



VN	VIETNAM
----	---------

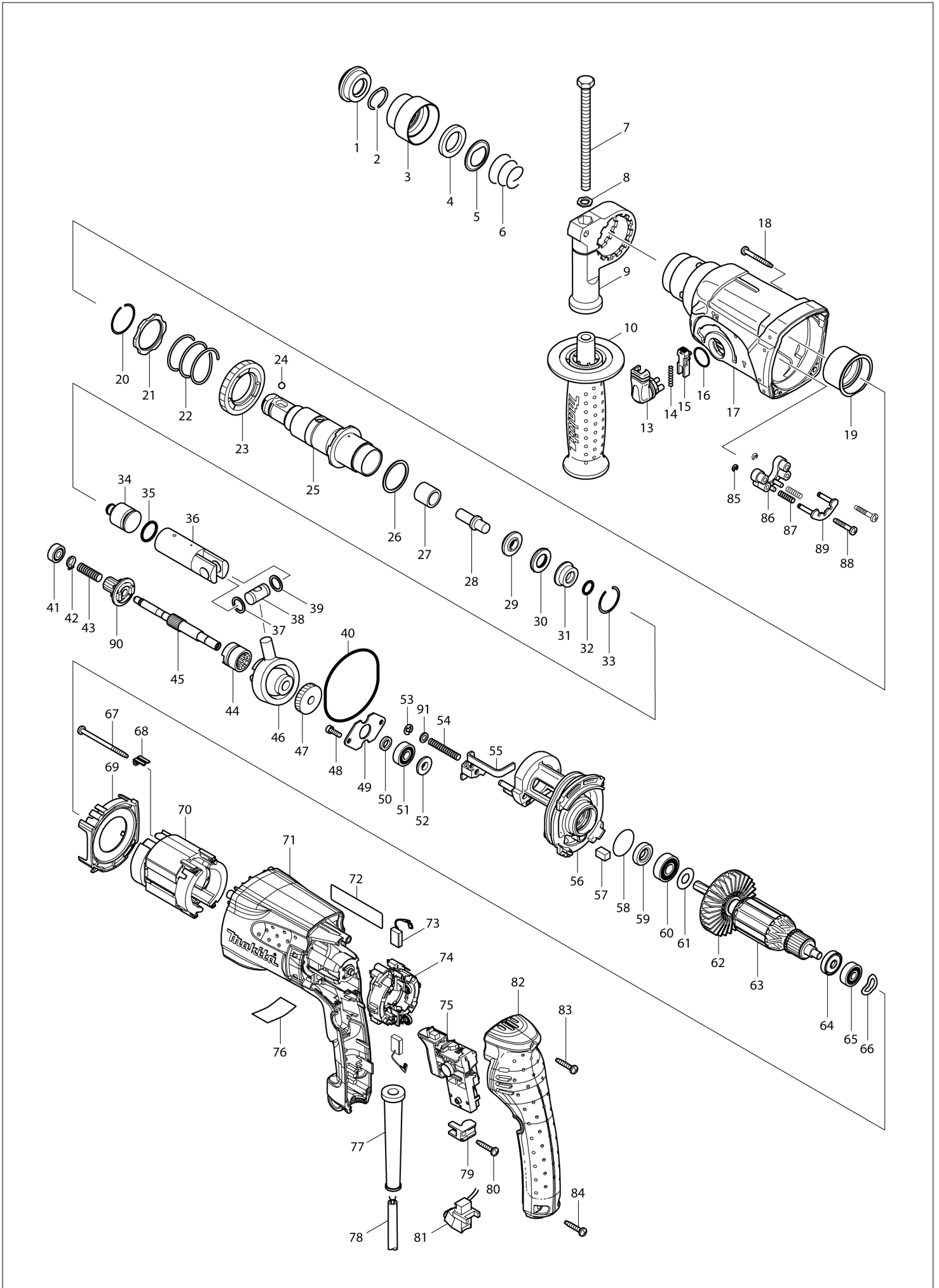
Diagram / Parts List

HR2470F

ROTARY HAMMER 24MM



(VN) HR2470F / ROTARY HAMMER 24MM



VN	VIETNAM
-----------	----------------

HR2470F / ROTARY HAMMER 24MM

Item	Sub	Parts No.	Parts Description	Qty	I/C	E/C No.	Close No.	Remark
001		286263-4	CAP 35	1				
002		233940-9	RING SPRING 19	1				
003		417629-9	CHUCK COVER	1				
004		257241-1	RING 21	1				
005		345187-4	GUIDE WASHER	1				
006		233916-6	CONICAL COMP. SPRING 21-29	1				
007		921923-8	HEX. BOLT M8X120	1				
008		345280-4	HEX. WASHER	1				
009		417630-4	GRIP BASE	1				
010		158057-6	GRIP 36 COMPLETE	1				
	C10	931402-8	HEX. NUT M8	1				
013		162245-9	CHANGE LEVER	1				
014		233459-8	COMPRESSION SPRING 3	1				
015		419192-8	LOCK BUTTON	1				
016		213278-8	O RING 17	1				
017		158216-2	GEAR HOUSING COMPLETE	1				
	C10	213965-9	OIL SEAL 25	1			86156	
	C11	213345-9	OIL SEAL 25	1	O	86156		
018		266351-3	TAPPING SCREW 4X35	4				
019		153290-5	NEEDLE BEARING COMPLETE	1				
020		233929-7	RING SPRING 29	1				
021		267791-8	WASHER 31	1			93381	
021-1		267460-1	WASHER 31	1	O	93381		
022		233401-9	COMPRESSION SPRING 32	1				
023		227109-5	SPUR GEAR 51	1				
024		216022-2	STEEL BALL 7.0	1				
025-1		158574-6	TOOL HOLDER COMPLETE	1				
026		267229-3	FLAT WASHER 28	1				
027		331769-8	SLEEVE 9	1				
028		324669-9	IMPACT BOLT	1				
029		324402-9	RING 10	1				
030		421955-0	CUSHION RING 13	1				
031		324216-6	O RING CASE	1				
032		213073-6	O RING 9	1				
033		233917-4	RING SPRING 28	1				
034		324733-6	STRIKER	1				
035		213227-5	O RING 16	1				
036		318132-2	PISTON CYLINDER	1				
037		267104-3	FLAT WASHER 12	1				
038		324215-8	PISTON JOINT	1				
039		267104-3	FLAT WASHER 12	1				
040		213727-5	O-RING 63	1				
041		211012-0	BALL BEARING 606ZZ	1			A3132	
041-1		210028-2	BALL BEARING 606ZZ	1	O	A3132		
042		961003-8	RETAINING RING S-7	1				
043		233343-7	COMPRESSION SPRING 7	1				
044		331768-0	CLUTCH CAM	1			94931	
044-1		331992-5	CLUTCH CAM	1	<	94931		
045		324668-1	CAM SHAFT	1				
046		219014-0	SWASH BEARING 10	1				
047		226656-3	HELICAL GEAR 26	1				
048		266273-7	HEX. SOCKET HEAD BOLT M4X12	2				
049		345179-3	BEARING RETAINER	1				
050		267234-0	FLAT WASHER 8	1				
051		211032-4	BALL BEARING 608ZZ	1			A3132	
051-1		210029-0	BALL BEARING 608ZZ	1	O	A3132		
052		324212-4	RING 8	1				
053		961011-9	STOP RING E-4	1				
054		233342-9	COMPRESSION SPRING 6	1				
055		345363-0	CHANGE PLATE	1				
056		158215-4	INNER HOUSING COMPLETE	1			93459	
056-1		141574-3	INNER HOUSING COMPLETE	1	S	93459		
057		443126-9	FELT	1			93459	
058		213407-3	O RING 26	1				
059		213077-8	OIL SEAL 10	1				

Interchange
O : Yes
X : No
< : the new part can be substituted for the current.
> : the current part can be substituted for the new.
S : Interchangeable as a set.

