



VN	VIETNAM
----	---------

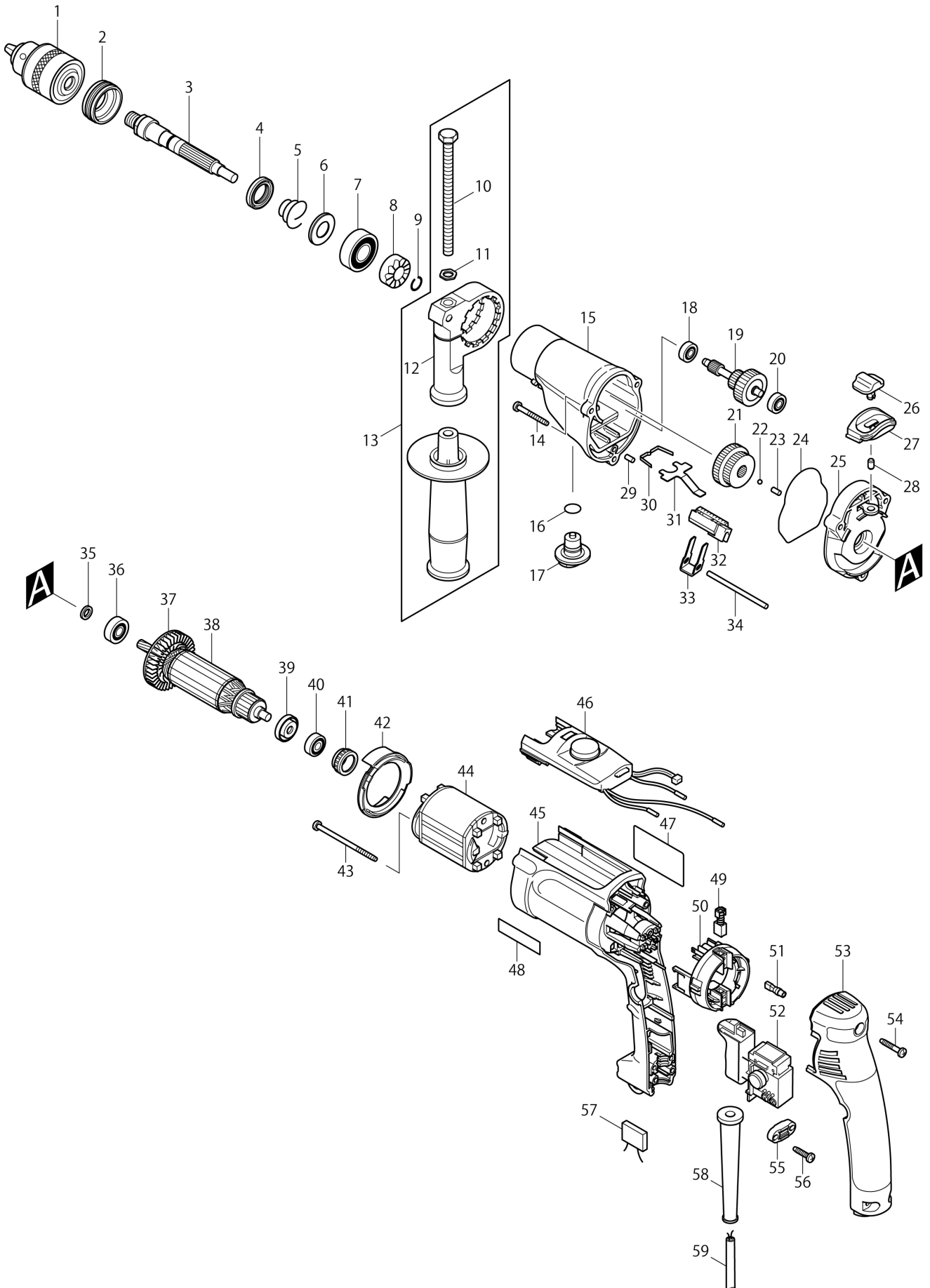
# Diagram / Parts List

**HP2070**

**2-SPEED HAMMER DRILL 20MM**



(VN) HP2070 / 2-SPEED HAMMER DRILL 20MM



<b>VN</b>	<b>VIETNAM</b>
-----------	----------------

### HP2070 / 2-SPEED HAMMER DRILL 20MM

Item	Sub	Parts No.	Parts Description	Qty	I/C	E/C No.	Close No.	Remark
001		193822-6	DRILL CHUCK S13	1				
	C10	763430-3	CHUCK KEY S13	1				
002		285839-4	BEARING RETAINER	1				
003		324247-5	SPINDLE	1				
004		213314-0	OIL SEAL 19	1				
005		233921-3	CONICAL COMPRESSION SPRING	1				
006		345224-4	CUP WASHER 15	1				
007		211206-7	BALL BEARING 6202LLB	1				
008		223141-7	CAM A	1				
009		233920-5	RING SPRING 11	1				
010		921923-8	HEX. BOLT M8X120	1				
011		345280-4	HEX. WASHER	1				
012		417630-4	GRIP BASE	1				
013		134943-5	GRIP 36 ASS'Y	1			86009	
	D10		INC. 10-12				86009	
013-1		135302-6	GRIP 36 ASS'Y	1	O	86009		
	D10		INC. 10-12			86009		
014		266053-1	TAPPING SCREW 4X35	3				
015		153621-8	GEAR HOUSING COMPLETE	1				
016		213122-9	O RING 12	1				
017		417805-5	CHANGE LEVER B	1				
018		211014-6	BALL BEARING 606	1			86244	
018-1		211012-0	BALL BEARING 606ZZ	1	O	86244		
019		153622-6	GEAR COMPLETE	1				
020		211014-6	BALL BEARING 606	1			86244	
020-1		211012-0	BALL BEARING 606ZZ	1	O	86244		
021-1		227119-2	SPUR GEAR 29-37	1				
022		216001-0	STEEL BALL 3.5	1				
023		256251-5	PIN 4	1				
024		421810-6	SEAL RING	1				
025		153620-0	GEAR HOUSING COVER COMPLETE	1				
026		418083-0	CHANGE LEVER A	1				
027		417802-1	LEVER CASE	1				
028		263002-9	RUBBER PIN 4	1				
029		256251-5	PIN 4	1				
030		232143-2	LEAF SPRING	1				
031		345225-2	LOCK PLATE	1				
032		417804-7	RACK 12	1				
033		345223-6	CHANGE PLATE B	1				
034		268092-7	PIN 4	1				
035		262087-2	RING 8	1			D6478	
035-1		257857-2	RING 8	1	<	D6478		
036		210005-4	BALL BEARING 608DDW	1				
037		240065-2	FAN 52	1				
038		517463-8	ARMATURE ASS'Y 220V	1				
	D10		INC. 35-37,39,40					
039		681636-0	INSULATION WASHER	1				
040		211021-9	BALL BEARING 607LLB	1				
041		421494-0	RUBBER RING 19	1				
042		418269-6	BAFFLE PLATE	1				
043		266004-4	TAPPING SCREW 4X70	2				
044		633573-4	FIELD 220-240V	1				
045		183657-3	MOTOR HOUSING	1				
	D10		INC. 48					
046		631534-8	CONTROLLER	1				
047		850576-5	NAME PLATE HP2070	1				
048		819063-3	MAKITA LABEL	1				
049		A-81284	CARBON BRUSH CB-419A	1			83185	
049-1		B-80086	CARBON BRUSH SET CB-419A	1	O	83185	85070	
049-2		B-80422	CARBON BRUSH SET CB-419A	1	<	85070		
050		638236-7	BRUSH HOLDER UNIT	1			74406	
050-1		638413-1	BRUSH HOLDER UNIT	1	O	74406		
051		686038-5	RECEPTACLE SLEEVE	2				
052		650212-1	SWITCH TG813TB-4	1				
053		418273-5	HANDLE COVER	1				

Interchange  
O : Yes  
X : No  
< : the new part can be substituted for the current.  
> : the current part can be substituted for the new.  
S : Interchangeable as a set.

