



| | |
|----|---------|
| VN | VIETNAM |
|----|---------|

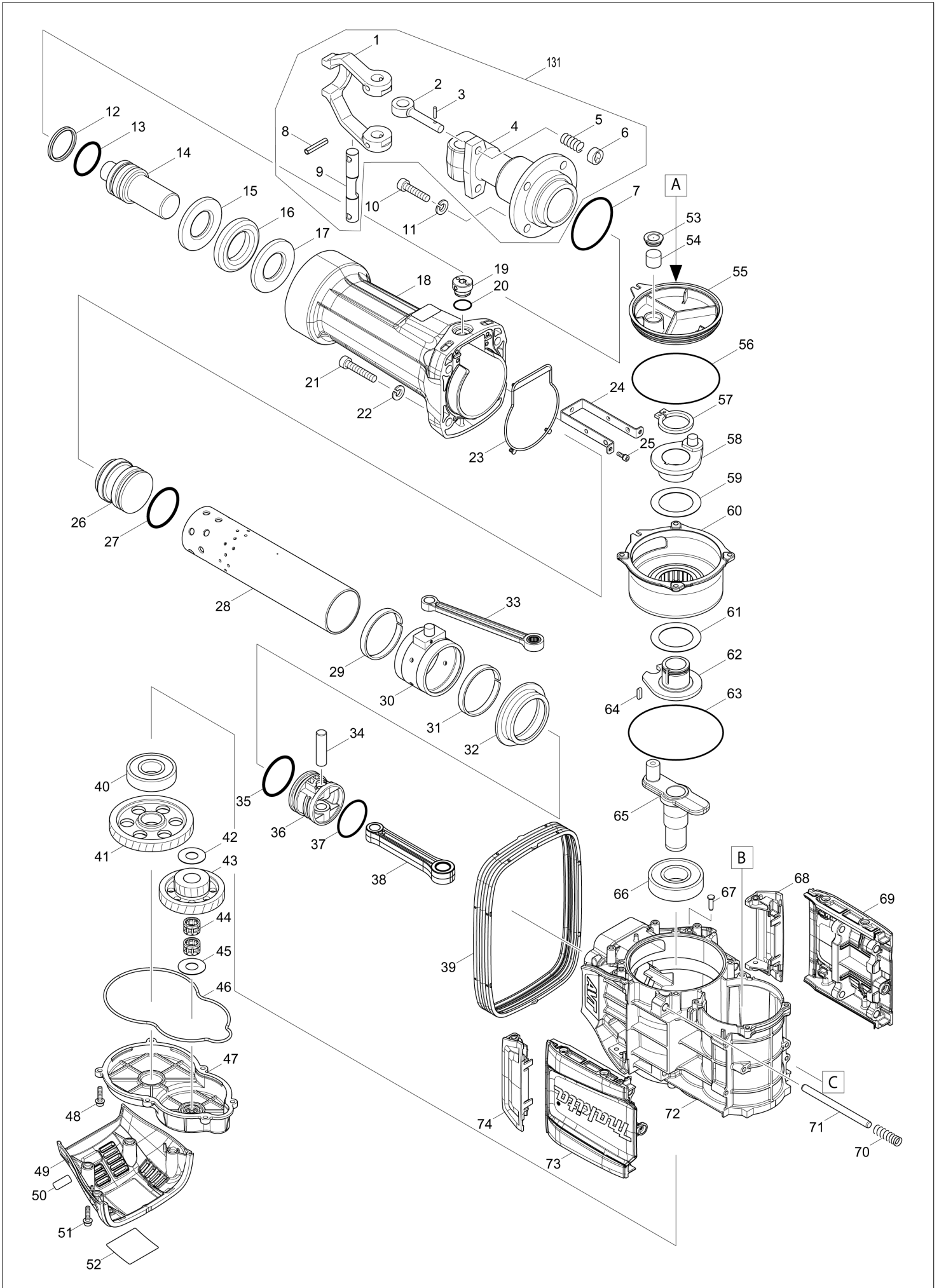
Diagram / Parts List

HM1812

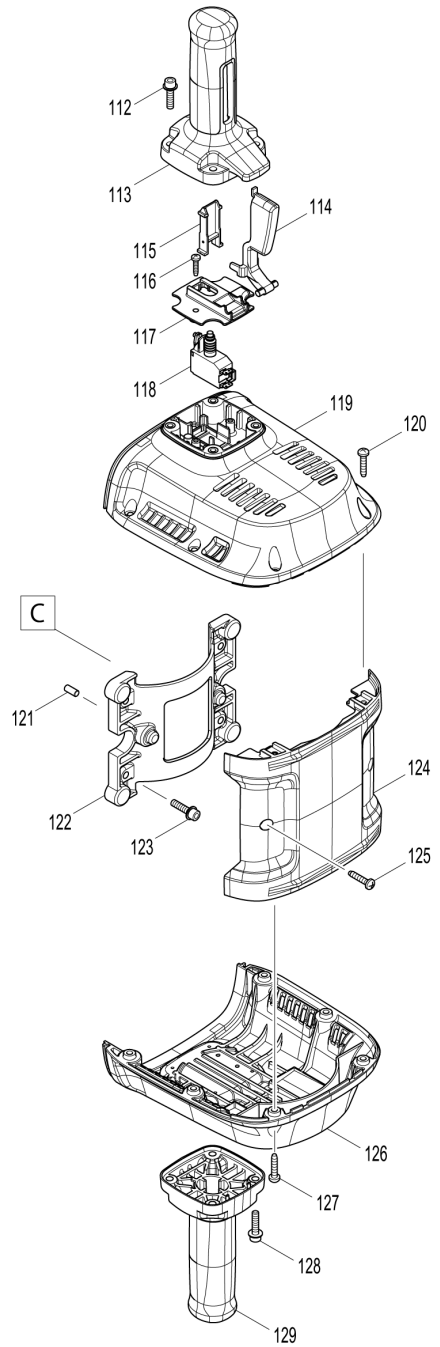
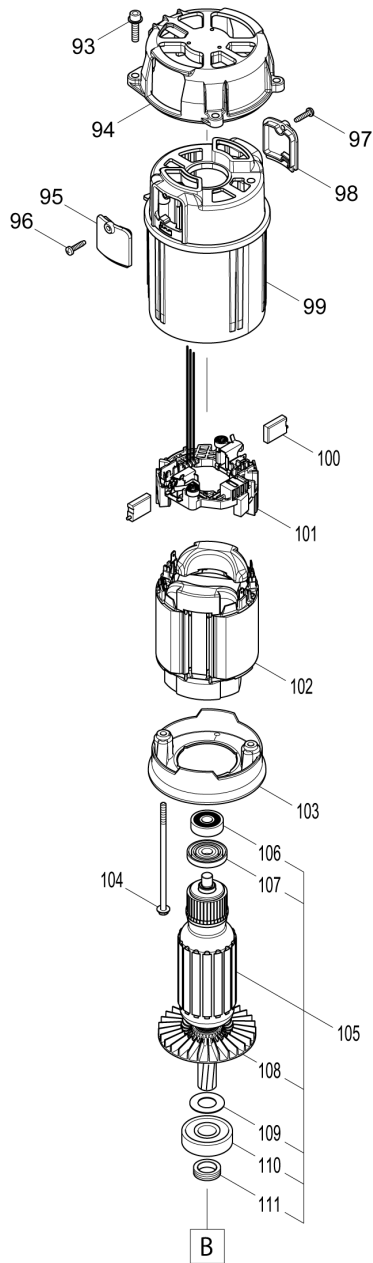
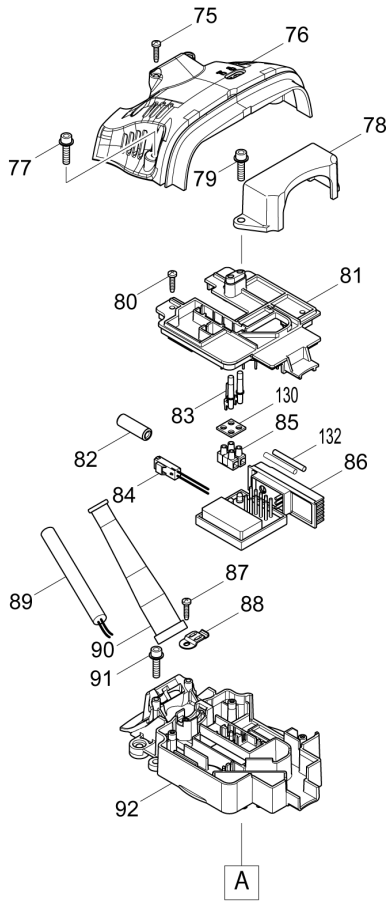
ELECTRIC BREAKER



(VN) HM1812 / ELECTRIC BREAKER



(VN) HM1812 / ELECTRIC BREAKER



| | |
|-----------|----------------|
| VN | VIETNAM |
|-----------|----------------|

HM1812 / ELECTRIC BREAKER

| Item | Sub | Parts No. | Parts Description | Qty | I/C | E/C No. | Close No. | Remark |
|-------|-----|-----------|-----------------------------|-----|-----|---------|-----------|--------|
| 001 | | 324236-0 | TOOL RETAINER | 1 | | | | |
| 002 | | 322477-2 | TOOL RETAINER POLE | 2 | | | | |
| 003 | | 256219-1 | PIN 4 | 2 | | | | |
| 004 | | 310616-6 | TOOL HOLDER 29 | 1 | | | | |
| 005 | | 233083-7 | COMPRESSION SPRING 12 | 2 | | | | |
| 006 | | 322560-5 | RETAINER RING | 2 | | | | |
| 007 | | 213757-6 | O RING 80 | 1 | | | | |
| 008 | | 951272-9 | SPRING PIN 8-40 | 2 | | | | |
| 009 | | 324238-6 | TOOL RETAINER SHAFT | 1 | | | | |
| 010 | | 265989-1 | HEX. SOCKET BOLT M12X45 | 4 | | | | |
| 011 | | 942301-9 | SPRING WASHER 12 | 4 | | | | |
| 012 | | 213797-4 | X-RING 47 | 1 | | | | |
| 013 | | 213798-2 | O-RING 47 | 1 | | | | |
| 014 | | 326469-3 | IMPACT BOLT | 1 | | | | |
| 015 | | 332127-1 | WASHER 42 | 1 | | | | |
| 016 | | 262174-7 | RUBBER RING 47 | 1 | | | | |
| 017 | | 332127-1 | WASHER 42 | 1 | | | | |
| 018 | | 319218-5 | BARREL | 1 | | | | |
| 019 | | 450347-6 | CAP | 1 | | | | |
| 020 | | 213953-6 | O RING 24 | 1 | | | | |
| 021 | | 922677-0 | HEX. SOCKET BOLT M12X55 | 4 | | | | |
| 022 | | 942301-9 | SPRING WASHER 12 | 4 | | | | |
| 023 | | 424666-6 | SEAL RING A | 1 | | | | |
| 024 | | 346840-5 | PLATE | 1 | | | | |
| 025 | | 266086-6 | HEX. SOCKET HEAD BOLT M5X16 | 2 | | | B1409 | |
| 025-1 | | 266071-9 | HEX. SOCKET HEAD BOLT M5X16 | 2 | O | B1409 | | |
| 026 | | 326470-8 | STRIKER | 1 | | | | |
| 027 | | 213799-0 | O-RING 56 | 1 | | | | |
| 028 | | 332130-2 | CYLINDER LINER 66 | 1 | | | | |
| 029 | | 455492-2 | SPACER 72 | 1 | | | | |
| 030 | | 123361-2 | BALANCER ASSEMBLY | 1 | | | | |
| | D10 | | INC. 29,31 | | | | | |
| 031 | | 455492-2 | SPACER 72 | 1 | | | | |
| 032 | | 332131-0 | SPACER | 1 | | | | |
| 033 | | 142922-9 | CONNECTING ROD COMPLETE | 1 | | | | |
| 034 | | 268328-4 | PIN 15 C | 1 | | | | |
| 035 | | 213799-0 | O-RING 56 | 1 | | | | |
| 036 | | 455509-1 | PISTON | 1 | | | | |
| 037 | | 213662-7 | O RING 55 | 1 | | | | |
| 038 | | 455490-6 | CONNECTING ROD | 1 | | | | |
| 039 | | 424669-0 | BELLOWS | 1 | | | | |
| 040 | | 211151-6 | BALL BEARING 6306LLB | 1 | | | | |
| 041 | | 227797-8 | HELICAL GEAR 57 | 1 | | | | |
| 042 | | 267290-0 | FLAT WASHER 18 | 1 | | | | |
| 043 | | 226834-5 | GEAR COMPLETE 23-59 | 1 | | | | |
| 044 | | 212099-5 | NEEDLE CAGE 1816 | 2 | | | | |
| 045 | | 267290-0 | FLAT WASHER 18 | 1 | | | | |
| 046 | | 424667-4 | SEAL RING B | 1 | | | | |
| 047 | | 455491-4 | GEAR COVER | 1 | | | | |
| 048 | | 266923-4 | H.S.HEAD BOLT M6X25 WITH GM | 6 | | | | |
| 049 | | 455500-9 | SIDE COVER B | 1 | | | | |
| 050 | | 850X57-3 | HM1812 SERIAL NO. LABEL | 1 | | | | |
| 051 | | 266923-4 | H.S.HEAD BOLT M6X25 WITH GM | 4 | | | | |
| 052 | | 850T96-9 | HM1812 NAME PLATE | 1 | | | | |
| 053 | | 424668-2 | FILTER CAP | 1 | | | | |
| 054 | | 443127-7 | FILTER | 1 | | | | |
| 055 | | 455493-0 | STOPPER | 1 | | | | |
| 056 | | 213810-8 | O-RING 124 | 1 | | | | |
| 057 | | 961156-3 | RETAINING RING S-40 | 1 | | | | |
| 058 | | 142921-1 | CRANK COMPLETE | 1 | | | | |
| 059 | | 267486-3 | FLAT WASHER 50 | 1 | | | | |
| 060 | | 142952-0 | CRANK BOX COMPLETE | 1 | | | | |
| 061 | | 267486-3 | FLAT WASHER 50 | 1 | | | | |
| 062 | | 310619-0 | COUNTER SHAFT | 1 | | | | |
| 063 | | 213902-3 | O RING 135 | 1 | | | | |

Interchange
O : Yes
X : No
< : the new part can be substituted for the current.
> : the current part can be substituted for the new.
S : Interchangeable as a set.

| | |
|-----------|----------------|
| VN | VIETNAM |
|-----------|----------------|

HM1812 / ELECTRIC BREAKER

| Item | Sub | Parts No. | Parts Description | Qty | I/C | E/C No. | Close No. | Remark |
|-------|-----|-----------|------------------------------|-----|-----|---------|-----------|--------|
| 064 | | 254220-0 | KEY 5 | 1 | | | | |
| 065 | | 310618-2 | CRANK SHAFT | 1 | | | | |
| 066 | | 211500-7 | BALL BEARING 6307LLU | 1 | | | | |
| 067 | | 256559-7 | FLAT FILLISTER HD PIN 6 | 4 | | | | |
| 068 | | 455506-7 | HANDLE C | 1 | | | | |
| 069 | | 455503-3 | CENTER COVER | 1 | | | | |
| 070 | | 234349-8 | COMPRESSION SPRING 12A | 4 | | | | |
| 071 | | 326471-6 | ROD 10 | 4 | | | | |
| 072 | | 142919-8 | CRANK HOUSING COMPLETE | 1 | | | | |
| 073 | | 455503-3 | CENTER COVER | 1 | | | | |
| 074 | | 455506-7 | HANDLE C | 1 | | | | |
| 075 | | 265995-6 | TAPPING SCREW 4X18 | 2 | | | | |
| 076 | | 455499-8 | SIDE COVER A | 1 | | | | |
| 077 | | 266923-4 | H.S.HEAD BOLT M6X25 WITH GM | 4 | | | | |
| 078 | | 455510-6 | BRACKET | 1 | | | | |
| 079 | | 266923-4 | H.S.HEAD BOLT M6X25 WITH GM | 2 | | | | |
| 080 | | 265995-6 | TAPPING SCREW 4X18 | 3 | | | | |
| 081 | | 455495-6 | CAP COVER | 1 | | | | |
| 083 | | 455514-8 | LENS | 1 | | | | |
| 084 | | 632E02-4 | LEAD UNIT | 1 | | | | |
| 085 | | 654531-7 | TERMINAL BLOCK 2P | 1 | | | | |
| 086 | | 620417-7 | CONTROLLER | 1 | | | | |
| 087 | | 265995-6 | TAPPING SCREW 4X18 | 1 | | | | |
| 088 | | 687169-3 | STRAIN RELIEF | 1 | | | | |
| 089 | | 691025-1 | POWER SUPPLY CORD 0.75-2-5.0 | 1 | | | | |
| 090 | | 682560-0 | CORD GUARD 10 | 1 | | | | |
| 091 | | 266923-4 | H.S.HEAD BOLT M6X25 WITH GM | 2 | | | | |
| 092 | | 455494-8 | CRANK HOUSING CAP | 1 | | | | |
| 093 | | 266923-4 | H.S.HEAD BOLT M6X25 WITH GM | 4 | | | | |
| 094 | | 319220-8 | BEARING BOX | 1 | | | | |
| 095 | | 455498-0 | BRUSH HOLDER COVER | 1 | | | | |
| 096 | | 265995-6 | TAPPING SCREW 4X18 | 1 | | | | |
| 097 | | 265995-6 | TAPPING SCREW 4X18 | 1 | | | | |
| 098 | | 455498-0 | BRUSH HOLDER COVER | 1 | | | | |
| 099 | | 455496-4 | MOTOR HOUSING | 1 | | | | |
| 100 | | 197128-4 | CARBON BRUSH CB-218 | 1 | | | | |
| 101 | | 632E01-6 | BRUSH HOLDER UNIT | 1 | | | C3891 | |
| 101-1 | | 632L58-9 | BRUSH HOLDER UNIT | 1 | < | C3891 | | |
| 102 | | 636408-8 | FIELD 220V | 1 | | | | |
| 103 | | 455497-2 | BAFFLE PLATE | 1 | | | | |
| 104 | | 266922-6 | + HEX. BOLT M5X120 WITH GM | 2 | | | | |
| 105 | | 517913-3 | ARMATURE ASS'Y 220V | 1 | | | | |
| | D10 | | INC. 106-111 | | | | | |
| 106 | | 211087-9 | BALL BEARING 6200DDW | 1 | | | | |
| 107 | | 681630-2 | INSULATION WASHER | 1 | | | | |
| 108 | | 240156-9 | FAN 90 | 1 | | | | |
| 109 | | 267487-1 | FLAT WASHER 17 | 1 | | | | |
| 110 | | 211152-4 | BALL BEARING 6303LLU | 1 | | | | |
| 111 | | 332129-7 | SEALING SCREW | 1 | | | | |
| 112 | | 266923-4 | H.S.HEAD BOLT M6X25 WITH GM | 4 | | | | |
| 113 | | 455504-1 | HANDLE A | 1 | | | | |
| 114 | | 455508-3 | SWITCH LEVER | 1 | | | | |
| 115 | | 455511-4 | SWITCH GUIDE | 1 | | | | |
| 116 | | 265995-6 | TAPPING SCREW 4X18 | 1 | | | | |
| 117 | | 455507-5 | SWITCH COVER | 1 | | | | |
| 118 | | 650738-3 | SWITCH C3JW-C-P | 1 | | | | |
| 119 | | 455502-5 | HANDLE BASE A | 1 | | | | |
| 120 | | 266041-8 | TAPPING SCREW 5X25 | 6 | | | | |
| 121 | | 256269-6 | PIN 6 | 2 | | | | |
| 122 | | 319222-4 | BASE | 1 | | | | |
| 123 | | 266923-4 | H.S.HEAD BOLT M6X25 WITH GM | 4 | | | | |
| 124 | | 455501-7 | HEAD COVER | 1 | | | | |
| 125 | | 266041-8 | TAPPING SCREW 5X25 | 2 | | | | |
| 126 | | 455512-2 | HANDLE BASE B | 1 | | | | |
| 127 | | 266041-8 | TAPPING SCREW 5X25 | 6 | | | | |

Interchange
O : Yes
X : No
< : the new part can be substituted for the current.
> : the current part can be substituted for the new.
S : Interchangeable as a set.

