



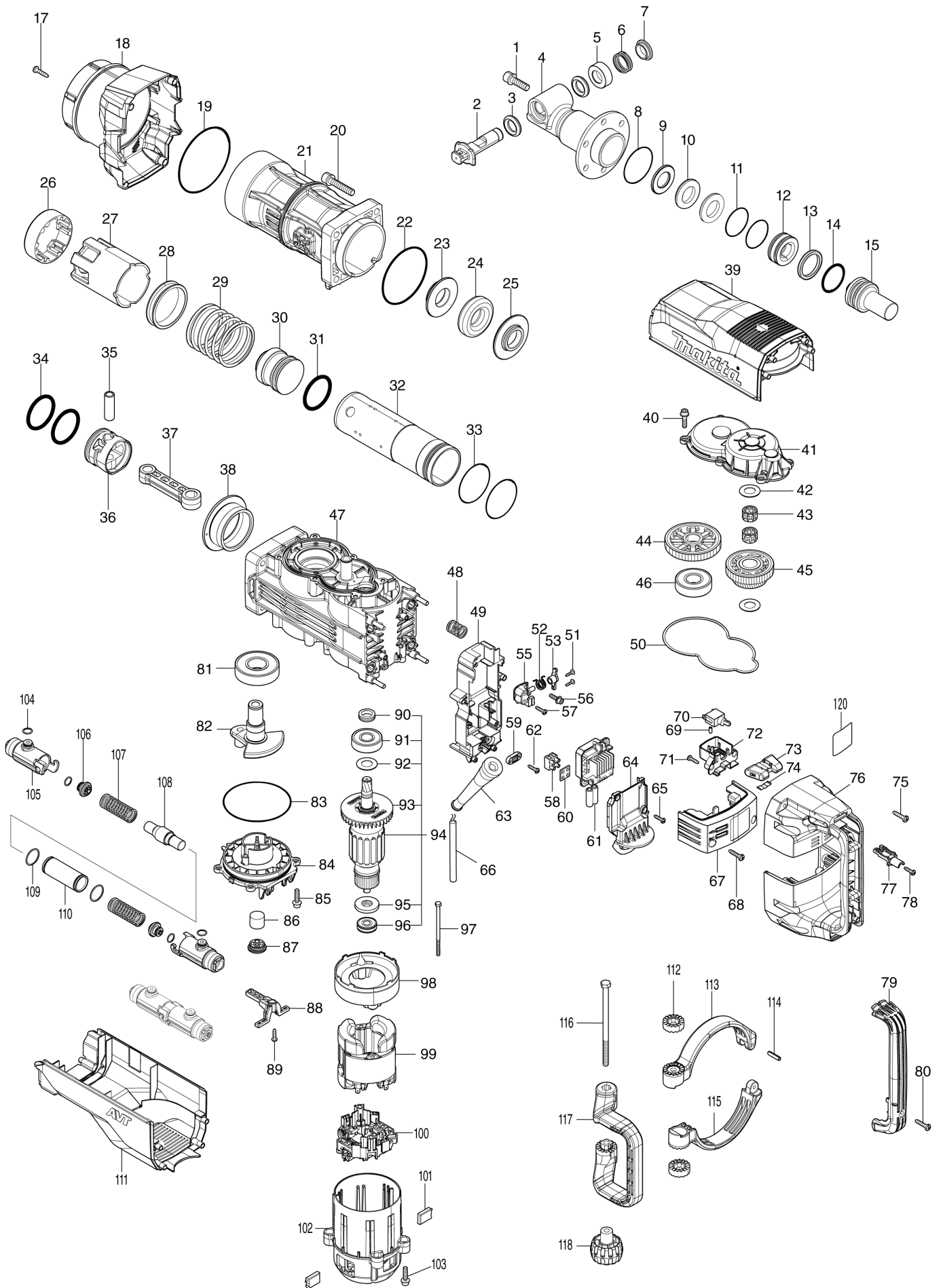
VN	VIETNAM
----	---------

# Diagram / Parts List

**HM1511**

**ELECTRIC BREAKER**

# (VN) HM1511 / ELECTRIC BREAKER



<b>VN</b>	<b>VIETNAM</b>
-----------	----------------

### HM1511 / ELECTRIC BREAKER

Item	Sub	Parts No.	Parts Description	Qty	I/C	E/C No.	Close No.	Remark
001		265B53-0	H.S HEAD BOLT M10X35 WM	6				
002		327671-1	TOOL RETAINER	1				
003		262197-5	RUBBER RING 20	2				
004		313322-2	TOOL HOLDER A	1				
005		327672-9	SPRING BASE B	1				
006		232641-6	COMPRESSION SPRING 28	1				
007		327670-3	RETAINER SLEEVE	1				
008		213670-8	O RING 58	1				
009		253487-7	FLAT WASHER 26	1				
010		262198-3	URETHANE RING 26	2			D8178	
010-1		262198-3	URETHANE RING 26	2	<	D8178		
011		213569-7	O RING 45	2				
012		327674-5	RING 24	1				
013		213911-2	X-RING 38	1				
014		213912-0	O-RING 40	1				
015		327668-0	IMPACT BOLT A	1				
017		266041-8	TAPPING SCREW 5X25	4				
018		412874-1	BARREL COVER	1				
019		213916-2	O-RING106	1				
020		265B55-6	H.S HEAD BOLT M10X50 WM	4				
021		313324-8	BARREL	1				
022		213806-9	O RING 90	1				
023		327667-2	SHOULDER RING 30 B	1				
024		262196-7	RUBBER RING 31	1				
025		327666-4	SHOULDER RING 30 A	1				
026		313321-4	GUIDE RING	1				
027		412859-7	SLIDE SLEEVE	1				
028		327664-8	SLEEVE 65	1				
029		232646-6	COMPRESSION SPRING 66	1				
030		327665-6	STRIKER	1				
031		213913-8	O-RING 48	1				
032		327662-2	CYLINDER 59	1				
033		213656-2	O RING 53	2				
034		213913-8	O-RING 48	2				
035		327663-0	PIPE 15	1				
036		412858-9	PISTON	1				
037		412857-1	CONNECTING ROD	1				
038		327661-4	SPACER	1				
039		412875-9	TOP COVER	1				
040		266923-4	H.S.HEAD BOLT M6X25 WITH GM	6				
041		413211-2	GEAR COVER	1				
042		267487-1	FLAT WASHER 17	2				
043		212230-3	NEEDLE CAGE 1715	2				
044		227832-2	HELICAL GEAR 53	1				
045		227833-0	GEAR COMPLETE 31-45	1				
046		210234-9	BALL BEARING 2216LLB	1				
047		140W38-2	CRANK HOUSING A COMPLETE	1				
048		232644-0	COMPRESSION SPRING 16 A	4				
049		412868-6	CONTROLLER CASE	1				
050		422636-9	SEAL RING	1				
051		263046-9	TAPPING SCREW 3X14	2				
052		232643-2	TORSION SPRING 13	1				
053		140W48-9	LEVER COMPLETE	1				
055		412871-7	BASE	1				
056		266903-0	HEX.S.HEAD BOLT M5X20 WITH WR	2				
057		265995-6	TAPPING SCREW 4X18	2				
058		654741-6	TERMINAL BLOCK	2				
059		687053-2	STRAIN RELIEF	1				
060		685756-2	RUBBER SHEET	2				
061		620E03-4	CONTROLLER	1				
062		265995-6	TAPPING SCREW 4X18	2				
063		682560-0	CORD GUARD 10	1				
064		412869-4	CORD COVER	1				
065		265995-6	TAPPING SCREW 4X18	4				
066		691025-1	POWER SUPPLY CORD 0.75-2-5.0	1				

Interchange  
O : Yes  
X : No  
< : the new part can be substituted for the current.  
> : the current part can be substituted for the new.  
S : Interchangeable as a set.

VN	VIETNAM
----	---------

### HM1511 / ELECTRIC BREAKER

Item	Sub	Parts No.	Parts Description	Qty	I/C	E/C No.	Close No.	Remark
067		140W49-7	CONTROLLER COVER COMPLETE	1				
068		266041-8	TAPPING SCREW 5X25	2				
069		263027-3	RUBBER PIN 4	1				
070		651423-1	SWITCH	1				
071		265995-6	TAPPING SCREW 4X18	2				
072		412878-3	SWITCH HOLDER	1				
073		451112-6	SLIDE LEVER	1				
074		232209-8	LEAF SPRING	1				
075		266041-8	TAPPING SCREW 5X25	8				
076		140W50-2	HANDLE COMPLETE	1				
	C10	263044-3	RUBBER PIN 6	4				
077		412879-1	SWITCH SUPPORT	1				
078		265995-6	TAPPING SCREW 4X18	1				
079		412880-6	HANDLE COVER	1				
080		266041-8	TAPPING SCREW 5X25	1				
081		210233-1	BALL BEARING 2818LLU	1				
082		327660-6	CRANK SHAFT	1				
083		213914-6	O-RING 100	1				
084		412862-8	CRANK CAP A	1				
085		266923-4	H.S.HEAD BOLT M6X25 WITH GM	4				
086		443127-7	FILTER	1				
087		424668-2	FILTER CAP	1				
088		412867-8	FILTER GUIDE	1				
089		265995-6	TAPPING SCREW 4X18	1				
090		332129-7	SEALING SCREW	1				
091		211152-4	BALL BEARING 6303LLU	1				
092		267487-1	FLAT WASHER 17	1				
093		240213-3	FAN 80	1				
094		515543-4	ARMATURE ASSY 220V	1				
	D10		INC. 90-93,95,96					
095		681630-2	INSULATION WASHER	1				
096		210232-3	BALL BEARING 6200DDW	1				
097		265B54-8	+ HEX BOLT M5X95 WITH GM	2				
098		412861-0	BUFFLE PLATE	1				
099		634748-8	FIELD 220V	1				
100		632R65-8	BRUSH HOLDER UNIT	1				
101		197128-4	CARBON BRUSH CB-218	1				
102		412860-2	MOTOR HOUSING	1				
103		266923-4	H.S.HEAD BOLT M6X25 WITH GM	4				
104		213058-2	O RING 10	8				
105		412865-2	PIPE HOLDER	4				
106		412866-0	SPRING GUIDE	4				
107		232642-4	COMPRESSION SPRING 18	4				
108		327679-5	COUNTER WEIGHT	2				
109		213915-4	O-RING 25	4				
110		327680-0	PIPE 22	2				
111		412876-7	REAR COVER A	1				
112		417002-3	SIDE HANDLE CAM	2				
113		312A28-5	SIDE HANDLE BASE A	1				
114		951166-8	SPRING PIN 5-24	1				
115		312A29-3	SIDE HANDLE BASE B	1				
116		265439-6	HEX. BOLT M8X150	1				
117		412881-4	SIDE HANDLE	1				
118		252640-2	WING NUT M8	1				
120		858C53-9	HM1511 NAME PLATE	1				
A01		D-15285	BULL POINT 400	1				
A02		821836-2	PLASTIC CARRYING CASE	1				
A03		8028F9-6	HM1511 PLASTIC CASE LABEL	2				

Interchange  
O : Yes  
X : No  
< : the new part can be substituted for the current.  
> : the current part can be substituted for the new.  
S : Interchangeable as a set.