



VN	VIETNAM
----	---------

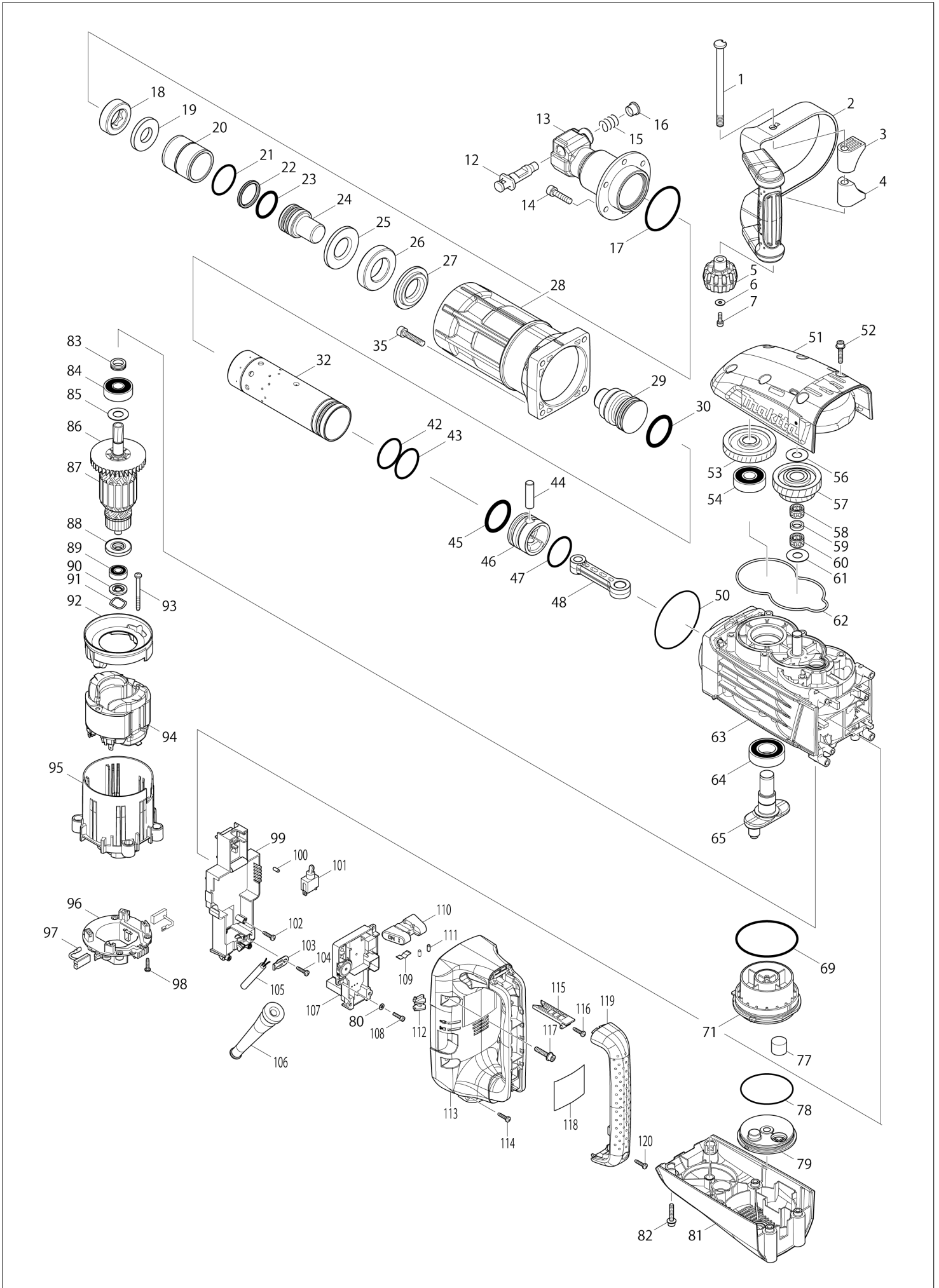
Diagram / Parts List

HM1307C

ELECTRIC BREAKER



(VN) HM1307C / ELECTRIC BREAKER



VN	VIETNAM
-----------	----------------

HM1307C / ELECTRIC BREAKER

Item	Sub	Parts No.	Parts Description	Qty	I/C	E/C No.	Close No.	Remark
001		266512-5	SET BOLT M10X142	1				
002		163506-0	SIDE HANDLE	1				
003		451331-4	HANDLE BASE	1				
004		451331-4	HANDLE BASE	1				
005		252654-1	THUMB NUT M10	1				
006		253194-2	FLAT WASHER 5	1				
007		922221-3	HEX. SOCKET HEAD BOLT M5X16	1				
012		324099-4	TOOL RETAINER	1				
013		331866-0	TOOL HOLDER	1				
014		266011-7	HEX. SOCKET HEAD BOLT M8X35	6				
015		233309-7	COMPRESSION SPRING 17	1				
016		324135-6	RETAINER SLEEVE	1				
017		213720-9	O RING 67	1				
018		262150-1	URETHAN RING	1				
019		267401-7	FLAT WASHER 24	1				
020		257782-7	SLEEVE 43	1				
021		213569-7	O RING 45	1				
022		213192-8	X-RING 36	1				
023		213150-4	O-RING 36	1				
024		325682-0	IMPACT BOLT	1				
025		325683-8	WASHER 30	1				
026		424206-0	RUBBER RING 36	1				
027		325684-6	SHOULDER RING 32	1				
028		318458-2	BARREL	1				
029		325685-4	STRIKER	1				
030		213193-6	O-RING 42	1				
032		331870-9	CYLINDER 52	1				
035		265367-5	HEX. SOCKET HEAD BOLT M8X40	4				
042		213569-7	O RING 45	1				
043		213569-7	O RING 45	1				
044		256238-7	PIN 12	1				
045		213193-6	O-RING 42	1				
046		318459-0	PISTON	1				
047		213569-7	O RING 45	1				
048		451164-7	CONNECTING ROD	1			Y07271	
048-1		451164-7	CONNECTING ROD	1	S	Y07271		
050		213806-9	O RING 90	1				
051		318462-1	GEAR COVER	1				
052		266499-1	H.S HEAD BOLT M6X30 WITH GM	6				
053		227709-1	HELICAL GEAR 47	1				
054		211306-3	BALL BEARING 6204LLB	1				
056		267166-1	FLAT WASHER 14	1				
057		226156-3	GEAR COMPLETE 31-43	1				
058		212159-3	NEEDLE CAGE 1412	1				
059		262157-7	NYLON RING 14	1				
060		212159-3	NEEDLE CAGE 1412	1				
061		267166-1	FLAT WASHER 14	1				
062		424207-8	SEAL RING	1				
063		140060-1	CRANK HOUSING COMPLETE	1				
064		211373-8	BALL BEARING 6205LLU	1				
065		331871-7	CRANK SHAFT	1			Y07271	
065-1		331871-7	CRANK SHAFT	1	S	Y07271		
069		213809-3	O RING 87	1				
071		451170-2	CRANK CAP	1				
077		443127-7	FILTER	1				
078		213758-4	O RING 74	1				
079		451166-3	CRANK CAP COVER	1				
080		941051-3	FLAT WASHER 4	2			91793	
080-1		346546-5	PLATE	2	X	91793	99132	
081		451171-0	REAR COVER	1				
082		266499-1	H.S HEAD BOLT M6X30 WITH GM	6				
083		331855-5	SEALING SCREW	1				
084		211249-9	BALL BEARING 6302LLU	1				
085		267397-2	FLAT WASHER 15	1				
086		240003-4	FAN 80	1				

Interchange
O : Yes
X : No
< : the new part can be substituted for the current.
> : the current part can be substituted for the new.
S : Interchangeable as a set.

VN	VIETNAM
-----------	----------------

HM1307C / ELECTRIC BREAKER

Item	Sub	Parts No.	Parts Description	Qty	I/C	E/C No.	Close No.	Remark
087		517788-0	ARMATURE ASSEMBLY 220-240V	1				
	D10		INC. 84-86,88,89					
088		681642-5	INSULATION WASHER	1				
089		210059-1	BALL BEARING 6000DDW	1				
090		451107-9	WASHER GUIDE	1				
091		267809-5	WAVE WASHER 19	1				
092		451111-8	BAFFLE PLATE	1				
093		266044-2	TAPPING SCREW 5X60	2				
094		636333-3	FIELD 220-240V	1				
095		451117-6	MOTOR HOUSING	1				
096		638447-4	BRUSH HOLDER UNIT	1			A4072	
096-1		632D00-2	BRUSH HOLDER UNIT	1	<	A4072		
097		194990-8	CARBON BRUSH CB-171	1			92823	
097-1		195845-0	CARBON BRUSH CB-175	1	O	92823		
098		265995-6	TAPPING SCREW 4X18	4				
099		158986-3	CONTROLLER COVER COMPLETE	1			91793	
099-1		158986-3	CONTROLLER COVER COMPLETE	1	S	91793		
100		263027-3	RUBBER PIN 4	1				
101		651423-1	SWITCH	1				
102		265995-6	TAPPING SCREW 4X18	2				
103		687169-3	STRAIN RELIEF	1				
104		265995-6	TAPPING SCREW 4X18	1				
105		691025-1	POWER SUPPLY CORD 0.75-2-5.0	1				
106		682560-0	CORD GUARD 10	1				
107		631917-2	CONTROLLER	1			91793	
107-1		631917-2	CONTROLLER	1	S	91793	99132	
107-2		620228-0	CONTROLLER	1	S	99132		
108		265490-6	HEX. SOCKET HEAD BOLT M4X16	2			99132	
108-1		266834-3	H.S.H.BOLT M4X18 WITH GM	2	S	99132		
109		232209-8	LEAF SPRING	1				
110		451112-6	SLIDE LEVER	1				
111		263027-3	RUBBER PIN 4	2				
112		451105-3	LENS	1				
113		451118-4	HANDLE	1				
114		265995-6	TAPPING SCREW 4X18	1				
115		451106-1	SWITCH LEVER	1				
116		265995-6	TAPPING SCREW 4X18	1				
117		266499-1	H.S HEAD BOLT M6X30 WITH GM	4				
118		867304-1	HM1307C NAME PLATE	1				
119		451119-2	HANDLE COVER	1				
120		265995-6	TAPPING SCREW 4X18	2				
121		442180-0	BOTH SIDE ADHESIVE TAPE	1	S	91793	99132	
122		126094-8	CONTROLLER ASSEMBLY	1		91793	93668	
	D10		INC. 99,102,107,121			91793	93668	
122-1		141802-6	CONTROLLER ASSEMBLY	1	<	93668	99132	
	D10		INC. 99,102,107,121			93668	99132	
A01-1		D-15285	BULL POINT 400	1				
A02		824898-9	PLASTIC CARRYING CASE	1				
	C10	162271-8	LATCH	2				
A03		809556-8	HM1307C PLASTIC CASE LABEL	2				

Interchange
O : Yes
X : No
< : the new part can be substituted for the current.
> : the current part can be substituted for the new.
S : Interchangeable as a set.