



VN	VIETNAM
----	---------

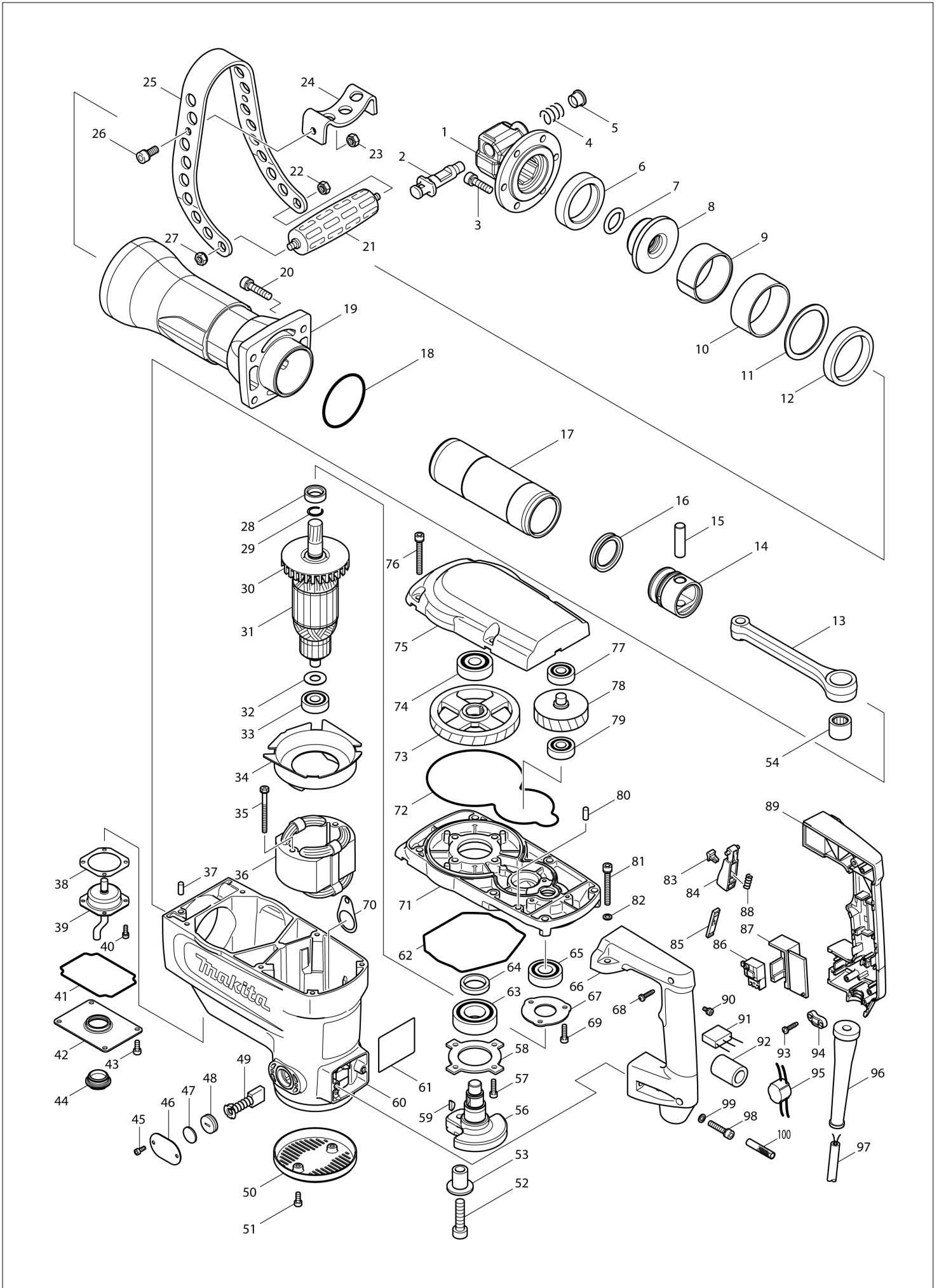
# Diagram / Parts List

**HM1306**

**DEMOLITION HAMMER**



# (VN) HM1306 / DEMOLITION HAMMER



<b>VN</b>	<b>VIETNAM</b>
-----------	----------------

### HM1306 / DEMOLITION HAMMER

Item	Sub	Parts No.	Parts Description	Qty	I/C	E/C No.	Close No.	Remark
001		324820-1	TOOL HOLDER	1			B4867	
001-1		326768-3	TOOL HOLDER	1	<	B4867		
002		324099-4	TOOL RETAINER	1			81063	
002-1		324942-7	TOOL RETAINER	1	S	81063		
003		266010-9	HEX. SOCKET HEAD BOLT M8X30	6			C3313	
003-1		265691-6	HEX. SOCKET HEAD BOLT M8X30	6	<	C3313		
004		233309-7	COMPRESSION SPRING 17	1			82166	
004-1		233309-7	COMPRESSION SPRING 17	1	O	82166		
005		324135-6	RETAINER SLEEVE	1				
006		262137-3	URETHANE RING 49	1				
007		213388-1	O RING 24	1				
008		324821-9	SEAL HOLDER	1				
009		324824-3	IDLER	1				
010		262536-9	RUBBER SLEEVE 64	1				
011		267146-7	FLAT WASHER 58	1				
012		262068-6	URETHANE RING 59	1				
013		324832-4	CONNECTING ROD	1				
014		318193-2	PISTON	1				
015		256238-7	PIN 12	1				
016		213494-2	Y RING 34	1				
017		324822-7	HAMMER	1				
018		213701-3	O RING 65	1				
019		318190-8	BARREL	1			B4996	
019-1		319478-9	BARREL	1	S	B4996		
020		266011-7	HEX. SOCKET HEAD BOLT M8X35	4			B4996	
020-1		265367-5	HEX. SOCKET HEAD BOLT M8X40	4	S	B4996	C3313	
020-2		265692-4	HEX. SOCKET HEAD BOLT M8X40	4	<	C3313		
021		273518-6	GRIP 37	1				
022		252005-8	HEX. NUT M8-13	1				
023		252005-8	HEX. NUT M8-13	2				
024		345474-1	HANDLE CLAMP	1				
025		345473-3	SIDE HANDLE	1				
026		922431-2	HEX. SOCKET HEAD BOLT M8X20	2				
027		252005-8	HEX. NUT M8-13	1				
028		257260-7	RING 17	1				
029		233933-6	RING SPRING 15	1				
030		241870-0	FAN 80	1				
031		517773-3	ARMATURE ASS'Y 220V	1				
	D10		INC. 30,32,33					
032		267024-1	FLAT WASHER 12	1				
033		211106-1	BALL BEARING 6201LLB	1				
034		418790-5	BAFFLE PLATE	1				
035		265345-5	+ HEX. BOLT M5X60	2				
036		526143-5	FIELD ASS'Y 220V	1			A2979	
	C10	654197-3	RING TERMINAL	2			A2979	
	C20	654502-4	CONNECTOR P-2	2			A2979	
	C30	683381-3	VARNISHED POLYESTER TUBE	2			A2979	
	D10		INC. 70				A2979	
036-1		526233-4	FIELD ASS'Y 220V	1	<	A2979		
	C10	654197-3	RING TERMINAL	2		A2979		
	C20	654502-4	CONNECTOR P-2	2		A2979		
	C30	683381-3	VARNISHED POLYESTER TUBE	2		A2979		
	D10		INC. 70			A2979		
037		256111-1	PIN 6	1				
038		442139-7	HOLDER SEAL	1				
039		158388-3	FELT COMPLETE	1				
040		922116-0	HEX. SOCKET HEAD BOLT M4X12	4				
041		424053-9	SEAL RING C	1				
042		158538-0	OIL TANK COVER COMPLETE	1				
	C10	812124-8	OIL INDICATION LABEL	1				
043		265903-7	HEX. SOCKET HEAD BOLT M5X12	4				
044		242502-2	OIL GAUGE	1				
045		266167-6	HEX. SOCKET HEAD BOLT M4X10	4				
046		344975-6	HOLDER CAP PLATE	2				
047		421034-4	CAP RUBBER	2				

Interchange  
O : Yes  
X : No  
< : the new part can be substituted for the current.  
> : the current part can be substituted for the new.  
S : Interchangeable as a set.

<b>VN</b>	<b>VIETNAM</b>
-----------	----------------

### HM1306 / DEMOLITION HAMMER

Item	Sub	Parts No.	Parts Description	Qty	I/C	E/C No.	Close No.	Remark
048		643700-5	BRUSH HOLDER CAP 7-18	2				
049		A-81337	CARBON BRUSH CB-204A	1			83185	
049-1		B-80145	CARBON BRUSH SET CB-204A	1	O	83185	85070	
049-2		B-80357	CARBON BRUSH SET CB-204A	1	<	85070		
050		284067-8	REAR COVER	1			B6957	
050-1		347080-8	REAR COVER	1	<	B6957		
051		265903-7	HEX. SOCKET HEAD BOLT M5X12	2				
052		266276-1	HEX.SOCKET HEAD BOLT M10X40	1			C3313	
052-1		265693-2	HEX.SOCKET HEAD BOLT M10X40	1	<	C3313		
053		331792-3	CRANK SLEEVE	1				
054		212263-8	NEEDLE ROLLER BEARING 1820	1				
056		324823-5	CRANK SHAFT	1				
057		265853-6	HEX. SOCKET HEAD BOLT M5X18	4				
058		285730-6	BEARING RETAINER 65	1				
059		254001-2	WOODRUFF KEY 4	2				
060		158386-7	MOTOR HOUSING COMPLETE	1			C3313	
	C10	643713-6	BRUSH HOLDER	2			C3313	
060-1		140F52-6	MOTOR HOUSING COMPLETE	1	<	C3313		
	C10	643713-6	BRUSH HOLDER	2		C3313		
061		864243-6	HM1306 NAME PLATE	1				
062		424048-2	SEAL RING A	1				
063		211373-8	BALL BEARING 6205LLU	1				
064		257286-9	RING 25	1				
065		211281-3	BALL BEARING 6203LLU	1				
066		188387-1	HANDLE SET	1				
	D10		INC. 89					
067		285729-1	BEARING RETAINER 48	1				
068		265995-6	TAPPING SCREW 4X18	3				
069		265853-6	HEX. SOCKET HEAD BOLT M5X18	3				
070		681018-6	PAPER WASHER	2				
071		318191-6	GEAR HOUSING	1				
072		424049-0	SEAL RING B	1				
073		226671-7	HELICAL GEAR 65	1				
074		211211-4	BALL BEARING 6302LLB	1				
075		318192-4	GEAR HOUSING COVER	1				
076		266304-2	HEX. SOCKET HEAD BOLT M6X50	4				
077		211107-9	BALL BEARING 6201ZZ	1				
078		158387-5	HELICAL GEAR 37 COMPLETE	1				
079		211107-9	BALL BEARING 6201ZZ	1				
080		256111-1	PIN 6	1				
081		266304-2	HEX. SOCKET HEAD BOLT M6X50	2				
082		941152-7	FLAT WASHER 6	2				
083		415805-9	LOCK BUTTON	1				
084		417544-7	SWITCH LEVER	1				
085		415806-7	LOCK PLATE	1				
086		651922-3	SWITCH TG71B	1			96325	
086-1		650677-7	SWITCH C3PA-1112	1	<	96325	A3631	
086-2		650677-7	SWITCH C3PA-1112	1	X	A3631		
087		421778-6	SWITCH BOX	1				
088		231457-6	COMPRESSION SPRING 3	1				
089		188387-1	HANDLE SET	1				
	D10		INC. 66					
090		652014-1	PAN HEAD SCREW M4X8	1				
093		265995-6	TAPPING SCREW 4X18	2				
094		687053-2	STRAIN RELIEF	1				
096		682560-0	CORD GUARD 10	1				
097		691157-4	POWER SUPPLY CORD 0.75-3-5.0	1				
098		266158-7	HEX. SOCKET HEAD BOLT M6X30	2				
099		941152-7	FLAT WASHER 6	2				
100		683607-3	VARNISHED POLYESTER TUBE 8-40	1				
101		213218-6	O RING 16	1	S	81063		
A01		181118-7	OIL SUPPLY 100CC	1				
A02		781012-9	WRENCH 23	1				
A03		798029-5	BULL POINT 30-410	1				
A04		188483-5	STEEL CARRYING CASE SET	1				

Interchange  
O : Yes  
X : No  
< : the new part can be substituted for the current.  
> : the current part can be substituted for the new.  
S : Interchangeable as a set.

