



VN	VIETNAM
----	---------

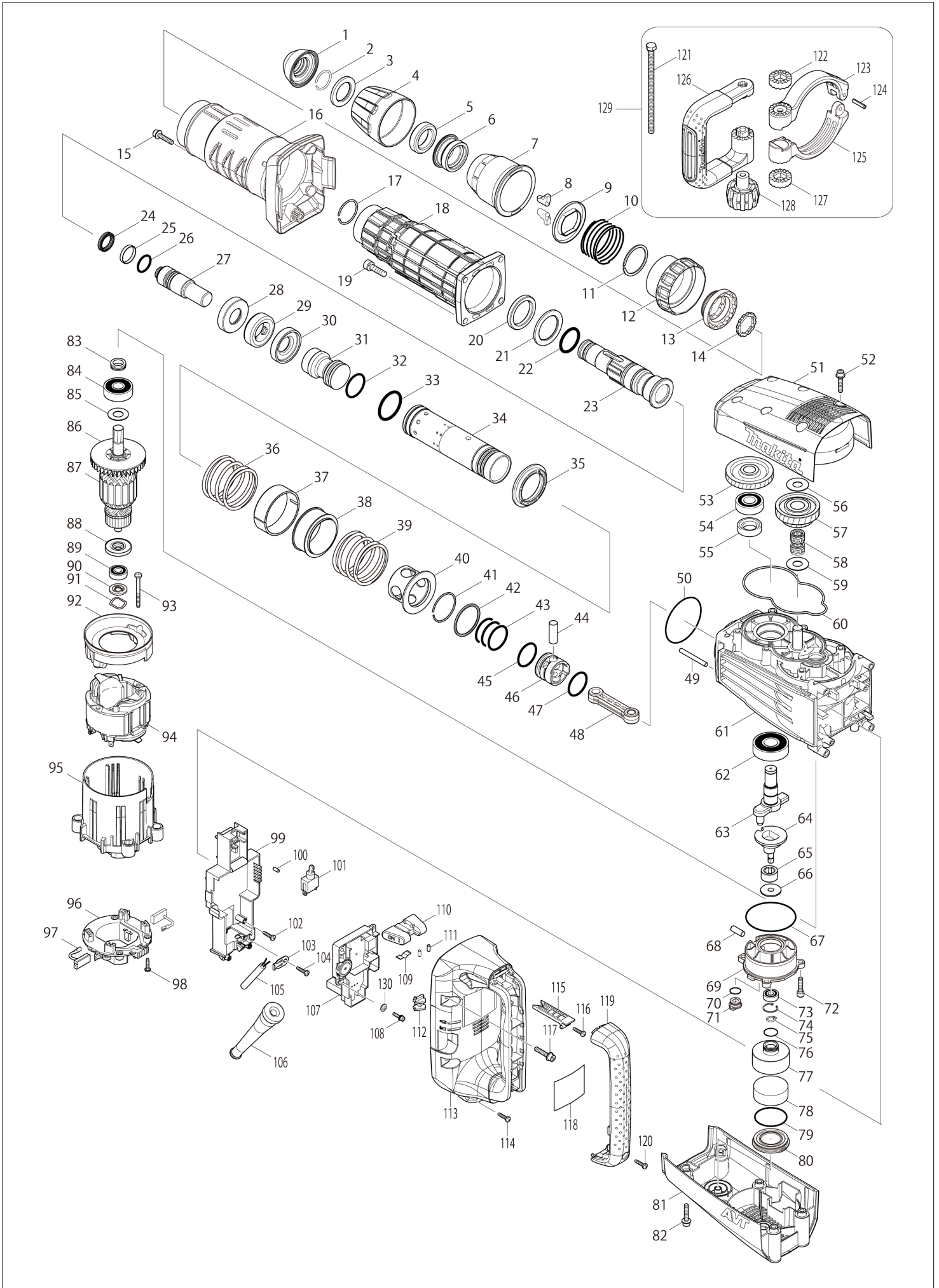
# Diagram / Parts List

**HM1214C**

**DEMOLITION HAMMER**



# (VN) HM1214C / DEMOLITION HAMMER



<b>VN</b>	<b>VIETNAM</b>
-----------	----------------

### HM1214C / DEMOLITION HAMMER

Item	Sub	Parts No.	Parts Description	Qty	I/C	E/C No.	Close No.	Remark
001		424165-8	TOOL HOLDER CAP	1				
002		233973-4	RING SPRING 26	1				
003		267386-7	FLAT WASHER 30	1				
004		450894-7	CHUCK COVER	1				
005		262147-0	RUBBER RING 30	1				
006		324987-5	CHUCK RING	1				
007		450895-5	RELEASE COVER	1				
008		310279-8	TOOL RETAINER	2				
009		346015-6	SPRING GUIDE	1				
010		234086-4	COMPRESSION SPRING 56	1				
011		961232-3	RETAINING RING WR-45	1				
012		450893-9	CHANGE RING COVER	1				
013		324969-7	CHANGE RING	1				
014		324988-3	LOCK RING	1				
015		266499-1	H.S HEAD BOLT M6X30 WITH GM	1				
016		451113-4	BARREL COVER	1				
017		233970-0	RING SPRING 35	1				
018		158984-7	BARREL COMPLETE	1			95422	
018-1		141786-8	BARREL COMPLETE	1	<	95422		
019		266010-9	HEX. SOCKET HEAD BOLT M8X30	4				
020		262148-8	RUBBER RING 39	1				
021		267387-5	FLAT WASHER 39	1				
022		213079-4	O-RING 35.5	1				
023		324985-9	TOOL HOLDER	1				
024		213980-3	X-RING 21	1				
025		213431-6	FLUORIDE RING 28	1				
026		213394-6	O RING 23	1				
027		325681-2	IMPACT BOLT	1				
028		324993-0	SHOULDER SLEEVE	1				
029		262149-6	RUBBER RING 24	1				
030		324993-0	SHOULDER SLEEVE	1				
031		325680-4	STRIKER	1				
032		213499-2	O-RING 31.5	1				
033		213581-7	O-RING 44	1				
034		331856-3	CYLINDER 40	1				
035		451110-0	CYLINDER GUIDE	1				
036		234107-2	COMPRESSION SPRING 58	1				
037		451103-7	WEIGHT GUIDE	1				
038		331854-7	COUNTER WEIGHT	1				
039		234107-2	COMPRESSION SPRING 58	1				
040		325661-8	SLIDE SLEEVE	1				
041		231985-1	RING SPRING 43	1				
042		257297-4	RING 45	1				
043		213510-0	O RING 36	3				
044		268121-6	PIN 12	1				
045		213499-2	O-RING 31.5	1				
046		450961-8	PISTON	1				
047		213149-9	O RING 35	1				
048		450890-5	CONNECTING ROD	1				
049		268235-1	PIN 6	1				
050		213754-2	O RING 71	1				
051		451115-0	GEAR COVER	1				
052		266499-1	H.S HEAD BOLT M6X30 WITH GM	6				
053		226699-5	HELICAL GEAR 52	1				
054		211256-2	BALL BEARING 6203LLB	1			86025	
054-1		211290-2	BALL BEARING 6203ZZ	1	O	86025		
055		213313-2	OIL SEAL 20	1				
056		267166-1	FLAT WASHER 14	1				
057		226155-5	GEAR COMPLETE 34-48	1				
058		212159-3	NEEDLE CAGE 1412	2				
059		267166-1	FLAT WASHER 14	1				
060		424196-7	SEAL RING	1				
061		158983-9	CRANK HOUSING COMPLETE	1				
062		211327-5	BALL BEARING 6304LLU	1				
063		325659-5	CRANK SHAFT	1				

Interchange  
O : Yes  
X : No  
< : the new part can be substituted for the current.  
> : the current part can be substituted for the new.  
S : Interchangeable as a set.

<b>VN</b>	<b>VIETNAM</b>
-----------	----------------

### HM1214C / DEMOLITION HAMMER

Item	Sub	Parts No.	Parts Description	Qty	I/C	E/C No.	Close No.	Remark
064		325660-0	COUNTER SHAFT	1				
065		212225-6	NEEDLE BEARING 1613	1				
066		325662-6	SHOULDER WASHER 8	1				
067		213754-2	O RING 71	1				
068		268222-0	PIN 8	1				
069		158985-5	BEARING BOX COMPLETE	1				
070		213176-6	O RING 14	1				
071		451104-5	GREASE CAP	1				
072		266087-4	HEX.BOLT M6X25	3				
073		211032-4	BALL BEARING 608ZZ	1			D0926	
073-1		210223-4	BALL BEARING 608ZZ	1	O	D0926		
074		962112-6	RETAINING RING R-22	1				
075		961004-6	RETAINING RING S-8	1				
076		213262-3	O RING 18	1				
077		451108-7	FILTER CASE	1				
078		443147-1	FILTER	1				
079		213569-7	O RING 45	1				
080		451109-5	FILTER CASE COVER	1				
081		451116-8	REAR COVER	1				
082		266499-1	H.S HEAD BOLT M6X30 WITH GM	6				
083		331855-5	SEALING SCREW	1				
084		211249-9	BALL BEARING 6302LLU	1				
085		267397-2	FLAT WASHER 15	1				
086		240003-4	FAN 80	1				
087		517838-1	ARMATURE ASSEMBLY 220-240V	1				
	D10		INC. 84-86,88,89					
088		681642-5	INSULATION WASHER	1				
089		210059-1	BALL BEARING 6000DDW	1				
090		451107-9	WASHER GUIDE	1				
091		267809-5	WAVE WASHER 19	1				
092		451111-8	BAFFLE PLATE	1				
093		266095-5	TAPPING SCREW 5X55	2				
094		636303-2	FIELD 220-240V	1				
095		451117-6	MOTOR HOUSING	1				
096		638447-4	BRUSH HOLDER UNIT	1			A4072	
096-1		632D00-2	BRUSH HOLDER UNIT	1	<	A4072		
097		194990-8	CARBON BRUSH CB-171	1			92823	
097-1		195845-0	CARBON BRUSH CB-175	1	O	92823		
098		265995-6	TAPPING SCREW 4X18	4				
099		158986-3	CONTROLLER COVER COMPLETE	1			91793	
099-1		158986-3	CONTROLLER COVER COMPLETE	1	S	91793		
100		263027-3	RUBBER PIN 4	1				
101		651423-1	SWITCH	1				
102		265995-6	TAPPING SCREW 4X18	2				
103		687169-3	STRAIN RELIEF	1				
104		265995-6	TAPPING SCREW 4X18	1				
105		691025-1	POWER SUPPLY CORD 0.75-2-5.0	1				
106		682560-0	CORD GUARD 10	1				
107		631883-3	CONTROLLER	1			91793	
107-1		631883-3	CONTROLLER	1	S	91793	99132	
107-2		620226-4	CONTROLLER	1	S	99132		
108		265490-6	HEX. SOCKET HEAD BOLT M4X16	2			99132	
108-1		266834-3	H.S.H.BOLT M4X18 WITH GM	2	S	99132		
109		232209-8	LEAF SPRING	1				
110		451112-6	SLIDE LEVER	1				
111		263027-3	RUBBER PIN 4	2				
112		451105-3	LENS	1				
113		451118-4	HANDLE	1				
114		265995-6	TAPPING SCREW 4X18	1				
115		451106-1	SWITCH LEVER	1				
116		265995-6	TAPPING SCREW 4X18	1				
117		266499-1	H.S HEAD BOLT M6X30 WITH GM	4				
118		866749-0	HM1214C NAME PLATE	1				
119		451119-2	HANDLE COVER	1				
120		265995-6	TAPPING SCREW 4X18	2				

Interchange  
O : Yes  
X : No  
< : the new part can be substituted for the current.  
> : the current part can be substituted for the new.  
S : Interchangeable as a set.

