



VN	VIETNAM
----	---------

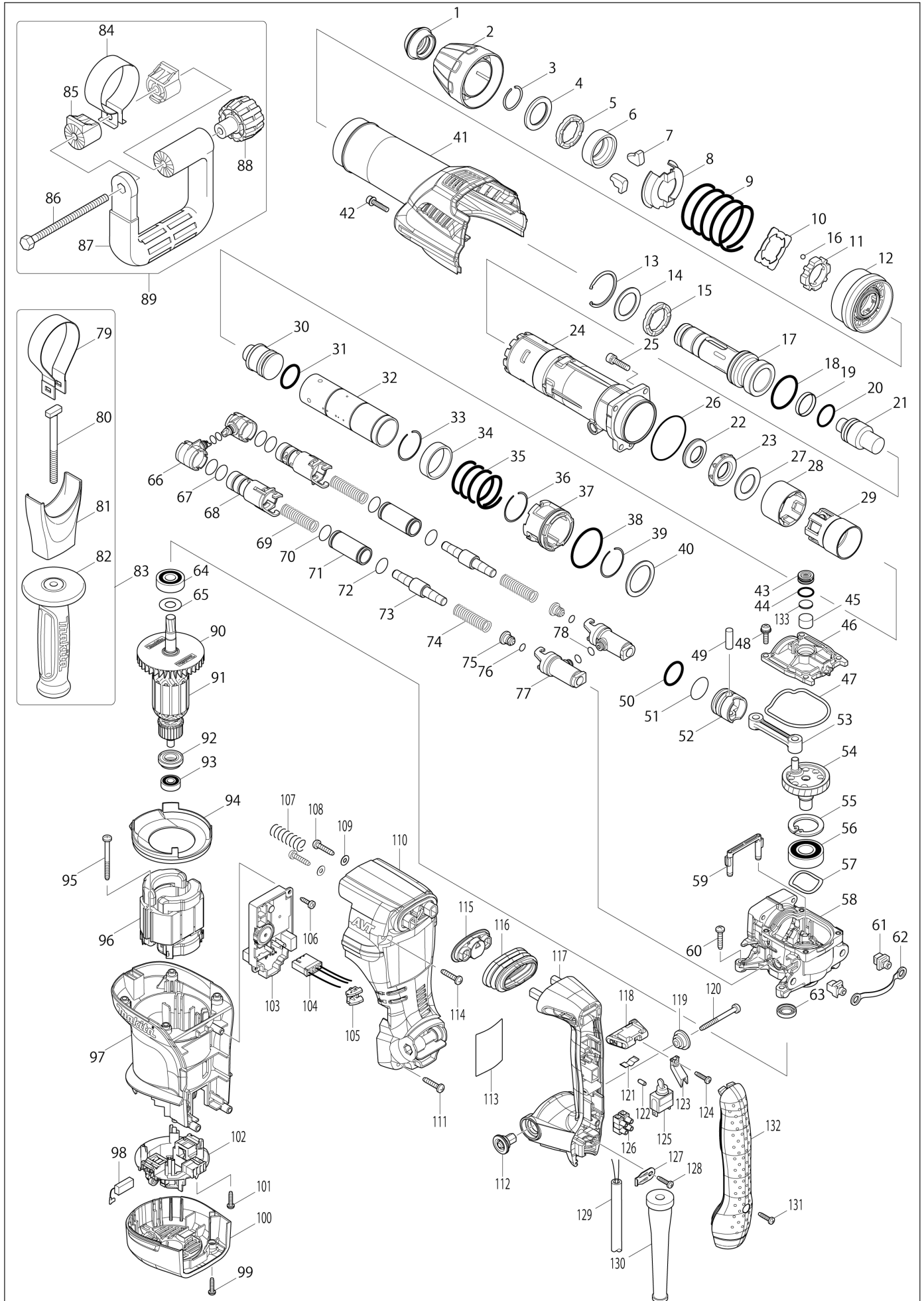
# Diagram / Parts List

**HM0871C**

**DEMOLITION HAMMER**



# (VN) HM0871C / DEMOLITION HAMMER



<b>VN</b>	<b>VIETNAM</b>
-----------	----------------

### HM0871C / DEMOLITION HAMMER

Item	Sub	Parts No.	Parts Description	Qty	I/C	E/C No.	Close No.	Remark
001		286287-0	TOOL HOLDER CAP	1				
002		451432-8	CHUCK COVER	1				
003		231984-3	RING SPRING 25	1				
004		267272-2	FLAT WASHER 28	1				
005		424261-2	RUBBER RING 28	1				
006		331659-5	CHUCK RING	1				
007		310108-5	TOOL RETAINER	2				
008		345360-6	SPRING GUIDE	1			97492	
008-1		346677-0	SPRING GUIDE	1	<	97492		
009		233387-7	COMPRESSION SPRING 52	1				
010		346141-1	PLATE	1				
011		310145-9	LOCK RING	1				
012		451433-6	CHANGE RING	1				
013		257960-9	RETAINING RING(INT) ROUND R-42	1				
014		267273-0	FLAT WASHER 29	1				
015		424261-2	RUBBER RING 28	1				
016		216002-8	STEEL BALL 4.8	4				
017		324387-9	TOOL HOLDER	1				
018		213527-3	O RING 38	1				
019		213431-6	FLUORIDE RING 28	1				
020		213394-6	O RING 23	1				
021		324389-5	IMPACT BOLT	1				
022		325732-1	RING 20	1				
023		424245-0	RUBBER RING 20	1				
024		318511-4	BARREL	1				
025		922341-3	HEX. SOCKET HEAD BOLT M6X25	4				
026		213656-2	O RING 53	1				
027		267407-5	FLAT WASHER 23	1				
028		451639-6	GUIDE RING	1				
029		450098-1	SLIDE SLEEVE	1				
030		324388-7	STRIKER	1				
031		213958-6	O RING 24	1				
032		331658-7	CYLINDER 32	1				
033		233927-1	RING SPRING 34	1				
034		331660-0	RING 36	1				
035		233386-9	COMPRESSION SPRING 37	1				
036		233927-1	RING SPRING 34	1				
037		318510-6	CYLINDER GUIDE	1				
038		213611-4	O RING 46	1				
039		233927-1	RING SPRING 34	1				
040		267079-6	FLAT WASHER 34	1				
041		451443-3	HOUSING COVER	1				
042		922243-3	HEX. SOCKET HEAD BOLT M5X25	1			C5583	
042-1		922243-3	HEX. SOCKET HEAD BOLT M5X25	1	O	C5583		
043		419988-7	FILTER CAP	1				
044		213218-6	O RING 16	1			DA223	
044-1		213A05-9	O-RING16	1	O	DA223		
045		443129-3	FILTER	1				
046		451434-4	CRANK CAP	1				
047		424244-2	SEAL RING	1				
048		911233-1	PAN HEAD SCREW M5X20	4				
049		268104-6	PIN 8	1				
050		213958-6	O RING 24	1				
051		213432-4	O RING 26	1				
052		418349-8	PISTON	1				
053		418350-3	CONNECTING ROD	1				
054		325734-7	CRANK SHAFT 17.5	1				
055		962157-4	RETAINING RING R-40	1				
056		211281-3	BALL BEARING 6203LLU	1			A2213	
056-1		211490-4	BALL BEARING 6203LLU	1	O	A2213		
057		267825-7	WAVE WASHER 30	1				
058		140204-3	CRANK HOUSING COMPLETE	1				
059		451429-7	AIR PIPE	1				
060		266041-8	TAPPING SCREW 5X25	4				
061		419008-7	FIX GUIDE	2				

Interchange  
O : Yes  
X : No  
< : the new part can be substituted for the current.  
> : the current part can be substituted for the new.  
S : Interchangeable as a set.

<b>VN</b>	<b>VIETNAM</b>
-----------	----------------

### HM0871C / DEMOLITION HAMMER

Item	Sub	Parts No.	Parts Description	Qty	I/C	E/C No.	Close No.	Remark
062		423400-1	CUSHION PLATE	1				
063		213133-4	OIL SEAL 12	1			A7977	
063-1		213678-2	OIL SEAL 12	1	O	A7977		
064		211106-1	BALL BEARING 6201LLB	1				
065		253759-0	FLAT WASHER 12	1				
066		451430-2	PIPE HOLDER SUPPORT	2			A6907	
066-1		455791-2	PIPE HOLDER SUPPORT	2	<	A6907		
067		213275-4	O RING 18	4				
068		451436-0	PIPE HOLDER B	2				
069		234134-9	COMPRESSION SPRING 12	2				
070		213275-4	O RING 18	2				
071		324572-4	PIPE 16	2				
072		213275-4	O RING 18	2				
073		325733-9	COUNTER WEIGHT	2				
074		234134-9	COMPRESSION SPRING 12	2				
075		419011-8	SPRING GUIDE	2				
076		213030-4	O RING 8	2				
077		451435-2	PIPE HOLDER A	2				
078		213030-4	O RING 8	4				
079		346140-3	GRIP SPRING 70	1				
080		266522-2	SQUARE BOLT M8X95	1				
081		418363-4	SIDE GRIP BASE 60	1				
082		158131-0	GRIP 36 COMPLETE	1				
083		135332-7	GRIP 36 ASSEMBLY	1				
	D10		INC. 79-82					
090		240119-5	FAN 76	1				
091		513793-5	ARMATURE ASSEMBLY 220-240V	1				
	D10		INC. 90,92,93					
092		681650-6	INSULATION WASHER	1				
093		210005-4	BALL BEARING 608DDW	1				
094		451438-6	BAFFLE PLATE	1				
095		266095-5	TAPPING SCREW 5X55	2				
096		625764-1	FIELD 240V	1				
097		451423-9	MOTOR HOUSING	1				
098		195004-6	CARBON BRUSH SET CB-350	1				
099		265995-6	TAPPING SCREW 4X18	2				
100		451442-5	REAR COVER	1				
101		265995-6	TAPPING SCREW 4X18	4				
102		638674-3	BRUSH HOLDER UNIT	1				
103		631932-6	CONTROLLER	1				
104		638675-1	LEAD UNIT	1				
105		451428-9	LENS	1				
106		266192-7	TAPPING SCREW 4X14	2			A2782	
106-1		266901-4	TAPPING SCREW 4X14	2	<	A2782		
107		233434-4	COMPRESSION SPRING 11	1				
108		266041-8	TAPPING SCREW 5X25	2				
109		267066-5	FLAT WASHER 5	2				
110		451447-5	HANDLE BASE	1				
111		266041-8	TAPPING SCREW 5X25	2				
112		451431-0	HANDLE RETAINER	1				
113		867384-7	HM0871C NAME PLATE	1			Z20180	
113-1		814H67-8	HM0871C NAME PLATE	1	O	Z20180		
114		266041-8	TAPPING SCREW 5X25	2				
115		451437-8	DUST COVER SUPPORT	1				
116		424247-6	DUST COVER	1				
117		140205-1	HANDLE COMPLETE	1				
118		451439-4	SLIDE LEVER	1				
119		450352-3	SHOULDER SLEEVE 6	1				
120		266095-5	TAPPING SCREW 5X55	1				
121		232209-8	LEAF SPRING	1				
122		263027-3	RUBBER PIN 4	1				
123		451427-1	SWITCH LEVER	1				
124		265995-6	TAPPING SCREW 4X18	1				
125		651418-4	SWITCH ST115A-40	1				
126		654531-7	TERMINAL BLOCK 2P	1				

Interchange  
O : Yes  
X : No  
< : the new part can be substituted for the current.  
> : the current part can be substituted for the new.  
S : Interchangeable as a set.

