



VN	VIETNAM
----	---------

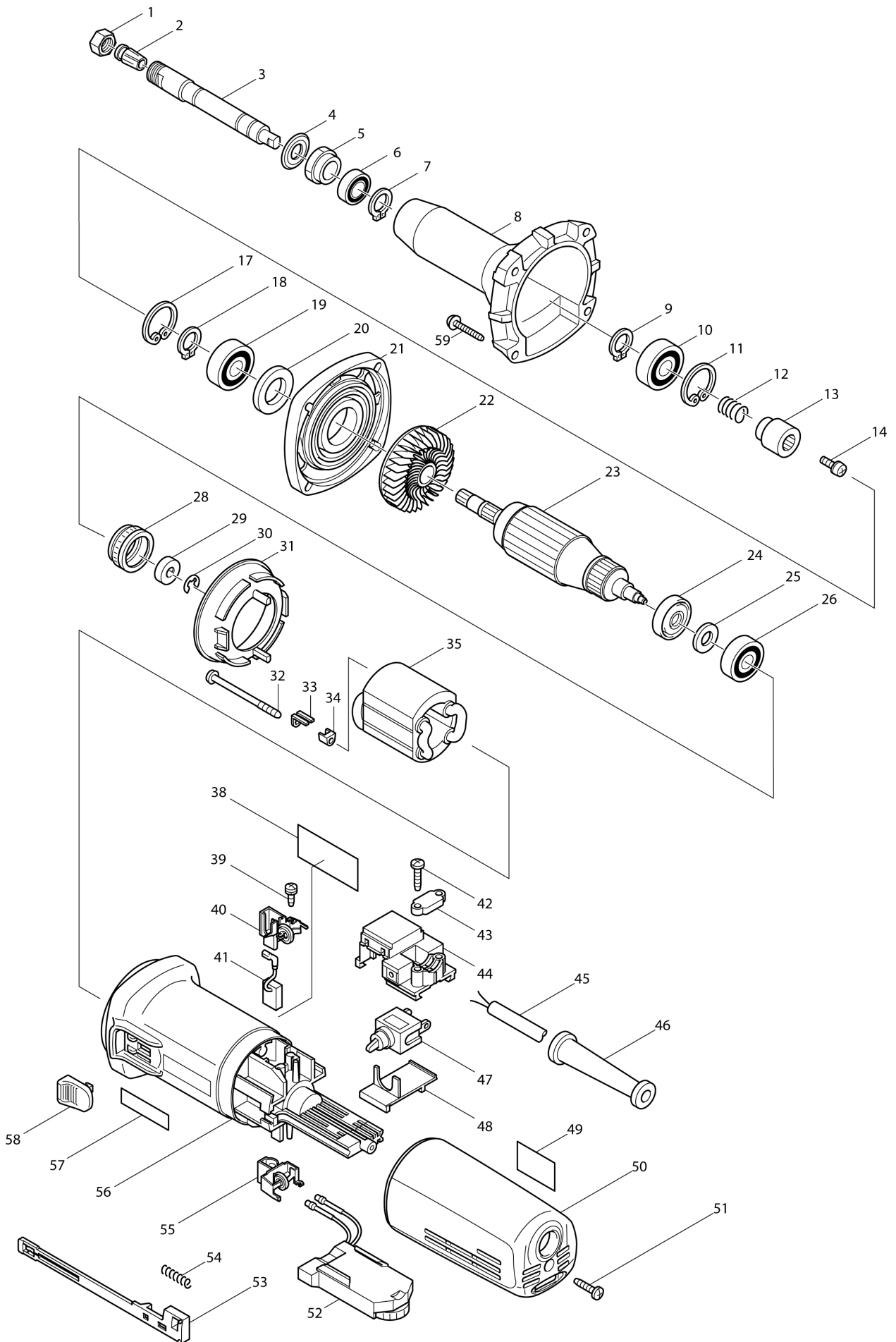
Diagram / Parts List

GD0800C

DIE GRINDER



(VN) GD0800C / DIE GRINDER



VN	VIETNAM
-----------	----------------

GD0800C / DIE GRINDER

Item	Sub	Parts No.	Parts Description	Qty	I/C	E/C No.	Close No.	Remark
001		763645-2	COLLET NUT	1				
002A1		193012-1	COLLET CONE 6 SET	1				
	C10	763646-0	COLLET CONE 6	1				
	D10		INC. 1					
003		324042-3	SPINDLE	1				
004		213209-7	OIL SEAL 16	1				
005		285700-5	BEARING RETAINER	1				
006		211141-9	BALL BEARING 6901LLB	1				
007		961052-5	RETAINING RING S-12	1				
008		317368-0	BARREL	1				
009		961052-5	RETAINING RING S-12	1				
010		211142-7	BALL BEARING 6001LLB	1			65891A	
010-1		211148-5	BALL BEARING 6001ZZ	1	<	65891A		
011		962106-1	RETAINING RING R-28	1				
012		233901-9	LOCK SPRING 12	1				
013		323989-8	COUPLING	1				
014		265082-1	PAN HEAD SCREW M4X8	1				
017		962106-1	RETAINING RING R-28	1				
018		961052-5	RETAINING RING S-12	1				
019		211142-7	BALL BEARING 6001LLB	1			65891A	
019-1		211148-5	BALL BEARING 6001ZZ	1	<	65891A		
020		253084-9	FLAT WASHER 12	1				
021		317367-2	BEARING BOX	1				
022		240036-9	FAN 57	1				
023A		515193-5	ARMATURE ASS'Y 220V	1			66600	
	D10		INC. 22,24-26				66600	
023A1		515218-5	ARMATURE ASS'Y 220V	1	S	66600		
	D10		INC. 22,24-26			66600		
024		681656-4	INSULATION WASHER	1				
025		253823-7	FLAT WASHER 7	1				
026		210023-2	BALL BEARING 627DDW	1				
028		421770-2	LABYRINTH RUBBER RING 22	1				
029		688117-5	MAGNET SLEEVE	1				
030		961011-9	STOP RING E-4	1			66600	
030-1		259039-2	SELF LOCK 6	1	S	66600		
031		413076-2	BAFFLE PLATE	1				
032		266259-1	TAPPING SCREW 4X60	2				
033		344871-8	RETAINER	2				
034		417237-6	INSULATION COVER	2				
035A		626523-6	FIELD 220V	1				
038		852410-5	NAME PLATE GD0800C	1			98902	
038-1		814S07-2	NAME PLATE GD0800C	1	<	98902		
039		266256-7	TAPPING SCREW PT3X10	4				
040-1		643760-7	BRUSH HOLDER	1				
041-1		191978-9	A.C. CARBON BRUSH CB-318	1			85070	
041-2		194999-0	A.C. CARBON BRUSH SET CB-318	1	<	85070		
042		265995-6	TAPPING SCREW 4X18	2				
043B		687053-2	STRAIN RELIEF	1				
044		632999-7	SWITCH BLOCK	1				
045L		691015-4	POWER SUPPLY CORD 0.75-2-2.5	1				
046		682566-8	CORD GUARD 10	1				
047		651418-4	SWITCH ST115A-40	1				
048		687113-0	COVER	1				
049A		816801-4	INDICATION LABEL	1				
050		417185-9	REAR COVER	1				
051		265995-6	TAPPING SCREW 4X18	1				
052B		631402-5	CONTROLLER	1				
053		417187-5	SWITCH LEVER	1				
054		233071-4	COMPRESSION SPRING 4	1				
055A1		643760-7	BRUSH HOLDER	1				
056		417184-1	MOTOR HOUSING	1			64025	
056-1		183406-8	MOTOR HOUSING	1	S	64025	76526	
	D10		INC. 57			64025	76526	
056-2		417812-8	MOTOR HOUSING	1	<	76526		
058		417188-3	SWITCH KNOB	1			64025	

Interchange
O : Yes
X : No
< : the new part can be substituted for the current.
> : the current part can be substituted for the new.
S : Interchangeable as a set.

