



VN	VIETNAM
----	---------

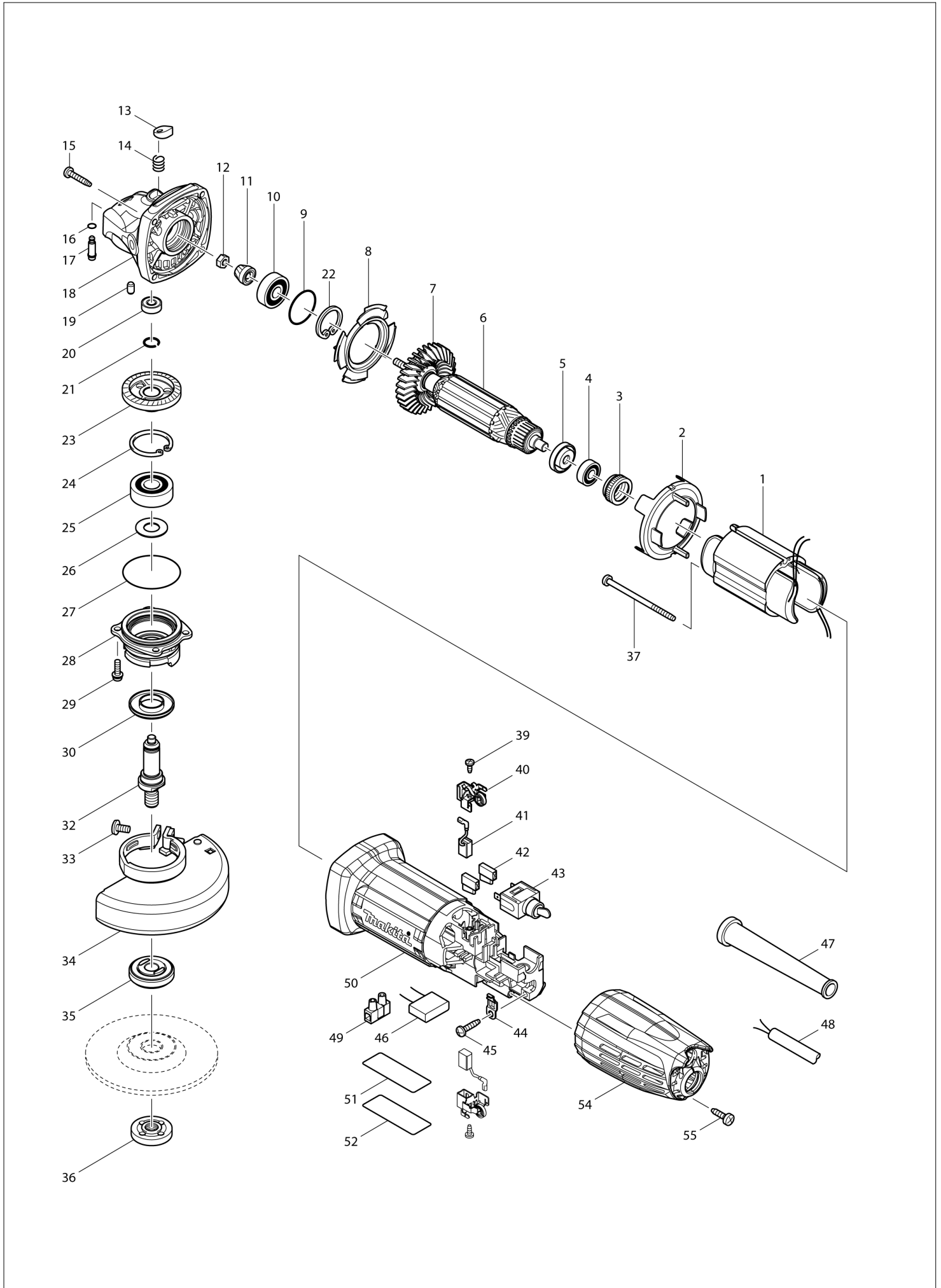
Diagram / Parts List

GA4032

100MM ANGLE GRINDER



(VN) GA4032 / 100MM ANGLE GRINDER



VN	VIETNAM
-----------	----------------

GA4032 / 100MM ANGLE GRINDER

Item	Sub	Parts No.	Parts Description	Qty	I/C	E/C No.	Close No.	Remark
001		623538-4	FIELD 220-240V	1			B1442	
001-1		633879-0	FIELD 220-240V	1	O	B1442		
002		450796-7	BAFFLE PLATE	1				
003		421868-5	LABYRINTH RUBBER RING 19	1				
004		210034-7	BALL BEARING 607LLB	1				
005		681636-0	INSULATION WASHER	1				
006		517663-0	ARMATURE ASSEMBLY 220V	1				
	D10		INC. 4,5,7					
007		240107-2	FAN 56	1			97304	
007-1		240139-9	FAN 56	1	O	97304		
008		413126-3	GUIDE PLATE	1				
009		213445-5	O-RING 26	1				
010		211092-6	BALL BEARING 629DDW	1				
011		227559-4	SPIRAL BEVEL GEAR 9	1				
012		252137-1	HEX. NUT M5-8	1				
013		417771-6	PIN CAP	1				
014		234057-1	COMPRESSION SPRING 8	1				
015		266324-6	TAPPING SCREW 4X22	4				
016		213960-9	O RING 5	1			86890	
016-1		213032-0	O RING 4	1	<	86890		
017		256510-7	SHOULDER PIN 4	1				
018		318335-8	GEAR HOUSING	1				
019		263002-9	RUBBER PIN 4	1				
020		210033-9	BALL BEARING 696ZZ	1				
021		233950-6	RING SPRING 11	1				
022		962105-3	RETAINING RING R-26	1				
023		227560-9	SPIRAL BEVEL GEAR 38	1				
024		962151-6	RETAINING RING R-32	1				
025		211129-9	BALL BEARING 6201DDW	1				
026		267113-2	FLAT WASHER 12	1			D7262	
026-1		267238-2	FLAT WASHER 12	1	O	D7262		
027		213561-3	O RING 42	1				
028		318336-6	BEARING BOX	1				
029		265099-4	PAN HEAD SCREW M4X14	4				
030		345464-4	LABYRINTH RING	1				
032		324956-6	SPINDLE	1				
033		265180-1	PAN HEAD SCREW M5X16	1				
034		135238-9	WHEEL COVER 100K ASS'Y	1			86463	
	D10		INC. 33				86463	
034-1		122885-5	WHEEL COVER 100K ASS'Y	1	<	86463		
	C10	213009-5	O RING 4	1		86463		
	D10		INC. 33			86463		
035		224314-5	INNER FLANGE 30	1				
036		224559-5	LOCK NUT 10-30	1				
037		266325-4	TAPPING SCREW 4X70	2				
039		266492-5	TAPPING SCREW 3X8	2				
040		643839-4	BRUSH HOLDER 6X9	2				
041		195026-6	CARBON BRUSH SET CB-459	1				
042		686039-3	RECEPTACLE SLEEVE	2				
043		651426-5	SWITCH STL115ADF-AD	1			C2203	
043-1		651068-5	SWITCH ST115A-TB-F1	1	O	C2203		
044		687682-1	STRAIN RELIEF	1				
045		266326-2	TAPPING SCREW 4X18	1				
047		682566-8	CORD GUARD 10	1				
048		691015-4	POWER SUPPLY CORD 0.75-2-2.5	1				
050		451380-1	MOTOR HOUSING	1				
051		867196-8	GA4032 NAME PLATE	1				
052		819327-5	CLEAR LABEL	1			88765	
052-1		891976-0	CLEAR LABEL	1	<	88765		
054		451381-9	REAR COVER	1				
055		266192-7	TAPPING SCREW 4X14	1			97813	
055-1		266385-6	TAPPING SCREW 4X14	1	O	97813		
A01		782420-7	LOCK NUT WRENCH 20	1				
A02		A-80852	GRINDING WHEEL 100X6X16	1				

Interchange
O : Yes
X : No
< : the new part can be substituted for the current.
> : the current part can be substituted for the new.
S : Interchangeable as a set.