



VN	VIETNAM
----	---------

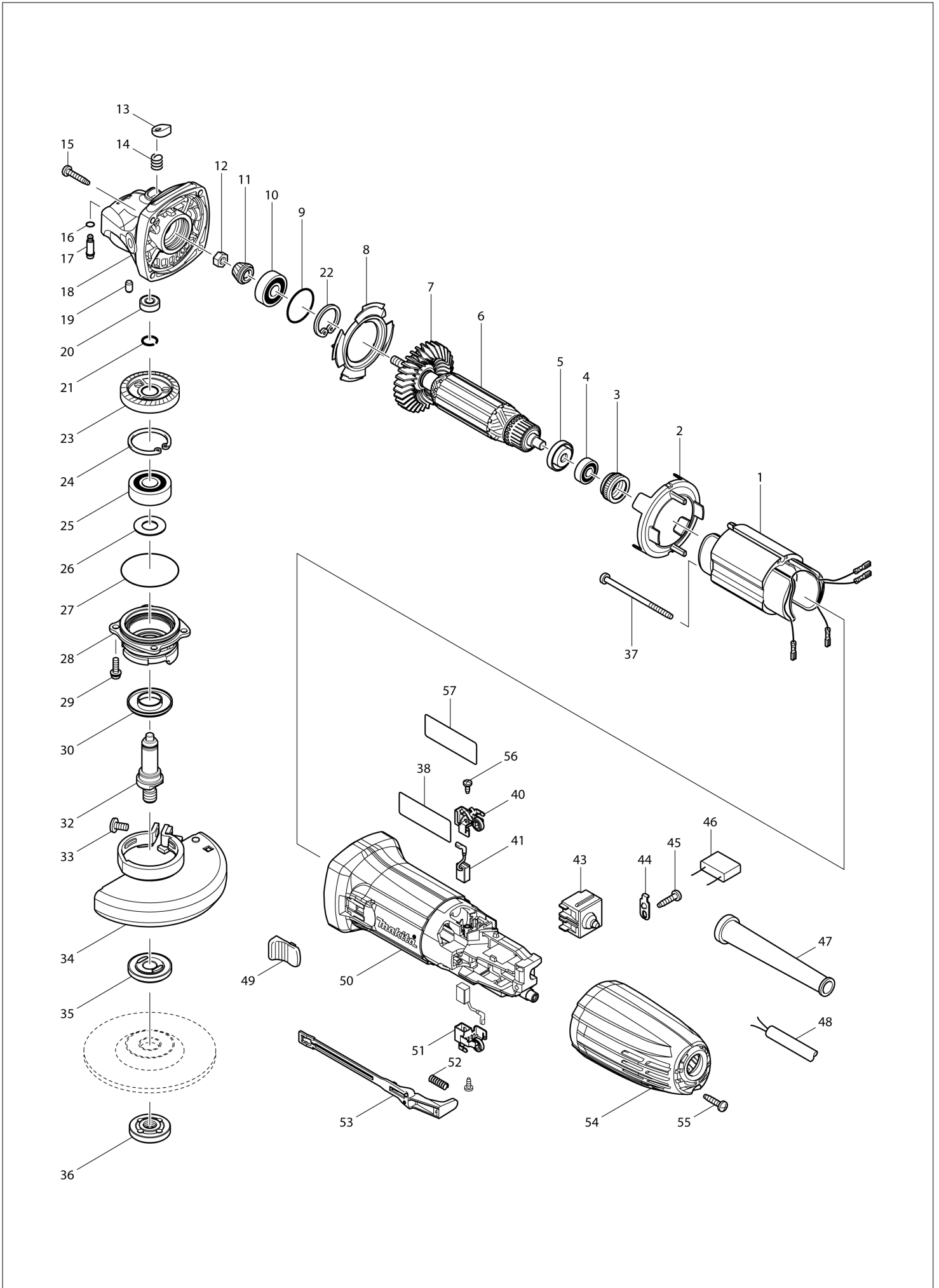
# Diagram / Parts List

**GA4030**

**100MM ANGLE GRINDER**



# (VN) GA4030 / 100MM ANGLE GRINDER



<b>VN</b>	<b>VIETNAM</b>
-----------	----------------

### GA4030 / 100MM ANGLE GRINDER

Item	Sub	Parts No.	Parts Description	Qty	I/C	E/C No.	Close No.	Remark
001		623533-4	FIELD 220-240V	1			95066	
001-1		635113-4	FIELD 220-240V	1	O	95066	Z19840	
001-2		623533-4	FIELD 220-240V	1	O	Z19840	A5359	
001-3		635113-4	FIELD 220-240V	1	O	A5359		
002		450796-7	BAFFLE PLATE	1				
003		421868-5	LABYRINTH RUBBER RING 19	1				
004		210034-7	BALL BEARING 607LLB	1				
005		681636-0	INSULATION WASHER	1				
006		517648-6	ARMATURE ASS'Y 220V	1				
	D10		INC. 4,5,7					
007		240107-2	FAN 56	1			97304	
007-1		240139-9	FAN 56	1	O	97304		
008		413126-3	GUIDE PLATE	1				
009		213445-5	O-RING 26	1				
010		211092-6	BALL BEARING 629DDW	1				
011		227545-5	SPIRAL BEVEL GEAR 10	1				
012		252186-8	HEX. NUT M6	1				
013		417771-6	PIN CAP	1				
014		234057-1	COMPRESSION SPRING 8	1				
015		266324-6	TAPPING SCREW 4X22	4			C0991	
015-1		265651-8	TAPPING SCREW 4X22	4	O	C0991		
016		213960-9	O RING 5	1			86890	
016-1		213032-0	O RING 4	1	<	86890		
017		256510-7	SHOULDER PIN 4	1				
018		318335-8	GEAR HOUSING	1				
019		263002-9	RUBBER PIN 4	1				
020		210033-9	BALL BEARING 696ZZ	1				
021		233950-6	RING SPRING 11	1				
022		962105-3	RETAINING RING R-26	1				
023		227546-3	SPIRAL BEVEL GEAR 37	1				
024		962151-6	RETAINING RING R-32	1				
025		211129-9	BALL BEARING 6201DDW	1				
026		267113-2	FLAT WASHER 12	1			D7262	
026-1		267238-2	FLAT WASHER 12	1	O	D7262		
027		213561-3	O RING 42	1				
028		318336-6	BEARING BOX	1				
029		265099-4	PAN HEAD SCREW M4X14	4				
030		345464-4	LABYRINTH RING	1				
032		324956-6	SPINDLE	1				
033		265180-1	PAN HEAD SCREW M5X16	1				
034		135238-9	WHEEL COVER 100K ASS'Y	1			85994	
	D10		INC. 33				85994	
034-1		122885-5	WHEEL COVER 100K ASS'Y	1	<	85994	99721	
	C10	213009-5	O RING 4	1		85994	99721	
	D10		INC. 33			85994	99721	
034-2		125885-4	WHEEL COVER 100AK ASS'Y	1	<	99721		
	C10	213009-5	O RING 4	1		99721		
	D10		INC. 33			99721		
035		224314-5	INNER FLANGE 30	1				
036		224559-5	LOCK NUT 10-30	1				
037		266325-4	TAPPING SCREW 4X70	2			C0958	
037-1		265657-6	TAPPING SCREW 4X70	2	O	C0958		
038		866033-3	GA4030 NAME PLATE	1				
040		643839-4	BRUSH HOLDER 6X9	1				
041		194722-3	CARBON BRUSH CB-459	1			85070	
041-1		195026-6	CARBON BRUSH SET CB-459	1	<	85070		
043		650560-8	SWITCH DPX-2110-R	1			93182	
043-1		650621-4	SWITCH PS10	1	O	93182		
044		687682-1	STRAIN RELIEF	1				
045		266326-2	TAPPING SCREW 4X18	1			C0991	
045-1		265652-6	TAPPING SCREW 4X18	1	O	C0991		
047		682566-8	CORD GUARD 10	1				
048		691015-4	POWER SUPPLY CORD 0.75-2-2.5	1				
049		419566-3	SWITCH KNOB	1				
050		450795-9	MOTOR HOUSING	1				

Interchange  
O : Yes  
X : No  
< : the new part can be substituted for the current.  
> : the current part can be substituted for the new.  
S : Interchangeable as a set.

