



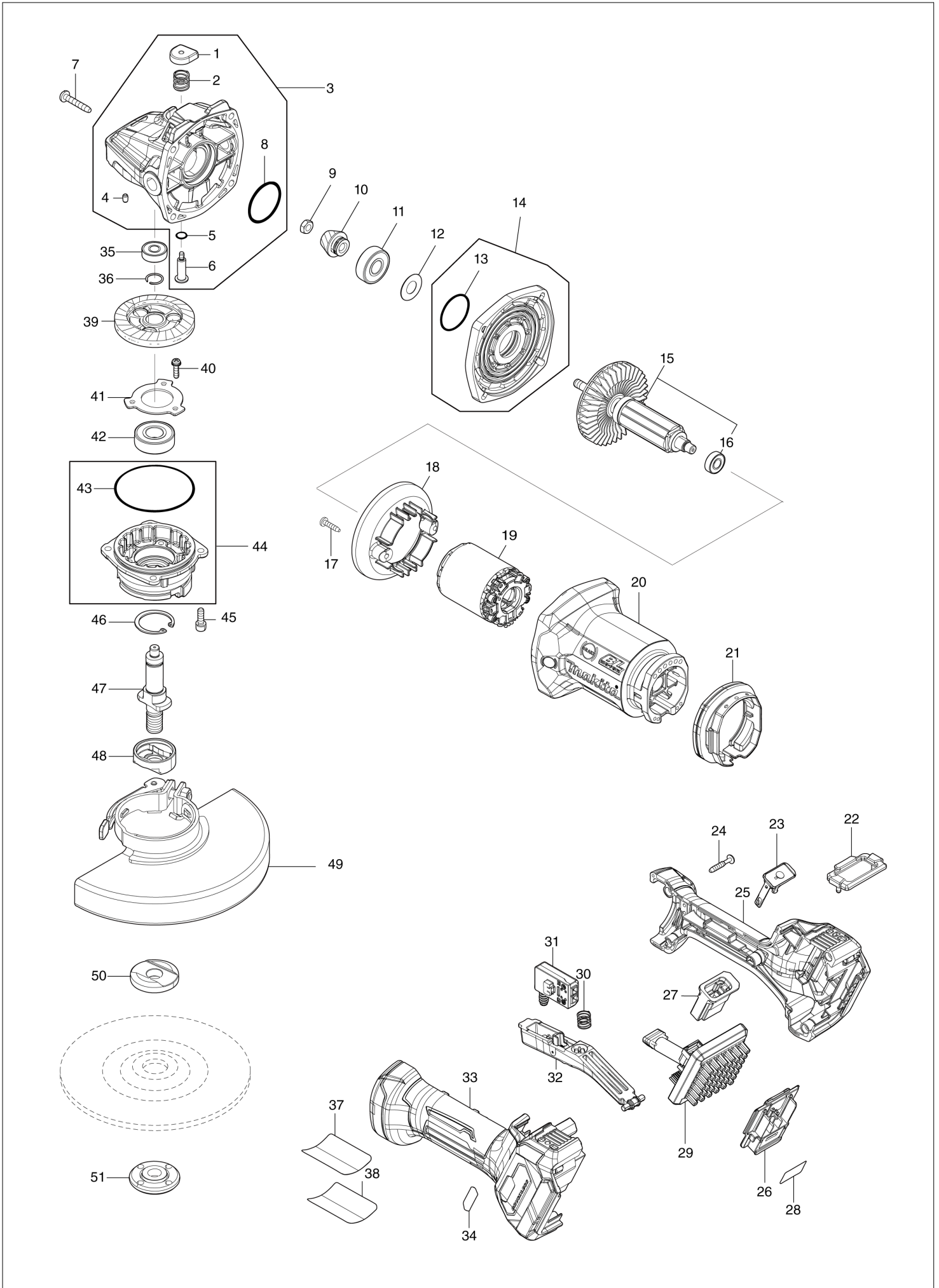
VN	VIETNAM
----	---------

Diagram / Parts List

GA037G

180MM CORDLESS ANGLE GRINDER

(VN) GA037G / 180MM CORDLESS ANGLE GRINDER



VN	VIETNAM
-----------	----------------

GA037G / 180MM CORDLESS ANGLE GRINDER

Item	Sub	Parts No.	Parts Description	Qty	I/C	E/C No.	Close No.	Remark
001		413219-6	PIN CAP	1				
002		233292-8	COMPRESSION SPRING 12	1				
003		136365-5	GEAR HOUSING ASS'Y	1				
	D10		INC. 1,2,4-6,8					
004		263002-9	RUBBER PIN 4	1				
005		213026-5	O RING 7	1				
006		256516-5	SHOULDER PIN 11	1				
007		266173-1	TAPPING SCREW 5X30	4				
008		213510-0	O RING 36	1				
009		264010-3	HEX.NUT M7	1				
010		227564-1	SPIRAL BEVEL GEAR 10A	1				
011		211137-0	BALL BEARING 6201LLU	1				
012		253759-0	FLAT WASHER 12	1				
013		213459-4	O RING 32	1				
014		136363-9	GEAR HOUSING COVER ASS'Y	1				
	D10		INC. 13					
015		519436-7	ROTOR ASS'Y	1				
	D10		INC. 16					
016		211166-3	BALL BEARING 698DDW	1				
017		266326-2	TAPPING SCREW 4X18	2				
018		457618-2	BAFFLE PLATE	1				
019		629A38-8	STATOR	1				
020		457615-8	MOTOR HOUSING	1				
021		457619-0	VIBRATION PROOF RUBBER	1				
022		422656-3	DUST COVER	1				
023		140F99-0	CAP COMPLETE	1				
	C10	213218-6	O RING 16	1			DA223	
	C11	213A05-9	O-RING16	1	O	DA223		
	C20	818H07-8	CAP LABEL	1				
024		265999-8	TAPPING SCREW 4X25	5				
025		183R97-3	HANDLE SET	1				
	C10	263005-3	RUBBER PIN 6	2				
	D10		INC. 33					
026		632P49-4	TERMINAL UNIT	1				
027		413218-8	CONNECTOR CASE	1				
028		858A78-1	GA037G SERIAL NO. LABEL	1				
029		620E23-8	CONTROLLER	1				
030		234357-9	COMPRESSION SPRING 11	1				
031		651083-9	SWITCH C3XA-1PSPM	1				
032		140X49-3	SWITCH LEVER COMPLETE	1				
033		183R97-3	HANDLE SET	1				
	C10	263005-3	RUBBER PIN 6	2				
	D10		INC. 25					
034		8012U4-2	XGT LOGO LABEL	1				
035		210029-0	BALL BEARING 608ZZ	1				
036		233925-5	RING SPRING 13	1				
037		858A74-9	GA037G NAME PLATE	1				
038		8026G1-7	CLEAR LABEL	1				
039		227562-5	SPIRAL BEVEL GEAR 38	1				
040		911128-8	P.H.SCREW M4X16 WITH WR	3				
041		285851-4	BEARING RETAINER	1				
042		211241-5	BALL BEARING 6202DDW	1				
043		213720-9	O RING 67	1				
044		136364-7	BEARING BOX ASS'Y	1				
	D10		INC. 43					
045		922221-3	HEX. SOCKET HEAD BOLT M5X16	4				
046		962151-6	RETAINING RING R-32	1				
047		326963-5	SPINDLE	1				
048		310800-3	LEAD FLANGE	1				
049		127713-9	TOOLLESS WHEEL COVER 180F ASSY	1				
050		224447-6	INNER FLANGE 42B	1				
051		122864-3	TOOLLESS LOCK NUT ASSEMBLY M14	1				
A01		162264-5	VIBRATION PROOF GRIP	1				
A02		782034-2	LOCK NUT WRENCH 35	1				
A03		8027V6-8	GA037GZ05 MODEL NO. LABEL	1				

Interchange
O : Yes
X : No
< : the new part can be substituted for the current.
> : the current part can be substituted for the new.
S : Interchangeable as a set.

