



VN	VIETNAM
----	---------

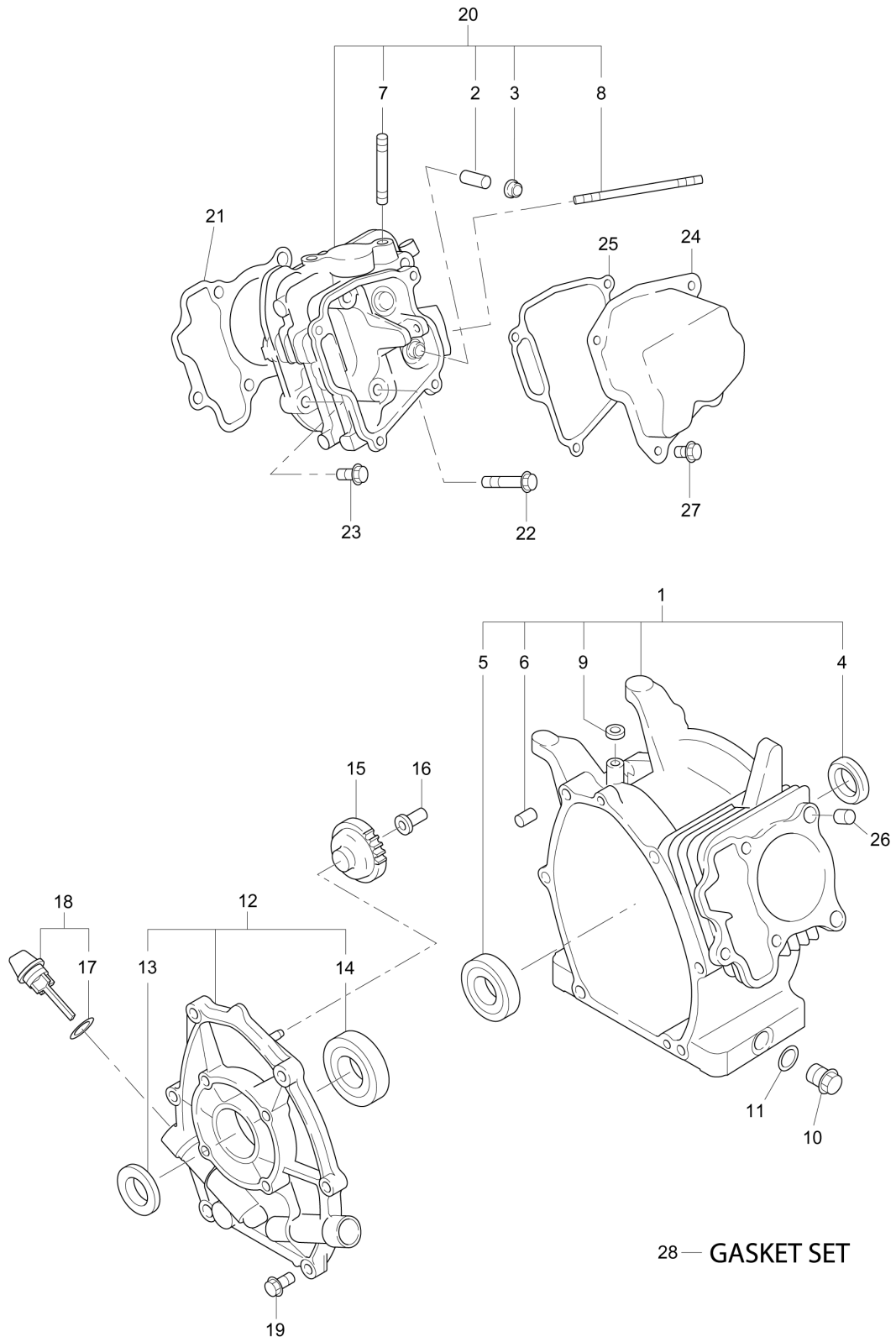
Diagram / Parts List

EW2051H

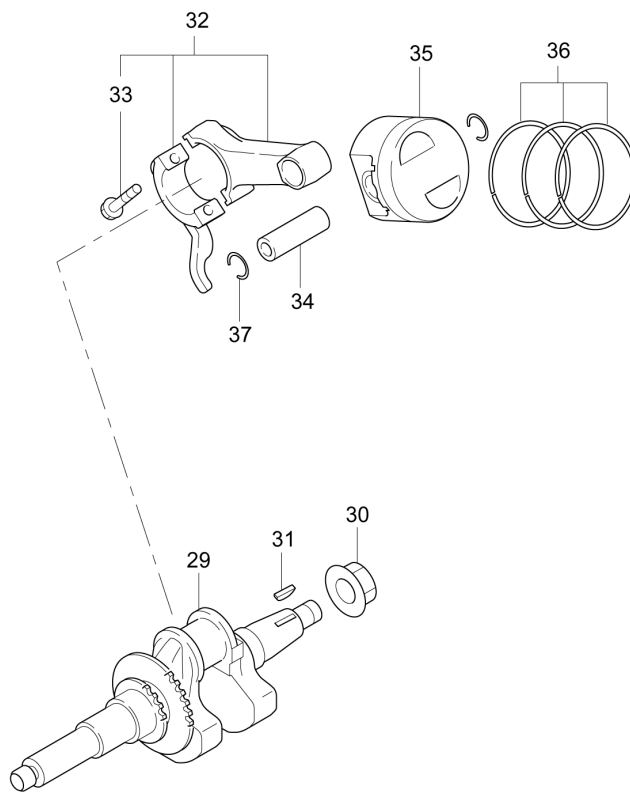
ENGINE PUMP



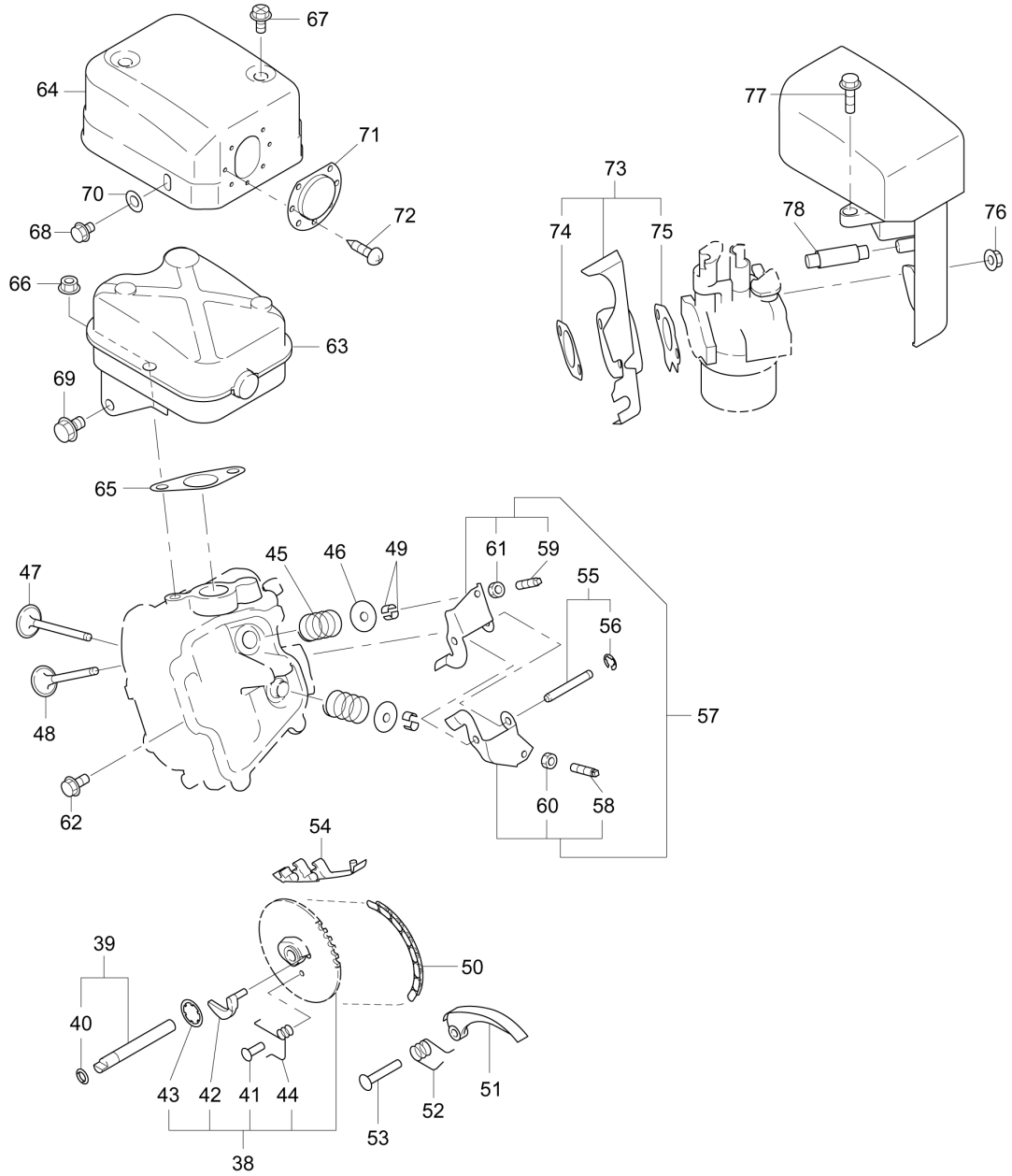
(VN) EW2051H / ENGINE PUMP



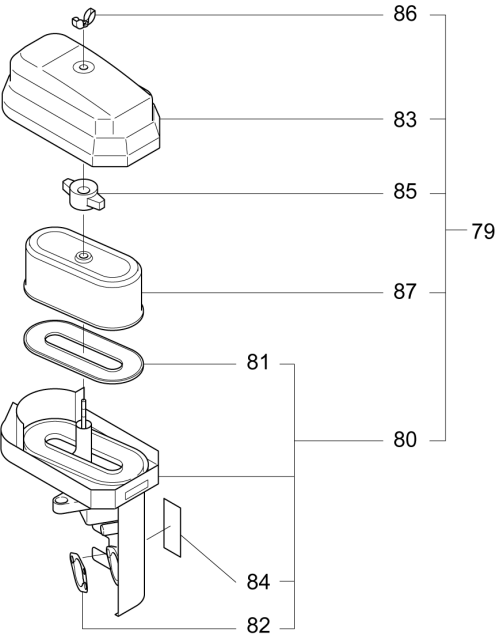
(VN) EW2051H / ENGINE PUMP



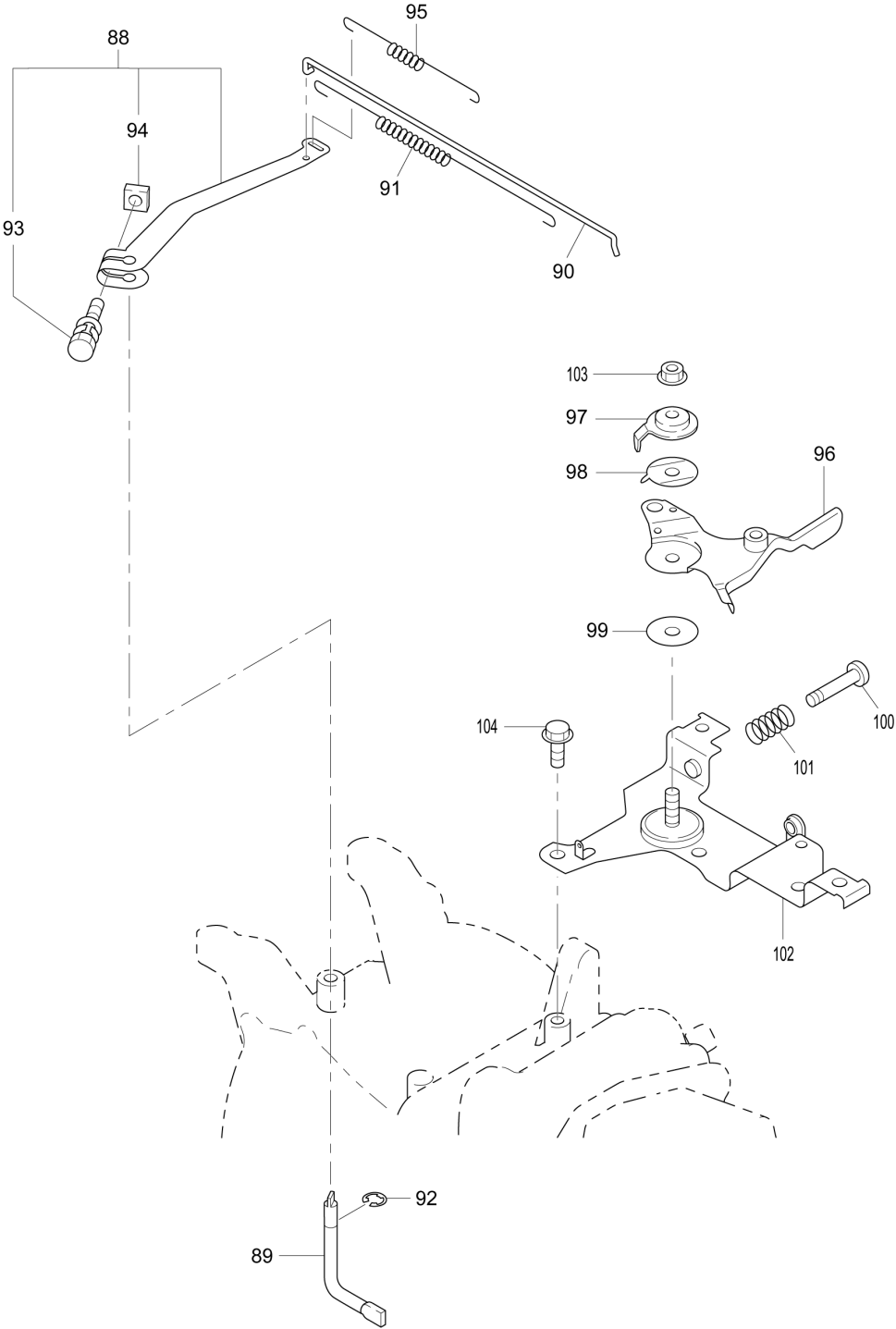
(VN) EW2051H / ENGINE PUMP



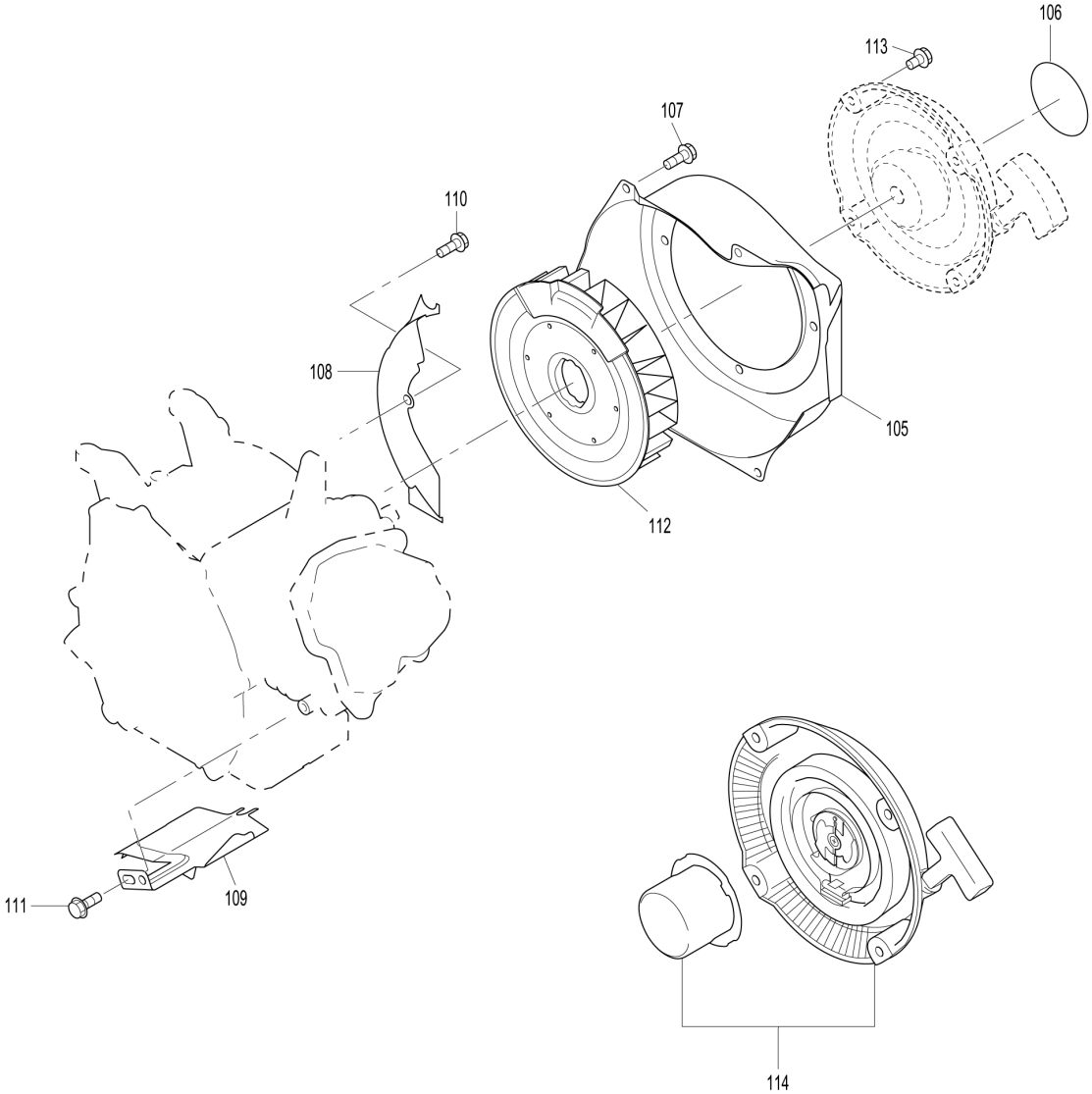
(VN) EW2051H / ENGINE PUMP



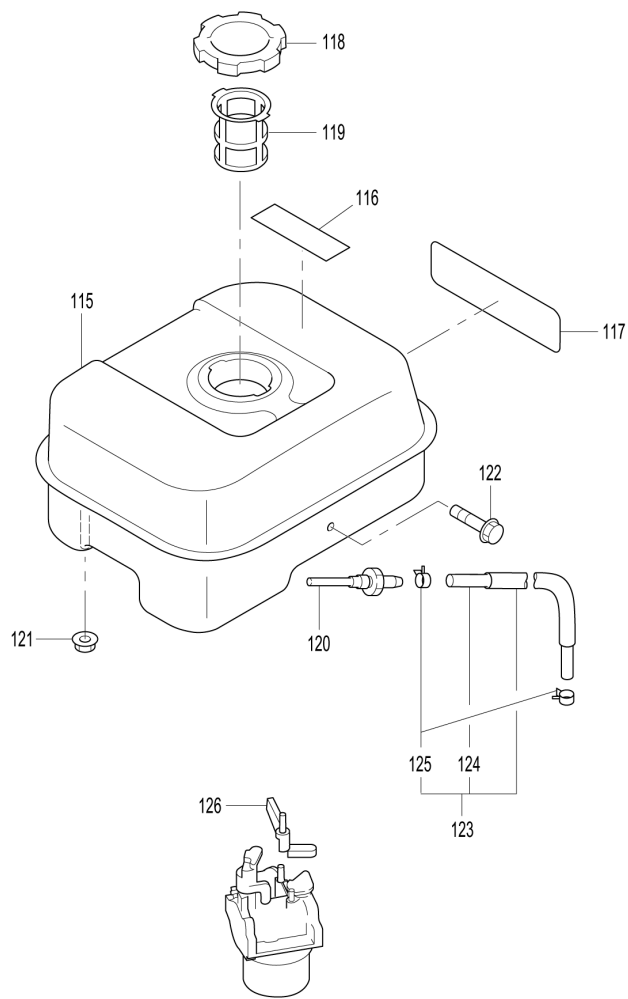
(VN) EW2051H / ENGINE PUMP



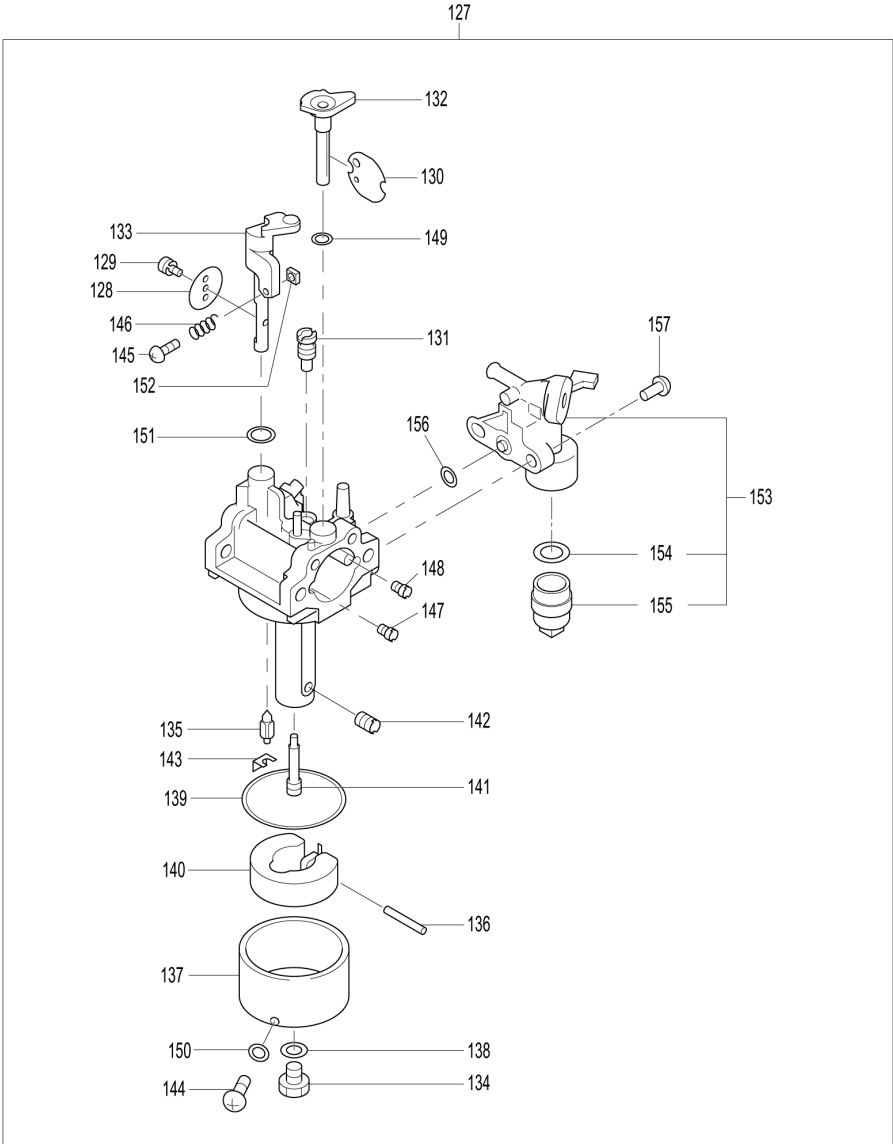
(VN) EW2051H / ENGINE PUMP



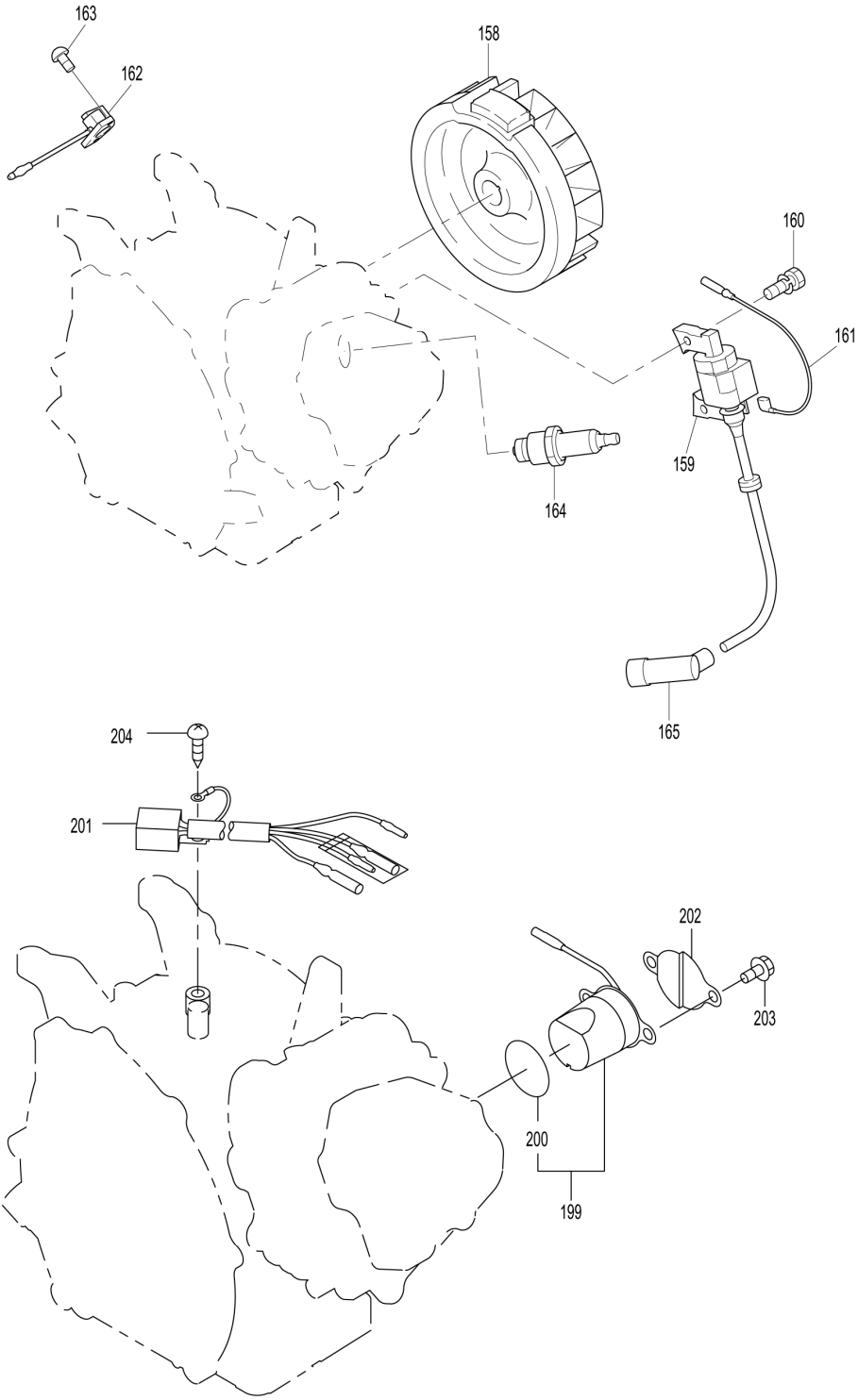
(VN) EW2051H / ENGINE PUMP



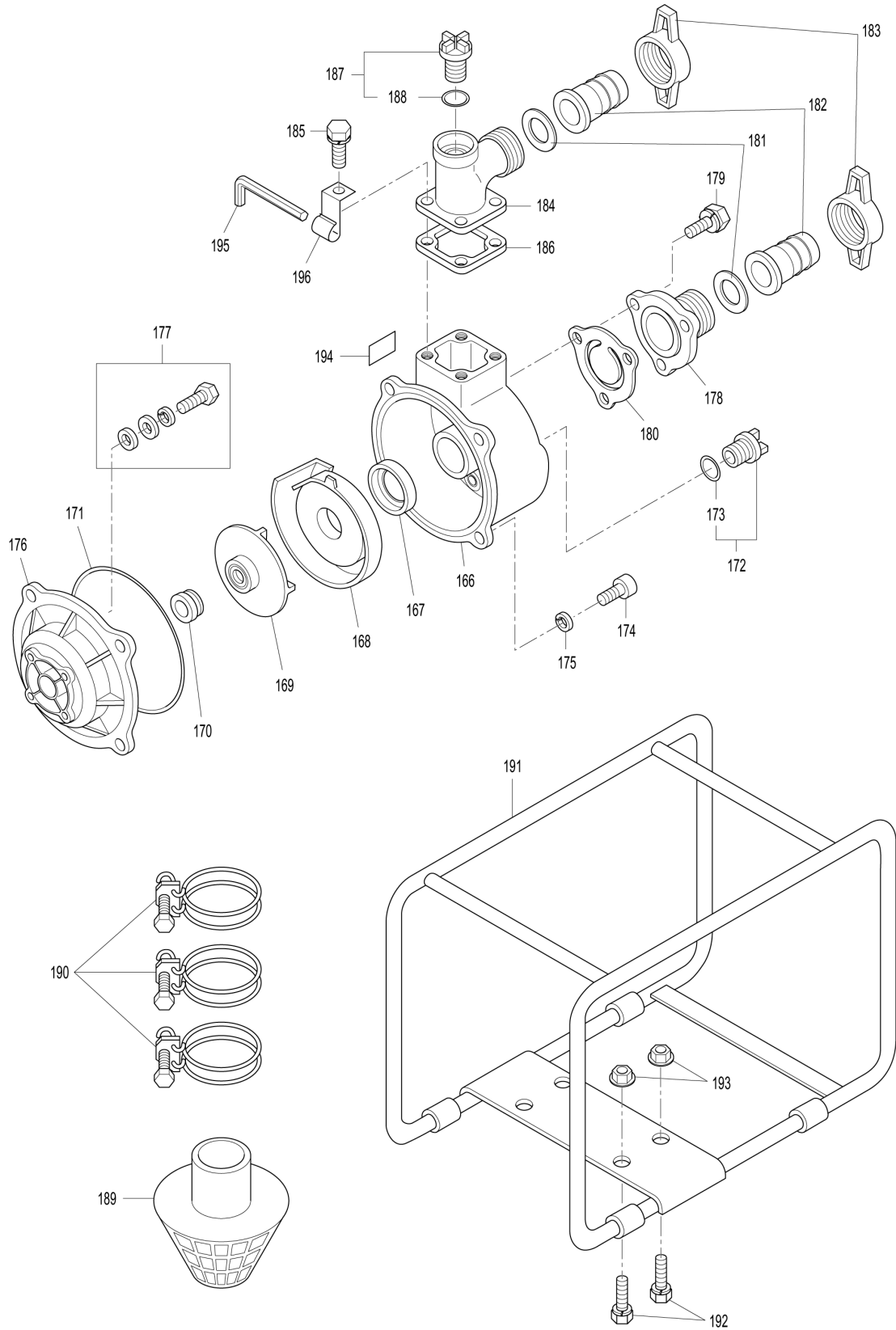
(VN) EW2051H / ENGINE PUMP



(VN) EW2051H / ENGINE PUMP



(VN) EW2051H / ENGINE PUMP



VN	VIETNAM
-----------	----------------

EW2051H / ENGINE PUMP

Item	Sub	Parts No.	Parts Description	Qty	I/C	E/C No.	Close No.	Remark
001		2771010261	CRANK CASE CP	1				
	D10		INC. 4-6,9					
002		2371420203	VALVE GUIDE (OVERSIZE)	2				
003		2771601001	STEM SEAL	1				
004		0440250200	OIL SEAL 25DX38DX7B	1				
005		0600280021	BALL BEARING 62/28 28DX58DX16B	1				
006		2771501103	PIPE KNOCK 10.3DX8.5DX14L	2				
007		0105080250	STUD	2				
008		0105060351	STUD M6X1.0X98L	2				
009		0440060020	OIL SEAL 6DX10DX2.5B	1				
010		0401140030	PLUG	2				
011		0211140020	GASKET	2				
012		2771100151	MAINBEARING COVER CP	1			Y07319	
	D10		INC. 13,14				Y07319	
012-1		2771100161	MAIN BEARING COVER CP	1	O	Y07319		
	D10		INC. 13,14			Y07319		
013		0440250210	OIL SEAL 25DX41.25DX6B	1				
014		X600250140	BALL BEARING 6205	1			Y07318	
014-1		0600250140	BALL BEARING 6205 25DX52DX15B	1	O	Y07318		
015		27745004K1	GOVERNOR GEAR CP	1				
016		2774190201	GOVERNOR SLEEVE CP	1				
017		0213160020	GASKET 16DX23X1.2T	2				
018		2776360130	OIL GAUGE	2				
	D10		INC. 17					
019		0010408350	FLANGE BOLT	6				
020		2771300111	CYLINDER HEAD CP	1				
	D10		INC. 2,3,7,8					
021		2771500143	GASKET(HEAD)	1				
022		0110080240	FLANGE BOLT M8X1.25X16DX68L	4				
023		0110080310	FLANGE BOLT M8X33L	1				
024		2771550301	ROCKER COVER CP	1			Y07509	
024-1		2771550311	ROCKER COVER CP	1	<	Y07509		
025		2771600113	GASKET(ROCKER COVER)T=0.7	1			Y07510	
025-1		2771600123	GASKET(ROCKER COVER)T=0.7	1	<	Y07510		
026		2771501103	PIPE KNOCK 10.3DX8.5DX14L	2				
027		0110060020	FLANGE BOLT M6X1.0X14DX12L	4				
028		2779900167	GASKET SET	1			Y07544	
	D10		INC. 11,17,21,25,65,74,75				Y07544	
028-1		2779900177	GASKET SET	1	O	Y07544		
	D10		INC. 11,17,21,25,65,74,75			Y07544		
029		20A2030201	CRANK SHAFT CP	1			Y07368	
029-1		20A2030211	CRANK SHAFT CP	1	<	Y07368		
030		0180140020	FLANGE NUT M14X1.5X28DX12H	1				
031		0323030010	WOODRUFF KEY	1				
032		2772250110	CONNECTING ROD ASS'Y	1				
	D10		INC. 33					
032A		2772250200	CONNECTING ROD ASSY	1				
	D10		INC. 33					
033		2772300103	CONNECTING ROD BOLT	2				
034		2772330113	PISTON PIN 16DX11DX48.5L	1				
035		27723401J3	PISTON STD	1				
035A		27723403J3	PISTON 0.25 OVER SIZE	1				
035B		27723404J3	PISTON 0.50 OVER SIZE	1				
036-1		20A2353107	PISTON RING SET	1				
036A		2772353207	PISTON RING SET.25 O.S.OIL3PCS	1				
036B		2772353307	PISTON RING SET.50 O.S.OIL3PCS	1				
037		0565160010	CLIP	2				
038-1		2773160131	CAM SHAFT CP	1				
	D10		INC. 41-44					
039		2773510101	PIN(CAM SHAFT)CP	1				
	D10		INC. 40					
040		0240060030	O-RING	1				
041		2773860103	PIN(Spring) 4DX8DX9L	1				
042-1		2773640113	RELEASE LEVER	1				
043		2773650103	CLIP 13.8DX20.3DX0.4T	1				

Interchange
O : Yes
X : No
< : the new part can be substituted for the current.
> : the current part can be substituted for the new.
S : Interchangeable as a set.

VN	VIETNAM
-----------	----------------

EW2051H / ENGINE PUMP

Item	Sub	Parts No.	Parts Description	Qty	I/C	E/C No.	Close No.	Remark
044-1		2773870323	RETURN SPRING	1				
045		2793360103	VALVE SPING	2				
046		2693370103	SPRING RETAINER	2				
047		27733401H3	INTAKE VALVE	1			Y07394	
047-1		20A3340103	INTAKE VALVE	1	O	Y07394		
048		27733501H3	EXHAUST VALVE 23.5DX5.5DX68.1L	1			Y07395	
048-1		20A3350103	EXHAUST VALVE 23.5DX5.5DX68.1L	1	O	Y07395		
049		13210KA031	COLLET VALVE	4				
050		27735602H1	TIMING CHAIN COMPLETE	1				
051		20A3691103	TENSIONER	1				
052		2773710103	SPRING(TENSIONER)	1				
053		2773690203	PIN(TENSIONER) 6DX13DX34L	1				
054		20A3691303	CHAIN GUIDE	1				
055		2773500401	PIN(ROCKER) CP	1				
	D10		INC. 56					
056		0031305000	CLIP	1				
057		2773600107	ROCKER ARM AY SET	1				
	D10		INC. 55,58-61					
058		0149050020	ADJUST SCREW M5X23	1				
059		0149050020	ADJUST SCREW M5X23	1				
060		0170050030	NUT M5	1				
061		0170050030	NUT M5	1				
062		0110060020	FLANGE BOLT M6X1.0X14DX12L	1				
063		27730111J1	MUFFLER CP	1				
064		20A3420101	MUFFLER COVER CP	1				
065		2773520113	GASKET(MUFFLER)	1				
066		0023808000	FLANGE NUT	2				
067		0152060090	TAPPING BOLT	2				
068		0110060010	FLANGE BOLT M6X1.0X14DX8L	1				
069		0110080320	FLANGE BOLT	1				
070		20A0210100	WASHER	1				
071		27737203H1	SCREEN CP	1				
072		0150040060	TAPPING SCREW M4X6L	2				
073		20A3290201	INSULATOR COMPLETE	1				
	D10		INC. 74,75					
074		20A3590303	GASKET 2(INSULATOR)	1				
075		20A3590203	GASKET 1(INSULATOR)	1				
076		0023806000	FLANGE NUT M6	2				
077		0010406200	FLANGE BOLT M6X20	1				
078		2773276008	BREATHER PIPE	1				
079-1		2773271530	AIR CLEANER AY	1			Y07503	
	D10		INC. 80,83,85-87				Y07503	
079-2		2773271540	AIR CLEANER	1	<	Y07503		
	D10		INC. 80,83,85-87			Y07503		
080		2773263018	BASE COMPLETE	1			Y07528	
	D10		INC. 81,82,84				Y07528	
080-1		2773263028	BASE COMPLETE	1	O	Y07528		
081		2773261008	PACKING	1				
082		2773260408	PACKING	1				
083		2773264008	COVER CP	1			Y07503	
083-1		2773264018	COVER COMP.	1	<	Y07503		
084		2773260908	LABEL	1				
085		2773274118	WING NUT	1				
086		2773260718	WING NUT	1				
087-1		20A3263600	ELEMENT SET	1			Y07590	
087-2		2773261107	ELEMENT SET	1	O	Y07590		
088		2774230140	GOVERNOR LEVER	1				
	D10		INC. 93,94					
089		2774220133	GOVERNOR SHAFT	1				
090		2774270123	GOVERNOR ROD COMPLETE	1				
091		2774280123	ROD SPRING 7DX.5DX182L N=16	1				
092		0031305000	CLIP	1				
093		0011406250	BOLT & WASHER ASS'Y	1				
094		0186060020	NUT M6X1.0X4.9H	1				
095		2774251023	GOVERNOR SPRING	1				

Interchange
O : Yes
X : No
< : the new part can be substituted for the current.
> : the current part can be substituted for the new.
S : Interchangeable as a set.

VN	VIETNAM
-----------	----------------

EW2051H / ENGINE PUMP

Item	Sub	Parts No.	Parts Description	Qty	I/C	E/C No.	Close No.	Remark
096		2774330303	SPEED CONTROL LEVER	1				
097		2774350203	STOP PLATE	1				
098		2774450103	WASHER	1				
099		0217060070	FRICITION WASHER	1				
100		0043106250	SCREW	1				
101		2374500423	SPRING(ADJUST)	1				
102		2774600202	SPEED CONTROL BRACKET UNIT	1				
103		0023506000	SELF LOCK NUT	1				
104		0110060020	FLANGE BOLT M6X1.0X14DX12L	2				
105		2775120501	BLOWER HOUSING COMPLETE	1				
106		2779170503	LABEL(MAKITA)	1				
107		0110060030	FLANGE BOLT M6X1.0X14DX14L	4				
108		20A5271101	BAFFLE 1 (CASE) COMPLETE	1				
109		2775270203	BAFFLE 2(HEAD) COMPLETE	1				
110		0010406160	FLANGE BOLT	1				
111		0110060020	FLANGE BOLT M6X1.0X14DX12L	1				
112		20A5410113	COOLING BLOWER	1				
113		0110060030	FLANGE BOLT M6X1.0X14DX14L	4				
114		20A5020130	RECOIL STARTER AY	1				
115		2776010511	FUEL TANK CP	1			Y08175	
115-1		2776010521	FUEL TANK COMPLETE	1	O	Y08175		
116		0732005760	LABEL(WARNING)	1				
117		2779511603	LABEL(MODEL)	1				
118		0430440050	FUEL TANK CAP COMPLETE	1				
119		X641360010	FUEL FILTER	1				
120		X505120020	UNION	1				
121		0023806000	FLANGE NUT M6	2				
122		0110060130	FLANGE BOLT	1				
123		2776260121	FUEL PIPE CP	1				
	D10		INC. 124,125					
124		X851061352	RUBBER PIPE 6.4DX12.7DX148L	1				
125		X561110060	HOSE CLAMP	2				
126		2774380101	CHOKE LEVER CP	1				
127		2766230250	CARBURETOR 276-62302-50	1			Y07337	
	D10		INC. 128-153,156,157				Y07337	
127-1		2766230260	CARBURETOR ASSY	1	<	Y07337		
	D10		INC. 128-153,156,157			Y07337		
128		1066253808	THROTTLE VALVE	1				
129		2096235108	SCREW ASS'Y	1				
130		2776252508	CHOKE VALVE	1				
131		2466242008	PILOT JET (#40)	1				
132		2776252008	CHOKE LEVER	1				
133		2766253118	THROTTLE STEM A	1				
134		2276245108	BOLT	1				
135		2776250008	NEEDLE	1				
136		2776251508	PIN	1				
137		2776250608	FLOAT BODY	1				
138		2146245008	PACKING	1				
139		2146254008	FLOAT CHAMBER PACKING	1				
140		2266250608	FLOAT ASS'Y	1				
141		2766244008	MAIN NOZZLE	1				
142		2526240508	JET 252-62405-08	1				
143		2266270118	CLIP	1				
144		2776236008	BOLT	1				
145		1066255608	SCREW	1				
146		2836235708	SPRING	1				
147		2076241008	AIR JET	1				
148		1066241008	AIR JET(PILOT)	1				
149		2366268008	SEAL	1				
150		2366254108	PACKING	1				
151		2466239008	SEAL	1				
152		2776255308	NUT	1				
153		2796210320	COCK BODY-A	1			Y07343	
	D10		INC. 154,155				Y07343	
153-1		2796210330	COCK BODY-A	1	<	Y07343		

Interchange
O : Yes
X : No
< : the new part can be substituted for the current.
> : the current part can be substituted for the new.
S : Interchangeable as a set.

