



VN	VIETNAM
----	---------

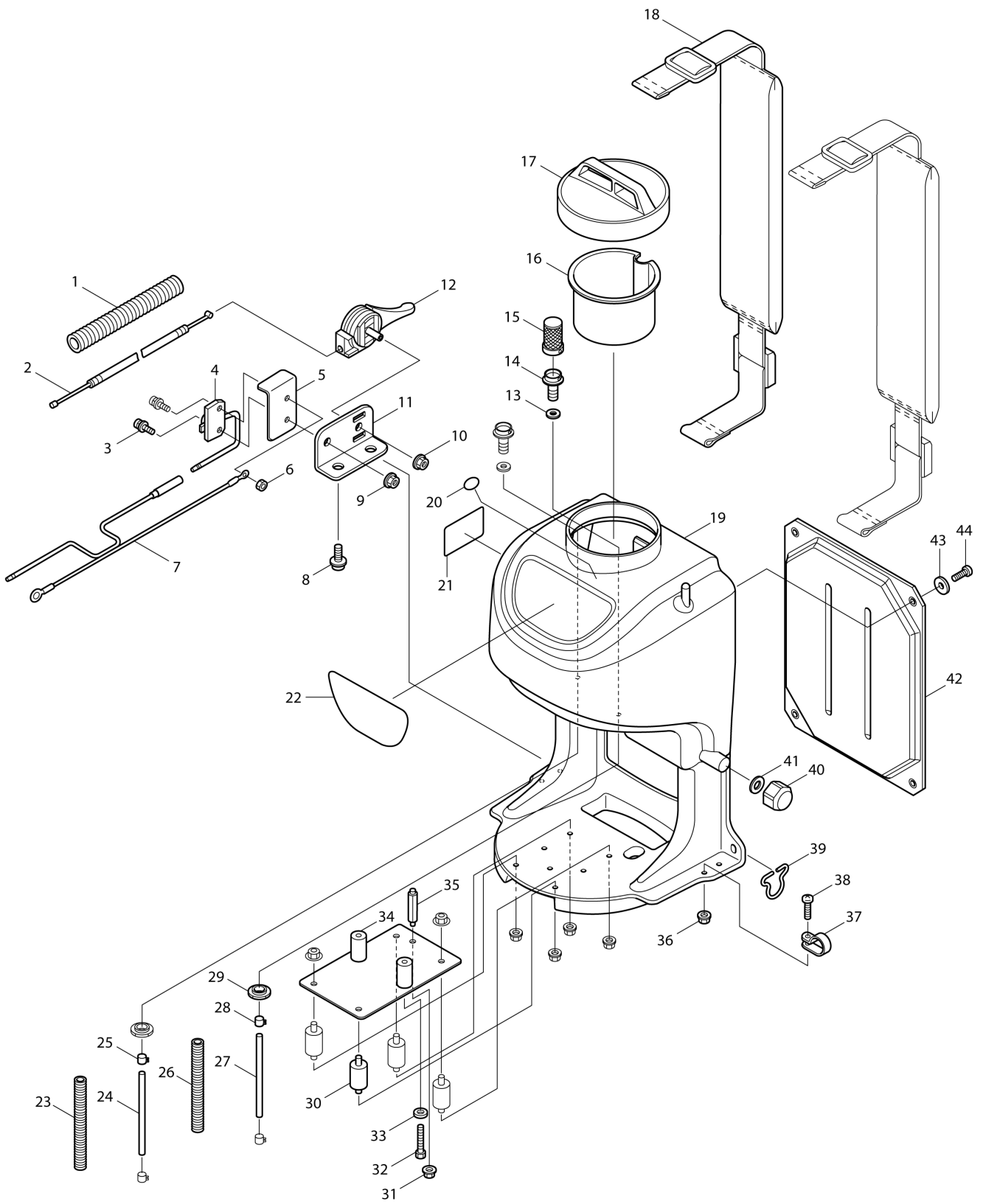
Diagram / Parts List

EVH2000

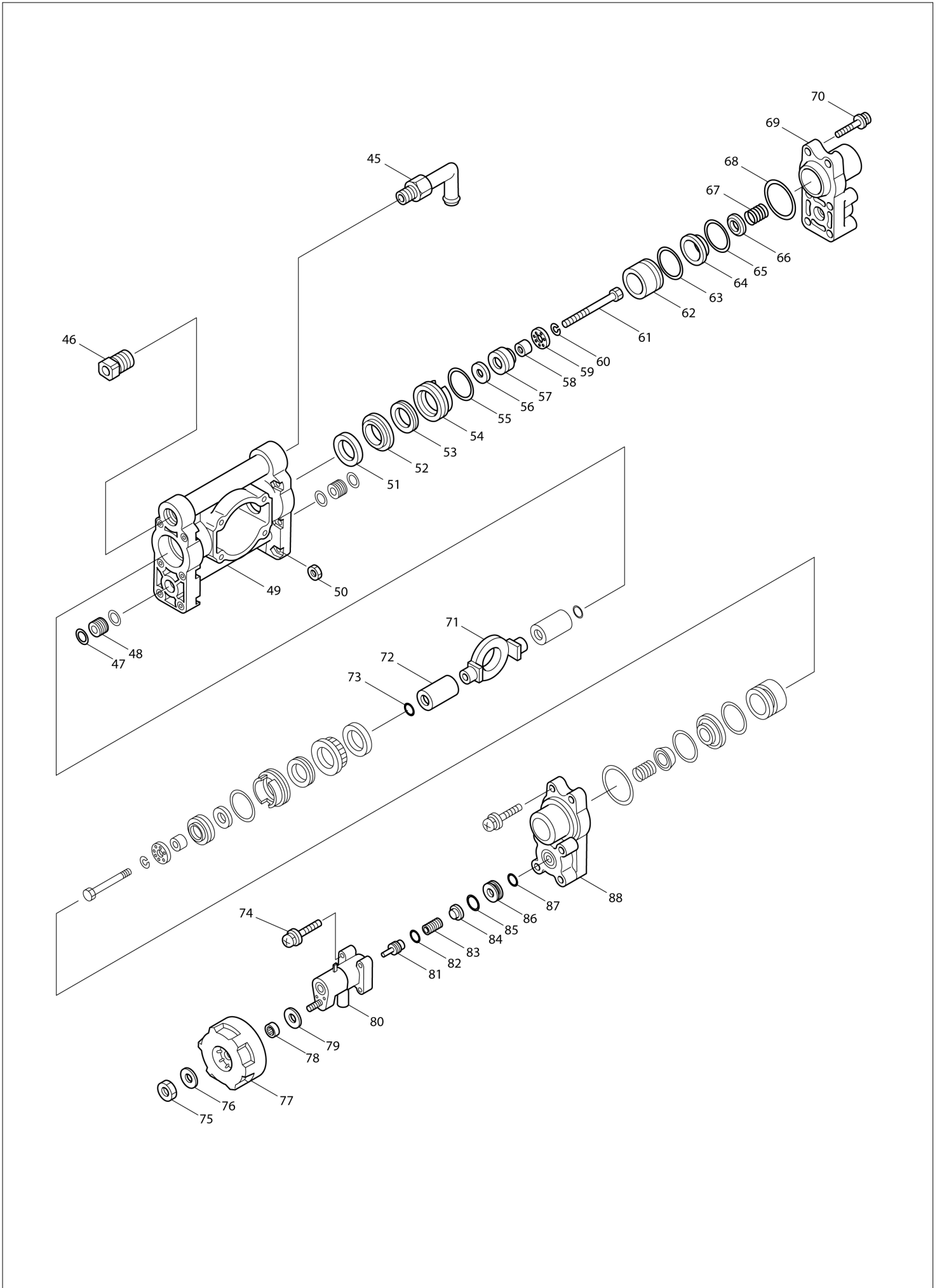
PETROL SPRAYER



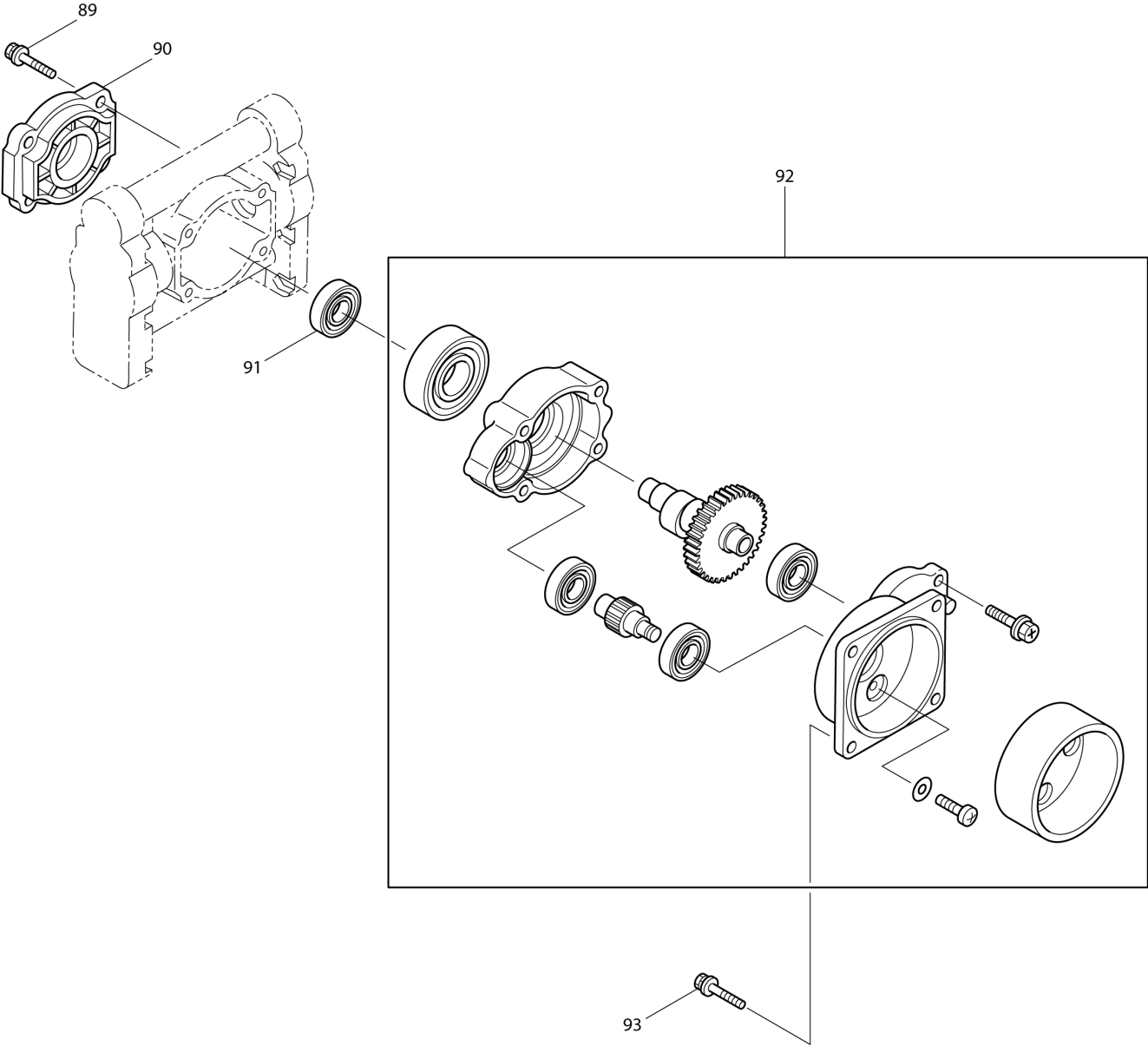
(VN) EVH2000 / PETROL SPRAYER



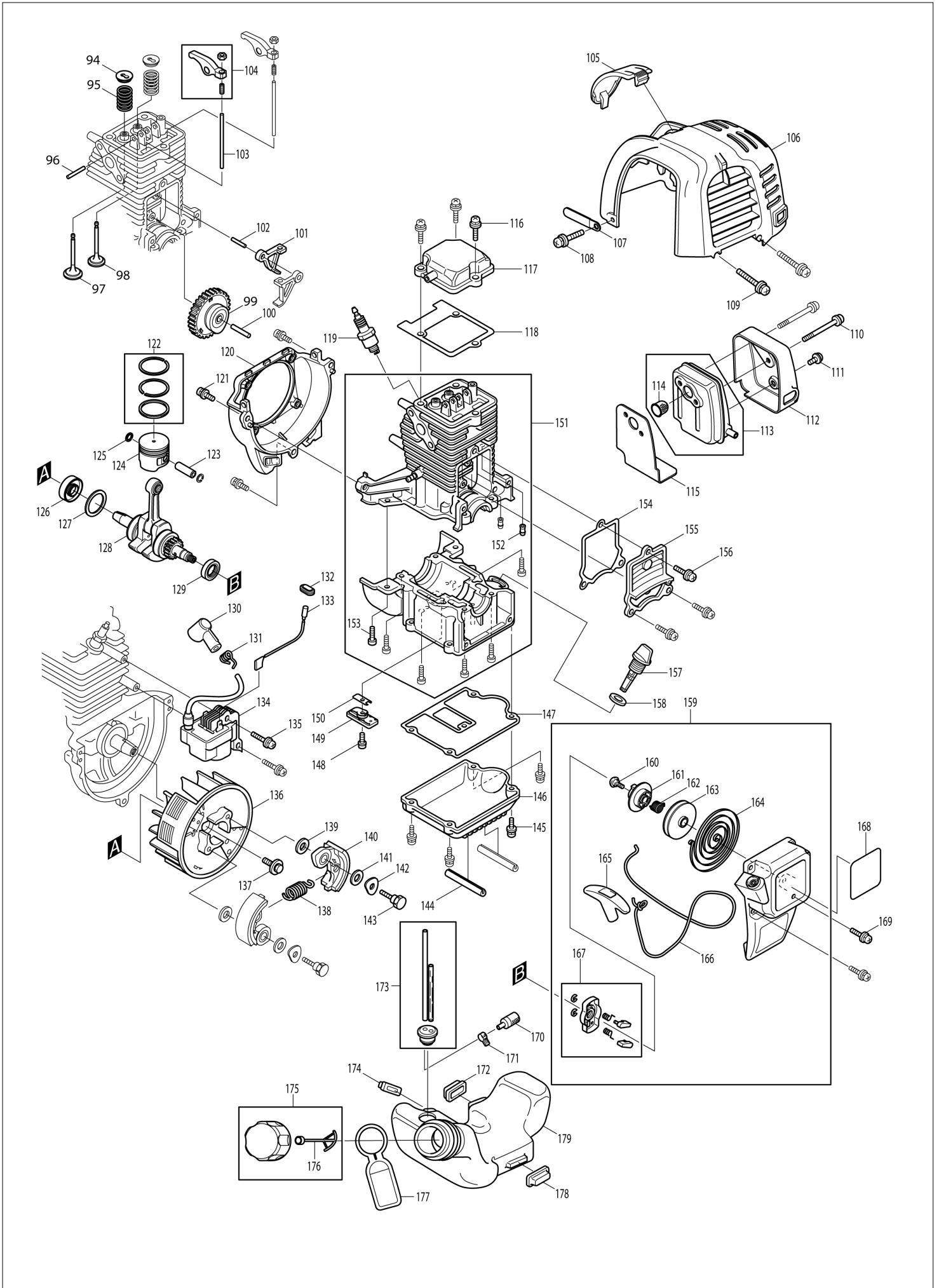
(VN) EVH2000 / PETROL SPRAYER



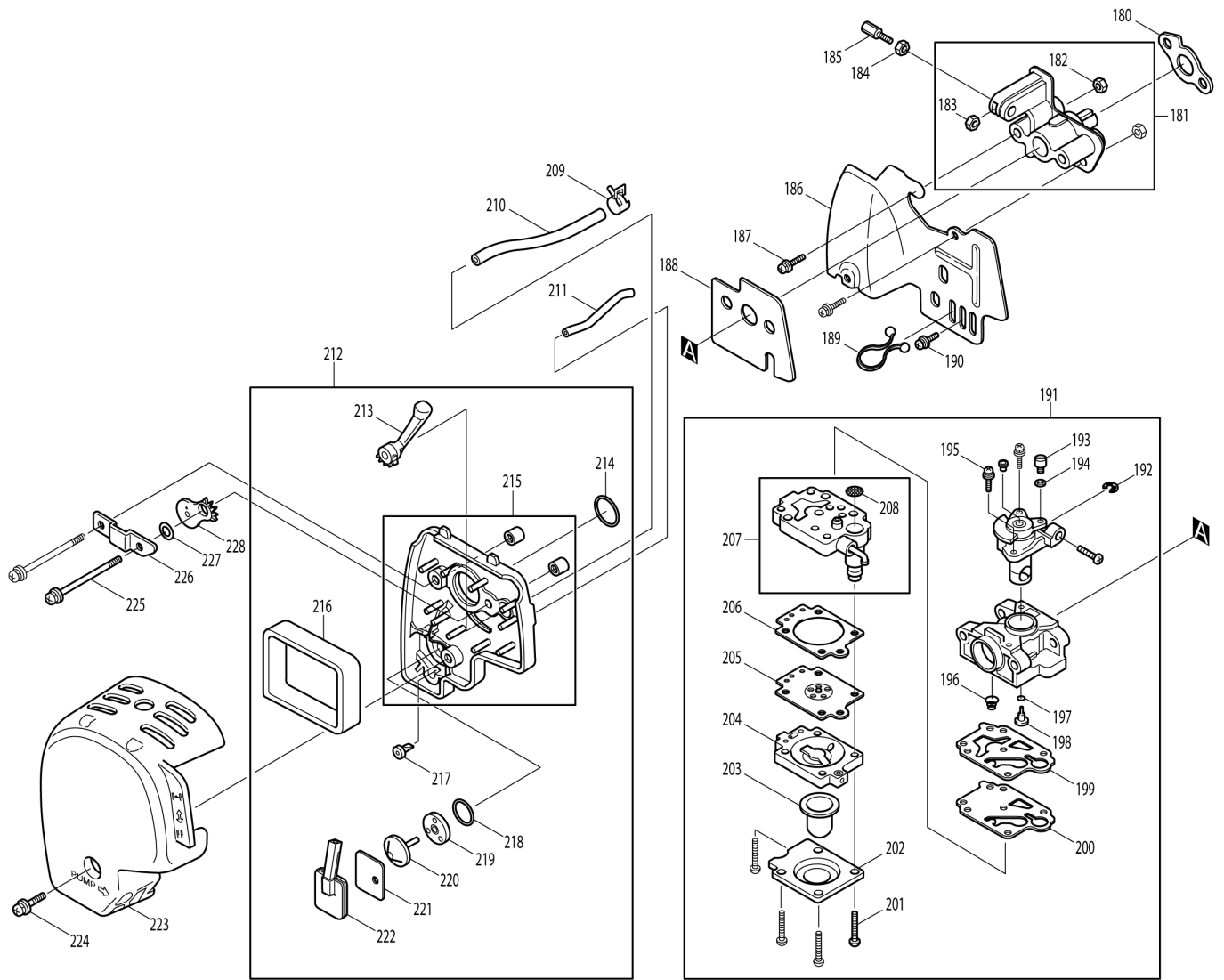
(VN) EVH2000 / PETROL SPRAYER



(VN) EVH2000 / PETROL SPRAYER



(VN) EVH2000 / PETROL SPRAYER



VN	VIETNAM
-----------	----------------

EVH2000 / PETROL SPRAYER

Item	Sub	Parts No.	Parts Description	Qty	I/C	E/C No.	Close No.	Remark
001		6908502400	TUBE,CABLE	1				
002		0630039751	CONTROL CABLE	1				
003		0043604203	SCREW ASSEMBLY M4X20	2			Y05623	
003-1		0140049770	SCREW ASSY M4X16(W,SW)	2	O	Y05623	A8502	
003-2		922128-3	HEX. SOCKET HEAD BOLT M4X16	2	O	A8502		
004		0662009650	STOP SWITCH	1			Y06128	
004-1		0660000371	SWITCH ASSY	1	O	Y06128	B0434	
004-2		123573-7	SWITCH ASSEMBLY	1	O	B0434		
005		6906507500	PLATE, SWITCH	1				
006		0170049990	NUT M4	1				
007		6906503600	WIRE	1				
008		0140059310	SCREW M5X14(W)	2				
009		0023704000	FLANGE NUT M4	1				
010		0023705000	FLANGE NUT M5	9				
011		6906505500	PLATE,CONTROL LEVER	1				
012		6945002000	LEVER COMPLETE	1				
013		0213189970	GASKET	2				
014		6986502100	JOINT	2				
015		6974007000	STRAINER SUCTION	1				
016		6904503601	STRAINER, TANK	1				
017		6954015000	CAP COMPLETE	1				
018		6909070000	BAND COMPLETE	2			Y06286	
018-1		6909070001	BAND COMPLETE	2	O	Y06286	C0378A	
018-2		161885-0	BAND COMPL	2	O	C0378A		
019		6904017000	TANK CP	1			A0671	
019-1		6904017002	TANK COMPL	1	O	A0671		
020		5929505400	LABEL	1				
021		6909539700	LABEL,CAUTION	1				
022		6909538900	LABEL,TANK	1				
023		6908502602	TUBE,CABLE	1				
024		0851289950	TUBE	1				
025		0561149980	HOSE CLAMP	2				
026		6908502501	TUBE,CABLE	1				
027		0851389980	TUBE	1				
028		0561159960	HOSE,CLAMP	2				
029		6974500600	NUT,SUCTION	2				
030		6906504300	DAMPER(1)CP	4			Y05546	
030-1		6906504301	DAMPER(1)COMPLETE	4	<	Y05546	C4339	
030-2		162535-0	DAMPER COMPLETE	4	O	C4339		
031		0023706000	FLANGE NUT M6	1			Y06268	
031-1		264092-5	FLANGE NUT M6	1	O	Y06268		
032		0011005400	BOLT AY M5X40	2				
033		0031205000	WASHER	2			C2963	
033-1		253424-1	FLAT WASHER 6	2	O	C2963		
034		6906507301	PLATE	1				
035		6901504301	BOLT	1				
036		0023704000	FLANGE NUT M4	1				
037		0561159970	HOSE CLAMP	1			B6894	
037-1		457777-2	HOSE CLAMP	1	O	B6894		
038		0043604203	SCREW ASSEMBLY M4X20	1			C2147	
038-1		911138-5	P.H.SCREW M4X20 WITH WR	1	O	C2147		
039		6904507500	HOOK	2				
040		6824505200	CAP	1			Y06152	
040-1		453615-6	CAP	1	O	Y06152		
041		6904500300	GASKET, BLIND	1				
042		6904507400	CUSHION	1				
043		0031205000	WASHER	4			C2963	
043-1		253424-1	FLAT WASHER 6	4	O	C2963		
044		0140059980	SCREW M5X10	4			A3687	
044-1		0043605120	SCREW ASS'Y M5X12	4	O	A3687		
045		10266100MS	ELBOW	1			Y06304	
045-1		MR00102661	ELBOW	1	O	Y06304		
046		10846000MS	PLUG	1			Y06304	
046-1		MR00108460	PLUG	1	O	Y06304		
047		01417500MS	O RING	4			Y06304	

Interchange
O : Yes
X : No
< : the new part can be substituted for the current.
> : the current part can be substituted for the new.
S : Interchangeable as a set.

VN	VIETNAM
-----------	----------------

EVH2000 / PETROL SPRAYER

Item	Sub	Parts No.	Parts Description	Qty	I/C	E/C No.	Close No.	Remark
047-1		MR00014175	O RING	4	O	Y06304		
048		10055400MS	PIPE	2			Y06304	
048-1		MR00100554	PIPE	2	O	Y06304		
049		12183200MS	CRANK CASE AY	1			Y06304	
049-1		MR00121832	CRANK CASE AY	1	O	Y06304	Y07338	
049-2		MR00121831	CRANK CASE AY	1	O	Y07338		
050		08123800MS	NUT M5	12			Y06304	
050-1		MR00081238	NUT M5	12	O	Y06304		
051		10268300MS	OIL SEAL	2			Y06304	
051-1		MR00102683	OIL SEAL	2	O	Y06304		
052		10619000MS	COLLER	2			Y06304	
052-1		MR00106190	COLLAR	2	O	Y06304		
053		11225200MS	SEAL PACKING	2			Y06304	
053-1		MR00112252	SEAL PACKING	2	O	Y06304		
054		10235800MS	SEAL HOLDER	2			Y06304	
054-1		MR00102358	SEAL HOLDER	2	O	Y06304		
055		01397700MS	O RING	2			Y06304	
055-1		MR00013977	O RING	2	O	Y06304		
056		04342600MS	SUCTION VALVE	2			Y06304	
056-1		MR00043426	SUCTION VALVE	2	O	Y06304		
057		10044100MS	PISTON PACKING AY	2			Y06304	
057-1		MR00100441	PISTON PACKING AY	2	O	Y06304		
058		02335700MS	SUCTION VALVE COLLER	2			Y06304	
058-1		MR00023357	SUCTION VALVE COLLAR	2	O	Y06304		
059		02202300MS	SUCTION VALVE STOPPER	2			Y06304	
059-1		MR00022023	SUCTION VALVE STOPPER	2	O	Y06304		
060		01584800MS	SPRING WASHER M5	2			Y06304	
060-1		MR00015848	SPRING WASHER M5	2	O	Y06304		
061		11835700MS	BOLT M5X45X22	2			Y06304	
061-1		MR00118357	BOLT M5X45X22	2	O	Y06304		
062		10313000MS	CYLINDER PIPE	2			Y06304	
062-1		MR00103130	CYLINDER PIPE	2	O	Y06304		
063		02317200MS	O RING	2			Y06304	
063-1		MR00023172	O RING	2	O	Y06304		
064		11801800MS	VALVE SEAT	2			Y06304	
064-1		MR00118018	VALVE SEAT	2	O	Y06304		
065		10357500MS	O RING	2			Y06304	
065-1		MR00103575	O RING	2	O	Y06304		
066		04372300MS	VALVE	2			Y06304	
066-1		MR00043723	VALVE	2	O	Y06304		
067		04336000MS	COIL SPRING	2			Y06304	
067-1		MR00043360	COIL SPRING	2	O	Y06304		
068		01398300MS	O RING	2			Y06304	
068-1		MR00013983	O RING	2	O	Y06304		
069		10312800MS	CYLINDER HEAD A	1			Y06304	
069-1		MR00103128	CYLINDER HEAD A	1	O	Y06304		
070		12195600MS	SCREW AY M5X32(W,SW)	8			Y06304	
070-1		MR00121956	SCREW AY M5X32(W,SW)	8	O	Y06304		
071		12117900MS	CORN ROD	1			Y06304	
071-1		MR00121179	CORN ROD	1	O	Y06304	Y06684	
071-2		XMR0121179	CORN ROD	1	O	Y06684		
072		11805500MS	SLEEVE	2			Y06304	
072-1		MR00118055	SLEEVE	2	O	Y06304		
073		02154900MS	O RING	2			Y06304	
073-1		MR00021549	O RING	2	O	Y06304		
074		81603600MS	SCREW AY M5X60(W,SW)	4			Y06304	
074-1		MR00816036	SCREW AY M5X60(W,SW)	4	O	Y06304		
075		08103900MS	NUT M8	1			Y06304	
075-1		MR00081039	NUT M8	1	O	Y06304	Y07338	
075-2		MR00126521	NUT M8	1	O	Y07338		
076		01406500MS	WASHER M8	1			Y06304	
076-1		MR00014065	WASHER M8	1	O	Y06304	Y07338	
076-2		MR00127216	WASHER M8	1	O	Y07338		
077		10719800MS	CAM HANDLE	1			Y06304	
077-1		MR00107198	CAM HANDLE	1	O	Y06304		

Interchange
O : Yes
X : No
< : the new part can be substituted for the current.
> : the current part can be substituted for the new.
S : Interchangeable as a set.

VN	VIETNAM
-----------	----------------

EVH2000 / PETROL SPRAYER

Item	Sub	Parts No.	Parts Description	Qty	I/C	E/C No.	Close No.	Remark
078		10327000MS	COLLER	1			Y06304	
078-1		MR00103270	COLLAR	1	O	Y06304	Y07338	
078-2		MR00127225	COLLAR	1	O	Y07338		
079		02001200MS	WASHER	1			Y06304	
079-1		MR00020012	WASHER	1	O	Y06304	Y07338	
079-2		MR00127217	WASHER	1	O	Y07338		
080		10313200MS	SPRING CASE	1			Y06304	
080-1		MR00103132	SPRING CASE	1	O	Y06304		
081		12161800MS	SPRING HOLDER	1			Y06304	
081-1		MR00121618	SPRING HOLDER	1	O	Y06304		
082		01168200MS	O RING	1			Y06304	
082-1		MR00011682	O RING	1	O	Y06304		
083		10375900MS	SPRING	1			Y06304	
083-1		MR00103759	SPRING	1	O	Y06304		
084		12161900MS	VALVE	1			Y06304	
084-1		MR00121619	VALVE	1	O	Y06304		
085		01134600MS	O RING	1			Y06304	
085-1		MR00011346	O RING	1	O	Y06304		
086		10374600MS	VALVE SEAT	1			Y06304	
086-1		MR00103746	VALVE SEAT	1	O	Y06304		
087		01134300MS	O RING	1			Y06304	
087-1		MR00011343	O RING	1	O	Y06304		
088		10263400MS	CYLINDER HEAD B	1			Y06304	
088-1		MR00102634	CYLINDER HEAD B	1	O	Y06304		
089		11808500MS	BOLT AY M6X55	4			Y06304	
089-1		MR00118085	BOLT AY M6X55	4	O	Y06304	Y07338	
089-2		MR00127231	BOLT AY M6X55	4	O	Y07338		
090		11800600MS	BEARING CASE	1			Y06304	
090-1		MR00118006	BEARING CASE	1	O	Y06304		
091		10268000MS	BEARING	1			Y06304	
091-1		MR00102680	BEARING	1	O	Y06304		
092		12201300MS	MISSION UNIT	1			Y06304	
092-1		MR00122013	MISSION UNIT	1	O	Y06304		
093		0011606160	BOLT M6X16	4				
094		5923501300	SPRING RETAINER	2			Y06152	
094-1		325668-4	SPRING RETAINER	2	O	Y06152		
095		5923501200	VALVE SPRING	2			Y06152	
095-1		234108-0	COMPRESSION SPRING 9	2	O	Y06152		
096		5933500100	ROCKER SHAFT	1			Y06152	
096-1		256200-2	PIN 5	1	O	Y06152		
097		5923501500	INTAKE VALVE	1			Y06152	
097-1		325670-7	INTAKE VALVE	1	O	Y06152	A2770	
097-2		326367-1	INTAKE VALVE	1	O	A2770		
098		5923501400	EXHAUST VALVE	1			Y06152	
098-1		325669-2	EXHAUST VALVE	1	O	Y06152	A2770	
098-2		326366-3	EXHAUST VALVE	1	O	A2770		
099		5933003000	CAM GEAR ASS'Y	1			Y06152	
099-1		125552-1	CAM GEAR ASSEMBLY	1	O	Y06152		
100		5923500501	CAM GEAR SHAFT	1			Y06152	
100-1		268238-5	PIN 5	1	O	Y06152		
101		5923500001	CAM LIFTER	2			Y06118	
101-1		313169-4	CAM LIFTER	2	O	Y06118		
102		5923500600	CAM LIFTER SHAFT	1			Y06152	
102-1		268239-3	PIN 4	1	O	Y06152		
103		5923500700	PUSH ROD	2			Y06152	
103-1		256865-0	ROD 2.5	2	O	Y06152		
104		5933002000	ROCKER ARM ASS'Y	2			Y06152	
104-1		125554-7	ROCKER ARM ASSEMBLY	2	O	Y06152		
105		5927500000	PLUG COVER	1			Y06152	
105-1		450568-0	PLUG COVER	1	O	Y06152		
106		5925500800	CYLINDER COVER	1				
107		0566059980	CLAMP	1			Y06152	
107-1		345963-6	CLAMP	1	O	Y06152		
108		0140059370	SCREW ASS'Y M5X12	2			Y06152	
108-1		266808-4	P.H.SCREW M5X12 WITH WR	2	O	Y06152		

Interchange
O : Yes
X : No
< : the new part can be substituted for the current.
> : the current part can be substituted for the new.
S : Interchangeable as a set.

VN	VIETNAM
-----------	----------------

EVH2000 / PETROL SPRAYER

Item	Sub	Parts No.	Parts Description	Qty	I/C	E/C No.	Close No.	Remark
109		0140049770	SCREW ASSY M4X16(W,SW)	2			D0218	
109-1		911128-8	P.H.SCREW M4X16 WITH WR	2	O	D0218		
110		0119059520	SOCKET HEAD BOLT M5X40	2			Y06152	
110-1		266440-4	HEX SOCKET HEAD BOLT M5X40	2	O	Y06152		
111		0140059962	SCREW M5X5	1				
112		5923503400	MUFFLER COVER	1			Y06152	
112-1		345915-7	MUFFLER COVER	1	O	Y06152		
113		5923008001	MUFFLER AY	1				
	D10		INC.114					
114		5923008011	SPARK ARRESTER	1			Y06152	
114-1		324980-9	SPARK ARRESTER	1	O	Y06152		
115		5923501601	MUFFLER GASKET	1			Y05986	
115-1		345916-5	MUFFLER GASKET	1	O	Y05986		
116		0043605160	SCREW ASS'Y M5X16 (W,SW)	3			Y05610	
116-1		0119059531	SOCKET HEAD BOLT M5X16(W,SW)	3	O	Y05610	Y06152	
116-2		266813-1	H.S.H.BOLT M5X16 WITH WR	3	O	Y06152		
117		5921004001	ROCKER COVER COMPLETE	1			Y06152	
117-1		140023-7	ROCKER COVER COMPLETE	1	O	Y06152	C2837	
117-2		140B46-7	ROCKER COVER COMPLETE	1	<	C2837		
118		5921500800	ROCKER COVER GASKET	1			Y06152	
118-1		162275-0	ROCKER COVER GASKET	1	O	Y06152		
119		0650109950	SPARK PLUG CMR6A	1			Y06073	
119-1		168401-9	SPARK PLUG	1	O	Y06073		
120		5255501100	HOUSING,BLOWER	1				
121		0140059350	SCREW ASS'Y M5X18(W,SW)	3			Y05610	
121-1		0119059470	SOCKET HEAD BOLT M5X16	3	O	Y05610	Y06152	
121-2		266812-3	H.S.H.BOLT M5X16	3	O	Y06152		
122		5922004000	PISTON RING SET	1			Y06172	
122-1		195145-8	PISTON RING SET	1	O	Y06172	A2770	
122-2		196595-0	PISTON RING SET	1	O	A2770		
123		5232502600	PISTON PIN	1			Y06152	
123-1		257781-9	PISTON PIN	1	O	Y06152		
124		5922500900	PISTON	1			Y06152	
124-1		318441-9	PISTON	1	O	Y06152		
125		0565089970	CLIP	2			Y06152	
125-1		233976-8	CLIP	2	O	Y06152		
126		0440129960	OIL SEAL (L)	1			Y06152	
126-1		213147-3	OIL SEAL 12	1	O	Y06152	B2951	
126-2		213089-1	OIL SEAL 12	1	<	B2951		
127		5421500500	CLIP	1			Y06152	
127-1		267400-9	FLAT WASHER 23	1	O	Y06152		
128		5922003000	CRANK SHAFT ASS'Y	1			Y06422	
128-1		135374-1	CRANKSHAFT ASSEMBLY	1	O	Y06422	B1040	
128-2		135539-5	CRANKSHAFT ASSEMBLY	1	O	B0140		
129		0440109970	OIL SEAL (S)	1			Y06152	
129-1		213148-1	OIL SEAL 10	1	O	Y06152	Y06368	
129-2		213769-9	OIL SEAL 10	1	O	Y06368		
130		5927500100	PLUG CAP	1			Y06152	
130-1		424105-6	PLUG CAP	1	O	Y06152		
131		0654009931	PLUG CAP SPRING	1			Y06152	
131-1		324891-8	PLUG CAP SPRING	1	O	Y06152		
132		5257500300	GROMMET	1			Y05605	
133		5257018001	WIRE COMPLETE	1			Y06152	
133-1		638665-4	LEAD UNIT	1	O	Y06152	B1493	
133-2		632E39-1	LEAD UNIT	1	S	B1493		
134		5927012011	IGNITION COIL	1			Y06152	
134-1		168501-5	IGNITION COIL	1	O	Y06152	B1493	
134-2		168816-0	IGNITION COIL	1	S	B1493		
135		0043704200	SCREW ASS'Y M4X20	2			Y05610	
135-1		0119049970	SOCKET HEAD BOLT M4X20	2	O	Y05610		
136		5927009010	FLYWHEEL	1			Y07310	
136-1		318343-9	FLYWHEEL	1	O	Y07310	B1493	
136-2		319012-5	FLYWHEEL	1	O	B1493		
137		0130069940	BOLT ASSEMBLY M6X16(W,SW)	1			Y06152	
137-1		265577-4	HEX HEAD BOLT M6X16	1	O	Y06152		

Interchange
O : Yes
X : No
< : the new part can be substituted for the current.
> : the current part can be substituted for the new.
S : Interchangeable as a set.

EVH2000 / PETROL SPRAYER

Item	Sub	Parts No.	Parts Description	Qty	I/C	E/C No.	Close No.	Remark
138		5258001010	CLUTCH SPRING	1				
139		6202500600	WASHER	2			Y06152	
139-1		267429-5	FLAT WASHER 6	2	O	Y06152		
140		5258002010	SHOE,CLUTCH	2			Y05622	
140-1		5928008010	SHOE,CLUTCH	2	O	Y05622		
141		0031008000	WASHER	2			C3693	
141-1		941202-8	FLAT WASHER 8	2	O	C3693		
142		0200089911	WASHER M8	2			Y06152	
142-1		267817-6	WASHER 8	2	O	Y06152		
143		6252500400	CLUTCH BOLT	2			Y06152	
143-1		266457-7	SHOULDER HEX. BOLT M6X25	2	O	Y06152	C1340	
143-2		266864-4	SHOULDER HEX. BOLT M6X25	2	O	C1340		
144		5926500900	GUARD,CASE OIL	2			Y06152	
144-1		424530-1	OIL CASE GUARD	2	O	Y06152		
145		0043605180	SCREW ASS'Y M5X18	4			Y05404	
145-1		0119059510	SOCKET HEAD BOLT M5X14	4	O	Y05404	Y06152	
145-2		266811-5	H.S.H.BOLT M5X14	4	O	Y06152		
146		5926500000	OIL CASE	1			Y06152	
146-1		318442-7	OIL CASE	1	O	Y06152		
147		5926500100	CASE GASKET	1			Y06152	
147-1		162276-8	CASE GASKET	1	O	Y06152		
148		0119049980	SOCKET HEAD BOLT M4X10	1			A5342	
148-1		266810-7	H.S.H.BOLT M4X10	1	<	A5342		
149		5921501100	RETAINER PLATE	1			Y06152	
149-1		318440-1	RETAINER PLATE	1	O	Y06152		
150		5921501000	REED VALVE	1			Y06152	
150-1		346083-9	LEAD VALVE	1	O	Y06152		
151		5921009003	CYLINDER BLOCK SET	1			Y05605	
	D10		INC.152,153				Y05605	
151-1		5921026000	CYLINDER BLOCK SET	1	S	Y05605	Y06032	
	D10		INC.152,153			Y05605	Y06032	
151-2		5921045000	CYLINDER BLOCK SET	1	S	Y06032	Y06884	
	D10		INC.152,153			Y06032	Y06884	
151-3		135562-0	CYLINDER BLOCK ASSEMBLY	1	O	Y06884		
	D10		INC.152,153			Y06884		
152		5921501400	SPACER	2			Y06032	
152-1		5921501400	SPACER	2	O	Y06032	Y06152	
152-2		424200-2	SPACER	2	O	Y06152		
153		0119059510	SOCKET HEAD BOLT M5X14	8			Y06032	
153-1		0119059510	SOCKET HEAD BOLT M5X14	8	O	Y06032	Y06152	
153-2		266811-5	H.S.H.BOLT M5X14	8	O	Y06152		
154		5921500700	CAMGEAR COVER GASKET	1			Y06152	
154-1		162274-2	CAM GEAR COVER GASKET	1	O	Y06152		
155		5921500502	CAMGEAR COVER	1			Y06152	
155-1		318443-5	CAM GEAR COVER	1	O	Y06152		
156		0043605140	SCREW ASS'Y M5X14	3			Y05610	
156-1		0119059510	SOCKET HEAD BOLT M5X14	3	O	Y05610	Y06152	
156-2		266811-5	H.S.H.BOLT M5X14	3	O	Y06152		
157		5926500600	OIL GAUGE	1			Y06152	
157-1		450565-6	OIL GAUGE	1	O	Y06152		
158		0213169990	GASKET	1			Y06152	
158-1		424100-6	GASKET	1	O	Y06152		
159		5925005001	STARTER ASS'Y	1				
	D10		INC.160-167					
160		5195002060	SET SCREW	1			Y06152	
160-1		266585-8	TAPPING SCREW 5X12	1	O	Y06152		
161		5195019020	CAM PLATE	1			Y06152	
161-1		451940-9	CAM PLATE	1	O	Y06152		
162		5195019030	DAMPER SPRING	1			Y06152	
162-1		233984-9	DAMPER SPRING	1	O	Y06152	C0768	
162-2		233578-0	DAMPER SPRING	1	O	C0768		
163		5255050010	REEL	1			Y06152	
163-1		451939-4	REEL	1	O	Y06152		
164		5215002030	SPIRAL SPRING	1			Y06152	
164-1		232258-5	SPIRAL SPRING	1	O	Y06152		

Interchange
O : Yes
X : No
< : the new part can be substituted for the current.
> : the current part can be substituted for the new.
S : Interchangeable as a set.

VN	VIETNAM
-----------	----------------

EVH2000 / PETROL SPRAYER

Item	Sub	Parts No.	Parts Description	Qty	I/C	E/C No.	Close No.	Remark
165		5225004020	HANDLE	1			Y06152	
165-1		424319-7	STARTER KNOB	1	O	Y06152		
166		5925006010	STARTER ROPE	1			Y07776	
166-1		444020-8	STARTER ROPE	1	O	Y07776		
167		5925022000	PULLEY	1			Y06152	
167-1		168471-8	PULLEY	1	O	Y06152		
168		6909539200	LABEL,MODEL	1				
169		0140049770	SCREW ASSY M4X16(W,SW)	2			D0218	
169-1		911128-8	P.H.SCREW M4X16 WITH WR	2	O	D0218		
170		5236503900	FILTER	1			Y06152	
170-1		163447-0	FUEL FILTER	1	O	Y06152	B3537	
170-2		163447-0	FUEL FILTER	1	O	B3537		
171		0561059990	HOSE CLAMP	1			Y06152	
171-1		345920-4	HOSE CLAMP	1	O	Y06152		
172		5036500300	PLATE	1			Y06152	
172-1		424103-0	PLATE	1	O	Y06152		
173		5926003000	TUBE	1			Y06152	
173-1		168472-6	TUBE COMPLETE	1	O	Y06152		
174		5036500200	PLATE	1			Y06152	
174-1		424102-2	PLATE	1	O	Y06152		
175		5926017000	FUEL TANK CAP ASSY	1			Y06152	
	D10		INC.176				Y06152	
175-1		125472-9	FUEL TANK CAP ASSEMBLY	1	O	Y06152	C4429	
	D10		INC.176			Y06152	C4429	
175-2		127108-6	FUEL TANK CAP ASSEMBLY	1	O	C4429		
	D10		INC.176			C4429		
176		5256067000	STRAP	1			Y06152	
176-1		140436-2	STRAP COMPLETE	1	O	Y06152		
177		6249501501	STRAP	1			C0263	
177-1		810455-9	CAUTION PLATE	1	<	C0263		
178		5196500302	DAMPER	1			Y06152	
178-1		424104-8	DAMPER	1	O	Y06152		
179		5926500400	FUEL TANK	1			Y06152	
179-1		450566-4	FUEL TANK	1	O	Y06152	A1018	
179-2		455003-3	FUEL TANK	1	O	A1018	A6711	
179-3		450566-4	FUEL TANK	1	O	A6711		
180		5923501801	INSULATOR GASKET	1			Y05605	
180-1		5923504700	INSULATOR GASKET	1	S	Y05605	Y06152	
180-2		413120-5	INSULATOR GASKET	1	O	Y06152		
181		5923005002	INSULATOR COMPLETE	1			Y05605	
	D10		INC.182,183				Y05605	
181-1		5923016000	INSULATOR COMPLETE	1	S	Y05605	Y06152	
181-2		450559-1	INSULATOR	1	O	Y06152		
182		0021705000	NUT M5	2			Y05605	
183		0022706000	NUT M6	1			Y05605	
184		0022706000	NUT M6	1			Y05605	
185		0149060120	ADJUSTING SCREW	1				
186		5923502000	CARBURETOR INSULATOR	1			Y05605	
187		0043605180	SCREW ASS'Y M5X18	2			Y05605	
187-1		0119059870	SOCKET HEAD BOLT M5X18	2	O	Y05605	Y06152	
187-2		266787-6	H.S.H.BOLT M5X18 WITH WR	2	O	Y06152		
188		5923504000	CARBURETOR GASKET	1			Y06152	
188-1		413121-3	CARBURETOR GASKET	1	O	Y06152		
189		5926501300	CLAMP	1			Y06152	
189-1		450562-2	CLAMP	1	O	Y06152		
190		0140059370	SCREW ASS'Y M5X12	1			Y05605	
190-1		0119059780	SOCKET HEAD BOLT M5X12	1	O	Y05605	Y06584	
190-2		922213-2	H.S.H.BOLT M5X12 WITH WR	1	O	Y06584		
191		5926009000	CARBURETOR	1			Y06152	
	D10		INC.192-207				Y06152	
191-1		168497-0	CARBURETOR	1	O	Y06152		
	D10		INC.192-207			Y06152		
192		5316005120	RING	1			Y06152	
192-1		257964-1	STOP RING E-3	1	O	Y06152		
193		5236018040	SWIVEL	1			Y06152	

Interchange
O : Yes
X : No
< : the new part can be substituted for the current.
> : the current part can be substituted for the new.
S : Interchangeable as a set.

VN	VIETNAM
-----------	----------------

EVH2000 / PETROL SPRAYER

Item	Sub	Parts No.	Parts Description	Qty	I/C	E/C No.	Close No.	Remark
193-1		325922-6	SWIVEL	1	O	Y06152		
194		5426005030	WASHER	1			Y06152	
194-1		413140-9	WASHER	1	O	Y06152		
195		5206008030	PAN HEAD SCREW	2			Y06152	
195-1		266581-6	PAN HEAD SCREW M3X8 WITH W	2	O	Y06152	Y06995	
195-2		WJ00096364	SCREW M3X8 WITH WASHER	2	O	Y06995		
196		5926002020	PUMP SPRING	1			Y06152	
196-1		234183-6	CONICAL COMPRESSION SPRING 5-9	1	O	Y06152		
197		5246001010	O RING	1			Y06152	
197-1		213538-8	O RING 2	1	O	Y06152		
198		5196002020	JET	1			Y06152	
198-1		325924-2	JET	1	O	Y06152		
199		5926002040	PUMP GASKET	1			Y06152	
199-1		442155-9	PUMP GASKET	1	O	Y06152		
200		5246001040	PUMP DIAPHRAGM	1			Y06152	
200-1		168575-6	PUMP DIAPHRAGM	1	O	Y06152	Y07366	
200-2		WJ00009599	PUMP DIAPHRAGM	1	O	Y07366		
201		5236046010	PUMP COVER SCREW	4			Y06152	
201-1		266582-4	TAPPING SCREW 3X24	4	O	Y06152		
202		5236046050	PRIMER PUMP COVER	1			Y06152	
202-1		346270-0	PRIMER PUMP COVER	1	O	Y06152		
203		5246001150	PRIMER PUMP	1			Y06152	
203-1		424314-7	PRIMER PUMP	1	O	Y06152		
204		5236046140	AIR PURGE BODY ASS'Y	1			Y06152	
204-1		140438-8	AIR PURGE BODY	1	O	Y06152		
205		5926008010	METERING DIAPHRAGM ASS'Y	1			Y06152	
205-1		168574-8	METERING DIAPHRAGM	1	O	Y06152	Y07577	
205-2		WJ000963279	SCREW	1	O	Y07577	Y07595	
205-3		WJ00095586	DIAPHRAGM ASS'Y	1	X	Y07595		
206		5236046040	METERING DIAPHRAGM GASKET	1			Y06152	
206-1		442154-1	METERING DIAPHRAGM GASKET	1	O	Y06152		
207		5926002140	PUMP BODY ASS'Y	1			Y06152	
	D10		INC.208				Y06152	
207-1		140437-0	PUMP BODY	1	O	Y06152		
	D10		INC.208				Y06152	
208		5016004010	INLET SCREEN	1			Y06152	
208-1		352010-6	INLET SCREEN	1	O	Y06152	Y07179	
208-2		WJ00014070	INLET SCREEN	1	O	Y07179		
209		0561080010	HOSE CLAMP	1			Y06152	
209-1		345918-1	HOSE CLAMP	1	O	Y06152		
210		5921500900	BREATHER PIPE	1			Y06152	
210-1		422041-0	BREATHER PIPE	1	O	Y06152		
211		5923503001	PIPE	1			Y06152	
211-1		422042-8	PIPE	1	O	Y06152		
212		5923004003	CLEANER PLATE	1			C0192	
	D10		INC.213-222				C0192	
212-1		125468-0	CLEANER PLATE ASSEMBLY	1	S	C0192		
	D10		INC.213-215,217-222				C0192	
213		5923502200	CHOKE LEVER	1			Y06152	
213-1		451925-5	CHOKE LEVER	1	O	Y06152		
214		0240159990	O RING P15	1			Y06152	
214-1		213540-1	O RING 15	1	O	Y06152		
215		5923006002	AIR CLEANER PLATE COMPLETE	1				
216		5923503200	AIR CLEANER ELEMENT	1			C0192	
217		5923502400	CHECK VALVE (1)	1			Y06172	
217-1		424316-3	CHECK VALVE	1	O	Y06172		
218		0240139970	O RING P14	1			Y06152	
218-1		213539-6	O RING 14	1	O	Y06152		
219		5923502500	CHECK VALVE PLATE	1			Y06152	
219-1		451924-7	CHECK VALVE PLATE	1	O	Y06152		
220		5316500701	CHECK VALVE	1			Y06152	
220-1		424315-5	CHECK VALVE	1	O	Y06152		
221		5923503500	GASKET SEPARATOR	1			Y06152	
221-1		168577-2	SEPARATOR GASKET	1	O	Y06152		
222		5933501600	SEPARATOR PLATE	1			Y06152	

Interchange
O : Yes
X : No
< : the new part can be substituted for the current.
> : the current part can be substituted for the new.
S : Interchangeable as a set.

