



VN	VIETNAM
----	---------

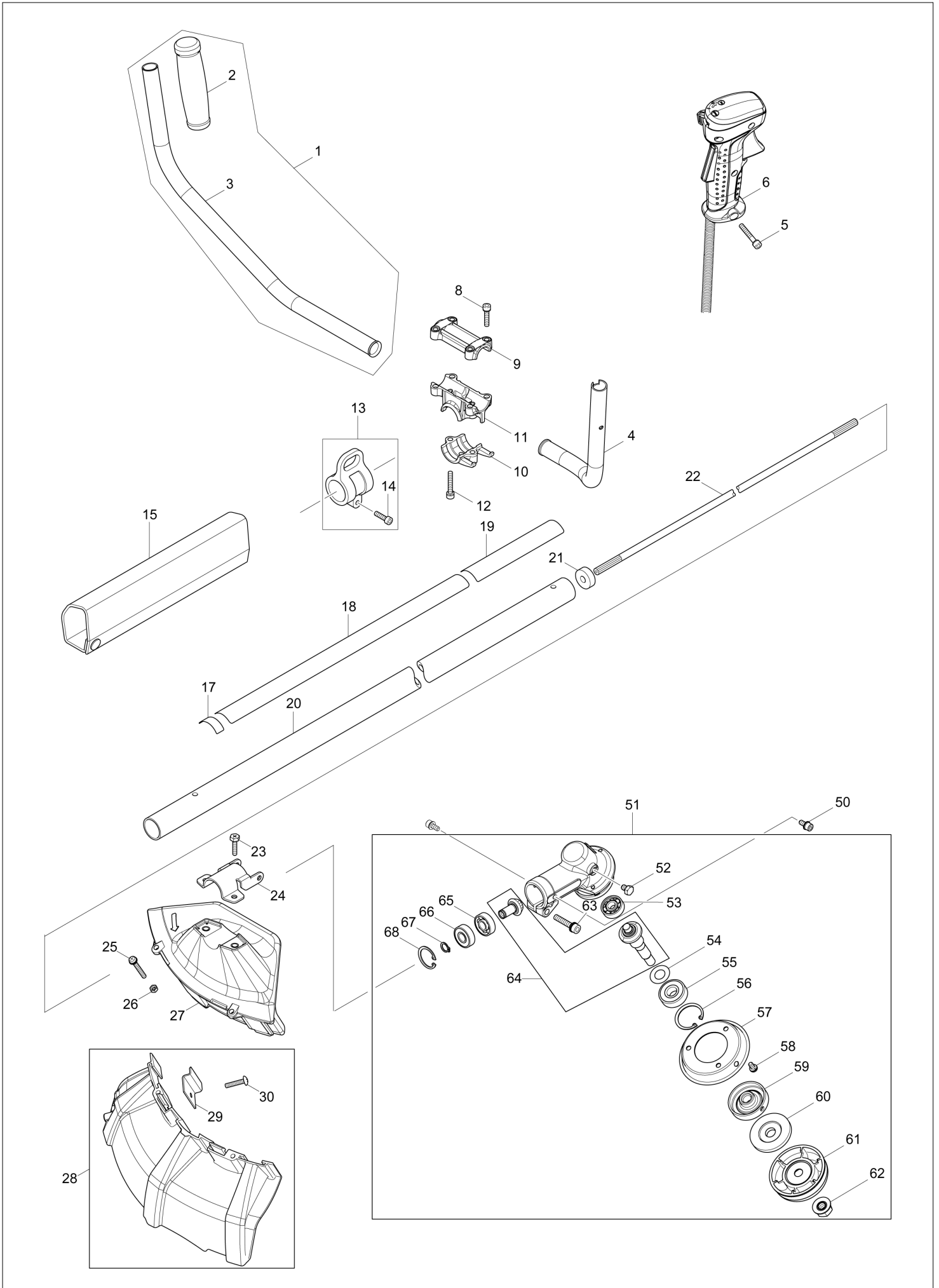
Diagram / Parts List

EM3400U

PETROL BRUSH CUTTER

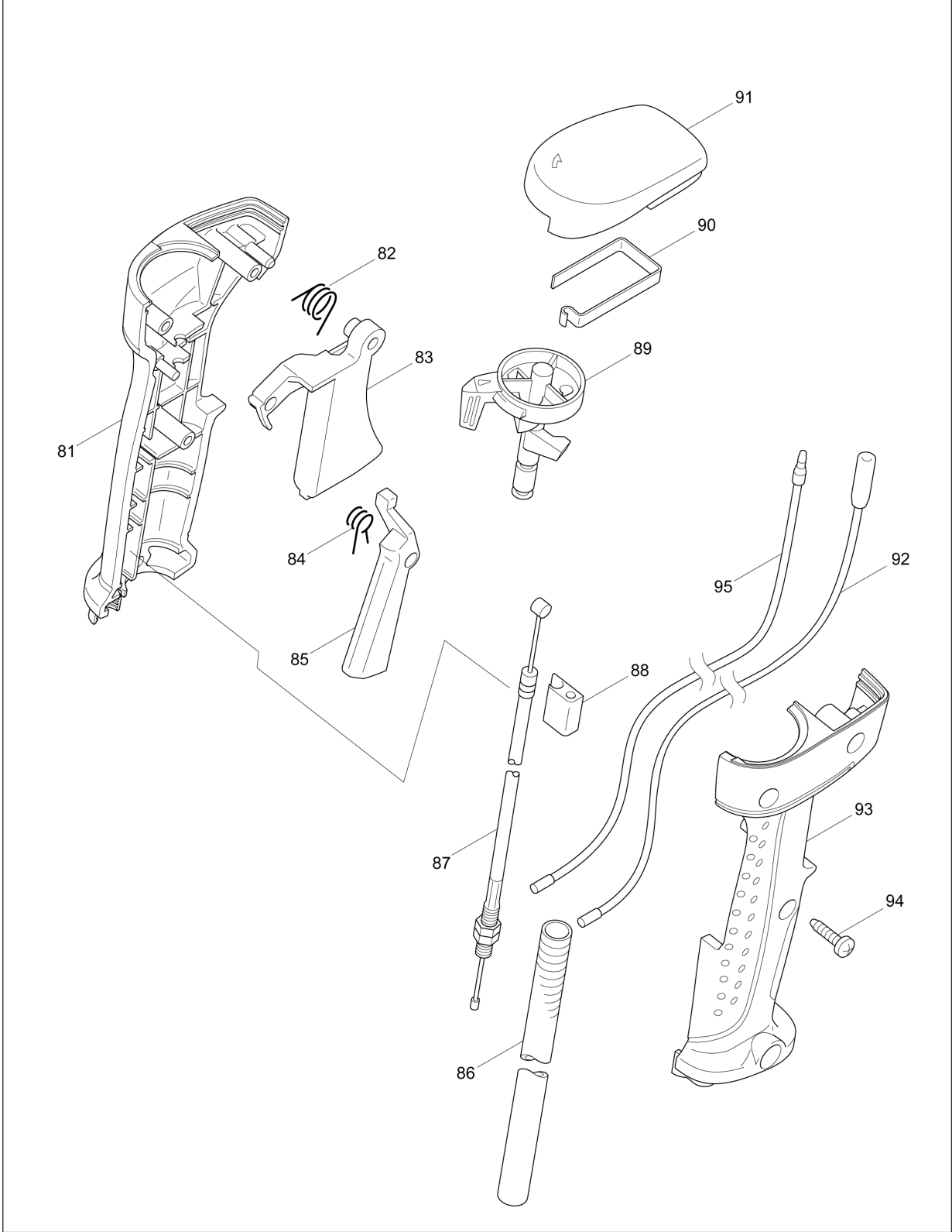


(VN) EM3400U / PETROL BRUSH CUTTER

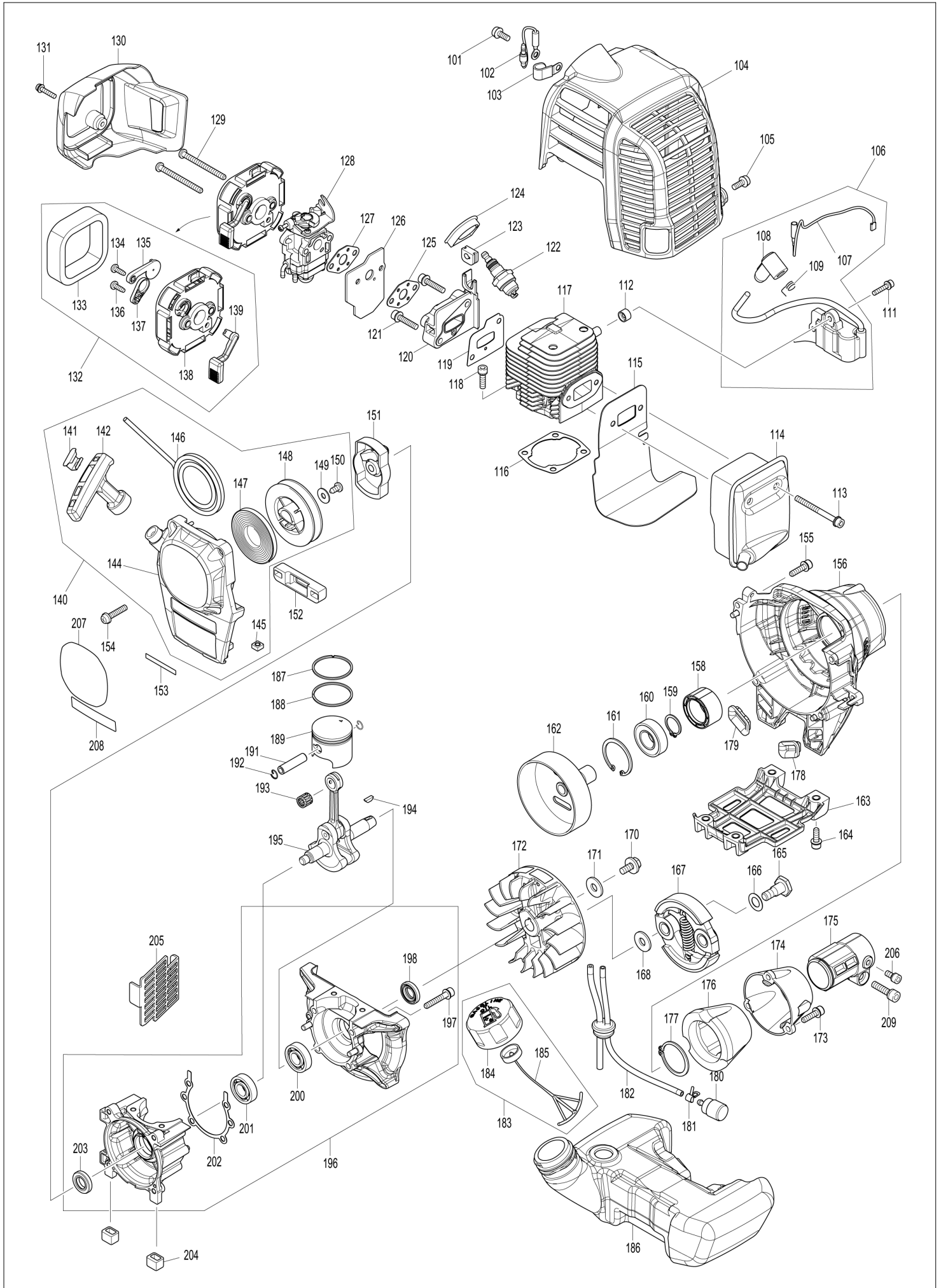


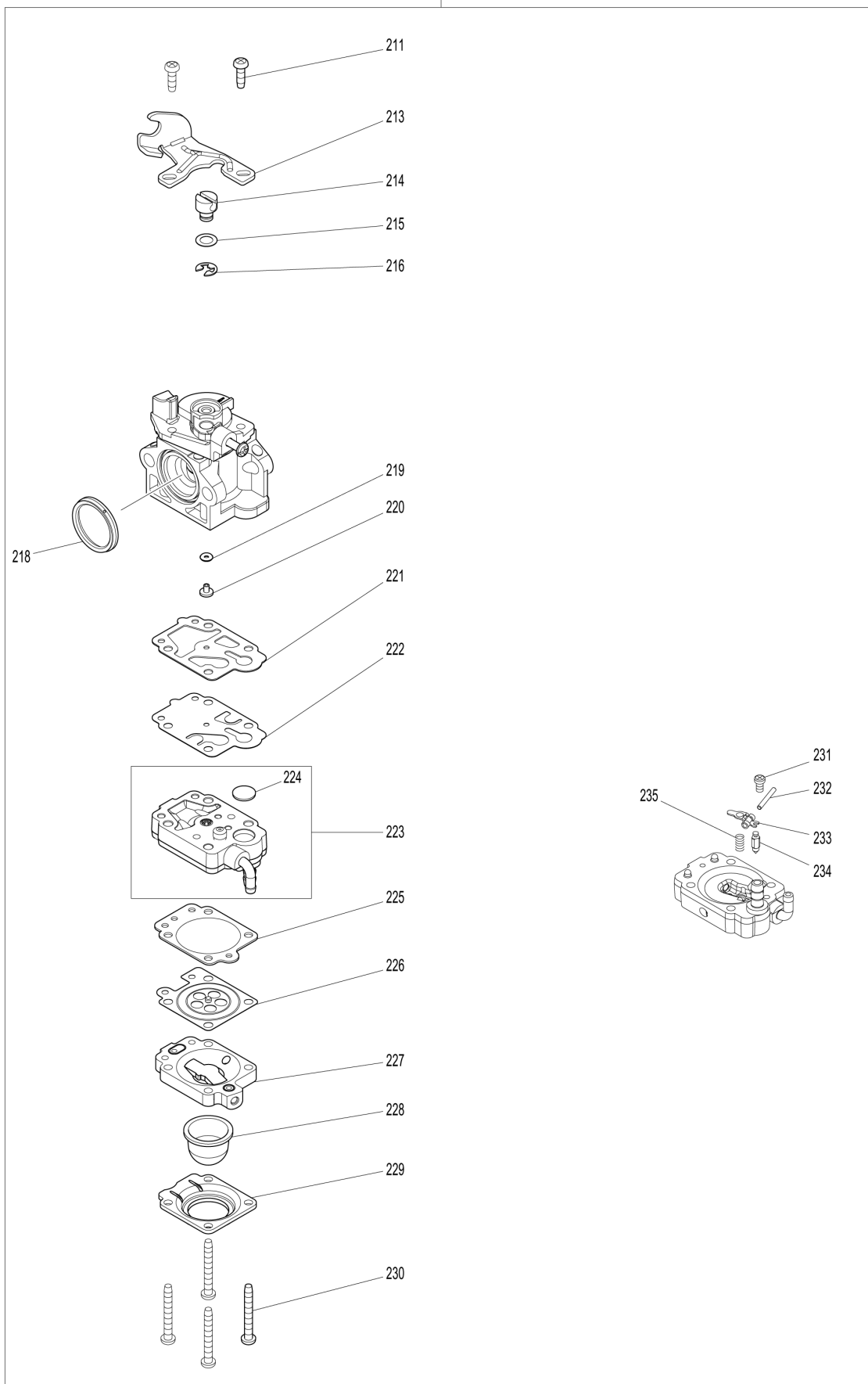
(VN) EM3400U / PETROL BRUSH CUTTER

6



(VN) EM3400U / PETROL BRUSH CUTTER





VN	VIETNAM
-----------	----------------

EM3400U / PETROL BRUSH CUTTER

Item	Sub	Parts No.	Parts Description	Qty	I/C	E/C No.	Close No.	Remark
001		143046-4	HANDLE COMPLETE	1				
	D10		INC. 2					
002		273526-7	GRIP 18	1				
004		332123-9	HANDLE 19	1				
005		922256-4	HEX. SOCKET HEAD BOLT M5X35	1				
006		126504-5	CONTROL LEVER ASS'Y	1				
	D10		INC. 81-95					
008		922241-7	HEX. SOCKET HEAD BOLT M5X25	4				
009		318272-6	HANDLE HOLDER 1	1				
010		318669-9	HANDLE HOLDER 2	1				
011		318670-4	HANDLE HOLDER 3	1				
012		922341-3	HEX. SOCKET HEAD BOLT M6X25	2				
013		125558-9	HANGER ASSEMBLY	1				
	C10	931202-6	HEX. NUT M5	1				
	D10		INC. 14					
014		922232-8	HEX. SOCKET HEAD BOLT M5X20	1				
015		168613-4	CUSHION	1				
017		814E64-6	SERIAL NO. LABEL	1				
018		805C73-4	CAUTION LABEL	1				
019		819312-8	MAKITA LOGO LABEL	1				
020		142837-0	SHAFT PIPE COMPLETE	1				
021		443146-3	FELT RING 8	1				
022		325675-7	SHAFT	1				
023		266641-4	HEX.HEAD BOLT M6X16	2				
024		346351-0	PROTECTOR CLAMP	1				
027		122932-2	PROTECTOR ASSEMBLY	1				
	D10		INC. 23,24					
050		922213-2	H.S.H.BOLT M5X12 WITH WR	2				
051		126506-1	GEAR CASE ASSYMBLY	1				
	D10		INC. 52-68					
052		KC00000014	HEX BOLT M6X8	1				
053		KC00000009	BALL BEARING 629	1				
054		KC00000008	PLATE	1				
055		KC00000012	BALL BEARING 6201DDU	1				
056		KC00000005	RETAINING RING R-32	1				
057		KC00000003	GUARD	1				
058		KC00000007	P.H.SCREW M4X20 WITH W	3				
059		KC00000013	RECEIVE WASHER	1				
060		KC00000004	CLAMP WASHER	1				
061		168526-9	CUP	1				
062		KC00000016	HEX NUT M10	1				
063		KC00000015	HEX. SOCKET HEAD BOLT M6X30 WR	1				
064		KC00000017	CUTTER SHAFT SET	1				
065		KC00000011	BALL BEARING 6000	1				
066		KC00000010	BALL BEARING 6000Z	1				
067		KC00000006	RETAINING RING S-10	1				
068		257988-7	RETAINING RING (INT) R-26	1				
081		183A10-9	LEVER CASE SET	1				
	C10	252180-0	HEX. LOCK NUT M5-8	1				
	D10		INC. 93					
082		233540-5	TORSION SPRING 11	1				
083		451084-5	THROTTLE LEVER	1				
084		233541-3	TORSION SPRING 7	1				
085		451083-7	LOCK OFF LEVER	1				
086		456084-0	CORRUGATE TUBE	1				
087		168867-3	CONTROL CABLE	1				
088		451081-1	CABLE HOLDER	1				
089		451500-7	SWITCH LEVER	1				
090		232251-9	LEAF SPRING	1				
091		455723-9	SWITCH COVER	1				
092		638706-6	LEAD UNIT	1				
093		183A10-9	LEVER CASE SET	1				
	C10	252180-0	HEX. LOCK NUT M5-8	1				
	D10		INC. 81					
094		266326-2	TAPPING SCREW 4X18	3				

Interchange
O : Yes
X : No
< : the new part can be substituted for the current.
> : the current part can be substituted for the new.
S : Interchangeable as a set.

VN	VIETNAM
-----------	----------------

EM3400U / PETROL BRUSH CUTTER

Item	Sub	Parts No.	Parts Description	Qty	I/C	E/C No.	Close No.	Remark
095		638705-8	LEAD UNIT	1				
101		911218-7	PAN HEAD SCREW M5X14	1				
102		632D74-3	LEAD UNIT	1				
103		345963-6	CLAMP	1				
104		455371-4	CYLINDER COVER	1				
105		911218-7	PAN HEAD SCREW M5X14	1				
106		126418-8	IGNITION COIL ASSEMBLY	1				
	D10		INC. 107-109					
107		ZG00000001	WIRE	1				
108		ZG00000002	CAP,PLUG	1				
109		ZG00000003	SPRING,PLUG CAP	1				
111		922138-0	H.S.H.BOLT M4X20 WITH WR	2				
112		452049-0	SPACER	2				
113		266917-9	HEX. SOCKET HEAD BOLT M5X55	2				
114		165754-7	EXHAUST MUFFLER	1				
115		346829-3	MUFFLER GASKET	1				
116		442208-4	CYLINDER GASKET	1				
117		319133-3	CYLINDER	1				
118		922231-0	HEX. SOCKET HEAD BOLT M5X20	4				
119		442210-7	INSULATOR GASKET	1				
120		455378-0	INSULATOR	1				
121		922243-3	HEX. SOCKET HEAD BOLT M5X25	2				
122		168648-5	SPARK PLUG (BPMR7A)	1				
123		424491-5	GROMMET	1				
124		424656-9	PLUG CAP COVER	1				
125		442177-9	GASKET AIR CLEANER	1				
126		346591-0	CARBURETOR PLATE	1				
127		442177-9	GASKET AIR CLEANER	1				
128		168864-9	CARBURETOR	1				
	D10		INC. 211,213-216,218-235					
129		0043105550	SCREW M5X55	2				
130		455377-2	AIR CLEANER COVER	1				
131		911138-5	P.H.SCREW M4X20 WITH WR	1				
132		126502-9	AIR CLEANER PLATE ASSEMBLY	1				
	D10		INC. 133-139					
133		443194-2	AIR CLEANER ELEMENT	1				
134		ZH00000001	TAPPING SCREW CT 4X12	1				
135		455374-8	CHOKE PLATE	1				
136		ZH00000001	TAPPING SCREW CT 4X12	1				
137		455376-4	AIR CLEANER CHECK PLATE	1				
138		455373-0	AIR CLEANER PLATE	1				
139		455375-6	CHOKE LEVER	1				
140		126501-1	RECOIL STARTER ASSEMBLY	1				
	D10		INC. 141,142,144-150					
141		JL03007287	PLATE	1				
142		JL03007280	STARTER KNOB	1				
144		JL03007281	STARTER CASE COMPLETE	1				
145		JL12650113	NUT	2				
146		JL03007284	STARTER ROPE	1				
147		JL03007282	SPIRAL SPRING	1				
148		JL03007283	REEL	1				
149		JL03007285	WASHER	1			Y07189	
149-1		JL03007288	SET SCREW	1	<	Y07189		
	D10		INC. 150			Y07189		
150		JL03007286	TAPPING SCREW	1			Y07189	
150-1		JL03007288	SET SCREW	1	<	Y07189		
	D10		INC. 149			Y07189		
151		168863-1	PULLEY	1				
152		424657-7	DAMPER	1				
153		850G87-2	SERIAL NO. LABEL	1				
154		911243-8	PAN HEAD SCREW M5X25	4				
155		922233-6	H.S.H.BOLT M5X20 WITH WR	4				
156		143321-8	CLUTCH CASE COMPLETE	1				
158		451157-4	SPACER	1				
159		961057-5	RETAINING RING S-17	1				

Interchange
O : Yes
X : No
< : the new part can be substituted for the current.
> : the current part can be substituted for the new.
S : Interchangeable as a set.

VN	VIETNAM
-----------	----------------

EM3400U / PETROL BRUSH CUTTER

Item	Sub	Parts No.	Parts Description	Qty	I/C	E/C No.	Close No.	Remark
160		210126-2	BALL BEARING 6003LLU	1				
161		962153-2	RETAINING RING R-35	1				
162		165577-3	CLUTCH DRUM	1				
163		455370-6	TANK GUARD	1				
164		922223-9	H.S.H.BOLT M5X16 WITH WR	4				
165		266571-9	SHOULDER HEX. BOLT M8X23	2				
166		267849-3	WAVE WASHER 10	2				
167		125757-3	CLUTCH ASSEMBLY	1			Y07091	
167-1		125757-3	CLUTCH ASSEMBLY	1	O	Y07091		
	C10	AN04002000	CLUTCH SHOE	2		Y07091		
	C20	AN02010C00	TENSION SPRING 9	1		Y07091		
168		253762-1	FLAT WASHER 8	2				
170		266596-3	HEX. HEAD BOLT M6X16 WITH W	1				
171		267427-9	FLAT WASHER 7	1				
172		319137-5	FLYWHEEL	1				
173		922233-6	H.S.H.BOLT M5X20 WITH WR	3				
174		318453-2	PIPE RETAINER	1				
175		318454-0	PIPE BRACKET	1				
176		424204-4	DAMPER	1				
177		961151-3	RETAINING RING S-32	1				
178		424103-0	PLATE	1				
179		424102-2	PLATE	1				
180		163447-0	FUEL FILTER	1			B3537	
180-1		163447-0	FUEL FILTER	1	O	B3537		
181		345920-4	HOSE CLAMP	1				
182		126503-7	FUEL TUBE ASSEMBLY	1				
184		452920-8	FUEL TANK CAP	1				
186		455379-8	FUEL TANK	1				
187		257359-8	PISTON RING	2				
189		319136-7	PISTON	1				
191		268337-3	PISTON PIN 8	1				
192		233976-8	CLIP	2				
193		212702-8	NEEDLE CAGE 810	1				
194		254040-2	WOODRUFF KEY 3	1				
195		142542-9	CRANKSHAFT COMPLETE	1				
196		135647-2	CRANK CASE ASS'Y	1				
	D10		INC. 197,198,200-203					
197		922253-0	H.S.H.BOLT M5X30 WITH WR	4				
198		213628-7	OIL SEAL	1				
200		210113-1	BALL BEARING 6001	1				
201		210113-1	BALL BEARING 6001	1				
202		442209-2	CRANK CASE GASKET	1				
203		213628-7	OIL SEAL	1				
204		424446-0	DAMPER	2				
205		455372-2	GUARD	1				
206		922213-2	H.S.H.BOLT M5X12 WITH WR	1				
207		805C68-7	EM3400U MODEL NO. LABEL	1				
208		805C80-7	MAKITA LOGO LABEL	1				
209		922341-3	HEX. SOCKET HEAD BOLT M6X25	1				
211		266704-6	PAN HEAD SCREW M3X10	2				
213		346588-9	BRACKET,CABLE	1				
214		325922-6	SWIVEL	1				
215		413140-9	WASHER	1				
216		257964-1	STOP RING E-3	1				
218		424444-4	PACKING RING	1				
219		WJ00016104	O RING	1				
220		WJ00112288	JET	1				
221		442155-9	PUMP GASKET	1				
222		168575-6	PUMP DIAPHRAGM	1			Y07366	
222-1		WJ00009599	PUMP DIAPHRAGM	1	O	Y07366		
223		140989-1	PUMP BODY ASSEMBLY	1				
224		352010-6	INLET SCREEN	1			Y07179	
224-1		WJ00014070	INLET SCREEN	1	O	Y07179		
225		442154-1	METERING DIAPHRAGM GASKET	1				
226		168620-7	METERING DIAPHRAGM	1				

Interchange
O : Yes
X : No
< : the new part can be substituted for the current.
> : the current part can be substituted for the new.
S : Interchangeable as a set.

