



VN	VIETNAM
----	---------

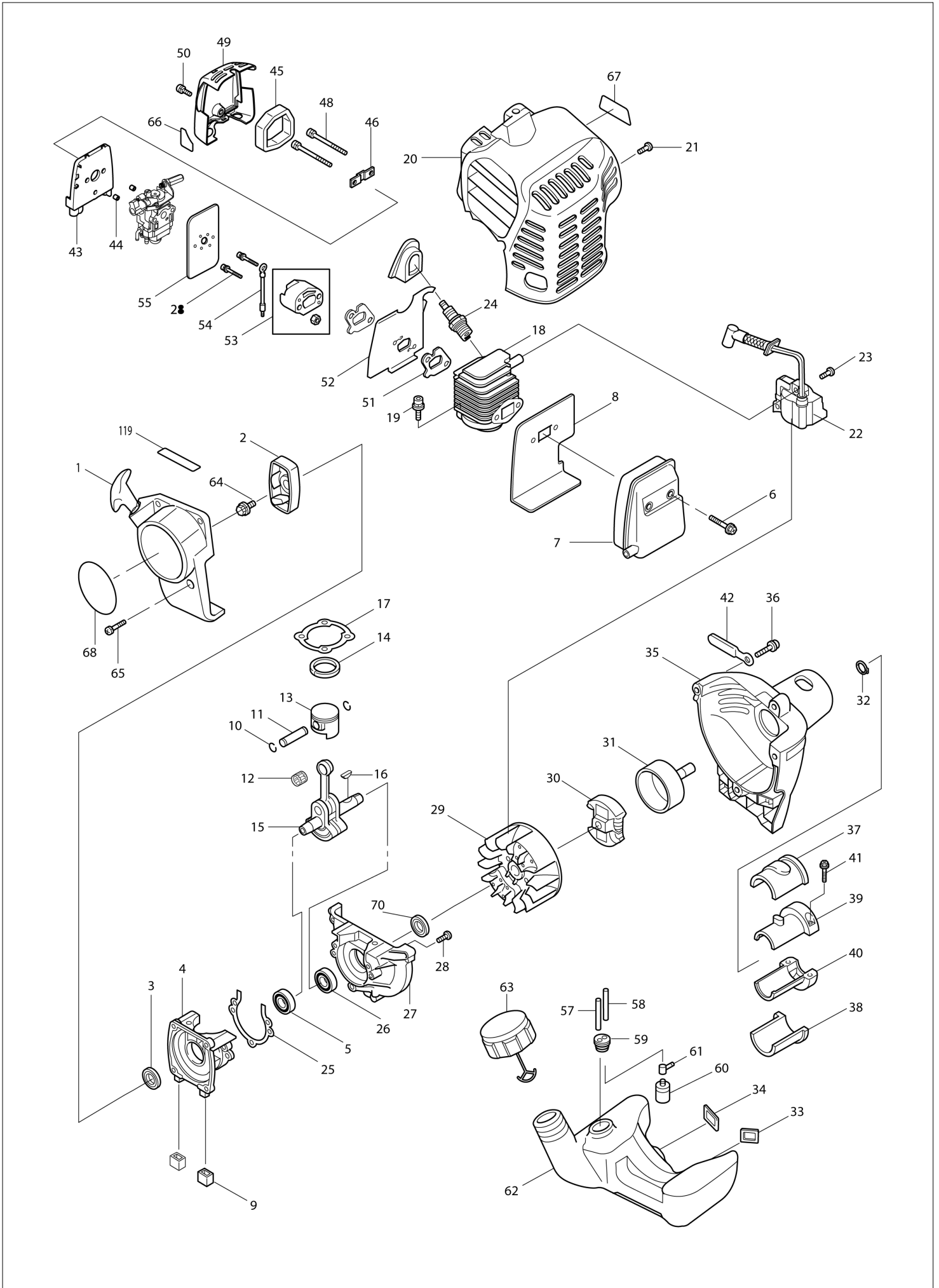
Diagram / Parts List

EM2500U

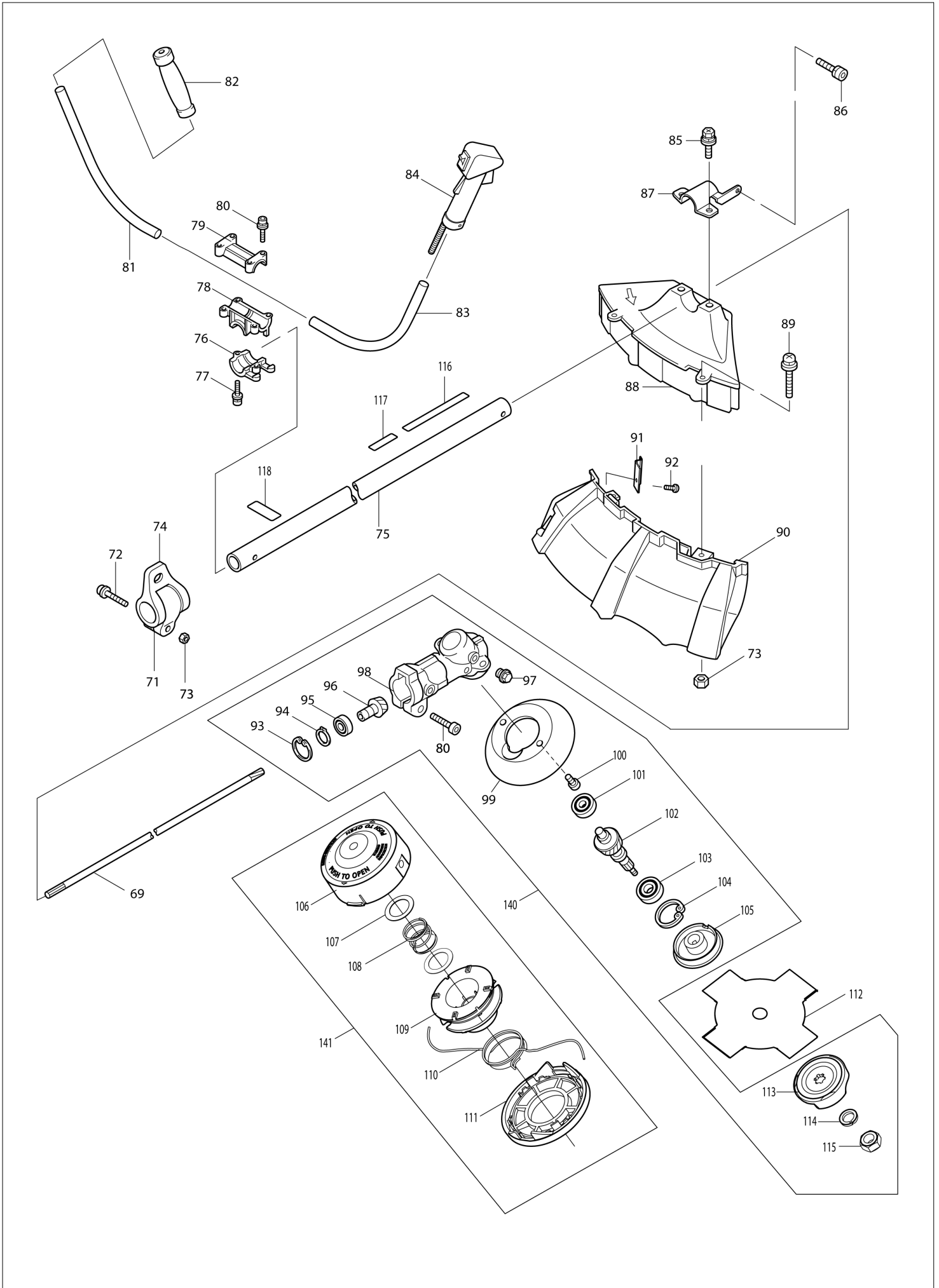
BRUSH CUTTER



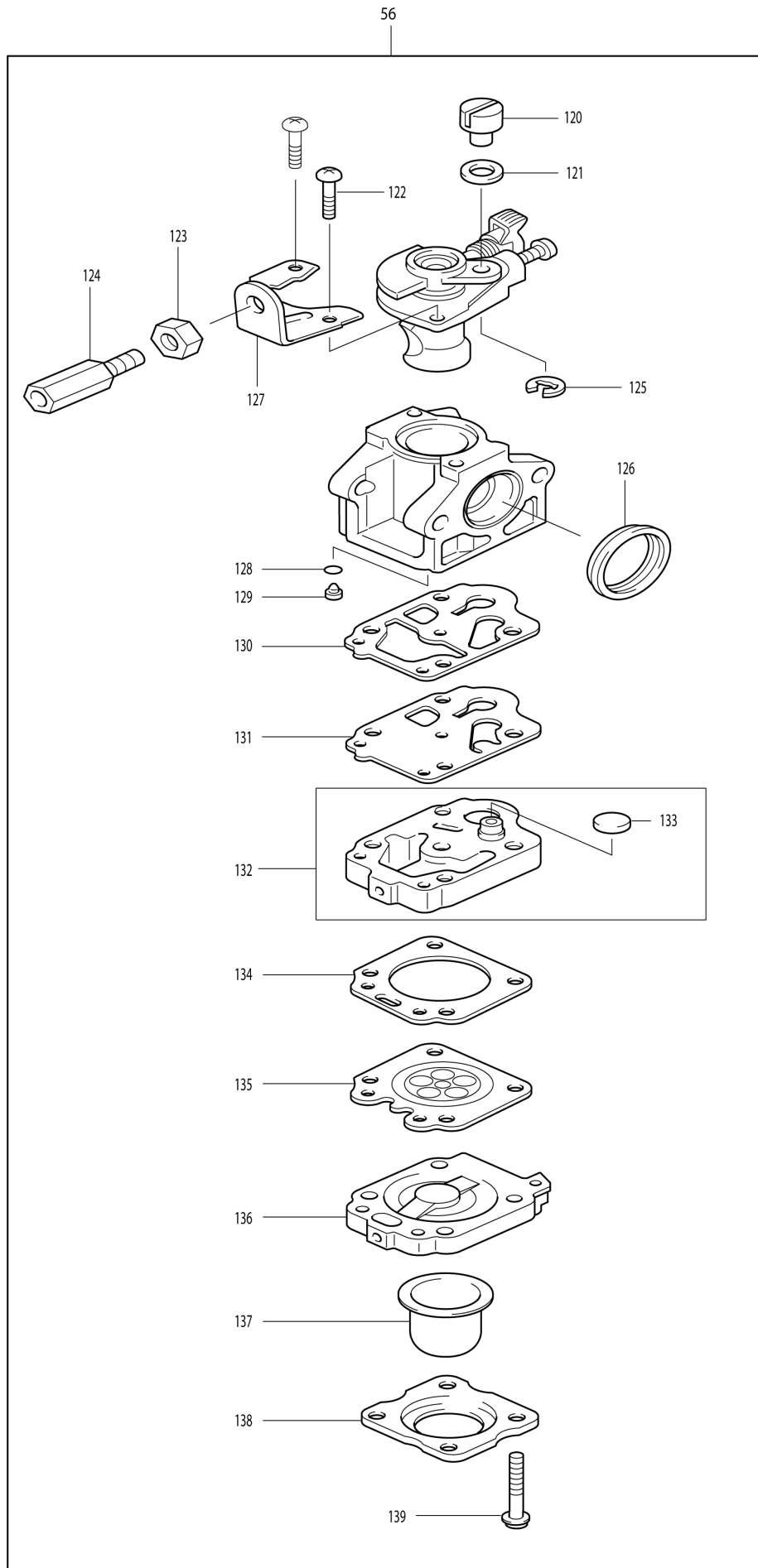
(VN) EM2500U / BRUSH CUTTER



(VN) EM2500U / BRUSH CUTTER



(VN) EM2500U / BRUSH CUTTER



VN	VIETNAM
-----------	----------------

EM2500U / BRUSH CUTTER

Item	Sub	Parts No.	Parts Description	Qty	I/C	E/C No.	Close No.	Remark
001		DA00000062	STARTER,REWIND ASS'Y	1				
002		DA00000063	PULLEY	1				
003		DA00000064	OIL SEAL	1				
004		DA00000065	CRANKCASE 2 ASS'Y	1				
	D10		INC. 3,5					
005		DA00000066	BALL BEARING 6001C3	1				
006		DA00000067	SOCKET HEAD BOLT M5X45	2				
007		DA00000068	MUFFLER	1				
008		DA00000069	MUFFLER GASKET	1				
009		DA00000070	DAMPER	2				
010		DA00000071	CLIP	2				
011		DA00000072	PISTON PIN	1				
012		DA00000073	NEEDLE BEARING 8	1				
013		DA00000074	PISTON	1				
014		DA00000075	PISTON RING	1				
015		DA00000076	CRANKSHAFT COMPLETE	1				
016		DA00000077	WOODRUFF KEY	1				
017		DA00000078	CYLINDER GASKET	1				
018		DA00000079	CYLINDER	1				
019		DA00000080	SOCKET HEAD BOLT M5X20	2				
020		DA00000081	CYLINDER COVER	1				
021		DA00000082	TAPPING SCREW 5X14	1				
022		DA00000083	IGNITION COIL	1				
023		DA00000084	SCREW ASS'Y M4X20	2				
024		DA00000085	SPARK PLUG	1			Y06989	
024-1		168648-5	SPARK PLUG (BPMR7A)	1	O	Y06989		
025		DA00000086	CRANKCASE GASKET	1				
026		DA00000066	BALL BEARING 6001C3	1				
027		DA00000087	CRANKCASE 1 ASS'Y	1				
	D10		INC. 26,70					
028		DA00000088	SCREW M5X25	5				
029		DA00000089	FLYWHEEL	1				
030		DA00000090	CLUTCH ASS'Y	1				
	C10	DA00001247	CLUTCH SPRING	1		Y07656		
031		DA00000091	CLUTCH DRUM COMPLETE	1				
032		DA00000092	OUTER SNAP RING	1				
033		DA00000093	PLATE	1				
034		DA00000094	PLATE	1				
035		DA00000095	CLUTCH CASE COMPLETE	1				
036		DA00000096	SCREW & WASHER ASS'Y	4				
037		DA00000097	PIPE DAMPER 1	1				
038		DA00000098	PIPE DAMPER 2	1				
039		DA00000099	PIPE BRACKET 1	1				
040		DA00000100	PIPE BRACKET 2	1				
041		DA00000101	SOCKET HEAD BOLT M5X18	2				
042		DA00000102	CLAMP	1				
043		DA00000103	CLEANER PLATE COMPLETE	1				
044		DA00000104	SPACER	2				
045		DA00000105	AIR CLEANER ELEMENT	1				
046		DA00000106	PLATE	1				
048		DA00000107	PAN HEAD SCREW M5X63	2				
049		DA00000108	AIR CLEANER CASE	1				
050		DA00000109	SCREW ASS'Y M5X14	1				
051		DA00000110	INSULATOR GASKET	2				
052		DA00000111	CARBURETOR INSULATOR	1				
053		DA00000112	INSULATOR COMPLETE	1				
054		DA00000113	WIRE	1				
055		DA00000114	GASKET SPACER	1				
056		DA00000115	CARBURETOR	1				
	D10		INC. 120-132,134-139					
057		DA00000116	TUBE S	1				
058		DA00000117	TUBE L	1				
059		DA00000118	GROMMET	1			Y08536	
059-1		DA00001303	GROMMET	1	O	Y08536		
060		DA00000119	FILTER	1				

Interchange
O : Yes
X : No
< : the new part can be substituted for the current.
> : the current part can be substituted for the new.
S : Interchangeable as a set.

VN	VIETNAM
----	---------

EM2500U / BRUSH CUTTER

Item	Sub	Parts No.	Parts Description	Qty	I/C	E/C No.	Close No.	Remark
061		DA00000120	HOSE CLAMP	1				
062		DA00000121	FUEL TANK	1				
063		DA00000122	FUEL TANK CAP COMPLETE	1				
064		DA00000123	BOLT ASS'Y	1				
065		DA00000124	SCREW ASS'Y M5X18(W,SW)	4				
066		DA00000125	LABEL	1				
067		DA00000366	TRADE MARK LABEL	1				
068		DA00000127	MODEL LABEL	1				
069		DA00000128	SHAFT	1				
070		DA00000064	OIL SEAL	1				
071		DA00000129	HANGER STOPPER	1				
072		DA00000096	SCREW & WASHER ASS'Y	1				
073		DA00000130	NUT M5	3				
074		DA00000131	HANGER	1				
075		DA00000132	SHAFT PIPE ASS'Y	1				
076-1		DA00000135	HANDLE HOLDER 2	1				
077		DA00000134	HEX. SOCKET HEAD BOLT M5X30	2				
078-1		DA00000133	HANDLE HOLDER 3	1				
079		DA00000136	HANDLE HOLDER 1	1				
080		DA00000137	SOCKET HEAD BOLT M5X25	5				
081		DA00000138	HANDLE	1				
082		DA00000139	GRIP	1				
083		DA00000140	HANDLE	1				
084		DA00000141	CONTROL LEVER ASSY	1			Y07129	
084-1		DA00000141	CONTROL LEVER ASSY	1	O	Y07129		
	C05	DA00000793	LOWER COVER	1		Y07129		
	C10	DA00000792	UPPER COVER	1		Y07129		
	C15	DA00000806	SCREW M6*30	1		Y07129		
	C20	DA00000799	STOP BUTTON	1		Y07129		
	C25	DA00000794	SPRING1	1		Y07129		
	C30	DA00000986	SPLIT WASHER	1		Y07129		
	C35	DA00000803	SHIP TYPE SWITCH	1		Y07129		
	C40	DA00000795	SPRING2	1		Y07129		
	C45	DA00000796	SPRING3	1		Y07129		
	C50	DA00000798	SAFETY TRIGGER	1		Y07129		
	C55	DA00000797	THROTTLE TRIGGER	1		Y07129		
	C60	DA00000807	M6 NUT	1		Y07129		
	C65	DA00000804	SCREW 3*12	7		Y07129		
	C70	DA00000800	BELLOWS 7*11	1		Y07129		
	C75	DA00000802	THROTTLE CABLE	1		Y07129		
	C80	DA00000801	FLAMEOUT WIRE	1		Y07129		
085		DA00000142	CROSSRECESS BOLT M6X23	2				
086		DA00000143	SOCKET HEAD BOLT M5X14 (W,SW)	1				
087		DA00000144	PROTECTOR CLAMP	1				
088		DA00000145	PROTECTOR ASSY	1			Y06998	
088-1		DA00000525	PROTECTOR ASSY	1	S	Y06998		
089		DA00000146	SCREW ASSEMBLY M5X40	1				
090		DA00000147	PROTECTOR	1			Y06998	
090-1		DA00000526	PROTECTOR	1	S	Y06998		
091		DA00000148	CUTTER	1				
092		DA00000149	TAPPING SCREW, ST5X25	1				
093		DA00000150	INNER SNAP RING	1				
094		DA00000151	OUTER SNAP RING	1				
095		DA00000152	BALL BEARING #609ZZ	1				
096		DA00000153	GEAR	1				
097		DA00000154	OIL BOLT M6X8	1				
098		DA00000155	GEAR CASE	1				
099		DA00000156	GUARD	1				
100		DA00000157	H.S. BOLT M5X12	2				
101		DA00000158	BALL BEARING 626ZZ	1				
102		DA00000159	CUTTER SHAFT SET	1				
103		DA00000160	BALL BEARING 6000DDU	1				
104		DA00000161	INNER SNAP RING	1				
105		DA00000162	RECEIVE WASHER	1				
106		DA00000163	CUTTER BODY	1				

Interchange
O : Yes
X : No
< : the new part can be substituted for the current.
> : the current part can be substituted for the new.
S : Interchangeable as a set.

