



VN	VIETNAM
----	---------

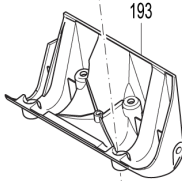
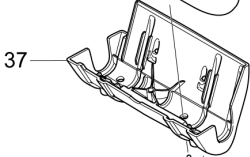
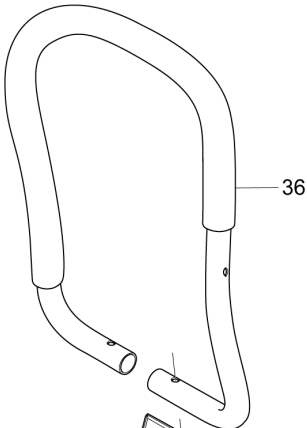
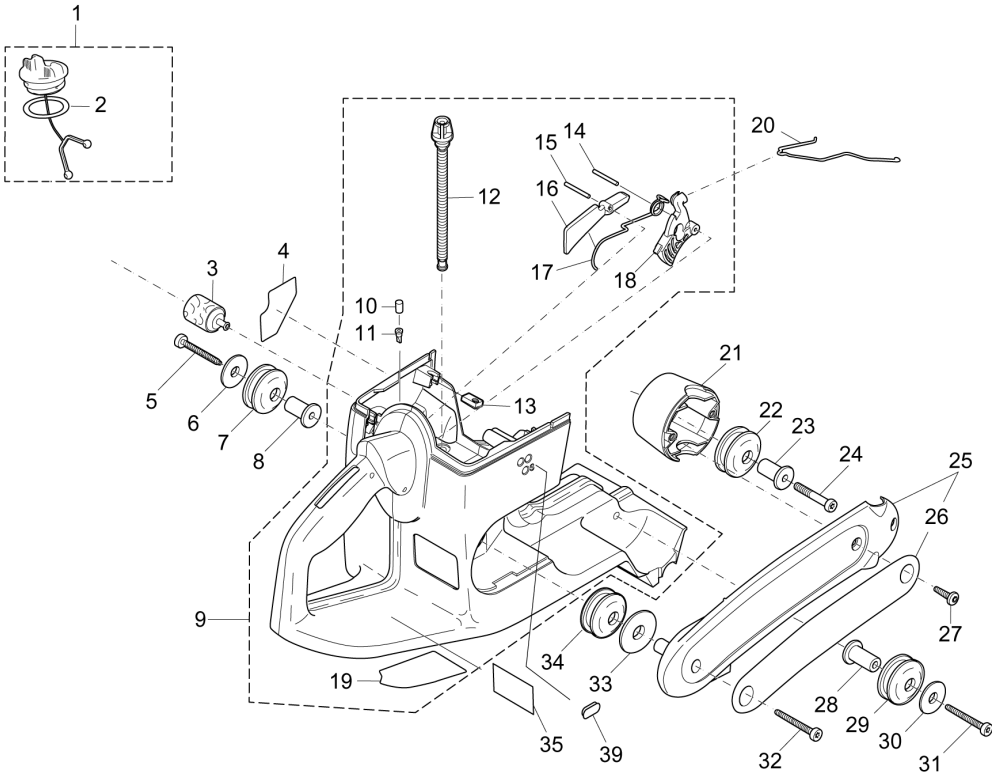
Diagram / Parts List

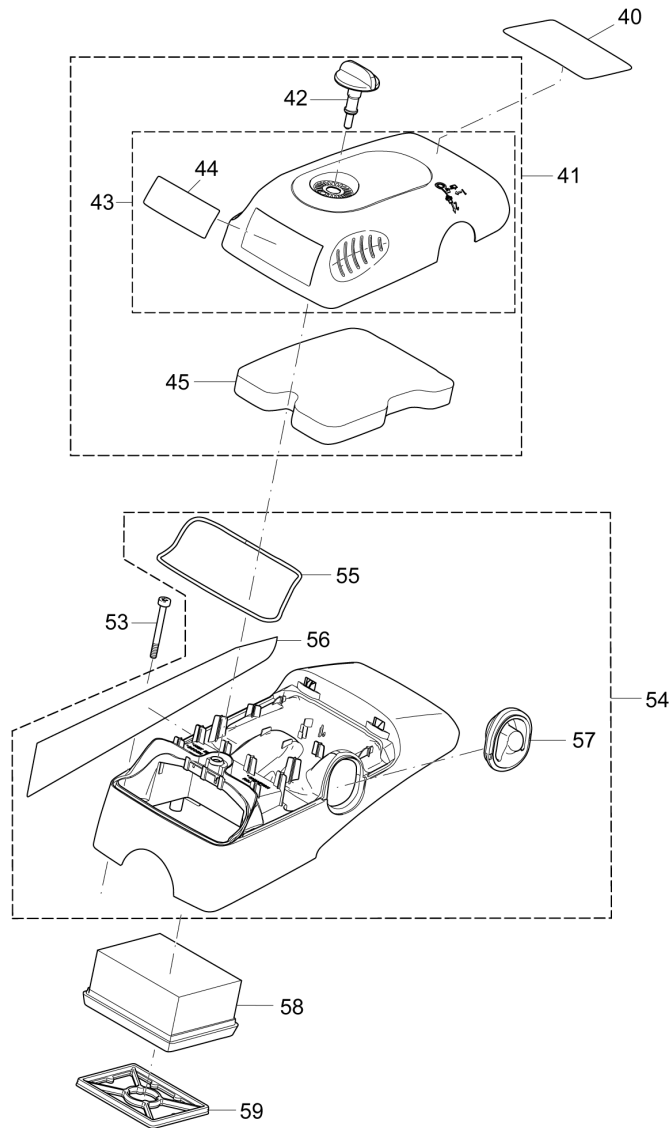
EK8100

POWER CUTTER

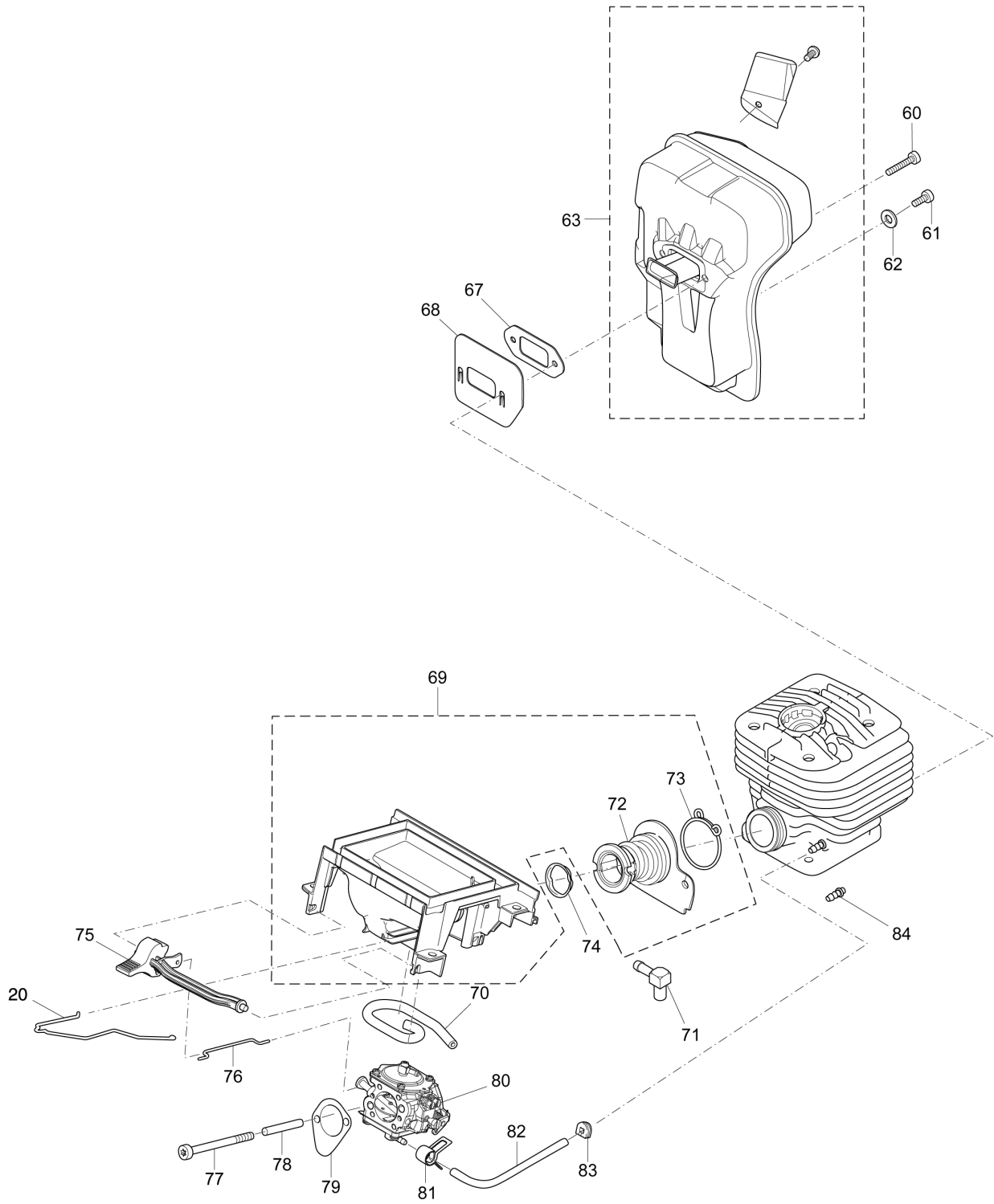


(VN) EK8100 / POWER CUTTER

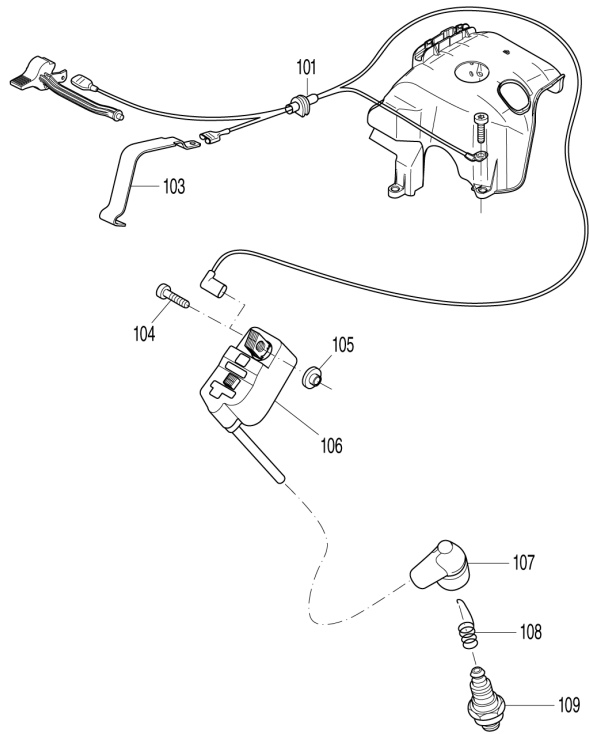
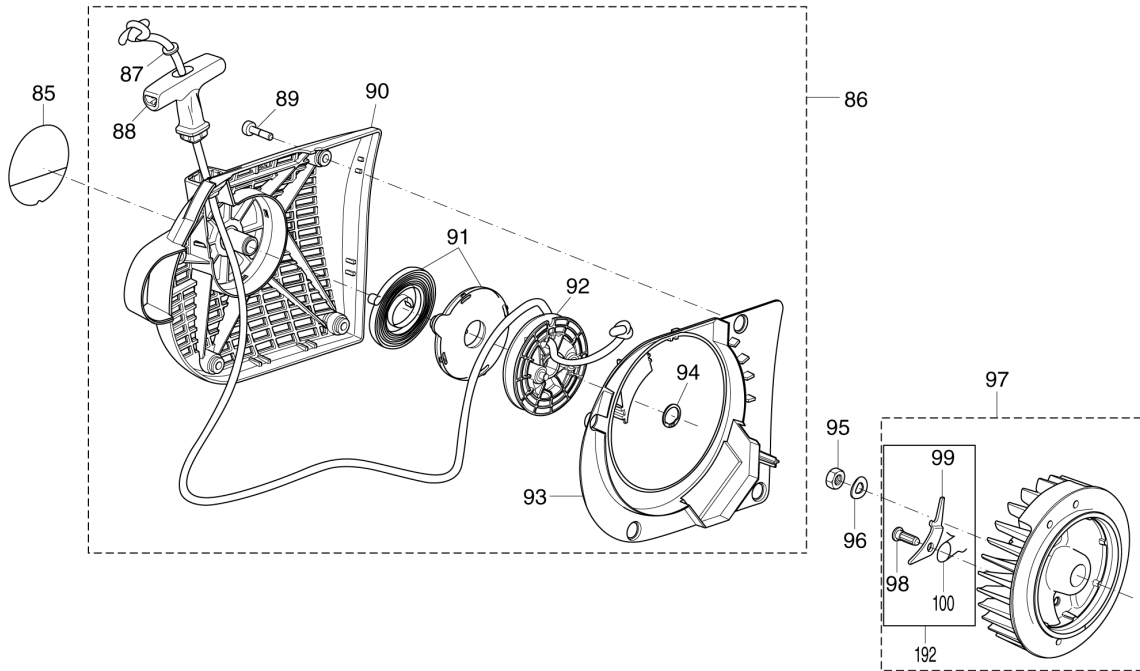




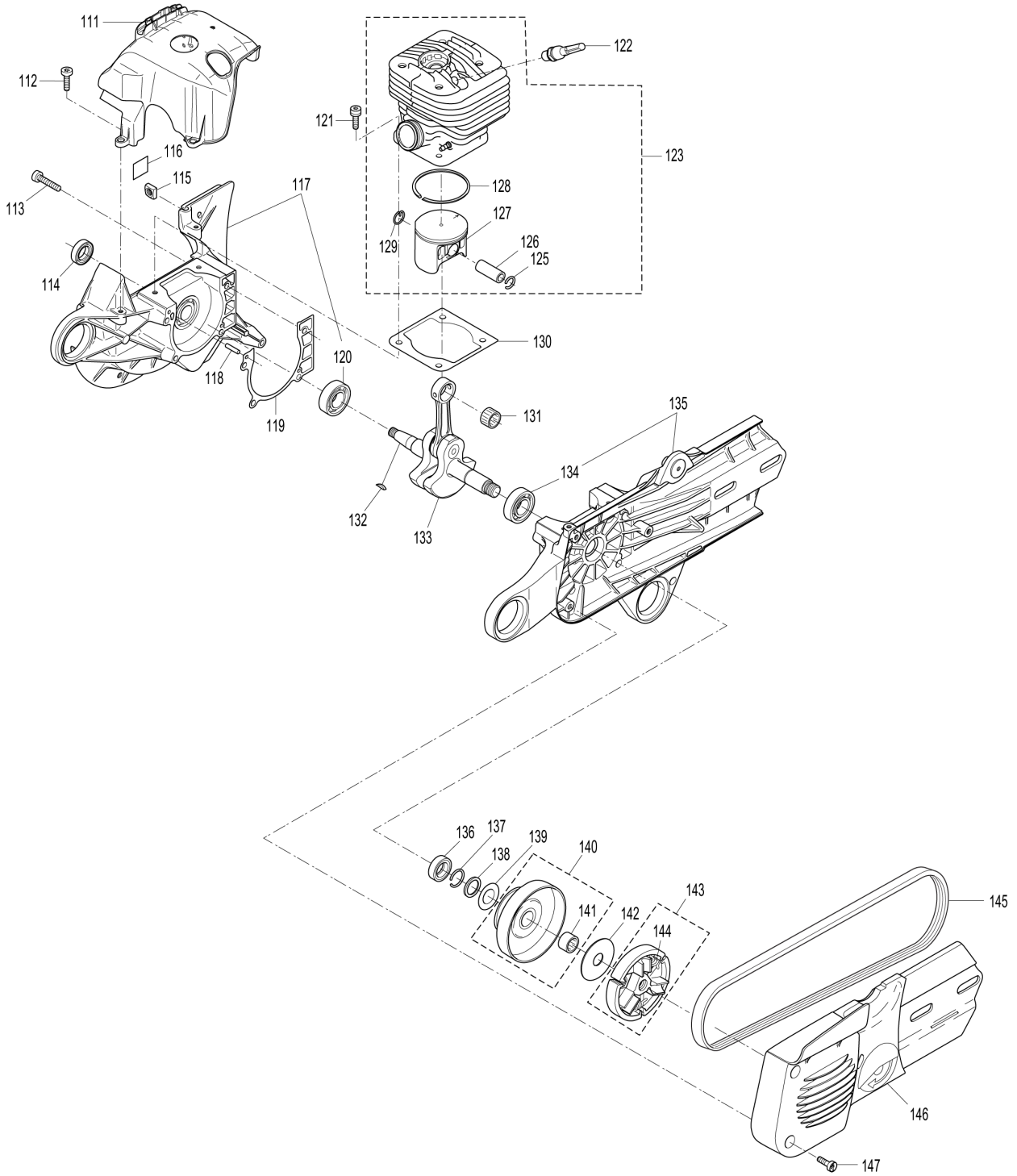
(VN) EK8100 / POWER CUTTER



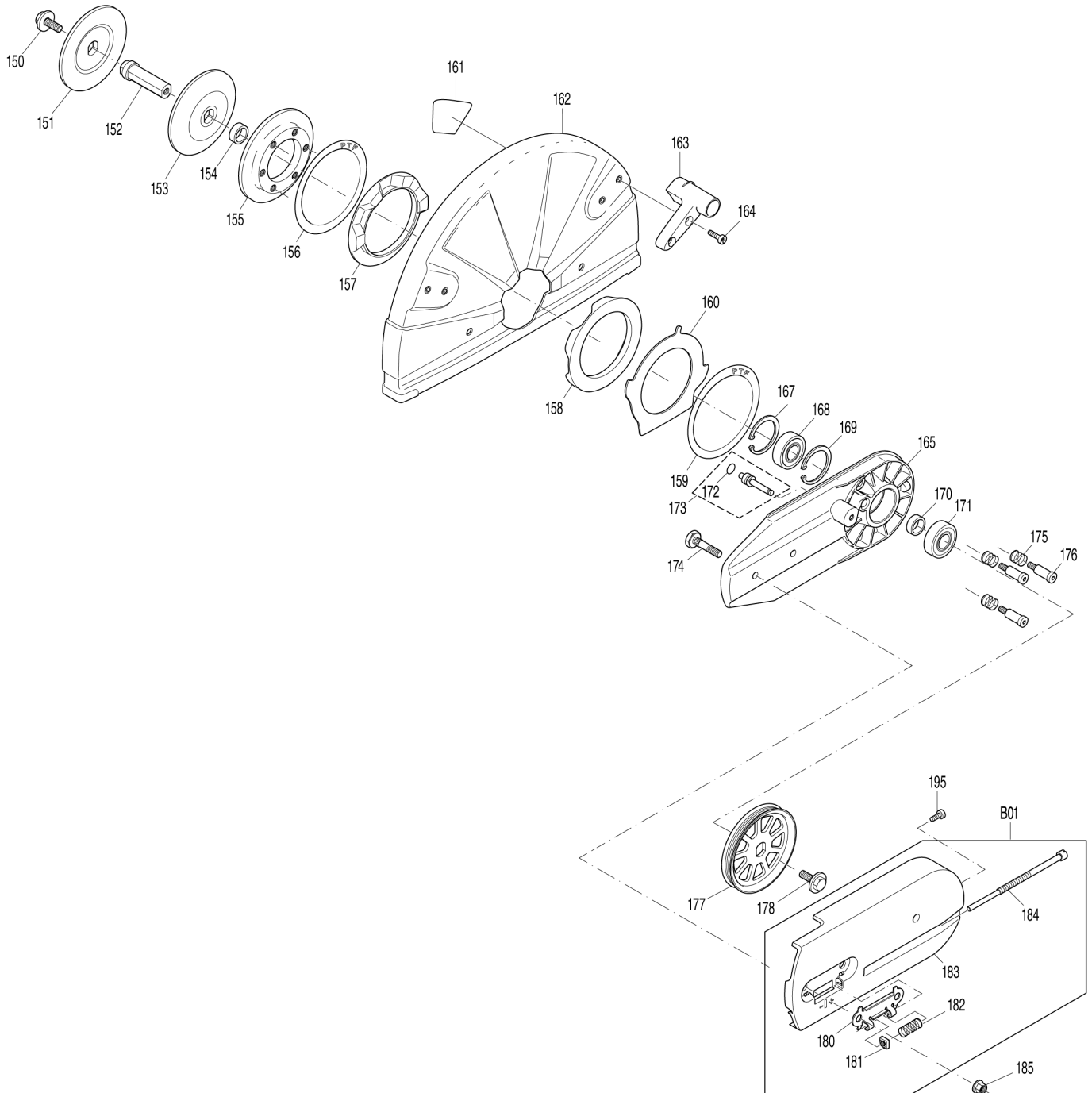
(VN) EK8100 / POWER CUTTER



(VN) EK8100 / POWER CUTTER



(VN) EK8100 / POWER CUTTER



VN	VIETNAM
-----------	----------------

EK8100 / POWER CUTTER

Item	Sub	Parts No.	Parts Description	Qty	I/C	E/C No.	Close No.	Remark
001		168507-3	TANK CAP COMPLETE	1				
	D10		INC. 2					
002		213080-9	O RING 29.5	1				
003		163499-1	SUCTION HEAD	1				
005		266687-0	TAPPING SCREW 5.5X45	1				
006		346870-6	WASHER 5.8X26X2	1				
007		424695-9	VIBRATION DAMPER	1				
008		319268-0	AXLE FOR VIBRATION DAMPER	1				
009		123321-4	FUEL TANK CPL. BLUE	1			D4816	
	D10		INC. 10-19				D4816	
009-1		140Y29-5	FUEL TANK CPL. BLUE	1	O	D4816		
	D10		INC. 10-19			D4816		
010		422063-0	SINTER INSERT	1			D1799	
011		424170-5	VALVE	1			D1799	
011-1		195762-4	AIR VALVE SET	1	S	D1799		
012		424723-0	FUEL LINE	1				
013		252897-5	SCREW PLUG	4				
014		268335-7	PIN 3	1				
015		268233-5	PIN 3	1				
016		455821-9	SAFETY LEVER	1				
017		233626-5	SPRING	1				
018		455820-1	THROTTLE LEVER	1				
019		806J47-0	INDICATION LABEL	1				
020		326497-8	THROTTLE LINKAGE	1				
021		455806-5	RETAINER FOR DAMPER BLACK	1				
022		424695-9	VIBRATION DAMPER	1				
023		319268-0	AXLE FOR VIBRATION DAMPER	1				
024		266943-8	H.L. SOCKET HEAD BOLT M5X40	1				
025		143211-5	SIDE SUPPORT MAKITA	1				
	D10		INC. 26					
026		806J44-6	MAKITA LOGO LABEL	1				
027		266475-5	H.L.TAPPING SCREW 5.5X20	2				
028		319268-0	AXLE FOR VIBRATION DAMPER	1				
029		424695-9	VIBRATION DAMPER	1				
030		346870-6	WASHER 5.8X26X2	1				
031		266687-0	TAPPING SCREW 5.5X45	1				
032		266687-0	TAPPING SCREW 5.5X45	1				
033		346871-4	WASHER	1				
034		424695-9	VIBRATION DAMPER	1				
035		852C52-3	EK8100 NAME PLATE	1				
036		143097-7	WRAP AROUND HANDLE CPL	1				
037		319270-3	FOOT, MACHINED	1				
038		266687-0	TAPPING SCREW 5.5X45	2				
039		424709-4	ADJUST GUIDE	1				
041		123309-4	COVER CPL. BLACK PRE-FILTER	1			C3558	
	D10		INC. 43,45				C3558	
041-1		127087-8	FILTER COVER ASSEMBLY	1	<	C3558		
	D10		INC. 43,45			C3558		
042		266692-7	THUMB SCREW M6X15	1				
043		123312-5	FILTER COVER COMPLETE	1				
	D10		INC. 42,44					
044		806J48-8	CAUTION LABEL	1			B4034	
044-1		807L79-2	CAUTION LABEL	1	O	B4034		
045		424700-2	PRE-FILTER	1				
053		266941-2	H.L. SOCKET HEAD BOLT M5X50	4				
054		123308-6	HOOD CPL. BLACK	1				
	D10		INC. 55-57					
055		424697-5	PACKING RING	1				
056		806J50-1	CAUTION LABEL	1				
057		424703-6	DEKO COVER	1				
058		424701-0	AIR FILTER	1				
059		424705-2	INNER FILTER	1				
060		266960-8	H.L. SOCKET HEAD BOLT M5X20	2				
061		266946-2	H.L. SOCKET HEAD BOLT M5X12	1				
062		267821-5	SPRING WASHER 5	1				

Interchange
O : Yes
X : No
< : the new part can be substituted for the current.
> : the current part can be substituted for the new.
S : Interchangeable as a set.

VN	VIETNAM
-----------	----------------

EK8100 / POWER CUTTER

Item	Sub	Parts No.	Parts Description	Qty	I/C	E/C No.	Close No.	Remark
063		161338-9	MUFFLER CPL.	1				
067		346876-4	MUFFLER GASKET	1				
068		346868-3	COOLING PLATE	1				
069		123310-9	INTAKE MANIFOLD CPL.	1			C6287	
	D10		INC. 70,72,73				Y07677	
	D11		INC. 72,73			Y07677	C6287	
069-1		127098-3	INTAKE MANIFOLD ASSEMBLY	1	S	C6287		
	D11		INC. 72,73			C6287		
070		424699-1	TUBE BLACK RED	1			C6287	
071		161311-9	ANGULAR NIPPLE	1			C6287	
072		424708-6	INTAKE HOSE	1				
073		233625-7	SPRING CLAMP	1				
074		346867-5	GUIDE RING	1				
075		455808-1	CHOKE SHAFT	1				
076		326496-0	CHOKE LINKAGE	1				
077		266944-6	H.L. SOCKET HEAD BOLT M4X55	2				
078		424710-9	INSULATION TUBE	2			D0934	
078-1		412601-6	INSULATION TUBE 4-15	2	O	D0934		
079		346874-8	GASKET	1				
080		161312-7	CARBURETOR	1			C6287	
080-1		162533-4	CARBURETOR	1	S	C6287		
081		324616-0	HOSE CLAMP	1				
082		424698-3	TUBE 3-120	1				
083		424696-7	RUBBER GROMMET	1				
084		326499-4	NIPPLE	1			Y07252	
085		806K78-5	MAKITA LOGO LABEL	1				
086		123357-3	STARTING DEVICE CPL. BLUE	1				
	D10		INC. 87-94				D4113	
	D11		INC. 87-94,202			D4113		
087		267862-1	SPRING WASHER 5	1				
088		452458-3	STARTER GRIP	1				
089		266938-1	H.L. SOCKET HEAD BOLT M5X20	4				
090		123315-9	STARTER HOUSING BLUE	1				
091		140587-1	REWIND SPRING COMPLETE	1				
092		143098-5	CABLE DRUM COMPLETE	1				
093		455805-7	AIR GUIDE PLATE	1				
094		257997-6	RETAINING RING A14X1V	1				
095		264107-8	HEXAGONAL NUT M8	1				
096		267822-3	SPRING WASHER 8	1				
097		123306-0	FLYWHEEL D=120 CPL	1				
	D10		INC. 98-100					
098		326500-5	BEARING BOLT	2			D1799	
098-1		327728-8	BEARING BOLT	2	<	D1799		
099		346865-9	STARTER-RATCHET	2				
100		233535-8	TORSION SPRING 13	2				
101		632E41-4	CABLE WITH PLUG	1				
103		346869-1	CONTACT SPRING	1				
104		266942-0	H.L. SOCKET HEAD BOLT M5X20	2				
105		451462-9	ISOLATING WASHER	2				
106		161310-1	IGNITION COIL CDIM 120-15	1			DB428	
106-1		161310-1	IGNITION COIL CDIM 120-15	1	O	DB428		
107		424706-0	PLUG CAP	1				
108		234358-7	TERMINAL SPRING	1				
109		168517-0	SPARK PLUG	1				
111		455819-6	HOOD	1				
112		266940-4	H.L. SOCKET HEAD BOLT M5X15	3				
113		266945-4	H.L. SOCKET HEAD BOLT M5X30	5				
114		213814-0	RADIAL RING	1				
115		264108-6	SQUARE NUT M5	1				
116		424707-8	RUBBER SHEET	1				
117		143226-2	CRANKCASE MS CPL.	1				
	D10		INC. 120					
118		258038-1	CLAMPING PIN	2				
119		346877-2	CRANK CASE GASKET	1				
120		211154-0	BALL BEARING 6202	1				

Interchange
O : Yes
X : No
< : the new part can be substituted for the current.
> : the current part can be substituted for the new.
S : Interchangeable as a set.

VN	VIETNAM
-----------	----------------

EK8100 / POWER CUTTER

Item	Sub	Parts No.	Parts Description	Qty	I/C	E/C No.	Close No.	Remark
121		266473-9	H.L. SOCKET HEAD BOLT M5X23	4			D1214	
121-1		266473-9	H.L. SOCKET HEAD BOLT M5X23	4	O	D1214		
122		455804-9	DECOMPRESSION VALVE	1				
123		123441-4	CYLINDER PISTON SET	1			Y07252	
	D10		INC. 125-129				Y07252	
123-1		135794-9	CYLINDER ASS'Y	1	S	Y07252		
	D10		INC. 125-129			Y07252		
125		234359-5	CIRCLIP 12	1				
126		257841-7	PISTON PIN	1				
127		319282-6	PISTON 52	1			B7399	
127-1		198667-7	PISTON SET	1	X	B7399		
	D10		INC. 125,126,128,129			B7399		
128		257381-5	PISTON RING 52	1				
129		234359-5	CIRCLIP 12	1				
130		346873-0	GASKET	1				
131		212133-1	PISTON PIN BEARING 12X16X13	1				
132		254042-8	WOODRUFF-KEY 3X3,7	1				
133		143109-6	CRANKSHAFT CPL.	1				
134		211154-0	BALL BEARING 6202	1				
135		143225-4	CRANKCASE CS CPL	1				
	D10		INC. 134					
136		213814-0	RADIAL RING	1				
137		234366-8	SNAP RING A 16	1				
138		346872-2	STOP RING	1				
139		346866-7	GUIDE DISK	1				
140		161318-5	CLUTCH DRUM CPL.	1				
	D10		INC. 141					
141		212134-9	NEEDLE ROLLER BEARING 15X21X16	1				
142		267389-1	FLAT WASHER 12	1				
143		123305-2	CLUTCH, CPL	1				
	D10		INC. 144					
144		231892-8	TENSION SPRING	3			B3695	
144-1		231896-0	TENSION SPRING	3	O	B3695	B5368	
144-2		232352-3	TENSION SPRING 6	3	O	B5368	D4267	
144-3		232352-3	TENSION SPRING 6	3	O	D4267		
145		424711-7	V-BELT	1				
146		455832-4	CLUTCH COVER	1				
147		266947-0	H.L. SOCKET HEAD BOLT M5X14	3				
150		266976-3	HEX. BOLT M8X25	1				
151		224443-4	FLANGE 102	1				
152		326503-9	AXLE	1				
153		224443-4	FLANGE 102	1				
154		257375-0	SPACER, 8MM	1				
155		318746-7	PRESSURE RING	1				
156		442169-8	SLIDING DISC	1				
157		424426-6	RUBBER RING(INNER)	1				
158		424427-4	RUBBER RING(OUTER)	1				
159		442169-8	SLIDING DISC	1				
160		346455-8	IMPACT PLATE	1				
161		807B76-8	CAUTION LABEL	1			B0819	
161-1		807B76-8	CAUTION LABEL	1	O	B0819		
162		347005-2	HOOD	1			B0819	
162-1		143794-5	HOOD COMPLETE	1	<	B0819		
	D10		INC. 161			B0819		
163		452938-9	GRIP	1				
164		266725-8	H.L. SOCKET HEAD BOLT M5X16	2			D3156	
164-1		266642-9	H.L. SOCKET HEAD BOLT M5X16	2	O	D3156		
165		319289-2	CUTTING DEVICE	1				
167		257998-4	RETAINING RING 40X1,75	1				
168		211281-3	BALL BEARING 6203LLU	1				
169		257998-4	RETAINING RING 40X1,75	1				
170		257375-0	SPACER, 8MM	1				
171		211281-3	BALL BEARING 6203LLU	1				
172		213625-3	O-RING 9	1				
173		123307-8	STOP BOLT CPL.	1				

Interchange
O : Yes
X : No
< : the new part can be substituted for the current.
> : the current part can be substituted for the new.
S : Interchangeable as a set.

