



VN	VIETNAM
----	---------

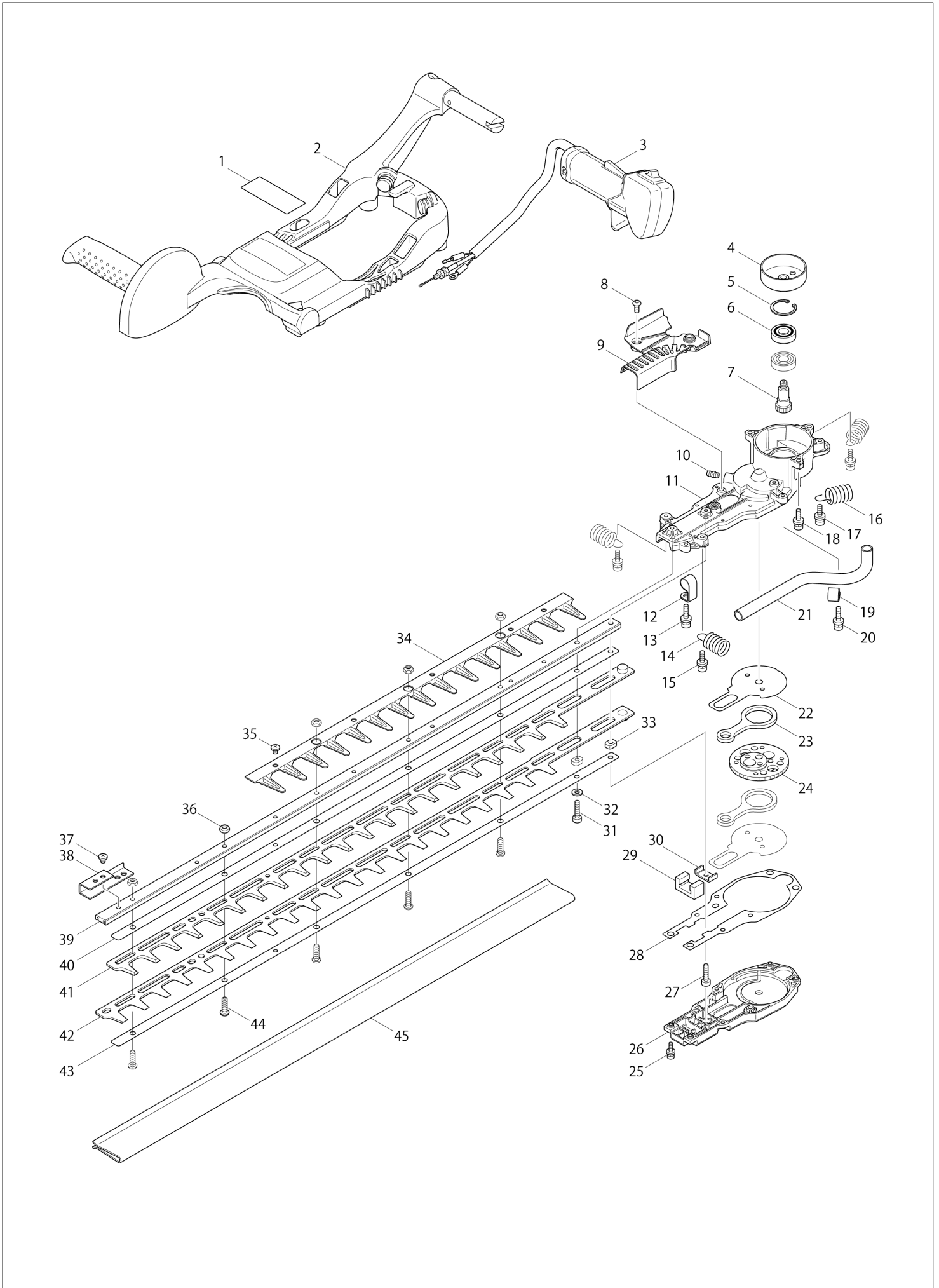
Diagram / Parts List

EH7500S

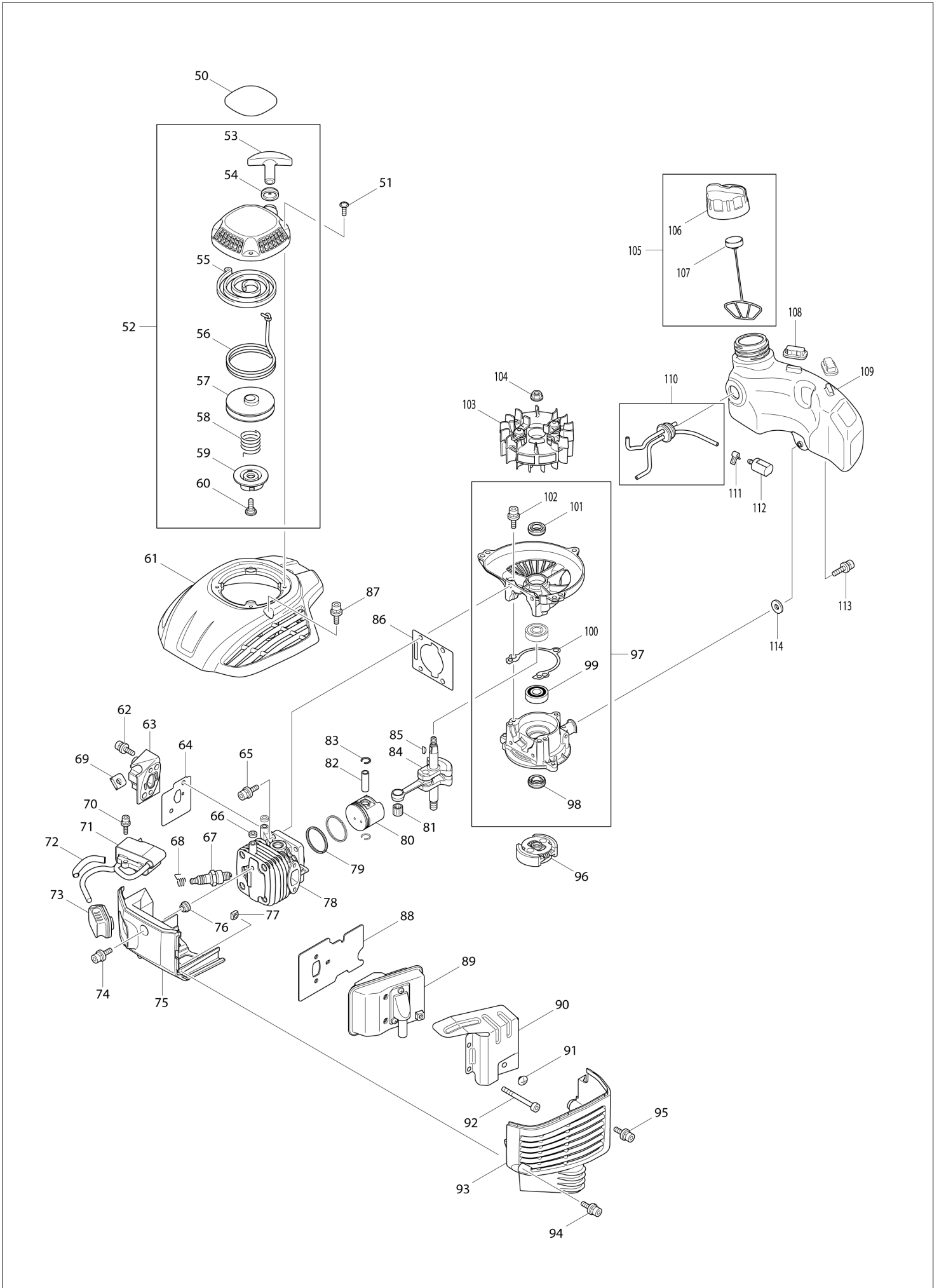
PETROL HEDGE TRIMMER



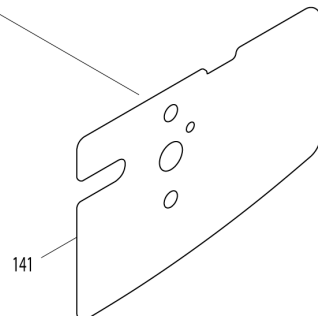
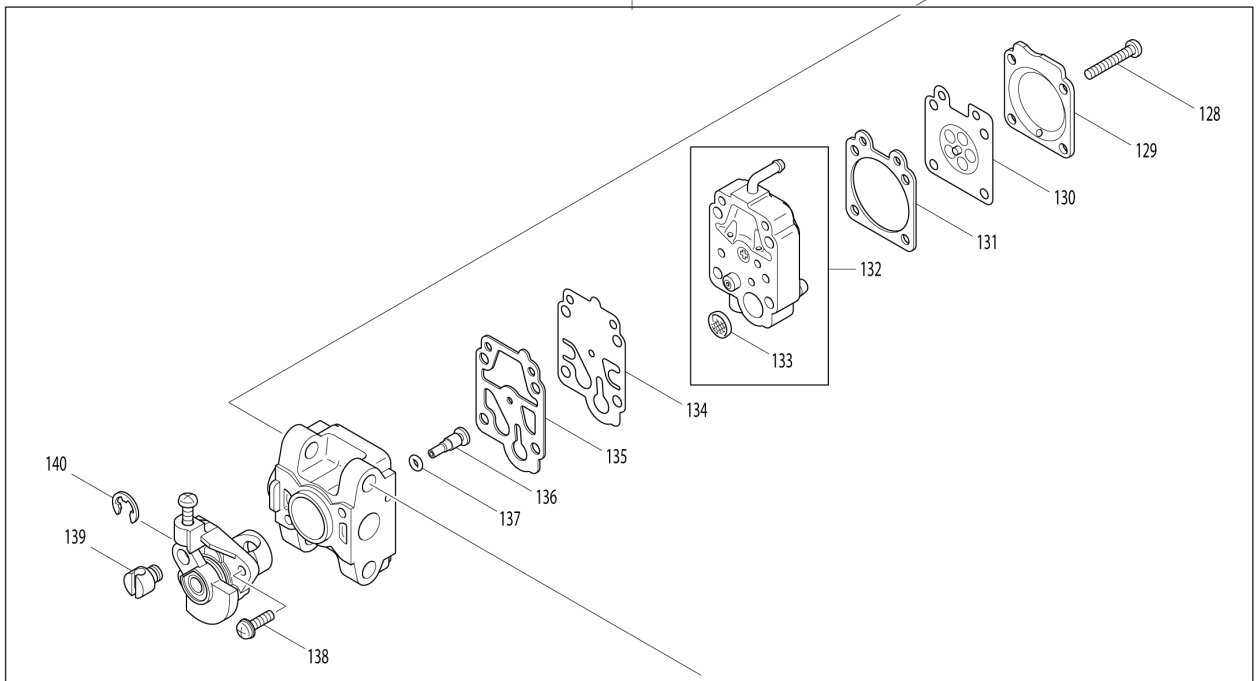
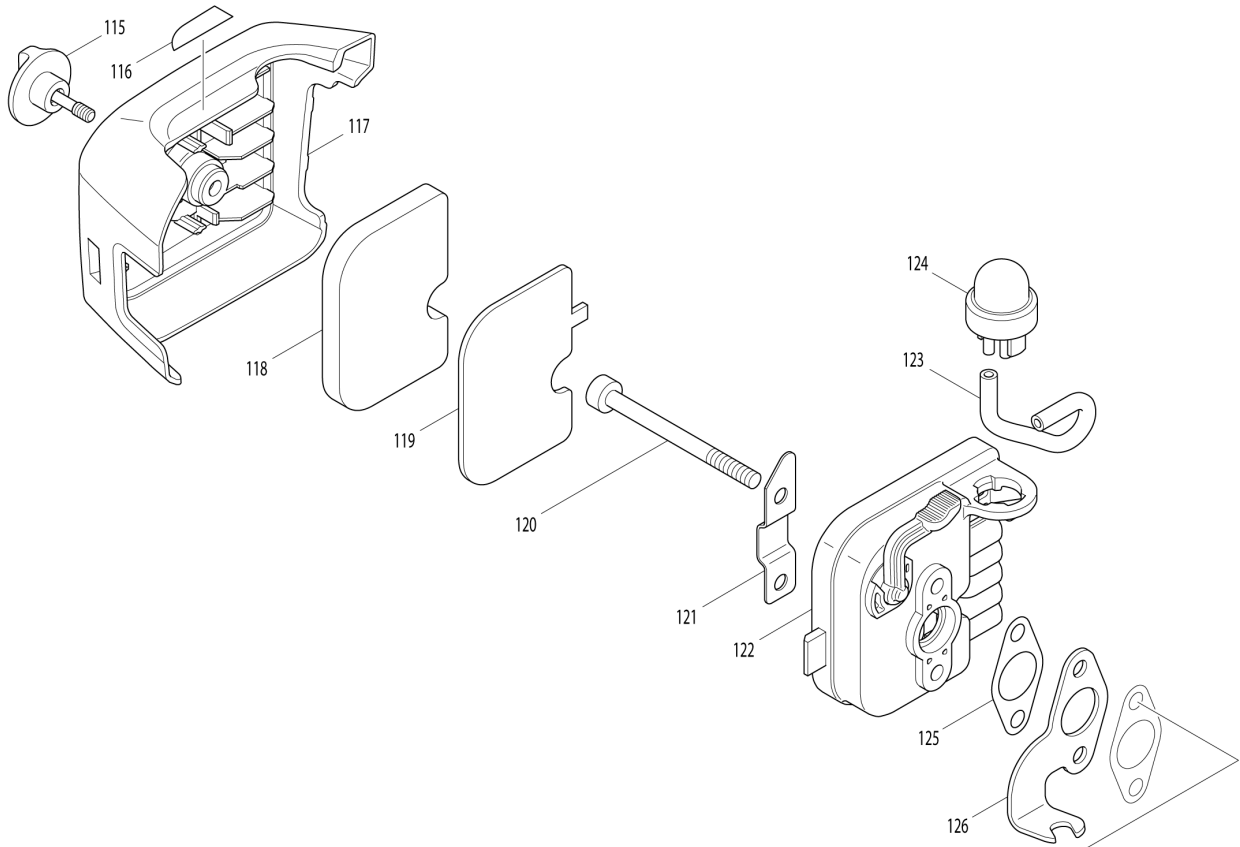
(VN) EH7500S / PETROL HEDGE TRIMMER



(VN) EH7500S / PETROL HEDGE TRIMMER



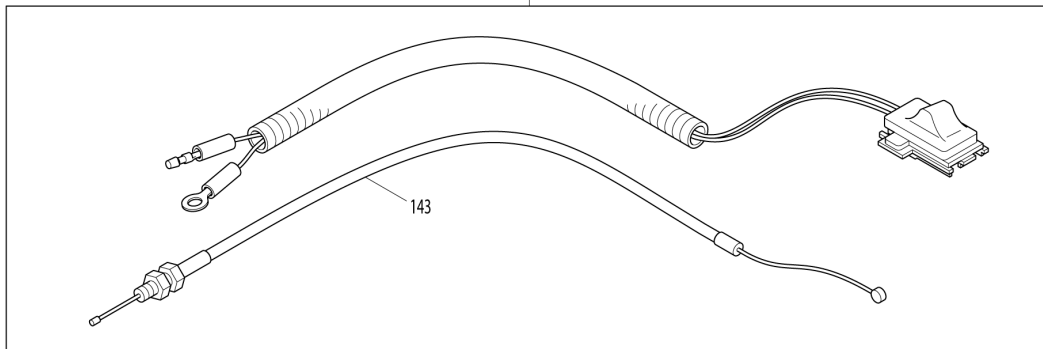
(VN) EH7500S / PETROL HEDGE TRIMMER



(VN) EH7500S / PETROL HEDGE TRIMMER

3

142



144

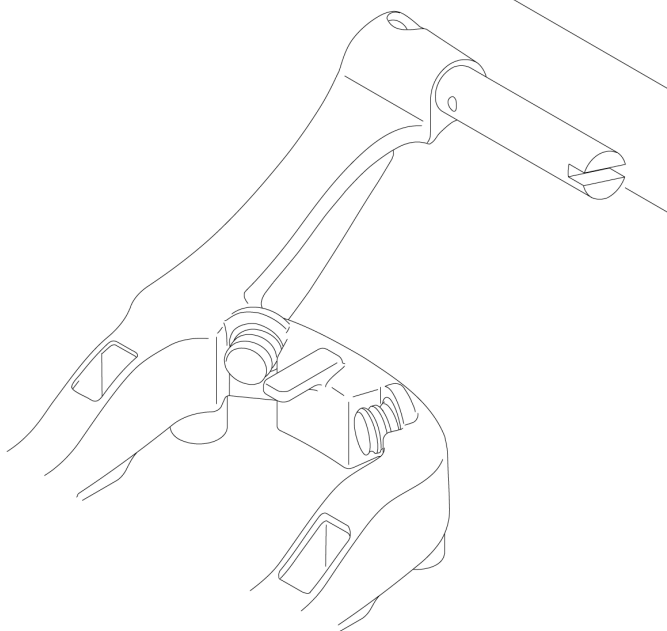
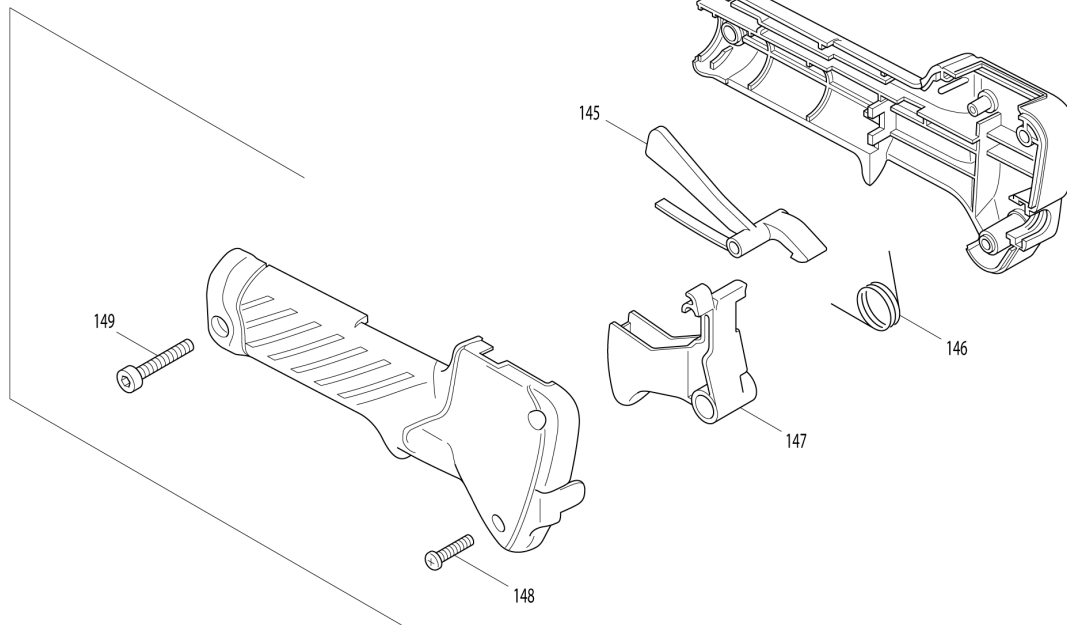
145

149

146

147

148



VN	VIETNAM
-----------	----------------

EH750S / PETROL HEDGE TRIMMER

Item	Sub	Parts No.	Parts Description	Qty	I/C	E/C No.	Close No.	Remark
001A		819811-0	CAUTION LABEL	1			A0329	
001-1A		819813-6	CAUTION LABEL	1	X	A0329		
001-1B		819813-6	CAUTION LABEL	1				
002		140504-1	HANDLE COMPLETE	1				
003		125772-7	CONTROL LEVER ASSEMBLY	1				
	D10		INCL.142-149					
004		168567-5	CLUTCH DRUM	1				
005		0031428000	INNER SNAP RING	1			C1235	
005-1		962106-1	RETAINING RING R-28	1	O	C1235		
006		0600129780	BALL BEARING	2			C6004	
006-1		211138-8	BALL BEARING 6001LLU	2	O	C6004		
007		227247-3	SPUR GEAR 9	1			C6004	
007-1		221600-5	SPUR GEAR 9	1	O	C6004		
008		0119059400	SOCKET HEAD BOLT M5X12	2			C1235	
008-1		922212-4	HEX. SOCKET HEAD BOLT M5X12	2	O	C1235		
009		451865-7	BAFFLE PLATE	1				
010		243107-1	GREASE NIPPLE	1				
011-1		141033-7	GEAR CASE COMPLETE	1				
012		346253-0	CLAMP	1				
013A		0119059780	SOCKET HEAD BOLT M5X12	1			Y06584	
013-1A		922213-2	H.S.H.BOLT M5X12 WITH WR	1	O	Y06584		
013-1B		922213-2	H.S.H.BOLT M5X12 WITH WR	1				
014		234182-8	COMPRESSION SPRING 15	2				
015		0119059360	SOCKET HEAD BOLT	2			C1235	
015-1		922224-7	H.S.H.BOLT M5X16 WITH WG	2	O	C1235		
016		234202-8	COMPRESSION SPRING 15	2				
017		0119059360	SOCKET HEAD BOLT	2			C1235	
017-1		922224-7	H.S.H.BOLT M5X16 WITH WG	2	O	C1235		
018A		0119059870	SOCKET HEAD BOLT M5X18	3			Y06152	
018-1A		266787-6	H.S.H.BOLT M5X18 WITH WR	3	O	Y06152		
018-1B		266787-6	H.S.H.BOLT M5X18 WITH WR	3				
019		346252-2	CLAMP	1				
020A		0119059780	SOCKET HEAD BOLT M5X12	1			Y06584	
020-1A		922213-2	H.S.H.BOLT M5X12 WITH WR	1	O	Y06584		
020-1B		922213-2	H.S.H.BOLT M5X12 WITH WR	1				
021		331896-1	PIPE	1				
022		346255-6	FRICTION PLATE	2				
023		346251-4	CONNECTING ROD	2				
024		227248-1	SPUR GEAR 43	1			C0854	
024-1		227248-1	SPUR GEAR 43	1	O	C0854		
025		922128-3	HEX. SOCKET HEAD BOLT M4X16	8				
026		318610-2	GEAR CASE COVER	1				
027A		922237-8	HEX. SOCKET HEAD BOLT M5X22	1			A0329	
027-1A		266573-5	HEX. SOCKET HEAD BOLT M5X33	1	X	A0329		
027-1B		266573-5	HEX. SOCKET HEAD BOLT M5X33	1				
028		413137-8	GEAR CASE GASKET	1				
029		443159-4	SEAL	1				
030		346256-4	HOLDER	1				
031A		922237-8	HEX. SOCKET HEAD BOLT M5X22	1			A0329	
031-1A		266573-5	HEX. SOCKET HEAD BOLT M5X33	1	X	A0329		
031-1B		266573-5	HEX. SOCKET HEAD BOLT M5X33	1				
032		0031105003	WASHER	1			C2147	
032-1		941101-4	FLAT WASHER 5	1	O	C2147		
033		313195-3	SLEEVE 5	2				
034A		346259-8	BLADE GUARD	1			A0329	
035A		0140059150	SCREW M5X6	5			A0329	
036		264036-5	HEX.LOCK NUT M6-10	5			C3289	
036-1		264089-4	HEX. LOCK NUT M6-10	5	O	C3289		
037A		0140059150	SCREW M5X6	1			C3258	
037B		0140059150	SCREW M5X6	1			B9251	
037-1A		265696-6	BINDING HEAD SCREW M5X6	1	O	C3258		
038		346288-1	END COVER	1			C3289	
038-1		346668-1	END COVER	1	O	C3289		
039		331894-5	GUIDE BAR	1			C3289	
039-1		332060-7	GUIDE BAR	1	O	C3289		

A:EH750S(N)
B:EH750SX(N)

Interchange
O : Yes
X : No
< : the new part can be substituted for the current.
> : the current part can be substituted for the new.
S : Interchangeable as a set.

VN	VIETNAM
-----------	----------------

EH7500S / PETROL HEDGE TRIMMER

Item	Sub	Parts No.	Parts Description	Qty	I/C	E/C No.	Close No.	Remark
040		346257-2	PLATE	1			C3289	
040-1		346667-3	PLATE	1	O	C3289		
041		725163-8	SHEAR BLADE A	1			C3289	
041-1		725185-8	SHEAR BLADE A	1	O	C3289		
042		725164-6	SHEAR BLADE B	1			C3289	
042-1		725186-6	SHEAR BLADE B	1	O	C3289		
043		346257-2	PLATE	1			C3289	
043-1		346667-3	PLATE	1	O	C3289		
044		266578-5	SOCKET BUTTON HEAD BOLT M6X20	5			C3289	
044-1		266824-6	H.S. BUTTON HEAD BOLT M6X20	5	O	C3289		
045		451868-1	BLADE COVER	1				
050		819807-1	EH7500S MODEL NO.LABEL	1			Y07892	
050-1		802W50-7	EH7500S MODEL NO. LABEL	1	O	Y07892		
051		0150049860	TAPPING SCREW M4X14	4				
052		125753-1	RECOIL STARTER ASSEMBLY	1				
	D10		INCL.53-60					
053A		5225004020	HANDLE	1			Y06152	
053-1A		424319-7	STARTER KNOB	1	O	Y06152		
053-1B		424319-7	STARTER KNOB	1				
054A		5255001040	DAMPER	1			Y06152	
054-1A		424359-5	DAMPER	1	O	Y06152		
054-1B		424359-5	DAMPER	1				
055A		5215002030	SPIRAL SPRING	1			Y06152	
055-1A		232258-5	SPIRAL SPRING	1	O	Y06152		
055-1B		232258-5	SPIRAL SPRING	1				
056		444028-2	STARTER,ROPE	1				
057		452402-0	REEL	1				
058		233991-2	DAMPER,SPRING	1				
059		452403-8	CAM PLATE	1				
060A		5195002060	SET SCREW	1			Y06152	
060-1A		266585-8	TAPPING SCREW 5X12	1	O	Y06152		
060-1B		266585-8	TAPPING SCREW 5X12	1				
061-1		452948-6	BLOWER HOUSING	1				
062A		0119059450	SOCKET HEAD BOLT M5X18	2			Y06200	
062-1A		266760-6	H.S.H.BOLT M5X18 WITH WRM	2	O	Y06200		
062-1B		266760-6	H.S.H.BOLT M5X18 WITH WRM	2				
063		451911-6	INSULATOR	1				
064		346268-7	INSULATOR GASKET	1				
065A		0119059870	SOCKET HEAD BOLT M5X18	4			Y06152	
065-1A		266787-6	H.S.H.BOLT M5X18 WITH WR	4	O	Y06152		
065-1B		266787-6	H.S.H.BOLT M5X18 WITH WR	4				
066-1		452556-3	SPACER	1				
067-1		168401-9	SPARK PLUG	1				
068A		0654009931	PLUG CAP SPRING	1			Y06152	
068-1A		324891-8	PLUG CAP SPRING	1	O	Y06152		
068-1B		324891-8	PLUG CAP SPRING	1				
069A		S198113530	RUBBER	1			Y06172	
069-1A		424491-5	GROMMET	1	O	Y06172		
069-1B		424491-5	GROMMET	1				
070		0119049970	SOCKET HEAD BOLT M4X20	2			C1786	
070-1		922138-0	H.S.H.BOLT M4X20 WITH WR	2	O	C1786		
071-1		168684-1	IGNITION COIL	1				
072A		0851069920	TUBE	1			Y06152	
072-1A		412102-4	TUBE	1	O	Y06152		
072-1B		412102-4	TUBE	1				
073		424302-4	PLUG CAP	1				
074		0119059620	SOCKET HEAD BOLT M5X18	1			C1786	
074-1		266760-6	H.S.H.BOLT M5X18 WITH WRM	1	O	C1786		
075		451860-7	CYLINDER COVER	1				
076		5503503001	SPACER	1				
077A		5415001160	NUT	1			Y06152	
077-1A		264083-6	NUT	1	O	Y06152	A0409	
077-2A		264050-1	SQUARE NUT M5-8	1	O	A0409		
077-2B		264050-1	SQUARE NUT M5-8	1				
078A		140508-3	CYLINDER COMPLETE	1			A0621	

A:EH7500S(N)
B:EH7500SX(N)

Interchange
O : Yes
X : No
< : the new part can be substituted for the current.
> : the current part can be substituted for the new.
S : Interchangeable as a set.

VN	VIETNAM
-----------	----------------

EH7500S / PETROL HEDGE TRIMMER

Item	Sub	Parts No.	Parts Description	Qty	I/C	E/C No.	Close No.	Remark
078-1A		141381-4	CYLINDER COMPLETE	1	O	A0621		
078-1B		141381-4	CYLINDER COMPLETE	1				
079A		S115113650	PISTON RING	2			Y06172	
079-1A		257334-4	PISTON RING 33	2	O	Y06172		
079-1B		257334-4	PISTON RING 33	2				
080A		S115313750	PISTON	1			Y06172	
080-1A		318858-6	PISTON	1	O	Y06172		
080-1B		318858-6	PISTON	1				
081A		0610089970	NEEDLE ROLLER BEARING	1			Y06152	
081-1A		212702-8	NEEDLE CAGE 810	1	O	Y06152		
081-1B		212702-8	NEEDLE CAGE 810	1				
082A		S115323130	PIN,PISTON	1			Y06584	
082-1A		256543-2	PISTON PIN 8	1	O	Y06584	C2597	
082-1B		256543-2	PISTON PIN 8	1			C2597	
082-2		268287-2	PISTON PIN 8	1	O	C2597		
083A		S198343210	CLIP	2			Y06172	
083-1A		234243-4	CLIP	2	O	Y06172		
083-1B		234243-4	CLIP	2				
084		140429-9	CRANKSHAFT COMPLETE	1				
085A		S034309031	WOODRUFF KEY	1			Y06584	
085-1A		254041-0	WOODRUFF KEY	1	O	Y06584		
085-1B		254041-0	WOODRUFF KEY	1				
086		346267-9	CYLINDER GASKET	1				
087A		0119059870	SOCKET HEAD BOLT M5X18	3			Y06152	
087-1A		266787-6	H.S.H.BOLT M5X18 WITH WR	3	O	Y06152		
087-1B		266787-6	H.S.H.BOLT M5X18 WITH WR	3				
088		346260-3	MUFFLER GASKET	1				
089A		168565-9	MUFFLER	1			B4064	
089-1A		161555-1	MUFFLER	1	<	B4064	C7055	
089-1B		161555-1	MUFFLER	1			C7055	
089-2		162530-0	MUFFLER	1	<	C7055		
090		346343-9	MUFFLER COVER	1				
091		0140059962	SCREW M5X5	1				
092A		0119059550	SOCKET HEAD BOLT	2			Y06152	
092-1A		266754-1	SOCKET HEAD BOLT	2	O	Y06152		
092-1B		266754-1	SOCKET HEAD BOLT	2				
093		451861-5	MUFFLER COVER	1				
094		0119059620	SOCKET HEAD BOLT M5X18	1			C1786	
094-1		266760-6	H.S.H.BOLT M5X18 WITH WRM	1	O	C1786		
095A		0119059870	SOCKET HEAD BOLT M5X18	1			Y06152	
095-1A		266787-6	H.S.H.BOLT M5X18 WITH WR	1	O	Y06152		
095-1B		266787-6	H.S.H.BOLT M5X18 WITH WR	1				
096-1		141150-3	CLUTCH COMPLETE	1				
097		5231016000	CRANKCASE ASSEMBLY	1				
	D10		INCL.98-102					
098A		0440109970	OIL SEAL (S)	1			Y06152	
098-1A		213148-1	OIL SEAL 10	1	O	Y06152	Y06368	
098-2A		213769-9	OIL SEAL 10	1	O	Y06368		
098-2B		213769-9	OIL SEAL 10	1				
099A		0600109980	BALL BEARING 6000	2			Y06152	
099-1A		210086-8	BALL BEARING 6000	2	O	Y06152	A2743	
099-2A		211064-1	BALL BEARING 6000	2	O	A2743		
099-2B		211064-1	BALL BEARING 6000	2				
100		413139-4	CRANKCASE GASKET	1				
101A		0440109970	OIL SEAL (S)	1			Y06152	
101-1A		213148-1	OIL SEAL 10	1	O	Y06152	Y06368	
101-2A		213769-9	OIL SEAL 10	1	O	Y06368		
101-2B		213769-9	OIL SEAL 10	1				
102A		0119059870	SOCKET HEAD BOLT M5X18	3			Y06152	
102-1A		266787-6	H.S.H.BOLT M5X18 WITH WR	3	O	Y06152		
102-1B		266787-6	H.S.H.BOLT M5X18 WITH WR	3				
103-1		126046-9	FLYWHEEL ASSEMBLY	1				
104A		S020109118	NUT M6	1			Y06584	
104-1A		264073-9	CORNED DISC SPRING HEX NUT M6	1	O	Y06584		
104-1B		264073-9	CORNED DISC SPRING HEX NUT M6	1				

A:EH7500S(N)
B:EH7500SX(N)

Interchange
O : Yes
X : No
< : the new part can be substituted for the current.
> : the current part can be substituted for the new.
S : Interchangeable as a set.

VN	VIETNAM
-----------	----------------

EH7500S / PETROL HEDGE TRIMMER

Item	Sub	Parts No.	Parts Description	Qty	I/C	E/C No.	Close No.	Remark
105		125770-1	FUEL TANK CAP ASSEMBLY	1			C6152	
	D10		INCL.106,107				C6152	
105-1		127110-9	FUEL TANK CAP ASSEMBLY	1	O	C6152		
	D10		INCL.106,107			C6152		
106		125840-6	FUEL TANK CAP ASSEMBLY	1			Y07389	
107		140624-1	STRAP COMPLETE	1			Y07389	
108		424080-6	BUFFER RUBBER	2				
109		451867-3	FUEL TANK	1			C5010	
109-1		458743-2	FUEL TANK	1	S	C5010		
110		168568-3	FUEL TUBE ASSEMBLY	1				
111A		0561059990	HOSE CLAMP	1			Y06152	
111-1A		345920-4	HOSE CLAMP	1	O	Y06152		
111-1B		345920-4	HOSE CLAMP	1				
112A		5266500100	FILTER	1			Y06152	
112-1A		163518-3	GASOLINE FILTER	1	O	Y06152		
112-1B		163518-3	GASOLINE FILTER	1				
113		0119059350	SOCKET HEAD BOLT M5X20	1			C5010	
113-1		251583-5	H.SOCKET HEAD SHOULDER BOLT M5	1	S	C5010		
114		452197-5	SPACER	1			C5010	
114-1		458095-1	SPACER	2	S	C5010		
115		265791-2	THUMB SCREW M4	1				
116		819818-6	CHOKE INDICATION LABEL	1				
117		451859-2	AIR CLEANER COVER	1				
118		443157-8	AIR FILTER	1				
119		443158-6	AIR FILTER	1				
120		0119059710	SOCKET HEAD BOLT M5X60	2			C1786	
120-1		266618-9	H.S.BUTTON HEAD BOLT M5X60	2	O	C1786		
121A		5923502600	PLATE	1			Y06152	
121-1A		345919-9	PLATE	1	O	Y06152	96470	
121-2A		346647-9	PLATE	1	<	96470		
121-2B		346647-9	PLATE	1				
122-1		126029-9	AIR CLEANER PLATE ASSY	1				
123		412097-1	TUBE	1				
124-1		168398-2	PRIMER PUMP	1				
125A		5253503900	GASKET,CARBURETOR	2			Y06172	
125-1A		413158-0	CARBURETOR GASKET	2	O	Y06172		
125-1B		413158-0	CARBURETOR GASKET	2				
126		346334-0	CABLE BRACKET	1				
127		168569-1	CARBURETOR	1				
	D10		INCL.128-140					
128A		5216002020	PAN HEAD SCREW	4			Y06152	
128-1A		266770-3	SCREW	4	O	Y06152	Y06944	
128-2A		WJ00096325	SCREW	4	O	Y06944		
128-2B		WJ00096325	SCREW	4				
129A		5316005030	PRIMER PUMP COVER	1			Y06152	
129-1A		346608-9	METER DIAPHRAGM COVER	1	O	Y06152	Y06944	
129-2A		WJ00021158	METERING DIAPHRAGM COVER	1	O	Y06944		
129-2B		WJ00021158	METERING DIAPHRAGM COVER	1				
130A		5266009010	METERING DIAPHRAGM ASSY	1			Y06152	
130-1A		168620-7	METERING DIAPHRAGM	1	O	Y06152		
130-1B		168620-7	METERING DIAPHRAGM	1				
131A		5016004130	GASKET	1			Y06152	
131-1A		442183-4	METERING DIAPHRAGM GASKET	1	O	Y06152		
131-1B		442183-4	METERING DIAPHRAGM GASKET	1				
132		140661-5	BODY ASSEMBLY-PUMP	1				
	D10		INCL.133					
133A		5016004010	INLET SCREEN	1			Y06152	
133-1A		352010-6	INLET SCREEN	1	O	Y06152	Y07179	
133-2A		WJ00014070	INLET SCREEN	1	O	Y07179		
133-2B		WJ00014070	INLET SCREEN	1				
134A		5246001040	PUMP DIAPHRAGM	1			Y06152	
134-1A		168575-6	PUMP DIAPHRAGM	1	O	Y06152	Y07366	
134-2A		WJ00009599	PUMP DIAPHRAGM	1	O	Y07366		
134-2B		WJ00009599	PUMP DIAPHRAGM	1				
135A		5926002040	PUMP GASKET	1			Y06152	

A:EH7500S(N)
B:EH7500SX(N)

Interchange
O : Yes
X : No
< : the new part can be substituted for the current.
> : the current part can be substituted for the new.
S : Interchangeable as a set.

VN	VIETNAM
-----------	----------------

EH7500S / PETROL HEDGE TRIMMER

Item	Sub	Parts No.	Parts Description	Qty	I/C	E/C No.	Close No.	Remark
135-1A		442155-9	PUMP GASKET	1	O	Y06152		
135-1B		442155-9	PUMP GASKET	1				
136		326005-5	JET	1				
137A		5246001010	O RING	1			Y06152	
137-1A		213538-8	O RING 2	1	O	Y06152		
137-1B		213538-8	O RING 2	1				
138A		5206008030	PAN HEAD SCREW	2			Y06152	
138-1A		266581-6	PAN HEAD SCREW M3X8 WITH W	2	O	Y06152	Y06995	
138-2A		WJ00096364	SCREW M3X8 WITH WASHER	2	O	Y06995		
138-2B		WJ00096364	SCREW M3X8 WITH WASHER	2				
139A		5236018040	SWIVEL	1			Y06152	
139-1A		325922-6	SWIVEL	1	O	Y06152		
139-1B		325922-6	SWIVEL	1				
140A		5316005120	RING	1			Y06152	
140-1A		257964-1	STOP RING E-3	1	O	Y06152		
140-1B		257964-1	STOP RING E-3	1				
141		413147-5	CARBURETOR GASKET	1				
142		6014021000	WIRE SET	1				
	D10		INCL.143					
143		168626-5	WIRE COMPLETE	1				
144A		6215022040	NUT M5	1			Y06152	
144-1A		264049-6	U NUT M5	1	O	Y06152		
144-1B		264049-6	U NUT M5	1				
145A		6215023060	LEVER	1			Y06152	
145-1A		451934-4	STOP LEVER	1	O	Y06152		
145-1B		451934-4	STOP LEVER	1				
146A		6195006050	SPRING	1			Y06152	
146-1A		233568-3	TORSION SPRING	1	O	Y06152		
146-1B		233568-3	TORSION SPRING	1				
147A		6215022030	LEVER	1			Y06152	
147-1A		452277-7	LONG LEVER	1	O	Y06152		
147-1B		452277-7	LONG LEVER	1				
148A		6195006060	TAPPING SCREW M4X20	2			Y06152	
148-1A		266584-0	TAPPING SCREW 4X20	2	O	Y06152		
148-1B		266584-0	TAPPING SCREW 4X20	2				
149A		0119059980	SOCKET HEAD BOLT M5X30	1			Y06172	
149-1A		922252-2	HEX. SOCKET HEAD BOLT M5X30	1	O	Y06172		
149-1B		922252-2	HEX. SOCKET HEAD BOLT M5X30	1				
150A		346515-6	PLATE	1		A0329	A0466	
150-1A		346662-3	PLATE	1	O	A0466		
150-1B		346662-3	PLATE	1				
151A		0023705000	FLANGE NUT M5	2		A0329		
151B		0023705000	FLANGE NUT M5	2				
152A		266572-7	+ TRUSS HEAD SCREW M5X8	2		A0329	A0466	
152-1A		266875-9	H.S.H.BOLT M5X8	2	<	A0466		
152-1B		266875-9	H.S.H.BOLT M5X8	2				
153		814E64-6	SERIAL NO. LABEL	1		Y07381		
A01A		782233-6	BOX DRIVER 10-16	1		B9396		
A01B		451866-5	CHIP RECEIVER	1				
A02A		783223-2	HEX. WRENCH 4	1		B9396		
A02B		915211-3	BINDING HEAD SCREW M5X12	5				
A03B		782233-6	BOX DRIVER 10-16	1		B9396		
A04B		783223-2	HEX. WRENCH 4	1		B9396		
B01		126285-1	SHEAR BLADE ASSEMBLY	1		C3289		
	D10		INC. 33,36,38-44			C3289		

A:EH7500S(N)
 B:EH7500SX(N)

Interchange
 O : Yes
 X : No
 < : the new part can be substituted for the current.
 > : the current part can be substituted for the new.
 S : Interchangeable as a set.