



VN	VIETNAM
----	---------

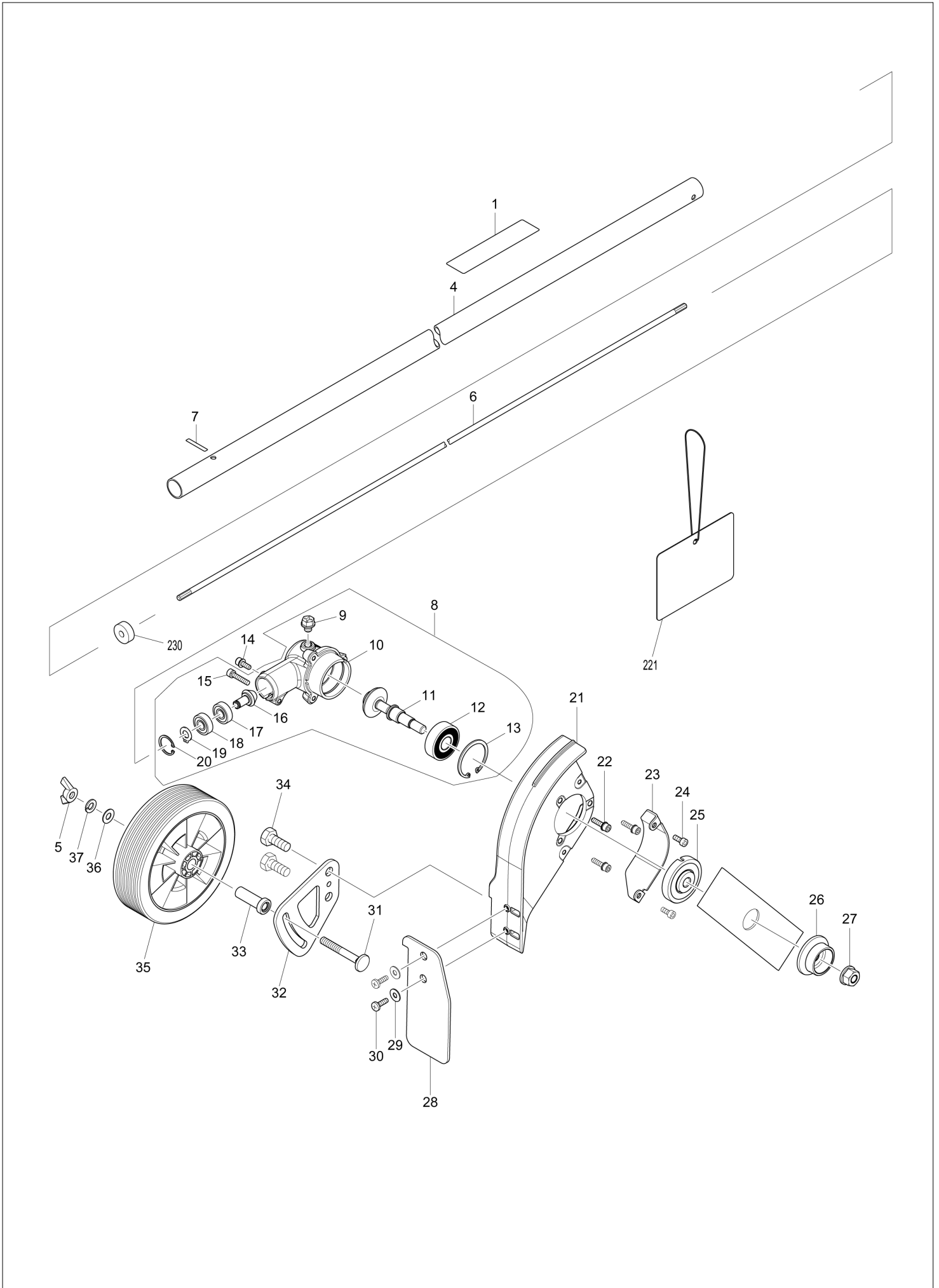
# Diagram / Parts List

**EE2650H**

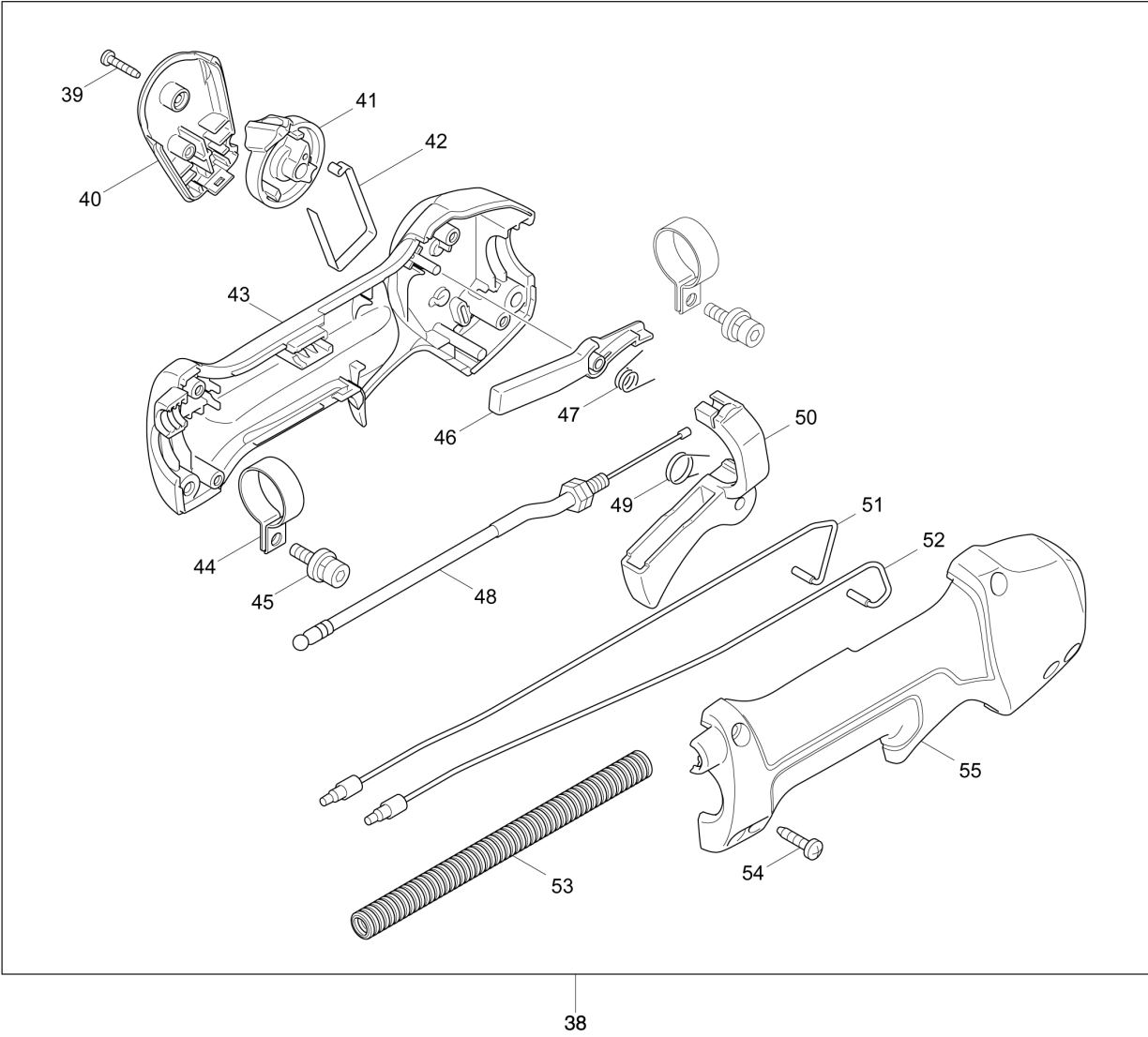
**PETROL EDGER**



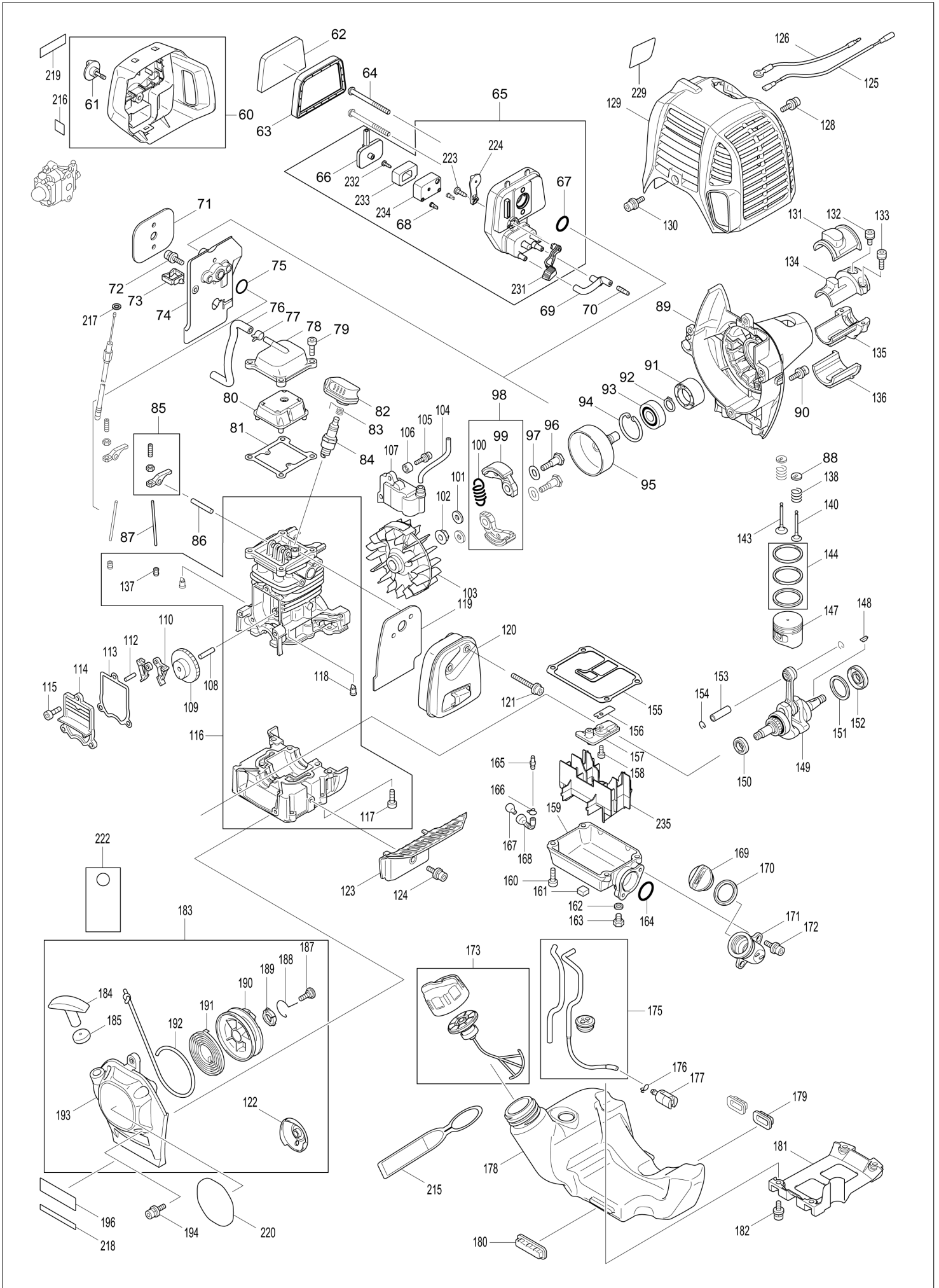
(VN) EE2650H / PETROL EDGER



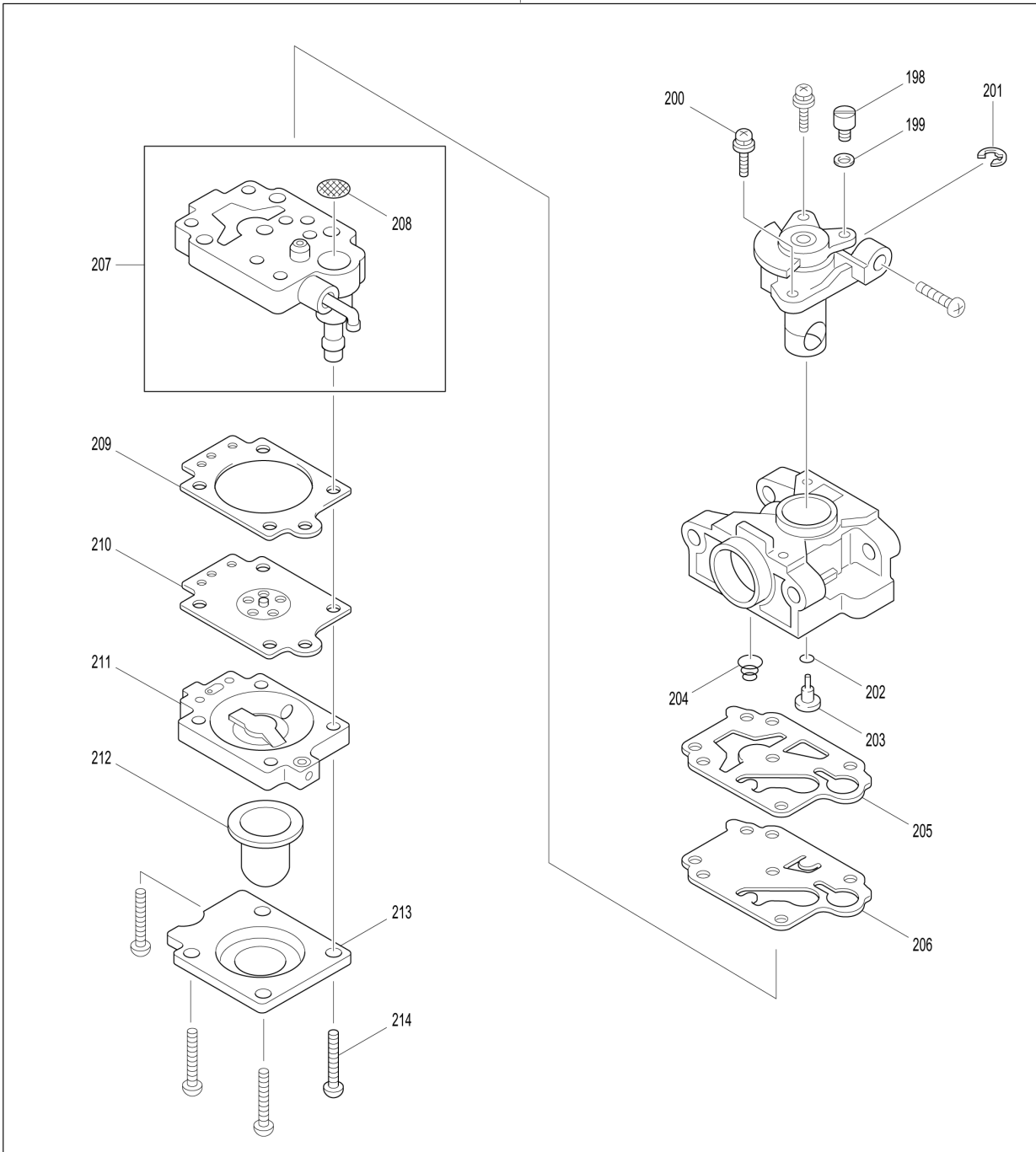
(VN) EE2650H / PETROL EDGER



# (VN) EE2650H / PETROL EDGER



197



<b>VN</b>	<b>VIETNAM</b>
-----------	----------------

### EE2650H / PETROL EDGER

Item	Sub	Parts No.	Parts Description	Qty	I/C	E/C No.	Close No.	Remark
001		819312-8	MAKITA LOGO LABEL	1				
004		142560-7	SHFT PIPE COMPLETE	1				
	C10	803G33-4	CAUTION LABEL	1				
	C20	808723-2	CAUTION LABEL	2				
005		934401-9	WING NUT M8	1				
006		324893-4	SHAFT	1			B9070	
006-1		327056-1	SHAFT	1	O	B9070		
007		814E64-6	SERIAL NO. LABEL	1				
008		126414-6	GEAR CASE ASS'Y	1				
	D10		INC. 9-13,15-20					
009		265590-2	+HEX.BOLT M8X10 WITH R	1				
010		319102-4	GEAR CASE	1				
011		126415-4	CUTTER SHAFT ASS'Y	1				
012		211231-8	BALL BEARING 6302DDW	1				
013		962201-7	RETAINING RING (INT) R-42	1				
014		922218-2	H.S.H.BOLT M5X14 WITH WR	1				
015		922241-7	HEX. SOCKET HEAD BOLT M5X25	1				
016		227629-9	SPIRAL BEVEL GEAR 14	1				
017		210049-4	BALL BEARING 609ZZ	1				
018		210049-4	BALL BEARING 609ZZ	1				
019		961005-4	RETAINING RING S-9	1				
020		962103-7	RETAINING RING R-24	1				
021		319103-2	BLADE CASE	1				
022		922233-6	H.S.H.BOLT M5X20 WITH WR	3				
023		346759-8	GUARD PLATE	1				
024		266874-1	H.S.H.BOLT M5X14	2				
025-1		326734-0	RECEIVE WASHER	1				
026		326381-7	CLAMP	1				
027		264025-0	HEX. NUT M10-17	1				
028		424615-3	DEFLECTOR	1				
029		253804-1	FLAT WASHER 6	2				
030		266027-2	TAPPING SCREW CT5X16	2				
031-1		266937-3	C.HEAD SQUARE NECK BOLT M8X64	1				
032		346758-0	PLATE	1				
033		257821-3	SLEEVE 8	1				
034		921542-0	HEX. BOLT M10X25	2				
035		454843-6	WHEEL	1				
036		941201-0	FLAT WASHER 8	1				
037		942201-3	SPRING WASHER 8	1				
038		126488-7	CONTROL LEVER ASSEMBLY	1				
	D10		INC. 39-55					
039		266130-9	TAPPING SCREW BIND PT 3X16	1				
040		451595-0	SWITCH COVER	1				
041		451594-2	SWITCH LEVER	1				
042		232251-9	LEAF SPRING	1				
043		188832-6	LEVER CASE SET	1				
	D10		INC. 55					
044		346248-3	CLAMP 24	2				
045		922218-2	H.S.H.BOLT M5X14 WITH WR	2				
046		451593-4	LOCK LEVER	1				
047		233541-3	TORSION SPRING 7	1				
048		168571-4	CONTROL CABLE	1				
049		233540-5	TORSION SPRING 11	1				
050		455313-8	THROTTLE LEVER	1				
051		638714-7	LEAD UNIT	1				
052		638713-9	LEAD UNIT	1				
053		452071-7	CORRUGATE TUBE	1				
054		266326-2	TAPPING SCREW 4X18	4				
055		188832-6	LEVER CASE SET	1				
	D10		INC. 43					
060		126202-1	CLEANER COVER ASSEMBLY	1			B1277	
	D10		INC. 61				B1277	
060-1		123499-3	CLEANER COVER ASSEMBLY	1	S	B1277		
	D10		INC. 61			B1277		
061		265791-2	THUMB SCREW M4	1				

Interchange  
O : Yes  
X : No  
< : the new part can be substituted for the current.  
> : the current part can be substituted for the new.  
S : Interchangeable as a set.

<b>VN</b>	<b>VIETNAM</b>
-----------	----------------

### EE2650H / PETROL EDGER

Item	Sub	Parts No.	Parts Description	Qty	I/C	E/C No.	Close No.	Remark
062		443171-4	AIR CLEANER ELEMENT	1			D4382	
062-1		443171-4	AIR CLEANER ELEMENT	1	O	D4382		
063		443169-1	AIR CLEANER ELEMENT	1				
064		266618-9	H.S.BUTTON HEAD BOLT M5X60	2				
065		126198-6	CLEANER PLATE ASSEMBLY	1			B1277	
	D10		INC. 66-68,223,224,231-234				B1277	
065-1		123501-2	CLEANER PLATE ASSEMBLY	1	S	B1277		
	D10		INC. 66-68,223,224,231-234			B1277		
066		162346-3	SEPARATOR PLATE	1				
067		213540-1	O RING 15	1				
068		424316-3	CHECK VALVE	2				
069		422099-9	PIPE	1				
070		325665-0	JOINT PIPE	1				
071		442153-3	CARBURETOR GASKET	1				
072		266787-6	H.S.H.BOLT M5X18 WITH WR	2				
073		451825-9	CLAMP	1				
074		451729-5	INSULATOR	1				
075		213547-7	O-RING 12	1				
076		422109-2	BREATHER PIPE	1				
077		345918-1	HOSE CLAMP	1				
078		318745-9	ROCKER COVER OUTER	1				
079		922222-1	HEX. SOCKET HEAD BOLT M5X16	4				
080		453860-3	ROCKER COVER INNER	1				
081		162304-9	ROCKER COVER GASKET	1				
082		424302-4	PLUG CAP	1				
083		324891-8	PLUG CAP SPRING	1				
084		168534-0	SPARK PLUG	1				
085		125554-7	ROCKER ARM ASSEMBLY	2				
086		256200-2	PIN 5	1				
087		256865-0	ROD 2.5	2				
088		325668-4	SPRING RETAINER	2				
089		451735-0	CLUTCH CASE	1				
090		922228-9	H.S.H.BOLT M5X18 WITH WR	3				
091		450569-8	SPACER	1				
092		961052-5	RETAINING RING S-12	1				
093		210111-5	BALL BEARING 6201LLU	1				
094		962151-6	RETAINING RING R-32	1				
095		168809-7	CLUTCH DRUM COMPLETE	1			B4725	
095-1		161588-6	CLUTCH DRUM COMPLETE	1	<	B4725		
096		266864-4	SHOULDER HEX. BOLT M6X25	2				
097		267817-6	WASHER 8	2				
098		126135-0	CLUTCH ASSEMBLY	1				
	D10		INC. 99,100					
099-1		161332-1	CLUTCH SHOE	2				
100		231881-3	TENSION SPRING 7	1				
101		267812-6	WASHER 6	2				
102		264039-9	CONED DISK SPRING HEXNUT M8-13	1				
103		318569-3	FLYWHEEL	1				
104		444021-6	TUBE	1				
105		266602-4	HEX. SOCKET HEAD BOLT M4X20	2				
106		452049-0	SPACER	2				
107		168559-4	IGNITION COIL	1				
108		268238-5	PIN 5	1				
109		125552-1	CAM GEAR ASSEMBLY	1				
110		313169-4	CAM LIFTER	2				
112		268239-3	PIN 4	1				
113		162274-2	CAM GEAR COVER GASKET	1				
114		318443-5	CAM GEAR COVER	1				
115		922222-1	HEX. SOCKET HEAD BOLT M5X16	3				
116		135478-9	CYLINDER BLOCK ASSEMBLY	1				
	D10		INC. 117,118,137					
117		922222-1	HEX. SOCKET HEAD BOLT M5X16	6				
118		424201-0	CHECK VALVE	2				
119		346331-6	MUFFLER GASKET	1				
120		168554-4	EXHAUST MUFFLER	1				

Interchange  
O : Yes  
X : No  
< : the new part can be substituted for the current.  
> : the current part can be substituted for the new.  
S : Interchangeable as a set.

<b>VN</b>	<b>VIETNAM</b>
-----------	----------------

### EE2650H / PETROL EDGER

Item	Sub	Parts No.	Parts Description	Qty	I/C	E/C No.	Close No.	Remark
121		266440-4	HEX SOCKET HEAD BOLT M5X40	2				
122		168483-1	PULLEY	1				
123		451731-8	MUFFLER PLATE	1				
124		922218-2	H.S.H.BOLT M5X14 WITH WR	1				
125		638707-4	LEAD UNIT	1				
126		638708-2	LEAD UNIT	1				
128		922218-2	H.S.H.BOLT M5X14 WITH WR	1				
129		453266-5	CYLINDER COVER	1				
130		922218-2	H.S.H.BOLT M5X14 WITH WR	1				
131		424082-2	BUFFER RUBBER	1				
132		922211-6	H.S.H.BOLT M5X12 WITH W	1				
133		922226-3	HEX. SOCKET HEAD BOLT M5X18	2				
134		318249-1	PIPE HOLDER	1				
135		318250-6	PIPE HOLDER	1				
136		424083-0	BUFFER RUBBER	1				
137		424200-2	SPACER	2				
138		234108-0	COMPRESSION SPRING 9	2				
140-1		326366-3	EXHAUST VALVE	1				
143-1		326367-1	INTAKE VALVE	1				
144		195145-8	PISTON RING SET	1				
147		318441-9	PISTON	1				
148		254040-2	WOODRUFF KEY 3	1				
149		126359-8	CRANK SHAFT ASSEMBLY	1			B2951	
	D10		INC. 150-152				B2951	
149-1		123774-7	CRANK SHAFT ASSEMBLY	1	<	B2951		
	D10		INC. 150-152			B2951		
150		213148-1	OIL SEAL 10	1			B2951	
150-1		213769-9	OIL SEAL 10	1	<	B2951		
151		267400-9	FLAT WASHER 23	1				
152		213147-3	OIL SEAL 12	1			B2951	
152-1		213089-1	OIL SEAL 12	1	<	B2951		
153		257781-9	PISTON PIN	1				
154		233976-8	CLIP	2				
155		162345-5	OIL CASE GASKET	1				
156		346083-9	LEAD VALVE	1				
157		318910-0	RETAINER PLATE	1				
158		922112-8	HEX. SOCKET HEAD BOLT M4X10	1				
159		318588-9	OIL CASE	1				
160		922222-1	HEX. SOCKET HEAD BOLT M5X16	4				
161		424344-8	DAMPER	1				
162		346305-7	GASKET	1				
163		266611-3	HEX BOLT M6X8	1				
164		213548-5	O-RING 20	1				
165		325665-0	JOINT PIPE	1				
166-1		282020-8	HOSE CLAMP	1				
167-1		325666-8	OIL WEIGHT	1				
168-1		125805-8	OIL TUBE ASSEMBLY	1				
	C10	424301-6	OIL TUBE	1				
	D10		INC. 166,167					
169		452047-4	OIL CAP	1				
170		424343-0	GASKET	1				
171		452048-2	OIL PIPE	1				
172		922218-2	H.S.H.BOLT M5X14 WITH WR	2				
173		125728-0	FUEL TANK CAP ASSEMBLY	1			C4429	
173-1		127112-5	FUEL TANK CAP ASSEMBLY	1	O	C4429		
175		168755-4	TUBE COMPLETE	1				
176		282020-8	HOSE CLAMP	1				
177		163518-3	GASOLINE FILTER	1				
178		451736-8	FUEL TANK	1				
179		424080-6	BUFFER RUBBER	2				
180		424081-4	BUFFER RUBBER	1				
181		451737-6	TANK GUARD	1				
182		922218-2	H.S.H.BOLT M5X14 WITH WR	4				
183		195308-6	RECOIL STARTER SET	1				
	D10		INC. 122,184,185,187-193					

Interchange  
O : Yes  
X : No  
< : the new part can be substituted for the current.  
> : the current part can be substituted for the new.  
S : Interchangeable as a set.



