



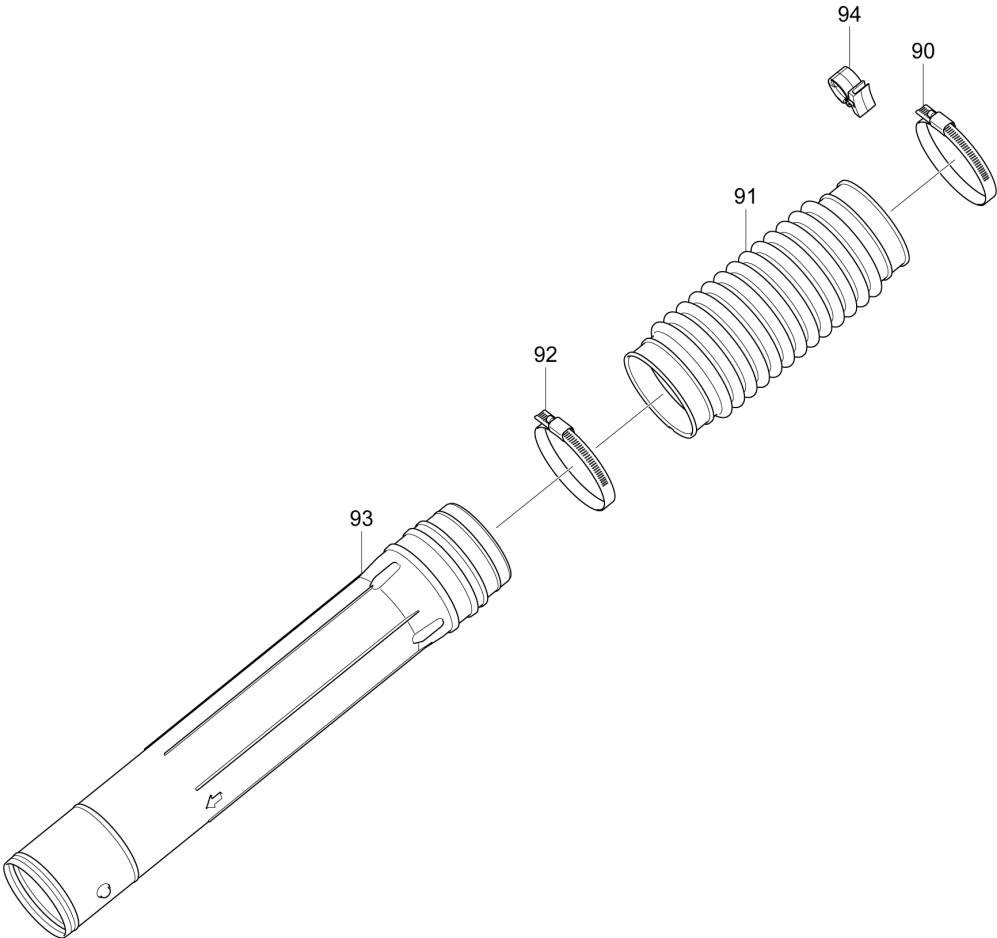
VN	VIETNAM
----	---------

# Diagram / Parts List

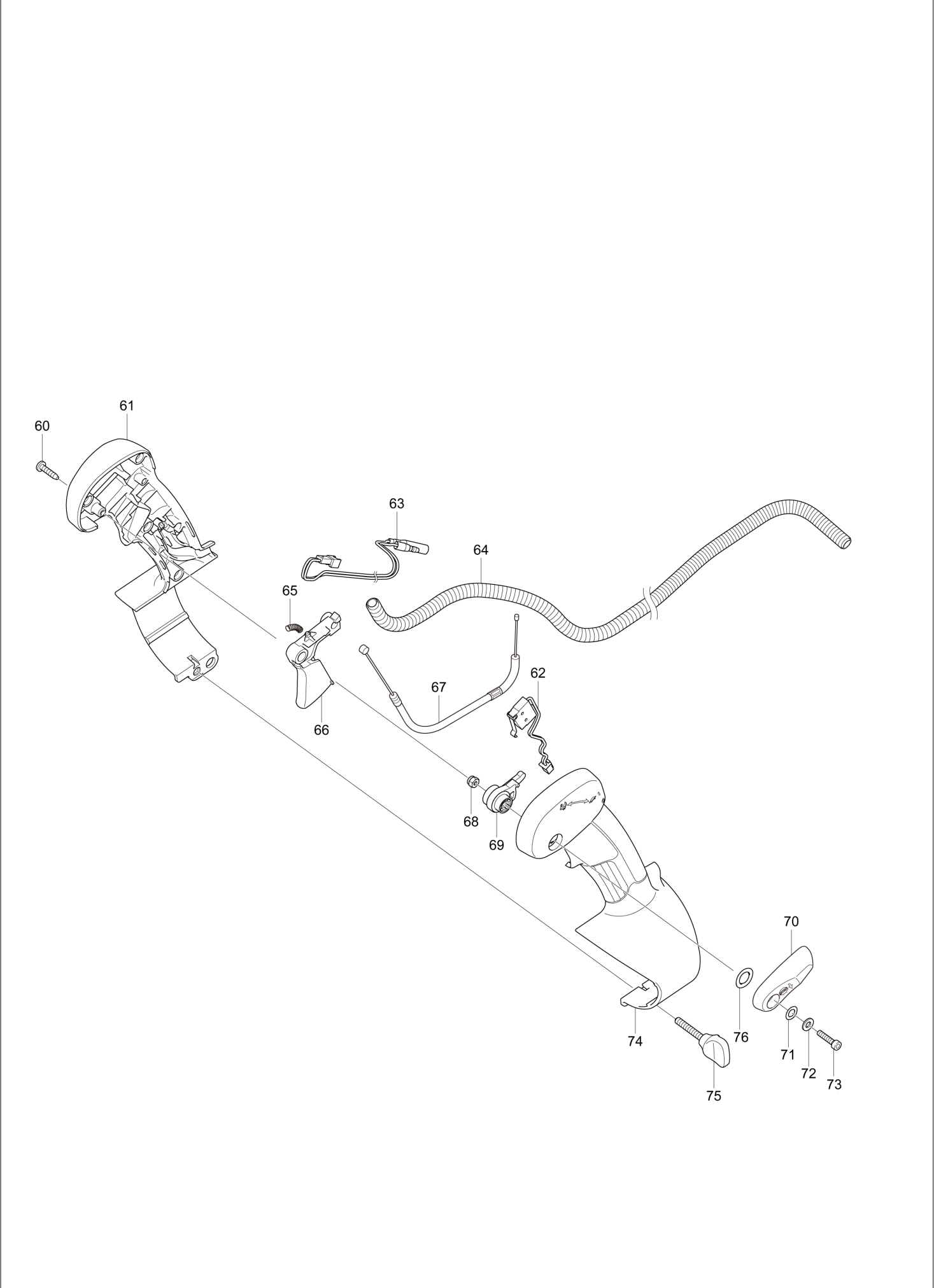
**EB7660TH**

**PETROL BLOWER**

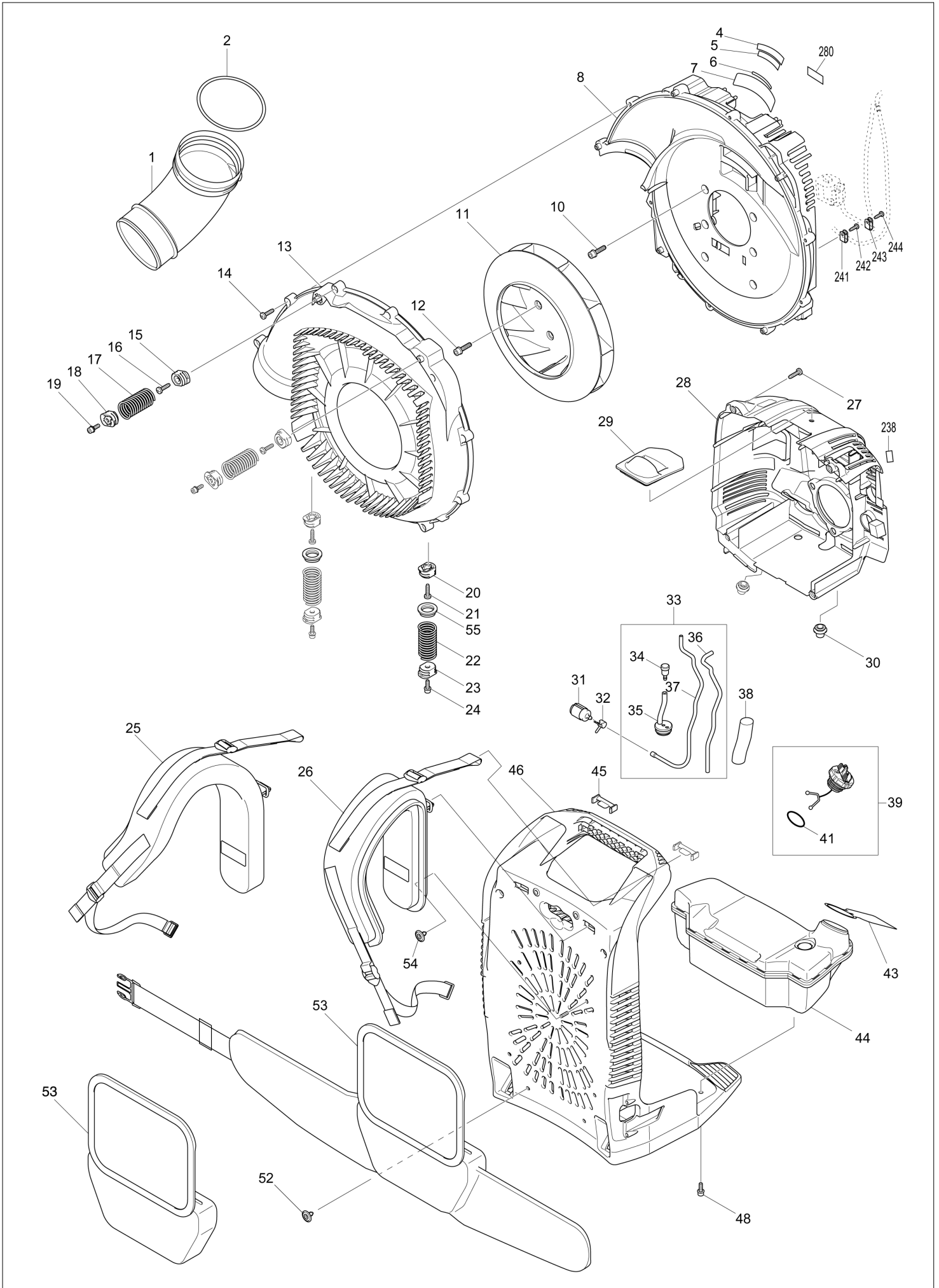




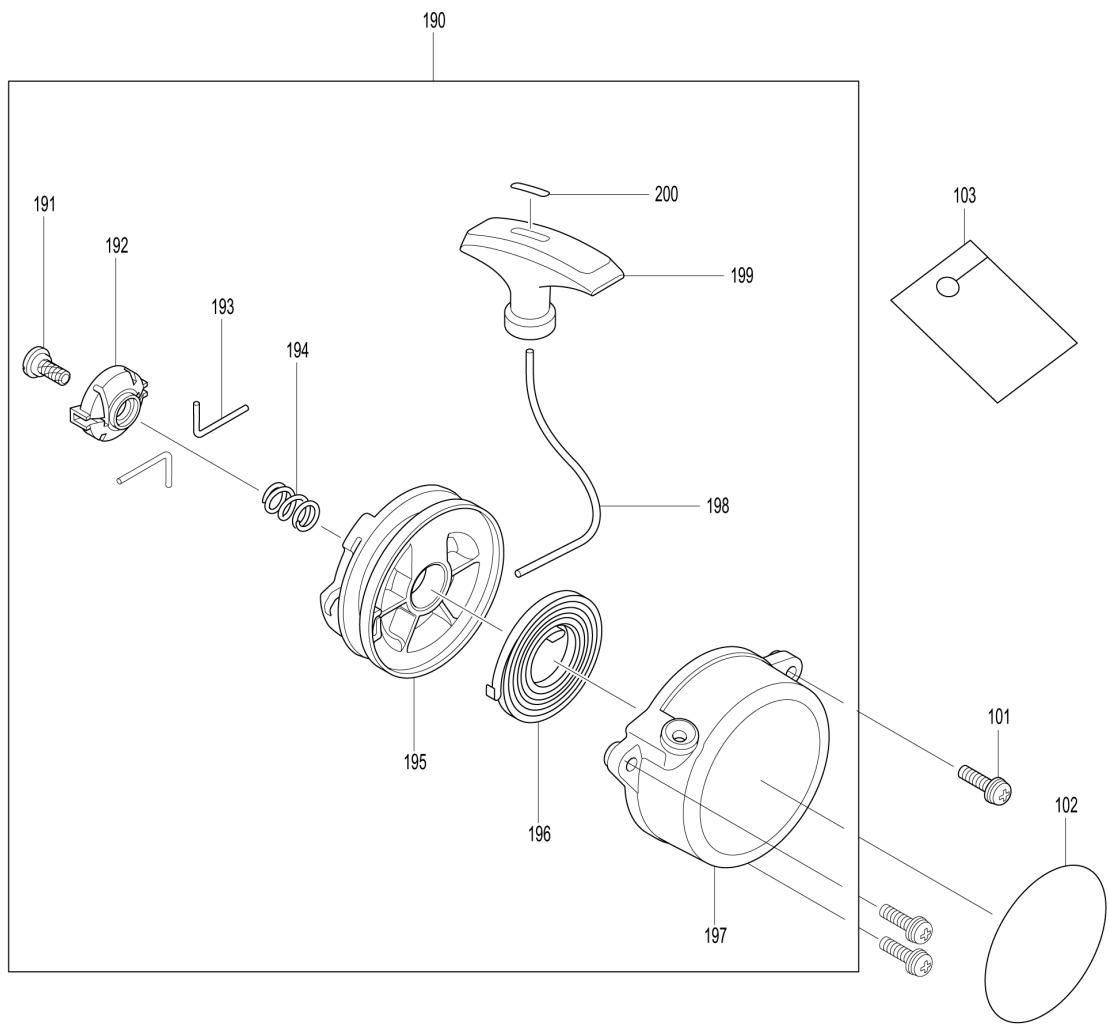
(VN) EB7660TH / PETROL BLOWER



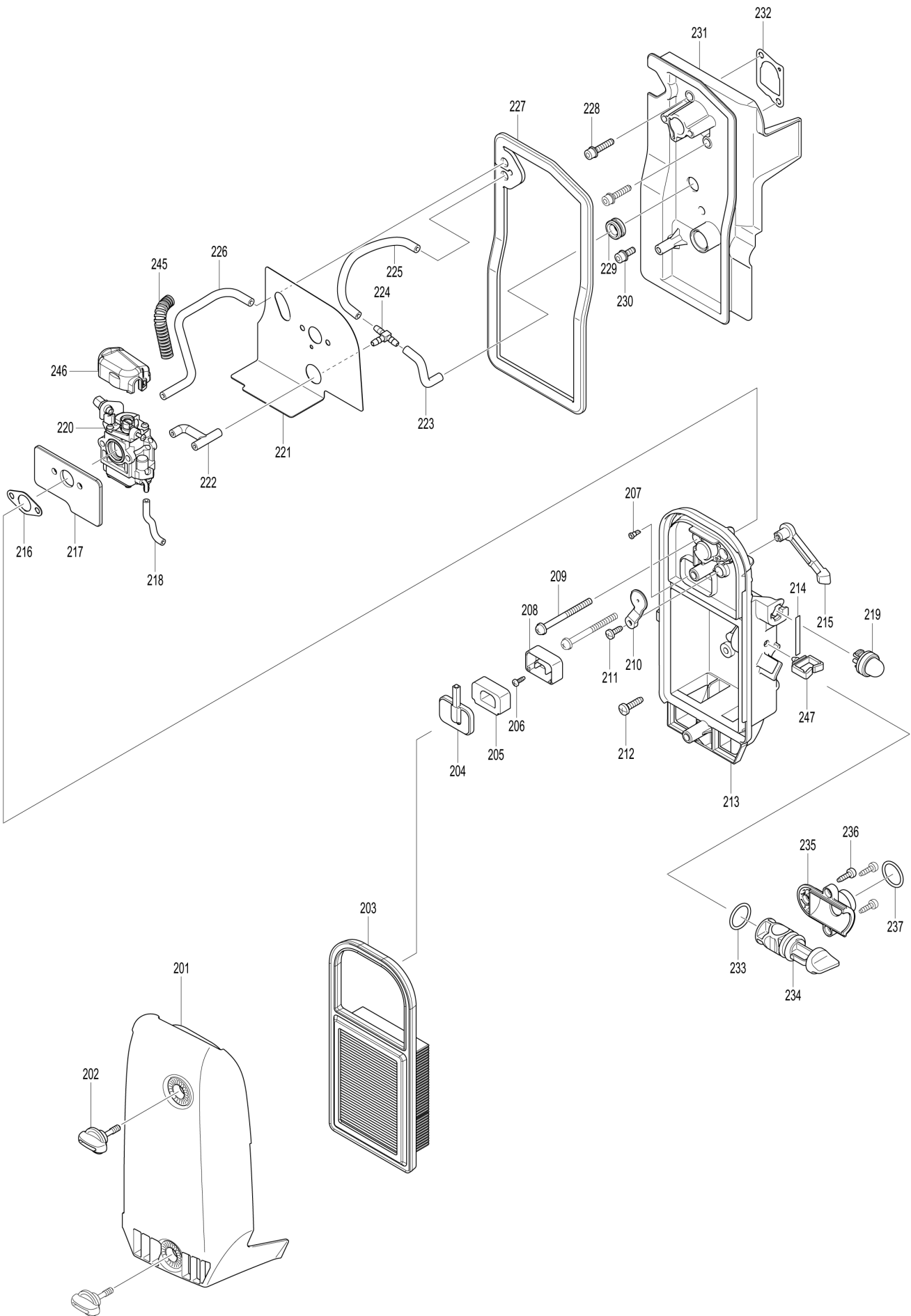
(VN) EB7660TH / PETROL BLOWER



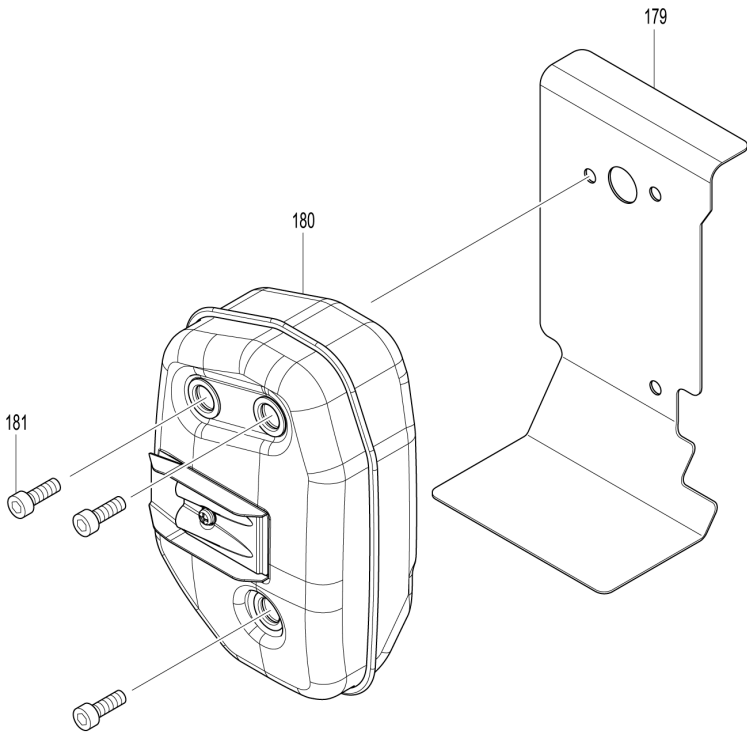
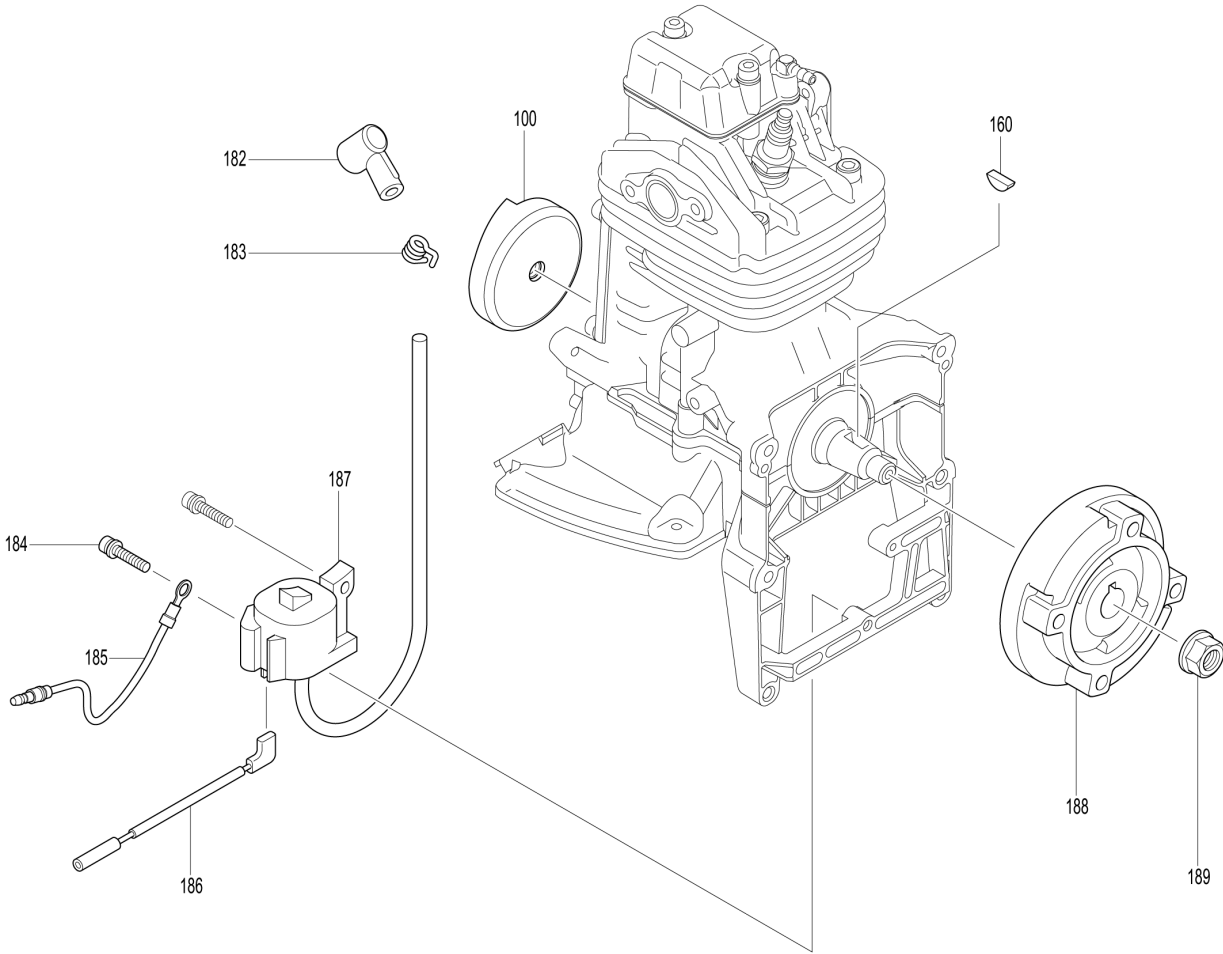
(VN) EB7660TH / PETROL BLOWER



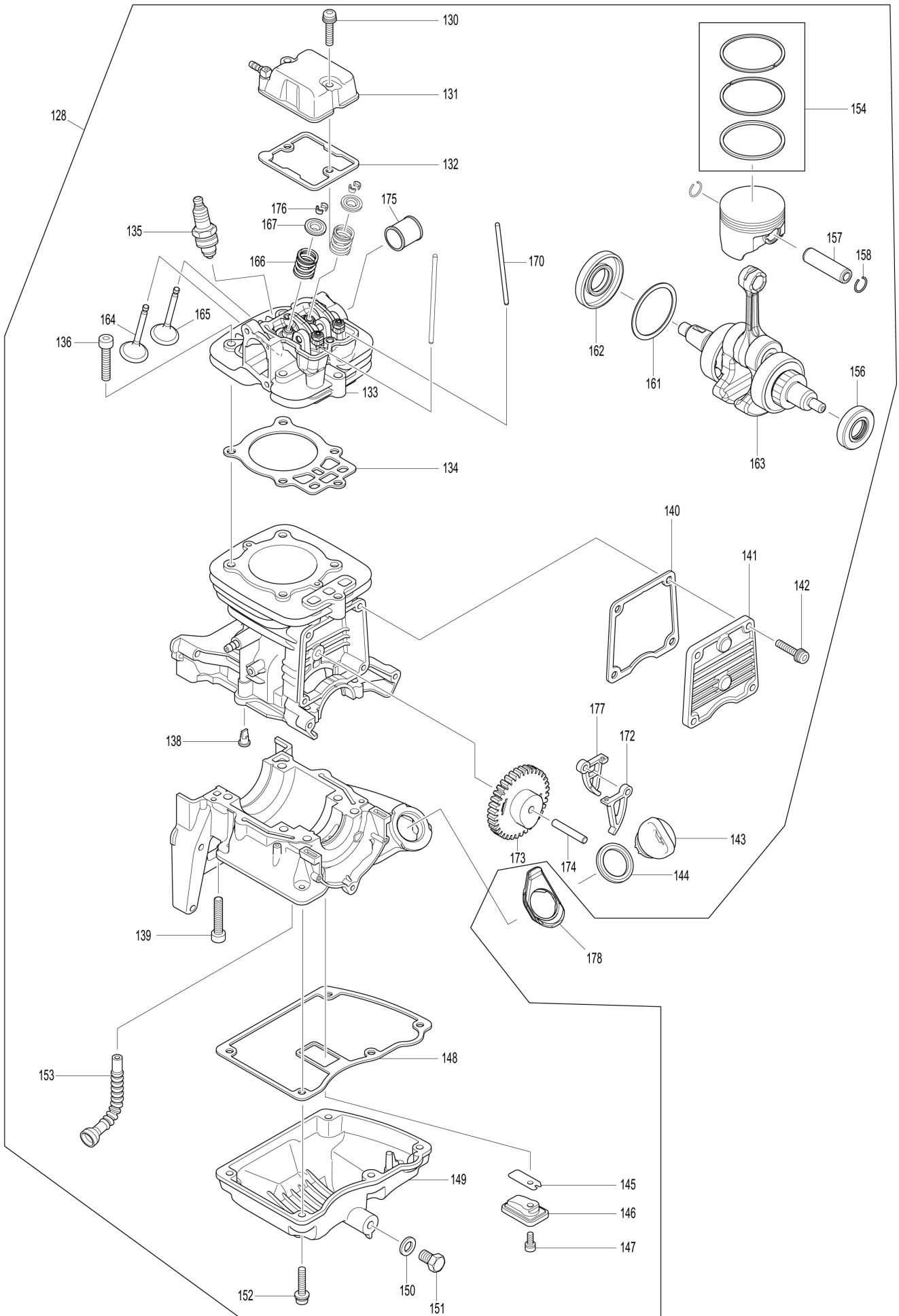
(VN) EB7660TH / PETROL BLOWER



(VN) EB7660TH / PETROL BLOWER

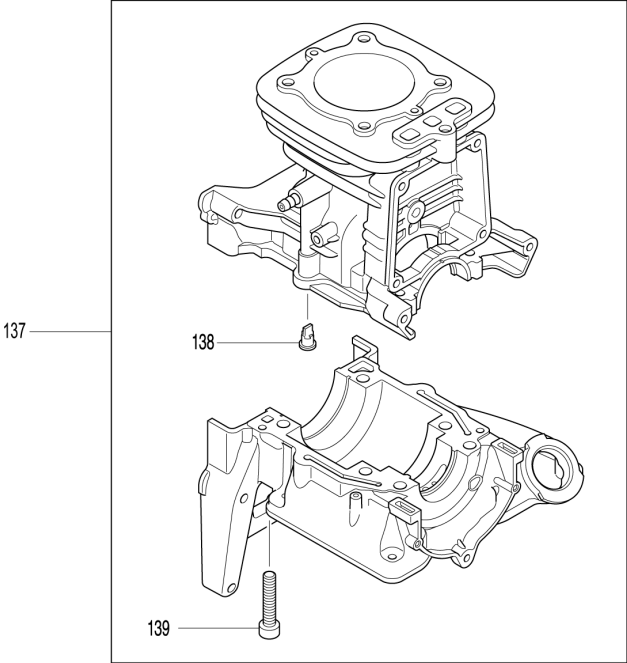
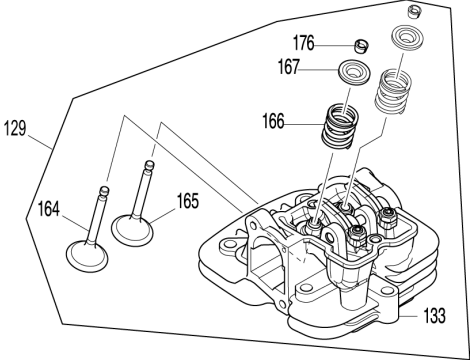
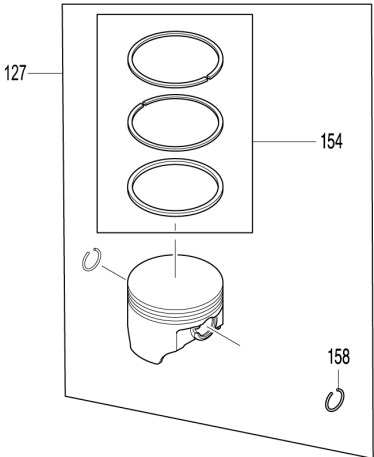


(VN) EB7660TH / PETROL BLOWER

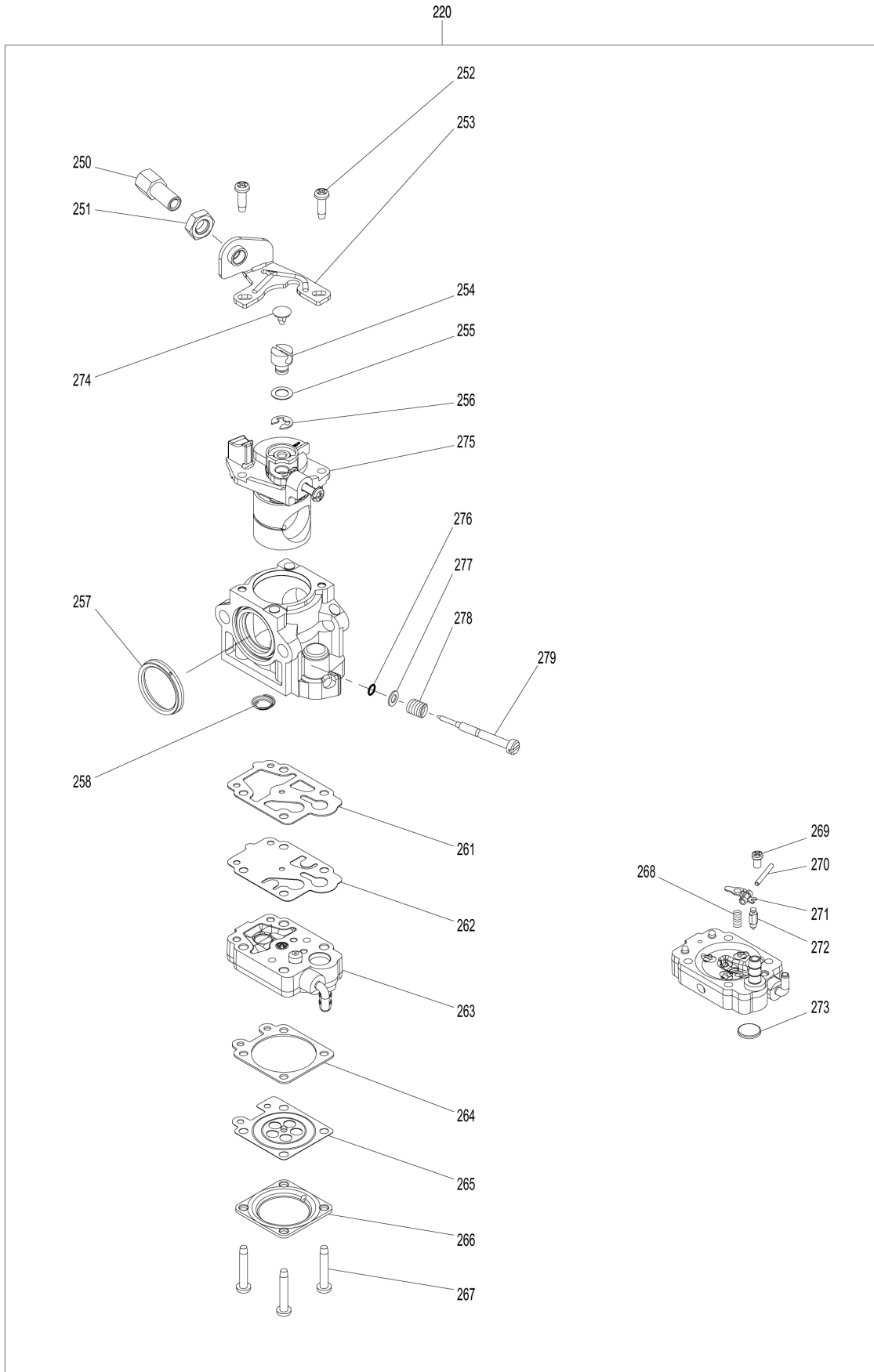




(VN) EB7660TH / PETROL BLOWER



(VN) EB7660TH / PETROL BLOWER



<b>VN</b>	<b>VIETNAM</b>
-----------	----------------

### EB7660TH / PETROL BLOWER

Item	Sub	Parts No.	Parts Description	Qty	I/C	E/C No.	Close No.	Remark
001		412144-8	ELBOW	1				
002		213645-7	O RING 93	1				
005		803T61-7	CAUTION LABEL	1				
006		814E64-6	SERIAL NO. LABEL	1				
008		456398-7	FRONT VOLUTE CASE	1				
010		922343-9	H.S.H.BOLT M6X25 WITH WR	6				
011		240152-7	FAN 250	1				
012		922343-9	H.S.H.BOLT M6X25 WITH WR	4				
013		456620-2	REAR VOLUTE CASE	1				
014		266420-0	TAPPING SCREW 5X20	11				
015		454903-4	SPRING HOLDER A	2				
016		266420-0	TAPPING SCREW 5X20	2				
017		232304-4	COMPRESSION SPRING 22	2				
018		454904-2	SPRING HOLDER B	2				
019		922223-9	H.S.H.BOLT M5X16 WITH WR	2				
020		454903-4	SPRING HOLDER A	2				
021		266420-0	TAPPING SCREW 5X20	2				
022		232305-2	COMPRESSION SPRING 22	2				
023		454904-2	SPRING HOLDER B	2				
024		922223-9	H.S.H.BOLT M5X16 WITH WR	2				
025		161534-9	BAND L COMPLETE	1			C4954	
025-1		162501-7	BAND L COMPLETE	1	O	C4954		
026		161535-7	BAND R COMPLETE	1			C4954	
026-1		162502-5	BAND R COMPLETE	1	O	C4954		
027		266420-0	TAPPING SCREW 5X20	4				
028		143809-8	ENGINE COVER COMPLETE	1				
	C10	898343-0	CAUTION LABEL	1				
029		424619-5	PLUG COVER	1				
030		424620-0	DAMPER	2				
031		163532-9	FILTER	1				
032		345920-4	HOSE CLAMP	1				
033		126138-4	FUEL TUBE ASSEMBLY	1				
	D10		INC. 34-37					
034		168396-6	BREATHER	1				
035		424505-0	FUEL GROMMET	1				
036		412120-2	FUEL TUBE 3-370	1				
037		412114-7	FUEL TUBE 3-370	1				
038		422137-7	TUBE GUARD 20-102	1				
039		140831-6	TANK CAP COMPLETE	1				
	D10		INC. 41					
041		213831-0	O-RING 29.5	1				
043		898428-2	CAUTION PLATE	1				
044		142427-9	FUEL TANK COMPLETE	1				
045		454905-0	BAND HOLDER	2				
046		454894-9	FRAME	1				
048		922223-9	H.S.H.BOLT M5X16 WITH WR	2				
052		6672500300	LOCK RIVET	4			B8428	
052-1		458158-3	RIVET 6	4	O	B8428		
053		161540-4	CUSHION	1				
054		6672500300	LOCK RIVET	2			B8428	
054-1		458158-3	RIVET 6	2	O	B8428		
055		424678-9	RUBBER RING 25	2				
060		266326-2	TAPPING SCREW 4X18	5				
061		187804-8	LEVER CASE SET	1			Y07329	
	C10	252898-3	INSERT NUT M5-7	1			Y07329	
	D10		INC. 74				Y07329	
061-1		187804-8	LEVER CASE SET	1	O	Y07329	B5566	
	D10		INC. 74			Y07329	B5566	
061-2		187804-8	LEVER CASE SET	1	O	B5566		
	D10		INC. 74			B5566		
062		638642-6	SWITCH UNIT	1				
063		632C07-2	LEAD UNIT	1				
064		456895-3	CORRUGATE TUBE	1				
065		231469-9	COMPRESSION SPRING 4	1				
066		454899-9	THROTTLE LEVER A	1				

Interchange  
O : Yes  
X : No  
< : the new part can be substituted for the current.  
> : the current part can be substituted for the new.  
S : Interchangeable as a set.

<b>VN</b>	<b>VIETNAM</b>
-----------	----------------

### EB7660TH / PETROL BLOWER

Item	Sub	Parts No.	Parts Description	Qty	I/C	E/C No.	Close No.	Remark
067		168843-7	CONTROL CABLE	1				
068		252126-6	HEX. LOCK NUT M4-7	1				
069		454924-6	THROTTLE LINK	1				
070		454900-0	THROTTLE LEVER B	1				
071		253903-9	WAVE WASHER 6	1				
072		267010-2	FLAT WASHER 5	1				
073		922132-2	HEX. SOCKET HEAD BOLT M4X18	1				
074		187804-8	LEVER CASE SET	1			Y07329	
	C10	252898-3	INSERT NUT M5-7	1			Y07329	
	D10		INC. 61				Y07329	
074-1		187804-8	LEVER CASE SET	1	O	Y07329	B5566	
	D10		INC. 61			Y07329	B5566	
074-2		187804-8	LEVER CASE SET	1	O	B5566		
	D10		INC. 61			B5566		
075		265762-9	THUMB SCREW M5X30	1				
076		253052-2	FLAT WASHER 12	1				
090		282025-8	HOSE CLAMP 100	1				
091		454934-3	FLEXIBLE PIPE	1				
092		282025-8	HOSE CLAMP 100	1				
093		168832-2	SWIVEL PIPE COMPLETE	1			B6265	
093-1		161653-1	SWIVEL PIPE COMPLETE	1	O	B6265		
094		456400-6	CABLE HOLDER	1				
100		5975500000	PULLEY	1			C0676	
100-1		161599-1	PULLEY	1	O	C0676		
101		911233-1	PAN HEAD SCREW M5X20	3				
102		808X23-4	EB7660TH MODEL NO. LABEL	1				
103		819432-8	CAUTION TAG	1				
127		198209-7	PISTON SET	1				
	D10		INC. 154,158					
128		198211-0	SHORT BLOCK SET	1			C0798	
128-1		199132-9	SHORT BLOCK SET	1	S	C0798		
129		198224-1	CYLINDER HEAD SET	1				
	D10		INC. 133,164-167,176					
130		922253-0	H.S.H.BOLT M5X30 WITH WR	2				
131		141771-1	ROCKER COVER COMPLETE	1			B7986	
131-1		144766-3	ROCKER COVER COMPLETE	1	S	B7986		
132		5971500900	ROCKER COVER GASKET	1				
133		123557-5	CYLINDER HEAD ASSEMBLY	1				
134		442167-2	CYLINDER HEAD GASKET	1				
135		168652-4	SPARK PLUG	1				
136		265566-9	HEX SOCKET HEAD BOLT M6X30	5				
137		198210-2	CYLINDER BLOCK SET	1				
	D10		INC. 138,139					
138		424201-0	CHECK VALVE	2				
139		922352-8	HEX. SOCKET HEAD BOLT M6X30	6				
140		442168-0	CAM GEAR GASKET	1				
141		318725-5	CAM GEAR COVER	1				
142		266813-1	H.S.H.BOLT M5X16 WITH WR	4			B5072	
142-1		922223-9	H.S.H.BOLT M5X16 WITH WR	4	O	B5072		
143		452047-4	OIL CAP	1				
144		424343-0	GASKET	1				
145		346083-9	LEAD VALVE	1				
146		319395-3	RETAINER PLATE	1				
147		0119049980	SOCKET HEAD BOLT M4X10	1			C1654	
147-1		922117-8	HEX. SOCKET HEAD BOLT M4X12	1	O	C1654		
148		5976500100	OIL CASE GASKET	1				
149		319008-6	OIL CASE	1				
150		346452-4	GASKET	1				
151		921412-3	HEX. BOLT M8X12	1				
152		922243-3	HEX. SOCKET HEAD BOLT M5X25	5				
153		5936500600	TUBE,OIL	1				
154		197040-8	PISTON RING SET	1				
156		213091-4	OIL SEAL 17	1				
157		326039-8	PISTON PIN	1				
158		233995-4	RING SPRING 12	2				

Interchange  
O : Yes  
X : No  
< : the new part can be substituted for the current.  
> : the current part can be substituted for the new.  
S : Interchangeable as a set.

<b>VN</b>	<b>VIETNAM</b>
-----------	----------------

### EB7660TH / PETROL BLOWER

Item	Sub	Parts No.	Parts Description	Qty	I/C	E/C No.	Close No.	Remark
160		254001-2	WOODRUFF KEY 4	1				
161		267448-1	FLAT WASHER 41	1				
162		213090-6	OIL SEAL(L)	1				
163		143972-7	CRANK SHAFT COMPLETE	1			D0057	
163-1		127539-9	CRANKSHAFT ASSEMBLY	1	O	D0057		
164		326691-2	INTAKE VALVE	1				
165		326692-0	EXHAUST VALVE	1				
166		234212-5	COMPRESSION SPRING 11	2				
167		331966-6	RETAINER	2				
170		256526-2	PUSH ROD	2				
172		310715-4	CAM LIFTER L	1				
173		5973002002	CAMGEAR ASSY	1			B8173	
173-1		126622-9	CAMGEAR ASSEMBLY	1	<	B8173		
174		256200-2	PIN 5	1				
175		331937-3	EXHAUST PORT SPACER	1				
176		331967-4	COTTER	4				
177		313267-4	CAM LIFTER R	1				
178		424621-8	OIL GUARD	1				
179		346979-4	MUFFLER GASKET	1				
180		161408-4	MUFFLER	1				
	C10	911108-4	PAN HEAD SCREW M4X8	1				
181		266771-1	SOCKET HEAD BOLT M6X18	3				
182		424105-6	PLUG CAP	1				
183		324891-8	PLUG CAP SPRING	1				
184		0119049970	SOCKET HEAD BOLT M4X20	2			C1786	
184-1		922138-0	H.S.H.BOLT M4X20 WITH WR	2	O	C1786		
185		632G44-0	LEAD UNIT	1				
186		638710-5	LEAD WIRE	1				
187		5977001010	IGNITION COIL	1			B9550	
187-1		161837-1	IGNITION COIL	1	O	B9550		
188		5977001020	FLYWHEEL COMPL	1			C4699	
188-1		319170-7	FLYWHEEL	1	<	C4699		
189		264054-3	FLANGE NUT M10	1				
190		126165-1	RECOIL	1				
	D10		INC. 191-200					
191		266585-8	TAPPING SCREW 5X12	1				
192		424516-5	COLLAR	1				
193		326200-7	SWING ARM	2				
194		234257-3	FRICTION SPRING	1				
195		441075-4	REEL	1				
196		232262-4	SPIRAL SPRING	1			Y07731	
196-1		SG00000014	SPIRAL SPRING	1	O	Y07731		
197		141649-8	STARTER CASE COMPLETE	1				
198		444043-6	STARTER ROPE	1				
199		424361-8	STARTER KNOB	1				
200		424360-0	ROPE STOPPER	1				
201		456618-9	AIR CLEANER COVER	1				
202		251481-3	THUMB SCREW M5X20	2				
203		424809-0	AIR CLEANER ELEMENT	1			D6115	
203-1		424809-0	AIR CLEANER ELEMENT	1	O	D6115		
204		162346-3	SEPARATOR PLATE	1				
205		352020-3	SEPARATOR MESH	1				
206		266404-8	TAPPING SCREW BIND 3X14	1				
207		424316-3	CHECK VALVE	2				
208		453865-3	SEPARATOR CASE	1				
209		251486-3	PAN HEAD SCREW M5X55 WITH WR	2				
210		454910-7	CHOKE PLATE	1				
211		266192-7	TAPPING SCREW 4X14	1				
212		266420-0	TAPPING SCREW 5X20	1				
213		456399-5	AIR CLEANER CASE	1				
214		851W17-2	SERIAL NO. LABEL	1				
215		454902-6	CHOKE LEVER	1				
216		5233504200	CARBURETOR GASKET	1				
217		346991-4	PLATE 31	1				
218		412112-1	TUBE 3-60	1				

Interchange  
O : Yes  
X : No  
< : the new part can be substituted for the current.  
> : the current part can be substituted for the new.  
S : Interchangeable as a set.

<b>VN</b>	<b>VIETNAM</b>
-----------	----------------

### EB7660TH / PETROL BLOWER

Item	Sub	Parts No.	Parts Description	Qty	I/C	E/C No.	Close No.	Remark
219		168398-2	PRIMER PUMP	1				
220		161542-0	CARBURETOR	1				
	D10		INC. 250-258,261-279					
221		424830-9	CARBURETOR GASKET	1				
222		424823-6	PIPE	1				
223		422127-0	TUBE 3-55	1				
224		452952-5	HOSE JOINT	1				
225		412121-0	TUBE 3-130	1				
226		422126-2	TUBE 3-160	1			B7986	
226-1		422222-6	TUBE 3-190	1	S	B7986		
227		424831-7	INSULATOR SEAL	1				
228		266749-4	HEX. S.H.B. M5X25 WITH WR	2				
229		424623-4	GROMMET	1				
230		0119059490	SOCKET HEAD BOLT M5X14 (W,SW)	1				
231		142926-1	INSULATOR COMPLETE	1				
232		161583-6	INSULATOR GASKET	1				
233		213261-5	O RING 17	1				
234		454911-5	ICING VALVE	1				
235		454912-3	ICING VALVE COVER	1				
236		266192-7	TAPPING SCREW 4X14	3				
237		213261-5	O RING 17	1				
241		687055-8	STRAIN RELIEF	1				
242		266192-7	TAPPING SCREW 4X14	1				
243		687055-8	STRAIN RELIEF	1				
244		266192-7	TAPPING SCREW 4X14	1				
245		457060-7	CORRUGATE TUBE	1		B3107		
246		456401-4	CARBURETOR COVER	1				
247		451825-9	CLAMP	1				
250		266795-7	ADJUST SCREW	1				
251		264065-8	CABLE ADJUST NUT M6	1				
252		266704-6	PAN HEAD SCREW M3X10	2				
253		346491-4	BRACKET CABLE	1				
254		325922-6	SWIVEL	1				
255		413140-9	WASHER	1				
256		257964-1	STOP RING E-3	1				
257		424444-4	PACKING RING	1				
258		234183-6	CONICAL COMPRESSION SPRING 5-9	1				
261		442155-9	PUMP GASKET	1				
262		168575-6	PUMP DIAPHRAGM	1			Y07366	
262-1		WJ00009599	PUMP DIAPHRAGM	1	O	Y07366		
263		141672-3	PUMP BODY ASSEMBLY	1				
264		442183-4	METERING DIAPHRAGM GASKET	1				
265		168620-7	METERING DIAPHRAGM	1				
266		WJ00021158	METERING DIAPHRAGM COVER	1				
267		WJ00096325	SCREW	4				
268		WJ00983160	SPRING	1				
269		WJ00096424	SCREW	1				
270		WJ00014477	METERING LEVER PIN	1				
271		WJ00016648	LEVER	1				
272		WJ00008282	INLET NEEDLE VALVE	1				
273		WJ00014070	INLET SCREEN	1				
274		424439-7	PLUG CUP	1				
275		WJ00034839	THROTTLE VALVE ASS'Y	1				
276		WJ00016105	O RING	1				
277		WJ00136152	WASHER	1				
278		WJ00098404	SPRING	1				
279		WJ01023103	NEEDLE-HIGH SPEED	1				
A01		782239-4	BOX WRENCH 16	1				
A02		783019-1	DRIVER	1				
A03		831304-7	ACCESSORY BAG	1				
A04		242072-1	OIL BOTTLE	1				
A05		196911-6	FLAT NOZZLE 90 SET	1				
A06		197722-2	END NOZZLE 90-68 SET	1				
A07		197723-0	LONG PIPE 90 SET	1				

Interchange  
O : Yes  
X : No  
< : the new part can be substituted for the current.  
> : the current part can be substituted for the new.  
S : Interchangeable as a set.