



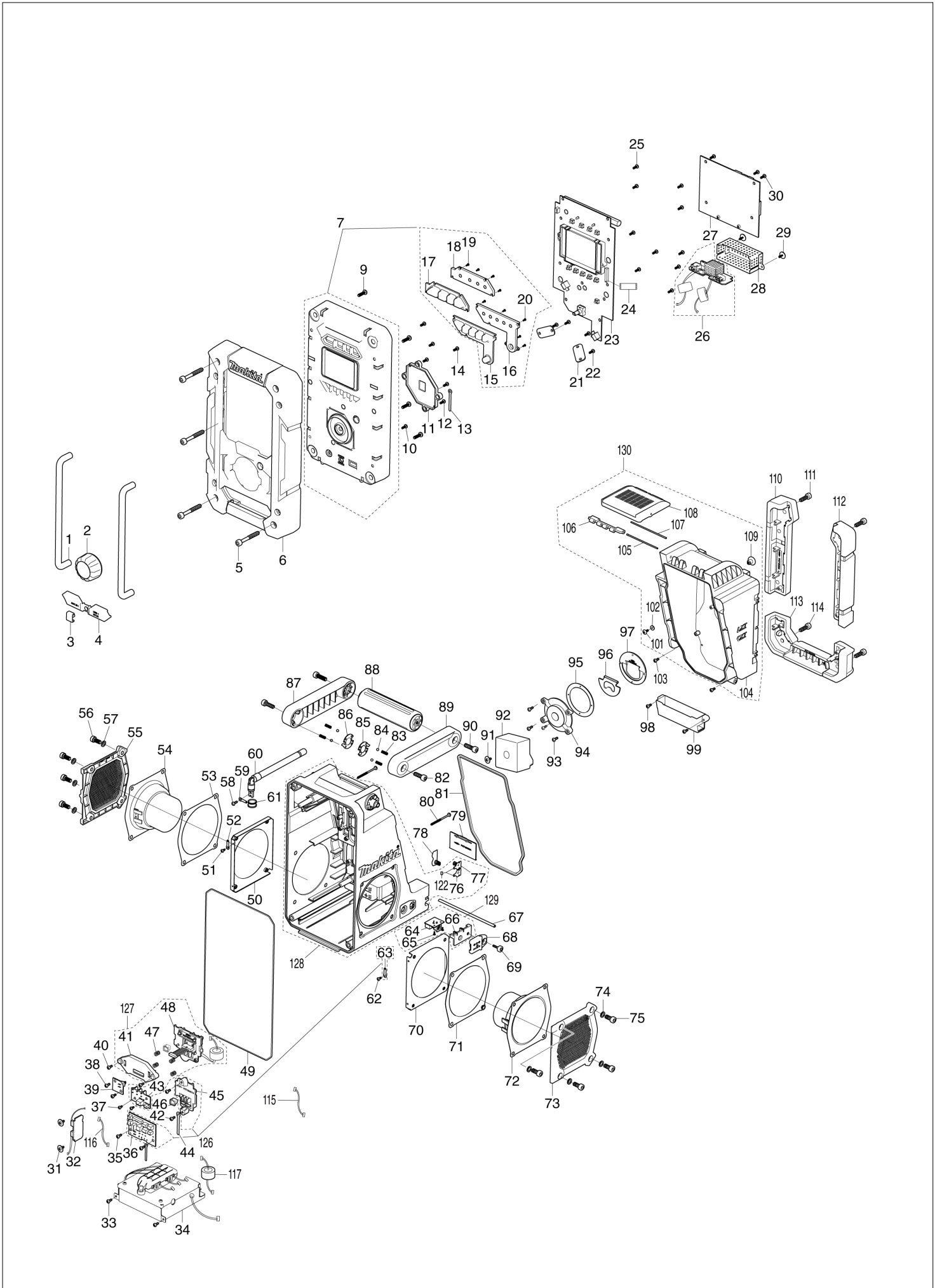
VN	VIETNAM
----	---------

# Diagram / Parts List

**DMR300**

**JOB SITE CHARGER RADIO**

# (VN) DMR300 / JOB SITE CHARGER RADIO



<b>VN</b>	<b>VIETNAM</b>
-----------	----------------

### DMR300 / JOB SITE CHARGER RADIO

Item	Sub	Parts No.	Parts Description	Qty	I/C	E/C No.	Close No.	Remark
001		TC00000001	FRONT BAR	2				
002		TC00000002	VOLUME KNOB	1				
003		TC00000003	USB COVER HOLDER	1				
004		TC00000004	USB COVER	1				
005		TC00000005	SCREW M6X45	4				
006		TC00000006	FRONT CABINET BLUE	1				
007		TC00000162	FRONT INNER CABINET ASSY	1				
	D10		INC. 15-20					
009		TC00000009	SCREW M4X15	4				
010		TC00000011	SCREW M3X8	1				
011		TC00000012	VOLUME HOLDER COVER	1				
012		TC00000011	SCREW M3X8	2				
013		TC00000010	WIRE CLAMP	1				
014		TC00000011	SCREW M3X8	4				
015		TC00000013	MIDDLE KEY	1				
016		TC00000014	MIDDLE KEY HOLDER	1				
017		TC00000016	TOP KEY	1				
018		TC00000017	TOP KEY HOLDER	1				
019		TC00000015	SCREW M1.7X5	4				
020		TC00000015	SCREW M1.7X5	5				
021		TC00000019	COVER PCB	2				
022		TC00000011	SCREW M3X8	4				
023		TC00000020	PCBA-DISPLAY	1				
024		TC00000178	FLAT CABLE	1				
025		TC00000011	SCREW M3X8	10				
026		TC00000163	PCBA-USB1 ASSY	1				
027		TC00000025	PCBA-MAIN B	1				
028		TC00000027	SHIELD	1				
029		TC00000026	SCREW M3X8	2				
030		TC00000011	SCREW M3X8	3				
031		TC00000026	SCREW M3X8	2				
032		TC00000029	PCBA-USB2	1				
033		TC00000011	SCREW M3X8	2				
034		TC00000030	PCBA CHARGING	1				
035		TC00000011	SCREW M3X8	2				
036		TC00000031	PCBA-CXT BATTERY	1				
037		TC00000032	SCREW M2.6X6	2				
038		TC00000011	SCREW M3X8	2				
039		TC00000033	PCBA-SWITCH	1				
040		TC00000011	SCREW M3X8	2				
041		TC00000034	LXT TERMINAL HOLDER BLUE	1				
042		TC00000011	SCREW M3X8	2				
043		TC00000036	PCBA-LXT BATTERY	1				
044		TC00000010	WIRE CLAMP	2				
045		TC00000037	CXT TERMINAL	1				
046		TC00000038	BAT SWITCH BUTTON BLUE	2				
047		TC00000040	LXT SPRING	4				
048		TC00000041	LXT TERMINAL	1				
049		TC00000042	FRONT INNER CABINET RUBBER	1				
050		TC00000045	SPEAKER BRACKET	1				
051		TC00000032	SCREW M2.6X6	1				
052		TC00000046	LEAD UNIT	1			Y08636	
052-1		TC00000186	LEAD UNIT	1	<	Y08636		
053		TC00000047	SPEAKER RUBBER	1				
054		TC00000048	SPEAKER L	1				
055		TC00000049	SPK COVER	1				
056		TC00000050	SCREW M6X14	4				
057		TC00000051	RUBBER RING	4				
058		TC00000052	SCREW M3X10	1				
059		TC00000186	LEAD UNIT	1			Y08636	
059-1		TC00000199	ANTENNA LEAD UNIT	1	<	Y08636		
060		TC00000053	FM ANTENNA	1				
061		TC00000054	RUBBER RING	1				
062		TC00000032	SCREW M2.6X6	1				
063		TC00000046	LEAD UNIT	1			Y08636	

Interchange  
O : Yes  
X : No  
< : the new part can be substituted for the current.  
> : the current part can be substituted for the new.  
S : Interchangeable as a set.

<b>VN</b>	<b>VIETNAM</b>
-----------	----------------

### DMR300 / JOB SITE CHARGER RADIO

Item	Sub	Parts No.	Parts Description	Qty	I/C	E/C No.	Close No.	Remark
063-1		TC00000186	LEAD UNIT	1	<	Y08636		
064		TC00000055	PCBA-DC JACK	1				
065		TC00000015	SCREW M1.7X5	2				
066		TC00000056	DC JACK HOLDER BLUE	1				
067		TC00000058	BACK CABINET SHAFT	1				
068		TC00000059	DC JACK COVER	1				
069		TC00000060	SCREW M3X14	1				
070		TC00000045	SPEAKER BRACKET	1				
071		TC00000047	SPEAKER RUBBER	1				
072		TC00000174	SPEAKER R	1				
073		TC00000049	SPK COVER	1				
074		TC00000051	RUBBER RING	4				
075		TC00000050	SCREW M6X14	4				
076		TC00000061	BATTERY PLUS PLATE	1				
077		TC00000062	BATTERY MINUS PLATE	1				
078		TC00000063	BATTERY MINUS PLUS PLATE	1				
079		TC00000064	BATTERY COVER BLUE	1				
080		TC00000066	HEXA SOCKET SCREW T15 3X45	2				
081		TC00000067	MIDDLE CABINET RUBBER	1				
082		TC00000068	SCREW M6X19	2				
083		TC00000069	COMPRESSION SPRING	4				
084		TC00000070	STEEL BALL	4				
085		TC00000071	HANDLE PLATE R	1				
086		TC00000072	HANDLE PLATE L	1				
087		TC00000073	HANDLE L BLUE	1				
088		TC00000075	GRIP	1				
089		TC00000076	HANDLE R BLUE	1				
090		TC00000078	SCREW M6X20	2				
091		TC00000026	SCREW M3X8	1				
092		TC00000175	BATTERY RUBBER PAD	1				
093		TC00000011	SCREW M3X8	4				
094		TC00000080	BOTTLE OPENER BACK COVER BLUE	1				
095		TC00000082	RUBBER RING	1				
096		TC00000085	BOTTLE OPENER	1				
097		TC00000086	HOLDER	1				
098		TC00000011	SCREW M3X8	2				
099		TC00000087	PHONE POCKET BLUE	1				
101		TC00000089	SCREW M3X8	1				
102		TC00000090	RUBBER RING	1				
103		TC00000011	SCREW M3X8	2				
104		TC00000091	BACK CABINET BLUE	1				
105		TC00000093	SHAFT SHORT	1				
106		TC00000094	HINGE BLUE	1				
107		TC00000096	SHAFT LONG	1				
108		TC00000097	LATCH BLUE	1				
109		TC00000099	HOOK	1				
110		TC00000100	CABINET HOLDER L BLUE	1				
111		TC00000068	SCREW M6X19	2				
112		TC00000102	CABINET HOLDER R BLUE	1				
113		TC00000104	CABINET HOLDER BLUE	1				
114		TC00000068	SCREW M6X19	2				
115		TC00000179	4P WIRE	1				
116		TC00000180	8P WIRE	1				
117		TC00000181	2P/4P WIRE ASSY	1				
122		TC00000169	LEAD UNIT	1				
126		TC00000164	CXT TERMINAL ASSY	1				
	D10		INC 36,45,63					
127		TC00000165	LXT TERMINAL ASSY BLUE	1				
	D10		INC. 41,43,47,48					
128		TC00000168	MIDDLE CABINET ASSY BLUE	1				
	D10		INC. 76,77,122					
129		TC00000172	DC JACK ASSY BLUE	1				
	D10		INC. 64-66					
130		TC00000176	BACK CABINET ASSY BLUE	1				
	D10		INC. 101,102,104-109					

Interchange  
O : Yes  
X : No  
< : the new part can be substituted for the current.  
> : the current part can be substituted for the new.  
S : Interchangeable as a set.

