



VN	VIETNAM
----	---------

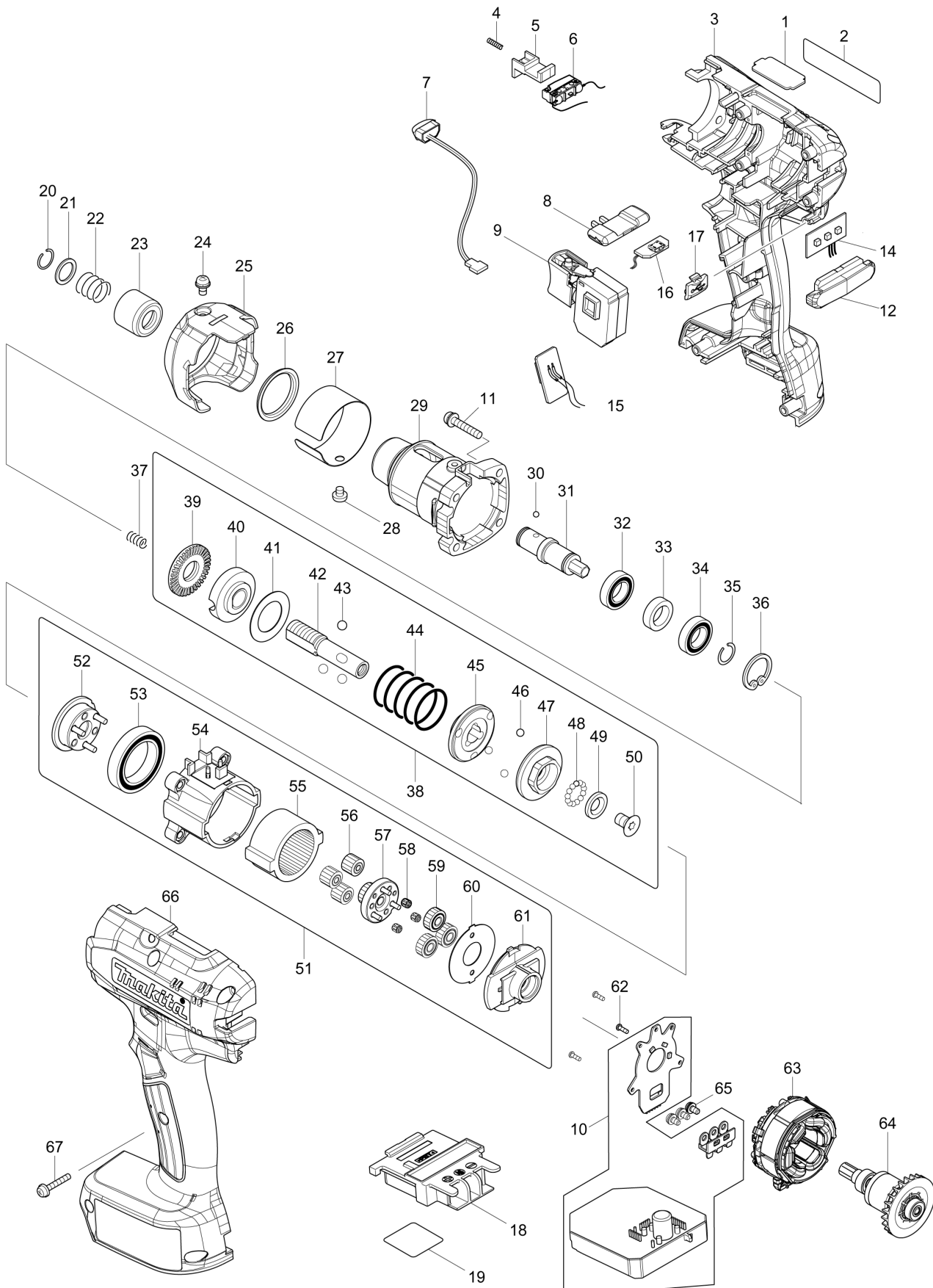
Diagram / Parts List

DFT127F

CORDLESS SCREWDRIVER



(VN) DFT127F / CORDLESS SCREWDRIVER



VN	VIETNAM
-----------	----------------

DFT127F / CORDLESS SCREWDRIVER

Item	Sub	Parts No.	Parts Description	Qty	I/C	E/C No.	Close No.	Remark
001		345345-2	PLATE I	1				
002		853A60-5	DFT127F NAME PLATE	1				
003		183G11-3	HOUSING SET	1				
	C10	263005-3	RUBBER PIN 6	2				
	C20	931002-4	HEX. NUT M3	7				
	D10		INC. 66					
004		233025-1	COMPRESSION SPRING 2	1				
005		418002-6	SWITCH LEVER	1				
006		632K18-5	SWITCH UNIT	1				
007		620521-2	LED CIRCUIT	1				
008		457469-3	F/R CHANGE LEVER	1				
009		651082-1	SWITCH C3JW-1B-S	1				
010		620620-0	CONTROLLER	1			C1940	
010-1		620858-7	CONTROLLER	1	<	C1940		
011		265145-3	+ PAN HEAD SCREW M4X22	4				
012		457484-7	LENS	1				
014		620622-6	LED CIRCUIT	1				
015		620621-8	BUZZER CIRCUIT	1				
016		620623-4	USB CIRCUIT	1				
017		144709-5	USB COVER COMPLETE	1				
018		643850-6	TERMINAL	1				
019		853A63-9	DFT127F SERIAL NO. LABEL	1				
020		231965-7	RING SPRING 10	1				
021		267143-3	FLAT WASHER 11	1				
022		233005-7	COMPRESSION SPRING 13	1				
023		162218-2	SLEEVE	1				
024		265171-2	PAN HEAD SCREW M4X8	1				
025		457470-8	CLUTCH CASE COVER	1				
026		424977-9	RING 25 BRACK	1				
027		345351-7	RING 38I	1				
028		265127-5	+ PAN HEAD SCREW M4X4	1				
029		319568-8	CLUTCH CASE	1				
030		216019-1	STEEL BALL 3	2				
031		324391-8	SPINDLE N	1				
032		211136-2	BALL BEARING 6801LLB	1				
033		257011-8	RING 12	1				
034		211136-2	BALL BEARING 6801LLB	1				
035		231951-8	RING SPRING 11	1				
036		962111-8	RETAINING RING R-21	1				
037		233019-6	COMPRESSION SPRING 5	1				
038		125394-3	CLUTCH ASS'Y G	1			B9348	
	D10		INC. 39-50				B9348	
038-1		125394-3	CLUTCH ASS'Y G	1	O	B9348		
	D10		INC. 39-50			B9348		
039		324834-0	LOCK NUT M12	1				
040		158408-3	ADJUST RING COMPLETE	1				
041		267276-4	FLAT WASHER 18	1				
042		324296-2	SPINDLE	1				
043		216018-3	STEEL BALL 5.0	3				
044		233358-4	COMPRESSION SPRING 19C	1				
045		223146-7	CAM D	1				
046		216024-8	STEEL BALL 4	3				
047		223139-4	CAM A	1				
048		216019-1	STEEL BALL 3	13				
049		267247-1	FLAT WASHER 7	1				
050		266305-0	TORX C.S HEAD SCREW M5X10	1				
051		123934-1	GEAR ASSEMBLY G	1			DB550	
	D10		INC. 52-61				DB550	
051-1		123934-1	GEAR ASSEMBLY G	1	O	DB550		
	D10		INC. 52-61			DB550		
052		144383-9	CARRIER COMPLETE D	1				
053		211375-4	BALL BEARING 6805LLB	1				
054		418004-2	GEAR CASE	1			DB550	
054-1		418004-2	GEAR CASE	1	O	DB550		
055		227048-9	INTERNAL GEAR 47	1				

Interchange
O : Yes
X : No
< : the new part can be substituted for the current.
> : the current part can be substituted for the new.
S : Interchangeable as a set.

