



DFJ202 DFJ203
DFJ300 DFJ301
DFJ400 DFJ401















EN	Cordless Fan Jacket	Instruction manual
ESMX	Chamarra Ventilada Inalámbrica	Manual de instrucciones
PTBR	Jaqueta Ventilada a Bateria	Manual de Instruções
ZHCN	充电式风扇夹克	使用说明书 (保留备用。)
ZHTW	充電式風扇外套	使用說明書



ENGLISH (Original instructions)

SYMBOLS

The following show the symbols used for the equipment. Be sure that you understand their meaning before use.

	Read instructions.
	Machine wash below 30°C at mild process.
 / 	Machine wash below 40°C at mild process.
	Machine wash with domestic or commercial machine at normal setting.
 / 	Do not bleach.
 / 	Line dry in the shade.
	Do not wring.
	Iron at a low temperature (not exceeding 110°C).
	Iron at a medium temperature (not exceeding 150°C).
	Do not iron.
	Do not dryclean.

SAFETY INSTRUCTIONS

WARNING:

Read all safety warnings and all instructions. Failure to follow the warnings and instructions may result in electric shock, fire and/or serious injury.

- Do not use the jacket other than its intended use.
- If you sense anything unusual, switch off the jacket and remove the battery holder immediately.
- Do not wear the jacket with bare skin.
- Never use the fan jacket where temperature reaches more than 50°C (122°F). Otherwise it may

cause burns on your skin. Also avoid using in high humidity.

- Do not stamp, toss or abuse the fan jacket.
- Avoid water from electrical parts.
- Never sleep while wearing the fan jacket. Steep decline of body temperature may harm your health.
- Do not turn on the fan jacket unless you are wearing it.
- Do not put your finger into the fan unit. Especially, pay attention to children not to play with the fan jacket.
- Children, handicapped persons, or anyone who are insensitive to temperature, for example a person with poor blood circulation, shall refrain from using the jacket.
- If any abnormality is found, contact your local service center for repair.
- Keep maintenance labels and nameplate. If they become unreadable or missing, contact your local service center for repair.
- Choose appropriate fan speed in accordance with the usage environment for continuous use.
- This appliance can be used by children aged from 8 years and above and persons with reduced physical, sensory or mental capabilities or lack of experience and knowledge if

- they have been given supervision or instruction concerning use of the appliance in a safe way and understand the hazards involved. Children shall not play with the appliance. Cleaning and user maintenance shall not be made by children without supervision.
- Before washing, detach the fan unit, battery holder and remove the battery cartridge. Wash the jacket part only.
 - Do not blow compressed air towards the fan. Do not put small stick into the fan unit. Otherwise the fan and motor may be damaged.
 - Do not expose the jacket to rain or wet conditions. Water entering the jacket may increase the risk of electric shock.
 - Do not abuse the cord. Never use the cord for carrying, pulling or unplugging the jacket. Keep cord away from heat, oil, sharp edges.
 - Do not use the jacket while you are under the influence of drugs, alcohol or medication.
 - Do not leave the fan jacket into the high temperature place, such as sun-heated car. Otherwise plastic part may melt and be damaged.
 - For long time storage, remove the battery holder and battery cartridge from the jacket, and

remove the battery cartridge from the battery holder.

- This appliance is not intended for medical use in hospitals.

Electrical safety

1. Do not insert a nail, wire, etc. into USB power supply port. Otherwise a circuit short may cause smoke and fire.
2. Do not connect power source to USB port. Otherwise there is risk of fire. The USB port is only intended for charging lower voltage device. Always place the cover onto the USB port when not charging the lower voltage device.

Important safety instructions for battery cartridge

⚠ CAUTION:

Only use genuine Makita batteries. Use of non-genuine Makita batteries, or batteries that have been altered, may result in the battery bursting causing fires, personal injury and damage. It will also void the Makita warranty for the Makita tool and charger.

- Recharge only with the charger specified by the manufacturer. A charger that is suitable for one type of battery pack may create a risk of fire when used with another battery pack.
- Use the jacket only with specifically designated battery

- packs. Use of any other battery packs may create a risk of injury and fire.
- Before using battery cartridge, read all instructions and cautionary markings on (1) battery charger, (2) battery, and (3) product using battery.
 - Do not disassemble battery cartridge.
 - If operating time has become excessively shorter, stop operating immediately. It may result in a risk of overheating, possible burns and even an explosion.
 - Under abusive conditions, liquid may be ejected from the battery; avoid contact. If electrolyte gets into your eyes, rinse them out with clear water and seek medical attention right away. It may result in loss of your eyesight.
 - Do not short the battery cartridge:
 1. Do not touch the terminals with any conductive material.
 2. Avoid storing battery cartridge in a container with other metal objects such as nails, coins, etc.
 3. Do not expose battery cartridge to water or rain. A battery short can cause a large current flow, overheating, possible burns and even a breakdown.
 - Do not store the jacket, battery holder and battery cartridge in locations where the temperature may reach or exceed 50°C (122°F).
 - Do not incinerate the battery cartridge even if it is severely damaged or is completely worn out. The battery cartridge can explode in a fire.
 - Be careful not to drop or strike battery.
 - Do not use a damaged battery.
 - Follow your local regulations relating to disposal of battery.
 - The contained lithium-ion batteries are subject to the Dangerous Goods Legislation requirements.

For commercial transports e.g. by third parties, forwarding agents, special requirement on packaging and labeling must be observed.

For preparation of the item being shipped, consulting an expert for hazardous material is required. Please also observe possibly more detailed national regulations.

Tape or mask off open contacts and pack up the battery in such a manner that it cannot move around in the packaging.

Tips for maintaining maximum battery life

- Never recharge a fully charged battery cartridge. Overcharging shortens the battery service life.
- Charge the battery cartridge with room temperature at 10°C - 40°C (50°F - 104°F).
- Let a hot battery cartridge cool down before charging it.
- Charge the battery cartridge if you do not use it for a long period (more than six months).
- For an optimum life-time, the battery cartridge has to be fully charged, after use.

SAVE THESE INSTRUCTIONS.

(See the last part of this instruction manual for all the illustrations.)

DESIGNATION OF PARTS (Fig. 1 & 2)

DFJ202, DFJ203, DFJ300, DFJ301 (Fig. 1)

- (1) Loop for name badge
 - (2) Loop for arm badge
 - (3) Sleeve holder
 - (4) Battery pocket
 - (5) Fan hook
 - (6) Snap button
 - (7) Fan unit
 - (8) Power cable
- For DFJ203 and DFJ301 only
- (9) Anti-slip rubber
 - (10) Hood

DFJ400, DFJ401 (Fig. 2)

- (1) Loop for name badge
 - (2) Loop for arm badge
 - (3) Sleeve holder
 - (4) Battery pocket
 - (5) Fan hook
 - (6) Snap button
 - (7) Fan unit
 - (8) Power cable
 - (11) Shoulder pad
 - (12) Mesh pocket for ice pack
- For DFJ401 only
- (9) Anti-slip rubber
 - (10) Hood

SPECIFICATIONS

Power (All models)

USB power supply port	DC 5V, 2.1A, Type A
Rated voltage (V)	DC 10.8V - 12V max DC 14.4V DC 18V
Battery cartridge	10.8V BL1016, BL1021B, BL1041B 14.4V BL1430B, BL1430, BL1460B 18V BL1815N, BL1820B, BL1830, BL1830B, BL1840B, BL1850B, BL1860B

Operating time (approximate hour)

Air speed	with BL1041B	with BL1460B	with BL1860B
1	16 hours	21 hours	34 hours
2	11 hours	16 hours	25 hours
3	6.0 hours	8.5 hours	14 hours

NOTE:

BL1460B battery is not available in some countries.

Material

DFJ202	Outer material: Polyester (100%)
DFJ203	Inner material: Polyester (100%) Pocket: Cotton (100%)
DFJ300	Outer material: Cotton (100%)
DFJ301	Inner material: Polyester (100%) Pocket: Cotton (100%)
DFJ400	Outer material: Polyester (100%) + titanium pearly coating
DFJ401	Inner material: Polyester (100%) Pocket: Cotton (100%) Shoulder pad: Polyester (65%)+Cotton (35%)

- Due to our continuing program of research and development, the specifications herein are subject to change without notice.
- Specifications and battery cartridge may differ from country to country.
- Operating time may differ depending on battery type, charging status, and usage condition.

ASSEMBLY

Installing or removing the battery cartridge to the battery holder (Fig. 3)

⚠ CAUTION:

- **Hold the battery holder and the battery cartridge firmly when installing or removing battery cartridge. Failure to hold the battery holder and the battery cartridge firmly may cause them to slip off**

your hands and result in damage to the battery holder and battery cartridge and a personal injury.

To install the battery cartridge (15), align the tongue on the battery cartridge with the groove in the battery holder and slip it into place. Insert it all the way until it locks in place with a little click. If you can see the red indicator (13) on the upper side of the button, it is not locked completely. Always install the battery cartridge fully until the red indicator cannot be seen. If not, it may accidentally fall out of the battery holder, causing injury to you or someone around you.

Do not install the battery cartridge forcibly. If the cartridge does not slide in easily, it is not being inserted correctly. To remove the battery cartridge, slide it from the battery holder while sliding the button (14) on the front of the cartridge.

Installing or removing the fan unit to the jacket (Fig. 4, 5 & 6)

Attach the fan hook to the fan unit and pass it through the jacket so that the fan hook can hold your belt. The fan hook is useful for more comfortable mobility.

Attach the fan unit onto the jacket with closing the zipper. And then fasten the snap button to secure it.

Follow the installation procedure in reverse when removing.

Attaching the battery holder (Fig. 7 & 8)

Connect the battery holder and the power cable of the jacket.

You can hang the battery holder on your waist belt.

For 18V and 14.4V battery holders

The battery holder employs anti-drop function.

When removing the battery holder from the belt, pull up the battery holder with the unlock button (16) pressed.

Attaching filter set (optional accessory) (Fig. 9)

The filter set protects the fan unit from the dust and powder. It is recommended to use the filter set in a dusty or powdery work place.

Attach the sponge filter (17) to the fan unit, and then put the filter (18) on it. Follow the installation procedure in reverse when removing.

FUNCTIONAL DESCRIPTION

⚠ CAUTION:

- **The fan jacket takes effect as intaking air which temperature and humidity are lower than body surface. The fan jacket may not take effect if circumstance air temperature and/or humidity are higher than those of in the jacket.**

Switch action (Fig. 10)

To turn on the jacket, press and hold the power button (21). The jacket starts with high air speed. Each time you tap the power button, the air speed changes from high to medium, medium to low, and low to high. The air speed indicator (20) shows current air speed.

To turn off, press and hold the power button again.

Turbo button (Fig. 10)

By pressing turbo button (19), the jacket works in turbo mode for quick cooling. The turbo mode lasts for a minute and the air speed returns to normal.

Air flow control (Fig. 11, 12, 13 & 14)

To maintain stable air flow, close the button at the neck of the jacket. (Fig. 11)

You can control the air flowing inside the jacket by fastening or opening the inner zippers.

When fastening the inner zippers (Fig. 12), the most of air flows through neck opening with high air volume. When opening the inner zippers (Fig. 13), the air flows through neck and sleeves openings.

For models with hood (Fig. 14)

Wear the hood with the helmet on. The air from the fan goes through the helmet and cools your head.

Battery pocket (Fig. 15)

A pocket is provided for storing the battery holder (with battery) inside the jacket. Connect the power cable with the battery holder, and then put it into the pocket. The 10.8V battery holder is suitable for this pocket.

Connecting USB devices (Fig.16)

⚠ CAUTION:

- **Connect only devices which are compatible with the USB power supply port. Otherwise it may cause malfunction to the battery holder.**

The battery holder (with the battery) can work as an external power supply for USB devices.

Open the cover and connect the USB cable (not included) with the power supply port (22) of the battery holder. And then connect the other end of the cable with the device and turn on the switch (23) next to the USB port.

The battery holder (with the battery) supplies DC5V, 2.1A. The USB cable can be placed inside the jacket for convenience by using the hole of the pocket and cable holder.

NOTE:

- Before connecting USB device to the battery holder (with the battery), always backup your data of USB device. Otherwise your data may be lost by any possibility.
- The charger may not supply power to some USB devices.
- When not using or after charging, remove the USB cable and close the cover.
- The battery power is consumed while the switch next to the USB port is turned on. Always turn off the switch when not in use.

MAINTENANCE

⚠ CAUTION:

- **Always be sure that the jacket is switched off and the battery cartridge is removed before attempting to perform inspection or maintenance.**
If jacket does not switch on or any fault is found with a fully charged battery cartridge, clean the terminals of the battery holder and the battery cartridge. If jacket still does not work properly, stop

using the jacket and contact our authorized service center.

- **Never use gasoline, benzine, thinner, alcohol or the like. Discoloration, deformation or cracks may result.**

Cleaning the jacket

Detach the fan unit and battery holder from the jacket before washing. Follow the instructions on the care label.

For DFJ400 and DFJ401

Use a laundry net when machine-washing.

OPTIONAL ACCESSORIES

⚠ CAUTION:

- **These accessories or attachments are recommended for use with your Makita tool specified in this manual. The use of any other accessories or attachments might present a risk of injury to persons. Only use accessory or attachment for its stated purpose.**

If you need any assistance for more details regarding these accessories, ask your local Makita Service Center.

- Filter set
- Makita genuine battery and charger

NOTE:

- Some items in the list may be included in the package as standard accessories. They may differ from country to country.

ESPAÑOL (Instrucciones originales)

SÍMBOLOS

A continuación se muestran los símbolos utilizados con este equipo.

Asegúrese que entiende su significado antes de usar.

	Lea las instrucciones.
	Lavar en lavadora en ciclo ligero y por debajo de 30°C.
 / 	Lavar en lavadora en ciclo ligero y por debajo de 40°C.
	Lavar en lavadora doméstica o comercial bajo ajuste normal.
 / 	No usar blanqueador.
 / 	Colgar bajo la sombra para secar.
	No exprimir.
	Planchar a temperatura baja (sin exceder los 110°C)
	Planchar a temperatura media (sin exceder los 150°C)
	No planchar.
	No llevar a la tintorería.

INSTRUCCIONES DE SEGURIDAD

ADVERTENCIA:

Lea todas las advertencias de seguridad, al igual que todas las instrucciones. No seguir todas las advertencias e instrucciones que se presentan a continuación puede que resulte en descarga eléctrica, incendio y/o lesión grave.

- No use la chamarra para otros fines para los cuales fue diseñada.
- Si siente algo inusual, apague la chamarra y quite el portabatería inmediatamente.

- No se ponga la chamarra directamente sobre el torso descubierto.
- Nunca use la chamarra ventilada donde la temperatura alcance más de los 50°C (122°F). De lo contrario, puede que se produzcan quemaduras sobre su piel. También evite usar cuando la humedad sea alta.
- No azote, arroje ni maltrate la chamarra ventilada.
- Evite el contacto de las partes eléctricas con el agua.
- Nunca duermas mientras tenga la chamarra puesta. Una reducción pronunciada de la temperatura corporal puede ser dañino para su salud.
- No encienda la chamarra ventilada salvo que la esté usando.
- No coloque el dedo dentro de la unidad del ventilador. Especialmente, ponga atención para que los niños no jueguen con la chamarra ventilada.
- Los niños, las personas con alguna discapacidad física, o quien tenga alguna insensibilidad a la temperatura, por ejemplo aquellos con una deficiencia en la circulación sanguínea, deberán abstenerse de usar esta chamarra.
- Si se detecta alguna anomalía, acuda a su centro local de servicio para reparaciones.

- Conserve las etiquetas de mantenimiento y la placa de especificaciones. Si se tornan ilegibles o se extravían, acuda a su centro local de servicio para reparaciones.
- Elija los ajustes apropiados de velocidad del ventilador en función del entorno de utilización para las condiciones de uso.
- Este equipo puede ser utilizado por niños de 8 años de edad o mayores, así como por personas con alguna discapacidad física, sensorial o mental, o que carezcan de experiencia y conocimiento si cuentan con la supervisión e instrucción adecuadas respecto al uso del equipo en una forma segura y que entiendan los peligros involucrados. Los niños no deberán jugar con el equipo. La limpieza y mantenimiento por el usuario no deberá ser realizada por niños sin supervisión.
- Desprenda la unidad del ventilador, el portabatería y quite el cartucho de batería antes de lavar la chamarra. Lave solamente la parte que conforma la chamarra.
- No aplique aire comprimido hacia la chamarra. No introduzca algún palillo dentro de la unidad del ventilador. De lo contrario puede que el ventilador y el motor se dañen.
- No exponga la chamarra a la lluvia ni a condiciones húmedas. El agua que se introduzca a la chamarra puede que incremente el riesgo de descarga eléctrica.
- No tense el cable. Nunca cargue, jale o desenchufe la chamarra mediante el cable. Mantenga el cable alejado del calor, aceite y bordes filosos.
- No utilice la chamarra mientras esté bajo la influencia de drogas, alcohol o medicamentos.
- No deje la chamarra ventilada en un lugar que presente temperaturas elevadas, como dentro de un automóvil encerrado y bajo el sol. De lo contrario puede que la parte de plástico se derrita dañándose.
- Para un almacenamiento de largo plazo, quite el portabatería y el cartucho de batería de la chamarra, y retire el cartucho de batería del portabatería.
- Este equipo no está diseñado para uso médico en hospitales.

Seguridad eléctrica

1. No inserte ningún clavo, alambre u objeto similar dentro del puerto USB de alimentación eléctrica. De lo

- contrario puede que un corto circuito genere humo y fuego.
2. No conecte la fuente de alimentación eléctrica al puerto USB. De lo contrario, se corre el riesgo de incendio. El puerto USB esta solamente diseñado para recargar un dispositivo de bajo voltaje. Coloque siempre la cubierta del puerto USB mientras no se encuentre recargando un dispositivo de bajo voltaje.

Instrucciones de seguridad importantes para el cartucho de batería

⚠ PRECAUCIÓN:

Use solamente con baterías originales de Makita. El uso de baterías no originales de Makita, o baterías que han sido alteradas, puede que resulte en que la batería se reviente causando incendios, lesiones al usuario o daños. También anulará la garantía de Makita para la herramienta y el cargador de Makita.

- Recargue solamente con el cargador especificado por el fabricante. Un cargador que sea adecuado para un tipo de cartucho de batería específico puede generar un riesgo de incendio al usarse con otro cartucho de batería.
- Use la chamarra solamente con el cartucho de batería específicamente designado. El uso de cualquier otro cartucho de batería puede generar riesgo de lesión e incendio.
- Antes de utilizar el cartucho de batería, lea todas las instrucciones e indicaciones de precaución sobre (1) el cargador de batería, (2) la batería, y (3) el producto con el que se utiliza la batería.
- No desarme el cartucho de batería.
- Si el tiempo de uso del cartucho de batería se acorta demasiado, deje de usarlo inmediatamente. Podría resultar en un riesgo de sobrecalentamiento, posibles quemaduras e incluso una explosión.
- Puede que en condiciones hostiles haya fuga de líquido de la batería; evite el contacto. En caso de que ingresen electrolitos en sus ojos, enjuáguelos bien con agua limpia y acuda a un médico de inmediato. Esto podría ocasionar la pérdida de la visión.
- No cierre el circuito entre los terminales del cartucho de batería:
 1. No toque los terminales con ningún material conductor.
 2. Evite guardar el cartucho de batería en algún cajón junto

con cualquier otro objeto metálico, como clavos, monedas, etc.

3. No exponga el cartucho de batería a la lluvia ni a la nieve. Un cortocircuito puede provocar un elevado flujo de corriente, sobrecalentamiento, posibles quemaduras e incluso una avería.
- No guarde la chamarra, el portabatería y el cartucho de batería en lugares donde la temperatura pueda alcanzar o exceder los 50°C (122°F).
 - Nunca incinere el cartucho de batería incluso en el caso de que esté dañado seriamente o ya no sirva en lo absoluto. El cartucho de batería puede explotar si se arroja al fuego.
 - Tenga cuidado de no dejar caer ni golpear el cartucho de batería.
 - No use con una batería dañada.
 - Siga las regulaciones locales relacionadas con el desecho de las baterías.
 - Las baterías con contenido de iones de litio están sujetas a los requisitos de la Legislación de Insumos Peligrosos. Para compañías terceras de transporte comercial, p.ej. servicios de paquetería y agentes de envío, deberán seguirse los requisitos de etiquetado y empaquetado correspondientes.

Para la preparación del artículo a ser enviado, se requiere contar con la asesoría de un experto en manejo de materiales peligrosos. Observe también por favor las posibles regulaciones que apliquen a nivel nacional.

Coloque una barrera o cinta adhesiva en los contactos expuestos y empaque la batería de tal manera que no pueda moverse dentro del paquete.

Consejos para alargar al máximo la vida útil de la batería

- Nunca recargue un cartucho de batería que esté completamente recargado. El sobrecargar acorta la vida útil de la batería.
- Recargue el cartucho de batería a temperatura ambiente a 10°C - 40°C (50°F - 104°F).
- Deje que un cartucho de batería caliente se enfríe antes de recargarlo.
- Recargue el cartucho de batería cuando no se haya usado durante un periodo prolongado (más de seis meses).
- Para un óptimo tiempo de vida útil, el cartucho de batería debe recargarse por completo tras el uso.

CONSERVE ESTAS INSTRUCCIONES.

(Refiérase a la parte final de este manual de instrucciones para todas las ilustraciones).

IDENTIFICACIÓN DE LAS PIEZAS (Figs. 1 y 2)

DFJ202, DFJ203, DFJ300, DFJ301 (Fig. 1)

- (1) Cinta para insignia de nombre
 - (2) Cinta para insignia del brazo
 - (3) Portamanga
 - (4) Bolsillo de batería
 - (5) Gancho del ventilador
 - (6) Botón de desprendimiento
 - (7) Unidad del ventilador
 - (8) Cable eléctrico
- Para DFJ203 y DFJ301 solamente
- (9) Hule antiderrapante
 - (10) Capucha

DFJ400, DFJ401 (Fig. 2)

- (1) Cinta para insignia de nombre
 - (2) Cinta para insignia del brazo
 - (3) Portamanga
 - (4) Bolsillo de batería
 - (5) Gancho del ventilador
 - (6) Botón de desprendimiento
 - (7) Unidad del ventilador
 - (8) Cable eléctrico
 - (11) Hombreira
 - (12) Bolsillo de red para bolsa de hielo
- Para DFJ401 solamente
- (9) Hule antiderrapante
 - (10) Capucha

ESPECIFICACIONES

Alimentación (todos los modelos)

Puerto USB de alimentación eléctrica	CC 5V, 2,1A, Tipo A
Voltaje nominal (V)	CC 10,8V - 12V máx CC 14,4V CC 18V
Cartucho de batería	10,8V BL1016, BL1021B, BL1041B 14,4V BL1430B, BL1430, BL1460B 18V BL1815N, BL1820B, BL1830, BL1830B, BL1840B, BL1850B, BL1860B

Tiempo de operación (horas aproximadas)

Velocidad del aire	con BL1041B	con BL1460B	con BL1860B
1	16 horas	21 horas	34 horas
2	11 horas	16 horas	25 horas
3	6,0 horas	8,5 horas	14 horas

NOTA:

La batería BL1460B no está disponible para algunos países.

Material

DFJ202	Material exterior: Poliéster (100%)
DFJ203	Material interior: Poliéster (100%) Bolsillo Algodón (100%)
DFJ300	Material exterior: Algodón (100%)
DFJ301	Material interior: Poliéster (100%) Bolsillo Algodón (100%)
DFJ400	Material exterior: Poliéster (100%) + titanio con capa nacarada
DFJ401	Material interior: Poliéster (100%) Bolsillo Algodón (100%) Hombreira: Poliéster (65%) + Algodón (35%)

- Debido a nuestro programa continuo de investigación y desarrollo, las especificaciones aquí dadas están sujetas a cambios sin previo aviso.
- Las especificaciones y el cartucho de la batería pueden variar de país a país.
- Puede que el tiempo de operación varíe en función del tipo de batería, estado de recarga y las condiciones de uso.

ENSAMBLE

Instalación y extracción del cartucho de batería en el portabatería (Fig. 3)

⚠ PRECAUCIÓN:

- **Sujete el portabatería y cartucho de batería con firmeza al colocar o extraer el cartucho de batería. No seguir esta indicación puede que resulte en que el cartucho resbale de sus manos y se dañe el portabatería y cartucho de batería, así como ocasionar lesiones personales.**

Para colocar el cartucho de batería (15), alinee la lengüeta sobre el cartucho de batería con la ranura en el portabatería y deslice en su lugar. Inserte por completo hasta que se fije en su lugar con un pequeño clic. Si puede ver el indicador rojo (13) en el lado superior del botón, esto indica que no ha quedado fijo por completo. Introduzca siempre completamente el cartucho de batería hasta que el indicador rojo no pueda verse. De lo contrario, puede que el portabatería se caiga accidentalmente, provocándole lesiones a usted o a alguien que se encuentre alrededor suyo.

No instale el cartucho de batería a la fuerza. Si el cartucho no se desliza al interior fácilmente, se debe a que no está siendo insertado correctamente. Para quitar el cartucho de batería, deslícelo del sujetador de batería

mientras desliza el botón (14) sobre la parte delantera del cartucho.

Instalación y extracción de la unidad del ventilador en la chamarra (Figs. 4, 5 y 6)

Coloque el gancho del ventilador a la unidad del ventilador y páselo a través de la chamarra de tal forma que el gancho del ventilador pueda sujetar su cinturón. El gancho del ventilador es útil para una movilidad más cómoda.

Coloque la unidad del ventilador en la chamarra con el cierre de la cremallera (ziper). Luego fije con el botón a presión para asegurar en su lugar.

Siga el procedimiento de colocación a la inversa para quitar.

Colocación del portabatería (Figs. 7 y 8)

Conecte el portabatería al cable eléctrico de la chamarra. Es posible colgar el portabatería del cinturón alrededor de su cintura.

Para portabaterías de 18V y 14,4V

El portabatería emplea una función anticaída.

Al quitar el portabatería del cinturón, jale hacia arriba el portabatería mientras presiona el botón de desbloqueo (16).

Colocación del equipo filtrador (accesorio opcional) (Fig. 9)

El equipo filtrador protege la unidad del ventilador contra el polvo y la tierra. Se recomienda que use el equipo filtrador en lugares de trabajo con mucho polvo.

Coloque el filtro de esponja (17) a la unidad del ventilador, y luego coloque el filtro (18) sobre esto. Siga el procedimiento de colocación a la inversa para quitar.

DESCRIPCIÓN OPERATIVA

⚠ PRECAUCIÓN:

- **La chamarra ventilada se activa mediante la introducción de aire con temperatura y humedad menores a la de la superficie del cuerpo. Puede que la chamarra ventilada no se active si las condiciones de temperatura y/o humedad son mayores que aquellas en la chamarra.**

Acción del interruptor (Fig. 10)

Para encender la chamarra, presione y sostenga presionando el botón de encendido (21). La chamarra arranca con el ajuste a velocidad alta del aire. Cada vez que se toca sobre el botón de encendido, la velocidad del aire alterna de alta a media, de media a baja y de baja a alta. El indicador de la velocidad del aire (20) muestra la velocidad de la corriente del aire.

Para apagarlo, presione y sostenga el botón de encendido de nuevo.

Botón turbo (Fig. 10)

Al presionar el botón tubo (19), la chamarra opera en modalidad tubo para un rápido enfriamiento. La modalidad turbo dura un minuto y luego la velocidad de aire regresa al nivel normal.

Control del flujo de aire (Figs. 11, 12, 13 y 14)

Para mantener estable el flujo del aire, cierre el botón ubicado en el cuello de la chamarra. (Fig. 11).

Es posible controlar el aire que fluye hacia el interior de la chamarra al cerrar o abrir los cierres interiores.

Al cerrar los cierres internos (Fig. 12), la mayoría del aire fluye a través de la abertura del cuello con un alto volumen de aire. Al abrir los cierres interiores (Fig. 13), el aire fluye a través de las aberturas del cuello y las mangas.

Para modelos con capucha (Fig. 14)

Use la capucha con el casco puesto. El aire del ventilador circula a través del casco y enfría su cabeza.

Bolsillo de batería (Fig. 15)

Se proporciona un bolsillo para almacenar el portabatería (con la batería) por dentro de la chamarra. Conecte el cable eléctrico con el portabatería, y luego coloque en el bolsillo. El portabatería de 10,8V es apto para este bolsillo.

Conexión de dispositivos USB (Fig. 16)

⚠ PRECAUCIÓN:

- **Conecte solamente dispositivos los cuales sean compatibles con una fuente de alimentación vía USB. De lo contrario, puede que se genere un defecto en el funcionamiento del portabatería.**

El portabatería (con la batería) puede funcionar como una fuente de alimentación eléctrica externa para dispositivos USB.

Abra la cubierta y conecte el cable USB (no incluido) al puerto de alimentación eléctrica (22) del portabatería. Luego conecte el otro extremo del cable con el dispositivo y encienda con el interruptor (23) enseguida del puerto USB.

El portabatería (con la batería) suministra CC5V, 2.1A.

Para su conveniencia, el cable USB puede colocarse por dentro de la chamarra al usar el orificio del bolsillo y el sujetador del cable.

NOTA:

- Antes de conectar un dispositivo USB al portabatería (con la batería), prepare siempre una copia de respaldo de la información de su dispositivo USB. De lo contrario, puede que por alguna posibilidad su información se pierda.
- Puede que el cargador no suministre energía eléctrica a algunos dispositivos USB.
- Al no usarse o tras la recarga, retire el cable USB y sierra la cubierta.
- La energía de la batería se consume mientras el interruptor enseguida del puerto USB permanezca encendido. Apague siempre el interruptor cuando no esté en uso.

MANTENIMIENTO

⚠ PRECAUCIÓN:

- **Asegúrese siempre de que la chamarra esté apagada y el cartucho de batería extraído antes de intentar realizar cualquier operación de inspección o mantenimiento.**

- Si la chamarra no se enciende o se detecta cualquier falla con un cartucho de batería completamente recargado, limpie los nodos terminales del portabatería y del cartucho de batería. Si la chamarra aún no funciona correctamente, interrumpa el uso de la chamarra y acuda a un centro de servicio autorizado.
- Nunca use gasolina, bencina, diluyentes (tíner), alcohol o alguna sustancia similar. El uso de estas sustancias podría generar decoloraciones, deformaciones o grietas.

Limpieza de la chamarra

Desprenda la unidad del ventilado y el portabatería de la chamarra antes de lavar. Siga las instrucciones que se indican en la etiqueta de lavado.

Para DFJ400 y DFJ401

Use red para lavado al usar lavadora.

ACCESORIOS OPCIONALES

PRECAUCIÓN:

- Estos accesorios o aditamentos están recomendados para utilizarse con el equipo Makita especificado en este manual. El empleo de cualquier otro accesorio o aditamento puede conllevar un riesgo de lesiones personales. Use solamente accesorios o aditamentos para su propósito designado.

Si necesita cualquier ayuda con información adicional sobre estos accesorios, acuda al Centro de Servicio Makita de su región.

- Juego de filtro
- Batería y cargador originales de Makita

NOTA:












- Puede que algunos de los artículos en la lista vengan junto con el paquete como accesorios incluidos. Puede que estos accesorios varíen de país a país.

PORTUGUÊS (Instruções originais)

SÍMBOLOS

A seguir encontram-se os símbolos utilizados no equipamento.

Certifique-se de que você entende o significado de cada um antes do uso.

	Leia as instruções.
	Lavar na máquina abaixo de 30 °C no processo suave.
	Lavar na máquina abaixo de 40°C no processo suave.
	Lavar na máquina com máquina doméstica ou comercial na configuração normal.
	Não use alvejante.
	Secar em varal, à sombra.
	Não torcer.
	Passar a ferro em temperatura baixa (Não exceder a 110°C).
	Passar a ferro em temperatura média (Não exceder a 150°C).
	Não passe a ferro.
	Não lavar a seco.

INSTRUÇÕES DE SEGURANÇA

AVISO:

Leia todos os avisos de segurança e todas as instruções. A falha em seguir todos os avisos e instruções pode resultar em choque elétrico, incêndio e/ou ferimentos graves.

- Não use a jaqueta que não seja para o uso destinado.
- Se sentir algo incomum, desligue a jaqueta e remova imediatamente o suporte da bateria.

- Não use a jaqueta sobre a pele desnuda.
- Nunca use a jaqueta ventilada onde a temperatura alcance mais de 50°C (122°F). Caso contrário, poderá causar queimaduras na pele. Evite também usar em alta umidade.
- Não coloque estampa, jogue ou abuse da jaqueta ventilada.
- Evite água nas partes elétricas.
- Nunca durma vestindo a jaqueta ventilada. Grande declínio da temperatura corporal pode prejudicar sua saúde.
- Não ligue a jaqueta ventilada a menos que a esteja vestindo.
- Não coloque seu dedo na unidade do ventilador. Especialmente, preste atenção para que crianças não brinquem com a jaqueta ventilada.
- Crianças, pessoas com incapacidade física, ou outras que não tenham sensibilidade à temperatura, por exemplo, uma pessoa com má circulação sanguínea, devem se abster do uso da jaqueta.
- Se alguma anormalidade for encontrada, entre em contato com a assistência técnica local para reparo.
- Mantenha as etiquetas de manutenção e a placa de nome. Se elas ficarem ilegíveis ou faltarem, entre em contato com

- a assistência técnica local para reparo.
- Escolha a velocidade apropriada do ventilador de acordo com o ambiente de uso para a utilização contínua.
 - Este equipamento pode ser usado por crianças de 8 anos de idade e acima e por pessoas com capacidades físicas, sensoriais ou mentais reduzidas, ou com falta de experiência e conhecimento, se elas receberem supervisão ou instruções relacionadas ao uso do equipamento de modo seguro e entender os perigos envolvidos. Crianças não podem brincar com o equipamento. A limpeza e a manutenção pelo usuário não serão feitas por crianças sem supervisão.
 - Antes de lavar, retire a unidade do ventilador, o suporte da bateria e remova a bateria. Lave a parte da jaqueta somente.
 - Não sopre ar comprimido em direção ao ventilador. Não coloque seu dedo na unidade do ventilador. Caso contrário, o ventilador e o motor podem ficar danificados.
 - Não exponha a jaqueta à chuva ou a condições de umidade. A entrada de água na jaqueta aumentará o risco de choque elétrico.
 - Não use o cabo de alimentação indevidamente. Nunca use o cabo de alimentação para carregar, puxar ou desconectar a jaqueta. Mantenha o cabo de alimentação longe de calor, óleo ou arestas cortantes.
 - Não use a jaqueta quando estiver sob influência de drogas, álcool ou medicamentos.
 - Não deixe a jaqueta ventilada em local de alta temperatura, tal como carro aquecido ao sol. Caso contrário, a parte plástica pode derreter e ficar danificada.
 - Para armazenagem de longa duração, retire o suporte da bateria e a bateria da jaqueta, e remova a bateria do suporte.
 - Este equipamento não é destinado ao uso médico em hospitais.

Segurança elétrica

1. Não insira um prego, arame, etc. na porta de suprimento de alimentação USB. Caso contrário, um curto circuito pode causar fumaça ou fogo.
2. Não conecte a fonte de alimentação à porta USB. Caso contrário, há risco de incêndio. A porta USB é destinada apenas ao carregamento do dispositivo em baixa voltagem. Coloque sempre a capa sobre a porta USB quando não estiver

carregando o dispositivo em baixa voltagem.

Instruções de segurança importantes para a bateria

⚠️ ATENÇÃO:

Use somente baterias Makita originais. O uso de baterias Makita não originais, ou baterias que foram alteradas, pode resultar no estouro das baterias, resultando em incêndios, lesão pessoal e danos. Também anulará a garantia Makita para a ferramenta e o carregador Makita.

- Recarregue somente com o carregador especificado pelo fabricante. Um carregador compatível com um tipo de bateria pode criar o risco de incêndio se usado com outra bateria.
- Use a jaqueta somente com baterias especificamente designadas a elas. O uso de qualquer outra bateria pode criar risco de ferimentos e incêndio.
- Antes de usar a bateria, leia todas as instruções e símbolos de aviso no (1) carregador da bateria, (2) na bateria e (3) no produto usando a bateria.
- Não desmonte a bateria.
- Se o tempo de operação se tornar extremamente curto, pare o funcionamento

imediatamente. Se continuar, pode haver o risco de superaquecimento, queimaduras ou mesmo uma explosão.

- Sob condições abusivas, pode ser ejetado líquido da bateria; evite contato. Se entrar eletrólito nos olhos, lave com água limpa e busque atenção médica imediatamente. Pode ocorrer a perda de visão.
- Não provoque curto-circuito na bateria:
 1. Não toque nos terminais com material condutor.
 2. Evite guardar a bateria numa caixa junto com outros objetos metálicos como pregos, moedas, etc.
 3. Não exponha a bateria à água ou à chuva. Um curto-circuito da bateria pode causar um fluxo grande de corrente, superaquecimento, queimaduras ou mesmo falhas.
- Não guarde a jaqueta, o suporte da bateria e a bateria em locais onde a temperatura possa atingir ou exceder 50°C (122°F).
- Não queime a bateria mesmo que esteja muito danificada ou totalmente gasta. A bateria pode explodir no fogo.
- Tenha cuidado para não deixar cair a bateria ou batê-la.
- Não use bateria danificada.

- Siga as regulamentações locais relacionadas ao descarte da bateria.
- As baterias de íons de lítio estão sujeitas aos requisitos da Legislação de Bens Perigosos. É necessário ter em conta os requisitos especiais de empacotamento e etiquetagem no caso de o transporte ser realizado por terceiros e transportadoras, por exemplo. Para a preparação do item a ser expedido, é necessário consultar um especialista em materiais perigosos. Tenha igualmente em conta possíveis regulamentos nacionais detalhados. Isole ou cubra contatos abertos e embale a bateria de forma que ela não se mova na embalagem.

Sugestões para a máxima vida útil da bateria

- Jamais recarregue uma bateria que já esteja carregada. Carregar demais diminui a vida útil da bateria.
- Carregue a bateria em temperatura ambiente de 10°C a 40°C (50°F a 104°F).
- Se a bateria estiver quente, aguarde até que esfrie antes de recarregá-la.
- Carregue a bateria se não a usou por um longo período de tempo (mais de seis meses).

- Para uma vida útil máxima, a bateria tem de ser totalmente carregada após o uso.

GUARDE ESTAS INSTRUÇÕES.

(Consulte a última parte deste manual de instruções para ver todas as ilustrações.)

DESIGNAÇÃO DAS PEÇAS (Fig. 1 e 2)

DFJ202, DFJ203, DFJ300, DFJ301 (Fig. 1)

- (1) Laço para crachá
 - (2) Laço para bracelete
 - (3) Porta-manga
 - (4) Bolso da bateria
 - (5) Gancho do ventilador
 - (6) Botão de pressão
 - (7) Unidade do ventilador
 - (8) Cabo de alimentação
- Somente para DFJ203 e DFJ301
- (9) Borracha anti-derrapante
 - (10) Cobertura

DFJ400, DFJ401 (Fig. 2)

- (1) Laço para crachá
 - (2) Laço para bracelete
 - (3) Porta-mangas
 - (4) Bolso da bateria
 - (5) Gancho do ventilador
 - (6) Botão de pressão
 - (7) Unidade do ventilador
 - (8) Cabo de alimentação
 - (11) Ombreira
 - (12) Bolso de malha para bolsa de gelo
- Somente para DFJ401
- (9) Borracha anti-derrapante
 - (10) Cobertura

ESPECIFICAÇÕES

Potência (todos os modelos)

Porta de suprimento de alimentação USB	CC 5 V, 2,1 A, Tipo A
Tensão nominal (V)	10,8 V CC - 12 V máx. 14,4 V CC 18 V CC
Bateria	10,8 V BL1016, BL1021B, BL1041B 14,4 V BL1430B, BL1430, BL1460B 18 V BL1815N, BL1820B, BL1830, BL1830B, BL1840B, BL1850B, BL1860B

Tempo de funcionamento (horas aproximadas)

Velocidade do ar	com BL1041B	com BL1460B	com BL1860B
1	16 horas	21 horas	34 horas
2	11 horas	16 horas	25 horas
3	6,0 horas	8,5 horas	14 horas

NOTA:

A bateria BL1460B não está disponível em alguns países.

Material

DFJ202	Material externo: Poliéster (100%)
DFJ203	Material interno: Poliéster (100%) Bolso: Algodão (100%)
DFJ300	Material externo: Algodão (100%)
DFJ301	Material interno: Poliéster (100%) Bolso: Algodão (100%)
DFJ400	Material externo: Poliéster (100%) + camada de titânio perolado
DFJ401	Material interno: Poliéster (100%) Bolso: Algodão (100%) Ombreira: Poliéster (65%) + Algodão (35%)

- Devido a um contínuo programa de pesquisa e desenvolvimento, reservamo-nos o direito de alterar especificações de partes e acessórios, que constam neste manual, sem aviso prévio.
- Devido ao nosso contínuo programa de pesquisa e desenvolvimento, estas especificações estão sujeitas a alterações sem aviso prévio.
- As especificações e a bateria podem variar de país para país.
- O tempo de operação pode diferir dependendo do tipo de bateria, status da carga e condição de uso.

MONTAGEM

Instalação ou remoção da bateria para o suporte da bateria (Fig. 3)

⚠ ATENÇÃO:

- **Segure o suporte da bateria e a bateria firmemente quando instalar ou remover a bateria. Não segurar o suporte da bateria e a bateria firmemente pode fazer com que elas escorreguem de suas mãos, causando danos ao suporte da bateria e à bateria, além de ferimentos pessoais.**

Para instalar a bateria (15), alinhe a lingueta da bateria com a ranhura no suporte da bateria e deslize-a no lugar certo. Empurre-a até o fim para que a mesma se trave com um pequeno clique. Se for possível ver o indicador vermelho (13) no lado de cima do botão, significa que ela não está totalmente travada.

Sempre instale a bateria por completo até que não seja mais possível ver o indicador vermelho. Caso contrário, poderá cair acidentalmente do suporte da bateria e causar ferimentos em você ou em alguém próximo. Não instale a bateria com força. Se a mesma não deslizar facilmente, é sinal de que não está sendo encaixada

corretamente. Para remover a bateria, deslize-a do suporte de bateria enquanto desliza o botão (14) em frente à bateria.

Instalação ou remoção da unidade do ventilador à/da jaqueta (Fig. 4, 5 e 6)

Prenda o gancho do ventilador à unidade de ventilador e passe-o pela jaqueta, para que o gancho do ventilador possa segurar o cinto. O gancho do ventilador é útil para a mobilidade mais confortável.

Anexe a unidade do ventilador na jaqueta com fechamento do zíper. Depois aperte o botão de pressão para prendê-lo.

Siga o procedimento de instalação pela ordem inversa ao remover.

Anexar o suporte da bateria (Fig. 7 e 8)

Conecte o suporte da bateria e o cabo de alimentação da jaqueta.

Você pode pendurar o suporte da bateria no cinturão.

Para suportes de bateria 18 V e 14,4 V

O suporte da bateria emprega função anti-queda.

Ao retirar o suporte da bateria do cinto, puxe o suporte da bateria com o botão de desbloqueio (16) pressionado.

Anexar o conjunto de filtros (acessório opcional) (Fig. 9)

O conjunto de filtro protege a unidade do ventilador da poeira e do pó. Recomenda-se usar o conjunto de filtro em um local de trabalho empoeirado ou em pó.

Prenda a esponja do filtro (17) a unidade do ventilador e, em seguida, coloque o filtro (18) sobre ela. Siga o procedimento de instalação pela ordem inversa ao remover.

DESCRIÇÃO FUNCIONAL

⚠ ATENÇÃO:

- **A jaqueta ventilada tem efeito com a entrada de ar com temperatura e umidade inferiores à superfície corporal. A jaqueta do ventilador pode não ter efeito se a temperatura do ar e/ou a umidade no ambiente for superior a do interior da jaqueta.**

Ação do interruptor (Fig. 10)

Para ligar a jaqueta, pressione e segure pressionando o botão de alimentação (21). A jaqueta começa com a velocidade de ar alta. Cada vez que você tocar no botão de alimentação, a velocidade do ar muda de alta para média, média para baixa e baixa para alta. O indicador de velocidade do ar (20) mostra velocidade do ar corrente. Para desligar, mantenha pressionado o botão de alimentação.

Botão turbo (Fig. 10)

Ao pressionar o botão turbo (19), a jaqueta funciona no modo turbo para refrigeração rápida. O modo turbo dura um minuto e a velocidade do ar volta ao normal.

Controle do fluxo de ar (Fig. 11, 12, 13 e 14)

Para manter o fluxo de ar estável, feche o botão no pescoço da jaqueta. (Fig. 11)

Você pode controlar o ar que flui dentro da jaqueta apertando ou abrindo os zíperes internos.

Ao apertar os zíperes internos de fixação (fig. 12), a maior parte do ar sai pela abertura do pescoço com o volume de ar elevado. Ao abrir os zíperes internos (Fig. 13), o ar sai pelas abertura do pescoço e mangas.

Para os modelos com cobertura (Fig. 14)

Vista a cobertura com o capacete. O ar do ventilador passa pelo capacete e esfria a cabeça.

Bolso da bateria (Fig. 15)

Um bolso é fornecido para armazenar o suporte da bateria (com bateria) dentro da jaqueta. Conecte o cabo de alimentação ao suporte da bateria e, em seguida, coloque-o no bolso. O suporte da bateria 10,8 V é adequado para este bolso.

Conectando dispositivos USB (Fig. 16)

⚠ ATENÇÃO:

- **Conecte somente dispositivos que são compatíveis com a porta de suprimento de alimentação USB. Caso contrário, isso pode causar mau funcionamento do suporte da bateria.**

O suporte da bateria (com a bateria) pode funcionar como um suprimento de alimentação externo para dispositivos USB.

Abra a tampa e conecte o cabo USB (não incluído) à porta de suprimento de alimentação (22) do suporte da bateria. Em seguida, conecte a outra extremidade do cabo com o dispositivo e ligue o interruptor (23) ao lado da porta USB.

O suporte da bateria (com a bateria) fornece CC 5 V, 2,1 A. O cabo USB pode ser colocado dentro da jaqueta por conveniência ao usar o orifício do bolso e suporte do cabo.

NOTA:

- Antes de conectar o dispositivo USB ao suporte da bateria, faça sempre o backup de seus dados do dispositivo USB. Caso contrário, seus dados podem se perder.
- O carregador pode não suprir alimentação a alguns dispositivos USB.
- Quando não estiver usando ou após o carregamento, remova o cabo USB e feche a tampa.
- A energia da bateria é consumida enquanto o interruptor ao lado da porta USB estiver ligado. Sempre desligue o interruptor quando não estiver em uso.

bateria. Se a jaqueta não funcionar corretamente, pare de usar a jaqueta e entre em contato com nossa assistência técnica autorizada.

- **Nunca utilize gasolina, benzina, solvente, álcool ou algo semelhante. Isso pode resultar em descoloração, deformação ou rachaduras.**

Limpeza da jaqueta

Retire a unidade do ventilador e o suporte da bateria da jaqueta antes de lavar. Siga as instruções na etiqueta.

Para DFJ400 e DFJ401

Use uma rede de lavagem quando lavar na máquina.

ACESSÓRIOS OPCIONAIS

⚠ ATENÇÃO:

- **Os acessórios ou extensões especificados neste manual são recomendados para utilização com a sua ferramenta Makita. A utilização de quaisquer outros acessórios ou extensões pode apresentar o risco de ferimentos pessoais. Use o acessório ou extensão apenas para o fim a que se destina.**

Se desejar informações detalhadas sobre esses acessórios, solicite ao centro de assistência técnica autorizada Makita local.

- Conjunto de filtro
- Bateria e carregador originais da Makita

NOTA:

- Alguns itens na lista podem ser incluídos no pacote de ferramentas como acessórios padrão. Eles podem variar de país para país.

MANUTENÇÃO

⚠ ATENÇÃO:

- **Certifique-se sempre de que a jaqueta esteja desligada e a bateria retirada antes de executar qualquer inspeção ou manutenção na ferramenta. Se a jaqueta não ligar ou alguma falha for encontrada com uma bateria totalmente carregada, limpe os terminais do suporte da bateria e a**

简体中文 (原厂指导手册)

符号	21
安全指示	21
部件名称	24
规格	24
组装	25
功能说明	25
维护	26
选配附件	26

符号

下列所示为用于设备的符号。
请确保在使用前理解各个符号的含义。

	请阅读指导。		
	30° C 以下柔和机洗。		
	/		40° C 以下柔和机洗。
	正常设置下家用或商用洗衣机机洗。		
	不可漂白。		
	荫凉挂干。		
	不可拧干。		
	低温熨烫 (不超过 110° C)。		
	中温熨烫 (不超过 150° C)。		
	不得熨烫。		
	不可干洗。		

安全指示

⚠ 警告:

请仔细阅读所有的安全警告和操作指示。违反这些警告和指示可能导致触电、火灾和 / 或严重的人身伤害事故。

- 请勿将本夹克用于非既定用途。
- 如果感到任何异常，请立即脱下夹克并取下电池固定器。
- 不得裸肤穿着本夹克。
- 禁止在温度超过 50° C (122° F) 的地方使用风扇夹克。否则可能会烫伤皮肤。也请避免在高湿的地方使用。
- 不要踩踏、投掷或滥用风扇夹克。
- 避免电气部件沾水。
- 禁止穿戴风扇夹克睡觉。体温陡降可能有损您的健康。
- 穿上风扇夹克前不得打开电源。
- 请勿将手指放入风扇单元。特别需要注意的是不要让儿童玩耍风扇夹克。
- 儿童、残疾人、或对温度不敏感的任何人（如血液循环较差的人）应限制使用本夹克。
- 如果发现任何异常，请联系您当地的维修中心进行修理。
- 保持维护标签和铭牌。如果它们变得不可读或缺失，请联系您当地的维修中心进行修理。

- 根据连续使用的的环境，选择适合的风扇速度设置。
- 本电器可由 8 岁以上的儿童和身体、感官或心智方面有障碍、或缺乏经验与知识的人员使用，但前提是受到监护或接受了本电器的相关安全使用指导并了解涉及的危险。禁止儿童玩耍本电器。禁止在没有监护的情况下由儿童进行清洁和用后维护。
- 洗涤前，拆下风扇单元、电池固定器并取出电池套管。仅洗涤夹克部分。
- 请勿向风扇吹压缩空气。请勿将小棍放入风扇单元。否则可能损坏风扇和电机。
- 不得将夹克暴露在雨中或潮湿的环境中。水进入夹克可能增加触电危险。
- 请勿不当使用电线。切勿用电源线拖携夹克或拔下夹克的插头。将电线保存在远离高温、油、锐边之处。
- 服用药物、酒精或治疗之后，切勿使用夹克。
- 请勿将夹克遗留在高温的地方，如阳光照射下的汽车内。否则塑料部件可能融化和损坏。

- 如要长时间存放，请从夹背上拆下电池固定器和电池套管，从电池固定器上拆下电池套管。
- 本电器不得用于医院的医疗使用。

电气安全

1. 请勿将钉子、铁丝等插入 USB 电源端口。否则短路可能引起冒烟和火灾。
2. 请勿将电源连接到 USB 端口。否则有火灾危险。USB 端口只能用于对低压设备充电。没有对低压设备充电时，务必盖住 USB 端口。

电池套管重要安全注意事项

△ 注意：

仅使用原厂牧田电池。使用非原厂的牧田电池或使用改装过的电池，将可能导致电池爆炸，引起火灾、人员受伤和物品损坏。这也将丧失牧田对牧田工具和充电器的保修。

- 仅使用制造商指定的充电器进行充电。适用于一种类型电池组的充电器如果用于其

- 他电池组可能会引起火灾危险。
- 使用夹克时仅使用指定的电池组。使用任何其他电池组可能会引起人身伤害或火灾危险。
 - 使用电池套管前，请阅读(1) 电池充电器、(2) 电池和(3) 使用电池之产品上的所有指导说明和警戒标记。
 - 请勿拆开电池套管。
 - 如果操作时间变得过短，立即停止操作。其可能导致过热、造成灼伤，甚至爆炸的危险。
 - 如果使用不当可能从电池渗出液体。避免接触此类流动物体。如果电解液进入您的双眼，用清水冲洗，并立即就医。其可能导致您的视力下降。
 - 请勿短接电池套管：
 1. 请勿使用任何导电材料接触端子。
 2. 避免在装有其它金属物体的容器内存放电池套管，例如钉子、硬币等。
 3. 不要将电池套管暴露在水或雨中。电池短路可能导致过大的电流、过热，可能造成灼伤，甚至发生故障。

- 请勿将夹克、电池固定器和电池套管存放于温度可能达到或超过 50° C (122° F) 的位置。
- 即使电池套管严重损坏或完全磨损，也不要烧弃之。电池套管在火中可能爆炸。
- 请小心，不要掉落或撞击电池。
- 不要使用损坏的电池。
- 请遵守当地关于电池处置的规定。
- 所含锂离子电池符合《危险品立法》的要求。
对于商业运输（如通过第三方、运输代理），必须遵守包装和标签的特殊要求。对于要发运的物品准备，必须咨询危险材料方面的专家。也请遵守可能更加详细的相关国家规定。
缠绕或屏蔽开口触点，并包装好电池，让其不能在包装盒内移动。

保持电池最大寿命的提示

- 切勿重新给完全充电的电池套管再次充电。过度充电会缩短电池使用寿命。
- 在 10° C - 40° C (50° F - 104° F) 的室温给电池套管充电。

- 充电前，让灼热的电池套管冷却下来。
- 如果长期不使用（超过六个月），请充电电池套管。
- 为取得最佳寿命，电池套管使用后必须完全充满电。

请保留此说明书。

(所有图示请参考本指导手册的最后部分。)

部件名称 (图 1 和 2)

DFJ202, DFJ203, DFJ300, DFJ301 (图 1)

- (1) 名章环
- (2) 臂章环
- (3) 袖子固定器
- (4) 电池口袋
- (5) 风扇锁钩
- (6) 按扣
- (7) 风扇单元
- (8) 电源线

仅用于 DFJ203 和 DFJ301

- (9) 防滑橡胶
- (10) 兜帽

DFJ400、DFJ401 (图 2)

- (11) 名章环
- (2) 臂章环
- (3) 袖子固定器
- (4) 电池口袋
- (5) 风扇锁钩
- (6) 按扣
- (7) 风扇单元
- (8) 电源线
- (11) 垫肩
- (12) 冰包网袋

仅适用于 DFJ401

- (9) 防滑橡胶
- (10) 兜帽

规格

电源 (所有型号)

USB 电源端口	DC 5V, 2.1A, Type A
额定电压 (V)	DC 10.8V - 12V 最大 DC 14.4V DC 18V

电池套管	10.8V BL1016, BL1021B, BL1041B
	14.4V BL1430B, BL1430, BL1460B
	18V BL1815N, BL1820B, BL1830, BL1830B, BL1840B, BL1850B, BL1860B

运行时间 (大约小时数)

空气速度	带		
	BL1041B	BL1460B	BL1860B
1	16 小时	21 小时	34 小时
2	11 小时	16 小时	25 小时
3	6.0 小时	8.5 小时	14 小时

注:

某些国家不供货 BL1460B 电池。

材料

DFJ202	外层面料: 聚酯纤维 (100%)
DFJ203	内层面料: 聚酯纤维 (100%) 夹克: 棉 (100%)
DFJ300	外层面料: 棉 (100%)
DFJ301	内层面料: 聚酯纤维 (100%) 夹克: 棉 (100%)
DFJ400	外层面料: 聚酯纤维 (100%) + 钛珠光涂层
DFJ401	内层面料: 聚酯纤维 (100%) 夹克: 棉 (100%) 垫肩: 聚酯纤维 (65%) + 棉 (35%)

- 鉴于我司将持续实施研发计划，此处规格如有变更，恕不另行通知。
- 本产品在各个国家的规格和电池套管可能有所不同。
- 视电池类型、充电状态和使用环境的情况，操作时间可能不同。

产品标准编号：
IEC 61000-4-2, IEC 60335-2-80:2002, IEC
60335-1:2010, FCC PART 15 SUBPART
B:2014,
ICES-003 Issue 5:2012, E 480176
1-2-2016
Version 1

组装

将电池套管安装到电池固定器或从电池固定器上拆下 (图 3)

⚠ 注意:

- 安装或拆卸电池套管时牢牢握住电池固定器和电池套管。未能牢牢握住电池固定器和电池套管可能导致它们从手中滑出，损坏电池固定器和电池套管及造成人员受伤。

安装电池套管 (15) 时，将电池套管的凸起与电池固定器上凹槽对齐，然后滑入就位。一直插入，直到其锁定在位，这时候会听到微弱的“咔哒”声。如果能看到按钮上侧的红色指示灯 (13)，则表示没有完全锁紧。

务必装好电池套管，直到不能看到红色指示灯。否则，它可能意外从电池固定器中掉出，导致您或您周围的人员受到伤害。请勿用力安装电池套管。如果电池套管没有轻松地滑入，表明其可能没有正确插入。取出电池套管时，滑动电池套管前面的按钮 (14)，将其从电池固定器中滑出。

将风扇单元安装到夹克或从夹克上拆下 (图 4、5 和 6)

将风扇锁钩装在风扇单元上并穿过夹克，让风扇锁钩能固定住皮带。风扇锁钩用于更加舒适的移动。

将风扇单元装在夹克上，拉链拉上。然后扣紧按扣以紧固它。

拆卸时，按照安装步骤的相反顺序进行。

装上电池固定器 (图 7 和 8)

连接电池固定器和夹克的电源线。

可将电池固定器挂在腰带上。

对于 18V 和 14.4V 电池固定器

电池固定器采用了防掉落功能。

从皮带上拆下电池固定器时，按下解锁按钮 (16) 拔起电池固定器。

装上过滤器 (选购配件) (图 9)

过滤器保护风扇，防止灰尘和粉末。在多粉尘的地方建议使用过滤器。

将海绵过滤器 (17) 装在风扇单元上，然后将过滤器 (18) 放在上面。拆卸时，按照安装步骤的相反顺序进行。

功能说明

⚠ 注意:

- 当吸入空气的温度和湿度低于身体表面时，风扇夹克发挥作用。如果环境空气温度和/或湿度高于夹克内的，风扇夹克可能不起作用。

开关操作 (图 10)

如要打开夹克电源，请按住电源按钮 (21)。夹克以高速空气启动。每次按下电源按钮，空气速度从高速变为中速，中速变为低速、低速变为高速。高速速度指示灯 (20) 指示当前的空气速度。

如要关闭电源，再次按住电源按钮。

涡轮按钮 (图 10)

按下涡轮按钮 (19)，夹克以涡轮模式工作，实现快速冷却。涡轮模式持续一分钟，空气速度回到正常。

气流控制 (图 11、12、13 和 14)

为保持稳定的气流，关闭夹克颈部的按钮。(图 11)

可通过拉上或打开内部拉链来控制夹克内的气流。

当拉紧内部拉链 (图 12) 时，大多数的气体以高气流通过颈部的开孔。当打开内部拉链 (图 13) 时，气体流过颈部和袖子的开孔。

对于带兜帽的型号 (图 14)

戴上兜帽，头盔盖在上面。来自风扇的空气穿过头盔，冷却头部。

电池口袋 (图 15)

提供口袋用于将电池固定器

(带电池) 存放在夹克内。将电源线与电池固定器相连，然后将其放入口袋中。该口袋适用于 10.8V 电池固定器。

连接 USB 设备 (图 16)

⚠ 注意:

- 仅连接兼容 USB 电源端口的设备。否则可能引起电池固定器故障。

电池固定器 (带电池) 可作为 USB 设备的外部电源来工作。

打开盖子，将 USB 电缆（未含）与电池固定器的电源端口（22）相连。然后将电缆的另一端与设备相连，打开 USB 端口旁的开关（23）。

电池固定器（带电池）提供 DC5V, 2.1A 的电力。可使用口袋孔和电缆固定器将 USB 电缆放在外套内以方便使用。

注：

- 将 USB 设备连接到电池固定器（带电池）前，务必备份 USB 设备的数据。否则您的数据可能会意外丢失。
- 充电器可能不向某些 USB 设备供电。
- 不使用时或充电后，拆下 USB 电缆并关上盖子。
- 当 USB 端口旁的开关打开时，将消耗电池电力。不使用时务必关闭开关。

维护

⚠ 注意：

- 尝试进行检查或维护前，务必关闭夹克电源，并拆下电池套管。

如果夹克不通电或完全充满的电池套管出现任何问题，请清洁电池固定器和电池套管的端子。如果外套仍然不能正常工作，请停止使用外套并联系授权的维修中心。

- 不得使用汽油、苯、稀释剂、酒精或其它类似产品。否则可能出现退色、变形或裂缝。

清洁夹克

清洗前将风扇单元和电池固定器从夹克上拆下。遵循护理标签上的指示。

对于 DFJ400 和 DFJ401

机洗时使用洗衣网。

选配附件

⚠ 注意：

- 这些配件或附件建议用于本手册指定的牧田工具。使用任何其它配件或附件可能造成人身伤害的危险。配件或附件仅可用于指明的目的。

如果您需要有关这些配件的更多详细信息或需要帮助，请与当地的牧田维修中心联系。

- 过滤器
- 牧田正品电池或充电器

注：

- 列表中的某些物品可能已经作为标准附件包括在了工具包装中。它们可能在不同国家各异。

繁體中文（原始操作手冊）

符號

設備使用以下的符號。
使用前，確保您理解他們的含義。

	閱讀操作說明。
	可用 30° C 以下的水溫在洗衣機溫和清洗。
 / 	可用 40° C 以下的水溫在洗衣機溫和清洗。
	可用家用或商用洗衣機在正常設定下清洗。
 / 	不可漂白。
 / 	於陰影處晾乾。
	不可擰扭。
	低溫熨燙 (不超過 110° C)。
	中溫熨燙 (不超過 150° C)。
	不可熨燙。
	不可乾洗。

安全說明

⚠ 警告：

請仔細閱讀所有的安全警告和操作說明。若未遵循警告事項與說明，可能會導致觸電、火災及/或嚴重受傷。

- 請勿將本外套用於非既定用途。
- 若有感到任何異常，請立即脫下外套並取下電池座。
- 不得裸膚穿著本外套。
- 請勿在溫度達到或超過 50° C (122° F) 的環境中使用風扇外套，否則將會使皮膚燙傷。也請避免在高濕度環境下使用。
- 請勿踩踏、丟擲或濫用風扇外套。
- 請避免電氣零件接觸到水。

- 請勿穿著風扇外套睡眠。急速降低體溫可能會損害健康。
- 若非穿著狀態下，請勿開啟風扇外套。
- 請勿將手指伸入風扇內。請特別注意勿讓兒童把玩風扇外套。
- 兒童、殘疾人、或對溫度不敏感的任何人士（如血液循環較差的人）應限制使用本外套。
- 如果發現任何異常，請聯繫您當地的維修中心進行修理。
- 保存維護標籤和名牌。如果它們不可讀或缺失，請聯繫您當地的維修中心進行修理。
- 根據要連續使用的環境，選擇適合的風扇速度。
- 本電器可由 8 歲以上的兒童和身體、感官或心智方面有障礙、或缺乏經驗與知識的人員使用，但前提是他們受到監護或接受了本電器的相關安全使用指導並瞭解涉及的危險。禁止兒童玩耍本電器。禁止在沒有監護的情況下由兒童進行清潔和用戶維護。
- 洗滌前拆下風扇及電池座並取出電池盒。僅清洗外套部分。
- 請勿將壓縮空氣吹向風扇。請勿將細小棒狀物置入風扇內，否則將損壞風扇及馬達。
- 不得將外套暴露在雨水或潮濕的環境中。外套進水可能增加觸電的危險。
- 切勿濫用電線。切勿用電線拖曳、拉扯外套或以拉拔電線的方式拔下插頭。請將電線放置在遠離熱、油、尖銳邊緣的地方。
- 受藥物、酒精或藥物治療影響時，請勿使用外套。

- 請勿將風扇外套置於高溫環境下，如陽光曝曬下的車內，否則塑膠部分將會融化損壞。
- 若要長期保存不用，請從外套上拆下電池座及電池盒，並將電池盒自電池座中取出。
- 本電器不得用於醫院的醫療使用。

電氣安全

1. 請勿將釘子、鐵絲等插入 USB 電源埠，否則，電路短路可能引起冒煙和著火。
2. 請勿將電源連接到 USB 埠上，否則會有火災危險。USB 埠只能用於對低壓設備充電。當沒有對低壓設備充電時，務必蓋住 USB 埠。

電池盒重要安全須知

⚠ 注意：

僅可使用原廠 Makita 電池。使用非原廠 Makita 電池，或經過修改的電池，可能會造成電池爆炸，造成火災、人員受傷及損壞。同時也會使 Makita 工具及充電器的 Makita 保固失效。

- 請僅使用製造商規定的充電器進行充電。適合一種電池組使用的充電器，可能在搭配另一種電池組使用時會出現引發火災的危險。
- 只能使用專門指定的電池組來操作外套。使用任何其他電池組可能會出現受傷及引發火災的危險。
- 使用電池盒前，請閱讀 (1) 電池充電器、(2) 電池和 (3) 使用電

池的產品上的所有說明和注意事項。

- 切勿拆解電池盒。
- 如果工作時間明顯縮短，則應立即停止操作，否則會引起過熱、燃燒甚至爆炸。
- 當使用過度時，電池中可能會溢出液體，請避免接觸。如果電解液濺入雙眼，請立即用清水沖洗並就醫，否則可能會導致失明。
- 切勿使電池盒發生短路：
 1. 切勿使任何導體接觸到電池端子。
 2. 不要將電池盒與釘子、硬幣等其他金屬物體存放在同一容器中。
 3. 請勿將電池盒暴露於水中或雨中。電池短路可引起大電流、過熱、造成燙傷甚至爆炸的危險。
- 請勿將外套、電池座和電池盒存放在溫度可能達到甚至超過 50° C (122° F) 的環境下。
- 即使電池盒已經嚴重受損或已完全耗竭，也不可焚燒處理。電池盒置入火中會引發爆炸。
- 注意不要摔落或撞擊電池。
- 請勿使用損壞的電池。
- 遵守當地關於丟棄電池的規定。
- 內含的鋰離子電池受危險品法規需求所規範。若是由第三方、貨運承攬業者進行商業運輸，必須遵守特殊的包裝與標示需求。若要準備待運送的物品，須請教有害物質專家。亦請遵守可能更詳盡的國家法規。

請將裸露的接點貼上膠帶或遮蔽，並以不會讓電池在包裝內移動的方式包裝電池。

如何保持電池的最大壽命

- 切勿對完全充電的電池盒充電。過度充電會縮短電池使用壽命。
- 電池盒充電環境應在 10° C - 40° C (50° F - 104° F) 的室溫中。
- 請在充電前使處於發熱狀態的電池盒冷卻。
- 若長期未使用（超過六個月以上），請將電池盒充電。
- 為獲得最佳使用壽命，電池盒在使用後必須完全充滿電。

請妥善保存這些使用說明書。

（請參閱使用說明手冊內最末章節以取得全部圖解說明）。

部件名稱（圖 1 與 2）

DFJ202、DFJ203、DFJ300、DFJ301（圖 1）

- (1) 名牌用掛繩
- (2) 臂章用掛繩
- (3) 袖環
- (4) 電池袋
- (5) 風扇掛鉤
- (6) 彈簧扣
- (7) 風扇
- (8) 電源線

僅適用於 DFJ203 與 DFJ301

- (9) 防滑橡膠
- (10) 兜帽

DFJ400、DFJ401（圖 2）

- (1) 名牌用掛繩
- (2) 臂章用掛繩
- (3) 袖環
- (4) 電池袋
- (5) 風扇掛鉤
- (6) 彈簧扣
- (7) 風扇
- (8) 電源線

- (11) 肩墊
- (12) 冰袋用網袋

僅適用於 DFJ401

- (9) 防滑橡膠
- (10) 兜帽

規格

電源（所有機型）

USB 電源埠	DC 5V、2.1A、Type A
額定電壓 (V)	DC 10.8V - 12V 最大 DC 14.4V DC 18V
電池盒	10.8V BL1016、BL1021B、BL1041B 14.4V BL1430B、BL1430、BL1460B 18V BL1815N、BL1820B、 BL1830、BL1830B、BL1840B、 BL1850B、BL1860B

工作時間（約略時數）

風速	配備 BL1041B	配備 BL1460B	配備 BL1860B
1	16 小時	21 小時	34 小時
2	11 小時	16 小時	25 小時
3	6.0 小時	8.5 小時	14 小時

註：

BL1460B 電池可能在某些國家無法使用。

材質

DFJ202	外層材質：聚酯纖維 (100%)
DFJ203	內層材質：聚酯纖維 (100%) 口袋：棉 (100%)
DFJ300	外層材質：棉 (100%)
DFJ301	內層材質：聚酯纖維 (100%) 口袋：棉 (100%)
DFJ400	外層材質：聚酯纖維 (100%) +
DFJ401	珍珠純鈦塗料 內層材質：聚酯纖維 (100%) 口袋：棉 (100%) 肩墊： 聚酯纖維 (65%)+ 棉 (35%)

- 我們持續進行研發工作，本公司保留修改規格的權利，恕不事先通知。
- 於不同國家販售的電池盒規格可能會有所差異。
- 工作時間可能會依據電池類型、充電狀態及使用情況而有所差異。

裝配

將電池盒安裝或從電池座上拆下（圖 3）

△ 注意：

- 安裝或拆卸電池盒時牢牢握住電池座和電池盒。未能牢牢握住電池座和電池盒可能導致它們從手中滑出，損壞電池座和電池盒及造成人員受傷。

安裝電池盒 (15) 時，要將電池盒上的舌簧與電池座上的凹槽對齊，然後推滑到位。請務必將電池盒插到底，直至聽到喀嗒聲鎖住定位。如果插入後仍能看到按鈕上側的紅色指標 (13)，則說明電池盒未完全鎖緊。

務必將電池盒安裝完全，直到看不見紅色指標，否則電池盒會從電池座中脫落，造成您或他人受傷。

切勿用力安裝電池盒。如果電池盒無法順利滑入，則可能是插入不當所致。拆卸電池盒時，按下電池盒前方的按鈕(14)，同時將電池盒從電池座推出。

將風扇安裝或從外套上拆下 (圖 4、5 及 6)

將風扇掛鉤裝至風扇，並穿過外套，使風扇掛鉤可托住皮帶。風扇掛鉤在讓您更舒服的行動上，非常實用。在拉鍊拉上的狀態下，將風扇裝至外套上。將彈簧扣扣上以固定。請依照相反的安裝程序拆下。

裝置電池座 (圖 7 與 8)

連接電池座和外套的電源線。
可將電池座掛在皮帶上。

適用於 18V 與 14.4V 電池座

電池座具備防掉落功能。
從皮帶拆下電池座時，請將電池座向上拉，同時按下解開按鈕(16)。

裝置濾清器組 (選購配件) (圖 9)

濾清器組保護風扇不受粉塵所害。建議在粉塵多的工作場所使用濾清器組。
將濾棉(17)裝至風扇，然後將濾清器(18)放置在上。請依照相反的安裝程序拆下。

功能描述

⚠ 注意：

- 風扇外套會在吸入溫、濕度都較體表低的空氣時發揮效果。環境空氣中的溫、濕度較外套內的溫、濕度高時，風扇外套則會無法發揮效果。

切換動作 (圖 10)

若要打開外套電源，按住電源鈕(21)。外套將以高風速啟動。每按一下電源鈕，風速會從高速轉為中速、中速轉為低速、低速轉為高速。風速指示燈(20)顯示目前風速。若要關閉電源，再次按住電源鈕。

渦輪加速按鈕 (圖 10)

按下渦輪加速按鈕(19)，外套將啟動渦輪加速模式快速降溫。渦輪加速模式將會持續一分鐘，即轉為正常風速。

氣流控制 (圖 11、12、13、14)

若要維持穩定氣流，請扣上位於外套頸部位置的鈕釦。(圖 11)

可利用扣上或解開內側拉鍊，控制外套內的氣流。

當扣上內側拉鍊(圖 12)時，大部分空氣將會以大風量於頸部開口處流動。當解開內側拉鍊(圖 13)，空氣將會於頸部及袖子開口處流動。

適用於有兜帽的機型 (圖 14)

在安全帽戴上後，戴上兜帽。來自風扇的氣流穿過安全帽，使您的頭感到涼爽。

電池袋 (圖 15)

電池袋用於將電池座(含電池)收藏於外套內。將電源線接至電池座，然後裝入電池袋。10.8V 電池座適用於此電池袋。

連接 USB 裝置 (圖 16)

⚠ 注意：

- 僅連接與 USB 電源埠相容之設備，否則可能引起電池座故障。

電池座(含電池)可作為 USB 設備的外部電源。將電池座蓋打開，並將 USB 纜線(未含)與電池座的電源埠(22)相連。將纜線的一端接至裝置，然後開啟 USB 埠旁的開關(23)。

電池座(含電池)供應 DC5V, 2.1A。可使用口袋孔和電纜座將 USB 電纜放在外套內以方便使用。

註：

- USB 設備連接至電池座(含電池)前，務必備份 USB 設備的資料，否則您的資料可能會遺失。
- 充電器可能無法對某些 USB 設備供電。
- 當沒有使用或充電後，拆下 USB 電纜並關閉蓋子。
- USB 埠旁的開關開啟時，便會消耗電池電力。未使用時請務必關閉開關。

保養

⚠ 注意：

- 在進行檢查或保養之前，請務必關閉外套電源，並取出電池盒。
若外套不能開啟或完全充滿的電池盒出現任何問題，請清潔電池座和電池盒的端子。如果外套仍然不能正常運作，請停止使用外套並聯繫授權的維修中心。
- 勿使用石油、揮發油、稀釋劑、酒精等液體。可能會造成褪色、變形或出現裂縫。

清潔外套時

洗滌前從外套拆下風扇及電池座。請依照保養標籤上的指示。

適用於 DFJ400 與 DFJ401

用洗衣機洗滌時，請使用洗衣袋。

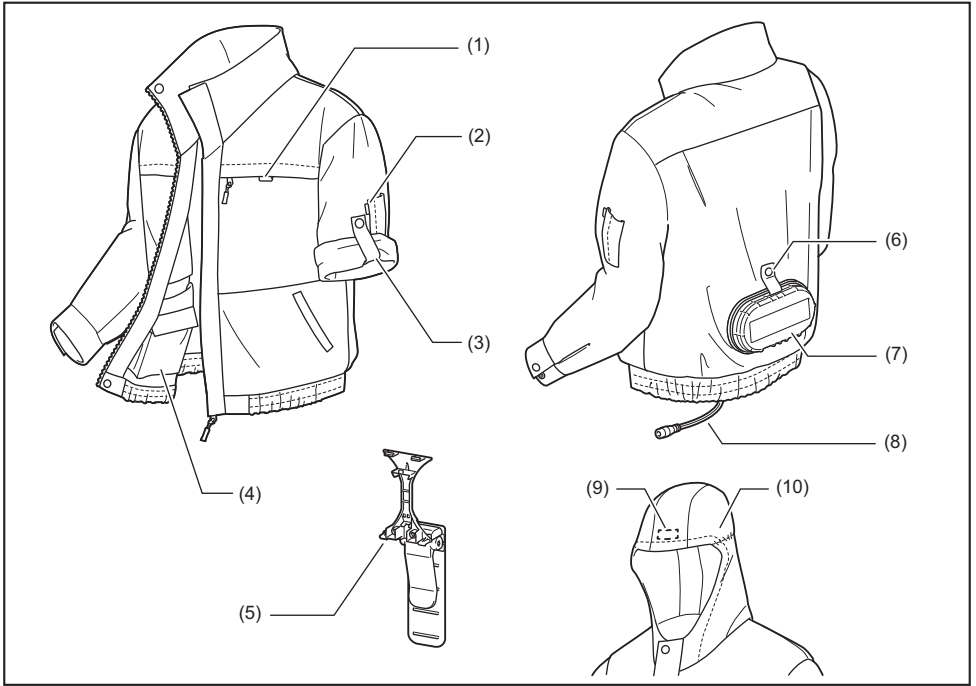
選購配件

⚠ 注意：

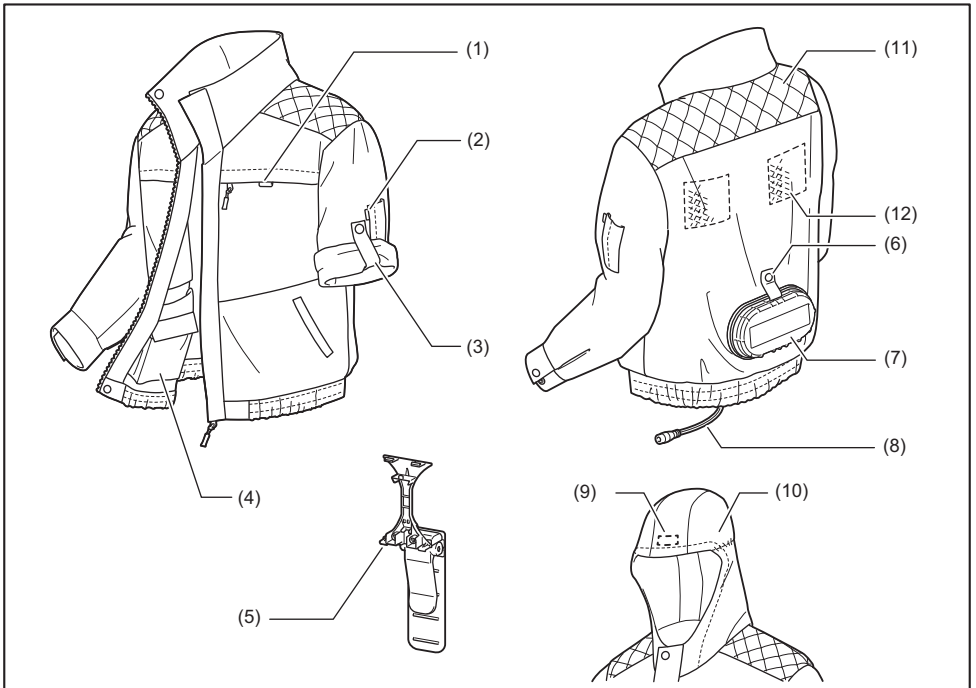
- 這些配件或附件專用於本說明所列的 Makita (牧田) 電動工具。使用其他廠牌配件或附件，可能會導致人身傷害。僅可將配件或附件使用於規定的目的。若您需要幫助，或想瞭解更多關於這些配件的訊息，請諮詢當地的 Makita (牧田) 維修中心。
- 濾清器組
- 牧田原廠電池和充電器

註：

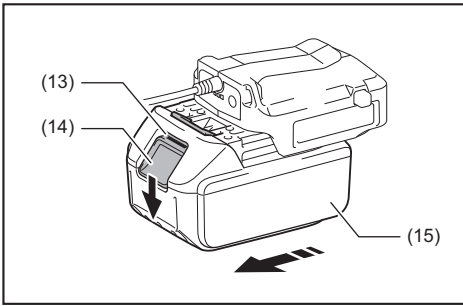
- 清單內的某些項目可能為工具包裝內的標準配件。於不同國家販售的配件可能會有差異。



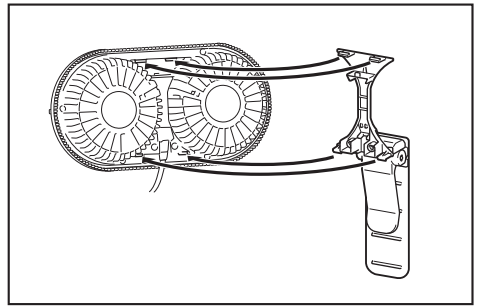
1



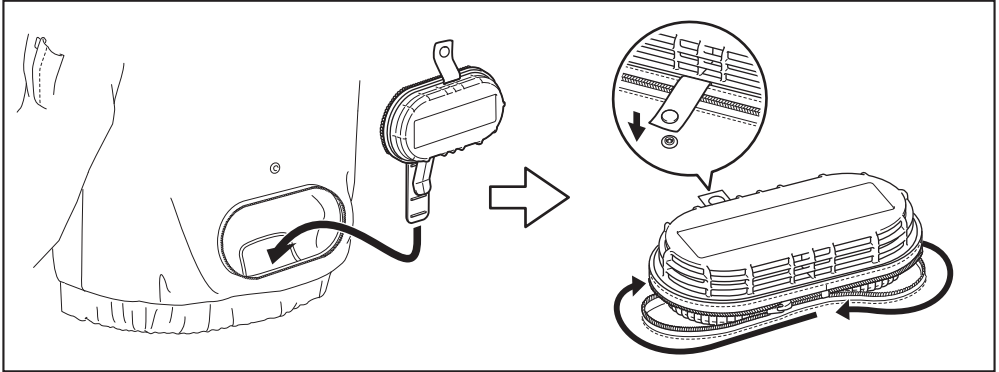
2



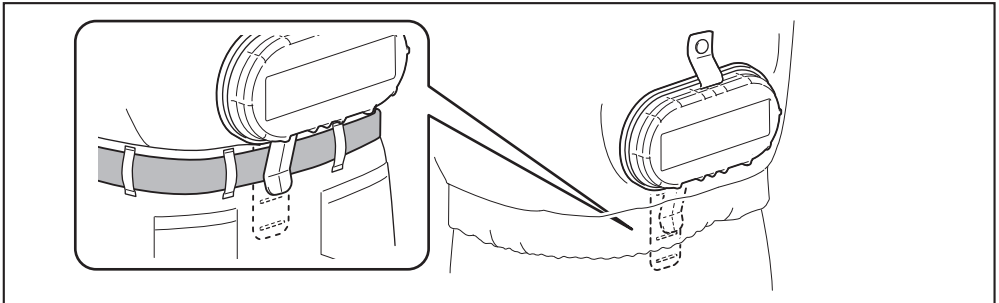
3



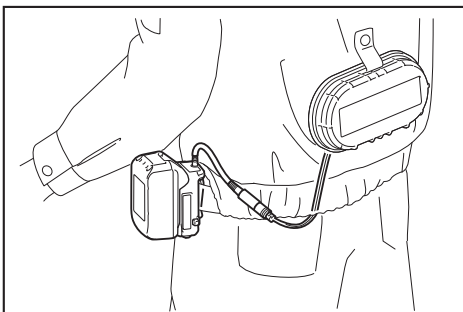
4



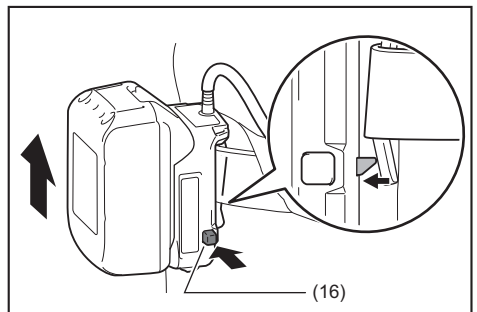
5



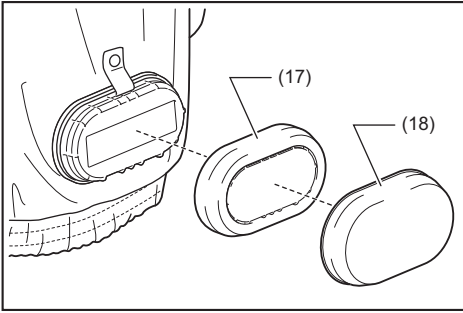
6



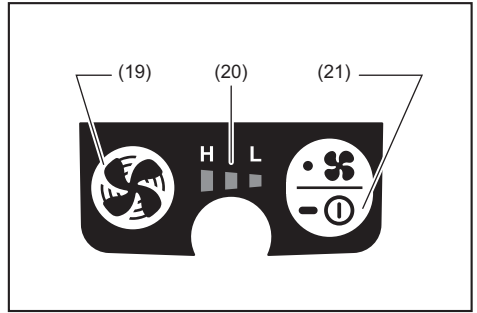
7



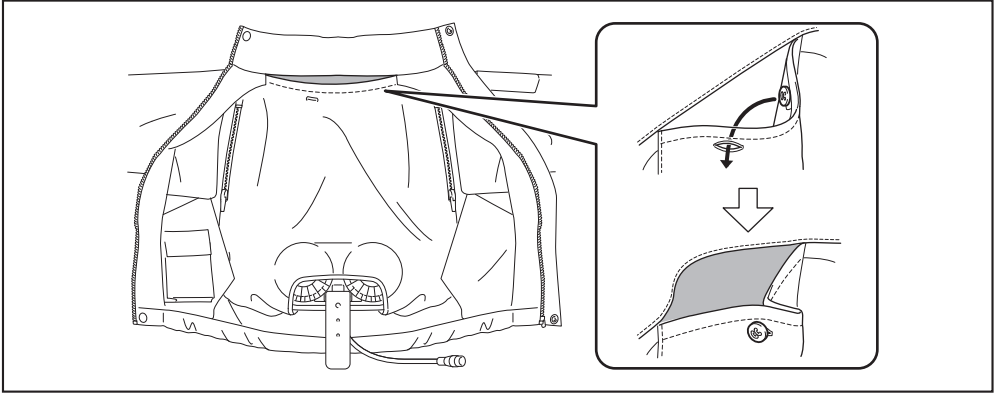
8



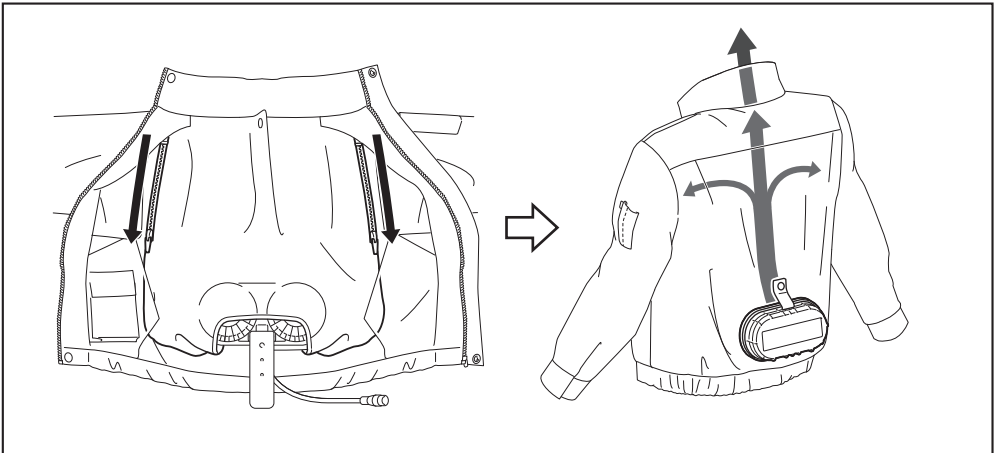
9



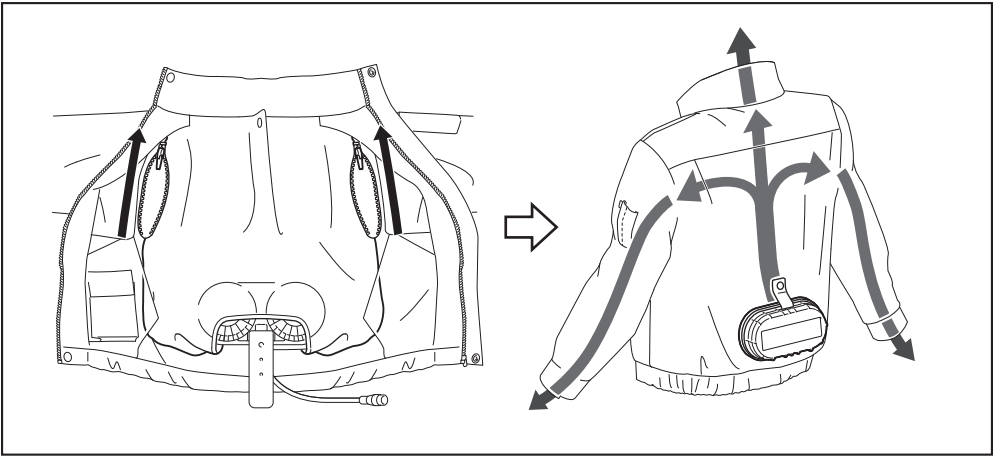
10



11



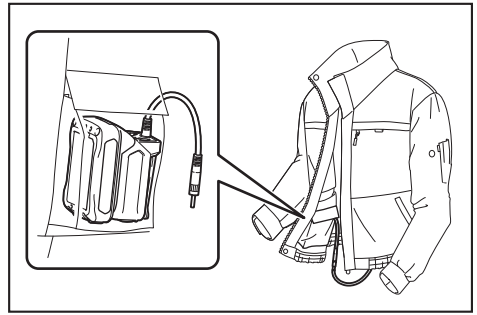
12



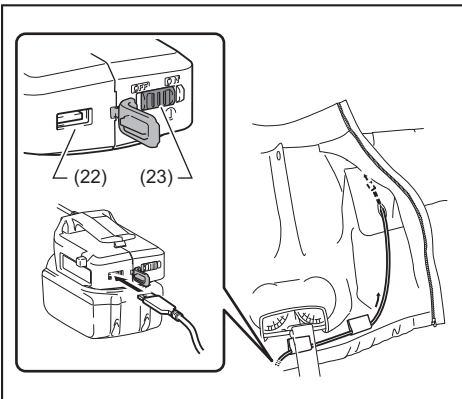
13



14



15



16

Makita Corporation
3-11-8, Sumiyoshi-cho,
Anjo, Aichi 446-8502 Japan