



VN	VIETNAM
----	---------

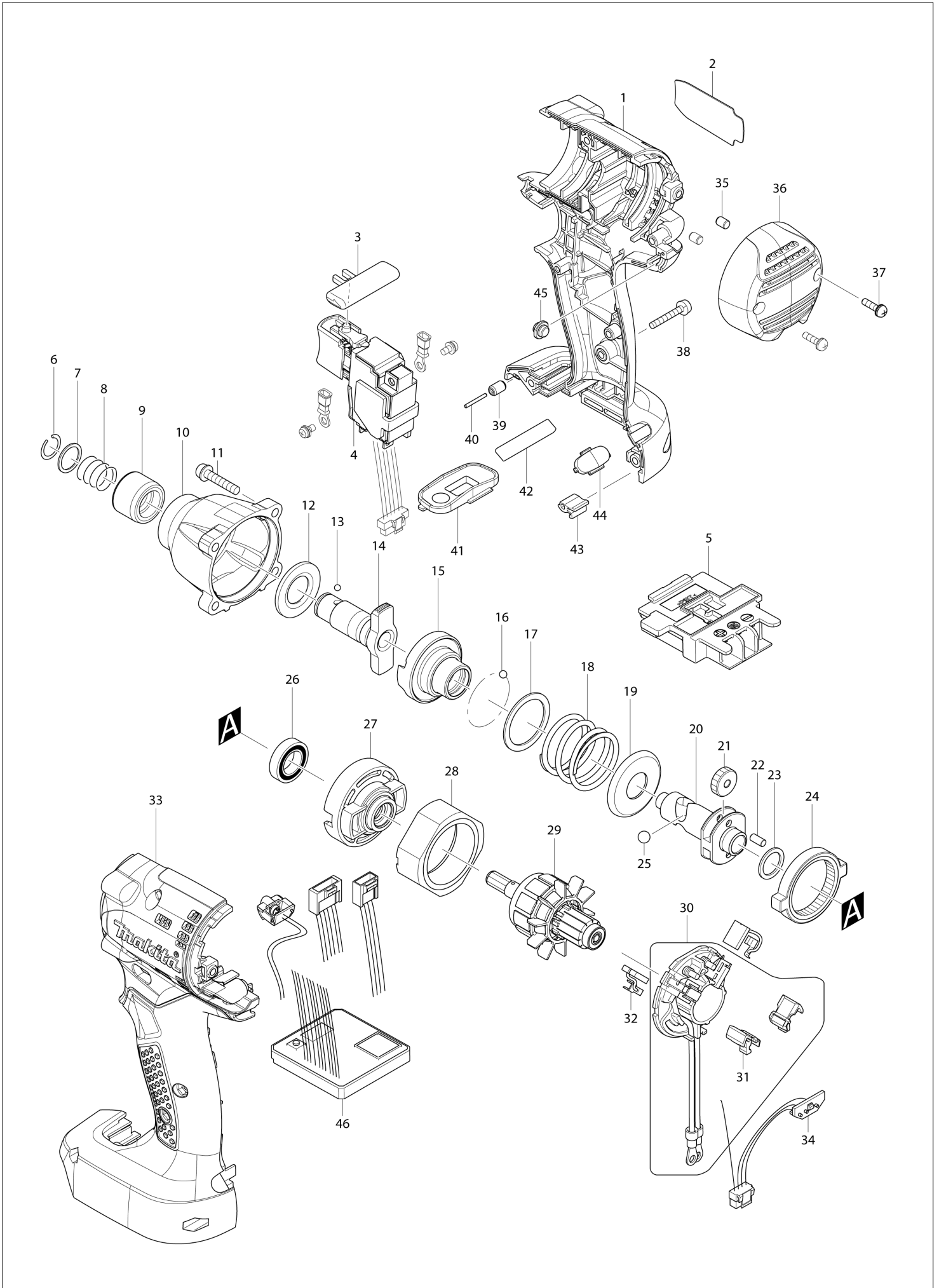
Diagram / Parts List

BTD044

CORDLESS IMPACT DRIVER



(VN) BTD044 / CORDLESS IMPACT DRIVER



VN	VIETNAM
-----------	----------------

BTD044 / CORDLESS IMPACT DRIVER

Item	Sub	Parts No.	Parts Description	Qty	I/C	E/C No.	Close No.	Remark
001		187646-0	HOUSING SET	1			C4396	
	C10	263005-3	RUBBER PIN 6	2			C4396	
	D10		INC. 33				C4396	
001-1		183K96-3	HOUSING SET	1	<	C4396		
	C10	263005-3	RUBBER PIN 6	2		C4396		
	D10		INC. 33			C4396		
002		814J61-2	BTD044 NAME PLATE	1			B3753	
002-1		852R42-6	BTD044 NAME PLATE	1	<	B3753		
003		419041-9	F/R CHANGE LEVER	1				
004		650702-4	SWITCH TG573FSB-5	1			B9740	
004-1		651364-1	SWITCH TG573FSB-5	1	<	B9740		
005		644803-8	TERMINAL	1				
006		231951-8	RING SPRING 11	1				
007		267085-1	FLAT WASHER 12	1				
008		233005-7	COMPRESSION SPRING 13	1				
009		162257-2	SLEEVE	1				
010		142055-0	HAMMER CASE COMPLETE	1			B5535	
010-1		144474-6	HAMMER CASE COMPLETE	1	<	B5535	B6841	
010-2		144474-6	HAMMER CASE COMPLETE	1	<	B6841		
011		265145-3	+ PAN HEAD SCREW M4X22	4				
012		261108-7	NYLON WASHER 14	1				
013		216001-0	STEEL BALL 3.5	2				
014		326287-9	ANVIL N	1				
015		326282-9	HAMMER A	1			B4712	
015-1		123898-9	HAMMER ASSEMBLY A	1	X	B4712		
	C10	326282-9	HAMMER A	1		B4712		
	D10		INC. 16-20,25			B4712		
016		216001-0	STEEL BALL 3.5	24				
017		267175-0	FLAT WASHER 24	1				
018		234294-7	COMPRESSION SPRING 26	1			B3753	
018-1		232341-8	COMPRESSION SPRING 26	1	<	B3753		
019		267851-6	CUP WASHER 14	1				
020		326286-1	SPINDLE	1				
021		227321-7	SPUR GEAR 16	2				
022		268217-3	PIN 3.5	2				
023		267104-3	FLAT WASHER 12	1				
024		227318-6	INTERNAL GEAR 39	1			B6161	
024-1		221535-0	INTERNAL GEAR 39	1	<	B6161	B6739	
024-2		221535-0	INTERNAL GEAR 39	1	O	B6739		
025		216011-7	STEEL BALL 5.6	2				
026		211136-2	BALL BEARING 6801LLB	1				
027		454414-9	INTERNAL GEAR CASE	1				
028		638396-5	YOKE UNIT	1				
029		619326-5	ARMATURE	1				
030		632A91-5	BRUSH HOLDER COMPLETE	1			C6032	
	D10		INC. 31				C6032	
030-1		632N42-6	BRUSH HOLDER COMPLETE	1	S	C6032		
031		689181-9	SPACER	2			C6032	
032		195021-6	CARBON BRUSH SET CB-440	1			B4419	
032-1		196855-0	CARBON BRUSH CB-448	1	<	B4419	C6032	
032-2		198887-3	CARBON BRUSH CB-5	1	S	C6032		
033		187646-0	HOUSING SET	1			C4396	
	C10	263005-3	RUBBER PIN 6	2			C4396	
	D10		INC. 1				C4396	
033-1		183K96-3	HOUSING SET	1	<	C4396		
	C10	263005-3	RUBBER PIN 6	2		C4396		
	D10		INC. 1			C4396		
034		620212-5	LED CIRCUIT	1				
035		263032-0	RUBBER PIN 4	2				
036-1		455357-8	REAR COVER	1				
037		266816-5	+ PAN HEAD SCREW M3X12 WITH WR	2				
038		265095-2	PAN HEAD SCREW M3X20	7				
039		263036-2	RUBBER PIN 5	1				
040		268184-2	PIN 1.5	1				
041		142063-1	SWITCH PLATE BLUE COMPLETE	1				

Interchange
O : Yes
X : No
< : the new part can be substituted for the current.
> : the current part can be substituted for the new.
S : Interchangeable as a set.

