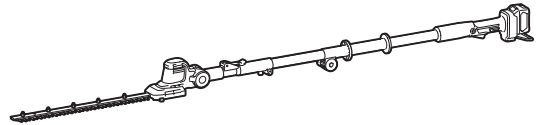




EN	Cordless Pole Hedge Trimmer	INSTRUCTION MANUAL	6
ZHCN	充电式高枝绿篱机	使用说明书	16
ID	Alat Pemotong Tanaman Pagar Tanpa Kabel	PETUNJUK PENGGUNAAN	27
MS	Pemangkas Tanaman Pagar Tiang Tanpa Kord	MANUAL ARAHAN	39
VI	Máy Cắt Tia Hàng Rào Cắm Tay Hoạt Động Bằng Pin	TÀI LIỆU HƯỚNG DẪN	51
TH	เครื่องตัดแต่งพุ่มไม้สูงไร้สาย	คู่มือการใช้งาน	62

UN460WD



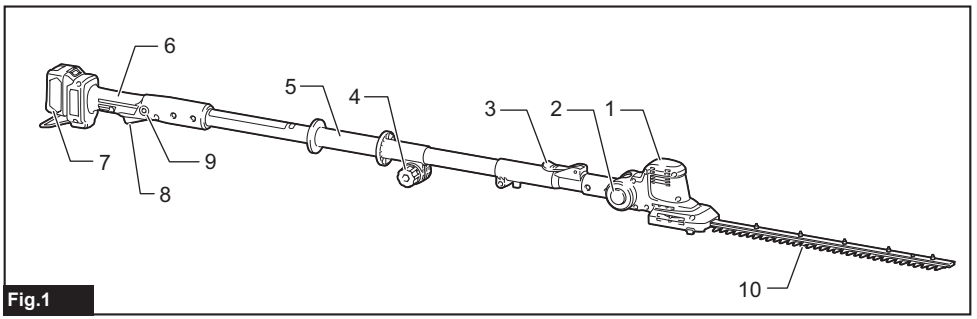


Fig.1

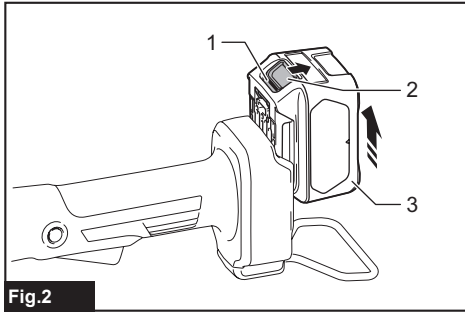


Fig.2

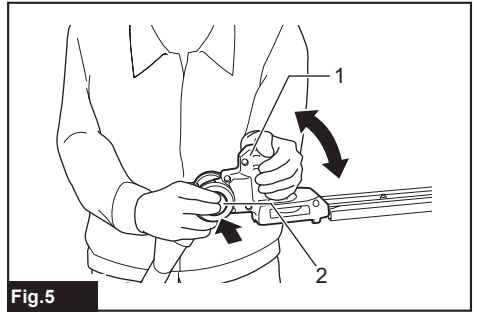


Fig.5

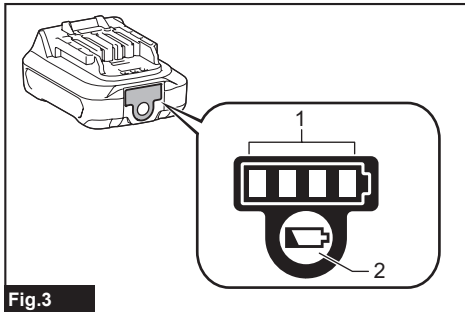


Fig.3

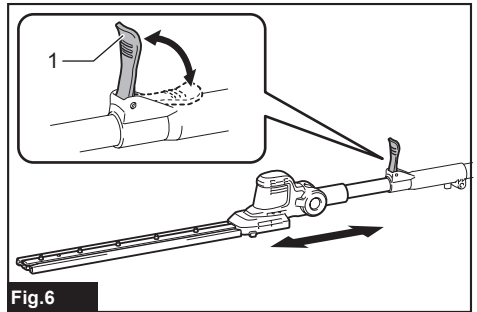


Fig.6

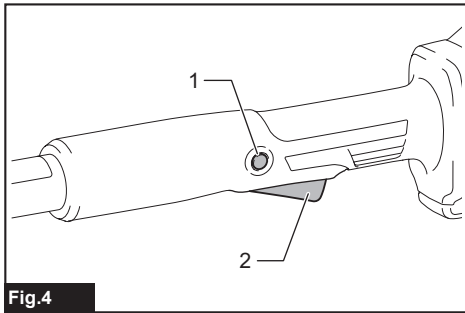


Fig.4

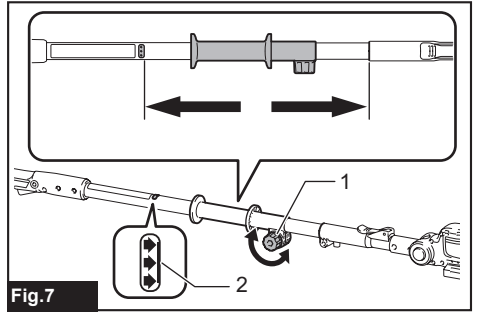
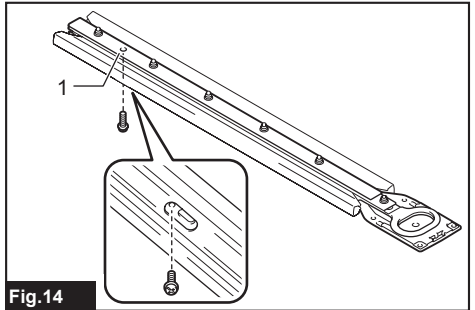
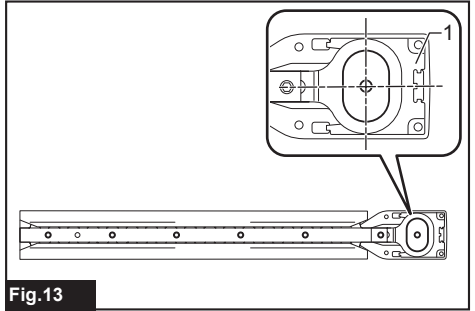
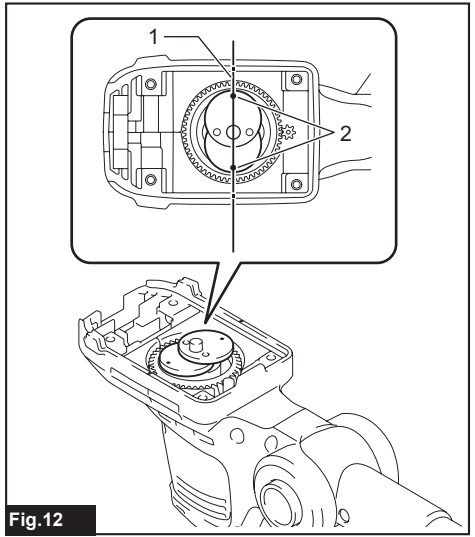
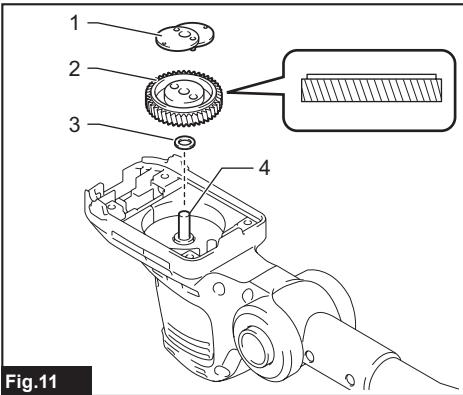
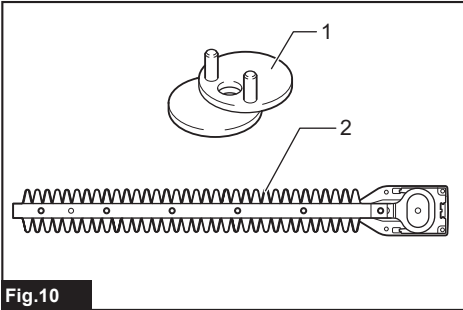
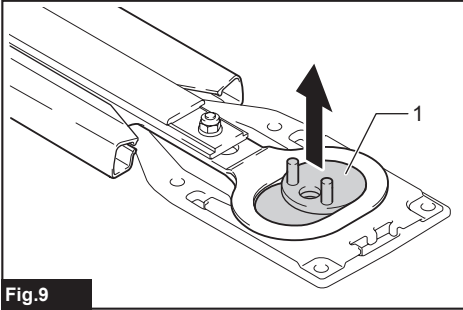
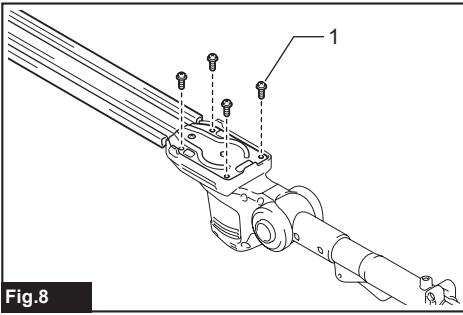


Fig.7



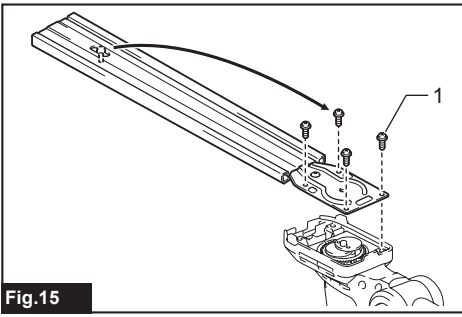


Fig. 15

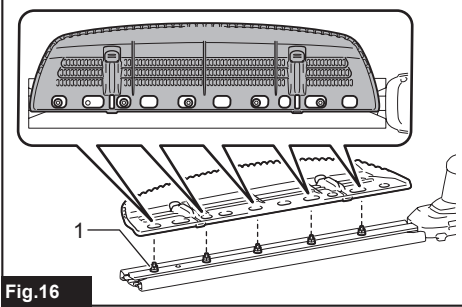


Fig. 16

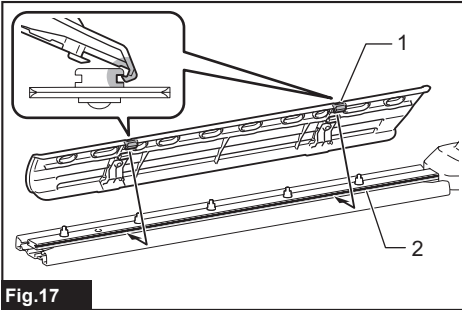


Fig. 17

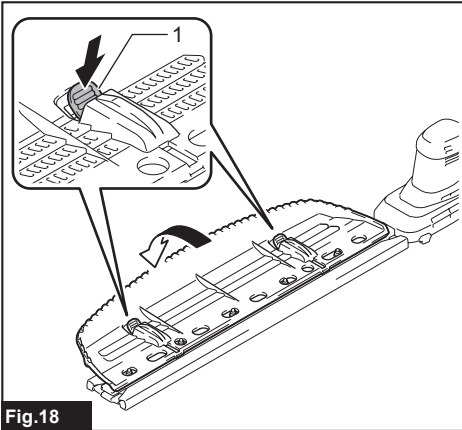


Fig. 18

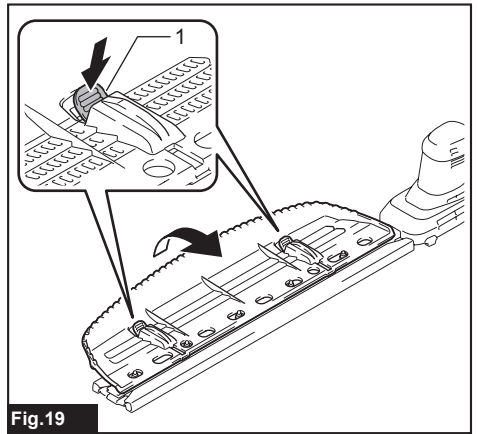


Fig. 19

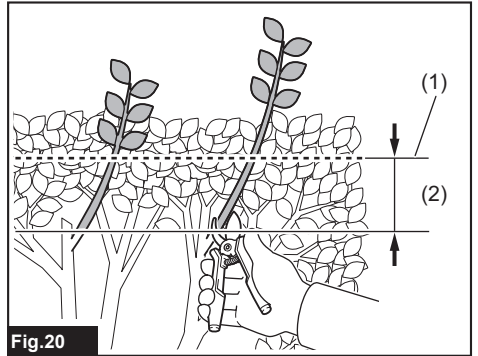


Fig. 20

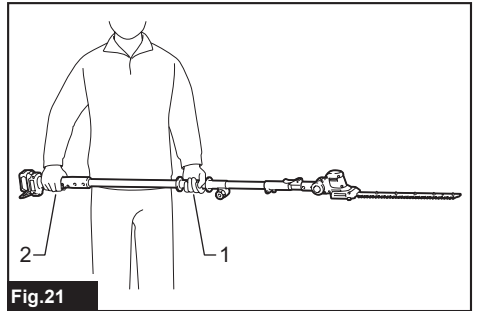


Fig. 21

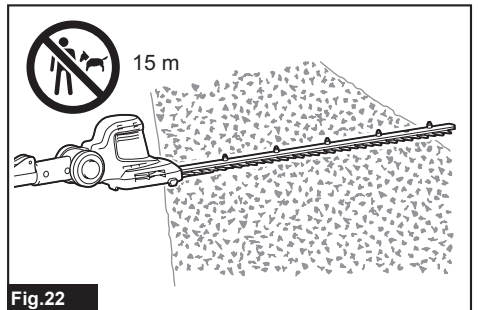
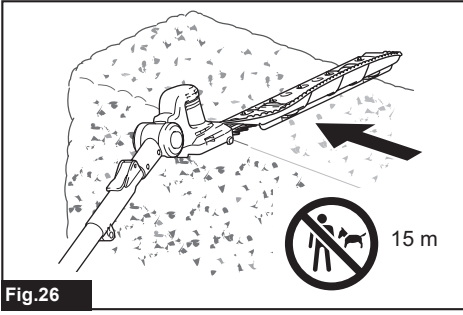
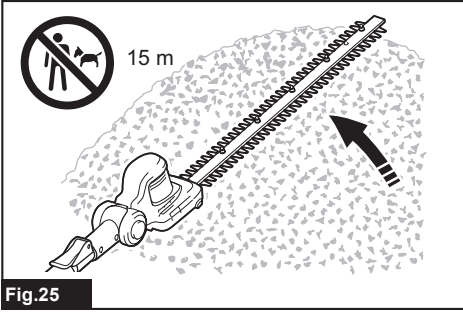
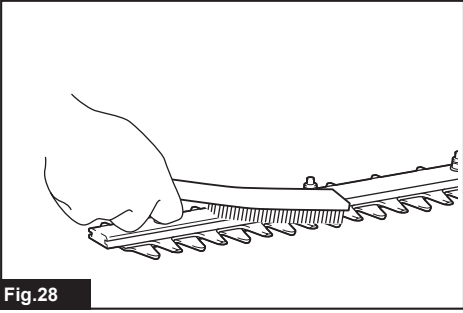
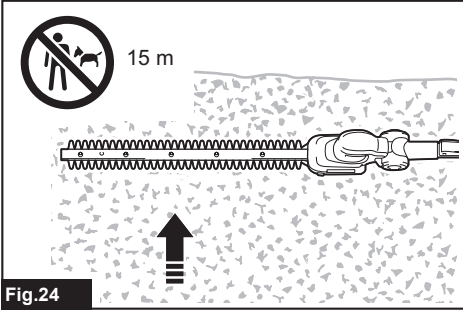
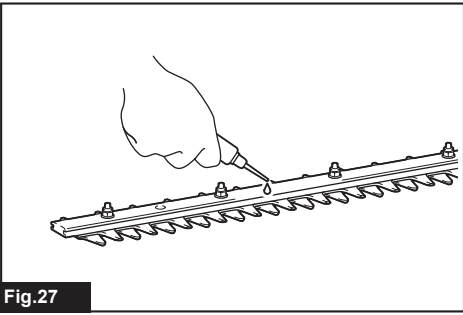
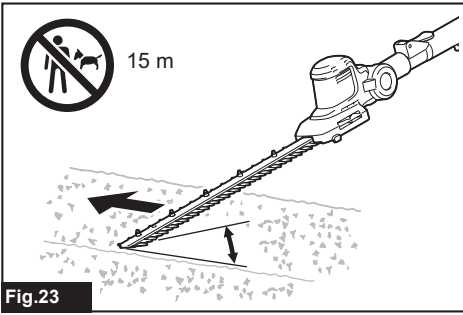


Fig. 22



SPECIFICATIONS

Model:	UN460WD
Blade length	460 mm
Strokes per minute	3,600 min ⁻¹
Cutting blade angle	135° (up 60°, down 75°)
Overall length	1,889 - 2,511 mm
Rated voltage	D.C. 10.8 V - 12 V max
Net weight	2.8 - 3.0 kg

- Due to our continuing program of research and development, the specifications herein are subject to change without notice.
- Specifications may differ from country to country.
- The weight may differ depending on the attachment(s), including the battery cartridge. The lightest and heaviest combination, according to EPTA-Procedure 01/2014, are shown in the table.

Applicable battery cartridge and charger





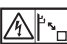
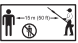
Battery cartridge	BL1016 / BL1021B / BL1041B
Charger	DC10SA / DC10SB / DC10WC / DC10WD / DC18RE

- Some of the battery cartridges and chargers listed above may not be available depending on your region of residence.

⚠ WARNING: Only use the battery cartridges and chargers listed above. Use of any other battery cartridges and chargers may cause injury and/or fire.

Symbols

The followings show the symbols which may be used for the equipment. Be sure that you understand their meaning before use.

	Read instruction manual.
	Do not expose to moisture.
	Wear a helmet, goggles and ear protection.
	DANGER - Keep hands away from blade.
	Beware of electrical lines, risk of electrical shock.
	Keep distance at least 15 m.



Only for EU countries
 Due to the presence of hazardous components in the equipment, waste electrical and electronic equipment, accumulators and batteries may have a negative impact on the environment and human health. Do not dispose of electrical and electronic appliances or batteries with household waste!

In accordance with the European Directive on waste electrical and electronic equipment and on accumulators and batteries and waste accumulators and batteries, as well as their adaptation to national law, waste electrical equipment, batteries and accumulators should be stored separately and delivered to a separate collection point for municipal waste, operating in accordance with the regulations on environmental protection.

This is indicated by the symbol of the crossed-out wheeled bin placed on the equipment.



Guaranteed sound power level according to EU Outdoor Noise Directive.



Sound power level according to Australia NSW Noise Control Regulation

Intended use

The tool is intended for trimming hedges.

SAFETY WARNINGS

General power tool safety warnings

⚠ WARNING: Read all safety warnings, instructions, illustrations and specifications provided with this power tool. Failure to follow all instructions listed below may result in electric shock, fire and/or serious injury.

Save all warnings and instructions for future reference.

The term "power tool" in the warnings refers to your mains-operated (corded) power tool or battery-operated (cordless) power tool.

Work area safety

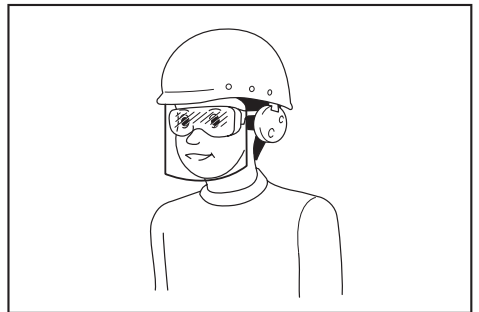
1. **Keep work area clean and well lit.** Cluttered or dark areas invite accidents.
2. **Do not operate power tools in explosive atmospheres, such as in the presence of flammable liquids, gases or dust.** Power tools create sparks which may ignite the dust or fumes.
3. **Keep children and bystanders away while operating a power tool.** Distractions can cause you to lose control.

Electrical safety

1. **Power tool plugs must match the outlet. Never modify the plug in any way. Do not use any adapter plugs with earthed (grounded) power tools.** Unmodified plugs and matching outlets will reduce risk of electric shock.
2. **Avoid body contact with earthed or grounded surfaces, such as pipes, radiators, ranges and refrigerators.** There is an increased risk of electric shock if your body is earthed or grounded.
3. **Do not expose power tools to rain or wet conditions.** Water entering a power tool will increase the risk of electric shock.
4. **Do not abuse the cord. Never use the cord for carrying, pulling or unplugging the power tool. Keep cord away from heat, oil, sharp edges or moving parts.** Damaged or entangled cords increase the risk of electric shock.
5. **When operating a power tool outdoors, use an extension cord suitable for outdoor use.** Use of a cord suitable for outdoor use reduces the risk of electric shock.
6. **If operating a power tool in a damp location is unavoidable, use a residual current device (RCD) protected supply.** Use of an RCD reduces the risk of electric shock.
7. **Power tools can produce electromagnetic fields (EMF) that are not harmful to the user.** However, users of pacemakers and other similar medical devices should contact the maker of their device and/or doctor for advice before operating this power tool.

Personal safety

1. **Stay alert, watch what you are doing and use common sense when operating a power tool. Do not use a power tool while you are tired or under the influence of drugs, alcohol or medication.** A moment of inattention while operating power tools may result in serious personal injury.
2. **Use personal protective equipment. Always wear eye protection.** Protective equipment such as a dust mask, non-skid safety shoes, hard hat or hearing protection used for appropriate conditions will reduce personal injuries.
3. **Prevent unintentional starting. Ensure the switch is in the off-position before connecting to power source and/or battery pack, picking up or carrying the tool.** Carrying power tools with your finger on the switch or energising power tools that have the switch on invites accidents.
4. **Remove any adjusting key or wrench before turning the power tool on.** A wrench or a key left attached to a rotating part of the power tool may result in personal injury.
5. **Do not overreach. Keep proper footing and balance at all times.** This enables better control of the power tool in unexpected situations.
6. **Dress properly. Do not wear loose clothing or jewellery. Keep your hair and clothing away from moving parts.** Loose clothes, jewellery or long hair can be caught in moving parts.
7. **If devices are provided for the connection of dust extraction and collection facilities, ensure these are connected and properly used.** Use of dust collection can reduce dust-related hazards.
8. **Do not let familiarity gained from frequent use of tools allow you to become complacent and ignore tool safety principles.** A careless action can cause severe injury within a fraction of a second.
9. **Always wear protective goggles to protect your eyes from injury when using power tools. The goggles must comply with ANSI Z87.1 in the USA, EN 166 in Europe, or AS/NZS 1336 in Australia/New Zealand. In Australia/New Zealand, it is legally required to wear a face shield to protect your face, too.**



It is an employer's responsibility to enforce the use of appropriate safety protective equipments by the tool operators and by other persons in the immediate working area.

Power tool use and care

1. **Do not force the power tool. Use the correct power tool for your application.** The correct power tool will do the job better and safer at the rate for which it was designed.
2. **Do not use the power tool if the switch does not turn it on and off.** Any power tool that cannot be controlled with the switch is dangerous and must be repaired.
3. **Disconnect the plug from the power source and/or remove the battery pack, if detachable, from the power tool before making any adjustments, changing accessories, or storing power tools.** Such preventive safety measures reduce the risk of starting the power tool accidentally.
4. **Store idle power tools out of the reach of children and do not allow persons unfamiliar with the power tool or these instructions to operate the power tool.** Power tools are dangerous in the hands of untrained users.
5. **Maintain power tools and accessories. Check for misalignment or binding of moving parts, breakage of parts and any other condition that may affect the power tool's operation. If damaged, have the power tool repaired before use.** Many accidents are caused by poorly maintained power tools.
6. **Keep cutting tools sharp and clean.** Properly maintained cutting tools with sharp cutting edges are less likely to bind and are easier to control.
7. **Use the power tool, accessories and tool bits etc. in accordance with these instructions, taking into account the working conditions and the work to be performed.** Use of the power tool for operations different from those intended could result in a hazardous situation.
8. **Keep handles and grasping surfaces dry, clean and free from oil and grease.** Slippery handles and grasping surfaces do not allow for safe handling and control of the tool in unexpected situations.
9. **When using the tool, do not wear cloth work gloves which may be entangled.** The entanglement of cloth work gloves in the moving parts may result in personal injury.

Battery tool use and care

1. **Recharge only with the charger specified by the manufacturer.** A charger that is suitable for one type of battery pack may create a risk of fire when used with another battery pack.
2. **Use power tools only with specifically designated battery packs.** Use of any other battery packs may create a risk of injury and fire.
3. **When battery pack is not in use, keep it away from other metal objects, like paper clips, coins, keys, nails, screws or other small metal objects, that can make a connection from one terminal to another.** Shorting the battery terminals together may cause burns or a fire.
4. **Under abusive conditions, liquid may be ejected from the battery; avoid contact. If contact accidentally occurs, flush with water. If liquid contacts eyes, additionally seek medical help.** Liquid ejected from the battery may cause irritation or burns.

5. **Do not use a battery pack or tool that is damaged or modified.** Damaged or modified batteries may exhibit unpredictable behaviour resulting in fire, explosion or risk of injury.
6. **Do not expose a battery pack or tool to fire or excessive temperature.** Exposure to fire or temperature above 130 °C may cause explosion.
7. **Follow all charging instructions and do not charge the battery pack or tool outside the temperature range specified in the instructions.** Charging improperly or at temperatures outside the specified range may damage the battery and increase the risk of fire.

Service

1. **Have your power tool serviced by a qualified repair person using only identical replacement parts.** This will ensure that the safety of the power tool is maintained.
2. **Never service damaged battery packs.** Service of battery packs should only be performed by the manufacturer or authorized service providers.
3. **Follow instruction for lubricating and changing accessories.**

Cordless Pole Hedge Trimmer Safety Warnings

1. **Keep all parts of the body away from the blade. Do not remove cut material or hold material to be cut when blades are moving.** Blades continue to move after the switch is turned off. A moment of inattention while operating the hedge trimmer may result in serious personal injury.
2. **Carry the hedge trimmer by the handle with the blade stopped and taking care not to operate any power switch.** Proper carrying of the hedge trimmer will decrease the risk of inadvertent starting and resultant personal injury from the blades.
3. **When transporting or storing the hedge trimmer, always fit the blade cover.** Proper handling of the hedge trimmer will decrease the risk of personal injury from the blades.
4. **When clearing jammed material or servicing the unit, make sure all power switches are off and the battery pack is removed or disconnected.** Unexpected actuation of the hedge trimmer while clearing jammed material or servicing may result in serious personal injury.
5. **Hold the hedge trimmer by insulated gripping surfaces only, because the blade may contact hidden wiring.** Blades contacting a "live" wire may make exposed metal parts of the hedge trimmer "live" and could give the operator an electric shock.
6. **Keep all power cords and cables away from cutting area.** Power cords or cables may be hidden in hedges or bushes and can be accidentally cut by the blade.
7. **Do not use the hedge trimmer in bad weather conditions, especially when there is a risk of lightning.** This decreases the risk of being struck by lightning.

8. **To reduce the risk of electrocution, never use the pole hedge trimmer near any electrical power lines.** Contact with or use near power lines may cause serious injury or electric shock resulting in death.
9. **Always use two hands when operating the pole hedge trimmer.** Hold the pole hedge trimmer with both hands to avoid loss of control.
10. **Always use head protection when operating the pole hedge trimmer overhead.** Falling debris can result in serious personal injury.
4. **When touching blades or adjusting the blade angle, wear protective gloves.** Blades can cut bare hands severely.

Operation

1. **Always use two hands to operate the tool.** Using one hand could cause loss of control and result in serious personal injury.
2. **While operating the tool, always ensure that the operating position is safe and secure.** Overreaching with the tool, particularly from a ladder, is extremely dangerous. Do not work from anything wobbly or infirm.
3. **Do not simultaneously wear multiple belt harnesses and/or shoulder harnesses when operating the tool.**
4. **During operation, keep bystanders or animals at least 15 m away from the tool. Stop the tool as soon as someone approaches.**
5. **If cutting tool strikes any object or the tool starts making unusual noise or vibration, switch off the tool and remove the battery cartridge immediately and allow the tool to stop. And then take the following steps:**
 - inspect for damage
 - check for, and tighten, any loose parts
 - have any damaged parts replaced or repaired with genuine spare parts.
6. **Only use the tool for its intended purpose. Do not use the tool for any other purpose.**
7. **Switch off the tool and remove the battery cartridge before:**
 - cleaning or when clearing a blockage,
 - checking, carrying out maintenance or working on the tool,
 - adjusting the working position of the shear blades,
 - leaving the tool unattended.
8. **Ensure that the tool is correctly located in a designated working position before starting the tool.**
9. **Do not operate the tool with a damaged or excessively worn shear blades.**
10. **Always be aware of your surroundings and stay alert for possible hazards of which you may not be aware due to the noise of the tool.**
11. **Be careful not to accidentally contact a metal fence or other hard objects during operation.** The blade will break and may cause serious injury.
12. **Avoid unintentional starting. Do not carry the tool when the battery cartridge is installed and with finger on the switch. Make sure that the switch is off when installing the battery cartridge.**
13. **Do not grasp the exposed cutting blades or cutting edges when picking up or holding the tool.**
14. **Do not force the tool.** It will do the job better and with less likelihood of a risk of injury at the rate for which it was designed.
15. **Do not use the tool in the rain or in wet or very damp conditions.** The electric motor is not waterproof.
16. **Hold the tool firmly when using the tool.**

Additional Safety Instructions

Preparation

1. **THIS HEDGE TRIMMER CAN CAUSE SERIOUS INJURIES.** Read the instructions carefully for the correct handling, preparation, maintenance, starting and stopping of the tool. Become familiar with all controls and the proper use of the tool.
2. **Check the hedges and bushes for foreign objects, such as wire fences or hidden wiring before operating the tool.**
3. **The tool must not be used by children or young persons under 18 years of age.** Young persons over 16 years of age may be exempted from this restriction if they are undergoing training under the supervision of an expert.
4. **In the event of an emergency, switch off the tool and remove the battery cartridge immediately.**
5. **DANGER - Keep hands away from blade.** Contact with blade will result in serious personal injury.
6. **First-time users should have an experienced user show them how to use the tool.**
7. **Before operation, examine the work area for wire fences, stones, or other solid objects. They can damage the blades.**
8. **Use the tool only if you are in good physical condition.** If you are tired, your attention will be reduced. Be especially careful at the end of a working day. Perform all work calmly and carefully. The user is responsible for all damages to third parties.
9. **Before starting work, check to make sure that the tool is in good and safe working order. Ensure guards are fitted properly. The tool must not be used unless fully assembled.**
10. **Avoid dangerous environment. Don't use the tool in damp or wet locations or expose it to rain. Water entering the tool will increase the risk of electric shock.**

Personal protective equipment

1. **Work gloves of stout leather are part of the basic equipment of the tool and must always be worn when working with it. Also wear sturdy shoes with anti-skid soles.**
2. **Wear ear protection such as ear muffs to prevent hearing loss.**
3. **Wear protective goggles, safety helmet and protective gloves to protect yourself from flying debris or falling objects.**

17. Do not operate the tool at no-load unnecessarily.
18. Before checking the shear blades, taking care of faults, or removing foreign objects caught in the shear blades, always switch off the tool and remove the battery cartridge.
19. Never point the shear blades to yourself or others.
20. If the blades stop moving due to the stuck of foreign objects between the blades during operation, switch off the tool and remove the battery cartridge, and then remove the foreign objects using tools such as pliers. Removing the foreign objects by hand may cause an injury for the reason that the blades may move in reaction to removing the foreign objects.

Electrical and battery safety

1. **Avoid dangerous environment. Don't use the tool in dump or wet locations or expose it to rain.** Water entering the tool will increase the risk of electric shock.
2. **Do not dispose of the battery(ies) in a fire.** The cell may explode. Check with local codes for possible special disposal instructions.
3. **Do not open or mutilate the battery(ies).** Released electrolyte is corrosive and may cause damage to the eyes or skin. It may be toxic if swallowed.
4. **Do not charge battery in rain, or in wet locations.**
5. **Do not charge the battery outdoors.**
6. **Do not handle charger, including charger plug, and charger terminals with wet hands.**

Maintenance and storage

1. **When the tool is stopped for servicing, inspection or storage, switch off the tool and remove the battery cartridge, and make sure all moving parts have come to a stop. Allow the tool to cool before making any inspections, adjustment, etc.**
2. **Always allow the tool to cool down before storing.**
3. **When not in use, attach the blade cover to the tool and store the tool indoors in dry, and high locked-up place, out of reach of children.**
4. **Maintain the tool with care. Keep cutting edge sharp and clean for best performance and to reduce the risk of injury. Follow instructions for lubricating and changing accessories. Keep grips dry, clean, and free from oil and grease.**
5. **Check damaged parts. Before further use of the tool, any part which is damaged should be carefully checked to determine that it will operate properly and perform its intended function. Check for alignment of moving parts, binding of moving parts, breakage of parts, mounting and any other condition that may affect its operation. A guard or other part that is damaged should be properly repaired or replaced by your authorized service center.**
6. **Use genuine spare parts only.**

7. **When moving the tool to another location, including during work, always remove the battery cartridge and put the blade cover on the shear blades. Never carry or transport the tool with the blades running. Never grasp the blades with your hands.**
8. **Clean the tool and especially the shear blades after use, and before putting the tool into storage for extended periods. Lightly oil the shear blades and put on the blade cover.**
9. **Do not dispose of the battery(ies) in a fire. The cell may explode. Check with local codes for possible special disposal instructions.**
10. **Do not open or mutilate the battery(ies). Released electrolyte is corrosive and may cause damage to the eyes or skin. It may be toxic if swallowed.**
11. **Do not charge battery in rain, or in wet locations.**

SAVE THESE INSTRUCTIONS.

⚠WARNING: DO NOT let comfort or familiarity with product (gained from repeated use) replace strict adherence to safety rules for the subject product. MISUSE or failure to follow the safety rules stated in this instruction manual may cause serious personal injury.

Important safety instructions for battery cartridge

1. **Before using battery cartridge, read all instructions and cautionary markings on (1) battery charger, (2) battery, and (3) product using battery.**
2. **Do not disassemble or tamper with the battery cartridge.** It may result in a fire, excessive heat, or explosion.
3. **If operating time has become excessively shorter, stop operating immediately. It may result in a risk of overheating, possible burns and even an explosion.**
4. **If electrolyte gets into your eyes, rinse them out with clear water and seek medical attention right away. It may result in loss of your eyesight.**
5. **Do not short the battery cartridge:**
 - (1) **Do not touch the terminals with any conductive material.**
 - (2) **Avoid storing battery cartridge in a container with other metal objects such as nails, coins, etc.**
 - (3) **Do not expose battery cartridge to water or rain.**

A battery short can cause a large current flow, overheating, possible burns and even a breakdown.
6. **Do not store and use the tool and battery cartridge in locations where the temperature may reach or exceed 50 °C (122 °F).**
7. **Do not incinerate the battery cartridge even if it is severely damaged or is completely worn out. The battery cartridge can explode in a fire.**

8. **Do not nail, cut, crush, throw, drop the battery cartridge, or hit against a hard object to the battery cartridge.** Such conduct may result in a fire, excessive heat, or explosion.
9. **Do not use a damaged battery.**
10. **The contained lithium-ion batteries are subject to the Dangerous Goods Legislation requirements.**
For commercial transports e.g. by third parties, forwarding agents, special requirement on packaging and labeling must be observed.
For preparation of the item being shipped, consulting an expert for hazardous material is required.
Please also observe possibly more detailed national regulations.
Tape or mask off open contacts and pack up the battery in such a manner that it cannot move around in the packaging.
11. **When disposing the battery cartridge, remove it from the tool and dispose of it in a safe place. Follow your local regulations relating to disposal of battery.**
12. **Use the batteries only with the products specified by Makita.** Installing the batteries to non-compliant products may result in a fire, excessive heat, explosion, or leak of electrolyte.
13. **If the tool is not used for a long period of time, the battery must be removed from the tool.**
14. **During and after use, the battery cartridge may take on heat which can cause burns or low temperature burns. Pay attention to the handling of hot battery cartridges.**
15. **Do not touch the terminal of the tool immediately after use as it may get hot enough to cause burns.**
16. **Do not allow chips, dust, or soil stuck into the terminals, holes, and grooves of the battery cartridge.** It may result in poor performance or breakdown of the tool or battery cartridge.
17. **Unless the tool supports the use near high-voltage electrical power lines, do not use the battery cartridge near high-voltage electrical power lines.** It may result in a malfunction or breakdown of the tool or battery cartridge.
18. **Keep the battery away from children.**

SAVE THESE INSTRUCTIONS.

⚠ CAUTION: Only use genuine Makita batteries. Use of non-genuine Makita batteries, or batteries that have been altered, may result in the battery bursting causing fires, personal injury and damage. It will also void the Makita warranty for the Makita tool and charger.

Tips for maintaining maximum battery life

1. **Charge the battery cartridge before completely discharged. Always stop tool operation and charge the battery cartridge when you notice less tool power.**
2. **Never recharge a fully charged battery cartridge. Overcharging shortens the battery service life.**
3. **Charge the battery cartridge with room temperature at 10 °C - 40 °C (50 °F - 104 °F). Let a hot battery cartridge cool down before charging it.**
4. **When not using the battery cartridge, remove it from the tool or the charger.**

PARTS DESCRIPTION

► Fig.1

1	Head	2	Angle adjustment button	3	Lock-lever	4	Thumb nut
5	Front grip	6	Rear grip	7	Battery cartridge	8	Switch trigger
9	Lock-off button	10	Shear blades	-	-	-	-

FUNCTIONAL DESCRIPTION

⚠ CAUTION: Always be sure that the tool is switched off and the battery cartridge is removed before adjusting or checking function on the tool.

Installing or removing battery cartridge

⚠ CAUTION: Always switch off the tool before installing or removing of the battery cartridge.

⚠ CAUTION: Hold the tool and the battery cartridge firmly when installing or removing battery cartridge. Failure to hold the tool and the battery cartridge firmly may cause them to slip off your hands and result in damage to the tool and battery cartridge and a personal injury.

► Fig.2: 1. Red indicator 2. Button 3. Battery cartridge

To remove the battery cartridge, slide it from the tool while sliding the button on the front of the cartridge.

To install the battery cartridge, align the tongue on the battery cartridge with the groove in the housing and slip it into place. Insert it all the way until it locks in place with a little click. If you can see the red indicator as shown in the figure, it is not locked completely.

CAUTION: Always install the battery cartridge fully until the red indicator cannot be seen. If not, it may accidentally fall out of the tool, causing injury to you or someone around you.

CAUTION: Do not install the battery cartridge forcibly. If the cartridge does not slide in easily, it is not being inserted correctly.

Indicating the remaining battery capacity

Only for battery cartridges with the indicator

► Fig.3: 1. Indicator lamps 2. Check button

Press the check button on the battery cartridge to indicate the remaining battery capacity. The indicator lamps light up for a few seconds.

Indicator lamps		Remaining capacity
Lighted	Off	
■ ■ ■ ■	□	75% to 100%
■ ■ ■ □	□	50% to 75%
■ ■ □ □	□ □	25% to 50%
■ □ □ □	□ □ □ □	0% to 25%

NOTE: Depending on the conditions of use and the ambient temperature, the indication may differ slightly from the actual capacity.

Tool / battery protection system

The tool is equipped with a tool/battery protection system. This system automatically cuts off power to the motor to extend tool and battery life. The tool will automatically stop during operation if the tool or battery is placed under one of the following conditions:

Overloaded:

The tool is operated in a manner that causes it to draw an abnormally high current. In this situation, turn the tool off and stop the application that caused the tool to become overloaded. Then turn the tool on to restart. If the tool does not start, the battery is overheated. In this situation, let the battery cool before turning the tool on again.

Low battery voltage:

The remaining battery capacity is too low and the tool will not operate. If you turn the tool on, the motor runs again but stops soon. In this situation, remove and recharge the battery.

Switch action

WARNING: Before installing the battery cartridge into the tool, always check to see that the switch trigger actuates properly and returns to the "OFF" position when released.

WARNING: For your safety, this tool is equipped with the lock-off button which prevents the tool from unintended starting. Never use the tool if it starts when you pull the switch trigger without pressing the lock-off button. Ask your local Makita Service Center for repairs.

WARNING: Never disable the lock function or tape down the lock-off button.

NOTICE: Do not pull the switch trigger forcibly without pressing the lock-off button. The switch may break.

► Fig.4: 1. Lock-off button 2. Switch trigger

To prevent the switch trigger from being accidentally pulled, a lock-off button is provided.

To start the tool, press the lock-off button and pull the switch trigger. Release the switch trigger to stop. The lock-off button can be pressed from either the right or left side.

Adjusting the cutting angle

CAUTION: Always be sure that the tool is switched off before folding or unfolding the head.

CAUTION: When folding the head for carrying the tool or after using the tool, be sure to attach the blade cover before folding the head.

CAUTION: When folding the head, be careful not to pinch your fingers between the head and the tool body.

The angle of the head can be adjusted in 10 steps. To change the angle of the head, follow the steps below.

1. Hold the head and the tool body as shown in the figure.

► Fig.5: 1. Head 2. Angle adjustment button

2. Adjust the angle of the head while holding down the angle adjustment button, and then release the angle adjustment button.

3. Move the head slightly until it is locked with a click.

NOTE: Make sure that the head is securely locked before operating the tool.

Adjusting the pipe length

CAUTION: Always be sure that the tool is switched off before adjusting the pipe length.

CAUTION: When adjusting the pipe length, be sure to attach the blade cover before adjusting the pipe length.

CAUTION: When adjusting the pipe length, be careful not to pinch your fingers.

CAUTION: Make sure that the lock-lever is locked securely.

CAUTION: When adjusting the pipe length, lay the tool on its side. If you stand the tool upright, the head will come down suddenly, which may cause an injury.

Loosen the lock-lever, then adjust the length of the pipe, and then lock the lock-lever.

► Fig.6: 1. Lock-lever

Adjusting the front grip position

CAUTION: Always be sure that the tool is switched off before adjusting the position of the front grip.

CAUTION: When adjusting the position of the front grip, be careful not to pinch your fingers.

CAUTION: Make sure that the thumb nut is tightened securely.

CAUTION: Do not move the front grip beyond the arrow mark.

To adjust the position of the front grip, loosen the thumb nut by turning it counterclockwise, then adjust the position of the front grip, and then tighten the thumb nut by turning it clockwise.

► Fig.7: 1. Thumb nut 2. Arrow mark

ASSEMBLY

CAUTION: Always be sure that the tool is switched off and the battery cartridge is removed before carrying out any work on the tool.

CAUTION: When replacing the shear blades, always wear gloves so that your hands do not directly contact the blades.

Installing or removing the shear blades

CAUTION: Attach the blade cover before removing or installing the shear blades.

NOTICE: When replacing the shear blades, do not wipe off grease from the gear and crank.

NOTE: Before installing or removing the shear blades, unfold the head of the tool so that the head is straight to the tool body.

1. Place the tool upside down.
2. Remove 4 screws with a screwdriver and remove the shear blades.
► Fig.8: 1. Screw
3. Remove the crank from the shear blades.
► Fig.9: 1. Crank

NOTE: The crank may remain in the tool.

4. Prepare the crank and new shear blades.
► Fig.10: 1. Crank 2. Shear blades
5. Remove the blade cover, and then attach it to the new shear blades.
6. Apply a small amount of grease to the periphery of the crank. Attach the washer, gear, and the crank to the pin in order.
► Fig.11: 1. Crank 2. Gear 3. Washer 4. Pin

7. Adjust the crank so that the 2 small holes on the crank are lined up on the alignment line as shown in the figure.

► Fig.12: 1. Alignment line 2. Small hole

8. Slide the shear blades so that the hole on the guide plate is positioned at the center of the rings of blades.

► Fig.13: 1. Guide plate

9. Insert the screw removed in step 2 into the hole on the shear blades through the hole on the blade cover.

► Fig.14: 1. Hole

10. Attach the shear blades to the tool, and then tighten 3 screws with the screwdriver.

► Fig.15: 1. Screw

11. Remove the screw inserted into the hole on the shear blades in step 9, and then tighten it to fix the shear blades.

NOTICE: If the shear blades do not operate properly, the blades are not engaging the crank properly. Remove the blades and install them again.

NOTICE: If the parts other than the shear blades such as the crank are worn out, ask Makita Authorized Service Centers for parts replacement or repairs.

Installing or removing the chip receiver

Optional accessory

CAUTION: When installing or removing the chip receiver, always wear gloves so that your hands do not directly contact the shear blades.

CAUTION: Attach the blade cover before installing or removing the chip receiver.

The chip receiver gathers discarded leaves and makes clean-up afterward much easier. It can be installed on either side of the tool.

1. Align the holes on the chip receiver with the nuts on the shear blades.

► Fig.16: 1. Nut

2. Hook the claws of the chip receiver to the groove on the shear blades.

► Fig.17: 1. Claw 2. Groove

3. Press the levers on the chip receiver, and then hook the claws on the other side to the groove on the shear blades.

► Fig.18: 1. Lever

To remove the chip receiver, press the levers to release the claws.

► Fig.19: 1. Lever

NOTICE: Never try to remove the chip receiver by an excessive force with its claws locked in the grooves of the shear blades.

OPERATION

Operating the tool

⚠ WARNING: Do not use the tool near any electrical power lines. Contacting with power lines or using the tool near power lines may cause serious injury or electric shock resulting in death.

⚠ WARNING: Keep hands away from shear blades.

⚠ WARNING: Be extremely careful to maintain control of the tool at all times. Do not allow the tool to be deflected toward you or anyone in the work vicinity. Failure to keep control of the tool could result in serious injury to the bystander and the operator.

⚠ CAUTION: Avoid operating the tool in very hot weather as much as practicable. When operating the tool, be careful of your physical condition.

⚠ CAUTION: Be careful not to accidentally contact a metal fence or other hard objects while trimming. The shear blades may break and cause an injury.

⚠ CAUTION: Be careful not to allow the shear blades to contact the ground. The tool may recoil and cause an injury.

⚠ CAUTION: Overreaching with a hedge trimmer, particularly from a ladder, is extremely dangerous. Do not work while standing on anything wobbly or infirm.

NOTICE: Do not attempt to cut branches thicker than 10 mm in diameter with the tool. Cut branches to 10 cm lower than the cutting height using branch cutters before using the tool.

► Fig.20: (1) Cutting height (2) 10 cm

NOTICE: Do not cut down dead trees or similar hard objects. Doing so may damage the tool.

NOTICE: Do not trim the grass or weeds while using the shear blades. The shear blades may become tangled in the grass or weeds.

Hold the tool with both hands by holding the front grip and the rear grip.

► Fig.21: 1. Front grip 2. Rear grip

Pull the switch trigger while pressing the lock-off button, and then move the tool forward.

► Fig.22

For basic operation, tilt the shear blades toward the trimming direction and move it calmly and slowly at the speed rate of 3 to 4 seconds per meter.

► Fig.23

To cut a hedge side evenly, cut from the bottom to top.

► Fig.24

When trimming to make a round shape (trimming box-wood or rhododendron, etc.), trim from the root to the top for a beautiful finish.

► Fig.25

If the chip receiver is attached to the shear blades, it gathers discarded leaves and makes clean-up afterward much easier.

► Fig.26

MAINTENANCE

⚠ CAUTION: Always be sure that the tool is switched off and the battery cartridge is removed before attempting to perform inspection or maintenance.

⚠ CAUTION: When inspecting or maintaining the tool, always put the tool down. Assembling or adjusting the tool in an upright position may result in serious injury.

To maintain product SAFETY and RELIABILITY, repairs, any other maintenance or adjustment should be performed by Makita Authorized or Factory Service Centers, always using Makita replacement parts.

Cleaning the tool

Clean the tool by wiping off dust with a dry cloth or one dipped in soapy water and wrung out.

NOTICE: Never use gasoline, benzine, thinner, alcohol or the like. Discoloration, deformation or cracks may result.

Shear blade maintenance

Before the operation or once per hour during operation, apply low-viscosity oil (machine oil, or spray-type lubricating oil) to the shear blades.

► Fig.27

After operation, remove dust from both sides of the shear blades with a wired brush, wipe it off with a cloth and then apply low-viscosity oil (machine oil, or spray-type lubricating oil) to the shear blades.

► Fig.28

NOTICE: Do not wash the shear blades in water.
Doing so may cause rust or damage to the tool.

NOTICE: Dirt and corrosion cause excessive blade friction and shorten the operating time per battery charge.

Storage

Attach the blade cover to the shear blades so that the blades are not exposed. Store the tool out of the reach of children. Store the tool in a place not exposed to moisture or rain.

TROUBLESHOOTING

Before asking for repairs, conduct your own inspection first. If you find a problem that is not explained in the manual, do not attempt to dismantle the tool. Instead, ask Makita Authorized Service Centers, always using Makita replacement parts for repairs.

State of abnormality	Probable cause (malfunction)	Remedy
Motor does not run.	Battery cartridge is not installed.	Install the battery cartridge.
	Battery problem (under voltage)	Recharge the battery. If recharging is not effective, replace battery.
	The drive system does not work correctly.	Ask your local authorized service center for repair.
Motor stops running after a little use, or motor does not run.	Battery's charge level is low.	Recharge the battery. If recharging is not effective, replace battery.
	Overheating.	Stop using of tool to allow it to cool down.
Tool does not reach maximum RPM.	Battery is installed improperly.	Install the battery cartridge as described in this manual.
	Battery power is dropping.	Recharge the battery. If recharging is not effective, replace battery.
	The drive system does not work correctly.	Ask your local authorized service center for repair.
Shear blades do not move: ⇒ stop the machine immediately!	Inappropriate angle of shear blades.	Make sure that the head is properly fixed in the operational angle.
	Foreign objects are caught between the shear blades.	Switch off the tool and remove the battery cartridge, and then remove the foreign objects using tools such as pliers.
	The drive system does not work correctly.	Ask your local authorized service center for repair.
Abnormal vibration: ⇒ stop the machine immediately!	Shear blades are broken, bent or worn.	Replace the shear blades.
	The drive system does not work correctly.	Ask your local authorized service center for repair.
Shear blades and motor cannot stop: ⇒ Remove the battery immediately!	Electric malfunction.	Remove the battery and ask your local authorized service center for repair.

OPTIONAL ACCESSORIES

CAUTION: These accessories or attachments are recommended for use with your Makita tool specified in this manual. The use of any other accessories or attachments might present a risk of injury to persons. Only use accessory or attachment for its stated purpose.

If you need any assistance for more details regarding these accessories, ask your local Makita Service Center.

- Shear blade assembly
- Chip receiver
- Grease vessel
- Makita genuine battery and charger

NOTE: Some items in the list may be included in the tool package as standard accessories. They may differ from country to country.

规格

型号:	UN460WD
刀片长度	460 mm
冲程速度	3,600 /min
刀片角度	135° (向上60°, 向下75°)
总长度	1,889 - 2,511 mm
额定电压	D.C. 10.8 V - 12 V (最大)
净重	2.8 - 3.0 kg

- 生产者保留变更规格不另行通知之权利。
- 规格可能因销往国家之不同而异。
- 重量因附件（包括电池组）而异。根据EPTA-Procedure 01/2014，最重与最轻的组合见表格。

适用电池组和充电器




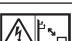

电池组	BL1016 / BL1021B / BL1041B
充电器	DC10SA / DC10SB / DC10WC / DC10WD / DC18RE

- 部分以上所列电池组和充电器是否适用视用户所在地区而异。

警告： 请仅使用以上所列电池组和充电器。使用其他类型的电池组或充电器可能会导致人身伤害和 / 或失火。

符号

以下显示本设备可能会使用的符号。在使用工具之前，请务必理解其含义。

	阅读使用说明书。
	勿暴露于潮湿环境。
	佩戴头盔、护目镜和耳罩。
	危险 - 手应远离刀片。
	小心电线，避免触电。
	保持最少15 m的距离。



仅限于欧盟国家
由于本设备中包含有害成分，因此废弃的电气和电子设备、蓄电池和普通电池可能会对环境和人体健康产生负面影响。请勿将电气和电子工具或电池与家庭普通废弃物放在一起处置！

根据欧洲关于废弃电气电子设备、蓄电池和普通电池、废弃的蓄电池和普通电池的指令及其国家层面的修订法案，废弃的电气设备、普通电池和蓄电池应当单独存放并递送至城市垃圾收集点，根据环保法规进行处置。

此规定由标有叉形标志的带轮垃圾桶符号表示。



保证声功率级别符合欧盟室外噪音指令。



声功率级别符合澳大利亚NSW噪音控制规定

用途

本工具用于修剪树篱。

安全警告

电动工具通用安全警告

警告： 阅读随电动工具提供的所有安全警告、说明、图示和规定。不遵照以下所列说明会导致电击、着火和 / 或严重伤害。

保存所有警告和说明书以备查阅。

警告中的术语“电动工具”是指市电驱动(有线)电动工具或电池驱动(无线)电动工具。

工作场地的安全

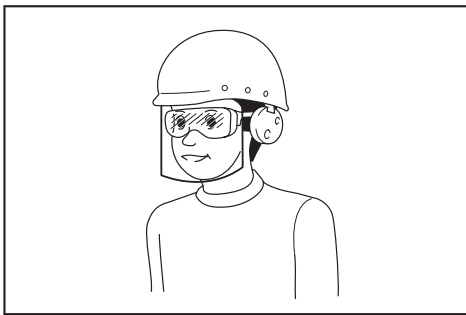
1. 保持工作场地清洁和明亮。杂乱和黑暗的场地会引发事故。
2. 不要在易爆环境，如有易燃液体、气体或粉尘的环境下操作电动工具。电动工具产生的火花会点燃粉尘或气体。
3. 操作电动工具时，远离儿童和旁观者。注意力不集中会使你失去对工具的控制。

电气安全

1. 电动工具插头必须与插座相配。绝不能以任何方式改装插头。需接地的电动工具不能使用任何转换插头。未经改装的插头和相配的插座将降低电击风险。
2. 避免人体接触接地表面，如管道、散热片和冰箱。如果你身体接触接地表面会增加电击风险。
3. 不得将电动工具暴露在雨中或潮湿环境中。水进入电动工具将增加电击风险。
4. 不得滥用软线。绝不能用软线搬运、拉动电动工具或拔出其插头。使软线远离热源、油、锐边或运动部件。受损或缠绕的软线会增加电击风险。
5. 当在户外使用电动工具时，使用适合户外使用的延长线。适合户外使用的电线将降低电击风险。
6. 如果无法避免在潮湿环境中操作电动工具，应使用带有剩余电流装置(RCD)保护的电源。RCD的使用可降低电击风险。
7. 电动工具会产生对用户无害的电磁场(EMF)。但是，起搏器和其他类似医疗设备的用户应在操作本电动工具前咨询其设备的制造商和 / 或医生寻求建议。

人身安全

1. 保持警觉，当操作电动工具时关注所从事的操作并保持清醒。当你感到疲倦，或在有药物、酒精或治疗反应时，不要操作电动工具。在操作电动工具时瞬间的疏忽会导致严重人身伤害。
2. 使用个人防护装置。始终佩戴护目镜。防护装置，诸如适当条件下使用防尘面具、防滑安全鞋、安全帽、听力防护等装置能减少人身伤害。
3. 防止意外启动。在连接电源和/或电池包、拿起或搬运工具前确保开关处于关断位置。手指放在开关上搬运工具或开关处于接通时通电会导致危险。
4. 在电动工具接通之前，拿掉所有调节钥匙或扳手。遗留在电动工具旋转零件上的扳手或钥匙会导致人身伤害。
5. 手不要过分伸展。时刻注意立足点和身体平衡。这样能在意外情况下能更好地控制住电动工具。
6. 着装适当。不要穿宽松衣服或佩戴饰品。让你的头发和衣服远离运动部件。宽松衣服、配饰或长发可能会卷入运动部件。
7. 如果提供了与排屑、集尘设备连接用的装置，要确保其连接完好且使用得当。使用集尘装置可降低尘屑引起的危险。
8. 不要因为频繁使用工具而产生的熟悉感而掉以轻心，忽视工具的安全准则。某个粗心的动作可能在瞬间导致严重的伤害。
9. 使用电动工具时请始终佩戴护目镜以免伤害眼睛。护目镜须符合美国ANSI Z87.1、欧洲EN 166或者澳大利亚 / 新西兰的AS / NZS 1336的规定。在澳大利亚 / 新西兰，法律要求佩戴面罩保护脸部。



雇主有责任监督工具操作者和其他近工作区域人员佩戴合适的安全防护设备。

电动工具使用和注意事项

1. 不要勉强使用电动工具，根据用途使用合适的电动工具。选用合适的按照额定值设计的电动工具会使你工作更有效、更安全。
2. 如果开关不能接通或关断电源，则不能使用该电动工具。不能通过开关来控制电动工具是危险的且必须进行修理。
3. 在进行任何调节、更换附件或贮存电动工具之前，必须从电源上拔掉插头和/或卸下电池包（如可拆卸）。这种防护性的安全措施降低了电动工具意外起动的风险。
4. 将闲置不用的电动工具贮存在儿童所及范围之外，并且不允许不熟悉电动工具和不了解这些说明的人操作电动工具。电动工具在未经培训的使用者手中是危险的。
5. 维护电动工具及其附件。检查运动部件是否调整到位或卡住，检查零件破损情况和影响电动工具运行的其他状况。如有损坏，应在使用前修理好电动工具。许多事故是由维护不良的电动工具引发的。
6. 保持切削刀具锋利和清洁。维护良好地有锋利切削刃的刀具不易卡住而且容易控制。
7. 按照使用说明书，并考虑作业条件和要进行的作业来选择电动工具、附件和工具的刀头等。将电动工具用于那些与其用途不符的操作可能会导致危险情况。
8. 保持手柄和握持表面干燥、清洁，不得沾有油脂。在意外的情况下，湿滑的手柄不能保证握持的安全和对工具的控制。
9. 使用本工具时，请勿佩戴可能会缠绕的布质工作手套。布质工作手套卷入移动部件可能会造成人身伤害。

电池式工具使用和注意事项

1. 仅使用生产者规定的充电器充电。将适用于某种电池包的充电器用到其他电池包时可能会发生着火危险。
2. 仅使用配有专用电池包的电动工具。使用其他电池包可能会产生伤害和着火危险。
3. 当电池包不用时，将它远离其他金属物体，例如回形针、硬币、钥匙、钉子、螺钉或其他小金属物体，以防电池包一端与另一端连接。电池组端部短路可能会引起燃烧或着火。

4. 在滥用条件下，液体可能会从电池组中溅出；应避免接触。如果意外碰到液体，用水冲洗。如果液体碰到了眼睛，还应寻求医疗帮助。从电池中溅出的液体可能会发生腐蚀或燃烧。
5. 不要使用损坏或改装过的电池包或工具。损坏或改装过的电池组可能呈现无法预测的结果，导致着火、爆炸或伤害。
6. 不要将电池包暴露于火或高温中。电池包暴露于火或高于130℃的高温中可能导致爆炸。
7. 遵循所有充电说明。不要在说明书中指定的温度范围之外给电池包或电动工具充电。不正确或在指定的温度范围外充电可能会损坏电池和增加着火的风险。

维修

1. 让专业维修人员使用相同的备件维修电动工具。这将保证所维修的电动工具的安全。
2. 决不能维修损坏的电池包。电池包仅能由生产者或其授权的维修服务商进行维修。
3. 上润滑油及更换附件时请遵循本说明书指示。

充电式高枝绿篱机使用安全警告

1. 使身体各部位与刀片保持一定距离。当刀片正在移动时，请勿移开切割材料或按住要切割的材料。关闭开关后刀片还会继续移动。在操作篱笆修剪机期间，分心可能会导致严重的人身伤害。
2. 在刀片停止后利用把手搬动篱笆修剪机，同时注意不要操作任何电源开关。正确操作篱笆修剪机可降低因意外启动和刀片造成人身伤害的风险。
3. 运输或存放篱笆修剪机时，请务必盖上刀片罩。正确操作篱笆修剪机可降低由刀片造成的人身伤害风险。
4. 在清除卡住的材料或维修装置时，请确保所有电源开关均已关闭，并且电池组已取出或已断开连接。清除卡住的材料或维修装置时，若篱笆修剪机意外启动可能会造成严重的人员伤害。
5. 由于刀片可能会接触到隐藏的电线，因此操作篱笆修剪机时仅可抓握绝缘把手。刀片接触到“带电”的电线时，篱笆修剪机上曝露的金属部分可能也会“带电”，并使操作者触电。
6. 确保所有电源线和电缆远离切割区域。电源线或电缆可能会隐藏在绿篱和灌木中，因而可能会被刀片意外割断。

7. 请勿在恶劣天气尤其是雷电天气条件下使用篱笆修剪机。这可降低雷击风险。
8. 为降低触电风险，切勿在任何电源线附近使用高枝绿篱机。接触或在电源线附近使用可能会造成严重的人身伤害或触电致死。
9. 请务必双手操作高枝绿篱机。双手握持高枝绿篱机以避免其失控。
10. 在头部上方位置操作高枝绿篱机时，请务必使用头部保护装置。跌落碎片可能会造成严重的人身伤害。
3. 请佩戴护目镜、安全头盔和防护手套以免受飞溅碎片或掉落物体的伤害。
4. 接触刀片或调节刀片角度时，请佩戴防护手套。裸手操作时，会被刀片严重割伤。

操作

1. 务必用双手操作工具。单手操作会导致失控并造成严重的人身伤害。
2. 操作工具时，应始终确保操作位置安全可靠。抓握工具探身修剪难以触及的物体（特别是在梯子上的时候）会相当危险。请勿在摇晃或不稳的物体上工作。
3. 操作本工具时，请勿同时佩戴多条腰带和/或肩带。
4. 操作期间，请使旁观者或动物远离工具至少**15 m**的距离。有人接近时，请立即停止工具。
5. 若切割工具与某物体碰撞或者工具出现异常噪音或震动，请立即关闭工具并取出电池组，使工具停止运转。然后执行以下操作步骤：
 - 检查损伤
 - 检查并拧紧松散的部件
 - 维修或者使用原厂备件更换已损坏的部件。
6. 只能将本工具用于其预期用途。请勿用于其他用途。
7. 在进行以下操作之前，请关闭工具并取下电池组：
 - 清洁或清除堵塞物，
 - 对工具进行检查、保养或操作，
 - 调节刀片的工作位置，
 - 将工具置于无人照看的区域。
8. 启动工具之前，确保工具正确位于指定的工作位置。
9. 请勿使用刀片已损坏或过度磨损的工具。
10. 请时刻注意周围情况，对于因受工具噪音干扰可能无法察觉的危险应保持警惕。
11. 操作期间请小心不要意外接触金属围栏或其他硬物。否则刀片会断裂并可能造成严重的人身伤害。
12. 避免意外启动。安装电池组且手指放置于开关上时请勿搬运工具。安装电池组时，请确保开关处于关闭状态。
13. 拾起或握住工具时，请勿抓握外露的刀片或刀刃。
14. 不要强力按压工具。在设计额定功率下使用设备可更好地完成工作并能降低人身伤害风险。

附加安全说明

准备

1. 此篱笆修剪机可能会造成严重伤害。请仔细阅读说明，了解如何正确搬运、准备、保养、启动和停止工具。熟悉控制和本工具的正确操作。
2. 操作工具前，检查绿篱和灌木是否有铁丝网或隐藏电线等异物。
3. 儿童或不满**18岁**的少年不得使用绿篱机。超过**16岁**的少年如果在专业人士的监管下接受过培训则可以免受该限制。
4. 出现紧急状况时，请立刻关闭本工具并取出电池组。
5. 危险：手应远离刀片。接触刀片将会造成严重的人身伤害。
6. 用户首次使用时，应委托有经验的用户为其展示如何使用本工具。
7. 操作前，请检查工作区域是否有铁丝网、石子或其他坚硬物体。此类物体会损伤刀片。
8. 请仅在身体状态良好的情况下使用绿篱机。疲惫会导致使用者注意力降低。在一天的工作快结束时应特别注意这一点。应锁定、谨慎地完成所有工作。给第三方造成的所有损失由用户负责。
9. 开始工作之前，请检查确认绿篱机处于良好和安全的工作状态。确保保护罩安装到位。在完全安装到位前不得使用绿篱机。
10. 避免危险的环境。请勿在潮湿或淋雨环境下使用工具。工具受潮将增加触电的危险。

个人防护设备

1. 结实的皮革工作手套是操作绿篱机时的基本装备之一，在操作绿篱机时必须始终佩戴。同时应穿戴具有防滑底的结实靴。
2. 请佩戴耳罩等护耳设备以免听力受损。

15. 请勿在雨中、水中或十分潮湿的环境下使用本工具。电机不防水。
16. 使用工具时将其握牢。
17. 如无必要，请勿在空载状态下操作工具。
18. 检查刀片、处理故障或取出卡在刀片上的异物之前，请务必关闭工具并取出电池组。
19. 切勿将刀片对准自身或其他人员。
20. 倘若在操作时因刀片之间卡入异物导致刀片停止运转，应关闭工具并取下电池组，然后使用钳子等工具清除异物。用手清除异物可能会造成人身伤害，因在清除异物时刀片可能会移动。

电气和电池安全


1. 避免危险的环境。请勿在潮湿或淋雨的环境下使用工具。工具受潮将增加触电的危险。
2. 请勿将电池弃于火中。否则会引起电池爆炸。请查阅当地法规了解适当的特殊处理说明。
3. 请勿打开或拆解电池。溢出的电解质具有腐蚀性，可能会对眼睛或皮肤造成损伤。吞服则有致毒危险。
4. 请勿在雨中或潮湿的地方充电。
5. 勿在室外对电池充电。
6. 请勿用湿手操作充电器，包括充电器插头和充电器端子。

保养和存放

1. 将工具停止以对其维修、检查或存放时，请关闭工具并取出电池组，同时确保所有运动部件均已停止移动。在进行检查、调整等操作之前，请等待工具冷却。
2. 存放工具前，务必使工具冷却。
3. 不使用工具时，请将刀片罩安装在工具上，然后将工具存放在室内干燥的高处并加锁，避免儿童接触。
4. 小心保养工具。保持刀刃锋利、清洁以达到最佳切削效果，并降低受伤风险。根据说明进行润滑和更换附件。保持把手干燥、清洁，无油污和润滑脂。
5. 检查有无损坏部件。在进一步使用本工具之前，应仔细检查有无部件损坏，以确定工具可正常运转并执行其预期功能。检查运动部件是否有错位或粘连、破损，安装是否妥当以及其他可能会影响工具运行的情况。受损的保护罩或其他部件应由授权维修中心进行修复或更换。
6. 只能使用原厂备件。

7. 将本工具移至另一个位置时（包括工作期间），请务必拆下电池组并为刀片盖上刀片罩。切勿在刀片运转的情况下移动或搬运本工具。切勿用手抓握刀片。
8. 使用本工具之后以及需要长期存放本工具之前，请清洁本工具（特别是刀片）。在刀片上涂抹少量的油，然后盖上刀片罩。
9. 请勿将电池弃于火中。否则会引起电池爆炸。请查阅当地法规了解适当的特殊处理说明。
10. 请勿打开或拆解电池。溢出的电解质具有腐蚀性，可能会对眼睛或皮肤造成损伤。吞服则有致毒危险。
11. 请勿在雨中或潮湿的地方充电。

请保留此说明书。

 **警告：** 请勿为图方便或因对产品足够熟悉（由于重复使用而获得的经验）而不严格遵循相关产品安全规则。使用不当或不遵循使用说明书中的安全规则会导致严重的人身伤害。

电池组的重要安全注意事项

1. 在使用电池组之前，请仔细阅读所有的说明以及 (1) 电池充电器，(2) 电池，以及 (3) 使用电池的产品上的警告标记。
2. 切勿拆卸或改装电池组。否则可能引起火灾、过热或爆炸。
3. 如果机器运行时间变得过短，请立即停止使用。否则可能会导致过热、起火甚至爆炸。
4. 如果电解液进入您的眼睛，用清水将其冲洗干净并立即就医。否则可能会导致视力受损。
5. 请勿使电池组短路：
 - (1) 请勿使任何导电材料碰到端子。
 - (2) 避免将电池组与其他金属物品如钉子、硬币等放置在同一容器内。
 - (3) 请勿将电池组置于水中或使其淋雨。电池短路将产生大的电流，导致过热，并可能导致起火甚至击穿。
6. 请勿在温度可能达到或超过50°C (122°F) 的场所存放以及使用工具和电池组。
7. 即使电池组已经严重损坏或完全磨损，也请勿焚烧电池组。电池组会在火中爆炸。
8. 请勿对电池组射钉，或者切削、挤压、抛掷、掉落电池组，又或者用硬物撞击电池组。否则可能引起火灾、过热或爆炸。
9. 请勿使用损坏的电池。

10. 本工具附带的锂离子电池需符合危险品法规要求。

第三方或转运营代理等进行商业运输时，应遵循包装和标识方面的特殊要求。有关运输项目的准备作业，咨询危险品方面的专业人士。同时，请遵守可能更为详尽的国家法规。

请使用胶带保护且勿遮掩表面的联络信息，并牢固封装电池，使电池在包装内不可动。

11. 丢弃电池组时，需将其从工具上卸下并在安全地带进行处理。关于如何处理废弃的电池，请遵循当地法规。
12. 仅将电池用于Makita（牧田）指定的产品。将电池安装至不兼容的产品会导致起火、过热、爆炸或电解液泄漏。
13. 如长时间未使用工具，必须将电池从工具内取出。
14. 使用工具期间以及使用工具之后，电池组温度可能较高易引起灼伤或低温烫伤。处理高温电池组时请小心操作。
15. 在使用工具后请勿立即触碰工具的端子，否则可能引起灼伤。
16. 避免锯屑、灰尘或泥土卡入电池组的端子、孔口和凹槽内。否则可能导致工具或电池组性能下降或故障。

17. 除非工具支持在高压电源线路附近使用，否则请勿在高压电源线路附近使用电池组。否则可能导致工具或电池组故障或失常。

18. 确保电池远离儿童。

请保留此说明书。

⚠️小心： 请仅使用Makita（牧田）原装电池。使用非Makita（牧田）原装电池或经过改装的电池可能会导致电池爆炸，从而造成火灾、人身伤害或物品受损。同时也会导致牧田工具和充电器的牧田保修服务失效。

保持电池最大使用寿命的提示

1. 在电池组电量完全耗尽前及时充电。发现工具电量低时，请停止工具操作，并给电池组充电。
2. 请勿对已充满电的电池组重新充电。过度充电将缩短电池的使用寿命。
3. 请在10°C - 40°C (50°F - 104°F) 的室温条件下给电池组充电。请在灼热的电池组冷却后再充电。
4. 不使用电池组时，请将其从工具或充电器上拆除。

部件说明

► 图片1

1	工具头	2	角度调节按钮	3	锁定杆	4	手拧螺母
5	前把手	6	后把手	7	电池组	8	开关扳机
9	锁止按钮	10	刀片	-	-	-	-

功能描述

⚠️小心： 调节或检查工具功能之前，请务必关闭工具的电源并取出电池组。

安装或拆卸电池组

⚠️小心： 安装或拆卸电池组之前，请务必关闭工具电源。

⚠️小心： 安装或拆卸电池组时请握紧工具和电池组。否则它们可能从您的手中滑落，导致工具和电池组受损，甚至造成人身伤害。

► 图片2: 1. 红色指示器 2. 按钮 3. 电池组

拆卸电池组时，按下电池组前侧的按钮，同时将电池组从工具中抽出。

安装电池组时，要将电池组上的舌簧与外罩上的凹槽对齐，然后推滑到位。将其完全插入到位，直到锁定并发出咔哒声为止。若能看到图中的红色指示器，则说明未完全锁紧。

⚠️小心： 务必完全装入电池组，直至看不见红色指示器为止。否则，它可能会从工具中意外脱落，从而造成自身或他人受伤。

⚠️小心： 请勿强行安装电池组。如果电池组难以插入，可能是插入方法不当。

显示电池的剩余电量

仅限带指示灯的电池组

► **图片3：** 1. 指示灯 2. CHECK（查看）按钮
按电池组上的CHECK（查看）按钮可显示电池剩余电量。指示灯将亮起数秒。

指示灯		剩余电量
■ 点亮	□ 熄灭	
■ ■ ■ ■		75%至100%
■ ■ ■ □		50%至75%
■ ■ □ □		25%至50%
■ □ □ □		0%至25%

注： 在不同的使用条件及环境温度下，指示灯所示电量可能与实际情况略有不同。

工具 / 电池保护系统

本工具配备有工具 / 电池保护系统。该系统可自动切断电机电源以延长工具和电池寿命。作业时，如果工具或电池处于以下情况，工具将会自动停止运转。

过载：

以导致异常高电流的方式操作工具。在这种情况下，请关闭工具并停止导致工具过载的应用程序。然后开启工具以重新启动。如果无法启动工具，则说明电池过热。在这种情况下，请待电池冷却后再开启工具。

电池电压低：

剩余电池电量过低且工具不运行。如果启动工具，电机会再次运行，但将很快停止。在这种情况下，请取下电池并予以充电。

开关操作

⚠️警告： 在将电池组插入工具之前，请务必检查开关扳机是否能扣动自如，松开时能否退回至“OFF”（关闭）位置。

⚠️警告： 为了您的安全，本工具配备了锁止按钮，可防止工具误启动。如果您扣动开关扳机而没有按下锁止按钮时，工具即开始运行，则切勿使用此工具。请当地Makita（牧田）维修服务中心进行修复。

⚠️警告： 切勿禁用锁定功能或封住锁止按钮。

注意： 在没有按下锁止按钮的情况下，请勿用力扣动开关扳机。开关可能会损坏。

► **图片4：** 1. 锁止按钮 2. 开关扳机

为避免使用者不小心扣动开关扳机，本工具采用锁止按钮。

要启动工具时，按下锁止按钮，然后扣动开关扳机即可。松开开关扳机工具即停止。可以从右侧或左侧按锁止按钮。

调节切割角度

⚠️小心： 折叠或展开工具头之前，请务必确认工具处于关闭状态。

⚠️小心： 在折叠工具头以搬运工具时或者在使用工具之后，请务必先安装刀片罩，再折叠工具头。

⚠️小心： 当折叠工具头时，请注意避免手指夹在工具头和工具主体之间。

工具头角度有10个档位可调。请按以下步骤更改工具头角度。

1. 如图所示，紧握工具头和工具主体。

► **图片5：** 1. 工具头 2. 角度调节按钮

2. 在按住角度调节按钮的同时调节工具头角度，然后释放角度调节按钮。

3. 略微移动工具头直至听到咔哒声确定工具头锁闭为止。

注： 在操作工具之前确保工具头已锁定牢固。

调整管长

⚠小心：调整管长之前，请务必确认工具处于关闭状态。

⚠小心：调节管长时，请确保在调节管长前安装刀片罩。

⚠小心：调整管长时，请小心操作避免夹住手指。

⚠小心：确保锁定杆已牢牢紧固。

⚠小心：调整管长时，请将工具侧放。如果将工具直立，工具头会突然落下，可能造成人身伤害。

拧松锁定杆，然后调整管长，随后再将锁定杆锁定。

▶ **图片6：** 1. 锁定杆

调整前把手位置

⚠小心：调整前把手位置之前，请务必确认工具处于关闭状态。

⚠小心：调整前把手位置时，请小心操作避免夹住手指。

⚠小心：确保手拧螺母已牢固拧紧。

⚠小心：移动前把手时不得超出箭头标记。

若要调整前把手位置，请首先沿逆时针旋转手拧螺母将其拧松，再调整前把手位置，随后沿顺时针旋转手拧螺母将其拧紧。

▶ **图片7：** 1. 手拧螺母 2. 箭头标记

装配

⚠小心：对工具进行任何装配操作前，请务必关闭工具电源，并取出电池组。

⚠小心：更换刀片时，请务必佩戴手套，以免手部直接接触刀片。

安装或拆卸刀片

⚠小心：拆卸或安装刀片之前，请安装刀片罩。

注意：更换刀片时，请勿擦掉齿轮和曲柄上的油脂。

注：在安装或拆卸刀片之前，请展开工具头以使工具头朝向工具主体。

1. 将工具颠倒放置。
2. 用螺丝刀拆下4颗螺丝，然后拆下刀片。
▶ **图片8：** 1. 螺丝

3. 从刀片上拆下曲柄。

▶ **图片9：** 1. 曲柄

注：曲柄可能会保留在工具中。

4. 准备好曲柄和新的刀片。
▶ **图片10：** 1. 曲柄 2. 刀片
5. 拆下刀片罩，然后将其安装到新的刀片上。
6. 在曲柄的周围涂抹少量的润滑油。按顺序将垫圈、齿轮和曲柄安装至销钉处。
▶ **图片11：** 1. 曲柄 2. 齿轮 3. 垫圈 4. 销钉
7. 调整曲柄使曲柄上的2个小孔按照图示排列在对齐线上。

▶ **图片12：** 1. 对齐线 2. 小孔

8. 滑动刀片，使导向板上的孔位于刀片环的中心。

▶ **图片13：** 1. 导向板

9. 将步骤2中拆下的螺丝穿过刀片罩上的孔插入刀片孔内。

▶ **图片14：** 1. 孔

10. 将刀片安装在工具上，然后使用螺丝刀拧紧3颗螺丝。

▶ **图片15：** 1. 螺丝

11. 卸下在步骤9中插入刀片孔中的螺丝，然后将其拧紧以固定刀片。

注意：如果刀片无法正常操作，则表示刀片没有正确啮合曲柄。拆下刀片并且重新安装。

注意：如果曲柄等非刀片部件磨损，请联系络牧田授权维修服务中心更换部件或维修。

安装或拆卸碎屑接收器

选购附件

⚠小心：安装或拆卸碎屑接收器时，请务必佩戴手套，以免手部直接接触刀片。

⚠小心：安装或拆卸碎屑接收器之前安装刀片罩。

碎屑接收器收集丢弃的叶子，方便后续清扫。可安装在工具的任一侧。

1. 将碎屑接收器上的孔与刀片上的螺母对齐。

► 图片16: 1. 螺母

2. 用碎屑接收器上的卡爪钩住刀片上的凹槽。

► 图片17: 1. 卡爪 2. 凹槽

3. 按下碎屑接收器上的杆，然后用另一侧的卡爪钩住刀片上的凹槽。

► 图片18: 1. 杆

若要拆卸碎屑接收器，请按下杆将卡爪松开。

► 图片19: 1. 杆

注意：在碎屑接收器的卡爪锁定在刀片的凹槽中时，切勿强行拆卸碎屑接收器。

操作

操作工具

警告：请勿在电线附近使用工具。接触电源线或在电源线附近使用工具可能会造成严重的人身伤害或触电致死。

警告：手应远离刀片。

警告：任何时候必须特别小心地控制工具。切勿使工具偏向自身或工作区域的任何人员。未能小心控制机器则可能使工具操作者或邻近人员受到严重伤害。

小心：尽可能避免在酷热天气下操作工具。操作工具时，请注意您的身体状态。

小心：修剪时请小心不要意外接触金属围栏或其他硬物。否则刀片可能会断裂并造成人身伤害。

小心：注意不要使刀片接触地面。否则工具可能会回弹并导致人身伤害。

小心：拿着绿篱机够着去修剪难以触及的物体（特别是在梯子上的时候）会相当危险。请勿站在摇晃或不稳的物体上工作。

注意：请勿用工具剪切直径超过10 mm的树枝。使用树枝剪将枝干修剪至低于切割高度10 cm后，再使用本工具。

► 图片20: (1) 切割高度 (2) 10 cm

注意：请勿砍倒死树或类似的硬物。这样做可能会损坏工具。

注意：使用刀片时请勿修剪草。否则刀片会缠绕在草中。

用双手握住前把手和后把手将工具握紧。

► 图片21: 1. 前把手 2. 后把手

按住锁定按钮的同时扣动开关扳机，然后向前移动工具。

► 图片22

对于基本操作，将刀片倾斜至修剪方向，然后稳定、缓慢地以3至4秒每米的速度移动工具。

► 图片23

要均匀剪切绿篱侧面时，可从底部朝上剪切。

► 图片24

修剪成圆形时（修剪黄杨或杜鹃花等），可从根部朝上修剪，作为完美的收梢。

► 图片25

如果刀片上安装了碎屑接收器，其收集丢弃的树叶，方便后续清扫。

► 图片26

保养

小心：检查或保养工具之前，请务必关闭工具电源并取出电池组。

小心：对工具进行检查或维护时，请将工具放下。组装或调节直立放置的工具时，可能导致严重的人身伤害。

为了保证产品的安全与可靠性，维修、任何的维修保养或调节需由Makita（牧田）授权的或工厂维修服务中心完成。务必使用Makita（牧田）的替换部件。

清洁工具

用干布或浸有肥皂水的布清洁工具并拧干。

注意：切勿使用汽油、苯、稀释剂、酒精或类似物品清洁工具。否则可能会导致工具变色、变形或出现裂缝。

刀片保养

操作前或操作中每隔一小时，在刀片上涂抹低粘度油（例如机油或喷淋式润滑油）。

► 图片27

操作后，请用钢丝刷清除刀片两侧的灰尘，用抹布进行擦拭，然后涂抹低粘度油（机油或喷淋式润滑油）。

► 图片28

注意：请勿在水中清洗刀片。否则可能会导致工具生锈或受损。

注意：污垢和腐蚀可导致过度的刀片摩擦，并缩短每次电池充电后的操作时间。

存放

将刀片罩装在刀片上，以免刀片暴露在外。将工具存放在儿童无法触及的地方。将工具存放于不会暴露在湿气或雨水中的地方。

故障排除

请求维修前，请首先自行检查。如果您发现本手册中未作说明的问题，请勿拆解工具。而请联系Makita（牧田）授权维修服务中心，务必使用Makita（牧田）的替换部件进行修复。

异常状态	可能原因（故障）	纠正措施
电机不旋转。	未安装电池组。	安装电池组。
	电池故障（欠压）	请给电池充电。如果充电无效，则更换电池。
	驱动系统未正常工作。	请当地授权的维修服务中心进行维修。
使用一段时间后电机停止旋转，或电机不旋转。	电池电量低。	请给电池充电。如果充电无效，则更换电池。
	过热。	停止使用工具使之冷却。
工具无法达到最大转速。	电池安装不当。	按本手册所述安装电池组。
	电池电力下降。	请给电池充电。如果充电无效，则更换电池。
	驱动系统未正常工作。	请当地授权的维修服务中心进行维修。
刀片无法移动： ⇒ 立即停止机器！	刀片角度不当。	确保工具头正确固定在操作角度。
	刀片之间卡入异物。	关闭工具并取下电池组，然后使用虎钳等工具清除异物。
	驱动系统未正常工作。	请当地授权的维修服务中心进行维修。
异常振动： ⇒ 立即停止机器！	刀片折断、弯曲或磨损。	更换刀片。
	驱动系统未正常工作。	请当地授权的维修服务中心进行维修。
刀片和电机无法停止： ⇒ 立即卸下电池！	电子元件故障。	拆下电池并请当地授权的维修服务中心进行修复。

选购附件

⚠小心： 这些附件或装置专用于本说明书所列的**Makita（牧田）**工具。如使用其他厂牌附件或装置，可能导致人身伤害。仅可将附件或装置用于规定目的。

如您需要了解更多关于这些选购附件的信息，请咨询当地的**Makita（牧田）**维修服务中心。

- 刀片组件
- 碎屑接收器
- 润滑脂管
- **Makita（牧田）**原装电池和充电器

注： 本列表中的一些部件可能作为标准配件包含于工具包装内。它们可能因销往国家之不同而异。

SPESIFIKASI

Model:	UN460WD
Panjang mata pisau	460 mm
Langkah per menit	3.600 min ⁻¹
Sudut mata pisau pemotong	135° (atas 60°, bawah 75°)
Panjang keseluruhan	1.889 - 2.511 mm
Tegangan terukur	D.C. 10,8 V - 12 V maks
Berat bersih	2,8 - 3,0 kg

- Karena kesinambungan program penelitian dan pengembangan kami, spesifikasi yang disebutkan di sini dapat berubah tanpa pemberitahuan.
- Spesifikasi dapat berbeda dari satu negara ke negara lainnya.
- Berat alat mungkin berbeda tergantung perangkat tambahan yang dipasang, termasuk kartrid baterai. Kombinasi alat terberat dan teringan, sesuai Prosedur EPTA 01/2014, ditunjukkan pada tabel.

Kartrid dan pengisi daya baterai yang dapat digunakan

Kartrid baterai	BL1016 / BL1021B / BL1041B
Pengisi daya	DC10SA / DC10SB / DC10WC / DC10WD / DC18RE

- Beberapa kartrid baterai dan pengisi daya yang tercantum di atas mungkin tidak tersedia, tergantung wilayah tempat tinggal Anda.

⚠️ PERINGATAN: Hanya gunakan kartrid dan pengisi daya baterai yang tercantum di atas. Penggunaan kartrid dan pengisi daya baterai lain dapat menimbulkan risiko cedera dan/atau kebakaran.

Simbol

Berikut ini adalah simbol-simbol yang dapat digunakan pada peralatan ini. Pastikan Anda memahami arti masing-masing simbol sebelum menggunakan peralatan.



Baca petunjuk penggunaan.



Jangan biarkan lembab.



Gunakan helm, kaca mata pelindung, dan pelindung telinga.



BAHAYA - Jauhkan tangan dari mata pisau.



Waspadalah terhadap saluran listrik, risiko sengatan listrik.



Jaga jarak setidaknya 15 m.



Ni-MH
Li-ion

Hanya untuk negara-negara UE
Akibat adanya komponen berbahaya dalam peralatan, limbah peralatan listrik dan elektronik, aki dan baterai dapat memiliki dampak negatif pada lingkungan dan kesehatan manusia.

Jangan buang peralatan listrik dan elektronik atau baterai bersama limbah rumah tangga!

Sesuai dengan Petunjuk Eropa tentang limbah peralatan listrik dan elektronik dan tentang aki dan baterai serta limbahnya terhadap undang-undang nasional, limbah peralatan listrik, baterai dan aki harus disimpan secara terpisah dan dikirim ke tempat pengumpulan terpisah untuk sampah kota, beroperasi sesuai dengan peraturan tentang perlindungan lingkungan.

Hal ini ditunjukkan dengan simbol tempat sampah bersilang yang ditempatkan pada peralatan.



Level kekuatan suara terjamin sesuai dengan Petunjuk Kebisingan Di Luar Ruang Uni Eropa.



Level kekuatan suara sesuai dengan Peraturan Kontrol Kebisingan NSW Australia

Penggunaan

Mesin ini digunakan untuk memotong tanaman pagar.

PERINGATAN KESELAMATAN

Peringatan keselamatan umum mesin listrik

⚠️ PERINGATAN: Bacalah semua peringatan keselamatan, petunjuk, ilustrasi dan spesifikasi yang disertakan bersama mesin listrik ini. Kelalaian untuk mematuhi semua petunjuk yang tercantum di bawah ini dapat menyebabkan sengatan listrik, kebakaran dan/atau cedera serius.

Simpanlah semua peringatan dan petunjuk untuk acuan di masa depan.

Istilah "mesin listrik" dalam semua peringatan mengacu pada mesin listrik yang dijalankan dengan sumber listrik jala-jala (berkabel) atau baterai (tanpa kabel).

Keselamatan tempat kerja

1. **Jaga tempat kerja selalu bersih dan berpenerangan cukup.** Tempat kerja yang berantakan dan gelap mengundang kecelakaan.
2. **Jangan gunakan mesin listrik dalam lingkungan yang mudah meledak, misalnya jika ada cairan, gas, atau debu yang mudah menyala.** Mesin listrik menimbulkan bunga api yang dapat menyalakan debu atau uap tersebut.
3. **Jauhkan anak-anak dan orang lain saat menggunakan mesin listrik.** Bila perhatian terpecah, anda dapat kehilangan kendali.

Keamanan Kelistrikan

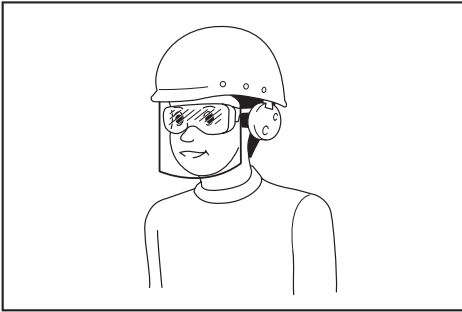
1. **Steker mesin listrik harus cocok dengan stopkontak. Jangan sekali-kali mengubah steker dengan cara apa pun. Jangan menggunakan steker adaptor dengan mesin listrik terbumi (dibumikan).** Steker yang tidak diubah dan stopkontak yang cocok akan mengurangi risiko sengatan listrik.
2. **Hindari sentuhan tubuh dengan permukaan terbumi atau yang dibumikan seperti pipa, radiator, kompor, dan kulkas.** Risiko sengatan listrik bertambah jika tubuh Anda terbumikan atau dibumikan.
3. **Jangan membiarkan mesin listrik kehujanan atau kebasahan.** Air yang masuk ke dalam mesin listrik akan meningkatkan risiko sengatan listrik.
4. **Jangan menyalahgunakan kabel. Jangan sekali-kali menggunakan kabel untuk membawa, menarik, atau mencabut mesin listrik dari stopkontak. Jauhkan kabel dari panas, minyak, tepian tajam, atau bagian yang bergerak.** Kabel yang rusak atau kusut memperbesar risiko sengatan listrik.
5. **Bila menggunakan mesin listrik di luar ruangan, gunakan kabel ekstensi yang sesuai untuk penggunaan di luar ruangan.** Penggunaan kabel yang sesuai untuk penggunaan luar ruangan mengurangi risiko sengatan listrik.

6. **Jika mengoperasikan mesin listrik di lokasi lembap tidak terhindarkan, gunakan pasokan daya yang dilindungi peranti imbasan arus (residual current device - RCD).** Penggunaan RCD mengurangi risiko sengatan listrik.
7. **Mesin listrik dapat menghasilkan medan magnet (EMF) yang tidak berbahaya bagi pengguna.** Namun, pengguna alat pacu jantung atau peralatan medis sejenisnya harus berkonsultasi dengan produsen peralatan tersebut dan/atau dokter mereka sebelum mengoperasikan mesin listrik ini.

Keselamatan Diri

1. **Jaga kewaspadaan, perhatikan pekerjaan Anda dan gunakan akal sehat bila menggunakan mesin listrik. Jangan menggunakan mesin listrik saat Anda lelah atau di bawah pengaruh obat bius, alkohol, atau obat.** Sekejap saja lalai saat menggunakan mesin listrik dapat menyebabkan cedera badan serius.
2. **Gunakan alat pelindung diri. Selalu gunakan pelindung mata.** Peralatan pelindung seperti masker debu, sepatu pengaman anti-selip, helm pengaman, atau pelindung telinga yang digunakan untuk kondisi yang sesuai akan mengurangi risiko cedera badan.
3. **Cegah penyalaaan yang tidak disengaja. Pastikan bahwa sakelar berada dalam posisi mati (off) sebelum menghubungkan mesin ke sumber daya dan/atau paket baterai, atau mengangkat atau membawanya.** Membawa mesin listrik dengan jari Anda pada sakelarnya atau mengalirkan listrik pada mesin listrik yang sakelarnya hidup (on) akan mengundang kecelakaan.
4. **Lepaskan kunci-kunci penyetel sebelum menghidupkan mesin listrik.** Kunci-kunci yang masih terpasang pada bagian mesin listrik yang berputar dapat menyebabkan cedera.
5. **Jangan meraih terlalu jauh. Jagalah pijakan dan keseimbangan sepanjang waktu.** Hal ini memungkinkn kendali yang lebih baik atas mesin listrik dalam situasi yang tidak diharapkan.
6. **Kenakan pakaian yang memadai. Jangan memakai pakaian yang longgar atau perhiasan. Jaga jarak antara rambut dan pakaian Anda dengan komponen mesin yang bergerak.** Pakaian yang longgar, perhiasan, atau rambut yang panjang dapat tersangkut pada komponen yang bergerak.
7. **Jika tersedia fasilitas untuk menghisap dan mengumpulkan debu, pastikan fasilitas tersebut terhubung listrik dan digunakan dengan baik.** Penggunaan pembersih debu dapat mengurangi bahaya yang terkait dengan debu.
8. **Jangan sampai Anda lelah dan mengabaikan prinsip keselamatan mesin ini hanya karena sudah sering mengoperasikannya dan sudah merasa terbiasa.** Tindakan yang lalai dapat menyebabkan cedera berat dalam sepersekian detik saja.

9. **Selalu kenakan kacamata pelindung untuk melindungi mata dari cedera saat menggunakan mesin listrik. Kacamata harus sesuai dengan ANSI Z87.1 di Amerika Serikat, EN 166 di Eropa, atau AS/NZS 1336 di Australia/Selandia Baru. Di Australia/Selandia Baru, secara hukum Anda juga diwajibkan mengenakan pelindung wajah untuk melindungi wajah Anda.**



Menjadi tanggung jawab atas untuk menerapkan penggunaan alat pelindung keselamatan yang tepat bagi operator mesin dan orang lain yang berada di area kerja saat itu.

Penggunaan dan pemeliharaan mesin listrik

1. **Jangan memaksa mesin listrik. Gunakan mesin listrik yang tepat untuk keperluan Anda.** Mesin listrik yang tepat akan menuntaskan pekerjaan dengan lebih baik dan aman pada kecepatan sesuai rancangannya.
2. **Jangan gunakan mesin listrik jika sakelar tidak dapat menyala dan memastikannya.** Mesin listrik yang tidak dapat dikendalikan dengan sakelarnya adalah berbahaya dan harus diperbaiki.
3. **Cabut steker dari sumber listrik dan/atau lepas paket baterai, jika dapat dilepas, dari mesin listrik sebelum melakukan penyetelan apa pun, mengganti aksesoris, atau menyimpan mesin listrik.** Langkah keselamatan preventif tersebut mengurangi risiko hidupnya mesin secara tak sengaja.
4. **Simpan mesin listrik jauh dari jangkauan anak-anak dan jangan biarkan orang yang tidak paham mengenai mesin listrik tersebut atau petunjuk ini menggunakan mesin listrik.** Mesin listrik sangat berbahaya di tangan pengguna yang tak terlatih.
5. **Rawatlah mesin listrik dan aksesoris. Periksa apakah ada komponen bergerak yang tidak lurus atau macet, komponen yang pecah, dan kondisi-kondisi lain yang dapat memengaruhi pengoperasian mesin listrik. Jika rusak, perbaiki mesin listrik terlebih dahulu sebelum digunakan.** Banyak kecelakaan disebabkan oleh kurangnya pemeliharaan mesin listrik.
6. **Jaga agar mesin pemotong tetap tajam dan bersih.** Mesin pemotong yang terawat baik dengan mata pemotong yang tajam tidak mudah macet dan lebih mudah dikendalikan.

7. **Gunakan mesin listrik, aksesoris, dan mata mesin, dll. sesuai dengan petunjuk ini, dengan memperhitungkan kondisi kerja dan jenis pekerjaan yang dilakukan.** Penggunaan mesin listrik untuk penggunaan yang lain dari peruntukan dapat menimbulkan situasi berbahaya.
8. **Jagalah agar gagang dan permukaan pegangan tetap kering, bersih, dan bebas dari minyak dan pelumas.** Gagang dan permukaan pegangan yang licin tidak mendukung keamanan penanganan dan pengendalian mesin dalam situasi-situasi tak terduga.
9. **Ketika menggunakan mesin, jangan menggunakan sarung tangan kain yang dapat tersangkut.** Sarung tangan kain yang tersangkut pada komponen bergerak dapat mengakibatkan cedera pada pengguna.

Penggunaan dan pemeliharaan mesin bertenaga baterai

1. **Isi ulang baterai hanya dengan pengisi daya yang ditentukan oleh pabrik.** Pengisi daya yang cocok untuk satu jenis paket baterai dapat menimbulkan risiko kebakaran ketika digunakan untuk paket baterai yang lain.
2. **Gunakan mesin listrik hanya dengan paket baterai yang telah ditentukan secara khusus.** Penggunaan paket baterai lain dapat menimbulkan risiko cedera dan kebakaran.
3. **Ketika paket baterai tidak digunakan, jauhkan dari benda logam lain, seperti penjepit kertas, uang logam, kunci, paku, sekrup atau benda logam kecil lainnya, yang dapat menghubungkan satu terminal ke terminal lain.** Hubungan singkat terminal baterai dapat menyebabkan luka bakar atau kebakaran.
4. **Pemakaian yang salah, dapat menyebabkan keluarnya cairan dari baterai; hindari kontak. Jika terjadi kontak secara tidak sengaja, bilas dengan air. Jika cairan mengenai mata, cari bantuan medis.** Cairan yang keluar dari baterai bisa menyebabkan iritasi atau luka bakar.
5. **Jangan menggunakan paket baterai atau mesin yang sudah rusak atau telah diubah.** Baterai yang rusak atau telah diubah dapat menyebabkan hal-hal yang tidak dapat diprediksi yang dapat menyebabkan kebakaran, ledakan atau risiko cedera.
6. **Jangan membiarkan paket baterai atau mesin dekat dengan api atau suhu yang berlebihan.** Paparan api atau suhu di atas 130 °C dapat menyebabkan ledakan.
7. **Ikuti semua petunjuk pengisian daya dan jangan mengisi daya paket baterai atau mesin di luar rentang suhu yang ditentukan di panduan.** Mengisi daya secara tidak tepat atau pada suhu di luar rentang yang ditentukan dapat merusak baterai dan meningkatkan risiko kebakaran.

Servis

1. **Berikan mesin listrik untuk diperbaiki hanya kepada oleh teknisi yang berkualifikasi dengan menggunakan hanya suku cadang pengganti yang serupa.** Hal ini akan menjamin terjaminnya keamanan mesin listrik.

2. **Jangan pernah memperbaiki paket baterai yang sudah rusak.** Perbaikan paket baterai harus dilakukan hanya oleh produsen atau penyedia servis resmi.
3. **Patuhi petunjuk pelumasan dan penggantian aksesoris.**
10. **Selalu gunakan pelindung kepala saat mengoperasikan alat pemotong tanaman pagar dengan perpanjangan jangkauan di atas kepala.** Serpihan yang jatuh dapat mengakibatkan cedera serius.

Peringatan Keselamatan Alat Pemotong Tanaman Pagar Tanpa Kabel

1. **Jauhkan bagian tubuh Anda dari mata pisau. Jangan ambil material pemotongan atau penahan saat bilah pisau bergerak.** Mata pisau masih tetap berputar setelah sakelar dimatikan. Cedera serius dapat terjadi meskipun sesaat saja Anda lalai ketika menggunakan alat pemotong tanaman.
2. **Bawa alat pemotong tanaman dengan pegangan dengan mata pisau berhenti dan berhati-hati untuk tidak mengoperasikan sakelar daya apa pun.** Membawa alat pemotong tanaman dengan benar akan mengurangi risiko awal yang tidak disengaja dan cedera pribadi yang diakibatkan oleh mata pisau.
3. **Ketika membawa atau menyimpan alat pemotong tanaman, selalu masukkan dalam penutup mata pisau.** Penanganan alat pemotong tanaman dengan benar akan mengurangi risiko cedera pribadi yang diakibatkan oleh mata pisau.
4. **Saat membersihkan material yang macet atau memperbaiki unit, pastikan semua sakelar daya mati dan baterai dilepas atau diputus sambungannya.** Pergerakan tak terduga dari alat pemotong tanaman saat membersihkan material yang macet atau perbaikan dapat mengakibatkan cedera pribadi yang serius.
5. **Pegang alat pemotong tanaman hanya pada permukaan genggam yang terisolasi, karena mata pisau mungkin bersentuhan dengan kawat atau kabel tersembunyi.** Mata pisau yang menyentuh kawat "beraliran listrik" dapat menyebabkan bagian logam alat pemotong tanaman teraliri arus listrik dan menyengat pengguna.
6. **Jauhkan semua kabel daya dan perkabelan dari area pemotongan.** Kabel daya perkabelan dapat tersembunyi dalam pepohonan atau semak-semak sehingga dapat terpotong secara tidak sengaja.
7. **Jangan gunakan alat pemotong tanaman saat kondisi cuaca buruk, terutama jika terdapat risiko sambaran petir.** Hal ini akan mengurangi risiko disambar petir.
8. **Untuk mengurangi risiko tersengat listrik, jangan gunakan alat pemotong tanaman pagar di dekat saluran listrik.** Kontak dengan atau menggunakan alat di dekat saluran listrik dapat menyebabkan cedera serius atau sengatan listrik yang mengakibatkan kematian.
9. **Selalu gunakan dua tangan saat mengoperasikan alat pemotong tanaman pagar.** Pegang alat pemotong tanaman pagar dengan kedua tangan untuk menghindari hilangnya kendali.

Instruksi Keselamatan Tambahan

Persiapan

1. **ALAT PEMOTONG TANAMAN INI DAPAT MENYEBABKAN CEDERA SERIUS.** Baca petunjuk dengan saksama untuk penanganan, persiapan, pemeliharaan, memulai dan menghentikan mesin yang benar. Pahami semua kontrol dan cara penggunaan mesin yang benar.
2. **Periksa tanaman pagar dan belukar apakah ada benda asing di dalamnya, seperti pagar kawat atau kawat yang tersembunyi sebelum mengoperasikan alat.**
3. **Alat pemotong tanaman tidak boleh digunakan oleh anak-anak atau usia di bawah 18 tahun.** Orang dengan berusia di atas 16 tahun diperbolehkan menggunakan alat ini hanya jika telah menjalani pelatihan dengan pengawasan ahli.
4. **Dalam keadaan darurat, segera matikan mesin dan lepaskan kartrid baterai.**
5. **BAHAYA: Jauhkan tangan Anda dari mata pisau.** Sentuhan dengan mata pisau dapat mengakibatkan cedera badan serius.
6. **Pengguna awam harus meminta bantuan orang yang berpengalaman dalam penggunaan mesin.**
7. **Sebelum pengoperasian, periksa area kerja untuk pagar kawat, batu, atau objek keras lainnya. Itu semua dapat merusak mata pisau.**
8. **Hanya gunakan alat pemotong tanaman ketika kondisi fisik Anda memadai.** Apabila Anda lelah, perhatian Anda mungkin dapat menurun. Berhati-hatilah ketika pekerjaan hampir selesai. Lakukan semua pekerjaan dengan tenang dan hati-hati. Pengguna bertanggung jawab atas semua kerusakan yang terjadi pada pihak ketiga.
9. **Sebelum memulai kerja, periksa dan pastikan pemotong berada pada kondisi yang baik dan aman.** Pastikan seluruh pelindung terpasang dengan benar. Alat pemotong tanaman tidak boleh digunakan kecuali telah terpasang dengan lengkap.
10. **Hindari lingkungan berbahaya.** Jangan gunakan mesin di lokasi yang lembap dan basah, atau membiarkannya terkena hujan. Air yang masuk ke dalam mesin akan meningkatkan risiko sengatan listrik.

Alat pelindung diri

1. **Sarung tangan kerja dengan bahan kulit merupakan alat standar untuk alat pemotong tanaman dan harus selalu dikenakan ketika menggunakan pemotong.** Kenakan juga sepatu yang kuat dengan sol anti-selip.
2. **Gunakan pelindung telinga seperti sarung telinga untuk mencegah gangguan pendengaran.**

3. **Gunakan kacamata pelindung, helm pengaman dan sarung tangan pelindung untuk melindungi diri dari serpihan yang terbang atau benda jatuh.**
4. **Ketika menyentuh atau mengarahkan mata pisau, pakailah sarung tangan.** Mata pisau dapat melukai tangan kosong dengan parah.
12. **Hindari penyalaan yang tidak disengaja. Jangan membawa mesin saat kartrid baterai dipasang dan dengan jari di sakelar. Pastikan sakelar dimatikan saat memasang kartrid baterai.**

Pengoperasian

1. **Selalu gunakan dua tangan untuk mengoperasikan mesin.** Mengoperasikan mesin dengan satu tangan dapat menyebabkan hilangnya kendali dan mengakibatkan cedera serius.
2. **Saat mengoperasikan mesin, selalu pastikan bahwa posisi operasi aman dan terlindungi. Berusaha menjangkau mesin terlalu jauh terutama menggunakan tangga sangatlah berbahaya. Jangan lakukan pekerjaan dengan pijakan yang mudah goyah atau tidak kuat.**
3. **Jangan sekaligus memakai beberapa sabuk pengaman dan/atau sabuk bahu saat mengoperasikan mesin.**
4. **Saat pengoperasian, pastikan orang lain atau binatang berada setidaknya 15 m dari mesin. Segera matikan mesin jika ada seseorang yang mendekati.**
5. **Jika alat pemotong mengenai benda apa pun atau mesin mulai mengeluarkan bunyi atau getaran yang tidak biasa, matikan mesin dan segera lepaskan kartrid baterai dan biarkan mesin berhenti. Dan kemudian lakukan langkah-langkah berikut:**
 - **periksa apakah ada kerusakan**
 - **periksa, dan kencangkan, semua komponen yang kendur**
 - **ganti suku cadang yang rusak atau perbaiki dengan suku cadang asli.**
6. **Hanya gunakan mesin untuk tujuan yang dimaksudkan. Jangan gunakan mesin untuk keperluan lainnya.**
7. **Matikan mesin dan lepaskan kartrid baterai sebelum:**
 - **membersihkan atau saat membersihkan penyumbatan,**
 - **memeriksa, melakukan pemeliharaan atau sedang bekerja dengan mesin,**
 - **menyesuaikan posisi kerja bilah pisau pemangkas,**
 - **meninggalkan mesin tanpa pengawasan.**
8. **Pastikan mesin berada di posisi kerja yang benar sebelum menyalakan mesin.**
9. **Jangan mengoperasikan mesin dengan bilah pisau pemangkas yang rusak atau aus berlebihan.**
10. **Selalu waspada terhadap lingkungan Anda dan tetap waspada terhadap kemungkinan bahaya yang mungkin tidak Anda sadari karena kebisingan mesin ini.**
11. **Berhati-hatilah agar tidak menyentuh pagar besi atau benda keras lainnya selama pengoperasian. Mata pisau dapat pecah dan dapat menimbulkan cedera serius.**
13. **Saat mengangkat atau memegang mesin, jangan menggenggam mata pisau pemotong atau tepian pemotong yang terlihat.**
14. **Jangan memaksa mesin listrik.** Mesin akan lebih baik dan dengan risiko cedera yang lebih kecil jika sesuai rancangannya.
15. **Jangan menggunakan mesin saat hujan atau kondisi basah dan lembap.** Motor listrik tidak tahan air.
16. **Pegang mesin dengan kuat saat menggunakannya.**
17. **Jangan mengoperasikan mesin tanpa beban yang tidak diperlukan.**
18. **Sebelum memeriksa bilah pisau pemangkas, perbaiki kerusakan, atau bersihkan benda asing yang tersangkut pada bilah pisau pemangkas, selalu matikan mesin dan lepaskan kartrid baterai.**
19. **Jangan arahkan bilah pisau pemangkas ke diri sendiri atau orang lain.**
20. **Jika bilah pisau berhenti bergerak karena benda asing tersangkut di antara bilah pisau selama pengoperasian, matikan mesin dan lepaskan kartrid baterai, lalu keluarkan benda asing menggunakan alat seperti tang. Keluarkan benda asing dengan tangan dapat menyebabkan cedera karena bilah pisau dapat bergerak sebagai akibat dari dikeluarkannya benda asing tersebut.**

Keamanan listrik dan baterai

1. **Hindari lingkungan yang berbahaya. Jangan gunakan mesin di lokasi yang lembap dan basah, atau membiarkannya terkena hujan. Air yang masuk ke dalam mesin akan meningkatkan risiko sengatan listrik.**
2. **Jangan buang baterai ke nyala api.** Sel baterai dapat meledak. Periksa kode setempat untuk petunjuk pembuangan khusus yang memungkinkan.
3. **Jangan buka atau bongkar baterai.** Elektrolit yang terlepas bersifat korosif dan dapat melukai mata atau kulit. Zat tersebut dapat beracun jika tertelan.
4. **Jangan mengisi daya baterai saat hujan, atau di lokasi yang basah.**
5. **Jangan mengisi daya baterai di luar ruangan.**
6. **Jangan memegang pengisi daya, termasuk steker pengisi daya, dan terminal pengisi daya dengan tangan basah.**

Perawatan dan penyimpanan

1. **Saat mesin berhenti untuk servis, pemeriksaan atau penyimpanan, matikan mesin dan lepaskan kartrid baterai, dan pastikan semua komponen yang bergerak berhenti. Biarkan mesin menjadi dingin sebelum melakukan inspeksi, penyesuaian, dll.**
2. **Selalu biarkan mesin mendingin sebelum disimpan.**

3. Saat tidak digunakan, pasang penutup mata pisau ke mesin dan simpan mesin di dalam ruangan kering, dan tinggi ruangan yang terkunci, jauh dari jangkauan anak-anak.
4. Rawatlah mesin dengan baik. Jaga agar tepi pemotongan tetap tajam dan bersih untuk kinerja terbaik dan untuk mengurangi risiko cedera. Patuhi petunjuk pelumasan dan penggantian aksesoris. Jagalah agar gagang kering, bersih, serta bebas dari minyak dan lemak.
5. Periksa komponen yang rusak. Sebelum terus menggunakan mesin, bagian apa pun yang rusak harus diperiksa secara cermat untuk menentukan apakah mesin akan bekerja dengan baik dan berfungsi sesuai yang diharapkan. Periksa kesejajaran komponen yang berputar, macetnya gerakan bagian yang berputar, kerusakan komponen, kondisi pemasangan dan hal lain yang dapat memengaruhi pengoperasian. Pelindung atau bagian lain yang rusak harus diperbaiki atau diganti dengan benar oleh pusat servis resmi Anda.
6. Hanya gunakan suku cadang asli.
7. Ketika memindahkan mesin ke lokasi lain, termasuk selama melakukan pekerjaan, selalu lepaskan kartrid baterai dan pasang penutup mata pisau pada bilah pisau pemangkas. Jangan pernah membawa atau memindahkan mesin dengan mata pisau yang masih beroperasi. Jangan pernah genggam pisau mata menggunakan tangan Anda.
8. Bersihkan mesin khususnya mata pisau pemangkas setelah digunakan, dan sebelum menyimpan mesin dalam waktu yang lama. Sedikit lumasi mata pisau pemangkas dan masukkan ke dalam penutupnya.
9. Jangan buang baterai ke dalam api. Sel dapat meledak. Periksa ketentuan lokal untuk petunjuk pembuangan khusus.
10. Jangan membuka atau membongkar baterai. Elektrolit yang terlepas bersifat korosif dan dapat menyebabkan iritasi pada mata atau kulit. Elektrolit yang terlepas beracun jika tertelan.
11. Jangan mengisi daya baterai saat hujan, atau di lokasi yang basah.

SIMPAN PETUNJUK INI.

⚠️ PERINGATAN: JANGAN biarkan kenyamanan atau terbiasanya Anda dengan produk (karena penggunaan berulang) mengurangi kepatuhan yang ketat terhadap aturan keselamatan untuk produk yang terkait. **PENYALAHGUNAAN** atau kelalaian mematuhi kaidah keselamatan yang tertera dalam petunjuk ini dapat menyebabkan cedera badan serius.

Petunjuk keselamatan penting untuk kartrid baterai

1. Sebelum menggunakan kartrid baterai, bacalah semua petunjuk dan penandaan pada (1) pengisi daya baterai, (2) baterai, dan (3) produk yang menggunakan baterai.
 2. Jangan membongkar atau memodifikasi kartrid baterai. Tindakan tersebut dapat menimbulkan api, panas berlebih, atau ledakan.
 3. Jika waktu beroperasinya menjadi sangat singkat, segera hentikan penggunaan. Hal tersebut dapat menimbulkan risiko panas berlebih, kemungkinan mengalami luka bakar atau bahkan terjadi ledakan.
 4. Jika elektrolit mengenai mata Anda, basuh dengan air bersih dan segera cari pertolongan medis. Hal tersebut dapat mengakibatkan hilangnya kemampuan penglihatan Anda.
 5. Jangan menghubungkan terminal kartrid baterai:
 - (1) Jangan menyentuh terminal dengan bahan penghantar listrik apa pun.
 - (2) Hindari menyimpan kartrid baterai pada wadah yang berisi benda logam lain seperti paku, uang logam, dsb.
 - (3) Jangan membiarkan baterai terkena air atau kehujanan.
- Hubungan singkat baterai dapat menyebabkan aliran arus listrik yang besar, panas berlebih, kemungkinan mengalami luka bakar dan bahkan kerusakan pada baterai.
6. Jangan menyimpan dan menggunakan mesin dan kartrid baterai pada lokasi dengan suhu yang bisa mencapai atau melebihi 50 °C (122 °F).
 7. Jangan membuang kartrid baterai di tempat pembakaran sampah walaupun benar-benar rusak atau tidak bisa digunakan sama sekali. Kartrid baterai bisa meledak jika terbakar.
 8. Jangan memaku, memotong, menghancurkan, melempar, menjatuhkan kartrid baterai, atau memukulkan benda keras ke kartrid baterai. Tindakan tersebut dapat menimbulkan api, panas berlebih, atau ledakan.
 9. Jangan menggunakan baterai yang rusak.
 10. **Baterai litium-ion yang disertakan sesuai dengan persyaratan Perundangan Makanan Berbahaya.**

Harus ada pengawasan untuk pengangkutan komersial misalnya oleh pihak ketiga, ekspeditor, persyaratan khusus terhadap pengemasan dan pelabelan.

Diperlukan adanya konsultasi dengan ahli mengenai material berbahaya untuk persiapan barang yang akan dikirimkan. Perhatikan pula peraturan nasional yang lebih terperinci yang mungkin ada.

Beri perekat atau tutupi bagian yang terbuka dan kemasi baterai dengan cara yang tidak akan menimbulkan pergeseran dalam pengemasan.

11. Ketika membuang kartrid baterai, lepaskan dari mesin dan buang ke tempat yang aman. Patuhi peraturan setempat yang berkaitan dengan pembuangan baterai.
12. Gunakan baterai hanya dengan produk yang ditentukan oleh Makita. Memasang baterai pada produk yang tidak sesuai dapat menyebabkan kebakaran, kelebihan panas, ledakan, atau kebocoran elektrolit.
13. Jika mesin tidak digunakan dalam jangka waktu yang lama, baterai harus dilepas dari mesin.
14. Selama dan setelah digunakan, kartrid baterai mungkin menyimpan panas yang dapat menyebabkan luka bakar atau luka bakar suhu rendah. Perhatikan cara memegang kartrid baterai yang masih panas.
15. Jangan langsung menyentuh terminal mesin setelah digunakan karena suhunya mungkin cukup panas untuk menyebabkan luka bakar.
16. Jangan biarkan serpihan, debu, atau tanah menempel di terminal, lubang, dan alur kartrid baterai. Hal tersebut dapat mengakibatkan kinerja buruk atau kerusakan mesin maupun kartrid baterai.
17. Kecuali jika mesin mendukung penggunaan di dekat saluran listrik bertegangan tinggi, jangan gunakan kartrid baterai di dekat saluran listrik bertegangan tinggi. Hal tersebut dapat mengakibatkan kegagalan fungsi atau kerusakan mesin maupun kartrid baterai.

18. Jauhkan baterai dari jangkauan anak-anak.

SIMPAN PETUNJUK INI.

PERHATIAN: Gunakan baterai asli Makita. Penggunaan baterai Makita yang tidak asli, atau baterai yang sudah diubah, akan mengakibatkan baterai mudah terbakar, cedera dan kerusakan. Akan menghilangkan garansi Makita pada pengisi daya dan alat Makita.

Tip untuk menjaga agar umur pemakaian baterai maksimum

1. Isi ulang kartrid baterai sebelum habis sama sekali. Selalu hentikan penggunaan mesin dan ganti kartrid baterai jika Anda melihat bahwa mesin kurang tenaga.
2. Jangan pernah mengisi ulang kartrid baterai yang sudah diisi penuh. Pengisian ulang yang berlebih memperpendek umur pemakaian baterai.
3. Isi ulang kartrid baterai pada suhu ruangan 10 °C - 40 °C. Biarkan kartrid baterai yang panas menjadi dingin terlebih dahulu sebelum diisi ulang.
4. Saat kartrid baterai tidak digunakan, lepaskan dari mesin atau pengisi daya.

DESKRIPSI BAGIAN-BAGIAN MESIN

► Gbr.1

1	Kepala	2	Tombol penyetel sudut	3	Tuas kunci	4	Mur sayap
5	Gagang depan	6	Gagang belakang	7	Kartrid baterai	8	Pelatuk sakelar
9	Tombol pengunci	10	Bilah pisau pemangkas	-	-	-	-

DESKRIPSI FUNGSI

PERHATIAN: Selalu pastikan bahwa mesin dimatikan dan kartrid baterai dilepas sebelum menyetel atau memeriksa kerja mesin.

Memasang atau melepas baterai

PERHATIAN: Selalu matikan mesin sebelum memasang atau melepas kartrid baterai.

PERHATIAN: Pegang mesin dan kartrid baterai kuat-kuat saat memasang atau melepas kartrid baterai. Kelalaian untuk memegang mesin dan kartrid baterai kuat-kuat bisa menyebabkan keduanya tergelincir dari tangan Anda dan mengakibatkan kerusakan pada mesin dan kartrid baterai dan cedera diri.

- Gbr.2: 1. Indikator berwarna merah 2. Tombol 3. Kartrid baterai

Untuk melepas kartrid baterai, geser dari mesin sambil menggeser tombol pada bagian depan kartrid.

Untuk memasang kartrid baterai, sejajarkan lidah kartrid baterai dengan alur pada rumah dan masukkan ke dalam tempatnya. Masukkan seluruhnya sampai terkunci pada tempatnya dan terdengar bunyi klik kecil. Jika Anda bisa melihat indikator berwarna merah seperti yang ditunjukkan pada gambar, ini artinya kartrid baterai tidak terkunci sempurna.

PERHATIAN: Selalu pasang kartrid baterai sepenuhnya sampai indikator berwarna merah tidak terlihat. Jika tidak, bisa terlepas dari mesin secara tidak sengaja, menyebabkan luka pada Anda atau orang di sekitar Anda.

PERHATIAN: Jangan memasang kartrid baterai secara paksa. Jika kartrid tidak bergeser dengan mudah, berarti tidak dimasukkan dengan benar.

Mengindikasikan kapasitas baterai yang tersisa

Hanya untuk kartrid baterai dengan indikator

► **Gbr.3:** 1. Lampu indikator 2. Tombol pemeriksaan

Tekan tombol pemeriksaan pada kartrid baterai untuk melihat kapasitas baterai yang tersisa. Lampu indikator menyala selama beberapa detik.

Lampu indikator		Kapasitas yang tersisa
Menyala	Mati	
■ ■ ■ ■	□	75% hingga 100%
■ ■ ■ □	□	50% hingga 75%
■ ■ □ □	□ □	25% hingga 50%
■ □ □ □	□ □ □ □	0% hingga 25%

CATATAN: Tergantung kondisi penggunaan dan suhu lingkungannya, penunjukkan mungkin saja sedikit berbeda dari kapasitas sebenarnya.

Sistem perlindungan mesin / baterai

Mesin ini dilengkapi dengan sistem perlindungan mesin/ baterai. Sistem ini memutus daya ke motor secara otomatis untuk memperpanjang umur pakai mesin dan baterai. Mesin akan berhenti secara otomatis saat dioperasikan jika mesin atau baterai mengalami salah satu dari kondisi-kondisi berikut ini:

Kelebihan beban:

Mesin dijalankan dengan cara yang menyebabkannya menarik arus tinggi yang tidak normal. Dalam situasi ini, matikan mesin dan hentikan pekerjaan yang menyebabkan mesin mengalami kelebihan beban. Kemudian, nyalakan mesin untuk kembali melanjutkan pekerjaan.

Jika mesin tidak menyala, baterai mengalami kelebihan panas. Dalam situasi ini, biarkan baterai mendingin sebelum kembali menyalakan mesin.

Tegangan baterai rendah:

Kapasitas baterai yang tersisa terlalu rendah dan mesin tidak akan beroperasi. Jika Anda menyalakan mesin, motor akan menyala lagi, tetapi segera berhenti. Untuk situasi ini, lepas dan isi ulang baterai.

Kerja sakelar

⚠PERINGATAN: Sebelum memasukkan kartrid baterai pada mesin, pastikan picu saklar berfungsi dengan baik dan kembali ke posisi "OFF" saat dilepas.

⚠PERINGATAN: Untuk keselamatan Anda, mesin ini dilengkapi tombol buka kunci untuk mencegah hidupnya mesin secara tidak sengaja. Jangan pernah menggunakan mesin jika mesin tersebut menyala ketika Anda hanya menarik pelatuk sakelarnya tanpa menekan tombol buka kunci. Mintalah kepada Pusat Layanan Makita terdekat untuk memperbaikinya.

⚠PERINGATAN: Jangan pernah menonaktifkan fungsi pengunci atau melakban tombol buka kunci.

PEMBERITAHUAN: Jangan menarik pelatuk sakelar dengan paksa tanpa menekan tombol buka kunci. Sakelar dapat patah.

► **Gbr.4:** 1. Tombol pengunci 2. Pelatuk sakelar

Untuk mencegah pelatuk sakelar tertarik dengan tidak sengaja, tersedia sebuah tombol pengunci. Untuk menjalankan mesin, tekan tombol buka kunci dan tarik pelatuk sakelar. Lepaskan pelatuk sakelar untuk berhenti. Tombol buka kunci dapat ditekan dari sisi kanan maupun kiri.

Menyetel sudut pemotongan

⚠PERHATIAN: Selalu pastikan bahwa mesin sudah dimatikan dan melipat atau membuka lipatan kepala.

⚠PERHATIAN: Saat melipat kepala untuk membawa mesin atau setelah menggunakan mesin, pastikan untuk memasang penutup mata pisau sebelum melipat kepala.

⚠PERHATIAN: Saat melipat kepala, berhati-hatilah agar jangan sampai jari Anda terjepit di antara kepala dan badan mesin.

Sudut kepala dapat disesuaikan dalam 10 tahap. Untuk mengubah sudut kepala, ikuti langkah-langkah di bawah ini.

1. Tahan kepala dan badan mesin sebagaimana ditunjukkan dalam gambar.
- **Gbr.5:** 1. Kepala 2. Tombol penyetel sudut
2. Sesuaikan sudut kepala sembari menahan tombol penyetel sudut, lalu lepaskan tombol penyetel sudut.
3. Gerakkan kepala sedikit hingga terkunci dengan bunyi klik.

CATATAN: Pastikan bawah kepala terkunci dengan kencang sebelum mengoperasikan mesin.

Menyesuaikan panjang pipa

PERHATIAN: Selalu pastikan bahwa mesin sudah dimatikan sebelum menyetel panjang pipa.

PERHATIAN: Saat menyetel panjang pipa, pastikan penutup mata pisau telah dipasang sebelum menyetel panjang pipa.

PERHATIAN: Saat menyetel panjang pipa, berhati-hatilah agar jari Anda tidak terjepit.

PERHATIAN: Pastikan tuas kunci terkunci dengan aman.

PERHATIAN: Saat menyesuaikan panjang pipa, letakkan mesin pada sisinya. Jika Anda mendirikan mesin tegak ke atas, kepala mesin akan jatuh secara tiba-tiba, yang akan menyebabkan cedera.

Kendurkan tuas kunci, kemudian setel panjang pipa, lalu kunci tuas kunci.

► **Gbr.6:** 1. Tuas kunci

Menyetel posisi gagang depan

PERHATIAN: Selalu pastikan bahwa mesin sudah dimatikan sebelum menyetel posisi gagang depan.

PERHATIAN: Saat menyetel posisi gagang depan, berhati-hatilah agar jari Anda tidak terjepit.

PERHATIAN: Pastikan mur sayap terpasang dengan kencang.

PERHATIAN: Jangan gerakan gagang depan melebihi tanda panah.

Untuk mengatur posisi gagang depan, kendurkan mur sayap dengan memutarinya berlawanan arah jarum jam, kemudian atur posisi gagang depan, lalu kencangkan mur sayap dengan memutarinya searah jarum jam.

► **Gbr.7:** 1. Mur sayap 2. Tanda panah

PERAKITAN

PERHATIAN: Selalu pastikan bahwa mesin dimatikan dan kartrid baterai dilepas sebelum melakukan pekerjaan apa pun pada mesin.

PERHATIAN: Ketika mengganti bilah pisau pemangkas, selalu kenakan sarung tangan agar tangan Anda tidak menyentuh mata pisau secara langsung.

Memasang atau melepas bilah pisau pemangkas

PERHATIAN: Pasang penutup pisau sebelum melepas atau memasang bilah pisau pemangkas.

PEMBERITAHUAN: Ketika mengganti bilah pisau pemangkas, jangan bersihkan gemuk pada gir dan engkol.

CATATAN: Sebelum memasang atau melepas bilah pisau pemangkas, buka lipatan kepada mesin sehingga kepala lurus terhadap bodi mesin.

1. Letakkan mesin dengan sisi atasnya berada di bawah.

2. Lepaskan 4 sekrup menggunakan obeng dan lepas bilah pisau pemangkas.

► **Gbr.8:** 1. Sekrup

3. Lepaskan engkol dari bilah pisau pemangkas.

► **Gbr.9:** 1. Engkol

CATATAN: Engkol dapat tetap terpasang pada dalam alat.

4. Siapkan engkol dan bilah pisau pemangkas yang baru.

► **Gbr.10:** 1. Engkol 2. Bilah pisau pemangkas

5. Lepaskan penutup mata pisau, dan kemudian pasang pada bilah pisau pemangkas yang baru.

6. Oleskan sedikit gemuk pada periferi engkol. Pasang cincin penutup, gir, dan engkol ke pin secara berurutan.

► **Gbr.11:** 1. Engkol 2. Gir 3. Cincin penutup 4. Pin

7. Setel engkol sehingga 2 lubang kecil di engkol sejajar pada garis seperti yang ditunjukkan pada gambar.

► **Gbr.12:** 1. Garis sejajar 2. Lubang kecil

8. Geser bilah pisau pemangkas, sehingga lubang pada pelat pemandu berada di tengah kedua cincin pisau.

► **Gbr.13:** 1. Pelat pemandu

9. Masukkan sekrup yang dilepas di langkah 2 ke lubang pada pisau pemangkas melalui lubang yang ada di penutup pisau.

► **Gbr.14:** 1. Lubang

10. Pasang pisau pemangkas ke alat kemudian kencangkan 3 sekrup menggunakan obeng.

► **Gbr.15:** 1. Sekrup

11. Lepaskan sekrup yang dipasang ke lubang pada mata pisau pemangkas dalam langkah 9, dan kemudian kencangkan untuk memasang mata pisau pemangkas.

PEMBERITAHUAN: Jika bilah pisau pemangkas tidak bekerja secara memadai, pisau tidak menjalankan engkol dengan benar. Lepaskan pisau dan pasang kembali.

PEMBERITAHUAN: Jika bagian selain bilah pisau pemangkas, misalnya engkol, telah aus, hubungi Pusat Servis Resmi Makita untuk penggantian atau perbaikan suku cadang.

Memasang atau melepas pengumpul serpihan

Pilihan aksesoris

⚠️ PERHATIAN: Ketika memasang atau melepas pengumpul serpihan, selalu kenakan sarung tangan agar tangan Anda tidak menyentuh bilah pisau pemangkas secara langsung.

⚠️ PERHATIAN: Pasang penutup pisau sebelum memasang atau melepaskan pengumpul serpihan.

Pengumpul serpihan mengumpulkan daun yang terbang dan membuat pembersihan selanjutnya lebih mudah. Dapat dipasang pada salah satu sisi mesin.

1. Sejajarkan lubang yang ada di pengumpul serpihan dengan mur pada bilah pisau pemangkas.
▶ **Gbr.16:** 1. Mur
2. Kaitkan penjepit pada pengumpul serpihan dengan alur pada bilah pisau pemangkas.
▶ **Gbr.17:** 1. Penjepit 2. Alur
3. Tekan tuas pada pengumpul serpihan, lalu kaitkan penjepit yang ada di sisi lainnya ke alur pada bilah pisau pemangkas.
▶ **Gbr.18:** 1. Tuas

Untuk melepas pengumpul serpihan, tekan tuas untuk melepas penjepit.

▶ **Gbr.19:** 1. Tuas

PEMBERITAHUAN: Jangan pernah melepas pengumpul serpihan dengan paksa saat penjepitnya masih terkunci pada alur bilah pisau pemangkas.

PENGUNAAN

Mengoperasikan mesin

⚠️ PERINGATAN: Jangan gunakan mesin di dekat saluran listrik. Kontak dengan saluran listrik atau menggunakan mesin di dekat saluran listrik dapat menyebabkan cedera serius atau sengatan listrik yang mengakibatkan kematian.

⚠️ PERINGATAN: Jauhkan tangan Anda dari bilah pisau pemangkas.

⚠️ PERINGATAN: Selalu berhati-hatilah dalam menjaga kendali mesin. Jangan biarkan mesin berbelok ke arah Anda atau siapa saja di lingkungan pengerjaan. Kelalaian dalam menjaga kendali mesin dapat mengakibatkan cedera serius pada orang sekitar dan operator.

⚠️ PERHATIAN: Hindari penggunaan alat dalam kondisi cuaca yang sangat panas jika memungkinkan. Saat menggunakan alat, jaga kondisi fisik Anda.

⚠️ PERHATIAN: Berhati-hatilah agar tidak menyentuh pagar besi atau benda keras lainnya selama pemotongan. Bilah pisau pemangkas dapat pecah dan dapat menimbulkan cedera.

⚠️ PERHATIAN: Berhati-hatilah agar bilah pisau pemangkas tidak bersentuhan dengan tanah. Mesin dapat terpejal dan dapat menimbulkan cedera.

⚠️ PERHATIAN: Berusaha menjangkau alat pemotong tanaman terlalu jauh terutama menggunakan tangga sangatlah berbahaya. Jangan bekerja di atas pijakan yang goyah atau tidak kuat.

PEMBERITAHUAN: Jangan mencoba memotong ranting dengan diameter yang lebih tebal dari 10 mm dengan alat ini. Potong cabang besar hingga 10 cm lebih rendah dibanding ketinggian pemotongan menggunakan pemotong cabang sebelum menggunakan mesin ini.

▶ **Gbr.20:** (1) Ketinggian pemotongan (2) 10 cm

PEMBERITAHUAN: Jangan potong pohon yang sudah mati atau benda keras lainnya. Jika dilakukan dapat mengakibatkan kerusakan mesin.

PEMBERITAHUAN: Jangan memotong rumput atau semak saat menggunakan bilah pisau pemangkas. Bilah pisau pemangkas dapat tersangkut di rumput atau semak.

Pegang mesin menggunakan kedua tangan dengan memegang gagang depan dan gagang belakang.

▶ **Gbr.21:** 1. Gagang depan 2. Gagang belakang

Tarik pelatuk sakelar sembari menekan tombol buka kunci, lalu gerakkan mesin ke depan.

▶ **Gbr.22**

Untuk pengoperasian dasar, miringkan bilah pisau sesuai arah pemotongan lalu gerakkan dengan tenang dan perlahan dengan kecepatan rata-rata 3 hingga 4 detik per meter.

▶ **Gbr.23**

Untuk memotong bagian sisi tanaman dengan rata, potonglah dari bawah ke atas.

▶ **Gbr.24**

Ketika memotong untuk membuat bentuk bulat (memotong semak atau rhododendron, dll), potong dari bagian akar ke atas untuk hasil yang indah.

▶ **Gbr.25**

Jika pengumpul serpihan terpasang pada bilah pisau pemangkas, alat ini akan mengumpulkan daun yang terbang dan membuat pembersihan selanjutnya lebih mudah.

▶ **Gbr.26**

PERAWATAN

⚠️ PERHATIAN: Selalu pastikan bahwa mesin dimatikan dan kartrid baterai dilepas sebelum melakukan pemeriksaan atau perawatan.

⚠️ PERHATIAN: Ketika memeriksa dan merawat mesin, selalu letakkan mesin bawah. Merakit dan menyetel mesin pada posisi tegak lurus dapat mengakibatkan cedera serius.

Untuk menjaga KEAMANAN dan KEANDALAN mesin, perbaikan, perawatan atau penyetelan lainnya harus dilakukan oleh Pusat Layanan Resmi atau Pabrik Makita; selalu gunakan suku cadang pengganti buatan Makita.

Membersihkan mesin

Bersihkan mesin dari debu menggunakan kain kering atau dicelupkan di air sabun dan diperas.

PEMBERITAHUAN: Jangan sekali-kali menggunakan bensin, tiner, alkohol, atau bahan sejenisnya. Penggunaan bahan demikian dapat menyebabkan perubahan warna, perubahan bentuk atau timbulnya retakan.

Perawatan bilah pisau pemangkas

Sebelum mengoperasikan atau satu jam sekali saat mengoperasikan, oleskan oli dengan viskositas rendah (oli mesin atau oli pelumas jenis semprot) pada bilah pisau pemangkas.

► Gbr.27

Setelah pengoperasian, bersihkan debu pada kedua sisi bilah pisau pemangkas menggunakan sikat kawat, bersihkan dengan kain, lalu oleskan oli dengan viskositas rendah (oli mesin atau oli pelumas jenis semprot) pada bilah pisau pemangkas.

► Gbr.28

PEMBERITAHUAN: Jangan cuci bilah pisau pemangkas dengan air. Mencuci bilah pisau dengan air dapat mengakibatkan karat atau kerusakan mesin.

PEMBERITAHUAN: Debu dan korosi menyebabkan gesekan pisau berlebih dan mengurangi waktu operasi tiap pengisian daya baterai.

Penyimpanan

Pasang penutup bilah pisau pada bilah pisau agar bilah pisau tidak dalam keadaan tidak terlindung. Simpan mesin jauh dari jangkauan anak-anak. Simpan mesin di tempat yang terlindung dari kelembapan atau hujan.

PEMECAHAN MASALAH

Sebelum meminta perbaikan, lakukan pemeriksaan mandiri terlebih dahulu. Jika Anda menemukan masalah yang tidak dijelaskan dalam buku petunjuk ini, jangan coba membongkar mesin. Sebaliknya, hubungi Pusat Servis Resmi Makita, dan selalu gunakan suku cadang pengganti Makita untuk perbaikan.

Kondisi Tidak Normal	Kemungkinan penyebab (kerusakan fungsi)	Perbaikan
Motor tidak berjalan.	Kartrid baterai tidak terpasang.	Pasang kartrid baterai.
	Masalah baterai (kekurangan tegangan)	Isi ulang daya baterai. Jika pengisian ulang daya tidak berhasil, gantilah baterai.
	Sistem penggerak tidak bekerja secara benar.	Mintalah pusat servis resmi setempat untuk melakukan perbaikan.
Motor berhenti setelah digunakan sebentar, atau motor tidak bekerja.	Daya baterai rendah.	Isi ulang daya baterai. Jika pengisian ulang daya tidak berhasil, gantilah baterai.
	Panas berlebih.	Hentikan penggunaan mesin untuk memungkinkannya mendingin.
Mesin tidak mencapai RPM maksimum.	Baterai dipasang secara tidak tepat.	Pasang kartrid baterai sebagaimana diuraikan dalam buku petunjuk ini.
	Daya baterai menurun.	Isi ulang daya baterai. Jika pengisian ulang daya tidak berhasil, gantilah baterai.
	Sistem penggerak tidak bekerja secara benar.	Mintalah pusat servis resmi setempat untuk melakukan perbaikan.
Bilah pisau pemangkas tidak bergerak: ⇒ segera hentikan mesin!	Sudut bilah pisau pemangkas tidak tepat.	Pastikan bahwa kepala terkunci dengan kuat dalam sudut operasional.
	Benda asing tersangkut di antara bilah pisau pemangkas.	Matikan mesin dan lepaskan kartrid baterai, dan kemudian singkirkan benda asing yang tersangkut menggunakan alat seperti tang.
	Sistem penggerak tidak bekerja secara benar.	Mintalah pusat servis resmi setempat untuk melakukan perbaikan.
Getaran tidak normal: ⇒ segera hentikan mesin!	Bilah pisau pemangkas rusak, tertekuk atau aus.	Ganti bilah pisau pemangkas.
	Sistem penggerak tidak bekerja secara benar.	Mintalah pusat servis resmi setempat untuk melakukan perbaikan.
Bilah pisau pemangkas dan motor tidak dapat berhenti: ⇒ Segera lepaskan baterai!	Kerusakan listrik.	Lepas baterai dan mintalah pusat servis resmi setempat untuk melakukan perbaikan.

AKSESORI PILIHAN

⚠ PERHATIAN: Dianjurkan untuk menggunakan aksesoris atau perangkat tambahan ini dengan mesin Makita Anda yang ditentukan dalam petunjuk ini. Penggunaan aksesoris atau perangkat tambahan lain bisa menyebabkan risiko cedera pada manusia. Hanya gunakan aksesoris atau perangkat tambahan sesuai dengan peruntukannya.

Jika Anda memerlukan bantuan lebih rinci berkenaan dengan aksesoris ini, tanyakan pada Pusat Layanan Makita terdekat.

- Rakitan bilah pisau pemangkas
- Pengumpul serpihan
- Wadah gemuk
- Baterai dan pengisi daya asli Makita

CATATAN: Beberapa item dalam daftar tersebut mungkin sudah termasuk dalam paket mesin sebagai aksesoris standar. Hal tersebut dapat berbeda dari satu negara ke negara lainnya.

SPESIFIKASI

Model:	UN460WD
Panjang bilah	460 mm
Lejang seminit	3,600 min ⁻¹
Sudut bilah pemotong	135° (atas 60°, bawah 75°)
Panjang keseluruhan	1,889 - 2,511 mm
Voltan terkadar	D.C. 10.8 V - 12 V maks
Berat bersih	2.8 - 3.0 kg

- Disebabkan program penyelidikan dan pembangunan kami yang berterusan, spesifikasi yang terkandung di dalam ini adalah tertakluk kepada perubahan tanpa notis.
- Spesifikasi mungkin berbeza mengikut negara.
- Berat mungkin berbeza bergantung kepada pemasangan, termasuk kartrij bateri. Kombinasi paling ringan dan paling berat, mengikut Prosedur EPTA 01/2014, ditunjukkan di dalam jadual.

Kartrij bateri dan pengecas yang boleh digunakan






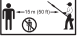
Kartrij bateri	BL1016 / BL1021B / BL1041B
Pengecas	DC10SA / DC10SB / DC10WC / DC10WD / DC18RE

- Sesetengah kartrij bateri dan pengecas yang disenaraikan di atas mungkin tidak tersedia bergantung pada kawasan kediaman anda.

⚠️ AMARAN: Gunakan hanya kartrij bateri dan pengecas yang disenaraikan di atas. Penggunaan mana-mana kartrij bateri dan pengecas yang lain mungkin menyebabkan kecederaan dan/atau kebakaran.

Simbol

Berikut menunjukkan simbol-simbol yang boleh digunakan untuk alat ini. Pastikan anda memahami maksudnya sebelum menggunakan.

	Baca manual arahan.
	Jangan dedahkan kepada kelembapan.
	Pakai topi keledar, gogal dan pelindung telinga.
	BAHAYA - Jauhkan tangan daripada bilah.
	Berhati-hati dengan wayar elektrik, risiko kejutan elektrik.
	Kekalkan jarak sekurang-kurangnya 15 m.



Hanya untuk negara-negara EU
Disebabkan kehadiran komponen berbahaya dalam peralatan, sisa peralatan elektrik dan elektronik, akumulator dan bateri boleh memberi kesan negatif terhadap persekitaran dan kesihatan manusia.

Jangan buang alat elektrik dan elektronik atau bateri bersama dengan bahan buangan isi rumah!
Mengikut Arahan Eropah mengenai sisa peralatan elektrik dan elektronik dan mengenai akumulator dan bateri dan sisa akumulator dan bateri serta penyesuaian dengan undang-undang negara, sisa peralatan elektrik, bateri dan akumulator hendaklah disimpan secara berasingan dan dihantar ke tempat pengumpulan berasingan untuk sisa perbandaran, beroperasi mengikut peraturan perlindungan persekitaran.
Ini ditunjukkan oleh simbol tong sampah beroda yang bersilang pada peralatan.



Aras kuasa bunyi terjamin menurut Arahan Redam Di Luar Kesatuan Eropah.



Aras kuasa bunyi menurut Peraturan Kawalan Redam NSW, Australia

Tujuan penggunaan

Alat ini bertujuan untuk memangkas tanaman pagar.

AMARAN KESELAMATAN

Amaran keselamatan umum alat kuasa

⚠️ AMARAN: Baca semua amaran keselamatan, arahan, ilustrasi dan spesifikasi yang disediakan dengan alat kuasa ini. Kegagalan mengikut amaran dan arahan boleh menyebabkan kejutan elektrik, kebakaran dan/atau kecederaan serius.

Simpan semua amaran dan arahan untuk rujukan masa depan.

Istilah "alat kuasa" dalam amaran merujuk kepada alat kuasa yang menggunakan tenaga elektrik (kabel) atau alat kuasa yang menggunakan bateri (tanpa kord).

Keselamatan kawasan kerja

1. **Pastikan kawasan kerja bersih dan terang.** Kawasan berselerak atau gelap mengundang kemalangan.
2. **Jangan kendalikan alat kuasa dalam keadaan yang mudah meletup, seperti dalam kehadiran cecair, gas atau habuk yang mudah terbakar.** Alat kuasa menghasilkan percikan api yang boleh menyalakan debu atau wasap.
3. **Jauhkan kanak-kanak dan orang ramai semasa mengendalikan alat kuasa.** Gangguan boleh menyebabkan anda hilang kawalan.

Keselamatan elektrik

1. **Palam alat kuasa mesti sepadan dengan soket.** Jangan ubah suai palam dalam apa cara sekalipun. Jangan gunakan sebarang palam penyesuai dengan alat kuasa terbumi. Palam yang tidak diubah suai dan soket yang sepadan akan mengurangkan risiko kejutan elektrik.
2. **Elakkan sentuhan badan dengan permukaan terbumi, seperti paip, radiator, dapur dan peti sejuk.** Terdapat peningkatan risiko kejutan elektrik jika elektrik terbumi terkena badan anda.
3. **Jangan biarkan alat kuasa terkena hujan atau basah.** Air yang memasuki alat kuasa akan meningkatkan risiko kejutan elektrik.
4. **Jangan salah gunakan kord.** Jangan gunakan kord untuk membawa, menarik atau mencabut palam alat kuasa. Jauhkan kord dari haba, minyak, bucu tajam atau bahagian yang bergerak. Kord yang rosak atau tersimpul meningkatkan risiko kejutan elektrik.
5. **Semasa mengendalikan alat kuasa di luar, gunakan kord sambungan yang bersesuaian untuk kegunaan luar.** Penggunaan kord yang sesuai untuk kegunaan luar mengurangkan risiko kejutan elektrik.
6. **Sekiranya pengendalian alat kuasa di lokasi lembap tidak dapat dielakkan, gunakan bekalan peranti arus sisa (RCD) yang dilindungi.** Penggunaan RCD mengurangkan risiko kejutan elektrik.

7. **Alat kuasa boleh menghasilkan medan elektromagnetik (EMF) yang tidak berbahaya kepada pengguna.** Walau bagaimanapun, pengguna perentak jantung atau peranti perubatan yang serupa harus menghubungi pembuat peranti mereka dan/atau doktor untuk nasihat sebelum mengendalikan alat kuasa ini.

Keselamatan diri

1. **Sentiasa berwaspada, perhatikan apa yang anda lakukan dan guna akal budi semasa mengendalikan alat kuasa. Jangan gunakan alat kuasa semasa anda letih atau di bawah pengaruh dadah, alkohol atau ubat.** Kelekaan seketika semasa mengendalikan alat kuasa boleh menyebabkan kecederaan diri yang serius.
2. **Gunakan peralatan pelindung diri. Sentiasa pakai pelindung mata.** Peralatan pelindung seperti topeng debu, kasut keselamatan tak mudah tergelincir, topi keselamatan atau pelindung pendengaran yang digunakan untuk keadaan yang sesuai akan mengurangkan kecederaan diri.
3. **Elakkan permulaan yang tidak disengajakan. Pastikan suis ditutup sebelum menyambung kepada sumber kuasa dan/atau pek bateri, semasa mengangkat atau membawa alat.** Membawa alat kuasa dengan jari anda pada suis atau menahan alat kuasa dengan suis pada kedudukan hidup mengundang kemalangan.
4. **Alihkan sebarang kunci atau sepana pelaras sebelum menghidupkan alat kuasa.** Sepana atau kunci yang ditinggalkan pada bahagian berputar alat kuasa boleh menyebabkan kecederaan diri.
5. **Jangan lampau jangkau. Jaga pijakan dan keseimbangan yang betul pada setiap masa.** Ini membolehkan kawalan alat kuasa yang lebih baik dalam situasi yang tidak dijangka.
6. **Berpakaian dengan betul. Jangan pakai pakaian yang longgar atau barang kemas. Jauhkan rambut dan pakaian anda dari bahagian yang bergerak.** Pakaian longgar, barang kemas atau rambut yang panjang boleh terperangkap dalam bahagian yang bergerak.
7. **Jika peranti disediakan untuk sambungan kemudahan pengekstrakan dan pengumpulan habuk, pastikan ia disambung dan digunakan dengan betul.** Penggunaan pengumpulan habuk boleh mengurangkan bahaya berkaitan habuk.
8. **Jangan biarkan kebiasaan daripada kekerapan penggunaan alat membuat anda berpuas hati dan mengabaikan prinsip keselamatan alat.** Keceuaian boleh menyebabkan kecederaan serius dalam sekelip mata.
9. **Sentiasa pakai gogal pelindung untuk melindungi mata anda daripada kecederaan apabila menggunakan alat kuasa.** Gogal mestilah mematuhi ANSI Z87.1 di AS, EN 166 di Eropah, atau AS/NZS 1336 di Australia/New Zealand. Di Australia/New Zealand, undang-undang mengarahkan untuk memakai pelindung muka bagi melindungi muka anda, juga.



Menjadi tanggungjawab majikan untuk menguatkuasa penggunaan peralatan perlindungan keselamatan yang bersesuaian oleh pengendali alat dan oleh orang lain dalam kawasan bekerja semasa.

Penggunaan dan penjagaan alat kuasa

1. **Jangan gunakan alat kuasa dengan kasar. Gunakan alat kuasa yang betul untuk penggunaan anda.** Alat kuasa yang betul akan melakukan tugas dengan lebih baik dan lebih selamat pada kadar mana ia direka cipta.
2. **Jangan gunakan alat kuasa jika suis tidak berfungsi untuk menghidupkan dan mematikannya.** Alat kuasa yang tidak dapat dikawal dengan suis adalah berbahaya dan mesti dibaiki.
3. **Cabut palam dari sumber kuasa dan/atau keluarkan pek bateri, jika boleh ditanggalkan, dari alat kuasa sebelum membuat sebarang pelarasan, menukar aksesori, atau menyimpan alat kuasa.** Langkah-langkah keselamatan pencegahan sedemikian mengurangkan risiko memulakan alat kuasa secara tidak sengaja.
4. **Simpan alat kuasa yang tidak digunakan jauh dari jangkauan kanak-kanak dan jangan biarkan orang yang tidak biasa dengan alat kuasa atau arahan ini untuk mengendalikan alat kuasa.** Alat kuasa adalah berbahaya di tangan pengguna yang tidak terlatih.
5. **Menyelenggara alat kuasa dan aksesori. Periksa salah jajaran atau ikatan pada bahagian yang bergerak, bahagian yang pecah dan apa-apa keadaan lain yang boleh menjejaskan operasi alat kuasa. Jika rosak,baiki alat kuasa sebelum digunakan.** Kebanyakan kemalangan adalah disebabkan oleh alat kuasa yang tidak dijaga dengan baik.
6. **Pastikan alat pemotong tajam dan bersih.** Alat pemotong yang dijaga dengan betul dengan hujung pemotong yang tajam mempunyai kemungkinan yang rendah untuk terikat dan lebih mudah dikendalikan.
7. **Gunakan alat kuasa, aksesori dan alat bit dan sebagainya mengikut arahan ini dengan mengambil kira keadaan kerja dan kerja yang perlu dilakukan.** Penggunaan alat kuasa untuk operasi yang berbeza dari yang dimaksudkan boleh menyebabkan keadaan berbahaya.

8. **Pastikan pemegang dan permukaan pegangan kering, bersih dan bebas dari minyak dan gris.** Pemegang dan permukaan pegangan yang licin tidak membolehkan pengendalian dan kawalan selamat bagi alat dalam situasi yang tidak dijangka.
9. **Apabila menggunakan alat, jangan pakai sarung tangan kerja kain yang mungkin boleh kusut.** Kekusutan sarung tangan kerja kain pada bahagian yang bergerak boleh menyebabkan kecederaan diri.

Penggunaan dan penjagaan alat bateri

1. **Cas semula dengan pengecas yang ditentukan oleh pengeluar sahaja.** Pengecas yang sesuai untuk satu jenis pek bateri mungkin menimbulkan risiko kebakaran apabila digunakan dengan pek bateri lain.
2. **Gunakan alat kuasa dengan pek bateri yang ditentukan secara khusus sahaja.** Penggunaan mana-mana pek bateri lain mungkin menimbulkan risiko kecederaan dan kebakaran.
3. **Apabila pek bateri tidak digunakan, jauhkannya daripada objek besi lain, seperti klip kertas, duit syiling, paku, skru atau objek besi kecil lain, yang boleh membuat sambungan dari satu terminal ke yang lain.** Memintas terminal bateri bersama-sama mungkin menyebabkan lecuran atau kebakaran.
4. **Di bawah keadaan kasar, cecair mungkin dikeluarkan daripada bateri; elakkan sentuhan. Jika tersentuh secara tidak sengaja, siram dengan air. Jika cecair terkena mata, dapatkan bantuan perubatan di samping siraman air.** Cecair yang dikeluarkan dari bateri mungkin menyebabkan kegatalan atau lecuran.
5. **Jangan gunakan pek bateri atau alat yang rosak atau diubah suai.** Bateri yang rosak atau diubah suai mungkin menunjukkan perilaku yang tidak dijangka menyebabkan kebakaran, letupan atau risiko kecederaan.
6. **Jangan dedahkan pek bateri atau alat kepada api atau suhu yang berlebihan.** Pendedahan kepada api atau suhu melebihi 130 °C mungkin menyebabkan letupan.
7. **Ikut semua arahan pengecasan dan jangan cas pek bateri atau alat di luar julat suhu yang ditetapkan dalam arahan.** Mengecas dengan tidak betul atau pada suhu di luar julat yang dinyatakan mungkin merosakkan bateri dan meningkatkan risiko kebakaran.

Servis

1. **Pastikan alat kuasa anda diservis oleh orang yang berkelayakan dengan hanya menggunakan alat ganti yang sama.** Ini akan memastikan keselamatan alat kuasa dapat dikekalkan.
2. **Jangan servis pek bateri yang telah rosak.** Servis pek bateri hanya boleh dilakukan oleh pengeluar atau penyedia servis yang sah.
3. **Ikut arahan untuk melincir dan menukar aksesori.**

Amaran Keselamatan Pemangkas Tanaman Pagar Tiang Tanpa Kord

1. **Jauhkan semua anggota tubuh badan daripada bilah. Jangan keluarkan bahan yang dipotong atau pegang bahan yang hendak dipotong semasa bilah sedang bergerak.** Bilah terus berputar selepas suis dimatikan. Kelekaan seketika semasa mengendalikan pemangkas tanaman pagar boleh menyebabkan kecederaan diri yang serius.
2. **Bawa pemangkas tanaman pagar dengan memegang pemegang dan bilah dihentikan dan berhati-hati agar tidak mengoperasikan sebarang suis kuasa.** Membawa pemangkas tanaman pagar dengan betul akan mengurangkan risiko permulaan yang tidak disengajakan dan kecederaan diri yang diakibatkan oleh bilah.
3. **Apabila tersangkut atau menyimpang pemangkas tanaman pagar, sentiasa pasang penutup bilah.** Pengendalian pemangkas tanaman pagar yang betul akan mengurangkan kecederaan diri yang diakibatkan oleh bilah.
4. **Semasa membersihkan bahan yang tersangkut atau melakukan servis pada unit, pastikan semua suis kuasa dimatikan dan pek bateri dikeluarkan atau diputuskan sambungan.** Penggerakan pemangkas tanaman pagar yang tidak dijangka semasa membersihkan bahan yang tersangkut atau melakukan servis boleh mengakibatkan kecederaan diri yang serius.
5. **Pegang pemangkas tanaman pagar dengan permukaan mencengkam tertebat sahaja, kerana bilah boleh tersentuh wayar tersembunyi.** Bilah bersentuh wayar "hidup" mungkin menyebabkan bahagian logam terdedah pemangkas tanaman pagar "hidup" dan boleh memberi kejutan elektrik kepada pengendali.
6. **Jauhkan semua kord dan kabel kuasa dari kawasan pemotongan.** Kord dan kabel kuasa mungkin tersembunyi dalam tanaman pagar dan semak dan boleh terpotong secara tidak sengaja.
7. **Jangan gunakan pemangkas tanaman pagar ini dalam keadaan cuaca yang buruk terutamanya apabila terdapat risiko kilat.** Ini mengurangkan risiko disambar petir.
8. **Untuk mengurangkan risiko renjatan elektrik, jangan sekali-kali menggunakan pemangkas tanaman pagar tiang berdekatan dengan mana-mana talian kuasa elektrik.** Bersentuhan dengan atau menggunakan alat berdekatan dengan talian kuasa boleh menyebabkan kecederaan serius atau kejutan elektrik yang mengakibatkan kematian.
9. **Sentiasa gunakan dua tangan semasa mengendalikan pemangkas tanaman pagar tiang.** Pegang pemangkas tanaman pagar tiang dengan kedua-dua tangan untuk mengelakkan daripada hilang kawalan.
10. **Sentiasa gunakan pelindung kepala semasa mengendalikan pemangkas tanaman pagar tiang di atas kepala.** Serpihan yang jatuh boleh mengakibatkan kecederaan diri yang serius.

Arahan Keselamatan Tambahan

Penyediaan

1. **PEMANGKAS TANAMAN PAGAR INI BOLEH MENYEBABKAN KECEDEeraan YANG SERIUS.** Baca manual arahan dengan teliti untuk pengendalian, penyediaan, penyelenggaraan, memulakan dan menghentikan alat dengan betul. Biasakan diri dengan semua kawalan dan penggunaan alat yang betul.
2. **Periksa tanaman pagar atau semak untuk objek asing, seperti pagar wayar atau wayar tersembunyi sebelum mengendalikan alat.**
3. **Alat mestilah tidak digunakan oleh kanak-kanak atau individu muda yang di bawah umur 18 tahun.** Orang muda yang melebihi umur 16 tahun mungkin boleh dikecualikan daripada sekatan ini jika mereka telah melalui latihan di bawah penyeliaan pakar.
4. **Jika berlaku kecemasan, matikan alat ini dan keluarkan kartrij bateri dengan segera.**
5. **BAHAYA - Jauhkan tangan daripada bilah.** Sentuhan dengan bilah akan menyebabkan kecederaan diri yang serius.
6. **Pengguna kali pertama perlu mendapatkan pengguna yang berpengalaman untuk menunjukkan mereka cara menggunakan alat.**
7. **Sebelum operasi, periksa kawasan kerja jika terdapat pagar dawai, batu atau objek keras yang lain.** Perkara tersebut boleh merosakkan bilah.
8. **Gunakan alat hanya jika anda berada dalam keadaan fizikal yang baik.** Jika anda penat, tumpuan anda akan berkurang. Lebih berhati-hati pada penghujung hari bekerja. Lakukan semua kerja dengan tenang dan berhati-hati. Pengguna bertanggungjawab bagi semua kerosakan kepada pihak ketiga.
9. **Sebelum memulakan kerja, periksa untuk memastikan alat berfungsi dengan baik dan selamat.** Pastikan pelindung dipasang dengan betul. Alat mestilah tidak digunakan melainkan telah dipasang sepenuhnya.
10. **Elakkan persekitaran yang bahaya.** Jangan gunakan alat dalam lokasi lembap atau basah atau mendedahkannya kepada hujan. Air yang memasuki alat akan meningkatkan risiko kejutan elektrik.

Peralatan pelindung diri

1. **Sarung tangan kulit yang kukuh adalah sebahagian daripada peralatan asas alat dan mestilah sentiasa dipakai apabila bekerja dengannya.** Pakai juga kasut yang tegap dengan tapak anti gelincir.
2. **Pakai perlindungan telinga seperti sarung telinga untuk mengelakkan kehilangan pendengaran.**
3. **Pakai gogal perlindungan, topi keledar keselamatan dan sarung tangan perlindungan untuk melindungi diri anda daripada serpihan yang terpelanting atau objek yang jatuh.**

4. Apabila menyentuh bilah atau melaraskan sudut bilah, pakai sarung tangan perlindungan. Bilah boleh memotong tangan tanpa perlindungan dengan teruk.

Operasi

1. **Sentiasa gunakan dua tangan untuk mengendalikan alat.** Menggunakan satu tangan boleh menyebabkan hilang kawalan dan mengakibatkan kecederaan diri yang serius.
2. **Semasa mengendalikan alat, sentiasa pastikan kedudukan operasi adalah selamat dan kukuh.** Mencapai secara berlebihan dengan alat, terutamanya dari tangga adalah sangat berbahaya. Jangan kendalikannya dari tempat yang bergoyang-goyang atau tidak kukuh.
3. **Jangan pakai abah-abah tali pinggang dan/ atau abah-abah bahu secara serentak semasa mengendalikan alat.**
4. **Semasa operasi, pastikan pemerhati atau haiwan sekurang-kurangnya 15 m jauh dari alat tersebut.** Hentikan alat itu sebaik sahaja seseorang mendekati.
5. **Jika alat pemotong terkena mana-mana objek atau alat mula mengeluarkan bunyi atau getaran yang luar biasa, matikan alat dan keluarkan kartrij bateri dengan segera dan biarkan alat berhenti.** Dan kemudian ambil langkah berikut:
 - periksa kerosakan
 - periksa dan ketatkan mana-mana bahagian yang longgar
 - ganti atau baiki mana-mana bahagian yang rosak dengan alat ganti asli.
6. **Hanya gunakan alat untuk tujuan yang dimaksudkan.** Jangan gunakan alat untuk mana-mana tujuan lain.
7. **Matikan alat dan keluarkan kartrij bateri sebelum:**
 - membersihkan atau apabila mengeluarkan sumbatan,
 - memeriksa, menjalankan penyelenggaraan atau menggunakan alat,
 - melaraskan kedudukan kerja bilah ricih,
 - meninggalkan alat tanpa pengawasan.
8. **Pastikan alat diletakkan dengan betul di kedudukan kerja yang ditentukan sebelum memulakan alat.**
9. **Jangan kendalikan alat dengan bilah ricih yang rosak atau terlebih haus.**
10. **Sentiasa peka dengan keadaan sekeliling anda dan berhati-hati dengan kemungkinan bahaya yang mungkin anda tidak ambil perhatian disebabkan bunyi alat.**
11. **Berhati-hati agar tidak menyentuh pagar besi atau objek keras yang lain tanpa sengaja semasa operasi.** Bilah akan pecah dan boleh menyebabkan kecederaan yang serius.
12. **Elakkan permulaan yang tidak disengajakan.** Jangan bawa alat apabila kartrij bateri dipasang dan dengan jari berada pada suis. Pastikan alat dimatikan semasa memasang kartrij bateri.

13. **Jangan genggam bilah pemotong yang terdedah atau tepi pemotongan semasa mengutip atau memegang alat.**
14. **Jangan paksa alat.** Ia akan berfungsi dengan lebih baik dan risiko kecederaan akan kurang berlaku pada kadar ia direka bentuk.
15. **Jangan gunakan alat dalam hujan atau dalam keadaan basah atau sangat lembap.** Motor elektrik tidak kalis air.
16. **Pegang alat dengan kukuh apabila menggunakan alat.**
17. **Jangan kendalikan alat tanpa beban tanpa keperluan.**
18. **Sebelum memeriksa bilah ricih, uruskan kerosakan atau keluarkan objek asing yang tersekat pada bilah ricih, sentiasa matikan alat dan keluarkan kartrij bateri.**
19. **Jangan sekali-kali halakan bilah ricih pada diri anda atau orang lain.**
20. **Jika bilah berhenti bergerak akibat objek asing yang tersangkut di antara bilah semasa operasi, matikan alat dan keluarkan kartrij bateri, dan kemudian keluarkan objek asing menggunakan alat seperti player.** Mengeluarkan objek asing menggunakan tangan boleh menyebabkan kecederaan oleh sebab bilah mungkin bergerak sebagai tindak balas mengeluarkan objek asing.

Keselamatan elektrik dan bateri

1. **Elakkan persekitaran yang bahaya.** Jangan gunakan alat dalam lokasi sampah atau basah atau mendedharkannya kepada hujan. Air yang memasuki alat akan meningkatkan risiko kejutan elektrik.
2. **Jangan hapuskan bateri dengan membakarnya.** Sel mungkin meletup. Periksa dengan kod tempatan untuk kemungkinan arahan pelupusan khas.
3. **Jangan buka atau merosakkan bateri.** Elektrolit yang dibebaskan adalah menghakis dan boleh menyebabkan kerosakan kepada mata atau kulit. Ia mungkin toksik jika tertelan.
4. **Jangan cas bateri dalam hujan, atau di lokasi yang basah.**
5. **Jangan cas bateri di luar.**
6. **Jangan kendalikan pengecas, termasuk palam pengecas, dan terminal pengecas dengan tangan yang basah.**

Penyelenggaraan dan penyimpanan

1. **Apabila alat dihentikan untuk penservisan, pemeriksaan atau penyimpanan, matikan alat dan keluarkan kartrij bateri dan pastikan semua bahagian yang bergerak telah berhenti.** Biarkan alat menyejuk sebelum membuat pemeriksaan, pelarasan dan sebagainya.
2. **Sentiasa biarkan alat menyejuk sebelum menyimpan.**
3. **Apabila tidak digunakan, pasang penutup bilah pada alat dan simpan alat di dalam bangunan di tempat yang kering dan tinggi serta terkunci, jauh daripada jangkauan kanak-kanak.**

4. Selenggara alat dengan berhati-hati. Pastikan tepi pemotong tajam dan bersih untuk prestasi yang terbaik dan untuk mengurangkan risiko kecederaan. Ikut arahan untuk melincir dan menukar aksesori. Pastikan gengaman kering, bersih dan bebas daripada minyak dan gris.
5. Periksa bahagian yang rosak. Sebelum menggunakan alat dengan lebih lanjut, mana-mana bahagian yang rosak harus diperiksa dengan berhati-hati untuk menentukan yang alat beroperasi dengan betul dan berfungsi seperti yang dimaksudkan. Periksa penjarangan bahagian yang bergerak, keterikatan bahagian yang bergerak, bahagian yang pecah, cagakan dan sebarang keadaan lain yang boleh menjejaskan operasi alat. Pengadang atau bahagian lain yang rosak harus dibaiki dengan betul atau diganti oleh pusat servis anda yang diiktiraf.
6. Gunakan alat ganti asli sahaja.
7. Apabila memindahkan alat ke lokasi lain, termasuklah ketika bekerja, sentiasa keluarkan kartrij bateri dan pasangkan penutup bilah pada bilah ricih. Jangan sekali-kali membawa atau mengangkut alat semasa bilah berjalan. Jangan sekali-kali pegang bilah dengan tangan anda.
8. Bersihkan alat dan terutamanya bilah ricih selepas digunakan, dan sebelum meletakkan alat ke dalam tempat simpanan untuk masa yang lama. Letakkan sedikit minyak pada bilah ricih dan pasangkan penutup bilah.
9. Jangan lupuskan bateri dengan membakar bateri tersebut. Sel mungkin meletup. Periksa dengan kod tempatan untuk kemungkinan arahan pelupusan khas.
10. Jangan buka atau merosakkan bateri. Elektrolit yang dibebaskan adalah menghakis dan boleh menyebabkan kerosakan kepada mata atau kulit. Ia mungkin toksik jika tertelan.
11. Jangan cas bateri dalam hujan, atau di lokasi yang basah.
2. Jangan buka atau cabut kartrij bateri. Ia boleh mengakibatkan kebakaran, haba berlebihan, atau letupan.
3. Jika masa operasi menjadi sangat pendek, berhenti operasi serta merta. Ia mungkin menyebabkan risiko pemanasan lampau, meletur bahkan letupan.
4. Jika elektrolit masuk ke dalam mata anda, bilas mata dengan air jernih dan dapatkan rawatan perubatan serta merta. Ia mungkin menyebabkan kehilangan penglihatan.
5. Jangan pintaskan kartrij bateri:
 - (1) Jangan sentuh terminal dengan bahan berkonduksi.
 - (2) Elakkan menyimpan kartrij bateri dalam bekas bersama-sama objek besi lain seperti paku, duit syiling, dll.
 - (3) Jangan dedahkan kartrij bateri kepada air atau hujan.
 Pintasan bateri boleh menyebabkan aliran kuasa yang besar, pemanasan lampau, meletur dan juga kerosakan.
6. Jangan simpan dan gunakan alat dan kartrij bateri di lokasi yang suhunya mungkin mencapai atau melebihi 50 °C (122 °F).
7. Jangan bakar kartrij bateri walaupun jika ia rosak teruk atau haus sepenuhnya. Kartrij bateri boleh meletup dalam kebakaran.
8. Jangan paku, potong, pecahkan, buang, jatuhkan kartrij bateri, atau tekan objek keras pada kartrij bateri. Perbuatan sedemikian boleh mengakibatkan kebakaran, haba berlebihan, atau letupan.
9. Jangan gunakan bateri yang rosak.
10. Bateri litium ion yang terkandung adalah tertakluk kepada keperluan Perundangan Barangan Berbahaya. Bagi pengangkutan komersil cth. oleh pihak ketiga, ejen penghantar, keperluan khas pada pembungkusan dan pelabelan mestilah diperhatikan. Bagi persediaan item yang dihantar, berunding dengan pakar bahan berbahaya adalah diperlukan. Sila juga perhatikan sebolehnya peraturan kebangsaan yang lebih terperinci. Lekatkan atau balut bahagian terbuka dan pek bateri supaya ia tidak bergerak dalam pembungkusan.

SIMPAN ARAHAN INI.

⚠️AMARAN: JANGAN biarkan keselesaan atau kebiasaan dengan produk (diperoleh dari kegunaan berulang) menggantikan pematuhan ketat terhadap peraturan keselamatan untuk produk yang ditetapkan. SALAH GUNA atau kegagalan mematuhi peraturan-peraturan keselamatan yang dinyatakan dalam manual arahan ini boleh menyebabkan kecederaan diri yang serius.

Arahan keselamatan penting untuk kartrij bateri

1. Sebelum menggunakan kartrij bateri, baca semua arahan dan tanda amaran pada (1) pengecas bateri, (2) bateri, dan (3) produk menggunakan bateri.
11. Apabila melupuskan kartrij bateri, keluarkan ia daripada alat dan lupuskan ia di tempat selamat. Ikut peraturan tempatan anda mengenai pelupusan bateri.
12. Gunakan bateri hanya dengan produk yang ditentukan oleh Makita. Memasang bateri kepada produk yang tidak patuh mungkin menyebabkan kebakaran, pemanasan lampau, atau kebocoran elektrolit.
13. Jika alat tidak digunakan untuk tempoh masa yang lama, bateri mesti dikeluarkan daripada alat.
14. Semasa dan selepas penggunaan, kartrij bateri mungkin ada haba yang boleh menyebabkan terbakar atau suhu rendah terbakar. Beri perhatian kepada pengendalian kartrij bateri yang panas.

15. Jangan sentuh terminal alat itu selepas digunakan kerana ia mungkin panas menyebabkan terbakar.
16. Jangan biarkan cip, habuk, atau tanah terperangkap ke dalam terminal, lubang, dan alur kartrij bateri. Ia mungkin menyebabkan prestasi atau pecahan yang buruk dari alat atau kartrij bateri.
17. Melainkan alat ini menyokong penggunaan yang hampir dari talian kuasa elektrik voltan tinggi, jangan gunakan kartrij bateri berhampiran talian kuasa elektrik voltan tinggi. Ia mungkin menyebabkan kerosakan atau pecah pada alat atau kartrij bateri.
18. Jauhkan bateri daripada kanak-kanak.

SIMPAN ARAHAN INI.

⚠️PERHATIAN: Hanya gunakan bateri asli Makita. Penggunaan bateri tidak asli Makita, atau bateri yang telah diubah suai, mungkin menyebabkan bateri meletup menyebabkan kebakaran, kecederaan diri dan kerosakan. Ia juga membatalkan jaminan Makita untuk alat Makita dan pengecas.

Tip untuk mengekalkan hayat bateri maksimum

1. Cas kartrij bateri sebelum ternyahcas sepenuhnya. Sentiasa hentikan operasi alat dan cas kartrij bateri apabila anda menyedari kurang kuasa alat.
2. Jangan cas semula kartrij bateri yang dicas sepenuhnya. Terlebih cas memendekkan hayat servis bateri.
3. Cas kartrij bateri dengan suhu bilik pada 10 °C - 40 °C (50 °F - 104 °F). Biarkan kartrij bateri yang panas menyejuk sebelum mengecasnya.
4. Apabila tidak menggunakan kartrij bateri, tanggalkannya dari alat atau pengecas.

KETERANGAN BAHAGIAN

► Rajah1

1	Kepala	2	Butang pelarasan sudut	3	Tuil kunci	4	Nat ibu jari
5	Genggaman depan	6	Genggaman belakang	7	Kartrij bateri	8	Pemicu suis
9	Butang buka kunci	10	Bilah ricih	-	-	-	-

KETERANGAN FUNGSI

⚠️PERHATIAN: Sentiasa pastikan alat dimatikan dan kartrij bateri dikeluarkan sebelum menyelaras atau menyemak fungsi pada alat.

Memasang atau mengeluarkan kartrij bateri

⚠️PERHATIAN: Sentiasa matikan alat sebelum memasang atau mengeluarkan kartrij bateri.

⚠️PERHATIAN: Pegang alat dan kartrij bateri dengan kukuh apabila memasang atau mengeluarkan kartrij bateri. Gagal untuk memegang alat dan kartrij bateri dengan kukuh mungkin menyebabkan mereka terlepas daripada tangan anda dan mengakibatkan kerosakan kepada alat dan kartrij bateri dan kecederaan peribadi.

- **Rajah2:** 1. Penunjuk merah 2. Butang 3. Kartrij bateri

Untuk mengeluarkan kartrij bateri, luruskan ia daripada alat apabila meluncurkan butang di hadapan kartrij.

Untuk memasang kartrij bateri, selaraskan lidah pada kartrij bateri dengan alur pada perumahan dan gelincirkan ia ke tempatnya. Masukkan ia sepenuhnya sehingga ia terkunci di tempatnya dengan klik kecil. Jika anda boleh melihat penunjuk merah seperti yang ditunjukkan dalam rajah, ia tidak dikunci sepenuhnya.

⚠️PERHATIAN: Sentiasa pasang kartrij bateri sepenuhnya sehingga penunjuk merah tidak boleh dilihat. Jika tidak, ia mungkin jatuh tanpa sengaja daripada alat, menyebabkan kecederaan kepada anda atau seseorang di sekeliling anda.

⚠️PERHATIAN: Jangan pasang kartrij bateri secara paksa. Jika kartrij tidak meluncur dengan mudah, ia tidak dimasukkan dengan betul.

Menunjukkan kapasiti bateri yang tinggal

Hanya untuk kartrij bateri dengan penunjuk

► **Rajah3:** 1. Lampu penunjuk 2. Butang semak

Tekan butang semak pada kartrij bateri untuk menunjukkan kapasiti bateri yang tinggal. Lampu penunjuk menyala untuk beberapa saat.

Lampu penunjuk		Kapasiti yang tinggal
Dinyalakan	Mati	
■	□	75% hingga 100%
■ ■ ■ ■		50% hingga 75%
■ ■ ■ □	□	25% hingga 50%
■ ■ □ □	□ □	0% hingga 25%

NOTA: Bergantung kepada keadaan penggunaan dan suhu persekitaran, penunjuk mungkin berbeza sedikit daripada kapasiti sebenar.

Sistem perlindungan alat / bateri

Alat dilengkapi dengan sistem perlindungan alat/bateri. Sistem ini memotong kuasa kepada motor secara automatik untuk memanjangkan hayat alat dan bateri. Alat akan berhenti secara automatik ketika operasi jika alat atau bateri diletakkan di bawah salah satu syarat yang berikut:

Terlebih beban:

Alat dikendalikan dalam keadaan yang menyebabkannya menarik arus tinggi yang tidak normal. Dalam situasi ini, matikan alat dan hentikan penggunaan yang menyebabkan alat menjadi terlebih beban. Kemudian hidupkan alat untuk mula semula. Jika alat tidak bermula, bateri terlampau panas. Dalam situasi ini, biarkan bateri sejuk sebelum hidupkan alat semula.

Voltan bateri rendah:

Kapasiti bateri yang tinggal terlalu rendah dan alat akan tidak beroperasi. Jika anda menghidupkan alat, motor berjalan semula tetapi kemudiannya berhenti. Dalam situasi ini, keluarkan dan cas semula bateri.

Tindakan suis

AMARAN: Sebelum memasang kartrij bateri ke dalam alat, sentiasa periksa untuk melihat pemicu suis bergerak dengan betul dan kembali ke posisi "OFF" apabila dilepaskan.

AMARAN: Untuk keselamatan anda, alat ini dilengkapi dengan butang buka kunci yang mengelakkan alat bermula dengan tidak disengajakan. Jangan sekali-kali gunakan alat jika ia bermula apabila anda menarik pemicu suis tanpa menekan butang buka kunci. Tanya Pusat Servis Makita tempatan anda untuk pembaikan.

AMARAN: Jangan menahdayakan fungsi kunci atau melekatkan pita pada butang buka kunci.

NOTIS: Jangan tarik pemicu suis secara paksa tanpa menekan butang buka kunci. Suis boleh rosak.

► **Rajah4:** 1. Butang buka kunci 2. Pemicu suis

Untuk mengelakkan pemicu suis daripada ditarik secara tidak sengaja, butang buka kunci disediakan. Untuk memulakan alat, tekan butang buka kunci dan tarik pemicu suis. Lepaskan pemicu suis untuk berhenti. Butang buka kunci boleh ditekan sama ada daripada sisi kiri atau kanan.

Melaraskan sudut pemotongan

PERHATIAN: Sentiasa pastikan alat dimatikan sebelum melipat atau membuka lipatan kepala.

PERHATIAN: Apabila melipat kepala untuk membawa alat atau selepas menggunakan alat, pastikan untuk memasang penutup bilah sebelum melipat kepala.

PERHATIAN: Apabila melipat kepala, berhati-hati agar jari anda tidak tersepit di antara kepala dengan badan alat.

Sudut kepala boleh dilaraskan dalam 10 langkah. Untuk menukar sudut kepala, ikut langkah di bawah.

1. Pegang kepala dan badan alat seperti yang ditunjukkan dalam rajah.

► **Rajah5:** 1. Kepala 2. Butang pelarasan sudut

2. Laraskan sudut kepala sambil menahan butang pelarasan sudut dan kemudian lepaskan butang pelarasan sudut.

3. Gerakkan sedikit kepala sehingga kepala terkunci dengan bunyi klik.

NOTA: Pastikan kepala dikunci dengan kukuh sebelum mengendalikan alat.

Melaraskan panjang paip

⚠️ PERHATIAN: Sentiasa pastikan alat dimatikan sebelum melaraskan panjang paip.

⚠️ PERHATIAN: Apabila melaraskan panjang paip, pastikan untuk memasang penutup bilah sebelum melaraskan panjang paip.

⚠️ PERHATIAN: Apabila melaraskan panjang paip, berhati-hati agar jari anda tidak tersepit.

⚠️ PERHATIAN: Pastikan tuil kunci dikunci dengan kukuh.

⚠️ PERHATIAN: Semasa melaraskan panjang paip, letakkan alat di bahagian sisinya. Jika anda menegakkan alat, kepala alat akan terjatuh secara tiba-tiba dan boleh menyebabkan kecederaan.

Longgarkan tuil kunci, kemudian laraskan panjang paip dan kemudian kunci tuil kunci.

► **Rajah6:** 1. Tuil kunci

Melaraskan kedudukan genggam depan

⚠️ PERHATIAN: Sentiasa pastikan alat dimatikan sebelum melaraskan kedudukan genggam depan.

⚠️ PERHATIAN: Apabila melaraskan kedudukan genggam depan, berhati-hati agar jari anda tidak tersepit.

⚠️ PERHATIAN: Pastikan nat ibu jari diketatkan dengan kukuh.

⚠️ PERHATIAN: Jangan gerakkan genggam depan melebihi tanda anak panah.

Untuk melaraskan kedudukan genggam depan, longgarkan nat ibu jari dengan memutar mengikut arah lawan jam, kemudian laraskan kedudukan genggam depan dan kemudian ketatkan nat ibu jari dengan memutar mengikut arah jam.

► **Rajah7:** 1. Nat ibu jari 2. Tanda anak panah

PEMASANGAN

⚠️ PERHATIAN: Sentiasa pastikan alat dimatikan dan kartrij bateri dikeluarkan sebelum menjalankan sebarang kerja pada alat.

⚠️ PERHATIAN: Apabila menggantikan bilah ricih, sentiasa pakai sarung tangan supaya tangan anda tidak tersentuh secara langsung dengan bilah.

Memasang atau mengeluarkan bilah ricih

⚠️ PERHATIAN: Pasangkan penutup bilah sebelum mengeluarkan atau memasang bilah ricih.

NOTIS: Apabila menggantikan bilah ricih, jangan lap gris daripada gear dan engkol.

NOTA: Sebelum memasang atau mengeluarkan bilah ricih, buka lipatan kepala alat supaya kepala lurus ke badan alat.

1. Letakkan alat terbalik.
2. Keluarkan 4 batang skru dengan pemutar skru dan keluarkan bilah ricih.
► **Rajah8:** 1. Skru
3. Keluarkan engkol daripada bilah ricih.
► **Rajah9:** 1. Engkol

NOTA: Engkol mungkin tertinggal di dalam alat.

4. Sediakan engkol dan bilah ricih baharu.
► **Rajah10:** 1. Engkol 2. Bilah ricih
5. Keluarkan penutup bilah dan kemudian pasang penutup bilah pada bilah ricih baharu.
6. Sapukan sedikit gris pada pinggir engkol. Pasangkan sesendal, gear dan engkol pada pin mengikut susunan.
► **Rajah11:** 1. Engkol 2. Gear 3. Sesendal 4. Pin
7. Laraskan engkol supaya 2 lubang kecil pada engkol sebaris pada garis penjajaran seperti yang ditunjukkan dalam rajah.
► **Rajah12:** 1. Garis penjajaran 2. Lubang kecil
8. Lungsurkan bilah ricih agar lubang pada plat panduan diletakkan di tengah cincin bilah.
► **Rajah13:** 1. Plat panduan
9. Masukkan skru yang dikeluarkan pada langkah 2 ke dalam lubang pada bilah ricih melalui lubang pada penutup bilah.
► **Rajah14:** 1. Lubang
10. Pasangkan bilah ricih pada alat dan kemudian ketatkan 3 batang skru dengan pemutar skru.
► **Rajah15:** 1. Skru
11. Keluarkan skru yang dimasukkan ke dalam lubang pada bilah ricih pada langkah 9 dan kemudian ketatkan skru untuk menetapkan bilah ricih.

NOTIS: Jika bilah ricih tidak beroperasi dengan betul, bilah ricih tidak bersambung dengan engkol dengan betul. Tanggalkan bilah dan pasangkannya semula.

NOTIS: Jika bahagian lain selain bilah ricih seperti engkol telah haus, minta Pusat Servis Makita yang Diiktiraf untuk penggantian bahagian atau pembaikan.

Memasang atau mengeluarkan penadah serpihan

Aksesori pilihan

⚠️PERHATIAN: Apabila memasang atau mengeluarkan penadah serpihan, sentiasa pakai sarung tangan supaya tangan tidak tersentuh secara langsung dengan bilah ricih.

⚠️PERHATIAN: Pasangkan penutup bilah sebelum memasang atau mengeluarkan penadah serpihan.

Penadah serpihan mengumpulkan daun yang dipotong dan menjadikan pembersihan selepas pemotongan lebih mudah. Ia boleh dipasang pada mana-mana sisi alat.

1. Jajarkan lubang pada penadah serpihan dengan nat pada bilah ricih.
▶ **Rajah16:** 1. Nat

2. Cangkuk pencakar penadah serpihan pada alur bilah ricih.

▶ **Rajah17:** 1. Pencakar 2. Alur

3. Tekan tuil pada penadah serpihan dan kemudian cangkuk pencakar di sisi lain pada alur bilah ricih.

▶ **Rajah18:** 1. Tuil

Untuk mengeluarkan penadah serpihan, tekan tuil untuk melepaskan pencakar.

▶ **Rajah19:** 1. Tuil

NOTIS: Jangan sekali-kali mengeluarkan penadah serpihan dengan daya berlebihan dengan pencakar terkunci pada alur bilah ricih.

OPERASI

Mengendalikan alat

⚠️AMARAN: Jangan gunakan alat berdekatan dengan mana-mana talian kuasa elektrik. Bersentuhan dengan talian kuasa atau menggunakan alat berdekatan dengan talian kuasa boleh menyebabkan kecederaan serius atau kejutan elektrik yang mengakibatkan kematian.

⚠️AMARAN: Jauhkan tangan daripada bilah ricih.

⚠️AMARAN: Berhati-hati untuk mengekalkan kawalan alat pada setiap masa. Jangan biarkan alat itu terpesong ke arah anda atau sesiapa sahaja dalam persekitaran kerja. Kegagalan untuk mengawal alat ini boleh mengakibatkan kecederaan serius kepada individu di sekeliling dan pengendali.

⚠️PERHATIAN: Elakkan mengendalikan alat semasa cuaca panas selagi boleh dipraktikkan. Apabila mengendalikan alat, berhati-hati dengan keadaan fizikal anda.

⚠️PERHATIAN: Berhati-hati supaya tidak menyentuh pagar besi atau objek keras yang lain tanpa sengaja semasa memangkas. Bilah ricih boleh patah dan menyebabkan kecederaan.

⚠️PERHATIAN: Berhati-hati supaya tidak membenarkan bilah ricih terkena tanah. Alat mungkin menyentak dan menyebabkan kecederaan.

⚠️PERHATIAN: Mencapai secara berlebihan dengan pemangkas tanaman pagar, terutamanya dari tangga adalah sangat berbahaya. Jangan bekerja sambil berdiri di atas apa-apa yang bergoyang atau tidak kukuh.

NOTIS: Jangan cuba memotong dahan yang lebih tebal daripada 10 mm diameter dengan alat. Potong dahan kepada 10 cm lebih rendah daripada ketinggian pemotongan menggunakan pemotong dahan sebelum menggunakan alat.

▶ **Rajah20:** (1) Ketinggian pemotongan (2) 10 cm

NOTIS: Jangan tebang pokok yang mati atau objek keras yang serupa. Melakukan hal tersebut boleh merosakkan alat.

NOTIS: Jangan pangkas rumput atau rumpai semasa menggunakan bilah ricih. Bilah ricih mungkin tersangkut pada rumput atau rumpai.

Pegang alat dengan kedua-dua tangan dengan memegang genggamannya depan dan genggamannya belakang.

▶ **Rajah21:** 1. Genggamannya depan 2. Genggamannya belakang

Tarik pemacu suis sambil menekan butang buka kunci dan kemudian gerakkan alat ke hadapan.

▶ **Rajah22**

Untuk operasi asas, condongkan bilah ricih ke arah pemangkas dan gerakkan ia dengan tenang dan perlahan pada kadar kelajuan 3 hingga 4 saat semeter.

▶ **Rajah23**

Untuk memotong sisi tanaman pagar dengan sama rata, potong dari bawah ke atas.

▶ **Rajah24**

Apabila memangkas untuk membuat bentuk bulat (memangkas kayu pak atau rhododendron dsb.), pangkas dari akar ke atas untuk hasil yang cantik.

▶ **Rajah25**

Jika penadah serpihan dipasang pada bilah ricih, ia mengumpulkan daun yang dipotong dan menjadikan pembersihan selepas pemotongan lebih mudah.

▶ **Rajah26**

PENYELENGGARAAN

⚠️ PERHATIAN: Sentiasa pastikan alat dimatikan dan kartrij bateri dikeluarkan sebelum cuba menjalankan pemeriksaan atau penyelenggaraan.

⚠️ PERHATIAN: Semasa memeriksa atau menyelenggara alat, sentiasa letakkan alat di bawah. Pemasangan atau pelarasan alat dalam kedudukan menegak boleh mengakibatkan kecederaan serius.

Untuk mengekalkan KESELAMATAN dan KEBOLEHPERCAYAAN produk, pembaikan, apa-apa penyelenggaraan atau penyesuaian lain perlu dilakukan oleh Kilang atau Pusat Servis Makita yang Diiktiraf, sentiasa gunakan alat ganti Makita.

Membersihkan alat

Bersihkan alat dengan menyapu habuk dengan kain kering atau kain yang dicelup dalam air sabun dan diperah.

NOTIS: Jangan gunakan petrol, benzin, pencair, alkohol atau bahan yang serupa. Ia boleh menyebabkan perubahan warna, bentuk atau keretakan.

Penyelenggaraan bilah ricih

Sebelum operasi atau sejam sekali semasa operasi, sapukan minyak berkelikatan rendah (minyak mesin, atau minyak pelincir jenis semburan) pada bilah ricih.

► Rajah27

Selepas operasi, keluarkan habuk daripada kedua-dua belah bilah ricih dengan brus berwayar, lapkannya dengan kain dan kemudian sapukan minyak berkelikatan rendah (minyak mesin, atau minyak pelincir jenis semburan) pada bilah ricih.

► Rajah28

NOTIS: Jangan basuh bilah ricih dengan air. Melakukan hal tersebut boleh menyebabkan karat atau merosakkan alat.

NOTIS: Kotoran dan karatan menyebabkan geseran berlebihan bilah dan memendekkan masa pengendalian bagi setiap pengecasan bateri.

Penyimpanan

Pasangkan penutup bilah pada bilah ricih supaya bilah tidak terdedah. Simpan alat jauh daripada kanak-kanak. Simpan alat di tempat yang tidak terdedah kepada kelembapan atau hujan.

PENYELESAIAN MASALAH

Sebelum meminta pembaikan, jalankan pemeriksaan sendiri terlebih dahulu. Jika anda mendapati masalah tidak diterangkan dalam manual, jangan cuba untuk menanggalkan alat. Sebaliknya, tanya Pusat Servis Sah Makita, sentiasa gunakan alat ganti Makita untuk pembaikan.

Keadaan keabnormalan	Sebab yang mungkin (pincang tugas)	Remedi
Motor tidak berjalan.	Kartrij bateri tidak dipasang.	Pasang kartrij bateri.
	Masalah bateri (voltan rendah)	Cas semula bateri. Jika mengecap tidak berkesan, gantikan bateri.
	Sistem pacuan tidak berfungsi dengan betul.	Tanya pusat servis sah tempatan anda untuk pembaikan.
Motor berhenti berjalan selepas digunakan seketika, atau motor tidak berjalan.	Tahap bateri terlalu rendah.	Cas semula bateri. Jika mengecap tidak berkesan, gantikan bateri.
	Pemanasan melampau.	Berhenti menggunakan alat untuk membenarkan ia sejuk.
Alat tidak mencapai RPM maksimum.	Bateri tidak dipasang dengan betul.	Pasang kartrij bateri seperti yang diterangkan dalam manual ini.
	Kuasa bateri berkurangan.	Cas semula bateri. Jika mengecap tidak berkesan, gantikan bateri.
	Sistem pacuan tidak berfungsi dengan betul.	Tanya pusat servis sah tempatan anda untuk pembaikan.
Bilah ricih tidak bergerak: ⇒ hentikan mesin serta-merta!	Sudut bilah ricih yang tidak betul.	Pastikan kepala dipasang dengan betul pada sudut operasi.
	Objek asing tersekat di antara bilah ricih.	Matikan alat dan keluarkan kartrij bateri dan kemudian keluarkan objek asing dengan menggunakan alat seperti playar.
	Sistem pacuan tidak berfungsi dengan betul.	Tanya pusat servis sah tempatan anda untuk pembaikan.
Getaran tidak normal: ⇒ hentikan mesin serta-merta!	Bilah ricih patah, bengkok atau haus.	Gantikan bilah ricih.
	Sistem pacuan tidak berfungsi dengan betul.	Tanya pusat servis sah tempatan anda untuk pembaikan.
Bilah ricih dan motor tidak boleh berhenti: ⇒ Keluarkan bateri serta-merta!	Pincang tugas elektrik.	Keluarkan bateri dan tanya pusat servis sah setempat anda untuk pembaikan.

AKSESORI PILIHAN

⚠️ PERHATIAN: Aksesori-aksesori atau lampiran-lampiran ini adalah disyorkan untuk digunakan dengan alat Makita anda yang ditentukan dalam manual ini. Penggunaan mana-mana aksesori-aksesori atau lampiran-lampiran lain mungkin mengakibatkan risiko kecederaan kepada orang. Hanya gunakan aksesori atau lampiran untuk tujuan yang dinyatakan.

Jika anda memerlukan sebarang bantuan untuk maklumat lebih lanjut mengenai aksesori ini, tanya Pusat Perkhidmatan Makita tempatan anda.

- Pemasangan bilah ricih
- Penadah serpihan
- Saluran gris
- Bateri dan pengecas asli Makita

NOTA: Beberapa item dalam senarai mungkin disertakan dalam pakej alat sebagai aksesori standard. Item mungkin berbeza mengikut negara.

THÔNG SỐ KỸ THUẬT

Kiểu máy:	UN460WD
Chiều dài lưỡi cắt	460 mm
Số nhát cắt trên một phút	3.600 min ⁻¹
Góc lưỡi cắt	135° (lên 60°, xuống 75°)
Chiều dài tổng thể	1.889 - 2.511 mm
Điện áp định mức	D.C. 10,8 V - tối đa 12 V
Khối lượng tịnh	2,8 - 3,0 kg

- Do chương trình nghiên cứu và phát triển liên tục của chúng tôi nên các thông số kỹ thuật trong đây có thể thay đổi mà không cần thông báo trước.
- Các thông số kỹ thuật có thể thay đổi tùy theo từng quốc gia.
- Khối lượng có thể khác nhau tùy thuộc vào (các) phụ kiện, bao gồm cả hộp pin. Tổ hợp nhẹ nhất và nặng nhất, theo Quy trình EPTA 01/2014, được trình bày trong bảng.

Hộp pin và sạc pin có thể áp dụng





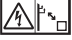
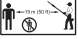
Hộp pin	BL1016 / BL1021B / BL1041B
Bộ sạc	DC10SA / DC10SB / DC10WC / DC10WD / DC18RE

- Một số hộp pin và sạc pin được nêu trong danh sách ở trên có thể không khả dụng tùy thuộc vào khu vực cư trú của bạn.

⚠ CẢNH BÁO: Chỉ sử dụng hộp pin và sạc pin được nêu trong danh sách ở trên. Việc sử dụng bất cứ hộp pin và sạc pin nào khác có thể gây ra thương tích và/hoặc hỏa hoạn.

Ký hiệu

Phần dưới đây cho biết các ký hiệu có thể được dùng cho thiết bị. Đảm bảo rằng bạn hiểu rõ ý nghĩa của các ký hiệu này trước khi sử dụng.

	Đọc tài liệu hướng dẫn.
	Không được tiếp xúc với hơi ẩm.
	Đội mũ bảo hộ, kính an toàn và thiết bị bảo vệ tai.
	NGUY HIỂM - Giữ tay tránh xa lưỡi cắt.
	Hãy cẩn thận với các đường dây điện, nguy cơ điện giật.
	Giữ khoảng cách tối thiểu là 15 m.



Chỉ dành cho các quốc gia EU
Do có các thành phần nguy hiểm bên trong thiết bị điện và điện tử, ắc quy và pin thải bỏ nên có thể có tác động không tốt đến môi trường và sức khỏe con người. Không vứt bỏ các thiết bị điện và điện tử hoặc pin với rác thải sinh hoạt!

Theo Chỉ thị của Châu Âu về thiết bị điện và điện tử thải bỏ và về pin và ắc quy và pin và ắc quy thải bỏ, cũng như sự thích ứng của chúng với luật pháp quốc gia, các thiết bị điện, pin và ắc quy thải phải được cất giữ riêng biệt và chuyển đến một điểm thu gom rác thải đô thị riêng, hoạt động theo các quy định về bảo vệ môi trường. Điều này được biểu thị bằng biểu tượng thùng rác có bánh xe gạch chéo được đặt trên thiết bị.



Mức công suất âm thanh được đảm bảo theo Chỉ thị về tiếng ồn ngoài trời của EU.



Mức công suất âm thanh theo Quy định kiểm soát tiếng ồn NSW của Úc

Mục đích sử dụng

Dụng cụ này được dùng để tıra hàng rào.

CẢNH BÁO AN TOÀN

Cảnh báo an toàn chung dành cho dụng cụ máy

⚠CẢNH BÁO: Xin đọc tất cả các cảnh báo an toàn, hướng dẫn, minh họa và thông số kỹ thuật đi kèm với dụng cụ máy này. Việc không tuân theo các hướng dẫn được liệt kê dưới đây có thể dẫn đến điện giật, hỏa hoạn và/hoặc thương tích nghiêm trọng.

Lưu giữ tất cả cảnh báo và hướng dẫn để tham khảo sau này.

Thuật ngữ “dụng cụ máy” trong các cảnh báo đề cập đến dụng cụ máy (có dây) được vận hành bằng nguồn điện chính hoặc dụng cụ máy (không dây) được vận hành bằng pin của bạn.

An toàn tại nơi làm việc

- Giữ nơi làm việc sạch sẽ và có đủ ánh sáng.** Nơi làm việc bừa bộn hoặc tối thường dễ gây ra tai nạn.
- Không vận hành dụng cụ máy trong môi trường cháy nổ, ví dụ như môi trường có sự hiện diện của các chất lỏng, khí hoặc bụi dễ cháy.** Các dụng cụ máy tạo tia lửa điện có thể làm bụi hoặc khí bốc cháy.
- Giữ trẻ em và người ngoài tránh xa nơi làm việc khi đang vận hành dụng cụ máy.** Sự xao lãng có thể khiến bạn mất khả năng kiểm soát.

An toàn về Điện

- Phích cắm của dụng cụ máy phải khớp với ổ cắm.** Không được sửa đổi phích cắm theo bất kỳ cách nào. Không sử dụng bất kỳ phích chuyển đổi nào với các dụng cụ máy được nối đất (tiếp đất). Các phích cắm còn nguyên vẹn và ổ cắm phù hợp sẽ giảm nguy cơ điện giật.
- Tránh đề cơ thể tiếp xúc với các bề mặt nóng đất hoặc tiếp đất như đường ống, bộ tản nhiệt, bếp ga và tủ lạnh.** Nguy cơ bị điện giật sẽ tăng lên nếu cơ thể bạn được nối đất hoặc tiếp đất.
- Không để dụng cụ máy tiếp xúc với mưa hoặc trong điều kiện ẩm ướt.** Nước lọt vào dụng cụ máy sẽ làm tăng nguy cơ điện giật.
- Không lạm dụng dây điện.** Không được phép sử dụng dây để mang, kéo hoặc tháo phích cắm dụng cụ máy. Giữ dây tránh xa nguồn nhiệt, dầu, các mép sắc hoặc các bộ phận chuyển động. Dây bị hỏng hoặc bị rối sẽ làm tăng nguy cơ điện giật.
- Khi vận hành dụng cụ máy ngoài trời, hãy sử dụng dây kéo dài phù hợp cho việc sử dụng ngoài trời.** Việc dùng dây phù hợp cho việc sử dụng ngoài trời sẽ giảm nguy cơ điện giật.
- Nếu bắt buộc phải vận hành dụng cụ máy ở nơi ẩm ướt, hãy sử dụng nguồn cấp điện được bảo vệ bằng thiết bị ngắt dòng điện rò (RCD).** Việc sử dụng RCD sẽ làm giảm nguy cơ điện giật.

- Các dụng cụ máy có thể tạo ra từ trường điện (EMF) có hại cho người dùng.** Tuy nhiên, người dùng máy trợ tim và những thiết bị y tế tương tự khác nên liên hệ với nhà sản xuất thiết bị và/hoặc bác sĩ để được tư vấn trước khi vận hành dụng cụ này.

An toàn Cá nhân

- Luôn tỉnh táo, quan sát những việc bạn đang làm và sử dụng những phán đoán theo kinh nghiệm khi vận hành dụng cụ máy. Không sử dụng dụng cụ máy khi bạn đang mệt mỏi hoặc chịu ảnh hưởng của ma túy, rượu hay thuốc.** Chỉ một khoảnh khắc không tập trung khi đang vận hành dụng cụ máy cũng có thể dẫn đến thương tích cá nhân nghiêm trọng.
- Sử dụng thiết bị bảo hộ cá nhân. Luôn đeo thiết bị bảo vệ mắt.** Các thiết bị bảo hộ như mặt nạ chống bụi, giày an toàn chống trượt, mũ bảo hộ hay thiết bị bảo vệ thính giác được sử dụng trong các điều kiện thích hợp sẽ giúp giảm thương tích cá nhân.
- Tránh vô tình khởi động dụng cụ máy. Đảm bảo công tắc ở vị trí off (tắt) trước khi nối nguồn điện và/hoặc bộ pin, cầm hoặc di chuyển dụng cụ máy.** Giữ di chuyển dụng cụ máy khi đang đặt ngón tay ở vị trí công tắc hoặc cấp điện cho dụng cụ máy đang bật thường dễ gây ra tai nạn.
- Tháo tất cả các khóa hoặc cờ lê điều chỉnh trước khi bật dụng cụ máy.** Việc cờ lê hoặc khóa vẫn còn gắn vào bộ phận quay của dụng cụ máy có thể dẫn đến thương tích cá nhân.
- Không vớ quá cao. Luôn giữ thăng bằng tốt và có chỗ để chân phù hợp.** Điều này cho phép điều khiển dụng cụ máy tốt hơn trong những tình huống bất ngờ.
- Ăn mặc phù hợp. Không mặc quần áo rộng hay đeo đồ trang sức. Giữ tóc và quần áo tránh xa các bộ phận chuyển động.** Quần áo rộng, đồ trang sức hay tóc dài có thể mắc vào các bộ phận chuyển động.
- Nếu các thiết bị bị được cung cấp để kết nối các thiết bị thu gom và hút bụi, hãy đảm bảo chúng được kết nối và sử dụng hợp lý.** Việc sử dụng thiết bị thu gom bụi có thể làm giảm những mối nguy hiểm liên quan đến bụi.
- Không vì quen thuộc do thường xuyên sử dụng các dụng cụ mà cho phép bạn trở nên tự mãn và bỏ qua các nguyên tắc an toàn dụng cụ.** Một hành động bất cẩn có thể gây ra thương tích nghiêm trọng trong một phần của một giây.
- Luôn luôn mang kính bảo hộ để bảo vệ mắt khỏi bị thương khi đang sử dụng các dụng cụ máy. Kính bảo hộ phải tuân thủ ANSI Z87.1 ở Mỹ, EN 166 ở Châu Âu, hoặc AS/NZS 1336 ở Úc/New Zealand.** Tại Úc/New Zealand, theo luật pháp, bạn cũng phải mang mặt nạ che mặt để bảo vệ mặt.



Trách nhiệm của chủ lao động là bắt buộc người vận hành dụng cụ và những người khác trong khu vực làm việc cảnh đó phải sử dụng các thiết bị bảo hộ an toàn thích hợp.

Sử dụng và bảo quản dụng cụ máy

1. **Không dùng lực đối với dụng cụ máy. Sử dụng đúng dụng cụ máy cho công việc của bạn.** Sử dụng đúng dụng cụ máy sẽ giúp thực hiện công việc tốt hơn và an toàn hơn theo giá trị định mức được thiết kế của dụng cụ máy đó.
2. **Không sử dụng dụng cụ máy nếu công tắc không bật và tắt được dụng cụ máy đó.** Mọi dụng cụ máy không thể điều khiển được bằng công tắc đều rất nguy hiểm và phải được sửa chữa.
3. **Rút phích cắm ra khỏi nguồn điện và/hoặc tháo kết nối bộ pin khỏi dụng cụ máy, nếu có thể tháo rời trước khi thực hiện bất kỳ công việc điều chỉnh, thay đổi phụ tùng hay cất giữ dụng cụ máy nào.** Những biện pháp an toàn phòng ngừa này sẽ giảm nguy cơ vô tình khởi động dụng cụ máy.
4. **Cất giữ các dụng cụ máy không sử dụng ngoài tầm với của trẻ em và không cho bất kỳ người nào không có hiểu biết về dụng cụ máy hoặc các hướng dẫn này vận hành dụng cụ máy.** Dụng cụ máy sẽ rất nguy hiểm nếu được sử dụng bởi những người dùng chưa qua đào tạo.
5. **Bảo dưỡng dụng cụ máy và các phụ kiện.** Kiểm tra tình trạng lệch trục hoặc bó kẹt của các bộ phận chuyên động, hiện tượng nứt vỡ của các bộ phận và mọi tình trạng khác mà có thể ảnh hưởng đến hoạt động của dụng cụ máy. Nếu có hỏng hóc, hãy sửa chữa dụng cụ máy trước khi sử dụng. Nhiều tai nạn xảy ra là do không bảo quản tốt dụng cụ máy.
6. **Luôn giữ cho dụng cụ cất được sắc bén và sạch sẽ.** Những dụng cụ cất được bảo quản tốt có mép cắt sắc sẽ ít bị kẹt hơn và dễ điều khiển hơn.
7. **Sử dụng dụng cụ máy, phụ tùng và đầu dụng cụ cắt, v.v... theo các hướng dẫn này, có tính đến điều kiện làm việc và công việc được thực hiện.** Việc sử dụng dụng cụ máy cho các công việc khác với công việc dự định có thể gây nguy hiểm.
8. **Giữ tay cầm và bề mặt tay cầm khô, sạch, không dính dầu và mỡ.** Tay cầm trơn trượt và bề mặt tay cầm không cho phép xử lý an toàn và kiểm soát dụng cụ trong các tình huống bất ngờ.

9. **Khí sử dụng dụng cụ, không được đi gang tay lao động bằng vải, có thể bị vướng.** Việc gang tay lao động bằng vải vướng vào các bộ phận chuyên động có thể gây ra thương tích cá nhân.

Sử dụng và bảo quản dụng cụ dùng pin

1. **Chỉ sạc pin lại với bộ sạc do nhà sản xuất quy định.** Bộ sạc phù hợp với một loại bộ pin này có thể gây ra nguy cơ hỏa hoạn khi được dùng cho một bộ pin khác.
2. **Chỉ sử dụng các dụng cụ máy với các bộ pin được quy định cụ thể.** Việc sử dụng bất cứ bộ pin nào khác có thể gây ra thương tích và hỏa hoạn.
3. **Khí không sử dụng bộ pin, hãy giữ tránh xa các đồ vật khác bằng kim loại, chẳng hạn như kẹp giấy, tiền xu, chìa khóa, đinh, ốc vít hoặc các vật nhỏ bằng kim loại mà có thể làm nối tắt các đầu cực pin.** Các đầu cực pin bị đoản mạch có thể gây cháy hoặc hỏa hoạn.
4. **Trong điều kiện sử dụng quá mức, pin có thể bị cháy nước; hãy tránh tiếp xúc.** Nếu vô tình tiếp xúc với pin bị cháy nước, hãy rửa sạch bằng nước. Nếu dung dịch từ pin tiếp xúc với mắt, cần đi khám bác sĩ thêm. Dung dịch chảy ra từ pin có thể gây rất da hoặc bỏng.
5. **Không sử dụng bộ pin hoặc dụng cụ bị hư hỏng hoặc đã bị sửa đổi.** Pin đã bị hư hỏng hoặc đã bị sửa đổi có thể hành động theo cách không thể đoán trước dẫn đến cháy, nổ hoặc nguy cơ chấn thương.
6. **Không để bộ pin hoặc dụng cụ tiếp xúc với lửa hoặc nhiệt độ quá cao.** Tiếp xúc với lửa hoặc nhiệt độ trên 130 °C có thể gây ra cháy nổ.
7. **Làm theo tất cả các hướng dẫn sạc pin và không dùng sạc bộ pin hoặc dụng cụ vượt giới hạn nhiệt độ quy định trong hướng dẫn.** Sạc pin không đúng hoặc ở nhiệt độ vượt giới hạn nhiệt độ có thể gây hư hỏng cho pin và làm tăng nguy cơ cháy.

Bảo dưỡng

1. **Đề nghị viên sửa chữa đủ trình độ bảo dưỡng dụng cụ máy của bạn và chỉ sử dụng các bộ phụ thay thế đồng nhất.** Việc này sẽ đảm bảo độ an toàn của dụng cụ máy.
2. **Không bao giờ sử dụng bộ pin đã hỏng.** Dịch vụ bảo hành bộ pin chỉ nên thực hiện bởi nhà sản xuất hoặc các nhà cung cấp dịch vụ được ủy quyền.
3. **Tuân theo hướng dẫn dành cho việc bôi trơn và thay phụ tùng.**

Cảnh Báo An Toàn Đối Với Máy Cắt Tia Hàng Rào Cầm Tay Hoạt Động Bằng Pin

1. **Giữ tất cả các bộ phận cơ thể tránh xa lưỡi cắt. Không gỡ vật liệu bị cắt hoặc giữ vật liệu được cắt khi các lưỡi cắt đang chuyển động.** Lưỡi cắt sẽ tiếp tục chuyển động sau khi tắt công tắc. Chỉ một khoảnh khắc không tập trung khi đang vận hành máy tia hàng rào cũng có thể dẫn đến thương tích cá nhân nghiêm trọng.

2. **Cầm máy tia hàng rào bằng tay cầm khi lưỡi cắt đã dừng và chú ý không vận hành bất kỳ công tác nguồn nào.** Cầm máy tia hàng rào đúng cách sẽ làm giảm nguy cơ vô ý khởi động và thương tích cá nhân phát sinh từ lưỡi cắt.
3. **Khi vận chuyển hay cất giữ máy tia hàng rào cầm tay hoạt động bằng động cơ điện, luôn lắp nắp dây lưỡi cắt.** Xử lý máy tia hàng rào cầm tay hoạt động bằng động cơ điện đúng cách sẽ làm giảm nguy cơ thương tích cá nhân từ lưỡi cắt.
4. **Khi loại bỏ vật liệu bị kẹt hoặc bảo dưỡng thiết bị, đảm bảo tất cả công tắc nguồn đều tắt và được tháo ra hoặc ngắt kết nối bộ pin.** Vô tình vận hành máy tia hàng rào cầm tay hoạt động bằng động cơ điện trong khi đang loại bỏ vật liệu bị kẹt hoặc bảo dưỡng có thể dẫn đến thương tích cá nhân nghiêm trọng.
5. **Giữ máy tia hàng rào cầm tay hoạt động bằng động cơ điện chỉ bằng các bề mặt kẹp cách điện, vì lưỡi cắt có thể tiếp xúc với dây dẫn kín.** Lưỡi cắt tiếp xúc với dây dẫn "có điện" có thể khiến các bộ phận kim loại bị hở của máy tia hàng rào cầm tay hoạt động bằng động cơ điện "có điện" và khiến người vận hành bị điện giật.
6. **Giữ tắt cả dây nguồn và cáp cách xa khỏi khu vực cắt.** Dây nguồn hoặc cáp có thể bị khuất trong hàng rào hoặc bụi cây và vô tình bị lưỡi dao cắt trúng.
7. **Không sử dụng máy tia hàng rào trong điều kiện thời tiết xấu, đặc biệt là khi có nguy cơ sấm sét.** Việc này sẽ làm giảm được nguy cơ bị sét đánh.
8. **Để giảm nguy cơ bị điện giật, tuyệt đối không sử dụng máy tia hàng rào hoạt động bằng động cơ điện gần bất kỳ đường dây điện nào.** Tiếp xúc hoặc sử dụng dụng cụ ở gần đường dây điện có thể sẽ gây ra thương tích nghiêm trọng hoặc bị điện giật dẫn đến tử vong.
9. **Luôn sử dụng hai tay khi vận hành máy tia hàng rào hoạt động bằng động cơ điện.** Giữ máy tia hàng rào hoạt động bằng động cơ điện bằng cả hai tay để tránh mất kiểm soát.
10. **Luôn sử dụng thiết bị bảo vệ đầu khi vận hành máy tia hàng rào hoạt động bằng động cơ điện cao qua đầu.** Các mảnh vỡ rơi xuống có thể sẽ dẫn đến thương tích cá nhân nghiêm trọng.
4. **Trong trường hợp khẩn cấp, hãy tắt dụng cụ và tháo hộp pin ngay lập tức.**
5. **NGUY HIỂM: Giữ tay tránh xa lưỡi cắt.** Tiếp xúc với lưỡi cắt có thể dẫn tới thương tích cá nhân nghiêm trọng.
6. **Người mới sử dụng lần đầu nên có người biết sử dụng hướng dẫn họ cách sử dụng dụng cụ.**
7. **Trước khi vận hành, kiểm tra hàng rào kim loại, đá, hoặc những vật cứng khác trong khu vực làm việc.** Chúng có thể làm hỏng lưỡi cưa.
8. **Sử dụng máy tia hàng rào chỉ khi bạn đang ở trong điều kiện thể chất tốt.** Nếu bạn đang mệt mỏi, khả năng chú ý của bạn sẽ bị giảm đi. Đặc biệt cần thận khi kết thúc một ngày làm việc. Thực hiện tất cả công việc một cách bình tĩnh và cẩn thận. Người sử dụng phải chịu trách nhiệm về mọi thiệt hại cho bên thứ ba.
9. **Trước khi bắt đầu công việc, kiểm tra xem máy tia có trong tình trạng làm việc tốt và an toàn không.** Đảm bảo các phần bảo vệ được lắp đúng cách. Không được sử dụng máy tia hàng rào trừ khi nó đã được lắp ráp hoàn chỉnh.
10. **Tránh môi trường nguy hiểm.** Không được sử dụng dụng cụ tại những nơi ẩm thấp hoặc ẩm ướt, hoặc để chúng tiếp xúc với mưa. Nước lọt vào dụng cụ sẽ làm tăng nguy cơ điện giật.

Thiết bị bảo hộ cá nhân

1. **Găng tay làm việc bằng da dày là một phần của thiết bị cơ bản của máy tia hàng rào và phải luôn mang theo khi làm việc với máy.** Cũng nên mang giày ủng cứng có đế chống trượt.
2. **Mang thiết bị bảo vệ tai như đồ chụp tai để tránh mất thính lực.**
3. **Đeo kính bảo hộ, đội mũ bảo hộ, và găng tay bảo hộ để bảo vệ bản thân khỏi các mảnh vụn bay ra hoặc các vật rơi xuống.**
4. **Khi chạm vào lưỡi cưa hoặc điều chỉnh góc lưỡi cắt, phải mang găng tay bảo hộ.** Để tay trần có thể bị lưỡi cưa cắt rất nghiêm trọng.

Vận hành

1. **Luôn sử dụng hai tay để vận hành dụng cụ.** Sử dụng một tay có thể gây mất kiểm soát và dẫn đến thương tích cá nhân nghiêm trọng.
2. **Trong khi vận hành dụng cụ, luôn đảm bảo vị trí vận hành an toàn và chắc chắn.** Với quá cao bằng dụng cụ, đặc biệt là từ thang, rất nguy hiểm. Không được làm việc khi bất cứ thứ gì lung lay hoặc không chắc chắn.
3. **Không đồng thời đeo nhiều dây nịt lưng và/hoặc dây nịt vai khi vận hành dụng cụ.**
4. **Trong khi vận hành, giữ dụng cụ tránh xa những người xung quanh và động vật ít nhất 15 m.** Người dụng cụ ngay khi có ai đó lại gần.
5. **Nếu dụng cụ cắt va phải bất kỳ vật thể nào hoặc dụng cụ bắt đầu tạo ra tiếng ồn hoặc rung khác thường, hãy tắt dụng cụ và tháo hộp pin ngay lập tức và để dụng cụ dừng lại.** Sau đó thực hiện các bước sau đây:
 - kiểm tra hư hỏng
 - kiểm tra và vận chặt bất kỳ bộ phận nào bị lỏng
 - thực hiện thay thế hoặc sửa chữa bất kỳ bộ phận nào bị hỏng với phụ tùng thay thế chính hãng.

Các hướng dẫn an toàn bổ sung

Chuẩn bị

1. **MÁY TIA HÀNG RÀO CẦM TAY HOẠT ĐỘNG BẰNG ĐỘNG CƠ ĐIỆN NÀY CÓ THỂ GÂY RA THƯƠNG TÍCH NGHIÊM TRỌNG.** Đọc hướng dẫn cẩn thận để xử lý, chuẩn bị, bảo dưỡng, khởi động và dừng dụng cụ đúng cách. Làm quen với tất cả việc điều khiển và sử dụng dụng cụ đúng cách.
2. **Kiểm tra các vật lạ trên hàng rào và chổi, chẳng hạn như các hàng rào kim loại hoặc dây dẫn kín trước khi vận hành dụng cụ.**
3. **Trẻ em hoặc thanh thiếu niên dưới 18 tuổi không được sử dụng máy tia hàng rào này.** Thanh thiếu niên trên 16 tuổi có thể được miễn hạn chế này nếu được đào tạo dưới sự giám sát của chuyên gia.

6. Chỉ sử dụng dụng cụ vào mục đích thiết kế của dụng cụ. Không sử dụng dụng cụ vào bất kỳ mục đích nào khác.
 7. Tắt dụng cụ và tháo hộp pin ra trước khi:
 - vệ sinh hoặc khi làm thông chỗ tắc nghẽn,
 - kiểm tra, thực hiện bảo dưỡng hoặc làm việc trên dụng cụ,
 - điều chỉnh vị trí làm việc của các lưỡi cắt, rời khỏi dụng cụ mà không giám sát.
 8. Đảm bảo rằng dụng cụ được đặt chính xác ở vị trí làm việc được chỉ định trước khi khởi động dụng cụ.
 9. Không vận hành dụng cụ với các lưỡi cắt bị hỏng hoặc bị mòn quá mức.
 10. Luôn chú ý đến môi trường xung quanh và cẩn trọng với những nguy hiểm có thể xảy ra mà bạn có thể không nhận thức được do tiếng ồn của dụng cụ.
 11. Cẩn thận để không vô tình tiếp xúc với hàng rào kim loại hoặc các vật cứng khác trong quá trình vận hành. Lưỡi cắt sẽ bị vỡ và có thể gây ra thương tích nghiêm trọng.
 12. Tránh vô tình khởi động dụng cụ máy. Không mang dụng cụ đi khi lắp hộp pin và để ngón tay trên công tắc. Đảm bảo rằng công tắc đã tắt khi lắp hộp pin.
 13. Không cầm nắm lưỡi cắt lộ ra hoặc cạnh cắt khi nhắc lên hoặc cầm dụng cụ.
 14. Không dùng lực đối với dụng cụ. Điều này sẽ giúp thực hiện công việc tốt hơn và với ít khả năng xảy ra nguy cơ chấn thương hơn theo giá trị định mức được thiết kế của dụng cụ đó.
 15. Không sử dụng dụng cụ dưới trời mưa hoặc trong điều kiện ướt hoặc rất ẩm thấp. Mô tơ điện không chống nước.
 16. Cầm chắc dụng cụ khi sử dụng.
 17. Không vận hành dụng cụ không tải một cách không cần thiết.
 18. Trước khi kiểm tra lưỡi dao, hãy xem xét các lỗi hoặc loại bỏ ngoại vật bị kẹt trong lưỡi dao, luôn tắt dụng cụ và tháo hộp pin.
 19. Không bao giờ hướng lưỡi cắt vào người chính bạn hoặc người khác.
 20. Nếu các lưỡi dao ngừng di chuyển do các vật lạ ở tắc nghẽn giữa các lưỡi dao trong quá trình vận hành, hãy tắt dụng cụ và tháo hộp pin, rời tháo các vật lạ bằng các dụng cụ như kim. Dùng tay gỡ các vật lạ có thể gây ra thương tích, vì lý do mà các lưỡi dao có thể di chuyển khi gỡ các vật lạ.
- An toàn về điện và pin**
1. Tránh môi trường nguy hiểm. Không được sử dụng dụng cụ tại những nơi bừa bộn hoặc ẩm ướt hay để chúng tiếp xúc với mưa. Nước lọt vào dụng cụ sẽ làm tăng nguy cơ điện giật.
 2. Không thái bỏ (các) viên pin vào lửa. Viên pin có thể phát nổ. Kiểm tra bằng mã địa phương để biết hướng dẫn thái bỏ đặc biệt nếu có.
 3. Không mờ hay cắt xén (các) viên pin. Chất điện phân thái ra có tính ăn mòn và có thể gây tổn thương cho mắt hoặc da. Có thể độc hại nếu nuốt phải.
4. Không sạc pin trong mưa, hoặc nơi ẩm ướt.
 5. Không sạc pin ở ngoài trời.
 6. Không thao tác bộ sạc, bao gồm phích cắm của bộ sạc, và điện cực của bộ sạc bằng tay ướt.
- Bảo dưỡng và cất giữ**
1. Khi dừng dụng cụ để bảo dưỡng, kiểm tra hoặc cất giữ, hãy tắt dụng cụ rời khỏi hộp pin và đảm bảo tất cả các bộ phận chuyển động đã dừng lại. Để dụng cụ nguội trước khi thực hiện bất kỳ kiểm tra, điều chỉnh nào, v.v...
 2. Luôn để dụng cụ nguội đi trước khi cất giữ.
 3. Khi không sử dụng, gắn nắp đẩy lưỡi cắt vào dụng cụ và cất giữ dụng cụ trong nhà ở nơi khô ráo và cao được khóa lại, ngoài tầm với của trẻ em.
 4. Bảo dưỡng dụng cụ cẩn thận. Giữ mép cắt sắc và sạch sẽ để có hiệu suất tốt nhất và để giảm nguy cơ thương tích. Tuân theo các hướng dẫn dành cho việc bôi trơn và thay phụ tùng. Giữ các tay cầm khô, sạch sẽ, không dính dầu và mỡ.
 5. Kiểm tra các bộ phận bị hư hỏng. Trước khi sử dụng tiếp dụng cụ, cần phải kiểm tra kỹ lưỡng bất kỳ bộ phận nào bị hỏng để xác định rằng dụng cụ sẽ vận hành bình thường và thực hiện đúng chức năng như được thiết kế. Kiểm tra cẩn chỉnh các bộ phận chuyển động, bó kẹp của các bộ phận chuyển động, chỗ nứt vỡ các bộ phận, chỗ gấn và bất kỳ điều kiện nào khác có thể ảnh hưởng đến việc vận hành. Phần bảo vệ hoặc bộ phận khác bị hỏng cần phải được sửa chữa hoặc thay thế đúng cách bởi trung tâm dịch vụ được ủy quyền của bạn.
 6. Chỉ sử dụng phụ tùng thay thế chính hãng.
 7. Khi di chuyển dụng cụ đến một vị trí khác, kể cả khi đang vận hành, phải luôn tháo hộp pin và gắn nắp đẩy lưỡi cắt lên các lưỡi dao. Tuyệt đối không mang hoặc vận chuyển dụng cụ có lưỡi cắt đang chạy. Tuyệt đối không nắm các lưỡi dao bằng tay.
 8. Vệ sinh dụng cụ và đặc biệt là các lưỡi dao sau khi sử dụng và trước khi đưa dụng cụ vào kho cất giữ trong khoảng thời gian dài. Tra một ít dầu lên các lưỡi dao và đẩy nắp che lưỡi cắt lại.
 9. Không bỏ pin (các pin) vào lửa. Các viên pin có thể phát nổ. Kiểm tra mã vùng để được hướng dẫn xử lý đặc biệt khi có thể.
 10. Không mờ hoặc làm hư hỏng pin (các pin). Chất điện phân thoát ra sẽ ăn mòn và có thể gây thiệt hại cho da hoặc mắt. Nó có thể độc hại nếu nuốt phải.
 11. Không sạc pin trong mưa, hoặc nơi ẩm ướt.

LƯU GIỮ CÁC HƯỚNG DẪN NÀY.

⚠ CẢNH BÁO: KHÔNG vi đã thoải mái hay quen thuộc với sản phẩm (có được do sử dụng nhiều lần) mà không tuân thủ nghiêm ngặt các quy định về an toàn dành cho sản phẩm này. VIỆC DÙNG SAI hoặc không tuân theo các quy định về an toàn được nêu trong tài liệu hướng dẫn này có thể dẫn đến thương tích cá nhân nghiêm trọng.

Hướng dẫn quan trọng về an toàn dành cho hộp pin

1. Trước khi sử dụng hộp pin, hãy đọc kỹ tất cả các hướng dẫn và dấu hiệu cảnh báo trên (1) bộ sạc pin, (2) pin và (3) sản phẩm sử dụng pin.
2. Không tháo rời hoặc làm thay đổi hộp pin. Việc này có thể dẫn đến hỏa hoạn, quá nhiệt hoặc nổ.
3. Nếu thời gian vận hành ngắn hơn quá mức, hãy ngừng vận hành ngay lập tức. Điều này có thể dẫn đến rủi ro quá nhiệt, có thể gây bỏng và thậm chí là nổ.
4. Nếu chất điện phân rơi vào mắt, hãy rửa sạch bằng nước sạch và đến cơ sở y tế ngay lập tức. Chất này có thể khiến bạn giảm thị lực.
5. Không để hộp pin ở tình trạng đoản mạch:
 - (1) Không chạm vào cực pin bằng vật liệu dẫn điện.
 - (2) Tránh cất giữ hộp pin trong hộp có các vật kim loại khác như đinh, tiền xu, v.v...
 - (3) Không được để hộp pin tiếp xúc với nước hoặc mưa.

Đoản mạch pin có thể gây ra dòng điện lớn, quá nhiệt, có thể gây bỏng và thậm chí là hỏng hóc.

6. Không cất giữ cũng như sử dụng dụng cụ và hộp pin ở nơi nhiệt độ có thể lên tới hoặc vượt quá 50 °C (122 °F).
7. Không đốt hộp pin ngay cả khi hộp pin đã bị hư hại nặng hoặc hư hỏng hoàn toàn. Hộp pin có thể nổ khi tiếp xúc với lửa.
8. Không đóng đinh, cắt, nghiền nát, ném, làm rơi hộp pin hoặc va vật cứng vào hộp pin. Làm như thế có thể dẫn đến hỏa hoạn, quá nhiệt hoặc nổ.
9. Không sử dụng pin đã hỏng.
10. Pin nén lithium-ion là đối tượng có yêu cầu bắt buộc theo Luật Hàng hoá Nguy hiểm. Đối với vận tải thương mại, ví dụ như vận tải do bên thứ ba, đại lý giao nhận, thì yêu cầu đặc biệt về đóng gói và nhãn ghi phải được giám sát. Để chuẩn bị cho mặt hàng cần vận chuyển, cần phải tham khảo ý kiến chuyên gia về vật liệu nguy hiểm. Nếu được, vui lòng tuân thủ các quy định quốc gia chi tiết hơn. Buộc hoặc niêm phong các tiếp điểm mở và đóng gói pin theo cách đó để nó không thể di chuyển trong bao bì.
11. Khi vứt bỏ hộp pin, hãy tháo chúng khỏi dụng cụ và thải bỏ ở nơi an toàn. Phải tuân thủ theo các quy định của địa phương liên quan đến việc thải bỏ pin.

12. Chỉ sử dụng pin cho các sản phẩm Makita chỉ định. Lắp pin vào sản phẩm không thích hợp có thể gây ra hỏa hoạn, quá nhiệt, nổ, hoặc rò chất điện phân.
13. Nếu dụng cụ không được sử dụng trong một thời gian dài, cần phải tháo pin ra khỏi dụng cụ.
14. Trong và sau khi sử dụng, hộp pin có thể bị nóng, có thể gây bỏng hoặc bỏng ở nhiệt độ thấp. Chú ý xử lý hộp pin nóng.
15. Không chạm vào điện cực của dụng cụ ngay sau khi sử dụng vì điện cực đã nóng để gây bỏng.
16. Không để vụn bào, bụi hoặc đất bám vào các điện cực, lỗ và rãnh của hộp pin. Việc này có thể dẫn đến hiệu suất kém hoặc hỏng hóc dụng cụ hay hộp pin.
17. Trừ khi dụng cụ hỗ trợ sử dụng gần đường dây điện cao thế, không sử dụng hộp pin gần đường dây điện cao thế. Việc này có thể dẫn đến trực tiếp hoặc hỏng hóc dụng cụ hay hộp pin.
18. Giữ pin tránh xa trẻ em.

LƯU GIỮ CÁC HƯỚNG DẪN NÀY.

⚠ THẬN TRỌNG: Chỉ sử dụng pin Makita chính hãng. Việc sử dụng pin không chính hãng Makita, hoặc pin đã được sửa đổi, có thể dẫn đến nổ pin gây ra cháy, thương tích và thiệt hại cá nhân. Nó cũng sẽ làm mất hiệu lực bảo hành của Makita dành cho dụng cụ của Makita và bộ sạc.

Mẹo duy trì tuổi thọ tối đa cho pin

1. Sạc pin trước khi pin bị xả điện hoàn toàn. Luôn dùng việc vận hành dụng cụ và sạc pin khi bạn nhận thấy công suất dụng cụ bị giảm.
2. Không được phép sạc lại một hộp pin đã được sạc đầy. Sạc quá mức sẽ làm giảm tuổi thọ của pin.
3. Sạc pin ở nhiệt độ phòng 10°C - 40°C. Để cho hộp pin nóng nguội lại dần trước khi sạc pin.
4. Khi không sử dụng hộp pin, hãy tháo hộp pin ra khỏi dụng cụ hoặc bộ sạc.

MÔ TẢ CÁC BỘ PHẬN

► Hình 1

1	Phần đầu	2	Nút điều chỉnh góc	3	Cần khóa	4	Đai ốc có tai vặn
5	Tay cầm trước	6	Tay cầm sau	7	Hộp pin	8	Cần khởi động công tắc
9	Nút nhả khóa	10	Các lưỡi dao	-	-	-	-

MÔ TẢ CHỨC NĂNG

⚠ THẬN TRỌNG: Luôn đảm bảo rằng đã tắt dụng cụ và tháo hộp pin ra trước khi thực hiện việc điều chỉnh hoặc kiểm tra chức năng trên dụng cụ.

Lắp hoặc tháo hộp pin

⚠ THẬN TRỌNG: Luôn tắt dụng cụ trước khi lắp hoặc tháo hộp pin.

⚠ THẬN TRỌNG: Giữ dụng cụ và hộp pin thật chắc khi lắp hoặc tháo hộp pin. Không giữ dụng cụ và hộp pin thật chắc có thể làm trượt chúng khỏi tay và làm hư hỏng dụng cụ và hộp pin hoặc gây thương tích cá nhân.

► Hình 2: 1. Chỉ báo màu đỏ 2. Nút 3. Hộp pin

Để tháo hộp pin, vừa trượt pin ra khỏi dụng cụ vừa đẩy trượt nút ở phía trước hộp pin.

Để lắp hộp pin, đặt thẳng hàng phần chốt nhô ra của hộp pin vào phần rãnh nằm trên vỏ và trượt hộp pin vào vị trí. Đưa hộp pin vào hết mức cho đến khi chốt khóa vào đúng vị trí với một tiếng cách nhẹ. Nếu bạn có thể nhìn thấy chỉ báo màu đỏ như thể hiện trong hình, điều đó có nghĩa vẫn chưa được khóa hoàn toàn.

⚠ THẬN TRỌNG: Luôn lắp hộp pin khớp hoàn toàn vào vị trí cho đến khi không thể nhìn thấy chỉ báo màu đỏ. Nếu không, hộp pin có thể vô tình rơi ra khỏi dụng cụ, gây thương tích cho bạn hoặc người khác xung quanh.

⚠ THẬN TRỌNG: Không được dùng sức lắp hộp pin. Nếu hộp pin không nhẹ nhàng trượt vào vị trí, có nghĩa là pin vẫn chưa được lắp đúng.

Chỉ báo dung lượng pin còn lại

Chỉ dành cho hộp pin có đèn chỉ báo

► Hình 3: 1. Các đèn chỉ báo 2. Nút Check (kiểm tra)

Ấn nút check (kiểm tra) trên hộp pin để chỉ báo dung lượng pin còn lại. Các đèn chỉ báo bật sáng lên trong vài giây.

Các đèn chỉ báo		Dung lượng còn lại
Bật sáng	Tắt	
		75% đến 100%
		50% đến 75%
		25% đến 50%
		0% đến 25%

LƯU Ý: Tùy thuộc vào các điều kiện sử dụng và nhiệt độ xung quanh, việc chỉ báo có thể khác biệt một chút so với dung lượng thực sự.

Hệ thống bảo vệ dụng cụ / pin

Dụng cụ này được trang bị hệ thống bảo vệ dụng cụ / pin. Hệ thống này sẽ tự động ngắt nguồn điện đến động cơ để kéo dài tuổi thọ dụng cụ và pin. Dụng cụ sẽ tự động dừng vận hành khi dụng cụ hoặc pin ở một trong những trường hợp sau đây:

Quá tải:

Dụng cụ được vận hành theo cách gây ra dòng điện cao bất thường. Trong trường hợp này, hãy tắt dụng cụ và ngừng việc sử dụng đã làm cho dụng cụ trở nên quá tải. Sau đó bật dụng cụ lên để khởi động lại. Nếu dụng cụ không khởi động, pin đang bị quá nhiệt. Trong tình huống này, hãy để pin nguội trước khi bật lại dụng cụ.

Điện thế pin thấp:

Dung lượng pin còn lại quá thấp và dụng cụ sẽ không hoạt động. Nếu bạn bật dụng cụ, động cơ tiếp tục chạy lại nhưng sẽ sớm ngừng. Trong tình huống này, hãy tháo và sạc pin lại.

Hoạt động công tắc

⚠ CẢNH BÁO: Trước khi lắp hộp pin vào dụng cụ, luôn luôn kiểm tra xem cần khởi động công tắc có hoạt động bình thường hay không và trả về vị trí “OFF” (TẮT) khi nhà ra.

⚠ CẢNH BÁO: Để bạn được an toàn, dụng cụ này đều được trang bị nút nhà khóa nhằm ngăn ngừa vô ý khởi động dụng cụ. Không sử dụng dụng cụ này nếu nó khởi động khi bạn chỉ kéo cò khởi động công tắc mà không nhấn nút nhà khóa. Nhờ Trung Tâm Bảo Trì Makita ở địa phương bạn ở sửa chữa.

⚠ CẢNH BÁO: Không bao giờ tắt chức năng khóa hoặc giữ nhấn chặt nút nhà khóa.

CHÚ Ý: Không được kéo cưỡng chế cò khởi động công tắc mà không nhấn nút nhà khóa. Công tắc có thể bị vỡ.

► **Hình4:** 1. Nút nhà khóa 2. Cần khởi động công tắc

Để ngăn ngừa vô tình kéo cần khởi động công tắc, dụng cụ được trang bị một nút nhà khóa.

Để khởi động dụng cụ, nhà nút nhà khóa và kéo cần khởi động công tắc. Nhà cần khởi động công tắc ra để dừng. Có thể ấn nút mở khóa từ bên phải hoặc bên trái.

Điều chỉnh góc cắt

⚠ THẬN TRỌNG: Luôn đảm bảo đã tắt dụng cụ trước khi gấp hoặc mở phần đầu.

⚠ THẬN TRỌNG: Khi gấp phần đầu để mang dụng cụ đi hoặc sau khi sử dụng dụng cụ, đảm bảo đã gắn nắp đậy lưỡi cắt trước khi gấp phần đầu.

⚠ THẬN TRỌNG: Khi gấp phần đầu, hãy cẩn thận không để ngón tay bạn bị kẹp vào giữa phần đầu và thân dụng cụ.

Có thể điều chỉnh góc của phần đầu trong 10 bước. Để thay đổi góc của phần đầu, hãy làm theo các bước bên dưới.

1. Giữ phần đầu và thân dụng cụ như thể hiện trong hình.

► **Hình5:** 1. Phần đầu 2. Nút điều chỉnh góc

2. Điều chỉnh góc của phần đầu trong khi nhấn giữ nút điều chỉnh góc, sau đó nhà nút điều chỉnh góc.

3. Di chuyển phần đầu một chút cho đến khi phần đầu được khóa lại với một tiếng cách.

LƯU Ý: Đảm bảo phần đầu được khóa chắc chắn trước khi vận hành dụng cụ.

Điều chỉnh độ dài ống

⚠ THẬN TRỌNG: Luôn đảm bảo đã tắt dụng cụ trước khi điều chỉnh độ dài ống.

⚠ THẬN TRỌNG: Khi điều chỉnh độ dài ống, hãy đảm bảo đã gắn nắp đậy lưỡi dao trước khi điều chỉnh độ dài ống.

⚠ THẬN TRỌNG: Khi điều chỉnh độ dài ống, hãy cẩn thận không để ngón tay bạn bị kẹp.

⚠ THẬN TRỌNG: Đảm bảo rằng cần khóa được khóa chắc chắn.

⚠ THẬN TRỌNG: Khi điều chỉnh độ dài ống, hãy để dụng cụ nằm nghiêng. Nếu bạn dựng đứng dụng cụ, phần đầu sẽ hạ xuống đột ngột, có thể gây thương tích.

Nới lỏng cần khóa, sau đó điều chỉnh độ dài ống, rồi khóa cần khóa.

► **Hình6:** 1. Cần khóa

Điều chỉnh vị trí tay cầm trước

⚠ THẬN TRỌNG: Luôn đảm bảo đã tắt dụng cụ trước khi điều chỉnh vị trí của tay cầm trước.

⚠ THẬN TRỌNG: Khi điều chỉnh vị trí của tay cầm trước, hãy cẩn thận không để ngón tay bạn bị kẹp.

⚠ THẬN TRỌNG: Đảm bảo rằng đai ốc có tai vặn được siết chặt.

⚠ THẬN TRỌNG: Không di chuyển tay cầm trước vượt quá dấu mũi tên.

Để điều chỉnh vị trí tay cầm trước, hãy nới lỏng đai ốc có tai vặn bằng cách xoay đai ốc ngược chiều kim đồng hồ, sau đó điều chỉnh vị trí của tay cầm trước, rồi siết chặt đai ốc có tai vặn bằng cách xoay đai ốc theo chiều kim đồng hồ.

► **Hình7:** 1. Đai ốc có tai vặn 2. Dấu mũi tên

LẮP RÁP

⚠ THẬN TRỌNG: Luôn đảm bảo rằng đã tắt dụng cụ và tháo hộp pin ra trước khi thực hiện bất cứ thao tác nào trên dụng cụ.

⚠ THẬN TRỌNG: Khi thay thế lưỡi kéo, luôn đeo găng tay để tay không tiếp xúc trực tiếp với lưỡi dao.

Lắp hoặc tháo các lưỡi kéo

⚠ THẬN TRỌNG: Gắn nắp đậy lưỡi dao trước khi tháo gỡ hoặc lắp đặt lưỡi dao.

CHÚ Ý: Khi thay thế các lưỡi dao, không lau sạch đầu mỡ khỏi bánh răng và tay quay.

LƯU Ý: Trước khi lắp hoặc tháo các lưỡi dao, hãy mở phần đầu của dụng cụ sao cho phần đầu thẳng với thân dụng cụ.

1. Đặt dụng cụ úp ngược xuống.
2. Tháo 4 vít bằng tuốc-nơ-vít và tháo các lưỡi dao ra.
▶ **Hình8:** 1. Vít
3. Tháo tay quay ra khỏi lưỡi dao.
▶ **Hình9:** 1. Tay quay

LƯU Ý: Tay quay có thể vẫn còn nằm trong dụng cụ.

4. Chuẩn bị tay quay và lưỡi dao mới.
▶ **Hình10:** 1. Tay quay 2. Các lưỡi dao
5. Tháo nắp đậy lưỡi dao, sau đó gắn nó vào lưỡi dao mới.
6. Bôi một lượng nhỏ mỡ bôi trơn lên phần biên của tay quay. Gắn vòng đệm, bánh răng và tay quay vào chốt theo thứ tự.
▶ **Hình11:** 1. Tay quay 2. Bánh răng 3. Vòng đệm 4. Chốt
7. Điều chỉnh tay quay sao cho 2 lỗ nhỏ trên tay quay xếp thẳng hàng trên trục căn chỉnh như thể hiện trong hình.
▶ **Hình12:** 1. Trục căn chỉnh 2. Lỗ nhỏ
8. Trượt lưỡi cắt sao cho lỗ trên tấm cữ nằm ở vị trí trung tâm của các vòng trên lưỡi dao.
▶ **Hình13:** 1. Tấm cữ
9. Lắp vít đã tháo ở bước 2 vào lỗ trên lưỡi dao qua lỗ trên nắp đậy lưỡi dao.
▶ **Hình14:** 1. Lỗ
10. Gắn các lưỡi dao vào dụng cụ, sau đó vặn chặt 3 vít bằng tuốc-nơ-vít.
▶ **Hình15:** 1. Vít
11. Tháo vít đã lắp vào lỗ trên lưỡi dao ở bước 9, sau đó vặn chặt vít để cố định lưỡi dao.

CHÚ Ý: Nếu lưỡi dao không hoạt động đúng thì là do lưỡi dao đang không được gắn vào tay quay đúng cách. Tháo lưỡi dao ra và lắp lại lần nữa.

CHÚ Ý: Nếu các bộ phận khác ngoài lưỡi dao như tay quay bị mòn, hãy nhờ Trung tâm dịch vụ Makita được ủy quyền để thay thế phụ tùng thay thế hoặc sửa chữa.

Lắp đặt hoặc tháo gỡ bộ nhận vô bào

Phụ kiện tùy chọn

⚠ **THẬN TRỌNG:** Khi lắp hoặc tháo bộ nhận vô bào, luôn đeo găng tay để tay không tiếp xúc trực tiếp với lưỡi kéo.

⚠ **THẬN TRỌNG:** Gắn nắp đậy lưỡi dao trước khi lắp hoặc tháo bộ nhận vô bào.

Bộ nhận vô bào thu gom lá bở và giúp việc làm sạch sau đó trở nên dễ dàng hơn. Móc treo có thể được lắp ở cả hai bên của dụng cụ.

1. Căn chỉnh các lỗ trên bộ nhận vô bào với đai ốc trên lưỡi dao.

▶ **Hình16:** 1. Đai ốc

2. Móc các mẫu của bộ nhận vô bào vào rãnh trên lưỡi dao.

▶ **Hình17:** 1. Mẫu 2. Rãnh

3. Nhấn cần trên bộ nhận vô bào, sau đó móc các mẫu ở phía còn lại vào rãnh trên lưỡi dao.

▶ **Hình18:** 1. Cần

Để tháo bộ nhận vô bào, hãy nhấn cần để nhà các mẫu.

▶ **Hình19:** 1. Cần

CHÚ Ý: Không được cố tháo bộ nhận vô bào bằng cách dùng quá nhiều lực trên các mẫu đã được khóa vào các rãnh của lưỡi dao.

VẬN HÀNH

Vận hành dụng cụ

⚠ **CẢNH BÁO:** Không sử dụng dụng cụ gần bất kỳ đường dây điện nào. Tiếp xúc với đường dây điện hoặc sử dụng dụng cụ gần đường dây điện có thể gây ra thương tích nghiêm trọng hoặc bị điện giật dẫn đến tử vong.

⚠ **CẢNH BÁO:** Giữ tay tránh xa lưỡi kéo.

⚠ **CẢNH BÁO:** Cần phải hết sức cẩn thận để duy trì kiểm soát dụng cụ mọi lúc. Không để dụng cụ bị lệch về phía bạn hay bất cứ ai trong vùng lân cận. Không duy trì kiểm soát dụng cụ có thể dẫn đến thương tích nghiêm trọng cho người đi đường và người vận hành.

⚠ **THẬN TRỌNG:** Tránh vận hành dụng cụ trong thời tiết nóng càng nhiều càng tốt. Khi vận hành dụng cụ, hãy cẩn thận điều kiện thể chất của bạn.

⚠ **THẬN TRỌNG:** Cẩn thận để không vô tình tiếp xúc với hàng rào sắt hoặc các vật cứng khác khi đang cắt tia. Lưỡi kéo có thể bị gãy và gây chấn thương.

⚠ **THẬN TRỌNG:** Hãy cẩn thận không để lưỡi dao tiếp xúc với mặt đất. Dụng cụ có thể bị bật lên và gây chấn thương.

⚠ **THẬN TRỌNG:** Dùng máy tia hàng rào ở tầm cao quá mức, đặc biệt nếu sử dụng thang, là rất nguy hiểm. Không làm việc trong khi đứng trên bất cứ thứ gì lung lay hoặc không chắc chắn.

CHÚ Ý: Không được cố cắt các cành cây lớn hơn đường kính 10 mm bằng dụng cụ này. Cắt các cành lớn thành 10 cm thấp hơn chiều cao cắt bằng cách sử dụng dụng cụ cắt cành trước khi dùng dụng cụ này.

▶ **Hình20:** (1) Chiều cao cắt (2) 10 cm

CHÚ Ý: Không được cắt cây chết khô hoặc các vật cứng tương tự. Điều này có thể làm hư hỏng thiết bị.

CHÚ Ý: Không cắt tia cỏ hoặc cỏ dại trong khi sử dụng lưỡi dao. Lưỡi kéo có thể bị rớt trong cỏ hoặc cỏ dại.

Cầm dụng cụ bằng cả hai tay bằng cách cầm tay cầm trước và tay cầm sau.

► **Hình21:** 1. Tay cầm trước 2. Tay cầm sau

Kéo cần khởi động công tắc trong khi nhấn nút nhả khóa, sau đó di chuyển dụng cụ về phía trước.

► **Hình22**

Ở chế độ vận hành cơ bản, nghiêng lưỡi kéo theo hướng cắt tia và di chuyển cẩn thận, từ từ với tốc độ 3 đến 4 giây mỗi mét.

► **Hình23**

Đề cắt một bên hàng rào được đều, hãy cắt từ dưới lên trên.

► **Hình24**

Khi cắt tia thành một hình tròn (cắt gỗ hoàng dương hay đồ quyển, v.v...), hãy cắt từ gốc lên ngọn để tạo thành phẩm đẹp.

► **Hình25**

Nếu bộ nhận vỏ bào được gắn vào lưỡi kéo, nó sẽ thu gom lá cỏ và giúp việc làm sạch sau đó trở nên dễ dàng hơn.

► **Hình26**

Bảo dưỡng lưỡi kéo

Trước khi vận hành hoặc cứ mỗi giờ một lần trong thời gian vận hành, hãy bôi dầu có độ nhớt thấp (dầu máy, hoặc dầu bôi trơn loại phun) lên lưỡi kéo.

► **Hình27**

Sau khi sử dụng, loại bỏ bụi khỏi hai bên lưỡi kéo bằng chổi kim loại, lau sạch nó bằng một miếng vải rồi bôi dầu có độ nhớt thấp (dầu máy hoặc dầu bôi trơn loại phun) lên lưỡi kéo.

► **Hình28**

CHÚ Ý: Không rửa lưỡi kéo với nước. Điều này có thể làm gỉ sét hoặc hỏng dụng cụ.

CHÚ Ý: Bụi bẩn và ăn mòn gây ra ma sát lưỡi dao quá mức và làm giảm bớt thời gian vận hành máy cho mỗi lần sạc pin.

Cắt giữ

Đặt nắp đậy lưỡi dao lên lưỡi dao sao cho lưỡi dao không bị hở. Cắt giữ dụng cụ ngoài tầm với trẻ em. Cắt giữ dụng cụ ở địa điểm không tiếp xúc với hơi ẩm hoặc mưa.

BẢO TRÌ

⚠ THẬN TRỌNG: Hãy luôn chắc chắn rằng dụng cụ đã được tắt và hộp pin đã được tháo ra trước khi cố gắng thực hiện việc kiểm tra hay bảo dưỡng.

⚠ THẬN TRỌNG: Khi kiểm tra hoặc bảo dưỡng thiết bị, luôn đặt thiết bị nằm xuống. Lắp ráp hoặc điều chỉnh dụng cụ ở vị trí thẳng đứng có thể dẫn đến thương tích nghiêm trọng.

Để đảm bảo ĐỘ AN TOÀN và ĐỘ TIN CẬY của sản phẩm, việc sửa chữa hoặc bất cứ thao tác bảo trì, điều chỉnh nào đều phải được thực hiện bởi các Trung tâm Dịch vụ Nhà máy hoặc Trung tâm được Makita Ủy quyền và luôn sử dụng các phụ tùng thiết bị thay thế của Makita.

Làm sạch dụng cụ

Làm sạch dụng cụ bằng cách lau hết bụi bằng vải khô hoặc vải nhúng vào nước xà phòng và vắt khô.

CHÚ Ý: Không được phép dùng xăng, ết xăng, dung môi, cồn hoặc hóa chất tương tự. Có thể xảy ra hiện tượng mất màu, biến dạng hoặc nứt vỡ.

XỬ LÝ SỰ CỐ

Trước khi yêu cầu sửa chữa, đầu tiên hãy tự tiến hành kiểm tra của riêng bạn. Nếu bạn phát hiện vấn đề nào đó không được giải thích trong sách hướng dẫn sử dụng này, đừng cố tháo dỡ dụng cụ. Thay vào đó, hãy nhờ Trung tâm dịch vụ Makita được ủy quyền, luôn sử dụng bộ phận thay thế của Makita để sửa chữa.

Tình trạng bất thường	Nguyên nhân tiềm tàng (sự cố hồng học)	Biện pháp khắc phục
Động cơ không chạy.	Không lắp hộp pin.	Lắp hộp pin.
	Vấn đề pin (điện áp thấp)	Sạc lại pin. Nếu sạc pin lại không hiệu quả, hãy thay thế pin.
	Hệ thống truyền động không làm việc đúng cách.	Nhờ trung tâm bảo trì được ủy quyền ở địa phương sửa chữa.
Động cơ ngừng chạy sau khi ít sử dụng đến, hoặc động cơ sẽ không chạy.	Mức sạc pin thấp.	Sạc lại pin. Nếu sạc pin lại không hiệu quả, hãy thay thế pin.
	Quá nhiệt.	Ngừng sử dụng dụng cụ để nó nguội dần.
Dụng cụ không đạt RPM tối đa.	Pin được lắp đúng cách.	Lắp hộp pin như mô tả trong sách hướng dẫn này.
	Nguồn pin bị tụt áp.	Sạc lại pin. Nếu sạc pin lại không hiệu quả, hãy thay thế pin.
	Hệ thống truyền động không làm việc đúng cách.	Nhờ trung tâm bảo trì được ủy quyền ở địa phương sửa chữa.
Các lưỡi dao không di chuyển: ⇒ ngừng máy ngay lập tức!	Góc lưỡi dao không phù hợp.	Đảm bảo phần đầu được cố định đúng cách ở góc vận hành.
	Ngoại vật bị kẹt giữa các lưỡi dao.	Tắt dụng cụ và tháo hộp pin, sau đó loại bỏ ngoại vật bằng các dụng cụ như kim.
	Hệ thống truyền động không làm việc đúng cách.	Nhờ trung tâm bảo trì được ủy quyền ở địa phương sửa chữa.
Rung bất thường: ⇒ ngừng máy ngay lập tức!	Lưỡi dao bị gãy, cong hoặc mòn.	Thay thế các lưỡi dao.
	Hệ thống truyền động không làm việc đúng cách.	Nhờ trung tâm bảo trì được ủy quyền ở địa phương sửa chữa.
Lưỡi dao và động cơ không thể dừng lại: ⇒ Tháo hộp pin ngay lập tức!	Trục trục về điện.	Tháo pin và nhờ trung tâm bảo trì được ủy quyền ở địa phương sửa chữa.

PHỤ KIỆN TỰ CHỌN

⚠ THẬN TRỌNG: Các phụ kiện hoặc phụ tùng gắn thêm này được khuyến cáo sử dụng với dụng cụ Makita của bạn theo như quy định trong hướng dẫn này. Việc sử dụng bất cứ phụ kiện hoặc phụ tùng gắn thêm nào khác đều có thể gây ra rủi ro thương tích cho người. Chỉ sử dụng phụ kiện hoặc phụ tùng gắn thêm cho mục đích đã quy định sẵn của chúng.

Nếu bạn cần bất kỳ sự hỗ trợ nào để biết thêm chi tiết về các phụ tùng này, hãy hỏi Trung tâm Dịch vụ của Makita tại địa phương của bạn.

- Bộ lắp ráp lưỡi dao
- Bộ nhận vỏ bảo
- Tuýp mỡ bôi trơn
- Pin và bộ sạc chính hãng của Makita

LƯU Ý: Một số mục trong danh sách có thể được bao gồm trong gói dụng cụ làm phụ kiện tiêu chuẩn. Các mục này ở mỗi quốc gia có thể khác nhau.

ข้อมูลจำเพาะ

รุ่น:	UN460WD
ความยาวของใบเลื่อย	460 mm
ระยะชักต่อนาที	3,600 min ⁻¹
มุมใบมีดตัด	135° (ขึ้น 60°, ลง 75°)
ความยาวโดยรวม	1,889 - 2,511 mm
แรงดันไฟฟ้าที่กำหนด	D.C. 10.8 V - 12 V สูงสุด
น้ำหนักสุทธิ	2.8 - 3.0 kg

- เนื่องจากการค้นคว้าวิจัยและพัฒนาอย่างต่อเนื่อง ข้อมูลจำเพาะในเอกสารฉบับนี้อาจเปลี่ยนแปลงได้โดยไม่ต้องแจ้งให้ทราบล่วงหน้า
- ข้อมูลจำเพาะอาจแตกต่างกันไปในแต่ละประเทศ
- น้ำหนักอาจแตกต่างกันไปตามอุปกรณ์เสริม รวมถึงตลับแบตเตอรี่ การติดอุปกรณ์เสริมที่เบาที่สุดและหนักที่สุดตามข้อบังคับของ EPTA 01/2014 มีแสดงอยู่ในตาราง

ตลับแบตเตอรี่และเครื่องชาร์จที่ใช้ได้





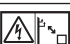
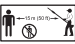



ตลับแบตเตอรี่	BL1016 / BL1021B / BL1041B
เครื่องชาร์จ	DC10SA / DC10SB / DC10WC / DC10WD / DC18RE

- ตลับแบตเตอรี่และเครื่องชาร์จบางรายการที่แสดงอยู่ด้านบนอาจไม่มีวางจำหน่ายขึ้นอยู่กับภูมิภาคที่คุณอาศัยอยู่

คำเตือน: ใช้ตลับแบตเตอรี่และเครื่องชาร์จที่ระบุไว้ข้างบนเท่านั้น การใช้ตลับแบตเตอรี่และเครื่องชาร์จประเภทอื่นอาจก่อให้เกิดความเสี่ยงที่จะได้รับบาดเจ็บและ/หรือเกิดไฟไหม้

สัญลักษณ์

ต่อไปนี้เป็นสัญลักษณ์ที่อาจใช้สำหรับอุปกรณ์ โปรดศึกษาความหมายของสัญลักษณ์ให้เข้าใจก่อนการใช้งาน

	อ่านคู่มือการใช้งาน
	อย่าให้โดนความชื้น
	สวมหมวกนิรภัย แวนตากรีน และอุปกรณ์ป้องกันเสียง
	อันตราย - ดูแลให้มืออยู่ห่างจากใบเลื่อย
	ระวังสายไฟและความเสี่ยงที่จะถูกไฟช็อต
	รักษาระยะห่างอย่างน้อย 15 m
	สำหรับประเทศในสหภาพยุโรปเท่านั้น เนื่องจากในอุปกรณ์มีส่วนประกอบอันตราย ขยะจำพวกอุปกรณ์ไฟฟ้า และอิเล็กทรอนิกส์ แบตเตอรี่ และหม้อแบตเตอรี่จึงอาจส่งผลต่อสิ่งแวดล้อมและสุขภาพของมนุษย์ในเชิงลบ อย่าทิ้งเครื่องใช้ไฟฟ้าและอิเล็กทรอนิกส์ หรือแบตเตอรี่ร่วมกับวัสดุเหลือทิ้งในครัวเรือน! เพื่อให้เป็นไปตามกฎระเบียบของยุโรป ว่าด้วยขยะจำพวกอุปกรณ์ไฟฟ้าและอิเล็กทรอนิกส์ และหม้อสะสมไฟฟ้าและแบตเตอรี่ และขยะจำพวกหม้อสะสมไฟฟ้าและแบตเตอรี่ รวมถึงการบังคับใช้ตามกฎหมายภายในประเทศ ควรมีการจัดเก็บขยะจำพวกอุปกรณ์ไฟฟ้า แบตเตอรี่ และหม้อสะสมไฟฟ้าแยกต่างหากและส่งไปยังจุดรับขยะต่างหากในเขตเทศบาลซึ่งมีการดำเนินการตามระเบียบว่าด้วยการดูแลสิ่งแวดล้อม โดยระบุด้วยสัญลักษณ์เส้นคาดขวางรูปถังขยะแบบมีล้อไว้บนอุปกรณ์
	ผ่านการรับรองระดับพลังงานเสียงตามกฎหมาย ระบุว่าด้วยเสียงรบกวนภายนอกของสหภาพยุโรป
	ระดับพลังงานเสียงตามข้อบังคับการควบคุมเสียงรบกวนของรัฐนิวเซาท์เวลส์ ประเทศออสเตรเลีย

จุดประสงค์การใช้งาน

เครื่องมือนี้ใช้สำหรับตัดแต่งพุ่มไม้

คำเตือนด้านความปลอดภัย

คำเตือนด้านความปลอดภัยของเครื่องมือไฟฟ้าทั่วไป

⚠ คำเตือน: โปรดอ่านคำเตือนด้านความปลอดภัย คำแนะนำ ภาพประกอบ และข้อมูลจำเพาะต่างๆ ที่ให้มา กับเครื่องมือไฟฟ้านี้อย่างละเอียด การไม่ปฏิบัติตามคำแนะนำดังต่อไปนี้ อาจส่งผลให้เกิดไฟฟ้าช็อต ไฟไหม้ และ/หรือได้รับบาดเจ็บอย่างร้ายแรงได้

เก็บรักษาคำเตือนและคำแนะนำทั้งหมดไว้

เป็นข้อมูลอ้างอิงในอนาคต

คำว่า “เครื่องมือไฟฟ้า” ในคำเตือนนี้หมายถึงเครื่องมือไฟฟ้า (มีสาย) ที่ทำงานโดยใช้กระแสไฟฟ้าหรือเครื่องมือไฟฟ้า (ไร้สาย) ที่ทำงานโดยใช้แบตเตอรี่

ความปลอดภัยของพื้นที่ทำงาน

1. ดูแลพื้นที่ทำงานให้มีความสะอาดและมีแสงไฟสว่าง พื้นที่รกร้างหรือมีเศษที่บดบังนำไปสู่การเกิดอุบัติเหตุได้
2. อย่าใช้งานเครื่องมือไฟฟ้าในสภาพที่อาจเกิดการระเบิด เช่น ในสถานที่ที่มีของเหลว ก๊าซ หรือฝุ่นผงที่มีคุณสมบัติไวไฟ เครื่องมือไฟฟ้าอาจสร้างประกายไฟและจุดชนวนฝุ่นผงหรือก๊าซดังกล่าว
3. ดูแลไม่ให้มีเด็กๆ หรือบุคคลอื่นอยู่ในบริเวณที่กำลังใช้เครื่องมือไฟฟ้า การมีสิ่งรบกวนสมาธิอาจทำให้คุณสูญเสียการควบคุม

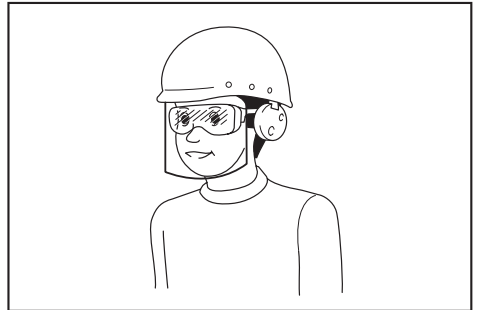
ความปลอดภัยด้านไฟฟ้า

1. ปลั๊กของเครื่องมือไฟฟ้าต้องพอดีกับเต้ารับ อย่าตัดแปลงปลั๊กไม่ว่ากรณีใดๆ อย่าใช้ปลั๊กอะแดปเตอร์กับเครื่องมือไฟฟ้าที่ต่อสายดิน ปลั๊กที่ไม่ถูกตัดแปลงและเต้ารับที่เข้ากันพอดีจะช่วยลดความเสี่ยงของการเกิดไฟฟ้าช็อต
2. ระวังอย่าให้ร่างกายสัมผัสกับพื้นผิวที่ต่อสายดิน เช่น ท่อ เครื่องนำความร้อน เตาหุงต้ม และตู้เย็น มีความเสี่ยงที่จะเกิดไฟฟ้าช็อตสูงขึ้น หากร่างกายของคุณสัมผัสกับพื้น
3. อย่าให้เครื่องมือไฟฟ้าถูกน้ำหรืออยู่ในสภาพเปียกชื้น น้ำที่ไหลเข้าไปในเครื่องมือไฟฟ้าจะเพิ่มความเสี่ยงของการเกิดไฟฟ้าช็อต

- อย่าใช้สายไฟอย่างไม่เหมาะสม อย่าใช้สายไฟเพื่อยก ดึง หรือถอดปลั๊กเครื่องมือไฟฟ้า เก็บสายไฟให้ห่างจากความร้อน น้ำมัน ของมีคม หรือชิ้นส่วนที่เคลื่อนที่ สายที่ชำรุดหรือพันกันจะเพิ่มความเสี่ยงของการเกิดไฟฟ้าช็อต
- ขณะที่ใช้งานเครื่องมือไฟฟ้านอกอาคาร ควรใช้สายต่อพ่วงที่เหมาะสมกับงานภายนอกอาคาร การใช้สายที่เหมาะสมกับงานภายนอกอาคารจะลดความเสี่ยงของการเกิดไฟฟ้าช็อต
- หากต้องใช้งานเครื่องมือไฟฟ้าในสถานที่เปียกชื้น ให้ใช้อุปกรณ์ป้องกันกระแสไฟรั่ว (RCD) การใช้ RCD จะลดความเสี่ยงของการเกิดไฟฟ้าช็อต
- เครื่องมือไฟฟ้าอาจสร้างสนามแม่เหล็ก (EMF) ที่ไม่เป็นอันตรายต่อผู้ใช้ อย่างไรก็ตาม ผู้ใช้ที่ใส่เครื่องกระตุ้นหัวใจและอุปกรณ์ทางการแพทย์ที่คล้ายกันนี้ ควรติดต่อผู้ผลิตอุปกรณ์และ/หรือแพทย์เพื่อรับคำแนะนำก่อนใช้งานเครื่องมือไฟฟ้านี้
- แต่งกายให้เหมาะสม อย่าสวมเครื่องแต่งกายที่หลวมเกินไป หรือสวมเครื่องประดับ ดูแลไม่ให้เส้นผมและเสื้อผ้าอยู่ใกล้ชิ้นส่วนที่เคลื่อนที่ เสื้อผ้ารุ่มร่าม เครื่องประดับ หรือผมที่มีความยาวอาจเข้าไปติดในชิ้นส่วนที่เคลื่อนที่
- หากมีการจัดอุปกรณ์สำหรับดูดและจับฝุ่นไว้ในสถานที่ ให้ตรวจสอบว่าได้เชื่อมต่อและใช้งานอุปกรณ์นั้นอย่างเหมาะสม การใช้เครื่องดูดและจับฝุ่นจะช่วยลดอันตรายที่เกิดจากฝุ่นผงได้
- อย่าให้ความคุ้นเคยจากการใช้งานเครื่องมือเป็นประจำทำให้คุณทำตามตามสบายและละเลยหลักการเพื่อความปลอดภัยในการใช้เครื่องมือ การกระทำที่ไม่ระมัดระวังอาจทำให้เกิดการบาดเจ็บร้ายแรงภายในเสี้ยววินาที
- สวมใส่แว่นครอบตานิรภัยเพื่อปกป้องดวงตาของคุณจากการบาดเจ็บเมื่อใช้เครื่องมือไฟฟ้า แว่นครอบตาคงต้องได้มาตรฐาน ANSI Z87.1 ในสหรัฐอเมริกา, EN 166 ในยุโรป หรือ AS/NZS 1336 ในออสเตรเลีย/นิวซีแลนด์ ในออสเตรเลีย/นิวซีแลนด์ จะต้องสวมเกราะป้องกันใบหน้าเพื่อปกป้องใบหน้าของคุณอย่างถูกต้องตามกฎหมายด้วย

ความปลอดภัยส่วนบุคคล

- ให้ระมัดระวังและมีสติอยู่เสมอขณะใช้งานเครื่องมือไฟฟ้า อย่าใช้งานเครื่องมือไฟฟ้าในขณะที่คุณกำลังเหนื่อย หรือในสภาพที่มึนเมาจากยาเสพติด เครื่องดื่ม แอลกอฮอล์ หรือการใช้ยา ช่วงเวลาที่ขาดความระมัดระวังเมื่อกำลังใช้งานเครื่องมือไฟฟ้าอาจทำให้ได้รับบาดเจ็บร้ายแรง
- ใช้อุปกรณ์ป้องกันส่วนบุคคล สวมแว่นตาป้องกันเสมอ อุปกรณ์ป้องกัน เช่น หน้ากากกันฝุ่น รองเท้านิรภัย กันลื่น หมวกนิรภัย หรือเครื่องป้องกันการได้ยินที่ใช้ในสภาพที่เหมาะสมจะช่วยลดการบาดเจ็บ
- ป้องกันไม่ให้เกิดการเปิดใช้งานโดยไม่ตั้งใจ ตรวจสอบให้แน่ใจว่าสวิตช์ปิดอยู่ก่อนที่จะเชื่อมต่อกับแหล่งจ่ายไฟ และ/หรือชุดแบตเตอรี่ รวมทั้งตรวจสอบก่อนการยกหรือเคลื่อนย้ายเครื่องมือ การถอดนิ้วมือบริเวณสวิตช์เพื่อถอยเครื่องมือไฟฟ้า หรือการชาร์จไฟเครื่องมือไฟฟ้าในขณะที่เปิดสวิตช์อยู่อาจนำไปสู่การเกิดอุบัติเหตุ
- นำกฎความปลอดภัยหรือประแจออกก่อนที่จะเปิดเครื่องมือไฟฟ้า ประแจหรือกฎเฉงที่เสียบค้างอยู่ในชิ้นส่วนที่หมุนได้ของเครื่องมือไฟฟ้าอาจทำให้ได้รับบาดเจ็บ
- อย่าทำงานในระยะที่สูดไอ้ม จัดท่ากรงยืนและการทรงตัวให้เหมาะสมตลอดเวลา เพราะจะทำให้ควบคุมเครื่องมือไฟฟ้าได้ดีขึ้นในสถานการณ์ที่ไม่คาดคิด



ผู้ว่าจ้างมีหน้าที่รับผิดชอบในการบังคับผู้ใช้งานเครื่องมือและบุคคลอื่นๆ ที่อยู่ในบริเวณที่ปฏิบัติงานให้ใช้อุปกรณ์ป้องกันที่เหมาะสม

การใช้และดูแลเครื่องมือไฟฟ้า

- อย่าฝืนใช้เครื่องมือไฟฟ้า ใช้เครื่องมือไฟฟ้าที่เหมาะสมกับการใช้งานของคุณ เครื่องมือไฟฟ้าที่เหมาะสมจะทำให้ได้งานที่มีประสิทธิภาพและปลอดภัยกว่าตามขีดความสามารถของเครื่องที่ได้รับการออกแบบมา
- อย่าใช้เครื่องมือไฟฟ้า หากสวิตช์ไม่สามารถเปิดปิดได้ เครื่องมือไฟฟ้าที่ควบคุมด้วยสวิตช์ไม่ได้เป็นสิ่งอันตรายและต้องได้รับการซ่อมแซม

3. ถอดปลั๊กจากแหล่งจ่ายไฟ และ/หรือชุดแบตเตอรี่ ออกจากเครื่องมือไฟฟ้าก่อนทำการปรับตั้ง เปลี่ยน อุปกรณ์เสริม หรือจัดเก็บเครื่องมือไฟฟ้า วิธีการ ป้องกันด้านความปลอดภัยดังกล่าวจะช่วยลดความเสี่ยงในการเปิดใช้งานเครื่องมือไฟฟ้าโดยไม่ตั้งใจ
4. จัดเก็บเครื่องมือไฟฟ้าที่ไม่ได้ใช้งานให้ห่างจากมือเด็ก และอย่าอนุญาตให้บุคคลที่ไม่คุ้นเคยกับเครื่องมือไฟฟ้าหรือคำแนะนำเหล่านี้ใช้งานเครื่องมือไฟฟ้า เครื่องมือไฟฟ้าจะเป็นอันตรายเมื่ออยู่ในมือของผู้ที่ไม่ได้รับการฝึกอบรม
5. บำรุงรักษาเครื่องมือไฟฟ้าและอุปกรณ์เสริม ตรวจสอบการประกอบที่ไม่ถูกต้องหรือการเชื่อมต่อของ ชิ้นส่วนที่เคลื่อนที่ การแตกหักของชิ้นส่วน หรือ สภาพอื่น ๆ ที่อาจส่งผลกระทบต่อการทำงานของ เครื่องมือไฟฟ้า หากมีความเสียหาย ให้นำเครื่องมือ ไฟฟ้าไปซ่อมแซมก่อนการใช้งาน อุบัติเหตุจำนวนมากเกิดจากการดูแลรักษาเครื่องมือไฟฟ้าอย่างไม่ถูกต้อง
6. ทำความสะอาดเครื่องมือตัดและลับให้คมอยู่เสมอ เครื่องมือการตัดที่มีการดูแลอย่างถูกต้องและมีขอบ การตัดคมมักจะมีปัญหาติดขัดน้อยและควบคุมได้ง่ายกว่า
7. ใช้เครื่องมือไฟฟ้า อุปกรณ์เสริม และวัสดุสิ้นเปลือง ชลช ตามคำแนะนำดังกล่าว พิจารณาสภาพการทำงานและงานที่จะลงมือทำ การใช้เครื่องมือไฟฟ้า เพื่อทำงานอื่นนอกเหนือจากที่กำหนดไว้อาจทำให้เกิด อันตราย
8. ดูแลมือจับและบริเวณมือจับให้แห้ง สะอาด และไม่มี น้ำมันและจารบีเปื้อน มือจับและบริเวณมือจับที่ลื่น จะทำให้ไม่สามารถจับและควบคุมเครื่องมือได้อย่าง ปลอดภัยในสถานการณ์ที่ไม่คาดคิด
9. ขณะใช้งานเครื่องมือ อย่าสวมใส่ถุงมือผ้าที่อาจเข้าไป ติดในเครื่องมือได้ หากถุงมือผ้าเข้าไปติดในชิ้นส่วนที่ กำลังเคลื่อนที่อยู่อาจทำให้ได้รับบาดเจ็บ

การใช้งานและดูแลเครื่องมือที่ใช้แบตเตอรี่

1. ชาร์จไฟใหม่ด้วยเครื่องชาร์จที่ระบุโดยผู้ผลิตเท่านั้น เครื่องชาร์จที่เหมาะสมสำหรับชุดแบตเตอรี่ประเภทหนึ่ง อาจเสี่ยงที่จะเกิดไฟไหม้หากนำไปใช้กับชุดแบตเตอรี่ อีกประเภทหนึ่ง
2. ใช้เครื่องมือไฟฟ้ากับชุดแบตเตอรี่ที่กำหนดมาโดยเฉพาะเท่านั้น การใช้ชุดแบตเตอรี่ประเภทอื่นอาจ ทำให้เสี่ยงที่จะได้รับบาดเจ็บและเกิดไฟไหม้

3. เมื่อไม่ใช้งานชุดแบตเตอรี่ ให้เก็บห่างจากวัตถุที่เป็น โลหะอื่นๆ เช่น คลิปหนีบกระดาษ เหรียญ กุญแจ การกรัดเล็บ สกรู หรือวัตถุที่เป็นโลหะขนาดเล็ก อื่นๆ ที่สามารถเชื่อมต่อขั้วหนึ่งกับอีกขั้วหนึ่งได้ การ ลัดวงจรขั้วแบตเตอรี่อาจทำให้อันตรายจัดหรือเกิดไฟไหม้
4. ในกรณีที่ใช้งานไม่ถูกต้อง อาจมีของเหลวไหลออก จากแบตเตอรี่ ให้หลีกเลี่ยงการสัมผัส หากสัมผัส โดนของเหลวโดยไม่ตั้งใจ ให้ล้างออกด้วยน้ำ หาก ของเหลวกระเด็นเข้าตา ให้รีบไปพบแพทย์ ของเหลว ที่ไหลออกจากแบตเตอรี่อาจทำให้ผิวหนังระคายเคือง หรือไหม้
5. ห้ามใช้ชุดแบตเตอรี่หรือเครื่องมือที่ชาร์จหรือมีการ แก้ว แบตเตอรี่ที่เสียหายหรือมีการแก้ไขอาจทำให้ เกิดสิ่งที่ไม่ดีได้ เช่น ไฟไหม้ ระเบิด หรือเสี่ยง ต่อการบาดเจ็บ
6. ห้ามให้ชุดแบตเตอรี่อยู่ใกล้ไฟ หรือบริเวณที่มีอุณหภูมิ สูงเกิน หากโดนไฟ หรืออุณหภูมิสูงเกิน 130 °C อาจ ก่อให้เกิดการระเบิดได้
7. กรุณาปฏิบัติตามคำแนะนำสำหรับการชาร์จไฟ และ ห้ามชาร์จแบตเตอรี่หรือเครื่องมือในบริเวณที่มี อุณหภูมิ นอกเหนือไปจากที่ระบุในคำแนะนำ การชาร์จ ไฟที่ไม่เหมาะสม หรืออุณหภูมิ นอกเหนือไปจากช่วง อุณหภูมิที่ระบุในคำแนะนำอาจทำให้แบตเตอรี่เสียหาย และเป็น การเพิ่มความเสียหายในการเกิดไฟไหม้

การซ่อมบำรุง

1. นำเครื่องมือไฟฟ้าเข้ารับบริการจากช่างซ่อมที่ผ่าน การรับรองโดยใช้อะไหล่แบบเดียวกันเท่านั้น เพราะจะ ทำให้การใช้เครื่องมือไฟฟ้ามีความปลอดภัย
2. ห้ามใช้ชุดแบตเตอรี่ที่เสียหาย ชุดแบตเตอรี่ที่ใช้ควร เป็นชุดที่มาจากผู้ผลิต หรือผู้ให้บริการที่ได้รับอนุญาต เท่านั้น
3. ปฏิบัติตามคำแนะนำในการหล่อลื่นและการเปลี่ยน อุปกรณ์เสริม

คำเตือนด้านความปลอดภัยของเครื่องตัดแต่ง พุ่มไม้สูงไร้สาย

1. ดูแลให้ทุกส่วนของร่างกายอยู่ห่างจากใบเลื่อย อย่างน้อย 1 เมตร หลังจากตัดแล้วหรือจับวัสดุเพื่อทำการตัดในขณะที่ ใบเลื่อยกำลังทำงานอยู่ ใบเลื่อยจะยังคงเคลื่อนไหว ต่อไปแม้ว่าจะปิดสวิตช์แล้วก็ตาม ชั่วขณะที่ขาดความ ระมัดระวังในขณะที่ใช้งานเครื่องตัดแต่งพุ่มไม้ อาจส่ง ผลให้ได้รับบาดเจ็บสาหัสได้

2. ถือเครื่องตัดแต่งพุ่มไม้โดยจับที่มือจับในขณะที่ใบเลื่อยหยุดนิ่งแล้ว และระวังอย่าใช้งานสวิชไฟใดๆ การถือเครื่องตัดแต่งพุ่มไม้ไม่เหมาะสมจะช่วยลดความเสี่ยงในการสตาร์ทเครื่องโดยไม่ได้ตั้งใจและการบาดเจ็บจากใบเลื่อยที่เกิดขึ้นหลังจากนั้นได้
3. ขณะขนย้ายหรือเก็บเครื่องตัดแต่งพุ่มไม้ ให้ใส่ผ้าครอบใบเลื่อยเสมอ การจัดการเครื่องตัดแต่งพุ่มไม้ไม่เหมาะสมจะช่วยลดความเสี่ยงในการบาดเจ็บจากใบเลื่อยได้
4. เมื่อต้องการกำจัดสิ่งที่ติดอยู่หรือทำการบำรุงรักษาเครื่องมือ ให้ตรวจสอบว่าได้ปิดสวิชไฟทุกอันและถอดหรือตัดการเชื่อมต่อชุดแบตเตอรี่ออกแล้ว การที่เครื่องตัดแต่งพุ่มไม้ทำงานขึ้นมาจากไม่คาดคิดขณะที่กำลังกำจัดสิ่งที่ติดอยู่หรือทำการบำรุงรักษาเครื่องมือ อาจทำให้เกิดการบาดเจ็บร้ายแรงได้
5. ถือเครื่องตัดแต่งพุ่มไม้โดยจับพื้นผิวส่วนที่ห่อหุ้มด้วยฉนวนไฟฟ้าเท่านั้น เนื่องจากใบเลื่อยอาจสัมผัสกับสายไฟที่ซ่อนอยู่ ใบเลื่อยที่สัมผัสกับสายไฟที่ “มีกระแสไฟฟ้าไหลผ่าน” อาจทำให้ส่วนที่เป็นโลหะของเครื่องตัดแต่งพุ่มไม้ที่ไม่มีฉนวนหุ้ม “มีกระแสไฟฟ้าไหลผ่าน” และทำให้ผู้ปฏิบัติงานถูกไฟฟ้าช็อตได้
6. ให้สายไฟและสายเคเบิลทุกเส้นอยู่ห่างจากพื้นที่ที่ตัดสายไฟและสายเคเบิลอาจซ่อนอยู่ในแนวดันไม้เตี้ยหรือพุ่มไม้และอาจถูกใบมีดตัดขาดโดยไม่ได้ตั้งใจได้
7. อย่าใช้เครื่องตัดแต่งพุ่มไม้ในสภาพอากาศที่ไม่ดี โดยเฉพาะเมื่อมีความเสี่ยงที่จะเกิดฟ้าผ่า ซึ่งจะเพิ่มความเสี่ยงในการถูกฟ้าผ่า
8. เพื่อลดความเสี่ยงจากการเสียชีวิตจากฟ้าผ่า ห้ามใช้เครื่องตัดแต่งพุ่มไม้สูงใกล้กับสายไฟฟ้าใดๆ การสัมผัสหรือใช้เครื่องมือใกล้กับสายไฟฟ้าอาจทำให้ได้รับบาดเจ็บสาหัสหรือไฟฟ้าช็อตจนถึงแก่ชีวิตได้
9. ใช้มือสองข้างเสมอเมื่อใช้งานเครื่องตัดแต่งพุ่มไม้สูง ถือเครื่องตัดแต่งพุ่มไม้สูงด้วยมือทั้งสองข้างเพื่อหลีกเลี่ยงการสูญเสียการควบคุม
10. ใช้ที่ป้องกันศีรษะเสมอเมื่อใช้งานเครื่องตัดแต่งพุ่มไม้สูงเหนือศีรษะ เศษต่างๆ ที่ร่วงหล่นลงมาอาจทำให้ได้รับบาดเจ็บสาหัสได้

คำแนะนำด้านความปลอดภัยเพิ่มเติม

การเตรียมความพร้อม

1. เครื่องตัดแต่งพุ่มไม้นี้อาจก่อให้เกิดการบาดเจ็บร้ายแรงได้ อ่านคำแนะนำอย่างละเอียดเพื่อดูการจัดการเตรียมการ การบำรุงรักษา การเริ่ม และการหยุดการทำงานของเครื่องมือที่ถูกต้อง ทำความคุ้นเคยกับการควบคุมและการใช้งานเครื่องมือทั้งหมดอย่างเหมาะสม
2. ตรวจสอบว่าแนวพุ่มไม้และพุ่มไม้มีวัตถุแปลกปลอมหรือไม่ เช่น รั้วลวด หรือการเดินสายไฟที่ซ่อนอยู่ ก่อนใช้งานเครื่องมือ
3. ห้ามให้เด็กหรือเยาวชนอายุต่ำกว่า 18 ปีใช้งานเครื่องตัดแต่งพุ่มไม้ โดยอาจยกเว้นข้อจำกัดนี้ให้แก่เยาวชนที่มีอายุเกิน 16 ปีหากเยาวชนดังกล่าวได้ผ่านการฝึกอบรมภายใต้การควบคุมดูแลของผู้เชี่ยวชาญแล้ว
4. ในกรณีฉุกเฉิน ให้ปิดสวิชเครื่องมือและถอดตัวแบตเตอรี่ออกทันที
5. อันตราย - อย่านำมือเข้าไปใกล้ใบเลื่อย การสัมผัสกับใบเลื่อยอาจทำให้ได้รับบาดเจ็บสาหัสได้
6. ผู้ที่ใช้งานอุปกรณ์เป็นครั้งแรกควรให้ผู้ใช้งานที่มีประสบการณ์แสดงวิธีใช้งานเครื่องมือให้ดู
7. ก่อนทำงาน ให้ตรวจสอบรั้วลวด ก้อนหิน หรือวัตถุที่แข็งอื่นๆ บริเวณพื้นที่ทำงาน เนื่องจากอาจทำให้ใบเลื่อยเสียหายได้
8. ใช้เครื่องตัดแต่งพุ่มไม้เมื่อมีสภาพร่างกายสมบูรณ์เท่านั้น หากรู้สึกเหนื่อย สามารถลดลง โปรดใช้ความระมัดระวังเป็นพิเศษในช่วงท้ายของวันทำงาน ทำงานอย่างไถ่ยืนและใช้ความระมัดระวังทุกครั้ง ผู้ใช้ต้องรับผิดชอบต่อความเสียหายทั้งหมดที่เกิดขึ้นต่อบุคคลที่สาม
9. ก่อนเริ่มทำงาน ให้ตรวจสอบเพื่อให้แน่ใจว่าเครื่องตัดแต่งสามารถทำงานได้อย่างดีและปลอดภัย ตรวจสอบให้แน่ใจว่าได้ติดตั้งที่ป้องกันแล้วอย่างเหมาะสม ห้ามใช้งานเครื่องตัดแต่งพุ่มไม้ที่ไม่ได้ประกอบอย่างสมบูรณ์
10. หลีกเลี่ยงสภาพแวดล้อมที่อันตราย อย่านำเครื่องมือไปในสถานที่ที่เปียกหรือชื้น หรือให้เครื่องมือโดนน้ำฝน น้ำที่ไหลเข้าไปในเครื่องมือจะเพิ่มความเสี่ยงของการเกิดไฟฟ้าช็อต

อุปกรณ์ป้องกันส่วนบุคคล

1. ถุงมือหนึ่งอย่างหนาเป็นหนึ่งในการป้องกันพื้นฐานของเครื่องตัดแต่งพุ่มไม้และจะต้องใส่ทุกครั้งที่ใช้ใช้งานเครื่องตัด และสวมรองเท้าแข็งแรงที่มีพื้นกันลื่น

2. สวมอุปกรณ์ป้องกันหู เช่น ที่ครอบหู เพื่อป้องกันการสูญเสียการได้ยิน
3. สวมแว่นตาป้องกัน หมวกนิรภัย และถุงมือป้องกัน เพื่อป้องกันตัวเองจากเศษวัสดุกระเด็นหรือวัตถุที่ตกลงมา
4. เมื่อสัมผัสใบเลื่อยหรือทำการปรับมุมใบเลื่อย ให้สวมถุงมือป้องกัน ใบเลื่อยอาจบาดมือเปล่าจนบาดเจ็บสาหัส

การใช้งาน

1. ใช้มือทั้งสองข้างเสมอในการใช้งานเครื่องมือ การใช้มือข้างเดียวอาจทำให้สูญเสียการควบคุมและส่งผลให้ได้รับบาดเจ็บสาหัสได้
2. ขณะใช้งานเครื่องมือ ตรวจสอบว่าตำแหน่งการทำงานมีความปลอดภัยและมั่นคง การเอื้อมตัดด้วยเครื่องมือ โดยเฉพาะการเอื้อมจากบันไดถือเป็นการกระทำที่อันตรายมาก อย่าทำงานโดยยืนอยู่บนสิ่งที่โยกเยกไปมาได้หรือไม่มั่นคง
3. อย่าสวมเข็มขัดและ/หรือสายสะพายไหล่พร้อมกันหลายเส้นขณะใช้งานเครื่องมือ
4. ในระหว่างการใช้งาน ดูแลให้ผู้ที่อยู่ใกล้เคียงหรือสัตว์อยู่ห่างจากเครื่องมืออย่างน้อย 15 m หยุดใช้เครื่องมือทันทีที่มีผู้เข้ามาใกล้
5. หากเครื่องมือติดชนกับวัตถุใดๆ หรือเครื่องมือเริ่มเกิดเสียงหรือสั่นสะเทือนผิดปกติ ให้ปิดสวิทช์เครื่องมือและถอดด้ามแบตเตอรี่ออกทันทีและปล่อยให้เครื่องมือหยุด แล้วทำตามขั้นตอนดังต่อไปนี้:
 - สืบหาความเสี่ยง
 - ตรวจสอบชิ้นส่วนที่หลวมและขันให้แน่น
 - เปลี่ยนหรือซ่อมแซมชิ้นส่วนที่เสียหายด้วยอะไหล่ของแท้
6. ใช้เครื่องมือตามวัตถุประสงค์ที่ระบุไว้เท่านั้น อย่าใช้เครื่องมือนี้เพื่อวัตถุประสงค์อื่น
7. ปิดสวิทช์เครื่องมือและถอดด้ามแบตเตอรี่ก่อน
 - ทำความสะอาดหรือเมื่อกำจัดสิ่งกีดขวาง
 - ตรวจสอบ ทำการบำรุงรักษา หรือดูแลเครื่องมือ
 - ปรับตำแหน่งการทำงานของใบมีดตัด
 - หิ้วเครื่องมือไว้โดยไม่สัมผัส
8. ตรวจสอบว่าเครื่องมือถูกจัดตำแหน่งไว้อย่างเหมาะสมในตำแหน่งการทำงานที่กำหนดไว้ก่อนเริ่มใช้งานเครื่องมือ
9. อย่าใช้งานเครื่องมือที่มีใบมีดตัดเสียหายหรือสึกหรอเกินควร

10. โปรดระวังรอบๆ ตัวคุณและระวังอันตรายที่อาจเกิดขึ้นอยู่เสมอซึ่งคุณอาจไม่ตระหนักถึงเนื่องจากเสียงรบกวนจากเครื่องมือ
11. ระวังอย่าสัมผัสกับรั้วโลหะหรือของแข็งอื่นๆ โดยไม่ได้ตั้งใจขณะทำงาน ใบเลื่อยจะหักและอาจทำให้เกิดการบาดเจ็บร้ายแรงได้
12. หลีกเลี่ยงไม่ให้เปิดใช้งานโดยไม่ตั้งใจ อย่าถือเครื่องมือขณะที่ด้ามแบตเตอรี่ติดตั้งอยู่และวางนิ้วมือไว้ที่สวิทช์ ตรวจสอบว่าปิดสวิทช์แล้วขณะติดตั้งด้ามแบตเตอรี่
13. อย่าจับใบมีดตัดเปล่าหรือขอบตัดขณะหยิบหรือจับเครื่องมือ
14. อย่าฝืนใช้เครื่องมือ เครื่องมือจะทำงานได้ดีกว่าและมีแนวโน้มเสี่ยงต่อการบาดเจ็บน้อยกว่าในอัตราการการทำงานที่กำหนดไว้
15. อย่าใช้เครื่องมือขณะฝนตกหรือในสภาพเปียกหรือมีความชื้นมาก มอเตอร์ไฟฟ้าไม่สามารถกันน้ำได้
16. ถือเครื่องมือไว้ให้มั่นคงขณะใช้งาน
17. อย่าใช้เครื่องมือโดยปิดเครื่องทิ้งไว้เฉยๆ โดยไม่จำเป็น
18. ก่อนตรวจสอบใบมีดตัด แกะไขความบกพร่อง หรือนำสิ่งแปลกปลอมที่ติดอยู่ในใบมีดตัดออก ให้ปิดสวิทช์เครื่องมือและถอดด้ามแบตเตอรี่ออก
19. ห้ามหันใบเลื่อยตัดเข้าหาตัวเองหรือผู้อื่น
20. หากใบเลื่อยหยุดหมุนเนื่องจากมีวัตถุแปลกปลอมเข้ามาติดระหว่างการทำงาน ให้ปิดสวิทช์เครื่องมือและถอดด้ามแบตเตอรี่ จากนั้นนำวัตถุแปลกปลอมออกโดยใช้เครื่องมือ เช่น คีม การนำวัตถุแปลกปลอมออกด้วยมือเปล่าอาจทำให้ได้รับบาดเจ็บ เนื่องจากใบเลื่อยอาจเคลื่อนที่ซึ่งเป็นปฏิกิริยาตอบกลับเพื่อนำวัตถุแปลกปลอมออก

ความปลอดภัยทางไฟฟ้าและแบตเตอรี่

1. หลีกเลี่ยงการใช้งานในสภาพแวดล้อมที่อันตราย ห้ามใช้เครื่องมือในพื้นที่เปียกชื้นหรือโดนมีดฝน น้ำที่เข้าไปในเครื่องมือจะเพิ่มความเสี่ยงในการเกิดไฟฟ้าช็อต
2. อย่ากำจัดแบตเตอรี่ในไฟ แบตเตอรี่อาจจะเปิดได้ ตรวจสอบรหัสท้องถิ่นสำหรับคำแนะนำเกี่ยวกับการกำจัดทิ้งแบบพิเศษ
3. อย่าเปิดหรือทำให้แบตเตอรี่เสียหาย อิเล็กโทรไลต์ที่ถูกปล่อยออกมามีคุณสมบัติที่ก่ออันตราย และอาจทำลายดวงตาหรือผิวหนังได้ อาจเป็นพิษหากกลืนกินเข้าไป
4. อย่าชาร์จแบตเตอรี่กลางแจ้งหรือในสถานที่ที่เปียก
5. ห้ามชาร์จไฟนอกบ้าน หรือกลางแจ้ง

- ห้ามจับอุปกรณ์ชาร์จรวมถึงปลั๊กเครื่องชาร์จและขั้วอุปกรณ์ชาร์จด้วยมือที่เปียก

การบำรุงรักษาและการเก็บรักษา

- เมื่อหยุดเครื่องมือเพื่อทำการบำรุงรักษา ตรวจสอบหรือเก็บรักษา ให้ปิดสวิตช์เครื่องมือและถอดตลับแบตเตอรี่ออก และตรวจสอบว่าชิ้นส่วนเคลื่อนไหวทั้งหมดหยุดนิ่งแล้ว ปล่อยให้เครื่องมือไว้ให้เย็นลงก่อนทำการตรวจสอบ ปรับแต่ง และอื่นๆ
- ปล่อยให้เครื่องมือไว้ให้เย็นลงก่อนทำการจัดเก็บเสมอ
- เมื่อไม่ใช้งาน ให้ติดฝาครอบใบมีดไว้กับเครื่องมือและจัดเก็บเครื่องมือไว้ในที่ร่มที่แห้งและบนที่สูงที่มีการปิดล็อก โดยให้พ้นจากมือเด็ก
- ดูแลรักษาเครื่องมือด้วยความใส่ใจ รักษาปลายตัดให้คมและสะอาดอยู่เสมอเพื่อประสิทธิภาพการทำงานที่ดีที่สุดและเพื่อลดความเสี่ยงในการเกิดการบาดเจ็บปฏิบัติตามคำแนะนำในการหล่อลื่นและการเปลี่ยนอุปกรณ์เสริม ดูแลตามจับให้แห้ง สะอาด และไม่มีน้ำมันและจาระบีเปื้อน
- ตรวจสอบส่วนที่เสียหาย ก่อนใช้งานเครื่องมือ ต้องตรวจสอบชิ้นส่วนที่เสียหายอย่างละเอียด เพื่อพิจารณาว่าสามารถใช้งานเครื่องมือได้อย่างเหมาะสมตามจุดประสงค์การใช้งานหรือไม่ ตรวจสอบการวางแนวของชิ้นส่วนเคลื่อนที่ การติดขัดของชิ้นส่วนเคลื่อนที่ ความเสียหายของชิ้นส่วน การติดตั้ง และสภาพอื่นๆ ที่อาจส่งผลต่อการทำงานของเครื่อง ควรซ่อมแซมหรือเปลี่ยนแปลงอุปกรณ์ป้องกันหรือส่วนอื่นๆ ที่เสียหายโดยศูนย์บริการที่ได้รับอนุญาตของเรา
- ใช้อะไหล่ของแท้เท่านั้น
- ขณะย้ายเครื่องมือไปที่อื่น รวมถึงในระหว่างทำงาน ให้ถอดตลับแบตเตอรี่ออกและใส่ฝาครอบใบเลื่อยบนใบมีดติดเสมอ ห้ามถือหรือขนย้ายเครื่องมือโดยที่ใบมีดกำลังทำงานอยู่ ห้ามจับใบมีดด้วยมือเด็ดขาด
- ทำความสะอาดเครื่องมือและโดยเฉพาะใบมีดหลังใช้งาน และก่อนเก็บเครื่องมือเป็นระยะเวลานาน ทาน้ำมันบางๆ บนใบมีดหัวตัดและใส่ฝาครอบใบมีด
- อย่าทิ้งแบตเตอรี่ในกองไฟ เซลล์แบตเตอรี่อาจระเบิดได้ ตรวจสอบหลักเกณฑ์ในท้องถิ่นเพื่อค้นหาคำแนะนำในการกำจัดที่อาจต้องทำเป็นพิเศษ
- อย่าแกะหรือทำลายแบตเตอรี่ สารละลายอิเล็กโทรไลต์ที่รั่วออกมามีฤทธิ์กัดกร่อนและสามารถทำให้เกิดอันตรายต่อดวงตาหรือผิวหนัง อาจเป็นพิษได้หากกลืนลงไป
- อย่าชาร์จแบตเตอรี่กลางฝนหรือในสถานที่ที่เปียก

ปฏิบัติตามคำแนะนำเหล่านี้

คำเตือน: อย่าให้ความไม่ระมัดระวังหรือความคุ้นเคยกับผลิตภัณฑ์ (จากการใช้งานซ้ำหลายครั้ง) อยู่เหนือการปฏิบัติตามกฎเกณฑ์ด้านความปลอดภัยในการใช้งาน ผลิตภัณฑ์อย่างเคร่งครัด การใช้งานอย่างไม่เหมาะสมหรือการไม่ปฏิบัติตามกฎเกณฑ์ด้านความปลอดภัยในคู่มือการใช้งานนี้อาจทำให้ได้รับบาดเจ็บร้ายแรง

คำแนะนำเพื่อความปลอดภัยที่สำคัญสำหรับตลับแบตเตอรี่

- ก่อนใช้งานตลับแบตเตอรี่ ให้อ่านคำแนะนำและเครื่องหมายเตือนทั้งหมดบน (1) เครื่องชาร์จแบตเตอรี่ (2) แบตเตอรี่ และ (3) ตัวผลิตภัณฑ์ที่ใช้แบตเตอรี่
- อย่าถอดแยกชิ้นส่วนหรือทำการดัดแปลงตลับแบตเตอรี่ เนื่องจากอาจทำให้เกิดไฟไหม้ ความร้อนที่สูงเกินไป หรือระเบิดได้
- หากระยะเวลาที่เครื่องทำงานสั้นเกินไป ให้หยุดใช้งานทันที เนื่องจากอาจมีความเสี่ยงที่จะร้อนจัด ไหม้หรือระเบิดได้
- หากสารละลายอิเล็กโทรไลต์กระเด็นเข้าตา ให้ล้างออกด้วยน้ำเปล่าและรีบไปพบแพทย์ทันที เนื่องจากอาจทำให้ตาบอด
- ห้ามลัดวงจรตลับแบตเตอรี่:
 - ห้ามแตะขั้วกับวัตถุที่เป็นสื่อนำไฟฟ้าใดๆ
 - หลีกเลี่ยงการเก็บตลับแบตเตอรี่ไว้ในภาชนะร่วมกับวัตถุที่เป็นโลหะ เช่น กรรไกรตัดเล็บ เหรียญ ฯลฯ
 - อย่าให้ตลับแบตเตอรี่ถูกน้ำหรือฝน แบตเตอรี่ลัดวงจรอาจทำให้เกิดการไหลของกระแสไฟฟ้า ร้อนจัด ไหม้หรือเสียหายได้
- ห้ามเก็บและใช้เครื่องมือและตลับแบตเตอรี่ไว้ในสถานที่อุณหภูมิสูงถึงหรือเกิน 50 °C (122 °F)
- ห้ามเผาตลับแบตเตอรี่ทิ้ง แม้ว่าแบตเตอรี่จะเสียหายจนใช้งานได้หรือเสื่อมสภาพแล้ว ตลับแบตเตอรี่อาจจะระเบิดในกองไฟ
- อย่าตอกตะปู ตัด บด ข้าง หรือทำตลับแบตเตอรี่หล่นพื้น หรือกระแทกตลับแบตเตอรี่กับวัตถุของแข็ง การกระทำดังกล่าวอาจส่งผลให้เกิดไฟไหม้ ความร้อนที่สูงเกินไป หรือระเบิดได้
- ห้ามใช้แบตเตอรี่ที่เสียหาย

10. แบตเตอรี่ลิเทียมไอออนที่มีมาให้เห็นเป็นไปตามข้อกำหนดของ Dangerous Goods Legislation สำหรับการขนส่งเพื่อการพาณิชย์ เช่น โดยบุคคลที่สาม ตัวแทนขนส่งสินค้า จะต้องตรวจสอบข้อกำหนดพิเศษในด้านการบรรจุหีบห่อหรือการติดป้ายสินค้าในการเตรียมสินค้าที่จะขนส่ง ให้ปรึกษาผู้เชี่ยวชาญด้านวัตถุอันตราย โปรดตรวจสอบข้อกำหนดในประเทศที่อาจมีรายละเอียดอื่นๆ เพิ่มเติม ให้ติดเทปหรือปิดหน้าสัมผัสและห่อแบตเตอรี่ในลักษณะที่แบตเตอรี่จะไม่เคลื่อนที่ไปมาในหีบห่อ
11. เมื่อกำจัดตลับแบตเตอรี่ ให้ถอดตลับแบตเตอรี่ออกจากเครื่องมือและกำจัดในสถานที่ที่ปลอดภัย ปฏิบัติตามข้อบังคับในท้องถิ่นที่เกี่ยวข้องกับการกำจัดแบตเตอรี่
12. ใช้แบตเตอรี่กับผลิตภัณฑ์ที่ระบุโดย Makita เท่านั้น การติดตั้งแบตเตอรี่ในผลิตภัณฑ์ที่ไม่ใช่ตามที่ระบุอาจทำให้เกิดไฟไหม้ ความร้อนสูง ระเบิด หรืออิเล็กทรอนิกส์ที่ไวต่อรั่วไหลได้
13. หากไม่ใช้เครื่องมือเป็นระยะเวลานาน จะต้องถอดแบตเตอรี่ออกจากเครื่องมือ
14. ในระหว่างและหลังการใช้งาน ตลับแบตเตอรี่อาจร้อนซึ่งอาจลวกผิวหรือทำให้ผิวไหม้ที่อุณหภูมิต่ำได้ โปรดระมัดระวังในการจัดการกับแบตเตอรี่ที่ร้อน
15. อย่าสัมผัสผิวของเครื่องมือทันทีหลังจากการใช้งาน เนื่องจากอาจมีความร้อนพอที่จะทำให้ผิวไหม้ได้
16. อย่าปล่อยให้เศษวัสดุ ผุ่นผง หรือดินเข้าไปติดอยู่ในตัว รู และร่องของตลับแบตเตอรี่ เนื่องจากอาจทำให้เครื่องมือหรือตลับแบตเตอรี่มีประสิทธิภาพลดลงหรือเสียหายได้
17. หากเครื่องมือไม่รองรับสายไฟแรงดันสูง อย่าใช้ตลับแบตเตอรี่ใกล้กับสายไฟแรงดันสูง เนื่องจากเครื่องมือหรือตลับแบตเตอรี่อาจทำงานผิดปกติหรือเสียหายได้
18. เก็บแบตเตอรี่ให้ห่างจากเด็ก

ปฏิบัติตามคำแนะนำเหล่านี้

⚠️ ข้อควรระวัง: ใช้แบตเตอรี่ของแท้จาก Makita เท่านั้น การใช้แบตเตอรี่ Makita ที่ไม่แท้ หรือแบตเตอรี่ที่ถูกเปลี่ยน อาจทำให้แบตเตอรี่ระเบิด ก่อให้เกิดเพลิงลุกไหม้ การบาดเจ็บ และความเสียหายได้ และจะทำให้การรับประกันของ Makita สำหรับเครื่องมือและแท่นชาร์จของ Makita เป็นโมฆะด้วย

เคล็ดลับในการรักษาอายุการใช้งานของแบตเตอรี่ให้ยาวนานที่สุด

1. ชาร์จตลับแบตเตอรี่ก่อนที่ไฟจะหมด หยุดการใช้งานแล้วชาร์จประจุไฟฟ้าใหม่ทุกครั้งเมื่อคุณรู้สึกว่าคุณปรารถนามีกำลังลดลง
2. อย่าชาร์จตลับแบตเตอรี่ที่มีไฟเต็มแล้ว การชาร์จประจุไฟฟ้ามากเกินไปอาจจะทำให้อายุการใช้งานของตลับแบตเตอรี่สั้นลง
3. ชาร์จประจุไฟฟ้าตลับแบตเตอรี่ในห้องที่มีอุณหภูมิระหว่าง 10 °C - 40 °C ปล่อยให้ตลับแบตเตอรี่เย็นลงก่อนที่จะชาร์จไฟ
4. เมื่อไม่ใช้ตลับแบตเตอรี่ ให้ถอดออกจากเครื่องมือหรือเครื่องชาร์จ

คำอธิบายชิ้นส่วนต่างๆ

► หมายเลข 1

1	ส่วนหัว	2	ปุ่มปรับองศา	3	ก้านลีด	4	น็อตมือหมุน
5	ด้ามจับด้านหน้า	6	ด้ามจับด้านหลัง	7	ตลับแบตเตอรี่	8	สวิตช์สั่งงาน
9	ปุ่มล็อก	10	ใบมีดตัด	-	-	-	-

คำอธิบายการทำงาน

⚠ ข้อควรระวัง: ตรวจสอบให้แน่ใจว่าได้ปิดสวิทช์เครื่องมือและถอดด้ามแบตเตอรี่ออกก่อนปรับตั้งหรือตรวจสอบการทำงานของเครื่องมือ

การใส่หรือการถอดด้ามแบตเตอรี่

⚠ ข้อควรระวัง: ปิดสวิทช์เครื่องมือก่อนทำการติดตั้งหรือการถอดด้ามแบตเตอรี่ทุกครั้ง

⚠ ข้อควรระวัง: ถือเครื่องมือและด้ามแบตเตอรี่ให้แน่นในระหว่างการติดตั้งหรือการถอดด้ามแบตเตอรี่ หากไม่ถือเครื่องมือและด้ามแบตเตอรี่ให้แน่น อาจทำให้ด้ามแบตเตอรี่และเครื่องมือสั่นหลุดมือ และทำให้เครื่องมือและด้ามแบตเตอรี่เสียหายหรือได้รับบาดเจ็บได้

▶ **หมายเลข 2:** 1. ชีลสีแดง 2. ปุ่ม 3. ด้ามแบตเตอรี่

เมื่อต้องการถอดด้ามแบตเตอรี่ ให้เลื่อนปุ่มที่ด้านหน้าของด้ามแล้วดึงออกจากเครื่องมือ

การติดตั้งด้ามแบตเตอรี่ ให้จัดตำแหน่งลิ้นของด้ามแบตเตอรี่ให้ตรงกับร่องของเครื่อง แล้วเลื่อนเข้าที่ ใส่ด้ามแบตเตอรี่เข้าจนสุดจนกระทั่งได้ยินเสียงคลิกกล็อคเข้าที่ หากยังเห็นชีลสีแดงตามที่แสดงในภาพ แสดงว่าด้ามแบตเตอรี่ยังไม่ล็อคเข้าที่

⚠ ข้อควรระวัง: ให้ดันด้ามแบตเตอรี่เข้าจนสุดจนไม่เห็นชีลสีแดงอีก ไม่เช่นนั้น ด้ามแบตเตอรี่อาจหลุดออกจากเครื่องมือทำให้คุณหรือคนรอบข้างได้รับบาดเจ็บ

⚠ ข้อควรระวัง: อย่าฝืนติดตั้งด้ามแบตเตอรี่โดยใช้แรงมากเกินไป หากด้ามแบตเตอรี่ไม่เลื่อนเข้าไปโดยง่าย แสดงว่าใส่ไม่ถูกต้อง

การระบุระดับพลังงานแบตเตอรี่ที่เหลืออยู่

สำหรับด้ามแบตเตอรี่ที่มีตัวแสดงสถานะเท่านั้น

▶ **หมายเลข 3:** 1. ไฟแสดงสถานะ 2. ปุ่มตรวจสอบ

กดปุ่ม ตรวจสอบ บนด้ามแบตเตอรี่เพื่อดูปริมาณแบตเตอรี่ที่เหลือ ไฟแสดงสถานะจะสว่างขึ้นเป็นเวลาสองสามวินาที

ไฟแสดงสถานะ		แบตเตอรี่ที่เหลือ
ไฟสว่าง	ดับ	
■ ■ ■ ■	□	75% ถึง 100%
■ ■ ■ □	□	50% ถึง 75%
■ ■ □ □	□ □	25% ถึง 50%
■ □ □ □	□ □ □ □	0% ถึง 25%

หมายเหตุ: ขึ้นอยู่กับสภาพการใช้งานและอุณหภูมิ โดยรอบ การแสดงสถานะอาจจะแตกต่างจากปริมาณแบตเตอรี่จริงเล็กน้อย

ระบบป้องกันเครื่องมือ/แบตเตอรี่

เครื่องมือมีระบบป้องกันเครื่องมือ/แบตเตอรี่ ระบบนี้จะตัดไฟที่ส่งไปยังมอเตอร์โดยอัตโนมัติเพื่อยืดอายุการใช้งานเครื่องมือและแบตเตอรี่ เครื่องมือจะหยุดทำงานระหว่างการใช้งานโดยอัตโนมัติ หากเครื่องมือหรือแบตเตอรี่อยู่ภายใต้สถานการณ์ต่อไปนี้

ทำงานหนักเกินไป:

ใช้งานเครื่องมือในลักษณะที่อาจใช้กระแสไฟฟ้าสูงผิดปกติ ในสถานการณ์เช่นนี้ ให้ปิดเครื่องมือและหยุดการใช้งานที่ทำให้เครื่องมือทำงานหนักเกินไป จากนั้นเปิดเครื่องมือเพื่อเริ่มการทำงานอีกครั้ง

หากเครื่องมือไม่เริ่มทำงาน แสดงว่าแบตเตอรี่ร้อนเกินไป ในกรณีนี้ ให้ปล่อยแบตเตอรี่ให้เย็นลงก่อนที่จะเปิดเครื่องมืออีกครั้ง

แรงดันไฟฟ้าแบตเตอรี่ต่ำ:

ความจุแบตเตอรี่ที่เหลืออยู่น้อยเกินไปและเครื่องมือจะไม่ทำงาน หากคุณเปิดใช้เครื่องมือ มอเตอร์จะเริ่มทำงานอีกครั้ง แต่อีกสักพักจะหยุดทำงาน ในกรณีนี้ ให้ถอดแบตเตอรี่ออกและชาร์จไฟใหม่

การทำงานของสวิตช์

คำเตือน: ก่อนใส่ตลับแบตเตอรี่ลงในเครื่องมือ ให้ตรวจสอบว่าสวิตช์สั่งงานสามารถทำงานได้อย่างถูกต้อง และกลับไปยังตำแหน่ง “ปิด” เมื่อปล่อย

คำเตือน: เพื่อความปลอดภัยของคุณ เครื่องมือนี้มีปุ่มปลดล๊อคติดตั้งมาด้วยซึ่งจะช่วยป้องกันไม่ให้เครื่องมือสตาร์ทโดยไม่ได้ตั้งใจ ห้ามใช้เครื่องมือหากเครื่องมือสามารถทำงานได้เมื่อคุณดึงสวิตช์สั่งงานโดยไม่ได้กดปุ่มปลดล๊อค สอบถามศูนย์บริการ Makita ในท้องถิ่นให้ทำการซ่อมแซมให้

คำเตือน: ห้ามปิดการทำงานแบบล๊อคหรือติดเทปทับปุ่มปลดล๊อค

ข้อสังเกต: อย่าดึงสวิตช์สั่งงานแรงๆ โดยไม่ได้กดปุ่มปลดล๊อค สวิตช์อาจแตกได้

► หมายเลข 4: 1. ปุ่มล๊อค 2. สวิตช์สั่งงาน

เพื่อป้องกันไม่ให้สวิตช์สั่งงานถูกกดโดยไม่ได้ตั้งใจมีปุ่มล๊อคติดตั้งไว้

เพื่อเริ่มใช้งานเครื่องมือ กดปุ่มปลดล๊อคแล้วดึงสวิตช์สั่งงาน ปล่อยสวิตช์สั่งงานเพื่อหยุดทำงาน ปุ่มปลดล๊อคสามารถกดจากทางขวาหรือซ้ายก็ได้

การปรับมุมการตัด

ข้อควรระวัง: ตรวจสอบให้แน่ใจว่าได้ปิดสวิตช์เครื่องมือก่อนพับหรือกางหัว

ข้อควรระวัง: เมื่อพับหัวเพื่อถือเครื่องมือหรือหลังจากใช้งานเครื่องมือ ให้ติดฝาครอบใบมีดก่อนพับหัว

ข้อควรระวัง: เมื่อพับหัว โปรดระวังอย่าบีบนิ้วระหว่างหัวกับตัวเครื่องมือ

มุมของหัวสามารถปรับได้ใน 10 ขั้นตอน การเปลี่ยนมุมหัว ให้ปฏิบัติตามขั้นตอนด้านล่างนี้

1. ถือหัวและตัวเครื่องมือตามที่แสดงในภาพ

► หมายเลข 5: 1. ส่วนหัว 2. ปุ่มปรับองศา

2. ปรับองศาหัวขณะกดปุ่มปรับองศา จากนั้นปล่อยปุ่มปรับองศา

3. ปรับหัวเล็กน้อยจนกระทั่งหัวล็อกด้วยเสียงคลิก

หมายเหตุ: ตรวจสอบให้แน่ใจว่าหัวเพลากลูกกลิ้งไว้อย่างปลอดภัยแล้วก่อนใช้งานเครื่องมือ

การปรับความยาวของท่อ

ข้อควรระวัง: ตรวจสอบให้แน่ใจว่าได้ปิดสวิตช์เครื่องมือก่อนปรับความยาวของท่อ

ข้อควรระวัง: เมื่อปรับความยาวของท่อ ตรวจสอบให้แน่ใจว่าติดตั้งฝาครอบใบเลื่อยก่อนปรับความยาวของท่อ

ข้อควรระวัง: เมื่อปรับความยาวของท่อ ให้ระวังฝาหนีบนิวมีอ

ข้อควรระวัง: ตรวจสอบให้แน่ใจว่าชิ้นก้านล๊อคแน่นหนาดีแล้ว

ข้อควรระวัง: เมื่อทำการปรับความยาวของท่อ ให้วางเครื่องมือตะแคงไว้ หากคุณจับเครื่องมือตั้งตรง ส่วนหัวจะตกลงมาโดยทันที ซึ่งอาจทำให้บาดเจ็บได้

คลายก้านล๊อค จากนั้นปรับความยาวของท่อ แล้วล็อกก้านล๊อค

► หมายเลข 6: 1. ก้านล๊อค

การปรับตำแหน่งด้ามจับด้านหน้า

ข้อควรระวัง: ตรวจสอบให้แน่ใจว่าได้ปิดสวิตช์เครื่องมือก่อนปรับตำแหน่งของด้ามจับด้านหน้า

ข้อควรระวัง: เมื่อปรับตำแหน่งของด้ามจับด้านหน้า ให้ระวังฝาหนีบนิวมีอ

ข้อควรระวัง: ตรวจสอบให้แน่ใจว่าชิ้นน็อตมือหมุนแน่นหนาดีแล้ว

ข้อควรระวัง: อย่าขยับด้ามจับด้านหน้าเกินกว่าเครื่องหมายลูกศร

เมื่อต้องการปรับตำแหน่งของด้ามจับด้านหน้า ให้คลายน็อตมือหมุนทวนเข็มนาฬิกา แล้วปรับตำแหน่งของด้ามจับด้านหน้า จากนั้นขันน็อตมือหมุนให้แน่นโดยหมุนตามเข็มนาฬิกา

► หมายเลข 7: 1. น็อตมือหมุน 2. เครื่องหมายลูกศร

การประกอบ

⚠ ข้อควรระวัง: ตรวจสอบให้แน่ใจว่าได้ปิดสวิทช์เครื่องมือและถอดถลับแบตเตอรี่ออกก่อนดำเนินการใดๆ กับเครื่องมือ

⚠ ข้อควรระวัง: เมื่อเปลี่ยนใบเลื่อยตัด ให้สวมถุงมือเสมอเพื่อไม่ให้มือสัมผัสกับใบเลื่อยโดยตรง

การติดตั้งหรือการถอดใบเลื่อยตัด

⚠ ข้อควรระวัง: ติดตั้งฝาครอบใบเลื่อยก่อนถอดหรือติดตั้งใบมีดตัด

ข้อสังเกต: เมื่อเปลี่ยนใบมีดตัด อย่าเช็ดจาระบีออกจากเฟืองและข้อเหวี่ยง

หมายเหตุ: ก่อนติดตั้งหรือถอดใบมีดตัด ให้พับหัวของเครื่องมือเพื่อให้หัวอยู่ในแนวตรงกับตัวเครื่องมือ

1. หายเครื่องมือชิ้น
2. ถอดสกรู 4 ตัวด้วยไขควง จากนั้นถอดใบเลื่อยตัดออก
▶ **หมายเลข 8:** 1. สกรู
3. ถอดข้อเหวี่ยงออกจากใบมีดตัด
▶ **หมายเลข 9:** 1. ข้อเหวี่ยง

หมายเหตุ: ข้อเหวี่ยงอาจอยู่ในเครื่องมือ

4. เตรียมข้อเหวี่ยงและใบมีดตัดใหม่
▶ **หมายเลข 10:** 1. ข้อเหวี่ยง 2. ใบมีดตัด
5. ถอดฝาครอบใบมีดออก จากนั้นใส่เข้ากับใบมีดตัดอันใหม่
6. ทาจาระบีเล็กน้อยที่เส้นรอบวงภายในของข้อเหวี่ยง ใส่แหวนรองเฟือง และข้อเหวี่ยงลงบนสลักตามลำดับ
▶ **หมายเลข 11:** 1. ข้อเหวี่ยง 2. เฟือง 3. แหวนรอง 4. สลัก
7. ปรับข้อเหวี่ยงให้จูเล็ก 2 รุนข้อเหวี่ยงตรงกับเส้นจัดแนวตามที่ได้แสดงในภาพ
▶ **หมายเลข 12:** 1. เส้นจัดแนว 2. รูนขนาดเล็ก
8. เลื่อนใบมีดตัดโดยให้รูนบนแผ่นนำทางอยู่ที่จุดกึ่งกลางของวงแหวนของใบเลื่อย
▶ **หมายเลข 13:** 1. แผ่นนำทาง
9. ใส่สกรูที่ถอดออกในขั้นตอนที่ 2 เข้าไปในรูนใบเลื่อยตัดผ่านรูนบนฝาครอบใบมีด
▶ **หมายเลข 14:** 1. รู

10. ใส่ใบเลื่อยตัดเข้ากับเครื่องมือ จากนั้นขันสกรู 3 ตัวด้วยไขควง

▶ **หมายเลข 15:** 1. สกรู

11. ถอดสกรูที่สอดเข้าไปในรูนบนใบเลื่อยตัดในขั้นตอนที่ 9 จากนั้นขันเพื่อยึดใบเลื่อยตัด

ข้อสังเกต: หากใบมีดตัดมีการทำงานที่ไม่ถูกต้อง แสดงว่าใบมีดไม่ได้ติดอยู่กับข้อเหวี่ยงอย่างถูกต้อง ถอดใบมีดและติดตั้งใหม่อีกครั้ง

ข้อสังเกต: หากชิ้นส่วนอื่นๆ นอกจากใบเลื่อยตัด เช่น ข้อเหวี่ยงชำรุด ให้สอบถามศูนย์บริการของ Makita เพื่อรับการเปลี่ยนหรือซ่อมแซม

การติดตั้งหรือการถอดที่รับเศษใบไม้

อุปกรณ์เสริม

⚠ ข้อควรระวัง: เมื่อติดตั้งหรือถอดที่รับเศษใบไม้ ให้สวมถุงมือเสมอ เพื่อไม่ให้มือสัมผัสกับใบเลื่อยตัดโดยตรง

⚠ ข้อควรระวัง: ติดตั้งฝาครอบใบเลื่อยก่อนติดตั้งหรือถอดที่รับเศษใบไม้

ที่รับเศษใบไม้จะเก็บใบไม้ที่ถูกทิ้งออกมาและทำให้การเก็บกวาดในภายหลังทำได้ง่ายขึ้น ซึ่งสามารถติดตั้งไว้ที่ด้านใดด้านหนึ่งของเครื่องมือ

1. จัดให้รูนบนที่รับเศษใบไม้ตรงกับน็อตบนใบเลื่อยตัด
▶ **หมายเลข 16:** 1. น็อต
 2. เกี่ยวเช็ยของที่รับเศษใบไม้เข้ากับร่องบนใบเลื่อยตัด
▶ **หมายเลข 17:** 1. เช็ย 2. ร่อง
 3. กดก้านบนที่รับเศษใบไม้ จากนั้นจึงเกี่ยวเช็ยอีกด้านหนึ่งเข้ากับร่องบนใบเลื่อยตัด
▶ **หมายเลข 18:** 1. ก้าน
- หากต้องการถอดที่รับเศษใบไม้ออก ให้กดก้านเพื่อปล่อยเช็ย
- ▶ **หมายเลข 19:** 1. ก้าน

ข้อสังเกต: ห้ามพยายามถอดที่รับเศษใบไม้ด้วยเครื่องมือใช้แรงมากเกินไปด้วยวิธีช่วยลึงค้อยู่กับร่องของใบเลื่อยตัด

การใช้งาน

การใช้งานเครื่องมือ

คำเตือน: อย่าใช้เครื่องมือใกล้กับสายไฟฟ้า การสัมผัสสายไฟฟ้าหรือการใช้งานเครื่องมือใกล้กับสายไฟฟ้าอาจทำให้ได้รับบาดเจ็บสาหัสหรือไฟฟ้าช็อตจนถึงแก่ชีวิตได้

คำเตือน: ระวังอย่าให้มืออยู่ใกล้กับใบเลื่อยตัด

คำเตือน: โปรดระมัดระวังอย่างมากในการรักษาความปลอดภัยของเครื่องมือตลอดเวลา อย่าให้เครื่องมือเบนเข้าหาตัวหรือคนอื่นในบริเวณที่ทำงาน การไม่สามารถควบคุมเครื่องมือได้จะก่อให้เกิดการบาดเจ็บร้ายแรงต่อผู้ที่อยู่ข้างเคียงและผู้ปฏิบัติงาน

ข้อควรระวัง: หลีกเลี่ยงการใช้งานเครื่องมือในสภาพอากาศที่ร้อนจัดเท่าที่สามารถทำได้ ขณะใช้งานเครื่องมือ ให้ระวังสภาพทางกายภาพ

ข้อควรระวัง: ระวังอย่าสัมผัสกับรั้วโลหะหรือของแข็งอื่นๆ โดยไม่ได้ตั้งใจขณะทำการตัดแต่ง ใบเลื่อยตัดอาจหักและทำให้ได้รับบาดเจ็บได้

ข้อควรระวัง: ระวังอย่าให้ใบมีดตัดสัมผัสกับพื้น เครื่องมืออาจถอยกลับและอาจทำให้เกิดการบาดเจ็บได้

ข้อควรระวัง: การเอื้อมตัดด้วยเครื่องตัดแต่งพุ่มไม้ โดยเฉพาะการเอื้อมจากบันไดถือเป็นกรกระทำที่อันตรายมาก อย่าทำงานขณะยืนอยู่บนสิ่งที่โยกเยกไปมาได้หรือไม่มั่นคง

ข้อสังเกต: อย่าพยายามตัดกิ่งไม้ที่มีความหนาของเส้นผ่านศูนย์กลางมากกว่า 10 mm โดยใช้เครื่องมือนี้ ตัดกิ่งไม้ให้มีความสูงในการตัดต่ำกว่า 10 cm โดยใช้หัวตัดกิ่งไม้ก่อนใช้เครื่องมือนี้

▶ **หมายเลข 20:** (1) ความสูงในการตัด (2) 10 cm

ข้อสังเกต: อย่าตัดต้นไม้ที่ตายแล้วหรือของแข็งอื่นๆ ที่คล้ายกัน การทำเช่นนั้นอาจทำให้เครื่องมือเสียหายได้

ข้อสังเกต: อย่าตัดแต่งหญ้าหรือวัชพืชขณะใช้ใบเลื่อยตัด เนื่องจากใบเลื่อยตัดอาจพันกับหญ้าหรือวัชพืชได้

จับเครื่องมือด้วยมือทั้งสองข้างโดยจับตามจับด้านหน้าและตามจับด้านหลัง

▶ **หมายเลข 21:** 1. ตามจับด้านหน้า 2. ตามจับด้านหลัง

ดึงสวิตช์สั่งงานขณะกดปุ่มปลดล๊อค จากนั้นจึงขยับเครื่องมือไปข้างหน้า

▶ **หมายเลข 22**

วิธีการใช้งานพื้นฐาน ให้เอียงใบเลื่อยตัดตามทิศทาง การตัดแต่งและขยับเครื่องมืออย่างหนึ่ง และซ้ำๆ ด้วยอัตราความเร็ว 3 ถึง 4 วินาทีต่อเมตร

▶ **หมายเลข 23**

หากต้องการตัดด้านข้างของพุ่มไม้ให้เสมอกัน ควรตัดจากส่วนล่างขึ้นบน

▶ **หมายเลข 24**

ขณะตัดแต่งเพื่อทำให้เป็นทรงกลม (การตัดแต่งต้นบ็อกซ์วูดหรือกุหลาบพันธุ์และอื่นๆ) ให้ตัดจากรากขึ้นไปถึงยอดจะทำให้ดูสวยงาม

▶ **หมายเลข 25**

หากติดตั้งที่รับเศษใบไม้เข้ากับใบเลื่อยตัด ที่รับเศษใบไม้จะช่วยเก็บใบไม้ที่ถูกทิ้งออกมาและทำให้การเก็บกวาดในภายหลังทำได้ง่ายขึ้น

▶ **หมายเลข 26**

การบำรุงรักษา

ข้อควรระวัง: ตรวจสอบให้แน่ใจว่าได้ปิดสวิตช์เครื่องมือและถอดด้ามแบตเตอรี่ออกก่อนทำการตรวจสอบหรือบำรุงรักษา

ข้อควรระวัง: ขณะทำการตรวจสอบหรือบำรุงรักษาเครื่องมือ ให้อาบน้ำล้างมือก่อนเสมอ การประกอบหรือปรับเครื่องมือในตำแหน่งตั้งขึ้นอาจทำให้ได้รับบาดเจ็บสาหัสได้

เพื่อความปลอดภัยและนำเชื้อถือของผลิตภัณฑ์ ควรให้ศูนย์บริการหรือโรงงานที่ผ่านการรับรองจาก Makita เป็นผู้ดำเนินการซ่อมแซม บำรุงรักษาและทำการปรับตั้งอื่นๆ นอกจากนี้ให้ใช้อะไหล่ของแท้จาก Makita เสมอ

การทำความสะอาดเครื่องมือ

ทำความสะอาดเครื่องมือโดยเช็ดฝุ่นออกด้วยผ้าแห้งหรือผ้าชุบน้ำสบู่ปิดหมาด

ข้อสังเกต: อย่าใช้น้ำมันเชื้อเพลิง เบนซิน ทินเนอร์ แอลกอฮอล์ หรือวัสดุประเภทเดียวกัน เนื่องจากอาจทำให้สีซีดจาง เสียรูป หรือแตกร้าวได้

การบำรุงรักษาใบเลื่อยตัด

ก่อนการใช้งานหรือทุกชั่วโมงในระหว่างการใช้งาน ให้ทาน้ำมันความหนืดต่ำ (น้ำมันเครื่องหรือน้ำมันหล่อลื่นแบบสเปรย์) ที่ใบเลื่อยตัด

▶ หมายเลข 27

หลังการใช้งาน ให้ขจัดฝุ่นออกจากใบเลื่อยตัดทั้งสองด้านด้วยแปรงลวด เช็ดออกด้วยผ้าแล้วทาน้ำมันความหนืดต่ำ (น้ำมันเครื่องหรือน้ำมันหล่อลื่นแบบสเปรย์) ที่ใบเลื่อยตัด

▶ หมายเลข 28

ข้อสังเกต: อย่าล้างใบเลื่อยตัดในน้ำ การทำเช่นนั้นอาจทำให้เครื่องมือเกิดสนิมหรือเสียหายได้

ข้อสังเกต: สิ่งสกปรกและการสึกกร่อนจะทำให้ใบเลื่อยมีแรงเสียดทานมากเกินไปและทำให้อายุการใช้งานต่อการชาร์จแบตเตอรี่แต่ละครั้งสั้นลง

การเก็บรักษา

ติดฝาครอบเข้ากับมีดตัดเพื่อให้ใบเลื่อยมีสิ่งห่อหุ้ม เก็บเครื่องมือโดยให้ห่างจากมือเด็ก เก็บเครื่องมือในที่ที่ไม่ถูกความชื้นหรือฝน

การแก้ไขปัญหา

ก่อนนำไปซ่อม ให้ทำการตรวจสอบด้วยตัวเองก่อน หากพบปัญหาที่ไม่มีอธิบายในคู่มือการใช้งาน อย่าพยายามถอดแยกเครื่องมือ แต่ให้นำไปซ่อมที่ศูนย์บริการหรือโรงงานที่ผ่านการรับรองจาก Makita และใช้ชิ้นส่วนอะไหล่ของ Makita

สภาวะความผิดปกติ	สาเหตุที่เป็นไปได้ (การทำงานผิดปกติ)	การแก้ไข
มอเตอร์ไม่ทำงาน	ไม่ได้ติดตั้งถลับแบตเตอรี่	ติดตั้งถลับแบตเตอรี่
	ปัญหาแบตเตอรี่ (ไฟต่ำ)	ชาร์จแบตเตอรี่ใหม่ หากการชาร์จแบตเตอรี่ใหม่ไม่ได้ผล ให้เปลี่ยนแบตเตอรี่
	ระบบขับเคลื่อนไม่ทำงานอย่างถูกต้อง	สอบถามศูนย์บริการที่ผ่านการรับรองจาก Makita ในท้องถิ่นให้ทำการซ่อมแซมให้
มอเตอร์หยุดทำงานหลังจากใช้งานไปสักครู่ หรือมอเตอร์ไม่ทำงาน	ระดับการชาร์จของแบตเตอรี่ต่ำ	ชาร์จแบตเตอรี่ใหม่ หากการชาร์จแบตเตอรี่ใหม่ไม่ได้ผล ให้เปลี่ยนแบตเตอรี่
	ความร้อนสูงเกิน	หยุดใช้งานเครื่องมือเพื่อให้เครื่องมือเย็นลง
เครื่องมือหมุนด้วยรอบความเร็วสูงสุดไม่ได้	แบตเตอรี่ติดตั้งอย่างไม่ถูกต้อง	ติดตั้งถลับแบตเตอรี่ตามที่อธิบายในคู่มือการใช้งานนี้
	กำลังของแบตเตอรี่ต่ำลง	ชาร์จแบตเตอรี่ใหม่ หากการชาร์จแบตเตอรี่ใหม่ไม่ได้ผล ให้เปลี่ยนแบตเตอรี่
	ระบบขับเคลื่อนไม่ทำงานอย่างถูกต้อง	สอบถามศูนย์บริการที่ผ่านการรับรองจาก Makita ในท้องถิ่นให้ทำการซ่อมแซมให้
ไม่มีตัดไม้ขยับ: ⇒ หยุดเครื่องมือทันที!	มุมที่ไม่เหมาะสมของใบมีดตัด	ตรวจสอบให้แน่ใจว่ายืดหัวไว้อย่างถูกต้องในมุมทำงาน
	สิ่งแปลกปลอมติดอยู่ระหว่างใบมีดตัด	ปิดสวิตช์เครื่องมือและถอดถลับแบตเตอรี่ออก จากนั้นนำสิ่งแปลกปลอมออกโดยใช้เครื่องมือ เช่น คีม
	ระบบขับเคลื่อนไม่ทำงานอย่างถูกต้อง	สอบถามศูนย์บริการที่ผ่านการรับรองจาก Makita ในท้องถิ่นให้ทำการซ่อมแซมให้
การสั่นสะเทือนผิดปกติ ⇒ หยุดเครื่องมือทันที!	ใบมีดตัดหัก งอ หรือสึกหรอ	เปลี่ยนใบมีดตัด
	ระบบขับเคลื่อนไม่ทำงานอย่างถูกต้อง	สอบถามศูนย์บริการที่ผ่านการรับรองจาก Makita ในท้องถิ่นให้ทำการซ่อมแซมให้
หยุดใบมีดตัดและมอเตอร์ไม่ได้ ⇒ ถอดแบตเตอรี่ทันที!	การทำงานผิดปกติด้านไฟฟ้า	ถอดแบตเตอรี่และสอบถามศูนย์บริการที่ผ่านการรับรองจาก Makita ในท้องถิ่นให้ทำการซ่อมแซมให้

อุปกรณ์เสริม

⚠ ข้อควรระวัง: ขอแนะนำให้ใช้เฉพาะอุปกรณ์เสริมหรืออุปกรณ์ต่อพ่วงเหล่านี้กับเครื่องมือ Makita ที่ระบุในคู่มือการใช้อุปกรณ์เสริมหรืออุปกรณ์ต่อพ่วงอื่นๆ อาจมีความเสี่ยงที่จะได้รับบาดเจ็บ ใช้อุปกรณ์เสริมหรืออุปกรณ์ต่อพ่วงตามวัตถุประสงค์ที่ระบุไว้เท่านั้น

หากต้องการทราบรายละเอียดเพิ่มเติมเกี่ยวกับอุปกรณ์เสริมเหล่านี้ โปรดสอบถามศูนย์บริการ Makita ใกล้บ้านคุณ

- ชุดใบเลื่อย
- ที่รับเศษใบไม้
- หลอดจารบี
- แบตเตอรี่และเครื่องชาร์จ Makita ของแท้

หมายเหตุ: อุปกรณ์บางรายการอาจจะรวมอยู่ในชุดเครื่องมือเป็นอุปกรณ์มาตรฐาน ซึ่งอาจแตกต่างกันไปในแต่ละประเทศ

Makita Corporation
3-11-8, Sumiyoshi-cho,
Anjo, Aichi 446-8502 Japan
www.makita.com

885883-374
EN, ZHCN, ID, MS,
VI, TH
20210225