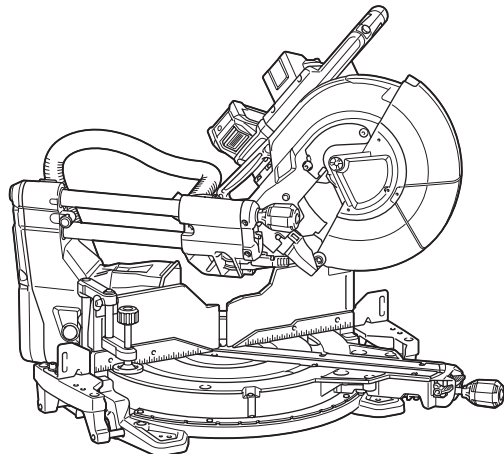
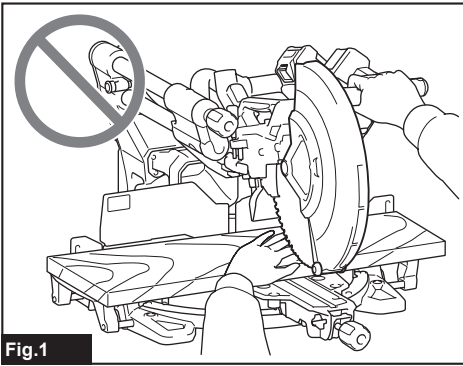




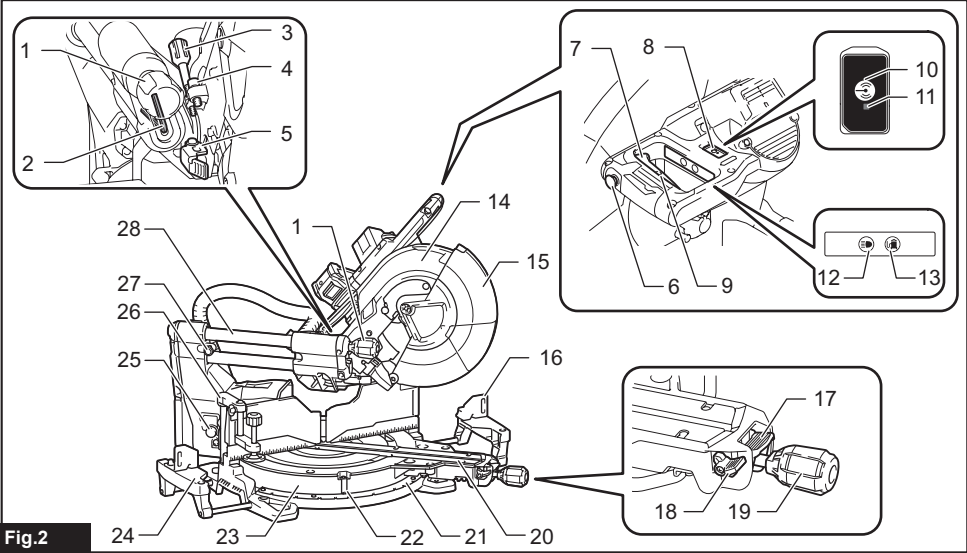
<b>EN</b>	<b>Cordless Slide Compound Miter Saw</b>	<b>INSTRUCTION MANUAL</b>	<b>19</b>
<b>ZHCN</b>	<b>充电式斜断机 (滑动复合式)</b>	<b>使用说明书</b>	<b>44</b>
<b>ID</b>	<b>Gergaji Adu Manis (Miter) Kombinasi Geser Nirkabel</b>	<b>PETUNJUK PENGGUNAAN</b>	<b>70</b>
<b>MS</b>	<b>Gergaji Miter Majmuk Gelangsar Tanpa Kord</b>	<b>MANUAL ARAHAN</b>	<b>100</b>
<b>VI</b>	<b>Máy Cưa Đa Góc Đễ Bàn Hoạt Động Bằng Pin</b>	<b>TÀI LIỆU HƯỚNG DẪN</b>	<b>129</b>
<b>TH</b>	<b>แท่นเลื่อยตัดองศาไร้สาย</b>	<b>คู่มือการใช้งาน</b>	<b>155</b>

**LS003G**

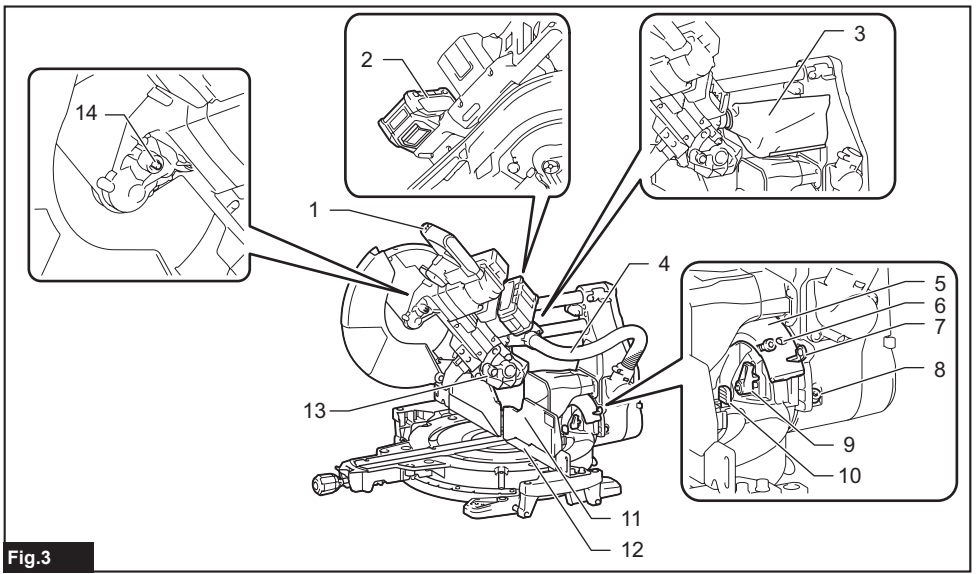




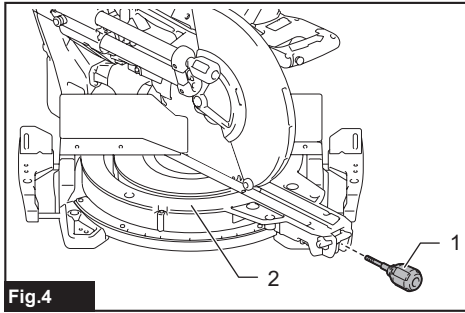
**Fig.1**



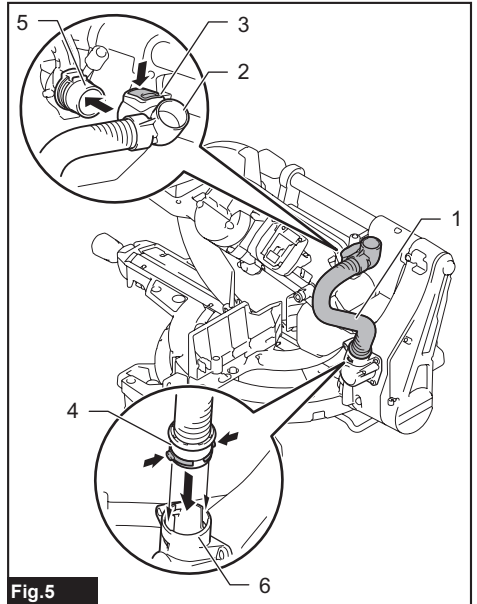
**Fig.2**



**Fig.3**



**Fig.4**



**Fig.5**

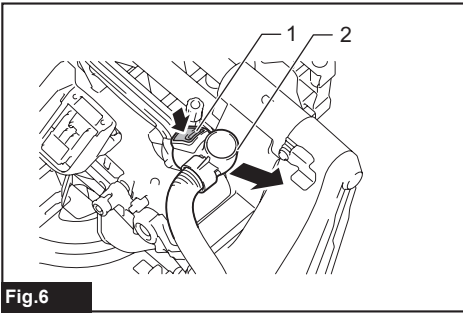


Fig.6

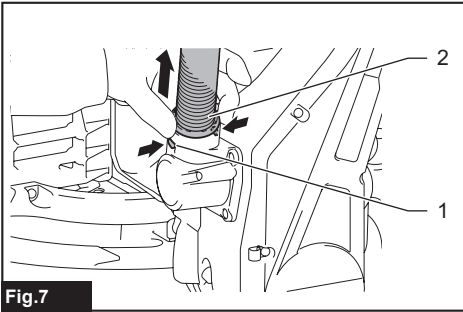


Fig.7

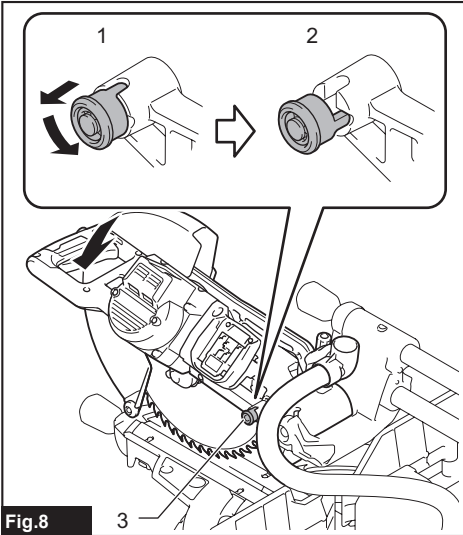


Fig.8

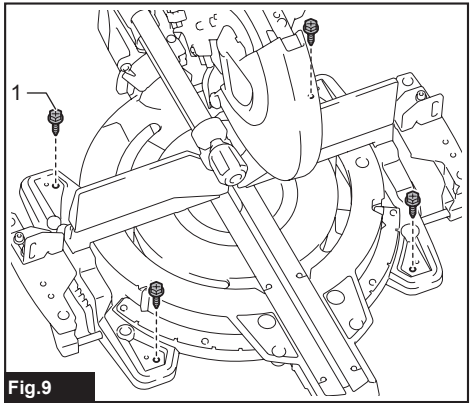


Fig.9

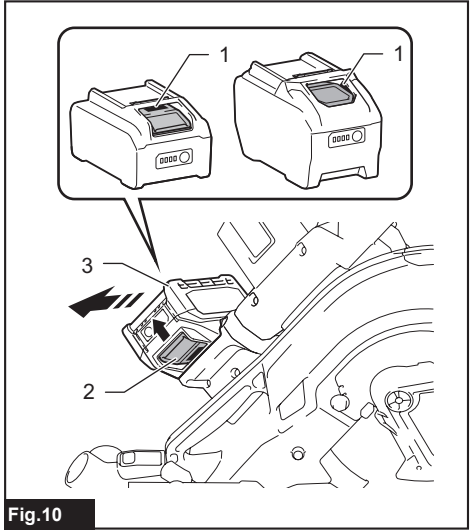


Fig.10

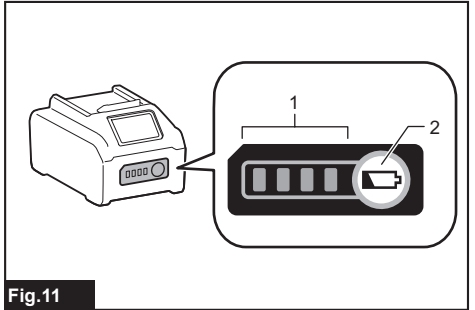
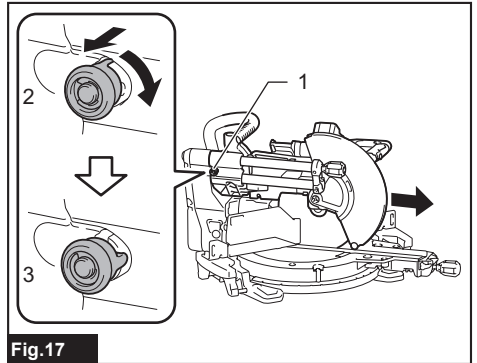
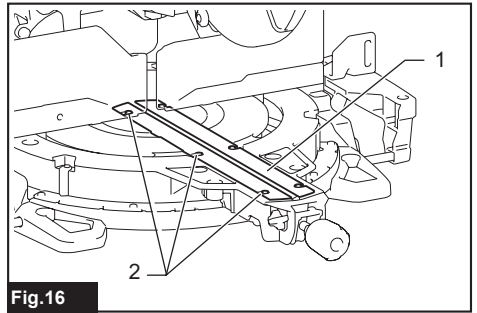
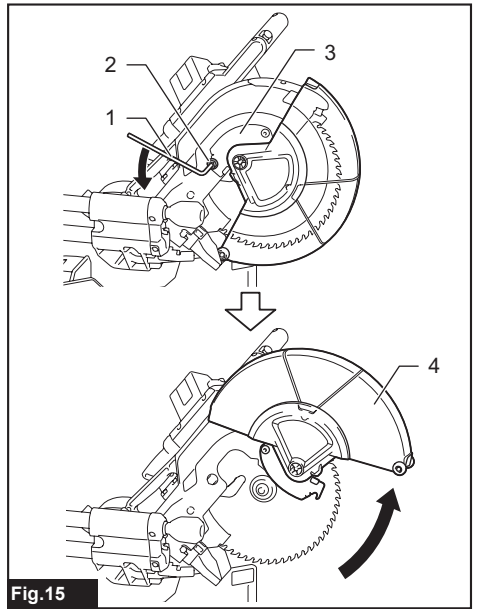
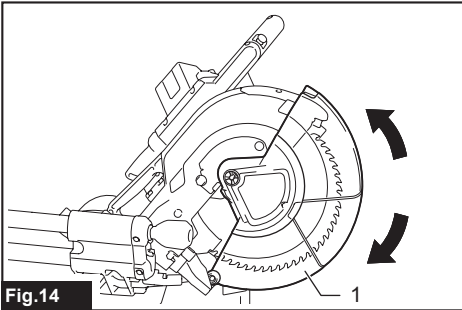
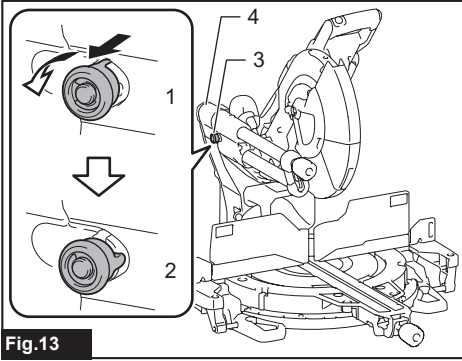
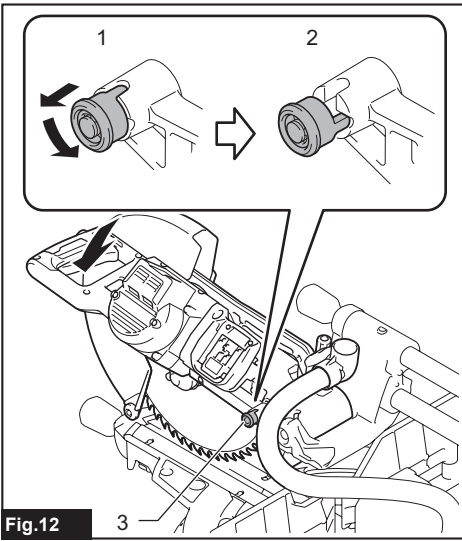


Fig.11





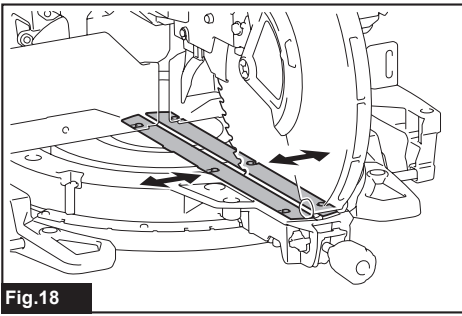


Fig.18

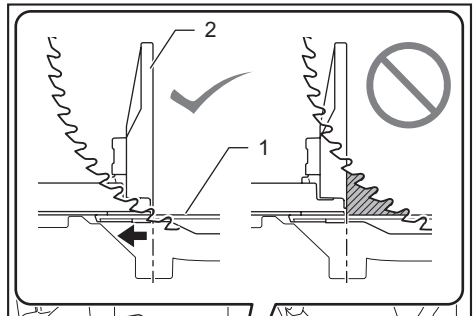


Fig.22

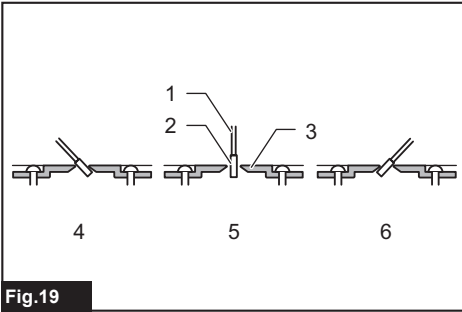


Fig.19

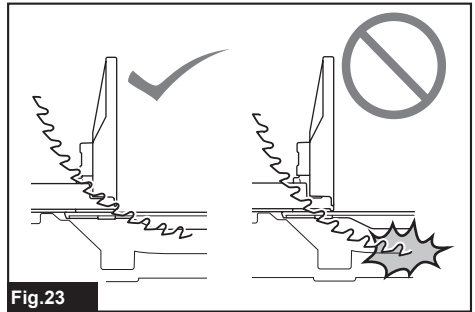
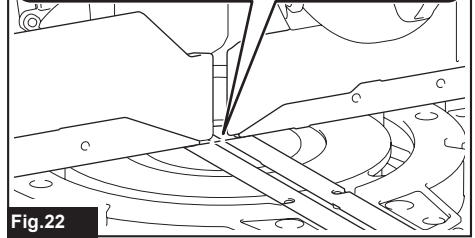


Fig.23

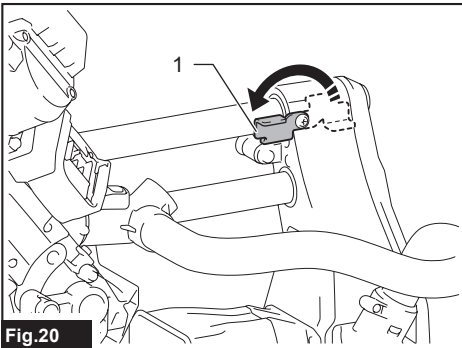


Fig.20

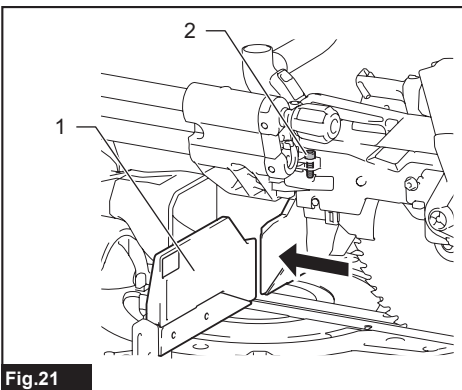


Fig.21

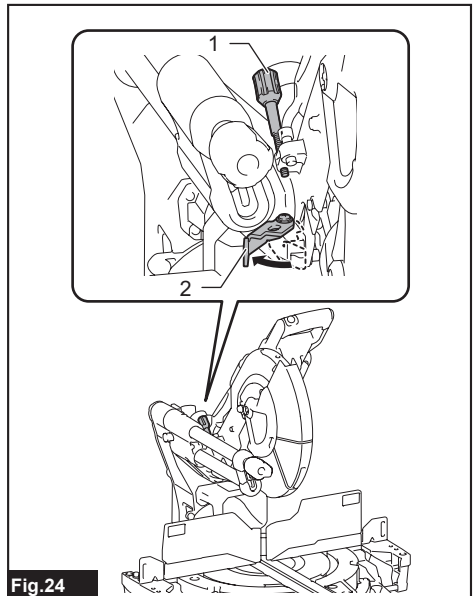


Fig.24

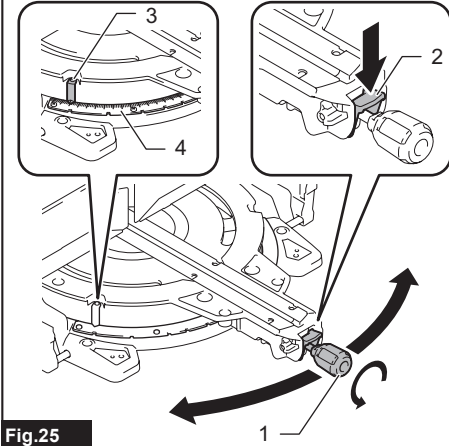


Fig. 25

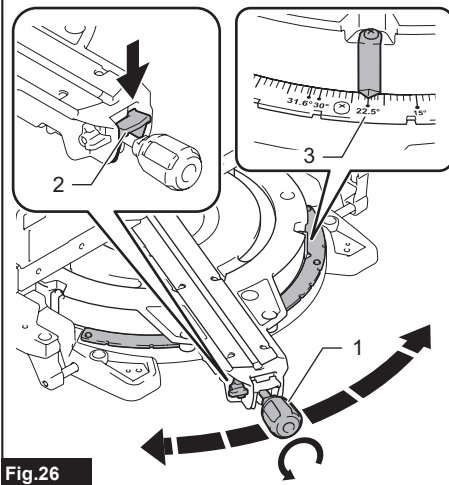


Fig. 26

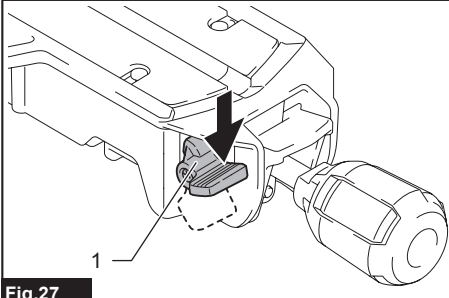


Fig. 27

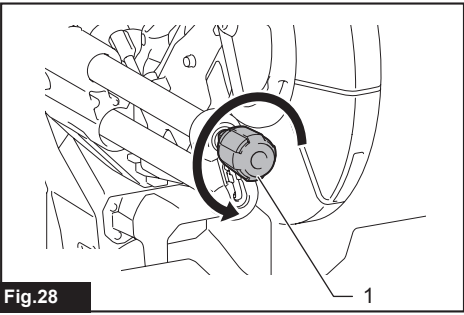


Fig. 28

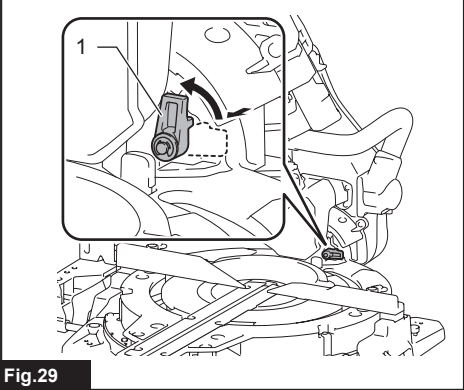


Fig. 29

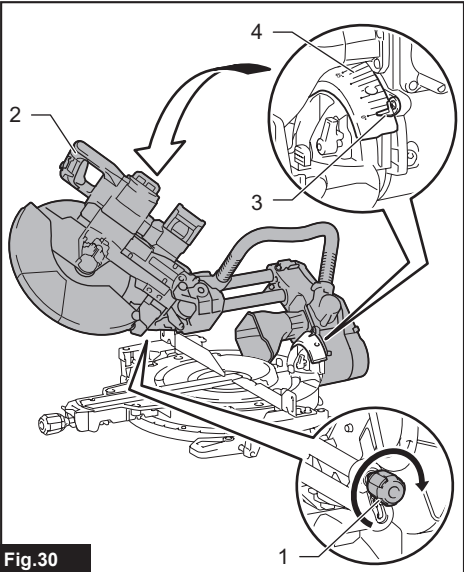
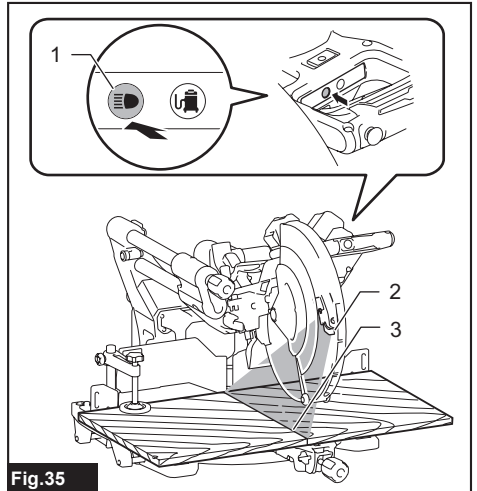
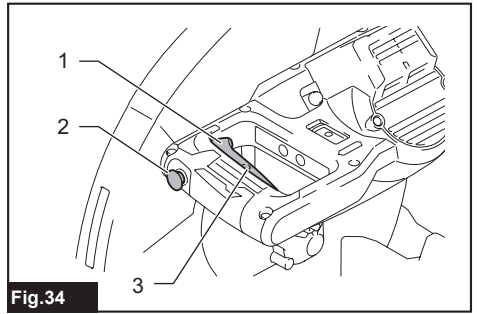
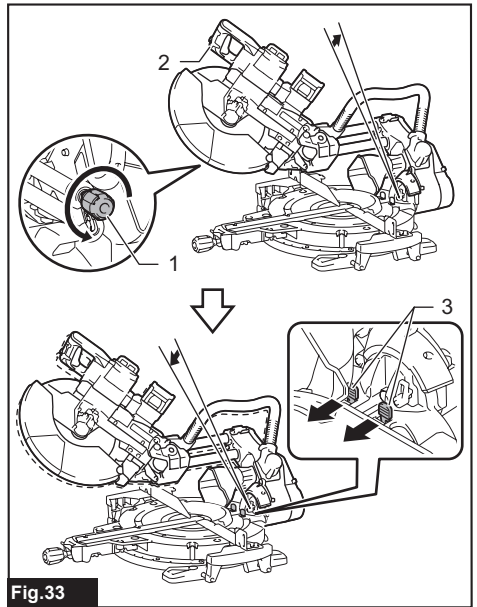
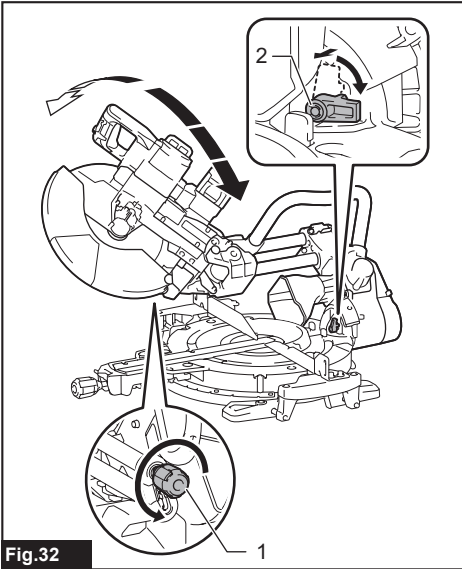
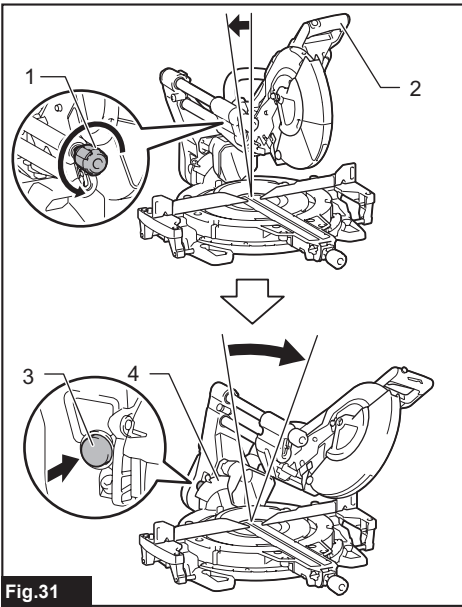


Fig. 30



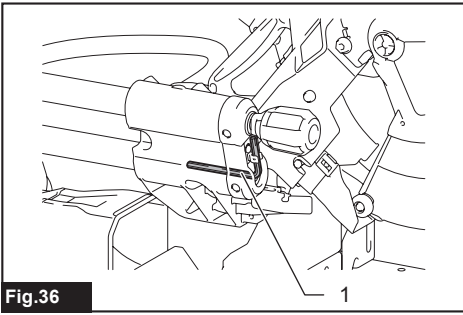


Fig.36

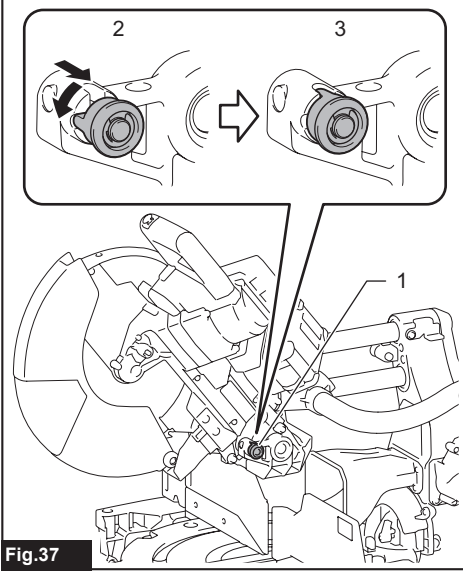


Fig.37

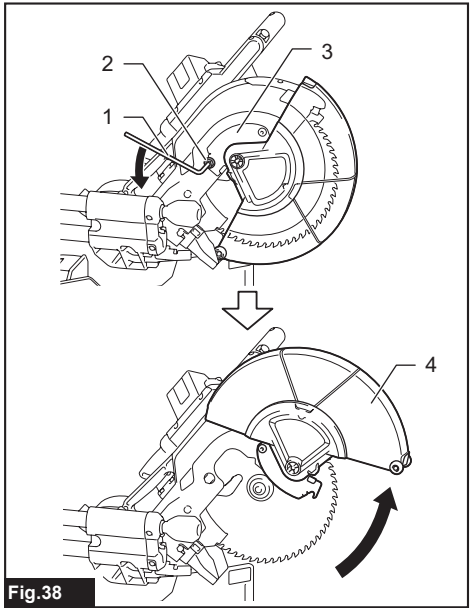


Fig.38

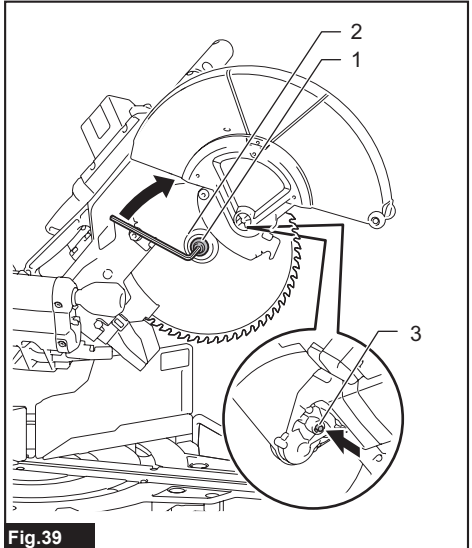
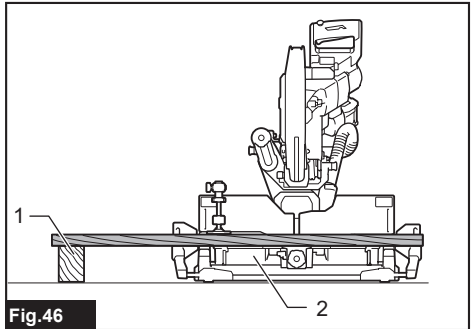
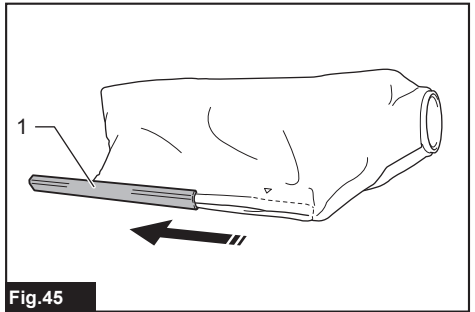
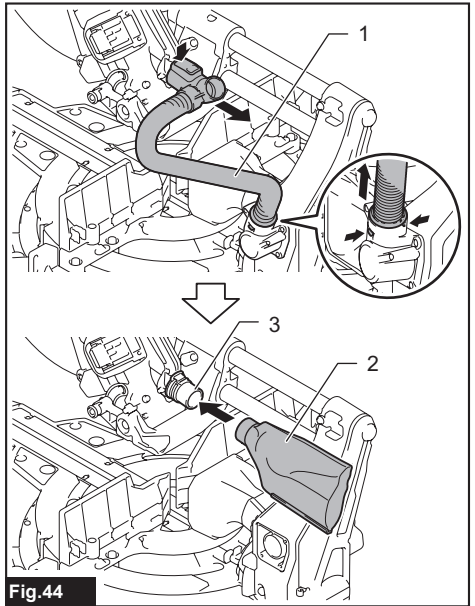
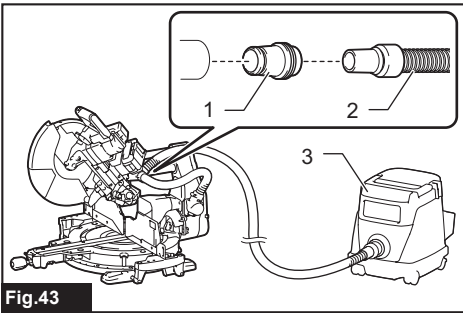
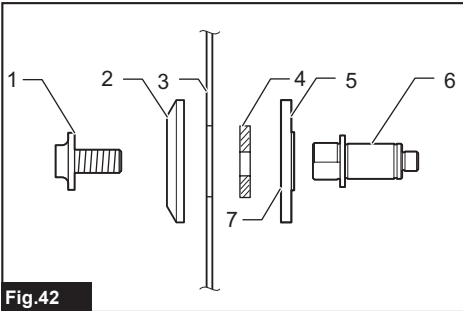
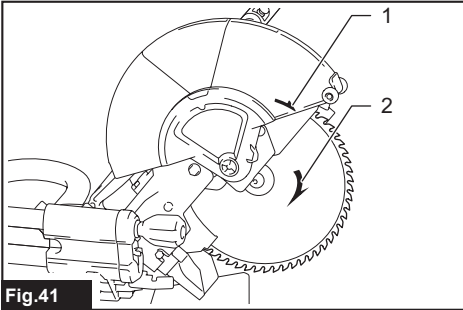
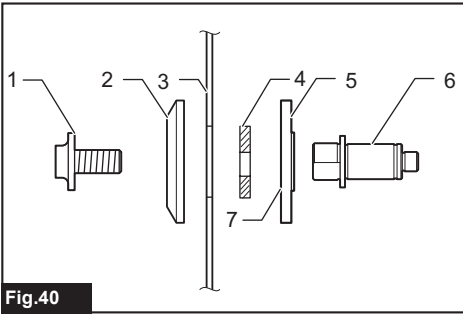


Fig.39



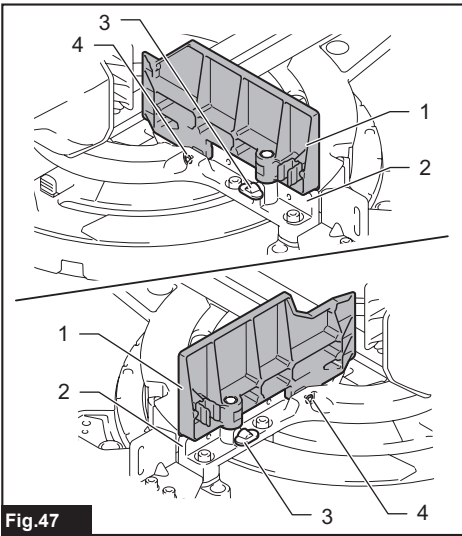


Fig.47

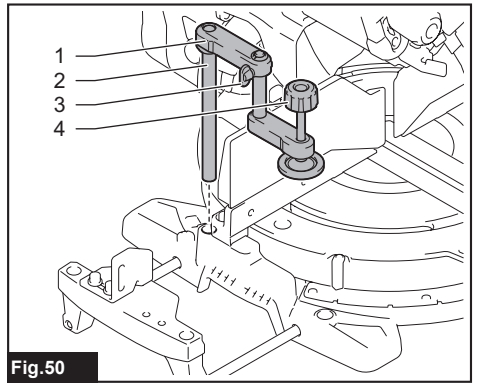


Fig.50

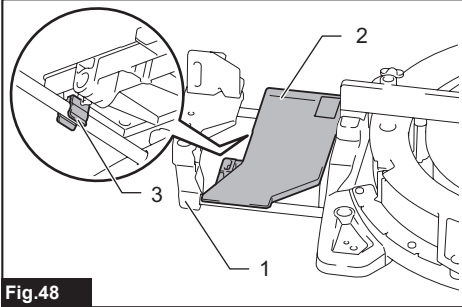


Fig.48

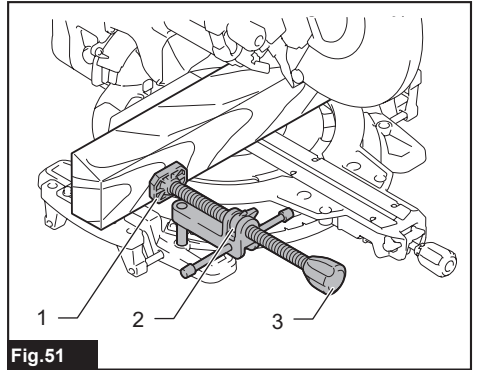


Fig.51

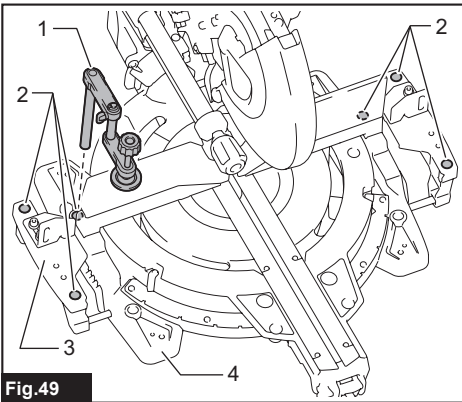


Fig.49

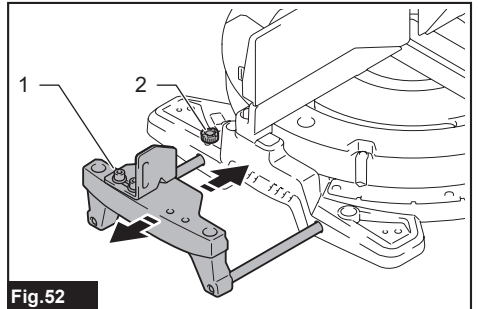


Fig.52

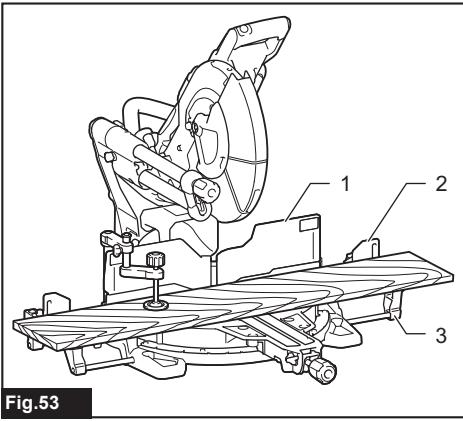


Fig. 53

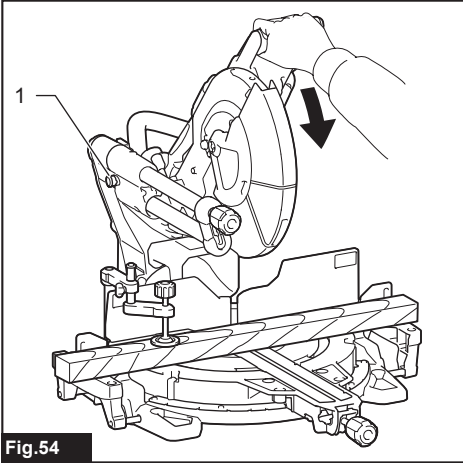


Fig. 54

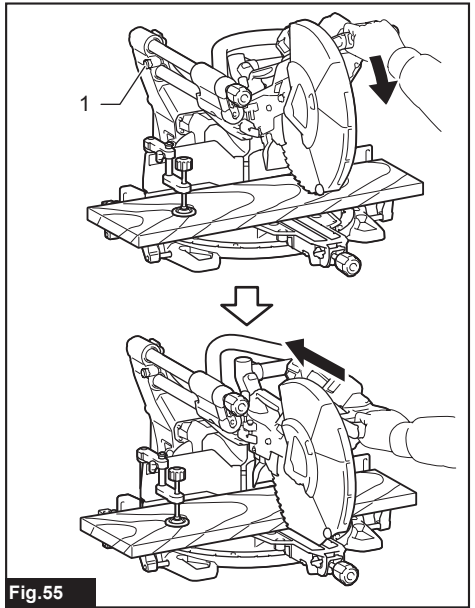


Fig. 55

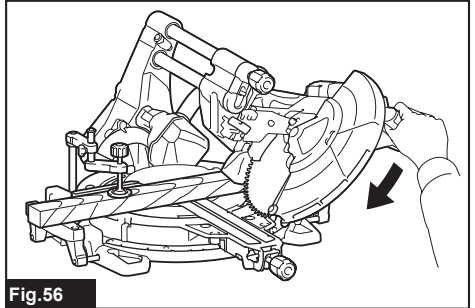


Fig. 56



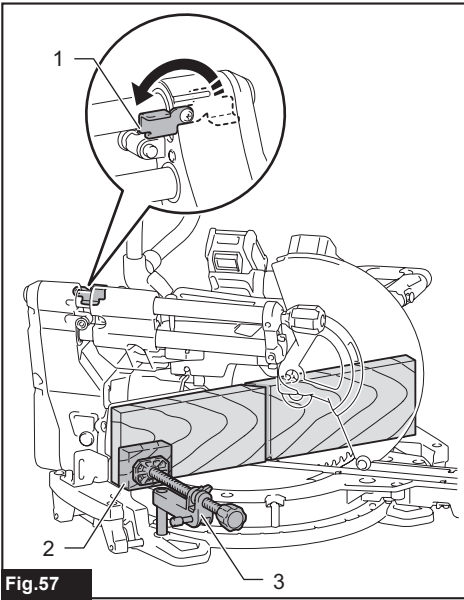


Fig.57

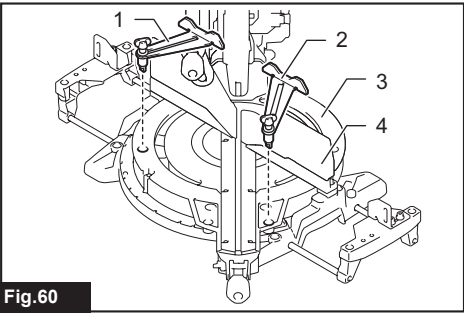


Fig.60

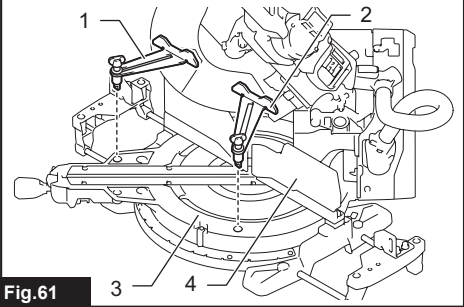


Fig.61

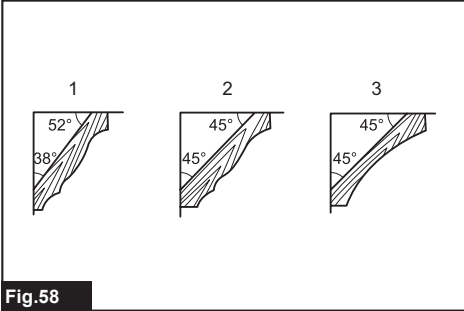


Fig.58

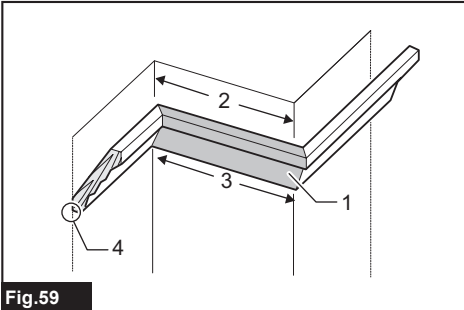


Fig.59

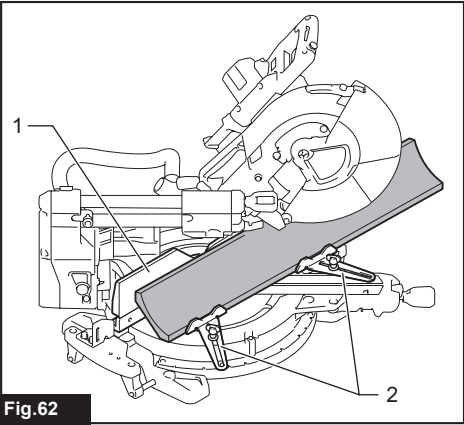


Fig.62

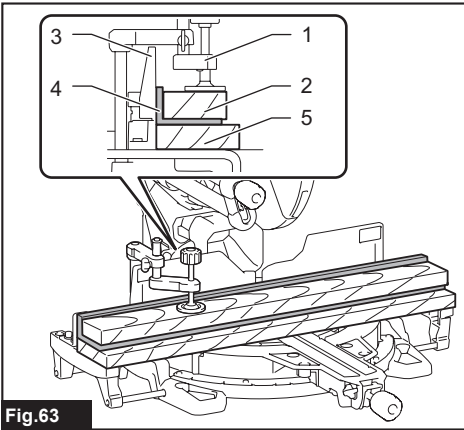


Fig.63

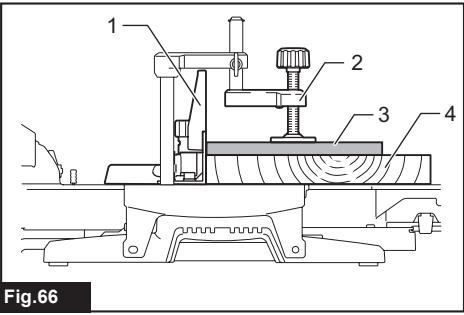


Fig.66

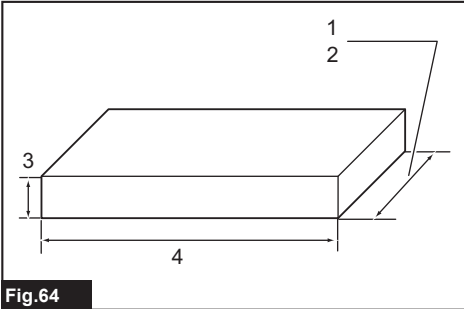


Fig.64

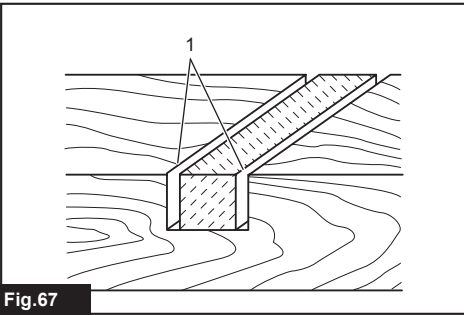


Fig.67

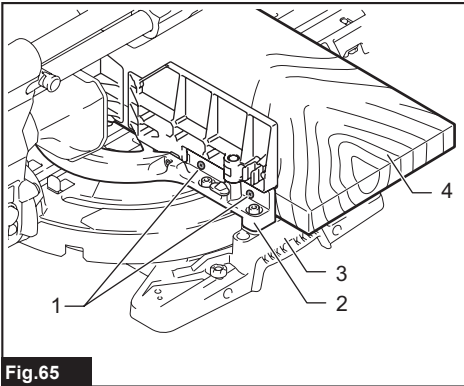


Fig.65

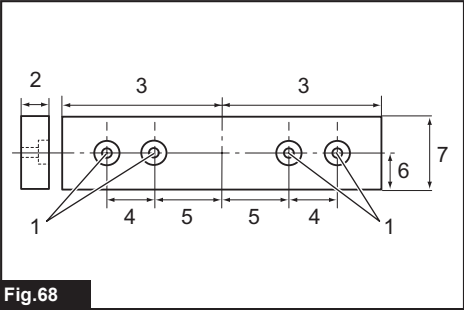


Fig.68

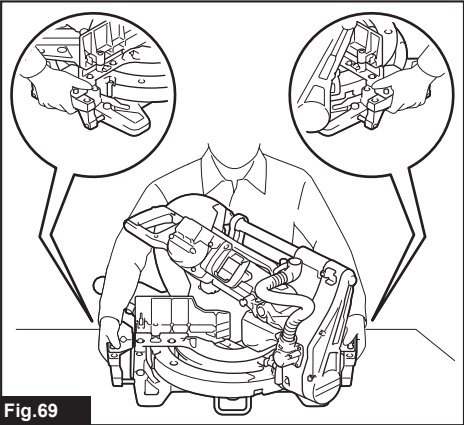


Fig.69

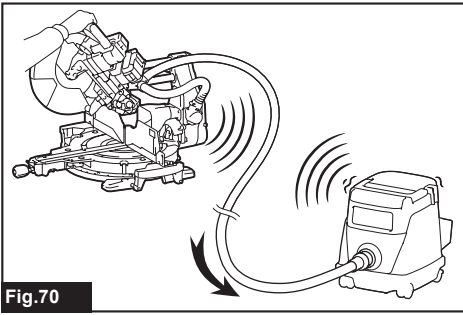


Fig.70

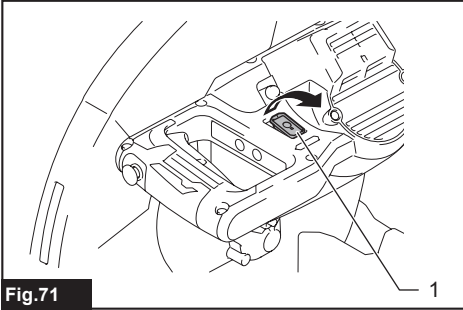


Fig.71

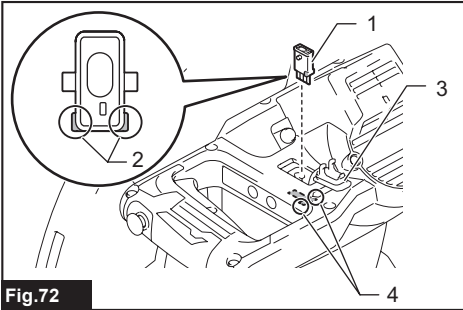


Fig.72

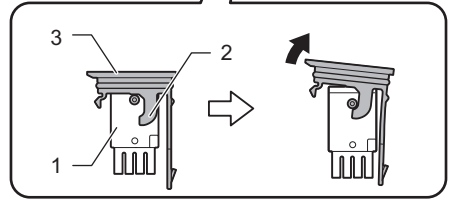
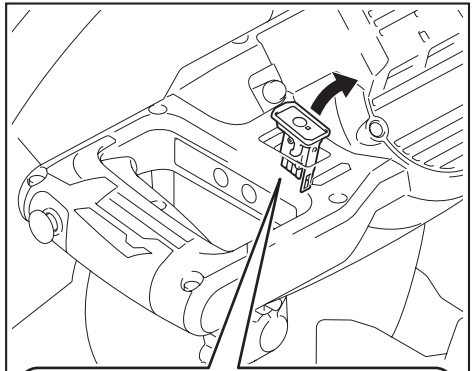


Fig.73

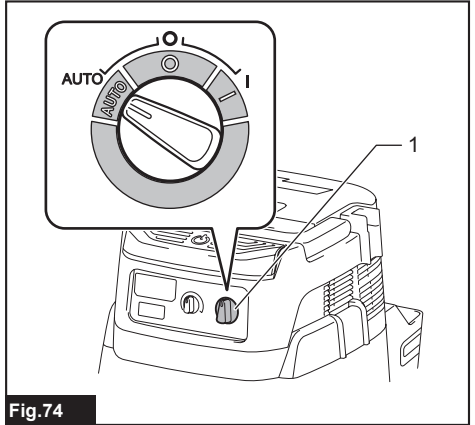


Fig.74

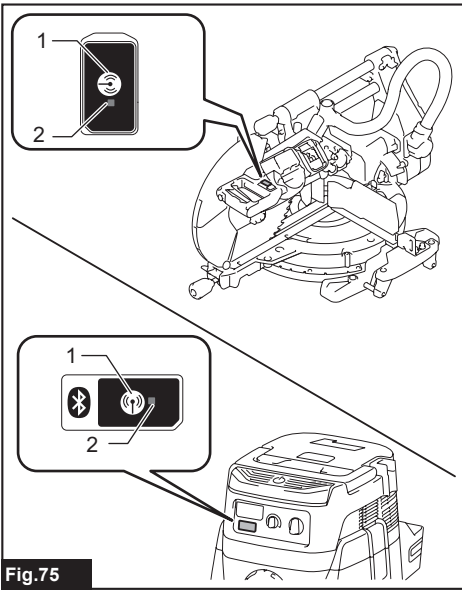


Fig.75

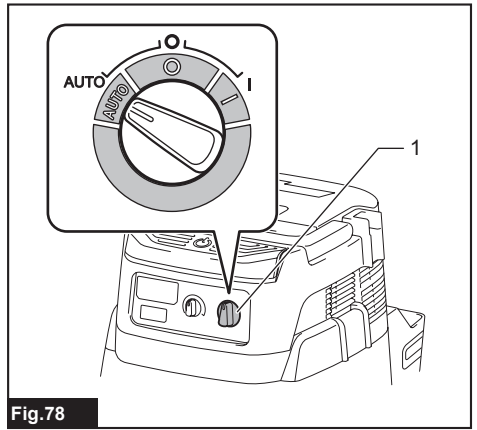


Fig.78

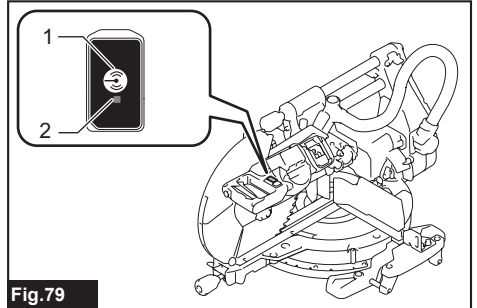


Fig.79

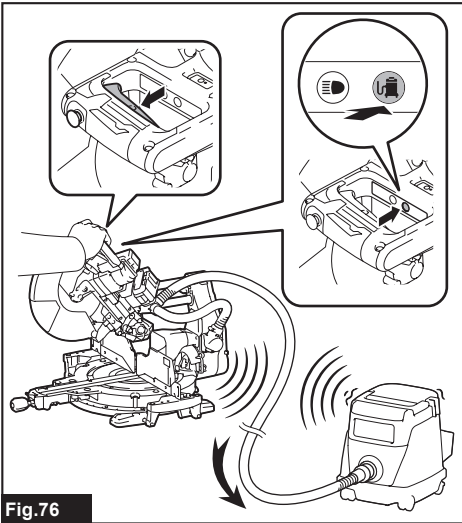


Fig.76

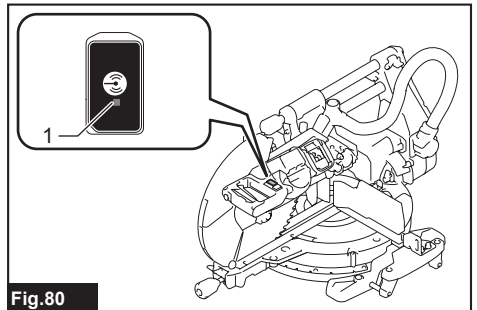


Fig.80

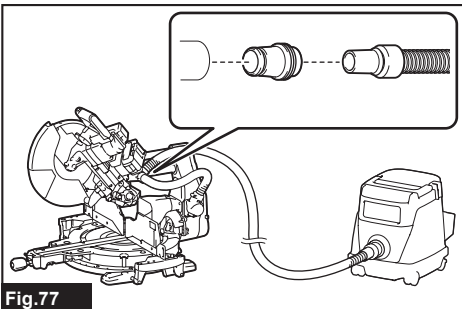


Fig.77

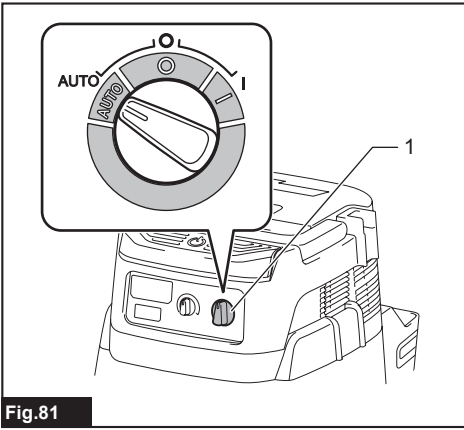


Fig.81

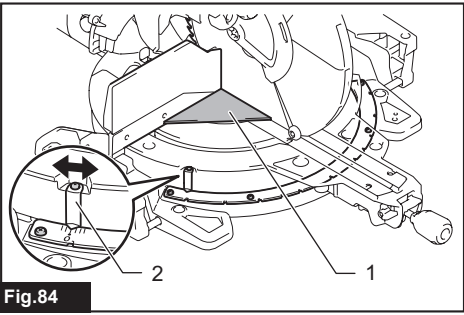


Fig.84

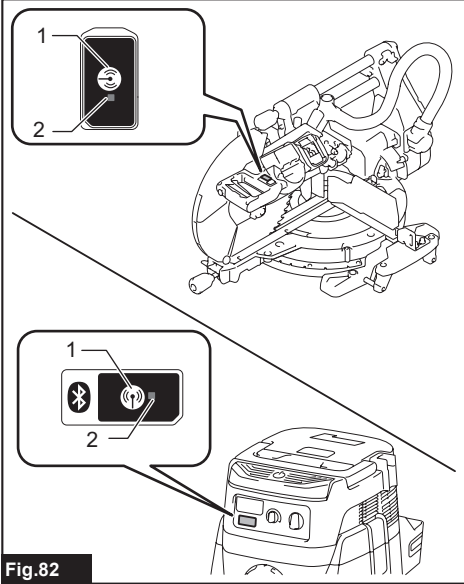


Fig.82

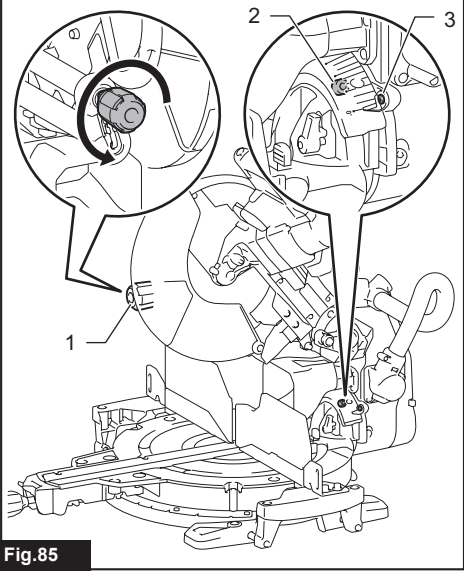


Fig.85

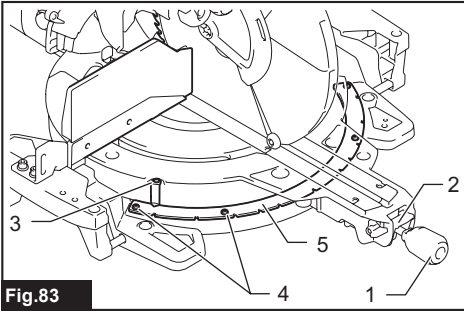


Fig.83

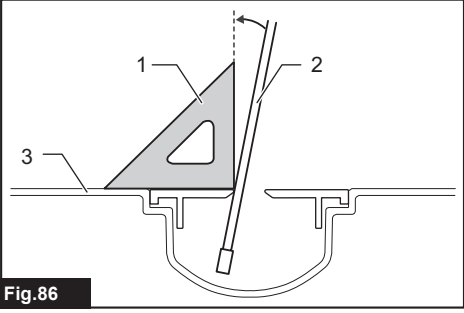


Fig.86

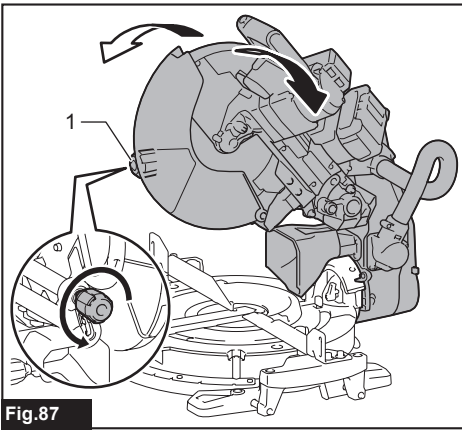


Fig.87

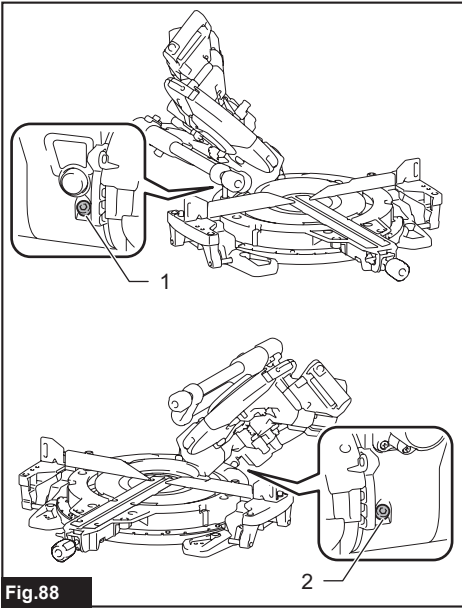


Fig.88

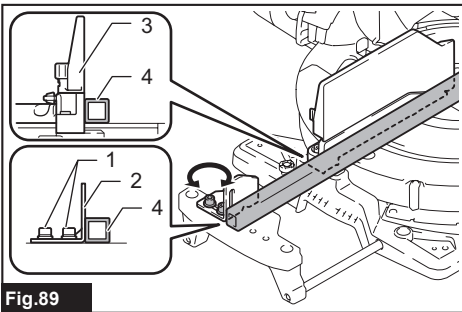


Fig.89

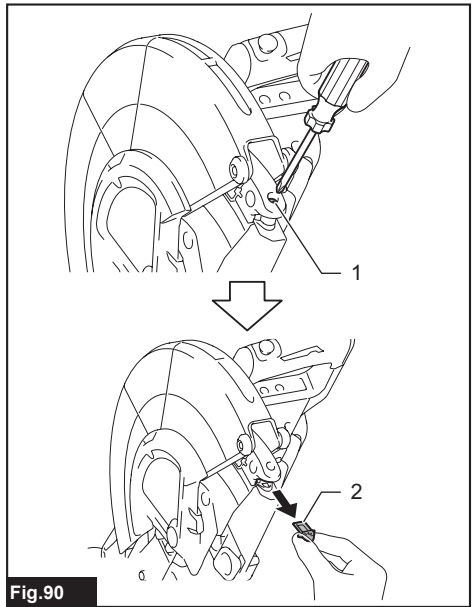


Fig.90

# SPECIFICATIONS

<b>Model:</b>		<b>LS003G</b>
Blade diameter	European countries	305 mm
	Countries other than Europe	305 mm
Hole diameter	European countries	30 mm
	Countries other than Europe	30 mm or 25.4 mm (country specific)
Max. kerf thickness of the saw blade		3.2 mm
Max. miter angle		Right 60°, Left 60°
Max. bevel angle		Right 48°, Left 48°
No load speed (RPM)		3,600 min <sup>-1</sup>
Dimensions (L x W x H)		898 mm x 690 mm x 725 mm
Rated voltage		D.C. 36 V - 40 V max
Net weight		30.5 - 31.1 kg

## Cutting capacities (H x W)

Miter angle			Bevel angle		
			45° (left)	0°	45° (right)
0°	-		61 mm x 382 mm 71 mm x 363 mm	92 mm x 382 mm 107 mm x 363 mm	44 mm x 382 mm 54 mm x 363 mm
	Thickness of wood facing on guide fence for increased height of cut	20 mm	78 mm x 325 mm	115 mm x 325 mm	61 mm x 325 mm
		38 mm	80 mm x 292 mm	120 mm x 292 mm	-
45° (right and left)	-		61 mm x 268 mm 71 mm x 255 mm	92 mm x 268 mm 107 mm x 255 mm	44 mm x 268 mm 54 mm x 255 mm
	Thickness of wood facing on guide fence for increased height of cut	15 mm	-	115 mm x 227 mm	-
		25 mm		120 mm x 212 mm	
60° (right and left)	-		-	92 mm x 185 mm 107 mm x 178 mm	-
	Thickness of wood facing on guide fence for increased height of cut	15 mm		115 mm x 155 mm	
		25 mm		120 mm x 140 mm	

## Cutting capacities for special cuttings

Type of cutting	Cutting capacity
Crown molding 45° type (with crown molding stopper used)	203 mm
Base board (with horizontal vise used)	171 mm

- Due to our continuing program of research and development, the specifications herein are subject to change without notice.
- Specifications may differ from country to country.
- The weight may differ depending on the attachment(s), including the battery cartridge. The lightest and heaviest combination, according to EPTA-Procedure 01/2014, are shown in the table.

## Applicable battery cartridge and charger

Battery cartridge	BL4020 / BL4025 / BL4040* / BL4050F* * : Recommended battery
Charger	DC40RA / DC40RB / DC40RC

- Some of the battery cartridges and chargers listed above may not be available depending on your region of residence.

**⚠WARNING: Only use the battery cartridges and chargers listed above.** Use of any other battery cartridges and chargers may cause injury and/or fire.

## Symbols

The followings show the symbols which may be used for the equipment. Be sure that you understand their meaning before use.



Read instruction manual.



Wear safety glasses.



To avoid injury from flying debris, keep holding the saw head down, after making cuts, until the blade has come to a complete stop.



When performing bevel cut, first turn the knob counterclockwise and then tilt the carriage. After that, turn the knob clockwise to tighten.



When performing slide cut, first pull carriage fully and press down handle, then push carriage toward the guide fence.



Hold down the releasing button when tilting the carriage to the right.



Engage the stopper lever when cutting a base board in 45° miter angle.



Do not place hand or fingers close to the blade.



Do not stare at operating lamp.



A: Blade diameter  
B: Hole diameter



Do not install the horizontal vise to the same direction as the miter cutting. (This symbol is applied on the horizontal vise)



Only for EU countries  
Due to the presence of hazardous components in the equipment, waste electrical and electronic equipment, accumulators and batteries may have a negative impact on the environment and human health. Do not dispose of electrical and electronic appliances or batteries with household waste!

In accordance with the European Directive on waste electrical and electronic equipment and on accumulators and batteries and waste accumulators and batteries, as well as their adaptation to national law, waste electrical equipment, batteries and accumulators should be stored separately and delivered to a separate collection point for municipal waste, operating in accordance with the regulations on environmental protection.  
This is indicated by the symbol of the crossed-out wheeled bin placed on the equipment.

## Intended use

The tool is intended for accurate straight and miter cutting in wood. With appropriate saw blades, aluminum can also be sawed.

Do not use the saw to cut other than wood, aluminum or similar materials.

## SAFETY WARNINGS

### General power tool safety warnings

**⚠WARNING: Read all safety warnings, instructions, illustrations and specifications provided with this power tool.** Failure to follow all instructions listed below may result in electric shock, fire and/or serious injury.

### Save all warnings and instructions for future reference.

The term "power tool" in the warnings refers to your mains-operated (corded) power tool or battery-operated (cordless) power tool.

#### Work area safety

1. **Keep work area clean and well lit.** Cluttered or dark areas invite accidents.
2. **Do not operate power tools in explosive atmospheres, such as in the presence of flammable liquids, gases or dust.** Power tools create sparks which may ignite the dust or fumes.
3. **Keep children and bystanders away while operating a power tool.** Distractions can cause you to lose control.

#### Electrical safety

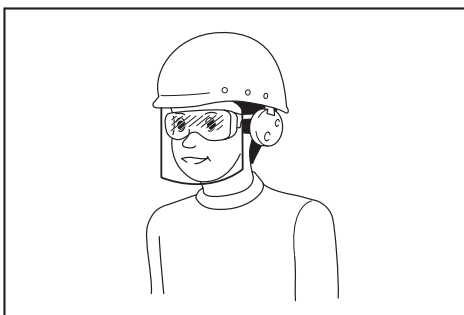
1. **Power tool plugs must match the outlet. Never modify the plug in any way. Do not use any adapter plugs with earthed (grounded) power tools.** Unmodified plugs and matching outlets will reduce risk of electric shock.
2. **Avoid body contact with earthed or grounded surfaces, such as pipes, radiators, ranges and refrigerators.** There is an increased risk of electric shock if your body is earthed or grounded.
3. **Do not expose power tools to rain or wet conditions.** Water entering a power tool will increase the risk of electric shock.
4. **Do not abuse the cord. Never use the cord for carrying, pulling or unplugging the power tool. Keep cord away from heat, oil, sharp edges or moving parts.** Damaged or entangled cords increase the risk of electric shock.
5. **When operating a power tool outdoors, use an extension cord suitable for outdoor use.** Use of a cord suitable for outdoor use reduces the risk of electric shock.



6. **If operating a power tool in a damp location is unavoidable, use a residual current device (RCD) protected supply.** Use of an RCD reduces the risk of electric shock.
7. **Power tools can produce electromagnetic fields (EMF) that are not harmful to the user.** However, users of pacemakers and other similar medical devices should contact the maker of their device and/or doctor for advice before operating this power tool.

#### Personal safety

1. **Stay alert, watch what you are doing and use common sense when operating a power tool. Do not use a power tool while you are tired or under the influence of drugs, alcohol or medication.** A moment of inattention while operating power tools may result in serious personal injury.
2. **Use personal protective equipment. Always wear eye protection.** Protective equipment such as a dust mask, non-skid safety shoes, hard hat or hearing protection used for appropriate conditions will reduce personal injuries.
3. **Prevent unintentional starting. Ensure the switch is in the off-position before connecting to power source and/or battery pack, picking up or carrying the tool.** Carrying power tools with your finger on the switch or energising power tools that have the switch on invites accidents.
4. **Remove any adjusting key or wrench before turning the power tool on.** A wrench or a key left attached to a rotating part of the power tool may result in personal injury.
5. **Do not overreach. Keep proper footing and balance at all times.** This enables better control of the power tool in unexpected situations.
6. **Dress properly. Do not wear loose clothing or jewellery. Keep your hair and clothing away from moving parts.** Loose clothes, jewellery or long hair can be caught in moving parts.
7. **If devices are provided for the connection of dust extraction and collection facilities, ensure these are connected and properly used.** Use of dust collection can reduce dust-related hazards.
8. **Do not let familiarity gained from frequent use of tools allow you to become complacent and ignore tool safety principles.** A careless action can cause severe injury within a fraction of a second.
9. **Always wear protective goggles to protect your eyes from injury when using power tools. The goggles must comply with ANSI Z87.1 in the USA, EN 166 in Europe, or AS/NZS 1336 in Australia/New Zealand. In Australia/New Zealand, it is legally required to wear a face shield to protect your face, too.**



**It is an employer's responsibility to enforce the use of appropriate safety protective equipments by the tool operators and by other persons in the immediate working area.**

#### Power tool use and care

1. **Do not force the power tool. Use the correct power tool for your application.** The correct power tool will do the job better and safer at the rate for which it was designed.
2. **Do not use the power tool if the switch does not turn it on and off.** Any power tool that cannot be controlled with the switch is dangerous and must be repaired.
3. **Disconnect the plug from the power source and/or remove the battery pack, if detachable, from the power tool before making any adjustments, changing accessories, or storing power tools.** Such preventive safety measures reduce the risk of starting the power tool accidentally.
4. **Store idle power tools out of the reach of children and do not allow persons unfamiliar with the power tool or these instructions to operate the power tool.** Power tools are dangerous in the hands of untrained users.
5. **Maintain power tools and accessories. Check for misalignment or binding of moving parts, breakage of parts and any other condition that may affect the power tool's operation. If damaged, have the power tool repaired before use.** Many accidents are caused by poorly maintained power tools.
6. **Keep cutting tools sharp and clean.** Properly maintained cutting tools with sharp cutting edges are less likely to bind and are easier to control.
7. **Use the power tool, accessories and tool bits etc. in accordance with these instructions, taking into account the working conditions and the work to be performed.** Use of the power tool for operations different from those intended could result in a hazardous situation.
8. **Keep handles and grasping surfaces dry, clean and free from oil and grease.** Slippery handles and grasping surfaces do not allow for safe handling and control of the tool in unexpected situations.
9. **When using the tool, do not wear cloth work gloves which may be entangled.** The entanglement of cloth work gloves in the moving parts may result in personal injury.

## Battery tool use and care

1. **Recharge only with the charger specified by the manufacturer.** A charger that is suitable for one type of battery pack may create a risk of fire when used with another battery pack.
2. **Use power tools only with specifically designed battery packs.** Use of any other battery packs may create a risk of injury and fire.
3. **When battery pack is not in use, keep it away from other metal objects, like paper clips, coins, keys, nails, screws or other small metal objects, that can make a connection from one terminal to another.** Shorting the battery terminals together may cause burns or a fire.
4. **Under abusive conditions, liquid may be ejected from the battery; avoid contact. If contact accidentally occurs, flush with water. If liquid contacts eyes, additionally seek medical help.** Liquid ejected from the battery may cause irritation or burns.
5. **Do not use a battery pack or tool that is damaged or modified.** Damaged or modified batteries may exhibit unpredictable behaviour resulting in fire, explosion or risk of injury.
6. **Do not expose a battery pack or tool to fire or excessive temperature.** Exposure to fire or temperature above 130 °C may cause explosion.
7. **Follow all charging instructions and do not charge the battery pack or tool outside the temperature range specified in the instructions.** Charging improperly or at temperatures outside the specified range may damage the battery and increase the risk of fire.

## Service

1. **Have your power tool serviced by a qualified repair person using only identical replacement parts.** This will ensure that the safety of the power tool is maintained.
2. **Never service damaged battery packs.** Service of battery packs should only be performed by the manufacturer or authorized service providers.
3. **Follow instruction for lubricating and changing accessories.**

## Safety instructions for mitre saws

1. **Mitre saws are intended to cut wood or wood-like products, they cannot be used with abrasive cut-off wheels for cutting ferrous material such as bars, rods, studs, etc.** Abrasive dust causes moving parts such as the lower guard to jam. Sparks from abrasive cutting will burn the lower guard, the kerf insert and other plastic parts.
2. **Use clamps to support the workpiece whenever possible. If supporting the workpiece by hand, you must always keep your hand at least 100 mm from either side of the saw blade. Do not use this saw to cut pieces that are too small to be securely clamped or held by hand.** If your hand is placed too close to the saw blade, there is an increased risk of injury from blade contact.
3. **The workpiece must be stationary and clamped or held against both the fence and the table. Do not feed the workpiece into the blade or cut "freehand" in any way.** Unrestrained or moving workpieces could be thrown at high speeds, causing injury.
4. **Push the saw through the workpiece. Do not pull the saw through the workpiece. To make a cut, raise the saw head and pull it out over the workpiece without cutting, start the motor, press the saw head down and push the saw through the workpiece.** Cutting on the pull stroke is likely to cause the saw blade to climb on top of the workpiece and violently throw the blade assembly towards the operator.
5. **Never cross your hand over the intended line of cutting either in front or behind the saw blade.** Supporting the workpiece "cross handed" i.e. holding the workpiece to the right of the saw blade with your left hand or vice versa is very dangerous.  
► Fig.1
6. **Do not reach behind the fence with either hand closer than 100 mm from either side of the saw blade, to remove wood scraps, or for any other reason while the blade is spinning.** The proximity of the spinning saw blade to your hand may not be obvious and you may be seriously injured.
7. **Inspect your workpiece before cutting. If the workpiece is bowed or warped, clamp it with the outside bowed face toward the fence. Always make certain that there is no gap between the workpiece, fence and table along the line of the cut.** Bent or warped workpieces can twist or shift and may cause binding on the spinning saw blade while cutting. There should be no nails or foreign objects in the workpiece.
8. **Do not use the saw until the table is clear of all tools, wood scraps, etc., except for the workpiece.** Small debris or loose pieces of wood or other objects that contact the revolving blade can be thrown with high speed.
9. **Cut only one workpiece at a time.** Stacked multiple workpieces cannot be adequately clamped or braced and may bind on the blade or shift during cutting.
10. **Ensure the mitre saw is mounted or placed on a level, firm work surface before use.** A level and firm work surface reduces the risk of the mitre saw becoming unstable.
11. **Plan your work. Every time you change the bevel or mitre angle setting, make sure the adjustable fence is set correctly to support the workpiece and will not interfere with the blade or the guarding system.** Without turning the tool "ON" and with no workpiece on the table, move the saw blade through a complete simulated cut to assure there will be no interference or danger of cutting the fence.

12. **Provide adequate support such as table extensions, saw horses, etc. for a workpiece that is wider or longer than the table top.** Workpieces longer or wider than the mitre saw table can tip if not securely supported. If the cut-off piece or workpiece tips, it can lift the lower guard or be thrown by the spinning blade.
13. **Do not use another person as a substitute for a table extension or as additional support.** Unstable support for the workpiece can cause the blade to bind or the workpiece to shift during the cutting operation pulling you and the helper into the spinning blade.
14. **The cut-off piece must not be jammed or pressed by any means against the spinning saw blade.** If confined, i.e. using length stops, the cut-off piece could get wedged against the blade and thrown violently.
15. **Always use a clamp or a fixture designed to properly support round material such as rods or tubing.** Rods have a tendency to roll while being cut, causing the blade to "bite" and pull the work with your hand into the blade.
16. **Let the blade reach full speed before contacting the workpiece.** This will reduce the risk of the workpiece being thrown.
17. **If the workpiece or blade becomes jammed, turn the mitre saw off. Wait for all moving parts to stop and disconnect the plug from the power source and/or remove the battery pack. Then work to free the jammed material.** Continued sawing with a jammed workpiece could cause loss of control or damage to the mitre saw.
18. **After finishing the cut, release the switch, hold the saw head down and wait for the blade to stop before removing the cut-off piece.** Reaching with your hand near the coasting blade is dangerous.
19. **Hold the handle firmly when making an incomplete cut or when releasing the switch before the saw head is completely in the down position.** The braking action of the saw may cause the saw head to be suddenly pulled downward, causing a risk of injury.
20. **Only use the saw blade with the diameter that is marked on the tool or specified in the manual.** Use of an incorrectly sized blade may affect the proper guarding of the blade or guard operation which could result in serious personal injury.
21. **Only use the saw blades that are marked with a speed equal or higher than the speed marked on the tool.**
22. **Do not use the saw to cut other than wood, aluminum or similar materials.**
23. **(For European countries only)  
Always use the blade which conforms to EN847-1.**
4. **Do not operate saw without guards in place.** Check blade guard for proper closing before each use. Do not operate saw if blade guard does not move freely and close instantly. Never clamp or tie the blade guard into the open position.
5. **Keep hands out of path of saw blade. Avoid contact with any coasting blade.** It can still cause severe injury.
6. **To reduce the risk of injury, return carriage to the full rear position after each crosscut operation.**
7. **Always secure all moving portions before carrying the tool.**
8. **Stopper pin or stopper lever which locks the saw head down is for carrying and storage purposes only and not for any cutting operations.**
9. **Check the blade carefully for cracks or damage before operation. Replace cracked or damaged blade immediately.** Gum and wood pitch hardened on blades slows saw and increases potential for kickback. Keep blade clean by first removing it from tool, then cleaning it with gum and pitch remover, hot water or kerosene. Never use gasoline to clean blade.
10. **While making a slide cut, KICKBACK can occur. KICKBACK occurs when the blade binds in the workpiece during a cutting operation and the saw blade is driven rapidly towards the operator. Loss of control and serious personal injury can result. If blade begins to bind during a cutting operation, do not continue to cut and release switch immediately.**
11. **Use only flanges specified for this tool.**
12. **Be careful not to damage the arbor, flanges (especially the installing surface) or bolt.** Damage to these parts could result in blade breakage.
13. **Make sure that the turn base is properly secured so it will not move during operation. Use the holes in the base to fasten the saw to a stable work platform or bench. NEVER use tool where operator positioning would be awkward.**
14. **Make sure the shaft lock is released before the switch is turned on.**
15. **Be sure that the blade does not contact the turn base in the lowest position.**
16. **Hold the handle firmly. Be aware that the saw moves up or down slightly during start-up and stopping.**
17. **Make sure the blade is not contacting the workpiece before the switch is turned on.**
18. **Before using the tool on an actual workpiece, let it run for a while. Watch for vibration or wobbling that could indicate poor installation or a poorly balanced blade.**
19. **Stop operation immediately if you notice anything abnormal.**
20. **Do not attempt to lock the trigger in the "ON" position.**
21. **Always use accessories recommended in this manual. Use of improper accessories such as abrasive wheels may cause an injury.**

#### Additional instructions

1. **Make workshop kid proof with padlocks.**
2. **Never stand on the tool.** Serious injury could occur if the tool is tipped or if the cutting tool is unintentionally contacted.
3. **Never leave the tool running unattended. Turn the power off. Do not leave tool until it comes to a complete stop.**

22. **Some material contains chemicals which may be toxic. Take caution to prevent dust inhalation and skin contact. Follow material supplier safety data.**
23. **Do not use a corded power supply with this tool.**

#### **Additional safety rules for operating lamp**

1. **Do not look in the light or see the source of light directly.**

## **SAVE THESE INSTRUCTIONS.**

**⚠WARNING:** DO NOT let comfort or familiarity with product (gained from repeated use) replace strict adherence to safety rules for the subject product. MISUSE or failure to follow the safety rules stated in this instruction manual may cause serious personal injury.

### **Important safety instructions for battery cartridge**

1. **Before using battery cartridge, read all instructions and cautionary markings on (1) battery charger, (2) battery, and (3) product using battery.**
2. **Do not disassemble or tamper the battery cartridge.** It may result in a fire, excessive heat, or explosion.
3. **If operating time has become excessively shorter, stop operating immediately.** It may result in a risk of overheating, possible burns and even an explosion.
4. **If electrolyte gets into your eyes, rinse them out with clear water and seek medical attention right away.** It may result in loss of your eyesight.
5. **Do not short the battery cartridge:**
  - (1) **Do not touch the terminals with any conductive material.**
  - (2) **Avoid storing battery cartridge in a container with other metal objects such as nails, coins, etc.**
  - (3) **Do not expose battery cartridge to water or rain.**

**A battery short can cause a large current flow, overheating, possible burns and even a breakdown.**
6. **Do not store and use the tool and battery cartridge in locations where the temperature may reach or exceed 50 °C (122 °F).**
7. **Do not incinerate the battery cartridge even if it is severely damaged or is completely worn out.** The battery cartridge can explode in a fire.
8. **Do not nail, cut, crush, throw, drop the battery cartridge, or hit against a hard object to the battery cartridge.** Such conduct may result in a fire, excessive heat, or explosion.
9. **Do not use a damaged battery.**

10. **The contained lithium-ion batteries are subject to the Dangerous Goods Legislation requirements.**

For commercial transports e.g. by third parties, forwarding agents, special requirement on packaging and labeling must be observed. For preparation of the item being shipped, consulting an expert for hazardous material is required. Please also observe possibly more detailed national regulations.

Tape or mask off open contacts and pack up the battery in such a manner that it cannot move around in the packaging.

11. **When disposing the battery cartridge, remove it from the tool and dispose of it in a safe place. Follow your local regulations relating to disposal of battery.**
12. **Use the batteries only with the products specified by Makita.** Installing the batteries to non-compliant products may result in a fire, excessive heat, explosion, or leak of electrolyte.
13. **If the tool is not used for a long period of time, the battery must be removed from the tool.**
14. **During and after use, the battery cartridge may take on heat which can cause burns or low temperature burns. Pay attention to the handling of hot battery cartridges.**
15. **Do not touch the terminal of the tool immediately after use as it may get hot enough to cause burns.**
16. **Do not allow chips, dust, or soil stuck into the terminals, holes, and grooves of the battery cartridge.** It may result in poor performance or breakdown of the tool or battery cartridge.
17. **Unless the tool supports the use near high-voltage electrical power lines, do not use the battery cartridge near a high-voltage electrical power lines.** It may result in a malfunction or breakdown of the tool or battery cartridge.
18. **Keep the battery away from children.**

## **SAVE THESE INSTRUCTIONS.**

**⚠CAUTION:** Only use genuine Makita batteries. Use of non-genuine Makita batteries, or batteries that have been altered, may result in the battery bursting causing fires, personal injury and damage. It will also void the Makita warranty for the Makita tool and charger.

## **Tips for maintaining maximum battery life**

1. **Charge the battery cartridge before completely discharged. Always stop tool operation and charge the battery cartridge when you notice less tool power.**
2. **Never recharge a fully charged battery cartridge. Overcharging shortens the battery service life.**
3. **Charge the battery cartridge with room temperature at 10 °C - 40 °C (50 °F - 104 °F). Let a hot battery cartridge cool down before charging it.**
4. **When not using the battery cartridge, remove it from the tool or the charger.**

- Charge the battery cartridge if you do not use it for a long period (more than six months).

## Important safety instructions for wireless unit

- Do not disassemble or tamper with the wireless unit.
- Keep the wireless unit away from young children. If accidentally swallowed, seek medical attention immediately.
- Use the wireless unit only with Makita tools.
- Do not expose the wireless unit to rain or wet conditions.
- Do not use the wireless unit in places where the temperature exceeds 50 °C (122 °F).
- Do not operate the wireless unit in places where medical instruments, such as heart pace makers are nearby.
- Do not operate the wireless unit in places where automated devices are nearby. If operated, automated devices may develop malfunction or error.
- Do not operate the wireless unit in places under high temperature or places where static electricity or electrical noise could be generated.
- The wireless unit can produce electromagnetic fields (EMF) but they are not harmful to the user.
- The wireless unit is an accurate instrument. Be careful not to drop or strike the wireless unit.
- Avoid touching the terminal of the wireless unit with bare hands or metallic materials.
- Always remove the battery on the product when installing the wireless unit into it.
- When opening the lid of the slot, avoid the place where dust and water may come into the slot. Always keep the inlet of the slot clean.
- Always insert the wireless unit in the correct direction.
- Do not press the wireless activation button on the wireless unit too hard and/or press the button with an object with a sharp edge.
- Always close the lid of the slot when operating.
- Do not remove the wireless unit from the slot while the power is being supplied to the tool. Doing so may cause a malfunction of the wireless unit.
- Do not remove the sticker on the wireless unit.
- Do not put any sticker on the wireless unit.
- Do not leave the wireless unit in a place where static electricity or electrical noise could be generated.
- Do not leave the wireless unit in a place subject to high heat, such as a car sitting in the sun.
- Do not leave the wireless unit in a dusty or powdery place or in a place corrosive gas could be generated.
- Sudden change of the temperature may bedew the wireless unit. Do not use the wireless unit until the dew is completely dried.
- When cleaning the wireless unit, gently wipe with a dry soft cloth. Do not use benzine, thinner, conductive grease or the like.
- When storing the wireless unit, keep it in the supplied case or a static-free container.
- Do not insert any devices other than Makita wireless unit into the slot on the tool.
- Do not use the tool with the lid of the slot damaged. Water, dust, and dirt come into the slot may cause malfunction.
- Do not pull and/or twist the lid of the slot more than necessary. Restore the lid if it comes off from the tool.
- Replace the lid of the slot if it is lost or damaged.

**SAVE THESE INSTRUCTIONS.**

## PARTS DESCRIPTION

► Fig.2

1	Knob (for bevel angle)	2	Hex wrench	3	Adjusting screw (for lower limit position)	4	Adjusting bolt (for maximum cutting capacity)
5	Stopper arm	6	Lock-off button	7	Switch trigger	8	Lid (for wireless unit)
9	Hole for padlock	10	Wireless activation button	11	Wireless activation lamp	12	Lamp button
13	Vacuum button	14	Blade case	15	Blade guard	16	Sub fence
17	Lock lever (for turn base)	18	Releasing lever (for turn base)	19	Grip (for turn base)	20	Kerf board
21	Miter angle scale	22	Pointer (for miter angle)	23	Turn base	24	Sub base
25	Releasing button (for right side bevel angle)	26	Vertical vise	27	Stopper pin (for carriage sliding)	28	Slide pole

► Fig.3

1	Handle	2	Battery cartridge	3	Dust bag (when replaced with dust extraction hose)	4	Hose (for dust extraction)
5	Bevel angle scale	6	0° adjusting bolt (for bevel angle)	7	Pointer (for bevel angle)	8	45° adjusting bolt (for bevel angle)
9	Latch lever (for bevel angle)	10	Releasing lever (for 48° bevel angle)	11	Guide fence (upper fence)	12	Guide fence (lower fence)
13	Stopper pin (for carriage elevation)	14	Shaft lock	-	-	-	-

## INSTALLATION

### Installing the grip

Screw the threaded shaft of the grip into the turn base.

► Fig.4: 1. Grip 2. Turn base

### Installing and removing dust extraction hose

Attach the hose elbow to the upper port with the lock button facing upwards. Insert the sleeve of the hose into the lower port, pressing and aligning the stopper buttons on the sleeve with the guide notches on the port. Make sure that the elbow and sleeve fit properly to the ports of the tool.

► Fig.5: 1. Dust extraction hose 2. Elbow 3. Lock button 4. Sleeve 5. Upper Port 6. Lower Port

To remove the hose elbow from the port, pull the elbow while pressing down the lock button.

► Fig.6: 1. Lock button 2. Elbow

To remove the sleeve of the hose from the port, pull the sleeve while pressing the stopper buttons on both sides of the port.

► Fig.7: 1. Stopper button 2. Sleeve

### Bench mounting

When the tool is shipped, the handle is locked in the lowered position by the stopper pin. While lowering the handle slightly, pull the stopper pin and rotate it 90°.

► Fig.8: 1. Locked position 2. Unlocked position 3. Stopper pin

This tool should be bolted with four bolts to a level and stable surface using the bolt holes provided in the tool's base. This will help prevent tipping and possible injury.

► Fig.9: 1. Bolt

**⚠ WARNING:** Ensure that the tool will not move on the supporting surface. Movement of the miter saw on the supporting surface while cutting may result in loss of control and serious personal injury.

## FUNCTIONAL DESCRIPTION

**⚠ WARNING:** Always be sure that the tool is switched off and the battery cartridge is removed before adjusting or checking the functions on the tool. Failure to switch off and remove the battery cartridge may result in serious personal injury from accidental start-up.

### Installing or removing battery cartridge

**⚠ CAUTION:** Always switch off the tool before installing or removing of the battery cartridge.

**⚠ CAUTION:** Hold the tool and the battery cartridge firmly when installing or removing battery cartridge. Failure to hold the tool and the battery cartridge firmly may cause them to slip off your hands and result in damage to the tool and battery cartridge and a personal injury.

► Fig.10: 1. Red indicator 2. Button 3. Battery cartridge

To remove the battery cartridge, slide it from the tool while sliding the button on the front of the cartridge.

To install the battery cartridge, align the tongue on the battery cartridge with the groove in the housing and slip it into place. Insert it all the way until it locks in place with a little click. If you can see the red indicator as shown in the figure, it is not locked completely.

**⚠ CAUTION:** Always install the battery cartridge fully until the red indicator cannot be seen. If not, it may accidentally fall out of the tool, causing injury to you or someone around you.

**⚠ CAUTION:** Do not install the battery cartridge forcibly. If the cartridge does not slide in easily, it is not being inserted correctly.



## Tool / battery protection system

The tool is equipped with a tool/battery protection system. This system automatically cuts off power to the motor to extend tool and battery life. The tool will automatically stop during operation if the tool or battery is placed under one of the following conditions.

### Overload protection

When the tool/battery is operated in a manner that causes it to draw an abnormally high current, the tool automatically stops. In this situation, turn the tool off and stop the application that caused the tool to become overloaded. Then turn the tool on to restart.

### Overheat protection

When the tool/battery is overheated, the tool stops automatically and the lamp will blink. In this situation, let the tool cool down before turning the tool on again.

### Overdischarge protection

When the battery capacity becomes low, the tool stops automatically. If the tool does not run along with the switch operation, remove the battery from the tool and charge it.

## Indicating the remaining battery capacity

Press the check button on the battery cartridge to indicate the remaining battery capacity. The indicator lamps light up for a few seconds.

► Fig.11: 1. Indicator lamps 2. Check button

Indicator lamps			Remaining capacity
Lighted	Off	Blinking	
■	□	▣	75% to 100%
■ ■ ■ ■			
■ ■ ■	□		50% to 75%
■ ■	□ □		25% to 50%
■	□ □ □		0% to 25%
▣	□ □ □ □		Charge the battery.
■ ■	□ □		The battery may have malfunctioned.
□ □	■ ■		

**NOTE:** Depending on the conditions of use and the ambient temperature, the indication may differ slightly from the actual capacity.

**NOTE:** The first (far left) indicator lamp will blink when the battery protection system works.

## Handle lock

**CAUTION:** Always hold the handle when releasing the stopper pin. Otherwise the handle springs up and it may result in personal injury.

The handle can be locked either in the lowered position or raised position with the stopper pin. Lower or raise the handle fully and then pull and rotate the stopper pin in a locked position. To unlock the handle, pull the stopper pin and rotate it 90° in an unlocked position while lowering the handle slightly.

► Fig.12: 1. Locked position 2. Unlocked position 3. Stopper pin

## Slide lock

Pull the stopper pin and turn it 90° in an unlocked position to allow free movement of the carriage. To lock the sliding movement of the carriage, push the carriage toward the arm until it stops, and then return the stopper pin in a locked position.

► Fig.13: 1. Locked position 2. Unlocked position 3. Stopper pin 4. Arm

## Blade guard

**WARNING:** Never defeat or remove the blade guard or the spring which attaches to the guard. An exposed blade as a result of defeated guarding may result in serious personal injury during operation.

**WARNING:** Never use the tool if the blade guard or spring are damaged, faulty or removed. Operation of the tool with a damaged, faulty or removed guard may result in serious personal injury.

**CAUTION:** Always maintain the blade guard in good condition for safe operation. Stop the operation immediately if there are any irregularity of the blade guard. Check to assure spring loaded return action of guard.

When lowering the handle, the blade guard raises automatically. The guard is spring loaded so it returns to its original position when the cut is completed and the handle is raised.

► Fig.14: 1. Blade guard

## Cleaning

If the transparent blade guard becomes dirty, or sawdust adheres to it in such a way that the blade and/or workpiece is no longer easily visible, remove the battery cartridge and clean the guard carefully with a damp cloth. Do not use solvents or any petroleum-based cleaners on the plastic guard because this may cause damage to the guard.

Follow the step-by-step instructions listed on how to prepare for cleaning.

1. Make sure that the tool is switched off and the battery cartridge is removed.
2. Turn the hex bolt counterclockwise using the supplied hex wrench while holding the center cover.
3. Raise the blade guard and center cover.

4. When cleaning is complete, return the center cover and tighten the hex bolt by performing the steps above in reverse.

5. Make sure to return the circular saw blade and center cover to their original positions and tighten the hex bolt.

► **Fig.15:** 1. Hex wrench 2. Hex bolt 3. Center cover 4. Blade guard

**⚠ WARNING:** Do not remove spring holding blade guard. If guard becomes damaged in course of time or UV light exposure, contact a Makita service center for replacement. **DO NOT DEFEAT OR REMOVE GUARD.**

## Positioning kerf board

This tool is provided with the kerf boards in the turn base to minimize tearing on the exit side of a cut. The kerf boards are factory adjusted so that the circular saw blade does not contact the kerf boards. Before use, adjust the kerf boards as follows:

1. Make sure to remove the battery cartridge. Then, loosen all the screws (3 each on left and right) securing the kerf boards.

► **Fig.16:** 1. Kerf board 2. Screw

**NOTE:** The far rear screws can easily be loosened and tightened by turning the turn base at an angle. Make sure to raise the handle fully when turning the turn base.

2. Re-tighten them only to the extent that the kerf boards can still be easily moved by hand.

**NOTE:** Be sure to return the turn base to the original angle (0° miter angle) when repositioning the kerf boards.

3. Lower the handle fully, then pull and turn the stopper pin to lock the handle in the lowered position.

4. Pull and turn the stopper pin on the slide pole to allow the carriage sliding.

► **Fig.17:** 1. Stopper pin 2. Locked position 3. Unlocked position

5. Pull the carriage toward you fully.

6. Adjust the kerf boards so that they just contact the sides of the blade teeth.

► **Fig.18**

► **Fig.19:** 1. Saw blade 2. Blade teeth 3. Kerf board 4. Left bevel cut 5. Straight cut 6. Right bevel cut

7. Tighten the front screws (do not tighten firmly).

8. Push the carriage toward the guide fences fully and then adjust the kerf boards so that they just contact the sides of the blade teeth.

9. Tighten the center screws (do not tighten firmly).

10. After adjusting the kerf boards, release the stopper pin for handle lock and raise the handle. Then tighten all the screws securely.

**NOTICE:** After setting the bevel angle, ensure that the kerf boards are adjusted properly. Correct adjustment of the kerf boards helps to provide proper support of the workpiece and minimizing workpiece tear out.

## Maintaining maximum cutting capacity

This tool is factory adjusted to provide the maximum cutting capacity for a 305 mm saw blade.

When installing a new circular saw blade, always check the lower limit position of the circular saw blade, and if necessary, adjust it as follows:

1. Remove the battery cartridge. Then turn the stopper lever to engaged position.

► **Fig.20:** 1. Stopper lever

2. Push the carriage toward the guide fences fully and lower the handle completely.

► **Fig.21:** 1. Guide fence 2. Adjusting bolt

3. Use the hex wrench to turn the adjusting bolt until the circular saw blade comes slightly below the cross section of the guide fences and the top surface of the turn base.

► **Fig.22:** 1. Top surface of turn base 2. Guide fence

4. Rotate the blade by hand while holding the handle all the way down to be sure that the circular saw blade does not contact any part of the lower base. Re-adjust slightly, if necessary.

**⚠ WARNING:** After installing a new circular saw blade and with the battery cartridge removed, always be sure that the circular saw blade does not contact any part of the lower base when the handle is lowered completely. If a circular saw blade makes contact with the base, it may cause kickback and result in serious personal injury.

► **Fig.23**

**⚠ CAUTION:** Always return the stopper lever to the original position after adjustment.

## Stopper arm

The lower limit position of the circular saw blade can be easily adjusted with the stopper arm. To adjust it, move the stopper arm in the direction of the arrow as shown in the figure. Turn the adjusting screw so that the circular saw blade stops at the desired position when lowering the handle fully.

► **Fig.24:** 1. Adjusting screw 2. Stopper arm

**⚠ CAUTION:** Always hold the handle firmly when adjusting. Failure to do so may cause the carriage to jump up and result in injury.



## Adjusting the miter angle

**CAUTION:** After changing the miter angle, always secure the turn base by returning the lock/releasing lever to a locked position and tightening the grip firmly.

**NOTICE:** When turning the turn base, be sure to raise the handle fully.

1. Rotate the grip counterclockwise. Then press and hold down the lock lever into an unlocked position.
  2. Hold and swing the grip from side to side to turn the turn base.
  3. Align the pointer with your desired angle on the miter angle scale.
  4. Release the lock lever and tighten the grip.
- **Fig.25:** 1. Grip 2. Lock lever 3. Pointer 4. Miter angle scale

## Positive stop function

This miter saw employs positive stop function. You can set 0°, 15°, 22.5°, 31.6°, 45°, and 60° right/left miter angle quickly.

1. Rotate the grip counterclockwise
  2. Press and hold down the lock lever in an unlocked position.
  3. Turn the turn base close to your desired positive stop angle and release the lock lever.
  4. Turn the turn base at your desired positive stop angle until it is secured.
  5. Tighten the grip.
- **Fig.26:** 1. Grip 2. Lock lever 3. Positive stop angle

**NOTE:** To set the turn base free from the positive stop function, press down the releasing lever. The turn base can be moved freely without holding down the lock lever. Swing the grip to turn the turn base to your desired angle, and then tighten the grip.

- **Fig.27:** 1. Releasing lever

## Adjusting the bevel angle

**CAUTION:** After changing the bevel angle, always secure the arm by tightening the knob on the slide pole clockwise.

**NOTICE:** Always remove the upper guide fences and vertical vise before adjusting the bevel angle.

**NOTICE:** When tilting the circular saw blade, be sure that the carriage is fully raised.

**NOTICE:** When changing bevel angles, be sure to reposition the kerf boards appropriately as explained in the section for positioning kerf boards.

**NOTICE:** Do not tighten the knob on the slide pole too hard. Doing so may cause malfunction of the locking mechanism of the bevel angle.

## Tilting the circular saw blade to the left

1. Rotate the knob on the slide pole counterclockwise.
- **Fig.28:** 1. Knob
2. Pull and raise the latch lever up to allow free movement of the carriage arm.
- **Fig.29:** 1. Latch lever
3. Hold the handle and tilt the carriage to the left.
  4. Align the pointer with your desired angle on the bevel angle scale.
  5. Tighten the knob clockwise to secure the carriage arm.
- **Fig.30:** 1. Knob 2. Handle 3. Pointer 4. Bevel angle scale

## Tilting the circular saw blade to the right

1. Rotate the knob on the slide pole counterclockwise.
  2. Hold the handle and tilt the carriage to the left slightly.
  3. Tilt the carriage to the right while pressing the releasing button for right side bevel angle.
  4. Align the pointer with your desired angle on the bevel angle scale.
  5. Tighten the knob clockwise to secure the carriage arm.
- **Fig.31:** 1. Knob 2. Handle 3. Releasing button for right side bevel angle 4. Bevel angle scale

## Tilting the circular saw blade using positive stop function

This miter saw employs positive stop function. You can set 22.5° and 33.9° angle to both right and left quickly.

1. Rotate the knob on the slide pole counterclockwise.
  2. Tilt the carriage close to your desired positive stop angle while raising the latch lever up.
  3. Set the latch lever in a horizontal position.
  4. Tilt the carriage at your desired positive stop angle until it is secured.
  5. To change the angle, pull the latch lever towards the front of the tool, and then re-tilt the carriage.
  6. Tighten the knob clockwise to secure the carriage arm.
- **Fig.32:** 1. Knob 2. Latch lever

## Tilting the circular saw blade beyond the range 0° - 45°

1. Rotate the knob on the slide pole counterclockwise.
2. Hold the handle and tilt the carriage through 45° either to the left or right.

3. Pull the carriage back slightly and slide the releasing lever for 48° bevel angle towards the front of the tool.
4. Tilt the carriage further to the left or right while keeping the lever released.
5. Tighten the knob clockwise to secure the carriage arm.

► **Fig.33:** 1. Knob 2. Handle 3. Releasing lever for 48° bevel angle

## Switch action

**⚠ WARNING:** Before installing the battery cartridge(s) into the tool, always check to see that the switch trigger actuates properly and returns to the “OFF” position when released. Do not pull the switch trigger hard without pressing in the lock-off button. This can cause switch breakage. Operating a tool with a switch that does not actuate properly can lead to loss of control and serious personal injury.

**⚠ WARNING:** NEVER use tool without a fully operative switch trigger. Any tool with an inoperative switch is HIGHLY DANGEROUS and must be repaired before further usage or serious personal injury may occur.

**⚠ WARNING:** NEVER defeat the lock-off button by taping down or some other means. A switch with a negated lock-off button may result in unintentional operation and serious personal injury.

**⚠ WARNING:** NEVER use the tool if it runs when you simply pull the switch trigger without pressing the lock-off button. A switch in need of repair may result in unintentional operation and serious personal injury. Return tool to a Makita service center for proper repairs BEFORE further usage.

► **Fig.34:** 1. Switch trigger 2. Lock-off button 3. Hole for padlock

To prevent the switch trigger from being accidentally pulled, a lock-off button is provided. To start the tool, press in the lock-off button and pull the switch trigger. Release the switch trigger to stop.

A hole is provided in the switch trigger for insertion of a padlock to lock the tool off.

**⚠ WARNING:** Do not use a lock with a shank or cable any smaller than 6.35 mm in diameter. A smaller shank or cable may not properly lock the tool in the off position and unintentional operation may occur resulting in serious personal injury.

## Casting a cutting line

**⚠ CAUTION:** The lamp is not a rainproof. Do not wash the lamp in water or use it in a rain or a wet area. Such a conduct can cause an electric shock and fume.

**⚠ CAUTION:** Do not touch the lens of the lamp as it is very hot while it is lighted or shortly after it is turned off. This may cause burns.

**⚠ CAUTION:** Do not apply impact to the lamp, which may cause damage or shorted service time to it.

**⚠ CAUTION:** Do not look in the light or see the source of light directly.

The LED lamp casts a light over the circular saw blade, and a shadow of the blade falls onto a workpiece serving as a calibration-free cutting line indicator. Press the lamp button to shed a light. A line appears in which the blade will meet the surface of the workpiece, becoming deepened as the blade gets lowered.

► **Fig.35:** 1. Lamp button 2. Lamp 3. Cutting line

The indicator helps cut through an existing cut-off line penciled on a workpiece.

1. Hold the handle and lower the circular saw blade so a dense shadow of the blade is thrown against a workpiece.
2. Align a cut-off line drawn on the workpiece with the shadowed cutting line.
3. Adjust the miter angles and bevel angles if necessary.

**NOTE:** Be sure to turn off the lamp switch after use because turning on the light consumes the battery power.

**NOTE:** The light automatically goes off 5 minutes after you cease operation.

## Electronic function

### Electric brake

This tool is equipped with an electric blade brake. If the tool consistently fails to quickly cease to function after the switch trigger is released, have the tool serviced at a Makita service center.

**⚠ CAUTION:** The blade brake system is not a substitute for the blade guard. Never use tool without a functioning blade guard. An unguarded blade may result in serious personal injury.

### Constant speed control

The tool is provided with an electronic speed control which helps maintain a constant blade rotation speed even under load. A constant blade rotation speed will result in a very smooth cut.

### Soft start feature

This function allows the smooth start-up of the tool by limiting the start-up torque.

## ASSEMBLY

**⚠ WARNING:** Always be sure that the tool is switched off and the battery cartridge is removed before working on the tool. Failure to switch off and remove the battery cartridge may result in serious personal injury.

### Hex wrench storage

When not in use, store the hex wrench as shown in the figure to keep it from being lost.

► **Fig.36:** 1. Hex wrench

### Removing and installing saw blade

**⚠ WARNING:** Always be sure that the tool is switched off and the battery cartridge is removed before removing and installing the circular saw blade. Accidental start up of the tool may result in serious personal injury.

**⚠ WARNING:** Use only the Makita wrench provided to remove and install the circular saw blade. Failure to use the wrench may result in overtightening or insufficient tightening of the hex socket bolt and serious personal injury.

**⚠ WARNING:** Never use or substitute the parts which are not supplied with this tool. Using such parts can cause serious personal injury.

**⚠ WARNING:** After installing the circular saw blade, always make sure that it is securely installed. Loose attachment of the circular saw blade can cause serious personal injury.

### Removing the blade

To remove the circular saw blade, perform the following steps:

1. Lock the carriage in the raised position by pulling and turning the stopper pin in a locked position.

► **Fig.37:** 1. Stopper pin 2. Unlocked position  
3. Locked position

2. Use the hex wrench to loosen the hex bolt holding the center cover. Then, raise the blade guard and center cover.

► **Fig.38:** 1. Hex wrench 2. Hex bolt 3. Center cover  
4. Blade guard

3. Press the shaft lock to lock the spindle and use the hex wrench to loosen the hex socket bolt clockwise. Then remove the hex socket bolt, outer flange and circular saw blade.

► **Fig.39:** 1. Hex socket bolt (left-handed) 2. Outer flange 3. Shaft lock

4. If the inner flange is removed, install it on the spindle with its recessed side facing the circular saw blade. If the flange is installed incorrectly the flange will rub against the machine.

► **Fig.40:** 1. Hex socket bolt (left-handed) 2. Outer flange 3. Circular saw blade 4. Ring 5. Inner flange 6. Spindle 7. Recessed side

### Installing the blade

**⚠ WARNING:** Before mounting the blade onto the spindle, always be sure that the correct ring for the blade's arbor hole you intend to use is installed between the inner and the outer flanges. Use of the incorrect arbor hole ring may result in the improper mounting of the blade causing blade movement and severe vibration resulting in possible loss of control during operation and in serious personal injury.

**⚠ CAUTION:** Make sure to install the circular saw blade so that the direction of the arrow on the blade matches that on the blade case. Failure to do so may result in personal injury and cause damage to the tool and/or the workpiece.

To install the circular saw blade, perform the following steps:

1. Mount the circular saw blade carefully onto the inner flange. Make sure that the direction of the arrow on the circular saw blade matches the direction of the arrow on the blade case.

► **Fig.41:** 1. Arrow on blade case 2. Arrow on circular saw blade

2. Install the outer flange and hex socket bolt, and then use the hex wrench to tighten the hex socket bolt counterclockwise securely while pressing the shaft lock.

► **Fig.42:** 1. Hex socket bolt (left-handed) 2. Outer flange 3. Circular saw blade 4. Ring 5. Inner flange 6. Spindle 7. Recessed side

3. Return the blade guard and center cover to its original position. Then tighten the hex bolt clockwise to secure the center cover.

4. Pull and turn the stopper pin in an unlocked position to release the carriage from the raised position. Lower the carriage and check that the blade guard moves properly.

**⚠ CAUTION:** Make sure shaft lock has released spindle before making cut.

### Connecting a vacuum cleaner

When you wish to perform clean cutting operation, connect a Makita vacuum cleaner to the dust nozzle (upper dust port) using a front cuff 24 (optional accessory).

► **Fig.43:** 1. Front cuff 24 2. Hose 3. Vacuum cleaner

### Dust bag

**⚠ CAUTION:** When performing a cutting, always attach the dust bag or connect a vacuum cleaner to prevent dust-related hazards.

The use of the dust bag makes cutting operations clean and dust collection easy. To attach the dust bag, remove the dust extraction hose from the tool and connect the dust bag to the dust nozzle (upper dust port).

► **Fig.44:** 1. Dust extraction hose 2. Dust bag 3. Dust nozzle (upper dust port)

When the dust bag is about half full, remove the dust bag from the tool and pull the fastener out. Empty the dust bag of its contents, tapping it lightly so as to remove particles adhering to the insides which might hamper further collection.

► **Fig.45:** 1. Fastener

## Securing workpiece

**⚠WARNING:** It is extremely important to always secure the workpiece correctly with the proper type of vise or crown molding stoppers. Failure to do so may result in serious personal injury and cause damage to the tool and/or the workpiece.

**⚠WARNING:** When cutting a workpiece that is longer than the support base of the miter saw, support the entire length of the material beyond the support base keeping the material level. Proper workpiece support helps to avoid blade pinch and possible kickback which may result in serious personal injury. Do not rely solely on the vertical vise and/or horizontal vise to secure the workpiece. Thin material tends to sag. Support workpiece over its entire length to avoid blade pinch and possible KICKBACK.

► **Fig.46:** 1. Support 2. Turn base

## Guide fences

**⚠WARNING:** Before operating the tool, make sure that the upper fence is secured firmly.

**⚠WARNING:** Before bevel-cutting, make sure that no part of the tool, especially the saw blade, contacts the upper and lower fences when fully lowering and raising the handle in any position and while moving the carriage through its full range of travel. If the tool or blade makes contact with the fence, this may result in kickback or unexpected movement of the material and serious personal injury.

Use upper fences to support the material higher than the lower fences. Insert the upper fence into the hole on the lower fence and tighten the clamping screw.

► **Fig.47:** 1. Upper fence 2. Lower fence 3. Clamping screw 4. Adjusting screw

**NOTICE:** The lower fences are fixed to the base in the factory. Do not remove the lower fences.

**NOTICE:** If the upper fence is still loose after tightening the clamping screw, turn the adjusting screw to close a gap. The adjusting screw is factory adjusted. You don't need to use it unless needed.

When not using the upper fence, you can store it onto the pipe of the sub base. Use the clip on the upper fence to hold it on the pipe of the sub base.

► **Fig.48:** 1. Sub base 2. Upper fence 3. Clip

## Vertical vise

**⚠WARNING:** The workpiece must be secured firmly against the turn base and guide fence with the vise during all operations. If the workpiece is not properly secured against the fence, the material may move during the cutting operation causing possible damage to the saw blade, causing the material to be thrown and loss of control resulting in serious personal injury.

The vertical vise can be installed into either the left or right side of the base and sub base. Insert the vise rod into the hole in the base or sub base.

► **Fig.49:** 1. Vertical vise 2. Hole for vertical vise 3. Sub base 4. Base

► **Fig.50:** 1. Vise arm 2. Vise rod 3. Clamping screw 4. Vise knob

Position the vise arm according to the thickness and shape of the workpiece and secure the vise arm by tightening the screw. If the clamping screw contacts the carriage, install the vertical vise to the sub base or the opposite side on the base. Make sure that no part of the tool contacts the vise when lowering the handle all the way. If some part contacts the vise, re-position the vise. Press the workpiece flat against the guide fence and the turn base. Position the workpiece at the desired cutting position and secure it firmly by tightening the vise knob.

**NOTE:** For a quick setting of workpiece, turning the vise knob to 90° counterclockwise allows the vise knob to be moved up and down. To secure the workpiece after setting, turn the vise knob clockwise.

## Horizontal vise

### Optional accessory

**⚠WARNING:** Always rotate the vise nut clockwise until the workpiece is properly secured. If the workpiece is not properly secured, the material may move during the cutting operation causing possible damage to the circular saw blade, causing the material to be thrown and loss of control resulting in serious personal injury.

**⚠WARNING:** When cutting a thin workpiece, such as base boards, against the fence, always use the horizontal vise.

**⚠CAUTION:** When cutting the workpiece of the thickness 20 mm or thinner, make sure to use a spacer block to secure the workpiece.

The horizontal vise can be installed in either the left or right side of the base. When performing 22.5° or greater miter cuts, install the horizontal vise in the side opposed to the direction in which the turn base is to be turned.

► **Fig.51:** 1. Vise plate 2. Vise nut 3. Vise knob

By flipping the vise nut counterclockwise, the vise is released, and rapidly moves in and out. To grip the workpiece, push the vise knob forward until the vise plate contacts the workpiece and flip the vise nut clockwise. Then turn the vise knob clockwise to secure the workpiece.

**NOTE:** The maximum width of workpiece which can be secured by the horizontal vise is 228 mm.

## Sub base

**⚠WARNING:** Always support a long workpiece so it is level with the top surface of the turn base for an accurate cut and to prevent dangerous loss of tool control. Proper workpiece support will help avoid blade pinch and possible kickback which may result in serious personal injury.

**⚠WARNING:** Before the cutting operation, always be sure that the sub bases are secured by the screws.

To hold long workpieces horizontally, sub bases are provided on both sides of the tool. Loosen the screws and extend the sub bases to the appropriate length for holding the workpiece. Then tighten the screws.

► **Fig.52:** 1. Sub base 2. Screw

When cutting, place the workpiece flat against the guide fence and the sub fence on the sub base.

► **Fig.53:** 1. Guide fence 2. Sub fence 3. Sub base

## OPERATION

This tool is intended to cut wood products. With appropriate Makita genuine saw blades, following materials can also be sawed :

— Aluminum products

Refer to our website or contact your local Makita dealer for the correct circular saw blades to be used for the material to be cut.

**⚠WARNING:** Make sure the saw blade is not contacting the workpiece, etc. before the switch is turned on. Turning the tool on with the blade in contact with the workpiece may result in kickback and serious personal injury.

**⚠WARNING:** After a cutting operation, do not raise the saw blade until it has come to a complete stop. The raising of a coasting blade may result in serious personal injury and damage to the workpiece.

**⚠WARNING:** Do not perform any adjustment such as turning grip, knob, and levers on the tool while the saw blade is rotating. Adjustment while the blade is rotating may result in serious personal injury.

**NOTICE:** Before use, be sure to unlock the stopper pin and release the handle from the lowered position.

**NOTICE:** Do not apply excessive pressure on the handle when cutting. Too much force may result in overload of the motor and/or decreased cutting efficiency. Press down handle with only as much force as necessary for smooth cutting and without significant decrease in blade speed.

**NOTICE:** Gently press down the handle to perform the cut. If the handle is pressed down with force or if lateral force is applied, the blade may vibrate and leave a mark (saw mark) in the workpiece and the precision of the cut may be impaired.

**NOTICE:** During a slide cut, gently push the carriage toward the guide fence without stopping. If the carriage movement is stopped during the cut, a mark will be left in the workpiece and the precision of the cut will be impaired.

## Press cutting

**⚠WARNING:** Always lock the sliding movement of the carriage when performing a press cutting. Cutting without lock may cause possible kickback which may result in serious personal injury.

Workpieces up to 92 mm high and 183 mm wide can be cut in the following manner.

► **Fig.54:** 1. Stopper pin

1. Push the carriage toward the guide fence until it stops and lock it with the stopper pin.
2. Secure the workpiece with the proper type of vise.
3. Switch on the tool without the circular saw blade making any contact and wait until the circular saw blade attains full speed before lowering.
4. Gently lower the handle to the fully lowered position to cut the workpiece.
5. When the cut is completed, switch off the tool and wait until the circular saw blade has come to a complete stop before returning the circular saw blade to its fully elevated position.

## Slide (push) cutting (cutting wide workpieces)

**⚠ WARNING:** Whenever performing a slide cut, first pull the carriage full towards you and press the handle all the way down, then push the carriage toward the guide fence. Never start the cut with the carriage not pulled fully toward you. If you perform the slide cut without the carriage pulled fully toward you, unexpected kickback may occur and serious personal injury may result.

**⚠ WARNING:** Never attempt to perform a slide cut by pulling the carriage towards you. Pulling the carriage towards you while cutting may cause unexpected kickback resulting in possible serious personal injury.

**⚠ WARNING:** Never perform the slide cut with the handle locked in the lowered position.

► Fig.55: 1. Stopper pin

1. Unlock the stopper pin so that the carriage can slide freely.
2. Secure the workpiece with the proper type of vise.
3. Pull the carriage toward you fully.
4. Switch on the tool without the saw blade making any contact and wait until the saw blade attains full speed.
5. Press the handle down and **push the carriage toward the guide fence and through the workpiece.**
6. When the cut is completed, switch off the tool and **wait until the saw blade has come to a complete stop** before returning the blade to its fully elevated position.

## Miter cutting

Refer to the section for adjusting the miter angle.

## Bevel cutting

**⚠ WARNING:** After setting the blade for a bevel cut, ensure that the carriage and saw blade will have free travel throughout the entire range of the intended cut before operating the tool. Interruption of the carriage or blade travel during the cutting operation may result in kickback and serious personal injury.

**⚠ WARNING:** While making a bevel cut, keep hands out of the path of the saw blade. The angle of the blade may confuse the operator as to the actual blade path while cutting and contact with the blade will result in serious personal injury.

**⚠ WARNING:** The saw blade should not be raised until it has come to a complete stop. During a bevel cut, the piece cut off may come to rest against the saw blade. If the blade is raised while it is rotating, the cut-off piece may be ejected by the blade causing the material to fragment which may result in serious personal injury.

**NOTICE:** When pressing down the handle, apply pressure in parallel with the blade. If a force is applied perpendicularly to the turn base or if the pressure direction is changed during a cut, the precision of the cut will be impaired.

► Fig.56

1. Remove the upper fence on the side that you are going to tilt the carriage.
2. Unlock the stopper pin.
3. Adjust the bevel angle according to the procedure explained in the section for bevel angle adjustment. Then tighten the knob.
4. Secure the workpiece with a vise.
5. Pull the carriage toward you fully.
6. Switch on the tool without the blade making any contact and wait until the blade attains full speed.
7. Gently lower the handle to the fully lowered position while applying pressure in parallel with the blade and **push the carriage toward the guide fence to cut the workpiece.**
8. When the cut is completed, switch off the tool and **wait until the blade has come to a complete stop** before returning the blade to its fully elevated position.

## Compound cutting

Compound cutting is the process in which a bevel angle is made at the same time in which a miter angle is being cut on a workpiece. Compound cutting can be performed at the angle shown in the table.

Miter angle	Bevel angle
Left and Right 0° - 45°	Left and Right 0° - 45°

When performing compound cutting, refer to the section for press cutting, slide (push) cutting, miter cutting and bevel cut.

## Cutting base boards

**⚠ CAUTION:** Make sure to use the horizontal vise (optional accessory) when cutting the base board.

**⚠ CAUTION:** When cutting the workpiece of the thickness 20 mm or thinner, make sure to use a spacer block to secure the workpiece.

When cutting the base board in 45° miter angle, engage the stopper lever to prevent the blade case from contacting the base board. This will keep the clearance between the base board and the blade case when the carriage is fully pushed forward. Refer to the SPECIFICATIONS for base board cutting capacity.

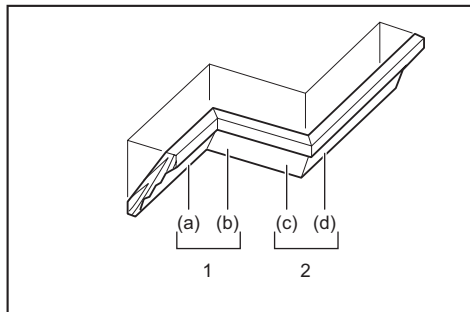
► Fig.57: 1. Stopper lever 2. Spacer block  
3. Horizontal vise

## Cutting crown and cove moldings

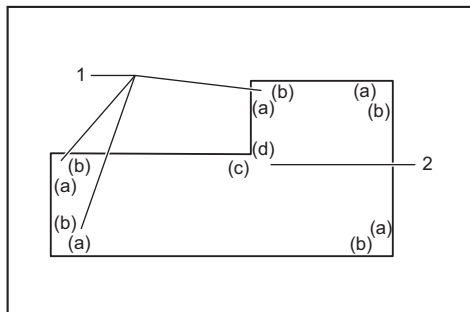
Crown and cove moldings can be cut on a compound miter saw with the moldings laid flat on the turn base. There are two common types of crown moldings and one type of cove moldings; 52/38° wall angle crown molding, 45° wall angle crown molding and 45° wall angle cove molding.

► **Fig.58:** 1. 52/38° type crown molding 2. 45° type crown molding 3. 45° type cove molding

There are crown and cove molding joints which are made to fit "Inside" 90° corners ((a) and (b) in the figure) and "Outside" 90° corners ((c) and (d) in the figure.)



1. Inside corner 2. Outside corner



1. Inside corner 2. Outside corner

## Measuring

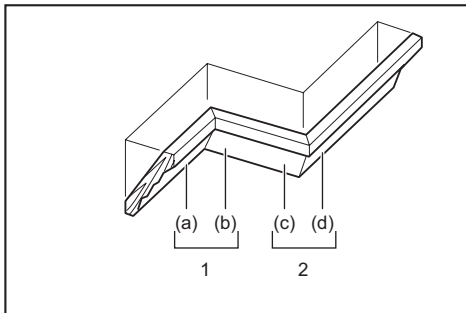
Measure the wall width, and adjust the width of the workpiece according to it. Always make sure that width of the workpiece's wall contact edge is the same as wall length.

► **Fig.59:** 1. Workpiece 2. Wall width 3. Width of the workpiece 4. Wall contact edge

Always use several pieces for test cuts to check the saw angles.

When cutting crown and cove moldings, set the bevel angle and miter angle as indicated in the table (A) and position the moldings on the top surface of the saw base as indicated in the table (B).

## In the case of left bevel cut



1. Inside corner 2. Outside corner

**Table (A)**

-	Molding position in the figure	Bevel angle		Miter angle	
		52/38° type	45° type	52/38° type	45° type
For inside corner	(a)	Left 33.9°	Left 30°	Right 31.6°	Right 35.3°
	(b)			Left 31.6°	Left 35.3°
For outside corner	(c)			Right 31.6°	Right 35.3°
	(d)			Right 31.6°	Right 35.3°

**Table (B)**

-	Molding position in the figure	Molding edge against guide fence	Finished piece
For inside corner	(a)	Ceiling contact edge should be against guide fence.	Finished piece will be on the Left side of blade.
	(b)	Wall contact edge should be against guide fence.	
For outside corner	(c)	Wall contact edge should be against guide fence.	Finished piece will be on the Right side of blade.
	(d)	Ceiling contact edge should be against guide fence.	

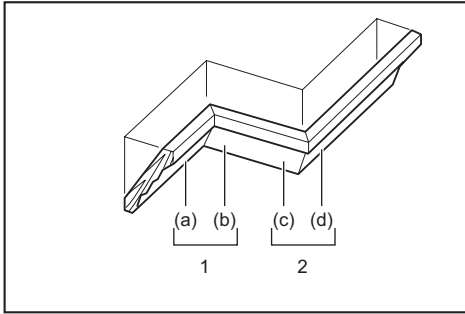
Example:

In the case of cutting 52/38° type crown molding for position (a) in the above figure:

- Tilt and secure bevel angle setting to 33.9° LEFT.
- Adjust and secure miter angle setting to 31.6° RIGHT.
- Lay crown molding with its broad back (hidden) surface down on the turn base with its CEILING CONTACT EDGE against the guide fence on the saw.
- The finished piece to be used will always be on the LEFT side of the blade after the cut has been made.



## In the case of right bevel cut



1. Inside corner 2. Outside corner

Table (A)

–	Molding position in the figure	Bevel angle		Miter angle	
		52/38° type	45° type	52/38° type	45° type
For inside corner	(a)	Right 33.9°	Right 30°	Right 31.6°	Right 35.3°
	(b)			Left 31.6°	Left 35.3°
For outside corner	(c)			Right 31.6°	Right 35.3°
	(d)				

Table (B)

–	Molding position in the figure	Molding edge against guide fence	Finished piece
For inside corner	(a)	Wall contact edge should be against guide fence.	Finished piece will be on the Right side of blade.
	(b)	Ceiling contact edge should be against guide fence.	
For outside corner	(c)	Wall contact edge should be against guide fence.	Finished piece will be on the Left side of blade.
	(d)	Ceiling contact edge should be against guide fence.	

Example:

In the case of cutting 52/38° type crown molding for position (a) in the above figure:

- Tilt and secure bevel angle setting to 33.9° RIGHT.
- Adjust and secure miter angle setting to 31.6° RIGHT.
- Lay crown molding with its broad back (hidden) surface down on the turn base with its WALL CONTACT EDGE against the guide fence on the saw.
- The finished piece to be used will always be on the RIGHT side of the blade after the cut has been made.

## Crown molding stopper

### Optional accessory

Crown molding stoppers allow easier cuts of crown molding without tilting the saw blade. Install them on the turn base as shown in the figures.

### At right 45° miter angle

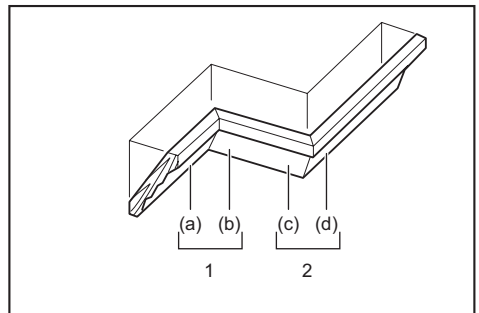
► Fig.60: 1. Crown molding stopper L 2. Crown molding stopper R 3. Turn base 4. Guide fence

### At left 45° miter angle

► Fig.61: 1. Crown molding stopper L 2. Crown molding stopper R 3. Turn base 4. Guide fence

Position crown molding with its WALL CONTACT EDGE against the guide fence and its CEILING CONTACT EDGE against the crown molding stoppers as shown in the figure. Adjust the crown molding stoppers according to the size of the crown molding. Tighten the screws to secure the crown molding stoppers. Refer to the table (C) for the miter angle.

► Fig.62: 1. Guide fence 2. Crown molding stopper



1. Inside corner 2. Outside corner

Table (C)

–	Molding position in the figure	Miter angle	Finished piece
For inside corner	(a)	Right 45°	Save the right side of blade
	(b)	Left 45°	Save the left side of blade
For outside corner	(c)		Save the right side of blade
	(d)	Right 45°	Save the left side of blade

## Cutting aluminum extrusion

► Fig.63: 1. Vise 2. Spacer block 3. Guide fence 4. Aluminum extrusion 5. Spacer block

When securing aluminum extrusions, use spacer blocks or pieces of scrap as shown in the figure to prevent deformation of the aluminum. Use a cutting lubricant when cutting the aluminum extrusion to prevent build-up of the aluminum material on the circular saw blade.



**⚠ WARNING: Never attempt to cut thick or round aluminum extrusions.** Thick or round aluminum extrusions can be difficult to secure and the work may loosen during the cutting operation which may result in loss of control and serious personal injury.

## Special max width cutting capacities technique

The maximum cutting capacity of width can be achieved by following the steps below:

For the maximum cutting width of this tool, refer to the cutting capacities for special cuttings in the SPECIFICATIONS section.

1. Set the tool at 0° or 45° miter angle and make sure that the turn base is locked. (Refer to the section for miter angle adjustment.)
2. Remove both right and left upper fences temporarily and set aside them.
3. Cut a platform to the dimensions indicated in the figure using a 38 mm thick, flat stock material such as wood, plywood or particle board.

► **Fig.64:** 1. 0° Miter angle: Over 450 mm 2. 45° Miter angle: Over 325 mm 3. 38 mm 4. Over 760 mm

**⚠ WARNING: Be sure to use flat stock as a platform.** Stock that is not flat may move during the cutting operation which may result in kickback and serious personal injury.

**NOTE:** The maximum cutting capacity in height will be reduced by the same amount as the platform thickness.

4. Place the platform on the tool so that it extends equally over each side of the tool base. Secure the platform to the tool using four 6 mm wood screws through four holes in the lower fences.

► **Fig.65:** 1. Screws (two each side) 2. Lower fence 3. Base 4. Platform

**⚠ WARNING: Make sure that the platform is laying flat against the tool base and secured firmly to the lower fences using the four screw holes provided.** Failure to properly secure the platform may result in movement and possible kickback resulting in serious personal injury.

**⚠ WARNING: Ensure that the tool is firmly mounted to a stable and flat surface.** Failure to properly mount and secure the tool could cause the tool to be unstable resulting in a loss of control and/or the tool falling which may result in serious personal injury.

5. Install the upper fences on the tool.

**⚠ WARNING: Do not use the tool without upper fences installed.** The upper fences provide the adequate support required to cut the workpiece. If the workpiece is not supported properly, it may move resulting in possible loss of control, kickback and serious personal injury.

6. Place the workpiece to be cut on the platform secured to the tool.

7. Secure the workpiece firmly against the upper fences with a vise before cutting.

► **Fig.66:** 1. Upper fence 2. Vertical vise 3. Workpiece 4. Platform

8. Make a cut through the workpiece slowly according to the operation explained in the section for slide (push) cutting.

**⚠ WARNING: Ensure that the workpiece is secured with the vise and make the cut slowly.** Failure to do so may cause the workpiece to move resulting in possible kickback and serious personal injury.

**⚠ WARNING: Be aware that the platform may become weakened after several cuts are performed at various miter angles.** If the platform becomes weakened due to the multiple kerf cuts left in the material, the platform should be replaced. If the weakened platform is not replaced, it may cause the workpiece to move, during cutting, resulting in possible kickback and serious personal injury.

## Groove cutting

**⚠ WARNING: Do not attempt to perform this type of cut by using a wider type blade or dado blade.** Attempting to make a groove cut with a wider blade or dado blade could lead to unexpected cutting results and kickback which may result in serious personal injury.

**⚠ WARNING: Be sure to return the stopper arm to the original position when performing other than groove cutting.** Attempting to make cuts with the stopper arm in the incorrect position could lead to unexpected cutting results and kickback which may result in serious personal injury.

For a dado type cut, perform as follows:

1. Adjust the lower limit position of the circular saw blade using the adjusting screw and the stopper arm to limit the cutting depth of the circular saw blade. Refer to the section for stopper arm.

2. After adjusting the lower limit position of the circular saw blade, cut parallel grooves across the width of the workpiece using a slide (push) cut.

► **Fig.67:** 1. Cut grooves with blade

3. Remove the workpiece material between the grooves with a chisel.

## Wood facing

**⚠ WARNING: Use screws to attach the wood facing to the guide fence. The screws should be installed so that the screw heads are below the surface of the wood facing so that they will not interfere with the positioning of the material being cut.** Misalignment of the material being cut can cause unexpected movement during the cutting operation which may result in a loss of control and serious personal injury.

**CAUTION:** Use straight wood of even thickness for the wood facing.

**CAUTION:** In order to completely cut through workpieces with a height of 107 mm to 120 mm, a wood facing should be used on the guide fence. The wood facing will space the workpiece away from the fence allowing the blade to complete a deeper cut.

**NOTICE:** When the wood facing is attached, do not turn the turn base with the handle lowered. The blade and/or the wood facing will be damaged.

Use of wood facing helps to assure splinter-free cuts in workpieces. Attach a wood facing to the guide fence using the holes in the guide fence and 6 mm screws. See the figure concerning the dimensions for a suggested wood facing.

► **Fig.68:** 1. Hole 2. Over 15 mm 3. Over 270 mm  
4. 90 mm 5. 145 mm 6. 19 mm 7. 115 - 120 mm

**EXAMPLE** When cutting workpieces 115 mm and 120 mm high, use a wood facing with the following thickness.

Miter angle	Thickness of wood facing	
	115 mm	120 mm
0°	20 mm	38 mm
Left and Right 45°	15 mm	25 mm
Left and Right 60°	15 mm	25 mm

## Carrying tool

Before carrying the tool, be sure to remove the battery cartridge and all movable parts of the miter saw are secured. Always check the following:

- The battery cartridge is removed.
- The carriage is at 0° bevel angle position and secured.
- The carriage is lowered and locked.
- The carriage is fully slid to the guide fences and locked.
- The turn base is at the full right miter angle position and secured.
- The sub bases are stored and secured.

Carry the tool by holding both sides of the tool base.  
► **Fig.69**

**WARNING:** Stopper pin for carriage elevation is for carrying and storage purposes only and not for any cutting operations. The use of the stopper pin for cutting operations may cause unexpected movement of the circular saw blade resulting in kick-back and serious personal injury.

**CAUTION:** Always secure all moving portions before carrying the tool. If portions of the tool move or slide while being carried, loss of control or balance may occur and result in personal injury.

**CAUTION:** Be sure that the carriage elevation is properly locked at its bottom by the stopper pin. If the stopper pin is not engaged properly, the carriage may jump up suddenly and cause personal injury.

## WIRELESS ACTIVATION FUNCTION

### What you can do with the wireless activation function

The wireless activation function enables clean and comfortable operation. By connecting a supported vacuum cleaner to the tool, you can run the vacuum cleaner automatically along with the switch operation of the tool.

► **Fig.70**

To use the wireless activation function, prepare following items:

- A wireless unit (optional accessory)
- A vacuum cleaner which supports the wireless activation function

The overview of the wireless activation function setting is as follows. Refer to each section for detail procedures.

1. Installing the wireless unit
2. Tool registration for the vacuum cleaner
3. Starting the wireless activation function

### Installing the wireless unit

#### Optional accessory

**CAUTION:** Place the tool on a flat and stable surface when installing the wireless unit.

**NOTICE:** Clean the dust and dirt on the tool before installing the wireless unit. Dust or dirt may cause malfunction if it comes into the slot of the wireless unit.

**NOTICE:** To prevent the malfunction caused by static, touch a static discharging material, such as a metal part of the tool, before picking up the wireless unit.

**NOTICE:** When installing the wireless unit, always be sure that the wireless unit is inserted in the correct direction and the lid is completely closed.

1. Open the lid on the tool as shown in the figure.  
► **Fig.71:** 1. Lid
2. Insert the wireless unit to the slot and then close the lid.

When inserting the wireless unit, align the projections with the recessed portions on the slot.

- **Fig.72:** 1. Wireless unit 2. Projection 3. Lid  
4. Recessed portion

When removing the wireless unit, open the lid slowly. The hooks on the back of the lid will lift the wireless unit as you pull up the lid.

- **Fig.73:** 1. Wireless unit 2. Hook 3. Lid

After removing the wireless unit, keep it in the supplied case or a static-free container.

**NOTICE:** Always use the hooks on the back of the lid when removing the wireless unit. If the hooks do not catch the wireless unit, close the lid completely and open it slowly again.

## Tool registration for the vacuum cleaner

**NOTE:** A Makita vacuum cleaner supporting the wireless activation function is required for the tool registration.

**NOTE:** Finish installing the wireless unit to the tool before starting the tool registration.

**NOTE:** Avoid turning the following switches on during tool registration:

- switch trigger on the tool
- vacuum switch on the tool
- power switch on the vacuum cleaner

**NOTE:** Refer to the instruction manual of the vacuum cleaner, too.

If you wish to activate the vacuum cleaner along with the switch operation of the tool, finish the tool registration beforehand.

1. Install the batteries to the vacuum cleaner and the tool.
2. Set the stand-by switch on the vacuum cleaner to "AUTO".  
► **Fig.74:** 1. Stand-by switch

3. Press the wireless activation button on the vacuum cleaner for 3 seconds until the wireless activation lamp blinks in green. And then press the wireless activation button on the tool in the same way.

- **Fig.75:** 1. Wireless activation button 2. Wireless activation lamp

If the vacuum cleaner and the tool are linked successfully, the wireless activation lamps will light up in green for 2 seconds and start blinking in blue.

**NOTE:** The wireless activation lamps finish blinking in green after 20 seconds elapsed. Press the wireless activation button on the tool while the wireless activation lamp on the cleaner is blinking. If the wireless activation lamp does not blink in green, push the wireless activation button briefly and hold it down again.

**NOTE:** When performing two or more tool registrations for one vacuum cleaner, finish the tool registration one by one.

## Starting the wireless activation function

**NOTE:** Finish the tool registration for the vacuum cleaner prior to the wireless activation.

**NOTE:** Refer to the instruction manual of the vacuum cleaner, too.

After registering a tool to the vacuum cleaner, the vacuum cleaner will automatically runs along with the switch operation of the tool. Pull the switch trigger on the tool to function the vacuum cleaner during operation. The vacuum cleaner also starts to function by pressing the vacuum button on the tool out of any cutting operation.

- **Fig.76**

1. Install the wireless unit to the tool.
2. Connect the hose of the vacuum cleaner with the tool.

- **Fig.77**

3. Set the stand-by switch on the vacuum cleaner to "AUTO".

- **Fig.78:** 1. Stand-by switch

4. Push the wireless activation button on the tool briefly. The wireless activation lamp will blink in blue.

- **Fig.79:** 1. Wireless activation button 2. Wireless activation lamp

5. Pull the switch trigger of the tool. Check if the vacuum cleaner runs while the switch trigger is being pulled.

6. Press the vacuum button to function the vacuum cleaner. Check if the wireless activation lamp lights up in blue and the cleaner keeps running until you press the button again.

7. To cease vacuum operation, either release the switch trigger or press the vacuum button again. The vacuum cleaner stops running a few seconds after the switch operation, and then the lamp turns to blink in blue.

**NOTE:** Switch status (turning the cleaner on/off) can be learned in the wireless activation lamp. For details, refer to the section for description of the wireless activation lamp status.

8. To stop the wireless activation of the vacuum cleaner, push the wireless activation button on the tool.

**NOTE:** The wireless activation lamp on the tool will stop blinking in blue when there is no operation for 2 hours. In this case, set the stand-by switch on the vacuum cleaner to "AUTO" and push the wireless activation button on the tool again.

**NOTE:** The vacuum cleaner starts/stops with a delay. There is a time lag when the vacuum cleaner detects a switch operation of the tool.

**NOTE:** The transmission distance of the wireless unit may vary depending on the location and surrounding circumstances.

**NOTE:** When two or more tools are registered to one vacuum cleaner, the vacuum cleaner may start running even if you do not pull the switch trigger or turn on the vacuum button because another user is using the wireless activation function.

## Description of the wireless activation lamp status

### ► Fig.80: 1. Wireless activation lamp

The wireless activation lamp shows the status of the wireless activation function. Refer to the table below for the meaning of the lamp status.

Status	Wireless activation lamp			Duration	Description
	Color	On	Blinking		
Standby	Blue	<input type="checkbox"/>	<input checked="" type="checkbox"/>	2 hours	The wireless activation of the vacuum cleaner is available. The lamp will automatically turn off when no operation is performed for 2 hours.
		<input checked="" type="checkbox"/>	<input type="checkbox"/>	When the tool is running.	The wireless activation of the vacuum cleaner is available and the tool is running.
Tool registration	Green	<input type="checkbox"/>	<input checked="" type="checkbox"/>	20 seconds	Ready for the tool registration. Waiting for the registration by the vacuum cleaner.
		<input checked="" type="checkbox"/>	<input type="checkbox"/>	2 seconds	The tool registration has been finished. The wireless activation lamp will start blinking in blue.
Cancelling tool registration	Red	<input type="checkbox"/>	<input checked="" type="checkbox"/>	20 seconds	Ready for the cancellation of the tool registration. Waiting for the cancellation by the vacuum cleaner.
		<input checked="" type="checkbox"/>	<input type="checkbox"/>	2 seconds	The cancellation of the tool registration has been finished. The wireless activation lamp will start blinking in blue.
Others	Red	<input type="checkbox"/>	<input checked="" type="checkbox"/>	3 seconds	The power is supplied to the wireless unit and the wireless activation function is starting up.
	Off	-	-	-	The wireless activation of the vacuum cleaner is stopped.

## Cancelling tool registration for the vacuum cleaner

Perform the following procedure when cancelling the tool registration for the vacuum cleaner.

1. Install the batteries to the vacuum cleaner and the tool.
2. Set the stand-by switch on the vacuum cleaner to "AUTO".

### ► Fig.81: 1. Stand-by switch

3. Press the wireless activation button on the vacuum cleaner for 6 seconds. The wireless activation lamp blinks in green and then become red. After that, press the wireless activation button on the tool in the same way.

### ► Fig.82: 1. Wireless activation button 2. Wireless activation lamp

If the cancellation is performed successfully, the wireless activation lamps will light up in red for 2 seconds and start blinking in blue.

**NOTE:** The wireless activation lamps finish blinking in red after 20 seconds elapsed. Press the wireless activation button on the tool while the wireless activation lamp on the cleaner is blinking. If the wireless activation lamp does not blink in red, push the wireless activation button briefly and hold it down again.

## Troubleshooting for wireless activation function

Before asking for repairs, conduct your own inspection first. If you find a problem that is not explained in the manual, do not attempt to dismantle the tool. Instead, ask Makita Authorized Service Centers, always using Makita replacement parts for repairs.

State of abnormality	Probable cause (malfunction)	Remedy
The wireless activation lamp does not light/blink.	The wireless unit is not installed into the tool. The wireless unit is improperly installed into the tool.	Install the wireless unit correctly.
	The terminal of the wireless unit and/or the slot is dirty.	Gently wipe off dust and dirt on the terminal of the wireless unit and clean the slot.
	The wireless activation button on the tool has not been pushed.	Push the wireless activation button on the tool briefly.
	The stand-by switch on the vacuum cleaner is not set to "AUTO".	Set the stand-by switch on the vacuum cleaner to "AUTO".
	No power supply	Supply the power to the tool and the vacuum cleaner.
Cannot finish tool registration / cancelling tool registration successfully.	The wireless unit is not installed into the tool. The wireless unit is improperly installed into the tool.	Install the wireless unit correctly.
	The terminal of the wireless unit and/or the slot is dirty.	Gently wipe off dust and dirt on the terminal of the wireless unit and clean the slot.
	The stand-by switch on the vacuum cleaner is not set to "AUTO".	Set the stand-by switch on the vacuum cleaner to "AUTO".
	No power supply	Supply the power to the tool and the vacuum cleaner.
	Incorrect operation	Push the wireless activation button briefly and perform the tool registration/cancellation procedures again.
	The tool and vacuum cleaner are away from each other (out of the transmission range).	Get the tool and vacuum cleaner closer to each other. The maximum transmission distance is approximately 10 m however it may vary according to the circumstances.
	Before finishing the tool registration/cancellation; - the switch trigger on the tool is pulled or; - the vacuuming button on the tool is turned on or; - the power button on the vacuum cleaner is turned on.	Push the wireless activation button briefly and perform the tool registration/cancellation procedures again.
	The tool registration procedures for the tool or vacuum cleaner have not finished.	Perform the tool registration procedures for both the tool and the vacuum cleaner at the same timing.
Radio disturbance by other appliances which generate high-intensity radio waves.	Keep the tool and vacuum cleaner away from the appliances such as Wi-Fi devices and microwave ovens.	

State of abnormality	Probable cause (malfunction)	Remedy
The vacuum cleaner does not run along with the switch operation of the tool.	The wireless unit is not installed into the tool. The wireless unit is improperly installed into the tool.	Install the wireless unit correctly.
	The terminal of the wireless unit and/or the slot is dirty.	Gently wipe off dust and dirt on the terminal of the wireless unit and clean the slot.
	The wireless activation button on the tool has not been pushed.	Push the wireless activation button briefly and make sure that the wireless activation lamp is blinking in blue.
	The stand-by switch on the vacuum cleaner is not set to "AUTO".	Set the stand-by switch on the vacuum cleaner to "AUTO".
	More than 10 tools are registered to the vacuum cleaner.	Perform the tool registration again. If more than 10 tools are registered to the vacuum cleaner, the tool registered earliest will be cancelled automatically.
	The vacuum cleaner has failed to register tools successfully.	Renew tool registrations.
	The vacuum cleaner erased all tool registrations.	Perform the tool registration again.
	No power supply	Supply the power to the tool and the vacuum cleaner.
	The tool and vacuum cleaner are away from each other (out of the transmission range).	Get the tool and vacuum cleaner closer each other. The maximum transmission distance is approximately 10 m however it may vary according to the circumstances.
	Radio disturbance by other appliances which generate high-intensity radio waves.	Keep the tool and vacuum cleaner away from the appliances such as Wi-Fi devices and microwave ovens.
The vacuum cleaner runs while no switches for the tool are in operation.	Other users are using the wireless activation of the vacuum cleaner with their tools.	Turn off the wireless activation button of the other tools or cancel the tool registration of the other tools.

## MAINTENANCE

**⚠ WARNING:** Always be sure that the tool is switched off and the battery cartridge is removed before attempting to perform inspection or maintenance. Failure to removing the battery cartridge and switch off the tool may result in accidental start up of the tool which may result in serious personal injury.

**⚠ WARNING:** Always be sure that the circular saw blade is sharp and clean for the best and safest performance. Attempting a cut with a dull and /or dirty blade may cause kickback and result in a serious personal injury.

**⚠ CAUTION:** Always be sure that the blade guard is being closed in the original position before attempting to perform inspection or maintenance. Never clamp or tie the blade guard into the open position during cleaning operations. An exposed blade may result in personal injury.

**NOTICE:** Never use gasoline, benzine, thinner, alcohol or the like. Discoloration, deformation or cracks may result.

To maintain product SAFETY and RELIABILITY, repairs, any other maintenance or adjustment should be performed by Makita Authorized or Factory Service Centers, always using Makita replacement parts.

## Adjusting the cutting angle

This tool is carefully adjusted and aligned at the factory, but rough handling may have affected the alignment. If your tool is not aligned properly, perform the following:

### Miter angle

Lower the handle fully and lock it in the lowered position with the stopper pin. Push the carriage towards the guide fence.

Rotate the grip counterclockwise and have the turn base ready for the positive stop function using the lock lever.

Then loosen the screws which secure the pointer and miter angle scale.

► **Fig.83:** 1. Grip 2. Lock lever 3. Screw on pointer 4. Screws on miter angle scale 5. Miter angle scale

Set the turn base to the 0° position using the positive stop function. Square the side of the circular saw blade with the face of the guide fence using a triangular rule or try-square. While keeping the square, tighten the screws on the miter angle scale. After that, align the pointers (both right and left) with the 0° position in the miter angle scale and then tighten the screw on the pointer.

► **Fig.84:** 1. Triangular rule 2. Pointer

## Bevel angle

### 0° bevel angle

Push the carriage towards the guide fences and lock the sliding movement with the stopper pin. Lower the carriage fully and lock it in the lowered position with the stopper pin. Rotate the knob counterclockwise, and then turn the 0° adjusting bolt through two or three revolutions counterclockwise to tilt the circular saw blade to the right.

► **Fig.85:** 1. Knob 2. 0° Adjusting bolt 3. Screw on the pointer

Carefully square the side of the circular saw blade with the top surface of the turn base using the triangular rule, try-square, etc. by turning the 0° adjusting bolt clockwise. Then tighten the knob firmly to secure the 0° angle you have set.

► **Fig.86:** 1. Triangular rule 2. Saw blade 3. Top surface of turn base

Check if the side of the circular saw blade squares with the turn base surface once again. Loosen the screw on the pointer. Align the pointer with 0° position in the bevel angle scale and then tighten the screw.

### 45° bevel angle

**NOTICE:** Before adjusting the 45° bevel angle, finish 0° bevel angle adjustment.

Loosen the knob and fully tilt the carriage to the side that you want to check. Check if the pointer indicates the 45° position in the bevel angle scale.

► **Fig.87:** 1. Knob

If the pointer does not indicate the 45° position, align it with the 45° position by turning the adjusting bolt in the bevel angle scale on the opposite side of the base.

► **Fig.88:** 1. Left 45° adjusting bolt 2. Right 45° adjusting bolt

## Adjusting the sub fences

Adjust the sub fences on the sub bases if they are not aligned with guide fences.

1. Loosen the bolts securing the sub fences using the hex wrench.
2. Place a straight rigid bar, such as a square steel member, flat against the guide fences.
3. While the bar is flat against the guide fences, place the sub fences so that the face of the sub fence becomes flat against the bar. After that, tighten the bolts.

► **Fig.89:** 1. Bolt 2. Sub fence 3. Guide fence 4. Rigid bar

## Cleaning lamp lens

**CAUTION:** Always remove the circular saw blade before cleaning the lamp lens.

**NOTICE:** Do not remove the screw which secures the lens. If the lens does not come out, loosen the screw further.

**NOTICE:** Use a dry cloth to wipe the dirt off the lens of the lamp. Be careful not to scratch the lens of lamp, or it may lower the illumination.

**NOTICE:** Do not use solvents or any petroleum-based cleaners on the lens.

The LED light becomes hard to see as the lens for the light gets dirty. Clean the lens at regular intervals. Remove the battery cartridge. Loosen the screw and pull out the lens. Clean the lens gently with a damp soft cloth.

► **Fig.90:** 1. Screw 2. Lens

## After use

After use, wipe off chips and dust adhering to the tool with a cloth or the like. Keep the blade guard clean according to the directions in the previously covered section titled "Blade guard". Lubricate the sliding portions with machine oil to prevent rust.

## OPTIONAL ACCESSORIES

**WARNING:** These Makita accessories or attachments are recommended for use with your Makita tool specified in this manual. The use of any other accessories or attachments may result in serious personal injury.

**WARNING:** Only use the Makita accessory or attachment for its stated purpose. Misuse of an accessory or attachment may result in serious personal injury.

If you need any assistance for more details regarding these accessories, ask your local Makita Service Center.

- Carbide-tipped saw blades
- Vertical vise
- Horizontal vise
- Crown molding stopper set
- Dust bag
- Triangular rule
- Hex wrench
- Wireless unit
- Stand set
- Makita genuine battery and charger

**NOTE:** Some items in the list may be included in the tool package as standard accessories. They may differ from country to country.



## 规格

型号:	<b>LS003G</b>	
锯片直径	欧洲国家	305 mm
	非欧洲国家	305 mm
内孔直径	欧洲国家	30 mm
	非欧洲国家	30 mm或25.4 mm (规格因国家而异)
锯片的最大锯槽厚度	3.2 mm	
最大斜接角度	右60°, 左60°	
最大斜切角度	右48°, 左48°	
空载速度 (RPM)	3,600/min	
尺寸 (长 × 宽 × 高)	898 mm × 690 mm × 725 mm	
额定电压	D.C. 36 V - 40 V (最大)	
净重	30.5 - 31.1 kg	

## 切割能力 (高 × 宽)

斜接角度			斜切角度		
			45° (左)	0°	45° (右)
0°	-	-	61 mm × 382 mm 71 mm × 363 mm	92 mm x 382 mm 107 mm × 363 mm	44 mm × 382 mm 54 mm x 363 mm
	导板导向板上 木衬片的厚度 (用于增加切 割高度)	20 mm	78 mm × 325 mm	115 mm × 325 mm	61 mm × 325 mm
		38 mm	80 mm × 292 mm	120 mm × 292 mm	-
45° (右 和左)	-	-	61 mm × 268 mm 71 mm × 255 mm	92 mm x 268 mm 107 mm x 255 mm	44 mm x 268 mm 54 mm x 255 mm
	导板导向板上 木衬片的厚度 (用于增加切 割高度)	15 mm	-	115 mm × 227 mm	-
		25 mm		120 mm × 212 mm	
60° (右 和左)	-	-	-	92 mm x 185 mm 107 mm x 178 mm	-
	导板导向板上 木衬片的厚度 (用于增加切 割高度)	15 mm		115 mm × 155 mm	
		25 mm		120 mm × 140 mm	

## 特定切割的切割能力

切割类型	切割能力
45°顶角线 (使用顶角线止动器)	203 mm
踢脚板 (使用水平虎钳)	171 mm

- 生产者保留变更规格不另行通知之权利。
- 规格可能因销往国家之不同而异。
- 重量因附件(包括电池组)而异。根据EPTA-Procedure 01/2014, 最重与最轻的组合见表格。

## 适用电池组和充电器

电池组	BL4020 / BL4025 / BL4040* / BL4050F* *: 建议使用的电池
充电器	DC40RA / DC40RB / DC40RC

- 部分以上所列电池组和充电器是否适用视用户所在地区而异。

**警告：** 请仅使用以上所列电池组和充电器。使用其他类型的电池组或充电器可能会导致人身伤害和/或失火。

## 符号

以下显示本设备可能会使用的符号。在使用工具之前, 请务必理解其含义。



阅读使用说明书。



佩带安全眼镜。



为了避免飞溅的碎片造成人身伤害, 切割后请保持锯片头朝下, 直至锯片完全停止。



执行斜切角切割时, 先逆时针转动旋钮, 再倾斜刀架。然后再顺时针转动旋钮以固定。



进行滑动切割时, 请首先将刀架完全拉向自身并向下按压把手, 然后将刀架推向导板导向板。



向右倾斜刀架时按住释放按钮。



以45°斜接角度切割踢脚板时, 请使用止动杆。



请勿将手或手指靠近锯片。



请勿直视处于工作状态的灯具。



A: 锯片直径

B: 孔直径



请勿向着斜切角切割的相同方向安装水平虎钳。(该符号适用于水平虎钳)



仅限于欧盟国家

由于本设备中包含有害成分, 因此废弃的电气和电子设备、蓄电池和普通电池可能会对环境和人体健康产生负面影响。请勿将电气和电子工具或电池与家庭普通废弃物放在一起处置!

根据欧洲关于废弃电气电子设备、蓄电池和普通电池的指令及其国家层面的修订法案, 废弃的电气设备、普通电池和蓄电池应当单独存放并递送至城市垃圾收集点, 根据环保法规进行处置。

此规定由标有叉形标志的带轮垃圾桶符号表示。

## 用途

本工具用于木材中精确的笔直和斜接角切割。请勿使用该锯切割木材、铝材或类似材料之外的其他材料。

# 安全警告

## 电动工具通用安全警告

**警告：** 阅读随电动工具提供的所有安全警告、说明、图示和规定。不遵照以下所列说明会导致电击、着火和 / 或严重伤害。

### 保存所有警告和说明书以备查阅。

警告中的术语“电动工具”是指市电驱动（有线）电动工具或电池驱动（无线）电动工具。

#### 工作场地的安全

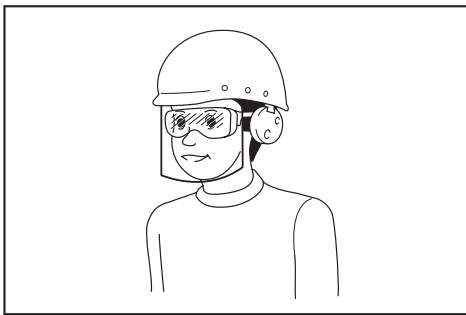
1. 保持工作场地清洁和明亮。杂乱和黑暗的场所会引发事故。
2. 不要在易爆环境，如有易燃液体、气体或粉尘的环境下操作电动工具。电动工具产生的火花会点燃粉尘或气体。
3. 操作电动工具时，远离儿童和旁观者。注意力不集中会使你失去对工具的控制。

#### 电气安全

1. 电动工具插头必须与插座相配。绝不能以任何方式改装插头。需接地的电动工具不能使用任何转换插头。未经改装的插头和相配的插座将降低电击风险。
2. 避免人体接触接地表面，如管道、散热片和冰箱。如果你身体接触接地表面会增加电击风险。
3. 不得将电动工具暴露在雨中或潮湿环境中。水进入电动工具将增加电击风险。
4. 不得滥用软线。绝不能用软线搬运、拉动电动工具或拔出其插头。使软线远离热源、油、锐边或运动部件。受损或缠绕的软线会增加电击风险。
5. 当在户外使用电动工具时，使用适合户外使用的延长线。适合户外使用的电线将降低电击风险。
6. 如果无法避免在潮湿环境中操作电动工具，应使用带有剩余电流装置（RCD）保护的电源。RCD的使用可降低电击风险。
7. 电动工具会产生对用户无害的电磁场（EMF）。但是，起搏器和其他类似医疗设备的用户应在操作本电动工具前咨询其设备的制造商和 / 或医生寻求建议。

#### 人身安全

1. 保持警觉，当操作电动工具时关注所从事的操作并保持清醒。当你感到疲倦，或在有药物、酒精或治疗反应时，不要操作电动工具。在操作电动工具时瞬间的疏忽会导致严重人身伤害。
2. 使用个人防护装置。始终佩戴护目镜。防护装置，诸如适当条件下使用防尘面具、防滑安全鞋、安全帽、听力防护等装置能减少人身伤害。
3. 防止意外启动。在连接电源和/或电池包、拿起或搬运工具前确保开关处于关断位置。手指放在开关上搬运工具或开关处于接通时通电会导致危险。
4. 在电动工具接通之前，拿掉所有调节钥匙或扳手。遗留在电动工具旋转零件上的扳手或钥匙会导致人身伤害。
5. 手不要过分伸展。时刻注意立足点和身体平衡。这样能在意外情况下能更好地控制住电动工具。
6. 着装适当。不要穿宽松衣服或佩戴饰品。让你的头发和衣服远离运动部件。宽松衣服、佩饰或长发可能会卷入运动部件。
7. 如果提供了与排屑、集尘设备连接用的装置，要确保其连接完好且使用得当。使用集尘装置可降低尘屑引起的危险。
8. 不要因为频繁使用工具而产生的熟悉感而掉以轻心，忽视工具的安全准则。某个粗心的动作可能在瞬间导致严重的伤害。
9. 使用电动工具时请始终佩戴护目镜以免伤害眼睛。护目镜须符合美国ANSI Z87.1、欧洲EN 166或者澳大利亚 / 新西兰的AS / NZS 1336的规定。在澳大利亚 / 新西兰，法律要求佩戴面罩保护脸部。



雇主有责任监督工具操作者和其他近工作区域人员佩戴合适的安全防护设备。

## 电动工具使用和注意事项

1. 不要勉强使用电动工具，根据用途使用合适的电动工具。选用合适的按照额定值设计的电动工具会使你工作更有效、更安全。
2. 如果开关不能接通或关断电源，则不能使用该电动工具。不能通过开关来控制电动工具是危险的且必须进行修理。
3. 在进行任何调节、更换附件或贮存电动工具之前，必须从电源上拔掉插头和/或卸下电池包（如可拆卸）。这种防护性的安全措施降低了电动工具意外起动的风险。
4. 将闲置不用的电动工具贮存在儿童所及范围之外，并且不允许不熟悉电动工具和不了解这些说明的人操作电动工具。电动工具在未经培训的使用者手中是危险的。
5. 维护电动工具及其附件。检查运动部件是否调整到位或卡住，检查零件破损情况和影响电动工具运行的其他状况。如有损坏，应在使用前修理好电动工具。许多事故是由维护不良的电动工具引发的。
6. 保持切削刀具锋利和清洁。维护良好地有锋利切削刃的刀具不易卡住而且容易控制。
7. 按照使用说明书，并考虑作业条件和要进行的作业来选择电动工具、附件和工具的刀头等。将电动工具用于那些与其用途不符的操作可能会导致危险情况。
8. 保持手柄和握持表面干燥、清洁，不得沾有油脂。在意外的情况下，湿滑的手柄不能保证握持的安全和对工具的控制。
9. 使用本工具时，请勿佩戴可能会缠绕的布质工作手套。布质工作手套卷入移动部件可能会造成人身伤害。

## 电池式工具使用和注意事项

1. 仅使用生产者规定的充电器充电。将适用于某种电池包的充电器用到其他电池包时可能会发生着火危险。
2. 仅使用配有专用电池包的电动工具。使用其他电池包可能会产生伤害和着火危险。
3. 当电池包不用时，将它远离其他金属物体，例如回形针、硬币、钥匙、钉子、螺钉或其他小金属物体，以防电池包一端与另一端连接。电池组端部短路可能会引起燃烧或着火。

4. 在滥用条件下，液体可能会从电池组中溅出；应避免接触。如果意外碰到液体，用水冲洗。如果液体碰到了眼睛，还应寻求医疗帮助。从电池中溅出的液体可能会发生腐蚀或燃烧。
5. 不要使用损坏或改装过的电池包或工具。损坏或改装过的电池组可能呈现无法预测的结果，导致着火、爆炸或伤害。
6. 不要将电池包暴露于火或高温中。电池包暴露于火或高于130℃的高温中可能导致爆炸。
7. 遵循所有充电说明。不要在说明书中指定的温度范围之外给电池包或电动工具充电。不正确或在指定的温度范围外充电可能会损坏电池和增加着火的风险。

## 维修

1. 让专业维修人员使用相同的备件维修电动工具。这将保证所维修的电动工具的安全。
2. 决不能维修损坏的电池包。电池包仅能由生产者或其授权的维修服务商进行维修。
3. 上润滑油及更换附件时请遵循本说明书指示。

## 斜断锯安全注意事项

1. 斜断锯用于切割木材或仿木产品，不可使用切割砂轮来切割铁质材料，例如钢筋、铁棒和板墙筋等。磨屑导致下部保护罩等运动部件卡滞。砂轮切割产生的火花会烧灼下部保护罩、锯槽嵌入物等塑料部件。
2. 如果可行的话，请使用夹具固定工件。用手固定工件时，双手与锯片两侧至少要保持100 mm以上的距离。切勿使用该锯切割体积太小难以夹紧或难以手持的工件。如果手距离锯片过近，会增加与锯片接触导致受伤的风险。
3. 工件必须固定和夹紧或紧紧抵住导板和工作台。切勿以任何方式将工件向锯片递送或徒手切割。未固定或移动的工件在高速切割时会被甩出，导致人身伤害。
4. 按压锯片穿过工件。切勿抬起锯片穿过工件。要进行切割，请在不切割的状态下提起锯片头，将其拉到工件上方，启动电机，向下按压锯片头使锯片穿过工件。切割过程中抬起锯片会导致锯片爬上工件，致使锯片组件被猛烈甩向操作人员。

5. 切勿将手放在锯片前后所需切割线的上方。以“双手交叉”（左手握持锯片右边部分的工件或右手握持锯片左边部分的工件）的方式固定工件十分危险。
- ▶ 图片1
6. 锯片在旋转时，如需清理木屑或出于其他原因触碰导向板时双手与锯片两侧至少要保持**100 mm**以上的距离。旋转的锯片可能会在较难觉察的情况下接近双手，导致严重的人身伤害。
7. 切割前请检查工件。如果工件弯曲或扭曲，将弯曲面的外侧朝向导板将其夹住。务必始终确保工件、导板和工作台之间在切割线上没有间隙。弯曲或扭曲的工件会扭动或晃动，切割时会对旋转的锯片产生阻力。工件上不得有铁钉等异物。
8. 清理干净工作台上除工件以外的任何其他工具、木屑后方可使用锯片。小碎片或松动的木头片等其他异物接触到旋转的锯片时会被高速甩出。
9. 一次仅可切割一个工件。多个工件堆叠无法被充分夹紧或获得良好支撑，切割期间会对锯片产生阻力或移位。
10. 使用前，确保在水平、稳固的物体表面安装或放置斜断锯。水平、稳固的工作表面会降低斜断锯变得不稳定的风险。
11. 做好施工计划。每次改动偏转角或斜切角设置的时候，要确保正确设置可调式导板使其支撑工件且不会干扰锯片或保护罩系统。在不打开工具开关且台面上没有工件的情况下，移动锯片模拟进行一次完全切割，确保不存在干扰或切割导板的危险。
12. 对于长度或宽度超过工作台的工件，请通过延展工作台、锯木架等方式给予充分支撑。如果未获得充分支撑，长度或宽度超过斜断锯工作台的工件会翻转。如果切块或工件翻转，它会抬起下部保护罩或被旋转的锯片甩出。
13. 切勿让他人作为助手替代延展工作台或令其对工件进行额外支撑。工件支撑不稳定会导致切割操作期间锯片卡滞或工件移位，将操作人员和助手拉向旋转的锯片。
14. 切下的切块不可以任何形式挤压旋转的锯片。如果受到限制，也即使用纵向制动器，切块会挤住锯片并被猛烈甩出。
15. 对于圆棒或圆管等圆形材料，请使用夹具或专用固定装置来进行充分固定。圆棒在切割时存在滚动的趋势，导致刀片被“咬住”，请用手将工件拉入锯片。
16. 操作锯片接触工件前，请使其达到全速。此举可降低工件被甩出的风险。
17. 如果工件或锯片被卡住，请关闭斜断锯。等到所有移动的部件停止，然后断开电源插头和/或取下电池组。然后再处理卡住的材料。如果在工件被卡住的情况下继续切割，则会导致斜断锯失控或受损。
18. 结束切割后，松开开关，使锯片头保持向下，等待锯片完全停止后再移除切块。双手靠近仍在转动的锯片是十分危险的。
19. 进行不完全切割或在锯片头完全插入下方之前松开开关时，请牢握把手。锯片的制动操作会导致锯片头被猛地向下拉动，存在人身伤害风险。
20. 仅使用工具上所标示或说明书中所规定直径的锯片。使用尺寸不正确的锯片可能会影响锯片的正确保护或保护罩的操作，从而导致严重的人身伤害。
21. 仅使用所标示的速度等于或大于工具上所标示的速度的锯片。
22. 请勿使用该锯切割木材、铝材或类似材料之外的其他材料。
23. （仅限欧洲国家）  
仅可使用符合**EN847-1**标准的锯片。

#### 其它注意事项

1. 请使用挂锁避免儿童进入车间。
2. 切勿踩踏工具。如果工具翻倒或意外接触到切割工具，可能会导致严重的人身伤害。
3. 切勿使工具在无人照看的情况下运行。关闭电源。切勿在工具完全停止前离开工具。
4. 请勿在保护罩未安装到位时操作本锯。在每次使用之前请检查锯片保护罩是否正确闭合。如果锯片保护罩无法自由移动和快速闭合，则请勿使用该锯。切勿将锯片保护罩置于打开位置。
5. 请勿将手放在锯片移动路线上。请勿接触仍在转动的锯片。否则会造成严重伤害。
6. 为减少受伤风险，请在每次横切操作后将刀架完全返回靠后的位置。
7. 搬动工具前请务必固定好所有可以移动的部件。
8. 将锯片头锁在下位的止动销或止动杆仅用于搬运和贮存的目的，而不适用于任何切割操作。



## 电池组的重要安全注意事项

9. 操作之前，请仔细检查锯片上是否有裂缝或损坏。应立即更换有裂缝或损坏的锯片。卡滞在锯片上变硬的树脂和木沥青会使该锯的速度变慢，并增加反弹的可能性。因此，请先将锯片从工具上拆下，然后使用树脂和沥青清除剂、热水或煤油进行清洁。保持锯片清洁。切勿使用汽油清洁锯片。
10. 进行滑动切割时，可能会出现反弹。当锯片在切割期间受工件卡滞时会发生反弹，锯片会快速弹向操作人员。会导致失控和严重的人身伤害。如果锯片在操作期间卡滞，切勿继续切割，此时应立即松开开关。
11. 请仅使用本工具指定的法兰。
12. 请小心勿损坏主轴、法兰（尤其是安装表面）或螺栓。这些部件的损坏可能会导致锯片破裂。
13. 确保翻转基座已正确固定，使其在操作期间不会移动。使用基板上的孔将锯片紧固到稳定的工作台或工作架上。操作人员切不可在所处位置不当时使用工具。
14. 打开开关前，请确保松开轴锁。
15. 确保锯片不会在最下位置接触到翻转基座。
16. 请紧握把手。请注意在启动和停止期间锯片会轻微地上下移动。
17. 打开开关前，请确认锯片未与工件接触。
18. 在实际的工件上使用工具之前，请先让工具空转片刻。请注意，振动或摇摆可能表示安装不当或刀片不平衡。
19. 若发现有任何异常请立即停止操作。
20. 请勿试图将开关扳机锁定在“开启”位置。
21. 请务必使用本说明书中建议的附件。使用砂轮等不适用的附件可能会导致人身伤害。
22. 某些材料含有有毒化学物质。小心不要吸入粉尘，并避免皮肤接触。遵循材料供应商的安全提示。
23. 本工具不可使用带线电源。

有关处于工作状态的灯具的补充安全规范

1. 请勿直视灯光或光源。

### 请保留此说明书。

**警告：** 请勿为图方便或因对产品足够熟悉（由于重复使用而获得的经验）而不严格遵循相关产品安全规则。使用不当或不遵循使用说明书中的安全规则会导致严重的人身伤害。

1. 在使用电池组之前，请仔细阅读所有的说明以及 (1) 电池充电器，(2) 电池，以及 (3) 使用电池的产品上的警告标记。
2. 切勿拆卸或改装电池组。否则可能引起火灾、过热或爆炸。
3. 如果机器运行时间变得过短，请立即停止使用。否则可能会导致过热、起火甚至爆炸。
4. 如果电解液进入您的眼睛，用清水将其冲洗干净并立即就医。否则可能会导致视力受损。
5. 请勿使电池组短路：
  - (1) 请勿使任何导电材料碰到端子。
  - (2) 避免将电池组与其他金属物品如钉子、硬币等放置在同一容器内。
  - (3) 请勿将电池组置于水中或使其淋雨。电池短路将产生大的电流，导致过热，并可能导致起火甚至击穿。
6. 请勿在温度可能达到或超过50°C (122°F) 的场所存放以及使用工具和电池组。
7. 即使电池组已经严重损坏或完全磨损，也请勿焚烧电池组。电池组会在火中爆炸。
8. 请勿对电池组射钉，或者切削、挤压、抛掷、掉落电池组，又或者用硬物撞击电池组。否则可能引起火灾、过热或爆炸。
9. 请勿使用损坏的电池。
10. 本工具附带的锂离子电池需符合危险品法规要求。

第三方或转运代理等进行商业运输时，应遵循包装和标识方面的特殊要求。有关运输项目的准备作业，咨询危险品方面的专业人士。同时，请遵守可能更为详尽的国家法规。

请使用胶带保护且勿遮掩表面的联络信息，并牢固封装电池，使电池在包装内不可动。
11. 丢弃电池组时，需将其从工具上卸下并在安全地带进行处理。关于如何处理废弃的电池，请遵循当地法规。
12. 仅将电池用于Makita（牧田）指定的产品。将电池安装至不兼容的产品会导致起火、过热、爆炸或电解液泄漏。
13. 如长时间未使用工具，必须将电池从工具内取出。
14. 使用工具期间以及使用工具之后，电池组温度可能较高易引起灼伤或低温烫伤。处理高温电池组时请小心操作。

15. 在使用工具后请勿立即触碰工具的端子，否则可能引起灼伤。
  16. 避免锯屑、灰尘或泥土卡入电池组的端子、孔口和凹槽内。否则可能导致工具或电池组性能下降或故障。
  17. 除非工具支持在高压电源线路附近使用，否则请勿在高压电源线路附近使用电池组。否则可能导致工具或电池组故障或失常。
  18. 确保电池远离儿童。
- 请保留此说明书。**

**小心：** 请仅使用Makita（牧田）原装电池。使用非Makita（牧田）原装电池或经过改装的电池可能会导致电池爆炸，从而造成火灾、人身伤害或物品受损。同时也会导致牧田工具和充电器的牧田保修服务失效。

## 保持电池最大使用寿命的提示

1. 在电池组电量完全耗尽前及时充电。发现工具电量低时，请停止工具操作，并给电池组充电。
2. 请勿对已充满电的电池组重新充电。过度充电将缩短电池的使用寿命。
3. 请在10°C - 40°C (50°F - 104°F) 的室温条件下给电池组充电。请在灼热的电池组冷却后再充电。
4. 不使用电池组时，请将其从工具或充电器上拆除。
5. 如果电池组长时间（超过六个月）未使用，请给其充电。

## 无线装置的重要安全注意事项

1. 切勿拆卸或改装此无线装置。
2. 请远离儿童存放无线装置。如果意外吞食，请立即就医。
3. 此无线装置仅用于Makita（牧田）电动工具。
4. 请勿将此无线装置暴露在雨水或潮湿的环境中。
5. 请勿在温度超过50°C的环境下使用此无线装置。
6. 请勿在医疗器械（例如心脏起搏器）附近运行此无线装置。
7. 请勿在自动化设备附近运行此无线装置。否则，自动化设备可能会发生故障或出现错误。
8. 不要在高温场所或可能产生静电或电气噪音的场所操作无线装置。

9. 无线装置会产生对用户无害的电磁场（EMF）。
10. 此无线装置属于精密仪器。请小心，勿掉落或撞击此无线装置。
11. 避免徒手或用金属材料接触无线装置的端子。
12. 在产品中安装无线装置时，务必取下产品上的电池。
13. 请勿在那些可能会使灰尘和水进入插槽的地方打开插槽的封盖。插槽的插口务必保持干净整洁。
14. 务必沿正确的方向插入无线装置。
15. 请勿过度用力按压无线装置上的无线启动按钮，也不可使用边缘锋利的物体按压该按钮。
16. 运行此无线装置时务必关闭插槽的封盖。
17. 切勿在工具正在通电的情况下从插槽取下无线装置。否则可能会导致此无线装置发生故障。
18. 切勿揭下此无线装置上的贴纸。
19. 切勿在此无线装置上粘贴任何贴纸。
20. 切勿将此无线装置留在可能会产生静电或电气噪音的地方。
21. 切勿将此无线装置留在可能会产生高温的地方，例如阳光照射下的车内。
22. 切勿将此无线装置留在灰尘或粉尘较重的地方，或可能会产生腐蚀性气体的地方。
23. 温度的剧烈变化可能会使此无线装置产生凝露。露水未完全干燥前，请勿使用此无线装置。
24. 清洁此无线装置时，请使用柔软的干抹布轻轻擦拭。切勿使用汽油、稀释剂或导电脂等类似物品。
25. 存放此无线装置时，请将其放在随附的盒中或防静电的容器中。
26. 请勿将非Makita（牧田）无线装置的任何其它设备插入工具的插槽中。
27. 如果插槽的封盖受损，请勿使用该工具。否则水、灰尘和泥土进入插槽可能会导致故障。
28. 如非必要，请勿拉动和 / 或扭动插槽的封盖。如果封盖从工具脱落，请将其还原。
29. 如果插槽的封盖丢失或受损，请更换。

**请保留此说明书。**



# 部件说明

## ► 图片2

1	旋钮（用于调整斜切角度）	2	六角扳手	3	调节螺丝（用于下限位置）	4	调节螺栓（用于最大切割能力）
5	止动臂	6	锁止按钮	7	开关扳机	8	封盖（用于无线装置）
9	挂锁孔	10	无线启动按钮	11	无线启动指示灯	12	照明灯按钮
13	集尘按钮	14	锯片罩壳	15	锯片保护罩	16	副导板
17	锁定杆（用于翻转基座）	18	释放杆（用于翻转基座）	19	把手（用于翻转基座）	20	锯槽板
21	斜接角度刻度	22	指针（用于斜接角度）	23	翻转基座	24	副基座
25	释放按钮（用于右侧斜切角）	26	垂直虎钳	27	止动销（用于刀架滑动）	28	滑杆

## ► 图片3

1	把手	2	电池组	3	集尘袋（更换成除尘软管时）	4	软管（用于除尘）
5	斜切角度刻度	6	0°调节螺栓（用于斜切角度）	7	指针（用于斜切角度）	8	45°调节螺栓（用于斜切角度）
9	插销杆（用于斜切角度）	10	释放杆（用于48°斜切角度）	11	导板导向板（上部导板）	12	导板导向板（下部导板）
13	止动销（用于刀架升降）	14	轴锁	-	-	-	-

## 安装

### 安装把手

将把手的螺纹轴拧入翻转基座。

► 图片4: 1. 把手 2. 翻转基座

### 安装和拆卸除尘软管

将弯管连接至上端口，锁定按钮朝上。将软管的套筒插入下端口中，按住套管上的止动器按钮并将之与端口上的导向凹槽对齐。确保弯管和套筒正确插入工具的端口。

► 图片5: 1. 除尘软管 2. 弯管 3. 锁定按钮 4. 套筒 5. 上端口 6. 下端口

要从端口移除弯管，请在按住锁定按钮的同时拉动弯管。

► 图片6: 1. 锁定按钮 2. 弯管

要从端口移除软管套筒，请在按住端口两侧止动器按钮的同时拉动套筒。

► 图片7: 1. 止动器按钮 2. 套筒

### 工作台安装

工具出厂时，把手由止动销锁定在较低位置。轻轻按下把手的同时，拉动止动销并旋转90°。

► 图片8: 1. 锁定位置 2. 解锁位置 3. 止动销

该工具应该用四个螺栓穿过工具基座上的螺栓孔将其固定在一个平坦稳定的表面。这样可以防止机器倾覆而可能导致的人身伤害。

► 图片9: 1. 螺栓

**警告：** 确保工具不会在支撑面上移动。切割期间在支撑面上移动斜断锯可能会导致工具失控和严重的人身伤害。

## 功能描述

**⚠警告：** 调节或检查工具功能之前，请务必关闭工具的电源并取出电池组。未关闭电源并取出电池组可能会产生意外启动，导致严重的人身伤害。

## 安装或拆卸电池组

**⚠小心：** 安装或拆卸电池组之前，请务必关闭工具电源。

**⚠小心：** 安装或拆卸电池组时请握紧工具和电池组。否则它们可能从您的手中滑落，导致工具和电池组受损，甚至造成人身伤害。

► **图片10：** 1. 红色指示器 2. 按钮 3. 电池组

拆卸电池组时，按下电池组前侧的按钮，同时将电池组从工具中抽出。

安装电池组时，要将电池组上的舌簧与外罩上的凹槽对齐，然后推滑到位。将其完全插入到位，直到锁定并发出咔哒声为止。若能看到图示中的红色指示器，则说明未完全锁紧。

**⚠小心：** 务必完全装入电池组，直至看不见红色指示器为止。否则，它可能会从工具中意外脱落，从而造成自身或他人受伤。

**⚠小心：** 请勿强行安装电池组。如果电池组难以插入，可能是插入方法不当。

## 工具 / 电池保护系统

本工具配备有工具 / 电池保护系统。该系统可自动切断电机电源以延长工具和电池寿命。作业时，如果工具或电池处于以下情况，工具将会自动停止运转。部分情况下，指示灯会亮起。

### 过载保护

以导致异常高电流的方式操作工具/电池时，工具会自动停止运转。在这种情况下，请关闭工具并停止导致工具过载的应用操作。然后开启工具重新启动。

### 过热保护

工具/电池过热时，工具将自动停止运转，同时灯将闪烁。在这种情况下，请等待工具冷却后再重新开启工具。

### 过放电保护

当电池电量变低时，工具会自动停止运转。若操作开关未能使工具运转，请取出工具中的电池并予以充电。

## 显示电池的剩余电量

按电池组上的CHECK（查看）按钮可显示电池剩余电量。指示灯将亮起数秒。

► **图片11：** 1. 指示灯 2. CHECK（查看）按钮

指示灯			剩余电量
■ 点亮	□ 熄灭	▩ 闪烁	
■ ■ ■ ■			75%至100%
■ ■ ■ □			50%至75%
■ ■ □ □			25%至50%
■ □ □ □			0%至25%
▩ □ □ □			给电池充电。
■ ■ □ □ ↑ ↓ □ □ ■ ■			电池可能出现故障。

**注：** 在不同的使用条件及环境温度下，指示灯所示电量可能与实际情况略有不同。

**注：** 当电池保护系统启动时，第一个（最左侧）指示灯将闪烁。

## 把手锁定

**⚠小心：** 松开止动销时，请务必握住把手。否则，把手将弹起并可能导致人身伤害。

把手可以通过止动销锁定在下方位置或上方位置。完全降低或抬升把手，然后拉动并旋转止动销至锁定位置。若要解锁把手，请拉动止动销并将其旋转90°至解锁位置，同时略微下压把手。

► **图片12：** 1. 锁定位置 2. 解锁位置  
3. 止动销

## 滑动锁定

拉拽止动销并将其旋转90°，使其位于解锁位置，以确保刀架可以自由移动。若要锁定刀架的滑动，请向支臂推动刀架直至其停止，并使止动销回到锁定位置。

► **图片13：** 1. 锁定位置 2. 解锁位置 3. 止动销 4. 支臂

## 锯片保护罩

**警告：** 请勿废弃或移除锯片保护罩或者保护罩上的弹簧。由于废弃保护罩而使锯片暴露在外会在操作期间导致严重的人身伤害。

**警告：** 如果锯片保护罩或弹簧已被损坏，出现故障或被移除，请勿使用该工具。在保护罩被损坏、出现故障或被移除的情况下操作工具可能会导致严重的人身伤害。

**小心：** 为确保操作安全，请务必保持锯片保护罩良好。如果锯片保护罩存在任何不规则情况，请立即停止操作。检查确认保护罩的弹簧可正常工作。

降下把手时，锯片保护罩会自动升起。当完成切割抬起把手时，弹簧加力的保护罩会回到原来的位置。

► **图片14:** 1. 锯片保护罩

## 清洁

如果透明锯片保护罩变脏，或者锯屑附着在保护罩上，以至无法看清锯片和 / 或工件，请取出电池组，并用湿布认真清洁保护罩。请勿使用溶剂或石油类清洁剂来清洁塑料保护罩，否则会损坏保护罩。请遵照清洁准备的说明按步骤操作。

1. 请确保已关闭工具电源并已取得电池组。
2. 握住中心盖板，同时使用附带的六角扳手逆时针转动六角螺栓。
3. 抬起锯片保护罩和中心盖板。
4. 完成清洁后，将中心盖板放回原来的位置并按与上述步骤相反的顺序紧固六角螺栓。
5. 请务必将电圆锯锯片和中心盖板放回原来的位置，然后拧紧六角螺栓。

► **图片15:** 1. 六角扳手 2. 六角螺栓 3. 中心盖板 4. 锯片保护罩

**警告：** 请勿移除固定锯片保护罩的弹簧。如果保护罩由于老化或紫外线照射而受损，请与Makita（牧田）服务中心联系，更换新的保护罩。请勿废弃或移除保护罩。

## 调节锯槽板

本工具在翻转基座上配有锯槽板，以最大程度地减少切割边破裂的情况。锯槽板在出厂时就已经调节好，所以电圆锯锯片不会碰到锯槽板。使用前，请按以下说明调节锯槽板：

1. 确保取下电池组。然后，拧松所有固定锯槽板的螺丝（左右各3个）。

► **图片16:** 1. 锯槽板 2. 螺丝

**注：** 可通过成角度旋转翻转基座轻松松动和拧紧远后螺丝。转动翻转基座时，确保完全抬起把手。

2. 再把它们拧紧到锯槽板仍可以轻易用手移动的程度。

**注：** 当重新定位锯槽板时，确保将翻转基座转回原来的角度（0°斜接角度）。

3. 将把手完全降下，拉动并旋转止动销将把手锁定在较低的位置。

4. 拉拽并旋转滑杆上的止动销，使刀架能够滑动。

► **图片17:** 1. 止动销 2. 锁定位置 3. 解锁位置

5. 将刀架充分拉向自己。

6. 调节锯槽板，使锯槽板刚好碰到锯齿的两侧。

► **图片18**

► **图片19:** 1. 锯片 2. 锯齿 3. 锯槽板 4. 左斜切角切割 5. 直线切割 6. 右斜切角切割

7. 拧紧前面的螺丝（不要拧死）。

8. 将刀架充分推向导板导向板，然后调节锯槽板，使锯槽板刚好碰到锯齿的两侧。

9. 拧紧中心的螺丝（不要拧死）。

10. 调整好锯槽板之后，松开用于把手锁定的止动销，再抬起把手。然后牢牢紧固所有的螺丝。

**注意：** 设定斜切角度后，确保锯槽板调整无误。校正锯槽板的调整有助于为工件提供合适的支撑，最小化工件破损的几率。

## 保持最大切割能力

该工具在出厂时已调节好，可为305 mm的锯片提供最大切割能力。  
安装新电圆锯锯片时，请随时检查电圆锯锯片的下限位置，如果有必要，按以下说明调节：

1. 取出电池组。然后将止动杆旋转至啮合位置。

► 图片20: 1. 止动杆

2. 把刀架充分推向导板导向板并完全降下把手。

► 图片21: 1. 导板导向板 2. 调节螺栓

3. 用六角扳手拧动调节螺栓直到电圆锯锯片略低于导板导向板的横截面和翻转基座的顶面。

► 图片22: 1. 翻转基座的顶面 2. 导板导向板

4. 用手旋转锯片，同时完全降下把手确保电圆锯锯片不会接触到下基座的任何部件。如有必要，请重新略作调节。

**警告：** 在安装新电圆锯锯片并取出电池组后，必须确保在把手完全降下时，电圆锯锯片不会碰到下基座的任何部件。如果电圆锯锯片碰到基座，则可能造成反弹和严重的人身伤害。

► 图片23

**小心：** 调节完成后，务必使止动杆返回到原来的位置。

## 止动臂

电圆锯锯片的下限位置可以用止动臂来轻易调节。如需调节，请按图示沿箭头方向移动止动臂。旋转调节螺丝，使电圆锯锯片在完全降下把手时停在所需的位置。

► 图片24: 1. 调节螺丝 2. 止动臂

**小心：** 调节时，请务必紧握手柄。否则可能会导致刀架弹起，造成人身伤害。

## 调节斜接角度

**小心：** 在改变斜接角度后，请使锁定/释放杆回到锁定位置并将把手牢固拧紧以锁住翻转基座。

**注意：** 当转动翻转基座时，请确保将把手充分抬起。

1. 逆时针旋转把手。然后按住锁定杆并向下压至解锁位置。

2. 握住并左右摆动把手，以转动翻转基座。

3. 使指针指向斜接角度规上的所需角度。

4. 放开锁定杆并紧固把手。

► 图片25: 1. 把手 2. 锁定杆 3. 指针 4. 斜接角度规

## 前挡块功能

斜断锯具备前挡块功能。您可以快速设置0°、15°、22.5°、31.6°、45°和60°左/右斜接角度。

1. 逆时针旋转把手

2. 按住锁定杆并向下压至解锁位置。

3. 转动翻转基座至接近所需前挡块角度，然后放开锁定杆。

4. 转动翻转基座至所需前挡块角度，直到将基座固定。

5. 紧固把手。

► 图片26: 1. 把手 2. 锁定杆 3. 前挡块角度

**注：** 如需解除翻转基座的前挡块功能，向下按压释放杆。翻转基座可以在无需向下压锁定杆的情况下自由移动。摆动把手以将翻转基座转动至所需角度，然后紧固把手。

► 图片27: 1. 释放杆

## 调节斜切角度

**小心：** 在改变斜切角度后，务必通过按顺时针方向拧紧滑杆上的旋钮的方式固定支臂。

**注意：** 调节斜切角度时，务必移除上导板和垂直虎钳。

**注意：** 当倾斜电圆锯锯片时，请确保将刀架充分抬起。

**注意：** 在改变斜切角度时，请确保按“调节锯槽板”部分的说明重新正确调整锯槽板的位置。

**注意：** 请勿过分拧紧滑杆上的旋钮。否则会导致斜切角度的锁定机构发生故障。

## 将电圆锯锯片向左倾斜

1. 逆时针旋转滑杆上的旋钮。

► 图片28: 1. 旋钮

2. 拉动并旋转插销杆至图示位置。

► 图片29: 1. 插销杆

- 握住把手并将刀架向左倾斜。
  - 使指针指向斜切角度规上的所需角度。
  - 按顺时针方向拧紧旋钮以固定刀架支臂。
- ▶ **图片30:** 1. 旋钮 2. 把手 3. 指针 4. 斜切角度规

### 将电圆锯锯片向右倾斜

- 逆时针旋转滑杆上的旋钮。
  - 握住把手并将刀架稍微向左倾斜。
  - 向右倾斜刀架，同时按住右侧斜切角释放按钮。
  - 使指针指向斜切角度规上的所需角度。
  - 按顺时针方向拧紧旋钮以固定刀架支臂。
- ▶ **图片31:** 1. 旋钮 2. 把手 3. 右侧斜切角释放按钮 4. 斜切角度规

### 使用前挡块功能倾斜电圆锯锯片

斜断锯具备前挡块功能。可以快速设定左右两边角度至22.5°和33.9°。

- 逆时针旋转滑杆上的旋钮。
  - 倾斜刀架至接近所需前挡块角度，同时抬起插销杆。
  - 将插销杆设置在水平位置。
  - 按照所需的前挡块角度倾斜刀架，直到将刀架固定。
  - 如需改变角度，将插销杆拉动至工具前方，然后重新倾斜刀架。
  - 按顺时针方向拧紧旋钮以固定刀架支臂。
- ▶ **图片32:** 1. 旋钮 2. 插销杆

### 将电圆锯锯片倾斜超过0° - 45°的范围

- 逆时针旋转滑杆上的旋钮。
  - 握住把手并将刀架向左或向右倾斜45°。
  - 稍微向后拉动刀架，然后沿48°斜切角向工具前方滑动释放杆。
  - 将刀架进一步向左或向右倾斜，同时使释放杆保持释放状态。
  - 按顺时针方向拧紧旋钮以固定刀架支臂。
- ▶ **图片33:** 1. 旋钮 2. 把手 3. 48°斜切角释放杆

## 开关操作

**警告:** 在将电池组安装至工具之前，请务必检查开关扳机是否能扣动自如，松开时能否退回至“关闭”位置。在没有按下锁止按钮的情况下请勿用力扣动开关扳机。这样可能会导致开关破损。若工具上的开关无法正常工作，将可能导致工具失控，并造成严重的人身伤害。

**警告:** 请勿使用开关扳机失灵的工。开关扳机失灵的工是极其危险的，必须维修过后才能使用，否则会导致严重的人身伤害。

**警告:** 切勿通过封住锁止按钮或其他方法来弃用锁止按钮。在弃用开关锁止按钮的情况下使用工具时可能会出现意外运行的情况并导致严重的人身伤害。

**警告:** 如果当您只是扣动开关扳机而没有按下锁止按钮时，工具即开始运行，则切勿使用此工具。在开关需要维修的情况下使用工具时可能会出现意外运行的情况并导致严重的人身伤害。在进一步使用该工具之前，请将其送回Makita (牧田) 维修中心进行正确的修理。

- ▶ **图片34:** 1. 开关扳机 2. 锁止按钮  
3. 挂锁孔

为避免使用者不小心扣动开关扳机，本工具采用锁止按钮。要启动工具时，按下锁止按钮，然后扣动开关扳机即可。松开开关扳机工具即停止。开关扳机上留有一个孔供插入挂锁，可将工具锁定为关闭状态。

**警告:** 请勿使用带有直径小于6.35mm的把手或钢索的锁。较小的把手或钢索无法正确将工具锁定在关闭位置，可能会出现意外运行的情况并导致严重的人身伤害。

## 铸造切割线

**小心:** 此照明灯不具有防水性。请勿用水清洗照明灯，或在雨中、潮湿场所使用。否则会导致触电和冒烟。

**小心:** 照明灯点亮时或熄灭后不久，请勿触摸照明灯镜面，因其会非常烫。否则可能会引起灼伤。

**小心:** 不要撞击照明灯，否则可能导致其损坏或使用寿命缩短。

**小心:** 请勿直视灯光或光源。

LED灯将光投射到电圆锯锯片上，并且锯片的阴影落在工件上，用作免校准切割线指示器。按下照明灯按钮以点亮灯。锯片碰到工件表面的位置会出现一条线，并会随着锯片的下降而加深。

- **图片35:** 1. 照明灯按钮 2. 照明灯  
3. 切割线

指示器可帮助切掉工件上用铅笔画出的现有的切线。

1. 握住把手并压低电圆锯锯片，使锯片的密影投射到工件上。
2. 将在工件上绘制的切线与有阴影的切割线对齐。
3. 如有必要，调整斜接角度和斜切角度。

**注：**使用后务必关闭照明灯开关，因为打开灯光会消耗电池电量。

**注：**停止操作5分钟后，照明灯自动熄灭。

## 电子功能

### 电动制动器

本工具配备有电动锯片制动器。如果在松开开关扳机后，工具始终无法立即停止运作，则须交由Makita（牧田）维修中心进行维修。

**小心：**锯片制动系统不可替代锯片保护罩。切勿使用无锯片保护罩功能的工具。使用未采取防护措施锯片可能导致严重的人身伤害。

### 恒速控制

工具配备了电子速度控制功能，即使在有负载情况下，也可以保持锯片的恒定转速。锯片的恒定转速可实现顺畅的切割。

### 软启动功能

该功能可限制启动转矩，实现工具的顺利启动。

## 装配

**警告：**在装配工具之前，请务必关闭工具电源并取出电池组。未关闭电源和取出电池组可能会导致严重的人身伤害。

### 六角扳手的存放

不使用时，请如图所示贮存六角扳手以防丢失。

- **图片36:** 1. 六角扳手

### 拆卸和安装锯片

**警告：**拆卸和安装电圆锯锯片之前，请务必关闭工具电源并拆下电池组。意外启动工具可能会导致严重的人身伤害。

**警告：**请仅使用随附的Makita（牧田）扳手拆卸和安装电圆锯锯片。否则可能会导致内六角螺栓安装过紧或者过松，从而导致严重的人身伤害。

**警告：**请勿使用或替换非本工具随附的部件。使用此类部件会导致严重的人身伤害。

**警告：**安装电圆锯锯片后，务必检查确保锯片已牢固安装。如电圆锯锯片安装不牢固，则会导致严重的人身伤害。

### 拆下锯片

要拆卸电圆锯锯片，请执行以下步骤：

1. 拉拽止动销并使其旋转到锁定位置，将刀架锁定在抬起位置。

- **图片37:** 1. 止动销 2. 解锁位置 3. 锁定位置

2. 用六角扳手将固定中心盖板的六角螺栓拧松。然后，抬起锯片保护罩和中心盖板。

- **图片38:** 1. 六角扳手 2. 六角螺栓 3. 中心盖板 4. 锯片保护罩

3. 按下轴锁锁定主轴，用六角扳手按顺时针方向拧松内六角螺栓。然后拆下内六角螺栓、外法兰盘和电圆锯锯片。

- **图片39:** 1. 内六角螺栓（左手） 2. 外法兰盘 3. 轴锁

4. 如果把内法兰拆下，请将其再安装到主轴上并确保其凹槽侧面向电圆锯锯片。如果法兰安装不正确，则法兰会与机器产生摩擦。

- **图片40:** 1. 内六角螺栓（左手） 2. 外法兰盘 3. 电圆锯锯片 4. 吊环  
5. 内法兰盘 6. 主轴 7. 凹槽侧



## 安装锯片

**警告：** 在把锯片安装到主轴上之前，请确保适用于您想要使用的锯片轴孔的挡圈已被安装到内外法兰盘之间。使用错误的轴孔挡圈可能会导致锯片的安装不正确，运行期间锯片会移动和剧烈振动，工具可能因此失控并造成严重的人身伤害。

**小心：** 确保安装电圆锯锯片，使锯片表面上的箭头方向与锯片罩壳上的箭头方向相吻合。否则可能会导致人身伤害、工具和/或工件受损。

要安装电圆锯锯片，请执行以下步骤：

1. 将电圆锯锯片小心安装至内法兰上。确保电圆锯锯片上的箭头方向与锯片基座上的箭头方向相吻合。

► **图片41：** 1. 锯片基座上的箭头 2. 电圆锯锯片上的箭头

2. 安装外法兰和内六角螺栓，然后在按住轴锁的同时，用六角扳手按逆时针方向拧紧内六角螺栓。

► **图片42：** 1. 内六角螺栓（左手） 2. 外法兰 3. 电圆锯锯片 4. 吊环 5. 内法兰 6. 主轴 7. 凹槽侧

3. 将锯片保护罩和中心盖板放回原来的位置。然后按顺时针方向拧紧六角螺栓以紧固中心盖板。

4. 拉动并旋转主动销至解锁位置，从抬起位置释放刀架。降下刀架并确保锯片保护罩正常移动。

**小心：** 请确保切割前轴锁已松开主轴。

## 连接吸尘器

当您想进行干净的切割操作时，请使用24号前端管口（选购附件）将Makita（牧田）集尘器连接至集尘口（上部集尘口）。

► **图片43：** 1. 24号前端管口 2. 软管 3. 集尘器

## 集尘袋

**小心：** 进行切割操作时，请务必安装集尘袋或连接集尘器以防止发生与灰尘相关的危险。

使用集尘袋可使切割操作更为干净，也可方便集尘。若要连接集尘袋，请拆下工具上的除尘软管并将集尘袋连接至集尘口（上部集尘口）。

► **图片44：** 1. 除尘软管 2. 集尘袋 3. 集尘口（上部集尘口）

当集尘袋已装满一半左右的空间时，从工具上取下集尘袋并拉出紧固装置。清空集尘袋并轻轻拍打，去除附着在集尘袋内壁的碎屑，以便再次使用。

► **图片45：** 1. 紧固装置

## 固定工件

**警告：** 始终用适当类型的虎钳或顶角线止动器正确固定工件极其重要。否则可能会导致严重的人身伤害、工具和/或工件受损。

**警告：** 切割长于斜断锯支撑座的工件时，应对超出支撑座的整个材料部分进行支撑，以保持其水平。正确支撑工件有助于避免锯片收缩以及可能反弹的情况，否则可能会导致严重的人身伤害。请勿仅仅依靠垂直虎钳和水平虎钳来固定工件。较薄的材料易于下陷。全长度地支撑工件以避免锯片收缩以及可能反弹的情况。

► **图片46：** 1. 支撑件 2. 翻转基座

## 导板导向板

**警告：** 在操作工具前，请确保上部导板已被牢牢固定住。

**警告：** 进行斜切角切割之前，请确保在充分降下或抬起把手到任何位置以及最大程度地移动刀架时，没有工具部件（尤其是锯片）接触到上下导板。工具或锯片接触到导板可能会导致反弹或材料的意外移动以及严重的人身伤害。

使用上导板支撑高于下导板的材料。将上导板插入下导板上的孔内，然后拧紧夹紧螺丝。

► **图片47：** 1. 上导板 2. 下导板 3. 夹紧螺丝 4. 调节螺丝



**注意：**出厂时下导板固定在基座上。请勿拆下下导板。

**注意：**如果在紧固夹紧螺丝后上导板仍松动，请旋转调节螺丝以闭合缝隙。调节螺丝出厂时已调节。除非必要，否则无需使用。

不使用上导板时，可将其存放在副基座的管子上。使用上导板上的夹子将其固定在副基座的管子上。

► **图片48：** 1. 副基座 2. 上导板 3. 夹子

## 垂直虎钳

**警告：**在所有操作过程中，工件都必须用虎钳牢牢地固定在翻转基座和导板导向板上。如果工件未正确固定在导向板上，在切割操作期间材料可能会移动，并可能导致锯片受损，引起材料飞溅和失控，造成严重的人身伤害。

垂直虎钳可以安装在基座和副基座的左右两侧中的任意一侧。把虎钳杆插入基座或副基座上的孔中。

► **图片49：** 1. 垂直虎钳 2. 用于垂直虎钳的孔 3. 副基座 4. 基座

► **图片50：** 1. 虎钳臂 2. 虎钳杆 3. 夹紧螺丝 4. 虎钳旋钮

根据工件的厚度和形状调节虎钳臂的位置，然后拧紧螺丝固定虎钳臂。如果夹紧螺丝触碰到刀架，请将垂直虎钳安装至副基座，或者基座的另一侧。确保在充分降下把手时，没有工具部件碰到虎钳。否则，应重新调节虎钳的位置。

把工件平放按住抵在导板导向板和翻转基座上。调节工件到期望的切割位置，拧紧虎钳旋钮将其牢牢固定住。

**注：**为方便快速调节工件位置，请将虎钳旋钮按逆时针旋转至90°能使虎钳旋钮上下移动。调节好工件位置后，可按顺时针方向旋转虎钳旋钮来固定工件。

## 水平虎钳

### 选购附件

**警告：**工件被正确固定之前，请务必顺时针旋转虎钳螺母。如果工件没有牢牢固定，切割操作期间材料可能会移动，并导致电圆锯锯片受损，材料被抛出和工具失控，从而造成严重的人身伤害。

**警告：**在导板上切割较薄的工件时，比如踢脚板，请使用水平虎钳。

**小心：**当切割厚度为20 mm或以下的工件时，确保使用垫块固定工件。

水平虎钳可安装在基座左右两边的任意一侧。执行22.5°或更大角度的斜接角切割时，请在与翻转基座转动方向相对的一侧安装水平虎钳。

► **图片51：** 1. 虎钳板 2. 虎钳螺母 3. 虎钳旋钮

逆时针转动虎钳螺母，虎钳即被松开，并快速地内外移动。若要固定工件，向前推动虎钳旋钮，直到虎钳板接触工件，再顺时针转动虎钳螺母。然后按顺时针方向拧动虎钳旋钮将工件固定住。

**注：**水平虎钳可固定工件的最大宽度为228 mm。

## 副基座

**警告：**请保持较长工件与翻转基座的顶面齐平，以便准确切割同时避免工具失控的危险。正确支撑工件有助于避免锯片收缩以及可能反弹的情况，否则可能会导致严重的人身伤害。

**警告：**开始切割前，务必确保副基座已通过螺丝牢牢固定。

为水平固定较长的工件，工具的两侧都配备了副基座。松开螺丝并拉伸副基座至合适长度以固定工件。然后拧紧螺丝。

► **图片52：** 1. 副基座 2. 螺丝

切割时，使工件紧贴导板导向板和基座的副导板。

► **图片53：** 1. 导板导向板 2. 副导板 3. 副基座

## 操作

本工具用于切割木产品。使用适当的Makita（牧田）原装锯片，也可切锯以下材料：

### — 铝产品

有关适合切割材料的正确电圆锯锯片，请参阅我们的网站或联系当地Makita（牧田）经销商。

**警告：** 打开开关前，请确认锯片未与工件等接触。在锯片接触到工件的情况下开启工具可能会导致反弹和严重的人身伤害。

**警告：** 切割完成后，切勿在锯片完全停止转动前抬起锯片。抬起还在转动的锯片可能会导致严重的人身伤害和工件受损。

**警告：** 锯片旋转时切勿执行任何调节，例如旋转工具上的把手、旋钮和杆。在锯片旋转时进行调节可能会导致严重的人身伤害。

**注意：** 使用前，务必解锁止动销并从降下的位置释放把手。

**注意：** 切割时，请勿向把手施加过大压力。力度太大可能造成电机超载，降低切割效率。按压把手时的力度只需达到平稳切割便可，但同时应不会明显降低锯片转动速度。

**注意：** 进行切割时，把手压力要轻柔。如果对把手用力太大或使用侧力，锯片会发生振动，会在工件上留下锯痕，切割的精确度就受到影响。

**注意：** 在滑动切割中，轻轻地把刀架匀速推向导轨导向板。如果刀架在切割中停止运动，工件会留下锯痕，影响切割的精确性。

## 按压切割

**警告：** 执行按压切割时务必锁定刀架的滑动。在不锁定的情况下切割可能会导致反弹和严重的人身伤害。

长度达92 mm宽度达183 mm的工件可以用以下方式进行切割。

### ► 图片54: 1. 止动销

1. 请向导轨导向板推动刀架直至其停止并将使用止动销将其锁定。
2. 用适当类型的虎钳固定住工件。
3. 将工具电源打开，同时避免电圆锯锯片接触工件，然后等待其转速达到全速，再压低电圆锯锯片。
4. 轻轻压低把手至最低位置来切割工件。

5. 切割完成后，关闭工具电源开关，待电圆锯锯片完全停止运转后，把电圆锯锯片放回其充分抬起的位置。

## 滑动（推动）切割（较宽工件切割）

**警告：** 在进行滑动切割时，首先把刀架充分拉向自己，按压把手至最低位置，然后将刀架推向导轨导向板。在刀架没有充分拉向自己的情况下，请勿开始切割。如果在没有充分将刀架拉向您的情况下进行滑动切割，可能会导致意外反弹和严重的人身伤害。

**警告：** 切勿试图通过将刀架拉向您来进行滑动切割。在切割期间将刀架拉向您可能会导致意外反弹和严重的人身伤害。

**警告：** 切勿在把手锁定在较低位置的情况下进行滑动切割。

### ► 图片55: 1. 止动销

1. 解锁止动销，使刀架可以自由滑动。
2. 用适当类型的虎钳固定住工件。
3. 将刀架充分拉向自己。
4. 将工具电源打开，勿让锯片接触工件，并等待其转速达到全速。
5. 向下按压把手，并把刀架推向导轨导向板，穿过工件。
6. 切割完成后，关闭工具电源开关，待锯片完全停止运转后，把锯片放回充分抬起的位置。

## 斜接角切割

请参考调节斜接角度章节。

## 斜切角切割

**警告：** 将锯片设定用于斜切角切割之后，操作工具之前，请确保刀架和锯片可以在预定切割的范围内自由移动。切割操作期间刀架或锯片移动受阻可能会导致反弹和严重的人身伤害。

**警告：** 进行斜切角切割时，请将手置于锯片的路径之外。切割期间，锯片的角度可能会混淆操作者对实际锯片路径的判断，碰到锯片会导致严重的人身伤害。

**警告：** 务必等待锯片完全停止，方可将其抬起。斜切角切割期间，切除的碎块可能会黏着在锯片上。如果在锯片仍在旋转的情况下抬起它，则切除的碎块可能会碰到锯片，造成碎片四处飞溅，从而导致严重的人身伤害。

**注意：**在向下按压把手时，压力要与锯片平行。如果压力与翻转基座垂直，或者切割过程中压力方向改变，则会影响到切割的精确度。

### ► 图片56

1. 拆下刀架倾斜方向一侧的上导板。
2. 解锁止动销。
3. 根据斜切角度调节章节中的说明调节斜切角度。然后拧紧旋鈕。
4. 用虎钳固定住工件。
5. 将刀架充分拉向自己。
6. 将工具电源打开，勿让锯片接触工件，等待其转速达到全速。
7. 向把手施加与锯片平行的力轻轻地压低把手到最低位置，并将刀架推向导板导向板来切割工件。
8. 切割完成后，关闭工具电源开关，待锯片完全停止运转时，把锯片放回充分抬起的位置。

## 复合切割

复合切割就是对工件进行斜接角切割的同时对其进行斜切角切割的工序。复合切割可以完成表格中角度的切割。

斜接角度	斜切角度
左和右0° - 45°	左和右0° - 45°

在进行复合切割时，请参考按压切割、滑动（推动）切割、斜接角切割和斜切角切割章节。

## 切割踢脚板

**⚠小心：**切割踢脚板时确保使用水平虎钳（选购附件）。

**⚠小心：**当切割厚度为20 mm或以下的工件时，确保使用垫块固定工件。

以45°斜接角度切割踢脚板时，请使用止动杆以防锯片基座接触踢脚板。当刀架充分前推时，这将保持踢脚板和锯片基座之间的间隙。关于踢脚板切割能力，请参考“规格”。

► **图片57：** 1. 止动杆 2. 垫块 3. 水平虎钳

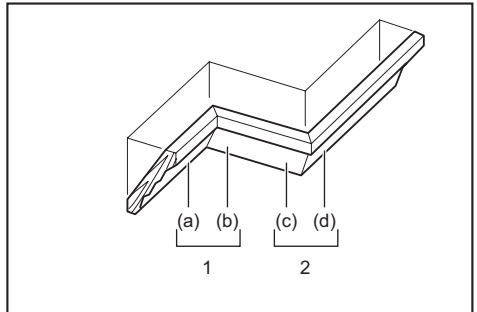
## 顶角线和拱形饰条切割

将装饰线脚平放在旋转工作台上，用复合斜断机切割顶角线和拱形饰条。

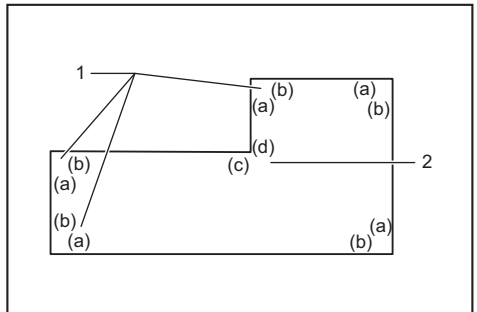
常用的有两种类型的顶角线和一种拱形饰条，即52/38°顶角线、45°顶角线和45°拱形饰条。

► **图片58：** 1. 52/38°顶角线 2. 45°顶角线 3. 45°拱形饰条

有专门为“内”90°墙角（图中（a）和（b））和“外”90°墙角（图中（c）和（d））制作的顶角线和拱形饰条接头。



1. 内角 2. 外角



1. 内角 2. 外角

## 测量

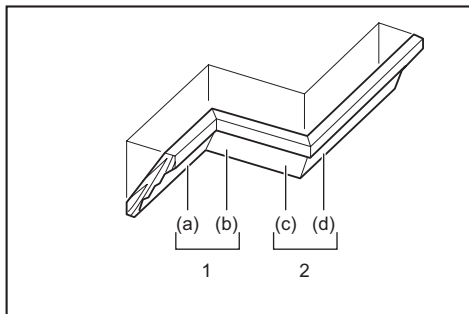
测量墙面宽度并相应调整工件的宽度。要确保工件的墙面接触边的宽度与墙面的长度相同。

► **图片59：** 1. 工件 2. 墙面宽度 3. 工件宽度 4. 墙面接触边

务必使用几块废木材进行测试切割，以检查角度。

顶角线和拱形饰条切割时，按表格（A）设定斜切角度和斜接角度，按表格（B）将饰条在电锯基座顶面的位置调节好。

## 在左斜切角切割情况下



1. 内角 2. 外角

表格 (A)

—	图中饰条位置	斜切角度		斜接角度	
		52/38° 类型	45° 类型	52/38° 类型	45° 类型
内角	(a)	左 33.9°	左30°	右 31.6°	右 35.3°
	(b)			左 31.6°	左 35.3°
外角	(c)			右 31.6°	右 35.3°
	(d)			左 31.6°	左 35.3°

表格 (B)

—	图中饰条位置	抵住导轨导向板的饰条边	完成部分
内角	(a)	天花板接触边应抵住导轨导向板。	完成部分应位于锯片的左侧。
	(b)	墙面接触边应抵住导轨导向板。	
外角	(c)	天花板接触边应抵住导轨导向板。	完成部分应位于锯片的右侧。
	(d)	墙面接触边应抵住导轨导向板。	

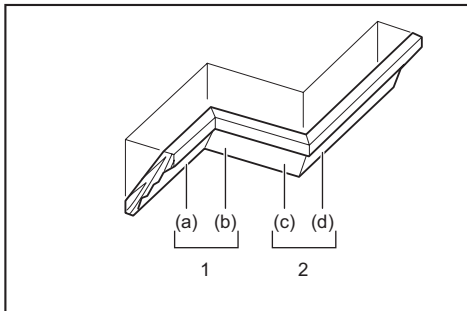
例:

在上图中位置 (a) 的52/38°顶角线切割中:

- 倾斜并固定斜切角度左33.9°。
- 调节并固定斜接角度右31.6°。
- 将顶角线较宽的(隐藏)后表面朝下放在翻转基座上,使天花板接触边抵住电锯上的导轨导向板。

- 切割以后,完成待用的部分总是位于锯片的左侧。

## 在右斜切角切割情况下



1. 内角 2. 外角

表格 (A)

—	图中饰条位置	斜切角度		斜接角度	
		52/38° 类型	45° 类型	52/38° 类型	45° 类型
内角	(a)	右 33.9°	右30°	右 31.6°	右 35.3°
	(b)			左 31.6°	左 35.3°
外角	(c)			右 31.6°	右 35.3°
	(d)			左 31.6°	左 35.3°

表格 (B)

—	图中饰条位置	抵住导轨导向板的饰条边	完成部分
内角	(a)	墙面接触边应抵住导轨导向板。	完成部分应位于锯片的右侧。
	(b)	天花板接触边应抵住导轨导向板。	
外角	(c)	天花板接触边应抵住导轨导向板。	完成部分应位于锯片的左侧。
	(d)	墙面接触边应抵住导轨导向板。	

例:

在上图中位置 (a) 的52/38°顶角线切割中:

- 倾斜并固定斜切角度右33.9°。
- 调节并固定斜接角度右31.6°。

- 将顶角线较宽的（隐藏）后表面朝下放在翻转基座上，使墙面接触边抵住电锯上的导板导向板。
- 切割以后，完成待用的部分总是位于锯片的右侧。

## 顶角线止动器

### 选购附件

使用顶角线止动器，可以不用倾斜锯片，更轻易地完成顶角线切割。如图中所示将它们安装在翻转基座上。

### 在右45°斜接角度

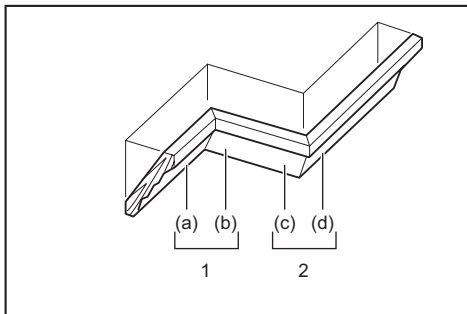
▶ **图片60:** 1. 左顶角线止动器 2. 右顶角线止动器 3. 翻转基座 4. 导板导向板

### 在左45°斜接角度

▶ **图片61:** 1. 左顶角线止动器 2. 右顶角线止动器 3. 翻转基座 4. 导板导向板

如图所示将顶角线墙面接触边抵住导板导向板，天花板接触边抵住顶角线止动器。根据顶角线的尺寸调节顶角线止动器。拧紧螺丝固定顶角线止动器。请参阅斜接角度表格（C）。

▶ **图片62:** 1. 导板导向板 2. 顶角线止动器



1. 内角 2. 外角

### 表格（C）

-	图中饰条位置	斜接角度	完成部分
内角	(a)	右45°	保留锯片右侧
	(b)	左45°	保留锯片左侧
外角	(c)		保留锯片右侧
	(d)	右45°	保留锯片左侧

## 切割铝型材

▶ **图片63:** 1. 虎钳 2. 垫块 3. 导板导向板 4. 铝型材 5. 垫块

固定铝挤压件时，请按照图示放置垫块或废弃木材，防止铝材变形。切割铝挤压件时，请使用切割油，以免铝材堆积在电圆锯锯片上。

**警告：** 切勿尝试切割较厚或圆形的铝挤压件。较厚或圆形的铝型材难以固定，在切割操作期间可能会变松，从而导致工具失控和严重的人身伤害。

## 实现特别最大宽度切割能力的方法

执行以下步骤可以实现最大宽度切割能力：关于本工具的最大切割宽度，请参考规格章节中的特定切割的切割能力。

1. 将工具设为0°或45°斜接角度，确保翻转基座锁定。（请参阅斜接角度调节章节。）
  2. 暂时拆下左右两侧的上导板，放在一边。
  3. 使用厚度为38 mm、平坦的库存材料，如木材、夹板、刨花板，按图示尺寸切割一块平台。
- ▶ **图片64:** 1. 0°斜接角度：超过450 mm  
2. 45°斜接角度：超过325 mm  
3. 38 mm 4. 超过760 mm

**警告：** 务必将平坦的库存材料用作平台。切割操作期间不平坦的库存材料可能会移动，导致反弹和严重的人身伤害。

**注：** 最大切割高度会随着平台厚度变化而等量减少。

4. 将平台置于工具上，使其在工具基座各侧的伸出量相同。

使用四颗6mm木螺丝穿过下导板上的四个孔，将平台固定到工具上。

▶ **图片65:** 1. 螺丝（每侧两颗） 2. 下导板 3. 基座 4. 平台

**警告：** 确保平台平贴工具基座，并且使用自带的四个螺丝孔将其牢牢固定在下导板上。未恰当地固定平台可能会导致移动和反弹，从而造成严重的人身伤害。

**警告：** 确保工具牢牢安装在稳固且平坦的表面上。未恰当地安装和固定工具会导致工具不稳固，工具因此失控或坠落，从而造成严重的人身伤害。

5. 将上导板安装在工具上。

**警告：**请勿在没有安装上导板情况下使用工具。上导板为切割工件提供了充分的支撑。

如果未适当地支撑工件，它可能会移动，导致失控、反弹和严重的人身伤害。

6. 将待切割的工件置于固定在工具上的平台上。

7. 切割前用虎钳将工件牢牢地固定在上导板上。

► **图片66:** 1. 上导板 2. 垂直虎钳 3. 工件 4. 平台

8. 根据滑动（推动）切割章节中的操作说明慢慢切断工件。

**警告：**确保用虎钳固定工件并慢慢切割。否则可能会导致工件移动，从而造成反弹和严重的人身伤害。

**警告：**请注意在不同斜接角度进行数次切割后，平台可能会变薄。如果材料上的多道锯痕使平台变薄，应更换平台。如果不更换变薄的平台，则工件可能会在切割过程中移动，造成反弹和严重的人身伤害。

## 凹槽切割

**警告：**请勿使用较宽锯片或刨槽锯片尝试这种类型的切割。试图用较宽锯片或刨槽锯片进行凹槽切割会导致意外的切割效果和反弹，从而造成严重的人身伤害。

**警告：**在进行非凹槽切割前，请确保把止动臂放回原来的位置。试图在止动臂处于错误位置的情况下进行切割会导致意外的切割效果和反弹，从而造成严重的人身伤害。

进行刨槽型切割时，请执行以下步骤：

1. 使用调节螺丝调节电圆锯锯片的下限位置，并调节止动臂以限制电圆锯锯片的切割深度。请参阅止动臂章节。

2. 在调节好电圆锯锯片的下限位置后，用滑动（推动）切割方法沿工件宽度切割两条平行凹槽。

► **图片67:** 1. 用锯片切割凹槽

3. 用凿子凿去凹槽中间部分的工件材料。

## 木衬片

**警告：**用螺丝将木衬片附着在导板导向板上。安装螺丝时，螺丝帽应低于木衬片表面，以免妨碍被切割材料的定位。被切割的材料不对齐会使其在切割期间意外移动，从而导致工具失控和严重的人身伤害。

**小心：**使用厚度均匀的直木板作为木衬片。

**小心：**为完全切断高度为107 mm至120 mm的工件，应在导板导向板上使用木衬片。木衬片将工件与导板隔开，允许锯片完成更深的切割。

**注意：**安装好衬片后，请勿在把手降下的情况下转动翻转基座。这样会损坏锯片或木衬片。

使用木衬片可帮助防止工件切割中出现裂片。可利用导板导向板上的孔和6 mm螺丝将木衬片附着在导板导向板上。

请参见有关建议使用的木衬片尺寸的图片。

► **图片68:** 1. 孔 2. 超过15 mm 3. 超过270 mm 4. 90 mm 5. 145 mm 6. 19 mm 7. 115 - 120 mm

**示例** 切割高度为115 mm和120 mm的工件时，请使用以下厚度的木衬片。

斜接角度	木衬片的厚度	
	115 mm	120 mm
0°	20 mm	38 mm
左右45°	15 mm	25 mm
左右60°	15 mm	25 mm

## 搬运工具

搬运工具前，确保取出电池组并固定斜断锯上的所有移动部件。务必检查下述各项：

- 取出电池组。
- 刀架处于0°斜切位置并固定。
- 刀架被降下和锁定。
- 刀架完全滑动至导板导向板并锁定。
- 翻转基座位于最大右斜接角位置并固定。
- 副基座已存放并固定。

双手握住工具基座两侧搬起工具。

► **图片69**



**警告：** 用于刀架升降的止动销仅用于搬运和贮存目的，不能用于任何切割操作。将止动销用于切割操作可能会导致电圆锯锯片意外移动，从而造成反弹和严重的人身伤害。

**小心：** 搬动工具前，请务必固定好所有可以移动的部件。如果在搬动时工具的部件移动或滑动，则工具会失控或失衡，造成人身伤害。

**小心：** 务必使用止动销将刀架升降装置正确地锁定在其底部位置。若止动销未正确接合，刀架可能会突然弹起，造成人员伤害。

## 无线启动功能

### 无线启动功能的作用

无线启动功能让操作更加干净舒适。将受支持的集尘器连接至工具，集尘器可随工具的开关操作自动运行。

#### ► 图片70

要使用无线启动功能，请准备以下项目：

- 无线装置（选购附件）
- 支持无线启动功能的集尘器

无线启动功能设置的概况如下。详细步骤请参考各章节。

1. 安装无线装置
2. 集尘器的工具注册
3. 启动无线启动功能

### 安装无线装置

#### 选购附件

**小心：** 安装无线装置时，请将工具放置在平坦且稳固的表面上。

**注意：** 安装无线装置前，请先清洁工具上的灰尘和泥土。如果灰尘和泥土进入无线装置的插槽，则可能会导致其发生故障。

**注意：** 为避免静电导致故障发生，拿起无线装置前，请先触摸静电释放材料，例如工具的金属部分。

**注意：** 安装无线装置时，务必确保沿正确方向插入无线装置，且将封盖完全关闭。

1. 如图所示打开工具的封盖。

#### ► 图片71：1. 封盖

2. 将无线装置插入插槽，然后关闭封盖。插入无线装置时，请将凸起部分对齐插槽上的凹陷部分。

#### ► 图片72：1. 无线装置 2. 突起部分 3. 封盖 4. 凹陷部分

拆下无线装置时，请缓慢打开封盖。封盖后面的挂钩在拉起封盖时会钩住无线装置。

#### ► 图片73：1. 无线装置 2. 挂钩 3. 封盖

取下无线装置后，请将其放在随附的盒中或防静电的容器中。

**注意：** 取下无线装置时，务必使用封盖后面的挂钩。如果挂钩未钩住无线装置，请完全关闭封盖，然后再缓慢打开。

### 集尘器的工具注册

**注：** 进行工具注册需要支持无线启动功能的Makita（牧田）集尘器。

**注：** 开始工具注册前，请先将无线装置安装至工具。

**注：** 避免在工具注册期间打开以下开关：

- 工具上的开关扳机
- 工具上的集尘器开关
- 集尘器上的电源开关

**注：** 请参阅集尘器的使用说明书。

如果您希望集尘器可随工具的开关操作而启动，请预先完成工具注册。

1. 安装集尘器和工具的电池。
2. 将集尘器上的待机开关拧至“**AUTO**”（自动）位置。

#### ► 图片74：1. 待机开关

3. 按住集尘器上的无线启动按钮3秒，直至无线启动指示灯呈绿色闪烁。然后以相同的方式按工具上的无线启动按钮。

#### ► 图片75：1. 无线启动按钮 2. 无线启动指示灯

如果集尘器和工具成功闪烁，无线启动指示灯将呈绿色亮起2秒，然后开始呈蓝色闪烁。

**注：** 无线启动指示灯在20秒后结束绿色闪烁。当集尘器上的无线启动指示灯闪烁时，按下工具上的无线启动按钮。如果无线启动指示灯未呈绿色闪烁，短按一下无线启动按钮，然后再次按住该按钮。

**注：** 对一个集尘器执行两个或以上工具注册时，请逐个完成工具注册。



## 启动无线启动功能

**注：**请在无线启动前完成集尘器的工具注册。

**注：**请参阅集尘器的使用说明书。

将工具注册至集尘器后，集尘器会随着工具的开关操作自动运行。拉动工具上的开关扳机，以使其在运行过程中启动集尘器。还可通过在切割操作中按下工具上的集尘按钮以启动集尘器。

### ► 图片76

1. 将无线装置安装至工具。
2. 将集尘器的软管连接至工具。

### ► 图片77

3. 将集尘器上的待机开关拧至“**AUTO**”（自动）位置。

### ► 图片78：1. 待机开关

4. 短按一下工具上的无线启动按钮。无线启动指示灯将呈蓝色闪烁。

### ► 图片79：1. 无线启动按钮 2. 无线启动指示灯

5. 扣动工具的开关扳机。检查扣动开关扳机时集尘器是否运行。

6. 按下集尘按钮启动集尘器。检查无线启动指示灯是否亮蓝光，并且集尘器保持运行，直到再次按下该按钮。

7. 若要停止集尘操作，请松开开关扳机或再次按下集尘按钮。操作开关后，集尘器停止运行几秒钟，然后指示灯闪烁蓝光。

**注：**可以通过无线启动指示灯了解开关状态（打开/关闭集尘器）。详情请参阅无线启动指示灯状态的说明章节。

8. 要停用集尘器的无线启动功能，请按下工具上的无线启动按钮。

**注：**闲置2小时无操作后，工具上的无线启动指示灯会停止蓝色闪烁。此时，请将集尘器上的待机开关拧至“**AUTO**”（自动）位置，并再次按下工具上的无线启动按钮。

**注：**集尘器会延迟启动/停止。集尘器检测工具的开关操作会存在时滞。

**注：**无线装置的传送距离视位置和周边环境不同而异。

**注：**当一个集尘器被注册了两个或多个工具时，即使您未扣动开关扳机或打开集尘按钮，该集尘器也可能因为其他用户正在使用无线启动功能而开始运行。

## 无线启动指示灯状态的说明

### ► 图片80：1. 无线启动指示灯

无线启动指示灯显示无线启动功能的状态。关于指示灯状态的意义请参阅下表。

状态	无线启动指示灯			说明	
	颜色	 亮起	 闪烁		持续时间
待机	蓝色			2小时	集尘器的无线启动可用。2小时无操作后指示灯会自动熄灭。
				工具正在运行时。	集尘器的无线启动可用且工具正在运行。
工具注册	绿色			20秒	准备好进行工具注册。等待集尘器的注册。
				2秒	完成工具注册。无线启动指示灯将开始呈蓝色闪烁。
取消工具注册	红色			20秒	准备好取消工具注册。等待集尘器取消工具注册。
				2秒	完成取消工具注册。无线启动指示灯将开始呈蓝色闪烁。
其它	红色			3秒	向无线装置供电，且无线启动功能启动。
		熄灭	-	-	集尘器的无线启动不可用。

## 取消集尘器的工具注册

取消集尘器的工具注册时, 请执行以下步骤。

1. 安装集尘器和工具的电池。
2. 将集尘器上的待机开关拧至“**AUTO**”（自动）位置。

► **图片81: 1.** 待机开关

3. 按住集尘器上的无线启动按钮6秒。无线启动指示灯呈绿色闪烁, 然后转为红色。然后以相同的方式按工具上的无线启动按钮。

► **图片82: 1.** 无线启动按钮 **2.** 无线启动指示灯

如果成功执行取消工具注册, 无线启动指示灯将呈红色亮起2秒, 然后开始呈蓝色闪烁。

**注:** 无线启动指示灯在20秒后结束红色闪烁。当集尘器上的无线启动指示灯闪烁时, 按下工具上的无线启动按钮。如果无线启动指示灯未呈红色闪烁, 短按一下无线启动按钮, 然后再次按住该按钮。

## 无线启动功能的故障排除

请求维修前, 请首先自行检查。如果您发现本手册中未作说明的问题, 请勿拆解工具。而请联系Makita（牧田）授权维修服务中心, 务必使用Makita（牧田）的替换部件进行修复。

异常状态	可能原因（故障）	纠正措施
无线启动指示灯未亮起 / 闪烁。	无线装置未安装至工具。 无线装置未正确安装至工具。	正确安装无线装置。
	无线装置的端子和 / 或插槽脏污。	轻轻擦掉无线装置上的灰尘并清洁插槽。
	未按工具上的无线启动按钮。	短按一下工具上的无线启动按钮。
	集尘器上的待机开关未拧至“ <b>AUTO</b> ”（自动）位置。	将集尘器上的待机开关拧至“ <b>AUTO</b> ”（自动）位置。
	未通电	接通工具和集尘器电源。
未成功完成工具注册 / 取消工具注册操作。	无线装置未安装至工具。 无线装置未正确安装至工具。	正确安装无线装置。
	无线装置的端子和 / 或插槽脏污。	轻轻擦掉无线装置上的灰尘并清洁插槽。
	集尘器上的待机开关未拧至“ <b>AUTO</b> ”（自动）位置。	将集尘器上的待机开关拧至“ <b>AUTO</b> ”（自动）位置。
	未通电	接通工具和集尘器电源。
	错误操作	短按一下无线启动按钮, 并再次执行工具注册 / 取消工具注册操作步骤。
	工具和集尘器相隔较远（超出传送范围）。	缩短工具和集尘器之间的距离。它们之间的最大距离为约 <b>10 m</b> , 该距离视实际环境不同而异。
	完成 / 取消工具注册之前: - 扣动了工具上的开关扳机或; - 打开了工具上的集尘按钮或; - 打开了集尘器上的电源按钮。	短按一下无线启动按钮, 并再次执行工具注册 / 取消工具注册操作步骤。
	工具或集尘器的工具注册步骤未完成。	同时对工具和集尘器执行工具注册步骤。
	其它设备的无线电干扰会产生高强度的无线电波。	使工具和集尘器远离 <b>Wi-Fi</b> 设备和微波炉等电器。

异常状态	可能原因 (故障)	纠正措施
集尘器未随着工具的开关操作而运行。	无线装置未安装至工具。 无线装置未正确安装至工具。	正确安装无线装置。
	无线装置的端子和 / 或插槽脏污。	轻轻擦掉无线装置上的灰尘并清洁插槽。
	未按工具上的无线启动按钮。	短按一下无线启动按钮，确保无线启动指示灯呈蓝色闪烁。
	集尘器上的待机开关未拧至“ <b>AUTO</b> ”（自动）位置。	将集尘器上的待机开关拧至“ <b>AUTO</b> ”（自动）位置。
	集尘器可注册超过10个工具。	请再次执行工具注册。 如果集尘器注册的工具超过10个，则最先注册的工具会被自动删除。
	集尘器无法成功注册工具。	重新进行工具注册。
	集尘器删除了所有工具注册。	再次执行工具注册。
	未通电	接通工具和集尘器电源。
	工具和集尘器相隔较远（超出传送范围）。	缩短工具和集尘器之间的距离。它们之间的最大距离为约10 m，该距离视实际环境不同而异。
	其它设备的无线电干扰会产生高强度的无线电波。	使工具和集尘器远离Wi-Fi设备和微波炉等电器。
集尘器运行时，工具的任何开关均不操作。	其他用户正在他们的工具上使用该集尘器的无线启动功能。	关闭其它工具的无线启动功能或取消其工具的工具注册。

## 保养

**警告：** 检查或保养工具之前，请务必关闭工具电源并取出电池组。未关闭电源并取出电池组可能会导致工具意外启动，造成严重的人身伤害。

**警告：** 为了达到最佳工作效果并最大程度保证安全，请确保电圆锯锯片锋利并且清洁。试图用较钝和 / 或较脏的锯片进行切割可能会导致反弹和严重的人身伤害。

**小心：** 检查或保养工具之前，请务必确保锯片保护罩被置于其原始的关闭位置。清洁过程中，切勿将锯片保护罩夹在或系在打开位置。使用暴露的锯片可能导致人身伤害。

**注意：** 切勿使用汽油、苯、稀释剂、酒精或类似物品清洁工具。否则可能会导致工具变色、变形或出现裂缝。

为了保证产品的安全与可靠性，维修、任何其他维修保养或调节需由Makita（牧田）授权的或工厂维修服务中心完成。务必使用Makita（牧田）的替换部件。

## 调节切割角度

该工具在出厂时已经过仔细调节和对齐过，但是使用不细心可能会影响对齐。如果您的工具没有合适地对齐，请进行以下操作：

### 斜接角度

充分降下把手，使用止动销将其锁定在降下后的位置。将刀架向导板导向板推动。逆时针转动把手并使用释放杆使翻转基座准备好启用前挡块功能。然后松开固定指针和斜接角度规的螺丝。

► **图片83：** 1. 把手 2. 锁定杆 3. 指针上的螺丝 4. 斜切角度规上的螺丝 5. 斜接角度规

使用前挡块功能将翻转基座设到0°位置。利用三角规、直角尺等进行调整，使电圆锯锯片侧面与导板导向板表面成直角。保持直角，紧固斜接角度规上的螺丝。之后，将指针（左右两边）指向斜接角度规上的0°位置，然后紧固指针上的螺丝。

► **图片84：** 1. 三角规 2. 指针

## 斜切角度

### 0°斜切角度

将刀架向导板导向板推动，并使用止动销将其锁定，使其不滑动。充分降下刀架，使用止动销将其锁定在降下后的位置。逆时针转动旋钮，然后将0°调节螺栓沿逆时针方向旋转两到三周，使电圆锯锯片向右边倾斜。

► **图片85:** 1. 旋钮 2. 0°调节螺栓 3. 指针上的螺丝

小心地沿顺时针方向旋转0°调节螺栓，再利用三角规、直角尺等进行调整，使电圆锯锯片侧面与翻转基座顶面成直角。然后拧紧旋钮以固定0°角度。

► **图片86:** 1. 三角规 2. 锯片 3. 翻转基座的顶面

再次检查电圆锯锯片侧面是否与翻转基座表面成直角。松开指针上的螺丝。将指针指向斜切角度规上的0°位置，然后紧固螺丝。

### 45°斜切角度

**注意：**请在调节好0°斜切角度后调节45°斜切角度。

拧松旋钮并将刀架完全倾斜至需要检查的一侧。检查指针是否指向斜切角度规上的45°位置。

► **图片87:** 1. 旋钮

如果指针不指向45°位置，旋转位于基座相反方向的斜切角度规中的调节螺丝使其指向45°位置。

► **图片88:** 1. 左45°调节螺栓 2. 右45°调节螺栓

## 调节副导板

如果副基座的上副导板未与导板导向板对齐，请进行调节。

1. 用六角扳手拧松用于固定副导板的螺栓。

2. 放置一个直型刚性杆（例如方形钢构件）紧贴导板导向板。

3. 当该刚性杆紧贴导板导向板的同时，放置副导板，使副导板的面紧贴刚性杆。然后拧紧螺栓。

► **图片89:** 1. 螺栓 2. 副导板 3. 导板导向板 4. 刚性杆

## 清洁照明灯镜面

**小心：**清洁照明灯镜面前，请务必卸下电圆锯锯片。

**注意：**请勿拆下用来固定镜片的螺丝。如果镜片不出来，将螺丝再拧松一点。

**注意：**请使用干布清除照明灯镜片上的灰尘。注意不要刮花照明灯镜片，否则会降低照明亮度。

**注意：**请勿使用溶剂或石油类清洁剂来清洁镜片。

由于LED灯镜片变脏，导致LED灯难以看清。定期清洁镜片。

取出电池组。松开螺丝，拉出镜片。使用柔软的湿布轻轻擦拭镜片。

► **图片90:** 1. 螺丝 2. 镜片

## 使用后

使用后，用布或类似的工具将附着在工具上的碎片和锯屑擦掉。根据前面说明过的“锯片保护罩”部分的指示，保持锯片保护罩清洁。用机油润滑滑动部件防止生锈。

## 选购附件

**警告：**这些Makita（牧田）附件或装置专用于本说明书所列的Makita（牧田）电动工具。如使用其他厂牌附件或装置，则可能会导致严重的人身伤害。

**警告：**仅可将Makita（牧田）附件或装置用于规定目的。使用附件或装置不当可能会导致严重的人身伤害。

如您需要了解更多关于这些选购附件的信息，请咨询当地的Makita（牧田）维修服务中心。

- 硬质合金锯片
- 垂直虎钳
- 水平虎钳
- 顶角线止动器设备
- 集尘袋
- 三角规
- 六角扳手
- 无线装置
- 支件套件
- Makita（牧田）原装电池和充电器

**注：**本列表中的一些部件可能作为标准配件包含于工具包装内。它们可能因销往国家之不同而异。

## SPESIFIKASI

<b>Model:</b>		<b>LS003G</b>
Diameter mata pisau	Negara-negara Eropa	305 mm
	Negara-negara selain Eropa	305 mm
Diameter lubang	Negara-negara Eropa	30 mm
	Negara-negara selain Eropa	30 mm atau 25,4 mm (negara tertentu)
Ketebalan maks. goresan mata gergaji		3,2 mm
Sudut miter maksimal		Kanan 60°, Kiri 60°
Sudut siku-siku maksimal		Kanan 48°, Kiri 48°
Kecepatan tanpa beban (RPM)		3.600 min <sup>-1</sup>
Dimensi (P x L x T)		898 mm x 690 mm x 725 mm
Tegangan terukur		D.C. 36 V - 40 V maks
Berat bersih		30,5 - 31,1 kg

### Kapasitas pemotongan (T x L)

Sudut miter			Sudut siku-siku		
			45° (kiri)	0°	45° (kanan)
0°	-	-	61 mm x 382 mm 71 mm x 363 mm	92 mm x 382 mm 107 mm x 363 mm	44 mm x 382 mm 54 mm x 363 mm
	Ketebalan permukaan kayu pada pembatas pemandu untuk peningkatan tinggi pemotongan	20 mm	78 mm x 325 mm	115 mm x 325 mm	61 mm x 325 mm
		38 mm	80 mm x 292 mm	120 mm x 292 mm	-
45° (kanan dan kiri)	-	-	61 mm x 268 mm 71 mm x 255 mm	92 mm x 268 mm 107 mm x 255 mm	44 mm x 268 mm 54 mm x 255 mm
	Ketebalan permukaan kayu pada pembatas pemandu untuk peningkatan tinggi pemotongan	15 mm	-	115 mm x 227 mm	-
		25 mm	-	120 mm x 212 mm	-
60° (kanan dan kiri)	-	-	-	92 mm x 185 mm 107 mm x 178 mm	-
	Ketebalan permukaan kayu pada pembatas pemandu untuk peningkatan tinggi pemotongan	15 mm	-	115 mm x 155 mm	-
		25 mm	-	120 mm x 140 mm	-

### Kapasitas pemotongan untuk pemotongan khusus

Jenis pemotongan	Kapasitas pemotongan
Jenis cetakan berbingkai 45° (menggunakan penahan cetakan berbingkai)	203 mm
Papan dasar (menggunakan ragum horizontal)	171 mm

- Karena kesinambungan program penelitian dan pengembangan kami, spesifikasi yang disebutkan di sini dapat berubah tanpa pemberitahuan.
- Spesifikasi dapat berbeda dari satu negara ke negara lainnya.
- Berat alat mungkin berbeda tergantung perangkat tambahan yang dipasang, termasuk kartrid baterai. Kombinasi alat terberat dan teringan, sesuai Prosedur EPTA 01/2014, ditunjukkan pada tabel.

## Kartrid dan pengisi daya baterai yang dapat digunakan

Kartrid baterai	BL4020 / BL4025 / BL4040* / BL4050F* * : Baterai yang direkomendasikan
Pengisi daya	DC40RA / DC40RB / DC40RC

- Beberapa kartrid baterai dan pengisi daya yang tercantum di atas mungkin tidak tersedia, tergantung wilayah tempat tinggal Anda.

**⚠ PERINGATAN:** Hanya gunakan kartrid dan pengisi daya baterai yang tercantum di atas. Penggunaan kartrid dan pengisi daya baterai lain dapat menimbulkan risiko cedera dan/atau kebakaran.

### Simbol

Berikut ini adalah simbol-simbol yang dapat digunakan pada peralatan ini. Pastikan Anda memahami arti masing-masing simbol sebelum menggunakan peralatan.



Baca petunjuk penggunaan.



Gunakan kaca mata pengaman.



Untuk menghindari cedera akibat debu yang beterbangan, tetap tahan kepala gergaji ke bawah, setelah melakukan pemotongan, sampai mata pisau benar-benar berhenti.



Saat melakukan potongan siku-siku, pertama putar knob berlawanan arah jarum jam dan miringkan pegangan. Kemudian, putar knob searah jarum jam untuk mengencangkan.



Ketika melakukan pemotongan menyerong, pertama tarik mesin secara penuh dan tekan pegangan ke bawah, lalu tekan mesin ke arah pembatas pemandu.



Tahan tombol pelepas ketika memiringkan pegangan ke kanan.



Aktifkan tuas penghenti ketika memotong papan dudukan dengan sudut miter 45°.



Jangan mendekatkan tangan atau jari ke mata pisau.



Jangan menatap pada lampu pengoperasian.



A: Diameter pisau  
B: Diameter lubang



Jangan pasang ragum horizontal pada arah yang sama dengan pemotongan sudut miter. (Simbol ini berlaku pada ragum horizontal)



Hanya untuk negara-negara UE  
Akibat adanya komponen berbahaya dalam peralatan, limbah peralatan listrik dan elektronik, aki dan baterai dapat memiliki dampak negatif pada lingkungan dan kesehatan manusia.

Jangan buang peralatan listrik dan elektronik atau baterai bersama limbah rumah tangga!  
Sesuai dengan Petunjuk Eropa tentang limbah peralatan listrik dan elektronik dan tentang aki dan baterai serta limbah aki dan baterai, serta penyesuaiannya terhadap undang-undang nasional, limbah peralatan listrik, baterai dan aki harus disimpan secara terpisah dan dikirim ke tempat pengumpulan terpisah untuk sampah kota, beroperasi sesuai dengan peraturan tentang perlindungan lingkungan.

Hal ini ditunjukkan dengan simbol tempat sampah bersilang yang ditempatkan pada peralatan.

### Penggunaan

Mesin ini digunakan untuk memotong kayu secara lurus atau membentuk sudut miter dengan akurat.

Gergaji tidak boleh digunakan untuk memotong bahan selain kayu, aluminium, atau bahan yang serupa.

## PERINGATAN KESELAMATAN

### Peringatan keselamatan umum mesin listrik

**⚠ PERINGATAN:** Bacalah semua peringatan keselamatan, petunjuk, ilustrasi dan spesifikasi yang disertakan bersama mesin listrik ini. Kelalaian untuk mematuhi semua petunjuk yang tercantum di bawah ini dapat menyebabkan sengatan listrik, kebakaran dan/atau cedera serius.

### Simpanlah semua peringatan dan petunjuk untuk acuan di masa depan.

Istilah "mesin listrik" dalam semua peringatan mengacu pada mesin listrik yang dijalankan dengan sumber listrik jala-jala (berkabel) atau baterai (tanpa kabel).



## Keselamatan tempat kerja

1. **Jaga tempat kerja selalu bersih dan berpenerangan cukup.** Tempat kerja yang berantakan dan gelap mengundang kecelakaan.
2. **Jangan gunakan mesin listrik dalam lingkungan yang mudah meledak, misalnya jika ada cairan, gas, atau debu yang mudah menyala.** Mesin listrik menimbulkan bunga api yang dapat menyalakan debu atau uap tersebut.
3. **Jauhkan anak-anak dan orang lain saat menggunakan mesin listrik.** Bila perhatian terpecah, anda dapat kehilangan kendali.

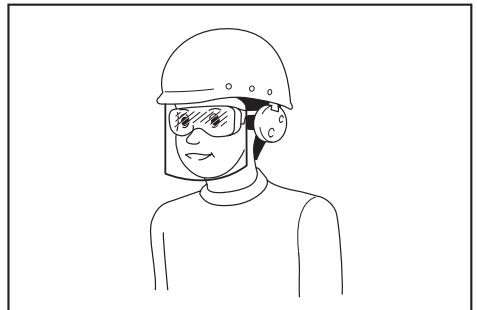
## Keamanan Kelistrikan

1. **Steker mesin listrik harus cocok dengan stopkontak. Jangan sekali-kali mengubah steker dengan cara apa pun. Jangan menggunakan steker adaptor dengan mesin listrik terbumi (dibumikan).** Steker yang tidak diubah dan stopkontak yang cocok akan mengurangi risiko sengatan listrik.
2. **Hindari sentuhan tubuh dengan permukaan terbumi atau yang dibumikan seperti pipa, radiator, kompor, dan kulkas.** Risiko sengatan listrik bertambah jika tubuh Anda terbumikan atau dibumikan.
3. **Jangan membiarkan mesin listrik kehujanan atau kebasahan.** Air yang masuk ke dalam mesin listrik akan meningkatkan risiko sengatan listrik.
4. **Jangan menyalahgunakan kabel. Jangan sekali-kali menggunakan kabel untuk membawa, menarik, atau mencabut mesin listrik dari stopkontak. Jauhkan kabel dari panas, minyak, tepian tajam, atau bagian yang bergerak.** Kabel yang rusak atau kusut memperbesar risiko sengatan listrik.
5. **Bila menggunakan mesin listrik di luar ruangan, gunakan kabel ekstensi yang sesuai untuk penggunaan di luar ruangan.** Penggunaan kabel yang sesuai untuk penggunaan luar ruangan mengurangi risiko sengatan listrik.
6. **Jika mengoperasikan mesin listrik di lokasi lembap tidak terhindarkan, gunakan pasokan daya yang dilindungi peranti imbasan arus (residual current device - RCD).** Penggunaan RCD mengurangi risiko sengatan listrik.
7. **Mesin listrik dapat menghasilkan medan magnet (EMF) yang tidak berbahaya bagi pengguna.** Namun, pengguna alat pacu jantung atau peralatan medis sejenisnya harus berkonsultasi dengan produsen peralatan tersebut dan/atau dokter mereka sebelum mengoperasikan mesin listrik ini.

## Keselamatan Diri

1. **Jaga kewaspadaan, perhatikan pekerjaan Anda dan gunakan akal sehat bila menggunakan mesin listrik. Jangan menggunakan mesin listrik saat Anda lelah atau di bawah pengaruh obat bius, alkohol, atau obat.** Sekejap saja lalai saat menggunakan mesin listrik dapat menyebabkan cedera badan serius.

2. **Gunakan alat pelindung diri. Selalu gunakan pelindung mata.** Peralatan pelindung seperti masker debu, sepatu pengaman anti-selip, helm pengaman, atau pelindung telinga yang digunakan untuk kondisi yang sesuai akan mengurangi risiko cedera badan.
3. **Cegah penyalahan yang tidak disengaja. Pastikan bahwa sakelar berada dalam posisi mati (off) sebelum menghubungkan mesin ke sumber daya dan/atau paket baterai, atau mengangkat atau membawanya.** Membawa mesin listrik dengan jari Anda pada sakelarnya atau mengalirkan listrik pada mesin listrik yang sakelarnya hidup (on) akan mengundang kecelakaan.
4. **Lepaskan kunci-kunci penyetel sebelum menghidupkan mesin listrik.** Kunci-kunci yang masih terpasang pada bagian mesin listrik yang berputar dapat menyebabkan cedera.
5. **Jangan meraih terlalu jauh. Jagalah pijakan dan keseimbangan sepanjang waktu.** Hal ini memungkinkan kendali yang lebih baik atas mesin listrik dalam situasi yang tidak diharapkan.
6. **Kenakan pakaian yang memadai. Jangan memakai pakaian yang longgar atau perhiasan. Jaga jarak antara rambut dan pakaian Anda dengan komponen mesin yang bergerak.** Pakaian yang longgar, perhiasan, atau rambut yang panjang dapat tersangkut pada komponen yang bergerak.
7. **Jika tersedia fasilitas untuk menghisap dan mengumpulkan debu, pastikan fasilitas tersebut terhubung listrik dan digunakan dengan baik.** Penggunaan pembersih debu dapat mengurangi bahaya yang terkait dengan debu.
8. **Jangan sampai Anda lengah dan mengabaikan prinsip keselamatan mesin ini hanya karena sudah sering mengoperasikannya dan sudah merasa terbiasa.** Tindakan yang lalai dapat menyebabkan cedera berat dalam sepersekian detik saja.
9. **Selalu kenakan kacamata pelindung untuk melindungi mata dari cedera saat menggunakan mesin listrik. Kacamata harus sesuai dengan ANSI Z87.1 di Amerika Serikat, EN 166 di Eropa, atau AS/NZS 1336 di Australia/Selandia Baru. Di Australia/Selandia Baru, secara hukum Anda juga diwajibkan mengenakan pelindung wajah untuk melindungi wajah Anda.**



**Menjadi tanggung jawab atasan untuk menerapkan penggunaan alat pelindung keselamatan yang tepat bagi operator mesin dan orang lain yang berada di area kerja saat itu.**

#### **Penggunaan dan pemeliharaan mesin listrik**

- 1. Jangan memaksa mesin listrik. Gunakan mesin listrik yang tepat untuk keperluan Anda.** Mesin listrik yang tepat akan menuntaskan pekerjaan dengan lebih baik dan aman pada kecepatan sesuai rancangannya.
- 2. Jangan gunakan mesin listrik jika sakelar tidak dapat menyalakan dan mematikannya.** Mesin listrik yang tidak dapat dikendalikan dengan sakelarnya adalah berbahaya dan harus diperbaiki.
- 3. Cabut steker dari sumber listrik dan/atau lepas paket baterai, jika dapat dilepas, dari mesin listrik sebelum melakukan penyetelan apa pun, mengganti aksesoris, atau menyimpan mesin listrik.** Langkah keselamatan preventif tersebut mengurangi risiko hidupnya mesin secara tak sengaja.
- 4. Simpan mesin listrik jauh dari jangkauan anak-anak dan jangan biarkan orang yang tidak paham mengenai mesin listrik tersebut atau petunjuk ini menggunakan mesin listrik.** Mesin listrik sangat berbahaya di tangan pengguna yang tak terlatih.
- 5. Rawatlah mesin listrik dan aksesoris. Periksa apakah ada komponen bergerak yang tidak lurus atau macet, komponen yang pecah, dan kondisi-kondisi lain yang dapat memengaruhi pengoperasian mesin listrik. Jika rusak, perbaiki mesin listrik terlebih dahulu sebelum digunakan.** Banyak kecelakaan disebabkan oleh kurangnya pemeliharaan mesin listrik.
- 6. Jaga agar mesin pemotong tetap tajam dan bersih.** Mesin pemotong yang terawat baik dengan mata pemotong yang tajam tidak mudah macet dan lebih mudah dikendalikan.
- 7. Gunakan mesin listrik, aksesoris, dan mata mesin, dll. sesuai dengan petunjuk ini, dengan memperhitungkan kondisi kerja dan jenis pekerjaan yang dilakukan.** Penggunaan mesin listrik untuk penggunaan yang lain dari peruntukan dapat menimbulkan situasi berbahaya.
- 8. Jagalah agar gagang dan permukaan pegangan tetap kering, bersih, dan bebas dari minyak dan pelumas.** Gagang dan permukaan pegangan yang licin tidak mendukung keamanan penanganan dan pengendalian mesin dalam situasi-situasi tak terduga.
- 9. Ketika menggunakan mesin, jangan menggunakan sarung tangan kain yang dapat tersangkut.** Sarung tangan kain yang tersangkut pada komponen bergerak dapat mengakibatkan cedera pada pengguna.

#### **Penggunaan dan pemeliharaan mesin bertenaga baterai**

- 1. Isi ulang baterai hanya dengan pengisi daya yang ditentukan oleh pabrikan.** Pengisi daya yang cocok untuk satu jenis paket baterai dapat menimbulkan risiko kebakaran ketika digunakan untuk paket baterai yang lain.
- 2. Gunakan mesin listrik hanya dengan paket baterai yang telah ditentukan secara khusus.** Penggunaan paket baterai lain dapat menimbulkan risiko cedera dan kebakaran.
- 3. Ketika paket baterai tidak digunakan, jauhkan dari benda logam lain, seperti penjepit kertas, uang logam, kunci, paku, sekrup atau benda logam kecil lainnya, yang dapat menghubungkan satu terminal ke terminal lain.** Hubungan singkat terminal baterai dapat menyebabkan luka bakar atau kebakaran.
- 4. Pemakaian yang salah, dapat menyebabkan keluarnya cairan dari baterai; hindari kontak. Jika terjadi kontak secara tidak sengaja, bilas dengan air. Jika cairan mengenai mata, cari bantuan medis.** Cairan yang keluar dari baterai bisa menyebabkan iritasi atau luka bakar.
- 5. Jangan menggunakan paket baterai atau mesin yang sudah rusak atau telah diubah.** Baterai yang rusak atau telah diubah dapat menyebabkan hal-hal yang tidak dapat diprediksi yang dapat menyebabkan kebakaran, ledakan atau risiko cedera.
- 6. Jangan membiarkan paket baterai atau mesin dekat dengan api atau suhu yang berlebihan.** Paparan api atau suhu di atas 130 °C dapat menyebabkan ledakan.
- 7. Ikuti semua petunjuk pengisian daya dan jangan mengisi daya paket baterai atau mesin di luar rentang suhu yang ditentukan di panduan.** Mengisi daya secara tidak tepat atau pada suhu di luar rentang yang ditentukan dapat merusak baterai dan meningkatkan risiko kebakaran.

#### **Servis**

- 1. Berikan mesin listrik untuk diperbaiki hanya kepada oleh teknisi yang berkualifikasi dengan menggunakan hanya suku cadang pengganti yang serupa.** Hal ini akan menjamin terjaminnya keamanan mesin listrik.
- 2. Jangan pernah memperbaiki paket baterai yang sudah rusak.** Perbaikan paket baterai harus dilakukan hanya oleh produsen atau penyedia servis resmi.
- 3. Patuhi petunjuk pelumasan dan penggantian aksesoris.**

## Instruksi keselamatan untuk gergaji adu manis

- Gergaji adu manis ditujukan untuk memotong kayu atau produk kayu, tidak dapat digunakan bersama dengan roda pemotong abrasif untuk memotong bahan yang mengandung besi seperti tongkat, batang, tiang, dll.** Debu abrasif dapat menyebabkan macet pada bagian yang bergerak seperti pelindung bawah. Percikan dari pemotongan abrasif akan membakar pelindung bawah, sisipan goresan, dan komponen plastik lainnya.
  - Gunakan penjepit untuk menahan benda kerja jika memungkinkan. Jika Anda menopang benda kerja dengan tangan, pastikan tangan Anda selalu berjarak setidaknya 100 mm dari kedua sisi mata gergaji. Jangan gunakan gergaji ini untuk memotong benda yang terlalu kecil untuk dijepit pada ragum atau dipegang tangan.** Jika tangan Anda berada terlalu dekat dengan mata gergaji, terdapat risiko cedera akibat menyentuh mata gergaji.
  - Benda kerja harus diam dan dijepit atau ditahan pada pembatas atau meja. Jangan umpankan benda kerja pada mata pisau atau memotong secara “bebas” dengan cara apa pun.** Benda kerja yang tidak ditahan dapat terlempar pada kecepatan tinggi dan menyebabkan cedera.
  - Dorong gergaji untuk memotong benda kerja. Jangan tarik gergaji untuk memotong benda kerja. Untuk memotong, angkat kepala gergaji dan angkat ke atas benda kerja tanpa memotong, jalankan motor, tekan kepala gergaji ke bawah dan dorong gergaji untuk memotong benda kerja.** Memotong dengan gerakan tarikan dapat menyebabkan mata gergaji bergerak ke atas benda kerja dan melemparkan mata gergaji dengan kuat ke arah operator.
  - Jangan pernah letakkan tangan pada garis pemotongan baik di depan atau di belakang mata gergaji.** Menopang benda kerja “secara menyilang”, yaitu menahan benda kerja pada sisi kanan mata gergaji dengan tangan kiri Anda atau sebaliknya adalah tindakan yang sangat berbahaya.
- **Gbr.1**
- Jangan meraih bagian belakang penahan dengan tangan mendekati 100 mm dari kedua sisi mata gergaji, untuk membersihkan serbuk kayu, atau untuk alasan apa pun ketika mata gergaji sedang berputar.** Jarak antara mata gergaji yang berputar dan tangan Anda mungkin tidak terlihat jelas dan Anda dapat terluka parah.
  - Periksa benda kerja sebelum memotong. Jika benda kerja melengkung atau tidak rata, jepit dengan sisi melengkung menghadap penahan. Selalu pastikan tidak ada celah antara benda kerja, penahan, dan meja di sepanjang garis pemotongan.** Benda kerja yang melengkung atau tidak rata dapat memuntir atau bergeser dan menyebabkan mata gergaji terjepit saat memotong. Hindari adanya paku atau objek lain pada benda kerja.
  - Jangan gunakan gergaji hingga meja benar-benar bersih dari serpihan kayu, peralatan lain, dll., dan hanya terdapat benda kerja.** Kotoran atau serpihan kayu atau benda lain yang menyentuh mata pisau saat sedang berputar dapat terlempar dengan kecepatan tinggi.
  - Hanya potong satu benda kerja dalam satu waktu.** Benda kerja yang bertumpuk tidak dapat dijepit atau ditahan dengan benar dan dapat menjepit mata pisau atau bergeser selama pemotongan.
  - Pastikan gergaji adu manis terpasang di permukaan kerja yang rata dan kuat sebelum digunakan.** Permukaan kerja yang rata dan kuat mengurangi risiko gergaji adu manis menjadi tidak stabil.
  - Rencanakan pekerjaan Anda. Setiap kali Anda mengganti pengaturan sudut siku-siku atau miter, pastikan penahan yang dapat disesuaikan telah diatur dengan benar untuk menahan benda kerja dan tidak akan mengganggu mata pisau atau sistem perlindungan.** Tanpa menyalakan mesin ke posisi “HIDUP” dan tidak ada benda kerja di meja, gerakkan mata gergaji dengan mensimulasikan gerakan memotong untuk memastikan tidak ada gangguan atau bahaya terpotongnya penahan.
  - Topang menggunakan peralatan yang memadai seperti sambungan meja, meja gergaji, dll. untuk benda kerja yang lebih lebar dari permukaan meja.** Benda kerja yang lebih panjang atau lebih lebar dari meja gergaji adu manis dapat miring jika tidak ditopang dengan kuat. Jika potongan atau benda kerja miring, potongan atau benda kerja tersebut dapat mengangkat pelindung bawah atau terlontar oleh mata pisau yang berputar.
  - Jangan minta orang lain menggantikan fungsi penopang atau sambungan meja.** Penopangan benda kerja yang tidak stabil dapat menyebabkan mata pisau terjepit atau benda kerja bergeser selama pemotongan dan Anda dan orang lain dapat mengenai mata pisau yang berputar.
  - Potongan benda kerja tidak boleh dijepit atau ditekan ke mata gergaji yang berputar dengan cara apa pun.** Jika tidak langsung terlepas, yaitu saat menggunakan penahan panjang, potongan benda kerja dapat miring ke arah mata pisau dan terlempar dengan kuat.
  - Selalu gunakan penjepit atau dudukan yang dirancang untuk menopang material berbentuk bulat seperti batang atau pipa dengan benar.** Batang dapat tergulung ketika dipotong, yang menyebabkan mata pisau “menggigit” dan menarik benda kerja serta tangan Anda ke arah mata pisau.
  - Biarkan mata pisau mencapai kecepatan penuh sebelum menyentuh benda kerja.** Hal ini akan mengurangi risiko benda kerja terlempar.

17. Jika benda kerja atau mata gergaji terjepit, matikan gergaji adu manis. Tunggu semua komponen gerak sampai benar-benar berhenti dan cabut steker dari sumber daya dan/atau lepaskan paket baterai. Kemudian lepaskan material yang terjepit. Melanjutkan pekerjaan dengan benda kerja yang terjepit dapat menyebabkan hilangnya kendali atau kerusakan pada gergaji adu manis.
18. Setelah selesai memotong, lepaskan sakelar, tahan kepala gergaji dan tunggu hingga mata gergaji berhenti sebelum melepaskan potongan benda kerja. Mengambil benda kerja ketika mata pisau masih berputar adalah tindakan yang sangat berbahaya.
19. Tahan pegangan dengan kuat ketika hanya memotong sebagian benda kerja atau ketika melepaskan sakelar sebelum kepala gergaji berada di posisi turun. Gerakan pengereman gergaji dapat menyebabkan kepala gergaji tertarik ke bawah dengan tiba-tiba dan berisiko menyebabkan cedera.
20. Gunakan hanya mata gergaji dengan diameter yang tertera pada alat atau ditentukan dalam petunjuk. Menggunakan mata pisau dengan ukuran yang salah akan memengaruhi perlindungan mata pisau atau pengoperasian pelindung yang dapat mengakibatkan cedera serius.
21. Hanya gunakan mata gergaji dengan kecepatan yang sama atau lebih tinggi dari kecepatan yang tertera pada mesin.
22. Gergaji tidak boleh digunakan untuk memotong bahan selain kayu, aluminium, atau bahan yang serupa.
23. (Hanya untuk negara-negara Eropa) Gunakan hanya mata pisau yang sesuai dengan EN847-1.
7. Selalu kencangkan semua bagian yang bergerak sebelum mesin dibawa.
8. Pasak penahan atau tuas penghenti yang mengunci kepala gergaji ke bawah hanya untuk tujuan membawa atau penyimpanan dan bukan untuk pengoperasian pemotongan.
9. Periksa mata pisau secara saksama akan adanya keretakan atau kerusakan sebelum penggunaan. Segera ganti mata pisau yang retak atau rusak. Getah dan ter kayu yang mengeras pada mata pisau memperlambat gergaji dan meningkatkan risiko terjadinya hentakan balik. Jaga agar mata pisau tetap bersih dengan melepasnya terlebih dahulu dari mesin, lalu membersihkannya dengan penghilang getah dan ter, air panas atau kerosin. Jangan pernah menggunakan bensin untuk membersihkan mata pisau.
10. Ketika membuat potongan geser, HENTAKAN BALIK dapat terjadi. HENTAKAN BALIK terjadi ketika mata gergaji terjepit pada benda kerja selama pemotongan dan mata gergaji terdorong dengan cepat ke arah operator. Kehilangan kendali dan cedera parah dapat terjadi. Jika mata pisau mulai terjepit selama pemotongan, jangan lanjutkan dan segera lepaskan sakelar.
11. Gunakan hanya flensa yang ditentukan untuk mesin ini.
12. Berhati-hatilah agar tidak merusak arbor, flensa (terutama permukaan pemasangan) atau baut. Kerusakan pada bagian ini bisa mengakibatkan rusaknya mata pisau.
13. Pastikan bahwa kedudukan putar dikencangkan dengan benar sehingga tidak akan bergerak selama pengoperasian. Gunakan lubang di bagian dasar untuk mengencangkan gergaji pada platform kerja atau meja yang stabil. JANGAN PERNAH gunakan mesin dengan posisi operator yang tidak ideal.

#### Instruksi tambahan

1. Pastikan bengkel aman untuk anak-anak dengan mengunci semua alat menggunakan gembok.
2. Dilarang berdiri di atas mesin. Cedera serius bisa terjadi jika mesin ini berujung lancip atau jika alat pemotong tersentuh secara tidak sengaja.
3. Jangan sekali-kali membiarkan mesin menyala tanpa pengawasan. Matikan mesin. Jangan meninggalkan mesin sampai benar-benar berhenti.
4. Jangan mengoperasikan gergaji tanpa pelindung terpasang di tempatnya. Periksa apakah pelindung mata pisau tertutup dengan baik setiap kali akan digunakan. Jangan mengoperasikan gergaji jika pelindung mata pisau tidak bergerak bebas dan menutup dengan cepat. Jangan sekali-kali menjepit atau mengikat pelindung mata pisau ke posisi terbuka.
5. Jauhkan tangan dari jalur mata gergaji. Hindari kontak dengan mata pisau yang bergerak meluncur. Ini masih dapat menyebabkan cedera parah.
6. Untuk mengurangi risiko cedera, kembalikan pegangan ke posisi belakang sepenuhnya setelah setiap pekerjaan pemotongan silang.
14. Pastikan kunci poros dilepas sebelum sakelar dinyalakan.
15. Pastikan mata pisau tidak mengenai kedudukan putar pada posisi terendah.
16. Genggam pegangan mesin kuat-kuat. Ketahuilah bahwa gergaji sedikit bergerak naik atau turun selama penyalaan awal dan saat berhenti.
17. Pastikan bahwa mata pisau tidak menyentuh benda kerja sebelum sakelar dinyalakan.
18. Sebelum menggunakan mesin pada benda kerja yang sebenarnya, jalankan mesin sebentar. Perhatikan akan adanya getaran atau goyangan yang dapat menunjukkan lemahnya pemasangan atau mata pisau yang kurang seimbang.
19. Segera hentikan pengoperasian segera jika Anda melihat adanya sesuatu yang tidak wajar.
20. Jangan mencoba untuk mengunci picu pada posisi "HIDUP".
21. Selalu gunakan aksesoris yang dianjurkan dalam panduan ini. Penggunaan aksesoris yang tidak tepat seperti roda ampelas bisa menyebabkan cedera.

22. Bahan tertentu mengandung zat kimia yang mungkin beracun. Berikan perhatian untuk menghindari menghirup debu dan persentuhan dengan kulit. Ikuti data keselamatan bahan dari pemasok.
23. Jangan gunakan pasokan daya berkabel untuk mesin ini.

Aturan keselamatan tambahan untuk lampu pengoperasian

1. Jangan melihat ke arah lampu atau sumber cahaya secara langsung.

## SIMPAN PETUNJUK INI.

**⚠️PERINGATAN:** JANGAN biarkan kenyamanan atau terbiasanya Anda dengan produk (karena penggunaan berulang) mengurangi kepatuhan yang ketat terhadap aturan keselamatan untuk produk yang terkait. **PENYALAHGUNAAN** atau kelalaian mematuhi kaidah keselamatan yang tertera dalam petunjuk ini dapat menyebabkan cedera badan serius.

## Petunjuk keselamatan penting untuk kartrid baterai

1. Sebelum menggunakan kartrid baterai, bacalah semua petunjuk dan penandaan pada (1) pengisi daya baterai, (2) baterai, dan (3) produk yang menggunakan baterai.
2. Jangan membongkar atau memodifikasi kartrid baterai. Tindakan tersebut dapat menimbulkan api, panas berlebih, atau ledakan.
3. Jika waktu beroperasinya menjadi sangat singkat, segera hentikan penggunaan. Hal tersebut dapat menimbulkan risiko panas berlebih, kemungkinan mengalami luka bakar atau bahkan terjadi ledakan.
4. Jika elektrolit mengenai mata Anda, basuh dengan air bersih dan segera cari pertolongan medis. Hal tersebut dapat mengakibatkan hilangnya kemampuan penglihatan Anda.
5. Jangan menghubungkan terminal kartrid baterai:
  - (1) Jangan menyentuh terminal dengan bahan penghantar listrik apa pun.
  - (2) Hindari menyimpan kartrid baterai pada wadah yang berisi benda logam lain seperti paku, uang logam, dsb.
  - (3) Jangan membiarkan baterai terkena air atau kehujanan.

Hubungan singkat baterai dapat menyebabkan aliran arus listrik yang besar, panas berlebih, kemungkinan mengalami luka bakar dan bahkan kerusakan pada baterai.
6. Jangan menyimpan dan menggunakan mesin dan kartrid baterai pada lokasi dengan suhu yang bisa mencapai atau melebihi 50 °C (122 °F).
7. Jangan membuang kartrid baterai di tempat pembakaran sampah walaupun benar-benar rusak atau tidak bisa digunakan sama sekali. Kartrid baterai bisa meledak jika terbakar.
8. Jangan memaku, memotong, menghancurkan, melempar, menjatuhkan kartrid baterai, atau memukulkan benda keras ke kartrid baterai. Tindakan tersebut dapat menimbulkan api, panas berlebih, atau ledakan.
9. Jangan menggunakan baterai yang rusak.
10. **Baterai litium-ion yang disertakan sesuai dengan persyaratan Perundangan Makanan Berbahaya.**

Harus ada pengawasan untuk pengangkutan komersial misalnya oleh pihak ketiga, ekspeditor, persyaratan khusus terhadap pengemasan dan pelabelan.

Diperlukan adanya konsultasi dengan ahli mengenai material berbahaya untuk persiapan barang yang akan dikirimkan. Perhatikan pula peraturan nasional yang lebih terperinci yang mungkin ada.

Beri perekat atau tutupi bagian yang terbuka dan kemasi baterai dengan cara yang tidak akan menimbulkan pergeseran dalam pengemasan.
11. **Ketika membuang kartrid baterai, lepaskan dari mesin dan buang ke tempat yang aman. Patuhi peraturan setempat yang berkaitan dengan pembuangan baterai.**
12. **Gunakan baterai hanya dengan produk yang ditentukan oleh Makita.** Memasang baterai pada produk yang tidak sesuai dapat menyebabkan kebakaran, kelebihan panas, ledakan, atau kebocoran elektrolit.
13. **Jika mesin tidak digunakan dalam jangka waktu yang lama, baterai harus dilepas dari mesin.**
14. **Selama dan setelah digunakan, kartrid baterai mungkin menyimpan panas yang dapat menyebabkan luka bakar atau luka bakar suhu rendah.** Perhatikan cara memegang kartrid baterai yang masih panas.
15. **Jangan langsung menyentuh terminal mesin setelah digunakan karena suhunya mungkin cukup panas untuk menyebabkan luka bakar.**
16. **Jangan biarkan serpihan, debu, atau tanah menempel di terminal, lubang, dan alur kartrid baterai.** Hal tersebut dapat mengakibatkan kinerja buruk atau kerusakan mesin maupun kartrid baterai.
17. **Kecuali jika mesin mendukung penggunaan di dekat saluran listrik bertegangan tinggi, jangan gunakan kartrid baterai di dekat saluran listrik bertegangan tinggi.** Hal tersebut dapat mengakibatkan kegagalan fungsi atau kerusakan mesin maupun kartrid baterai.
18. **Jauhkan baterai dari jangkauan anak-anak.**

## SIMPAN PETUNJUK INI.

**⚠️PERHATIAN:** Gunakan baterai asli Makita. Penggunaan baterai Makita yang tidak asli, atau baterai yang sudah diubah, akan mengakibatkan baterai mudah terbakar, cedera dan kerusakan. Akan menghilangkan garansi Makita pada pengisi daya dan alat Makita.

## Tip untuk menjaga agar umur pemakaian baterai maksimum

1. Isi ulang kartrid baterai sebelum habis sama sekali. Selalu hentikan penggunaan mesin dan ganti kartrid baterai jika Anda melihat bahwa mesin kurang tenaga.
2. Jangan pernah mengisi ulang kartrid baterai yang sudah diisi penuh. Pengisian ulang yang berlebihan memperpendek umur pemakaian baterai.
3. Isi ulang kartrid baterai pada suhu ruangan 10 °C - 40 °C. Biarkan kartrid baterai yang panas menjadi dingin terlebih dahulu sebelum diisi ulang.
4. Saat kartrid baterai tidak digunakan, lepaskan dari mesin atau pengisi daya.
5. Isi ulang daya kartrid baterai jika Anda tidak menggunakannya untuk jangka waktu yang lama (lebih dari enam bulan).

### Petunjuk keselamatan penting untuk unit nirkabel

1. Jangan membongkar atau memodifikasi unit nirkabel.
2. Jauhkan unit nirkabel dari anak kecil. Jika tidak sengaja tertelan, segera minta pertolongan medis.
3. Gunakan unit nirkabel hanya dengan peralatan Makita.
4. Pastikan unit nirkabel tidak keujanan atau basah.
5. Jangan menggunakan unit nirkabel di tempat-tempat yang bersuhu lebih dari 50°C.
6. Jangan menggunakan unit nirkabel di tempat-tempat yang dekat dengan peralatan medis, seperti alat pacu jantung.
7. Jangan menggunakan unit nirkabel di tempat-tempat yang dekat dengan perangkat otomatis. Jika tetap digunakan, perangkat otomatis dapat menjadi tidak berfungsi atau rusak.
8. Jangan mengoperasikan unit nirkabel di tempat-tempat yang dapat menghasilkan listrik statis atau gangguan listrik.
9. Unit nirkabel dapat menghasilkan medan magnet (EMF), tetapi medan magnet ini tidak berbahaya bagi pengguna.
10. Unit nirkabel merupakan suatu peralatan yang akurat. Berhati-hatilah jangan sampai unit nirkabel jatuh atau terbentur.
11. Jangan menyentuh terminal unit nirkabel dengan tangan tanpa pelindung atau dengan barang berbahan logam.
12. Selalu lepaskan baterai dari produk ketika memasang unit nirkabel ke dalamnya.
13. Ketika membuka penutup celah hindari tempat yang dapat mengakibatkan debu dan air masuk ke dalam celah. Selalu jaga tempat masuk celah dalam keadaan bersih.
14. Selalu masukkan unit nirkabel dengan arah yang benar.
15. Jangan menekan tombol pengaktifan nirkabel pada unit nirkabel terlalu kuat dan/atau menekan tombol dengan benda berujung tajam.
16. Selalu tutup bagian penutup celah selama digunakan.
17. Jangan melepaskan unit nirkabel dari celah ketika daya sedang mengalir ke dalam mesin. Melakukan hal ini dapat menyebabkan kerusakan fungsi pada unit nirkabel.
18. Jangan melepaskan stiker pada unit nirkabel.
19. Jangan menempelkan stiker apa pun pada unit nirkabel.
20. Jangan meninggalkan unit nirkabel di tempat yang dapat menghasilkan listrik statis atau gangguan listrik.
21. Jangan meninggalkan unit nirkabel di tempat dengan panas tinggi seperti pada mobil di bawah sinar matahari langsung.
22. Jangan meninggalkan unit nirkabel di tempat berdebu atau berserbuk atau di tempat yang dapat menghasilkan gas yang bersifat korosif.
23. Perubahan suhu secara mendadak dapat mengakibatkan unit nirkabel menjadi berembun. Jangan menggunakan unit nirkabel hingga embun telah benar-benar kering.
24. Ketika membersihkan unit nirkabel, usap dengan hati-hati menggunakan kain lembut dan kering. Jangan menggunakan benzena, tiner, gemuk konduktif atau sejenisnya.
25. Ketika menyimpan unit nirkabel, simpan dalam kotak yang disediakan atau wadah bebas listrik statis.
26. Jangan memasukkan perangkat apa pun selain unit nirkabel Makita ke dalam celah pada mesin.
27. Jangan menggunakan mesin jika penutup celah rusak. Air, debu, dan kotoran yang masuk ke dalam celah dapat mengakibatkan malafungsi.
28. Jangan menarik dan/atau memutar penutup celah lebih dari yang diperlukan. Pasang ke tempatnya semula jika penutup terlepas dari mesin.
29. Ganti penutup celah jika hilang atau rusak.

### SIMPAN PETUNJUK INI.



# DESKRIPSI BAGIAN-BAGIAN MESIN

## ► Gbr.2

1	Knop (untuk sudut siku-siku)	2	Kunci L	3	Sekrup penyetel (untuk posisi batas bawah)	4	Baut penyetel (untuk kapasitas pemotongan maksimum)
5	Lengan penahan	6	Tombol pengunci	7	Pelatuk sakelar	8	Penutup (untuk unit nirkabel)
9	Lubang untuk gembok	10	Tombol pengaktifan nirkabel	11	Lampu pengaktifan nirkabel	12	Tombol lampu
13	Tombol pengisap debu	14	Kotak mata pisau	15	Pelindung mata pisau	16	Anak pembatas
17	Tuas pengunci (untuk dudukan putar)	18	Tuas pelepas (untuk dudukan putar)	19	Gagang (untuk dudukan putar)	20	Papan garitan
21	Skala sudut miter	22	Penunjuk (untuk sudut miter)	23	Dudukan putar	24	Sub dudukan
25	Tombol pelepas (untuk sudut siku-siku sisi kanan)	26	Ragum vertikal	27	Pasak penahan (untuk menggeser pegangan)	28	Tiang geser

## ► Gbr.3

1	Pegangan	2	Kartrid baterai	3	Kantong debu (jika diganti dengan selang pengumpulan debu)	4	Selang (untuk pengumpul debu)
5	Skala sudut siku-siku	6	Baut penyetel 0° (untuk sudut siku-siku)	7	Penunjuk (untuk sudut siku-siku)	8	Baut penyetel 45° (untuk sudut siku-siku)
9	Tuas kancing (untuk sudut siku-siku)	10	Tuas pelepas (untuk sudut siku-siku 48°)	11	Pembatas pemandu (pembatas atas)	12	Pembatas pemandu (pembatas bawah)
13	Pasak penahan (untuk mengangkat pegangan)	14	Kunci poros	-	-	-	-

## PEMASANGAN

### Memasang gagang

Kencangkan batang berulir dari gagang ke dudukan putar menggunakan sekrup.

► **Gbr.4:** 1. Gagang 2. Dudukan putar

### Memasang dan melepas selang pembuangan debu

Pasang siku selang ke port atas dengan tombol kunci menghadap ke atas. Masukkan selongsong selang ke port bawah, tekan dan sejajarkan tombol penahan pada selongsong dengan takik pemandu pada port. Pastikan bagian siku dan selongsong terpasang dengan benar pada port mesin.

► **Gbr.5:** 1. Selang pengumpulan debu 2. Siku  
3. Tombol kunci 4. Selongsong 5. Port Atas  
6. Port Bawah

Untuk melepaskan siku selang dari port, tarik siku sembari menekan tombol kunci.

► **Gbr.6:** 1. Tombol kunci 2. Siku

Untuk melepas selongsong selang dari port, tarik selongsong sembari menekan tombol penahan yang ada di kedua sisi port.

► **Gbr.7:** 1. Tombol penahan 2. Selongsong

## Pemasangan bangku

Saat peralatan dikirimkan, pegangan terkunci pada posisi yang diturunkan sepenuhnya dari pasak penahan. Saat menurunkan pegangan, tarik pasak penahan dan putar sejauh 90°.

► **Gbr.8:** 1. Posisi terkunci 2. Posisi terbuka 3. Pasak penahan

Mesin ini harus dikencangkan dengan empat buah baut hingga permukaannya setara dan stabil dengan menggunakan lubang baut yang tersedia pada dudukan mesin. Hal ini akan mencegah mesin miring dan mengurangi kemungkinan cedera.

► **Gbr.9:** 1. Baut

**⚠ PERINGATAN:** Pastikan mesin tidak dapat bergerak di atas permukaan penopang. Pergerakan gergaji adu manis pada permukaan penopang ketika memotong dapat menyebabkan kehilangan kontrol dan cedera badan serius.



## DESKRIPSI FUNGSI

**⚠️PERINGATAN:** Selalu pastikan bahwa mesin dimatikan dan kartrid baterai dilepas sebelum menyatel atau memeriksa fungsi mesin. Kelalaian dalam mematikan dan melepaskan kartrid baterai dapat mengakibatkan cedera badan yang serius akibat penyalakan yang tidak disengaja.

### Memasang atau melepas baterai

**⚠️PERHATIAN:** Selalu matikan mesin sebelum memasang atau melepas kartrid baterai.

**⚠️PERHATIAN:** Pegang mesin dan kartrid baterai kuat-kuat saat memasang atau melepas kartrid baterai. Kelalaian untuk memegang mesin dan kartrid baterai kuat-kuat bisa menyebabkan keduanya tergelincir dari tangan Anda dan mengakibatkan kerusakan pada mesin dan kartrid baterai dan cedera diri.

► **Gbr.10:** 1. Indikator berwarna merah 2. Tombol 3. Kartrid baterai

Untuk melepas kartrid baterai, geser dari mesin sambil menggeser tombol pada bagian depan kartrid.

Untuk memasang kartrid baterai, sejajarkan lidah kartrid baterai dengan alur pada rumah dan masukkan ke dalam tempatnya. Masukkan seluruhnya sampai terkunci pada tempatnya dan terdengar bunyi klik kecil. Jika Anda bisa melihat indikator berwarna merah seperti yang ditunjukkan pada gambar, ini artinya kartrid baterai tidak terkunci sempurna.

**⚠️PERHATIAN:** Selalu pasang kartrid baterai sepenuhnya sampai indikator berwarna merah tidak terlihat. Jika tidak, bisa terlepas dari mesin secara tidak sengaja, menyebabkan luka pada Anda atau orang di sekitar Anda.

**⚠️PERHATIAN:** Jangan memasang kartrid baterai secara paksa. Jika kartrid tidak bergeser dengan mudah, berarti tidak dimasukkan dengan benar.

### Sistem perlindungan mesin / baterai

Mesin ini dilengkapi dengan sistem perlindungan mesin/baterai. Sistem ini memutuskan daya ke motor secara otomatis untuk memperpanjang umur pemakaian mesin dan baterai. Mesin akan berhenti secara otomatis saat penggunaan jika mesin atau baterai berada dalam salah satu kondisi berikut ini. Dalam kondisi yang sama, indikator akan menyala.

### Perlindungan kelebihan beban

Jika mesin/baterai digunakan dengan cara yang menjadikan baterai mengeluarkan arus tinggi yang berlebihan, mesin akan berhenti secara otomatis. Dalam situasi ini, matikan mesin dan hentikan pekerjaan yang menyebabkan mesin mengalami kelebihan beban. Kemudian, nyalakan mesin untuk kembali melanjutkan pekerjaan.

### Perlindungan panas berlebih

Apabila mesin/baterai terlalu panas, mesin akan berhenti secara otomatis dan lampu akan berkedip. Untuk situasi ini, biarkan mesin menjadi dingin sebelum menyalakan mesin lagi.

### Perlindungan pengisian daya berlebih

Ketika kapasitas baterai melemah, mesin akan berhenti secara otomatis. Jika mesin tidak berjalan bersama dengan pengoperasian sakelar, lepaskan baterai dari mesin dan isi dayanya.

### Mengindikasikan kapasitas baterai yang tersisa

Tekan tombol pemeriksaan pada kartrid baterai untuk melihat kapasitas baterai yang tersisa. Lampu indikator menyala selama beberapa detik.

► **Gbr.11:** 1. Lampu indikator 2. Tombol pemeriksaan

Lampu indikator			Kapasitas yang tersisa
Menyala	Mati	Berkedip	
			75% hingga 100%
			50% hingga 75%
			25% hingga 50%
			0% hingga 25%
			Isi ulang baterai.
			Baterai mungkin sudah rusak.

**CATATAN:** Tergantung kondisi penggunaan dan suhu lingkungannya, penunjukkan mungkin saja sedikit berbeda dari kapasitas sebenarnya.

**CATATAN:** Lampu indikator pertama (ujung kiri) akan berkedip ketika sistem perlindungan mesin bekerja.

## Kunci pegangan

**⚠️ PERHATIAN:** Selalu tahan pegangan ketika melepaskan pasak penahan. Jika tidak, pegangan akan memantul dan akan mengakibatkan cedera badan.

Pegangan dapat dikunci dalam posisi diturunkan atau posisi dinaikkan menggunakan pin penahan. Turunkan atau angkat pegangan hingga maksimal, lalu tarik dan putar pin penahan dalam posisi terkunci. Untuk membuka pegangan, tarik pasak penahan dan putar 90° dalam posisi terbuka sambil menurunkan pegangan sedikit.

- **Gbr.12:** 1. Posisi terkunci 2. Posisi terbuka  
3. Pasak penahan

## Kunci geser

Tarik pasak penahan dan putar 90° dalam posisi tidak terkunci untuk memungkinkan mesin bergerak bebas. Untuk mengunci pergerakan geser mesin, dorong mesin ke arah lengan hingga berhenti, lalu kembalikan pasak penahan dalam posisi terkunci.

- **Gbr.13:** 1. Posisi terkunci 2. Posisi terbuka  
3. Pasak penahan 4. Lengan

## Pelindung mata pisau

**⚠️ PERINGATAN:** Jangan pernah mengakali atau melepaskan pelindung mata pisau atau pegas yang menempel pada pelindung. Mata pisau yang terpapar sebagai akibat dari pelindung yang diakali dapat menyebabkan cedera badan selama pengoperasian.

**⚠️ PERINGATAN:** Jangan pernah menggunakan mesin jika pelindung mata pisau atau pegas rusak, cacat atau dilepaskan. Pengoperasian mesin dengan pelindung yang rusak, cacat atau dilepaskan dapat mengakibatkan cedera badan yang serius.

**⚠️ PERHATIAN:** Selalu jaga pelindung mata pisau dalam kondisi yang baik untuk pengoperasian yang aman. Segera hentikan pengoperasian jika terjadi ketidakberesan pada pelindung mata pisau. Periksa untuk memastikan adanya gerak kembali yang digerakkan oleh pegas pada pelindung.

Ketika menurunkan pegangan, pelindung mata pisau naik secara otomatis. Pelindung mata pisau dilengkapi pegas sehingga akan kembali ke posisi semula ketika pemotongan selesai atau pegangan dinaikkan.

- **Gbr.14:** 1. Pelindung mata pisau

## Pembersihan

Jika pelindung mata pisau terlihat kotor, atau serbuk gergaji menempel pada pelindung sehingga mata pisau dan/atau benda kerja tidak lagi terlihat dengan mudah, lepaskan kartrid baterai dan bersihkan pelindung dengan hati-hati menggunakan kain basah. Jangan gunakan larutan pembersih atau cairan pembersih berbahan minyak pada pelindung plastik karena hal ini akan menyebabkan kerusakan pada pelindung.

Ikuti instruksi langkah-demi-langkah yang tercantum dalam cara mempersiapkan pembersihan.

1. Pastikan bahwa mesin sudah dimatikan dan kartrid baterai dilepas.
  2. Putar baut segi enam berlawanan arah jarum jam menggunakan kunci L yang disediakan sambil menahan penutup tengah.
  3. Naikkan pelindung mata pisau dan penutup tengah.
  4. Ketika pembersihan selesai, kembalikan penutup tengah dan kencangkan baut segi enam dengan melakukan langkah-langkah di atas dengan urutan terbalik.
  5. Pastikan untuk mengembalikan mata gergaji bundar dan penutup tengah ke posisi semula, lalu kencangkan baut segi enam.
- **Gbr.15:** 1. Kunci L 2. Baut kepala segi enam  
3. Penutup tengah 4. Pelindung mata pisau

**⚠️ PERINGATAN:** Jangan melepaskan pelindung mata pisau penahan pegas. Jika pelindung rusak seiring waktu atau terpapar sinar UV, hubungi pusat layanan Makita untuk penggantian.  
**JANGAN MENAKALI ATAU MELEPAS PELINDUNG.**

## Menempatkan papan garitan

Mesin ini disediakan dengan papan garitan pada dudukan putar untuk meminimalkan koyakan pada bagian luar potongan. Papan garitan telah disetel oleh pabrik sehingga mata gergaji bundar tidak mengenai papan garitan. Sebelum penggunaan, setel papan garitan sebagai berikut:

1. Pastikan untuk melepaskan kartrid baterai. Lalu, longgarkan semua sekrup (masing-masing 3 di kiri dan kanan) yang terpasang pada papan garitan.

- **Gbr.16:** 1. Papan garitan 2. Sekrup

**CATATAN:** Sekrup paling belakang dapat dengan mudah dilonggarkan dan dikencangkan dengan memutar dudukan putar di suatu sudut. Pastikan pegangan sepenuhnya dinaikkan saat memutar dudukan putar.

2. Kencangkan kembali sekrup tersebut hanya sampai papan garitan masih dapat dipindahkan dengan mudah dengan tangan.

**CATATAN:** Pastikan dudukan putar dikembalikan ke sudut aslinya (sudut miter 0°) saat memosisikan ulang papan garitan.

3. Turunkan pegangan secara penuh, kemudian tarik dan putar pasak penahan untuk mengunci pegangan pada posisi yang lebih rendah.
  4. Tarik dan putar pasak penahan pada tiang geser untuk memungkinkan mesin meluncur.
- **Gbr.17:** 1. Pasak penahan 2. Posisi terkunci  
3. Posisi terbuka
5. Tarik mesin secara penuh ke arah Anda.

6. Setel papan garitan sehingga hanya mengenai bagian gerigi mata pisau.

► **Gbr.18**

► **Gbr.19:** 1. Mata gergaji 2. Gerigi mata pisau 3. Papan garitan 4. Potongan siku-siku kiri 5. Potongan lurus 6. Potongan siku-siku kanan

7. Kencangkan sekrup depan (jangan mengencangkan terlalu kuat).

8. Tekan mesin ke arah pembatas pemandu secara penuh, lalu setel papan garitan sehingga hanya mengenai bagian gerigi mata pisau.

9. Kencangkan sekrup tengah (jangan mengencangkan terlalu kuat).

10. Setelah menyetel papan garitan, lepaskan pasak penahan untuk kunci pegangan, lalu naikkan pegangan. Kemudian kencangkan sekrup dengan kuat.

**PEMBERITAHUAN:** Setelah menyetel sudut siku-siku, pastikan bahwa papan garitan disetel dengan benar. Penyetelan papan garitan yang benar membantu untuk memberikan tumpuan yang memadai dari benda kerja dan meminimalkan koyakan benda kerja.

## Menjaga kapasitas pemotongan maksimum

Mesin ini disetel di pabrik dengan kapasitas pemotongan maksimum untuk mata gergaji berukuran 305 mm.

Saat memasang mata gergaji bundar baru, selalu periksa posisi batas bawah mata gergaji bundar, dan bila perlu, setel seperti berikut:

1. Lepaskan kartrid baterai. Lalu putar tuas penghenti ke posisi terpasang.

► **Gbr.20:** 1. Tuas penghenti

2. Tekan pegangan ke arah pembatas pemandu dan turunkan pegangan secara penuh.

► **Gbr.21:** 1. Pembatas pemandu 2. Baut penyetel

3. Gunakan kunci L untuk memutar baut penyetel hingga mata gergaji bundar menjadi sedikit di bawah potongan melintang dari pembatas pemandu dan bagian atas permukaan dudukan putar.

► **Gbr.22:** 1. Permukaan atas dudukan putar 2. Pembatas pemandu

4. Putar mata pisau menggunakan tangan sambil memegang pegangan ke bawah sepenuhnya untuk memastikan bahwa mata gergaji bundar tidak menyentuh salah satu bagian dari dudukan bawah. Setel ulang sedikit, bila perlu.

**PERINGATAN:** Setelah memasang mata gergaji bundar baru dan dengan kartrid baterai dilepaskan, selalu pastikan bahwa mata gergaji bundar tidak menyentuh bagian dudukan bawah saat pegangan diturunkan sepenuhnya. Jika mata gergaji bundar mengenai dudukan, maka hal ini akan menyebabkan hentakan balik dan mengakibatkan cedera badan yang serius.

► **Gbr.23**

**PERHATIAN:** Selalu kembalikan tuas penghenti ke posisi semula setelah disetel.

## Lengan penahan

Posisi batas bawah mata gergaji bundar dapat dengan mudah disetel dengan lengan penahan. Untuk menyetelnya, gerakkan lengan penahan dalam arah panah seperti yang ditunjukkan pada gambar. Putar sekrup penyetel sehingga mata gergaji bundar berhenti di posisi yang diinginkan ketika pegangan diturunkan sepenuhnya.

► **Gbr.24:** 1. Sekrup penyetel 2. Lengan penahan

**PERHATIAN:** Selalu tahan pegangan dengan kuat saat menyetel. Kelalaian dalam melakukannya dapat menyebabkan mesin melompat dan mengakibatkan cedera.

## Menyetel sudut miter

**PERHATIAN:** Setelah mengubah sudut miter, selalu kencangkan dudukan putar dengan mengembalikan tuas kunci/pelepas dalam posisi terkunci dan kencangkan gagang kuat-kuat.

**PEMBERITAHUAN:** Saat memutar dudukan putar, pastikan untuk menaikkan pegangan sepenuhnya.

1. Putar gagang berlawanan arah jarum jam. Lalu tekan dan tahan tuas kunci ke dalam posisi terbuka.

2. Tahan dan ayunkan gagang dari sisi ke sisi untuk memutar dudukan putar.

3. Seajarkan penunjuk dengan sudut yang diinginkan pada skala sudut miter.

4. Lepaskan tuas kunci dan kencangkan gagang.

► **Gbr.25:** 1. Gagang 2. Tuas kunci 3. Penunjuk 4. Skala sudut miter

## Fungsi berhenti positif

Gergaji adu manis ini menggunakan fungsi penghentian positif. Anda dapat mengatur sudut miter kanan/kiri 0°, 15°, 22,5°, 31,6°, 45°, dan 60° dengan cepat.

1. Putar gagang berlawanan arah jarum jam

2. Tekan dan tahan tuas kunci dalam posisi terbuka.

3. Putar dudukan putar mendekati sudut henti positif yang Anda inginkan dan lepaskan tuas kunci.

4. Putar dudukan putar pada sudut henti positif yang diinginkan hingga kancang.

5. Kencangkan gagang.

► **Gbr.26:** 1. Gagang 2. Tuas kunci 3. Sudut henti positif

**CATATAN:** Untuk menyetel dudukan putar dari fungsi henti positif, tekan tuas pelepas. Dudukan putar dapat digerakkan ke mana pun tanpa menahan tuas kunci. Ayunkan gagang untuk memutar dudukan putar ke posisi yang Anda inginkan, lalu kencangkan gagang.

► **Gbr.27:** 1. Tuas pelepas

## Menyetel sudut siku-siku

**PERHATIAN:** Setelah mengubah sudut siku-siku, selalu kunci posisi lengan dengan mengencangkan kenop tiang geser searah jarum jam.

**PEMBERITAHUAN:** Selalu lepaskan pembatas-pembatas pemandu atas dan ragum vertikal sebelum menyetel sudut siku-siku.

**PEMBERITAHUAN:** Saat memiringkan mata gergaji bundar, pastikan untuk menaikkan mesin sepenuhnya.

**PEMBERITAHUAN:** Ketika mengubah sudut siku-siku, pastikan untuk menyimpan papan garitan dengan benar seperti yang dijelaskan dalam bagian untuk memosisikan papan garitan.

**PEMBERITAHUAN:** Jangan mengencangkan kenop di tiang geser terlalu kencang. Jika melakukannya dapat menyebabkan kegagalan fungsi mekanisme penguncian sudut siku-siku.

## Memiringkan mata gergaji bundar ke kiri

1. Putar knop pada tiang geser berlawanan arah jarum jam.  
▶ **Gbr.28:** 1. Knop
2. Tarik dan putar tuas kancing ke posisi sesuai gambar.  
▶ **Gbr.29:** 1. Tuas kancing
3. Tahan gagang dan miringkan mesin ke kiri.
4. Sejajarkan penunjuk dengan sudut yang diinginkan pada skala sudut siku-siku.
5. Kencangkan kenop searah jarum jam untuk mengunci lengan mesin.  
▶ **Gbr.30:** 1. Kenop 2. Pegangan 3. Penunjuk 4. Skala sudut siku-siku

## Memiringkan mata gergaji bundar ke kanan

1. Putar kenop pada tiang geser berlawanan arah jarum jam.
2. Tahan gagang dan miringkan mesin ke kiri sedikit.
3. Miringkan mesin ke kanan sambil menekan tombol pelepas untuk sudut siku-siku sisi kanan.
4. Sejajarkan penunjuk dengan sudut yang diinginkan pada skala sudut siku-siku.
5. Kencangkan kenop searah jarum jam untuk mengunci lengan mesin.  
▶ **Gbr.31:** 1. Kenop 2. Pegangan 3. Tombol pelepas untuk sudut siku-siku sisi kanan 4. Skala sudut siku-siku

## Miringkan mata gergaji bundar menggunakan fungsi henti positif

Gergaji adu manis ini menggunakan fungsi penghentian positif. Anda dapat mengatur sudut 22,5° dan 33,9° ke kanan dan kiri dengan cepat.

1. Putar kenop pada tiang geser berlawanan arah jarum jam.
2. Putar kedudukan mesin mendekati sudut henti positif yang Anda inginkan sembari menaikkan tuas kancing.
3. Setel tuas kancing dalam posisi horizontal.
4. Miringkan mesin ke arah sudut henti positif yang Anda inginkan hingga kencing.
5. Untuk mengubah sudut, tarik tuas kancing ke arah depan mesin, lalu miringkan kembali mesin.
6. Kencangkan kenop searah jarum jam untuk mengunci lengan mesin.  
▶ **Gbr.32:** 1. Kenop 2. Tuas kancing

## Memiringkan mata gergaji bundar di luar rentang 0° - 45°

1. Putar kenop pada tiang geser berlawanan arah jarum jam.
2. Tahan gagang dan miringkan mesin hingga 45° ke kiri atau kanan.
3. Tarik mesin sedikit ke belakang, lalu geser tuas pelepas untuk sudut siku-siku 48° ke arah depan mesin.
4. Miringkan mesin lebih jauh ke kiri atau kanan sembari mempertahankan tuas tetap dilepas.
5. Kencangkan kenop searah jarum jam untuk mengunci lengan mesin.  
▶ **Gbr.33:** 1. Kenop 2. Pegangan 3. Tuas pelepas untuk sudut bevel 48°

## Kerja sakelar

**⚠️PERINGATAN:** Sebelum memasang kartrid baterai pada mesin, selalu periksa untuk memastikan pelatuk sakelar berfungsi dengan baik dan kembali ke posisi “MATI” saat dilepas. Jangan menarik dalam-dalam pelatuk sakelar tanpa menekan tombol pengunci. Hal ini bisa merusak sakelar. Penggunaan mesin dengan sakelar yang tidak berfungsi dengan baik dapat menyebabkan kehilangan kontrol dan cedera badan serius.

**⚠️PERINGATAN:** JANGAN PERNAH menggunakan mesin tanpa picu sakelar yang berfungsi dengan benar. Setiap mesin dengan sakelar yang tidak berfungsi SANGAT BERBAHAYA dan harus diperbaiki sebelum penggunaan lebih lanjut atau cedera badan serius dapat terjadi.

**⚠️PERINGATAN:** JANGAN PERNAH mengakali tombol buka kunci dengan menyelotip atau menggunakan alat-alat lainnya. Sakelar tanpa tombol buka kunci dapat mengakibatkan pengoperasian yang tidak diinginkan dan cedera badan serius.

**⚠️PERINGATAN:** JANGAN PERNAH menggunakan mesin jika mesin tersebut menyala ketika Anda hanya menarik picu sakelarnya tanpa menekan tuas buka kunci. Sakelar yang memerlukan perbaikan dapat mengakibatkan pengoperasian yang tidak diinginkan dan cedera badan serius. Kembalikan mesin ke pusat layanan Makita untuk diperbaiki dengan benar SEBELUM menggunakannya lebih lanjut.

- **Gbr.34:** 1. Pelatuk sakelar 2. Tombol pengunci  
3. Lubang untuk gembok

Untuk mencegah pelatuk sakelar tertarik dengan tidak sengaja, tersedia sebuah tombol pengunci. Untuk menjalankan mesin, tekan tombol pengunci dan tarik pelatuk sakelar. Lepaskan pelatuk sakelar untuk berhenti.

Lubang disediakan pada pelatuk sakelar untuk memasukkan gembok untuk mengunci mesin.

**⚠️PERINGATAN:** Jangan mengunci dengan anak kunci atau kabel yang diameternya lebih kecil dari 6,35 mm. Anak kunci atau kabel yang lebih kecil mungkin tidak dapat mengunci mesin dengan benar dalam posisi mati dan pengoperasian yang tidak disengaja dapat terjadi yang mengakibatkan cedera badan serius.

## Mengarahkan garis potong

**⚠️PERHATIAN:** Lampu tidak bersifat anti-hujan. Jangan mencuci lampu dengan air atau menggunakannya saat hujan atau di tempat yang basah. Tindakan seperti itu dapat menyebabkan sengatan listrik dan uap.

**⚠️PERHATIAN:** Jangan menyentuh lensa lampu karena itu sangat panas saat dinyalakan atau sesaat setelah dimatikan. Hal ini dapat menyebabkan luka bakar.

**⚠️PERHATIAN:** Jangan sampai terjadi benturan pada lampu yang dapat mengakibatkan kerusakan atau memperpendek usia pakai lampu.

**⚠️PERHATIAN:** Jangan melihat lampu atau sumber cahaya secara langsung.

Lampu LED mengarahkan cahaya pada mata gergaji bundar, dan bayangan bilah jatuh ke benda kerja yang berfungsi sebagai indikator garis potong bebas-kalibrasi. Tekan tombol lampu untuk memancarkan cahaya. Garis muncul di mana mata pisau akan bertemu permukaan benda kerja, yang menjadi lebih dalam saat mata pisau diturunkan.

- **Gbr.35:** 1. Tombol lampu 2. Lampu 3. Garis pemotongan

Indikator membantu memotong garis pemotongan yang dibuat pada benda kerja.

1. Tahan pegangan dan turunkan mata gergaji bundar sehingga bayangan mata pisau yang rapat terbentuk di benda kerja.
2. Sejajarkan garis pemotongan yang dibuat pada benda kerja dengan bayangan garis pemotongan.
3. Sesuaikan sudut miter dan sudut siku-siku jika perlu.

**CATATAN:** Pastikan sakelar lampu dimatikan setelah digunakan karena lampu yang menyala akan menghabiskan daya baterai.

**CATATAN:** Lampu mati secara otomatis 5 menit setelah Anda menghentikan pengoperasian.

## Fungsi elektronik

### Rem elektrik

Mesin ini dilengkapi dengan rem pisau elektrik. Jika mesin selalu gagal melakukan penghentian fungsi secara cepat setelah pelatuk sakelar dilepaskan, lakukan servis mesin di pusat servis Makita.

**⚠️PERHATIAN:** Sistem rem pisau bukanlah pengganti pelindung mata pisau. Jangan pernah gunakan mesin tanpa pelindung mata pisau yang berfungsi. Mata pisau yang tidak berpelindung dapat mengakibatkan cedera serius.

## Kontrol kecepatan konstan

Mesin memiliki kontrol kecepatan elektronik yang membantu memberikan kecepatan putaran mata pisau konstan bahkan saat diberi beban. Kecepatan putaran mata pisau yang konstan akan menghasilkan potongan yang halus.

## Fitur awal pengerjaan lembut

Fungsi ini memungkinkan menyalakan mesin dengan halus dengan membatasi torsi awal.

## PERAKITAN

**⚠️ PERINGATAN:** Selalu pastikan bahwa mesin dimatikan dan kartrid baterai dilepas sebelum menjalankan mesin. Kelalaian dalam mematikan dan melepaskan kartrid baterai dapat mengakibatkan cedera badan yang serius.

## Penyimpanan kunci L

Saat tidak digunakan, simpan kunci L seperti terlihat pada gambar agar tidak hilang.

► **Gbr.36:** 1. Kunci L

## Melepas dan memasang mata gergaji

**⚠️ PERINGATAN:** Selalu pastikan bahwa mesin dimatikan dan kartrid baterai dilepas sebelum melepas atau memasang mata gergaji bundar. Mesin yang dinyalakan secara tidak sengaja dapat menyebabkan cedera serius.

**⚠️ PERINGATAN:** Gunakan hanya kunci pas Makita yang tersedia untuk melepas dan memasang mata gergaji bundar. Kelalaian dalam menggunakan kunci pas dapat mengakibatkan terlalu kencang atau kurang kencangnya baut soket segi enam dan cedera serius.

**⚠️ PERINGATAN:** Jangan pernah gunakan atau ganti komponen yang tidak disediakan bersama dengan mesin ini. Menggunakan komponen tersebut dapat menyebabkan cedera diri.

**⚠️ PERINGATAN:** Setelah memasang mata gergaji bundar, pastikan bahwa pelindung mata gergaji bundar terpasang dengan kuat. Pemasangan mata gergaji bundar yang kendur dapat menyebabkan cedera diri.

## Melepas mata pisau

Untuk melepaskan mata gergaji bundar, lakukan langkah-langkah berikut ini:

1. Kunci mesin dalam posisi yang dinaikkan dengan menarik dan memutar pasak penahan pada posisi terkunci.

► **Gbr.37:** 1. Pasak penahan 2. Posisi terbuka 3. Posisi terkunci

2. Gunakan kunci L untuk melonggarkan baut segi enam yang menahan penutup tengah. Lalu, naikkan pelindung mata pisau dan penutup tengah.

► **Gbr.38:** 1. Kunci L 2. Baut kepala segi enam 3. Penutup tengah 4. Pelindung mata pisau

3. Tekan kunci poros untuk mengunci spindel, dan gunakan kunci L untuk mengendurkan baut soket segi enam searah jarum jam. Lalu lepas baut soket segi enam, flensa luar, dan mata gergaji bundar.

► **Gbr.39:** 1. Baut soket segi enam (putar kiri) 2. Flensa luar 3. Kunci poros

4. Jika flensa dalam dilepaskan, pasang ini pada spindel dengan sisi ceruk pisau menghadap ke mata gergaji bundar. Jika flensa dipasang dengan salah, flensa akan bergesekan dengan mesin.

► **Gbr.40:** 1. Baut soket segi enam (putar kiri) 2. Flensa luar 3. Mata gergaji bundar 4. Cincin 5. Flensa dalam 6. Spindel 7. Sisi ceruk

## Memasang mata pisau

**⚠️ PERINGATAN:** Sebelum memasang pisau ke dalam spindel, selalu pastikan cincin yang benar untuk lubang arbor pisau yang Anda tentukan untuk digunakan dipasang antara flensa dalam dan luar. Penggunaan cincin lubang arbor yang tidak tepat dapat menyebabkan pemasangan yang tidak tepat pada pisau yang menyebabkan gerakan pisau dan getaran parah yang menyebabkan hilangnya kendali selama pengoperasian dan cedera personal yang serius.

**⚠️ PERHATIAN:** Pastikan untuk memasang mata gergaji bundar sehingga arah panah pada mata pisau sesuai dengan yang ada pada kotak mata pisau. Kegagalan dalam melakukannya dapat mengakibatkan cedera dan dapat merusak mesin dan/atau benda kerja.

Untuk memasang mata gergaji bundar, lakukan langkah-langkah berikut ini:

1. Pasangkan mata gergaji bundar dengan hati-hati ke flensa dalam. Pastikan arah panah pada mata pisau sesuai dengan arah mata gergaji bundar panah kotak mata pisau.

► **Gbr.41:** 1. Tanda panah pada kotak mata pisau 2. Tanda panah pada mata gergaji bundar

2. Pasang flensa luar dan baut soket segi enam, dan kemudian gunakan kunci L untuk mengencangkan baut soket segi enam berlawanan arah jarum jam dengan kuat sambil menekan kunci poros.

► **Gbr.42:** 1. Baut soket segi-enam (putar kiri) 2. Flensa luar 3. Mata gergaji bundar 4. Cincin 5. Flensa dalam 6. Spindel 7. Sisi ceruk

3. Kembalikan pelindung mata pisau dan penutup tengah ke posisi semula. Kemudian kencangkan baut kepala segi enam searah jarum jam untuk mengencangkan penutup tengah.

4. Tarik dan putar pasak penahan di posisi terbuka untuk melepaskan mesin dari posisi terangkat. Turunkan mesin dan periksa bahwa pelindung mata pisau bergerak dengan benar.

**⚠PERHATIAN:** Pastikan kunci poros telah melepas spindle sebelum melakukan pemotongan.

## Menyambungkan pengisap debu

Ketika Anda ingin melakukan operasi pemotongan yang bersih, sambungkan pengisap debu Makita ke nosel debu (port debu atas) menggunakan manset depan 24 (aksesori opsional).

- **Gbr.43:** 1. Manset depan 24 2. Selang 3. Pengisap debu

## Kantong debu

**⚠PERHATIAN:** Saat menjalankan pemotongan, selalu tempelkan kantong debu atau sambungkan pengisap debu untuk mencegah bahaya yang berkaitan dengan debu.

Penggunaan kantong debu membuat pekerjaan pemotongan menjadi bersih dan mempermudah pengumpulan debu. Untuk memasang kantong debu, lepaskan selang pengumpulan debu dari mesin, lalu pasang kantong debu ke nosel debu (port debu atas).

- **Gbr.44:** 1. Selang pengumpulan debu 2. Kantong debu 3. Nosel debu (port debu atas)

Ketika kantong debu sudah berisi kira-kira setengah penuh, lepas kantong debu dari mesin dan cabut pengencangnya. Kosongkan isi kantong debu, tepuk dengan perlahan untuk membuang partikel-partikel yang menempel di bagian dalam yang mungkin bisa menghambat pengumpulan debu selanjutnya.

- **Gbr.45:** 1. Pengencang

## Mengencangkan benda kerja

**⚠PERINGATAN:** Merupakan hal yang sangat penting untuk selalu mengencangkan benda kerja dengan tipe ragum atau penahan cetakan berbingkai yang benar. Kegagalan dalam melakukannya dapat mengakibatkan cedera badan serius dan dapat merusak mesin dan/atau benda kerja.

**⚠PERINGATAN:** Ketika memotong benda kerja yang lebih panjang dari dudukan tumpuan gergaji adu manis, topang keseluruhan panjang material di bawah dudukan tumpuan untuk menjaga material tetap sejajar. Tumpuan benda kerja yang memadai membantu untuk menghindari jepitan mata pisau dan hentakan balik yang dapat menyebabkan cedera badan serius. Jangan hanya mengandalkan pada ragum vertikal dan/atau horizontal untuk mengikat benda kerja. Bahan yang tipis cenderung akan merosot. Topang benda kerja pada keseluruhan panjangnya untuk menghindari kemungkinan jepitan mesin dan HENTAKAN BALIK.

- **Gbr.46:** 1. Tumpuan 2. Dudukan putar

## Pembatas-pembatas pemandu

**⚠PERINGATAN:** Sebelum mengoperasikan mesin, pastikan pembatas atas telah terpasang dengan kencang.

**⚠PERINGATAN:** Sebelum melakukan pemotongan siku-siku, pastikan tidak ada bagian mesin, terutama mata gergaji, yang menyentuh pembatas atas dan bawah ketika mengangkat dan menurunkan pegangan di posisi apa pun dan ketika menggerakkan mesin hingga mencapai batasnya. Jika mesin atau mata pisau menyentuh pembatas, hal ini dapat mengakibatkan hentakan balik atau gerakan material secara tak terduga dan menyebabkan cedera serius.

Gunakan pembatas atas untuk menahan material yang lebih tinggi dari pembatas bawah. Masukkan pembatas atas ke dalam lubang pada pembatas bawah dan kencangkan sekrup penjepit.

- **Gbr.47:** 1. Pembatas atas 2. Pembatas bawah 3. Sekrup penjepit 4. Sekrup penyatel

**PEMBERITAHUAN:** Pembatas bawah terpasang pada dudukan pada pemasangan pabrik. Jangan lepaskan pembatas bawah.

**PEMBERITAHUAN:** Jika pembatas atas masih kendur setelah mengencangkan sekrup penjepit, putar sekrup penyatel untuk mengencangkan. Sekrup penyatel telah disetel dari pabrik. Anda tidak perlu menggunakannya kecuali diperlukan.

Ketika tidak menggunakan pembatas atas, Anda dapat menyimpannya di pipa sub dudukan. Gunakan klip pada pembatas atas untuk memasangnya pada pipa sub dudukan.

- **Gbr.48:** 1. Sub dudukan 2. Pembatas atas 3. Klip

## Ragum vertikal

**⚠PERINGATAN:** Benda kerja harus terpasang kuat pada dudukan putar dan pembatas pemandu dengan menggunakan ragum selama pengoperasian. Jika benda kerja tidak terpasang dengan kuat pada pembatas, material dapat bergerak selama operasi pemotongan yang menyebabkan kerusakan pada mata gergaji, menyebabkan material terlempar, dan kehilangan kendali yang mengakibatkan cedera serius.

Ragum vertikal dapat dipasang baik di sisi kiri atau kanan dudukan dan sub dudukan. Masukkan batang ragum ke dalam lubang pada dudukan atau sub dudukan.

- **Gbr.49:** 1. Ragum vertikal 2. Lubang untuk ragum vertikal 3. Sub dudukan 4. Dudukan

- **Gbr.50:** 1. Lengan ragum 2. Batang ragum 3. Sekrup penjepit 4. Knop ragum



Posisikan lengan ragum sesuai dengan ketebalan dan bentuk benda kerja lalu kunci posisi lengan ragum dengan mengencangkan sekrup. Jika sekrup penjepit mengenai mesin, pasang ragum vertikal pada sub dudukan atau sisi berlawanan dari dudukan. Pastikan bahwa tidak ada bagian dari mesin yang menyentuh ragum saat menurunkan pegangan sepenuhnya. Jika ada yang menyentuh ragum, posisikan kembali ragumnya.

Tekan benda kerja secara merata pada pembatas pemandu dan dudukan putar. Posisi benda kerja pada posisi pemotongan yang diinginkan dan kunci posisinya kuat-kuat dengan mengencangkan knop ragum.

**CATATAN:** Untuk mengatur benda kerja dengan cepat, memutar knop ragum 90° berlawanan arah jarum jam memungkinkan knop ragum digerakkan ke atas dan bawah. Untuk mengencangkan benda kerja setelah pengaturan, putar knop ragum searah jarum jam.

## Ragum horizontal

### Pilihan Aksesori

**⚠️PERINGATAN:** Selalu putar mur ragum searah jarum jam hingga benda kerja terpasang dengan kuat. Jika benda kerja tidak terpasang dengan kuat material dapat bergerak selama operasi pemotongan yang menyebabkan kerusakan pada mata gergaji bundar, menyebabkan material terlempar, dan kehilangan kendali yang mengakibatkan cedera serius.

**⚠️PERINGATAN:** Ketika memotong benda kerja yang tipis seperti papan alas, dengan menghadap pembatas, selalu gunakan ragum horizontal.

**⚠️PERHATIAN:** Ketika memotong benda kerja dengan ketebalan 20 mm atau lebih tipis, pastikan untuk menggunakan balok penganjal untuk mengencangkan benda kerja.

Ragum horizontal dapat dipasang di sisi kiri atau kanan dudukan. Ketika melakukan pemotongan miter dengan sudut 22,5° atau lebih, pasang ragum horizontal di sisi yang berlawanan dengan arah putaran dudukan putar.

► **Gbr.51:** 1. Pelat ragum 2. Mur ragum 3. Knop ragum

Dengan memutar mur ragum berlawanan arah jarum jam, ragum dilepaskan, dan bergerak keluar dan masuk dengan cepat. Untuk memegang gagang benda kerja, tekan knop ragum hingga pelat ragum bersentuhan dengan benda kerja lalu putar mur ragum berlawanan arah jarum jam. Lalu putar knop ragum searah jarum jam untuk memasang benda kerja dengan kuat.

**CATATAN:** Lebar benda kerja yang dapat dikencangkan menggunakan ragum horizontal adalah 228 mm.

## Sub dudukan

**⚠️PERINGATAN:** Selalu topang benda kerja panjang sehingga sejajar dengan permukaan atas dudukan putar untuk potongan yang akurat dan untuk mencegah kehilangan kontrol mesin yang berbahaya. Tumpuan benda kerja yang memadai dapat membantu menghindari jepitan mata pisau dan hentakan balik yang dapat menyebabkan cedera badan serius.

**⚠️PERINGATAN:** Sebelum melakukan pemotongan, selalu pastikan sub dudukan terpasang dengan kuat menggunakan sekrup.

Untuk menahan benda kerja panjang secara horizontal, sub dudukan disediakan pada kedua sisi mesin. Kendurkan sekrup dan tarik sub dudukan hingga mencapai panjang yang sesuai untuk menahan benda kerja. Lalu kencangkan sekrup.

► **Gbr.52:** 1. Sub dudukan 2. Sekrup

Ketika memotong, letakkan benda kerja secara merata pada pembatas pemandu dan anak pembatas pada sub dudukan.

► **Gbr.53:** 1. Pembatas pemandu 2. Anak pembatas 3. Sub dudukan

## PENGUNAAN

Mesin ini digunakan untuk memotong produk yang terbuat dari kayu. Dengan mata gergaji asli Makita yang sesuai, benda-benda berikut ini juga dapat digergaji:

— Produk aluminium

Baca situs web kami atau hubungi dealer Makita setempat Anda untuk mata gergaji bundar yang tepat digunakan untuk material yang akan dipotong.

**⚠️PERINGATAN:** Pastikan bahwa mata gergaji tidak menyentuh benda kerja, dsb. sebelum sakelar dinyalakan. Menyalakan mesin dengan mata pisau yang mengenai benda kerja dapat menyebabkan hentakan balik dan cedera badan serius.

**⚠️PERINGATAN:** Setelah pekerjaan pemotongan, jangan menaikkan mata gergaji sampai mata pisau benar-benar berhenti. Naiknya mata pisau yang bergerak meluncur dapat menyebabkan cedera badan serius dan kerusakan pada benda kerja.

**⚠️PERINGATAN:** Jangan lakukan penyetelan apa pun seperti memutar gagang, knop, dan tuas pada mesin ketika mata gergaji berputar. Penyetelan saat mata pisau berputar dapat menyebabkan cedera serius.

**PEMBERITAHUAN:** Sebelum menggunakan, pastikan bahwa pasak penahan terbuka dan lepaskan pegangan dari posisi diturunkan.

**PEMBERITAHUAN:** Jangan terlalu menekan pegangan saat memotong. Gaya yang terlalu banyak dapat mengakibatkan kelebihan beban pada motor dan/atau penurunan efisiensi pemotongan. Tekan pegangan ke bawah hanya dengan gaya yang diperlukan untuk pemotongan halus dan tanpa menurunkan kecepatan mata pisau secara signifikan.

**PEMBERITAHUAN:** Tekan pegangan ke bawah perlahan untuk melakukan pemotongan. Jika pegangan ditekan dengan kuat atau diberi gaya lateral, pisau akan bergetar dan meninggalkan tanda (tanda gergaji) di benda kerja dan presisi pemotongan akan berkurang.

**PEMBERITAHUAN:** Selama pemotongan menyerong, tekan perlahan mesin ke arah pembatas pemandu tanpa berhenti. Jika pergerakan pegangan terhenti selama pemotongan, hal tersebut dapat meninggalkan tanda pada benda kerja dan presisi pemotongan dapat terganggu.

## Tekan pemotongan

**PERINGATAN:** Selalu kunci gerakan pergeseran pegangan ketika melakukan pemotongan tekan. Melakukan pemotongan tanpa kunci dapat menyebabkan kemungkinan hentakan balik yang mengakibatkan cedera badan serius.

Benda kerja yang tingginya sampai 92 mm dan lebarnya 183 mm dapat dipotong dengan cara berikut.

► **Gbr.54:** 1. Pasak penahan

1. Tekan pegangan ke arah pembatas pemandu hingga berhenti dan kunci menggunakan pasak penahan.
2. Kencangkan benda kerja dengan tipe ragum yang sesuai.
3. Nyalakan mesin dengan kondisi mata gergaji bundar tidak menyentuh apa pun dan tunggu sampai mata gergaji bundar mencapai kecepatan penuh sebelum menurunkan.
4. Turunkan pegangan secara perlahan sampai ke posisi diturunkan sepenuhnya untuk memotong benda kerja.
5. Saat pemotongan selesai, matikan mesin dan **tunggu sampai mata gergaji bundar benar-benar berhenti** sebelum mengembalikan mata gergaji bundar ke posisi dinaikkan sepenuhnya.

## Potongan menyerong (dorong) (memotong benda kerja lebar)

**PERINGATAN:** Ketika melakukan pemotongan menyerong, pertama-tama tarik mesin secara penuh ke arah Anda dan tekan pegangan sepenuhnya ke bawah, lalu dorong mesin ke arah pembatas pelindung. Jangan pernah memulai pemotongan dengan mesin yang tidak ditarik ke arah Anda sepenuhnya. Jika Anda melakukan pemotongan menyerong tanpa menarik penuh mesin ke arah Anda hentakan balik yang tidak diharapkan dapat terjadi dan mengakibatkan cedera badan serius.

**PERINGATAN:** Jangan pernah mencoba melakukan pemotongan menyerong dengan menarik mesin ke arah Anda. Menarik mesin ke arah Anda ketika proses pemotongan dapat menyebabkan hentakan balik yang tidak diharapkan yang mengakibatkan cedera badan serius.

**PERINGATAN:** Jangan pernah melakukan pemotongan menyerong dengan pegangan yang terkunci pada posisi lebih rendah.

► **Gbr.55:** 1. Pasak penahan

1. Buka pasak penahan sehingga pegangan dapat bergeser dengan bebas.
2. Kencangkan benda kerja dengan tipe ragum yang sesuai.
3. Tarik mesin secara penuh ke arah Anda.
4. Nyalakan mesin dengan kondisi mata gergaji tidak menyentuh apa pun dan tunggu sampai mata gergaji mencapai kecepatan penuh.
5. Tekan pegangan ke bawah dan **dorong mesin ke arah pembatas pelindung dan ke arah benda kerja**.
6. Saat pemotongan selesai, matikan mesin dan **tunggu sampai mesin benar-benar berhenti** sebelum mengembalikan mata gergaji ke posisi dinaikkan sepenuhnya.

## Pemotongan sudut miter

Lihat bagian untuk menyetel sudut miter.

## Pemotongan siku-siku

**⚠️ PERINGATAN:** Setelah menyetel mata pisau untuk potongan siku-siku, pastikan mesin dan mata gergaji dapat menjangkau dengan bebas seluruh rentang pemotongan yang diinginkan.

Gangguan pada mesin atau jangkauan mata pisau selama pemotongan dapat mengakibatkan hentakan balik dan cedera badan serius.

**⚠️ PERINGATAN:** Selama melakukan potongan siku-siku, jauhkan tangan Anda dari jalur mata gergaji. Sudut mata pisau dapat disangka sebagai jalur mata pisau sebenarnya oleh operator ketika memotong dan sentuhan dengan mata pisau dapat mengakibatkan cedera badan serius.

**⚠️ PERINGATAN:** Mata gergaji tidak boleh dinaikkan hingga mata pisau benar-benar berhenti. Selama potongan siku-siku bagian yang dipotong dapat terjatuh ke arah mata gergaji. Jika mata pisau dinaikkan ketika sedang berputar, potongan dapat dilontarkan oleh mata pisau yang menyebabkan bahan menjadi pecahan yang dapat mengakibatkan cedera badan serius.

**PEMBERITAHUAN:** Saat menekan pegangan ke bawah, beri tekanan yang sejajar dengan mata pisau. Jika tekanan diberikan tegak lurus dengan dudukan putar atau jika arah tekanan diganti selama pemotongan, presisi pemotongan akan terganggu.

### ► Gbr.56

1. Lepaskan pembatas atas pada sisi arah Anda memiringkan pegangan.
2. Buka pasak penahan.
3. Setel sudut siku-siku sesuai prosedur yang dijelaskan pada bagian untuk penyetulan sudut siku-siku. Lalu kencangkan knop.
4. Kencangkan benda kerja dengan ragum.
5. Tarik mesin secara penuh ke arah Anda.
6. Nyalakan mesin dengan kondisi mata pisau tidak menyentuh apa pun dan tunggu sampai mata pisau mencapai kecepatan penuh.
7. Turunkan pegangan perlahan sepenuhnya ke posisi yang lebih rendah ketika menekan secara sejajar dengan mata pisau dan **dorong mesin ke arah pembatas pelindung untuk memotong benda kerja.**
8. Saat pemotongan selesai, matikan mesin dan **tunggu sampai mesin benar-benar berhenti** sebelum mengembalikan mata pisau ke posisi dinaikkan sepenuhnya.

## Pemotongan campuran

Pemotongan campuran adalah proses di mana sudut siku-siku dibuat secara bersamaan saat sudut miter dibuat di benda kerja. Pemotongan campuran dapat dilakukan pada sudut yang ditunjukkan pada tabel.

Sudut miter	Sudut siku-siku
Kiri dan Kanan 0° - 45°	Kiri dan Kanan 0° - 45°

Saat melakukan pemotongan campuran, merujuklah pada bagian untuk pemotongan tekan, pemotongan menyerong (dorong), pemotongan sudut miter, dan potongan siku-siku.

## Memotong papan dudukan

**⚠️ PERHATIAN:** Pastikan untuk menggunakan ragum horizontal (aksesori pilihan) ketika memotong papan dudukan.

**⚠️ PERHATIAN:** Ketika memotong benda kerja dengan ketebalan 20 mm atau lebih tipis, pastikan untuk menggunakan balok pengganjal untuk mengencangkan benda kerja.

Ketika memotong papan alas pada sudut miter 45°, pasang tuas penghenti untuk mencegah kotak mata pisau menyentuh papan dudukan. Ini akan menjaga jarak antara papan dudukan dengan kotak mata pisau ketika mesin sepenuhnya didorong ke depan. Lihat pada SPESIFIKASI untuk kapasitas pemotongan papan dudukan.

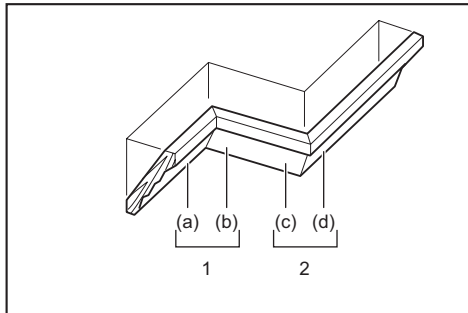
- **Gbr.57:** 1. Tuas penghenti 2. Balok pengganjal 3. Ragum horizontal

## Memotong cetakan berbingkai dan melengkung

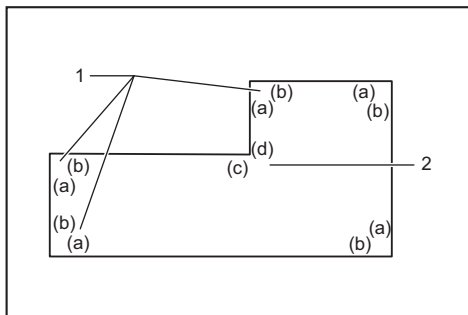
Cetakan berbingkai dan melengkung dapat dipotong dengan gergaji miter kombinasi dengan cetakan diletakkan lurus pada dudukan putar. Terdapat dua tipe cetakan berbingkai pada umumnya dan satu tipe cetakan melengkung, cetakan berbingkai dengan sudut dinding 52/38°, cetakan berbingkai dengan sudut dinding 45° dan cetakan melengkung dengan sudut dinding 45°.

- **Gbr.58:** 1. Cetakan berbingkai tipe 52/38° 2. Cetakan berbingkai tipe 45° 3. Cetakan melengkung tipe 45°

Terdapat gabungan cetakan berbingkai dan melengkung yang dibuat untuk menyesuaikan dengan sudut 90° “dalam” ((a) dan (b) pada gambar) dan sudut 90° “luar” ((c) dan (d) pada gambar.)



1. Sudut dalam 2. Sudut luar



1. Sudut dalam 2. Sudut luar

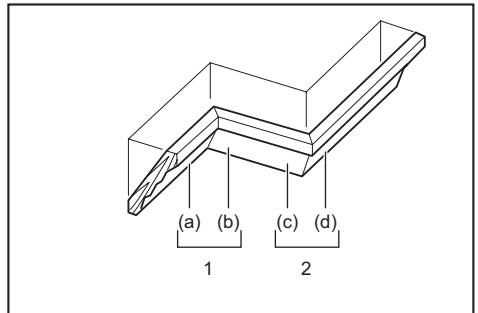
## Mengukur

Ukur lebar dinding dan sesuaikan lebar benda kerja dengan dinding. Selalu pastikan lebar dinding benda kerja yang menyentuh tepian memiliki panjang yang sama dengan dinding.

► **Gbr.59:** 1. Benda kerja 2. Lebar dinding 3. Lebar benda kerja 4. Tepian yang menyentuh dinding

Selalu gunakan beberapa potongan untuk menguji pemotongan untuk memeriksa sudut gergaji. Ketika memotong cetakan berbingkai dan melengkung, atur sudut siku-siku dan sudut miter seperti yang ditunjukkan pada tabel (A) dan posisikan cetakan pada bagian atas permukaan dudukan gergaji seperti yang ditunjukkan pada tabel (B).

## Untuk kasus pemotongan siku-siku kiri



1. Sudut dalam 2. Sudut luar

Tabel (A)

-	Posisi cetakan pada gambar	Sudut siku-siku		Sudut miter	
		Tipe 52/38°	Tipe 45°	Tipe 52/38°	Tipe 45°
Untuk sudut dalam	(a)	Kiri 33,9°	Kiri 30°	Kanan 31,6°	Kanan 35,3°
	(b)			Kiri 31,6°	Kiri 35,3°
Untuk sudut luar	(c)			Kanan 31,6°	Kanan 35,3°
	(d)				

Tabel (B)

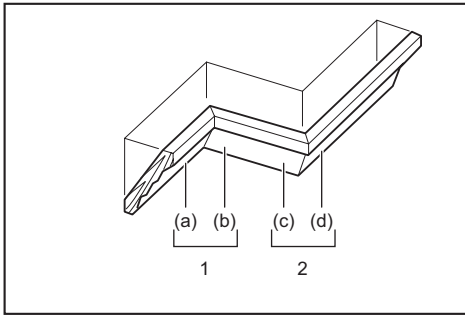
-	Posisi cetakan pada gambar	Tepian cetakan pada pembatas pelindung	Potongan yang telah selesai
Untuk sudut dalam	(a)	Tepian yang menyentuh dinding harus berlawanan dengan pembatas pelindung.	Potongan yang telah selesai akan berada pada sisi kiri mata pisau.
	(b)	Tepian yang menyentuh dinding harus berlawanan dengan pembatas pelindung.	
Untuk sudut luar	(c)	Tepian yang menyentuh dinding harus berlawanan dengan pembatas pelindung.	Potongan yang telah selesai akan berada pada sisi Kanan mata pisau.
	(d)	Tepian yang menyentuh langit-langit harus berlawanan dengan pembatas pelindung.	

Contoh:

Pada kasus pemotongan cetakan berbingkai tipe 52/38° untuk posisi (a) pada gambar di atas:

- Miringkan dan kencangkan pengaturan sudut siku-siku ke 33,9° KIRI.
- Setel dan kencangkan pengaturan sudut miter ke 31,6° KANAN.
- Simpan cetakan berbingkai dengan permukaan bagian belakang yang luas (tersembunyi) menghadap ke bawah pada dudukan putar dengan TEPIAN YANG MENYENTUH LANGIT-LANGIT berlawanan dengan pembatas pelindung pada gergaji.
- Potongan yang telah selesai yang akan digunakan akan selalu berada pada sisi KIRI mata pisau setelah pemotongan dilakukan.

## Untuk kasus potongan siku-siku kanan



1. Sudut dalam 2. Sudut luar

Tabel (A)

-	Posisi cetakan pada gambar	Sudut siku-siku		Sudut miter	
		Tipe 52/38°	Tipe 45°	Tipe 52/38°	Tipe 45°
Untuk sudut dalam	(a)	Kanan 33,9°	Kanan 30°	Kanan 31,6°	Kanan 35,3°
	(b)			Kiri 31,6°	Kiri 35,3°
Untuk sudut luar	(c)	Kanan 33,9°	Kanan 30°	Kanan 31,6°	Kanan 35,3°
	(d)			Kiri 31,6°	Kiri 35,3°

Tabel (B)

-	Posisi cetakan pada gambar	Tepiian cetakan pada pembatas pelindung	Potongan yang telah selesai
Untuk sudut dalam	(a)	Tepiian yang menyentuh dinding harus berlawanan dengan pembatas pemandu.	Potongan yang telah selesai akan berada pada sisi Kanan mata pisau.
	(b)	Tepiian yang menyentuh langit-langit harus berlawanan dengan pembatas pemandu.	
Untuk sudut luar	(c)	Tepiian yang menyentuh langit-langit harus berlawanan dengan pembatas pemandu.	Potongan yang telah selesai akan berada pada sisi kiri mata pisau.
	(d)	Tepiian yang menyentuh dinding harus berlawanan dengan pembatas pemandu.	

Contoh:

Pada kasus pemotongan cetakan berbingkai tipe 52/38° untuk posisi (a) pada gambar di atas:

- Miringkan dan kencangkan pengaturan sudut siku-siku ke 33,9° KANAN.
- Setel dan kencangkan pengaturan sudut miter ke 31,6° KANAN.
- Simpan cetakan berbingkai dengan permukaan bagian belakang yang luas (tersembunyi) menghadap ke bawah pada dudukan putar dengan TEPIAN YANG MENYENTUH DINDING berlawanan dengan pembatas pemandu pada gergaji.
- Potongan yang telah selesai yang akan digunakan akan selalu berada pada sisi KANAN mata pisau setelah pemotongan dilakukan.

## Penahan cetakan berbingkai

### Pilihan Aksesori

Penahan cetakan berbingkai memungkinkan pemotongan cetakan berbingkai dengan lebih mudah tanpa memiringkan mata gergaji. Pasang penahan pada dudukan putar seperti yang ditunjukkan pada gambar.

### Pada sudut miter kanan 45°

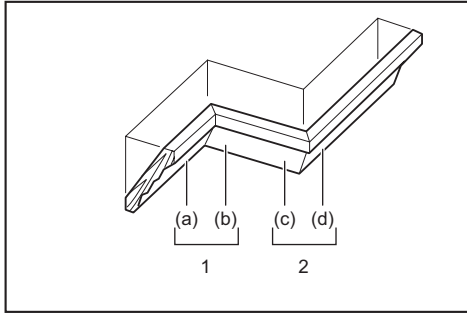
- **Gbr.60:** 1. Penahan cetakan berbingkai Kr  
2. Penahan cetakan berbingkai Kn  
3. Dudukan putar 4. Pembatas pemandu

### Pada sudut miter kiri 45°

- **Gbr.61:** 1. Penahan cetakan berbingkai Kr  
2. Penahan cetakan berbingkai Kn  
3. Dudukan putar 4. Pembatas pemandu

Posisikan cetakan berbingkai pada TEPIAN YANG MENYENTUH DINDING menghadap pembatas pemandu dan TEPIAN YANG MENYENTUH LANGIT-LANGIT menghadap penahan cetakan berbingkai seperti pada gambar. Setel penahan cetakan berbingkai sesuai ukuran cetakan berbingkai. Kencangkan sekrup untuk memasang penahan cetakan berbingkai dengan kuat. Lihat tabel (C) untuk sudut miter.

► **Gbr.62:** 1. Pembatas pemandu 2. Penahan cetakan berbingkai



1. Sudut dalam 2. Sudut luar

Tabel (C)

–	Posisi cetakan pada gambar	Sudut miter	Potongan yang telah selesai
Untuk sudut dalam	(a)	Kanan 45°	Simpan sisi kanan mata pisau
	(b)	Kiri 45°	Simpan sisi kiri mata pisau
Untuk sudut luar	(c)	Kanan 45°	Simpan sisi kanan mata pisau
	(d)		Simpan sisi kiri mata pisau

## Memotong ekstrusi aluminium

► **Gbr.63:** 1. Ragum 2. Balok penanganjal 3. Pembatas pemandu 4. Ekstrusi aluminium 5. Balok penanganjal

Saat mengencangkan ekstrusi aluminium, gunakan balok peruang atau potongan bahan bekas seperti ditunjukkan pada gambar untuk mencegah perubahan bentuk pada aluminium. Gunakan pelumas potong ketika memotong ekstrusi aluminium untuk mencegah terjadinya penumpukan bahan aluminium pada mata gergaji bundar.

**PERINGATAN:** Jangan sekali-kali mencoba untuk memotong ekstrusi aluminium yang tebal atau bulat. Ekstrusi aluminium yang tebal atau bulat akan sulit dikencangkan dan benda kerja dapat kendur saat operasi pemotongan yang menyebabkan kehilangan kontrol dan cedera serius.

## Teknik Kapasitas Pemotongan Dengan Lebar Maks. Khusus

Kapasitas pemotongan maksimum dari lebar dapat dicapai dengan mengikuti langkah-langkah di bawah ini: Untuk lebar pemotongan maksimum mesin ini, lihat pada kapasitas pemotongan untuk pemotongan khusus di bagian SPESIFIKASI.

1. Atur mesin pada sudut miter 0° atau 45° dan pastikan kedudukan putar telah terkunci. (Lihat bagian untuk penyetulan sudut miter.)
  2. Lepaskan sementara pembatas atas kanan dan kiri, lalu simpan.
  3. Potong platform sesuai dengan dimensi yang ditunjukkan dalam gambar menggunakan material kayu datar dengan ketebalan 38 mm seperti kayu, kayu lapis, atau papan partikel.
- **Gbr.64:** 1. Sudut miter 0°: Lebih dari 450 mm  
2. Sudut miter 45°: Lebih dari 325 mm  
3. 38 mm 4. Lebih dari 760 mm

**PERINGATAN:** Pastikan untuk menggunakan kayu datar sebagai platform. Kayu yang tidak datar dapat bergerak selama pemotongan yang dapat mengakibatkan hentakan balik dan cedera badan serius.

**CATATAN:** Tinggi kapasitas pemotongan maksimum akan dikurangi dengan jumlah yang sama dengan ketebalan platform.

4. Taruh platform pada mesin sehingga mesin akan meluas sama ke setiap sisi dudukan mesin. Kencangkan platform pada mesin menggunakan empat sekrup kayu 6 mm melalui empat lubang di pembatas bawah.

► **Gbr.65:** 1. Sekrup (dua di setiap sisi) 2. Pembatas bawah 3. Dudukan 4. Platform

**PERINGATAN:** Pastikan platform berbaring datar pada dudukan mesin dan terpasang kuat pada pembatas bawah menggunakan empat lubang sekrup yang disediakan. Kelalaian untuk memasang platform dengan baik dapat mengakibatkan pergerakan dan kemungkinan hentakan balik sehingga mengakibatkan cedera badan serius.

**PERINGATAN:** Pastikan mesin terpasang kuat pada permukaan stabil dan datar. Kelalaian memasang dan mengamankan mesin dengan benar dapat menyebabkan mesin menjadi tidak stabil sehingga terjadi kehilangan kontrol dan/atau mesin terjatuh yang dapat mengakibatkan cedera badan serius.

5. Pasang pembatas atas pada mesin.

**PERINGATAN:** Jangan menggunakan mesin tanpa pembatas atas terpasang. Pembatas atas memberikan penopangan memadai yang diperlukan untuk memotong benda kerja. Jika benda kerja tidak ditopang dengan baik, benda kerja dapat bergerak sehingga mengakibatkan hilangnya kendali, hentakan balik, dan cedera badan serius.

6. Taruh benda kerja yang akan dipotong pada platform yang dipasang pada mesin.
7. Pasang benda kerja dengan benar pada pembatas atas dengan ragum sebelum memotong.
  - **Gbr.66:** 1. Pembatas atas 2. Ragum vertikal 3. Benda kerja 4. Platform
8. Potong benda kerja secara perlahan sesuai dengan pekerjaan yang dijelaskan pada bagian untuk potongan menyerong (dorong).

**⚠️PERINGATAN:** Pastikan benda kerja dipasang dengan ragum dan potong secara perlahan. Kelalaian untuk melakukannya dapat mengakibatkan benda kerja bergerak sehingga menghasilkan hentakan balik dan cedera badan serius.

**⚠️PERINGATAN:** Berhati-hatilah karena platform dapat melemah setelah beberapa pemotongan dilakukan di berbagai sudut miter. Jika platform melemah karena beberapa potongan garitan yang tertinggal dalam material, platform harus diganti. Jika platform yang telah melemah tidak diganti, platform dapat mengakibatkan benda kerja bergerak selama pemotongan sehingga mengakibatkan kemungkinan terjadinya hentakan balik dan cedera badan serius.

## Pemotongan alur

**⚠️PERINGATAN:** Jangan mencoba untuk melakukan tipe pemotongan ini dengan menggunakan tipe mata pisau yang lebih lebar atau mata pisau dado. Mencoba untuk membuat potongan alur dengan mata pisau yang lebih besar atau mata pisau dado dapat menyebabkan hasil pemotongan dan hentakan balik yang tidak diharapkan yang dapat mengakibatkan cedera badan serius.

**⚠️PERINGATAN:** Pastikan untuk mengembalikan lengan penahan ke posisi semula ketika melakukan selain pemotongan alur. Mencoba untuk membuat potongan dengan lengan penahan pada posisi yang salah dapat menyebabkan hasil pemotongan dan hentakan balik yang tidak diharapkan yang dapat mengakibatkan cedera badan serius.

Untuk potongan tipe dado, lakukan hal berikut:

1. Setel posisi batas bawah mata gergaji bundar dengan menggunakan sekrup penyetel dan lengan penahan untuk membatasi kedalaman pemotongan mata gergaji bundar. Lihat pada bagian untuk lengan penahan.
2. Setelah menyetel posisi batas bawah mata gergaji bundar, potong alur sejajar melintasi sepanjang lebar benda kerja menggunakan potongan menyerong (dorong).
  - **Gbr.67:** 1. Memotong alur dengan mata pisau
3. Lepaskan bahan benda kerja di antara alur dengan alat pahat.

## Permukaan kayu

**⚠️PERINGATAN:** Gunakan sekrup untuk memasang permukaan kayu ke pembatas pelindung. Sekrup harus dipasang sehingga kepala sekrup berada di bawah permukaan kayu agar tidak menghalangi posisi bahan yang sedang dipotong. Kesalahan penempatan bahan yang sedang dipotong dapat menyebabkan pergerakan yang tidak diharapkan selama melakukan pemotongan yang dapat mengakibatkan kehilangan kontrol dan cedera badan serius.

**⚠️PERHATIAN:** Gunakan kayu yang lurus dengan ketebalan yang rata sebagai permukaan kayu.

**⚠️PERHATIAN:** Agar dapat sepenuhnya memotong benda kerja dengan tinggi 107 mm hingga 120 mm, permukaan kayu harus digunakan pada pembatas pemandu. Permukaan kayu akan memberi ruang benda kerja dari pembatas sehingga mata pisau dapat menyelesaikan pemotongan yang lebih dalam.

**PEMBERITAHUAN:** Ketika permukaan kayu dipasangkan, jangan memutar kedudukan putar dengan pegangan yang diturunkan. Mata pisau dan/atau permukaan kayu akan rusak.

Gunakan permukaan kayu untuk membantu memastikan potongan yang bebas serpihan pada benda kerja. Pasangkan permukaan kayu pada pembatas pemandu menggunakan lubang pada pembatas pemandu dan sekrup 6 mm. Lihat gambar mengenai dimensi untuk permukaan kayu yang disarankan.

- **Gbr.68:** 1. Lubang 2. Lebih dari 15 mm 3. Lebih dari 270 mm 4. 90 mm 5. 145 mm 6. 19 mm 7. 115 - 120 mm

**CONTOH** Ketika memotong benda kerja dengan tinggi 115 mm dan 120 mm, gunakan permukaan kayu dengan ketebalan berikut.

Sudut miter	Ketebalan permukaan kayu	
	115 mm	120 mm
0°	20 mm	38 mm
Kiri dan Kanan 45°	15 mm	25 mm
Kiri dan Kanan 60°	15 mm	25 mm



## Membawa mesin

Sebelum membawa mesin, pastikan Anda melepas kartrid baterai dan semua komponen gerak dari gergaji miter telah terkunci dengan kuat. Selalu periksa hal berikut:

- Kartrid baterai dilepas.
- Pegangan berada di posisi sudut siku-siku 0° dan dikencangkan.
- Pegangan diturunkan dan dikunci.
- Pegangan digeser sepenuhnya ke pembatas pemandu dan dikunci.
- Dudukan putar berada pada posisi sudut miter kanan sepenuhnya dan dikencangkan.
- Sub dudukan disimpan dan dikencangkan.

Bawa mesin dengan menahan kedua sisi dudukan mesin.

► **Gbr.69**

**⚠PERINGATAN:** Pasak penahan untuk mengangkat pegangan hanya untuk tujuan membawa atau penyimpanan dan bukan untuk pengoperasian pemotongan. Penggunaan pasak penahan untuk melakukan pemotongan dapat menyebabkan pergerakan mata gergaji bundar yang tidak diharapkan dan mengakibatkan hentakan balik dan cedera serius.

**⚠PERHATIAN:** Selalu kencangkan semua bagian yang bergerak sebelum mesin dibawa. Jika bagian mesin bergerak atau bergeser ketika sedang dibawa, kehilangan kontrol atau keseimbangan dapat terjadi dan mengakibatkan cedera badan.

**⚠PERHATIAN:** Pastikan ketinggian mesin terkunci dengan benar di bagian bawahnya oleh pasak penahan. Jika pasak penahan tidak terpasang dengan benar, mesin dapat melompat tiba-tiba dan menyebabkan cedera.

## FUNGSI PENGAKTIFAN NIRKABEL

### Kegunaan dari fungsi pengaktifan nirkabel

Fungsi pengaktifan nirkabel memungkinkan pengoperasian yang bersih dan nyaman. Dengan menyambungkan pengisap debu yang didukung ke mesin, Anda dapat menjalankan pengisap debu secara otomatis bersama dengan pengoperasian sakelar mesin.

► **Gbr.70**

Untuk menggunakan fungsi pengaktifan nirkabel, siapkan item-item berikut:

- Unit nirkabel (pilihan aksesoris)
- Pengisap debu yang mendukung fungsi pengaktifan nirkabel

Berikut ialah gambaran umum mengenai pengaturan fungsi pengaktifan nirkabel. Lihat pada masing-masing bagian untuk prosedur terperinci.

1. Memasang unit nirkabel
2. Registrasi mesin untuk pengisap debu
3. Memulai fungsi pengaktifan nirkabel

## Memasang unit nirkabel

### Pilihan Aksesoris

**⚠PERHATIAN:** Letakkan mesin pada permukaan yang datar dan stabil pada saat memasang unit nirkabel.

**PEMBERITAHUAN:** Bersihkan debu dan kotoran yang menempel pada mesin sebelum memasang unit nirkabel. Debu atau kotoran dapat mengakibatkan malafungsi jika masuk ke dalam celah unit nirkabel.

**PEMBERITAHUAN:** Untuk mencegah terjadinya malafungsi yang disebabkan oleh listrik statis, sentuh bahan yang melepaskan muatan listrik statis, seperti bagian logam pada mesin, sebelum mengambil unit nirkabel.

**PEMBERITAHUAN:** Ketika memasang unit nirkabel, selalu pastikan bahwa unit nirkabel dimasukkan dengan arah yang benar dan penutup telah benar-benar ditutup.

1. Buka penutup pada mesin sebagaimana yang ditunjukkan dalam gambar.  
► **Gbr.71:** 1. Penutup
2. Masukkan unit nirkabel ke celah dan kemudian tutup penutup.

Ketika memasang unit nirkabel, sejajarkan proyeksi dengan bagian-bagian ceruk pada celah.

- **Gbr.72:** 1. Unit nirkabel 2. Proyeksi 3. Penutup 4. Bagian-bagian ceruk

Ketika melepaskan unit nirkabel, buka penutup secara perlahan. Kait pada bagian belakang penutup akan mengangkat unit nirkabel ketika Anda menarik penutup.  
► **Gbr.73:** 1. Unit nirkabel 2. Kait 3. Penutup

Setelah melepaskan unit nirkabel, simpan unit dalam kotak yang disediakan atau wadah bebas listrik statis.

**PEMBERITAHUAN:** Selalu gunakan kait pada bagian belakang penutup pada saat melepaskan unit nirkabel. Jika kait tidak mengenai unit nirkabel, tutup penutup sepenuhnya dan buka kembali secara perlahan.

## Registrasi mesin untuk pengisap debu

**CATATAN:** Pengisap debu Makita yang mendukung fungsi pengaktifan nirkabel diperlukan untuk registrasi mesin.

**CATATAN:** Selesaikan pemasangan unit nirkabel ke mesin sebelum memulai registrasi mesin.

**CATATAN:** Jangan aktifkan sakelar berikut saat registrasi mesin:

- pelatuk sakelar pada mesin
- sakelar pengisap debu pada mesin
- sakelar daya pada pengisap debu

**CATATAN:** Lihat juga petunjuk penggunaan pengisap debu.

Jika Anda ingin mengaktifkan pengisap debu bersama dengan pengoperasian sakelar mesin, selesaikan registrasi mesin terlebih dahulu.

1. Pasang baterai ke pengisap debu dan mesin.
2. Setel sakelar siaga pada pengisap debu ke "AUTO".  
► **Gbr.74:** 1. Sakelar siaga

3. Tekan tombol pengaktifan nirkabel pada pengisap debu selama 3 detik hingga lampu pengaktifan nirkabel berkedip menjadi warna hijau. Kemudian tekan tombol pengaktifan nirkabel pada mesin dengan cara yang sama.  
► **Gbr.75:** 1. Tombol pengaktifan nirkabel 2. Lampu pengaktifan nirkabel

Jika pengisap debu dan mesin berhasil tersambung, lampu pengaktifan nirkabel akan menyala hijau selama 2 detik dan mulai berkedip dalam warna biru.

**CATATAN:** Lampu pengaktifan nirkabel akan berhenti berkedip dalam warna hijau setelah 20 detik. Tekan tombol pengaktifan nirkabel pada mesin ketika lampu pengaktifan nirkabel pada pembersih berkedip. Jika lampu pengaktifan nirkabel tidak berkedip dalam warna hijau, tekan tombol pengaktifan nirkabel sebentar dan tahan kembali.

**CATATAN:** Ketika melakukan registrasi beberapa mesin untuk satu pengisap debu, selesaikan registrasi mesin satu demi satu.

## Memulai fungsi pengaktifan nirkabel

**CATATAN:** Selesaikan registrasi mesin untuk pengisap debu sebelum pengaktifan nirkabel.

**CATATAN:** Lihat juga petunjuk penggunaan pengisap debu.

Setelah registrasi mesin ke pengisap debu, pengisap debu akan secara otomatis bekerja bersama dengan pengoperasian sakelar mesin. Tarik pelatuk sakelar pada mesin untuk mengaktifkan fungsi pengisap debu selama pengoperasian. Fungsi pengisap debu juga dapat dimulai dengan cara menekan tombol pengisap debu pada mesin di luar operasi pemotongan apa pun.

► **Gbr.76**

1. Pasang unit nirkabel ke mesin.
2. Sambungkan selang pengisap debu dengan mesin.

► **Gbr.77**

3. Setel sakelar siaga pada pengisap debu ke "AUTO".

► **Gbr.78:** 1. Sakelar siaga

4. Tekan sebentar tombol pengaktifan nirkabel pada mesin. Lampu pengaktifan nirkabel akan berkedip dalam warna biru.

► **Gbr.79:** 1. Tombol pengaktifan nirkabel 2. Lampu pengaktifan nirkabel

5. Tarik pelatuk sakelar pada mesin. Periksa apakah pengisap debu bekerja ketika pelatuk sakelar ditarik.

6. Tekan tombol pengisap debu untuk mengaktifkan fungsi penghisap debu. Periksa apakah lampu pengaktifan nirkabel menyala biru dan pembersih tetap menyala sampai Anda menekan tombol kembali.

7. Untuk menghentikan pengoperasian pengisap debu, lepaskan pelatuk sakelar atau tekan tombol pengisap debu kembali. Pengisap debu berhenti bekerja beberapa detik setelah pengoperasian sakelar, kemudian lampu berubah menjadi berkedip biru.

**CATATAN:** Alihkan status (hidupkan/matikan pembersih) dapat dipelajari dalam lampu pengaktifan nirkabel. Untuk detailnya, lihat bagian untuk deskripsi status lampu pengaktifan nirkabel.

8. Untuk menghentikan pengaktifan nirkabel pada pengisap debu, tekan tombol pengaktifan nirkabel pada mesin.

**CATATAN:** Lampu pengaktifan nirkabel pada mesin akan berhenti berkedip dalam warna biru jika tidak ada pengoperasian selama 2 jam. Dalam kasus ini, setel sakelar siaga pada pengisap debu ke "AUTO" dan tekan kembali tombol pengaktifan nirkabel pada mesin.

**CATATAN:** Pengisap debu akan mulai/berhenti dengan jeda. Ada jeda waktu ketika pengisap debu mendeteksi adanya pengoperasian sakelar mesin.













**CATATAN:** Jarak transmisi unit nirkabel dapat berbeda, tergantung lokasi dan keadaan sekitar.

**CATATAN:** Ketika beberapa mesin teregistrasi ke satu pengisap debu, pengisap debu dapat mulai bekerja meskipun Anda tidak menarik pelatuk sakelar atau menghidupkan tombol pengisap debu karena pengguna lain menggunakan fungsi pengaktifan nirkabel.

## Deskripsi mengenai status lampu pengaktifan nirkabel

### ► Gbr.80: 1. Lampu pengaktifan nirkabel

Lampu pengaktifan nirkabel menunjukkan status dari fungsi pengaktifan nirkabel. Lihat pada tabel di bawah untuk mengetahui arti dari status lampu.

Status	Lampu pengaktifan nirkabel				Deskripsi
	Warna	 Menyala	 Berkedip	Durasi	
Siaga	Biru			2 jam	Tersedia pengaktifan nirkabel pada pengisap debu. Lampu akan mati secara otomatis ketika tidak ada pengoperasian yang dilakukan selama 2 jam.
				Ketika mesin bekerja.	Tersedia pengaktifan nirkabel pada pengisap debu dan mesin bekerja.
Registrasi mesin	Hijau			20 detik	Siap untuk registrasi mesin. Menunggu registrasi oleh pengisap debu.
				2 detik	Registrasi mesin telah selesai. Lampu pengaktifan nirkabel akan mulai berkedip dalam warna biru.
Membatalkan registrasi mesin	Merah			20 detik	Siap untuk membatalkan registrasi mesin. Menunggu untuk dibatalkan oleh pengisap debu.
				2 detik	Pembatalan registrasi mesin telah selesai. Lampu pengaktifan nirkabel akan mulai berkedip dalam warna biru.
Lainnya	Merah			3 detik	Daya dialirkan ke unit nirkabel dan fungsi pengaktifan nirkabel dimulai.
	Mati	-	-	-	Pengaktifan nirkabel pada pengisap debu dihentikan.

## Membatalkan registrasi mesin untuk pengisap debu

Lakukan prosedur berikut ketika membatalkan registrasi mesin untuk pengisap debu.

1. Pasang baterai ke pengisap debu dan mesin.
2. Setel sakelar siaga pada pengisap debu ke "AUTO".
3. Tekan tombol pengaktifan nirkabel pada pengisap debu selama 6 detik. Lampu pengaktifan nirkabel berkedip dalam warna hijau dan kemudian akan menjadi merah. Setelah itu, tekan tombol pengaktifan nirkabel pada mesin dengan cara yang sama.

► Gbr.81: 1. Sakelar siaga

► Gbr.82: 1. Tombol pengaktifan nirkabel 2. Lampu pengaktifan nirkabel

Jika pembatalan berhasil dilakukan, lampu pengaktifan nirkabel akan menyala dalam warna merah selama 2 detik dan mulai berkedip dalam warna biru.

**CATATAN:** Lampu pengaktifan nirkabel berhenti berkedip dalam warna merah setelah 20 detik. Tekan tombol pengaktifan nirkabel pada mesin ketika lampu pengaktifan nirkabel pada pembersih berkedip. Jika lampu pengaktifan nirkabel tidak berkedip dalam warna merah, tekan tombol pengaktifan nirkabel sebentar dan tahan kembali.

## Pemecahan masalah fungsi pengaktifan nirkabel

Sebelum meminta perbaikan, lakukan pemeriksaan mandiri terlebih dahulu. Jika Anda menemukan masalah yang tidak dijelaskan dalam buku petunjuk ini, jangan coba membongkar mesin. Sebaliknya, hubungi Pusat Servis Resmi Makita, dan selalu gunakan suku cadang pengganti Makita untuk perbaikan.

Keadaan Tidak Normal	Kemungkinan penyebab (kerusakan fungsi)	Perbaikan
Lampu pengaktifan nirkabel tidak menyala/berkedip.	Unit nirkabel tidak dipasang ke dalam mesin. Unit nirkabel tidak dipasang dengan benar ke dalam mesin.	Pasang unit nirkabel dengan benar.
	Terminal unit nirkabel dan/atau celah kotor.	Bersihkan dengan lembut debu dan kotoran yang terdapat pada terminal unit nirkabel dan bersihkan celah.
	Tombol pengaktifan nirkabel pada mesin belum ditekan.	Tekan sebentar tombol pengaktifan nirkabel pada mesin.
	Sakelar siaga pada pengisap debu tidak disetel ke "AUTO".	Setel sakelar siaga pada pengisap debu ke "AUTO".
	Tidak ada pasokan daya	Alirkan daya ke mesin dan pengisap debu.
Tidak dapat menyelesaikan registrasi mesin/pembatalan registrasi mesin.	Unit nirkabel tidak dipasang ke dalam mesin. Unit nirkabel tidak dipasang dengan benar ke dalam mesin.	Pasang unit nirkabel dengan benar.
	Terminal unit nirkabel dan/atau celah kotor.	Bersihkan dengan lembut debu dan kotoran yang terdapat pada terminal unit nirkabel dan bersihkan celah.
	Sakelar siaga pada pengisap debu tidak disetel ke "AUTO".	Setel sakelar siaga pada pengisap debu ke "AUTO".
	Tidak ada pasokan daya	Alirkan daya ke mesin dan pengisap debu.
	Pengoperasian salah	Tekan sejenak tombol pengaktifan nirkabel dan lakukan kembali prosedur registrasi mesin/pembatalan.
	Mesin dan pengisap debu saling berjauhan satu sama lain (di luar jangkauan transmisi).	Dekatkan mesin dan pengisap debu satu sama lain. Jarak transmisi maksimum adalah sekitar 10 m, tetapi jarak dapat berbeda sesuai dengan keadaan.
	Sebelum menyelesaikan registrasi mesin/pembatalan; - pelatuk sakelar pada mesin ditarik atau; - tombol penghisap debu pada mesin dihidupkan atau; - tombol daya pada pengisap debu dihidupkan.	Tekan sejenak tombol pengaktifan nirkabel dan lakukan kembali prosedur registrasi mesin/pembatalan.
	Prosedur registrasi mesin untuk mesin atau pengisap debu belum selesai.	Lakukan prosedur registrasi mesin untuk mesin dan pengisap debu di waktu yang sama.
Gangguan radio oleh perangkat lain yang menghasilkan gelombang radio intensitas tinggi.	Jauhkan mesin dan pengisap debu dari perangkat seperti perangkat Wi-Fi dan oven microwave.	

Kondisi Tidak Normal	Kemungkinan penyebab (kerusakan fungsi)	Perbaikan
Pemisap debu tidak bekerja bersama dengan pengoperasian sakelar mesin.	Unit nirkabel tidak dipasang ke dalam mesin. Unit nirkabel tidak dipasang dengan benar ke dalam mesin.	Pasang unit nirkabel dengan benar.
	Terminal unit nirkabel dan/atau celah kotor.	Bersihkan dengan lembut debu dan kotoran yang terdapat pada terminal unit nirkabel dan bersihkan celah.
	Tombol pengaktifan nirkabel pada mesin belum ditekan.	Tekan sejenak tombol pengaktifan nirkabel dan pastikan lampu pengaktifan nirkabel berkedip dalam warna biru.
	Sakelar siaga pada pemisap debu tidak disetel ke "AUTO".	Setel sakelar siaga pada pemisap debu ke "AUTO".
	Lebih dari 10 mesin teregistrasi ke pemisap debu.	Lakukan kembali registrasi mesin. Jika lebih dari 10 mesin teregistrasi ke pemisap debu, mesin yang teregistrasi paling awal akan dibatalkan secara otomatis.
	Pemisap debu gagal meregistrasi mesin.	Perbarui registrasi mesin.
	Pemisap debu menghapus semua registrasi mesin.	Lakukan kembali registrasi mesin.
	Tidak ada pasokan daya	Alirkan daya ke mesin dan pemisap debu.
	Mesin dan pemisap debu saling berjauhan satu sama lain (di luar jangkauan transmisi).	Dekatkan mesin dan pemisap debu satu sama lain. Jarak transmisi maksimum adalah sekitar 10 m, tetapi jarak dapat berbeda sesuai dengan keadaan.
	Gangguan radio oleh perangkat lain yang menghasilkan gelombang radio intensitas tinggi.	Jauhkan mesin dan pemisap debu dari perangkat seperti perangkat Wi-Fi dan oven microwave.
Pemisap debu bekerja saat tidak ada sakelar untuk mesin yang beroperasi.	Pengguna lain sedang menggunakan pengaktifan nirkabel pemisap debu dengan mesin mereka.	Matikan tombol pengaktifan nirkabel dari mesin lain atau batalkan registrasi mesin dari mesin lain.

## PERAWATAN

**⚠️ PERINGATAN:** Selalu pastikan bahwa mesin dimatikan dan kartrid baterai dilepas sebelum melakukan pemeriksaan atau perawatan. Kelalaian dalam melepas kartrid baterai dan mematikan mesin dapat berakibat mesin menyala tiba-tiba dan mengakibatkan cedera serius.

**⚠️ PERINGATAN:** Selalu pastikan bahwa mata gergaji bundar tajam dan bersih untuk mendapatkan kinerja terbaik dan teraman. Mencoba untuk memotong dengan mata pisau yang tumpul dan / atau kotor karena akan menyebabkan hentakan balik dan menyebabkan cedera badan serius.

**⚠️ PERHATIAN:** Selalu pastikan bahwa pelindung mata pisau telah ditutup di posisi aslinya sebelum melakukan pemeriksaan atau perawatan. Jangan sekali-kali menjepit atau mengikat pelindung mata pisau ke posisi terbuka selama pembersihan. Mata pisau yang terbuka dapat mengakibatkan cedera.

**PEMBERITAHUAN:** Jangan sekali-kali menggunakan bensin, tiner, alkohol, atau bahan sejenisnya. Penggunaan bahan demikian dapat menyebabkan perubahan warna, perubahan bentuk atau timbulnya retakan.

Untuk menjaga KEAMANAN dan KEANDALAN mesin, perbaikan, perawatan atau penyetelan lainnya harus dilakukan oleh Pusat Layanan Resmi atau Pabrik Makita; selalu gunakan suku cadang pengganti buatan Makita.

## Menyetel sudut pemotongan

Mesin ini disetel dan disejajarkan dengan cermat di pabrik, namun penangan yang kasar mungkin akan mempengaruhi keseajarannya. Jika mesin Anda tidak sejajar dengan baik, lakukan sebagaimana berikut:

### Sudut miter

Turunkan pegangan sepenuhnya dan kunci pada posisi diturunkan dengan pasak penahan. Dorong mesin ke arah pembatas pemandu.

Putar gagang berlawanan arah jarum jam dan siapkan kedudukan putar untuk fungsi henti positif menggunakan tuas kunci.

Lalu kendurkan sekrup yang mengencangkan penunjuk dan skala sudut miter.

► **Gbr.83:** 1. Gagang 2. Tuas kunci 3. Sekrup pada penunjuk 4. Sekrup pada skala sudut miter 5. Skala sudut miter

Atur kedudukan putar ke posisi 0° menggunakan fungsi penahan positif. Tegakkan sisi mata gergaji bundar dengan bagian muka pembatas pemandu menggunakan penggaris segitiga atau penggaris siku-siku. Dalam posisi ditegakkan, kencangkan sekrup pada skala sudut miter. Setelah itu, sejajarkan penunjuk (kanan dan kiri) dengan posisi 0° pada skala sudut miter dan kemudian kencangkan sekrup pada penunjuk.

► **Gbr.84:** 1. Penggaris segitiga 2. Penunjuk

## Sudut siku-siku

### Sudut siku-siku 0°

Dorong mesin ke arah pembatas pemandu dan kunci gerakan geser dengan pasak penahan. Turunkan mesin sepenuhnya dan kunci pada posisi diturunkan dengan pasak penahan. Putar kenop berlawanan arah jarum jam, lalu putar baut penyetal 0° dengan dua atau tiga putaran berlawanan arah jarum jam untuk memiringkan mata gergaji bundar ke kanan.

► **Gbr.85:** 1. Kenop 2. Baut penyetal 0° 3. Sekrup pada penunjuk

Dengan hati-hati, tegakkan sisi mata gergaji bundar dengan permukaan atas dudukan putar menggunakan penggaris segitiga, penggaris siku-siku, dsb. dengan memutar baut penyetal 0° searah jarum jam. Kemudian kencangkan kenop untuk mengunci sudut 0° yang telah Anda atur.

► **Gbr.86:** 1. Penggaris segitiga 2. Mata gergaji 3. Permukaan atas dudukan putar

Periksa sekali lagi apakah bagian samping mata gergaji bundar tegak lurus dengan permukaan dudukan putar. Kendurkan sekrup pada penunjuk. Sejajarkan penunjuk dengan posisi 0° pada skala sudut siku-siku dan kencangkan sekrup.

### Sudut siku-siku 45°

**PEMBERITAHUAN:** Sebelum menyetal sudut siku-siku 45°, selesaikan penyetalan sudut siku-siku 0° terlebih dahulu.

Kendurkan knop dan miringkan pegangan sepenuhnya ke sisi yang ingin Anda periksa. Periksa apakah penunjuk mengindikasikan posisi 45° pada skala sudut siku-siku.

► **Gbr.87:** 1. Kenop

Jika penunjuk tidak mengindikasikan posisi 45°, sejajarkan pada posisi 45° dengan memutar baut penyetal di skala sudut siku-siku pada sisi dudukan yang berlawanan.

► **Gbr.88:** 1. Baut penyetal kiri 45° 2. Baut penyetal kanan 45°

## Menyetel anak pembatas

Setel anak pembatas pada sub dudukan apabila tidak sejajar dengan pembatas pemandu.

1. Longgarkan baut yang mengencangkan anak pembatas menggunakan kunci L.
2. Letakkan batang yang lurus dan kaku, seperti batang baja persegi, secara merata pada pembatas pemandu.
3. Ketika batang merata pada pembatas pemandu, letakkan anak pembatas sehingga sisi muka anak pembatas merata pada batang. Setelah itu, kencangkan baut.

► **Gbr.89:** 1. Baut 2. Anak pembatas 3. Pembatas pemandu 4. Batang kaku

## Membersihkan lensa lampu

**PERHATIAN:** Selalu lepaskan mata gergaji bundar sebelum membersihkan lensa lampu.

**PEMBERITAHUAN:** Jangan lepas sekrup yang mengunci lensa. Jika lensa tidak terlepas, kendurkan sekrup.

**PEMBERITAHUAN:** Gunakan kain kering untuk mengelap kotoran dari lensa lampu. Berhati-hatilah agar tidak menggores lensa lampu, karena dapat menurunkan tingkat penerangannya.

**PEMBERITAHUAN:** Jangan menggunakan pelarut atau pembersih berbahan minyak bumi pada lensa.

Cahaya LED menjadi sulit dilihat ketika lensa untuk cahaya mulai kotor. Bersihkan lensa secara rutin. Lepaskan kartrid baterai. Kendurkan sekrup dan keluarkan lensa. Bersihkan lensa dengan perlahan menggunakan kain halus yang basah.

► **Gbr.90:** 1. Sekrup 2. Lensa

## Setelah penggunaan

Setelah digunakan, buang geram dan debu yang menempel pada mesin menggunakan kain atau sejenisnya. Jaga agar pelindung mata pisau tetap bersih sesuai dengan petunjuk berjudul "Pelindung mata mesin" yang dijelaskan sebelumnya. Lumasi bagian yang bergeser dengan minyak mesin untuk mencegah timbulnya karat.

## AKSESORI PILIHAN

**⚠️ PERINGATAN:** Dianjurkan untuk menggunakan aksesori atau perangkat tambahan Makita ini dengan mesin Makita Anda yang ditentukan dalam petunjuk ini. Penggunaan aksesori atau perangkat tambahan lainnya dapat mengakibatkan cedera badan serius.

**⚠️ PERINGATAN:** Hanya gunakan aksesori atau perangkat tambahan Makita sesuai dengan peruntukannya. Salah penggunaan dari aksesori atau perangkat tambahan dapat mengakibatkan cedera badan serius.

Jika Anda memerlukan bantuan lebih rinci berkenaan dengan aksesori ini, tanyakan pada Pusat Layanan Makita terdekat.

- Mata gergaji berujung carbide
- Ragum vertikal
- Ragum horizontal
- Set penahan cetakan berbingkai
- Kantong debu
- Penggaris segitiga
- Kunci L
- Unit nirkabel
- Set penyangga
- Baterai dan pengisi daya asli buatan Makita

**CATATAN:** Beberapa item dalam daftar tersebut mungkin sudah termasuk dalam paket mesin sebagai aksesori standar. Hal tersebut dapat berbeda dari satu negara ke negara lainnya.



## SPESIFIKASI

<b>Model:</b>		<b>LS003G</b>
Diameter bilah	Negara Eropah	305 mm
	Negara selain daripada Eropah	305 mm
Diameter lubang	Negara Eropah	30 mm
	Negara selain daripada Eropah	30 mm atau 25.4 mm (khusus negara)
Ketebalan keratan maks. bilah gergaji		3.2 mm
Sudut miter maks.		Kanan 60°, Kiri 60°
Sudut serong maks.		Kanan 48°, Kiri 48°
Kelajuan tanpa beban (RPM)		3,600 min <sup>-1</sup>
Dimensi (P x L x T)		898 mm x 690 mm x 725 mm
Voltan terkadar		D.C. 36 V - 40 V maks
Berat bersih		30.5 - 31.1 kg

### Kapasiti pemotongan (T x L)

Sudut miter			Sudut serong		
			45° (kiri)	0°	45° (kanan)
0°	-	-	61 mm x 382 mm 71 mm x 363 mm	92 mm x 382 mm 107 mm x 363 mm	44 mm x 382 mm 54 mm x 363 mm
	Ketebalan kayu menghadap pada pagar panduan untuk ketinggian potongan ditingkatkan	20 mm	78 mm x 325 mm	115 mm x 325 mm	61 mm x 325 mm
		38 mm	80 mm x 292 mm	120 mm x 292 mm	-
45° (kanan dan kiri)	-	-	61 mm x 268 mm 71 mm x 255 mm	92 mm x 268 mm 107 mm x 255 mm	44 mm x 268 mm 54 mm x 255 mm
	Ketebalan kayu menghadap pada pagar panduan untuk ketinggian potongan ditingkatkan	15 mm	-	115 mm x 227 mm	-
		25 mm	-	120 mm x 212 mm	-
60° (kanan dan kiri)	-	-	-	92 mm x 185 mm 107 mm x 178 mm	-
	Ketebalan kayu menghadap pada pagar panduan untuk ketinggian potongan ditingkatkan	15 mm	-	115 mm x 155 mm	-
		25 mm	-	120 mm x 140 mm	-

### Kapasiti pemotongan untuk pemotongan khas

Jenis pemotongan	Kapasiti pemotongan
Acuan mahkota jenis 45° (dengan penyumbat acuan mahkota digunakan)	203 mm
Papan tapak (dengan ragum mendatar digunakan)	171 mm

- Disebabkan program penyelidikan dan pembangunan kami yang berterusan, spesifikasi yang terkandung di dalam ini adalah tertakluk kepada perubahan tanpa notis.
- Spesifikasi mungkin berbeza mengikut negara.
- Berat mungkin berbeza bergantung kepada pemasangan, termasuk kartrij bateri. Kombinasi paling ringan dan paling berat, mengikut Prosedur EPTA 01/2014, ditunjukkan di dalam jadual.

## Kartrij bateri dan pengecas yang boleh digunakan

Kartrij bateri	BL4020 / BL4025 / BL4040* / BL4050F* * : Bateri yang disyorkan
Pengecas	DC40RA / DC40RB / DC40RC

- Sesetengah kartrij bateri dan pengecas yang disenaraikan di atas mungkin tidak tersedia bergantung pada kawasan kediaman anda.

**⚠️ AMARAN:** Gunakan hanya kartrij bateri dan pengecas yang disenaraikan di atas. Penggunaan mana-mana kartrij bateri dan pengecas yang lain mungkin menyebabkan kecederaan dan/atau kebakaran.

### Simbol

Berikut menunjukkan simbol-simbol yang boleh digunakan untuk alat ini. Pastikan anda memahami maksudnya sebelum menggunakannya.



Baca manual arahan.



Pakai cermin mata keselamatan.



Untuk mengelakkan kecederaan daripada serpihan terbang, pastikan pegang kepala gergaji ke bawah, setelah membuat potongan, sehingga bilah berhenti sepenuhnya.



Apabila melakukan potongan serong, putar tombol arah lawan jam dahulu dan kemudian jongketkan pembawa. Selepas itu, putar tombol arah jam untuk mengetakkannya.



Apabila melakukan potongan gelangsar, tarik pembawa sepenuhnya dan tekan bawah pemegang, kemudian pembawa ke arah pagar panduan.



Tahan butang pelepas apabila menjongketkan pembawa ke kanan.



Lepaskan tui penahan apabila memotong papan tapak dalam sudut miter 45°.



Jangan letakkan tangan atau jari dekat dengan bilah.



Jangan merenung pada lampu operasi.



A: Diameter bilah  
B: Diameter lubang



Jangan pasang ragum mendatar ke arah yang sama seperti memotong miter. (Simbol ini digunakan pada ragum mendatar)



Hanya untuk negara-negara EU  
Disebabkan kehadiran komponen berbahaya dalam peralatan, sisa peralatan elektrik dan elektronik, akumulator dan bateri boleh memberi kesan negatif terhadap persekitaran dan kesihatan manusia.

Jangan buang alat elektrik dan elektronik atau bateri bersama dengan bahan buangan isi rumah!  
Mengikut Arahan Eropah mengenai sisa peralatan elektrik dan elektronik dan mengenai akumulator dan bateri dan sisa akumulator dan bateri serta penyesuaian dengan undang-undang negara, sisa peralatan elektrik, bateri dan akumulator hendaklah disimpan secara berasingan dan dihantar ke tempat pengumpulan berasingan untuk sisa perbandaran, beroperasi mengikut peraturan perlindungan persekitaran.  
Ini ditunjukkan oleh simbol tong sampah beroda yang bersilang pada peralatan.

### Tujuan penggunaan

Alat ini bertujuan untuk pemotongan kayu lurus dan miter yang tepat. Dengan bilah gergaji yang sesuai, aluminium juga boleh digergajikan. Jangan gunakan gergaji untuk memotong selain daripada kayu, aluminium atau bahan yang serupa.

## AMARAN KESELAMATAN

### Amaran keselamatan umum alat kuasa

**⚠️ AMARAN:** Baca semua amaran keselamatan, arahan, ilustrasi dan spesifikasi yang disediakan dengan alat kuasa ini. Kegagalan mengikut amaran dan arahan boleh menyebabkan kejutan elektrik, kebakaran dan/atau kecederaan serius.

### Simpan semua amaran dan arahan untuk rujukan masa depan.

Istilah "alat kuasa" dalam amaran merujuk kepada alat kuasa yang menggunakan tenaga elektrik (kabel) atau alat kuasa yang menggunakan bateri (tanpa kord).

### Keselamatan kawasan kerja

1. **Pastikan kawasan kerja bersih dan terang.** Kawasan berselerak atau gelap mengundang kemalangan.
2. **Jangan kendalikan alat kuasa dalam keadaan yang mudah meletup, seperti dalam kehadiran cecair, gas atau habuk yang mudah terbakar.** Alat kuasa menghasilkan percikan api yang boleh menyalakan debu atau wasap.
3. **Jauhkan kanak-kanak dan orang ramai semasa mengendalikan alat kuasa.** Gangguan boleh menyebabkan anda hilang kawalan.

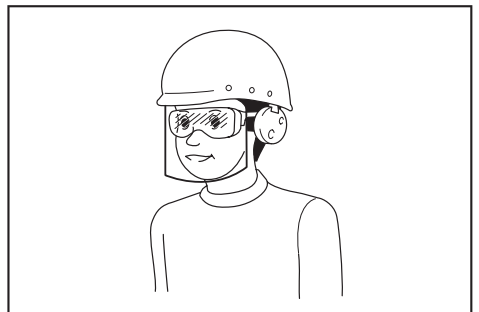
### Keselamatan elektrik

1. **Palam alat kuasa mesti sepadan dengan soket. Jangan ubah suai palam dalam apa cara sekalipun. Jangan gunakan sebarang palam penyesuai dengan alat kuasa terbumi.** Palam yang tidak diubah suai dan soket yang sepadan akan mengurangkan risiko kejutan elektrik.
2. **Elakkan sentuhan badan dengan permukaan terbumi, seperti paip, radiator, dapur dan peti sejuk.** Terdapat peningkatan risiko kejutan elektrik jika elektrik terbumi terkena badan anda.
3. **Jangan biarkan alat kuasa terkena hujan atau basah.** Air yang memasuki alat kuasa akan meningkatkan risiko kejutan elektrik.
4. **Jangan salah gunakan kord. Jangan gunakan kord untuk membawa, menarik atau mencabut palam alat kuasa. Jauhkan kord dari haba, minyak, bucu tajam atau bahagian yang bergerak.** Kord yang rosak atau tersimpul meningkatkan risiko kejutan elektrik.
5. **Semasa mengendalikan alat kuasa di luar, gunakan kord sambungan yang bersesuaian untuk kegunaan luar.** Penggunaan kord yang sesuai untuk kegunaan luar mengurangkan risiko kejutan elektrik.
6. **Sekiranya pengendalian alat kuasa di lokasi lembap tidak dapat dielakkan, gunakan bekalan peranti arus sisa (RCD) yang dilindungi.** Penggunaan RCD mengurangkan risiko kejutan elektrik.
7. **Alat kuasa boleh menghasilkan medan elektromagnetik (EMF) yang tidak berbahaya kepada pengguna.** Walau bagaimanapun, pengguna perentak jantung atau peranti perubatan yang serupa harus menghubungi pembuat peranti mereka dan/atau doktor untuk nasihat sebelum mengendalikan alat kuasa ini.

### Keselamatan diri

1. **Sentiasa berwaspada, perhatikan apa yang anda lakukan dan guna akal budi semasa mengendalikan alat kuasa. Jangan gunakan alat kuasa semasa anda letih atau di bawah pengaruh dadah, alkohol atau ubat.** Kelekaan seketika semasa mengendalikan alat kuasa boleh menyebabkan kecederaan diri yang serius.
2. **Gunakan peralatan pelindungan diri. Sentiasa pakai pelindung mata.** Peralatan pelindungan seperti topeng debu, kasut keselamatan tak mudah tergelincir, topi keselamatan atau pelindungan pendengaran yang digunakan untuk keadaan yang sesuai akan mengurangkan kecederaan diri.

3. **Elakkan permulaan yang tidak disengajakan. Pastikan suis ditutup sebelum menyambungkan kepada sumber kuasa dan/atau pek bateri, semasa mengangkat atau membawa alat.** Membawa alat kuasa dengan jari anda pada suis atau menentagakan alat kuasa dengan suis pada kedudukan hidup mengundang kemalangan.
4. **Alihkan sebarang kunci atau sepana pelaras sebelum menghidupkan alat kuasa.** Sepana atau kunci yang ditinggalkan pada bahagian berputar alat kuasa boleh menyebabkan kecederaan diri.
5. **Jangan lampau jangkau. Jaga pijakan dan keseimbangan yang betul pada setiap masa.** Ini membolehkan kawalan alat kuasa yang lebih baik dalam situasi yang tidak dijangka.
6. **Berpakaian dengan betul. Jangan pakai pakaian yang longgar atau barang kemas. Jauhkan rambut dan pakaian anda dari bahagian yang bergerak.** Pakaian longgar, barang kemas atau rambut yang panjang boleh terperangkap dalam bahagian yang bergerak.
7. **Jika peranti disediakan untuk sambungan kemudahan pengekstrakan dan pengumpulan habuk, pastikan ia disambung dan digunakan dengan betul.** Penggunaan pengumpulan habuk boleh mengurangkan bahaya berkaitan habuk.
8. **Jangan biarkan kebiasaan daripada kekerapan penggunaan alat membuat anda berpuas hati dan mengabaikan prinsip keselamatan alat.** Kecuaian boleh menyebabkan kecederaan serius dalam sekelip mata.
9. **Sentiasa pakai gogal pelindung untuk melindungi mata anda daripada kecederaan apabila menggunakan alat kuasa. Gogal mestilah mematuhi ANSI Z87.1 di AS, EN 166 di Eropah, atau AS/NZS 1336 di Australia/ New Zealand. Di Australia/New Zealand, undang-undang mengarahkan untuk memakai pelindung muka bagi melindungi muka anda, juga.**



**Menjadi tanggungjawab majikan untuk menguatkuasa penggunaan peralatan perlindungan keselamatan yang bersesuaian oleh pengendali alat dan oleh orang lain dalam kawasan bekerja semasa.**

### Penggunaan dan penjagaan alat kuasa

1. **Jangan gunakan alat kuasa dengan kasar. Gunakan alat kuasa yang betul untuk penggunaan anda.** Alat kuasa yang betul akan melakukan tugas dengan lebih baik dan lebih selamat pada kadar mana ia direka cipta.
2. **Jangan gunakan alat kuasa jika suis tidak berfungsi untuk menghidupkan dan mematakannya.** Alat kuasa yang tidak dapat dikawal dengan suis adalah berbahaya dan mesti dibaiki.
3. **Cabut palam dari sumber kuasa dan/atau keluarkan pek bateri, jika boleh ditanggalkan, dari alat kuasa sebelum membuat sebarang pelarasan, menukar aksesori, atau menyimpan alat kuasa.** Langkah-langkah keselamatan pencegahan sedemikian mengurangkan risiko memulakan alat kuasa secara tidak sengaja.
4. **Simpan alat kuasa yang tidak digunakan jauh dari jangkauan kanak-kanak dan jangan biarkan orang yang tidak biasa dengan alat kuasa atau arahan ini untuk mengendalikan alat kuasa.** Alat kuasa adalah berbahaya di tangan pengguna yang tidak terlatih.
5. **Menyelenggara alat kuasa dan aksesori. Periksa salah jajaran atau ikatan pada bahagian yang bergerak, bahagian yang pecah dan apa-apa keadaan lain yang boleh menjejaskan operasi alat kuasa. Jika rosak,baiki alat kuasa sebelum digunakan.** Kebanyakan kemalangan adalah disebabkan oleh alat kuasa yang tidak dijaga dengan baik.
6. **Pastikan alat pemotong tajam dan bersih.** Alat pemotong yang dijaga dengan betul dengan hujung pemotong yang tajam mempunyai kemungkinan yang rendah untuk terikat dan lebih mudah dikendalikan.
7. **Gunakan alat kuasa, aksesori dan alat bit dan sebagainya mengikut arahan ini dengan mengambil kira keadaan kerja dan kerja yang perlu dilakukan.** Penggunaan alat kuasa untuk operasi yang berbeza dari yang dimaksudkan boleh menyebabkan keadaan berbahaya.
8. **Pastikan pemegang dan permukaan pegangan kering, bersih dan bebas dari minyak dan gris.** Pemegang dan permukaan pegangan yang licin tidak membolehkan pengendalian dan kawalan selamat bagi alat dalam situasi yang tidak dijangka.
9. **Apabila menggunakan alat, jangan pakai sarung tangan kerja kain yang mungkin boleh kusut.** Kekusutan sarung tangan kerja kain pada bahagian yang bergerak boleh menyebabkan kecederaan diri.

### Penggunaan dan penjagaan alat bateri

1. **Cas semula dengan pengecas yang ditentukan oleh pengeluar sahaja.** Pengecas yang sesuai untuk satu jenis pek bateri mungkin menimbulkan risiko kebakaran apabila digunakan dengan pek bateri lain.
2. **Gunakan alat kuasa dengan pek bateri yang ditentukan secara khusus sahaja.** Penggunaan mana-mana pek bateri lain mungkin menimbulkan risiko kecederaan dan kebakaran.

3. **Apabila pek bateri tidak digunakan, jauhkannya daripada objek besi lain, seperti klip kertas, duit syiling, paku, skru atau objek besi kecil lain, yang boleh membuat sambungan dari satu terminal ke yang lain.** Memintas terminal bateri bersama-sama mungkin menyebabkan lecuran atau kebakaran.
4. **Di bawah keadaan kasar, cecair mungkin dikeluarkan daripada bateri; elakkan sentuhan. Jika tersentuh secara tidak sengaja, siram dengan air. Jika cecair terkena mata, dapatkan bantuan perubatan di samping siraman air.** Cecair yang dikeluarkan dari bateri mungkin menyebabkan kegatalan atau lecuran.
5. **Jangan gunakan pek bateri atau alat yang rosak atau diubah suai.** Bateri yang rosak atau diubah suai mungkin menunjukkan perilaku yang tidak dijangka menyebabkan kebakaran, letupan atau risiko kecederaan.
6. **Jangan dedahkan pek bateri atau alat kepada api atau suhu yang berlebihan.** Pendedahan kepada api atau suhu melebihi 130 °C mungkin menyebabkan letupan.
7. **Ikut semua arahan pengecasan dan jangan cas pek bateri atau alat di luar julat suhu yang ditetapkan dalam arahan.** Mengecas dengan tidak betul atau pada suhu di luar julat yang dinyatakan mungkin merosakkan bateri dan meningkatkan risiko kebakaran.

### Servis

1. **Pastikan alat kuasa anda diservis oleh orang yang berkelayakan dengan hanya menggunakan alat ganti yang sama.** Ini akan memastikan keselamatan alat kuasa dapat dikekalkan.
2. **Jangan servis pek bateri yang telah rosak.** Servis pek bateri hanya boleh dilakukan oleh pengeluar atau penyedia servis yang sah.
3. **Ikut arahan untuk melincir dan menukar aksesori.**

### Arahan keselamatan untuk gergaji miter

1. **Gergaji miter bertujuan untuk memotong produk kayu atau seakan kayu, ia tidak boleh digunakan dengan roda pemotongan lelas untuk memotong bahan ferus seperti bar, rod, kancing, dll.** Habuk lelas menyebabkan bahagian yang bergerak seperti pengadang bawah tersangkut. Percikan api daripada pemotongan lelas akan membakar pengadang bawah, masukan keratan dan bahagian plastik lain.
2. **Gunakan pengapit untuk menyokong bahan kerja apabila mungkin. Jika menyokong bahan kerja dengan tangan, anda mestilah sentiasa memastikan tangan anda sekurang-kurangnya 100 mm dari kedua-dua belah bilah gergaji. Jangan gunakan gergaji ini untuk memotong kepingan yang terlalu kecil untuk dikapit dengan kukuh atau dipegang dengan tangan.** Jika tangan anda diletakkan terlalu dekat dengan bilah gergaji, terdapat peningkatan risiko kecederaan akibat sentuhan bilah.

3. **Bahan kerja mesti pegun dan dikapit atau dipegang pada pagar dan meja. Jangan masukkan bahan kerja ke dalam bilah atau potong "bebas tangan" dalam apa cara sekalipun.** Bahan kerja yang tidak ditahan atau bergerak boleh melayang pada kelajuan tinggi, menyebabkan kecederaan.
  4. **Tolak gergaji melalui bahan kerja. Jangan tarik gergaji melalui bahan kerja. Untuk membuat potongan, naikkan kepala gergaji dan tarik keluar bahan kerja tanpa memotong, mulakan motor, tekan kepala gergaji dan turunkan gergaji melalui bahan kerja.** Memotong pada strok tarik mungkin menyebabkan bilah gergaji ter naik di atas bahan kerja dan melayangkan pemasangan bilah ke arah pengendali.
  5. **Jangan sekali-kali menyalangkan tangan anda ke atas garis pemotongan yang ditunjukkan di hadapan atau di belakang bilah gergaji.** Menyokong bahan kerja dengan "tangan bersilang" contohnya memegang benda kerja di sebelah kanan bilah gergaji dengan tangan kiri atau sebaliknya sangat berbahaya.
- **Rajah 1**
6. **Jangan menjangkau belakang pagar dengan mana-mana tangan lebih dekat daripada 100 mm dari kedua-dua belah bilah gergaji, untuk mengeluarkan sisa kayu, atau atas sebab lain ketika bilah berputar.** Jarak dekat bilah berputar dengan tangan anda mungkin tidak jelas dan anda boleh tercedera dengan serius.
  7. **Periksa bahan kerja anda sebelum memotong.** Sekiranya bahan kerja bengkok atau meleding, apitkan ia dengan muka bengkok menghadap ke arah pagar. Sentiasa pastikan bahawa tiada jarak antara bahan kerja, pagar dan meja di sepanjang garis potongan. Bahan kerja bengkok atau meleding boleh berputar atau beralih dan boleh menyebabkan kapitan pada bilah gergaji berputar semasa pemotongan. Paku dan objek asing tidak boleh wujud pada bahan kerja.
  8. **Jangan gunakan gergaji sehingga meja bebas daripada semua alat, sisa kayu dll., kecuali untuk bahan kerja.** Serpihan kecil atau kepingan kayu leraí atau objek lain yang bersentuhan dengan bilah berpusing boleh melayang dengan kelajuan tinggi.
  9. **Potong hanya satu bahan kerja pada satu masa.** Beberapa bahan kerja yang ditandakan tidak dapat dikapit atau dirembat sewajarnya dan boleh terkapit pada bilah atau beralih semasa pemotongan.
  10. **Pastikan gergaji miter dipasang atau diletakkan pada permukaan kerja yang teguh dan rata sebelum digunakan.** Permukaan kerja yang rata dan teguh mengurangkan risiko gergaji miter menjadi tidak stabil.
  11. **Rancang kerja anda. Setiap kali anda menukar tetapan sudut serong atau miter, pastikan pagar boleh laras ditetapkan dengan betul untuk menyokong bahan kerja dan tidak akan mengganggu bilah atau sistem pengadangan.** Tanpa menghidupkan alat "ON" dan tanpa bahan kerja di atas meja, gerakkan bilah gergaji melalui potongan disimulasikan lengkap untuk memastikan tiada gangguan atau bahaya terpotong pagar.
  12. **Sediakan sokongan yang mencukupi seperti sambungan meja, kekuda gergaji dll. untuk bahan kerja yang lebih luas atau lebih panjang daripada atas meja.** Bahan kerja lebih panjang atau lebih luas daripada meja gergaji miter boleh terjongket jika tidak disokong dengan kukuh. Jika kepingan potongan atau bahan kerja terjongket, ia boleh mengangkat pengadang bawah atau dilayangkan oleh bilah berputar.
  13. **Jangan gunakan orang lain sebagai pengganti untuk sambungan meja atau sebagai sokongan tambahan.** Sokongan yang tidak stabil untuk bahan kerja boleh menyebabkan bilah terkapit atau benda kerja teralih semasa operasi pemotongan menarik anda dan pembantu ke arah bilah berputar.
  14. **Kepingan potongan tidak boleh disangkut atau ditekkan dengan cara apa-apa pada bilah gergaji berputar.** Jika tersangkut, contohnya menggunakan penyekat panjang, kepingan potongan boleh tersepit pada bilah dan melayang dengan teruk.
  15. **Sentiasa gunakan pengapit atau lekapan yang dikhaskan untuk menyokong bahan bulat seperti rod atau tiub.** Rod mempunyai kecenderungan untuk bergolek semasa dipotong, menyebabkan bilah untuk "menggigit" dan menarik kerja dengan tangan anda ke dalam bilah.
  16. **Biarkan bilah mencapai kelajuan penuh sebelum menyentuh bahan kerja.** Ini akan mengurangkan risiko bahan kerja melayang.
  17. **Jika benda kerja atau bilah tersangkut, matikan gergaji miter tersebut. Tunggu semua bahagian bergerak berhenti dan cabut palam dari sumber kuasa dan/atau keluarkan pek bateri. Kemudian usahakan untuk membebaskan bahan yang tersangkut.** Meneruskan menggergaji dengan bahan kerja yang tersangkut boleh menyebabkan hilang kawalan atau kerosakan pada gergaji miter.
  18. **Selepas menyelesaikan potongan, lepaskan suis, pegang kepala gergaji dan tunggu bilah berhenti sebelum mengeluarkan kepingan potongan.** Menjangkau dengan tangan anda dekat dengan bilah peluncur adalah berbahaya.
  19. **Pegang pemegang dengan kemas semasa membuat pemotongan tidak lengkap atau apabila melepaskan suis sebelum kepala gergaji dalam kedudukan bawah sepenuhnya.** Tindakan membrek gergaji boleh menyebabkan kepala gergaji ditarik secara tiba-tiba ke bawah, menyebabkan risiko kecederaan.

20. Hanya gunakan bilah gergaji dengan diameter yang ditanda pada alat atau yang dinyatakan dalam manual. Penggunaan saiz bilah yang salah mungkin menjejaskan pengadangan bilah yang betul atau operasi pengadang yang akan menyebabkan kecederaan diri yang serius.
21. Hanya gunakan bilah gergaji yang ditanda dengan kelajuan yang sama atau lebih tinggi daripada kelajuan yang ditanda pada alat.
22. Jangan gunakan gergaji untuk memotong selain daripada kayu, aluminium atau bahan yang serupa.
23. (Untuk negara-negara Eropah sahaja) Sentiasa gunakan bilah yang mematuhi EN847-1.
10. Semasa membuat potongan gelangsar, TOLAK KELUAR boleh berlaku. TOLAK KELUAR terjadi apabila bilah terkapit di dalam bahan kerja semasa operasi pemotongan dan bilah gergaji didorong dengan pantas ke arah pengendali. Kehilangan kawalan dan kecederaan diri yang serius boleh berlaku. Jika bilah mula terkapit semasa operasi pemotongan, jangan terus memotong dan lepaskan suis serta-merta.

#### Arahan tambahan

1. Jadikan bengkel bebas kanak-kanak dengan mengunci mangga.
2. Jangan sekali-kali berdiri di atas alat. Kecederaan serius boleh berlaku jika alat terjongket atau jika alat pemotongan bersentuhan dengan tidak sengaja.
3. Jangan sekali-kali tinggalkan alat yang sedang berjalan tanpa pengawasan. Matikan kuasa. Jangan tinggalkan alat sehingga ia berhenti sepenuhnya.
4. Jangan kendalikan gergaji tanpa pengadang di tempatnya. Periksa pengadang bilah ditutup dengan betul sebelum setiap penggunaan. Jangan kendalikan gergaji jika pengadang bilah tidak bergerak dengan bebas dan tertutup serta merta. Jangan sekali-kali mengaipat atau mengikat pengadang bilah pada kedudukan terbuka.
5. Pastikan tangan keluar dari laluan bilah gergaji. Elakkan sentuhan dengan apa-apa bilah peluncur. Ia masih boleh menyebabkan kecederaan parah.
6. Untuk mengurangkan risiko kecederaan, kembalikan pembawa ke kedudukan belakang penuh selepas setiap operasi potong lintang.
7. Sentiasa memastikan semua bahagian bergerak sebelum membawa alat itu.
8. Pin penahan atau tuil penahan yang mengunci kepala pemotong adalah untuk tujuan membawa dan bagi tujuan penyimpanan sahaja dan bukan untuk sebarang operasi pemotongan.
9. Periksa bilah dengan teliti untuk melihat keretakan atau kerosakan sebelum operasi. Gantikan bilah yang telah retak atau rosak dengan segera. Gejala kayu dan damar yang mengeras pada bilah memperlambatkan gergaji dan meningkatkan potensi berlakunya tolak keluar. Pastikan bilah bersih dengan mengeluarkannya daripada alat dahulu, kemudian bersihkan dengan penanggal damar dan gejala, air panas atau kerosin. Jangan gunakan petrol untuk membersihkan bilah.
11. Gunakan hanya bebibir yang khusus untuk alat ini.
12. Berhati-hati agar tidak merosakkan arbor, bebibir (terutamanya permukaan pemasangan) atau bolt. Kerosakan kepada bahagian ini boleh mengakibatkan bilah pecah.
13. Pastikan bahawa tapak putaran dikukuhkan dengan betul supaya tidak bergerak semasa operasi. Gunakan lubang di tapak untuk memasang gergaji ke platform atau meja bangku kerja yang stabil. JANGAN SEKALI-KALI menggunakan alat di mana kedudukan pengendali adalah janggal.
14. Pastikan kunci aci dilepaskan sebelum suis dihidupkan.
15. Pastikan bilah tidak menyentuh tapak putaran pada kedudukan terendah.
16. Pegang pemegang dengan kukuh. Sila ambil perhatian bahawa gergaji bergerak ke atas atau ke bawah sedikit semasa permulaan dan berhenti.
17. Pastikan bilah tidak menyentuh bahan kerja sebelum suis dihidupkan.
18. Sebelum menggunakan alat pada bahan kerja sebenar, biarkan ia beroperasi seketika. Perhatikan getaran atau goyangan yang boleh menandakan pemasangan yang lemah atau bilah yang sangat tidak seimbang.
19. Hentikan operasi serta-merta jika anda mendapati sesuatu yang tidak normal.
20. Jangan cuba mengunci pemicu di kedudukan "ON".
21. Sentiasa menggunakan aksesori dicadangkan dalam manual ini. Penggunaan aksesori yang tidak betul seperti roda pelepas boleh menyebabkan kecederaan.
22. Sesetengah bahan mengandungi bahan kimia yang mungkin toksik. Sila berhati-hati untuk mencegah penyedutan habuk dan sentuhan kulit. Ikut data keselamatan pembekal bahan.
23. Jangan gunakan bekalan kuasa berkord dengan alat ini.

#### Peraturan keselamatan tambahan untuk lampu operasi

1. Jangan lihat ke dalam cahaya atau lihat sumber cahaya secara langsung.

## SIMPAN ARAHAN INI.

**AMARAN:** JANGAN biarkan keselesaan atau kebiasaan dengan produk (daripada penggunaan berulang) menggantikan pematuhan ketat terhadap peraturan keselamatan untuk produk yang ditetapkan. SALAH GUNA atau kegagalan mematuhi peraturan-peraturan keselamatan yang dinyatakan dalam manual arahan ini boleh menyebabkan kecederaan diri yang serius.

## Arahan keselamatan penting untuk kartrij bateri

1. Sebelum menggunakan kartrij bateri, baca semua arahan dan tanda amaran pada (1) pengecas bateri, (2) bateri, dan (3) produk menggunakan bateri.
2. Jangan buka atau cabut kartrij bateri. Ia boleh mengakibatkan kebakaran, haba berlebihan, atau letupan.
3. Jika masa operasi menjadi sangat pendek, berhenti operasi serta merta. Ia mungkin menyebabkan risiko pemanasan lampau, melecur bahkan letupan.
4. Jika elektrolit masuk ke dalam mata anda, bilas mata dengan air jernih dan dapatkan rawatan perubatan serta merta. Ia mungkin menyebabkan kehilangan penglihatan.
5. Jangan pintaskan kartrij bateri:
  - (1) Jangan sentuh terminal dengan bahan berkonduksi.
  - (2) Elakkan menyimpan kartrij bateri dalam bekas bersama-sama objek besi lain seperti paku, duit syiling, dll.
  - (3) Jangan dedahkan kartrij bateri kepada air atau hujan.

Pintasan bateri boleh menyebabkan aliran kuasa yang besar, pemanasan lampau, melecure dan juga kerosakan.

6. Jangan simpan dan gunakan alat dan kartrij bateri di lokasi yang suhunya mungkin mencapai atau melebihi 50 °C (122 °F).
7. Jangan bakar kartrij bateri walaupun jika ia rosak teruk atau haus sepenuhnya. Kartrij bateri boleh meletup dalam kebakaran.
8. Jangan paku, potong, pecahkan, buang, jatuhkan kartrij bateri, atau tekan objek keras pada kartrij bateri. Perbuatan sedemikian boleh mengakibatkan kebakaran, haba berlebihan, atau letupan.
9. Jangan gunakan bateri yang rosak.
10. **Bateri litium ion yang terkandung adalah tertakluk kepada keperluan Perundangan Barangan Berbahaya.**  
Bagi pengangkutan komersial cth. oleh pihak ketiga, ejen penghantar, keperluan khas pada pembungkusan dan pelabelan mestilah diperhatikan.

Bagi persediaan item yang dihantar, berunding dengan pakar bahan berbahaya adalah diperlukan. Sila juga perhatikan sebolehnya peraturan kebangsaan yang lebih terperinci. Lekatkan atau balut bahagian terbuka dan pek bateri supaya ia tidak bergerak dalam pembungkusan.

11. Apabila melupuskan kartrij bateri, keluarkan ia daripada alat dan lupuskan ia di tempat selamat. Ikut peraturan tempatan anda mengenai pelupusan bateri.
12. Gunakan bateri hanya dengan produk yang ditentukan oleh Makita. Memasang bateri kepada produk yang tidak patuh mungkin menyebabkan kebakaran, pemanasan lampau, atau kebocoran elektrolit.
13. Jika alat tidak digunakan untuk tempoh masa yang lama, bateri mesti dikeluarkan daripada alat.
14. Semasa dan selepas penggunaan, kartrij bateri mungkin ada haba yang boleh menyebabkan terbakar atau suhu rendah terbakar. Beri perhatian kepada pengendalian kartrij bateri yang panas.
15. Jangan sentuh terminal alat itu selepas digunakan kerana ia mungkin panas menyebabkan terbakar.
16. Jangan biarkan cip, habuk, atau tanah terperangkap ke dalam terminal, lubang, dan alur kartrij bateri. Ia mungkin menyebabkan prestasi atau pecahan yang buruk dari alat atau kartrij bateri.
17. Melainkan alat ini menyokong penggunaan yang hampir dari talian kuasa elektrik voltan tinggi, jangan gunakan kartrij bateri berhampiran talian kuasa elektrik voltan tinggi. Ia mungkin menyebabkan kerosakan atau pecah pada alat atau kartrij bateri.
18. Jauhkan bateri daripada kanak-kanak.

## SIMPAN ARAHAN INI.

**PERHATIAN:** Hanya gunakan bateri asli Makita. Penggunaan bateri tidak asli Makita, atau bateri yang telah diubah suai, mungkin menyebabkan bateri meletup menyebabkan kebakaran, kecederaan diri dan kerosakan. Ia juga membatalkan jaminan Makita untuk alat Makita dan pengecas.

## Tip untuk mengekalkan hayat bateri maksimum

1. Cas kartrij bateri sebelum ternyahcas sepenuhnya. Sentiasa hentikan operasi alat dan cas kartrij bateri apabila anda menyedari kurang kuasa alat.
2. Jangan cas semula kartrij bateri yang dicas sepenuhnya. Terlebih cas memendekkan hayat servis bateri.
3. Cas kartrij bateri dengan suhu bilik pada 10 °C - 40 °C (50 °F - 104 °F). Biarkan kartrij bateri yang panas menyejuk sebelum mengcasnya.
4. Apabila tidak menggunakan kartrij bateri, tanggalkannya dari alat atau pengecas.
5. Cas kartrij bateri jika anda tidak menggunakannya untuk tempoh yang lama (lebih daripada enam bulan).



## Arahan keselamatan yang penting untuk unit tanpa wayar

1. Jangan leraikan atau menghentak dengan unit tanpa wayar.
2. Pastikan unit tanpa wayar jauh dari kanak-kanak. Jika ditelan dengan sengaja, dapatkan segera rawatan perubatan.
3. Guna unit tanpa wayar sahaja dengan alat Makita.
4. Jangan biarkan unit tanpa wayar terkena hujan atau keadaan basah.
5. Jangan gunakan unit tanpa wayar di tempat di mana suhu melebihi 50°C (122°F).
6. Jangan mengendalikan unit tanpa wayar di tempat alat perubatan, seperti pembuat langkah jantung yang berdekatan.
7. Jangan mengendalikan unit tanpa wayar di tempat di mana peranti automatik berada berdekatan. Jika dikendalikan, peranti automatik mungkin mengalami kerosakan atau ralat.
8. Jangan mengendalikan unit tanpa wayar di tempat bawah suhu tinggi atau tempat di mana elektrik statik atau bunyi elektrik yang boleh dijana.
9. Unit tanpa wayar boleh menghasilkan medan elektromagnet (EMF) tetapi tidak membahayakan kepada pengguna.
10. Unit tanpa wayar adalah alat yang tepat. Berhati-hati untuk tidak jatuhkan atau mengetuk unit tanpa wayar.
11. Elakkan menyentuh terminal unit tanpa wayar dengan tangan kosong atau bahan logam.
12. Sentiasa keluarkan bateri pada produk apabila memasang unit tanpa wayar ke dalamnya.
13. Apabila membuka penutup slot, elakkan tempat di mana habuk dan air boleh masuk ke dalam slot. Sentiasa pastikan slot salur masuk bersih.
14. Sentiasa masukkan unit tanpa wayar ke arah yang betul.
15. Jangan tekan butang pengaktifan pada unit tanpa wayar terlalu kuat dan/atau tekan butang dengan objek dengan sisi tajam.
16. Sentiasa tutup penutup slot semasa beroperasi.
17. Jangan keluarkan unit tanpa wayar dari slot semasa kuasa sedang dibekalkan ke alat itu. Berbuat demikian boleh menyebabkan kerosakan pada unit tanpa wayar.
18. Jangan keluarkan pelekat pada unit tanpa wayar.
19. Jangan letak sebarang pelekat pada unit tanpa wayar.
20. Jangan tinggalkan unit tanpa wayar di tempat bawah suhu tinggi atau tempat di mana elektrik statik atau bunyi elektrik yang boleh dijana.
21. Jangan biarkan unit tanpa wayar di tempat yang subjek kepada haba yang tinggi, seperti kereta yang duduk di bawah sinar matahari.
22. Jangan biarkan unit tanpa wayar di tempat yang berdebu atau serbuk atau di tempat menghakis gas yang boleh dijana.
23. Perubahan suhu yang mendadak mungkin merosakkan unit tanpa wayar. Jangan gunakan unit tanpa wayar sehingga embun selesai sepenuhnya.
24. Apabila membersihkan unit tanpa wayar, perlahan-lahan lap dengan kain lembut yang kering. Jangan gunakan benzin, nipis, gris konduktif atau sebagainya.
25. Apabila menyimpan unit tanpa wayar, simpan bekas yang dibekalkan atau bekas statik percuma.
26. Jangan masukkan sebarang peranti selain unit tanpa wayar Makita ke dalam slot pada alat itu.
27. Jangan gunakan alat dengan tudung slot yang rosak. Air, habuk, dan kotoran yang masuk ke dalam slot boleh menyebabkan kerosakan.
28. Jangan tarik dan/atau memutar tudung slot lebih daripada perlu. Pulihkan tudung jika ia keluar dari alat.
29. Gantikan tudung slot jika ia hilang atau rosak.

## SIMPAN ARAHAN INI.

# KETERANGAN BAHAGIAN

## ► Rajah2

1	Tombol (untuk sudut serong)	2	Kunci allen	3	Skrup pelaras (untuk kedudukan had rendah)	4	Bolt pelaras (untuk kapasiti pemotongan maksimum)
5	Lengan penahan	6	Butang buka kunci	7	Pemicu suis	8	Penutup (untuk unit tanpa wayar)
9	Lubang untuk mangga	10	Butang pengaktifan tanpa wayar	11	Lampu pengaktifan tanpa wayar	12	Butang lampu
13	Butang vakum	14	Bekas bilah	15	Pengadang bilah	16	Pagar sub
17	Tuili kunci (untuk tapak putaran)	18	Tuili pelepas (untuk tapak putaran)	19	Genggam (untuk tapak putaran)	20	Papan keratan
21	Skala sudut miter	22	Petunjuk (untuk sudut miter)	23	Tapak putaran	24	Tapak sub
25	Butang pelepas (untuk sudut serong kanan)	26	Ragum menegak	27	Pin penahan (untuk gelang sar pembawa)	28	Lubang gelang sar

## ► Rajah3

1	Pemegang	2	Kartij bateri	3	Beg habuk (apabila digantikan dengan hos pengestrakan habuk)	4	Hos (untuk pengestrakan habuk)
5	Skala sudut serong	6	0° bolt pelaras (untuk sudut serong)	7	Penunjuk (untuk sudut serong)	8	45° bolt pelaras (untuk sudut serong)
9	Tuili pelekat (untuk sudut serong)	10	Tuili pelepas (untuk 48° sudut serong)	11	Pagar panduan (pagar atas)	12	Pagar panduan (pagar bawah)
13	Pin penahan (untuk penaikan pembawa)	14	Kunci aci	-	-	-	-

## PEMASANGAN

### Memasang genggam

Skrup aci berulir genggam ke dalam tapak putaran.

► **Rajah4:** 1. Genggam 2. Tapak putaran

### Memasang dan menanggalkan hos pengestrakan habuk

Pasangkan siku hos ke port atas dengan butang kunci menghadap ke atas. Masukkan lengan hos ke dalam port bawah, menekan dan menjajarkan butang penahan pada lengan dengan takuk panduan pada port. Pastikan bahawa siku dan lengan muat dengan baik pada port alat.

► **Rajah5:** 1. Hos pengestrakan habuk 2. Siku 3. Butang kunci 4. Lengan 5. Port Atas 6. Port Bawah

Untuk menanggalkan siku hos daripada port, tarik siku semasa menekan butang kunci.

► **Rajah6:** 1. Butang kunci 2. Siku

Untuk menanggalkan lengan hos daripada port, tarik lengan semasa menekan butang penahan pada kedua-dua sisi port.

► **Rajah7:** 1. Butang penyumbat 2. Lengan

### Pelekapan bangku

Semasa alat dihantar, pemegangnya dikunci dalam kedudukan yang diturunkan oleh pin penahan. Semasa merendahkan sedikit pemegang, tarik pin penahan dan putarkannya 90°.

► **Rajah8:** 1. Kedudukan terkunci 2. Kedudukan tidak terkunci 3. Pin penahan

Alat ini haruslah diboltkan dengan empat bolt pada permukaan yang rata dan stabil menggunakan lubang bolt yang tersedia dalam tapak alat. Ini akan membantu menggalakkan terjongket dan kemungkinan kecederaan.

► **Rajah9:** 1. Bolt

**⚠️ AMARAN:** Pastikan alat tidak bergerak pada permukaan penyokong. Pergerakan gergaji miter pada permukaan yang menyokong semasa memotong boleh menyebabkan hilang kawalan dan kecederaan diri yang serius.

## KETERANGAN FUNGSI

**⚠️AMARAN:** Sentiasa pastikan alat dimatikan dan kartrij bateri dikeluarkan sebelum menyelaras atau menyemak fungsi pada alat. Kegagalan untuk mematikan dan mengeluarkan kartrij bateri mungkin menyebabkan kecederaan diri yang serius daripada permulaan tanpa sengaja.

### Memasang atau mengeluarkan kartrij bateri

**⚠️PERHATIAN:** Sentiasa matikan alat sebelum memasang atau mengeluarkan kartrij bateri.

**⚠️PERHATIAN:** Pegang alat dan kartrij bateri dengan kukuh apabila memasang atau mengeluarkan kartrij bateri. Gagal untuk memegang alat dan kartrij bateri dengan kukuh mungkin menyebabkan mereka terlepas daripada tangan anda dan mengakibatkan kerosakan kepada alat dan kartrij bateri dan kecederaan peribadi.

► **Rajah10:** 1. Penunjuk merah 2. Butang 3. Kartrij bateri

Untuk mengeluarkan kartrij bateri, luncurkan ia daripada alat apabila meluncurkan butang di hadapan kartrij.

Untuk memasang kartrij bateri, selaraskan lidah pada kartrij bateri dengan alur pada perumah dan gelincirkan ia ke tempatnya. Masukkan ia sepenuhnya sehingga ia terkunci di tempatnya dengan klik kecil. Jika anda boleh melihat penunjuk merah seperti yang ditunjukkan dalam rajah, ia tidak dikunci sepenuhnya.

**⚠️PERHATIAN:** Sentiasa pasang kartrij bateri sepenuhnya sehingga penunjuk merah tidak boleh dilihat. Jika tidak, ia mungkin jatuh tanpa sengaja daripada alat, menyebabkan kecederaan kepada anda atau seseorang di sekeliling anda.

**⚠️PERHATIAN:** Jangan pasang kartrij bateri secara paksa. Jika kartrij tidak meluncur dengan mudah, ia tidak dimasukkan dengan betul.

### Sistem perlindungan alat / bateri

Alat dilengkapi dengan sistem perlindungan alat/bateri. Sistem ini memotong kuasa kepada motor secara automatik untuk memanjangkan hayat alat dan bateri. Alat akan berhenti secara automatik semasa operasi jika alat atau bateri diletakkan di bawah salah satu keadaan berikut.

### Perlindungan lebih beban

Apabila alat/bateri beroperasi dengan cara yang menyebabkan ia menarik arus tinggi yang luar biasa, alat secara automatik terhenti. Dalam situasi ini, matikan alat dan hentikan penggunaan yang menyebabkan alat menjadi terlebih beban. Kemudian hidupkan alat untuk mula semula.

### Perlindungan pemanasan lampau

Apabila alat/bateri terlampau panas, alat berhenti secara automatik dan lampu akan berkelip. Dalam situasi ini, biarkan alat sejuk sebelum menghidupkan semula alat.

### Perlindungan lebih nyahcas

Apabila kapasiti bateri menjadi rendah, alat akan berhenti secara automatik. Jika alat tidak berjalan walaupun suis telah beroperasi, keluarkan bateri dari alat dan cas.

### Menunjukkan kapasiti bateri yang tinggal

Tekan butang semak pada kartrij bateri untuk menunjukkan kapasiti bateri yang tinggal. Lampu penunjuk menyala untuk beberapa saat.

► **Rajah11:** 1. Lampu penunjuk 2. Butang semak

Lampu penunjuk			Kapasiti yang tinggal
Dinyalakan	Mati	Berkelip	
			75% hingga 100%
			50% hingga 75%
			25% hingga 50%
			0% hingga 25%
			Cas bateri.
			Bateri mungkin telah rosak.

**NOTA:** Bergantung kepada keadaan penggunaan dan suhu persekitaran, penunjuk mungkin berbeza sedikit daripada kapasiti sebenar.

**NOTA:** Lampu penunjuk (kiri jauh) pertama akan berkedip apabila sistem perlindungan bateri berfungsi.

## Kunci pengendali

**⚠️ PERHATIAN:** Sentiasa memegang pemegang apabila membawa pin penahan. Jika tidak pemegang akan melantun ke atas dan boleh menyebabkan kecederaan diri.

Pemegang boleh dikunci sama ada dalam kedudukan yang diturunkan atau kedudukan yang dinaikkan dengan pin penahan. Turunkan atau naikkan pemegang sepenuhnya dan kemudian tarik serta putarkan pin penahan dalam kedudukan terkunci. Untuk membuka pemegang, tarik pin penahan dan putarkannya 90° dalam kedudukan tidak terkunci semasa merendahkan sedikit pemegang.

► **Rajah12:** 1. Kedudukan terkunci 2. Kedudukan tidak terkunci 3. Pin penahan

## Kunci gelangsar

Tarik pin penahan dan putar 90° dalam kedudukan tidak terkunci bagi membolehkan pembawa bergerak bebas. Untuk mengunci gerakan gelangsar pembawa, tolak pembawa ke hadapan lengan sehingga terhenti, kemudian kembalikan pin penahan dalam kedudukan terkunci.

► **Rajah13:** 1. Kedudukan terkunci 2. Kedudukan tidak terkunci 3. Pin penahan 4. Lengan

## Pengawal bilah

**⚠️ AMARAN:** Jangan sekali-kali menanggalkan atau mengeluarkan pengadang bilah atau pegas yang dipasang pada pengadang. Bilah yang terdedah hasil daripada kegagalan pengadang boleh menyebabkan kecederaan diri yang serius semasa operasi.

**⚠️ AMARAN:** Jangan sekali-kali menggunakan alat jika pengadang bilah atau pegas musnah, rosak atau dikeluarkan. Pengendalian alat menggunakan pengadang yang musnah, rosak atau dikeluarkan boleh menyebabkan kecederaan diri yang serius.

**⚠️ PERHATIAN:** Sentiasa kekalkan pengadang bilah dalam keadaan yang baik untuk pengendalian yang selamat. Hentikan pengendalian dengan segera jika terdapat sebarang keganjilan pada pengadang bilah. Periksa untuk memastikan tindakan pulang pegas dimuatkan pengadang.

Apabila menurunkan pemegang, pengadang bilah naik secara automatik. Pengadang dimuatkan dengan pegas supaya ia kembali ke kedudukan asalnya apabila potongan selesai dan pemegangnya dinaikkan.

► **Rajah14:** 1. Pengawal bilah

## Membersih

Jika pengadang bilah lut sinar menjadi kotor atau habuk gergaji melekat padanya sehingga bilah tidak lagi mudah dilihat, tanggalkan kartrij bateri dan bersihkan pengadang dengan berhati-hati dengan kain lembap. Jangan gunakan pelarut atau mana-mana pembersih berasaskan petroleum pada pengadang plastik kerana ia boleh menyebabkan kerosakan kepada pengadang. Ikuti arahan langkah demi langkah yang disenaraikan tentang cara penyediaan untuk pembersihan.

1. Sentiasa pastikan alat dimatikan dan kartrij bateri dikeluarkan.
  2. Putarkan bolt heksagon lawan arah jam menggunakan kunci allen yang dibekalkan semasa memegang penutup tengah.
  3. Naikkan pengadang bilah dan penutup tengah.
  4. Apabila pembersihan selesai, kembalikan penutup tengah dan ketatkan bolt heksagon dengan melakukan langkah di atas secara terbalik.
  5. Pastikan anda mengembalikan bilah gergaji bulat dan penutup tengah kepada kedudukan asalnya dan ketatkan bolt heksagon.
- **Rajah15:** 1. Kunci allen 2. Bolt heksagon 3. Penutup tengah 4. Pengawal bilah

**⚠️ AMARAN:** Jangan keluarkan pegas memegang pengadang bilah. Jika pengadang rosak lama-kelamaan atau kerana pendedahan cahaya UV, hubungi pusat servis Makita untuk pengadang baharu. **JANGAN TANGGALKAN ATAU KELUARKAN PENGADANG.**

## Meletakkan papan keratan

Alat ini disediakan dengan papan keratan di tapak putaran untuk meminimumkan robekan pada sisi keluar potongan. Papan keratan adalah diselaraskan kilang supaya bilah gergaji bulat tidak menyentuh papan keratan. Sebelum digunakan, laraskan papan keratan seperti berikut:

1. Pastikan anda mengeluarkan kartrij bateri. Kemudian, longgarkan semua skru (3 masing-masing di kiri dan kanan) yang mengukuhkan papan keratan.

► **Rajah16:** 1. Papan keratan 2. Skru

**NOTA:** Skru belakang yang jauh dengan mudah boleh dilonggarkan dan diketatkan dengan memutar tapak putaran pada suatu sudut. Pastikan untuk menaikkan pemegang sepenuhnya apabila memutar tapak putaran.

2. Ketatkan semula ia sekadar papan keratan masih dapat digerakkan dengan mudah menggunakan tangan.

**NOTA:** Pastikan untuk mengembalikan tapak putaran ke sudut asal (sudut miter 0°) apabila meletakkan semula papan keratan.

3. Turunkan pemegang sepenuhnya, kemudian tarik dan putar pin penahan untuk mengunci pemegang dalam kedudukan yang diturunkan.

4. Tarik dan putar pin penahan pada tiang gelangсар bagi membolehkan pembawa menggelangсар.

► **Rajah17:** 1. Pin penahan 2. Kedudukan terkunci 3. Kedudukan tidak terkunci

5. Tarik pembawa ke arah anda sepenuhnya.

6. Laraskan papan keratan supaya papan keratan hanya menyentuh tepi gigi bilah.

► **Rajah18**

► **Rajah19:** 1. Bilah gergaji 2. Gigi bilah 3. Papan keratan 4. Potongan serong kiri 5. Potongan lurus 6. Potongan serong kanan

7. Ketatkan skru depan (jangan ketatkan dengan kemas).

8. Tolak pembawa ke arah pagar panduan sepenuhnya dan laraskan papan keratan supaya papan keratan hanya menyentuh sisi gigi bilah.

9. Ketatkan skru tengah (jangan ketatkan dengan kukuh).

10. Selepas melaraskan papan keratan, lepaskan pin penahan untuk kunci pengendali dan naikan pemegang. Kemudian ketatkan semua skru dengan kemas.

**NOTIS:** Selepas menetapkan sudut serong, pastikan papan keratan dilaraskan dengan betul. Pelarasan papan keratan yang betul membantu memberikan sokongan yang betul kepada bahan kerja dan meminimumkan robekan bahan kerja.

## Mengekalkan kapasiti pemotongan maksimum

Alat ini adalah diselarasakan oleh kilang untuk menyediakan kapasiti pemotongan maksimum untuk 305 mm bilah gergaji.

Semasa memasang bilah gergaji bulat baharu, sentiasa periksa kedudukan had bawah bilah gergaji bulat dan jika perlu, laraskan ia seperti berikut:

1. Keluarkan kartrij bateri. Kemudian putarkan tuil penahan ke kedudukan terlibat.

► **Rajah20:** 1. Tuil penahan

2. Tolak pembawa ke arah pagar panduan sepenuhnya dan turunkan pemegang sepenuhnya.

► **Rajah21:** 1. Pagar panduan 2. Bolt pelaras

3. Gunakan kunci allen untuk memutar bolt pelaras sehingga bilah gergaji bulat berada sedikit di bawah keratan rentas pagar panduan dan permukaan atas tapak putaran.

► **Rajah22:** 1. Permukaan atas tapak putaran 2. Pagar panduan

4. Putar bilah dengan tangan sambil memegang pemegang sepenuhnya ke bawah untuk memastikan bahawa bilah gergaji bulat tidak menyentuh mana-mana bahagian tapak bawah. Laraskan semula sedikit, jika perlu.

**AMARAN:** Selepas memasang bilah gergaji bulat baharu dan dengan kartrij bateri ditanggalkan, pastikan bahawa bilah gergaji bulat tidak menyentuh mana-mana bahagian tapak bawah apabila pemegang diturunkan sepenuhnya. Jika bilah gergaji bulat menyentuh tapak, ia boleh menyebabkan tolak keluar dan menyebabkan kecederaan diri yang serius.

► **Rajah23**

**PERHATIAN:** Sentiasa kembalikan tuil penahan kepada kedudukan asal selepas pelarasan.

## Lengan penahan

Kedudukan had bawah bilah gergaji bulat boleh diselarasakan dengan mudah menggunakan lengan penahan. Untuk melaraskannya, gerakkan lengan penahan mengikut arah anak panah yang ditunjukkan dalam rajah. Putarkan skru pelaras supaya bilah gergaji bulat berhenti pada kedudukan yang diinginkan apabila menurunkan pemegang sepenuhnya.

► **Rajah24:** 1. Skru pelaras 2. Lengan penahan

**PERHATIAN:** Sentiasa pegang pemegang dengan kukuh semasa melaraskan. Kegagalan berbuat demikian boleh menyebabkan pembawa tercampak dan mengakibatkan kecederaan.

## Melaraskan sudut miter

**PERHATIAN:** Selepas menukar sudut miter, sentiasa kukuhkan tapak putaran dengan mengembalikan tuil kunci/pelepas dalam kedudukan terkunci dan mengetatkan genggam dengan kuat.

**NOTIS:** Semasa memutar tapak putaran, pastikan anda mengangkat pemegang sepenuhnya.

1. Putar genggam lawan arah jam. Kemudian tekan dan tahan tuil kunci ke dalam kedudukan tidak terkunci.

2. Pegang dan hayun genggam daripada sisi ke sisi untuk memutar tapak putaran.

3. Sejajarkan penunjuk dengan sudut yang diinginkan pada skala sudut miter.

4. Lepaskan tuil kunci dan ketatkan genggam.

► **Rajah25:** 1. Genggam 2. Tuil kunci 3. Penunjuk 4. Skala sudut miter

## Fungsi henti positif

Gergaji miter ini menggunakan fungsi henti positif. Anda boleh menetapkan 0°, 15°, 22.5°, 31.6°, 45°, dan 60° sudut miter kiri/kanan dengan cepat.

1. Putar genggam lawan arah jam

2. Tekan dan tahan tuil kunci dalam kedudukan tidak terkunci.

3. Putarkan tapak putaran rapat ke kedudukan hentian positif yang anda inginkan dan lepaskan tuil kunci.

- Putarkan tapak putaran pada sudut hentian positif yang diingini sehingga ia kukuh.
  - Ketatkan genggam.
- **Rajah26:** 1. Genggam 2. Tuil kunci 3. Sudut henti positif

**NOTA:** Untuk membebaskan tapak putaran daripada fungsi hentian positif, tekan tuil pelepas ke bawah. Tapak putaran boleh dipindahkan dengan bebas tanpa menahan tuil kunci. Hayunkan genggam untuk memutarakan tapak putaran ke sudut yang anda inginkan dan kemudian ketatkan genggam.

- **Rajah27:** 1. Tuil pelepas

## Melaraskan sudut serong

**⚠PERHATIAN:** Selepas menukar sudut serong, sentiasa kukuhkan lengan dengan mengetatkan tuil mengikut arah jam Lubang gelangсар.

**NOTIS:** Sentiasa tanggalkan pagar panduan atas dan ragam menegak sebelum melaraskan sudut serong.

**NOTIS:** Semasa menjongketkan bilah gergaji bulat, pastikan pembawa diangkat sepenuhnya.

**NOTIS:** Semasa menukar sudut serong, pastikan anda meletakkan papan keratan yang dengan betul seperti yang dijelaskan dalam bahagian untuk meletakkan papan keratan.

**NOTIS:** Jangan ketatkan tombol pada tiang gelangсар terlalu kuat. Berbuat demikian boleh menyebabkan pincang tugas ke atas mekanisme penguncian sudut serong.

## Menjongket bilah gergaji bulat ke kiri

- Putarkan tombol pada tiang gelangсар lawan arah jam.
- **Rajah28:** 1. Tombol
- Tarik dan naikkan tuil pelekat ke atas untuk membenarkan pergerakan bebas lengan pembawa.
- **Rajah29:** 1. Tuil pelekat
- Pegang pemegang dan jongketkan pembawa ke kiri.
  - Sejajarkan penunjuk dengan sudut yang diingini pada skala sudut serong.
  - Ketatkan tombol arah jam untuk mengukuhkan lengan pembawa.
- **Rajah30:** 1. Tombol 2. Pemegang 3. Penunjuk 4. Skala sudut serong

## Menjongket bilah gergaji bulat ke kanan

- Putarkan tombol pada tiang gelangсар lawan arah jam.
- Pegang pemegang dan jongketkan pembawa ke kiri sedikit.
- Jongketkan pembawa ke kanan semasa menekan butang pelepas untuk sudut serong sisi kanan.

- Sejajarkan penunjuk dengan sudut yang diingini pada skala sudut serong.
  - Ketatkan tombol arah jam untuk mengukuhkan lengan pembawa.
- **Rajah31:** 1. Tombol 2. Pemegang 3. Butang pelepas untuk sudut serong sisi kanan 4. Skala sudut serong

## Menjongketkan bilah gergaji bulat menggunakan fungsi hentian positif

Gergaji miter ini menggunakan fungsi henti positif. Anda boleh menetapkan sudut 22.5° dan 33.9° ke kedua-dua kanan dan kiri dengan cepat.

- Putarkan tombol pada tiang gelangсар lawan arah jam.
  - Jongketkan pembawa rapat ke kedudukan hentian positif yang anda inginkan semasa menaikkan tuil pelekat ke atas.
  - Tetapkan tuil pelekat dalam kedudukan mendatar.
  - Jongketkan pembawa pada sudut hentian positif yang anda inginkan sehingga ia kukuh.
  - Untuk menukar sudut, tarik tuil pelekat ke arah hadapan alat dan kemudian jongket semula pembawa.
  - Ketatkan tombol arah jam untuk mengukuhkan lengan pembawa.
- **Rajah32:** 1. Tombol 2. Tuil pelekat

## Menjongket bilah gergaji bulat melebihi julat 0° - 45°

- Putarkan tombol pada tiang gelangсар lawan arah jam.
  - Pegang pemegang dan jongketkan pembawa sehingga 45° ke kiri atau ke kanan.
  - Tarik pembawa ke belakang sedikit dan luruskan tuil pelepas untuk sudut serong 48° dalam arah ikut arah jam.
  - Jongketkan pembawa selanjutnya ke kiri atau kanan di samping memastikan tuil dilepaskan.
  - Ketatkan tombol arah jam untuk mengukuhkan lengan pembawa.
- **Rajah33:** 1. Tombol 2. Pemegang 3. Tuil pelepas untuk 48° sudut serong

## Tindakan suis

**⚠️ AMARAN:** Sebelum memasang katrij bateri ke dalam alat, sentiasa periksa untuk melihat pemicu suis bergerak dengan betul dan kembali ke posisi "OFF" apabila dilepaskan. Jangan tarik pemicu suis dengan kuat tanpa menekan butang buka kunci. Ini boleh menyebabkan suis rosak. Mengendalikan alat dengan suis yang tidak bergerak dengan betul boleh menyebabkan hilang kawalan dan kecederaan diri yang serius.

**⚠️ AMARAN:** JANGAN SEKALI-KALI menggunakan alat tanpa pemicu suis yang beroperasi sepenuhnya. Apa-apa alat yang mempunyai suis tidak beroperasi adalah SANGAT BERBAHAYA dan mesti dibaiki sebelum penggunaan selanjutnya atau kecederaan diri yang serius akan berlaku.

**⚠️ AMARAN:** JANGAN SEKALI-KALI gagalkan butang buka kunci dengan mengetuk atau dengan cara yang lain. Suis dengan butang buka kunci yang tidak berfungsi mungkin menyebabkan operasi yang tidak disengajakan dan kecederaan diri yang serius.

**⚠️ AMARAN:** JANGAN SEKALI-KALI gunakan alat jika ia berjalan apabila anda hanya menarik pemicu suis tanpa menekan butang buka kunci. Suis yang perlu dibaiki mungkin menyebabkan operasi yang tidak disengajakan dan kecederaan diri yang serius. Kembalikan alat kepada pusat servis Makita untuk pembaikan yang betul SEBELUM penggunaan seterusnya.

- **Rajah34:** 1. Pemicu suis 2. Butang buka kunci  
3. Lubang untuk mangga

Untuk mengelakkan pemicu suis daripada ditarik secara tidak sengaja, butang buka kunci disediakan. Untuk memulakan alat, tekan ke dalam butang buka kunci dan tarik pemicu suis. Lepaskan pemicu suis untuk berhenti. Lubang disediakan dalam pemicu suis untuk memasukkan mangga untuk mengunci alat.

**⚠️ AMARAN:** Jangan gunakan kunci dengan batang atau kabel berdiameter lebih kecil daripada 6.35 mm. Batang atau kabel yang lebih kecil mungkin tidak mengunci alat dengan betul di kedudukan mati dan operasi yang tidak disengajakan mungkin berlaku yang mengakibatkan kecederaan diri yang serius.

## Menuang garisan pemotongan

**⚠️ PERHATIAN:** Lampu bukan kalis hujan. Jangan cuci lampu di dalam air atau menggunakannya di bawah hujan atau di kawasan basah. Tingkah laku sedemikian boleh menyebabkan kejutan elektrik dan asap.

**⚠️ PERHATIAN:** Jangan sentuh kanta lampu, kerana ia sangat panas semasa ia menyala atau beberapa ketika selepas dimatikan. Ini boleh menyebabkan melecur.

**⚠️ PERHATIAN:** Jangan menggunakan impak kepada lampu, yang boleh menyebabkan kerosakan atau masa perkhidmatan yang singkat.

**⚠️ PERHATIAN:** Jangan lihat ke dalam cahaya atau lihat sumber cahaya secara langsung.

Lampu LED memancarkan cahaya di atas bilah gergaji bulat, dan bayang-bayang bilah jatuh di atas bahan kerja yang bertindak sebagai penunjuk garisan pemotongan bebas kalibrasi. Tekan butang lampu untuk mengeluarkan cahaya. Satu garis muncul di mana bilah akan mencapai permukaan bahan kerja, menjadi semakin mendalam apabila bilah direndahkan.

- **Rajah35:** 1. Butang lampu 2. Lampu 3. Garisan pemotongan

Penunjuk membantu memotong melalui garis potongan sedia ada yang dilukis pensel pada bahan kerja.

1. Pegang pemegang dan rendahkan bilah gergaji bulat agar bayang padat bilah terpantul pada bahan kerja.
2. Sejajarkan garis potongan yang dilukis pada bahan kerja dengan garis potongan berbayang.
3. Laraskan sudut miter dan sudut serong jika perlu.

**NOTA:** Pastikan anda mematikan suis lampu selepas digunakan kerana menghidupkan lampu akan menggunakan kuasa bateri.

**NOTA:** Lampu mati secara automatik selama 5 minut selepas anda menghentikan operasi.

## Fungsi elektronik

### Brek elektrik

Mesin ini dilengkapi dengan brek bilah elektrik. Jika alat ini secara konsisten gagal untuk berhenti berfungsi dengan cepat selepas pemicu suis dilepaskan, bawa alat ke pusat servis kami.

**⚠️ PERHATIAN:** Sistem brek bilah bukan pengganti untuk pengawal bilah. Jangan sesekali menggunakan alat tanpa pengawal bilah berfungsi. Bilah tanpa pelindung mungkin mengakibatkan kecederaan diri yang serius.

### Kawalan kelajuan malar

Alat disediakan dengan kawalan kelajuan putaran yang membantu mengekalkan kelajuan putaran bilah yang tekal bahkan di bawah beban. Kelajuan putaran bilah yang tekal akan menghasilkan potongan yang sangat lancar.



## Ciri mula ringan

Fungsi ini membolehkan permulaan alat yang lancar dengan menghadkan tork permulaan.

## PEMASANGAN

**⚠️AMARAN:** Sentiasa pastikan yang alat dimatikan dan kartrij bateri dikeluarkan sebelum menggunakan alat. Kegagalan untuk mematikan dan mengeluarkan kartrij bateri mungkin menyebabkan kecederaan diri yang serius.

### Penyimpan sepana heksagon

Apabila tidak digunakan, simpan sepana heksagon seperti yang ditunjukkan dalam rajah itu agar tidak hilang.

► **Rajah36:** 1. Kunci allen

### Mengeluarkan dan memasang bilah gergaji

**⚠️AMARAN:** Sentiasa pastikan yang alat dimatikan dan kartrij bateri dikeluarkan sebelum menanggalkan dan memasang bilah gergaji bulat. Permulaan alat secara tidak sengaja boleh mengakibatkan kecederaan diri yang serius.

**⚠️AMARAN:** Gunakan hanya perengkuh Makita yang disediakan untuk mengeluarkan atau memasang bilah gergaji bulat. Kegagalan untuk menggunakan perengkuh boleh menyebabkan terlebih ketat atau pengetatan bolt soket heksagon yang tidak mencukupi dan menyebabkan kecederaan diri yang serius.

**⚠️AMARAN:** Jangan sesekali menggunakan atau menggantikan alat yang tidak dibekalkan dengan alat ini. Menggunakan alat tersebut boleh menyebabkan kecederaan ke atas diri dengan serius.

**⚠️AMARAN:** Selepas memasang bilah gergaji bulat, sentiasa pastikan ia dipasang dengan kukuh. Sambungan bilah gergaji bulat yang longgar boleh menyebabkan kecederaan diri yang serius.

### Mengeluarkan bilah

Untuk mengeluarkan bilah gergaji bulat, lakukan langkah-langkah berikut:

1. Kunci pembawa dalam kedudukan dinaikkan dengan menarik dan memutar pin penahan dalam kedudukan terkunci.

► **Rajah37:** 1. Pin penahan 2. Kedudukan tidak terkunci 3. Kedudukan terkunci

2. Gunakan kunci allen untuk melonggarkan bolt heksagon yang memegang penutup tengah. Kemudian, naikkan pengadang bilah dan penutup tengah.

► **Rajah38:** 1. Kunci allen 2. Bolt heksagon 3. Penutup tengah 4. Pengadang bilah

3. Tekan kunci aci untuk mengunci spindel dan gunakan kunci allen untuk melonggarkan bolt soket heksagon mengikut arah jam. Kemudian keluarkan bolt soket heksagon, bebibir luar dan bilah gergaji bulat.

► **Rajah39:** 1. Bolt soket heksagon (tangan kiri) 2. Bebibir luar 3. Kunci aci

4. Jika bebibir dalaman ditanggalkan, pasangkannya pada spindel dengan sisi tersorok menghadap bilah gergaji bulat. Jika bebibir dipasang dengan tidak betul, bebibir akan bergesel pada mesin.

► **Rajah40:** 1. Bolt soket heksagon (tangan kiri) 2. Bebibir luar 3. Bilah gergaji bulat 4. Gelang 5. Bebibir dalaman 6. Spindel 7. Sisi tersorok

### Memasang bilah

**⚠️AMARAN:** Sebelum melekapkan bilah kepada spindle, sentiasa pastikan gelang yang betul untuk lubang bilah arbor yang anda ingin gunakan dipasang antara bebibir dalaman dan luaran. Menggunakan gelang lubang arbor yang tidak betul boleh mengakibatkan pelekapan bilah yang tidak betul menyebabkan pergerakan bilah dan getaran yang teruk mengakibatkan kemungkinan hilang kawalan semasa operasi dan dalam kecederaan peribadi yang serius.

**⚠️PERHATIAN:** Pastikan anda memasang bilah gergaji bulat agar arah anak panah pada bilah sepadan dengan arah pada bekas bilah. Kegagalan berbuat demikian boleh menyebabkan kecederaan diri yang serius dan menyebabkan kerosakan ke atas alat dan/atau bahan kerja.

Untuk memasang bilah gergaji bulat, lakukan langkah-langkah berikut:

1. Lekapkan bilah gergaji bulat pada bebibir dalam dengan berhati-hati. Pastikan bahawa arah anak panah pada bilah gergaji bulat sepadan dengan arah anak panah pada bekas bilah.

► **Rajah41:** 1. Anak panah pada bekas bilah 2. Anak panah pada bilah gergaji bulat

2. Pasangkan bebibir luaran dan bolt soket heksagon dan kemudian gunakan kunci allen untuk mengetatkan bolt soket heksagon mengikut lawan arah jam semasa menekan kunci aci.

► **Rajah42:** 1. Bolt soket heksagon (tangan kiri) 2. Bebibir luar 3. Bilah gergaji bulat 4. Gelang 5. Bebibir dalaman 6. Spindel 7. Sisi tersorok

3. Kembalikan pengadang bilah dan penutup tengah ke kedudukan asalnya. Kemudian ketatkan bolt heksagon ikut arah jam dengan kemas untuk mengukuhkan penutup tengah.

4. Tarik dan putar pin penahan dalam kedudukan tidak terkunci untuk melepaskan pembawa daripada kedudukan yang dinaikkan. Turunkan pemegang dan pastikan pengadang bilah bergerak dengan betul.

**⚠️PERHATIAN:** Pastikan kunci aci melepaskan spindel sebelum membuat potongan.

## Menyambungkan pembersih hampagas

Apabila anda ingin melakukan operasi pemotongan yang bersih, sambungkan pembersih hampagas Makita ke muncung habuk (port habuk bahagian atas) menggunakan manset hadapan 24 (aksesori pilihan).

- **Rajah43:** 1. Manset hadapan 24 2. Hos 3. Pembersih hampagas

## Beg habuk

**PERHATIAN:** Apabila melakukan pemotongan, sentiasa sambungkan beg habuk atau sambungkan pembersih hampagas untuk mencegah bahaya berkaitan habuk.

Penggunaan beg habuk menjadikan operasi pemotongan bersih dan memudahkan pengumpulan habuk. Untuk menyambungkan beg habuk, tanggalkan hos pengestrakan habuk dari alat dan sambungkan beg habuk ke muncung habuk (port habuk atas).

- **Rajah44:** 1. Hos pengestrakan habuk 2. Beg habuk 3. Muncung habuk (port habuk atas)

Apabila beg habuk lebih kurang setengah penuh, keluarkan beg habuk daripada alat dan tarik kancingnya keluar. Kosongkan kandungan beg habuk, ketuk dengan ringan untuk mengeluarkan zarah yang melekat pada bahagian dalam yang mungkin menghalang pengumpulan selanjutnya.

- **Rajah45:** 1. Pengikat

## Mengukuhkan bahan kerja

**AMARAN:** Adalah sangat penting untuk sentiasa mengukuhkan bahan kerja dengan betul menggunakan jenis penahan ragum atau penahan acuan mahkota yang betul. Kegagalan berbuat demikian boleh menyebabkan kecederaan ke atas diri yang serius dan menyebabkan kerosakan ke atas alat dan/atau bahan kerja.

**AMARAN:** Apabila memotong bahan kerja yang lebih panjang daripada tapak sokongan gergaji miter, sokong keseluruhan panjang bahan melebihi tapak sokongan bagi memastikan tahap bahan. Sokongan bahan kerja yang betul membantu mengelakkan bilah terpelanting dan kebarangkalian tolak keluar yang boleh menyebabkan kecederaan diri yang serius. Jangan bergantung sepenuhnya kepada ragum menegak dan/atau ragum mendarat untuk mengukuhkan bahan kerja. Bahan nipis cenderung untuk melendut. Sokong bahan kerja pada panjang keseluruhannya untuk mengelakkan jepitan bilah dan kemungkinan TOLAK KELUAR.

- **Rajah46:** 1. Sokongan 2. Tapak putaran

## Pagar panduan

**AMARAN:** Sebelum mengendalikan alat, pastikan pagar atas dikukuhkan.

**AMARAN:** Sebelum pemotongan serong, pastikan tiada bahagian alat terutamanya bilah gergaji, menyentuh pagar atas dan bawah apabila merendahkan dan menaikkan pemegang sepenuhnya dalam sebarang kedudukan dan apabila memindahkan pembawa di sepanjang perjalanannya. Jika alat atau bilah tersentuh dengan pagar, ini boleh menyebabkan tolak keluar atau pergerakan bahan yang tidak dijangka dan kecederaan diri yang serius.

Gunakan pagar atas untuk menyokong bahan yang lebih tinggi daripada pagar rendah. Masukkan pagar atas ke dalam lubang pada pagar bawah dan ketatkan skru ke pagapit.

- **Rajah47:** 1. Pagar atas 2. Pagar bawah 3. Skru pengapit 4. Skru pelaras

**NOTIS:** Pagar bawah dikukuhkan pada tapak di dalam kilang. Jangan tanggalkan pagar bawah.

**NOTIS:** Jika pagar atas masih longgar selepas mengetatkan skru pengapit, putarkan skru pelaras untuk menutup jurang. Skru pelaras adalah disesuaikan oleh kilang. Anda tidak perlu menggunakannya kecuali perlu.

Apabila tidak menggunakan pagar atas, anda boleh menyimpannya ke dalam paip tapak sub. Gunakan klip pada pagar atas untuk memegangnya pada paip tapak sub.

- **Rajah48:** 1. Tapak sub 2. Pagar atas 3. Klip

## Ragum menegak

**AMARAN:** Bahan kerja mestilah dikukuhkan dengan kemas pada tapak putaran dan pagar panduan menggunakan ragum semasa semua operasi. Jika bahan kerja tidak dikukuhkan dengan betul pada pagar, bahan itu mungkin bergerak semasa operasi pemotongan yang menyebabkan kebarangkalian kerosakan kepada bilah gergaji, menyebabkan bahan tercampak dan hilang kawalan mengakibatkan kecederaan diri yang serius.

Ragum menegak boleh dipasang sama ada ke dalam sisi kiri atau kanan tapak dan tapak sub. Masukkan rod ragum ke dalam lubang dalam tapak atau tapak sub.

- **Rajah49:** 1. Ragum menegak 2. Lubang untuk ragum menegak 3. Tapak sub 4. Tapak

- **Rajah50:** 1. Lengan ragum 2. Rod ragum 3. Skru pengapit 4. Tombol ragum

Letakkan lengan ragum mengikut ketebalan dan bentuk bahan kerja dan kukuhkan lengan ragum dengan mengetatkan skru. Jika skru pengapit tersentuh pembawa, pasang ragum menegak ke tapak sub atau sisi bertentangan pada tapak. Pastikan tiada bahagian alat yang menyentuh ragum apabila menurunkan pemegang sepenuhnya. Jika beberapa bahagian menyentuh ragum, letakkan semula ragum.

Tekan bahan kerja rata dengan pagar panduan dan tapak putaran. Letakkan bahan kerja pada kedudukan pemotongan yang dikehendaki dan kukuhkan ia dengan mengetatkan tumbol ragum.

**NOTA:** Untuk menetapkan bahan kerja dengan cepat, memutar tumbol ragum ke lawan arah jam 90° membolehkan tumbol ragum digerakkan ke atas dan ke bawah. Untuk mengukuhkan bahan kerja selepas penetapan, putar tumbol ragum arah jam.

## Ragum mendatar

### Aksesori pilihan

**⚠️AMARAN:** Sentiasa putarkan nat ragum arah jam sehingga bahan kerja dikukuhkan dengan betul. Jika bahan kerja tidak dikukuhkan dengan betul, bahan mungkin bergerak semasa operasi pemotongan menyebabkan kebarangkalian kerosakan kepada bilah gergaji bulat, menyebabkan bahan tercampak dan hilang kawalan yang mengakibatkan kecederaan diri yang serius.

**⚠️AMARAN:** Semasa memotong bahan kerja nipis, seperti papan tapak, pada pagar, sentiasa gunakan ragum mendatar.

**⚠️PERHATIAN:** Semasa memotong bahan kerja dengan ketebalan 20 mm atau lebih nipis, pastikan anda menggunakan blok penjarak untuk mengukuhkan bahan kerja.

Ragum mendatar boleh dipasang sama ada di sisi kiri atau kanan tapak. Semasa melakukan potongan miter 22.5° atau lebih besar, pasang ragum mendatar di bahagian sisi yang bertentangan arah tapak putaran akan diputar.

► **Rajah51:** 1. Plat ragum 2. Nat ragum 3. Tumbol ragum

Dengan menterbalikkan nat ragum lawan arah jam, ragum dilepaskan dan bergerak ke dalam dan ke luar dengan pantas. Untuk memegang bahan kerja, tolak tumbol ragum ke hadapan sehingga plat ragum menyentuh bahan kerja dan kemudian terbalikkan nat ragum arah jam. Kemudian putar pemegang ragum untuk mengukuhkan bahan kerja.

**NOTA:** Lebar maksimum bahan kerja yang boleh dikukuhkan oleh ragum mendatar adalah 228 mm.

## Tapak sub

**⚠️AMARAN:** Sentiasa sokong bahan kerja yang panjang supaya rata dengan permukaan atas tapak putaran untuk potongan yang tepat dan untuk mengelakkan kehilangan kawalan berbahaya alat. Sokongan bahan kerja yang betul akan membantu mengelakkan bilah terpelanting dan kebarangkalian tolak keluar yang boleh menyebabkan kecederaan diri yang serius.

**⚠️AMARAN:** Sebelum operasi pemotongan, sentiasa pastikan sub-tapak dikukuhkan dengan skru.

Untuk memegang bahan kerja panjang secara mendatar, tapak sub disediakan di kedua-dua sisi alat. Longgarkan skru dan panjangkan tapak sub kepada panjang yang sesuai untuk memegang bahan kerja. Kemudian ketatkan skru.

► **Rajah52:** 1. Tapak sub 2. Skru

Apabila memotong, letakkan bahan kerja rata pada pagar panduan dan pagar sub pada tapak sub.

► **Rajah53:** 1. Pagar panduan 2. Pagar sub 3. Tapak sub

## OPERASI

Alat ini bertujuan untuk memotong produk kayu. Dengan bilah gergaji asli Makita yang sesuai, bahan berikut juga boleh digergajikan:

— Produk aluminium

Rujuk laman web kami atau hubungi peniaga Makita tempatan anda untuk bilah gergaji bulat yang betul untuk digunakan untuk bahan yang dipotong.

**⚠️AMARAN:** Pastikan bilah gergaji tidak menyentuh bahan kerja dan lain-lain sebelum suis dihidupkan. Menghidupkan alat dengan bilah bersentuhan bahan kerja boleh menyebabkan tolak keluar dan kecederaan diri yang serius.

**⚠️AMARAN:** Selepas operasi pemotongan, jangan naikan bilah gergaji sehingga bilah telah berhenti sepenuhnya. Menaikkan bilah luncuran boleh menyebabkan kecederaan ke atas diri yang serius dan merosakkan bahan kerja.

**⚠️AMARAN:** Jangan lakukan sebarang pelarasan seperti memutar genggam, tumbol dan tuil pada alat semasa bilah gergaji sedang berputar. Pelarasan semasa bilah sedang berputar boleh menyebabkan kecederaan diri yang serius.

**NOTIS:** Sebelum digunakan, pastikan anda membuka kunci pin penahan dan melepaskan pemegang dari kedudukan rendah.

**NOTIS:** Jangan gunakan tekanan berlebihan pada pemegang apabila memotong. Terlalu banyak daya boleh mengakibatkan lebih muatan motor dan/atau mengurangkan kecekapan pemotongan. Tekan pemegang ke bawah dengan daya yang sewajarnya yang diperlukan untuk pemotongan lancar dan tanpa mengurangkan kelajuan bilah.

**NOTIS:** Tekan pemegang dengan perlahan-lahan untuk melakukan pemotongan. Jika pemegang ditekan ke bawah dengan kuat atau jika daya sisi digunakan, bilah akan bergetar dan meninggalkan tanda (tanda gergaji) dalam bahan kerja dan ketepatan potongan akan terjejas.

**NOTIS:** Semasa potongan gelangsar, tolak pembawa ke pagar panduan perlahan-lahan tanpa henti. Jika pergerakan pembawa dihentikan semasa potongan, satu tanda akan ditinggalkan di dalam bahan kerja dan ketepatan potongan akan terjejas.

## Pemotongan tekanan

**AMARAN:** Sentiasa kunci pergerakan gelangsar pembawa semasa menjalankan pemotongan tekanan. Memotong tanpa mengunci boleh menyebabkan kemungkinan tolak keluar yang boleh menyebabkan kecederaan diri yang serius.

Bahan kerja yang tinggi sehingga 92 mm dan lebar 183 mm boleh dipotong dengan cara berikut.

► **Rajah54:** 1. Pin penahan

1. Tolak pembawa ke hadapan pagar panduan sehingga ia terhenti dan kuncikannya dengan pin penahan.
2. Kukuhkan bahan kerja dengan jenis ragum yang betul.
3. Hidupkan alat tanpa bilah gergaji bulat membuat sebarang sentuhan dan tunggu sehingga bilah gergaji bulat mencapai kelajuan penuh sebelum menurunkan.
4. Turunkan pemegang ke kedudukan yang sepenuhnya dengan perlahan-lahan untuk memotong bahan kerja.
5. Setelah pemotongan selesai, matikan alat dan **tunggu sehingga bilah gergaji bulat berhenti sepenuhnya** sebelum mengembalikan pemegang kepada kedudukan terangkat sepenuhnya.

## Pemotongan (tolak) gelangsar (memotong bahan kerja lebar)

**AMARAN:** Setiap kali melakukan potongan gelangsar, pertama, tarik pembawa sepenuhnya ke arah anda dan tekan pemegang ke kedudukan diturunkan sepenuhnya, kemudian tolak pembawa ke pagar panduan. Jangan sesekali memulakan potongan dengan pembawa tidak ditarik sepenuhnya ke arah anda. Jika anda menjalankan potongan gelangsar tanpa pembawa ditarik sepenuhnya ke arah anda, tolakan yang tidak dijangka boleh berlaku dan kecederaan diri yang serius boleh berlaku.

**AMARAN:** Jangan sesekali cuba melakukan pemotongan gelangsar dengan menarik pembawa ke arah anda. Menarik pembawa ke arah anda semasa memotong boleh menyebabkan tolak keluar yang tidak dijangka yang menyebabkan kemungkinan kecederaan diri yang serius.

**AMARAN:** Jangan sekali-kali melakukan potongan gelangsar dengan pemegang dikunci di kedudukan yang diturunkan.

► **Rajah55:** 1. Pin penahan

1. Buka pin penahan supaya pembawa boleh diluncurkan dengan bebas.
2. Kukuhkan bahan kerja dengan jenis ragum yang betul.
3. Tarik pembawa ke arah anda sepenuhnya.
4. Hidupkan alat tanpa bilah gergaji menyentuh mana-mana dan tunggu sehingga bilah gergaji mencapai kelajuan penuh.

5. Tekan pemegang ke bawah dan **tolak pembawa menghadap pagar panduan dan melalui bahan kerja**.

6. Setelah pemotongan selesai, matikan alat dan **tunggu sehingga bilah gergaji berhenti sepenuhnya** sebelum mengembalikan bilah kepada kedudukan terangkat sepenuhnya.

## Pemotongan miter

Rujuk kepada bahagian untuk melaraskan sudut miter.

## Potongan serong

**AMARAN:** Selepas menetapkan bilah untuk pemotongan serong, pastikan pembawa dan bilah gergaji boleh bergerak dengan bebas di sepanjang potongan yang diingini sebelum mengendalikannya. Gangguan kepada pembawa atau bilah semasa operasi pemotongan boleh menyebabkan tolak keluar dan kecederaan diri yang serius.

**AMARAN:** Semasa membuat pemotongan serong, jauhkan tangan daripada laluan bilah gergaji. Sudut bilah boleh mengelirukan operator kerana laluan bilah yang sebenar semasa memotong dan menyentuh bilah akan menyebabkan kecederaan diri yang serius.

**AMARAN:** Bilah gergaji tidak boleh dinaikkan sehingga ia terhenti sepenuhnya. Semasa pemotongan serong, bahan potongan mungkin terletak pada bilah gergaji. Jika bilah dinaikkan semasa ia berputar, bahan potongan mungkin ditolak oleh bilah menyebabkan bahan itu pecah yang boleh menyebabkan kecederaan diri yang serius.

**NOTIS:** Semasa menekan pemegang ke bawah, berikan tekanan selari dengan bilah. Jika paksaan dikenakan pada tapak putaran atau jika arah tekanan berubah semasa potongan, ketepatan potongan akan terjejas.

► **Rajah56**

1. Tanggalkan pagar atas di sebelah sisi yang anda akan jongketkan pembawa.
2. Buka pin penahan.
3. Laraskan sudut serong mengikut prosedur yang diterangkan dalam bahagian untuk pelarasan sudut serong. Kemudian ketatkan tombol.
4. Kukuhkan bahan kerja dengan ragum.
5. Tarik pembawa ke arah anda sepenuhnya.
6. Hidupkan alat tanpa bilah gergaji membuat sebarang sentuhan dan tunggu sehingga bilah mencapai kelajuan penuh.
7. Turunkan pemegang ke kedudukan sepenuhnya perlahan-lahan semasa menggunakan tekanan selari dengan bilah dan **tolak pembawa menghadap pagar panduan untuk memotong bahan kerja**.
8. Setelah pemotongan selesai, matikan alat dan **tunggu sehingga bilah berhenti sepenuhnya** sebelum mengembalikan bilah kepada kedudukan terangkat sepenuhnya.

## Pemotongan majmuk

Pemotongan majmuk ialah proses di mana sudut serong dibuat pada masa yang sama di mana sudut miter dipotong pada bahan kerja. Pemotongan majmuk boleh dilakukan pada sudut yang ditunjukkan dalam jadual.

Sudut miter	Sudut serong
0° Kiri dan Kanan - 45°	0° Kiri dan Kanan - 45°

Semasa melakukan pemotongan majmuk, rujuk kepada bahagian untuk pemotongan tekanan, pemotongan (tolak) lancar, pemotongan miter dan pemotongan serong.

## Papan tapak pemotongan

**⚠️ PERHATIAN:** Pastikan untuk menggunakan ragum mendatar (aksesori pilihan) apabila memotong papan tapak.

**⚠️ PERHATIAN:** Semasa memotong bahan kerja dengan ketebalan 20 mm atau lebih nipis, pastikan anda menggunakan blok penjarak untuk mengukuhkan bahan kerja.

Apabila memotong papan tapak dalam sudut miter 45°, lepaskan tuil penahan untuk mengelakkan bekas bilah daripada menyentuh papan tapak. Ini akan mengekalkan kelegaan antara papan tapak dan bekas bilah apabila pembawa ditolak ke hadapan sepenuhnya.

Rujuk kepada SPESIFIKASI untuk kapasiti pemotongan papan tapak.

► **Rajah57:** 1. Tuil penahan 2. Blok penjarak 3. Ragum mendatar

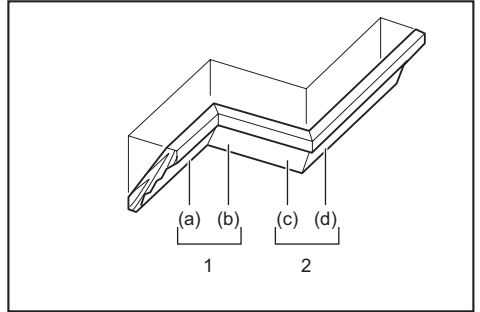
## Pemotongan acuan mahkota dan cekung

Acuan mahkota dan cekung boleh dipotong pada gergaji miter majmuk dengan acuan diletakkan rata pada tapak putaran.

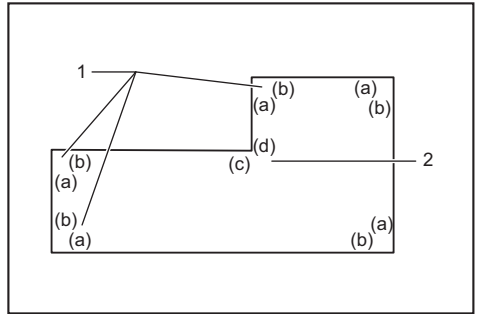
Terdapat dua jenis biasa acuan mahkota dan satu jenis acuan cekung; sudut dinding acuan mahkota 52/38°, sudut dinding acuan mahkota 45° dan sudut dinding acuan cekung 45°.

► **Rajah58:** 1. Acuan mahkota jenis 52/38° 2. Acuan mahkota jenis 45° 3. Acuan cekung jenis 45°

Terdapat acuan mahkota dan cekung yang dibuat agar sepadan dengan bucu "Dalam" 90° ((a) dan (b) dalam rajah) dan bucu "Luar" 90° ((c) dan (d) dalam rajah.)



1. Bucu dalam 2. Bucu luar



1. Bucu dalam 2. Bucu luar

## Pengukuran

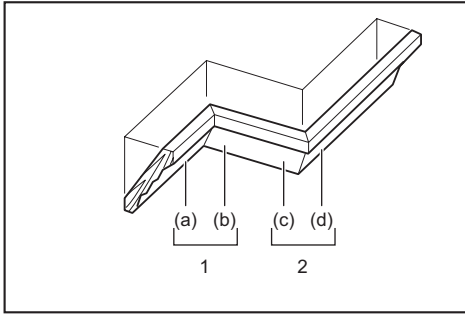
Ukur lebar dinding dan selaraskan lebar bahan kerja mengikut lebar dinding. Sentiasa pastikan lebar pinggir sentuhan dinding bahan kerja sama dengan panjang dinding.

► **Rajah59:** 1. Bahan kerja 2. Lebar dinding 3. Lebar bahan kerja 4. Pinggir sentuhan dinding

Sentiasa gunakan beberapa keping untuk ujian potongan untuk memeriksa sudut gergaji.

Apabila memotong acuan mahkota dan cangkuk, tetapkan sudut serong dan sudut miter seperti yang ditunjukkan dalam jadual (A) dan letakkan acuan pada permukaan atas tapak gergaji seperti yang ditunjukkan dalam jadual (B).

## Dalam kes potongan serong kiri



1. Bucu dalam 2. Bucu luar

Jadual (A)

-	Kedudukan acuan dalam rajah	Sudut serong		Sudut miter	
		Jenis 52/38°	Jenis 45°	Jenis 52/38°	Jenis 45°
Untuk bucu dalam	(a)	Kiri 33.9°	Kiri 30°	Kanan 31.6°	Kanan 35.3°
	(b)			Kiri 31.6°	Kiri 35.3°
Untuk bucu luar	(c)			Kanan 31.6°	Kanan 35.3°
	(d)			Kanan 31.6°	Kanan 35.3°

Jadual (B)

-	Kedudukan acuan dalam rajah	Pinggir acuan bertentangan pagar panduan	Kepingan siap
Untuk bucu dalam	(a)	Pinggir menyentuh siling bertentangan pagar panduan.	Kepingan siap akan berada di sebelah Kiri bilah.
	(b)	Pinggir menyentuh dinding harus bertentangan pagar panduan.	
Untuk bucu luar	(c)	Pinggir menyentuh siling bertentangan pagar panduan.	Kepingan siap akan berada di sebelah Kanan bilah.
	(d)	Pinggir menyentuh siling bertentangan pagar panduan.	

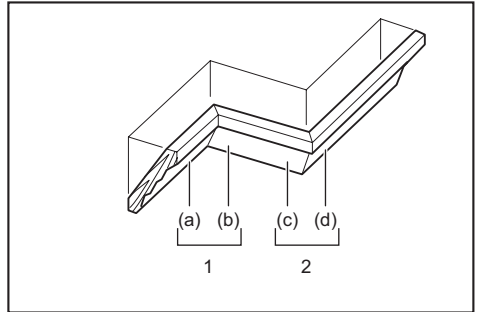
Contoh:

Dalam situasi potongan acuan mahkota jenis 52/38° untuk kedudukan (a) dalam rajah di atas:

- Sengetkan dan kukuhkan tetapan sudut serong ke 33.9° KIRI.
- Laraskan dan kukuhkan tetapan sudut serong ke 31.6° KANAN.
- Bentangkan acuan mahkota dengan permukaan belakang (tersembunyi) ke bawah pada tapak putaran dengan PINGGIR BERSENTUH SILING pada pagar panduan pada gergaji.

- Kepingan yang siap untuk digunakan akan sentiasa berada di sisi KIRI dari bilah selepas potongan telah dibuat.

## Dalam kes potongan serong kanan



1. Bucu dalam 2. Bucu luar

Jadual (A)

-	Kedudukan acuan dalam rajah	Sudut serong		Sudut miter	
		Jenis 52/38°	Jenis 45°	Jenis 52/38°	Jenis 45°
Untuk bucu dalam	(a)	Kanan 33.9°	Kanan 30°	Kanan 31.6°	Kanan 35.3°
	(b)			Kiri 31.6°	Kiri 35.3°
Untuk bucu luar	(c)			Kanan 31.6°	Kanan 35.3°
	(d)			Kanan 31.6°	Kanan 35.3°

Jadual (B)

-	Kedudukan acuan dalam rajah	Pinggir acuan bertentangan pagar panduan	Kepingan siap
Untuk bucu dalam	(a)	Pinggir menyentuh siling bertentangan pagar panduan.	Kepingan siap akan berada di sebelah Kanan bilah.
	(b)	Pinggir menyentuh dinding harus bertentangan pagar panduan.	
Untuk bucu luar	(c)	Pinggir menyentuh siling bertentangan pagar panduan.	Kepingan siap akan berada di sebelah Kiri bilah.
	(d)	Pinggir menyentuh dinding harus bertentangan pagar panduan.	

Contoh:

Dalam situasi potongan acuan mahkota jenis 52/38° untuk kedudukan (a) dalam rajah di atas:

- Sengetkan dan kukuhkan tetapan sudut serong ke 33.9° KANAN.
- Laraskan dan kukuhkan tetapan sudut serong ke 31.6° KANAN.

- Bentangkan acuan mahkota dengan permukaan belakang (tersembunyi) ke bawah pada tapak putaran dengan PINGGIR BERSENTUH DINDING pada pagar panduan pada gergaji.
- Kepingan yang siap untuk digunakan akan sentiasa berada di sisi KANAN dari bilah selepas potongan telah dibuat.

## Penahan acuan mahkota

### Aksesori pilihan

Penahan acuan mahkota memudahkan potongan acuan mahkota tanpa menjongketkan bilah gergaji. Pasangkannya pada tapak putar seperti ditunjukkan di dalam rajah.

#### Pada sudut miter 45° kanan

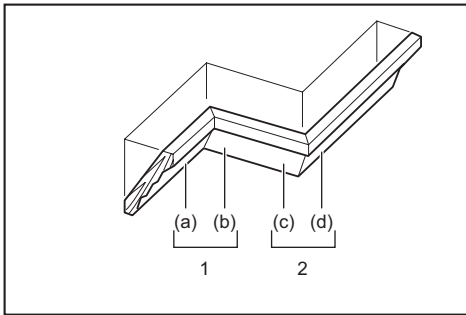
- **Rajah60:** 1. Penahan acuan mahkota L 2. Penahan acuan mahkota R 3. Tapak putaran 4. Pagar panduan

#### Pada sudut miter 45° kiri

- **Rajah61:** 1. Penahan acuan mahkota L 2. Penahan acuan mahkota R 3. Tapak putaran 4. Pagar panduan

Letakkan acuan mahkota dengan PINGGIR SENTUHAN DINDING menghadap pagar panduan dan PINGGIR SENTUHAN SILING menghadap penahan acuan mahkota seperti yang ditunjukkan dalam rajah. Laraskan penahan acuan mahkota mengikut saiz acuan mahkota. Ketatkan skru untuk mengukuhkan penahan acuan mahkota. Rujuk kepada jadual (C) untuk sudut miter.

- **Rajah62:** 1. Pagar panduan 2. Penahan acuan mahkota



1. Bucu dalam 2. Bucu luar

### Jadual (C)

-	Kedudukan acuan dalam rajah	Sudut miter	Kepingan siap
Untuk bucu dalam	(a)	Kanan 45°	Simpan sisi kanan bilah
	(b)	Kiri 45°	Simpan sisi kiri bilah
Untuk bucu luar	(c)	Kanan 45°	Simpan sisi kanan bilah
	(d)		Simpan sisi kiri bilah

## Memotong penyemperitan aluminium

- **Rajah63:** 1. Ragum 2. Blok penjarak 3. Pagar panduan 4. Penyemperitan aluminium 5. Blok penjarak

Apabila mengukuhkan penyemperitan aluminium, gunakan blok penjarak atau potongan sisa seperti ditunjukkan dalam rajah untuk mengelakkan perubahan bentuk aluminium. Gunakan pelincir pemotongan semasa memotong penyemperitan aluminium untuk mengelakkan pembentukan bahan aluminium pada bilah gergaji bulat.

### ⚠️AMARAN: Jangan sekali-kali cuba memotong penyemperitan aluminium tebal atau bulat.

Penyemperitan aluminium tebal atau bulat boleh menjadi sukar untuk dikukuhkan dan bahan kerja boleh menjadi longgar semasa operasi memotong yang boleh menyebabkan kehilangan kawalan dan kecederaan diri yang serius.

## Teknik kapasiti pemotongan lebar maksimum khas

Kapasiti pemotongan maksimum bagi lebar boleh dicapai dengan mengikut langkah di bawah: Untuk lebar pemotongan maksimum alat ini, rujuk kapasiti pemotongan bagi pemotongan khas dalam bahagian SPESIFIKASI.

1. Tetapkan alat pada sudut miter 0° atau 45° dan pastikan tapak putar dikunci. (Rujuk bahagian untuk pelarasan sudut miter.)
  2. Tanggalkan kedua-dua pagar atas kanan dan kiri sementara dan ketepikannya.
  3. Potong platform kepada dimensi yang ditunjukkan dalam rajah menggunakan bahan stok rata, 38 mm tebal, seperti kayu, papan lapis atau papan zarah.
- **Rajah64:** 1. Sudut miter 0°: Lebih daripada 450 mm  
2. Sudut miter 45°: Lebih daripada 325 mm 3. 38 mm 4. Lebih daripada 760 mm

⚠️**AMARAN:** Pastikan untuk menggunakan stok rata sebagai platform. Stok yang tidak rata mungkin bergerak semasa operasi pemotongan boleh menyebabkan tolak keluar dan kecederaan diri yang serius.

**NOTA:** Kapasiti pemotongan maksimum dalam tinggi akan dikurangkan dengan jumlah yang sama dengan platform.

4. Letakkan platform pada alat supaya ia dipanjangkan sama rata pada setiap sisi tapak alat. Kukuhkan platform pada alat menggunakan empat skru kayu 6 mm melalui empat lubang dalam pagar bawah.
- **Rajah65:** 1. Skru (dua setiap sisi) 2. Pagar bawah 3. Tapak 4. Platform



**AMARAN:** Pastikan platform diletakkan rata menghadap tapak alat dan kukuhkan ke pagar bawah menggunakan empat lubang skru yang dibekalkan. Kegagalan mengukuhkan platform dengan betul mungkin menyebabkan pergerakan dan kemungkinan tolak keluar menyebabkan kecederaan diri yang serius.

**AMARAN:** Pastikan alat dilekapkan dengan kukuh ke permukaan yang stabil dan rata. Kegagalan untuk melekap dan mengukuhkan alat dengan betul boleh menyebabkan alat menjadi tidak stabil mengakibatkan hilang kawalan dan/atau kegagalan alat yang menyebabkan kecederaan diri yang serius.

5. Pasang pagar atas pada alat.

**AMARAN:** Jangan gunakan alat tanpa memasang pagar atas. Pagar atas memberikan sokongan tepat yang diperlukan untuk memotong bahan kerja. Jika bahan kerja tidak disokong dengan betul, ia mungkin bergerak dan kemungkinan hilang kawalan, tolak keluar dan kecederaan diri yang serius.

6. Letakkan bahan kerja yang akan dipotong pada platform yang dikukuhkan pada alat.

7. Kukuhkan bahan kerja dengan kuat menghadap pagar atas dengan ragum sebelum memotong.

► **Rajah66:** 1. Pagar atas 2. Ragum menegak 3. Bahan kerja 4. Platform

8. Buat potongan melalui bahan kerja dengan perlahan berdasarkan kepada operasi yang diterangkan dalam bahagian untuk pemotongan lancar (tolak).

**AMARAN:** Pastikan bahan kerja dikukuhkan dengan ragum dan buat potongan dengan perlahan. Kegagalan untuk melakukannya mungkin menyebabkan bahan kerja bergerak mengakibatkan kemungkinan tolak keluar dan kecederaan diri yang serius.

**AMARAN:** Sila ambil perhatian bahawa platform mungkin menjadi lemah selepas beberapa potongan dilakukan pada pelbagai sudut miter. Jika platform menjadi lemah disebabkan oleh berbilang potongan alur gergaji tertinggal dalam bahan, platform hendaklah diganti. Jika platform yang lemah tidak diganti, ia mungkin menyebabkan bahan kerja bergerak semasa pemotongan mengakibatkan kemungkinan tolak keluar dan kecederaan diri yang serius.

## Pemotongan alur

**AMARAN:** Jangan cuba untuk melakukan jenis pemotongan ini menggunakan bilah lebar atau bilah dado. Mencuba membuat potongan melengkung dengan bilah lebar atau bilah dado boleh menyebabkan hasil potongan yang tidak dijangka dan tolak keluar boleh menyebabkan kecederaan diri yang serius.

**AMARAN:** Pastikan untuk mengembalikan lengan penahan ke kedudukan asal apabila melakukan selain potongan alur. Mencuba membuat potongan dengan lengan pin penahan dalam kedudukan yang tidak betul boleh menyebabkan hasil potongan yang tidak dijangka dan tolak keluar boleh menyebabkan kecederaan diri yang serius.

Untuk potongan jenis dado, lakukan seperti berikut:

1. Laraskan kedudukan had bawah bagi bilah gergaji bulat menggunakan skru pelaras dan lengan penahan untuk menghadkan kedalaman pemotongan bilah gergaji bulat. Rujuk pada bahagian untuk lengan penahan.

2. Selepas melaraskan kedudukan had bawah bilah gergaji bulat, potong alur selari melintang lebar bahan kerja menggunakan potongan gelangsar (tolak).

► **Rajah67:** 1. Potong alur dengan bilah

3. Kemudian keluarkan bahan kerja di antara alur dengan pahat.

## Kayu muka

**AMARAN:** Gunakan skru untuk memasang kayu muka ke pagar panduan. Skru hendaklah dipasang supaya kepala skru adalah di bawah permukaan hadapan kayu agar ianya tidak mengganggu peletakan bahan yang sedang dipotong. Salah jajaran bagi bahan yang sedang dipotong boleh menyebabkan pergerakan yang tidak dijangka semasa operasi pemotongan menyebabkan hilang kawalan dan kecederaan diri yang serius.

**PERHATIAN:** Gunakan kayu lurus ketebalan rata sebagai kayu muka.

**PERHATIAN:** Untuk memotong bahan kerja sepenuhnya dengan ketinggian 107 mm hingga 120 mm, permukaan kayu hendaklah digunakan pada pagar panduan. Permukaan kayu akan menjarakkan bahan kerja daripada pagar membolehkan bilah untuk melengkapkan pemotongan mendalam.

**NOTIS:** Apabila kayu muka dipasang, jangan putar tapak putaran dengan pemegang diturunkan. Bilah dan atau kayu muka akan rosak.

Penggunaan kayu muka untuk membantu mengukuhkan potongan bebas serpihan dalam bahan kerja. Pasangkan permukaan kayu menghadap pagar panduan menggunakan lubang dalam pagar panduan dan skru 6 mm.

Lihat rajah berkenaan dimensi kayu muka yang dicadangkan.

- **Rajah68:** 1. Lubang 2. Lebih daripada 15 mm  
3. Lebih daripada 270 mm 4. 90 mm  
5. 145 mm 6. 19 mm 7. 115 - 120 mm

**CONTOH** Apabila memotong bahan kerja setinggi 115 mm dan 120 mm, gunakan permukaan kayu dengan ketebalan berikut.

Sudut miter	Ketebalan permukaan kayu	
	115 mm	120 mm
0°	20 mm	38 mm
Kiri dan Kanan 45°	15 mm	25 mm
Kiri dan Kanan 60°	15 mm	25 mm

## Alat membawa

Sebelum membawa alat, pastikan anda menanggalkan kartrij bateri dan semua alat gergaji miter yang boleh digerakkan dikukuhkan. Sentiasa semak perkara berikut:

- Kartrij bateri ditanggalkan.
- Pembawa berada pada kedudukan sudut serong 0° dan dikukuhkan.
- Pembawa direndahkan dan dikunci.
- Pembawa digelangsarkan sepenuhnya ke pagar panduan dan dikunci.
- Tapak putaran berada pada kedudukan sudut miter betul sepenuhnya dan selamat.
- Tapak sub disimpan dan selamat.

Bawa alat dengan memegang kedua-dua sisi tapak alat.

- **Rajah69**

**⚠️AMARAN:** Pin penahan untuk penaikan pembawa adalah untuk tujuan membawa dan menyimpan sahaja dan bukan untuk mana-mana operasi pemotongan. Penggunaan pin penahan untuk operasi pemotongan boleh menyebabkan pergerakan yang tidak dijangka bagi bilah gergaji bulat yang menyebabkan tolak keluar dan kecederaan diri yang serius.

**⚠️PERHATIAN:** Sentiasa memastikan semua bahagian bergerak sebelum membawa alat itu. Jika bahagian alat bergerak atau gelangsar semasa dibawa, kehilangan kawalan atauimbangan boleh berlaku dan menyebabkan kecederaan diri.

**⚠️PERHATIAN:** Pastikan penaikan pembawa dikunci sepenuhnya di bahagian bawahnya dengan pin penahan. Jika pin penahan tidak dipasang dengan betul, pembawa mungkin terpelanting secara tiba-tiba dan boleh menyebabkan kecederaan diri.

# FUNGSI PENGAKTIFAN TANPA WAYAR

## Apa yang boleh anda lakukan dengan fungsi pengaktifan tanpa wayar

Fungsi pengaktifan tanpa wayar membolehkan operasi yang bersih dan selesa. Dengan menyambungkan pembersih hampagas yang disokong kepada alat ini, anda boleh menjalankan pembersih hampagas secara automatik bersama dengan operasi suis alat tersebut.

- **Rajah70**

Untuk menggunakan fungsi pengaktifan tanpa wayar, sediakan item berikut:

- Unit tanpa wayar (aksesori pilihan)
- Pembersih hampagas yang menyokong fungsi pengaktifan tanpa wayar

Gambaran keseluruhan tetapan fungsi pengaktifan tanpa wayar adalah seperti berikut. Merujuk kepada setiap bahagian untuk prosedur terperinci.

1. Memasang unit tanpa wayar
2. Pelarasan alat untuk pembersih hampagas
3. Memulakan fungsi pengaktifan tanpa wayar

## Memasang unit tanpa wayar

### Aksesori pilihan

**⚠️PERHATIAN:** Letakkan alat pada permukaan yang rata dan stabil apabila memasang unit tanpa wayar.

**NOTIS:** Bersihkan habuk dan kotoran pada alat sebelum memasang unit tanpa wayar. Habuk atau kotoran boleh menyebabkan kerosakan jika ia masuk ke dalam slot unit tanpa wayar.

**NOTIS:** Untuk mengelakkan kerosakan yang disebabkan oleh statik, sentuh bahan pelepas statik, seperti bahagian logam alat, sebelum mengambil unit tanpa wayar.

**NOTIS:** Apabila memasang unit tanpa wayar, pastikan unit tanpa wayar dimasukkan ke dalam arah yang betul dan penutup ditutup sepenuhnya.

1. Buka penutup pada alat seperti ditunjukkan dalam gambar.

- **Rajah71:** 1. Penutup

2. Masukkan unit tanpa wayar ke slot dan tutup penutup.

Apabila memasukkan unit tanpa wayar, selaraskan unjuran dengan bahagian tersebunyi pada slot.

- **Rajah72:** 1. Unit tanpa wayar 2. Unjuran 3. Penutup 4. Bahagian berlekuk

Apabila mengeluarkan unit tanpa wayar, buka penutup perlahan-lahan. Cangkuk pada bahagian belakang penutup akan mengangkat unit tanpa wayar semasa anda menarik penutup.

- **Rajah73:** 1. Unit tanpa wayar 2. Cangkuk  
3. Penutup

Selepas mengeluarkan unit tanpa wayar, simpannya dalam kes yang dibekalkan atau bekas bebas daripada statik.

**NOTIS:** Sentiasa gunakan cangkuk di bahagian belakang tudung apabila mengeluarkan unit tanpa wayar. Jika cangkuk tidak menangkap unit tanpa wayar, tutup penutup sepenuhnya dan buka dengan perlahan sekali lagi.

## Pelarasan alat untuk pembersih hampagas

**NOTA:** Pembersih hampagas Makita yang menyokong fungsi pengaktifan tanpa wayar diperlukan untuk pelarasan alat.

**NOTA:** Selesai memasang unit tanpa wayar kepada alat sebelum memulakan pelarasan alat.

**NOTA:** Elakkan memutar suis berikut semasa pendaftaran alat:

- Pemicu suis pada alat
- Suis vakum pada alat
- Suis kuasa pada pembersih hampagas

**NOTA:** Merujuk kepada manual arahan pembersih hampagas juga.

Jika anda ingin mengaktifkan pembersih hampagas bersama-sama dengan operasi suis alat, selesaikan pelarasan alat terlebih dahulu.

1. Pasang bateri kepada pembersih hampagas dan alat itu.
  2. Tetapkan suis tunggu sedia pada pembersih hampagas kepada "AUTO".
- **Rajah74:** 1. Suis tunggu sedia

3. Tekan butang pengaktifan tanpa wayar pada pembersih hampagas selama 3 saat sehingga lampu pengaktifan tanpa wayar berkelip hijau. Kemudian tekan butang pengaktifan tanpa wayar pada alat dengan cara yang sama.

- **Rajah75:** 1. Butang pengaktifan tanpa wayar  
2. Lampu pengaktifan tanpa wayar

Jika pembersih hampagas dan alat itu terhubung dengan jayanya, lampu pengaktifan wayarles akan menyala hijau selama 2 saat dan mula berkedip biru.

**NOTA:** Lampu pengaktifan tanpa wayar selesai berkelip dalam warna hijau selepas 20 saat berlalu. Tekan butang pengaktifan tanpa wayar pada alat semasa lampu pengaktifan tanpa wayar pada pembersih berkelip. Jika lampu pengaktifan tanpa wayar tidak berkelip hijau, tolak butang pengaktifan tanpa wayar sekejap dan tahannya lagi.

**NOTA:** Apabila melakukan dua atau lebih alat pelarasan untuk satu pembersih hampagas, selesaikan pelarasan alat satu demi satu.

## Memulakan fungsi pengaktifan tanpa wayar

**NOTA:** Selesaikan pelarasan alat untuk pembersih hampagas sebelum pengaktifan tanpa wayar.

**NOTA:** Merujuk kepada manual arahan pembersih hampagas juga.

Selepas pelarasan alat kepada pembersih hampagas, pembersih hampagas akan berjalan secara automatik bersama dengan operasi suis alat tersebut. Tarik pemicu suis pada alat untuk menghidupkan pembersih hampagas semasa operasi. Pembersih hampagas juga mula berfungsi dengan menekan butang vakum pada alat di luar operasi pemotongan.

- **Rajah76**

1. Pasang unit tanpa wayar kepada alat tersebut.
2. Sambungkan hos pembersih hampagas dengan alat ini.

- **Rajah77**

3. Tetapkan suis tunggu sedia pada pembersih hampagas kepada "AUTO".

- **Rajah78:** 1. Suis tunggu sedia

4. Tolak butang pengaktifan tanpa wayar pada alat sekejap. Lampu pengaktifan tanpa wayar akan berkelip warna biru.

- **Rajah79:** 1. Butang pengaktifan tanpa wayar  
2. Lampu pengaktifan tanpa wayar

5. Tarik alat pemicu suis. Periksa sama ada pembersih hampagas berjalan semasa pemicu suis sedang ditarik.

6. Tekan butang vakum untuk menghidupkan pembersih hampagas. Periksa sama ada lampu pengaktifan tanpa wayar menyala biru dan pembersih hampagas terus berjalan sehingga anda menekan butang semula.

7. Untuk menghentikan operasi vakum, sama ada lepaskan pemicu suis atau tekan butang vakum sekali lagi. Pembersih hampagas berhenti berjalan beberapa saat selepas operasi suis, kemudian lampu menjadi berkelip biru.

**NOTA:** Status suis (menghidupkan/mematkan pembersih) boleh diperoleh dalam lampu pengaktifan tanpa wayar. Untuk butiran, rujuk bahagian untuk penerangan status lampu pengaktifan tanpa wayar.

8. Untuk menghentikan pengaktifan tanpa wayar pembersih hampagas, tolak butang pengaktifan tanpa wayar pada alat.

**NOTA:** Lampu pengaktifan tanpa wayar pada alat akan berhenti berkelip warna biru apabila tiada operasi selama 2 jam. Dalam kes ini, tetapkan suis tunggu sedia pada pembersih hampagas kepada "AUTO" dan tolak butang pengaktifan tanpa wayar pada alat itu lagi.

**NOTA:** Pembersih hampagas mula/berhenti dengan lambat. Terdapat jarak masa apabila pembersih hampagas mengesan operasi suis alat.

**NOTA:** Jarak penghantaran unit tanpa wayar mungkin berbeza-beza bergantung kepada lokasi dan keadaan sekitarnya.

**NOTA:** Apabila dua atau lebih alat dilaraskan kepada satu pembersih hampagas, pembersih hampagas akan mula berjalan walaupun jika anda tidak menarik pemacu suis atau menghidupkan butang vakum kerana pengguna lain menggunakan fungsi pengaktifan tanpa wayar.

## Keterangan status lampu pengaktifan tanpa wayar

### ► Rajah80: 1. Lampu pengaktifan tanpa wayar

Lampu pengaktifan tanpa wayar menunjukkan status fungsi pengaktifan tanpa wayar. Merujuk kepada jadual di bawah untuk maksud status lampu.

Status	Lampu pengaktifan tanpa wayar			Tempoh	Keterangan
	Warna	<input type="checkbox"/> Hidup	<input checked="" type="checkbox"/> Berkelip		
Tunggu sedia	Biru	<input checked="" type="checkbox"/>		2 jam	Pengaktifan tanpa wayar pembersih hampagas tersedia. Lampu akan dimatikan secara automatik apabila tiada operasi dilakukan selama 2 jam.
		<input type="checkbox"/>		Apabila alat sedang berjalan.	Pengaktifan tanpa wayar pembersih hampagas tersedia dan alat sedang berjalan.
Pelarasan alat	Hijau	<input checked="" type="checkbox"/>		20 saat	Sedia untuk pelarasan alat. Menunggu pelarasan oleh pembersih hampagas.
		<input type="checkbox"/>		2 saat	Pelarasan alat telah selesai. Lampu pengaktifan tanpa wayar akan mula berkelip warna biru.
Membatalkan pelarasan alat	Merah	<input checked="" type="checkbox"/>		20 saat	Sedia untuk pembatalan pelarasan alat. Menunggu pembatalan oleh pembersih hampagas.
		<input type="checkbox"/>		2 saat	Pembatalan pelarasan alat telah selesai. Lampu pengaktifan tanpa wayar akan mula berkelip warna biru.
Lain-lain	Merah	<input type="checkbox"/>		3 saat	Kuasa dibekalkan kepada unit tanpa wayar dan fungsi pengaktifan tanpa wayar dimulakan.
	Mati	-		-	Pengaktifan tanpa wayar pembersih hampagas dihentikan.

## Pembatalan pelarasan alat untuk pembersih hampagas

Lakukan prosedur berikut apabila membatalkan pelarasan alat untuk pembersih vakum.

1. Pasang bateri kepada pembersih hampagas dan alat itu.
2. Tetapkan suis tunggu sedia pada pembersih hampagas kepada "AUTO".

### ► Rajah81: 1. Suis tunggu sedia

3. Tekan butang pengaktifan tanpa wayar pada pembersih hampagas selama 6 saat. Lampu pengaktifan tanpa wayar berkedip hijau dan kemudian menjadi merah. Selepas itu, tekan butang pengaktifan tanpa wayar pada alat dengan cara yang sama.

### ► Rajah82: 1. Butang pengaktifan tanpa wayar 2. Lampu pengaktifan tanpa wayar

Jika pembatalan dilakukan dengan jayanya, lampu pengaktifan tanpa wayar akan menyala merah selama 2 saat dan mula berkelip biru.

**NOTA:** Lampu pengaktifan tanpa wayar selesai berkelip dalam warna merah selepas 20 saat berlalu. Tekan butang pengaktifan tanpa wayar pada alat semasa lampu pengaktifan tanpa wayar pada pembersih berkelip. Jika lampu pengaktifan tanpa wayar tidak berkelip merah, tolak butang pengaktifan tanpa wayar sekejap dan tahan lagi.

## Penyelesaian masalah untuk fungsi pengaktifan tanpa wayar

Sebelum meminta pembaikan, jalankan pemeriksaan sendiri terlebih dahulu. Jika anda mendapati masalah tidak diterangkan dalam manual, jangan cuba untuk menanggalkan alat. Sebaliknya, tanya Pusat Servis Sah Makita, sentiasa gunakan alat ganti Makita untuk pembaikan.

Keadaan keabnormalan	Sebab yang mungkin (pincang tugas)	Remedi
Lampu pengaktifan tanpa wayar tidak menyala/berkelip.	Unit tanpa wayar tidak dipasang ke dalam alat. Unit tanpa wayar dipasang tidak betul ke dalam alat tersebut.	Memasang unit tanpa wayar dengan betul.
	Terminal unit tanpa wayar dan/atau slot adalah kotor.	Bersihkan habuk dan kotoran dengan lembut pada terminal unit tanpa wayar dan bersihkan slot.
	Butang pengaktifan tanpa wayar pada alat tidak ditolak.	Tolak butang pengaktifan tanpa wayar pada alat sekejap.
	Suis pada pembersih hampagas tidak ditetapkan kepada "AUTO".	Tetapkan suis tunggu sedia pada pembersih hampagas kepada "AUTO".
	Tiada bekalan kuasa	Berikan kuasa kepada alat dan pembersih hampagas.
Tidak dapat menyelesaikan pelarasan alat/pembatalan pelarasan alat dengan berjaya.	Unit tanpa wayar tidak dipasang ke dalam alat. Unit tanpa wayar dipasang tidak betul ke dalam alat tersebut.	Memasang unit tanpa wayar dengan betul.
	Terminal unit tanpa wayar dan/atau slot adalah kotor.	Bersihkan habuk dan kotoran dengan lembut pada terminal unit tanpa wayar dan bersihkan slot.
	Suis pada pembersih hampagas tidak ditetapkan kepada "AUTO".	Tetapkan suis tunggu sedia pada pembersih hampagas kepada "AUTO".
	Tiada bekalan kuasa	Berikan kuasa kepada alat dan pembersih hampagas.
	Operasi yang tidak betul	Tekan butang pengaktifan tanpa wayar sekejap dan lakukan prosedur pelarasan/pembatalan alat sekali lagi.
	Alat dan pembersih hampagas jauh dari satu sama lain (daripada jarak penghantaran).	Dapatkan alat dan pembersih hampagas rapat antara satu sama lain. Jarak penghantaran maksimum adalah kira-kira 10 m bagaimanapun mungkin berbeza-beza mengikut keadaan.
	Sebelum menamatkan pendaftaran/ pembatalan alat; - pemicu suis pada alat ditarik atau; - butang pemvakuman pada alat dihidupkan atau; - butang kuasa pada pembersih hampagas dihidupkan.	Tekan butang pengaktifan tanpa wayar sekejap dan lakukan prosedur pelarasan/pembatalan alat sekali lagi.
	Prosedur pelarasan alat untuk alat atau pembersih hampagas belum selesai.	Lakukan prosedur pendaftaran alat untuk kedua-dua alat dan pembersih hampagas pada masa yang sama.
	Gangguan radio oleh peralatan lain yang menghasilkan gelombang radio intensiti tinggi.	Pastikan alat dan pembersih hampagas jauh dari peralatan seperti peranti Wi-Fi dan ketuhar gelombang mikro.

Keadaan keabnormalan	Sebab yang mungkin (pincang tugas)	Remedi
Pembersih hampagas tidak berjalan bersama dengan operasi suis alat itu.	Unit tanpa wayar tidak dipasang ke dalam alat. Unit tanpa wayar dipasang tidak betul ke dalam alat tersebut.	Memasang unit tanpa wayar dengan betul.
	Terminal unit tanpa wayar dan/atau slot adalah kotor.	Bersihkan habuk dan kotoran dengan lembut pada terminal unit tanpa wayar dan bersihkan slot.
	Butang pengaktifan tanpa wayar pada alat tidak ditolak.	Tekan butang pengaktifan tanpa wayar sekejap dan pastikan lampu pengaktifan tanpa wayar berkelip biru.
	Suis pada pembersih hampagas tidak ditetapkan kepada "AUTO".	Tetapkan suis tunggu sedia pada pembersih hampagas kepada "AUTO".
	Lebih daripada 10 alat telah dilaraskan kepada pembersih vakum.	Lakukan pelarasan alat lagi. Jika lebih daripada 10 alat yang dilaraskan kepada pembersih hampagas, alat yang dilaraskan paling awal akan dibatalkan secara automatik.
	Pembersih hampagas gagal untuk mendaftarkan alat dengan berjaya.	Memperbaharui pendaftaran alat.
	Pembersih hampagas memadam semua pelarasan alat.	Lakukan pelarasan alat lagi.
	Tiada bekalan kuasa	Berikan kuasa kepada alat dan pembersih hampagas.
	Alat dan pembersih hampagas jauh dari satu sama lain (daripada jarak penghantaran).	Dapatkan alat dan pembersih hampagas lebih dekat antara satu sama lain. Jarak penghantaran maksimum adalah kira-kira 10 m bagaimanapun mungkin berbeza-beza mengikut keadaan.
	Gangguan radio oleh peralatan lain yang menghasilkan gelombang radio intensiti tinggi.	Pastikan alat dan pembersih hampagas jauh dari peralatan seperti peranti Wi-Fi dan ketuher gelombang mikro.
Pembersih hampagas berjalan semasa tiada suis untuk alat yang sedang operasi.	Pengguna lain menggunakan pengaktifan tanpa wayar pembersih hampagas dengan alat mereka.	Matikan butang pengaktifan tanpa wayar pada alat lain atau batalkan pelarasan alat lain.

## PENYELENGGARAAN

**⚠️ AMARAN:** Sentiasa pastikan alat dimatikan dan kartij bateri dikeluarkan sebelum cuba menjalankan pemeriksaan atau penyelenggaraan. Kegagalan menanggalkan kartij bateri dan mematikan alat boleh menyebabkan permulaan alat yang tidak disengajakan yang boleh menyebabkan kecederaan diri yang serius.

**⚠️ AMARAN:** Sentiasa pastikan bilah gergaji bulat tajam dan bersih untuk mendapatkan prestasi yang terbaik dan paling selamat. Mencuba memotong dengan bilah yang tumpul dan/ atau kotor boleh menyebabkan tolak keluar dan kecederaan diri yang serius.

**⚠️ PERHATIAN:** Sentiasa pastikan pengadang bilah ditutup dalam kedudukan asal sebelum cuba melakukan pemeriksaan atau penyelenggaraan. Jangan sekali-kali mengipit atau mengikat pengadang bilah pada kedudukan terbuka semasa operasi pembersihan. Bilah yang terdedah mungkin mengakibatkan kecederaan diri yang serius.

**NOTIS:** Jangan gunakan petrol, benzin, pencair, alkohol atau bahan yang serupa. Ia boleh menyebabkan perubahan warna, bentuk atau keretakan.

Untuk mengekalkan KESELAMATAN dan KEBOLEHPERCAYAAN produk, pembaikan, apa-apa penyelenggaraan atau penyesuaian lain perlu dilakukan oleh Kilang atau Pusat Servis Makita yang Diiktiraf, sentiasa gunakan alat ganti Makita.

## Melaraskan sudut pemotongan

Alat ini diselaraskan dengan teliti dan diajarkan di kilang, tetapi pengendalian kasar mungkin menjejaskan penajajaran. Jika alat anda tidak diajarkan dengan betul, lakukan yang berikut:

### Sudut miter

Turunkan pemegang sepenuhnya dan kuncinya di kedudukan yang diturunkan dengan pin penahan. Tolak pembawa menghadap pagar panduan.

Putarkan genggam lawan arah jam dan sediakan tapak putar untuk fungsi hentian positif menggunakan tuil kunci.

Kemudian longgarkan skru yang mengukuhkan penunjuk dan skala sudut miter.

- **Rajah83:** 1. Genggam 2. Tuil kunci 3. Skru pada penunjuk 4. Skru pada skala sudut miter 5. Skala sudut miter

Tetapkan tapak putaran kepada kedudukan 0° menggunakan fungsi henti positif. Samakan tepi bilah gergaji bulat dengan muka pagar panduan menggunakan peraturan segi tiga atau sesiku L. Semasa memastikan kekangan, ketatkan skru pada skala sudut miter. Selepas itu, jajarkan penunjuk (kedua-dua kanan dan kiri) dengan kedudukan 0° dalam sudut skala miter dan kemudian ketatkan skru pada penunjuk.

► **Rajah84:** 1. Peraturan segi tiga 2. Penunjuk

## Sudut serong

### Sudut serong 0°

Tolak pembawa menghadap pagar panduan dan kunci gerakan gelangsar dengan pin penahan. Turunkan pemegang sepenuhnya dan kuncikannya di kedudukan yang diturunkan dengan pin penahan. Putar tombol lawan arah jam dan kemudian putar bolt pelaras 0° melalui dua atau tiga revolusi lawan arah jam untuk menjongketkan bilah gergaji bulat ke kanan.

► **Rajah85:** 1. Tombol 2. 0° Bolt pelaras 3. Skru pada penunjuk

Samakan tepi bilah gergaji bulat dengan permukaan atas tapak putaran menggunakan peraturan segi tiga, sesiku L, dll. dengan memutar bolt pelaras 0° mengikut arah jam. Kemudian ketatkan tombol untuk mengukuhkan sudut 0° yang telah anda tetapkan.

► **Rajah86:** 1. Peraturan segi tiga 2. Bilah gergaji 3. Permukaan atas tapak putaran

Periksa sisi bilah gergaji bulat sama dengan permukaan tapak putaran sekali lagi. Longgarkan skru pada penunjuk. Jajarkan penunjuk dengan kedudukan 0° dalam sudut skala serong dan kemudian ketatkan skru.

### Sudut serong 45°

**NOTIS:** Sebelum melaraskan sudut serong 45°, selesaikan pelarasan sudut serong 0°.

Longgarkan tombol dan jongketkan pembawa sepenuhnya ke sisi yang anda mahu periksa. Periksa sama ada penunjuk menunjukkan kedudukan 45° dalam skala sudut serong.

► **Rajah87:** 1. Tombol

Jika penunjuk tidak menunjukkan kedudukan 45°, jajarkannya ke kedudukan 45° dengan memutar bolt pelaras dalam skala sudut serong pada sisi tapak bertentangan.

► **Rajah88:** 1. Bolt pelaras 45° kiri 2. Bolt pelaras 45° kanan

## Melaras pagar sub

Laraskan pagar sub pada tapak sub jika ianya tidak dijajarkan dengan pagar panduan.

1. Longgarkan bolt yang mengukuhkan pagar sub menggunakan kunci allen.
  2. Letakkan bar tegar lurus seperti ahli keluli persegi rata menghadap pagar panduan.
  3. Semasa bar rata menghadap pagar panduan, letakkan pagar sub supaya muka pagar sub menjadi rata menghadap bar. Selepas itu, ketatkan bolt.
- **Rajah89:** 1. Bolt 2. Pagar sub 3. Pagar panduan 4. Bar tegar

## Membersihkan kanta lampu

**PERHATIAN:** Sentiasa tanggalkan bilah gergaji bulat sebelum membersihkan kanta lampu.

**NOTIS:** Jangan keluarkan skru yang mengukuhkan kanta. Jika kanta tidak keluar, longgarkan lagi skru.

**NOTIS:** Gunakan kain kering untuk mengelap kotoran daripada lensa lampu. Berhati-hati agar tidak mencalarakan kanta lampu, atau ia mungkin mengurangkan pencahayaan.

**NOTIS:** Jangan gunakan pelerut atau mana-mana pembersih berasaskan petroleum pada kanta.

Lampu LED menjadi sukar dilihat kerana kanta lampu menjadi kotor. Bersihkan kanta pada selang yang biasa. Keluarkan kartrij bateri. Longgarkan skru dan tarik keluar kanta. Bersihkan kanta dengan lembut menggunakan kain lembut yang lempap.

► **Rajah90:** 1. Skru 2. Kanta

## Selepas menggunakan

Selepas digunakan, lap serpihan dan habuk yang melekat pada alat dengan kain atau sejenisnya. Pastikan pengadang bilah bersih mengikut bahagian yang diterangkan sebelum ini bertajuk "Pengawal bilah". Lincirkan bahagian geser dengan minyak mesin untuk mencegah karat.



## AKSESORI PILIHAN

**⚠️ AMARAN:** Aksesori atau alat tambahan Makita ini adalah disyorkan untuk digunakan dengan alat Makita anda yang dinyatakan dalam manual ini. Penggunaan mana-mana aksesori atau alat tambahan lain boleh mengakibatkan kecederaan diri yang serius.

**⚠️ AMARAN:** Hanya gunakan aksesori atau alat tambahan Makita untuk tujuan yang dinyatakannya. Penyalahgunaan aksesori atau alat tambahan lain boleh mengakibatkan kecederaan diri yang serius.

Jika anda memerlukan sebarang bantuan untuk maklumat lebih lanjut mengenai aksesori ini, tanya Pusat Perkhidmatan Makita tempatan anda.

- Bilah gergaji berhujung karbida
- Ragum menegak
- Ragum mendatar
- Set penahan acuan mahkota
- Beg habuk
- Peraturan segi tiga
- Kunci allen
- Unit tanpa wayar
- Set berdiri
- Bateri dan pengecas asli Makita

**NOTA:** Beberapa item dalam senarai mungkin disertakan dalam pakej alat sebagai aksesori standard. Item mungkin berbeza mengikut negara.

# THÔNG SỐ KỸ THUẬT

<b>Kiểu máy:</b>		<b>LS003G</b>
Đường kính lưỡi cưa	Các quốc gia Châu Âu	305 mm
	Các quốc gia khác ngoài Châu Âu	305 mm
Đường kính lỗ	Các quốc gia Châu Âu	30 mm
	Các quốc gia khác ngoài Châu Âu	30 mm hoặc 25,4 mm (tùy thuộc vào quốc gia)
Độ dày rãnh của tối đa của lưỡi cưa		3,2 mm
Góc vát chéo tối đa		Phải 60°, Trái 60°
Góc xiên tối đa		Phải 48°, Trái 48°
Tốc độ không tải (RPM)		3.600 min <sup>-1</sup>
Kích thước (D x R x C)		898 mm x 690 mm x 725 mm
Điện áp định mức		D.C. 36 V - tối đa 40 V
Khối lượng tịnh		30,5 - 31,1 kg

## Khả năng cắt tối đa (C x R)

Góc vát			Góc xiên		
			45° (trái)	0°	45° (phải)
0°	-	-	61 mm x 382 mm 71 mm x 363 mm	92 mm x 382 mm 107 mm x 363 mm	44 mm x 382 mm 54 mm x 363 mm
	Độ dày của lớp ốp gỗ trên thanh dẫn dành cho chiều cao được tăng của nhát cắt	20 mm	78 mm x 325 mm	115 mm x 325 mm	61 mm x 325 mm
		38 mm	80 mm x 292 mm	120 mm x 292 mm	-
45° (phải và trái)	-	-	61 mm x 268 mm 71 mm x 255 mm	92 mm x 268 mm 107 mm x 255 mm	44 mm x 268 mm 54 mm x 255 mm
	Độ dày của lớp ốp gỗ trên thanh dẫn dành cho chiều cao được tăng của nhát cắt	15 mm	-	115 mm x 227 mm	-
		25 mm	-	120 mm x 212 mm	-
60° (phải và trái)	-	-	-	92 mm x 185 mm 107 mm x 178 mm	-
	Độ dày của lớp ốp gỗ trên thanh dẫn dành cho chiều cao được tăng của nhát cắt	15 mm	-	115 mm x 155 mm	-
		25 mm	-	120 mm x 140 mm	-

## Khả năng cắt cho các kiểu cắt đặc biệt

Kiểu cắt	Khả năng cắt
Đường gờ bao quanh loại 45° (sử dụng thanh chặn đường gờ bao quanh)	203 mm
Tấm đế (sử dụng bàn kẹp ngang)	171 mm

- Do chương trình nghiên cứu và phát triển liên tục của chúng tôi nên các thông số kỹ thuật trong đây có thể thay đổi mà không cần thông báo trước.
- Các thông số kỹ thuật có thể thay đổi tùy theo từng quốc gia.
- Khối lượng có thể khác nhau tùy thuộc vào (các) phụ kiện, bao gồm cả hộp pin. Tổ hợp nhẹ nhất và nặng nhất, theo Quy trình EPTA 01/2014, được trình bày trong bảng.

## Hộp pin và sạc pin có thể áp dụng

Hộp pin	BL4020 / BL4025 / BL4040* / BL4050F* * : Pin được khuyến dùng
Bộ sạc	DC40RA / DC40RB / DC40RC

- Một số hộp pin và sạc pin được nêu trong danh sách ở trên có thể không khả dụng tùy thuộc vào khu vực cư trú của bạn.

**⚠ CẢNH BÁO:** Chỉ sử dụng hộp pin và sạc pin được nêu trong danh sách ở trên. Việc sử dụng bất cứ hộp pin và sạc pin nào khác có thể gây ra thương tích và/hoặc hỏa hoạn.

### Ký hiệu

Phần dưới đây cho biết các ký hiệu có thể được dùng cho thiết bị. Đảm bảo rằng bạn hiểu rõ ý nghĩa của các ký hiệu này trước khi sử dụng.



Đọc tài liệu hướng dẫn.



Mang kính an toàn.



Để tránh thương tích do các mảnh vụn bay, sau khi cắt, ấn giữ đầu cửa xuống cho đến khi lưỡi cưa đi đến điểm dừng cuối cùng.



Khi thực hiện cắt xiên góc, đầu tiên phải xoay núm ngược chiều kim đồng hồ rồi mới nghiêng bàn trượt. Sau đó, xoay núm theo chiều kim đồng hồ để siết chặt lại.



Khi thực hiện cắt trượt, trước tiên kéo hoàn toàn bàn trượt và ấn tay cầm xuống, rồi đẩy bàn trượt về phía tám chắn dẫn hướng.



Nhấn giữ nút nhả khi nghiêng bàn trượt sang phải.



Gài cần chặn khi cắt bàn để ở góc vát 45°.



Không được đặt bàn tay hoặc ngón tay gần các lưỡi cưa.



Không nhìn thẳng vào đèn đang hoạt động.



A: Đường kính lưỡi cưa  
B: Đường kính lỗ



Không lắp bàn kẹp ngang theo cùng một hướng với cắt vát góc. (Biểu tượng này được áp dụng trên bàn kẹp ngang)



Ni-MH  
Li-ion

Chỉ dành cho các quốc gia EU

Do có các thành phần nguy hiểm bên trong thiết bị điện và điện tử, ắc quy và pin thải bỏ nên có thể có tác động không tốt đến môi trường và sức khỏe con người.

Không vứt bỏ các thiết bị điện và điện tử hoặc pin với rác thải sinh hoạt!

Theo Chỉ thị của Châu Âu về thiết bị điện và điện tử thải bỏ và về pin và ắc quy và pin và ắc quy thải bỏ, cũng như sự thích ứng của chúng với luật pháp quốc gia, các thiết bị điện, pin và ắc quy thải phải được cất giữ riêng biệt và chuyển đến một điểm thu gom rác thải đô thị riêng, hoạt động theo các quy định về bảo vệ môi trường. Điều này được biểu thị bằng biểu tượng thùng rác có bánh xe gạch chéo được đặt trên thiết bị.

### Mục đích sử dụng

Dụng cụ này được thiết kế để cắt thẳng và cắt vát góc chính xác cho vật liệu gỗ.

Không được sử dụng cưa để cắt các vật liệu khác ngoài gỗ, nhôm hoặc vật liệu tương tự.

## CẢNH BÁO AN TOÀN

### Cảnh báo an toàn chung dành cho dụng cụ máy

**⚠ CẢNH BÁO:** Xin đọc tất cả các cảnh báo an toàn, hướng dẫn, minh họa và thông số kỹ thuật đi kèm với dụng cụ máy này. Việc không tuân theo các hướng dẫn được liệt kê dưới đây có thể dẫn đến điện giật, hỏa hoạn và/hoặc thương tích nghiêm trọng.

### Lưu giữ tất cả cảnh báo và hướng dẫn để tham khảo sau này.

Thuật ngữ “dụng cụ máy” trong các cảnh báo đề cập đến dụng cụ máy (có dây) được vận hành bằng nguồn điện chính hoặc dụng cụ máy (không dây) được vận hành bằng pin của bạn.

#### An toàn tại nơi làm việc

- Giữ nơi làm việc sạch sẽ và có đủ ánh sáng. Nơi làm việc bừa bộn hoặc tối thường dễ gây ra tai nạn.

2. **Không vận hành dụng cụ máy trong môi trường cháy nổ, ví dụ như môi trường có sự hiện diện của các chất lỏng, khí hoặc bụi dễ cháy.** Các dụng cụ máy tạo tia lửa điện có thể làm bụi hoặc khí bốc cháy.
3. **Giữ trẻ em và người ngoài tránh xa nơi làm việc khi đang vận hành dụng cụ máy.** Sự xao lãng có thể khiến bạn mất khả năng kiểm soát.

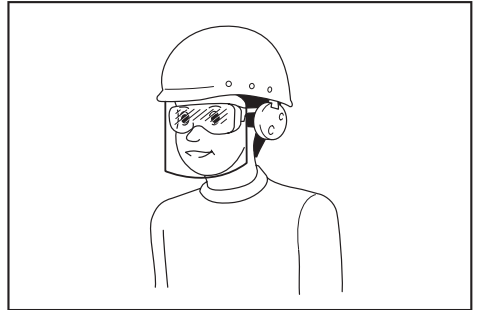
#### An toàn về Điện

1. **Phích cắm của dụng cụ máy phải khớp với ổ cắm. Không được sửa đổi phích cắm theo bất kỳ cách nào. Không sử dụng bất kỳ phích chuyển đổi nào với các dụng cụ máy được nối đất (tiếp đất).** Các phích cắm còn nguyên vẹn và ổ cắm phù hợp sẽ giảm nguy cơ điện giật.
2. **Tránh để cơ thể tiếp xúc với các bề mặt nóng đất hoặc tiếp đất như đường ống, bộ tản nhiệt, bếp ga và tủ lạnh.** Nguy cơ bị điện giật sẽ tăng lên nếu cơ thể bạn được nối đất hoặc tiếp đất.
3. **Không để dụng cụ máy tiếp xúc với mưa hoặc trong điều kiện ẩm ướt.** Nước lọt vào dụng cụ máy sẽ làm tăng nguy cơ điện giật.
4. **Không lạm dụng dây điện. Không được phép sử dụng dây để mang, kéo hoặc tháo phích cắm dụng cụ máy. Giữ dây tránh xa nguồn nhiệt, dầu, các mép sắc hoặc các bộ phận chuyển động.** Dây bị hỏng hoặc bị rối sẽ làm tăng nguy cơ điện giật.
5. **Khi vận hành dụng cụ máy ngoài trời, hãy sử dụng dây kéo dài phù hợp cho việc sử dụng ngoài trời.** Việc dùng dây phù hợp cho việc sử dụng ngoài trời sẽ giảm nguy cơ điện giật.
6. **Nếu bắt buộc phải vận hành dụng cụ máy ở nơi ẩm ướt, hãy sử dụng nguồn cấp điện được bảo vệ bằng thiết bị ngắt dòng điện rò (RCD).** Việc sử dụng RCD sẽ làm giảm nguy cơ điện giật.
7. **Các dụng cụ máy có thể tạo ra từ trường điện (EMF) có hại cho người dùng.** Tuy nhiên, người dùng máy trợ tim và những thiết bị y tế tương tự khác nên liên hệ với nhà sản xuất thiết bị và/hoặc bác sỹ để được tư vấn trước khi vận hành dụng cụ này.

#### An toàn Cá nhân

1. **Luôn tỉnh táo, quan sát những việc bạn đang làm và sử dụng những phán đoán theo kinh nghiệm khi vận hành dụng cụ máy. Không sử dụng dụng cụ máy khi bạn đang mệt mỏi hoặc chịu ảnh hưởng của ma túy, rượu hay thuốc.** Chỉ một khoảnh khắc không tập trung khi đang vận hành dụng cụ máy cũng có thể dẫn đến thương tích cá nhân nghiêm trọng.
2. **Sử dụng thiết bị bảo hộ cá nhân. Luôn đeo thiết bị bảo vệ mắt.** Các thiết bị bảo hộ như mặt nạ chống bụi, giày an toàn chống trượt, mũ bảo hộ hay thiết bị bảo vệ thính giác được sử dụng trong các điều kiện thích hợp sẽ giúp giảm thương tích cá nhân.
3. **Tránh vô tình khởi động dụng cụ máy. Đảm bảo công tắc ở vị trí off (tắt) trước khi nối nguồn điện và/hoặc bộ pin, cắm hoặc di chuyển dụng cụ máy.** Việc di chuyển dụng cụ máy khi đang đặt ngón tay ở vị trí công tắc hoặc cấp điện cho dụng cụ máy đang bật thường dễ gây ra tai nạn.

4. **Tháo tất cả các khóa hoặc cờ lê điều chỉnh trước khi bật dụng cụ máy.** Việc cờ lê hoặc khóa vẫn còn gắn vào bộ phận quay của dụng cụ máy có thể dẫn đến thương tích cá nhân.
5. **Không vớ quá cao. Luôn giữ thẳng bằng tốt và có chỗ để chân phù hợp.** Điều này cho phép điều khiển dụng cụ máy tốt hơn trong những tình huống bất ngờ.
6. **Ăn mặc phù hợp. Không mặc quần áo rộng hay đeo đồ trang sức. Giữ tóc và quần áo tránh xa các bộ phận chuyển động.** Quần áo rộng, đồ trang sức hay tóc dài có thể mắc vào các bộ phận chuyển động.
7. **Nếu các thiết bị được cung cấp để kết nối các thiết bị thu gom và hút bụi, hãy đảm bảo chúng được kết nối và sử dụng hợp lý.** Việc sử dụng thiết bị thu gom bụi có thể làm giảm những mối nguy hiểm liên quan đến bụi.
8. **Không vì quen thuộc do thường xuyên sử dụng các dụng cụ mà cho phép bạn trở nên tự mãn và bỏ qua các nguyên tắc an toàn dụng cụ.** Một hành động bất cẩn có thể gây ra thương tích nghiêm trọng trong một phần của một giây.
9. **Luôn luôn mang kính bảo hộ để bảo vệ mắt khỏi bị thương khi đang sử dụng các dụng cụ máy. Kính bảo hộ phải tuân thủ ANSI Z87.1 ở Mỹ, EN 166 ở Châu Âu, hoặc AS/NZS 1336 ở Úc/New Zealand. Tại Úc/New Zealand, theo luật pháp, bạn cũng phải mang mặt nạ che mặt để bảo vệ mặt.**



**Trách nhiệm của chủ lao động là bắt buộc người vận hành dụng cụ và những người khác trong khu vực làm việc cạnh đó phải sử dụng các thiết bị bảo hộ an toàn thích hợp.**

#### Sử dụng và bảo quản dụng cụ máy

1. **Không dùng lực đối với dụng cụ máy. Sử dụng đúng dụng cụ máy cho công việc của bạn.** Sử dụng đúng dụng cụ máy sẽ giúp thực hiện công việc tốt hơn và an toàn hơn theo giá trị định mức được thiết kế của dụng cụ máy đó.
2. **Không sử dụng dụng cụ máy nếu công tắc không bật và tắt được dụng cụ máy đó.** Mọi dụng cụ máy không thể điều khiển được bằng công tắc đều rất nguy hiểm và phải được sửa chữa.

- Rút phích cắm ra khỏi nguồn điện và/hoặc tháo kết nối bộ pin khỏi dụng cụ máy, nếu có thể tháo rời trước khi thực hiện bất kỳ công việc điều chỉnh, thay đổi phụ tùng hay cất giữ dụng cụ máy nào.** Những biện pháp an toàn phòng ngừa này sẽ giảm nguy cơ vô tình khởi động dụng cụ máy.
- Cất giữ các dụng cụ máy không sử dụng ngoài tầm với của trẻ em và không cho bất kỳ người nào không có hiểu biết về dụng cụ máy hoặc các hướng dẫn này vận hành dụng cụ máy.** Dụng cụ máy sẽ rất nguy hiểm nếu được sử dụng bởi những người dùng chưa qua đào tạo.
- Bảo dưỡng dụng cụ máy và các phụ kiện.** Kiểm tra tình trạng lịch trực hoặc bộ kẹp của các bộ phận chuyển động, hiện tượng nứt vỡ của các bộ phận và mọi tình trạng khác mà có thể ảnh hưởng đến hoạt động của dụng cụ máy. Nếu có hỏng hóc, hãy sửa chữa dụng cụ máy trước khi sử dụng. Nhiều tai nạn xảy ra là do không bảo quản tốt dụng cụ máy.
- Luôn giữ cho dụng cụ cất được sắc bén và sạch sẽ.** Những dụng cụ cất được bảo quản tốt có mép cắt sắc sẽ ít bị kẹt hơn và dễ điều khiển hơn.
- Sử dụng dụng cụ máy, phụ tùng và đầu dụng cụ cắt, v.v... theo các hướng dẫn này, có tính đến điều kiện làm việc và công việc được thực hiện.** Việc sử dụng dụng cụ máy cho các công việc khác với công việc dự định có thể gây nguy hiểm.
- Giữ tay cầm và bề mặt tay cầm khô, sạch, không dính dầu và mỡ.** Tay cầm trơn trượt và bề mặt tay cầm không cho phép xử lý an toàn và kiểm soát dụng cụ trong các tình huống bất ngờ.
- Khi sử dụng dụng cụ, không được đi giày tay lao động bằng vải, có thể bị vướng.** Việc giày tay lao động bằng vải vướng vào các bộ phận chuyển động có thể gây ra thương tích cá nhân.

- Không để bộ pin hoặc dụng cụ tiếp xúc với lửa hoặc nhiệt độ quá cao.** Tiếp xúc với lửa hoặc nhiệt độ trên 130 °C có thể gây ra cháy nổ.
- Làm theo tất cả các hướng dẫn sạc pin và không được sạc bộ pin hoặc dụng cụ vượt giới hạn nhiệt độ quy định trong hướng dẫn.** Sạc pin không đúng hoặc ở nhiệt độ vượt giới hạn nhiệt độ có thể gây hư hỏng cho pin và làm tăng nguy cơ cháy.

#### Bảo dưỡng

- Đề nghị viên sửa chữa đủ trình độ bảo dưỡng dụng cụ máy của bạn và chỉ sử dụng các bộ phận thay thế đồng nhất.** Việc này sẽ đảm bảo duy trì được độ an toàn của dụng cụ máy.
- Không bao giờ sử dụng bộ pin đã hỏng.** Dịch vụ bảo hành bộ pin chỉ nên thực hiện bởi nhà sản xuất hoặc các nhà cung cấp dịch vụ được ủy quyền.
- Tuân theo hướng dẫn dành cho việc bôi trơn và thay phụ tùng.**

### Hướng dẫn an toàn cho cưa đa góc

- Cưa đa góc được sử dụng để cắt các sản phẩm gỗ hay giống như gỗ, chúng không thể sử dụng được với đĩa cắt nhám để cắt các vật liệu chưa sắt như thanh, que, đinh tán, v.v...** Bụi mịn sẽ làm cho các bộ phận chuyển động như phần bảo vệ bên dưới bị kẹt. Tia lửa từ quá trình cắt nhám sẽ đốt cháy phần bảo vệ bên dưới, gây rãnh cưa và các bộ phận bằng nhựa khác.
- Sử dụng kẹp để giữ chặt phôi gia công bất cứ khi nào có thể. Nếu giữ phôi gia công bằng tay, bạn phải luôn giữ tay của mình cách hai cạnh của lưỡi cưa ít nhất 100mm.** Không sử dụng cưa này để cắt các vật quá nhỏ so với kẹp cố định hoặc phải giữ bằng tay. Nếu tay của bạn được đặt quá gần lưỡi cưa thì sẽ tăng nguy cơ chấn thương do bị tiếp xúc với lưỡi cưa.
- Phôi gia công phải được cố định và kẹp hoặc giữ chắc vào cả thanh chặn và bàn.** Không gắn phôi gia công vào lưỡi cưa hoặc cắt dùng “tay tự do” trong bất kỳ trường hợp nào. Phôi gia công không được giữ hoặc di động có thể bị văng ra ở tốc độ cao, gây chấn thương.
- Đẩy cưa qua phôi gia công. Không kéo cưa qua phôi gia công.** Để thực hiện cắt, nâng đầu cưa và kéo nó ra phía trên phôi gia công nhưng chưa cắt, khởi động động cơ, ấn đầu cưa xuống và đẩy cưa qua phôi gia công. Cắt trên hành trình kéo có thể làm lưỡi cưa chệch lên trên đầu của phôi gia công và làm văng mạnh lưỡi cưa về hướng người điều khiển.
- Không bao giờ đặt chéo tay của bạn lên đường định cắt kể cả phía trước hay sau lưỡi cưa.** Việc giữ phôi gia công “chéo tay” tức là giữ phôi gia công ở phía bên phải của lưỡi cưa bằng tay trái của bạn hoặc ngược lại là rất nguy hiểm.

#### ► Hình 1

#### Sử dụng và bảo quản dụng cụ dùng pin

- Chỉ sạc pin lại với bộ sạc do nhà sản xuất quy định.** Bộ sạc phù hợp với một loại bộ pin này có thể gây ra nguy cơ hỏa hoạn khi được dùng cho một bộ pin khác.
- Chỉ sử dụng các dụng cụ máy với các bộ pin được quy định cụ thể.** Việc sử dụng bất cứ bộ pin nào khác có thể gây ra thương tích và hỏa hoạn.
- Khi không sử dụng bộ pin, hãy giữ tránh xa các đồ vật khác bằng kim loại, chẳng hạn như kẹp giấy, tiền xu, chìa khóa, đinh, ốc vít hoặc các vật nhỏ bằng kim loại mà có thể làm nổi tất các đầu cực pin.** Các đầu cực pin bị đoản mạch có thể gây cháy hoặc hỏa hoạn.
- Trong điều kiện sử dụng quá mức, pin có thể bị cháy nước; hãy tránh tiếp xúc.** Nếu vô tình tiếp xúc với pin bị cháy nước, hãy rửa sạch bằng nước. Nếu dung dịch từ pin tiếp xúc với mắt, cần đi khám bác sĩ thêm. Dung dịch chảy ra từ pin có thể gây rát da hoặc bỏng.
- Không sử dụng bộ pin hoặc dụng cụ bị hư hỏng hoặc đã bị sửa đổi.** Pin đã bị hư hỏng hoặc đã bị sửa đổi có thể hành động theo cách không thể đoán trước dẫn đến cháy, nổ hoặc nguy cơ chấn thương.

6. **Không vớ ra đằng sau thanh chắn bằng tay ở khoảng cách gần hơn 100 mm từ cả hai cạnh của lưới cửa, để loại bỏ phế liệu, hoặc vì bất cứ nguyên nhân nào khác khi lưới cửa đang quay.** Bạn có thể sẽ sợ ý không nhận raluối cửa đang quay gần với tay của bạn, và có thể bị thương tổn nghiêm trọng.
  7. **Kiểm tra phôi gia công của bạn trước khi cắt. Nếu phôi gia công bị uốn hoặc bị cong vênh, hãy kẹp nó với mặt bị cong hướng về phía thanh chắn. Luôn chắc chắn khoảng cách giữa phôi gia công, thanh chắn và bàn dọc theo đường cắt. Phôi gia công bị uốn cong hoặc bị cong vênh có thể bị xoay hoặc xô dịch và có thể gây bó kẹt lưới cửa đang quay trong khi cắt. Không được có đinh ốc hoặc ngoại vật trong phôi gia công.**
  8. **Không được sử dụng cửa cho đến khi bàn đã được dọn sạch dụng cụ, phế liệu gỗ, v.v... trừ phôi gia công. Mảnh vụn nhỏ hoặc các miếng gỗ bị rời ra hoặc các vật thể khác khi tiếp xúc với lưới đang quay có thể bị văng ra với tốc độ cao.**
  9. **Chỉ cắt một phôi gia công một lần. Nhiều phôi gia công xếp chồng lên nhau sẽ không được kẹp chặt thỏa đáng và có thể gây bó kẹt lưới cửa hoặc bị xô dịch trong quá trình cắt.**
  10. **Hãy đảm bảo máy cửa đa góc được gắn hoặc đặt trên một mặt gia công phẳng, chắc chắn trước khi sử dụng. Bề mặt gia công phẳng và chắc sẽ làm giảm nguy cơ máy cửa đa góc hoạt động không ổn định.**
  11. **Lên kế hoạch cho công việc của bạn. Mỗi khi bạn thay đổi cài đặt góc xiên hoặc góc vát, hãy chắc chắn rằng thanh chắn có thể điều chỉnh được thiết lập chính xác để giữ phôi gia công và không gây cản trở cho lưới cửa hoặc hệ thống bảo vệ. Không cần bật dụng cụ thành "BẬT" và không để phôi gia công nào trên bàn, hãy di chuyển lưới cửa theo một nhất cắt mô phỏng hoàn chỉnh để đảm bảo rằng không có cản trở hoặc nguy hiểm do cắt vào thanh chắn.**
  12. **Cung cấp các dụng cụ hỗ trợ cần thiết như bàn nối thêm, giá cửa, v.v... cho phôi gia công rộng hoặc dài hơn mặt bàn. Phôi gia công dài hoặc rộng hơn bàn cửa đa góc có thể bị lật nếu không được giữ cố định. Nếu mảnh cắt hoặc phôi gia công bị lật, nó có thể sẽ nhấc phần bảo vệ bên dưới hoặc bị lưới cửa đang quay làm văng ra.**
  13. **Không được sử dụng người khác hỗ trợ để thay thế cho bàn nối thêm hoặc giá đỡ bổ sung. Giá đỡ phôi gia công không vững chắc có thể dẫn đến việc lưới cửa bị bó kẹt, hoặc phôi gia công bị xô dịch trong quá trình cắt sẽ kéo bạn hoặc người trợ giúp bị lôi về hướng lưới cửa đang quay.**
  14. **Không để mảnh cắt bị kẹt hoặc bị ấn về phía lưới cửa đang quay bằng bất cứ phương tiện nào. Nếu bị giới hạn, ví dụ như sử dụng thiết bị chặn chiều dài, mảnh cắt có thể bị chêm lại và văng mạnh ra ngoài.**
  15. **Luôn sử dụng kẹp hoặc dụng cụ có định được thiết kế để giữ các vật tròn như thanh tròn hoặc ống được chắc chắn. Thanh tròn có xu hướng cuộn vào khi cắt, gây ra tình trạng lưới cửa "cắn" và kéo vật đang gia công với tay bạn vào lưới cửa.**
  16. **Hãy để lưới cửa đạt đến tốc độ hoàn toàn trước khi tiếp xúc với phôi gia công. Điều này sẽ làm giảm nguy cơ vật ra công bị văng ra.**
  17. **Nếu phôi gia công hoặc lưới cửa bị kẹt, hãy tắt máy cửa đa góc. Chờ cho tất cả bộ phận chuyển động dừng hẳn và rút phích cắm khỏi nguồn điện và/hoặc tháo hộp pin ra. Sau đó cố các vật liệu bị kẹt ra. Việc tiếp tục cắt với phôi gia công bị kẹt có thể gây ra mất kiểm soát hoặc gây hư hỏng máy cửa đa góc.**
  18. **Sau khi hoàn tất cắt, nhả công tắc, hạ đầu máy cửa xuống và chờ cho lưới cửa dừng hẳn trước khi lấy mảnh cắt ra. Với tay gần với lưới cửa đang đi xuống rất nguy hiểm.**
  19. **Giữ tay cầm chắc khi việc thực hiện nhất cắt chưa hoàn tất hoặc khi nhả công tắc trước khi đầu cửa nằm hoàn toàn ở vị trí hạ xuống. Hành động hãm cửa lại có thể khiến đầu cửa bị kéo xuống đột ngột, gây ra nguy cơ chấn thương.**
  20. **Chỉ sử dụng lưới cửa có đường kính được đánh dấu trên dụng cụ hoặc được chỉ định trong hướng dẫn. Sử dụng lưới cửa có kích thước không đúng có thể ảnh hưởng đến phần bảo vệ thích hợp của lưới cửa hoặc hoạt động của phần bảo vệ, có thể dẫn đến thương tích nghiêm trọng.**
  21. **Chỉ sử dụng lưới cửa có ghi tốc độ bằng hoặc cao hơn tốc độ ghi trên dụng cụ.**
  22. **Không được sử dụng cửa để cắt các vật liệu khác ngoài gỗ, nhôm hoặc vật liệu tương tự.**
  23. **(Chỉ đối với các quốc gia Châu Âu) Luôn sử dụng lưới cửa tuân thủ theo EN847-1.**
- Hướng dẫn bổ sung**
1. **Không cho trẻ em vào xưởng làm việc bằng cách dùng khóa móc.**
  2. **Không bao giờ đứng lên dụng cụ. Chấn thương nghiêm trọng có thể xảy ra nếu dụng cụ bị lật nghiêng hoặc vô tình đụng phải với dụng cụ cắt.**
  3. **Không bao giờ để dụng cụ chạy mà không có người giám sát. Hãy tắt nguồn. Không rời dụng cụ cho đến khi nó dừng hẳn.**
  4. **Không vận hành máy cửa mà không có phần bảo vệ đặt đúng vị trí. Kiểm tra phần bảo vệ lưới cửa xem đã đóng đúng chưa trước mỗi lần sử dụng. Không vận hành máy cửa nếu phần bảo vệ lưới cửa không di chuyển tự do và đóng ngay tức khắc. Không được phép kẹp chặt hoặc buộc phần bảo vệ lưới cửa ở vị trí mở.**
  5. **Giữ tay tránh xa khỏi đường đi của lưới cửa. Tránh tiếp xúc với bất cứ lưới cửa nào đang đi xuống. Nó có thể vẫn gây ra các thương tích nghiêm trọng.**
  6. **Để giảm nguy cơ chấn thương, hãy đưa bàn trượt về lại hoàn toàn phía sau sau mỗi thao tác cắt ngang.**
  7. **Luôn có định an toàn tất cả các phần chuyển động trước khi di chuyển dụng cụ.**
  8. **Chốt chặn hoặc cần chặn dùng để khóa đầu cửa chỉ dùng cho việc di chuyển và cất giữ chứ không dùng cho bất kỳ thao tác cắt nào.**

9. Kiểm tra các lưới cửa thật cẩn thận xem có nứt hoặc hư hỏng gì không trước khi vận hành. Thay thế lưới bị nứt hoặc hư hỏng ngay lập tức. Chốt dính và nhựa gỗ bám chặt trên lưới cắt làm chậm cửa và tăng khả năng xảy ra hiện tượng bật ngược lại. Giữ lưới cắt sạch bằng cách trước tiên tháo lưới cắt ra khỏi dụng cụ sau đó lau sạch lưới cắt bằng chất tẩy chất dính và nhựa, nước nóng hoặc dầu hỏa. Không bao giờ sử dụng xăng để làm sạch lưới cắt.
10. Khi thực hiện cắt trượt, HIỆN TƯỢNG LỰC ĐÁY NGƯỢC có thể xảy ra. HIỆN TƯỢNG LỰC ĐÁY NGƯỢC xảy ra khi lưới cửa bị bó kẹt vào phôi gia công trong quá trình thao tác cắt và lưới cửa bị bật mạnh về phía người điều khiển. Tình huống này có thể gây ra mắt kiềm soát hoặc chấn thương cá nhân nghiêm trọng. Nếu lưới cửa bắt đầu bị bó kẹt trong quá trình cắt, không được tiếp tục cắt và hãy nhả công tắc ngay lập tức.
11. Chỉ sử dụng các vành được chỉ định cho dụng cụ này.
12. Cẩn thận để không làm hư hỏng trục, vành (đặc biệt là bề mặt lắp ráp) hay bu-lông. Làm hỏng những bộ phận này có thể dẫn đến hỏng lưới cửa.
13. Đảm bảo rằng để xoay được cố định chắc chắn để không di chuyển trong quá trình vận hành. Sử dụng các lỗ hỏng trong đế để gắn chặt máy cửa vào một bộ gia công hoặc bản gia công vững chắc. **KHÔNG BAO GIỜ** sử dụng dụng cụ ở vị trí mà người điều khiển cảm thấy khó thao tác.
14. Đảm bảo khoá trục được nhả ra trước khi bật công tắc.
15. Chắc chắn rằng lưới cửa không tiếp xúc với đế xoay ở vị trí thấp nhất.
16. Giữ thật chắc tay cầm. Cần biết rằng cửa sẽ di chuyển lên hoặc xuống một chút trong quá trình khởi động và dừng lại.
17. Đảm bảo rằng lưới cửa không tiếp xúc với phôi gia công trước khi bật công tắc lên.
18. Trước khi sử dụng dụng cụ này trên phôi gia công thực, hãy để dụng cụ chạy trong ít phút. Theo dõi xem sự rung hay lắc có thể cho thấy lắp ráp kém hay lưới cửa chưa cân bằng.
19. Ngừng vận hành ngay lập tức nếu bạn chú ý thấy bất cứ điều gì bất thường.
20. Không cố gắng khóa cần hời động vào vị trí “BẬT”.
21. Luôn sử dụng các phụ tùng được khuyến dùng trong tài liệu hướng dẫn này. Sử dụng các phụ tùng không phù hợp như đá mài có thể gây ra thương tích.
22. Một số vật liệu có thể chứa hóa chất độc hại. Phải cẩn trọng tránh hít phải bụi và để tiếp xúc với da. Tuân theo dữ liệu an toàn của nhà cung cấp vật liệu.
23. Không sử dụng nguồn điện có dây với dụng cụ này.

Các quy định an toàn bổ sung đối với đèn đang hoạt động

1. Đừng nhìn thẳng trực tiếp vào đèn hoặc nguồn sáng.

## LƯU GIỮ CÁC HƯỚNG DẪN NÀY.

**⚠ CẢNH BÁO: KHÔNG** vì đã thoải mái hay quen thuộc với sản phẩm (có được do sử dụng nhiều lần) mà không tuân thủ nghiêm ngặt các quy định về an toàn dành cho sản phẩm này. **VIỆC DÙNG SAI** hoặc không tuân theo các quy định về an toàn được nêu trong tài liệu hướng dẫn này có thể dẫn đến thương tích cá nhân nghiêm trọng.

## Hướng dẫn quan trọng về an toàn dành cho hộp pin

1. Trước khi sử dụng hộp pin, hãy đọc kỹ tất cả các hướng dẫn và dấu hiệu cảnh báo trên (1) bộ sạc pin, (2) pin và (3) sản phẩm sử dụng pin.
2. Không tháo rời hoặc làm thay đổi hộp pin. Việc này có thể dẫn đến hỏa hoạn, quá nhiệt hoặc nổ.
3. Nếu thời gian vận hành ngắn hơn quá mức, hãy ngừng vận hành ngay lập tức. Điều này có thể dẫn đến rủi ro quá nhiệt, có thể gây bỏng và thậm chí là nổ.
4. Nếu chất điện phân rơi vào mắt, hãy rửa sạch bằng nước sạch và đến cơ sở y tế ngay lập tức. Chất này có thể khiến bạn giảm thị lực.
5. Không để hộp pin ở tình trạng đoản mạch:
  - (1) Không chạm vào cực pin bằng vật liệu dẫn điện.
  - (2) Tránh cất giữ hộp pin trong hộp có các vật kim loại khác như đinh, tiền xu, v.v...
  - (3) Không được để hộp pin tiếp xúc với nước hoặc mưa.
 Đoản mạch pin có thể gây ra dòng điện lớn, quá nhiệt, có thể gây bỏng và thậm chí là hỏng hóc.
6. Không cất giữ cũng như sử dụng dụng cụ và hộp pin ở nơi nhiệt độ có thể lên tới hoặc vượt quá 50 °C (122 °F).
7. Không đốt hộp pin ngay cả khi hộp pin đã bị hư hại nặng hoặc hư hỏng hoàn toàn. Hộp pin có thể nổ khi tiếp xúc với lửa.
8. Không đóng đinh, cắt, nghiền nát, ném, làm rơi hộp pin hoặc va vật cứng vào hộp pin. Làm như thế có thể dẫn đến hỏa hoạn, quá nhiệt hoặc nổ.
9. Không sử dụng pin đã hỏng.



10. **Pin nén lithium-ion là đối tượng có yêu cầu bắt buộc theo Luật Hàng hoá Nguy hiểm.**  
Đối với vận tải thương mại, ví dụ như vận tải do bên thứ ba, đại lý giao nhận, thì yêu cầu đặc biệt về đóng gói và nhãn ghi phải được giám sát.  
Để chuẩn bị cho mặt hàng cần vận chuyển, cần phải tham khảo ý kiến chuyên gia về vật liệu nguy hiểm. Nếu được, vui lòng tuân thủ các quy định quốc gia chi tiết hơn.  
Buộc hoặc niêm phong các tiếp điểm mở và đóng gói pin theo cách đó để nó không thể di chuyển trong bao bì.
11. **Khi rút bỏ hộp pin, hãy tháo chúng khỏi dụng cụ và thái bỏ ở nơi an toàn. Phải tuân thủ theo các quy định của địa phương liên quan đến việc thái bỏ pin.**
12. **Chỉ sử dụng pin cho các sản phẩm Makita chỉ định.** Lắp pin vào sản phẩm không thích hợp có thể gây ra hoả hoạn, quá nhiệt, nổ, hoặc rò chất điện phân.
13. **Nếu dụng cụ không được sử dụng trong một thời gian dài, cần phải tháo pin ra khỏi dụng cụ.**
14. **Trong và sau khi sử dụng, hộp pin có thể bị nóng, có thể gây bỏng hoặc bỏng ở nhiệt độ thấp. Chú ý xử lý hộp pin nóng.**
15. **Không chạm vào điện cực của dụng cụ ngay sau khi sử dụng vì điện cực đủ nóng để gây bỏng.**
16. **Không để vụn bào, bụi hoặc đất bám vào các điện cực, lỗ và rãnh của hộp pin.** Việc này có thể dẫn đến hiệu suất kém hoặc hỏng hóc dụng cụ hay hộp pin.
17. **Trừ khi dụng cụ hỗ trợ sử dụng gần đường dây điện cao thế, không sử dụng hộp pin gần đường dây điện cao thế.** Việc này có thể dẫn đến trực trặc hoặc hỏng hóc dụng cụ hay hộp pin.
18. **Giữ pin tránh xa trẻ em.**

## LƯU GIỮ CÁC HƯỚNG DẪN NÀY.

**⚠ THẬN TRỌNG:** Chỉ sử dụng pin Makita chính hãng. Việc sử dụng pin không chính hãng Makita, hoặc pin đã được sửa đổi, có thể dẫn đến nổ pin gây ra cháy, thương tích và thiệt hại cá nhân. Nó cũng sẽ làm mất hiệu lực bảo hành của Makita dành cho dụng cụ của Makita và bộ sạc.

## Mẹo duy trì tuổi thọ tối đa cho pin

1. **Sạc hộp pin trước khi pin bị xả điện hoàn toàn.** Luôn dừng việc vận hành dụng cụ và sạc pin khi bạn nhận thấy công suất dụng cụ bị giảm.
2. **Không được phép sạc lại một hộp pin đã được sạc đầy.** Sạc quá mức sẽ làm giảm tuổi thọ của pin.
3. **Sạc pin ở nhiệt độ phòng 10°C - 40°C.** Để cho hộp pin nóng nguội lại dần trước khi sạc pin.
4. **Khi không sử dụng hộp pin, hãy tháo hộp pin ra khỏi dụng cụ hoặc bộ sạc.**
5. **Sạc pin sáu tháng một lần nếu bạn không sử dụng dụng cụ trong một thời gian dài (hơn sáu tháng).**

## Hướng dẫn quan trọng về an toàn dành cho thiết bị thu và phát không dây

1. **Không tháo rời hoặc làm thay đổi thiết bị thu và phát không dây.**
2. **Giữ thiết bị thu và phát không dây tránh xa trẻ em.** Nếu vô tình nuốt phải, hãy đến cơ sở y tế ngay lập tức.
3. **Chỉ sử dụng thiết bị thu và phát không dây với các dụng cụ Makita.**
4. **Không để thiết bị thu và phát không dây tiếp xúc với mưa hoặc điều kiện ẩm ướt.**
5. **Không sử dụng thiết bị thu và phát không dây ở những nơi nhiệt độ vượt quá 50°C.**
6. **Không vận hành thiết bị thu và phát không dây ở những nơi gần các dụng cụ y tế, chẳng hạn như máy tạo nhịp tim.**
7. **Không vận hành thiết bị thu và phát không dây ở những nơi gần các thiết bị tự động.** Nếu vận hành, các thiết bị tự động có thể phát sinh sự cố hoặc bị lỗi.
8. **Không để thiết bị thu và phát không dây ở những nơi chịu nhiệt độ cao hoặc nơi có thể tạo ra tĩnh điện hoặc nhiễu điện.**
9. **Thiết bị thu và phát không dây có thể tạo ra từ trường điện (EMF) nhưng không có hại cho người dùng.**
10. **Thiết bị thu và phát không dây là một dụng cụ chính xác.** Hãy cẩn trọng không làm rơi hoặc va đập thiết bị thu và phát không dây.
11. **Tránh chạm vào điện cực của thiết bị thu và phát không dây bằng tay trần hoặc vật liệu kim loại.**
12. **Luôn tháo pin ra khỏi sản phẩm khi lắp đặt thiết bị thu và phát không dây vào sản phẩm.**
13. **Khi mở nắp khe, hãy tránh nơi có bụi và nước có thể lọt vào khe.** Luôn giữ sạch đầu vào của khe.
14. **Luôn lắp thiết bị thu và phát không dây vào đúng hướng.**
15. **Không nhấn nút kích hoạt không dây trên thiết bị thu và phát không dây quá chặt và/hoặc nhấn nút bằng một vật có cạnh mép sắc.**
16. **Luôn đóng nắp khe khi vận hành.**
17. **Không tháo thiết bị thu và phát không dây khỏi khe trong khi dụng cụ đang được cấp điện.** Làm như vậy có thể khiến thiết bị thu và phát không dây bị hỏng.
18. **Không gỡ bỏ nhãn trên thiết bị thu và phát không dây.**
19. **Không được dán bất kỳ nhãn nào lên thiết bị thu và phát không dây.**
20. **Không để thiết bị thu và phát không dây ở những nơi có thể tạo ra tĩnh điện hoặc nhiễu điện.**
21. **Không được để thiết bị thu và phát không dây ở những nơi tiếp xúc với nguồn nhiệt cao, như trong ô tô dưới trời nắng.**
22. **Không để thiết bị thu và phát không dây ở những nơi có bụi hoặc bột hoặc ở những nơi tạo ra khí ăn mòn.**

23. Thay đổi nhiệt độ đột ngột có thể làm thiết bị thu và phát không dây bị tụ hơi nước. Không sử dụng thiết bị thu và phát không dây cho đến khi nước ngưng tụ khô hoàn toàn.
24. Khi vệ sinh thiết bị thu và phát không dây, hãy lau nhẹ nhàng bằng vải mềm khô. Không sử dụng et-xăng, dung môi, dầu mỡ dẫn hoặc tương tự.
25. Khi bảo quản thiết bị thu và phát không dây, hãy cất giữ thiết bị trong hộp đựng được giao kèm hoặc hộp chống tĩnh điện.
26. Không được lắp bất kỳ thiết bị nào ngoài thiết bị thu và phát không dây Makita vào khe trên dụng cụ.
27. Không sử dụng dụng cụ có nắp khe bị hư hỏng. Nước, bụi bắn lọt vào khe có thể gây ra sự cố.
28. Không kéo và/hoặc vặn nắp khe nếu không cần thiết. Lắp lại nắp nếu nó rơi ra khỏi dụng cụ.
29. Thay thế nắp khe nếu bị mất hoặc hư hỏng.

## LƯU GIỮ CÁC HƯỚNG DẪN NÀY.

## MÔ TẢ CÁC BỘ PHẬN

### ► Hình2

1	Núm (đối với góc xiên)	2	Cờ lê sáu cạnh	3	Vít điều chỉnh (trong trường hợp vị trí giới hạn dưới)	4	Bu-lông điều chỉnh (trong trường hợp công suất cắt tối đa)
5	Tay chặn	6	Nút nhà khóa	7	Cần khởi động công tắc	8	Nắp (đối với thiết bị thu và phát không dây)
9	Lỗ cho khóa móc	10	Nút kích hoạt không dây	11	Đèn kích hoạt không dây	12	Nút đèn
13	Nút hút bụi	14	Vỏ che lưỡi cưa	15	Phần bảo vệ lưỡi cưa	16	Thanh cỡ phụ
17	Cần khóa (trong trường hợp để xoay)	18	Cần nhà (trong trường hợp để xoay)	19	Dụng cụ kẹp (trong trường hợp để xoay)	20	Rãnh cưa
21	Thang đo góc vát	22	Kim chỉ (trong trường hợp góc vát chéo)	23	Đế xoay	24	Đế phụ
25	Nút nhà (đối với góc xiên cạnh bên phải)	26	Bàn kẹp đứng	27	Chốt chặn (đối với bàn trượt)	28	Cực trượt

### ► Hình3

1	Tay cầm	2	Hộp pin	3	Túi chứa bụi (khi thay thế bằng ống xử lý bụi)	4	Ông nối (cho việc xử lý bụi)
5	Thang đo góc xiên	6	Bu lông điều chỉnh 0° (cho góc xiên)	7	Kim chỉ (đối với góc xiên)	8	Bu lông điều chỉnh 45° (cho góc xiên)
9	Chốt đôn bẫy (đối với góc xiên)	10	Cần nhà (đối với góc xiên 48°)	11	Thanh dẫn (thanh chặn trên)	12	Thanh dẫn (thanh chặn dưới)
13	Chốt chặn (để cố định độ cao bàn trượt)	14	Khóa trục	-	-	-	-

## LẮP RÁP

### Lắp tay cầm

Vít trục ren của tay cầm vào đế xoay.

► **Hình4:** 1. Tay cầm 2. Đế xoay

### Lắp đặt và tháo ống xử lý bụi

Gắn khuỷu nối ống vào cổng trên với nút khóa hướng lên trên. Chèn trụ ngoài của ống vào cổng dưới, nhấn và căn chỉnh nút để chặn trên trụ ngoài với rãnh dẫn hướng trên cổng.

Đảm bảo rằng khuỷu nối và trụ ngoài được gắn đúng vào các cổng của dụng cụ.

► **Hình5:** 1. Ống xử lý bụi 2. Khuỷu tay 3. Nút khóa 4. Trụ ngoài 5. Cổng trên 6. Cổng dưới

Để tháo khuỷu nối ống khỏi cổng, vừa kéo ống khuỷu nối ra vừa nhấn nút khóa xuống.

► **Hình6:** 1. Nút khóa 2. Khuỷu tay

Để tháo trụ ngoài của ống ra khỏi cổng, hãy kéo trụ ngoài trong khi nhấn nút để chặn ở cả hai bên của cổng.

► **Hình7:** 1. Nút để chặn 2. Trụ ngoài

### Lắp đặt bàn

Khi dụng cụ được vận chuyển, khóa tay cầm vào vị trí bên dưới bằng chốt chặn. Vừa hạ nhẹ tay cầm, vừa kéo chốt chặn và xoay nó 90°.

► **Hình8:** 1. Vị trí mở khóa 2. Vị trí mở khóa 3. Chốt chặn

Dụng cụ này cần phải được bắt bốn bu-lông vào một bề mặt phẳng và cố định có sử dụng các lỗ bu-lông được cung cấp trong đế của dụng cụ. Điều này sẽ giúp ngăn trượt dụng cụ và thương tích có thể xảy ra.

► **Hình9:** 1. Bu-lông

**⚠ CẢNH BÁO:** Đảm bảo rằng dụng cụ sẽ không di chuyển trên bề mặt đỡ. Việc di chuyển máy cưa đa góc trên bề mặt đỡ khi đang cắt có thể dẫn đến mất điều khiển và thương tích cá nhân nghiêm trọng.

## MÔ TẢ CHỨC NĂNG

**⚠ CẢNH BÁO:** Luôn đảm bảo rằng dụng cụ đã được tắt và hộp pin đã được tháo trước khi điều chỉnh hoặc kiểm tra chức năng trên dụng cụ. Không tắt hoặc tháo hộp pin vì có thể dẫn đến các thương tích cá nhân nghiêm trọng do vô tình khởi động máy.

## Lắp hoặc tháo hộp pin

**⚠ THẬN TRỌNG:** Luôn tắt dụng cụ trước khi lắp hoặc tháo hộp pin.

**⚠ THẬN TRỌNG:** Giữ dụng cụ và hộp pin thật chắc khi lắp hoặc tháo hộp pin. Không giữ dụng cụ và hộp pin thật chắc có thể làm trượt chúng khỏi tay và làm hư hỏng dụng cụ và hộp pin hoặc gây thương tích cá nhân.

► **Hình10:** 1. Chỉ báo màu đỏ 2. Nút 3. Hộp pin

Để tháo hộp pin, vừa trượt pin ra khỏi dụng cụ vừa đẩy trượt nút ở phía trước hộp pin.

Để lắp hộp pin, đặt thẳng hàng phần chốt nhỏ ra của hộp pin vào phần rãnh nằm trên vỏ và trượt hộp pin vào vị trí. Đưa hộp pin vào hết mức cho đến khi chốt khóa vào đúng vị trí với một tiếng cách nhẹ. Nếu bạn có thể nhìn thấy chỉ báo màu đỏ như thể hiện trong hình, điều đó có nghĩa vẫn chưa được khóa hoàn toàn.

**⚠ THẬN TRỌNG:** Luôn lắp hộp pin khớp hoàn toàn vào vị trí cho đến khi không thể nhìn thấy chỉ báo màu đỏ. Nếu không, hộp pin có thể vô tình rơi ra khỏi dụng cụ, gây thương tích cho bạn hoặc người khác xung quanh.

**⚠ THẬN TRỌNG:** Không được dùng sức lắp hộp pin. Nếu hộp pin không nhẹ nhàng trượt vào vị trí, có nghĩa là pin vẫn chưa được lắp đúng.

## Hệ thống bảo vệ dụng cụ / pin

Dụng cụ này được trang bị hệ thống bảo vệ dụng cụ / pin. Hệ thống này sẽ tự động ngắt nguồn điện đến động cơ để kéo dài tuổi thọ dụng cụ và pin. Dụng cụ sẽ tự động dừng vận hành khi dụng cụ hoặc pin ở một trong những trường hợp sau đây. Trong một số trường hợp, các đèn chỉ báo này sẽ sáng lên.

## Bảo vệ quá tải

Khi vận hành dụng cụ/pin trong điều kiện làm máy tiêu tốn dòng cao bất thường, dụng cụ sẽ tự động dừng lại. Trong trường hợp này, hãy tắt dụng cụ và ngừng ứng dụng làm cho dụng cụ trở nên quá tải. Sau đó bật dụng cụ lên để khởi động lại.

## Bảo vệ quá nhiệt

Khi dụng cụ/pin bị quá nhiệt, dụng cụ sẽ tự động dừng và đèn sẽ nhấp nháy. Trong tình huống này, hãy để dụng cụ nguội lại trước khi bật dụng cụ một lần nữa.

## Bảo vệ xả điện quá mức

Khi dung lượng pin yếu, thì dụng cụ sẽ tự động dừng. Nếu dụng cụ không hoạt động theo vận hành chuyên đổi, hãy tháo pin ra khỏi dụng cụ và sạc pin.

## Chỉ báo dung lượng pin còn lại

Ấn nút check (kiểm tra) trên hộp pin để chỉ báo dung lượng pin còn lại. Các đèn chỉ báo bật sáng lên trong vài giây.

► **Hình11:** 1. Các đèn chỉ báo 2. Nút Check (kiểm tra)

Các đèn chỉ báo			Dung lượng còn lại
Bật sáng	Tắt	Nhấp nháy	
■ ■ ■ ■			75% đến 100%
■ ■ ■ □			50% đến 75%
■ ■ □ □			25% đến 50%
■ □ □ □			0% đến 25%
▣ □ □ □			Sạc pin.
■ ■ □ □			Pin có thể đã bị hỏng.
□ □ ■ ■			

**LƯU Ý:** Tùy thuộc vào các điều kiện sử dụng và nhiệt độ xung quanh, việc chỉ báo có thể khác biệt một chút so với dung lượng thực sự.

**LƯU Ý:** Đèn chỉ báo (phía xa bên trái) đầu tiên sẽ nhấp nháy khi hệ thống bảo vệ pin hoạt động.

## Khóa tay cầm

**⚠ THẬN TRỌNG:** Luôn giữ tay cầm khi nhà chốt chặn. Nếu không thì tay cầm sẽ nảy lên và có thể dẫn đến thương tích cá nhân.

Tay cầm có thể được khóa ở vị trí hạ xuống hoặc vị trí nâng lên bằng chốt chặn. Hạ hoặc nâng tay cầm hết mức, sau đó kéo và xoay chốt chặn ở vị trí khóa. Để mở khóa tay cầm, kéo chốt chặn và xoay 90° ở vị trí mở khóa trong khi hơi hạ thấp tay cầm.

► **Hình12:** 1. Vị trí khóa 2. Vị trí mở khóa 3. Chốt chặn

## Khóa trượt

Kéo chốt chặn và xoay 90° ở vị trí mở khóa để cho phép bàn trượt chuyển động tự do. Để khóa chuyển động trượt của bàn trượt, đẩy bàn trượt về phía tay cầm cho đến khi dừng lại, sau đó trả lại chốt chặn ở vị trí khóa.

► **Hình13:** 1. Vị trí khóa 2. Vị trí mở khóa 3. Chốt chặn 4. Tay gạt

## Phản bảo vệ lưới cửa

**⚠ CẢNH BÁO:** Không làm hỏng hoặc tháo phần bảo vệ lưới cửa hoặc lò xo gắn vào phần bảo vệ.

Lưới cửa lộ ra do bảo vệ không tốt có thể dẫn đến thương tích cá nhân nghiêm trọng trong khi vận hành.

**⚠ CẢNH BÁO:** Không được phép sử dụng dụng cụ nếu phần bảo vệ lưới cửa hoặc lò xo bị hỏng, lỏng, hoặc bị tháo ra. Vận hành dụng cụ có phần bảo vệ bị hỏng, lỏng hoặc bị tháo ra có thể dẫn đến thương tích cá nhân nghiêm trọng.

**⚠ THẬN TRỌNG:** Luôn duy trì phần bảo vệ lưới trong điều kiện tốt để vận hành an toàn. Ngừng vận hành ngay nếu phần bảo vệ lưới của có bất thường bất kỳ. Kiểm tra để đảm bảo rằng lò xo chịu tải trở lại trạng thái bảo vệ.

Khi hạ thấp tay cầm, phần bảo vệ lưới cửa sẽ tự động nâng lên. Phần bảo vệ chịu tải bằng lò xo nên nó sẽ quay trở về vị trí ban đầu khi việc cắt hoàn thành và tay cầm được nâng lên.

► **Hình14:** 1. Phần bảo vệ lưới cửa

## Vệ sinh

Nếu phần bảo vệ lưới cửa trong suốt này bị bẩn hoặc mờ cửa bám vào khiến lưới cửa và/hoặc phôi gia công không còn dễ nhìn thấy, hãy tháo hộp pin và lau sạch phần bảo vệ thật cẩn thận bằng vải ẩm. Không sử dụng dung môi hoặc bất kỳ chất làm sạch có dầu lên phần bảo vệ bằng nhựa vì việc này có thể làm hỏng phần bảo vệ.

Thực hiện theo hướng dẫn từng bước được liệt kê về cách chuẩn bị để vệ sinh.

1. Đảm bảo rằng đã tắt dụng cụ và đã tháo hộp pin.
  2. Vận bu-lông lục giác ngược chiều kim đồng hồ bằng cách sử dụng cờ lê lục giác được cung cấp trong khi giữ lớp vỏ bảo vệ trung tâm.
  3. Nâng phần bảo vệ lưới cửa và lớp vỏ bảo vệ trung tâm.
  4. Khi vệ sinh xong, đặt lại lớp vỏ bảo vệ trung tâm và siết chặt bu-lông lục giác bằng cách thực hiện ngược lại các bước trên.
  5. Đảm bảo trả lại lưới cửa đĩa và lớp vỏ bảo vệ trung tâm về vị trí ban đầu và siết chặt bu-lông lục giác.
- **Hình15:** 1. Cờ lê lục giác 2. Bu-lông lục giác 3. Lớp vỏ bảo vệ trung tâm 4. Phần bảo vệ lưới cửa

**⚠ CẢNH BÁO:** Không được tháo lò xo giữ phần bảo vệ lưới cửa. Nếu phần bảo vệ bị hỏng qua thời gian hoặc tiếp xúc với tia tử ngoại UV, hãy liên lạc với trung tâm dịch vụ Makita để thay thế. **KHÔNG ĐƯỢC LÀM HỎNG HOẶC THÁO PHẦN BẢO VỆ.**

## Định vị rãnh cửa

Dụng cụ này được cung cấp kèm theo rãnh cửa ở để xoay để giảm thiểu nứt ở phía ra của mảnh cắt. Rãnh cửa đã được nhà máy điều chỉnh để lưới cửa đĩa không tiếp xúc với rãnh cửa. Trước khi sử dụng, hãy điều chỉnh rãnh cửa như sau:

1. Đảm bảo đã tháo hộp pin. Sau đó, nới lỏng toàn bộ các vít (bên trái và bên phải mỗi bên 3 cái) dùng để cố định rãnh cửa.

► **Hình16:** 1. Rãnh cửa 2. Vít

**LƯU Ý:** Có thể dễ dàng nới lỏng và siết chặt các vít xa phía sau bằng cách xoay để xoay theo một góc. Đảm bảo nâng tay cầm hết mức khi xoay để xoay.

2. Siết chặt lại các vít đến mức rãnh cửa vẫn có thể dễ dàng được di chuyển bằng tay.

**LƯU Ý:** Đảm bảo đưa để xoay về góc ban đầu (góc vát 0°) khi đặt lại vị trí rãnh cửa.

3. Hạ thấp tay cầm xuống hoàn toàn, sau đó kéo và xoay chốt chặn để khóa tay cầm ở vị trí bên dưới.

4. Kéo và xoay chốt chặn trên cực trượt để bàn trượt có thể trượt.

► **Hình17:** 1. Chốt chặn 2. Vị trí khóa 3. Vị trí mở khóa

5. Kéo hoàn toàn bàn trượt về phía bạn.

6. Điều chỉnh rãnh cửa sao cho rãnh cửa chỉ tiếp xúc với cạnh của răng cửa.

► **Hình18**

► **Hình19:** 1. Lưới cửa 2. Rãnh cửa 3. Rãnh cửa 4. Cắt xiên góc trái 5. Cắt thẳng 6. Cắt xiên góc phải

7. Siết chặt các vít phía trước (không siết quá chặt).

8. Đẩy hoàn toàn bàn trượt về phía thanh dẫn sau đó điều chỉnh rãnh cửa sao cho rãnh cửa chỉ tiếp xúc với cạnh của răng cửa.

9. Siết các vít trung tâm (không siết quá chặt).

10. Sau khi điều chỉnh rãnh cửa, nhả chốt chặn cho khóa tay cầm và nâng tay cầm. Sau đó siết chặt tất cả vít.

**CHÚ Ý:** Sau khi cài đặt góc xiên, đảm bảo rằng rãnh cửa được điều chỉnh hợp lý. Điều chỉnh rãnh cửa hợp lý sẽ tạo lực đỡ thích hợp cho phôi gia công và giúp giảm thiểu phôi gia công bị mòn đi.

## Duy trì công suất cắt tối đa

Dụng cụ này đã được nhà máy điều chỉnh để cung cấp công suất cắt tối đa cho lưỡi cưa 305 mm. Khi lắp đặt lưỡi cưa đĩa mới, luôn kiểm tra vị trí giới hạn bên dưới của lưỡi cưa đĩa, và nếu cần thiết, hãy điều chỉnh nó như sau:

1. Tháo hộp pin. Sau đó xoay cần chặn về vị trí gài.  
▶ **Hình20:** 1. Cần chặn
2. Đẩy hết mức bàn trượt về phía thanh dẫn và hạ thấp tay cầm xuống hoàn toàn.  
▶ **Hình21:** 1. Tấm chắn dẫn hướng 2. Bu-lông điều chỉnh
3. Sử dụng cờ lê lục giác để xoay bu-lông điều chỉnh cho đến khi lưỡi cưa đĩa hơi chạm vào bên dưới mặt cắt ngang của thanh dẫn và mặt trên của đế xoay.  
▶ **Hình22:** 1. Mặt trên của đế xoay 2. Thanh dẫn
4. Hãy xoay lưỡi cưa bằng tay trong khi giữ tay cầm ấn xuống hết mức để đảm bảo rằng lưỡi cưa đĩa không tiếp xúc với bất kỳ bộ phận nào của phần đế bên dưới. Nhẹ nhàng điều chỉnh lại nếu cần thiết.

**⚠ CẢNH BÁO:** Sau khi lắp một lưỡi cưa đĩa mới và hộp pin đã được tháo ra, luôn đảm bảo rằng lưỡi cưa đĩa không tiếp xúc với bất kỳ bộ phận nào của phần đế bên dưới khi tay cầm được hạ thấp hoàn toàn. Nếu lưỡi cưa đĩa tiếp xúc với đế thì lưỡi cưa có thể bị bật ngược lại và dẫn đến thương tích cá nhân nghiêm trọng.

▶ **Hình23**

**⚠ THẬN TRỌNG:** Luôn quay cần chặn trở lại vị trí ban đầu sau khi điều chỉnh.

## Tay chặn

Vị trí giới hạn dưới của lưỡi cưa đĩa có thể được điều chỉnh dễ dàng bằng tay chặn. Để điều chỉnh tay chặn, di chuyển tay chặn theo hướng mũi tên như hiển thị trên hình. Vận vít điều chỉnh để lưỡi cưa đĩa dừng ở vị trí mong muốn khi hạ thấp tay cầm xuống hết mức.

▶ **Hình24:** 1. Vít điều chỉnh 2. Tay chặn

**⚠ THẬN TRỌNG:** Luôn giữ thật chắc tay cầm khi điều chỉnh. Nếu không làm như vậy có thể khiến cho bàn trượt bật lên và dẫn đến thương tích.

## Điều chỉnh góc vát

**⚠ THẬN TRỌNG:** Sau khi thay đổi góc vát, phải luôn cố định đế xoay bằng cách trả lại cần khóa/cần nhả ở vị trí khóa và siết chặt tay cầm.

**CHÚ Ý:** Khi xoay đế xoay, hãy đảm bảo đã nâng tay cầm hết mức.

1. Xoay tay cầm ngược chiều kim đồng hồ. Sau đó nhấn và giữ cần khóa vào vị trí mở khóa.
2. Giữ và xoay tay cầm từ bên này sang bên kia để xoay đế xoay.
3. Căn chỉnh kim chỉ đến góc mong muốn trên thang đo góc vát.

4. Nhả cần khóa và siết chặt tay cầm.

▶ **Hình25:** 1. Tay cầm 2. Cần khóa 3. Kim chỉ  
4. Thang đo góc vát

## Chức năng dừng theo chiều thuận

Máy cưa đa góc để bàn hoạt động bằng động cơ điện này cho phép sử dụng chức năng dừng theo chiều thuận. Bạn có thể cài đặt nhanh góc vát phải/trái 0°, 15°, 22,5°, 31,6°, 45°, và 60°.

1. Xoay tay cầm ngược chiều kim đồng hồ
  2. Nhấn và giữ cần khóa ở vị trí mở khóa.
  3. Xoay đế xoay gần đến góc dừng theo chiều thuận mà bạn muốn và nhả cần khóa.
  4. Xoay đế xoay ở góc dừng mà bạn muốn cho đến khi được cố định.
  5. Siết chặt tay cầm.
- ▶ **Hình26:** 1. Tay cầm 2. Cần khóa 3. Góc dừng theo chiều thuận

**LƯU Ý:** Để thả đế xoay tự do từ chức năng dừng theo chiều thuận, nhấn cần nhả xuống. Có thể di chuyển đế xoay tự do mà không cần giữ cần khóa. Xoay tay cầm để xoay đế xoay đến góc mà bạn muốn, sau đó siết chặt tay cầm.

▶ **Hình27:** 1. Cần nhả

## Điều chỉnh góc xiên

**⚠ THẬN TRỌNG:** Sau khi thay đổi góc xiên, luôn giữ chặt tay gạt bằng cách siết chặt núm trên cực trượt theo chiều kim đồng hồ.

**CHÚ Ý:** Luôn tháo thanh dẫn trên và bàn kẹp đứng trước khi điều chỉnh góc xiên.

**CHÚ Ý:** Khi nghiêng lưỡi cưa đĩa, đảm bảo bàn trượt được nâng lên hoàn toàn.

**CHÚ Ý:** Khi thay đổi góc xiên, hãy chắc chắn rằng bạn đã đặt lại vị trí cho rãnh cưa đúng như diễn giải trong phần định vị rãnh cưa.

**CHÚ Ý:** Không được vận núm trên cực trượt quá chặt. Làm như vậy có thể gây trục trặc cho cơ chế khóa của góc xiên.

## Nghiêng lưỡi cưa đĩa sang trái

1. Vận núm trên cực trượt theo chiều kim đồng hồ.

▶ **Hình28:** 1. Núm

2. Kéo và vận chốt đòn bẩy đến vị trí như hình minh họa.

▶ **Hình29:** 1. Chốt đòn bẩy

3. Giữ tay cầm và nghiêng bàn trượt sang trái.
  4. Căn chỉnh kim chỉ đến góc mà bạn mong muốn trên thang đo góc xiên.
  5. Vận chặt núm theo chiều kim đồng hồ để cố định tay gạt bàn trượt.
- ▶ **Hình30:** 1. Núm 2. Tay cầm 3. Kim chỉ 4. Thang đo góc xiên

## Nghiêng lưỡi cưa đĩa sang phải

1. Xoay núm trên cực trượt ngược chiều kim đồng hồ.
  2. Giữ tay cầm và nghiêng bàn trượt sang trái một chút.
  3. Nghiêng bàn trượt sang phải trong khi nhấn nút nhà đối với góc xiên cạnh bên phải.
  4. Căn chỉnh kim chỉ đến góc mà bạn mong muốn trên thang đo góc xiên.
  5. Vặn chặt núm theo chiều kim đồng hồ để cố định tay gạt bàn trượt.
- **Hình31:** 1. Núm 2. Tay cầm 3. Nút nhà đối với góc xiên cạnh bên phải 4. Thang đo góc xiên

## Nghiêng lưỡi cưa đĩa bằng chức năng dừng theo chiều thuận

Máy cưa đa góc để bàn hoạt động bằng động cơ điện này cho phép sử dụng chức năng dừng theo chiều thuận. Bạn có thể đặt góc 22,5° và 33,9° cho cả bên phải và trái một cách nhanh chóng.

1. Xoay núm trên cực trượt ngược chiều kim đồng hồ.
  2. Nghiêng bàn trượt gần đến góc dừng theo chiều thuận mà bạn muốn trong khi nâng chốt đòn bẩy.
  3. Cài đặt chốt đòn bẩy theo chiều ngang.
  4. Nghiêng bàn trượt ở góc dừng theo chiều thuận mà bạn muốn cho đến khi bàn trượt được cố định.
  5. Để thay đổi góc, kéo chốt đòn bẩy về phía trước của dụng cụ, sau đó nghiêng lại bàn trượt.
  6. Vặn chặt núm theo chiều kim đồng hồ để cố định tay gạt bàn trượt.
- **Hình32:** 1. Núm 2. Chốt đòn bẩy

## Nghiêng lưỡi cưa đĩa vượt ra ngoài phạm vi 0° - 45°

1. Xoay núm trên cực trượt ngược chiều kim đồng hồ.
  2. Giữ tay cầm và nghiêng bàn trượt qua 45° sang trái hoặc phải.
  3. Kéo bàn trượt ngược lại một chút và trượt cần nhà cho góc xiên 48° về phía trước dụng cụ.
  4. Nghiêng bàn trượt thêm sang trái hoặc phải trong khi giữ cần nhà ra.
  5. Vặn chặt núm theo chiều kim đồng hồ để cố định tay gạt bàn trượt.
- **Hình33:** 1. Núm 2. Tay cầm 3. Cần nhà cho góc xiên 48°

## Hoạt động công tắc

**⚠ CẢNH BÁO:** Trước khi lắp (các) hộp pin vào dụng cụ, luôn kiểm tra xem cần khởi động công tắc có hoạt động bình thường hay không và trả về vị trí “TẮT” khi nhả ra. Không được kéo mạnh cần khởi động công tắc mà không nhấn nút nhà khóa. Điều này có thể làm hỏng công tắc. Vận hành dụng cụ khi công tắc không khởi động đúng có thể dẫn đến mất điều khiển và thương tích cá nhân nghiêm trọng.

**⚠ CẢNH BÁO: KHÔNG ĐƯỢC PHÉP** sử dụng dụng cụ không có cần khởi động công tắc hoạt động hoàn toàn. Bất kỳ dụng cụ nào có công tắc không làm việc là RẤT NGUY HIỂM và phải được sửa chữa trước khi tiếp tục sử dụng, nếu không, có thể xảy ra thương tích cá nhân nghiêm trọng.

**⚠ CẢNH BÁO: KHÔNG ĐƯỢC PHÉP** làm hỏng nút nhà khóa bằng cách bước xuống hoặc sử dụng số cách khác. Một nút nhà khóa không hiệu quả có thể dẫn đến vận hành vô tình và thương tích cá nhân nghiêm trọng.

**⚠ CẢNH BÁO: KHÔNG ĐƯỢC PHÉP** sử dụng dụng cụ này nếu nó chạy khi bạn chỉ kéo cần khởi động công tắc mà không nhấn nút nhà khóa. Một công tắc cần sửa có thể dẫn đến vận hành vô tình và thương tích cá nhân nghiêm trọng. Hãy trả dụng cụ lại cho một trung tâm dịch vụ Makita để sửa chữa phù hợp TRƯỚC KHI sử dụng tiếp sau này.

- **Hình34:** 1. Cần khởi động công tắc 2. Nút nhà khóa 3. Lỗ cho khóa móc

Để ngăn ngừa vô tình kéo cần khởi động công tắc, dụng cụ được trang bị một nút nhà khóa. Để khởi động dụng cụ, ấn nút nhà khóa và kéo cần khởi động công tắc. Nhà cần khởi động công tắc ra để dừng. Một lỗ có sẵn trong cần khởi động công tắc để chèn khóa móc để khóa dụng cụ.

**⚠ CẢNH BÁO:** Không sử dụng khóa có chuỗi hay cáp có đường kính nhỏ hơn 6,35 mm. Chuỗi hoặc cáp nhỏ hơn có thể không khóa dụng cụ đúng ở vị trí tắt và vận hành vô tình có thể xảy ra dẫn đến thương tích cá nhân nghiêm trọng.

## Chiếu sáng đường cắt

**⚠ THẬN TRỌNG:** Đèn không chống thấm nước mưa. Không rửa đèn bằng nước hoặc sử dụng dưới trời mưa hay khu vực ẩm ướt. Làm như thế có thể gây ra điện giật và bốc khói.

**⚠ THẬN TRỌNG:** Không chạm vào kính đèn vì nó có thể rất nóng khi đang bật hoặc sau khi tắt một thời gian ngắn. Điều này có thể gây bỏng.

**⚠ THẬN TRỌNG:** Không tác động lên đèn vì có thể làm hư hỏng hoặc giảm tuổi thọ đèn.

**⚠ THẬN TRỌNG:** Đừng nhìn thẳng trực tiếp vào đèn hoặc nguồn sáng.



Đèn LED chiếu ánh sáng lên lưỡi cưa đĩa và bóng của lưỡi cưa chiếu lên phôi gia công đóng vai trò như đèn chỉ báo đường cắt không hiệu chuẩn. Nhấn nút đèn để chiếu sáng. Một đường xuất hiện nơi lưỡi cưa sẽ tiếp xúc với bề mặt phôi gia công, trở nên sâu hơn khi lưỡi cưa hạ xuống.

► **Hình35:** 1. Nút đèn 2. Đèn 3. Đường cắt

Chỉ báo giúp cắt qua đường cắt có sẵn được vẽ bằng bút chỉ trên phôi gia công.

1. Giữ tay cầm và hạ thấp lưỡi cưa đĩa để phân chiếu bóng dày của lưỡi cưa vào phôi gia công.
2. Căn chỉnh đường cắt được vẽ trên phôi gia công với đường cắt được soi bóng.
3. Điều chỉnh góc vát và góc xiên nếu cần.

**LƯU Ý:** Đảm bảo tắt công tắc đèn sau khi sử dụng vì bật đèn sẽ tiêu hao năng lượng pin.

**LƯU Ý:** Đèn sẽ tự động tắt 5 phút sau khi bạn ngừng vận hành.

## Chức năng điện tử

### Phanh điện tử

Dụng cụ này được trang bị một phanh cánh quạt điện tử. Nếu dụng cụ liên tục không thể dừng nhanh hoạt động sau khi nhà cần khởi động công tắc, hãy đem dụng cụ đến trung tâm dịch vụ của Makita.

**⚠ THẬN TRỌNG:** Hệ thống phanh cánh quạt không thay thế cho phần bảo vệ lưỡi cưa. Tuyệt đối không sử dụng dụng cụ mà không có phần chắn có chức năng bảo vệ lưỡi cưa. Lưỡi cưa không được bảo vệ có thể gây thương tích cá nhân nghiêm trọng.

### Điều khiển tốc độ không đổi

Dụng cụ được cung cấp kèm với một bộ điều khiển tốc độ điện tử giúp duy trì tốc độ quay của lưỡi cưa không đổi ngay cả trong trường hợp dưới tải. Tốc độ quay không đổi của lưỡi cưa sẽ làm cho vết cắt rất mịn.

### Tính năng khởi động mềm

Chức năng này cho phép khởi động dụng cụ mượt mà bằng cách hạn chế mô-men xoắn khi khởi động.

## LẮP RÁP

**⚠ CẢNH BÁO:** Luôn đảm bảo rằng đã tắt dụng cụ và tháo hộp pin ra trước khi thực hiện trên dụng cụ. Không tắt hoặc tháo hộp pin có thể dẫn đến các thương tích cá nhân nghiêm trọng.

### Cắt giữ cờ lê sáu cạnh

Khi không sử dụng, cắt giữ cờ lê sáu cạnh như được minh họa trong hình để tránh làm mất.

► **Hình36:** 1. Cờ lê sáu cạnh

## Tháo và lắp lưỡi cưa

**⚠ CẢNH BÁO:** Luôn đảm bảo rằng đã tắt dụng cụ và tháo hộp pin ra trước khi tháo và lắp lưỡi cưa đĩa. Vô tình khởi động dụng cụ có thể dẫn đến thương tích cá nhân nghiêm trọng.

**⚠ CẢNH BÁO:** Chỉ sử dụng cờ lê của Makita đi kèm để tháo và lắp lưỡi cưa đĩa. Không sử dụng cờ lê có thể khiến cho bu-lông đầu lỗ lục giác bị siết quá chặt hoặc siết không đủ chặt và gây thương tích cá nhân nghiêm trọng.

**⚠ CẢNH BÁO:** Không bao giờ sử dụng hoặc thay thế các bộ phận không được cung cấp kèm với dụng cụ này. Sử dụng các bộ phận đó có thể gây thương tích cá nhân nghiêm trọng.

**⚠ CẢNH BÁO:** Sau khi lắp lưỡi cưa đĩa, luôn phải đảm bảo rằng lưỡi cưa đã được lắp chặt vào. Nới lỏng phụ tùng của lưỡi cưa đĩa có thể gây ra thương tích cá nhân nghiêm trọng.

## Tháo lưỡi cưa

Để tháo lưỡi cưa đĩa, hãy thực hiện các bước sau:

1. Khóa bàn trượt ở vị trí nâng lên bằng cách kéo vào xoay chốt chặn ở vị trí khóa.  
► **Hình37:** 1. Chốt chặn 2. Vị trí mở khóa 3. Vị trí khóa
2. Sử dụng cờ lê lục giác để nới lỏng bu-lông lục giác giữ lớp vỏ bảo vệ trung tâm. Sau đó, nâng phần bảo vệ lưỡi cưa và lớp vỏ bảo vệ trung tâm.  
► **Hình38:** 1. Cờ lê sáu cạnh 2. Bu-lông lục giác 3. Lớp vỏ bảo vệ trung tâm 4. Phần bảo vệ lưỡi cưa
3. Nhấn khóa trục để khóa trục quay và dùng cờ lê lục giác để nới lỏng bu-lông đầu lỗ lục giác theo chiều kim đồng hồ. Sau đó tháo bu-lông đầu lỗ lục giác, vành ngoài và lưỡi cưa đĩa.  
► **Hình39:** 1. Bu-lông đầu ống sáu cạnh (bên trái) 2. Vành ngoài 3. Khóa trục
4. Nếu vành trong bị tháo ra, hãy lắp vành trong lên trục quay với mặt lõm hướng vào lưỡi cưa đĩa. Nếu lắp vành không đúng cách, vành sẽ cọ xát vào máy.  
► **Hình40:** 1. Bu-lông đầu ống sáu cạnh (bên trái) 2. Vành ngoài 3. Lưỡi cưa đĩa 4. Vòng 5. Vành trong 6. Trục quay 7. Mặt lõm

## Lắp lưỡi cưa

**⚠ CẢNH BÁO:** Trước khi gắn lưỡi cưa lên trục quay, phải luôn chắc chắn rằng đã lắp đặt đúng vòng cho lỗ tâm của lưỡi cưa mà bạn định dùng lên trên giữa vành trong và vành ngoài. Sử dụng vòng lỗ tâm không đúng có thể dẫn đến gắn lưỡi cưa không đúng cách, gây ra dịch chuyển lưỡi và rung động nặng dẫn đến có thể mất kiểm soát trong suốt quá trình vận hành và gây thương tích cá nhân nghiêm trọng.



**⚠ THẬN TRỌNG:** Đảm bảo lắp lưới cửa đĩa sao cho hướng của mũi tên trên lưới cửa khớp với hướng của mũi tên trên vỏ che lưới cửa. Không làm như vậy có thể gây thương tích cá nhân và làm hỏng dụng cụ và/hoặc phối gia công.

Để lắp lưới cửa đĩa, hãy thực hiện các bước sau:

1. Gắn lưới cửa đĩa cẩn thận vào vành trong. Đảm bảo rằng hướng mũi tên trên bề mặt của lưới cửa đĩa khớp với hướng mũi tên trên vỏ che lưới cửa.  
▶ **Hình41:** 1. Mũi tên trên vỏ che lưới cửa 2. Mũi tên trên lưới cửa đĩa
2. Lắp đặt vành ngoài và bu-lông đầu lỗ lục giác, sau đó dùng cờ lê lục giác để vận bu-lông đầu lỗ lục giác thật chặt ngược chiều kim đồng hồ trong khi nhấn vào khóa trục.  
▶ **Hình42:** 1. Bu-lông đầu lỗ lục giác (bên trái) 2. Vành ngoài 3. Lưới cửa đĩa 4. Vòng 5. Vành trong 6. Trụ quay 7. Mặt lõm
3. Trả lại phần bảo vệ lưới cửa và lớp vỏ bảo vệ trung tâm về vị trí ban đầu. Sau đó vận chặt bu-lông lục giác theo chiều kim đồng hồ để giữ chặt lớp vỏ bảo vệ trung tâm.
4. Kéo và xoay chốt chặn ở vị trí mở khóa để nhà bàn trượt từ vị trí nâng lên. Hạ thấp bàn trượt và kiểm tra để đảm bảo phần bảo vệ lưới cửa dịch chuyển bình thường.

**⚠ THẬN TRỌNG:** Đảm bảo rằng khóa trục đã nhà trụ quay ra trước khi tiến hành cắt.

## Kết nối máy hút bụi

Khi bạn muốn thực hiện thao tác cắt sạch, hãy kết nối máy hút bụi Makita với vòi xả bụi (cổng xả bụi phía trên) bằng vòng bít 24 phía trước (phụ kiện tùy chọn).

- ▶ **Hình43:** 1. Vòng bít 24 phía trước 2. Ống dẫn 3. Máy hút bụi

## Túi đựng mặt cưa

**⚠ THẬN TRỌNG:** Khi thực hiện cắt, luôn gắn túi chứa bụi hoặc kết nối máy hút bụi để tránh các mối nguy liên quan đến bụi.

Sử dụng túi chứa bụi giúp cho các thao tác cắt được sạch sẽ và dễ dàng thu gom bụi. Để gắn túi chứa bụi, tháo ống xử lý bụi khỏi dụng cụ và nối túi chứa bụi vào vòi xả bụi (cổng xả bụi phía trên).

- ▶ **Hình44:** 1. Ống xử lý bụi 2. Túi chứa bụi 3. Vòi xả bụi (cổng xả bụi phía trên)

Khi túi chứa bụi đã đầy khoảng một nửa, hãy tháo túi chứa bụi ra khỏi dụng cụ và kéo bộ phận kẹp ra. Để toàn bộ phần bên trong túi chứa bụi, vỗ nhẹ để loại bỏ các hạt dính vào mặt trong túi mà có thể làm vướng việc thu gom sau này.

- ▶ **Hình45:** 1. Bộ phận kẹp

## Cố định phối gia công

**⚠ CẢNH BÁO:** Điều vô cùng quan trọng là phải luôn cố định phối gia công đúng cách bằng kiểu bàn kẹp phù hợp hoặc thanh chặn đường gờ bao quanh. Không làm như vậy có thể gây thương tích cá nhân nghiêm trọng và làm hỏng dụng cụ và/hoặc phối gia công.

**⚠ CẢNH BÁO:** Khi cắt phối gia công dài hơn để đỡ máy cưa đa góc, nên đỡ toàn bộ chiều dài của vật liệu trên để đỡ vật liệu thẳng bằng. Đỡ phối gia công hợp lý sẽ giúp tránh lưới cửa bị kẹp và có thể bị đẩy ngược lại, gây thương tích cá nhân nghiêm trọng. Không được chỉ dựa vào bàn kẹp đứng và/hoặc bàn kẹp ngang để cố định phối gia công. Vật liệu mỏng thường võng xuống. Đỡ phối gia công trên toàn bộ chiều dài để tránh lưới cửa bị kẹp và có thể bị ĐÁY NGƯỢC LẠI.

- ▶ **Hình46:** 1. Giá đỡ 2. Đỡ xoay

## Thanh dẫn

**⚠ CẢNH BÁO:** Trước khi vận hành dụng cụ, hãy đảm bảo rằng thanh chắn trên được cố định chắc chắn.

**⚠ CẢNH BÁO:** Trước khi cắt góc xiên, hãy đảm bảo rằng không phần nào của dụng cụ, đặc biệt là lưới cửa tiếp xúc với thanh chắn trên và dưới, khi hạ xuống và nâng lên tay cầm hết mức ở bất kỳ vị trí nào và khi di chuyển bàn trượt qua hết đường đi của nó. Nếu dụng cụ hoặc lưới cửa tiếp xúc với tấm chắn, điều này có thể gây ra hiện tượng bật ngược hoặc chuyển động không mong muốn của vật liệu và gây chấn thương cá nhân.

Sử dụng tấm chắn trên để đỡ vật liệu cao hơn tấm chắn dưới. Lắp tấm chắn trên vào trong lỗ trên tấm chắn dưới và vận chặt vít kẹp.

- ▶ **Hình47:** 1. Tấm chắn trên 2. Tấm chắn dưới 3. Ốc xiết 4. Vít điều chỉnh

**CHÚ Ý:** Tấm chắn dưới được gắn cố định vào đế tại nhà máy sản xuất. Không được tháo bỏ tấm chắn dưới.

**CHÚ Ý:** Nếu tấm chắn trên vẫn bị lỏng sau khi đã vận chặt vít kẹp, vận vít điều chỉnh để thu khoảng cách. Vít điều chỉnh được điều chỉnh tại nhà máy sản xuất. Bạn không cần phải sử dụng nó, trừ khi cần thiết.

Khi không sử dụng thanh dẫn trên, bạn có thể lưu trữ vào ống bệ phụ. Sử dụng kẹp trên tấm chắn trên để giữ nó trên ống bệ phụ.

- ▶ **Hình48:** 1. Bệ phụ 2. Tấm chắn trên 3. Kẹp

## Bàn kẹp đứng

**⚠ CẢNH BÁO:** Phôi gia công phải được cố định chắc chắn vào đế xoay và thanh dẫn với bàn kẹp trong toàn bộ quá trình vận hành. Nếu phôi gia công không được cố định chính xác vào thanh chắn, vật liệu có thể xê dịch trong quá trình cắt gây nguy cơ hỏng lưỡi cưa, làm vật liệu bị văng ra và mất kiểm soát dẫn đến chấn thương cá nhân nghiêm trọng.

Bàn kẹp đứng có thể được lắp vào bên trái hoặc bên phải của đế. Lắp thanh kẹp vào lỗ trong đế hoặc bề phụ.

► **Hình49:** 1. Bàn kẹp đứng 2. Lỗ của bàn kẹp đứng 3. Bề phụ 4. Đế

► **Hình50:** 1. Tay kẹp 2. Thanh kẹp 3. Ốc xiết 4. Núm kẹp

Định vị tay kẹp theo chiều dày và hình dạng phôi gia công và cố định tay kẹp bằng cách siết chặt vít. Nếu vít kẹp tiếp xúc với bàn trượt, hãy lắp bàn kẹp đứng vào bề phụ hoặc vào phía đối diện với đế. Đảm bảo rằng không có bộ phận nào của dụng cụ tiếp xúc với mô cạp khi hạ thấp tay cầm hết mức. Nếu có một vài bộ phận tiếp xúc với mô cạp, hãy định vị lại mô cạp.

Ấn phôi gia công ngang bằng với tấm chắn dẫn hướng và đế xoay. Định vị phôi gia công ở vị trí cắt mong muốn và cố định nó thật chắc bằng cách siết chặt núm kẹp.

**LƯU Ý:** Để thiết lập nhanh phôi gia công, vận núm kẹp xoay 90° ngược chiều kim đồng hồ cho phép núm kẹp di chuyển lên và xuống. Để cố định phôi sau khi thiết lập, vận núm kẹp theo chiều kim đồng hồ.

## Bàn kẹp ngang

### Phụ kiện tùy chọn

**⚠ CẢNH BÁO:** Luôn xoay đai ốc kẹp theo chiều kim đồng hồ cho đến khi phôi gia công được cố định chính xác. Nếu phôi gia công không được cố định chính xác, vật liệu có thể xê dịch trong quá trình cắt gây nguy cơ hỏng lưỡi cưa đĩa, làm vật liệu bị văng ra và mất kiểm soát dẫn đến thương tích cá nhân nghiêm trọng.

**⚠ CẢNH BÁO:** Khi cắt phôi gia công mỏng, ví dụ như bàn đế, áp sát phôi về phía tấm chắn, luôn sử dụng bàn kẹp ngang.

**⚠ THẬN TRỌNG:** Khi cắt vật gia công có độ dày 20 mm hoặc mỏng hơn, phải đảm bảo dùng một khối đế chặn để cố định vật gia công.

Bàn kẹp ngang có thể được lắp bên trái hoặc bên phải của đế. Khi thực hiện cắt vát góc 22,5° trở lên, lắp bàn kẹp ngang ở phía đối diện với hướng mà đế xoay được xoay.

► **Hình51:** 1. Tấm dụng cụ kẹp 2. Đai ốc kẹp 3. Núm kẹp

Bằng cách lật đai ốc kẹp ngược chiều kim đồng hồ, bàn kẹp sẽ được nhả, và nhanh chóng di chuyển vào và ra. Để kẹp chặt phôi gia công, đẩy núm kẹp về trước cho đến khi tấm dụng cụ kẹp tiếp xúc với phôi gia công và lật đai ốc theo chiều kim đồng hồ. Sau đó vận núm kẹp theo chiều kim đồng hồ.

**LƯU Ý:** Chiều rộng tối đa của phôi gia công có thể cố định bằng bàn kẹp ngang là 228 mm.

## Bộ phụ

**⚠ CẢNH BÁO:** Luôn đỡ phôi gia công dài để nó nằm ngang với mặt cao nhất của đế xoay để cắt chính xác và tránh mất điều khiển dụng cụ nguy hiểm. Giá đỡ phôi gia công hợp lý sẽ giúp tránh lưỡi cưa bị kẹp và có thể bị đẩy ngược lại, gây chấn thương cá nhân nghiêm trọng.

**⚠ CẢNH BÁO:** Trước khi thực hiện thao tác cắt, luôn đảm bảo rằng các bộ phụ đã được cố định lại bằng các vít.

Để giữ phôi gia công dài theo chiều ngang, bộ phụ được gắn trên cả hai bên dụng cụ. Nới lỏng vít và mở rộng bộ phụ đến chiều dài thích hợp để giữ phôi gia công. Sau đó vận chặt các vít.

► **Hình52:** 1. Bộ phụ 2. Vít

Khi cắt, đặt vật gia công ngang bằng với thanh dẫn và thanh đỡ phụ trên bề phụ.

► **Hình53:** 1. Thanh dẫn 2. Thanh đỡ phụ 3. Bộ phụ

## VẬN HÀNH

Dụng cụ này được dùng để các sản phẩm bằng gỗ. Với lưỡi cưa chính hãng Makita phù hợp, cũng có thể cưa được các vật liệu sau đây:

— Sản phẩm bằng nhôm

Tham khảo trang web của chúng tôi hoặc liên hệ với đại lý Makita tại địa phương của bạn để biết lưỡi cưa đĩa chính xác được sử dụng cho vật liệu cần cắt.

**⚠ CẢNH BÁO:** Phải đảm bảo lưỡi cưa không tiếp xúc với phôi gia công, v.v... trước khi bật công tắc lên. Bật dụng cụ khi lưỡi cưa tiếp xúc với phôi gia công có thể bị đẩy ngược lại và gây thương tích nghiêm trọng.

**⚠ CẢNH BÁO:** Sau một thao tác cắt, không được nâng lưỡi cưa lên cho đến khi dừng hẳn. Nâng lưỡi cưa đang đi xuống có thể gây thương tích cá nhân nghiêm trọng và phá hỏng phôi gia công.

**⚠ CẢNH BÁO:** Không thực hiện bất kỳ điều chỉnh như vận tay cầm, núm và cần trên dụng cụ khi lưỡi cưa đang quay. Điều chỉnh trong khi lưỡi cưa đang quay có thể gây ra chấn thương cá nhân nghiêm trọng.

**CHÚ Ý:** Trước khi sử dụng, hãy đảm bảo đã mở khóa chốt chặn và nhà tay cầm ra khỏi vị trí hạ xuống.

**CHÚ Ý:** Không dùng lực quá nhiều trên tay cầm khi cắt. Dùng lực quá nhiều có thể dẫn đến quá tải động cơ và/hoặc giảm hiệu quả cắt. Ấn tay cầm xuống chỉ với lực cần thiết để thao tác cắt trôi chảy và không làm suy giảm đáng kể tốc độ lưỡi cưa.

**CHÚ Ý:** Nhẹ nhàng ấn tay cầm xuống để thực hiện thao tác cắt. Nếu ấn tay cầm xuống bằng lực hoặc nếu dùng lực ngang, lưỡi cưa có thể rung giật và để lại dấu (dấu cưa) trên phôi gia công và độ chính xác của vết cắt có thể bị ảnh hưởng.

**CHÚ Ý:** Trong khi cắt trượt, đẩy nhẹ bàn trượt về phía thanh dẫn và không dừng lại. Nếu chuyển động của bàn trượt ngừng lại trong khi đang cắt, phôi gia công sẽ có vết và việc cắt có thể bị giảm độ chính xác.

## Cắt ép xuống

**⚠ CẢNH BÁO:** Luôn khóa chuyển động trượt của bàn trượt khi thực hiện cắt ép xuống. Cắt khi không khóa có thể gây ra hiện tượng bật ngược trở lại dẫn đến chấn thương cá nhân nghiêm trọng.

Phôi gia công có chiều cao tối đa 92 mm và chiều rộng 183 mm có thể được cắt theo cách sau.

► **Hình 54:** 1. Chốt chặn

1. Đẩy bàn trượt về phía thanh dẫn cho đến khi nó dừng lại và khóa nó bằng chốt chặn.
2. Cố định phôi gia công bằng bàn kẹp phù hợp.
3. Bật dụng cụ lên mà không để lưỡi cưa đĩa bị tiếp xúc và đợi đến khi lưỡi cưa đĩa đạt tốc độ đầy đủ trước khi hạ xuống.
4. Nhẹ nhàng hạ thấp tay cầm xuống hết mức để cắt phôi gia công.
5. Sau khi cắt xong, hãy tắt dụng cụ và chờ đến khi lưỡi cưa đĩa dừng hoàn toàn trước khi đưa lưỡi cưa đĩa trở lại vị trí nâng cao hết mức của nó.

## Cắt trượt (đẩy) xuống (cắt phôi gia công rộng)

**⚠ CẢNH BÁO:** Bất cứ khi nào thực hiện cắt trượt, trước tiên phải đẩy hoàn toàn bàn trượt về phía mình và ấn tay cầm xuống hoàn toàn, rồi đẩy bàn trượt về phía tấm chắn dẫn hướng. Không bắt đầu việc cắt khi bàn trượt không được kéo hoàn toàn về phía bạn. Nếu bạn thực hiện việc cắt trượt khi chưa kéo bàn trượt hoàn toàn về phía mình, bàn trượt có thể bị đẩy ngược trở lại không mong muốn và gây ra thương tích cá nhân nghiêm trọng.

**⚠ CẢNH BÁO:** Không cố thực hiện cắt trượt bằng cách kéo bàn trượt về phía bạn. Kéo bàn trượt về phía bạn trong khi cắt có thể khiến bàn trượt bị đẩy ngược trở lại không mong muốn gây ra thương tích cá nhân nghiêm trọng.

**⚠ CẢNH BÁO:** Không được phép thực hiện cắt trượt khi tay cầm đã khóa ở vị trí thấp.

► **Hình 55:** 1. Chốt chặn

1. Mở khóa chốt chặn để bàn trượt có thể trượt tự do.
2. Cố định phôi gia công bằng bàn kẹp phù hợp.
3. Kéo hoàn toàn bàn trượt về phía bạn.
4. Bật dụng cụ lên mà không để lưỡi cưa bị tiếp xúc và đợi đến khi lưỡi cưa đạt tốc độ đầy đủ.
5. Ấn tay cầm xuống và đẩy bàn trượt về phía tấm chắn dẫn hướng và qua phôi gia công.
6. Sau khi cắt xong, hãy tắt dụng cụ và chờ đến khi lưỡi cưa dừng hoàn toàn trước khi đưa lưỡi cưa trở lại vị trí nâng cao hết mức của nó.

## Cắt vát góc

Tham khảo phần điều chỉnh góc vát.

## Cắt xiên góc

**⚠ CẢNH BÁO:** Sau khi thiết đặt lưỡi cưa cho cắt xiên góc, hãy chắc chắn rằng bàn trượt và lưỡi cưa có thể di chuyển tự do theo suốt chiều dài của đường định cắt trước khi vận hành dụng cụ. Nếu bị vướng khi đang di chuyển trong lúc cắt, bàn trượt hoặc lưỡi cưa có thể bị đẩy ngược lại và gây ra thương tích cá nhân nghiêm trọng.

**⚠ CẢNH BÁO:** Trong khi thực hiện cắt xiên góc không để tay trên đường tiến của lưỡi cưa. Góc của lưỡi cưa có thể làm cho người vận hành nhầm lẫn với đường tiến của lưỡi cưa khi cắt và tiếp xúc với lưỡi cưa sẽ gây ra thương tích nghiêm trọng.

**⚠ CẢNH BÁO:** Không nên nâng lưỡi cưa lên cho đến khi đã dừng lại hoàn toàn. Trong khi cắt xiên góc, phần phôi bị cắt có thể bị lưỡi cưa đẩy văng ra. Nếu lưỡi cưa được nâng lên khi đang quay, phần phôi cắt có thể bị lưỡi cưa đẩy văng ra, làm cho phôi bị vỡ gây ra thương tích cá nhân nghiêm trọng.

**CHÚ Ý:** Khi ấn tay cầm xuống, hãy tác dụng lực song song với lưỡi cưa. Nếu tác dụng lực vuông góc với đế xoay hoặc nếu thay đổi hướng của lực khi cắt, độ chính xác của vết cắt sẽ bị giảm.

► **Hình 56**

1. Tháo thanh chắn trên ở bên mà bạn sẽ nghiêng bàn trượt.
2. Mở khóa chốt chặn.
3. Điều chỉnh góc xiên theo quy trình được diễn giải trong phần điều chỉnh góc xiên. Sau đó siết chặt núm.
4. Cố định phôi gia công bằng bàn kẹp.
5. Kéo hoàn toàn bàn trượt về phía bạn.
6. Bật dụng cụ lên mà không để lưỡi cưa bị tiếp xúc và đợi đến khi lưỡi cưa đạt tốc độ đầy đủ.
7. Nhẹ nhàng hạ thấp đến vị trí thấp hết mức trong khi tác dụng lực song song với lưỡi cưa và đẩy bàn trượt về phía tấm chắn dẫn hướng để cắt phôi gia công.
8. Sau khi cắt xong, hãy tắt dụng cụ và chờ đến khi lưỡi cưa dừng hoàn toàn trước khi đưa lưỡi cưa trở lại vị trí nâng cao hết mức của nó.

## Cắt hỗn hợp

Cắt hỗn hợp là quá trình mà trong đó góc xiên được thực hiện cùng một lúc trong khi đang cắt góc vát trên phôi gia công. Có thể thực hiện việc cắt hỗn hợp theo góc đã thể hiện trong bảng.

Góc vát chéo	Góc xiên
Trái và Phải 0° - 45°	Trái và Phải 0° - 45°

Khi thực hiện cắt hỗn hợp, hãy tham khảo phần cắt ép xuống, cắt trượt (đẩy) xuống, cắt vát góc và cắt xiên góc.

## Cắt các bàn đế

**⚠ THẬN TRỌNG:** Phải đảm bảo dùng bàn kẹp ngang (phụ kiện tùy chọn) khi cắt bàn đế.

**⚠ THẬN TRỌNG:** Khi cắt vật gia công có độ dày 20 mm hoặc mỏng hơn, phải đảm bảo dùng một khối đế chặn để cố định vật gia công.

Khi cắt bàn đế ở góc vát 45°, gài cần chặn để ngăn vỏ che lưỡi cưa tiếp xúc với bàn đế. Việc này sẽ giữ khoảng trống giữa bàn đế và vỏ che lưỡi cưa khi bàn trượt được đẩy hoàn toàn về phía trước. Tham khảo THÔNG SỐ KỸ THUẬT về công suất cắt bàn đế.

► **Hình57:** 1. Cần chặn 2. Khối đế chặn 3. Bàn kẹp ngang

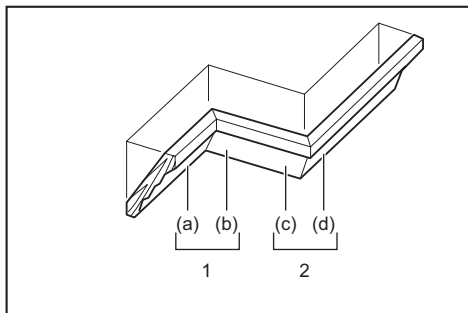
## Cắt đường gờ bao quanh và đường gờ vòm

Có thể cắt đường gờ bao quanh và đường gờ vòm trên máy cưa chéo phức hợp với các đường gờ có mặt phẳng đặt trên để xoay.

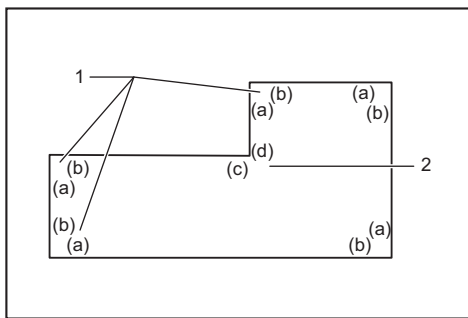
Có hai loại đường gờ bao quanh phổ biến và một loại đường gờ vòm; đường gờ bao quanh góc tường 52/38°, đường gờ bao quanh góc tường 45° và đường gờ vòm góc tường 45°.

► **Hình58:** 1. đường gờ bao quanh góc tường loại 52/38° 2. đường gờ bao quanh góc tường loại 45° 3. đường gờ vòm góc tường loại 45°

Có các phần nổi đường gờ bao quanh và đường gờ vòm được tạo ra để khớp với các góc 90° "Bên trong" (a) và (b) trong hình) và các góc 90° "Bên ngoài" ((c) và (d) trong hình).



1. Góc bên trong 2. Góc bên ngoài



1. Góc bên trong 2. Góc bên ngoài

## Đo đạc

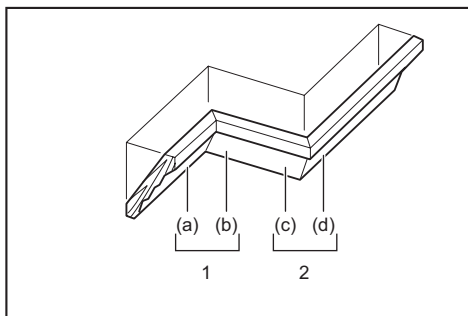
Đo chiều rộng của vách ngăn, và điều chỉnh phôi gia công theo chiều rộng của vách ngăn. Luôn đảm bảo rằng chiều rộng của vách ngăn tiếp xúc với rãnh của phôi gia công phải có cùng một độ dài.

► **Hình59:** 1. Phôi gia công 2. Độ rộng của vách ngăn 3. Độ rộng của phôi gia công 4. Vách ngăn tiếp xúc cạnh

Luôn sử dụng nhiều miếng cắt thử khác nhau để kiểm tra các góc của máy cưa.

Khi cắt đường gờ bao quanh và đường gờ vòm, phải thiết đặt góc xiên và góc vát chéo như được thể hiện trong bảng (A) và đặt vị trí các đường gờ trên bề mặt trên cùng của bề cắt như được thể hiện trong bảng (B).

## Trường hợp cắt nghiêng sang trái



1. Góc bên trong 2. Góc bên ngoài

## Bảng (A)

-	Vị trí đường gờ trong hình	Góc xiên		Góc vát chéo	
		Loại 52/38°	Loại 45°	Loại 52/38°	Loại 45°
Đối với góc bên trong	(a)	33,9° sang Trái	30° sang Trái	31,6° sang Phải	35,3° sang Phải
	(b)			31,6° sang Trái	35,3° sang Trái
Đối với góc bên ngoài	(c)	33,9° sang Trái	30° sang Trái	31,6° sang Phải	35,3° sang Phải
	(d)			31,6° sang Phải	35,3° sang Phải

**Bảng (B)**

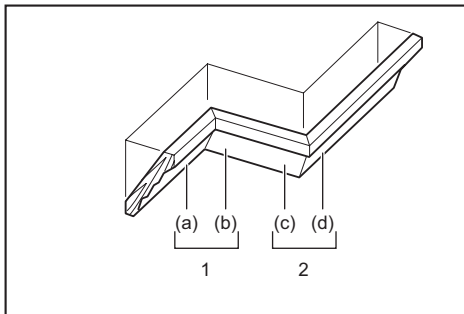
-	Vị trí đường gờ trong hình	Vị trí cạnh đường gờ dựa vào tấm chắn dẫn hướng	Mảnh đã hoàn tất
Đối với góc bên trong	(a)	Cạnh tiếp xúc với trần phải dựa vào tấm chắn dẫn hướng.	Mảnh đã hoàn tất sẽ nằm bên Trái của lưới cửa.
	(b)	Cạnh tiếp xúc với tường phải dựa vào tấm chắn dẫn hướng.	
Đối với góc bên ngoài	(c)	Cạnh tiếp xúc với trần phải dựa vào tấm chắn dẫn hướng.	Mảnh đã hoàn tất sẽ nằm bên Phải của lưới cửa.
	(d)	Cạnh tiếp xúc với tường phải dựa vào tấm chắn dẫn hướng.	

Ví dụ:

Trong trường hợp cắt đường bao quanh loại 52/38° cho vị trí (a) trong hình ở trên:

- Nghiêng và cố định thiết đặt góc xiên sang 33,9° BÊN TRÁI.
- Điều chỉnh và cố định thiết đặt góc vát chéo sang 31,6° BÊN PHẢI.
- Đặt đường gờ bao quanh với mặt sau rộng (ẩn) xuống để xoay và CẠNH TIẾP XÚC TRẦN dựa vào tấm chắn dẫn hướng trên máy cửa.
- Mảnh đã hoàn tất được sử dụng sẽ luôn nằm bên TRÁI của lưới cửa sau khi đã cắt xong.

## Trường hợp cắt xiên góc phải



1. Góc bên trong 2. Góc bên ngoài

**Bảng (A)**

-	Vị trí đường gờ trong hình	Góc xiên		Góc vát chéo	
		Loại 52/38°	Loại 45°	Loại 52/38°	Loại 45°
Đối với góc bên trong	(a)	33,9° sang Phải	30° sang Phải	31,6° sang Phải	35,3° sang Phải
	(b)			31,6° sang Trái	35,3° sang Trái
Đối với góc bên ngoài	(c)	33,9° sang Phải	30° sang Phải	31,6° sang Phải	35,3° sang Phải
	(d)			31,6° sang Phải	35,3° sang Phải

**Bảng (B)**

-	Vị trí đường gờ trong hình	Vị trí cạnh đường gờ dựa vào tấm chắn dẫn hướng	Mảnh đã hoàn tất
Đối với góc bên trong	(a)	Cạnh tiếp xúc với tường phải dựa vào thanh dẫn.	Mảnh đã hoàn tất sẽ nằm bên Phải của lưới cửa.
	(b)	Cạnh tiếp xúc với trần phải dựa vào thanh dẫn.	
Đối với góc bên ngoài	(c)	Cạnh tiếp xúc với trần phải dựa vào thanh dẫn.	Mảnh đã hoàn tất sẽ nằm bên Trái của lưới cửa.
	(d)	Cạnh tiếp xúc với tường phải dựa vào thanh dẫn.	

Ví dụ:

Trong trường hợp cắt đường bao quanh loại 52/38° cho vị trí (a) trong hình ở trên:

- Nghiêng và cố định thiết đặt góc xiên sang 33,9° BÊN PHẢI.
- Điều chỉnh và cố định thiết đặt góc vát chéo sang 31,6° BÊN PHẢI.
- Đặt đường gờ bao quanh với mặt sau rộng (ẩn) xuống để xoay và CẠNH TIẾP XÚC TƯỜNG dựa vào thanh dẫn trên máy cửa.
- Mảnh đã hoàn tất được sử dụng sẽ luôn nằm bên PHẢI của lưới cửa sau khi đã cắt xong.

## Thanh chặn đường gờ bao quanh góc

### Phụ kiện tùy chọn

Thanh chặn đường gờ bao quanh góc cho phép cắt đường gờ bao quanh góc dễ dàng hơn mà không cần nghiêng lưới cửa. Lắp chúng vào để xoay như trong hình.

#### Tại góc vát phải 45°

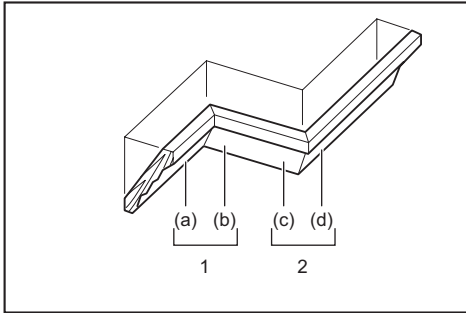
► **Hình60:** 1. Thanh chặn đường gờ bao quanh góc trái 2. Thanh chặn đường gờ bao quanh góc phải 3. Đế xoay 4. Thanh dẫn

#### Tại góc vát trái 45°

► **Hình61:** 1. Thanh chặn đường gờ bao quanh góc trái 2. Thanh chặn đường gờ bao quanh góc phải 3. Đế xoay 4. Thanh dẫn

Đặt đường gờ bao quanh góc với **CANH TIẾP XÚC TƯỜNG** về phía thanh dẫn và **CANH TIẾP XÚC TRẦN** của nó về phía thanh chặn đường gờ bao quanh góc như hình minh họa. Điều chỉnh thanh chặn đường gờ bao quanh góc theo kích thước của đường gờ bao quanh góc. Vặn chặt các vít để cố định thanh chặn đường gờ bao quanh góc. Tham khảo bảng (C) đối với góc vát.

► **Hình62:** 1. Thanh dẫn 2. Thanh chặn đường gờ bao quanh góc



1. Góc bên trong 2. Góc bên ngoài

### Bảng (C)

	Vị trí đường gờ trong hình	Góc vát	Mảnh đã hoàn tất
Đối với góc bên trong	(a)	45° sang Phải	Lưu lại bên phải của lưới cửa
	(b)	45° sang Trái	Lưu lại bên trái của lưới cửa
Đối với góc bên ngoài	(c)		Lưu lại bên phải của lưới cửa
	(d)	45° sang Phải	Lưu lại bên trái của lưới cửa

## Cắt phần đùn nhôm

► **Hình63:** 1. Mỏ cạy 2. Khối đế chặn 3. Thanh dẫn 4. Phần nhô bằng nhôm 5. Khối đế chặn

Khi giữ chặt phần đùn nhôm, hãy sử dụng các khối chặn hoặc mảnh phế liệu như thể hiện trong hình để ngăn ngừa nhôm biến dạng. Sử dụng dầu nhờn để cắt khi cắt phần đùn nhôm nhằm ngăn chặn vật liệu nhôm tích tụ trên lưới cửa đĩa.

**⚠ CẢNH BÁO:** Không bao giờ cố gắng cắt phần đùn nhôm dày hoặc có dạng tròn. Phần đùn nhôm dày hoặc có hình tròn khó có thể cố định và phôi có thể bị rơi lỏng khi thao tác cắt, có thể làm kiểm soát và gây chấn thương cá nhân nghiêm trọng.

## Kỹ Thuật Công Suất Cắt Có Chiều Rộng Tối Đa Đặc Biệt

Có thể đạt được công suất cắt chiều rộng tối đa bằng cách làm theo các bước dưới đây:

Về chiều rộng cắt tối đa của dụng cụ này, tham khảo khả năng cắt cho các kiểu cắt đặc biệt trong phần **THÔNG SỐ KỸ THUẬT**.

1. Đặt dụng cụ ở góc vát 0° hoặc 45° và đảm bảo rằng đế xoay đã được khóa. (Tham khảo phần điều chỉnh góc vát.)

2. Tháo bỏ tạm thời tấm chắn trên bên trái và bên phải và đặt chúng sang một bên.

3. Cắt bục theo kích thước được minh họa trên hình sử dụng chất liệu bệ đỡ phẳng, dày 38 mm như gỗ, ván ép hoặc ván dăm.

► **Hình64:** 1. Góc vát 0°: Trên 450 mm 2. Góc vát 45°: Trên 325 mm 3. 38 mm 4. Trên 760 mm

**⚠ CẢNH BÁO:** Phải đảm bảo sử dụng bệ đỡ phẳng làm bục. Bệ đỡ không phẳng có thể di chuyển trong lúc cắt, có thể dẫn đến việc bật ngược và gây ra thương tích cá nhân nghiêm trọng.

**LƯU Ý:** Công suất cắt tối đa về chiều cao sẽ bị giảm tương ứng với độ dày bục.

4. Đặt bục lên trên dụng cụ sao cho nó rộng đều qua mỗi bên của đế dụng cụ.

Cố định bục vào dụng cụ bằng bốn vít bắt gỗ 6 mm bắt qua bốn lỗ ở các thanh dẫn dưới.

► **Hình65:** 1. Vít (hai bên) 2. Tấm chắn dưới 3. Đế 4. Bục

**⚠ CẢNH BÁO:** Phải đảm bảo rằng bục nằm bằng phẳng tiếp xúc với đế dụng cụ và được cố định chắc chắn vào các thanh dẫn dưới bằng bốn lỗ vít đã cung cấp. Việc không cố định để đúng cách có thể khiến nó di chuyển và gây nguy cơ bật ngược dẫn đến thương tích cá nhân nghiêm trọng.

**⚠ CẢNH BÁO:** Phải đảm bảo rằng dụng cụ được gắn một cách chắc chắn trên một bề mặt phẳng và ổn định. Việc không gắn và cố định dụng cụ đúng cách có thể làm dụng cụ không ổn định dẫn đến mất kiểm soát và/hoặc đánh rơi dụng cụ gây ra thương tích cá nhân nghiêm trọng.



## 5. Lắp các thanh dẫn trên vào dụng cụ.

**⚠ CẢNH BÁO:** Không dùng dụng cụ khi các thanh dẫn trên chưa được lắp ráp. Các thanh dẫn trên sẽ giúp chống đỡ phù hợp cần để cắt vật gia công.

Nếu vật gia công không được chống đỡ một cách thích hợp, nó có thể di chuyển dẫn đến mất kiểm soát, bật ngược và gây thương tích cá nhân nghiêm trọng.

- Đặt vật gia công cần cắt trên bục được cố định vào dụng cụ.
  - Phải cố định chắc chắn vật gia công áp vào thanh dẫn trên bằng bàn kẹp trước khi cắt.
- **Hình66:** 1. Thanh dẫn trên 2. Bàn kẹp đứng 3. Vật gia công 4. Bục
- Thực hiện nhất cắt qua vật gia công một cách từ từ bằng thao tác đã giải thích trong phần cắt trượt (đẩy).

**⚠ CẢNH BÁO:** Phải đảm bảo rằng vật gia công được cố định vào bàn kẹp và thực hiện nhất cắt một cách từ từ. Việc không làm như vậy có thể làm vật gia công dịch chuyển dẫn đến việc bật ngược và gây ra thương tích cá nhân nghiêm trọng.

**⚠ CẢNH BÁO:** Chú ý rằng bục có thể trở nên yếu sau khi thực hiện nhiều nhất cắt ở các góc vật khác nhau. Nếu bục trở nên yếu do có nhiều vết rãnh cắt trên vật liệu, nên thay bục khác. Nếu bục bị yếu không được thay thế, việc này có thể làm vật gia công bị di chuyển trong quá trình cắt, dẫn đến bật ngược và gây ra thương tích cá nhân nghiêm trọng.

## Cắt rãnh lòng máng

**⚠ CẢNH BÁO:** Không cố thực hiện cách cắt này bằng các lưỡi cưa rộng hoặc bằng lưỡi cưa cắt dài ốp tường. Cố cắt rãnh lòng máng bằng lưỡi rộng hoặc lưỡi có cắt dài ốp tường có thể dẫn đến kết quả cắt không mong muốn và đẩy lưỡi cưa ngược lại có thể gây thương tích cá nhân nghiêm trọng.

**⚠ CẢNH BÁO:** Đảm bảo đưa tay chặn về vị trí ban đầu khi thực hiện các công việc không phải là cắt rãnh lòng máng. Cố cắt khi tay chặn đặt sai vị trí có thể dẫn đến kết quả cắt không mong muốn và đẩy lưỡi cưa ngược lại có thể gây thương tích cá nhân nghiêm trọng.

Đối với máy cắt loại dài ốp tường, thực hiện như sau:

- Điều chỉnh vị trí giới hạn dưới của lưỡi cưa đĩa bằng vít điều chỉnh và tay chặn để giới hạn độ sâu cắt xuống của lưỡi cưa đĩa. Vui lòng tham khảo phần tay chặn.
  - Sau khi điều chỉnh vị trí giới hạn dưới của lưỡi cưa đĩa, cắt các đường rãnh song song qua chiều rộng của phối gia công bằng cách cắt trượt (đẩy).
- **Hình67:** 1. Cắt rãnh bằng lưỡi cưa
- Loại bỏ vật liệu gia công giữa các đường rãnh bằng một cái đục.

## Lớp ốp gỗ

**⚠ CẢNH BÁO:** Sử dụng ốc vít để gắn lớp ốp gỗ vào tấm chắn dẫn hướng. Nên lắp ốc vít sao cho đầu vít ở dưới bề mặt lớp ốp gỗ để chúng không cản trở việc định vị vật liệu đem cắt. Xếp lệch vật liệu đem cắt có thể gây ra sự di chuyển không mong muốn trong khi cắt dẫn đến mất điều khiển và gây ra thương tích cá nhân nghiêm trọng.

**⚠ THẬN TRỌNG:** Sử dụng gỗ thẳng có độ dày đều cho lớp ốp gỗ.

**⚠ THẬN TRỌNG:** Để cắt hoàn toàn các vật gia công với chiều cao từ 107 mm đến 120 mm, nên dùng lớp ốp gỗ trên thanh dẫn. Lớp ốp gỗ sẽ đặt vật gia công cách xa thanh dẫn cho phép lưỡi cưa hoàn thành vết cắt sâu hơn.

**CHÚ Ý:** Khi gắn lớp ốp gỗ, không được xoay để xoay khi tay cầm đã bị hạ thấp. Lưỡi cưa và/hoặc lớp ốp gỗ sẽ bị hỏng.

Sử dụng lớp ốp gỗ giúp đảm bảo vật gia công không bị cắt vụn. Gắn lớp ốp gỗ vào thanh dẫn bằng các lỗ trên thanh dẫn và vít 6 mm.

Xem hình liên quan đến kích thước của lớp ốp gỗ được gợi ý.

- **Hình68:** 1. Lỗ 2. Trên 15 mm 3. Trên 270 mm 4. 90 mm 5. 145 mm 6. 19 mm 7. 115 - 120 mm

**VÍ DỤ** Khi cắt vật gia công cao 115 mm và 120 mm, dùng lớp ốp gỗ với độ dày như sau.

Góc vát	Độ dày của lớp ốp gỗ	
	115 mm	120 mm
0°	20 mm	38 mm
45° sang Trái và Phải	15 mm	25 mm
60° sang Trái và Phải	15 mm	25 mm

## Di chuyển dụng cụ

Trước khi mang dụng cụ, hãy chắc chắn đã tháo hộp pin và tắt cả bộ phận chuyển động của máy cưa đa góc đã được cố định. Luôn kiểm tra những điều sau:

- Hộp pin đã được tháo.
- Bàn trượt nằm ở vị trí góc xiên 0° và được cố định.
- Bàn trượt đã được hạ xuống và khóa.
- Bàn trượt đã trượt hết mức đến các thanh dẫn và được khóa.
- Đế xoay nằm ở vị trí góc vát phải hoàn toàn và được cố định.
- Các bộ phụ được cắt và cố định.

Di chuyển dụng cụ bằng cách giữ cả hai bên bộ của dụng cụ.

- **Hình69**



**⚠ CẢNH BÁO:** Chốt chặn để nâng bàn trượt chỉ dùng để di chuyển và cất giữ chứ không dùng cho bất kỳ thao tác cắt nào. Việc sử dụng chốt chặn cho các thao tác cắt có thể làm lưỡi cưa đĩa di chuyển không mong muốn, khiến lưỡi cưa bị đẩy ngược lại và gây ra thương tích cá nhân nghiêm trọng.

**⚠ THẬN TRỌNG:** Luôn cố định tất cả các phần chuyển động trước khi mang vác dụng cụ. Nếu các phần của dụng cụ di chuyển hoặc trượt trong khi được mang vác, việc mất kiểm soát hoặc mất cân bằng có thể xảy ra và gây thương tích cá nhân nghiêm trọng.

**⚠ THẬN TRỌNG:** Đảm bảo độ cao bàn trượt được khóa đúng cách ở phía dưới cùng của bàn trượt bằng chốt chặn. Nếu chốt chặn không được cài đúng cách, bàn trượt có thể bật lên đột ngột và gây thương tích cá nhân.

## CHỨC NĂNG KÍCH HOẠT KHÔNG DÂY

### Những điều bạn có thể thực hiện với chức năng kích hoạt không dây

Chức năng kích hoạt không dây cho phép vận hành sạch và thuận lợi. Bằng cách nối máy hút bụi được hỗ trợ vào dụng cụ, bạn có thể chạy máy hút bụi tự động cùng với vận hành chuyển đổi của dụng cụ.

► **Hình70**

Để sử dụng chức năng kích hoạt không dây, hãy chuẩn bị các mục sau đây:

- Một thiết bị thu và phát không dây (phụ kiện tùy chọn)
- Một máy hút bụi hỗ trợ chức năng kích hoạt không dây

Cài đặt chức năng kích hoạt không dây được trình bày khái quát như sau đây. Vui lòng tham khảo từng phần để biết về các quy trình chi tiết.

1. Lắp thiết bị thu và phát không dây
2. Đăng ký dụng cụ cho máy hút bụi
3. Khởi động chức năng kích hoạt không dây

## Lắp thiết bị thu và phát không dây

### Phụ kiện tùy chọn

**⚠ THẬN TRỌNG:** Đặt dụng cụ lên trên bề mặt phẳng và cố định khi lắp thiết bị thu và phát không dây.

**CHÚ Ý:** Làm sạch bụi bẩn trên dụng cụ trước khi lắp đặt thiết bị thu và phát không dây. Bụi bẩn có thể gây ra sự cố nếu lọt vào khe của thiết bị thu và phát không dây.

**CHÚ Ý:** Để ngăn sự cố do tĩnh điện, hãy chạm vào vật liệu xả tĩnh, chẳng hạn như phần kim loại của dụng cụ, trước khi cắm thiết bị thu và phát không dây.

**CHÚ Ý:** Khi lắp thiết bị thu và phát không dây, luôn đảm bảo rằng thiết bị không dây được lắp vào đúng hướng và nắp được đóng lại hoàn toàn.

1. Mở nắp trên dụng cụ như minh họa trong hình.

► **Hình71:** 1. Nắp

2. Lắp thiết bị thu và phát không dây vào khe và sau đó đóng nắp lại.

Khi lắp thiết bị thu và phát không dây, căn chỉnh các góc nhô ra thẳng với các phần lõm trên khe.

► **Hình72:** 1. Thiết bị thu và phát không dây 2. Góc nhô ra 3. Nắp 4. Phần lõm

Khi tháo thiết bị thu và phát không dây, mở nắp từ từ. Các móc treo vào phía sau nắp sẽ nâng thiết bị thu và phát không dây khi bạn kéo nắp lên.

► **Hình73:** 1. Thiết bị thu và phát không dây 2. Móc treo 3. Nắp

Sau khi tháo thiết bị thu và phát không dây, hãy cất giữ trong hộp đựng máy được giao kèm hoặc hộp chống tĩnh điện.

**CHÚ Ý:** Luôn sử dụng các móc ở phía sau nắp khi tháo thiết bị thu và phát không dây. Nếu các móc không móc vào thiết bị thu và phát không dây, đóng nắp hoàn toàn và mở lại từ từ.

## Đăng ký dụng cụ cho máy hút bụi

**LƯU Ý:** Việc đăng ký dụng cụ yêu cầu có máy hút bụi Makita hỗ trợ chức năng kích hoạt không dây.

**LƯU Ý:** Hãy hoàn tất quá trình lắp thiết bị thu và phát không dây vào dụng cụ trước khi bắt đầu đăng ký dụng cụ.

**LƯU Ý:** Tránh bật các công tắc sau đây trong quá trình đăng ký dụng cụ:

- cần khởi động công tắc trên dụng cụ
- công tắc hút bụi trên dụng cụ
- công tắc nguồn trên máy hút bụi

**LƯU Ý:** Tham khảo cả tài liệu hướng dẫn về máy hút bụi.

Nếu bạn muốn kích hoạt máy hút bụi cùng với vận hành chuyển đổi dụng cụ, hãy hoàn tất đăng ký dụng cụ trước.

1. Lắp pin vào máy hút bụi và dụng cụ.
2. Gạt công tắc chờ trên máy hút bụi về "AUTO".  
▶ **Hình74:** 1. Công tắc chờ
3. Nhấn nút kích hoạt không dây trên máy hút bụi trong 3 giây cho đến khi đèn kích hoạt không dây nhấp nháy màu xanh lá. Và sau đó nhấn nút kích hoạt không dây trên dụng cụ theo cách tương tự.  
▶ **Hình75:** 1. Nút kích hoạt không dây 2. Đèn kích hoạt không dây

Nếu máy hút bụi và dụng cụ được kết nối thành công, đèn kích hoạt không dây sẽ sáng màu xanh lá trong 2 giây và bắt đầu nhấp nháy màu xanh dương.

**LƯU Ý:** Đèn kích hoạt không dây sẽ ngừng nhấp nháy màu xanh lá sau khoảng thời gian 20 giây. Nhấn nút kích hoạt không dây trên dụng cụ khi đèn kích hoạt không dây trên máy hút bụi đang nhấp nháy. Nếu đèn kích hoạt không dây không nhấp nháy màu xanh lá, bấm nút kích hoạt không dây một cách dứt khoát và chờ nút xuống lần nữa.

**LƯU Ý:** Khi thực hiện hai hay nhiều đăng ký dụng cụ cho một máy hút bụi, hãy hoàn tất từng đăng ký dụng cụ một.

## Khởi động chức năng kích hoạt không dây

**LƯU Ý:** Hoàn tất đăng ký dụng cụ cho máy hút bụi trước khi kích hoạt không dây.

**LƯU Ý:** Tham khảo cả tài liệu hướng dẫn về máy hút bụi.

Sau khi đăng ký dụng cụ cho máy hút bụi, máy hút bụi sẽ chạy tự động cùng với vận hành chuyển đổi của dụng cụ. Kéo cần khởi động công tắc trên dụng cụ để chạy máy hút bụi trong quá trình vận hành. Máy hút bụi cũng bắt đầu hoạt động bằng cách nhấn nút hút bụi trên dụng cụ từ bất kỳ thao tác cắt nào.

▶ **Hình76**

1. Lắp thiết bị thu và phát không dây vào dụng cụ.
2. Nối ống dẫn của máy hút bụi vào dụng cụ.

▶ **Hình77**

3. Gạt công tắc chờ trên máy hút bụi về "AUTO".

▶ **Hình78:** 1. Công tắc chờ

4. Đẩy dứt khoát nút kích hoạt không dây trên dụng cụ. Đèn kích hoạt không dây sẽ nhấp nháy màu xanh dương.

▶ **Hình79:** 1. Nút kích hoạt không dây 2. Đèn kích hoạt không dây

5. Kéo cần khởi động công tắc của dụng cụ. Kiểm tra xem máy hút bụi có chạy trong khi cần khởi động công tắc được kéo hay không.

6. Nhấn nút hút bụi để chạy máy hút bụi. Kiểm tra xem đèn kích hoạt không dây có sáng lên màu xanh dương và máy có tiếp tục chạy cho đến khi bạn nhấn lại nút không.

7. Để ngừng vận hành hút bụi, hãy nhả cần khởi động công tắc hoặc nhấn lại nút hút bụi. Máy hút bụi ngừng chạy vài giây sau khi vận hành chuyển đổi, sau đó đèn chuyển sang nhấp nháy màu xanh dương.

**LƯU Ý:** Bạn có thể biết được trạng thái chuyển đổi (bật/tắt máy) ở đèn kích hoạt không dây. Để biết chi tiết, hãy tham khảo phần mô tả trạng thái của đèn kích hoạt không dây.

8. Để dừng việc kích hoạt không dây của máy hút bụi, nhấn nút kích hoạt không dây trên dụng cụ.

**LƯU Ý:** Đèn kích hoạt không dây trên dụng cụ sẽ dừng nhấp nháy màu xanh dương khi không vận hành 2 giờ. Trong trường hợp này, cài đặt công tắc chờ trên máy hút bụi về "AUTO" và nhấn nút kích hoạt không dây trên dụng cụ lần nữa.

**LƯU Ý:** Máy hút bụi khởi động/dừng lại với khoảng trì hoãn. Có một khoảng thời gian chậm lại khi máy hút bụi phát hiện việc vận hành chuyển đổi của dụng cụ.



**LƯU Ý:** Khoảng cách truyền của thiết bị thu và phát không dây có thể khác nhau tùy thuộc vào vị trí và hoàn cảnh xung quanh.

**LƯU Ý:** Khi hai dụng cụ trở lên được đăng ký cho một máy hút bụi, máy hút bụi có thể bắt đầu chạy ngay cả khi bạn không kéo cần khởi động công tắc hoặc bật nút hút bụi vì một người dùng khác đang sử dụng chức năng kích hoạt không dây.

## Mô tả tình trạng đèn kích hoạt không dây

### ► Hình80: 1. Đèn kích hoạt không dây

Đèn kích hoạt không dây cho biết tình trạng của chức năng kích hoạt không dây. Tham khảo bảng bên dưới để biết ý nghĩa của tình trạng đèn.

Tình trạng	Đèn kích hoạt không dây				Mô tả
	Màu	 Bật	 Nhấp nháy	Khoảng thời gian	
Chờ	Màu xanh dương	<input checked="" type="checkbox"/>		2 giờ	Kích hoạt không dây của máy hút bụi là khả dụng. Đèn sẽ tự động tắt khi không vận hành 2 giờ.
		<input type="checkbox"/>		Khi dụng cụ đang chạy.	Kích hoạt không dây của máy hút bụi là khả dụng và dụng cụ đang chạy.
Đăng ký dụng cụ	Màu xanh lá	<input checked="" type="checkbox"/>		20 giây	Sẵn sàng để đăng ký dụng cụ. Chờ máy hút bụi đăng ký.
		<input type="checkbox"/>		2 giây	Đăng ký dụng cụ đã hoàn tất. Đèn kích hoạt không dây sẽ bắt đầu nhấp nháy màu xanh dương.
Hủy bỏ đăng ký dụng cụ	Màu đỏ	<input checked="" type="checkbox"/>		20 giây	Sẵn sàng để hủy bỏ đăng ký dụng cụ. Chờ máy hút bụi hủy bỏ.
		<input type="checkbox"/>		2 giây	Hủy bỏ đăng ký dụng cụ đã hoàn tất. Đèn kích hoạt không dây sẽ bắt đầu nhấp nháy màu xanh dương.
Khác	Màu đỏ	<input type="checkbox"/>		3 giây	Cấp nguồn cho thiết bị thu và phát không dây và chức năng kích hoạt không dây khởi động.
	Tắt	-		-	Kích hoạt không dây của máy hút bụi bị ngừng lại.

## Hủy bỏ đăng ký dụng cụ cho máy hút bụi

Thực hiện theo quy trình sau đây khi hủy bỏ đăng ký dụng cụ cho máy hút bụi.

- Lắp pin vào máy hút bụi và dụng cụ.
  - Gạt công tắc chờ trên máy hút bụi về "AUTO".
- Hình81: 1. Công tắc chờ
- Nhấn nút kích hoạt không dây trên máy hút bụi trong 6 giây. Đèn kích hoạt không dây nhấp nháy màu xanh lá và sau đó bật màu đỏ. Sau đó, nhấn nút kích hoạt không dây trên dụng cụ theo cách tương tự.
- Hình82: 1. Nút kích hoạt không dây 2. Đèn kích hoạt không dây

Nếu thực hiện hủy bỏ thành công, đèn kích hoạt không dây sẽ sáng màu đỏ trong 2 giây và bắt đầu nhấp nháy màu xanh dương.

**LƯU Ý:** Đèn kích hoạt không dây sẽ ngừng nhấp nháy màu đỏ sau khoảng thời gian 20 giây. Nhấn nút kích hoạt không dây trên dụng cụ khi đèn kích hoạt không dây trên máy hút bụi đang nhấp nháy. Nếu đèn kích hoạt không dây không nhấp nháy màu đỏ, bấm nút kích hoạt không dây một cách dứt khoát và để nút xuống lần nữa.

## Xử lý sự cố cho chức năng kích hoạt không dây

Trước khi yêu cầu sửa chữa, đầu tiên hãy tự tiến hành kiểm tra của riêng bạn. Nếu bạn phát hiện vấn đề nào đó không được giải thích trong sách hướng dẫn sử dụng này, đừng cố tháo dỡ dụng cụ. Thay vào đó, hãy nhờ Trung tâm dịch vụ Makita được ủy quyền, luôn sử dụng bộ phận thay thế của Makita để sửa chữa.

Tình trạng bất thường	Nguyên nhân tiềm tàng (sự cố hồng học)	Biện pháp khắc phục
Đèn kích hoạt không dây không sáng/nhấp nháy.	Thiết bị thu và phát không dây không được lắp vào dụng cụ.	Lắp thiết bị thu và phát không dây đúng cách.
	Thiết bị thu và phát không dây được lắp không đúng cách vào dụng cụ.	
	Điện cực của thiết bị thu và phát không dây và/hoặc khe bị bẩn.	Nhẹ nhàng lau sạch bụi bẩn trên điện cực của thiết bị thu và phát không dây và làm sạch khe.
	Nút kích hoạt không dây trên dụng cụ không được nhấn.	Đẩy dứt khoát nút kích hoạt không dây trên dụng cụ.
	Công tắc chờ trên máy hút bụi không được gạt về "AUTO".	Gạt công tắc chờ trên máy hút bụi về "AUTO".
Không có nguồn cấp điện	Cấp điện cho dụng cụ và máy hút bụi.	
Không thể hoàn tất đăng ký dụng cụ / hủy bỏ đăng ký dụng cụ thành công.	Thiết bị thu và phát không dây không được lắp vào dụng cụ.	Lắp thiết bị thu và phát không dây đúng cách.
	Thiết bị thu và phát không dây được lắp không đúng cách vào dụng cụ.	
	Điện cực của thiết bị thu và phát không dây và/hoặc khe bị bẩn.	Nhẹ nhàng lau sạch bụi bẩn trên điện cực của thiết bị thu và phát không dây và làm sạch khe.
	Công tắc chờ trên máy hút bụi không được gạt về "AUTO".	Gạt công tắc chờ trên máy hút bụi về "AUTO".
	Không có nguồn cấp điện	Cấp điện cho dụng cụ và máy hút bụi.
	Vận hành không chính xác	Nhấn dứt khoát nút kích hoạt không dây và thực hiện lại quy trình đăng ký/hủy bỏ dụng cụ.
	Dụng cụ và máy hút bụi cách xa nhau (ngoài phạm vi truyền).	Đặt dụng cụ và máy hút bụi gần nhau hơn. Khoảng cách truyền tối đa là khoảng 10 m, tuy nhiên có thể khác nhau tùy theo trường hợp.
	Trước khi hoàn tất đăng ký/hủy bỏ dụng cụ; - cần khởi động công tắc trên dụng cụ được kéo hoặc; - nút hút bụi trên dụng cụ được bật hoặc; - nút nguồn trên máy hút bụi được bật.	Nhấn dứt khoát nút kích hoạt không dây và thực hiện lại quy trình đăng ký/hủy bỏ dụng cụ.
	Quy trình đăng ký dụng cụ cho dụng cụ hoặc máy hút bụi chưa hoàn tất.	Thực hiện quy trình đăng ký dụng cụ cho cả dụng cụ và máy hút bụi cùng một lúc.
Nhiều sóng vô tuyến do các thiết bị có thể tạo ra sóng vô tuyến cường độ cao khác gây ra.	Giữ dụng cụ và máy hút bụi cách xa các thiết bị như các thiết bị Wi-Fi và lò vi sóng.	

Tình trạng bất thường	Nguyên nhân tiềm tàng (sự cố hồng học)	Biện pháp khắc phục
Máy hút bụi không hoạt động theo vận hành chuyển đổi dụng cụ.	Thiết bị thu và phát không dây không được lắp vào dụng cụ.	Lắp thiết bị thu và phát không dây đúng cách.
	Thiết bị thu và phát không dây được lắp không đúng cách vào dụng cụ.	
	Điện cực của thiết bị thu và phát không dây và/hoặc khe bị bẩn.	Nhẹ nhàng lau sạch bụi bẩn trên điện cực của thiết bị thu và phát không dây và làm sạch khe.
	Nút kích hoạt không dây trên dụng cụ không được nhấn.	Nhấn dứt khoát nút kích hoạt không dây và đảm bảo rằng đèn kích hoạt không dây đang nhấp nháy màu xanh dương.
	Công tắc chờ trên máy hút bụi không được gạt về "AUTO".	Gạt công tắc chờ trên máy hút bụi về "AUTO".
	Hơn 10 dụng cụ được đăng ký cho máy hút bụi.	Thực hiện lại đăng ký dụng cụ. Nếu có hơn 10 dụng cụ được đăng ký cho máy hút bụi, dụng cụ được đăng ký sớm nhất sẽ tự động bị hủy bỏ.
	Máy hút bụi đã không đăng ký dụng cụ thành công.	Làm lại việc đăng ký dụng cụ.
	Máy hút bụi đã xóa toàn bộ các đăng ký dụng cụ.	Thực hiện lại đăng ký dụng cụ.
	Không có nguồn cấp điện	Cấp điện cho dụng cụ và máy hút bụi.
Dụng cụ và máy hút bụi cách xa nhau (ngoài phạm vi truyền).	Đặt dụng cụ và máy hút bụi gần nhau hơn. Khoảng cách truyền tối đa là khoảng 10 m, tuy nhiên có thể khác nhau tùy theo trường hợp.	
Nhiều sóng vô tuyến do các thiết bị có thể tạo ra sóng vô tuyến cường độ cao khác gây ra.	Giữ dụng cụ và máy hút bụi cách xa các thiết bị như các thiết bị Wi-Fi và lò vi sóng.	
Máy hút bụi chạy trong khi không có công tắc nào cho dụng cụ đang hoạt động.	Người dùng khác đang sử dụng kích hoạt không dây của máy hút bụi bằng dụng cụ của họ.	Tắt nút kích hoạt không dây của các dụng cụ khác hoặc hủy bỏ đăng ký dụng cụ của các dụng cụ khác.

## BẢO TRÌ

**⚠ CẢNH BÁO:** Hãy luôn chắc chắn rằng dụng cụ đã được tắt và hộp pin đã được tháo ra trước khi cố gắng thực hiện việc kiểm tra hay bảo dưỡng. Không tắt và tháo hộp pin của dụng cụ có thể dẫn đến vô tình khởi động máy gây chấn thương cá nhân nghiêm trọng.

**⚠ CẢNH BÁO:** Luôn đảm bảo rằng lưới cửa đĩa sắc bén và sạch sẽ để đạt hiệu suất hoạt động tốt nhất, an toàn nhất. Cố cắt bằng lưới cửa cùn và/hoặc bẩn có thể khiến lưới cửa bị đẩy ngược trở lại và gây ra thương tích cá nhân nghiêm trọng.

**⚠ THẬN TRỌNG:** Luôn đảm bảo rằng phần bảo vệ lưới cửa đang đóng ở vị trí ban đầu trước khi cố gắng thực hiện việc kiểm tra hay bảo dưỡng. Tuyệt đối không kẹp chặt hoặc buộc phần bảo vệ lưới cửa ở vị trí mở trong quá trình vận hành làm sạch. Lưới cửa lộ ra có thể gây ra thương tích cá nhân.

**CHÚ Ý:** Không được phép dùng xăng, ét xăng, dung môi, cồn hoặc hóa chất tương tự. Có thể xảy ra hiện tượng mất màu, biến dạng hoặc nứt vỡ.

Để đảm bảo ĐỘ AN TOÀN và ĐỘ TIN CẬY của sản phẩm, việc sửa chữa hoặc bất cứ thao tác bảo trì, điều chỉnh nào đều phải được thực hiện bởi các Trung tâm Dịch vụ Nhà máy hoặc Trung tâm được Makita Ủy quyền và luôn sử dụng các phụ tùng thiết bị thay thế của Makita.

### Điều chỉnh góc cắt

Dụng cụ này được điều chỉnh và căn chỉnh cẩn thận tại nhà máy, tuy nhiên quá trình vận chuyển dần xóc có thể ảnh hưởng đến việc căn chỉnh này. Nếu dụng cụ của bạn được căn chỉnh không đúng cách, hãy thực hiện các bước sau:

### Góc vát chéo

Hạ tay cầm xuống hết mức và khóa tay cầm vào vị trí hạ xuống bằng chốt chặn. Đẩy bàn trượt về phía thanh dẫn.

Xoay tay cầm ngược chiều kim đồng hồ và chuẩn bị sẵn để xoay cho chức năng dừng theo chiều thuận bằng căn khóa.

Sau đó nối lỏng vít cố định kim chỉ và thang đo góc vát.

► **Hình 83:** 1. Tay cầm 2. Căn khóa 3. Vít trên vạch chuẩn 4. Vít trên thang đo góc vát 5. Thang đo góc vát

Thiết lập để xoay đến vị trí 0° bằng chức năng dừng theo chiều thuận. Đặt vuông góc mặt bên của lưỡi cưa đĩa với mặt của thanh dẫn sử dụng thước tam giác hoặc thước ê-ke vuông. Trong khi giữ góc vuông, vặn chặt các vít trên thang đo góc vít. Sau đó, căn chỉnh các kim chỉ (cả trái và phải) về vị trí 0° trong thang đo góc vít và sau đó vặn chặt vít trên vạch chuẩn.

► **Hình84:** 1. Thước tam giác 2. Kim chỉ

## Góc xiên

### Góc xiên 0°

Đẩy bàn trượt về phía các thanh dẫn và khóa chuyển động trượt lại bằng chốt chặn. Hạ bàn trượt xuống hết mức và khóa bàn trượt vào vị trí bên dưới bằng chốt chặn. Xoay núm ngược chiều kim đồng hồ, sau đó vặn bu-lông điều chỉnh 0° qua hai hoặc ba vòng ngược chiều kim đồng hồ để nghiêng lưỡi cưa đĩa về bên phải.

► **Hình85:** 1. Núm 2. Bu-lông điều chỉnh 0° 3. Vít trên vạch chuẩn

Cẩn thận chỉnh vuông góc mặt bên của lưỡi cưa đĩa với mặt trên cùng của đế xoay bằng thước tam giác, thước ê-ke vuông, v.v... bằng cách xoay bu-lông điều chỉnh 0° theo chiều kim đồng hồ. Sau đó vặn chặt núm để cố định góc 0° bạn đã thiết lập.

► **Hình86:** 1. Thước tam giác 2. Lưỡi cưa 3. Mặt trên của đế xoay

Kiểm tra lại một lần nữa xem mặt của lưỡi cưa đĩa có vuông góc với bề mặt đế xoay không. Nới lỏng vít trên kim chỉ. Căn chỉnh kim chỉ về vị trí 0° trong thang đo góc xiên sau đó vặn chặt vít.

### Góc xiên 45°

**CHÚ Ý:** Trước khi điều chỉnh góc xiên 45°, hãy hoàn tất điều chỉnh góc xiên 0°.

Nới lỏng núm và nghiêng hết mức bàn trượt về bên bạn muốn kiểm tra. Kiểm tra xem vạch chuẩn có chỉ vị trí 45° trong thang đo góc xiên hay không.

► **Hình87:** 1. Núm

Nếu kim chỉ không chỉ vị trí 45°, căn chỉnh kim chỉ tới vị trí 45° bằng cách vặn bu-lông điều chỉnh trong thang đo góc xiên ở phía đối diện với đế.

► **Hình88:** 1. Bu-lông điều chỉnh 45° trái 2. Bu-lông điều chỉnh 45° phải

## Điều chỉnh thanh cữ phụ

Điều chỉnh thanh cữ phụ trên bộ phụ nếu chúng không được căn chỉnh thẳng hàng với thanh dẫn.

1. Nới lỏng các bu lông đang cố định thanh cữ phụ bằng cờ lê lục giác.
2. Đặt thanh cứng thẳng vào, chẳng hạn như một thanh thép vuông, bằng phẳng tỷ lệ thanh dẫn.
3. Trong khi thanh phẳng tỷ lệ thanh dẫn, đặt thanh cữ phụ sao cho bề mặt của thanh cữ phụ trở nên ngang bằng với thanh dẫn. Sau đó, siết chặt bu lông.

► **Hình89:** 1. Bu lông 2. Thanh cữ phụ 3. Thanh dẫn 4. Thanh cứng

## Vệ sinh các kính đèn

**⚠ THẬN TRỌNG:** Luôn tháo lưỡi cưa đĩa trước khi làm sạch các kính đèn.

**CHÚ Ý:** Không tháo vít cố định các ống kính. Nếu ống kính không kéo ra được, hãy nới lỏng vít hơn nữa.

**CHÚ Ý:** Dùng vải khô để lau bụi bẩn trên kính đèn. Cẩn thận không được làm xước kính đèn, nếu không đèn có thể bị giảm độ sáng.

**CHÚ Ý:** Không được sử dụng các loại dung môi hay bất kỳ chất tẩy rửa gốc dầu nào cho ống kính.

Đèn LED sẽ trở nên khó nhìn thấy khi kính dùng cho đèn bị bẩn. Vệ sinh kính định kỳ.

Tháo hộp pin. Nới lỏng vít và kéo bóng đèn ra. Làm sạch bóng đèn một cách nhẹ nhàng bằng vải mềm ẩm.

► **Hình90:** 1. Vít 2. Ống kính

## Sau khi sử dụng

Sau khi sử dụng, hãy lau sạch các phoi và mặt bám vào dụng cụ bằng vải hoặc vật liệu tương tự. Giữ cho phần bảo vệ lưỡi cưa luôn sạch sẽ theo các hướng dẫn trong phần có tiêu đề "Phần bảo vệ lưỡi cưa" đã trình bày trước đó. Bôi trơn các phần trượt bằng dầu máy để ngăn ngừa rỉ sét.

## PHỤ KIỆN TỰY CHỌN

**⚠ CẢNH BÁO:** Những phụ tùng hoặc phụ kiện Makita này được khuyến nghị sử dụng với dụng cụ Makita của bạn được nêu rõ trong tài liệu này. Sử dụng bất kỳ phụ tùng hoặc phụ kiện nào khác cũng có thể gây thương tích cá nhân nghiêm trọng.

**⚠ CẢNH BÁO:** Chỉ sử dụng phụ tùng hoặc phụ kiện Makita cho mục đích đã được nêu. Sử dụng không đúng phụ tùng hoặc phụ kiện có thể gây thương tích cá nhân nghiêm trọng.

Nếu bạn cần bất kỳ sự hỗ trợ nào để biết thêm chi tiết về các phụ tùng này, hãy hỏi Trung tâm Dịch vụ của Makita tại địa phương của bạn.

- Các lưỡi cưa bịt hợp kim cacbua
- Bàn kẹp đứng
- Bàn kẹp ngang
- Bộ thanh chặn đường gờ bao quanh góc
- Túi đựng mặt cưa
- Quy tắc tam giác
- Cờ lê sáu cạnh
- Thiết bị thu và phát không dây
- Bộ đế
- Pin và bộ sạc chính hãng của Makita

**LƯU Ý:** Một số mục trong danh sách có thể được bao gồm trong gói dụng cụ làm phụ kiện tiêu chuẩn. Các mục này ở mỗi quốc gia có thể khác nhau.

## ข้อมูลจำเพาะ

รุ่น:	LS003G	
เส้นผ่านศูนย์กลางใบเลื่อย	ประเทศในยุโรป	305 mm
	ประเทศอื่นๆ นอกเหนือจากยุโรป	305 mm
เส้นผ่านศูนย์กลางของรู	ประเทศในยุโรป	30 mm
	ประเทศอื่นๆ นอกเหนือจากยุโรป	30 mm หรือ 25.4 mm (เฉพาะประเทศ)
ความหนาสูงสุดของร่องตัดของใบเลื่อย	3.2 mm	
องศาการบากสูงสุด	ขวา 60°, ซ้าย 60°	
องศามุมเอียงสูงสุด	ขวา 48°, ซ้าย 48°	
ความเร็วขณะหมุนเปล่า (RPM)	3,600 min <sup>-1</sup>	
ขนาด (ยาว x กว้าง x สูง)	898 mm x 690 mm x 725 mm	
แรงดันไฟฟ้าสูงสุด	D.C. 36 V - 40 V สูงสุด	
น้ำหนักสุทธิ	30.5 - 31.1 kg	

### ความสามารถในการตัด (สูง x กว้าง)

องศามุมบาก			องศามุมเอียง		
			45° (ซ้าย)	0°	45° (ขวา)
0°	-		61 mm x 382 mm 71 mm x 363 mm	92 mm x 382 mm 107 mm x 363 mm	44 mm x 382 mm 54 mm x 363 mm
	ความหนาของไม้ผา บนฉากหน้าสำหรับ ความสูงในการตัดที่ เพิ่มขึ้น	20 mm	78 mm x 325 mm	115 mm x 325 mm	61 mm x 325 mm
		38 mm	80 mm x 292 mm	120 mm x 292 mm	-
45° (ขวาและซ้าย)	-		61 mm x 268 mm 71 mm x 255 mm	92 mm x 268 mm 107 mm x 255 mm	44 mm x 268 mm 54 mm x 255 mm
	ความหนาของไม้ผา บนฉากหน้าสำหรับ ความสูงในการตัดที่ เพิ่มขึ้น	15 mm	-	115 mm x 227 mm	-
		25 mm		120 mm x 212 mm	
60° (ขวาและซ้าย)	-		-	92 mm x 185 mm 107 mm x 178 mm	-
	ความหนาของไม้ผา บนฉากหน้าสำหรับ ความสูงในการตัดที่ เพิ่มขึ้น	15 mm		115 mm x 155 mm	
		25 mm		120 mm x 140 mm	



ความสามารถการตัดสำหรับการตัดแบบพิเศษ

ประเภทของการตัด	ความสามารถการตัด
บัวผนังแบบ 45° (ใช้ร่วมกับสตอปเปอร์บัวผนัง)	203 mm
แผ่นรองฐาน (ใช้ร่วมกับตัวหนีบแนวนอน)	171 mm

- เนื่องจากการค้นคว้าวิจัยและพัฒนาอย่างต่อเนื่อง ข้อมูลจำเพาะในเอกสารฉบับนี้อาจเปลี่ยนแปลงได้โดยไม่ต้องแจ้งให้ทราบล่วงหน้า
- ข้อมูลจำเพาะอาจแตกต่างกันไปในแต่ละประเทศ
- นำหน้าออกวางแตกต่างกันไปตามอุปกรณ์เสริม รวมถึงตลับแบตเตอรี่ การติดอุปกรณ์เสริมที่เบาที่สุดและหนักที่สุดตามข้อบังคับของ EPTA 01/2014 มีแสดงอยู่ในตาราง

ตลับแบตเตอรี่และเครื่องชาร์จที่ใช้ได้

ตลับแบตเตอรี่	BL4020 / BL4025 / BL4040* / BL4050F* * : แบตเตอรี่ที่แนะนำ
เครื่องชาร์จ	DC40RA / DC40RB / DC40RC

- ตลับแบตเตอรี่และเครื่องชาร์จบางรายการที่แสดงอยู่ด้านบนอาจไม่มีวางจำหน่ายขึ้นอยู่กับภูมิภาคที่คุณอาศัยอยู่

**คำเตือน:** ใช้ตลับแบตเตอรี่และเครื่องชาร์จที่ระบุไว้ข้างบนเท่านั้น การใช้ตลับแบตเตอรี่และเครื่องชาร์จประเภทอื่นอาจก่อให้เกิดความเสี่ยงที่จะได้รับบาดเจ็บและ/หรือเกิดไฟไหม้

**สัญลักษณ์**

ต่อไปนี้เป็นสัญลักษณ์ที่อาจใช้สำหรับอุปกรณ์ โปรดศึกษาความหมายของสัญลักษณ์ให้เข้าใจก่อนการใช้งาน



อ่านคู่มือการใช้งาน



สวมแว่นตานิรภัย



เพื่อป้องกันการบาดเจ็บจากเศษวัสดุ กระเด็น ให้ถือเลื่อยให้ห้อยต่ำเสมอทั้งเมื่อตัดเสร็จจนกระทั่งใบเลื่อยหยุดสนิท



เมื่อทำการตัดมุมเฉียง ให้หมุนปุมหมุนทวนเข็มนาฬิกา ก่อน แล้วค่อยเอียงโครงยก หลังจากนั้นให้หมุนปุมหมุนตามเข็มนาฬิกาเพื่อขึ้นแนบ



เมื่อทำการตัดสลัด ขึ้นแรกให้ดึงแครงจนสุดและกดตามจับลง แล้วจึงดันแครงไปทางด้านหน้า



กดปุมปล่อยค้ำไว้ขณะเอียงโครงยกไปทางขวา



เชื่อมต่อก้านสตอปเปอร์เมื่อทำการตัดแผ่นรองฐานที่องศามุมมาก 45°



อย่านำมือหรือนิ้วไปใกล้ใบเลื่อย



อย่าจ้องดวงไฟที่กำลังทำงานอยู่



A: เส้นผ่านศูนย์กลางใบเลื่อย  
B: เส้นผ่านศูนย์กลางของรู



อย่าติดตั้งตัวหนีบแนวนอนในทิศทางเดียวกันกับการตัดมุมมาก (สัญลักษณ์นี้ใช้กับตัวหนีบแนวนอน)

สำหรับประเทศในสหภาพยุโรปเท่านั้น เนื่องจากในอุปกรณ์มีส่วนประกอบอันตราย ชะยะจำพวกอุปกรณ์ไฟฟ้า และอิเล็กทรอนิกส์ แบตเตอรี่ และหม้อแปลงหรือเครื่องจักรอาจส่งผลกระทบต่อสิ่งแวดล้อมและสุขภาพของมนุษย์ในเชิงลบ อย่างไรก็ตามการใช้ไฟฟ้าและอิเล็กทรอนิกส์หรือแบตเตอรี่ร่วมกับวัสดุเหลือทิ้งในครัวเรือน!

เพื่อให้เป็นไปตามกฎระเบียบของยุโรปว่าด้วยชะยะจำพวกอุปกรณ์ไฟฟ้าและอิเล็กทรอนิกส์ และหม้อแปลงไฟฟ้าและแบตเตอรี่ รวมถึงการบังคับใช้ตามกฎหมายภายในประเทศ ควรมีการจัดเก็บชะยะจำพวกอุปกรณ์ไฟฟ้า แบตเตอรี่ และหม้อแปลงไฟฟ้าแยกต่างหากและส่งไปยังจุดรับชะยะต่างหากในเขตเทศบาลซึ่งมีการดำเนินการตามระเบียบว่าด้วยการดูแลสิ่งแวดล้อม โดยระบุด้วยสัญลักษณ์เส้นคาดขวางรูปถังชะยะแบบมีล้อไว้บนอุปกรณ์

## จุดประสงค์การใช้งาน

เครื่องมือนี้จุดประสงค์เมื่อการตัดไม้แบบตรงและแบบงาได้อย่างเที่ยงตรง

อย่าใช้เลื่อยเพื่อตัดสิ่งอื่นๆ นอกจากไม้ อลูมิเนียม หรือวัสดุที่มีลักษณะเดียวกัน

## คำเตือนด้านความปลอดภัย

### คำเตือนด้านความปลอดภัยของเครื่องมือไฟฟ้าทั่วไป

**⚠ คำเตือน:** โปรดอ่านคำเตือนด้านความปลอดภัย คำแนะนำ ภาพประกอบ และข้อมูลจำเพาะต่างๆ ที่มากับเครื่องมือไฟฟ้านี้อย่างละเอียด การไม่ปฏิบัติตามคำแนะนำดังต่อไปนี้อาจส่งผลให้เกิดไฟฟ้าช็อต ไฟไหม้ และ/หรือได้รับบาดเจ็บอย่างร้ายแรงได้

## เก็บรักษาคำเตือนและคำแนะนำทั้งหมดไว้เป็นข้อมูลอ้างอิงในอนาคต

คำว่า “เครื่องมือไฟฟ้า” ในคำเตือนนี้หมายถึงเครื่องมือไฟฟ้า (มีสาย) ที่ทำงานโดยใช้กระแสไฟฟ้าหรือเครื่องมือไฟฟ้า (ไร้สาย) ที่ทำงานโดยใช้แบตเตอรี่

## ความปลอดภัยของพื้นที่ทำงาน

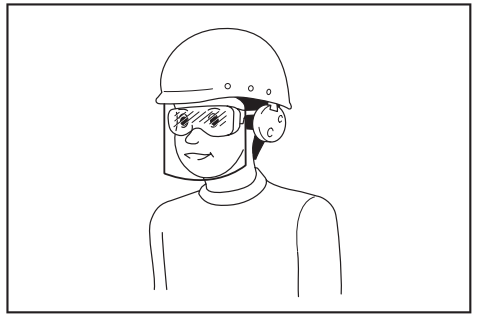
1. ดูแลพื้นที่ทำงานให้มีความสะอาดและมีแสงไฟสว่าง พื้นที่ที่รกระเกะระกะหรือมีที่บอบกนำไปสู่การเกิดอุบัติเหตุได้
2. อย่าใช้งานเครื่องมือไฟฟ้าในสภาพที่อาจเกิดการระเบิด เช่น ในสถานที่ที่มีของเหลว ก๊าซ หรือฝุ่นผงที่มีคุณสมบัติไวไฟ เครื่องมือไฟฟ้าอาจสร้างประกายไฟและจุดชนวนฝุ่นผงหรือก๊าซดังกล่าว
3. ดูแลไม่ให้มีเด็กหรือบุคคลอื่นอยู่ในบริเวณที่กำลังใช้เครื่องมือไฟฟ้า การมีสิ่งรบกวนสมาธิอาจทำให้คุณสูญเสียการควบคุม

## ความปลอดภัยด้านไฟฟ้า

1. ปลั๊กของเครื่องมือไฟฟ้าต้องพอดีกับเต้ารับ อย่าดัดแปลงปลั๊กไม่ว่ากรณีใดๆ อย่าใช้ปลั๊กอะแดปเตอร์กับเครื่องมือไฟฟ้าที่ต่อสายดิน ปลั๊กที่ไม่ถูกดัดแปลงและเต้ารับที่เข้ากันพอดีจะช่วยลดความเสี่ยงของการเกิดไฟฟ้าช็อต
2. ระวังอย่าให้ร่างกายสัมผัสกับพื้นผิวที่ต่อสายดิน เช่น ท่อ เครื่องนำความร้อน เตาฟุ้งต้ม และตู้เย็น มีความเสี่ยงที่จะเกิดไฟฟ้าช็อตสูงขึ้น หากร่างกายของคุณสัมผัสกับพื้น
3. อย่าให้เครื่องมือไฟฟ้าถูกน้ำหรืออยู่ในสภาพเปียกชื้น น้ำที่ไหลเข้าไปในเครื่องมือไฟฟ้าจะเพิ่มความเสี่ยงของการเกิดไฟฟ้าช็อต
4. อย่าใช้สายไฟอย่างไม่เหมาะสม อย่าใช้สายไฟเพื่อยก ดึง หรือถอดปลั๊กเครื่องมือไฟฟ้า เก็บสายไฟให้ห่างจากความร้อน น้ำมัน ของมีคม หรือชิ้นส่วนที่เคลื่อนที่ สายที่ชำรุดหรือพันกันจะเพิ่มความเสี่ยงของการเกิดไฟฟ้าช็อต
5. ขณะที่ใช้งานเครื่องมือไฟฟ้านอกอาคาร ควรใช้สายต่อพ่วงที่เหมาะสมกับงานภายนอกอาคาร การใช้สายที่เหมาะสมกับงานภายนอกอาคารจะลดความเสี่ยงของการเกิดไฟฟ้าช็อต
6. หากต้องใช้งานเครื่องมือไฟฟ้าในสถานที่เปียกชื้น ให้ใช้อุปกรณ์ป้องกันกระแสไฟรั่ว (RCD) การใช้ RCD จะลดความเสี่ยงของการเกิดไฟฟ้าช็อต
7. เครื่องมือไฟฟ้าอาจสร้างสนามแม่เหล็ก (EMF) ที่ไม่เป็นอันตรายต่อผู้ใช้ อย่างไรก็ตาม ผู้ใช้ที่ใส่เครื่องกระตุ้นหัวใจและอุปกรณ์ทางการแพทย์ที่คล้ายกันนี้ควรติดต่อผู้ผลิตอุปกรณ์และ/หรือแพทย์เพื่อรับคำแนะนำก่อนใช้งานเครื่องมือไฟฟ้านี้

## ความปลอดภัยส่วนบุคคล

1. ให้ระมัดระวังและมีสติอยู่เสมอขณะใช้งานเครื่องมือไฟฟ้า อย่าใช้งานเครื่องมือไฟฟ้าในขณะที่คุณกำลังเหนื่อย หรือในสภาพที่มึนเมาจากยาเสพติด เครื่องดื่ม แอลกอฮอล์ หรือการเข้ายา ชั่วขณะที่ขาดความระมัดระวังเมื่อกำลังใช้งานเครื่องมือไฟฟ้าอาจทำให้ได้รับบาดเจ็บร้ายแรง
2. ใช้อุปกรณ์ป้องกันส่วนบุคคล สวมแว่นตาป้องกันเสมอ อุปกรณ์ป้องกัน เช่น หน้ากากกันฝุ่น รองเท้านิรภัย กันลื่น หมวกนิรภัย หรือเครื่องป้องกันการได้ยินที่ใช้ในสภาพที่เหมาะสมจะช่วยลดการบาดเจ็บ
3. ป้องกันไม่ให้เกิดการเปิดใช้งานโดยไม่ตั้งใจ ตรวจสอบให้แน่ใจว่าสวิตช์ปิดอยู่ก่อนที่จะเชื่อมต่อกับแหล่งจ่ายไฟ และ/หรือชุดแบตเตอรี่ รวมทั้งตรวจสอบก่อนการยกหรือเคลื่อนย้ายเครื่องมือ การถอดนิ้วมือบริเวณสวิตช์เพื่อถ่วงเครื่องมือไฟฟ้า หรือการชาร์จไฟเครื่องมือไฟฟ้าในขณะที่เปิดสวิตช์อยู่อาจนำไปสู่การเกิดอุบัติเหตุ
4. นำกุญแจปรับตั้งหรือประแจออกก่อนที่จะเปิดเครื่องมือไฟฟ้า ประแจหรือกุญแจที่เสียบค้างอยู่ในชิ้นส่วนที่หมุนได้ของเครื่องมือไฟฟ้าอาจทำให้ได้รับบาดเจ็บ
5. อย่าทำงานในระยงที่สุดอ้อม จัดท่าการยืนและการทรงตัวให้เหมาะสมตลอดเวลา เพราะจะทำให้ควบคุมเครื่องมือไฟฟ้าได้ดีขึ้นในสถานการณ์ที่ไม่คาดคิด
6. แต่งกายให้เหมาะสม อย่าสวมเครื่องแต่งกายที่หลวมเกินไป หรือสวมเครื่องประดับ ดูแลไม่ให้เส้นผมและเสื้อผ้าอยู่ใกล้ชิ้นส่วนที่เคลื่อนที่ เสื้อผ้ารุ่มร่าม เครื่องประดับ หรือผมที่มีความยาวอาจเข้าไปติดในชิ้นส่วนที่เคลื่อนที่
7. หากมีการจัดอุปกรณ์สำหรับดูดและจับฝุ่นไว้ในสถานที่ ให้ตรวจสอบว่าได้เชื่อมต่อและใช้งานอุปกรณ์นั้นอย่างเหมาะสม การใช้เครื่องดูดและจับฝุ่นจะช่วยลดอันตรายที่เกิดจากฝุ่นผงได้
8. อย่าให้ความดันเคຍจากการใช้งานเครื่องมือเป็นประจำทำให้คุณทำตัวตามสบายและละเลยหลักการเพื่อความปลอดภัยในการใช้เครื่องมือ การกระทำที่ไม่ระมัดระวังอาจทำให้เกิดการบาดเจ็บร้ายแรงภายในเสี้ยววินาที
9. สวมใส่แว่นครอบตานิรภัยเพื่อปกป้องดวงตาของคุณจากการบาดเจ็บเมื่อใช้เครื่องมือไฟฟ้า แว่นครอบตาจะต้องได้มาตรฐาน ANSI Z87.1 ในสหรัฐอเมริกา, EN 166 ในยุโรป หรือ AS/NZS 1336 ในออสเตรเลีย/นิวซีแลนด์ ในออสเตรเลีย/นิวซีแลนด์ จะต้องสวมเกราะป้องกันใบหน้าเพื่อปกป้องใบหน้าของคุณอย่างถูกต้องตามกฎหมายด้วย



ผู้ว่าจ้างมีหน้าที่รับผิดชอบในการบังคับผู้ใช้งานเครื่องมือและบุคคลอื่นๆ ที่อยู่ในบริเวณที่ปฏิบัติงานให้ใช้อุปกรณ์ป้องกันที่เหมาะสม

## การใช้และดูแลเครื่องมือไฟฟ้า

1. อย่าฝืนใช้เครื่องมือไฟฟ้า ใช้เครื่องมือไฟฟ้าที่เหมาะสมกับการใช้งานของคุณ เครื่องมือไฟฟ้าที่เหมาะสมจะทำให้ได้งานที่มีประสิทธิภาพและปลอดภัยกว่าตามขีดความสามารถของเครื่องที่ได้รับการออกแบบมา
2. อย่าใช้เครื่องมือไฟฟ้า หากสวิตช์ไม่สามารถเปิดปิดได้ เครื่องมือไฟฟ้าที่ควบคุมด้วยสวิตช์ไม่ได้เป็นสิ่งอันตรายและต้องได้รับการซ่อมแซม
3. ถอดปลั๊กจากแหล่งจ่ายไฟ และ/หรือชุดแบตเตอรี่ออกจากเครื่องมือไฟฟ้าก่อนทำการปรับตั้ง เปลี่ยนอุปกรณ์เสริม หรือจัดเก็บเครื่องมือไฟฟ้า วิธีการป้องกันด้านความปลอดภัยดังกล่าวจะช่วยลดความเสี่ยงในการเปิดใช้งานเครื่องมือไฟฟ้าโดยไม่ตั้งใจ
4. จัดเก็บเครื่องมือไฟฟ้าที่ไม่ได้ใช้งานให้ห่างจากมือเด็ก และอย่าอนุญาตให้บุคคลที่ไม่คุ้นเคยกับเครื่องมือไฟฟ้าหรือคำแนะนำเหล่านี้ใช้งานเครื่องมือไฟฟ้า เครื่องมือไฟฟ้าจะเป็นอันตรายเมื่ออยู่ในมือของผู้ที่ไม่ได้รับการฝึกอบรม
5. บำรุงรักษาเครื่องมือไฟฟ้าและอุปกรณ์เสริม ตรวจสอบการประกอบที่ไม่ถูกต้องหรือการเชื่อมต่อของชิ้นส่วนที่เคลื่อนที่ การแตกหักของชิ้นส่วน หรือสภาพอื่นๆ ที่อาจส่งผลกระทบต่อการทำงานของเครื่องมือไฟฟ้า หากมีความเสียหายให้นำเครื่องมือไฟฟ้าไปซ่อมแซมก่อนการใช้งาน อุบัติเหตุจำนวนมากเกิดจากการดูแลรักษาเครื่องมือไฟฟ้าอย่างไม่ถูกต้อง
6. ทำความสะอาดเครื่องมือตัดและลับให้คมอยู่เสมอ เครื่องมือการตัดที่มีการดูแลอย่างถูกต้องและมีขอบการตัดคมมักจะมีปัญหาตัดชิ้นน้อยและควบคุมได้ง่ายกว่า

- ใช้เครื่องมือไฟฟ้า อุปกรณ์เสริม และวัสดุสิ้นเปลือง ฯลฯ ตามคำแนะนำดังกล่าว พิจารณาสภาพการทำงานและงานที่จะลงมือทำ การใช้เครื่องมือไฟฟ้าเพื่อทำงานอื่นนอกเหนือจากที่กำหนดไว้อาจทำให้เกิดอันตราย
- ดูแลมือจับและบริเวณมือจับให้แห้ง สะอาด และไม่มีความชื้นและจาระบีเปื้อน มือจับและบริเวณมือจับที่ลื่นจะทำให้ไม่สามารถจับและควบคุมเครื่องมือได้อย่างปลอดภัยในสถานการณ์ที่ไม่คาดคิด
- ขณะใช้งานเครื่องมือ อย่าสวมใส่ถุงมือผ้าที่อาจเข้าไปติดในเครื่องมือได้ หากถุงมือผ้าเข้าไปติดในชิ้นส่วนที่กำลังเคลื่อนที่อยู่อาจทำให้ได้รับบาดเจ็บ

#### การใช้งานและดูแลเครื่องมือที่ใช้แบตเตอรี่

- ชาร์จไฟใหม่ด้วยเครื่องชาร์จที่ระบุโดยผู้ผลิตเท่านั้น เครื่องชาร์จที่เหมาะสมสำหรับชุดแบตเตอรี่ประเภทหนึ่งอาจเสี่ยงที่จะเกิดไฟไหม้หากนำไปใช้กับชุดแบตเตอรี่อีกประเภทหนึ่ง
- ใช้เครื่องมือไฟฟ้ากับชุดแบตเตอรี่ที่กำหนดมาโดยเฉพาะเท่านั้น การใช้ชุดแบตเตอรี่ประเภทอื่นอาจทำให้เสี่ยงที่จะได้รับบาดเจ็บและเกิดไฟไหม้
- เมื่อไม่ใช้งานชุดแบตเตอรี่ ให้เก็บห่างจากวัตถุที่เป็นโลหะอื่นๆ เช่น คลิปหนีบกระดาษ เหรียญ กุญแจ กรรไกรตัดเล็บ สกรู หรือวัตถุที่เป็นโลหะขนาดเล็กอื่นๆ ที่สามารถเชื่อมต่อชั่วคราวกับอีกขั้วหนึ่งได้ การลัดวงจรขั้วแบตเตอรี่อาจทำให้อุปกรณ์จัดหรือเกิดไฟไหม้
- ในกรณีที่ใช้งานไม่ถูกต้อง อาจมีของเหลวไหลออกจากแบตเตอรี่ ให้หลีกเลี่ยงการสัมผัส หากสัมผัสโดนของเหลวโดยไม่ตั้งใจ ให้ล้างออกด้วยน้ำ หากของเหลวกระเด็นเข้าตา ให้รีบไปพบแพทย์ ของเหลวที่ไหลออกจากแบตเตอรี่อาจทำให้ผิวหนังระคายเคืองหรือไหม้
- ห้ามใช้ชุดแบตเตอรี่หรือเครื่องมือที่ชำรุดหรือมีการแก้ไข แบตเตอรี่ที่เสียหายหรือมีการแก้ไขอาจทำให้เกิดสิ่งที่คาดไม่ถึงได้ เช่น ไฟไหม้ ระเบิด หรือเสี่ยงต่อการบาดเจ็บ
- ห้ามใช้ชุดแบตเตอรี่อยู่ใกล้ไฟ หรือบริเวณที่มีอุณหภูมิสูงเกิน หากโดนไฟ หรืออุณหภูมิสูงเกิน 130 °C อาจก่อให้เกิดการระเบิดได้
- กรุณาปฏิบัติตามคำแนะนำสำหรับการชาร์จไฟ และห้ามชาร์จแบตเตอรี่หรือเครื่องมือในบริเวณที่มีอุณหภูมิออกเหนือไปจากที่ระบุในคำแนะนำ การชาร์จไฟที่ไม่เหมาะสม หรืออุณหภูมิออกเหนือไปจากช่วงอุณหภูมิที่ระบุในคำแนะนำอาจทำให้แบตเตอรี่เสียหายและเป็นการเพิ่มความเสี่ยงในการเกิดไฟไหม้

#### การซ่อมบำรุง

- นำเครื่องมือไฟฟ้าเข้ารับบริการจากช่างซ่อมที่ผ่านการรับรองโดยช่างผู้เชี่ยวชาญเท่านั้น เพราะจะทำให้การใช้เครื่องมือไฟฟ้ามีความปลอดภัย
- ห้ามใช้ชุดแบตเตอรี่ที่เสียหาย ชุดแบตเตอรี่ที่ชำรุดเป็นชุดที่มาจากผู้ผลิต หรือผู้ให้บริการที่ได้รับอนุญาตเท่านั้น
- ปฏิบัติตามคำแนะนำในการหล่อลื่นและการเปลี่ยนอุปกรณ์เสริม

### คำแนะนำเพื่อความปลอดภัยสำหรับเครื่องเลื่อยวงศาแบบสไลด์

- เครื่องเลื่อยวงศาแบบสไลด์ใช้สำหรับตัดไม้หรือวัสดุที่คล้ายไม้ ไม่สามารถใช้กับล้อตัดแบบขัดสำหรับตัดวัสดุประเภทเหล็ก เช่น แท่งโลหะ ก้านโลหะ สลัก ฯลฯ ผู้ประกอบการจัดทำให้ชิ้นส่วนหมุน เช่น ที่ป้องกันด้านล่าง ดัดขัด ประกายไฟจากการตัดโดยการขัดจะทำให้ที่ป้องกันด้านล่าง ช่องร่องตัด และชิ้นส่วนพลาสติกอื่นๆ ไหม้
- ใช้ที่หนีบยึดจับชิ้นงานเสมอ ถ้าจับชิ้นงานด้วยมือ ต้องให้มืออยู่ห่างจากใบเลื่อยแต่ละด้านอย่างน้อย 100 mm อย่าใช้เลื่อยนี้ตัดชิ้นงานที่มีขนาดเล็กเกินไปที่จะจับให้แน่นด้วยที่หนีบหรือจับด้วยมือ ถ้าวงมือใกล้ใบเลื่อยเกินไป อาจเพิ่มความเสี่ยงที่จะได้รับบาดเจ็บจากการสัมผัสใบเลื่อย
- ชิ้นงานจะต้องมีความมั่นคง และยึดจับหรือประคองให้ชิดกับฉากกันและโต๊ะ อย่างน้อยชิ้นงานเข้าไปในใบเลื่อยหรือตัด "ด้วยมือเปล่า" ไม่ว่าวิธีใดก็ตาม ชิ้นงานที่ไม่มั่นคงหรือเคลื่อนที่ไปมาอาจเหวี่ยงออกด้วยความเร็วสูงซึ่งทำให้ได้รับบาดเจ็บได้
- ดันเลื่อยออกจากตัวเพื่อตัดผ่านชิ้นงาน อย่าดึงเลื่อยเข้าหาตัวเพื่อตัดผ่านชิ้นงาน วิธีการตัด ให้ยกหัวเลื่อยและดึงขึ้นเหนือชิ้นงานโดยยังไม่ทำการตัด เปิดมอเตอร์ กดหัวเลื่อยลงและดันเลื่อยออกจากตัวเพื่อตัดผ่านชิ้นงาน การตัดโดยการดึงเข้ามีแนวโน้มที่จะทำให้ใบเลื่อยเป็นชิ้นบนชิ้นงานและเหวี่ยงส่วนประกอบใบเลื่อยเข้าหาผู้ปฏิบัติงานอย่างรุนแรง
- อย่าวางมือพาดบนแนวการตัดไม่ว่าจะด้านหน้าหรือด้านหลังใบเลื่อย การจับชิ้นงานแบบ "วางมือพาด" เช่น การจับชิ้นงานให้ตรงกับใบเลื่อยด้วยมือซ้ายหรือมือขวาก็ตามนั้นอันตรายมาก

#### ► หมายเลข 1

6. ยายนำมือเข้าใกล้ด้านหลังฉากกันเกินกว่า 100 mm จากทั้งสองด้านของใบเลื่อยเพื่อนำเศษไม้ออก หรือเพื่อเหตุผลอื่นๆ ในขณะที่ใบเลื่อยยังหมุนอยู่ ใบเลื่อยอาจหมุนเข้าใกล้มือของคุณโดยไม่รู้ตัวและอาจทำให้คุณได้รับบาดเจ็บสาหัสได้
7. ตรวจสอบชิ้นงานก่อนการตัด ถ้าชิ้นงานโค้งหรือเอียงให้ยึดโดยให้ส่วนโค้งด้านนอกหันเข้าหาฉากกัน ตรวจสอบให้แน่ใจเสมอว่าไม่มีช่องว่างระหว่างชิ้นงาน ฉากกัน และโต๊ะตลอดแนวการตัด ชิ้นงานที่โค้งหรือเอียงอาจบิดหรือเคลื่อนที่ และอาจทำให้ใบเลื่อยที่กำลังหมุนติดขณะตัด ไม่ควรมีตะปูหรือวัตถุแปลกปลอมในชิ้นงาน
8. อย่าใช้งานเลื่อยจนกว่าจะนำเครื่องมือ เศษไม้ ฯลฯ ออกจากบนโต๊ะให้หมด และเหลือเฉพาะชิ้นงาน เศษวัสดุชิ้นเล็กๆ หรือชิ้นส่วนของไม้หรือวัตถุอื่นๆ ที่สัมผัสกับใบเลื่อยที่กำลังหมุนอาจถูกเหวี่ยงออกด้วยความเร็วสูง
9. ดัดชิ้นงานเพียงครั้งละชิ้นเท่านั้น ชิ้นงานที่วางซ้อนกันหลายชิ้นอาจทำให้ไม่สามารถจับหรือยึดได้ดีพอ และอาจเข้าไปติดกับใบเลื่อยหรือเคลื่อนที่ขณะตัด
10. ตรวจสอบให้แน่ใจว่าติดตั้งหรือวางเครื่องเลื่อยของคาแบบสไลด์บนพื้นผิวสำหรับการทำงานที่ราบเรียบและมั่นคงก่อนใช้งาน พื้นผิวสำหรับการทำงานที่ราบเรียบและมั่นคงช่วยลดความเสี่ยงที่เครื่องเลื่อยของคาแบบสไลด์จะโยกคลอน
11. วางแผนการทำงาน ทุกครั้งที่คุณเปลี่ยนการตั้งค่าองศามุมเอียงหรือมุมบาก ตรวจสอบให้แน่ใจว่าได้ปรับตั้งฉากกันแบบปรับได้เพื่อรองรับชิ้นงานอย่างถูกต้องแล้ว และจะไม่กีดขวางใบเลื่อยหรือระบบป้องกันก่อน "เปิด" เครื่องมือและวางชิ้นงานบนโต๊ะ ให้ลองเลื่อนใบเลื่อยจำลองการตัด เพื่อตรวจสอบให้แน่ใจว่าจะไม่มีการกีดขวางหรืออันตรายจากการตัดโดนฉากกัน
12. จัดเตรียมที่รองให้เพียงพอ เช่น โต๊ะต่อ ม้าตั้ง ฯลฯ สำหรับชิ้นงานที่มีขนาดกว้างกว่าหรือยาวกว่าหน้าโต๊ะ ชิ้นงานที่มีขนาดยาวกว่าหรือกว้างกว่าโต๊ะวางเครื่องเลื่อยของคาแบบสไลด์อาจจะคว่ำลงมาได้ถ้าไม่รองอย่างดี ถ้าชิ้นส่วนที่ตัดแล้วหรือชิ้นงานคว่ำลงมา อาจทำให้ที่ป้องกันด้านล่างยกขึ้นหรือถูกใบเลื่อยที่หมุนอยู่เหวี่ยงออกมา
13. อย่าให้บุคคลอื่นรองรับชิ้นงานแทนโต๊ะต่อหรือรองรับเพิ่มจากโต๊ะต่อ การรองรับชิ้นงานที่ไม่มั่นคงอาจทำให้ใบเลื่อยติดขัดหรือชิ้นงานเคลื่อนที่ระหว่างดำเนินการตัดซึ่งจะดึงคุณและผู้ช่วยเข้าหาใบเลื่อยที่กำลังหมุนอยู่
14. ชิ้นส่วนที่ตัดแล้วจะต้องไม่เข้าไปติดหรือติดกับใบเลื่อยที่กำลังหมุนอยู่เด็ดขาด ถ้ามีการจำกัด เช่น การใช้เครื่องกำหนดความยาว ชิ้นส่วนที่ตัดอาจถูกบีบอัดกับใบเลื่อยและถูกเหวี่ยงออกอย่างรวดเร็ว
15. ใช้ที่หนีบหรือที่ยึดที่ออกแบบมาเพื่อจับยึดวัสดุทรงกลมเช่น แท่งเหล็กหรือท่อ โดยเฉพาะเสมอ มีแนวโน้มว่าแท่งเหล็กอาจหมุนขณะกำลังตัดซึ่งจะทำให้ใบเลื่อย "ติด" และดึงชิ้นงานและมือของคุณเข้าไปในใบเลื่อยได้
16. ปลดปล่อยใบเลื่อยหมุนที่ความเร็วสูงสุดก่อนสัมผัสกับชิ้นงาน ซึ่งจะช่วยลดความเสี่ยงที่ชิ้นงานจะถูกเหวี่ยงออก
17. ถ้าชิ้นงานหรือใบเลื่อยติด ให้ปิดเครื่องเลื่อยของคา รอจนกระทั่งชิ้นส่วนที่หมุนหยุดและถอดปลั๊กจากแหล่งจ่ายไฟ และ/หรือ ถอดชุดแบตเตอรี่ออก จากนั้นจัดการนำวัสดุที่ติดใบเลื่อยออก การเลื่อยต่อในขณะที่มีชิ้นงานติดอยู่อาจทำให้เสียการควบคุมหรือทำให้เครื่องเลื่อยของคาเสียหายได้
18. หลังตัดเสร็จแล้ว ให้ปล่อยสวิตช์ กดหัวเลื่อยลง และรอจนกระทั่งใบเลื่อยหยุดหมุนก่อนที่จะนำชิ้นส่วนที่ตัดแล้วออกมา การนำมือเข้าใกล้ใบเลื่อยที่กำลังหมุนเป็นอันตราย
19. ให้จับมือจับให้แน่นเมื่อทำการตัดที่ยังไม่สมบูรณ์ หรือเมื่อปล่อยสวิตช์ก่อนที่หัวเลื่อยจะอยู่ในตำแหน่งลง การหยุดการทำงานของเลื่อยอาจทำให้หัวเลื่อยถูกดึงลงด้านล่างกะทันหันซึ่งมีความเสี่ยงที่จะทำให้ได้รับบาดเจ็บได้
20. ใช้ใบเลื่อยที่มีเส้นผ่านศูนย์กลางตามที่ทำเครื่องหมายไว้บนเครื่องมือหรือระบุไว้ในคู่มือเท่านั้น การใช้ใบเลื่อยที่มีขนาดไม่ถูกต้องอาจส่งผลกระทบต่อป้องกันใบเลื่อยอย่างเหมาะสมหรือการทำงานของอุปกรณ์ป้องกันซึ่งอาจส่งผลให้เกิดการบาดเจ็บร้ายแรง
21. ใช้ใบเลื่อยที่มีความเร็วที่กำหนดบนใบเลื่อยเท่ากับหรือมากกว่าความเร็วที่กำหนดบนเครื่องมือเท่านั้น
22. อย่าใช้เลื่อยเพื่อตัดสิ่งอื่นๆ นอกจากไม้ อะลูมิเนียมหรือวัสดุที่มีลักษณะเดียวกัน
23. (สำหรับประเทศในยุโรปเท่านั้น)  
ใช้ใบเลื่อยที่สอดคล้องตามมาตรฐาน EN847-1 เสมอ

#### คำแนะนำเพิ่มเติม

1. ลือคฤกษ์แจห้องปฏิบัติงานเพื่อกันเด็กเข้า
2. ยายับนบนเครื่องมือเด็ดขาด หากเครื่องมือล้มลงหรือสัมผัสกับเครื่องมือตัดโดยไม่ตั้งใจอาจทำให้ได้รับบาดเจ็บสาหัสได้

3. อย่าปล่อยให้เครื่องมือทำงานโดยไม่มีผู้ดูแลเด็ดขาด ปิดเครื่อง อย่าปล่อยให้เครื่องมือทิ้งไว้จนกว่าเครื่องมือจะหยุดทำงานสนิท
4. อย่าใช้เสื้อผ้าที่ป้องกันไม่อยู่กับที่ ตรวจสอบให้ที่ป้องกันใบเลื่อยปิดอยู่ในตำแหน่งที่เหมาะสมก่อนการใช้งานทุกครั้ง อย่าใช้งานเลื่อยหากที่ป้องกันใบเลื่อยไม่สามารถเคลื่อนที่ได้อย่างอิสระและเปิดในทันที อย่าหนีบหรือผูกที่ป้องกันใบเลื่อยไว้ในตำแหน่งเปิดค้างไว้
5. อย่าเอามือไปไว้ในแนวใบเลื่อย ระวังอย่าสัมผัสใบเลื่อยที่กำลังหมุนอยู่ เนื่องจากอาจทำให้ได้รับบาดเจ็บสาหัสได้
6. เพื่อลดความเสี่ยงจากการบาดเจ็บ ให้นำโครงยกกลับไปที่ตำแหน่งหลังสุดหลังการตัดแต่ละครั้ง
7. ยึดส่วนที่เคลื่อนที่ได้ทั้งหมดก่อนยกเครื่องมือ
8. เชื่อมต่อบอร์ดหรือก้านสตอปเปอร์ซึ่งล็อกหัวเลื่อยลงมิไว้สำหรับการเคลื่อนย้ายและการจัดเก็บเท่านั้น และไม่ได้มีไว้สำหรับการทำงานตัด
9. ตรวจสอบใบเลื่อยอย่างละเอียดเพื่อหารอยแตกหรือความเสียหายก่อนที่จะใช้งาน เปลี่ยนใบเลื่อยที่ร้าวหรือเสียหายทันที ยางไม้เหนียวและยางที่แข็งตัวอยู่บนใบเลื่อยจะทำให้เลื่อยหมุนช้าลงและเพิ่มโอกาสในการติดกลับ รักษาความสะอาดของใบเลื่อยโดยเริ่มจากถอดใบเลื่อยออกจากเครื่องมือ แล้วทำความสะอาดด้วยน้ำยากำจัดยางไม้ น้ำร้อน หรือน้ำมันก๊าด ห้ามใช้น้ำมันเชื้อเพลิงในการทำความสะอาดใบเลื่อยเด็ดขาด
10. ในขณะที่การตัดแบบเฉียง อาจเกิดการติดกลับ การติดกลับจะเกิดขึ้นเมื่อใบเลื่อยติดอยู่กับชิ้นงานระหว่างทำการตัด ใบเลื่อยจะถูกขยับเคลื่อนพุ่งเข้าหาผู้ปฏิบัติงานอย่างรวดเร็ว ซึ่งอาจทำให้สูญเสียการควบคุมและได้รับบาดเจ็บสาหัสได้ หากใบเลื่อยติดระหว่างทำการตัด อย่าพยายามตัดต่อและให้ปล่อยสวิตช์ทันที
11. ใช้แต่แกนสำหรับเครื่องมือนี้เท่านั้น
12. ระวังอย่าให้เหล่าเลื่อย หนีบแปลน (โดยเฉพาะอย่างยิ่งการติดตั้ง) หรือสลักเกลียวเสียหาย หากส่วนต่างๆ เหล่านี้เสียหายอาจเป็นสาเหตุให้ใบเลื่อยเสียหายได้
13. ตรวจสอบให้แน่ใจว่าได้ยึดฐานหมุนอย่างแน่นหนา เพื่อให้ไม่เคลื่อนที่ในระหว่างการทำงาน ใช้รูที่ฐานเครื่องเพื่อยึดเลื่อยกับแท่นทำงานหรือผนังที่มั่นคง ห้ามใช้เครื่องมือโดยที่ผู้ปฏิบัติงานอยู่ในตำแหน่งที่ทำงานไม่ถนัด
14. ตรวจสอบให้แน่ใจว่าได้ปล่อยล็อกก้านก่อนที่จะเปิดสวิตช์
15. โปรดตรวจสอบให้แน่ใจว่าใบเลื่อยไม่สัมผัสกับฐานหมุนในจุดที่ต่ำที่สุด

16. จับมือจับให้แน่น โปรดระมัดระวังเนื่องจากใบเลื่อยจะเคลื่อนขึ้นหรือลงเล็กน้อยในระหว่างที่เริ่มและหยุดทำงาน
17. ตรวจสอบให้แน่ใจว่าใบเลื่อยนั้นไม่ได้สัมผัสกับชิ้นงานก่อนที่จะเปิดสวิตช์
18. ก่อนที่จะใช้เครื่องมือบนชิ้นงานจริง ปล่อยให้เครื่องมือทำงานเปล่าๆ สักครู่ ดูการสั่นสะเทือนหรือการคลอนแคลนที่อาจแสดงถึงการใส่และการให้สมดุลใบเลื่อยที่ไม่ดีพอ
19. หยุดทำงานทันทีหากคุณพบว่ามึนงงหรือปวด
20. อย่าพยายามล็อกสวิตช์สั่งงานให้อยู่ในตำแหน่ง “เปิด”
21. ใช้แต่อุปกรณ์เสริมที่แนะนำในคู่มือการใช้งานนี้เท่านั้น การใช้อุปกรณ์เสริมที่ไม่เหมาะสม เช่น วงล้อแบบขัด อาจทำให้ได้รับบาดเจ็บได้
22. วัสดุบางอย่างอาจมีสารเคมีที่เป็นพิษ ระวังอย่าสูดดมฝุ่นหรือสัมผัสกับผิวหนัง ปฏิบัติตามข้อมูลด้านความปลอดภัยของผู้ผลิตวัสดุ
23. อย่าใช้แหล่งจ่ายไฟสายพ่วงกับเครื่องมือนี้

กฎเพิ่มเติมด้านความปลอดภัยสำหรับดวงไฟที่กำลังทำงานอยู่

1. อย่ามองเข้าไปในดวงไฟหรือจ้องดูแหล่งกำเนิดแสงโดยตรง

## ปฏิบัติตามคำแนะนำเหล่านี้

**⚠ คำเตือน:** อย่าให้ความไม่ระมัดระวังหรือความคุ้นเคยกับผลิตภัณฑ์ (จากการใช้งานซ้ำหลายครั้ง) อยู่เหนือการปฏิบัติตามกฎเกณฑ์ด้านความปลอดภัยในการใช้งาน ผลิตภัณฑ์อย่างเคร่งครัด การใช้งานอย่างไม่เหมาะสมหรือการไม่ปฏิบัติตามกฎเกณฑ์ด้านความปลอดภัยในคู่มือการใช้งานนี้อาจทำให้ได้รับบาดเจ็บร้ายแรง

## คำแนะนำเพื่อความปลอดภัยที่สำคัญสำหรับดัลลิบแบตเตอรี่

1. ก่อนใช้งานดัลลิบแบตเตอรี่ ให้อ่านคำแนะนำและเครื่องหมายเตือนทั้งหมดบน (1) เครื่องชาร์จ แบตเตอรี่ (2) แบตเตอรี่ และ (3) ตัวผลิตภัณฑ์ที่ใช้ แบตเตอรี่
2. อย่าถอดแยกชิ้นส่วนหรือทำการดัดแปลงดัลลิบแบตเตอรี่ เนื่องจากอาจทำให้เกิดไฟไหม้ ความร้อนที่สูงเกินไป หรือระเบิดได้
3. หากระยะเวลาที่เครื่องทำงานสั้นเกินไป ให้หยุดใช้งานทันที เนื่องจากอาจมีความเสี่ยงที่จะร้อนจัด ไหม้หรือระเบิดได้

4. หากสารละลายอิเล็กโทรไลต์กระเด็นเข้าตา ให้ล้างออกด้วยน้ำเปล่าและรีบไปพบแพทย์ทันที เนื่องจากอาจทำให้ตาบอด
5. ห้ามลัดวงจรตลับแบตเตอรี่:
  - (1) ห้ามแตะขั้วกับวัตถุที่เป็นสื่อนำไฟฟ้าใดๆ
  - (2) หลีกเลี่ยงการเก็บตลับแบตเตอรี่ไว้ในภาชนะร่วมกับวัตถุที่เป็นโลหะ เช่น กรรไกรตัดเล็บ เหรียญ ฯลฯ
  - (3) อย่าให้ตลับแบตเตอรี่ถูกน้ำหรือฝน แบตเตอรี่ลัดวงจรอาจทำให้เกิดการไหลของกระแสไฟฟ้า ร้อนจัดไหม้หรือเสียหายได้
6. ห้ามเก็บและใช้เครื่องมือและตลับแบตเตอรี่ไว้ในสถานที่ที่มีอุณหภูมิสูงถึงหรือเกิน 50 °C (122 °F)
7. ห้ามเผาตลับแบตเตอรี่ทิ้ง แม้ว่าแบตเตอรี่จะเสียหายจนใช้การไม่ได้หรือเสื่อมสภาพแล้ว ตลับแบตเตอรี่อาจจะระเบิดในกองไฟ
8. อย่าดองตะปู ตัด บด ข้าง หรือทำตลับแบตเตอรี่หล่นพื้น หรือกระแทกตลับแบตเตอรี่กับวัตถุของแข็ง การกระทำดังกล่าวอาจส่งผลให้เกิดไฟไหม้ ความร้อนที่สูงเกินไป หรือระเบิดได้
9. ห้ามใช้แบตเตอรี่ที่เสียหาย
10. แบตเตอรี่ที่เติมไอออนที่มีน้ำหนักเป็นไปตามข้อกำหนดของ Dangerous Goods Legislation สำหรับการขนส่งเพื่อการพาณิชย์ เช่น โดยบุคคลที่สาม ตัวแทนขนส่งสินค้า จะต้องตรวจสอบข้อกำหนดพิเศษในด้านการบรรจุหีบห่อหรือการติดป้ายสินค้าในการเตรียมสินค้าที่จะขนส่ง ให้ปรึกษาผู้เชี่ยวชาญด้านวัตถุอันตราย โปรดตรวจสอบข้อกำหนดในประเทศที่อาจมีรายละเอียดอื่นๆ เพิ่มเติม ให้ติดเทปหรือปิดหน้าสัมผัสและห่อแบตเตอรี่ในลักษณะที่แบตเตอรี่จะไม่เคลื่อนที่ไปมาในหีบห่อ

11. เมื่อกำจัดตลับแบตเตอรี่ ให้ถอดตลับแบตเตอรี่ออกจากเครื่องมือและกำจัดในสถานที่ที่ปลอดภัย ปฏิบัติตามข้อบังคับในท้องถิ่นที่เกี่ยวกับการกำจัดแบตเตอรี่
12. ใช้แบตเตอรี่กับผลิตภัณฑ์ที่ระบุโดย Makita เท่านั้น การติดตั้งแบตเตอรี่ในผลิตภัณฑ์ที่ไม่ใช่ตามที่ระบุอาจทำให้เกิดไฟไหม้ ความร้อนสูง ระเบิด หรืออิเล็กโทรไลต์รั่วไหลได้
13. หากไม่ใช่เครื่องมือเป็นระยะเวลานาน จะต้องถอดแบตเตอรี่ออกจากเครื่องมือ
14. ในระหว่างและหลังการใช้งาน ตลับแบตเตอรี่อาจร้อนซึ่งอาจลวกผิวหรือทำให้ผิวไหม้ที่อุณหภูมิต่ำได้ โปรดระมัดระวังในการจัดการกับแบตเตอรี่ที่ร้อน

15. อย่าสัมผัสขั้วของเครื่องมือทันทีหลังจากการใช้งาน เนื่องจากอาจมีความร้อนพอที่จะทำให้ผิวไหม้ได้
16. อย่าปล่อยให้เศษวัสดุ ฝุ่นผง หรือดินเข้าไปติดอยู่ในขั้ว รู และร่องของตลับแบตเตอรี่ เนื่องจากอาจทำให้เครื่องมือหรือตลับแบตเตอรี่ที่มีประสิทธิภาพลดลงหรือเสียหายได้
17. หากเครื่องมือไม่รองรับสายไฟแรงดันสูง อย่าใช้ตลับแบตเตอรี่ใกล้กับสายไฟแรงดันสูง เนื่องจากเครื่องมือหรือตลับแบตเตอรี่อาจทำงานผิดปกติหรือเสียหายได้
18. เก็บแบตเตอรี่ให้ห่างจากเด็ก

### ปฏิบัติตามคำแนะนำเหล่านี้

**⚠️ ข้อควรระวัง:** ใช้แบตเตอรี่ของแท้จาก Makita เท่านั้น การใช้แบตเตอรี่ Makita ที่ไม่แท้ หรือแบตเตอรี่ที่ถูกเปลี่ยน อาจทำให้แบตเตอรี่ระเบิด ก่อให้เกิดเพลิงลุกไหม้ การบาดเจ็บ และความเสียหายได้ และจะทำให้การรับประกันของ Makita สำหรับเครื่องมือและแท่นชาร์จของ Makita เป็นโมฆะด้วย

### เคล็ดลับในการรักษาอายุการใช้งานของแบตเตอรี่ให้ยาวนานที่สุด

1. ชาร์จตลับแบตเตอรี่ก่อนที่ไฟจะหมด หยุดการใช้งานแล้วชาร์จประจุไฟฟ้าใหม่ทุกครั้งเมื่อคุณรู้สึกว่าอุปกรณ์มีกำลังลดลง
2. อย่าชาร์จตลับแบตเตอรี่ที่มีไฟเต็มแล้ว การชาร์จประจุไฟฟ้ามากเกินไปอาจจะทำให้อายุการใช้งานของตลับแบตเตอรี่สั้นลง
3. ชาร์จประจุไฟฟ้าตลับแบตเตอรี่ในห้องที่มีอุณหภูมิระหว่าง 10 °C - 40 °C ปล่อยให้ตลับแบตเตอรี่เย็นลงก่อนที่จะชาร์จไฟ
4. เมื่อไม่ใช่ตลับแบตเตอรี่ ให้ถอดออกจากเครื่องมือหรือเครื่องชาร์จ
5. ชาร์จไฟตลับแบตเตอรี่หากคุณไม่ต้องการใช้เป็นเวลา (เกินกว่าหกเดือน)



## คำแนะนำด้านความปลอดภัยที่สำคัญสำหรับ อุปกรณ์รับส่งสัญญาณไร้สาย

1. อย่าถอดแยกชิ้นส่วนหรือปรับเปลี่ยนอุปกรณ์รับส่งสัญญาณไร้สาย
2. เก็บอุปกรณ์รับส่งสัญญาณไร้สายให้ห่างจากเด็กเล็ก หากเด็กกลืนอุปกรณ์เข้าไปโดยบังเอิญ โปรดพาไปพบแพทย์ทันที
3. ใช้อุปกรณ์รับส่งสัญญาณไร้สายกับเครื่องมือของ Makita เท่านั้น
4. อย่าให้อุปกรณ์รับส่งสัญญาณไร้สายถูกฝนหรืออยู่ในสภาพเปียกชื้น
5. อย่าให้อุปกรณ์รับส่งสัญญาณไร้สายในสถานที่ที่มีอุณหภูมิสูงกว่า 50°C
6. อย่าใช้งานอุปกรณ์รับส่งสัญญาณไร้สายในสถานที่ที่มีเครื่องมือทางการแพทย์อยู่ใกล้ๆ เช่น เครื่องกระตุ้นการเต้นของหัวใจ เป็นต้น
7. อย่าใช้งานอุปกรณ์รับส่งสัญญาณไร้สายในสถานที่ที่มีอุปกรณ์อัตโนมัติอยู่ใกล้ๆ เนื่องจากอุปกรณ์อัตโนมัติอาจทำงานผิดปกติหรือเกิดความผิดพลาดได้
8. อย่าให้อุปกรณ์ไร้สายในสถานที่ที่มีอุณหภูมิสูง หรือสถานที่ที่อาจเกิดไฟฟ้าสถิต หรือสัญญาณรบกวนทางไฟฟ้า
9. อุปกรณ์รับส่งสัญญาณไร้สายอาจสร้างสนามแม่เหล็ก (EMF) แต่ไม่เป็นอันตรายต่อผู้ใช้
10. อุปกรณ์รับส่งสัญญาณไร้สายเป็นเครื่องมือที่มีความแม่นยำ ระวังอย่าทำอุปกรณ์รับส่งสัญญาณไร้สายตกหล่นหรือกระแทก
11. หลีกเลี่ยงการสัมผัสขั้วต่อของอุปกรณ์รับส่งสัญญาณไร้สายด้วยมือเปล่าหรือวัสดุที่ทำจากโลหะ
12. นำแบตเตอรี่ออกจากผลิตภัณฑ์เสมอเมื่อติดตั้งอุปกรณ์รับส่งสัญญาณไร้สายบนผลิตภัณฑ์
13. เมื่อเปิดฝาปิดช่องเสียบ โปรดหลีกเลี่ยงสถานที่ที่ฝุ่นและน้ำอาจเข้าไปในช่องเสียบได้ รักษาช่องทางเข้าช่องเสียบให้สะอาดอยู่เสมอ
14. ใส่อุปกรณ์รับส่งสัญญาณไร้สายในทิศทางที่ถูกต้องเสมอ
15. อย่ากดปุ่มสั่งงานด้วยสัญญาณไร้สายบนอุปกรณ์รับส่งสัญญาณไร้สายแรงจนเกินไป และ/หรือ อย่ากดปุ่มด้วยวัตถุที่มีขอบคม
16. ปิดฝาปิดช่องเสียบขณะใช้งานเสมอ
17. ย่อนำอุปกรณ์รับส่งสัญญาณไร้สายออกจากช่องเสียบในขณะที่เครื่องมือยังเชื่อมต่อกับไฟฟ้าอยู่ มิฉะนั้นอาจทำให้อุปกรณ์รับส่งสัญญาณไร้สายทำงานผิดปกติได้
18. อย่าแคะสติกเกอร์บนอุปกรณ์รับส่งสัญญาณไร้สายออก
19. อย่าแคะสติกเกอร์บนอุปกรณ์รับส่งสัญญาณไร้สาย
20. อย่าวางอุปกรณ์รับส่งสัญญาณไร้สายไว้ในสถานที่ที่อาจเกิดไฟฟ้าสถิตหรือสัญญาณรบกวนทางไฟฟ้า
21. อย่าวางอุปกรณ์รับส่งสัญญาณไร้สายไว้ในสถานที่ที่อาจเกิดความร้อนสูง เช่น รถยนต์ที่จอดไว้กลางแจ้ง
22. อย่าวางอุปกรณ์รับส่งสัญญาณไร้สายไว้ในสถานที่ที่เต็มไปด้วยฝุ่นหรือผง หรือในสถานที่ที่อาจเกิดก๊าซกัดกร่อน
23. การเปลี่ยนแปลงของอุณหภูมิอย่างกะทันหันอาจทำให้อุปกรณ์รับส่งสัญญาณไร้สายขึ้นด้วยหยดน้ำค้างได้ อย่าให้อุปกรณ์รับส่งสัญญาณไร้สายจนกว่าน้ำค้างจะแห้งสนิท
24. เมื่อต้องการทำความสะอาดอุปกรณ์รับส่งสัญญาณไร้สาย ให้ใช้ผ้าแห้งที่อ่อนนุ่มค่อยๆ เช็ดอย่างเบาเมื่ออย่าใช้เบนซิน ทินเนอร์ จาระบีที่นำกระแสไฟฟ้า หรือที่คล้ายกันนี้
25. เมื่อต้องการเก็บอุปกรณ์รับส่งสัญญาณไร้สาย ให้เก็บไว้ในกล่องที่ทำให้มาหรือในภาชนะที่ปลอดภัยไฟฟาสถิต
26. อย่าใส่อุปกรณ์อื่นนอกจากอุปกรณ์รับส่งสัญญาณไร้สายของ Makita เข้าไปในช่องเสียบบนเครื่องมือ
27. อย่าใช้เครื่องมือที่ฝาปิดของช่องเสียบชำรุด น้ำ ฝุ่น และสิ่งสกปรกที่เข้าไปในช่องเสียบอาจทำให้เกิดการทำงานผิดปกติได้
28. อย่าดึงและ/หรือบิดฝาปิดช่องเสียบมากเกินไปจนจำเป็น เก็บฝาปิดไว้หากฝาปิดหลุดออกจากเครื่องมือ
29. เปลี่ยนฝาปิดช่องเสียบใหม่หากสูญหายหรือชำรุด

ปฏิบัติตามคำแนะนำเหล่านี้

# คำอธิบายชิ้นส่วนต่างๆ

## ▶ หมายเลข 2

1	ปุ่มหมุน (สำหรับองศา มุมเอียง)	2	ประแจหกเหลี่ยม	3	สกรูปรับ (สำหรับ ตำแหน่งจำกัดด้านล่าง)	4	สลักเกลียวปรับ (สำหรับ ความสามารถการตัด สูงสุด)
5	แขนสต็อปเปอร์	6	ปุ่มล็อค	7	สวิตช์สั่งงาน	8	ฝาปิด (สำหรับอุปกรณ์ รับส่งสัญญาณไร้สาย)
9	รูสำหรับกุญแจอายุ	10	ปุ่มสั่งงานด้วยสัญญาณ ไร้สาย	11	ดวงไฟแสดงการสั่งงาน ด้วยสัญญาณไร้สาย	12	ปุ่มดวงไฟ
13	ปุ่มดูดฝุ่น	14	กรอบใบเลื่อย	15	ที่ป้องกันใบเลื่อย	16	ฉากรอง
17	ก้านล็อค (สำหรับฐาน หมุน)	18	ก้านปล่อย (สำหรับฐาน หมุน)	19	ด้ามจับ (สำหรับฐาน หมุน)	20	แผ่นรองตัด
21	สเกลองศามุมมาก	22	ตัวชี้ (สำหรับองศา มุม มาก)	23	ฐานหมุน	24	ฐานรอง
25	ปุ่มปล่อย (สำหรับองศา มุมเอียงด้านขวา)	26	ตัวหนีบแนวตั้ง	27	เข็มสต็อปเปอร์ (สำหรับ การสไลด์เพื่อยก)	28	เสาสไลด์

## ▶ หมายเลข 3

1	มือจับ	2	ตลับแบตเตอรี่	3	ถุงดักฝุ่น (เมื่อเปลี่ยน เป็นท่อดูดฝุ่น)	4	ท่อดูด (สำหรับดูดฝุ่น)
5	สเกลองศามุมเอียง	6	สลักเกลียวปรับ 0° (สำหรับองศา มุมเอียง)	7	ตัวชี้ (สำหรับองศา มุม เอียง)	8	สลักเกลียวปรับ 45° (สำหรับองศา มุมเอียง)
9	ก้านตัวล็อค (สำหรับ องศา มุมเอียง)	10	ก้านปล่อย (สำหรับองศา มุมเอียง 48°)	11	ฉากนำ (ฉากกันด้านบน)	12	ฉากนำ (ฉากกันด้าน ล่าง)
13	เข็มสต็อปเปอร์ (สำหรับ การยกโครงยก)	14	ล็อคก้าน	-	-	-	-

## การติดตั้ง

### การติดตั้งด้ามจับ

ขันก้านเกลียวของด้ามจับเข้ากับฐานหมุน

▶ หมายเลข 4: 1. ด้ามจับ 2. ฐานหมุน

### การติดตั้งและการถอดท่อดูดฝุ่น

เชื่อมต่อข้อต่อเข้ากับพอร์ตด้านบนโดยให้ปุ่มล็อคหันขึ้น ด้านบน สอดปลอกท่อเข้าไปในพอร์ตด้านล่าง กดและปรับ ปุ่มสต็อปเปอร์บนปลอกให้ตรงกับแนวร่องบนพอร์ต

ตรวจสอบให้แน่ใจว่าข้อต่อและปลอกสวมเข้ากับช่องต่อของ เครื่องมือได้พอดี

▶ หมายเลข 5: 1. ท่อดูดฝุ่น 2. ข้อต่อ 3. ปุ่มล็อค 4. ปลอก 5. พอร์ตด้านบน 6. พอร์ต ด้านล่าง

การถอดข้อต่อออกจากช่องต่อ ให้ดึงข้อต่อออกโดยกดปุ่ม ล็อคลง

▶ หมายเลข 6: 1. ปุ่มล็อค 2. ข้อต่อ

การถอดปลอกของท่อออกจากพอร์ต ให้ดึงปลอกพร้อมกด ปุ่มสต็อปเปอร์ทั้งสองด้านของพอร์ต

▶ หมายเลข 7: 1. ปุ่มสต็อปเปอร์ 2. ปลอก

## การยึดกับโต๊ะทำงาน

เมื่อเครื่องมือถูกจัดตั้ง มือจับจะลือคอยู่ในตำแหน่งต่ำด้วย เช็มสต๊อปเปอร์ ในขณะที่ค่อยๆ ลดระดับมือจับลงนั้น ให้ดึง เช็มสต๊อปเปอร์และหมุน 90°

- **หมายเลข 8:** 1. ตำแหน่งลือค 2. ตำแหน่งปลดลือค 3. เช็มสต๊อปเปอร์

เครื่องมือนี้ควรใช้สลักเกลียว 4 ตัวยึดไว้กับพื้นผิวที่เรียบเสมอกันและมั่นคง โดยใช้รูสลักเกลียวที่ให้มาในฐานของเครื่องมือ ซึ่งจะช่วยป้องกันไม่ให้เกิดการกระดกและการบาดเจ็บได้

- **หมายเลข 9:** 1. สลักเกลียว

**คำเตือน:** ตรวจสอบให้แน่ใจว่าเครื่องมือจะไม่ขยับเขยื้อนบนพื้นผิวรองรับ การเคลื่อนที่ของเครื่องเลื่อยองศาบนพื้นผิวรองรับระหว่างทำการตัดอาจทำให้สูญเสียการควบคุมและได้รับบาดเจ็บสาหัสได้

## คำอธิบายการทำงาน

**คำเตือน:** ตรวจสอบให้แน่ใจว่าได้ปิดสวิทช์เครื่องมือและถอดดัลล์แบตเตอรี่ออกก่อนปรับตั้งหรือตรวจสอบการทำงานของเครื่องมือ การไม่ปิดเครื่องมือและถอดดัลล์แบตเตอรี่ออกอาจจะเป็นสาเหตุของการบาดเจ็บเนื่องจากการเริ่มทำงานโดยบังเอิญได้

## การใส่หรือการถอดดัลล์แบตเตอรี่

**ข้อควรระวัง:** ปิดสวิทช์เครื่องมือก่อนทำการติดตั้งหรือการถอดดัลล์แบตเตอรี่ทุกครั้ง

**ข้อควรระวัง:** ถือเครื่องมือและดัลล์แบตเตอรี่ให้แน่นในระหว่างการติดตั้งหรือการถอดดัลล์แบตเตอรี่ หากไม่ถือเครื่องมือและดัลล์แบตเตอรี่ให้แน่น อาจทำให้ดัลล์แบตเตอรี่และเครื่องมือลื่นหลุดมือ และทำให้เครื่องมือและดัลล์แบตเตอรี่เสียหายหรือได้รับบาดเจ็บได้

- **หมายเลข 10:** 1. ซีลสีแดง 2. ปุ่ม 3. ดัลล์แบตเตอรี่

เมื่อต้องการถอดดัลล์แบตเตอรี่ ให้เลื่อนปุ่มที่ด้านหน้าของดัลล์แล้วดึงออกจากเครื่องมือ

การติดตั้งดัลล์แบตเตอรี่ ให้จัดตำแหน่งลิ้นของดัลล์แบตเตอรี่ให้ตรงกับร่องของเครื่อง แล้วเลื่อนเข้าที่ ซีลดัลล์แบตเตอรี่เข้าจนสุดจนกระทั่งได้ยินเสียงคลิกลือคเข้าที่ หากยังเห็นซีลสีแดงตามที่แสดงในภาพ แสดงว่าดัลล์แบตเตอรี่ยังไม่ลือคเข้าที่

**ข้อควรระวัง:** ให้ดันดัลล์แบตเตอรี่เข้าจนสุดจนไม่เห็นซีลสีแดงอีก ไม่เช่นนั้น ดัลล์แบตเตอรี่อาจหลุดออกจากเครื่องมือทำให้คุณหรือคนรอบข้างได้รับบาดเจ็บ

**ข้อควรระวัง:** อย่าฝืนติดตั้งดัลล์แบตเตอรี่โดยใช้แรงมากเกินไป หากดัลล์แบตเตอรี่ไม่เลื่อนเข้าไปโดยง่าย แสดงว่าใส่ไม่ถูกต้อง

## ระบบป้องกันเครื่องมือ/แบตเตอรี่

เครื่องมือมีระบบป้องกันเครื่องมือ/แบตเตอรี่ ระบบนี้จะตัดไฟที่ส่งไปยังมอเตอร์โดยอัตโนมัติเพื่อยืดอายุการใช้งานเครื่องมือและแบตเตอรี่ เครื่องมือจะหยุดทำงานระหว่างการใช้งานโดยอัตโนมัติ หากเครื่องมือหรือแบตเตอรี่อยู่ภายใต้สถานการณ์ต่อไปนี้ ในบางกรณี ไฟแสดงสถานะจะติดขึ้น

## การป้องกันโอเวอร์โหลด

เมื่อเครื่องมือ/แบตเตอรี่ทำงานในลักษณะที่ทำให้ต้องใช้กระแสไฟฟ้าสูงเกินไป เครื่องมือจะหยุดโดยอัตโนมัติ ในกรณีนี้ ให้ปิดเครื่องมือและหยุดการใช้งานที่อาจทำให้เครื่องมือทำงานหนักเกินไป แล้วเปิดเครื่องมือเพื่อเริ่มการทำงานอีกครั้ง

## การป้องกันความร้อนสูงเกินไป

เมื่อเครื่องมือ/แบตเตอรี่ร้อนเกินไป เครื่องมือจะหยุดทำงานโดยอัตโนมัติ และดวงไฟจะกะพริบ ในกรณีนี้ ให้ปล่อยให้เครื่องมือให้เย็นลงก่อนแล้วเปิดเครื่องมืออีกครั้ง

## การป้องกันไฟหมด

เมื่อความจุแบตเตอรี่มีระดับพลังงานต่ำ เครื่องมือจะหยุดโดยอัตโนมัติ หากเครื่องมือไม่ทำงานแม้ว่าจะกดสวิทช์แล้ว ให้ถอดดัลล์แบตเตอรี่ออกจากเครื่องมือแล้วนำไปชาร์จ

## การระบุระดับพลังงานแบตเตอรี่ที่เหลืออยู่

กดปุ่ม ตรวจสอบ บนดัดับแบตเตอรี่เพื่อดูปริมาณแบตเตอรี่ที่เหลือ ไฟแสดงสถานะจะสว่างขึ้นเป็นเวลาสองสามวินาที

► **หมายเลข 11:** 1. ไฟแสดงสถานะ 2. ปุ่มตรวจสอบ

ไฟแสดงสถานะ			แบตเตอรี่ที่เหลือ
ไฟสว่าง	ดับ	กะพริบ	
■ ■ ■ ■	□ □ □ □	■ □ □ □	75% ถึง 100%
■ ■ ■ □	□ □ □ □	■ □ □ □	50% ถึง 75%
■ ■ □ □	□ □ □ □	■ □ □ □	25% ถึง 50%
■ □ □ □	□ □ □ □	■ □ □ □	0% ถึง 25%
■ □ □ □	□ □ □ □	■ □ □ □	ชาร์จไฟ แบตเตอรี่
■ ■ □ □	□ □ □ □	■ □ □ □	แบตเตอรี่อาจ จะเสีย

**หมายเหตุ:** ขึ้นอยู่กับสภาพการใช้งานและอุณหภูมิ โดยรอบ การแสดงสถานะอาจจะแตกต่างจากปริมาณ แบตเตอรี่จริงเล็กน้อย

**หมายเหตุ:** ไฟแสดงสถานะดวงแรก (ซ้ายสุด) จะกะพริบ เมื่อระบบป้องกันแบตเตอรี่ทำงาน

## ตัวล็อกมือจับ

**⚠ ข้อควรระวัง:** จับมือจับไว้เสมอเมื่อปล่อยเข็มสตาร์ท เเปอร์ มิฉะนั้นมือจับอาจดึงขึ้นและอาจก่อให้เกิดการบาดเจ็บ

มือจับสามารถล็อกได้ทั้งในตำแหน่งที่ต่ำหรือสูงขึ้นโดยใช้เข็มสตาร์ท เเปอร์ ลดหรือยกมือจับขึ้นจนสุด จากนั้นให้ดึงและหมุนเข็มสตาร์ท เเปอร์ ในตำแหน่งล็อก การปลดล็อกมือจับ ให้ดึงเข็มสตาร์ท เเปอร์ แล้วหมุนไป 90° ในตำแหน่งปลดล็อกในขณะที่ลดมือจับให้ต่ำลงเล็กน้อย

► **หมายเลข 12:** 1. ตำแหน่งล็อก 2. ตำแหน่งปลดล็อก 3. เข็มสตาร์ท เเปอร์

## การล็อคการสไลด์

ดึงเข็มสตาร์ท เเปอร์ และหมุน 90° ในตำแหน่งปลดล็อกเพื่อให้โครงยกเคลื่อนไหวได้อย่างอิสระ การล็อคการเคลื่อนที่สไลด์ของโครงยก ต้นโครงยกเข้าหาแขนจนกว่าจะหยุด จากนั้นจึงให้เข็มสตาร์ท เเปอร์ กลับไปที่ตำแหน่งล็อคตามเดิม

► **หมายเลข 13:** 1. ตำแหน่งล็อก 2. ตำแหน่งปลดล็อก 3. เข็มสตาร์ท เเปอร์ 4. แขน

## ที่ป้องกันใบเลื่อย

**⚠ คำเตือน:** อย่าทำหลายหรือถอดที่ป้องกันใบเลื่อยหรือสปริงที่ติดอยู่กับที่ป้องกัน ใบเลื่อยที่เปิดออกเนื่องจากที่ป้องกันถูกทำลายอาจส่งผลให้เกิดการบาดเจ็บร้ายแรงระหว่างการทำงานได้

**⚠ คำเตือน:** อย่าใช้เครื่องมือหากที่ป้องกันใบเลื่อยหรือสปริงเสียหาย มีตำหนิ หรือถูกถอดออก การใช้งานเครื่องมือที่มีที่ป้องกันที่เสียหาย มีตำหนิ หรือถูกถอดออกอาจส่งผลให้เกิดการบาดเจ็บร้ายแรงได้

**⚠ ข้อควรระวัง:** รักษาที่ป้องกันใบเลื่อยให้อยู่ในสภาพดีอยู่เสมอเพื่อการใช้งานที่ปลอดภัย หยุดใช้งานทันทีหากที่ป้องกันใบเลื่อยมีความผิดปกติ ตรวจสอบให้แน่ใจว่าสปริงสามารถดึงที่ป้องกันกลับได้

เมื่อลดตามจับลง ที่ป้องกันใบเลื่อยจะยกขึ้นโดยอัตโนมัติ ที่ป้องกันใบเลื่อยจะมีสปริง ดังนั้นชั้นส่วนดังกล่าวจะกลับสู่ตำแหน่งเดิมเมื่อการตัดเสร็จสิ้นและยกตามจับขึ้น

► **หมายเลข 14:** 1. ที่ป้องกันใบเลื่อย

## การทำความสะอาด

หากที่ป้องกันใบเลื่อยแบบใสสกปรก หรือมีฝุ่นเลื้อยติดอยู่จนไม่สามารถมองเห็นใบเลื่อยได้ง่าย ให้ถอดดัดับแบตเตอรี่ แล้วใช้ผ้าชุบน้ำหมาดๆ เช็ดที่ป้องกันใบเลื่อย อย่าใช้ตัวทำละลายหรือน้ำยทำความสะอาดที่มีส่วนผสมของปิโตรเลียมกับที่ป้องกันพลาสติกเนื่องจากอาจทำให้ที่ป้องกันเสียหายได้

ปฏิบัติตามคำแนะนำที่ละชั้นตามที่ระบุไว้ในขั้นตอนการทำความสะอาด

1. ตรวจสอบให้แน่ใจว่าปิดสวิตช์เครื่องมือและนำดัดับแบตเตอรี่ออกแล้ว
2. หมุนสลักเกลียวหกเหลี่ยมทวนเข็มนาฬิกาโดยใช้ประแจหกเหลี่ยมที่มีพร้อมยึดฝาครอบตรงกลางไว้
3. ยกที่ป้องกันใบเลื่อยและฝาครอบตรงกลางขึ้น

4. เมื่อทำความสะอาดเสร็จแล้ว เก็บใบเลื่อยและฝาครอบตรงกลางกลับและขันสลักเกลียวหกเหลี่ยมโดยทำตามขั้นตอนด้านบนแบบย้อนกลับ
  5. ตรวจสอบให้แน่ใจว่าได้ติดตั้งใบเลื่อยวงกลมและฝาครอบตรงกลางกลับเข้าที่และขันให้แน่นด้วยสลักเกลียวหกเหลี่ยมแล้ว
- ▶ **หมายเลข 15:** 1. ประแจหกเหลี่ยม 2. สลักเกลียวหกเหลี่ยม 3. ฝาครอบตรงกลาง 4. ที่ป้องกันใบเลื่อย

**คำเตือน:** อย่าถอดสปริงที่ยึดที่ป้องกันใบเลื่อยออกถ้าที่ป้องกันเสียหายเมื่อเวลาผ่านไปหรือเมื่อสัมผัสกับแสง UV ให้ติดต่อศูนย์บริการ Makita เพื่อเปลี่ยนใหม่ อย่าทำลายหรือถอดที่ป้องกัน

### การวางตำแหน่งแผ่นร่องตัด

เครื่องมือนี้มีแผ่นร่องตัดในฐานหมุนเพื่อลดการสั่นไหวทางด้านออกของรอยตัด แผ่นร่องตัดได้มีการปรับค่ามาจากโรงงานเพื่อไม่ให้ใบเลื่อยวงกลมสัมผัสกับแผ่นร่องตัด ก่อนใช้ ให้ปรับแผ่นร่องตัดดังนี้

1. ตรวจสอบให้แน่ใจว่าได้ถอดดัลต์แบดเตอร์ จากนั้นจึงคลายสกรูทุกตัว (ทางซ้ายและขวาฝั่งละ 3 ตัว) ที่ยึดแผ่นร่องตัด
- ▶ **หมายเลข 16:** 1. แผ่นร่องตัด 2. สกรู

**หมายเหตุ:** สกรูตัวหลังสุดสามารถคลายและขันแน่นได้อย่างง่ายดายโดยปรับฐานหมุนในองศาที่เหมาะสม ตรวจสอบให้แน่ใจว่ายกมือจับขึ้นจนสุดแล้วขณะปรับฐานหมุน

2. ขันกลับไปถึงระดับที่แผ่นร่องตัดยังสามารถขยับได้ด้วยมืออย่างง่ายดาย

**หมายเหตุ:** อย่าลืมนปรับฐานหมุนกลับมาที่องศาเดิม (องศาหมุมบาก 0°) เมื่อปรับตำแหน่งแผ่นร่องตัด

3. ลดมือจับลงจนสุดและดึงเข็มสตอปเปอร์เพื่อล็อกมือจับให้อยู่ในตำแหน่งต่ำ
  4. ดึงและหมุนเข็มสตอปเปอร์บนเสาโลดเพื่อให้เสาโลดโครยกได้
- ▶ **หมายเลข 17:** 1. เข็มสตอปเปอร์ 2. ตำแหน่งล็อก 3. ตำแหน่งปลดล็อก

5. ดึงดัลต์เข้าหาตัวจนสุด
  6. ปรับแผ่นร่องตัดเพื่อให้สัมผัสกับด้านข้างของฟันเลื่อย
- ▶ **หมายเลข 18**

- ▶ **หมายเลข 19:** 1. ใบเลื่อย 2. ฟันเลื่อย 3. แผ่นร่องตัด 4. การตัดมุมเฉียงซ้าย 5. การตัดตรง 6. การตัดมุมเฉียงขวา

7. ขันสกรูหน้า (อย่าขันจนแน่น)
8. ดันโครยกเข้าหาฉากนำจนสุดแล้วปรับแผ่นร่องตัดเพื่อให้สัมผัสกับด้านข้างของฟันเลื่อย
9. ขันสกรูกลาง (อย่าขันจนแน่น)
10. หลังจากปรับแผ่นร่องตัด ให้ปล่อยเข็มสตอปเปอร์สำหรับตัวล็อกมือจับและยกมือจับขึ้น จากนั้นขันสกรูทั้งหมดให้แน่น

**ข้อสังเกต:** หลังจากตั้งมุมเฉียงแล้ว ตรวจสอบให้แน่ใจว่าได้ปรับแผ่นร่องตัดอย่างเหมาะสม การปรับแผ่นร่องตัดที่ถูกต้องช่วยให้มีการรองรับชิ้นงานที่เหมาะสมและลดการสึกหรอของชิ้นงาน

### การรักษาความสามารถตัดสูงสุด

เครื่องมือชนิดนี้มีการปรับค่ามาจากโรงงานเพื่อให้มีความสามารถในการตัดสูงสุดสำหรับใบเลื่อยขนาด 305 mm เมื่อติดตั้งใบเลื่อยวงกลมอันใหม่ ให้ตรวจสอบตำแหน่งขีดจำกัดด้านล่างของใบเลื่อยวงกลม และหากจำเป็นให้ปรับดังนี้

1. ถอดดัลต์แบดเตอร์ จากนั้นจึงปรับก้านสตอปเปอร์ไปยังตำแหน่งที่กำหนด

▶ **หมายเลข 20:** 1. ก้านสตอปเปอร์

2. แล้วดันโครยกเข้าหาฉากนำจนสุดและลดมือจับลงจนสุด

▶ **หมายเลข 21:** 1. ฉากนำ 2. สลักเกลียวปรับ

3. ใช้ประแจหกเหลี่ยมเพื่อหมุนสลักเกลียวปรับจนกระทั่งใบเลื่อยวงกลมไหลออกมาด้านล่างส่วนที่ตัดกันของฉากนำและพื้นผิวด้านบนของฐานหมุนเล็กน้อย

▶ **หมายเลข 22:** 1. พื้นผิวด้านบนของฐานหมุน 2. ฉากนำ

4. หมุนใบเลื่อยด้วยมือจนกระทั่งมือจับลดต่ำลงจนสุดเพื่อให้แน่ใจว่าใบเลื่อยวงกลมจะไม่สัมผัสกับส่วนใด ๆ ของฐานด้านล่าง ปรับอีกครั้งเล็กน้อย หากจำเป็น

**คำเตือน:** หลังจากติดตั้งใบเลื่อยวงกลมอันใหม่และนำดัลต์แบดเตอร์ออกแล้ว ตรวจสอบให้แน่ใจว่าใบเลื่อยวงกลมจะไม่สัมผัสกับส่วนใด ๆ ของฐานด้านล่างเมื่อลดมือจับลงจนสุด หากใบเลื่อยวงกลมสัมผัสกับฐานด้านล่าง อาจทำให้เกิดการตีกลับและส่งผลให้ได้รับบาดเจ็บสาหัสได้

▶ **หมายเลข 23**

**ข้อควรระวัง:** ให้หมุนก้านสตอปเปอร์กลับไปที่ตำแหน่งเดิมหลังจากปรับแล้วเสมอ

## แขนสต็อบเปอร์

สามารถปรับตำแหน่งขีดจำกัดด้านล่างของใบเลื่อยวงกลมได้ง่าย ด้วยแขนสต็อบเปอร์ วิธีปรับ ให้ขยับแขนสต็อบเปอร์ในทิศทางตามลูกศรที่แสดงในภาพ หมุนสกรูปรับเพื่อให้ใบเลื่อยวงกลมหยุดที่ตำแหน่งที่ต้องการเมื่อลดมือจับลงจนสุด

► **หมายเลข 24:** 1. สกรูปรับ 2. แขนสต็อบเปอร์

**⚠ ข้อควรระวัง:** จับมือจับให้แน่นเสมอเมื่อทำการปรับ ไม่เช่นนั้นอาจทำให้โครงยกติดขึ้นและส่งผลให้ได้รับบาดเจ็บได้

## การปรับองศาการบาก

**⚠ ข้อควรระวัง:** หลังจากเปลี่ยนมุมบากแล้ว ให้ยึดฐานหมุนโดยให้ก้านล็อก/ปล่อยกลับสู่ตำแหน่งล็อกและขันตามจับให้แน่น

**ข้อสังเกต:** เมื่อปรับฐานหมุน โปรดตรวจสอบให้แน่ใจว่าได้ยกมือจับขึ้นจนสุด

1. หมุนตามจับทวนเข็มนาฬิกา จากนั้นจึงกดก้านล็อกคลงค้างไว้ให้อยู่ในตำแหน่งปลดล็อก
2. จับแล้วโยกตามจับไปทางด้านข้างเพื่อหมุนฐานหมุน
3. จัดตำแหน่งตัวชี้ให้อยู่ในองศาหมุนบนสเกลองศาหมุมบากที่คุณต้องการ
4. ปล่อยก้านล็อกและขันตามจับให้แน่น

► **หมายเลข 25:** 1. ตามจับ 2. ก้านล็อก 3. ตัวชี้ 4. สเกลองศาหมุมบาก

## ฟังก์ชันหยุดตามตำแหน่ง

เครื่องเลื่อยของเรามีฟังก์ชันหยุดตามตำแหน่ง คุณสามารถตั้งค่าองศาหมุมบากซ้าย/ขวาที่ 0°, 15°, 22.5°, 31.6°, 45°, และ 60° ได้อย่างรวดเร็ว

1. หมุนตามจับทวนเข็มนาฬิกา
2. กดก้านล็อกคลงค้างไว้ให้อยู่ในตำแหน่งปลดล็อก
3. เลื่อนฐานหมุนไปใกล้มุมหยุดตามตำแหน่งที่คุณต้องการและปล่อยก้านล็อก
4. หมุนฐานหมุนตามองศาหมุมหยุดตามตำแหน่งที่ต้องการจนกว่าจะแน่น
5. ขันตามจับให้แน่น

► **หมายเลข 26:** 1. ตามจับ 2. ก้านล็อก 3. องศาหมุมหยุดตามตำแหน่ง

**หมายเหตุ:** การปล่อยฐานหมุนจากฟังก์ชันหยุดตามตำแหน่ง ให้กดก้านปล่อยลง ฐานหมุนสามารถขยับได้อย่างอิสระแม้ไม่กดก้านล็อกไว้ โยกตามจับเพื่อหมุนฐานหมุนไปยังตำแหน่งที่คุณต้องการ จากนั้นจึงขันตามจับให้แน่น

► **หมายเลข 27:** 1. ก้านปล่อย

## การปรับมุมเอียง

**⚠ ข้อควรระวัง:** หลังจากเปลี่ยนองศาหมุมเอียง ให้ยึดแขนให้แน่นทุกครั้งโดยการขันปุ่มหมุนบนเสาโลดตามเข็มนาฬิกา

**ข้อสังเกต:** นำฉากนำด้านบนและตัวหนีบแนวตั้งออกก่อนปรับองศาหมุมเอียงเสมอ

**ข้อสังเกต:** เมื่อเอียงใบเลื่อยวงกลม ตรวจสอบให้แน่ใจว่ายกโครงยกขึ้นจนสุดแล้ว

**ข้อสังเกต:** เมื่อเปลี่ยนมุมเอียง ตรวจสอบให้แน่ใจว่าจัดตำแหน่งแผ่นร่องตัดใหม่อย่างเหมาะสมตามที่อธิบายไว้ในส่วนการจัดตำแหน่งแผ่นร่องตัดแล้ว

**ข้อสังเกต:** อย่าหมุนปุ่มหมุนบนเสาโลดแรงจนเกินไป เนื่องจากอาจทำให้กลไกการล็อกขององศาหมุมเอียงทำงานผิดปกติได้

## การเอียงใบเลื่อยวงกลมไปทางซ้าย

1. หมุนปุ่มหมุนบนเสาโลดทวนเข็มนาฬิกา

► **หมายเลข 28:** 1. ปุ่มหมุน

2. ดึงและหมุนก้านตัวล็อกไปยังตำแหน่งตามภาพ

► **หมายเลข 29:** 1. ก้านตัวล็อก

3. คลายมือจับและเอียงโครงยกไปทางซ้าย

4. จัดตำแหน่งตัวชี้ให้อยู่ในองศาหมุมบนสเกลองศาหมุมเอียงที่คุณต้องการ

5. หมุนปุ่มหมุนตามเข็มนาฬิกาเพื่อยึดแขนโครงยก

► **หมายเลข 30:** 1. ปุ่มหมุน 2. มือจับ 3. ตัวชี้ 4. สเกลองศาหมุมเอียง

## การเอียงใบเลื่อยวงกลมไปทางขวา

1. หมุนปุ่มหมุนบนเสาโลดทวนเข็มนาฬิกา

2. คลายมือจับและเอียงโครงยกไปทางซ้ายเล็กน้อย

3. เอียงโครงยกไปทางด้านขวาขณะกดปุ่มปล่อยสำหรับองศาหมุมเอียงด้านขวา

4. จัดตำแหน่งตัวชี้ให้อยู่ในองศาหมุมบนสเกลองศาหมุมเอียงที่คุณต้องการ

5. หมุนปุ่มหมุนตามเข็มนาฬิกาเพื่อยืดแขนโครงยก
- ▶ **หมายเลข 31:** 1. ปุ่มหมุน 2. มือจับ 3. ปุ่มปล่อย สำหรับองศามุมเอียงด้านขวา 4. สเกลของศามุมเอียง

### การเอียงใบเลื่อยวงกลมโดยใช้ฟังก์ชันหยุดตามตำแหน่ง

เครื่องเลื่อยของเรามีฟังก์ชันหยุดตามตำแหน่ง คุณสามารถตั้งองศามุม 22.5° และ 33.9° ได้อย่างรวดเร็วทั้งด้านซ้ายและขวา

1. หมุนปุ่มหมุนบนเสาโลดท์ทวนเข็มนาฬิกา
  2. เอียงโครงยกไปใกล้มุมหยุดตามตำแหน่งที่คุณต้องการ ขณะยกก้านตัวล็อกขึ้น
  3. ตั้งก้านตัวล็อกตามตำแหน่งในแนวนอน
  4. เอียงโครงยกตามองศามุมหยุดตามตำแหน่งที่ต้องการ จนกว่าจะแน่น
  5. วิธีเปลี่ยนองศามุม ให้ตั้งก้านตัวล็อกไปทางด้านหน้าของเครื่องมือ จากนั้นจึงเอียงโครงยกอีกครั้ง
  6. หมุนปุ่มหมุนตามเข็มนาฬิกาเพื่อยืดแขนโครงยก
- ▶ **หมายเลข 32:** 1. ปุ่มหมุน 2. ก้านตัวล็อก

### การเอียงใบเลื่อยวงกลมเกินกว่าระยะ 0° - 45°

1. หมุนปุ่มหมุนบนเสาโลดท์ทวนเข็มนาฬิกา
  2. คลายมือจับและเอียงโครงยกเกิน 45° ไปทางซ้ายหรือขวาก็ได้
  3. ดึงโครงยกกลับเล็กน้อยและเลื่อนก้านปล่อยสำหรับมุมเอียง 48° ไปทางด้านหน้าของเครื่องมือ
  4. เอียงโครงยกไปทางซ้ายหรือขวามากกว่าเดิมในขณะที่ยังปล่อยก้านอยู่
  5. หมุนปุ่มหมุนตามเข็มนาฬิกาเพื่อยืดแขนโครงยก
- ▶ **หมายเลข 33:** 1. ปุ่มหมุน 2. มือจับ 3. ก้านปล่อย สำหรับมุมเอียง 48°

## การทำงานของสวิตช์

**คำเตือน:** ก่อนติดตั้งลับแบตเตอรี่เข้ากับเครื่องมือให้ตรวจสอบว่าสวิตช์สั่งงานทำงานได้อย่างเหมาะสมและกลับไปยังตำแหน่ง “ปิด” เมื่อปล่อยเสมอ อย่างกดสวิตช์สั่งงานแรงๆ โดยไม่กดปุ่มปลดล๊อค การทำเช่นนั้นอาจทำให้สวิตช์เสียหายได้ การใช้งานเครื่องมือด้วยสวิตช์ที่ทำงานอย่างไม่ถูกต้องอาจทำให้สูญเสียการควบคุมและทำให้ได้รับบาดเจ็บสาหัสได้

**คำเตือน:** ห้ามใช้เครื่องมือโดยไม่มีสวิตช์ที่สามารถใช้งานได้ เครื่องมือใดๆ ที่มีสวิตช์ที่ไม่สามารถใช้งานได้เป็นอันตรายอย่างมากและต้องทำการซ่อมแซมก่อนใช้งานต่อ หรืออาจเกิดการบาดเจ็บร้ายแรง

**คำเตือน:** ห้ามทำลายปุ่มปลดล๊อคโดยใช้เทปพันหรือวิธีอื่น สวิตช์ที่ปุ่มปลดล๊อคใช้ไม่ได้ อาจทำให้เกิดการใช้งานโดยไม่ตั้งใจและทำให้เกิดการบาดเจ็บร้ายแรงได้

**คำเตือน:** ห้ามใช้เครื่องมือหากเครื่องมือสามารถทำงานได้เมื่อคุณดึงสวิตช์สั่งงานโดยไม่ได้กดปุ่มปลดล๊อค สวิตช์ที่ต้องทำการซ่อมแซมอาจทำให้เกิดการใช้งานโดยไม่ตั้งใจและทำให้เกิดการบาดเจ็บร้ายแรงได้ นำเครื่องมือส่งศูนย์บริการ Makita เพื่อการซ่อมแซมก่อนการใช้งาน

- ▶ **หมายเลข 34:** 1. สวิตช์สั่งงาน 2. ปุ่มล๊อค 3. รู สำหรับبطูแฉสายยู

เพื่อป้องกันไม่ให้สวิตช์สั่งงานถูกดึงโดยไม่ตั้งใจจึงมีปุ่มล๊อคติดตั้งไว้ วิธีเริ่มใช้งานเครื่องมือ ให้กดปุ่มล๊อคแล้วดึงสวิตช์สั่งงาน ปล่อยสวิตช์สั่งงานเพื่อหยุดการทำงาน สวิตช์สั่งงานมีรูเพื่อใส่กุญแจสายยูเพื่อล๊อคเครื่องมือ

**คำเตือน:** อย่าใช้ล๊อคที่มีก้านด้วยหรือสายเคเบิลที่มีเส้นผ่านศูนย์กลางเล็กกว่า 6.35 mm ก้านด้วยหรือสายเคเบิลที่เล็กกว่าอาจไม่สามารถล๊อคเครื่องมือในตำแหน่งปิดได้อย่างเหมาะสม และอาจทำให้เครื่องมือทำงานโดยไม่ตั้งใจซึ่งส่งผลให้ได้รับบาดเจ็บสาหัสได้



## การฉายแนวการตัด

**⚠ ข้อควรระวัง:** ดวงไฟไม่กันฝน อย่าล้างดวงไฟในน้ำหรือใช้กลางฝนหรือพื้นที่ที่เปียก การกระทำเช่นนี้อาจทำให้เกิดไฟฟ้าช็อตและควินได้

**⚠ ข้อควรระวัง:** อย่าสัมผัสเลนส์ของดวงไฟเนื่องจากดวงไฟจะร้อนมากในขณะที่ไฟเปิดหรือหลังจากปิดไฟสักครู่ เนื่องจากอาจทำให้ผิวไหม้ได้

**⚠ ข้อควรระวัง:** อย่ากระแทกตรงดวงไฟ ซึ่งอาจทำให้ดวงไฟเสียหายหรืออายุการใช้งานสั้นลง

**⚠ ข้อควรระวัง:** อย่ามองเข้าไปในดวงไฟหรือจ้องดูแหล่งกำเนิดแสงโดยตรง

ไฟ LED จะฉายแสงเหนือใบเลื่อยวงกลม และเงาของใบเลื่อยจะทาบลงบนชิ้นงานเพื่อเป็นตัวชี้แนวการตัดแบบไม่ต้องการเทียบมาตรฐาน กดปุ่มดวงไฟเพื่อให้แสงสว่างแนวเส้นที่ใบเลื่อยบรรจบกับพื้นผิวของชิ้นงานจะแสดงขึ้นมา และจะลึกขึ้นเมื่อกดใบเลื่อยต่ำลง

▶ **หมายเลข 35:** 1. ปุ่มดวงไฟ 2. ดวงไฟ 3. แนวการตัด

ตัวชี้ช่วยให้ตัดผ่านเส้นตัดที่มีอยู่แล้วซึ่งเขียนด้วยดินสออยู่บนชิ้นงาน

1. จับมือจับและกดใบเลื่อยวงกลมเพื่อให้เงาใบเลื่อยสีเข้มทาบทับชิ้นงาน
2. จัดตำแหน่งเส้นตัดที่วาดไว้บนชิ้นงานให้ตรงกับเงาแนวการตัด
3. ปรับองศาการบากและองศามุมเอียงหากจำเป็น

**หมายเหตุ:** ตรวจสอบให้แน่ใจว่าปิดสวิตช์ดวงไฟหลังจากการใช้งาน เนื่องจากการเปิดไฟไว้จะทำให้เปลืองพลังงานแบตเตอรี่

**หมายเหตุ:** ไฟจะปิดเองอัตโนมัติหลังจากที่คุณหยุดทำงาน 5 นาที

## ฟังก์ชันอิเล็กทรอนิกส์

### เบรกไฟฟ้า

เครื่องมือนี้มีเบรกใบเลื่อยไฟฟ้า หากเครื่องมือไม่สามารถหยุดการทำงานได้อย่างรวดเร็วหลังจากปล่อยสวิตช์สั่งงานให้นำเครื่องมือไปรับการซ่อมที่ศูนย์บริการของ Makita

**⚠ ข้อควรระวัง:** ระบบเบรกใบเลื่อยจะไม่สามารถใช้แทนที่ป้องกันใบเลื่อยได้ ห้ามใช้เครื่องมือโดยที่ป้องกันใบเลื่อยไม่ทำงาน ใบเลื่อยที่ไม่มีอุปกรณ์ป้องกันอาจส่งผลได้รับบาดเจ็บสาหัส

## ระบบควบคุมความเร็วที่

เครื่องมือนี้มีระบบควบคุมความเร็วอิเล็กทรอนิกส์ซึ่งจะช่วยคงความเร็วการหมุนของใบเลื่อยให้คงที่แม้จะทำงานด้วยความเร็วการหมุนของใบเลื่อยที่คงที่จะทำให้ตัดได้อย่างราบเรียบ

### คุณสมบัติของฟัสตาร์ท

ฟังก์ชันนี้จะทำให้เครื่องมือเริ่มทำงานได้อย่างราบเรียบโดยการจำกัดแรงบิดในการเริ่มทำงาน

## การประกอบ

**⚠ คำเตือน:** ตรวจสอบให้แน่ใจว่าได้ปิดสวิตช์เครื่องมือและถอดปลั๊กแบตเตอรี่ออกก่อนใช้งานเครื่องมือ การไม่ปิดเครื่องมือและถอดปลั๊กแบตเตอรี่ออกอาจจะเป็นสาเหตุของการบาดเจ็บร้ายแรงได้

### การเก็บประแจหกเหลี่ยม

เมื่อไม่ใช้งาน ให้เก็บประแจหกเหลี่ยมตามที่แสดงในภาพเพื่อไม่ให้สูญหาย

▶ **หมายเลข 36:** 1. ประแจหกเหลี่ยม

### การถอดหรือการติดตั้งใบเลื่อย

**⚠ คำเตือน:** ตรวจสอบให้แน่ใจว่าปิดสวิตช์เครื่องมือและถอดปลั๊กแบตเตอรี่ออกแล้วก่อนทำการถอดและติดตั้งใบเลื่อยวงกลม การที่เครื่องมือเริ่มทำงานโดยบังเอิญอาจทำให้ได้รับบาดเจ็บร้ายแรง

**⚠ คำเตือน:** ใช้เฉพาะประแจของ Makita ที่มีมาให้เพื่อถอดและติดตั้งใบเลื่อยวงกลม หากไม่ใช่ประแจอาจส่งผลให้ชิ้นสลักเกลียวหัวบ็อกซ์หกเหลี่ยมแน่นเกินไปหรือหลวมเกินไปและทำให้ได้รับบาดเจ็บร้ายแรง

**⚠ คำเตือน:** ห้ามใช้หรือเปลี่ยนชิ้นส่วนที่ไม่ได้มีมาให้พร้อมกับเครื่องมือนี้ การใช้ชิ้นส่วนดังกล่าวอาจทำให้ได้รับบาดเจ็บสาหัสได้

**⚠ คำเตือน:** หลังจากติดตั้งใบเลื่อยวงกลมแล้ว ตรวจสอบให้แน่ใจว่าได้ติดตั้งอย่างแน่นหนาดีแล้ว อุปกรณ์ต่อพ่วงของใบเลื่อยวงกลมที่หลวมอาจทำให้ได้รับบาดเจ็บสาหัสได้

## การถอดใบเลื่อย

การถอดใบเลื่อยวงกลม ให้ทำตามขั้นตอนต่อไปนี้

1. ล็อคโครงยกในตำแหน่งยกขึ้นโดยดึงและหมุนเข็มสต็อปเปอร์ในตำแหน่งล็อค

▶ **หมายเลข 37:** 1. เข็มสต็อปเปอร์ 2. ตำแหน่งปลดล็อค 3. ตำแหน่งล็อค

2. ใช้ประแจหกเหลี่ยมเพื่อคลายสลักเกลียวหกเหลี่ยมที่ยึดฝาครอบตรงกลาง แล้วยกที่ป้องกันใบเลื่อยและฝาครอบตรงกลางขึ้น

▶ **หมายเลข 38:** 1. ประแจหกเหลี่ยม 2. สลักเกลียวหกเหลี่ยม 3. ฝาครอบตรงกลาง 4. ที่ป้องกันใบเลื่อย

3. กดล็อกก้านเพื่อล็อคแกนหมุนและใช้ประแจหกเหลี่ยมเพื่อคลายสลักเกลียวหัวบ็อกซ์หกเหลี่ยมตามเข็มนาฬิกา จากนั้นถอดสลักเกลียวหัวบ็อกซ์หกเหลี่ยม แกนตัวนอกและใบเลื่อยวงกลมออก

▶ **หมายเลข 39:** 1. สลักเกลียวหัวบ็อกซ์หกเหลี่ยม (ด้านซ้ายมือ) 2. แกนตัวนอก 3. ล็อคก้าน

4. ถัดออกแกนตัวนอกให้ติดตั้งไว้บนแกนหมุนด้วยด้านที่رنเข้าไประหว่างหน้าไปทางใบเลื่อยวงกลม ถ้าแกนติดตั้งอย่างไม่ถูกต้อง แกนจะเสียดสีกับเครื่องจักร

▶ **หมายเลข 40:** 1. สลักเกลียวหัวบ็อกซ์หกเหลี่ยม (ด้านซ้าย) 2. แกนตัวนอก 3. ใบเลื่อยวงกลม 4. แหวน 5. แกนตัวใน 6. แกนหมุน 7. ด้านที่رنเข้าไประหว่างหน้าไปทางใบเลื่อยวงกลม ให้ทำตามขั้นตอนต่อไปนี้

## การติดตั้งใบเลื่อย

**คำเตือน:** ก่อนการติดตั้งใบเลื่อยลงบนแกนหมุน ตรวจสอบให้แน่ใจว่าแหวนที่ถูกต้องสำหรับรุ่นของใบเลื่อยซึ่งคุณตั้งใจจะใช้นั้นได้ถูกติดตั้งระหว่างแกนตัวในและแกนตัวนอกแล้ว การใช้แหวนรุ่นเลื่อยที่ไม่ถูกต้องอาจทำให้ติดตั้งใบเลื่อยได้อย่างไม่ถูกต้อง เป็นเหตุให้ใบเลื่อยเคลื่อนที่และการสั่นสะเทือนอย่างรุนแรง ซึ่งอาจทำให้สูญเสียการควบคุมระหว่างการทำงานและทำให้เกิดบาดเจ็บสาหัส

**ข้อควรระวัง:** ตรวจสอบให้แน่ใจว่าทิศทางของลูกศรบนใบเลื่อยวงกลมตรงกับทิศทางของลูกศรบนที่ครอบใบเลื่อย มิฉะนั้นอาจทำให้เกิดการบาดเจ็บและก่อให้เกิดความเสียหายต่อเครื่องมือและ/หรือชิ้นงาน

การติดตั้งใบเลื่อยวงกลม ให้ทำตามขั้นตอนต่อไปนี้

1. ติดตั้งใบเลื่อยวงกลมลงบนแกนตัวในอย่างระมัดระวัง ตรวจสอบให้แน่ใจว่าทิศทางของลูกศรบนใบเลื่อยวงกลมตรงกับทิศทางของลูกศรบนที่ครอบใบเลื่อย

▶ **หมายเลข 41:** 1. ลูกศรบนรอบใบเลื่อย 2. ลูกศรบนใบเลื่อยวงกลม

2. ติดตั้งแกนตัวนอกและสลักเกลียวหัวบ็อกซ์หกเหลี่ยมแล้วใช้ประแจหกเหลี่ยมขันสลักเกลียวหัวบ็อกซ์หกเหลี่ยมทวนเข็มนาฬิกาให้แน่นในขณะที่ยึดล็อกก้าน

▶ **หมายเลข 42:** 1. สลักเกลียวหัวบ็อกซ์หกเหลี่ยม (ด้านซ้าย) 2. แกนตัวนอก 3. ใบเลื่อยวงกลม 4. แหวน 5. แกนตัวใน 6. แกนหมุน 7. ด้านที่رنเข้าไประหว่างหน้าไปทางใบเลื่อยวงกลม ให้ทำตามขั้นตอนต่อไปนี้

3. เก็บที่ป้องกันใบเลื่อยและฝาครอบตรงกลางกลับสู่ตำแหน่งเดิม จากนั้นขันสลักเกลียวหกเหลี่ยมตามเข็มนาฬิกาเพื่อยึดฝาครอบตรงกลาง

4. ดึงและหมุนเข็มสต็อปเปอร์ในตำแหน่งปลดล็อคเพื่อปล่อยโครงยกจากตำแหน่งยก ลดโครงยกให้ต่ำลงและตรวจสอบที่ป้องกันใบเลื่อยว่าเคลื่อนที่ได้อย่างเหมาะสม

**ข้อควรระวัง:** ตรวจสอบให้แน่ใจว่าได้ปลดล็อกก้านแกนหมุนก่อนทำการเลื่อย

## การต่อเครื่องดูดฝุ่น

หากต้องการทำความสะอาดงานตัด ให้ต่อที่ดูดฝุ่นของ Makita เข้ากับท่อดูดฝุ่น (ช่องดูดฝุ่นด้านบน) โดยใช้ข้อต่อด้านหน้าเบอร์ 24 (อุปกรณ์เสริม)

▶ **หมายเลข 43:** 1. ข้อต่อด้านหน้าเบอร์ 24 2. ท่อดูดฝุ่น 3. เครื่องดูดฝุ่น

## ถุงดักฝุ่น

**ข้อควรระวัง:** เมื่อทำการตัด ให้ติดตั้งถุงดักฝุ่นหรือเชื่อมต่อที่ดูดฝุ่นเสมอเพื่อป้องกันอันตรายต่างๆ ที่เกี่ยวข้องกับฝุ่น

การใช้ถุงดักฝุ่นทำให้การทำงานสะอาดและเก็บฝุ่นได้ง่าย การติดตั้งถุงดักฝุ่น ให้ถอดท่อดูดฝุ่นออกจากเครื่องมือ แล้วเชื่อมต่อถุงดักฝุ่นเข้ากับท่อดักฝุ่น (ช่องดักฝุ่นด้านบน)

▶ **หมายเลข 44:** 1. ท่อดูดฝุ่น 2. ถุงดักฝุ่น 3. ท่อดักฝุ่น (ช่องดักฝุ่นด้านบน)

เมื่อถุงดักฝุ่นเต็มถึงครึ่งถุงแล้ว ให้ถอดถุงดักฝุ่นออกจาก เครื่องมือแล้วดึงสายรัดออก ทั้งขณะในถุงดักฝุ่นออกให้หมด เคาะเบาๆ เพื่อให้เศษขยะที่อาจติดค้างอยู่ในถุงหลุดออก ป้องกันไม่ให้เกิดการสะสมในครั้งต่อไป

▶ **หมายเลข 45:** 1. สายรัด

## การยึดชิ้นงาน

**คำเตือน:** การใช้ประเภทตัวหนีบแนวตั้งหรือสตั๊ปเปอร์บัววมงที่ เหมาะสมในการยึดชิ้นงานให้แน่นเสมอม เป็น สิ่งที่สำคัญมาก การไม่ปฏิบัติตามอาจทำให้เกิดการบาด เจ็บสาหัสและก่อให้เกิดความเสียหายต่อเครื่องมือและ/ หรือชิ้นงาน

**คำเตือน:** เมื่อทำการตัดชิ้นงานที่ยาวกว่าฐานรองรับ ของเครื่องเลื่อยของศา ให้รองรับความยาวทั้งหมดของ วัสดุที่เลื่อยออกไปนอกฐานรองรับ เพื่อให้วัสดุอยู่ในระดับ เดียวกัน ตัวรองรับชิ้นงานที่เหมาะสมจะช่วยหลีกเลี่ยงไม่ให้ ไบเลื่อยบีบแน่นและติดกลับซึ่งอาจทำให้เกิดการบาดเจ็บ ร้ายแรงได้ อย่าพึ่งตัวหนีบแนวตั้งและ/หรือตัวหนีบแนว นอนเพียงอย่างเดียวในการยึดชิ้นงาน วัสดุที่บางอาจแฉ่น ลง รองรับชิ้นงานตลอดความยาวทั้งหมดเพื่อหลีกเลี่ยงไม่ ให้ไบเลื่อยบีบแน่นและอาจเกิดการติดกลับได้

▶ **หมายเลข 46:** 1. ตัวรอง 2. ฐานหมุน

## ฉากนำ

**คำเตือน:** ก่อนใช้งานเครื่องมือ ตรวจสอบให้แน่ใจฉล ฉากกันด้านบนอย่างแน่นหนาดีแล้ว

**คำเตือน:** ก่อนทำการตัดมุมเอียง ตรวจสอบให้แน่ใจ ว่าไม่มีชิ้นส่วนของเครื่องมือ โดยเฉพาะอย่างยิ่งไบ เลื่อย สัมผัสกับฉากกันด้านบนและด้านล่างเมื่อลดมือจับ ลงต่ำสุดและยกมือจับขึ้นสูงสุดในตำแหน่งใดๆ รวมถึงใน ขณะที่เลื่อนโครงยกในระหว่างการเคลื่อนที่จนสุด หากเครื่องมือ หรือไบมีดสัมผัสกับฉากกัน อาจส่งผลให้เกิดการติด กลับหรือการเคลื่อนที่ของวัสดุโดยไม่ตั้งใจ และทำให้ได้ รับบาดเจ็บสาหัสได้

ใช้ฉากกันด้านบนเพื่อรองรับวัสดุที่สูงกว่าฉากกันด้านล่าง ใส่ฉากกันด้านบนเข้ากับรูบนฉากกันด้านล่างแล้วขันให้แน่น ด้วยสกรูกันคลาย

▶ **หมายเลข 47:** 1. ฉากกันด้านบน 2. ฉากกันด้านล่าง 3. สกรูกันคลาย 4. สกรูปรับ

**ข้อสังเกต:** ฉากกันด้านล่างจะถูกยึดกับฐานมาจาก โรงงาน อย่านำฉากกันด้านล่างออก

**ข้อสังเกต:** ถ้าฉากกันด้านบนยังไม่แน่นหลังการขันสกรูกันคลายแล้ว ให้หมุนสกรูปรับเพื่อปิดช่องว่าง สกรูปรับ ถูกปรับมาจากโรงงาน คุณไม่จำเป็นต้องใช้สกรูปรับถ้า ไม่จำเป็น

เมื่อไม่ใช่ฉากกันด้านบน คุณสามารถเก็บไว้บนที่ของฐาน รองได้ ใช้คลิปหนีบฉากกันด้านบนเพื่อยึดไว้บนที่ของ ฐานรอง

▶ **หมายเลข 48:** 1. ฐานรอง 2. ฉากกันด้านบน 3. คลิป

## ตัวหนีบแนวตั้ง

**คำเตือน:** จะต้องยึดชิ้นงานแนบกับฐานหมุนและฉาก นำให้แน่นด้วยตัวหนีบในระหว่างการทำงาน หากชิ้น งานไม่ถูกยึดให้แนบกับฉากนำอย่างเหมาะสม วัสดุอาจ เคลื่อนที่ในระหว่างการตัดซึ่งอาจทำให้ไบเลื่อยเสียหาย ส่งผลให้วัสดุกระเด็นออกและสูญเสียการควบคุม ซึ่งเป็น สาเหตุให้ได้รับบาดเจ็บสาหัสได้

สามารถติดตั้งตัวหนีบแนวตั้งได้ทั้งด้านซ้ายหรือขวาของ ฐานและฐานรอง สอดก้านตัวหนีบลงในรูของฐานหรือฐาน รอง

▶ **หมายเลข 49:** 1. ตัวหนีบแนวตั้ง 2. รูสำหรับตัวหนีบ แนวตั้ง 3. ฐานรอง 4. ฐาน

▶ **หมายเลข 50:** 1. แขนหนีบ 2. แท่งหนีบ 3. สกรูกัน คลาย 4. ปุ่มหมุนตัวหนีบ

จัดตำแหน่งแขนหนีบตามความหนาและรูปทรงของชิ้นงาน และยึดแขนหนีบโดยการขันสกรูให้แน่น หากสกรูกันคลาย สัมผัสกับโครงยก ให้ติดตั้งตัวหนีบแนวตั้งเข้ากับฐานรอง หรือด้านตรงข้ามของฐาน ตรวจสอบให้แน่ใจว่าไม่มีส่วนของ เครื่องมือสัมผัสกับตัวหนีบเมื่อลดมือจับลงจนสุด หากมี ส่วนใดสัมผัสกับตัวหนีบ ให้เปลี่ยนตำแหน่งของตัวหนีบใหม่ กัดชิ้นงานให้แนบกับฉากนำและฐานหมุน จัดตำแหน่งของ ชิ้นงานที่ตำแหน่งการตัดที่ต้องการและยึดให้แน่นโดยขันหม มหมุนตัวหนีบให้แน่น

**หมายเหตุ:** สำหรับการติดตั้งชิ้นงานแบบเรี้นั้น ให้หมุน ปุ่มหมุนตัวหนีบทวนเข็มนาฬิกาไป 90° จะทำให้ปุ่มหมุน ตัวหนีบเลื่อนขึ้นลงได้ วิธีการยึดชิ้นงานหลังการติดตั้ง ให้ หมุนปุ่มหมุนตัวหนีบตามเข็มนาฬิกา

## ตัวหนีบแบนอน

### อุปกรณ์เสริม

**คำเตือน:** หมุนน็อตตัวหนีบตามเข็มนาฬิกาจนกระทั่งชิ้นงานถูกยึดอย่างเหมาะสม หากชิ้นงานไม่ถูกยึดไว้อย่างเหมาะสม วัสดุอาจเคลื่อนที่ในระหว่างทำการตัด ซึ่งอาจทำให้ใบเลื่อยวงกลมเสียหาย ส่งผลให้วัสดุกระเด็นออกและสูญเสียการควบคุม ซึ่งเป็นสาเหตุให้ได้รับบาดเจ็บสาหัสได้

**คำเตือน:** เมื่อตัดชิ้นงานที่มีขนาดบาง เช่น แผ่นรองฐาน ให้ใช้ตัวหนีบแบนอนยึดกับฉากเสมอ

**ข้อควรระวัง:** เมื่อตัดชิ้นงานที่มีความหนาไม่เกิน 20 mm ตรวจสอบให้แน่ใจว่าได้ใช้บล็อกตัวรองในการยึดชิ้นงานแล้ว

สามารถติดตั้งตัวหนีบแบนอนที่ด้านซ้ายหรือด้านขวาของฐานก็ได้ เมื่อทำการตัดองศามุมมากที่มากกว่า 22.5° ให้ติดตั้งตัวหนีบแบนอนในตำแหน่งตรงข้ามที่ฐานหมุนจะหมุน

► **หมายเลข 51:** 1. แผ่นจับงาน 2. น็อตตัวหนีบ 3. ปุ่มหมุนตัวหนีบ

เพียงแค่วงล้อน็อตตัวหนีบทวนเข็มนาฬิกา ตัวหนีบก็จะคลาย และสามารถเคลื่อนเข้าและออกได้อย่างรวดเร็ว เมื่อต้องการจับชิ้นงาน ให้ดันปุ่มหมุนตัวหนีบไปด้านหน้าจนกระทั่งแผ่นจับงานสัมผัสกับชิ้นงานและวงล้อน็อตตัวหนีบตามเข็มนาฬิกา จากนั้นหมุนปุ่มหมุนตัวหนีบตามเข็มนาฬิกาเพื่อยึดชิ้นงาน

**หมายเหตุ:** ความกว้างสูงสุดของชิ้นงานที่ตัวหนีบแบนอนสามารถยึดได้คือ 228 mm

### ฐานรอง

**คำเตือน:** รองรับชิ้นงานที่ยาวเสมอเพื่อให้อยู่ในระดับเดียวกับกับพื้นผิวด้านบนของฐานหมุน เพื่อให้ทำการตัดได้อย่างแม่นยำและป้องกันอันตรายจากการสูญเสียการควบคุมเครื่องมือ ตัวรองชิ้นงานที่เหมาะสมจะช่วยให้ใบเลื่อยมีบัพแน่นและติดกับชิ้นงานทำให้ได้รับบาดเจ็บสาหัสได้

**คำเตือน:** ก่อนทำการตัด ตรวจสอบให้แน่ใจว่าฐานรองถูกยึดด้วยสกรูแล้วเสมอ

เพื่อให้ยึดชิ้นงานในแบนอนได้ จึงมีฐานรองมาให้ทั้งสองด้านของเครื่องมือ คลายสกรูและยึดฐานรองออกให้มีความยาวที่เหมาะสมสำหรับยึดชิ้นงาน จากนั้นขันสกรูให้แน่น

► **หมายเลข 52:** 1. ฐานรอง 2. สกรู

เมื่อทำการตัด ให้วางแผ่นชิ้นงานให้แนบกับฉากนำและฉากรองบนฐานรอง

► **หมายเลข 53:** 1. ฉากนำ 2. ฉากรอง 3. ฐานรอง

## การใช้งาน

เครื่องมือนี้ใช้สำหรับตัดผลิตภัณฑ์ไม้ นอกจากนี้ เมื่อใช้ใบเลื่อยของแท่งของ Makita ที่เหมาะสม ยังสามารถเลื่อยวัสดุดังต่อไปนี้ได้ด้วย:

— ผลิตภัณฑ์อะลูมิเนียม

โปรดดูใบเลื่อยวงกลมที่เหมาะสมที่ใช้สำหรับวัสดุที่จะตัดที่เว็บไซต์ของเรา หรือติดต่อตัวแทนของ Makita ใกล้บ้านคุณ

**คำเตือน:** ตรวจสอบให้แน่ใจว่าใบเลื่อยไม่ได้สัมผัสกับชิ้นงาน ขณะ อยู่ ก่อนเปิดสวิตช์ การเปิดเครื่องมือโดยที่ใบมีดสัมผัสกับชิ้นงานอยู่อาจส่งผลให้เกิดการตีกลับและได้รับบาดเจ็บสาหัสได้

**คำเตือน:** หลังตัดเสร็จแล้ว อย่าเพิ่งยกใบเลื่อยออกจากงานว่าใบเลื่อยจะหยุดสนิท การยกใบเลื่อยที่กำลังหมุนอยู่อาจส่งผลให้ได้รับบาดเจ็บสาหัสและทำให้ชิ้นงานเสียหายได้

**คำเตือน:** อย่าทำการปรับต่างๆ เช่น ปรับด้ามจับ ปุ่มหมุน และก้านต่างๆ บนเครื่องมือในขณะที่ใบเลื่อยกำลังหมุนอยู่ การปรับขณะที่ใบเลื่อยหมุนอยู่อาจทำให้ได้รับบาดเจ็บสาหัสได้

**ข้อสังเกต:** ก่อนใช้ ตรวจสอบให้แน่ใจว่าได้ปลดล็อกเข็มสตอปเปอร์และปล่อยมือจับจากตำแหน่งต่ำแล้ว

**ข้อสังเกต:** อย่าใช้แรงกดมากเกินไปในระหว่างที่ตัด การใช้แรงกดมากเกินไปอาจทำให้มอเตอร์ทำงานหนักเกินไปและ/หรือทำให้ประสิทธิภาพการตัดลดลง กดด้ามจับลงโดยใช้แรงกดตามที่จำเป็นให้สามารถทำการตัดได้อย่างราบรื่นโดยไม่ทำให้ความเร็วใบเลื่อยลดลง

**ข้อสังเกต:** กดด้ามจับลงเบาๆ เพื่อทำการตัด หากใช้แรงกดหรือหรือเพิ่มแรงกดขึ้น ใบเลื่อยอาจสั่นและทั้งร่องรอย (รอยเลื่อย) บนชิ้นงานและความแม่นยำในการตัดอาจลดลง

**ข้อสังเกต:** ระหว่างทำการตัดสไลด์ ให้กดโครงยกเข้าหากำหนดเบาๆ โดยไม่หยุด ถ้าหยุดการเคลื่อนที่ของโครงยกระหว่างการตัด อาจทำให้ชิ้นงานมีตำหนิและความแม่นยำของการตัดจะลดลง

## การตัดแบบกด

**คำเตือน:** ลือคการเคลื่อนที่สไลด์ของโครงยกเมื่อกดโครงยกเพื่อตัดเสมอ การตัดโดยไม่ลือคอาจทำให้เกิดการตีกลับซึ่งทำให้ได้รับบาดเจ็บสาหัสได้

ชิ้นงานที่มีความสูงถึง 92 mm และความกว้าง 183 mm สามารถตัดได้ในลักษณะต่อไปนี้

► **หมายเลข 54:** 1. เชื่อมสตัดปเปอร์

1. ดันโครงยกเข้าหาฉากนำจนกระทั่งโครงยกหยุดและลือคด้วยเชื่อมสตัดปเปอร์
2. ยึดชิ้นงานด้วยตัวหนีบประเภทที่เหมาะสม
3. เปิดสวิตช์เครื่องมือโดยอย่าให้ใบเลื่อยวงกลมสัมผัสกับสิ่งใดๆ และรอจนกระทั่งใบเลื่อยวงกลมทำงานที่ความเร็วสูงสุดก่อนลดใบเลื่อยลง
4. ค่อยๆ ลดด้ามจับลงไปยังตำแหน่งต่ำสุดเพื่อตัดชิ้นงาน
5. เมื่อตัดเสร็จแล้ว ให้ปิดสวิตช์เครื่องมือและรอจนกระทั่งใบเลื่อยวงกลมหยุดสนิทก่อนนำใบเลื่อยวงกลมกลับไปไปยังตำแหน่งยกจนสุด

## การตัดสไลด์ (ดัน) (การตัดชิ้นงานที่มีขนาดกว้าง)

**คำเตือน:** เมื่อทำการตัดสไลด์ ชิ้นแรกให้ตั้งด้ามเข้าหาตัวจนสุดและกดด้ามจับลงจนสุด แล้วกดด้ามเข้าหาฉากนำ ห้ามเริ่มทำการตัดโดยที่ยังไม่ได้ตั้งด้ามเข้าหาตัวจนสุด ถ้าคุณทำการตัดสไลด์โดยที่ยังไม่ได้ตั้งด้ามเข้าหาตัวจนสุด อาจเกิดการตีกลับขึ้นอย่างคาดไม่ถึง และการบาดเจ็บร้ายแรง

**คำเตือน:** ห้ามพยายามทำการตัดสไลด์โดยตั้งด้ามเข้าหาตัว การตั้งด้ามเข้าหาตัวขณะตัดอาจทำให้เกิดการตีกลับอย่างคาดไม่ถึง ส่งผลให้เกิดการบาดเจ็บร้ายแรงได้

**คำเตือน:** ห้ามทำการตัดสไลด์โดยที่ด้ามจับลือคอยู่ในตำแหน่งต่ำสุด

► **หมายเลข 55:** 1. เชื่อมสตัดปเปอร์

1. ปลดลือคเชื่อมสตัดปเปอร์เพื่อให้โครงยกเคลื่อนที่ได้อย่างอิสระ
2. ยึดชิ้นงานด้วยตัวหนีบประเภทที่เหมาะสม
3. ตั้งด้ามเข้าหาตัวจนสุด
4. เปิดสวิตช์เครื่องมือโดยไม่ให้ใบเลื่อยสัมผัสกับชิ้นงานและรอจนกระทั่งใบเลื่อยทำงานจนถึงความเร็วสูงสุด

5. กดด้ามจับลงและดันด้ามเข้าหาฉากนำและดันผ่านชิ้นงานไป

6. เมื่อตัดเสร็จ ให้ปิดสวิตช์เครื่องมือและรอจนกระทั่งใบเลื่อยหยุดสนิทแล้ว ก่อนยกใบเลื่อยกลับไปไปยังตำแหน่งยกขึ้นสูงสุด

## การตัดบาก

โปรดดูที่ส่วนสำหรับการปรับองศามุมบาก

## การตัดมุมเอียง

**คำเตือน:** หลังจากตั้งค่าใบเลื่อยสำหรับการตัดมุมเอียงแล้ว ให้ตรวจสอบว่าโครงยกและใบเลื่อยสามารถเคลื่อนที่ได้อย่างอิสระในระยการตัดที่ต้องการทั้งหมด ก่อนใช้งานเครื่องมือ การขัดขวางการเคลื่อนที่ของโครงยกหรือใบเลื่อยในระหว่างการตัดอาจส่งผลให้เกิดการตีกลับและทำให้ได้รับบาดเจ็บสาหัสได้

**คำเตือน:** ในระหว่างทำการตัดมุมเอียง ให้ดูแลให้มืออยู่ห่างจากเส้นทางของใบเลื่อย มุมของใบเลื่อยอาจทำให้ผู้ใช้งานลื่นล้มอันเนื่องมาจากเส้นทางของใบเลื่อยจริงในขณะที่ทำการตัดและการสัมผัสกับใบเลื่อยจะส่งผลให้ได้รับบาดเจ็บสาหัสได้

**คำเตือน:** ไม่ควรยกใบเลื่อยขึ้นจนกว่าใบเลื่อยจะหยุดสนิทแล้ว ในระหว่างทำการตัดมุมเอียง ชิ้นส่วนที่ถูกตัดออกอาจติดกับใบเลื่อยอยู่ หากยกใบเลื่อยขึ้นในขณะที่ใบเลื่อยกำลังหมุนอยู่ ชิ้นส่วนที่ถูกตัดออกอาจถูกดีดออกด้วยใบเลื่อยซึ่งทำให้วัสดุแตกออกเป็นชิ้นๆ และอาจส่งผลให้ได้รับบาดเจ็บสาหัสได้

**ข้อสังเกต:** เมื่อกดด้ามจับลง ให้ใช้แรงกดขนานกับใบเลื่อย ถ้าใช้แรงในแนวตั้งฉากกับฐานหมุน หรือถ้าทิศทางของแรงกดเปลี่ยนแปลงระหว่างการตัด ความแม่นยำในการตัดจะลดลง

► **หมายเลข 56**

1. ถอดฉากกันด้านบนในด้านที่คุณกำลังจะเอียงโครงยก
2. ปลดลือคเชื่อมสตัดปเปอร์
3. ปรับมุมเอียงตามขั้นตอนที่อธิบายไว้ในส่วนการปรับมุมเอียง จากนั้นขันปุมหมุนให้แน่น
4. ยึดชิ้นงานด้วยตัวหนีบ
5. ตั้งด้ามเข้าหาตัวจนสุด
6. เปิดเครื่องมือโดยไม่ให้ใบเลื่อยสัมผัสกับชิ้นงานแล้วรอให้ใบเลื่อยมีความเร็วสูงสุด

7. ลดตำมจับลงเบาๆ จนถึงตำแหน่งต่ำสุดระหว่างที่ใช้แรงกดขนานกับใบเลื่อยและดินลับเข้าหากันเพื่อตัดชิ้นงาน

8. เมื่อตัดเสร็จแล้ว ให้เปิดเครื่องมือแล้วรอนกระทั้งใบเลื่อยหยุดสนิทก่อนที่จะยกใบเลื่อยกลับสู่ตำแหน่งสูงสุด

### การตัดแบบผสม

การตัดแบบผสมคือกระบวนการเพิ่มมุมเอียงพร้อมๆ กับตัดชิ้นงานแบบฉาก สามารถทำการตัดแบบผสมได้ด้วยองศาตามที่แสดงในตาราง

องศาการบาก	องศามุมเอียง
ซ้ายและขวา 0° - 45°	ซ้ายและขวา 0° - 45°

เมื่อทำการตัดแบบผสม โปรดดูที่ส่วนการตัดกด การตัดสไลด์ (ต้น) การตัดมุมฉาก และการตัดมุมเอียง

### การตัดบัวเชิงผนัง

**⚠ ข้อควรระวัง:** ตรวจสอบให้แน่ใจว่าใช้ตัวหนีบนวนนอน (อุปกรณ์เสริม) เมื่อทำการตัดบัวเชิงผนัง

**⚠ ข้อควรระวัง:** เมื่อตัดชิ้นงานที่มีความหนาไม่เกิน 20 mm ตรวจสอบให้แน่ใจว่าได้ใช้บล็อกตัวรองในการยึดชิ้นงานแล้ว

เมื่อทำการตัดบัวเชิงผนังที่องศามุมฉาก 45° ให้ติดก้านสต็อปเปอร์เพื่อป้องกันไม่ให้อุปกรณ์ใบเลื่อยสัมผัสบัวเชิงผนัง ก้านจะช่วยรักษาระยะห่างระหว่างบัวเชิงผนังและกรอบใบเลื่อยเมื่อโครงยกถูกดันมาข้างหน้าจนสุด สำหรับความสามารถในการตัดบัวเชิงผนัง โปรดดูที่ข้อมูลจำเพาะ

- **หมายเลข 57:** 1. ก้านสต็อปเปอร์ 2. บล็อกตัวรอง 3. ตัวหนีบนวนนอน

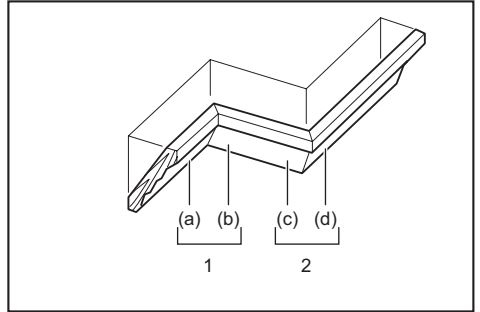
### การตัดยอดและส่วนเว้าของแบบพิมพ์

ยอดและการพิมพ์ส่วนเว้าสามารถตัดบนแท่นเลื่อยตัดองศาฯ โดยให้แบบพิมพ์วางราบบนฐานหมุน

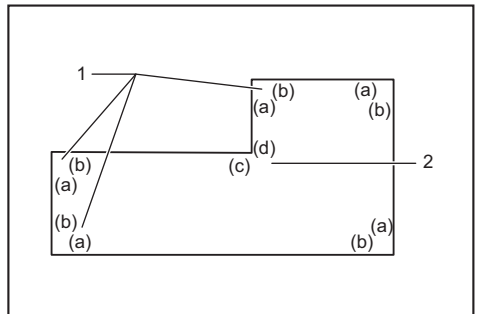
แบบพิมพ์ยอดโดยทั่วไปมีสองประเภทและแบบพิมพ์เว้าหนึ่งประเภท ได้แก่ แบบพิมพ์ยอดมุมก้ำกั้ว 52/38°, แบบพิมพ์ยอดมุมก้ำกั้ว 45° และแบบพิมพ์ส่วนเว้ามุมก้ำกั้ว 45°

- **หมายเลข 58:** 1. แบบพิมพ์ยอดมุมก้ำกั้ว 52/38°  
2. แบบพิมพ์ยอดมุมก้ำกั้ว 45°  
3. แบบพิมพ์ส่วนเว้ามุมก้ำกั้ว 45°

มีข้อต่อแบบพิมพ์ยอดและส่วนเว้าซึ่งทำขึ้นเพื่อให้เข้ากับมุม 90° “ด้านใน” ((a) และ (b) ในรูป) และมุม 90° “ด้านนอก” ((c) และ (d) ในรูป)



1. มุมด้านใน 2. มุมด้านนอก



1. มุมด้านใน 2. มุมด้านนอก

### การวัดขนาด

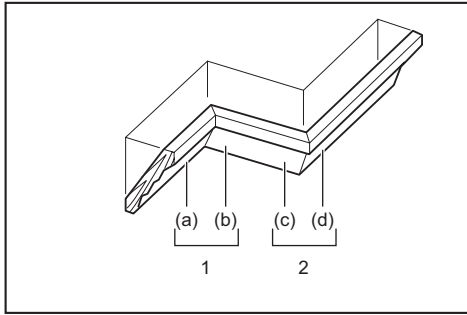
วัดขนาดความกว้างก้ำกั้ว และปรับความกว้างของชิ้นงานตามนั้น โปรดตรวจสอบให้แน่ใจว่าความกว้างของขอบสัมผัสของก้ำกั้วของชิ้นงานเหมือนกับความยาวของก้ำกั้ว

- **หมายเลข 59:** 1. ชิ้นงาน 2. ความกว้างของก้ำกั้ว 3. ความกว้างของชิ้นงาน 4. ขอบสัมผัสของก้ำกั้ว

ใช้ชิ้นส่วนหลายๆ ชิ้นในการตัดทดสอบเพื่อตรวจสอบมุมใบเลื่อยเสมอ

เมื่อทำการตัดยอดและส่วนเว้าของแบบพิมพ์ ให้ตั้งค่ามุมเอียงและองศาการบากที่ตั้งแสดงไว้ในตาราง (A) และวางตำแหน่งแบบพิมพ์บนพื้นผิวด้านบนของฐานเลื่อยตามรูปในตาราง (B)

## ในกรณีของการตัดมุมเอียงซ้าย



1. มุมด้านใน 2. มุมด้านนอก

ตาราง (A)

—	ตำแหน่ง แบบ พิมพ์ ในรูป	องศามุมเอียง		องศาการบาก	
		ประเภท 52/38°	ประเภท 45°	ประเภท 52/38°	ประเภท 45°
สำหรับ มุม ด้านใน	(a)	ซ้าย 33.9°	ซ้าย 30°	ขวา 31.6°	ขวา 35.3°
	(b)			ซ้าย 31.6°	ซ้าย 35.3°
สำหรับ มุมด้าน นอก	(c)			ขวา 31.6°	ขวา 35.3°
	(d)			ขวา 31.6°	ขวา 35.3°

ตาราง (B)

—	ตำแหน่งแบบ พิมพ์ในรูป	ขอบแบบ พิมพ์กับ ฉากนำ	ขั้นที่เสร็จแล้ว
สำหรับมุม ด้านใน	(a)	ขอบสัมผัส เพดานควรติด กับฉากนำ	ขั้นที่เสร็จแล้ว จะอยู่ทางด้าน ซ้ายของใบ เลื่อย
	(b)	ขอบสัมผัส กำแพงควร ติดกับฉากนำ	ขั้นที่เสร็จแล้ว จะอยู่ทางด้าน ขวาของใบ เลื่อย
สำหรับมุม ด้านนอก	(c)	ขอบสัมผัส เพดานควรติด กับฉากนำ	ขั้นที่เสร็จแล้ว จะอยู่ทางด้าน ซ้ายของใบ เลื่อย
	(d)	ขอบสัมผัส เพดานควรติด กับฉากนำ	ขั้นที่เสร็จแล้ว จะอยู่ทางด้าน ขวาของใบ เลื่อย

ตัวอย่าง:

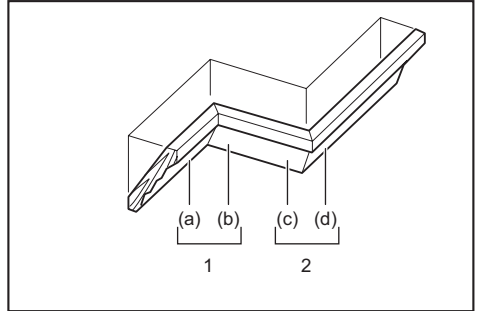
ในกรณีนี้ที่ตัดแบบพิมพ์ยอดประเภท 52/38° สำหรับตำแหน่ง

(a) ในรูปด้านบน

- เอียงและยึดการตั้งค่ามุมเอียงไว้ที่ 33.9° ซ้าย
- ปรับและยึดการตั้งค่าองศาการบากไว้ที่ 31.6° ขวา

- วางแบบพิมพ์ยอดโดยให้พื้นผิวด้านหลังที่กว้าง (ที่ซ่อนไว้) คร่าไว้กับฐานหมุนโดยให้ขอบสัมผัสเพดานติดกับฉากนำบนเลื่อย
- ขั้นที่เสร็จแล้วจะนำไปใช้จะอยู่ทางด้านซ้ายของใบเลื่อยหลังจากทำการตัดแล้ว

## ในกรณีของการตัดมุมเอียงขวา



1. มุมด้านใน 2. มุมด้านนอก

ตาราง (A)

—	ตำแหน่ง แบบ พิมพ์ ในรูป	องศามุมเอียง		องศาการบาก	
		ประเภท 52/38°	ประเภท 45°	ประเภท 52/38°	ประเภท 45°
สำหรับ มุม ด้านใน	(a)	ขวา 33.9°	ขวา 30°	ขวา 31.6°	ขวา 35.3°
	(b)			ซ้าย 31.6°	ซ้าย 35.3°
สำหรับ มุมด้าน นอก	(c)			ขวา 31.6°	ขวา 35.3°
	(d)			ขวา 31.6°	ขวา 35.3°

ตาราง (B)

—	ตำแหน่งแบบ พิมพ์ในรูป	ขอบแบบ พิมพ์กับ ฉากนำ	ขั้นที่เสร็จแล้ว
สำหรับมุม ด้านใน	(a)	ขอบสัมผัส ผนังควรติด กับฉากนำ	ขั้นที่เสร็จแล้ว จะอยู่ทางด้าน ขวาของใบ เลื่อย
	(b)	ขอบสัมผัส เพดานควรติด กับฉากนำ	ขั้นที่เสร็จแล้ว จะอยู่ทางด้าน ซ้ายของใบ เลื่อย
สำหรับมุม ด้านนอก	(c)	ขอบสัมผัส ผนังควรติด กับฉากนำ	ขั้นที่เสร็จแล้ว จะอยู่ทางด้าน ขวาของใบ เลื่อย
	(d)	ขอบสัมผัส เพดานควรติด กับฉากนำ	ขั้นที่เสร็จแล้ว จะอยู่ทางด้าน ซ้ายของใบ เลื่อย



ตัวอย่าง:

ในกรณีที่ตั้งแบบพิมพ์ยอดประเภท 52/38° สำหรับตำแหน่ง (a) ในรูปด้านบน

- เอียงและยึดการตั้งค่างองศามุมเอียงไว้ที่ 33.9° ด้านขวา
- ปรับและยึดการตั้งค่างองศาการบากไว้ที่ 31.6° ซ้าย
- วางบัวผนังโดยให้พื้นผิวด้านหลังที่กว้าง (ที่ซ่อนไว้) คว่ำไว้กับฐานหมุนโดยให้ขอบสัมผัสผนังติดกับฉากนำบนเล็กน้อย
- ชั้นที่เสร็จแล้วที่จะนำไปใช้จะอยู่ทางด้านขวาของใบเลื่อยหลังจากทำการตัดแล้ว

## สต็อปเปอร์บัวผนัง

### อุปกรณ์เสริม

สต็อปเปอร์บัวผนังจะทำให้ตัดบัวผนังได้ง่ายขึ้นโดยไม่ต้องเอียงใบเลื่อย ติดตั้งสต็อปเปอร์บัวผนังไว้ที่ฐานหมุนตามภาพ

### ที่องศามุมมากขวา 45°

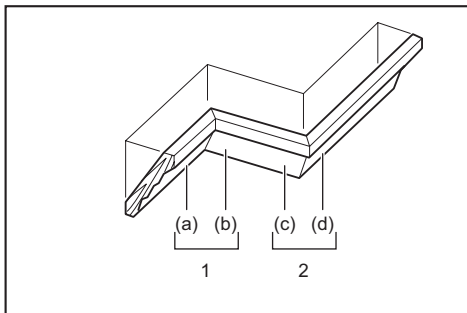
- **หมายเลข 60:** 1. สต็อปเปอร์บัวผนัง (ซ้าย) 2. สต็อปเปอร์บัวผนัง (ขวา) 3. ฐานหมุน 4. ฉากนำ

### ที่องศามุมมากซ้าย 45°

- **หมายเลข 61:** 1. สต็อปเปอร์บัวผนัง (ซ้าย) 2. สต็อปเปอร์บัวผนัง (ขวา) 3. ฐานหมุน 4. ฉากนำ

จัดตำแหน่งบัวผนังโดยให้ขอบสัมผัสผนังติดกับฉากนำ และขอบสัมผัสพื้นติดกับสต็อปเปอร์บัวผนังตามภาพ ปรับสต็อปเปอร์บัวผนังตามขนาดของบัวผนัง ขึ้นสกรูเพื่อยึดสต็อปเปอร์บัวผนัง ดูองศามุมมากได้ที่ตาราง (C)

- **หมายเลข 62:** 1. ฉากนำ 2. สต็อปเปอร์บัวผนัง



1. มุมด้านใน 2. มุมด้านนอก

## ตาราง (C)

—	ตำแหน่งแบบพิมพ์ในรูป	องศามุมมาก	ชั้นที่เสร็จแล้ว
สำหรับมุมด้านใน	(a)	ขวา 45°	บันทึกด้านขวาของใบเลื่อย
	(b)	ซ้าย 45°	บันทึกด้านซ้ายของใบเลื่อย
สำหรับมุมด้านนอก	(c)		บันทึกด้านขวาของใบเลื่อย
	(d)	ขวา 45°	บันทึกด้านซ้ายของใบเลื่อย

## การตัดอะลูมิเนียมขึ้นรูป

- **หมายเลข 63:** 1. ตัวหนีบ 2. บล็อกตัวรอง 3. ฉากนำ 4. อะลูมิเนียมขึ้นรูป 5. บล็อกตัวรอง

เมื่อทำการยึดอะลูมิเนียมขึ้นรูป โปรดใช้บล็อกตัวรองหรือเศษวัสดุเพื่อป้องกันการบิดรูปของอะลูมิเนียม ใช้น้ำมันหล่อลื่นสำหรับการตัดเมื่อทำการตัดอะลูมิเนียมขึ้นรูปเพื่อป้องกันการสะสมของเศษอะลูมิเนียมบนใบเลื่อยวงกลม

**▲ คำเตือน:** อย่าพยายามตัดอะลูมิเนียมขึ้นรูปที่มีความหนาหรือมีรูปทรงกลม อะลูมิเนียมขึ้นรูปที่มีความหนาหรือมีรูปทรงกลมอาจทำการยึดได้ยากและซึ่งงานอาจคลายระหว่างทำการตัดซึ่งอาจสูญเสียการควบคุมและทำให้ได้รับบาดเจ็บสาหัสได้

## เทคนิคความสามารถในการตัดความกว้างสูงสุดเป็นพิเศษ

สามารถใช้ความกว้างในการตัดสูงสุดได้โดยปฏิบัติตามขั้นตอนด้านล่างนี้

สำหรับความกว้างในการตัดสูงสุดของเครื่องมือ โปรดดูที่ความสามารถในการตัดสำหรับการตัดแบบพิเศษในส่วนข้อมูลจำเพาะ

1. ตั้งเครื่องมือไว้ที่องศามุมมาก 0° หรือ 45° แล้วตรวจสอบให้แน่ใจว่าล้อครานหมุนแล้ว (โปรดดูที่ส่วนการปรับองศามุมมาก)
2. ถอดฉากกันด้านขวาและซ้ายออกชั่วคราวและวางไว้

3. ตัดแทนให้มีความหนาตามที่ระบุในภาพโดยใช้วัสดุที่หนา 38 mm และราบเรียบ เช่น ไม้ ไม้สน หรือไม้ ไม้อัด หรือ พาร์ติเคิลบอร์ด

- **หมายเลข 64:** 1. อองสามมุมปาก 0° มากกว่า 450 mm 2. อองสามมุมปาก 45° มากกว่า 325 mm 3. 38 mm 4. มากกว่า 760 mm

**คำเตือน:** ตรวจสอบให้แน่ใจว่าได้ใช้ไม้ที่ราบเรียบเป็น แทน ไม้ที่ไม่ราบเรียบอาจเคลื่อนที่ระหว่างการติดตั้งอาจทำให้เกิดการติดกลับและทำให้ได้รับบาดเจ็บสาหัสได้

**หมายเหตุ:** ระดับความสูงของความสามารถในการตัด สูงสุดจะลดลงเท่ากับความหนาของแทน

4. วางแทนไว้บนเครื่องมือโดยให้ยื่นออกจากด้านข้างของฐานหมอนข้างละเท่าๆ กัน ยึดแทนเข้ากับเครื่องมือโดยขันสกรูไม้ขนาด 6 mm เข้าไปในรูทั้งสองในฉากกันด้านล่าง

- **หมายเลข 65:** 1. สกรู (ด้านละสองตัว) 2. ฉากกันด้านล่าง 3. ฐาน 4. แทน

**คำเตือน:** ตรวจสอบให้แน่ใจว่าแทนวางราบแนบไปกับฐานเครื่องมือและถูกยึดเข้ากับฉากด้านล่างแน่นแล้วโดยใช้สกรูที่มีมาให้สี่รู หากไม่ยึดแทนให้หมดสมอาจทำให้แทนเคลื่อนและเกิดการติดกลับซึ่งส่งผลให้ได้รับบาดเจ็บสาหัสได้

**คำเตือน:** ตรวจสอบให้แน่ใจว่าเครื่องมือติดกับพื้นผิวที่ราบเรียบและมั่นคงแน่นหนาด้านแล้ว หากติดตั้งและยึดเครื่องมือให้เหมาะสมอาจทำให้เครื่องมือไม่มั่นคงซึ่งส่งผลให้สูญเสียการควบคุมและ/หรือเครื่องมือร่วงหล่นซึ่งอาจทำให้ได้รับบาดเจ็บสาหัสได้

5. ติดตั้งฉากกันด้านบนบนเข้ากับเครื่องมือ

**คำเตือน:** อย่าใช้เครื่องมือโดยไม่ติดตั้งฉากกันด้านบนเด็ดขาด ฉากกันด้านบนจะให้การรองรับที่เพียงพอสำหรับการตัดชิ้นงาน หากชิ้นงานไม่ได้รับการรองรับอย่างเหมาะสม ชิ้นงานอาจเคลื่อนที่ซึ่งส่งผลให้สูญเสียการควบคุม การติดกลับและการบาดเจ็บสาหัสได้

6. วางชิ้นงานที่จะตัดลงบนแทนที่ถูกยึดไว้กับเครื่องมือ

7. ยึดชิ้นงานให้แน่นโดยให้แนบกับฉากกันด้านบนและตัวหนีบก้อนตัด

- **หมายเลข 66:** 1. ฉากกันด้านบน 2. ตัวหนีบแนวตั้ง 3. ชิ้นงาน 4. แทน

8. ทำการตัดผ่านชิ้นงานข้างๆ ตามการใช้งานที่อธิบายไว้ในส่วนการตัดสไลด์ (ต้น)

**คำเตือน:** ตรวจสอบให้แน่ใจว่าชิ้นงานถูกยึดด้วยตัวหนีบแล้ว จากนั้นทำการตัดข้างๆ ไม่เช่นนั้นอาจทำให้ชิ้นงานเคลื่อนที่ซึ่งอาจส่งผลให้เกิดการติดกลับและทำให้ได้รับบาดเจ็บสาหัสได้

**คำเตือน:** ตรวจสอบแทนที่มีสภาพต้องลงหลังผ่านการตัดสามมุมปากมาแล้วหลายครั้ง หากแทนมีสภาพต้องลงอันเนื่องมาจากร่องรอยของร่องตัดหลายร่องที่วัสดุ ควรเปลี่ยนแทนใหม่ หากไม่เปลี่ยนแทนที่มีสภาพต้องลง อาจทำให้ชิ้นงานเคลื่อนที่ระหว่างการตัดซึ่งอาจส่งผลให้เกิดการติดกลับและทำให้ได้รับบาดเจ็บสาหัสได้

## การตัดร่อง

**คำเตือน:** อย่าพยายามทำการตัดประเภทนี้โดยใช้ใบเลื่อยประเภทที่กว้างขึ้นหรือใบเลื่อยดาโต การพยายามตัดร่องด้วยใบเลื่อยที่กว้างขึ้นหรือใบเลื่อยดาโตอาจทำให้เกิดผลการตัดที่ไม่คาดคิดและการติดกลับซึ่งอาจทำให้เกิดการบาดเจ็บร้ายแรงได้

**คำเตือน:** โปรดตรวจสอบให้แน่ใจว่าเก็บแขนสต็อปเปอร์กลับตำแหน่งเดิมเมื่อทำอย่างอื่นนอกเหนือจากการตัดร่อง การพยายามตัดด้วยแขนสต็อปเปอร์ในตำแหน่งที่ไม่ถูกต้องอาจทำให้เกิดผลการตัดที่ไม่คาดคิดและการติดกลับซึ่งอาจทำให้เกิดการบาดเจ็บร้ายแรงได้

สำหรับการตัดประเภทดาโต ให้ทำดังนี้

- ปรับตำแหน่งขีดจำกัดด้านล่างของใบเลื่อยวงกลมโดยใช้สกรูปรับและแขนสต็อปเปอร์เพื่อจำกัดความลึกการตัดของใบเลื่อยวงกลม โปรดดูที่ส่วนแขนสต็อปเปอร์
- หลังจากปรับตำแหน่งขีดจำกัดด้านล่างของใบเลื่อยวงกลมแล้ว ให้ตัดขนานกับร่องทางด้านกว้างของชิ้นงานโดยใช้การตัดสไลด์ (ต้น)
- **หมายเลข 67:** 1. ตัดร่องด้วยใบเลื่อย
3. นำวัสดุของชิ้นงานที่อยู่ระหว่างร่องออกด้วยสิ่ว

## ไม้ฝา

**คำเตือน:** ใช้สกรูเพื่อยึดไม้ฝากับฉากนำ สกรูควรติดตั้งเพื่อให้หัวสกรูอยู่ต่ำกว่าพื้นผิวของไม้ฝา เพื่อให้ไม้ขัดขวางการวางตำแหน่งวัสดุที่จะตัด การจัดแนววัสดุที่จะตัดที่ไม่ถูกต้องสามารถทำให้เกิดการเคลื่อนไหวที่ไม่คาดคิดระหว่างทำการตัด ซึ่งอาจทำให้สูญเสียการควบคุมและเกิดการบาดเจ็บร้ายแรงได้

**⚠ ข้อควรระวัง:** ใช้ไม้ตรงที่มีความหนาเท่ากับไม้ฝา

**⚠ ข้อควรระวัง:** เมื่อต้องการตัดผ่านชิ้นงานที่มีความสูง 107 mm ถึง 120 mm ควรใช้ไม้ฝานขนาดนำ ไม้ฝาจะกันชิ้นงานให้ห่างจากฉากนำเพื่อให้ใบเลื่อยสามารถทำการตัดที่ลึกขึ้นได้

**ข้อสังเกต:** เมื่อตัดไม้ฝาแล้ว อย่าหมุนฐานหมุนที่ตามจับอยู่ต่ำ ใบเลื่อยและ/หรือไม้ฝาจจะเสียหายได้

ใช้ไม้ฝาช่วยในการทำการตัดชิ้นงานเพื่อไม่ให้ไม้แตกเป็นเศษเล็กเศษน้อย ยึดไม้ฝาเข้ากับฉากนำโดยใช้รูในฉากนำและสกรูขนาด 6 mm  
ดูรูปเพื่อดูขนาดไม้ฝ่าที่แนะนำ

- หมายเลข 68: 1. รู 2. มากกว่า 15 mm 3. มากกว่า 270 mm 4. 90 mm 5. 145 mm  
6. 19 mm 7. 115 - 120 mm

**ตัวอย่าง** เมื่อตัดชิ้นงานที่มีความสูง 115 mm และ 120 mm ให้ใช้ไม้ฝ่าที่มีความหนาดังต่อไปนี้

องศามุมฉาก	ความหนาของไม้ฝ่า	
	115 mm	120 mm
0°	20 mm	38 mm
ซ้ายและขวา 45°	15 mm	25 mm
ซ้ายและขวา 60°	15 mm	25 mm

## การยกเครื่องมือ

ก่อนเคลื่อนย้ายเครื่องมือ ตรวจสอบให้แน่ใจว่าได้ถอดด้ามแบตเตอรี่และชิ้นส่วนที่เคลื่อนที่ได้ทั้งหมดของแท่นเลื่อยตัดเองคาถูกยึดแน่นแล้ว ตรวจสอบสิ่งต่อไปนี้เสมอ:

- นำด้ามแบตเตอรี่ออกแล้ว
- โครยกอยู่ที่ตำแหน่งองศามุมเอียง 0° และยึดไว้แล้ว
- โครยกอยู่ที่ตำแหน่งต่ำและล็อกไว้แล้ว
- โครยกถูกเลื่อนไปจนสุดฉากนำและยึดไว้แล้ว
- ฐานหมุนอยู่ที่ตำแหน่งองศามุมฉากด้านขวาและยึดไว้แล้ว
- ฐานรองถูกเก็บและยึดไว้เรียบร้อยแล้ว

ยกเครื่องมือโดยยกฐานเครื่องมือทั้งสองด้าน

- หมายเลข 69

**⚠ คำเตือน:** เชื่อมสตอปเปอร์สำหรับยกโครยกใช้สำหรับการยกและการเก็บรักษาเท่านั้น ห้ามใช้ในการตัดใดๆ การใช้เชื่อมสตอปเปอร์สำหรับการตัดอาจทำให้ใบเลื่อยวงกลมเคลื่อนที่ในแบบไม่คาดคิด ทำให้เกิดการตีกลับและการบาดเจ็บสาหัสได้

**⚠ ข้อควรระวัง:** ยึดส่วนที่เคลื่อนที่ได้ทั้งหมดก่อนยกเครื่องมือ ถ้าส่วนต่างๆ ของเครื่องมือเคลื่อนที่หรือสไลด์เมื่อถูกยก อาจทำให้สูญเสียการควบคุมหรือสมดุล ทำให้ได้รับบาดเจ็บได้

**⚠ ข้อควรระวัง:** ตรวจสอบให้แน่ใจว่าล็อกโครยกที่ยกขึ้นอย่างเหมาะสมที่ตำแหน่งด้านล่างสุดโดยเชื่อมสตอปเปอร์แล้ว หากเชื่อมสตอปเปอร์ไม่ถูกล็อกอย่างเหมาะสม โครยกอาจตีขึ้นทันทีและทำให้ได้รับบาดเจ็บได้

## ฟังก์ชันสั่งงานด้วยสัญญาณไร้สาย

**คุณสามารถทำอะไรกับฟังก์ชันสั่งงานด้วยสัญญาณไร้สายนี้ได้บ้าง**

ฟังก์ชันสั่งงานด้วยสัญญาณไร้สายจะทำให้คุณสามารถใช้งานได้อย่างสะดวกสบายและสะอาดเรียบร้อย เมื่อเชื่อมต่อกับที่ดูดฝุ่นที่รองรับเข้ากับเครื่องมือ คุณจะสามารถทำให้ที่ดูดฝุ่นทำงานได้อย่างอัตโนมัติตามการควบคุมด้วยสวิทช์ของเครื่องมือ

- หมายเลข 70

การใช้ฟังก์ชันสั่งงานด้วยสัญญาณไร้สาย ให้เตรียมอุปกรณ์ดังต่อไปนี้:

- อุปกรณ์รับส่งสัญญาณไร้สาย (อุปกรณ์เสริม)
- ที่ดูดฝุ่นที่รองรับฟังก์ชันสั่งงานด้วยสัญญาณไร้สาย

ต่อไปนี้เป็นคำอธิบายการตั้งค่าฟังก์ชันสั่งงานด้วยสัญญาณไร้สายแบบย่อ ดูการดำเนินการอย่างละเอียดได้ในแต่ละส่วน

1. การติดตั้งอุปกรณ์รับส่งสัญญาณไร้สาย
2. การบันทึกเครื่องมือสำหรับที่ดูดฝุ่น
3. การเริ่มฟังก์ชันสั่งงานด้วยสัญญาณไร้สาย

## การติดตั้งอุปกรณ์รับส่งสัญญาณไร้สาย

### อุปกรณ์เสริม

**⚠️ ข้อควรระวัง:** วางเครื่องมือบนพื้นผิวที่ราบเรียบและมั่นคงขณะทำการติดตั้งอุปกรณ์รับส่งสัญญาณไร้สาย

**ข้อสังเกต:** ทำความสะอาดฝุ่นและสิ่งสกปรกที่ติดอยู่บนเครื่องมือก่อนติดตั้งอุปกรณ์รับส่งสัญญาณไร้สาย ฝุ่นและสิ่งสกปรกอาจทำให้เครื่องมือทำงานผิดปกติ หากเข้าไปในช่องเสียบของอุปกรณ์รับส่งสัญญาณไร้สาย

**ข้อสังเกต:** เพื่อป้องกันการทำงานผิดปกติที่เกิดจากไฟฟ้าสถิต ให้สัมผัสกับวัสดุที่ปล่อยไฟฟ้าสถิต เช่น ส่วนที่เป็นโลหะของเครื่องมือก่อนหยิบอุปกรณ์รับส่งสัญญาณไร้สาย

**ข้อสังเกต:** เมื่อทำการติดตั้งอุปกรณ์รับส่งสัญญาณไร้สาย ตรวจสอบให้แน่ใจว่าอุปกรณ์รับส่งสัญญาณไร้สายถูกใส่เข้าไปในทิศทางที่ถูกต้องและปิดฝาปิดสนิทแล้ว

1. เปิดฝาปิดบนเครื่องมือดังที่แสดงในภาพ

▶ **หมายเลข 71:** 1. ฝาปิด

2. ใส่อุปกรณ์รับส่งสัญญาณไร้สายเข้าไปในช่องเสียบ จากนั้นปิดฝาปิด

เมื่อใส่อุปกรณ์รับส่งสัญญาณไร้สายแล้ว ให้จัดตำแหน่งให้ส่วนที่ยื่นออกมาตรงกับส่วนที่ถอยเข้าไปบนช่องเสียบ

▶ **หมายเลข 72:** 1. อุปกรณ์รับส่งสัญญาณไร้สาย  
2. ส่วนที่ยื่นออกมา 3. ฝาปิด 4. ส่วนที่ถอยเข้าไป

เมื่อต้องการถอดอุปกรณ์รับส่งสัญญาณไร้สายออก ให้เปิดฝาปิดออกข้าง ขอบเกี่ยวที่ด้านหลังของฝาปิดจะยกอุปกรณ์รับส่งสัญญาณไร้สายในขณะที่คุณดึงฝาปิดขึ้น

▶ **หมายเลข 73:** 1. อุปกรณ์รับส่งสัญญาณไร้สาย 2. ขอบเกี่ยว 3. ฝาปิด

หลังจากถอดอุปกรณ์รับส่งสัญญาณไร้สายออกแล้ว ให้เก็บไว้ในกล่องที่ให้มาหรือในภาชนะที่ปลอดภัยไฟฟ้สถิต

**ข้อสังเกต:** ใช้ขอบเกี่ยวที่ด้านหลังของฝาปิดเมื่อต้องการถอดอุปกรณ์รับส่งสัญญาณไร้สายเสมอ หากขอบเกี่ยวไม่เกี่ยวกับอุปกรณ์รับส่งสัญญาณไร้สาย ให้ปิดฝาปิดให้สนิทแล้วเปิดอีกครั้งซ้ำๆ

## การบันทึกเครื่องมือสำหรับที่ดูดฝุ่น

**หมายเหตุ:** ที่ดูดฝุ่นของ Makita ที่รองรับฟังก์ชันสั่งงานด้วยสัญญาณไร้สายจำเป็นต้องมีการบันทึกเครื่องมือ

**หมายเหตุ:** ติดตั้งอุปกรณ์รับส่งสัญญาณไร้สายเข้ากับเครื่องมือให้เรียบร้อยก่อนเริ่มบันทึกเครื่องมือ

**หมายเหตุ:** หลีกเลี่ยงการหมุนสวิตช์ตั้งออกไปนาระหว่างการบันทึกเครื่องมือ:

- สวิตช์สั่งงานบนเครื่องมือ
- สวิตช์ดูดฝุ่นบนเครื่องมือ
- สวิตช์ไฟบนที่ดูดฝุ่น

**หมายเหตุ:** โปรดดูคู่มือการใช้งานที่ดูดฝุ่นร่วมด้วย

หากคุณต้องการสั่งงานที่ดูดฝุ่นตามการควบคุมด้วยสวิตช์ของเครื่องมือ ให้บันทึกเครื่องมือให้เสร็จสิ้นก่อน

1. ติดตั้งแบตเตอรี่เข้ากับที่ดูดฝุ่นและเครื่องมือ

2. ตั้งสวิตช์เตรียมพร้อมบนที่ดูดฝุ่นเป็น "AUTO"

▶ **หมายเลข 74:** 1. สวิตช์เตรียมพร้อม

3. กดปุ่มสั่งงานด้วยสัญญาณไร้สายบนที่ดูดฝุ่นค้างไว้ประมาณ 3 วินาที จนกระทั่งดวงไฟแสดงการสั่งงานด้วยสัญญาณไร้สายกะพริบเป็นสีเขียว จากนั้นกดปุ่มสั่งงานด้วยสัญญาณไร้สายบนเครื่องมือในลักษณะเดียวกัน

▶ **หมายเลข 75:** 1. ปุ่มสั่งงานด้วยสัญญาณไร้สาย  
2. ดวงไฟแสดงการสั่งงานด้วยสัญญาณไร้สาย

หากที่ดูดฝุ่นและเครื่องมือเชื่อมต่อกันเรียบร้อยแล้ว ดวงไฟแสดงการสั่งงานด้วยสัญญาณไร้สายจะสว่างเป็นสีเขียวเป็นเวลา 2 วินาที และจะเริ่มกะพริบเป็นสีฟ้า

**หมายเหตุ:** ดวงไฟแสดงการสั่งงานด้วยสัญญาณไร้สายจะกะพริบเป็นสีเขียวหลังจากผ่านไป 20 วินาที กดปุ่มสั่งงานด้วยสัญญาณไร้สายบนเครื่องมือในขณะที่ดวงไฟแสดงการสั่งงานด้วยสัญญาณไร้สายบนที่ดูดฝุ่นกำลังกะพริบอยู่ หากดวงไฟแสดงการสั่งงานด้วยสัญญาณไร้สายไม่กะพริบเป็นสีเขียว ให้คืนปุ่มสั่งงานด้วยสัญญาณไร้สายสักครู่ และกดลงไปอีกครั้ง

**หมายเหตุ:** เมื่อต้องการดำเนินการบันทึกเครื่องมือสองเครื่องขึ้นไปสำหรับที่ดูดฝุ่นเครื่องเดียว ให้บันทึกเครื่องมือทีละเครื่อง

## การเริ่มฟังก์ชันสั่งงานด้วยสัญญาณไร้สาย

**หมายเหตุ:** บันทึกเครื่องมือสำหรับที่ดูดฝุ่นให้เสียบปลั๊กก่อนการสั่งงานด้วยสัญญาณไร้สาย

**หมายเหตุ:** โปรดดูคู่มือการใช้งานที่ดูดฝุ่นร่วมด้วย

หลังจากบันทึกเครื่องมือเข้ากับที่ดูดฝุ่นแล้ว ที่ดูดฝุ่นจะทำงานตามการควบคุมด้วยสวิตช์ของเครื่องมือโดยอัตโนมัติ ดึงสวิตช์สั่งงานบนเครื่องมือเพื่อใช้งานที่ดูดฝุ่นระหว่างการทำงาน ที่ดูดฝุ่นจะเริ่มทำงานโดยการกดปุ่มดูดฝุ่นบนเครื่องมือระหว่างที่ไม่ได้ทำการตัดใดๆ เช่นกัน

### ► หมายเลข 76

1. ติดตั้งอุปกรณ์รับส่งสัญญาณไร้สายเข้ากับเครื่องมือ
2. เชื่อมต่อท่อของที่ดูดฝุ่นเข้ากับเครื่องมือ

### ► หมายเลข 77

3. ดึงสวิตช์เตรียมพร้อมบนที่ดูดฝุ่นเป็น "AUTO"

### ► หมายเลข 78: 1. สวิตช์เตรียมพร้อม

4. ดันปุ่มสั่งงานด้วยสัญญาณไร้สายบนเครื่องมือไว้สักครู่ ดวงไฟแสดงการสั่งงานด้วยสัญญาณไร้สายจะกะพริบเป็นสีฟ้า

### ► หมายเลข 79: 1. ปุ่มสั่งงานด้วยสัญญาณไร้สาย 2. ดวงไฟแสดงการสั่งงานด้วยสัญญาณไร้สาย

5. ดึงสวิตช์สั่งงานของเครื่องมือ ตรวจสอบว่าที่ดูดฝุ่นทำงานในขณะที่สวิตช์สั่งงานถูกดึงไว้
6. กดปุ่มดูดฝุ่นเพื่อใช้งานที่ดูดฝุ่น ตรวจสอบดวงไฟแสดงการสั่งงานด้วยสัญญาณไร้สายว่ากะพริบเป็นสีฟ้าและที่ดูดฝุ่นทำงานต่อไปจนกว่าคุณจะกดปุ่มนั้นอีกครั้ง
7. การหยุดการดูดฝุ่น ให้ปล่อยสวิตช์สั่งงานหรือกดปุ่มดูดฝุ่นอีกครั้ง ที่ดูดฝุ่นจะหยุดทำงานในไม่กี่วินาทีหลังจากสั่งงานด้วยสวิตช์ แล้วดวงไฟจะกะพริบเป็นสีฟ้า

**หมายเหตุ:** สถานะของสวิตช์ (การเปิด/ปิดที่ดูดฝุ่น) สามารถเรียนรู้ได้จากดวงไฟแสดงการสั่งงานด้วยสัญญาณไร้สาย สำหรับรายละเอียด กรุณาดูคำอธิบายสถานะดวงไฟแสดงการสั่งงานด้วยสัญญาณไร้สาย

8. การหยุดการสั่งงานด้วยสัญญาณไร้สายของที่ดูดฝุ่นให้ดันปุ่มสั่งงานด้วยสัญญาณไร้สายบนเครื่องมือ

**หมายเหตุ:** ดวงไฟแสดงการสั่งงานด้วยสัญญาณไร้สายบนเครื่องมือจะหยุดกะพริบเป็นสีฟ้าเมื่อไม่มีการใช้งานเป็นเวลา 2 ชั่วโมง ในกรณีนี้ให้ดึงสวิตช์เตรียมพร้อมบนที่ดูดฝุ่นไปที่ "AUTO" จากนั้นดันปุ่มสั่งงานด้วยสัญญาณไร้สายบนเครื่องมืออีกครั้ง

**หมายเหตุ:** ที่ดูดฝุ่นจะเริ่มหยุดทำงานล่าช้าเล็กน้อย ในขณะที่ที่ดูดฝุ่นตรวจจบการควบคุมด้วยสวิตช์ของเครื่องมือจะมีความล่าช้าเกิดขึ้นเล็กน้อย

**หมายเหตุ:** ระยะเวลาการส่งสัญญาณของอุปกรณ์รับส่งสัญญาณไร้สายอาจแตกต่างกันไปขึ้นอยู่กับสถานที่และสภาวะแวดล้อม

**หมายเหตุ:** เมื่อมีการบันทึกเครื่องมือสองเครื่องขึ้นไปกับที่ดูดฝุ่นเครื่องเดียว ที่ดูดฝุ่นอาจเริ่มทำงานแม้ว่าคุณจะยังไม่ได้กดสวิตช์สั่งงานหรือเปิดปุ่มดูดฝุ่น เนื่องจากอาจมีผู้ใช้คนอื่นกำลังใช้ฟังก์ชันสั่งงานด้วยสัญญาณไร้สายอยู่

## คำอธิบายสถานะดวงไฟแสดงการสั่งงานด้วยสัญญาณไร้สาย

- **หมายเลข 80:** 1. ดวงไฟแสดงการสั่งงานด้วยสัญญาณไร้สาย

ดวงไฟแสดงการสั่งงานด้วยสัญญาณไร้สายจะแสดงสถานะของฟังก์ชันสั่งงานด้วยสัญญาณไร้สาย ความหมายของสถานะดวงไฟได้ที่ตารางด้านล่าง

สถานะ	ดวงไฟแสดงการสั่งงานด้วยสัญญาณไร้สาย				คำอธิบาย
	สี	<input type="checkbox"/> สว่าง	<input type="checkbox"/> กะพริบ	ระยะเวลา	
เตรียมพร้อม	สีฟ้า	<input checked="" type="checkbox"/>		2 ชั่วโมง	สามารถใช้การสั่งงานด้วยสัญญาณไร้สายของที่ดูดฝุ่นได้ ดวงไฟจะดับลงอัตโนมัติเมื่อไม่มีการใช้งานเป็นเวลา 2 ชั่วโมง
		<input type="checkbox"/>		เมื่อเครื่องมือกำลังทำงาน	สามารถใช้การสั่งงานด้วยสัญญาณไร้สายของที่ดูดฝุ่นได้และเครื่องมือกำลังทำงานอยู่
การบันทึกเครื่องมือ	สีเขียว	<input checked="" type="checkbox"/>		20 วินาที	พร้อมสำหรับการบันทึกเครื่องมือ รอกการบันทึกโดยที่ดูดฝุ่น
		<input type="checkbox"/>		2 วินาที	การบันทึกเครื่องมือเสร็จสิ้นแล้ว ดวงไฟแสดงการสั่งงานด้วยสัญญาณไร้สายจะเริ่มกะพริบเป็นสีฟ้า
การยกเลิกการบันทึกเครื่องมือ	สีแดง	<input checked="" type="checkbox"/>		20 วินาที	พร้อมสำหรับการยกเลิกการบันทึกเครื่องมือ รอกการยกเลิกโดยที่ดูดฝุ่น
		<input type="checkbox"/>		2 วินาที	การยกเลิกการบันทึกเครื่องมือเสร็จสิ้นแล้ว ดวงไฟแสดงการสั่งงานด้วยสัญญาณไร้สายจะเริ่มกะพริบเป็นสีฟ้า
อื่นๆ	สีแดง	<input type="checkbox"/>		3 วินาที	ไฟฟ้าจะถูกจ่ายไปยังอุปกรณ์รับส่งสัญญาณไร้สายและฟังก์ชันสั่งงานด้วยสัญญาณไร้สายจะเริ่มทำงาน
		ดับ	-	-	การสั่งงานด้วยสัญญาณไร้สายของที่ดูดฝุ่นจะหยุดทำงาน

### การยกเลิกการบันทึกเครื่องมือสำหรับที่ดูดฝุ่น

เมื่อต้องการยกเลิกการบันทึกเครื่องมือสำหรับที่ดูดฝุ่น ให้ดำเนินการตามขั้นตอนดังต่อไปนี้

1. ติดตั้งแบตเตอรี่เข้ากับที่ดูดฝุ่นและเครื่องมือ
  2. ตั้งสวิตช์เตรียมพร้อมบนที่ดูดฝุ่นเป็น "AUTO"
- **หมายเลข 81:** 1. สวิตช์เตรียมพร้อม
3. กดปุ่มสั่งงานด้วยสัญญาณไร้สายบนที่ดูดฝุ่นค้างไว้ประมาณ 6 วินาที ดวงไฟแสดงการสั่งงานด้วยสัญญาณไร้สายจะกะพริบเป็นสีเขียว จากนั้นจะเปลี่ยนเป็นสีแดง หลังจากนั้นให้กดปุ่มสั่งงานด้วยสัญญาณไร้สายบนเครื่องมือในลักษณะเดียวกัน

- **หมายเลข 82:** 1. ปุ่มสั่งงานด้วยสัญญาณไร้สาย  
2. ดวงไฟแสดงการสั่งงานด้วยสัญญาณไร้สาย

หากดำเนินการยกเลิกเสร็จสิ้นแล้ว ดวงไฟแสดงการสั่งงานด้วยสัญญาณไร้สายจะสว่างขึ้นเป็นสีแดงประมาณ 2 วินาที และจะเริ่มกะพริบเป็นสีฟ้า

**หมายเหตุ:** ดวงไฟแสดงการสั่งงานด้วยสัญญาณไร้สายจะหยุดกะพริบเป็นสีแดงหลังผ่านไป 20 วินาที กดปุ่มสั่งงานด้วยสัญญาณไร้สายบนเครื่องมือในขณะที่ดวงไฟแสดงการสั่งงานด้วยสัญญาณไร้สายบนที่ดูดฝุ่นกำลังกะพริบอยู่ หากดวงไฟแสดงการสั่งงานด้วยสัญญาณไร้สายไม่กะพริบเป็นสีแดง ให้ดันปุ่มสั่งงานด้วยสัญญาณไร้สายสักครู่ แล้วกดอีกครั้ง

## การแก้ไขปัญหาสำหรับฟังก์ชันสั่งงานด้วยสัญญาณไร้สาย

ก่อนนำไปซ่อม ให้ทำการตรวจสอบด้วยตัวเองก่อน หากพบปัญหาที่ไม่มีอธิบายในคู่มือการใช้งาน อย่าพยายามถอดแยกเครื่องมือ แต่ให้นำไปซ่อมที่ศูนย์บริการหรือโรงงานที่ผ่านการรับรองจาก Makita และใช้ชิ้นส่วนอะไหล่ของ Makita

สถานะความผิดปกติ	สาเหตุที่เป็นไปได้ (การทำงานผิดปกติ)	การแก้ไข
ดวงไฟแสดงการสั่งงานด้วยสัญญาณไร้สายไม่สว่าง/กะพริบ	อุปกรณ์รับส่งสัญญาณไร้สายไม่ถูกติดตั้งลงในเครื่องมือ	ติดตั้งอุปกรณ์รับส่งสัญญาณไร้สายให้ถูกต้อง
	อุปกรณ์รับส่งสัญญาณไร้สายไม่ถูกติดตั้งลงในเครื่องมืออย่างถูกต้อง	
	ขั้วต่อของอุปกรณ์รับส่งสัญญาณไร้สายและ/หรือช่องเสียบสกรปรก	ค่อยๆ เช็ดฝุ่นและสิ่งสกปรกบนขั้วต่อของอุปกรณ์รับส่งสัญญาณไร้สายและทำความสะอาดช่องเสียบ
	ปุ่มสั่งงานด้วยสัญญาณไร้สายบนเครื่องมือยังไม่ถูกดันเข้าไป	ดันปุ่มสั่งงานด้วยสัญญาณไร้สายบนเครื่องมือไว้สักครู่
	สวิตช์เตรียมพร้อมบนที่ดูดฝุ่นไม่ได้ถูกตั้งเป็น "AUTO"	ตั้งสวิตช์เตรียมพร้อมบนที่ดูดฝุ่นเป็น "AUTO"
	ไม่มีการจ่ายไฟฟ้า	จ่ายไฟฟ้าให้เครื่องมือและที่ดูดฝุ่น
ไม่สามารถเสร็จสิ้นการบันทึกเครื่องมือ / การยกเลิกการบันทึกเครื่องมือได้สำเร็จ	อุปกรณ์รับส่งสัญญาณไร้สายไม่ถูกติดตั้งลงในเครื่องมือ	ติดตั้งอุปกรณ์รับส่งสัญญาณไร้สายให้ถูกต้อง
	อุปกรณ์รับส่งสัญญาณไร้สายไม่ถูกติดตั้งลงในเครื่องมืออย่างถูกต้อง	
	ขั้วต่อของอุปกรณ์รับส่งสัญญาณไร้สายและ/หรือช่องเสียบสกรปรก	ค่อยๆ เช็ดฝุ่นและสิ่งสกปรกบนขั้วต่อของอุปกรณ์รับส่งสัญญาณไร้สายและทำความสะอาดช่องเสียบ
	สวิตช์เตรียมพร้อมบนที่ดูดฝุ่นไม่ได้ถูกตั้งเป็น "AUTO"	ตั้งสวิตช์เตรียมพร้อมบนที่ดูดฝุ่นเป็น "AUTO"
	ไม่มีการจ่ายไฟฟ้า	จ่ายไฟฟ้าให้เครื่องมือและที่ดูดฝุ่น
	การทำงานไม่ถูกต้อง	ดันปุ่มสั่งงานด้วยสัญญาณไร้สายไว้สักครู่ จากนั้นดำเนินการขั้นตอนการบันทึก/การยกเลิกเครื่องมืออีกครั้ง
	เครื่องมือและที่ดูดฝุ่นอยู่ห่างจากกัน (เกินช่วงระยะการส่งสัญญาณ)	นำเครื่องมือและที่ดูดฝุ่นเข้ามาไว้ใกล้กันมากขึ้น ระยะการส่งสัญญาณสูงสุดคือประมาณ 10 m อย่างไรก็ตามอาจแตกต่างกันไปขึ้นอยู่กับสถานะแวดล้อม
	ก่อนเสร็จสิ้นการบันทึก/การยกเลิกเครื่องมือ - สวิตช์สั่งงานบนเครื่องมือถูกตั้งอยู่ หรือ - ปุ่มดูดฝุ่นบนเครื่องมือเปิดอยู่ หรือ - ปุ่มไฟหลักบนที่ดูดฝุ่นเปิดอยู่	ดันปุ่มสั่งงานด้วยสัญญาณไร้สายไว้สักครู่ จากนั้นดำเนินการขั้นตอนการบันทึก/การยกเลิกเครื่องมืออีกครั้ง
	ขั้นตอนการบันทึกเครื่องมือสำหรับเครื่องมือหรือที่ดูดฝุ่นยังไม่เสร็จสิ้น	ดำเนินการตามขั้นตอนการบันทึกเครื่องมือสำหรับทั้งเครื่องมือและที่ดูดฝุ่นในเวลาเดียวกัน
	การรบกวนจากคลื่นวิทยุของเครื่องใช้อื่นๆ ซึ่งทำให้เกิดคลื่นวิทยุความถี่สูง	นำเครื่องมือและที่ดูดฝุ่นออกจากเครื่องใช้ต่างๆ เช่น อุปกรณ์ Wi-Fi และเตาอบไมโครเวฟ



สภาวะความผิดปกติ	สาเหตุที่เป็นไปได้ (การทำงานผิดปกติ)	การแก้ไข
ที่ดูดฝุ่นไม่ทำงานตามการควบคุมด้วยสวิตช์ของเครื่องมือ	อุปกรณ์รับส่งสัญญาณไร้สายไม่ถูกติดตั้งลงในเครื่องมือ อุปกรณ์รับส่งสัญญาณไร้สายไม่ถูกติดตั้งลงในเครื่องมืออย่างถูกต้อง	ติดตั้งอุปกรณ์รับส่งสัญญาณไร้สายให้ถูกต้อง
	ขั้วต่อของอุปกรณ์รับส่งสัญญาณไร้สายและ/หรือช่องเสียบสปริง	ค่อยๆ เช็ดฝุ่นและสิ่งสกปรกบนขั้วต่อของอุปกรณ์รับส่งสัญญาณไร้สายและความสะอาดช่องเสียบ
	ปุ่มสั่งงานด้วยสัญญาณไร้สายบนเครื่องมือยังไม่ถูกดันเข้าไป	ดันปุ่มสั่งงานด้วยสัญญาณไร้สายไว้สักครู่ และตรวจสอบให้แน่ใจว่าดวงไฟแสดงการทำงานของสัญญาณไร้สายกะพริบเป็นสีฟ้า
	สวิตช์เตรียมพร้อมบนที่ดูดฝุ่นไม่ได้ถูกตั้งเป็น "AUTO"	ตั้งสวิตช์เตรียมพร้อมบนที่ดูดฝุ่นเป็น "AUTO"
	มีเครื่องมือที่บันทึกเข้ากับที่ดูดฝุ่นมากกว่า 10 เครื่อง	ดำเนินการบันทึกเครื่องมืออีกครั้ง หากมีเครื่องมือที่บันทึกเข้ากับที่ดูดฝุ่นมากกว่า 10 เครื่อง เครื่องมือที่บันทึกเครื่องแรกสุดจะถูกยกเลิกไปโดยอัตโนมัติ
	ที่ดูดฝุ่นบันทึกเครื่องมือไม่สำเร็จ	ทำการบันทึกเครื่องมือใหม่อีกครั้ง
	ที่ดูดฝุ่นลบการบันทึกเครื่องมือทั้งหมด	ดำเนินการบันทึกเครื่องมืออีกครั้ง
	ไม่มีการจ่ายไฟฟ้า	จ่ายไฟฟ้าให้เครื่องมือและที่ดูดฝุ่น
	เครื่องมือและที่ดูดฝุ่นอยู่ห่างจากกัน (เกินช่วงระยะการส่งสัญญาณ)	นำเครื่องมือและที่ดูดฝุ่นเข้ามาไว้ใกล้กันมากขึ้น ระยะการส่งสัญญาณสูงสุดคือประมาณ 10 m อย่างไรก็ตามอาจแตกต่างกันไปขึ้นอยู่กับสภาวะแวดล้อม
การรบกวนจากคลื่นวิทยุของเครื่องใช้อื่นๆ ซึ่งทำให้เกิดคลื่นวิทยุความถี่สูง	นำเครื่องมือและที่ดูดฝุ่นออกจากเครื่องใช้ต่างๆ เช่น อุปกรณ์ Wi-Fi และเตาอบไมโครเวฟ	
ที่ดูดฝุ่นทำงานขณะที่ไม่ได้ใช้งาน สวิตช์ใดๆ ของเครื่องมือ	ผู้ใช้คนอื่นกำลังใช้การสั่งงานด้วยสัญญาณไร้สายของที่ดูดฝุ่นจากเครื่องมือของพวกเขาอยู่	ปิดปุ่มสั่งงานด้วยสัญญาณไร้สายของเครื่องมืออื่น ๆ หรือยกเลิกการบันทึกเครื่องมือของเครื่องมืออื่น

## การบำรุงรักษา

**คำเตือน:** ตรวจสอบให้แน่ใจว่าปิดสวิตช์เครื่องมือและถอดตลับแบตเตอรี่ออกแล้วเสมอก่อนพยายามดำเนินการตรวจสอบหรือบำรุงรักษา หากไม่ถอดตลับแบตเตอรี่ออกและไม่ปิดสวิตช์เครื่องมืออาจส่งผลให้เครื่องมือทำงานโดยไม่ตั้งใจซึ่งอาจทำให้ได้รับบาดเจ็บสาหัสได้

**คำเตือน:** ตรวจสอบให้แน่ใจว่าใบเลื่อยวงกลมคมและสะอาดเสมอเพื่อประสิทธิภาพในการทำงานที่ดีที่สุดและปลอดภัยที่สุด การพยายามตัดด้วยใบเลื่อยที่ทื่อและ/หรือสปริงอาจทำให้เกิดการติดกลับและทำให้ได้รับบาดเจ็บสาหัสได้

**ข้อควรระวัง:** ตรวจสอบให้แน่ใจเสมอว่าได้ปิดที่ป้องกันใบเลื่อยในตำแหน่งเดิมแล้วก่อนทำการตรวจสอบหรือบำรุงรักษา อย่าหนีบหรือผูกที่ป้องกันใบเลื่อยไว้ในตำแหน่งเปิดค้างไว้ระหว่างทำความสะอาด ใบเลื่อยเปล่าอาจส่งผลให้ได้รับบาดเจ็บ

**ข้อสังเกต:** อย่าใช้น้ำมันเชื้อเพลิง เบนซิน ทินเนอร์ แอลกอฮอล์ หรือวัสดุประเภทเดียวกัน เนื่องจากอาจทำให้ลื่นหรือลื่นหลุด หรือแตกเร็วได้

เพื่อความปลอดภัยและนำเชื้อถือของผลิตภัณฑ์ ควรให้ศูนย์บริการหรือโรงงานที่ผ่านการรับรองจาก Makita เป็นผู้ดำเนินการซ่อมแซม บำรุงรักษาและทำการปรับตั้งอื่นๆ นอกจากนี้ให้ใช้ของไหลของแท้จาก Makita เสมอ

## การปรับมุมการตัด

เครื่องมือนี้ได้รับการปรับแต่งมาอย่างละเอียดจากโรงงาน แต่การใช้งานหรือการเคลื่อนย้ายอาจทำให้ตำแหน่งต่างๆ ผิดไปได้ หากส่วนต่างๆ ของเครื่องมือของคุณไม่อยู่ในตำแหน่งที่ถูกต้อง โปรดดำเนินการดังต่อไปนี้:

### องศาการบาก

ลดมือจับลงจนสุดและล็อกไว้ที่ตำแหน่งดังกล่าวโดยใช้เข็มสตอปเปอร์ ดันโครงยกเข้าหากานำ หมุนด้ามจับทวนเข็มนาฬิกาและเตรียมฐานหมุนให้พร้อมใช้ ฟังก์ชันหยุดตามตำแหน่งโดยใช้ก้านล็อก จากนั้นจึงคลายสกรูที่ยึดตัวชี้และสเกลองศาหมุมบากไว้

▶ **หมายเลข 83:** 1. ด้ามจับ 2. ก้านล็อก 3. สกรูบนตัวชี้ 4. สกรูบนสเกลองศาหมุมบาก 5. สเกลองศาหมุมบาก

ตั้งค่าฐานหมุนไปที่ตำแหน่ง 0° โดยใช้ฟังก์ชันหยุดตามตำแหน่ง ปรับด้านข้างของใบเลื่อยวงกลมให้ตั้งฉากกับด้านหน้าของกานำโดยใช้ไม้บรรทัดสามเหลี่ยมหรือไม้ฉาก ในขณะที่ปรับใบเลื่อยให้ตรง ให้ขันสกรูบนสเกลองศาหมุมบาก หลังจากนั้น ให้ปรับตำแหน่งตัวชี้ (ทั้งซ้ายและขวา) ไปที่ตำแหน่ง 0° ในสเกลองศาหมุมบากแล้วขันสกรูบนตัวชี้

▶ **หมายเลข 84:** 1. ไม้บรรทัดสามเหลี่ยม 2. ตัวชี้

### องศาหมุมเอียง

#### มุมเอียง 0°

ดันโครงยกเข้าหากานำและล็อกการเคลื่อนที่สไลด์ด้วยเข็มสตอปเปอร์ ลดโครงยกลงให้ต่ำที่สุดและล็อกไว้ที่ตำแหน่งดังกล่าวโดยใช้เข็มสตอปเปอร์ หมุนปุ่มหมุนทวนเข็มนาฬิกา แล้วหมุนสลักเกลียวปรับ 0° ทวนเข็มนาฬิกาสองหรือสามรอบเพื่อเอียงใบเลื่อยวงกลมไปทางขวา

▶ **หมายเลข 85:** 1. ปุ่มหมุน 2. สลักเกลียวปรับ 0° 3. สกรูบนตัวชี้

ปรับด้านข้างของใบเลื่อยวงกลมให้ตั้งฉากกับพื้นผิวด้านบนของฐานหมุนด้วยความระมัดระวังโดยใช้ไม้บรรทัดสามเหลี่ยม ไม้ฉาก ฯลฯ โดยการหมุนสลักเกลียวปรับ 0° ตามเข็มนาฬิกา จากนั้นขันปุ่มหมุนให้แน่นเพื่อยึดมุม 0° ที่คุณตั้งค่าไว้

▶ **หมายเลข 86:** 1. ไม้บรรทัดสามเหลี่ยม 2. ใบเลื่อย 3. พื้นผิวด้านบนของฐานหมุน

ตรวจสอบอีกครั้งว่าด้านข้างของใบเลื่อยวงกลมตั้งฉากกับพื้นผิวของฐานหมุน คลายสกรูบนตัวชี้ ปรับตัวชี้ไปที่ตำแหน่ง 0° ในสเกลองศาหมุมเอียง จากนั้นขันสกรูให้แน่น

#### มุมเอียง 45°

**ข้อสังเกต:** ปรับองศาหมุมเอียงไปที่ 0° ก่อนแล้วจึงค่อยปรับองศาหมุมเอียงไปที่ 45° องศา

คลายปุ่มหมุนแล้วเอียงโครงยกไปทางด้านที่คูดต้องการ ตรวจสอบ ตรวจสอบว่าตัวชี้ไปที่ตำแหน่ง 45° ของสเกลองศาหมุมเอียง

▶ **หมายเลข 87:** 1. ปุ่มหมุน

ถ้าตัวชี้ไม่ชี้ไปที่ตำแหน่ง 45° ให้ปรับให้อยู่ที่ตำแหน่ง 45° โดยการหมุนสลักเกลียวปรับในสเกลองศาหมุมเอียงไปด้านตรงข้ามของฐาน

▶ **หมายเลข 88:** 1. สลักเกลียวปรับซ้าย 45° 2. สลักเกลียวปรับขวา 45°

## การปรับการรอง

ปรับการรองที่อยู่บนฐานรองหากไม่อยู่ในแนวเดียวกันกับกานำ

1. คลายสกรูที่ยึดการรองโดยใช้ประแจหกเหลี่ยม
2. วางแท่งโลหะตรง เช่น แท่งเหล็กกล้ารูปสี่เหลี่ยม ให้แนบกับกานำ
3. ในขณะที่แท่งโลหะแนบกับกานำ ให้วางการรองโดยให้ด้านหน้าของการรองแนบกับแท่งโลหะ หลังจากนั้นให้ขันสลักเกลียวให้แน่น

▶ **หมายเลข 89:** 1. สลักเกลียว 2. การรอง 3. กานำ 4. แท่งโลหะ

## การทำความสะอาดเลนส์ของดวงไฟ

**⚠ ข้อควรระวัง:** ถอดใบเลื่อยวงกลมออกก่อนทำความสะอาดเลนส์ของดวงไฟเสมอ

**ข้อสังเกต:** อย่าถอดสกรูที่ยึดเลนส์ออก ถ้าเลนส์ยังไม่หลุดออก ให้คลายสกรูเพิ่ม

**ข้อสังเกต:** ใช้ผ้าแห้งเพื่อเช็ดสิ่งสกปรกออกจากเลนส์ของดวงไฟ ระวังอย่าขีดข่วนเลนส์ของดวงไฟ ไม่เช่นนั้นอาจทำให้ส่องสว่างได้น้อยลง

**ข้อสังเกต:** อย่าใช้สารทำละลายหรือสารทำความสะอาดที่มีส่วนประสมของปิโตรเลียมกับเลนส์

ถ้าเลนส์ของดวงไฟสกปรกจะทำให้เห็นแสง LED ไม่ชัด ทำความสะอาดเลนส์เป็นประจำ

ถอดดัลบีแบตเตอรี่ คลายสกรูและถอดเลนส์ออก ใช้ผ้าที่อ่อนนุ่มชุบน้ำหมาดๆ เช็ดทำความสะอาดเลนส์เบาๆ

▶ **หมายเลข 90:** 1. สกรู 2. เลนส์

## หลังจากการใช้งาน

หลังจากการใช้งาน ให้ใช้ผ้าหรือสิ่งอื่นๆ บัดเศษวัสดุและฝุ่นที่เครื่องมือ รักษาความสะอาดของที่ป้องกันใบเลื่อยโดยใช้วิธีการที่ระบุไว้ในส่วนที่มีชื่อว่า “ที่ป้องกันใบเลื่อย” ใช้น้ำมันเครื่องหล่อลื่นส่วนที่เคลื่อนที่ได้เพื่อถนอมสนิม

## อุปกรณ์เสริม

**คำเตือน:** ขอแนะนำให้ใช้เฉพาะอุปกรณ์เสริมของ Makita หรืออุปกรณ์ต่อพ่วงเหล่านี้กับเครื่องมือของ Makita ที่ระบุในคู่มือ การใช้อุปกรณ์เสริมหรืออุปกรณ์ต่อพ่วงอื่นอาจทำให้ได้รับบาดเจ็บสาหัสได้

**คำเตือน:** ใช้อุปกรณ์เสริมของ Makita หรืออุปกรณ์ต่อพ่วงตามวัตถุประสงค์ที่ระบุไว้เท่านั้น การใช้อุปกรณ์เสริมหรืออุปกรณ์ต่อพ่วงอย่างไม่เหมาะสมอาจทำให้ได้รับบาดเจ็บสาหัส

หากต้องการทราบรายละเอียดเพิ่มเติมเกี่ยวกับอุปกรณ์เสริมเหล่านี้ โปรดสอบถามศูนย์บริการ Makita ใกล้บ้านคุณ

- ใบเลื่อยปลายคาร์ไบน์
- ตัวหนีบแนวตั้ง
- ตัวหนีบแนวนอน
- ชุดสตัดเปอร์ริบวผนัง
- ดูกัดฝุ่น
- ไม้บรรทัดสามเหลี่ยม
- ประแจหกเหลี่ยม
- อุปกรณ์รับส่งสัญญาณไร้สาย
- ชุดขาตั้ง
- แบตเตอรี่และเครื่องชาร์จ Makita ของแท้

**หมายเหตุ:** อุปกรณ์บางรายการอาจจะรวมอยู่ในชุดเครื่องมือเป็นอุปกรณ์มาตรฐาน ซึ่งอาจแตกต่างกันไปในแต่ละประเทศ



**Makita Corporation**  
3-11-8, Sumiyoshi-cho,  
Anjo, Aichi 446-8502 Japan  
[www.makita.com](http://www.makita.com)

885882-376  
EN, ZHCN, ID, MS,  
VI, TH  
20210216