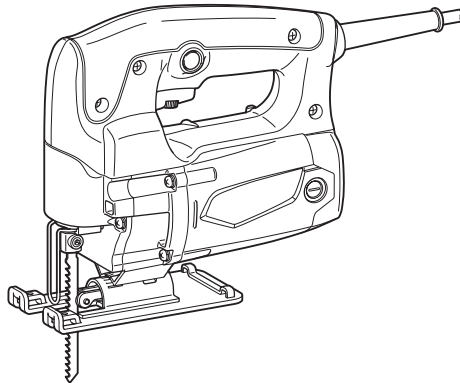




EN	Jig Saw	INSTRUCTION MANUAL	4
ZHCN	曲线锯	使用说明书	9
ID	Gergaji Jig	PETUNJUK PENGGUNAAN	14
MS	Gergaji Jig	MANUAL ARAHAN	19
VI	Máy Cưa Lọng Cầm Tay Hoạt Động Bằng Động Cơ Điện	TÀI LIỆU HƯỚNG DẪN	25
TH	เลื่อยฉลุ	คู่มือการใช้งาน	30

M4302



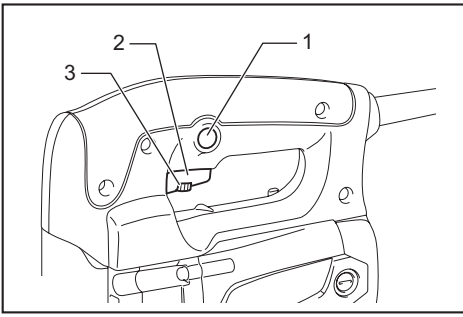


Fig.1

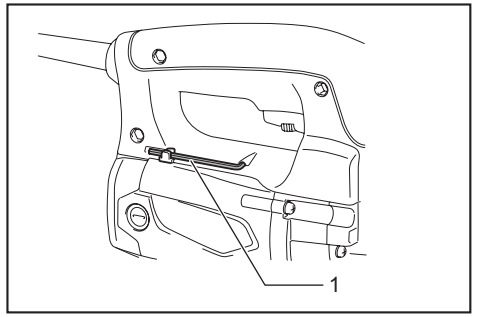


Fig.5

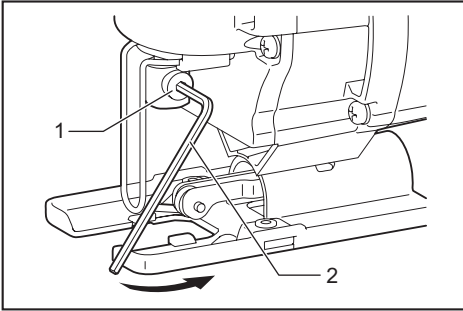


Fig.2

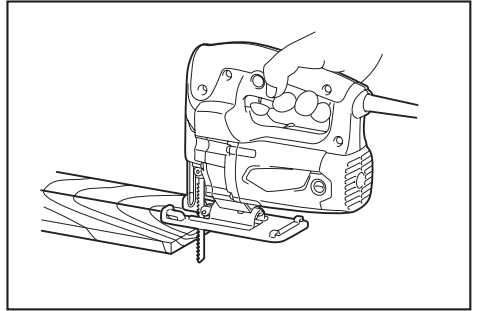


Fig.6

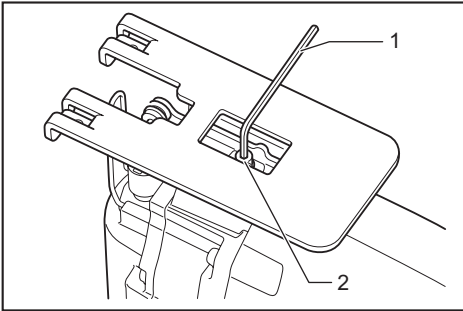


Fig.3

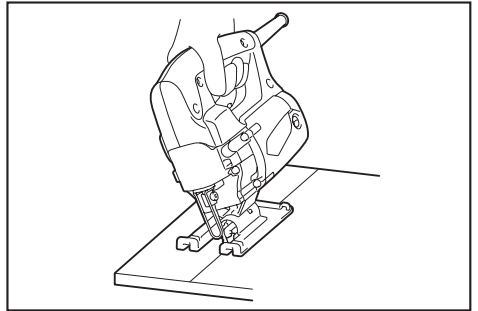


Fig.7

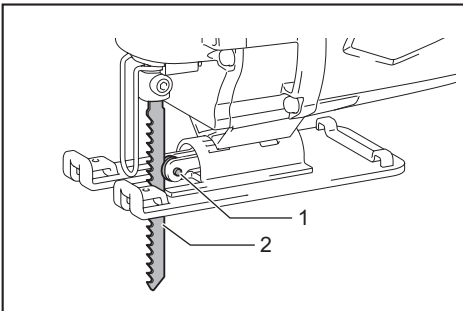


Fig.4

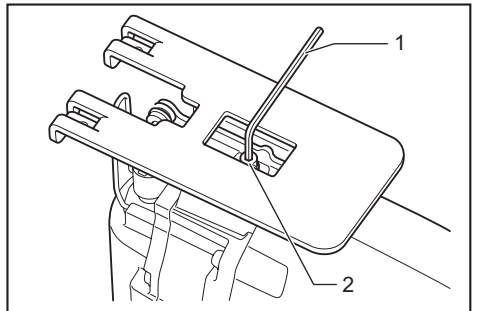


Fig.8

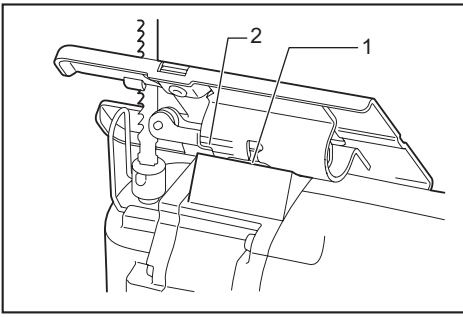


Fig.9

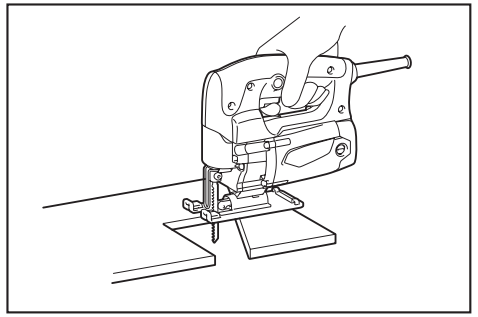


Fig.13

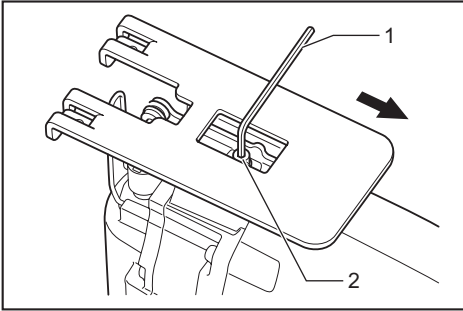


Fig.10

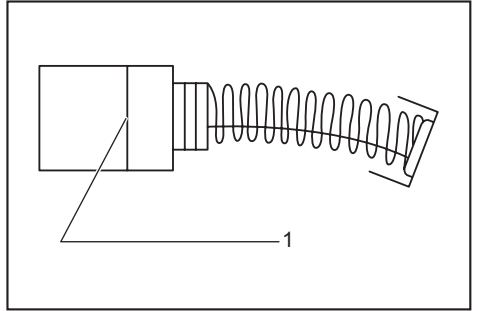


Fig.14

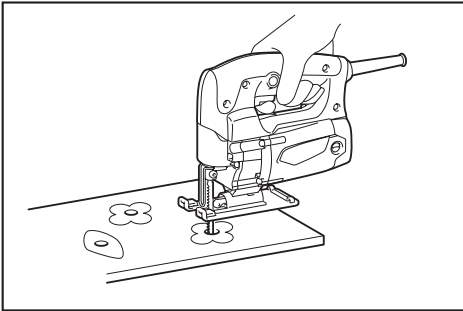


Fig.11

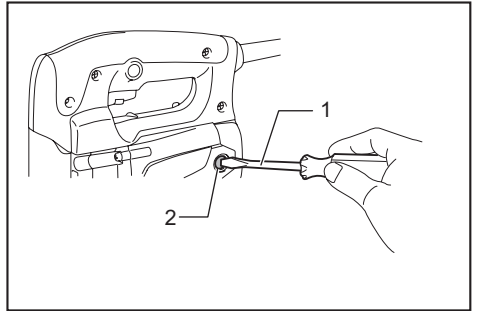


Fig.15

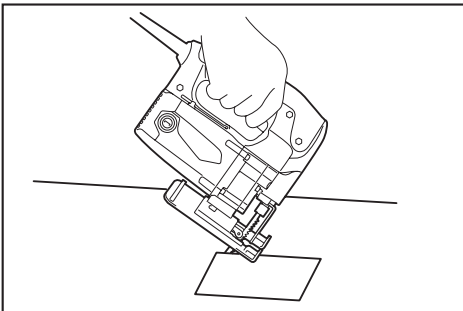


Fig.12

SPECIFICATIONS

Model		M4302
Length of stroke		26 mm
Max. cutting capacities	Wood	55 mm
	Steel	6 mm
Strokes per minute (min ⁻¹)		0 - 3,100
Overall length		219 mm
Net weight		2.5 kg
Safety class		□/II

- Due to our continuing program of research and development, the specifications herein are subject to change without notice.
- Specifications may differ from country to country.
- Weight according to EPTA-Procedure 01/2014

Symbols

The followings show the symbols which may be used for the equipment. Be sure that you understand their meaning before use.



Read instruction manual.



DOUBLE INSULATION



Only for EU countries
Do not dispose of electric equipment together with household waste material! In observance of the European Directive, on Waste Electric and Electronic Equipment and its implementation in accordance with national law, electric equipment that have reached the end of their life must be collected separately and returned to an environmentally compatible recycling facility.

Intended use

The tool is intended for the sawing of wood, plastic and metal materials. As a result of the extensive accessory and saw blade program, the tool can be used for many purposes and is very well suited for curved or circular cuts.

Power supply

The tool should be connected only to a power supply of the same voltage as indicated on the nameplate, and can only be operated on single-phase AC supply. They are double-insulated and can, therefore, also be used from sockets without earth wire.

General power tool safety warnings

⚠ WARNING: Read all safety warnings, instructions, illustrations and specifications provided with this power tool. Failure to follow all instructions listed below may result in electric shock, fire and/or serious injury.

Save all warnings and instructions for future reference.

The term "power tool" in the warnings refers to your mains-operated (corded) power tool or battery-operated (cordless) power tool.

Work area safety

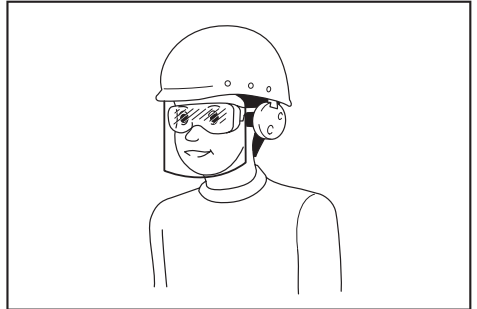
1. **Keep work area clean and well lit.** Cluttered or dark areas invite accidents.
2. **Do not operate power tools in explosive atmospheres, such as in the presence of flammable liquids, gases or dust.** Power tools create sparks which may ignite the dust or fumes.
3. **Keep children and bystanders away while operating a power tool.** Distractions can cause you to lose control.

Electrical safety

1. **Power tool plugs must match the outlet. Never modify the plug in any way. Do not use any adapter plugs with earthed (grounded) power tools.** Unmodified plugs and matching outlets will reduce risk of electric shock.
2. **Avoid body contact with earthed or grounded surfaces, such as pipes, radiators, ranges and refrigerators.** There is an increased risk of electric shock if your body is earthed or grounded.
3. **Do not expose power tools to rain or wet conditions.** Water entering a power tool will increase the risk of electric shock.
4. **Do not abuse the cord. Never use the cord for carrying, pulling or unplugging the power tool. Keep cord away from heat, oil, sharp edges or moving parts.** Damaged or entangled cords increase the risk of electric shock.

5. **When operating a power tool outdoors, use an extension cord suitable for outdoor use.** Use of a cord suitable for outdoor use reduces the risk of electric shock.
6. **If operating a power tool in a damp location is unavoidable, use a residual current device (RCD) protected supply.** Use of an RCD reduces the risk of electric shock.
7. **Use of power supply via an RCD with a rated residual current of 30 mA or less is always recommended.**
8. **Power tools can produce electromagnetic fields (EMF) that are not harmful to the user.** However, users of pacemakers and other similar medical devices should contact the maker of their device and/or doctor for advice before operating this power tool.
9. **Do not touch the power plug with wet hands.**
10. **If the cord is damaged, have it replaced by the manufacturer or his agent in order to avoid a safety hazard.**

9. **Always wear protective goggles to protect your eyes from injury when using power tools. The goggles must comply with ANSI Z87.1 in the USA, EN 166 in Europe, or AS/NZS 1336 in Australia/New Zealand. In Australia/New Zealand, it is legally required to wear a face shield to protect your face, too.**



It is an employer's responsibility to enforce the use of appropriate safety protective equipments by the tool operators and by other persons in the immediate working area.

Personal safety

1. **Stay alert, watch what you are doing and use common sense when operating a power tool. Do not use a power tool while you are tired or under the influence of drugs, alcohol or medication.** A moment of inattention while operating power tools may result in serious personal injury.
2. **Use personal protective equipment. Always wear eye protection.** Protective equipment such as a dust mask, non-skid safety shoes, hard hat or hearing protection used for appropriate conditions will reduce personal injuries.
3. **Prevent unintentional starting. Ensure the switch is in the off-position before connecting to power source and/or battery pack, picking up or carrying the tool.** Carrying power tools with your finger on the switch or energising power tools that have the switch on invites accidents.
4. **Remove any adjusting key or wrench before turning the power tool on.** A wrench or a key left attached to a rotating part of the power tool may result in personal injury.
5. **Do not overreach. Keep proper footing and balance at all times.** This enables better control of the power tool in unexpected situations.
6. **Dress properly. Do not wear loose clothing or jewellery. Keep your hair and clothing away from moving parts.** Loose clothes, jewellery or long hair can be caught in moving parts.
7. **If devices are provided for the connection of dust extraction and collection facilities, ensure these are connected and properly used.** Use of dust collection can reduce dust-related hazards.
8. **Do not let familiarity gained from frequent use of tools allow you to become complacent and ignore tool safety principles.** A careless action can cause severe injury within a fraction of a second.

Power tool use and care

1. **Do not force the power tool. Use the correct power tool for your application.** The correct power tool will do the job better and safer at the rate for which it was designed.
2. **Do not use the power tool if the switch does not turn it on and off.** Any power tool that cannot be controlled with the switch is dangerous and must be repaired.
3. **Disconnect the plug from the power source and/or remove the battery pack, if detachable, from the power tool before making any adjustments, changing accessories, or storing power tools.** Such preventive safety measures reduce the risk of starting the power tool accidentally.
4. **Store idle power tools out of the reach of children and do not allow persons unfamiliar with the power tool or these instructions to operate the power tool.** Power tools are dangerous in the hands of untrained users.
5. **Maintain power tools and accessories. Check for misalignment or binding of moving parts, breakage of parts and any other condition that may affect the power tool's operation. If damaged, have the power tool repaired before use.** Many accidents are caused by poorly maintained power tools.
6. **Keep cutting tools sharp and clean.** Properly maintained cutting tools with sharp cutting edges are less likely to bind and are easier to control.
7. **Use the power tool, accessories and tool bits etc. in accordance with these instructions, taking into account the working conditions and the work to be performed.** Use of the power tool for operations different from those intended could result in a hazardous situation.

8. **Keep handles and grasping surfaces dry, clean and free from oil and grease.** Slippery handles and grasping surfaces do not allow for safe handling and control of the tool in unexpected situations.
9. **When using the tool, do not wear cloth work gloves which may be entangled.** The entanglement of cloth work gloves in the moving parts may result in personal injury.

Service

1. **Have your power tool serviced by a qualified repair person using only identical replacement parts.** This will ensure that the safety of the power tool is maintained.
2. **Follow instruction for lubricating and changing accessories.**

Jig saw safety warnings

1. **Hold the power tool by insulated gripping surfaces, when performing an operation where the cutting accessory may contact hidden wiring or its own cord.** Cutting accessory contacting a "live" wire may make exposed metal parts of the power tool "live" and could give the operator an electric shock.
2. **Use clamps or another practical way to secure and support the workpiece to a stable platform.** Holding the workpiece by hand or against your body leaves it unstable and may lead to loss of control.
3. **Always use safety glasses or goggles.** Ordinary eye or sun glasses are NOT safety glasses.
4. **Avoid cutting nails. Inspect workpiece for any nails and remove them before operation.**
5. **Do not cut oversize workpiece.**
6. **Check for the proper clearance beyond the workpiece before cutting so that the blade will not strike the floor, workbench, etc.**
7. **Hold the tool firmly.**
8. **Make sure the blade is not contacting the workpiece before the switch is turned on.**
9. **Keep hands away from moving parts.**
10. **Do not leave the tool running. Operate the tool only when hand-held.**
11. **Always switch off and wait for the blade to come to a complete stop before removing the blade from the workpiece.**
12. **Do not touch the blade or the workpiece immediately after operation; they may be extremely hot and could burn your skin.**
13. **Do not operate the tool at no-load unnecessarily.**
14. **Some material contains chemicals which may be toxic. Take caution to prevent dust inhalation and skin contact. Follow material supplier safety data.**
15. **Always use the correct dust mask/respirator for the material and application you are working with.**

SAVE THESE INSTRUCTIONS.

⚠WARNING: DO NOT let comfort or familiarity with product (gained from repeated use) replace strict adherence to safety rules for the subject product. MISUSE or failure to follow the safety rules stated in this instruction manual may cause serious personal injury.

FUNCTIONAL DESCRIPTION

⚠CAUTION:

- Always be sure that the tool is switched off and unplugged before adjusting or checking functions on the tool.

Switch action

⚠CAUTION:

- Before plugging in the tool, always check to see that the switch trigger actuates properly and returns to the "OFF" position when released.
- Switch can be locked in "ON" position for ease of operator comfort during extended use. Apply caution when locking tool in "ON" position and maintain firm grasp on tool.

► **Fig. 1:** 1. Lock button 2. Switch trigger 3. Speed control screw

To start the tool, simply pull the switch trigger. Tool speed is increased by increasing pressure on the switch trigger. Release the switch trigger to stop.

For continuous operation, pull the switch trigger, push in the lock button and then release the switch trigger.

To stop the tool from the locked position, pull the switch trigger fully, then release it.

A speed control screw is provided so that maximum tool speed can be limited (variable). Turn the speed control screw clockwise for higher speed, and counterclockwise for lower speed.

ASSEMBLY

⚠ CAUTION:

- Always be sure that the tool is switched off and unplugged before carrying out any work on the tool.

Installing or removing saw blade

⚠ CAUTION:

- Always clean out all chips or foreign matter adhering to the blade and/or blade holder. Failure to do so may cause insufficient tightening of the blade, resulting in serious personal injury.
- Do not touch the blade or the workpiece immediately after operation as they may be extremely hot and could cause burn injury.
- Always secure the blade firmly. Insufficient tightening of the blade may cause blade breakage or serious personal injury.

► Fig.2: 1. Hex socket head bolt 2. Hex wrench

To install the blade, loosen the bolt counterclockwise on the blade holder with the hex wrench.

With the blade teeth facing forward, insert the blade into the blade holder as far as it will go. Make sure that the back edge of the blade fits into the roller. Then tighten the bolt clockwise to secure the blade.

To remove the blade, follow the installation procedure in reverse.

Adjusting roller

► Fig.3: 1. Hex wrench 2. Hex bolt

► Fig.4: 1. Roller 2. Saw blade

Loosen the hex bolt on the back of the base with the hex wrench. Move the retainer so that the roller contacts the blade lightly. Then tighten the hex bolt to secure the base and the retainer.

However, when using the blade that does not have a straight back, slide the retainer back so that the roller will not contact the blade.

NOTE:

- Occasionally lubricate the roller.

Hex wrench storage

► Fig.5: 1. Hex wrench

When not in use, the hex wrench can be conveniently stored.

OPERATION

⚠ CAUTION:

- Hold the tool firmly with one hand on the main handle when using the tool. If necessary, the front part of the tool may be supported by the other hand.
- Always hold the base flush with the workpiece. Failure to do so may cause blade breakage, resulting in serious injury.
- Advance the tool very slowly when cutting curves or scrolling. Forcing the tool may cause a slanted cutting surface and blade breakage.

► Fig.6

Turn the tool on without the blade making any contact and wait until the blade attains full speed. Then rest the base flat on the workpiece and gently move the tool forward along the previously marked cutting line.

Bevel cutting

⚠ CAUTION:

- Always be sure that the tool is switched off and unplugged before tilting the base.

► Fig.7

With the base tilted, you can make bevel cuts at any angle between 0° and 45° (left or right).

► Fig.8: 1. Hex wrench 2. Hex bolt

Loosen the bolt on the back of the base with the hex wrench and slide the base backwards.

► Fig.9: 1. Edge of housing 2. Graduation

Tilt the base until the desired bevel angle is obtained.

The edge of the housing indicates the bevel angle by graduations. Then check the contact between the back edge of the blade and the roller. Now tighten the bolt to secure the base.

Front flush cuts

► Fig.10: 1. Hex wrench 2. Hex bolt

Loosen the bolt on the back of the base with the hex wrench and slide the base all the way back. Then tighten the bolt to secure the base.

Cutouts

Cutouts can be made with either of two methods A or B.

A) Boring a starting hole

► Fig.11

For internal cutouts without a lead-in cut from an edge, pre-drill a starting hole 12 mm or more in diameter. Insert the blade into this hole to start your cut.

B) Plunge cutting

► Fig.12

You need not bore a starting hole or make a lead-in cut if you carefully do as follows.

- (1) Tilt the tool up on the front edge of the base with the blade point positioned just above the workpiece surface.
- (2) Apply pressure to the tool so that the front edge of the base will not move when you switch on the tool and gently lower the back end of the tool slowly.
- (3) As the blade pierces the workpiece, slowly lower the base of the tool down onto the workpiece surface.
- (4) Complete the cut in the normal manner.

Finishing edges

► Fig.13

To trim edges or make dimensional adjustments, run the blade lightly along the cut edges.

For smoother cutting of plywood or other workpiece with easily splintered surfaces, transparent tape may be used over your cutting line.

Metal cutting

Always use a suitable coolant (cutting oil) when cutting metal. Failure to do so will cause significant blade wear. The underside of the workpiece can be greased instead of using a coolant.

MAINTENANCE

▲ CAUTION:

- Always be sure that the tool is switched off and unplugged before attempting to perform inspection or maintenance.
- Never use gasoline, benzine, thinner, alcohol or the like. Discoloration, deformation or cracks may result.

Replacing carbon brushes

► Fig.14: 1. Limit mark

Remove and check the carbon brushes regularly. Replace when they wear down to the limit mark. Keep the carbon brushes clean and free to slip in the holders. Both carbon brushes should be replaced at the same time. Use only identical carbon brushes.

Use a screwdriver to remove the brush holder caps. Take out the worn carbon brushes, insert the new ones and secure the brush holder caps.

► Fig.15: 1. Screwdriver 2. Brush holder cap

To maintain product SAFETY and RELIABILITY, repairs, any other maintenance or adjustment should be performed by Makita Authorized Service Centers, always using Makita replacement parts.

规格

型号	M4302	
冲程长度	26 mm	
最大切割能力	木材	55 mm
	钢材	6 mm
冲程速度 (/min)	0 - 3,100	
总长度	219 mm	
净重	2.5 kg	
安全等级	II/III	

- 生产者保留变更规格不另行通知之权利。
- 规格可能因销往国家之不同而异。
- 重量符合EPTA-Procedure 01/2014

符号

以下显示本设备可能会使用的符号。在使用工具之前，请务必理解其含义。



阅读使用说明书。



II类工具



仅限于欧盟国家
请勿将电气设备与家庭普通废弃物一同丢弃！请务必遵守欧洲关于废弃电子电气设备的指令，根据各国法律法规执行。达到使用寿命的电气设备必须分类回收至符合环境保护规定的再循环机构。

用途

本工具可锯木材、塑料及金属材料。如果与各类附件及锯片结合使用，本工具可以用于各种用途，尤其适合曲线或圆形切割。

电源

本工具只可连接电压与铭牌所示电压相同的电源，且仅可使用单相交流电源。本工具双重绝缘，因此也可用于不带接地线的插座。

电动工具通用安全警告

警告： 阅读随电动工具提供的所有安全警告、说明、图示和规定。不遵照以下所列说明会导致电击、着火和 / 或严重伤害。

保存所有警告和说明书以备查阅。

警告中的术语“电动工具”是指市电驱动（有线）电动工具或电池驱动（无线）电动工具。

工作场地的安全

1. 保持工作场地清洁和明亮。杂乱和黑暗的场地会引发事故。
2. 不要在易爆环境，如有易燃液体、气体或粉尘的环境下操作电动工具。电动工具产生的火花会点燃粉尘或气体。
3. 操作电动工具时，远离儿童和旁观者。注意力不集中会使你失去对工具的控制。

电气安全

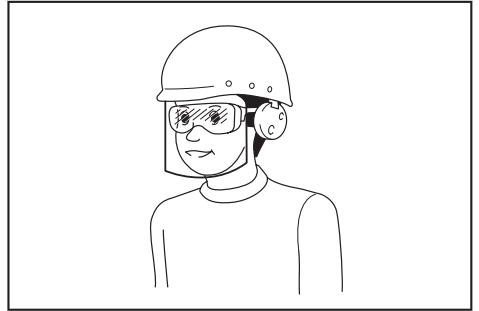
1. 电动工具插头必须与插座相配。绝不能以任何方式改装插头。需接地的电动工具不能使用任何转换插头。未经改装的插头和相配的插座将降低电击风险。
2. 避免人体接触接地表面，如管道、散热片和冰箱。如果你身体接触接地表面会增加电击风险。
3. 不得将电动工具暴露在雨中或潮湿环境中。水进入电动工具将增加电击风险。

4. 不得滥用软线。绝不能用软线搬运、拉动电动工具或拔出其插头。使软线远离热源、油、锐边或运动部件。受损或缠绕的软线会增加电击风险。
5. 当在户外使用电动工具时，使用适合户外使用的延长线。适合户外使用的电线将降低电击风险。
6. 如果无法避免在潮湿环境中操作电动工具，应使用带有剩余电流装置（RCD）保护的电源。RCD的使用可降低电击风险。
7. 始终建议通过额定剩余电流为30 mA或以下的RCD来使用电源。
8. 电动工具会产生对用户无害的电磁场（EMF）。但是，起搏器和其他类似医疗设备的用户应在操作本电动工具前咨询其设备的制造商和/或医生寻求建议。
9. 请勿用湿手触摸电源插头。
10. 如果导线破损，则由制造商或其代理商更换以避免安全隐患。

人身安全

1. 保持警觉，当操作电动工具时关注所从事的操作并保持清醒。当你感到疲倦，或在有药物、酒精或治疗反应时，不要操作电动工具。在操作电动工具时瞬间的疏忽会导致严重人身伤害。
2. 使用个人防护装置。始终佩戴护目镜。防护装置，诸如适当条件下使用防尘面具、防滑安全鞋、安全帽、听力防护等装置能减少人身伤害。
3. 防止意外起动。在连接电源和/或电池包、拿起或搬运工具前确保开关处于关断位置。手指放在开关上搬运工具或开关处于接通时通电会导致危险。
4. 在电动工具接通之前，拿掉所有调节钥匙或扳手。遗留在电动工具旋转零件上的扳手或钥匙会导致人身伤害。
5. 手不要过分伸展。时刻注意立足点和身体平衡。这样能在意外情况下能更好地控制住电动工具。
6. 着装适当。不要穿宽松衣服或佩戴饰品。让你的头发和衣服远离运动部件。宽松衣服、佩饰或长发可能会卷入运动部件。
7. 如果提供了与排屑、集尘设备连接用的装置，要确保其连接完好且使用得当。使用集尘装置可降低尘屑引起的危险。

8. 不要因为频繁使用工具而产生的熟悉感而掉以轻心，忽视工具的安全准则。某个粗心的动作可能在瞬间导致严重的伤害。
9. 使用电动工具时请始终佩带护目镜以免伤害眼睛。护目镜须符合美国ANSI Z87.1、欧洲EN 166或者澳大利亚/新西兰的AS/NZS 1336的规定。在澳大利亚/新西兰，法律要求佩带面罩保护脸部。



雇主有责任监督工具操作者和其他近工作区域人员佩带合适的安全防护设备。

电动工具使用和注意事项

1. 不要勉强使用电动工具，根据用途使用合适的电动工具。选用合适的按照额定值设计的电动工具会使你工作更有效、更安全。
2. 如果开关不能接通或关断电源，则不能使用该电动工具。不能通过开关来控制的电动工具是危险的且必须进行修理。
3. 在进行任何调节、更换附件或贮存电动工具之前，必须从电源上拔掉插头和/或卸下电池包（如可拆卸）。这种防护性的安全措施降低了电动工具意外起动的风险。
4. 将闲置不用的电动工具贮存在儿童所及范围之外，并且不允许不熟悉电动工具和不了解这些说明的人操作电动工具。电动工具在未经培训的使用者手中是危险的。
5. 维护电动工具及其附件。检查运动部件是否调整到位或卡住，检查零件破损情况和影响电动工具运行的其他状况。如有损坏，应在使用前修理好电动工具。许多事故是由维护不良的电动工具引发的。
6. 保持切削刀具锋利和清洁。维护良好地有锋利切削刃的刀具不易卡住而且容易控制。

- 按照使用说明书，并考虑作业条件和要进行的作业来选择电动工具、附件和工具的刀头等。将电动工具用于那些与其用途不符的操作可能会导致危险情况。
- 保持手柄和握持表面干燥、清洁，不得沾有油脂。在意外的情况下，湿滑的手柄不能保证握持的安全和对工具的控制。
- 使用本工具时，请勿佩戴可能会缠结的布质工作手套。布质工作手套卷入移动部件可能会造成人身伤害。

维修

- 由专业维修人员使用相同的备件维修电动工具。这将保证所维修的电动工具的安全。
- 上润滑油及更换附件时请遵循本说明书指示。

曲线锯安全警告

- 在切割附件可能触及暗线或其自身软线之处进行操作时，要通过绝缘握持面来握持工具。切割附件碰到带电导线会使工具外露的金属零件带电从而使操作者受到电击。
- 请使用螺丝钳或其他可行的方式将工件夹紧并固定在稳定的平台上。手持工件或将工件抵在身上，可能会导致工件摆放不稳，使工具失去控制。
- 请使用安全眼镜或护目镜。普通眼镜或太阳眼镜并非安全眼镜。
- 注意不要切割到铁钉。操作前请检查工件上是否有铁钉并将其清除。
- 请勿切割尺寸过大的工件。
- 切割作业前请检查确认已在工件周围留出合适的间隙，以免切割时锯片接触到地板或工作台等物体。
- 请牢握本工具。
- 打开开关前，请确认锯片未与工件接触。
- 手应远离移动的部件。
- 运行中的工具不可离手放置。只可在手握工具的情况下操作工具。
- 将锯片从工件上取下之前，请务必关闭工具电源并等待锯片完全停止。
- 操作之后，请勿立刻触摸锯片或工件，因为它们可能会非常烫而导致烫伤皮肤。
- 如无必要，请勿在空载状态下操作工具。
- 某些材料含有有毒化学物质。小心不要吸入粉尘，并避免皮肤接触。遵循材料供应商的安全提示。

- 根据您操作的材料及应用，请务必使用正确的防尘面罩/呼吸器。

请保留此说明书。

警告： 请勿为图方便或因对产品足够熟悉（由于重复使用而获得的经验）而不严格遵循相关产品安全规则。使用不当或不遵循使用说明书中的安全规则会导致严重的人身伤害。

功能描述

小心：

- 在调节或检查工具功能之前，请务必关闭工具电源开关并拔出电源插头。

开关操作

小心：

- 插上工具电源插头之前，请务必确认开关扳机能够正常工作，松开时能回到“OFF”（关闭）位置。
- 长时间使用时，可将开关锁定在“ON”（开启）位置，使操作更加舒适。将工具锁定在“ON”（开启）位置时请小心，务必抓牢工具。

► **图片1:** 1. 锁定按钮 2. 开关扳机 3. 速度控制螺丝

若要启动工具，只需扣动开关扳机即可。随着施加在开关扳机上的压力逐渐增大，工具速度也会提高。松开开关扳机工具即停止。连续操作时，请扣动开关扳机并按下锁定按钮，然后松开开关扳机。

要从锁定位置停止工具时，可将开关扳机扣到底，然后松开。

本工具采用速度控制螺丝，可限制工具的最大速度（可变）。顺时针转动速度控制螺丝可以提高速度，逆时针转动则降低速度。

装配

⚠小心:

- 对工具进行任何装配操作前请务必确认机器已关闭且已拔下电源插头。

安装或拆卸锯片

⚠小心:

- 务必清除全部碎屑以及附着在锯片和 / 或锯片支架上的异物。否则可能会导致锯片紧固不足, 从而造成严重的人身伤害。
- 操作结束后, 锯片或工件温度可能会很高, 此时请勿触摸, 否则可能会导致皮肤烫伤。
- 请务必牢牢固定锯片。锯片紧固不足可能会导致锯片破损或严重的人身伤害。

► 图片2: 1. 内六角头螺栓 2. 六角扳手

要安装锯片时, 请使用六角扳手逆时针拧松锯片支架上的螺栓。

保持锯齿朝前, 将锯片插入锯片支架, 尽量将其推到底。确保锯片后缘进入轱轮。然后顺时针拧紧螺栓以固定锯片。

要拆下锯片时, 请按照与安装步骤相反的顺序进行操作。

调节轱轮

► 图片3: 1. 六角扳手 2. 六角螺栓

► 图片4: 1. 轱轮 2. 锯片

用六角扳手拧松基座背面的六角螺栓。移动锁紧栓, 使轱轮轻触锯片。然后拧紧六角螺栓以固定基座和锁紧栓。

当使用非直背型锯片时, 请向后滑动锁紧栓以避免轱轮接触锯片。

注:

- 每隔一段时间润滑一下轱轮。

存放六角扳手存放

► 图片5: 1. 六角扳手

不使用时, 可以很方便地收纳存放六角扳手。

操作

⚠小心:

- 使用本工具时, 请单手紧握主手柄。若有必要, 请用另一只手托住工具前部。
- 务必使基座与工件保持平齐。否则可能会导致锯片破裂, 从而造成严重的人身伤害。
- 切割曲面或卷轴面时, 请非常缓慢地推进工具。对工具过度施力可能会导致切割面倾斜及锯片破损。

► 图片6

在锯片不与工件接触的情况下打开工具电源, 等待其转速达到全速。然后, 将基座水平放置在工件上, 沿着事先画好的切割线轻轻向前移动工具。

斜切角切割

⚠小心:

- 倾斜基座前, 请务必确认工具已关闭且已拔下电源插头。

► 图片7

基座倾斜后, 您可以进行 0° 到 45° 角之间任意角度(左边或右边)的斜切角切割。

► 图片8: 1. 六角扳手 2. 六角螺栓

用六角扳手将基座背面的螺栓拧松, 然后向后推动基座。

► 图片9: 1. 壳体边缘 2. 刻度

倾斜基座直至达到所需的斜切割角度。壳体边缘上标有刻度, 可表示斜切割角度。随后检查锯片背面边缘与轱轮有无接触。最后, 将螺栓拧紧以固定基座。

前平齐切割

► 图片10: 1. 六角扳手 2. 六角螺栓

用六角扳手将基座背面的螺栓拧松，向后将基座推到底。然后将螺栓拧紧以固定基座。

挖切

通过下面的A或B方法可以完成挖切操作。

A) 钻一个起始孔

► 图片11

对于内部挖切，如果在边缘没有切割导入点，可以先钻一个直径12 mm或以上的起始孔。将锯片插入孔中，然后开始切割作业。

B) 切入式切割

► 图片12

如果按照下列方法仔细执行，则不需要钻起始孔或准备切割导入点。

- (1) 将工具倾斜至基座前端，使锯片尖端置于工件表面上方。
- (2) 紧握工具以确保基座前端在您启动工具并慢慢降低工具后端时不会移动。
- (3) 在锯片穿过工件后，缓慢降低工具基座，将其放在工件表面。
- (4) 然后以标准方式完成整个切割过程。

边缘修整

► 图片13

要修整切边或进行尺寸调整时，沿切边轻轻移动锯片。

为了更加平稳地切割夹板或其他表面容易开裂的工件，可以在切割线上粘贴透明胶带。

金属切割

切割金属时，请务必使用合适的冷却液（切割油）。否则会导致锯片严重磨损。工件的背面可以使用润滑脂代替冷却液。

保养

⚠️ 小心:

- 检查或保养工具之前，请务必关闭工具电源开关并拔下插头。
- 切勿使用汽油、苯、稀释剂、酒精或类似物品清洁工具。否则可能会导致工具变色、变形或出现裂缝。

更换碳刷

► 图片14: 1. 界限磨损线

定期拆下碳刷进行检查。在碳刷磨损到界限磨损线时进行更换。请保持碳刷清洁并使其在碳刷夹内能自由滑动。两个碳刷应同时更换。请仅使用相同的碳刷。

使用螺丝刀拆下碳刷夹盖。取出已磨损的碳刷，插入新的碳刷，然后紧固碳刷夹盖。

► 图片15: 1. 螺丝刀 2. 碳刷夹盖

为了保证产品的安全性与可靠性，维修、任何其他的维修保养或调节需由Makita（牧田）授权的维修服务中心完成。务必使用Makita（牧田）的替换部件。

SPEKIFIKASI

Model		M4302
Panjang langkah		26 mm
Kapasitas pemotongan maks.	Kayu	55 mm
	Baja	6 mm
Langkah per menit (min ⁻¹)		0 - 3.100
Panjang keseluruhan		219 mm
Berat bersih		2,5 kg
Kelas keamanan		□/II

- Karena kesinambungan program penelitian dan pengembangan kami, spesifikasi yang disebutkan di sini dapat berubah tanpa pemberitahuan.
- Spesifikasi dapat berbeda dari satu negara ke negara lainnya.
- Berat menurut Prosedur EPTA 01/2014

Simbol

Berikut ini adalah simbol-simbol yang dapat digunakan pada peralatan ini. Pastikan Anda memahami arti masing-masing simbol sebelum menggunakan peralatan.



Baca petunjuk penggunaan.



ISOLASI GANDA



Hanya untuk negara-negara Uni Eropa
Jangan membuang peralatan listrik atau baterai bersama-sama dengan bahan limbah rumah tangga! Dengan memerhatikan Petunjuk Eropa, tentang Limbah Peralatan Listrik dan Elektronik serta pelaksanaannya sesuai dengan ketentuan hukum nasional, peralatan listrik yang telah habis umur pakainya harus dikumpulkan secara terpisah dan dikembalikan ke fasilitas daur ulang yang kompatibel secara lingkungan.

Penggunaan

Mesin ini digunakan untuk menggergaji kayu, plastik dan bahan logam. Sebagai hasil dari aksesoris tambahan dan program mata pisau gergaji, mesin dapat digunakan untuk banyak tujuan dan sangat sesuai untuk potongan lengkung atau lingkaran.

Pasokan daya

Mesin harus terhubung dengan pasokan daya listrik yang bervoltase sama dengan yang tertera pada pelat nama, dan hanya dapat dijalankan dengan listrik AC fase tunggal. Mesin diisolasi ganda dan oleh sebab itu dapat dihubungkan dengan soket tanpa kabel.

Peringatan keselamatan umum mesin listrik

⚠ PERINGATAN: Bacalah semua peringatan keselamatan, petunjuk, ilustrasi dan spesifikasi yang disertakan bersama mesin listrik ini. Kelalaian untuk mematuhi semua petunjuk yang tercantum di bawah ini dapat menyebabkan sengatan listrik, kebakaran dan/atau cedera serius.

Simpanlah semua peringatan dan petunjuk untuk acuan di masa depan.

Istilah "mesin listrik" dalam semua peringatan mengacu pada mesin listrik yang dijalankan dengan sumber listrik jala-jala (berkabel) atau baterai (tanpa kabel).

Keselamatan tempat kerja

1. **Jaga tempat kerja selalu bersih dan berpenerangan cukup.** Tempat kerja yang berantakan dan gelap mengundang kecelakaan.
2. **Jangan gunakan mesin listrik dalam lingkungan yang mudah meledak, misalnya jika ada cairan, gas, atau debu yang mudah menyala.** Mesin listrik menimbulkan bunga api yang dapat menyalakan debu atau uap tersebut.
3. **Jauhkan anak-anak dan orang lain saat menggunakan mesin listrik.** Bila perhatian terpecah, anda dapat kehilangan kendali.

Keamanan Kelistrikan

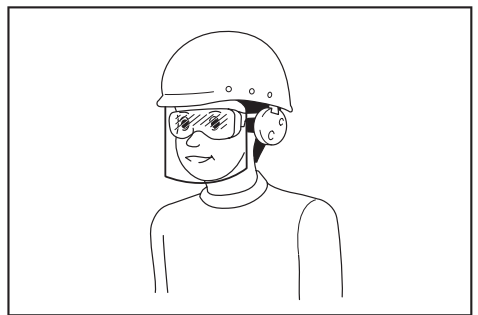
1. **Steker mesin listrik harus cocok dengan stopkontak. Jangan sekali-kali mengubah steker dengan cara apa pun. Jangan menggunakan steker adaptor dengan mesin listrik terbumi (dibumikan).** Steker yang tidak diubah dan stopkontak yang cocok akan mengurangi risiko sengatan listrik.

2. **Hindari sentuhan tubuh dengan permukaan terbumi atau yang dibumikan seperti pipa, radiator, kompor, dan kulkas.** Risiko sengatan listrik bertambah jika tubuh Anda terbumikan atau dibumikan.
3. **Jangan membiarkan mesin listrik kehujanan atau kebasahan.** Air yang masuk ke dalam mesin listrik akan meningkatkan risiko sengatan listrik.
4. **Jangan menyalahgunakan kabel.** Jangan sekali-kali menggunakan kabel untuk membawa, menarik, atau mencabut mesin listrik dari stopkontak. Jauhkan kabel dari panas, minyak, tepian tajam, atau bagian yang bergerak. Kabel yang rusak atau kusut memperbesar risiko sengatan listrik.
5. **Bila menggunakan mesin listrik di luar ruangan, gunakan kabel ekstensi yang sesuai untuk penggunaan di luar ruangan.** Penggunaan kabel yang sesuai untuk penggunaan luar ruangan mengurangi risiko sengatan listrik.
6. **Jika mengoperasikan mesin listrik di lokasi lembap tidak terhindarkan, gunakan pasokan daya yang dilindungi peranti imbasan arus (residual current device - RCD).** Penggunaan RCD mengurangi risiko sengatan listrik.
7. **Penggunaan pasokan daya melalui RCD dengan kapasitas arus sisa 30 mA atau kurang selalu dianjurkan.**
8. **Mesin listrik dapat menghasilkan medan magnet (EMF) yang tidak berbahaya bagi pengguna.** Namun, pengguna alat pacu jantung atau peralatan medis sejenisnya harus berkonsultasi dengan produsen peralatan tersebut dan/atau dokter mereka sebelum mengoperasikan mesin listrik ini.
9. **Jangan menyentuh colokan daya dengan tangan basah.**
10. **Jika kabel rusak, penggantian harus dilakukan oleh produsen atau agennya untuk menghindari bahaya keselamatan.**

Keselamatan Diri

1. **Jaga kewaspadaan, perhatikan pekerjaan Anda dan gunakan akal sehat bila menggunakan mesin listrik.** Jangan menggunakan mesin listrik saat Anda lelah atau di bawah pengaruh obat bius, alkohol, atau obat. Sekejap saja lalai saat menggunakan mesin listrik dapat menyebabkan cedera badan serius.
2. **Gunakan alat pelindung diri.** Selalu gunakan pelindung mata. Peralatan pelindung seperti masker debu, sepatu pengaman anti-selip, helm pengaman, atau pelindung telinga yang digunakan untuk kondisi yang sesuai akan mengurangi risiko cedera badan.
3. **Cegah penyalaan yang tidak disengaja.** Pastikan bahwa sakelar berada dalam posisi mati (off) sebelum menghubungkan mesin ke sumber daya dan/atau paket baterai, atau mengangkat atau membawanya. Membawa mesin listrik dengan jari Anda pada sakelarnya atau mengalirkan listrik pada mesin listrik yang sakelarnya hidup (on) akan mengundang kecelakaan.

4. **Lepaskan kunci-kunci penyetel sebelum menghidupkan mesin listrik.** Kunci-kunci yang masih terpasang pada bagian mesin listrik yang berputar dapat menyebabkan cedera.
5. **Jangan meraih terlalu jauh. Jagalah pijakan dan keseimbangan sepanjang waktu.** Hal ini memungkinkan kendali yang lebih baik atas mesin listrik dalam situasi yang tidak diharapkan.
6. **Kenakan pakaian yang memadai. Jangan memakai pakaian yang longgar atau perhiasan. Jaga jarak antara rambut dan pakaian Anda dengan komponen mesin yang bergerak.** Pakaian yang longgar, perhiasan, atau rambut yang panjang dapat tersangkut pada komponen yang bergerak.
7. **Jika tersedia fasilitas untuk menghisap dan mengumpulkan debu, pastikan fasilitas tersebut terhubung listrik dan digunakan dengan baik.** Penggunaan pembersih debu dapat mengurangi bahaya yang terkait dengan debu.
8. **Jangan sampai Anda lengah dan mengabaikan prinsip keselamatan mesin ini hanya karena sudah sering mengoperasikannya dan sudah merasa terbiasa.** Tindakan yang lalai dapat menyebabkan cedera berat dalam sepersekian detik saja.
9. **Selalu kenakan kacamata pelindung untuk melindungi mata dari cedera saat menggunakan mesin listrik.** Kacamata harus sesuai dengan ANSI Z87.1 di Amerika Serikat, EN 166 di Eropa, atau AS/NZS 1336 di Australia/Selandia Baru. Di Australia/Selandia Baru, secara hukum Anda juga diwajibkan mengenakan pelindung wajah untuk melindungi wajah Anda.



Menjadi tanggung jawab atasan untuk menerapkan penggunaan alat pelindung keselamatan yang tepat bagi operator mesin dan orang lain yang berada di area kerja saat itu.

Penggunaan dan pemeliharaan mesin listrik

1. **Jangan memaksa mesin listrik.** Gunakan mesin listrik yang tepat untuk keperluan Anda. Mesin listrik yang tepat akan menuntaskan pekerjaan dengan lebih baik dan aman pada kecepatan sesuai rancangannya.
2. **Jangan gunakan mesin listrik jika sakelar tidak dapat menyalakan dan mematikannya.** Mesin listrik yang tidak dapat dikendalikan dengan sakelarnya adalah berbahaya dan harus diperbaiki.

3. Cabut steker dari sumber listrik dan/atau lepas paket baterai, jika dapat dilepas, dari mesin listrik sebelum melakukan penyetulan apa pun, mengganti aksesoris, atau menyimpan mesin listrik. Langkah keselamatan preventif tersebut mengurangi risiko hidupnya mesin secara tak sengaja.
4. Simpan mesin listrik jauh dari jangkauan anak-anak dan jangan biarkan orang yang tidak paham mengenai mesin listrik tersebut atau petunjuk ini menggunakan mesin listrik. Mesin listrik sangat berbahaya di tangan pengguna yang tak terlatih.
5. Rawatlah mesin listrik dan aksesoris. Periksa apakah ada komponen bergerak yang tidak lurus atau macet, komponen yang pecah, dan kondisi-kondisi lain yang dapat memengaruhi pengoperasian mesin listrik. Jika rusak, perbaiki dahulu mesin listrik sebelum digunakan. Banyak kecelakaan disebabkan oleh kurangnya pemeliharaan mesin listrik.
6. Jaga agar mesin pemotong tetap tajam dan bersih. Mesin pemotong yang terawat baik dengan mata pemotong yang tajam tidak mudah macet dan lebih mudah dikendalikan.
7. Gunakan mesin listrik, aksesoris, dan mata mesin, dll. sesuai dengan petunjuk ini, dengan memperhitungkan kondisi kerja dan jenis pekerjaan yang dilakukan. Penggunaan mesin listrik untuk penggunaan yang lain dari peruntukan dapat menimbulkan situasi berbahaya.
8. Jagalah agar gagang dan permukaan pegangan tetap kering, bersih, dan bebas dari minyak dan pelumas. Gagang dan permukaan pegangan yang licin tidak mendukung keamanan penanganan dan pengendalian mesin dalam situasi-situasi tak terduga.
9. Ketika menggunakan mesin, jangan menggunakan sarung tangan kain yang dapat tersangkut. Sarung tangan kain yang tersangkut pada komponen bergerak dapat mengakibatkan cedera pada pengguna.

Servis

1. Berikan mesin listrik untuk diperbaiki hanya kepada oleh teknisi yang berkualifikasi dengan menggunakan hanya suku cadang pengganti yang serupa. Hal ini akan menjamin terjaganya keamanan mesin listrik.
2. Patuhi petunjuk pelumasan dan penggantian aksesoris.

Peringatan keselamatan gergaji jig

1. Pegang mesin listrik pada permukaan genggam yang terisolasi saat melakukan pekerjaan bila mesin pemotong mungkin bersentuhan dengan kawat tersembunyi atau kabelnya sendiri. Aksesoris pemotong yang menyentuh kawat "hidup" dapat menyebabkan bagian logam pada mesin teraliri arus listrik dan menyengat pengguna.
2. Gunakan klem atau cara praktis lainnya untuk mengikat dan menahan benda kerja pada posisi yang stabil. Menahan benda kerja dengan tangan atau berada pada posisi berlawanan dengan badan Anda membuat benda kerja tidak stabil dan dapat menyebabkan kehilangan kendali.
3. Selalu gunakan kaca mata pengaman atau kaca mata pelindung. Kaca mata biasa atau kaca mata hitam BUKANLAH kaca mata pengaman.
4. Hindari memotong paku. Periksa apakah terdapat paku di benda kerja dan buang semua paku sebelum pengoperasian.
5. Jangan memotong benda kerja terlalu besar.
6. Periksa apakah jarak di luar benda kerja sudah tepat sebelum memotong sehingga mata pisau tidak akan menabrak lantai, meja kerja, dll.
7. Pegang mesin kuat-kuat.
8. Pastikan bahwa mata pisau tidak menyentuh benda kerja sebelum sakelar dinyalakan.
9. Jauhkan tangan dari bagian yang berputar.
10. Jangan tinggalkan mesin dalam keadaan hidup. Jalankan mesin hanya ketika digenggam tangan.
11. Selalu matikan dan tunggu sampai mata pisau benar-benar berhenti sebelum melepas mata pisau dari benda kerja.
12. Jangan menyentuh mata pisau atau benda kerja segera setelah pengoperasian; suhunya mungkin masih sangat panas dan dapat membakar kulit Anda.
13. Jangan mengoperasikan mesin tanpa beban dengan tanpa keperluan.
14. Bahan tertentu mengandung zat kimia yang mungkin beracun. Hindari menghirup debu dan persentuhan dengan kulit. Ikuti data keselamatan bahan dari pemasok.
15. Selalu gunakan masker debu/alat pernafasan yang tepat sesuai bahan dan pekerjaan yang sedang Anda kerjakan.

SIMPAN PETUNJUK INI.

⚠ PERINGATAN: JANGAN biarkan kenyamanan atau terbiasanya Anda dengan produk (karena penggunaan berulang) mengurangi kepatuhan yang ketat terhadap aturan keselamatan untuk produk yang terkait. PENYALAHGUNAAN atau kelalaian mematuhi kaidah keselamatan yang tertera dalam petunjuk ini dapat menyebabkan cedera badan serius.

DESKRIPSI FUNGSI

⚠️ PERHATIAN:

- Selalu pastikan bahwa mesin dalam keadaan mati dan steker tercabut sebelum menyatel atau memeriksa kerja mesin.

Kerja sakelar

⚠️ PERHATIAN:

- Sebelum memasukkan steker, selalu periksa apakah pelatuk sakelar berfungsi dengan baik dan kembali ke posisi "OFF" saat dilepas.
- Sakelar dapat dikunci dalam posisi "ON" untuk memberikan kenyamanan bagi operator selama penggunaan dalam jangka waktu lama. Selalu berhati-hatilah saat mengunci mesin dalam posisi "ON", dan pegang mesin kuat-kuat.

► **Gbr.1:** 1. Tombol kunci 2. Pelatuk sakelar 3. Sekrup kontrol kecepatan

Untuk menjalankan mesin, cukup tarik pelatuk sakelar. Kecepatan mesin akan meningkat dengan menambah tekanan pada pelatuk sakelar. Lepaskan pelatuk sakelar untuk berhenti.

Untuk penggunaan terus-menerus, tarik pelatuk sakelar, tekan tombol kunci, lalu lepas pelatuk sakelar. Untuk membebaskan mesin dari posisi terkunci, tarik pelatuk sakelar sampai penuh, lalu lepaskan.

Sekrup kontrol kecepatan tersedia agar kecepatan maksimum mesin bisa dibatasi (variabel). Putar sekrup kontrol kecepatan searah jarum jam untuk kecepatan yang lebih tinggi, dan berlawanan arah jarum jam untuk kecepatan yang lebih rendah.

PERAKITAN

⚠️ PERHATIAN:

- Pastikan bahwa mesin dalam keadaan mati dan steker tercabut sebelum melakukan pekerjaan apa pun pada mesin.

Memasang dan melepas mata gergaji

⚠️ PERHATIAN:

- Selalu bersihkan serpihan atau benda asing yang melekat pada mata pisau dan/atau pemegang mata pisau. Kelalaian dalam melakukannya dapat mengakibatkan mata pisau tidak terpasang dengan kencang, yang dapat mengakibatkan cedera diri serius.
- Jangan menyentuh mata pisau atau benda kerja segera setelah pengoperasian karena suhunya mungkin masih sangat panas dan dapat menyebabkan luka bakar.
- Selalu kencangkan mata pisau. Pemasangan yang kurang kencang dapat menyebabkan kerusakan mata pisau atau cedera diri serius.

► **Gbr.2:** 1. Baut kepala soket segi enam 2. Kunci L

Untuk memasang mata pisau, kendurkan baut berlawanan arah jarum jam pada pemegang mata pisau dengan kunci L.

Dengan gigi mata pisau yang menghadap ke depan, masukkan mata pisau ke dalam pemegang mata pisau sedalam mungkin. Pastikan tepi belakang dari mata pisau sesuai dengan rol. Kemudian kencangkan baut searah jarum jam untuk mengencangkan pisau. Untuk melepas mata pisau, ikuti urutan terbalik dari prosedur pemasangan.

Rol penyatel

► **Gbr.3:** 1. Kunci L 2. Baut kepala segi enam

► **Gbr.4:** 1. Rol 2. Mata gergaji

Kendurkan baut kepala segi enam di bagian belakang dudukan dengan kunci L. Gerakkan penahan agar rol agak menyentuh mata pisau. Kemudian kencangkan baut kepala segi enam untuk mengencangkan dudukan dan penahan.

Namun, saat menggunakan mata pisau yang tidak memiliki punggung yang lurus, geser penahan ke belakang sehingga rol tidak akan menyentuh mata pisau.

CATATAN:

- Lumasi rol secara berkala.

Penyimpanan kunci L

► **Gbr.5:** 1. Kunci L

Saat tidak digunakan, kunci L dapat disimpan dengan mudah.

PENGOPERASIAN

⚠️ PERHATIAN:

- Pegang mesin kuat-kuat dengan satu tangan pada pegangan utama ketika menggunakan mesin. Jika diperlukan, bagian depan mesin dapat ditopang dengan tangan yang lain.
- Selalu pegang dudukan benam dengan benda kerja. Kelalaian dalam mengoperasikannya dapat menyebabkan pecahnya mata pisau, yang akan mengakibatkan cedera serius.
- Gerakkan mesin sangat perlahan ketika memotong lengkungan atau bergulir. Memaksakan mesin dapat menyebabkan permukaan pemotongan miring dan kerusakan mata pisau.

► **Gbr.6**

Nyalakan mesin dengan kondisi mata pisau tidak menyentuh apa pun dan tunggu sampai mata pisau mencapai kecepatan penuh. Kemudian letakkan dudukan mendatar di benda kerja dan perlahan gerakkan mesin ke depan mengikuti garis potong yang telah ditandai sebelumnya.

Pemotongan siku-siku

⚠ PERHATIAN:

- Selalu pastikan bahwa mesin sudah dimatikan dan dicabut stekernya memiringkan dudukan.

► Gbr.7

Dengan dudukan yang dimiringkan, Anda dapat melakukan pemotongan sudut siku-siku di sudut mana pun antara 0° dan 45° (kiri atau kanan).

► **Gbr.8:** 1. Kunci L 2. Baut kepala segi enam

Kendurkan baut di belakang dudukan dengan kunci L dan geser dudukan ke belakang.

► **Gbr.9:** 1. Tepi rumahan 2. Skala

Miringkan dudukan hingga sudut siku-siku yang diinginkan tercapai. Tepi rumahan mengindikasikan sudut siku-siku berdasarkan skala. Kemudian periksa kontak antara tepi belakang mata pisau dan rol.

Sekarang kencangkan baut untuk mengencangkan dudukan.

Potongan benam depan

► **Gbr.10:** 1. Kunci L 2. Baut kepala segi enam

Kendurkan baut di belakang dudukan dengan kunci L dan geser dudukan jauh ke belakang. Kemudian kencangkan baut untuk mengencangkan dudukan.

Potongan

Potongan dapat dibuat dengan dua metode A atau B.

A) Mengebor lubang awal

► **Gbr.11**

Untuk potongan internal tanpa potongan pemandu dari tepi, bor terlebih dahulu lubang awal berdiameter 12 mm atau lebih. Masukkan mata pisau ke dalam lubang ini untuk memulai pemotongan Anda.

B) Pemotongan plunge

► **Gbr.12**

Anda tidak perlu mengebor lubang awal atau membuat potongan pemandu jika Anda melakukan hal berikut secara berhati-hati.

- (1) Miringkan mesin ke tepian depan dudukan dengan titik mata pisau terletak di atas permukaan benda kerja.
- (2) Beri tekanan pada mesin sehingga tepi depan dudukan tidak akan bergerak ketika Anda menyalakan mesin dan perlahan turunkan bagian belakang mesin.
- (3) Sementara mata pisau menembus benda kerja, perlahan turunkan dudukan mesin ke permukaan benda kerja.
- (4) Selesaikan pemotongan dengan normal.

Pengerjaan akhir tepi

► **Gbr.13**

Untuk memangkas tepian atau membuat penyetelan dimensi, jalankan mata pisau secara perlahan di tepi pemotongan.

Untuk pemotongan lebih halus pada tripleks atau benda kerja lainnya yang memiliki permukaan yang mudah pecah, pita transparan dapat digunakan pada garis pemotongan Anda.

Pemotongan logam

Selalu gunakan pendingin (minyak pemotong) yang sesuai saat memotong logam. Kelalaian dalam melakukannya akan menyebabkan keausan signifikan pada mata pisau. Sisi bawah benda kerja lebih baik dilumasi gemuk daripada menggunakan pendingin.

PERAWATAN

⚠ PERHATIAN:

- Selalu pastikan bahwa mesin dimatikan dan steker dicabut sebelum melakukan pemeriksaan atau perawatan.
- Jangan sekali-kali menggunakan benzena, tiner, alkohol, atau bahan sejenisnya. Penggunaan bahan tersebut dapat menyebabkan perubahan warna, perubahan bentuk, atau timbulnya retakan.

Mengganti sikat karbon

► **Gbr.14:** 1. Tanda batas

Lepas dan periksa sikat karbon secara teratur. Lepas ketika aus sampai tanda batas. Jaga agar sikat karbon tetap bersih dan tidak bergeser dari penahan. Kedua sikat karbon harus diganti pada waktu yang sama. Hanya gunakan sikat karbon yang sama.

Gunakan obeng untuk melepaskan tutup tempat sikat. Tarik keluar sikat karbon yang aus, masukkan yang baru dan pasang tutup tempat sikat.

► **Gbr.15:** 1. Obeng 2. Tutup tempat sikat

Untuk menjaga KEAMANAN dan KEANDALAN produk, perbaikan, perawatan lain, atau penyetelan harus dilakukan oleh Pusat Layanan Resmi Makita dan selalu gunakan suku cadang pengganti buatan Makita.

SPEKIFIKASI

Model		M4302
Panjang ayunan		26 mm
Kapasiti pemotongan maks.	Kayu	55 mm
	Keluli	6 mm
Ayunan per minut (min ⁻¹)		0 - 3,100
Panjang keseluruhan		219 mm
Berat bersih		2.5 kg
Kelas keselamatan		□/II

- Disebabkan program penyelidikan dan pembangunan kami yang berterusan, spesifikasi yang terkandung di dalam ini adalah tertakluk kepada perubahan tanpa notis.
- Spesifikasi mungkin berbeza mengikut negara.
- Berat mengikut Prosedur EPTA 01/2014

Simbol

Berikut menunjukkan simbol-simbol yang boleh digunakan untuk alat ini. Pastikan anda memahami maksudnya sebelum menggunakan.



Baca manual arahan.



PENEBATAN BERGANDA



Hanya untuk negara-negara Kesatuan Eropah
 Jangan buang peralatan elektrik bersama bahan sisa rumah! Dalam mematuhi Arahan Eropah mengenai Sisa Peralatan Elektrik dan Elektronik serta pelaksanaannya mengikut undang-undang negara, peralatan elektrik yang telah mencapai akhir hayatnya mesti dikumpul secara berasingan dan dikembalikan ke kemudahan kitar semula yang bersesuaian dengan alam sekitar.

Tujuan penggunaan

Alat ini bertujuan untuk menggergaji kayu, plastik dan bahan logam. Hasil daripada aksesori yang luas dan program bilah gergaji, alat ini boleh digunakan untuk pelbagai tujuan dan sangat sesuai untuk pemotongan melengkung atau bulat.

Bekalan kuasa

Alat ini perlu disambungkan hanya kepada bekalan kuasa dengan voltan yang sama seperti yang ditunjukkan pada papan nama, dan hanya boleh dikendalikan pada bekalan AC fasa tunggal. Ia mempunyai penebatan berganda dan oleh itu, ia juga boleh digunakan pada soket tanpa wayar bumi.

Amaran keselamatan umum alat kuasa

⚠️AMARAN: Baca semua amaran keselamatan, arahan, ilustrasi dan spesifikasi yang disediakan dengan alat kuasa ini. Kegagalan mengikut semua arahan yang disenaraikan di bawah boleh menyebabkan kejutan elektrik, kebakaran dan/atau kecederaan serius.

Simpan semua amaran dan arahan untuk rujukan masa depan.

Istilah "alat kuasa" dalam amaran merujuk kepada alat kuasa yang menggunakan tenaga elektrik (dengan kord) atau alat kuasa yang menggunakan bateri (tanpa kord).

Keselamatan kawasan kerja

1. **Pastikan kawasan kerja bersih dan diterangi dengan baik.** Kawasan berselerak atau gelap mengundang kemalangan.
2. **Jangan kendalikan alat kuasa dalam keadaan yang mudah meletup, seperti dalam kehadiran cecair, gas atau habuk yang mudah terbakar.** Alat kuasa menghasilkan percikan api yang boleh menyalakan debu atau wasap.
3. **Jauhkan kanak-kanak dan orang ramai semasa mengendalikan alat kuasa.** Gangguan boleh menyebabkan anda hilang kawalan.

Keselamatan elektrik

1. **Palam alat kuasa mesti sepadan dengan soket.** Jangan ubah suai palam dalam apa cara sekalipun. Jangan gunakan sebarang palam penyesuai dengan alat kuasa terbumi. Palam yang tidak diubah suai dan soket yang sepadan akan mengurangkan risiko kejutan elektrik.
2. **Elakkan sentuhan badan dengan permukaan terbumi, seperti paip, radiator, dapur dan peti sejuk.** Terdapat peningkatan risiko kejutan elektrik jika elektrik terbumi terkena badan anda.

3. **Jangan biarkan alat kuasa terkena hujan atau basah.** Air yang memasuki alat kuasa akan meningkatkan risiko kejutan elektrik.
4. **Jangan salah gunakan kord. Jangan gunakan kord untuk membawa, menarik atau mencabut palam alat kuasa. Jauhkan kord dari haba, minyak, bucu tajam atau bahagian yang bergerak.** Kord yang rosak atau tersimpul meningkatkan risiko kejutan elektrik.
5. **Semasa mengendalikan alat kuasa di luar, gunakan kord sambungan yang bersesuaian untuk kegunaan luar.** Penggunaan kord yang sesuai untuk kegunaan luar mengurangkan risiko kejutan elektrik.
6. **Sekiranya pengendalian alat kuasa di lokasi lembap tidak dapat dielakkan, gunakan bekalan peranti arus sisa (RCD) yang dilindungi.** Penggunaan RCD mengurangkan risiko kejutan elektrik.
7. **Penggunaan bekalan kuasa melalui RCD dengan arus sisa yang bernilai 30 mA atau kurang sentiasa disyorkan.**
8. **Alat kuasa boleh menghasilkan medan elektromagnetik (EMF) yang tidak berbahaya kepada pengguna.** Walau bagaimanapun, pengguna perentak jantung atau peranti perubatan yang serupa harus menghubungi pembuat peranti mereka dan/atau doktor untuk nasihat sebelum mengendalikan alat kuasa ini.
9. **Jangan sentuh palam kuasa dengan tangan yang basah.**
10. **Jika kord rosak, minta ia diganti oleh pengilang atau ejennya bagi mengelakkan bahaya keselamatan.**

Keselamatan diri

1. **Sentiasa berwaspada, perhatikan apa yang anda lakukan dan guna akal budi semasa mengendalikan alat kuasa. Jangan gunakan alat kuasa semasa anda letih atau di bawah pengaruh dadah, alkohol atau ubat.** Kelekaan seketika semasa mengendalikan alat kuasa boleh menyebabkan kecederaan diri yang serius.
2. **Gunakan peralatan pelindung diri. Sentiasa pakai pelindung mata.** Peralatan pelindung seperti topeng debu, kasut keselamatan tak mudah tergelincir, topi keselamatan atau pelindung pendengaran yang digunakan untuk keadaan yang sesuai akan mengurangkan kecederaan diri.
3. **Elakkan permulaan yang tidak disengajakan. Pastikan suis ditutup sebelum menyambung kepada sumber kuasa dan/atau pek bateri, semasa mengangkat atau membawa alat.** Membawa alat kuasa dengan jari anda pada suis atau mentenagakan alat kuasa dengan suis pada kedudukan hidup mengundang kemalangan.
4. **Alihkan sebarang kunci atau sepana pelaras sebelum menghidupkan alat kuasa.** Sepana atau kunci yang ditinggalkan pada bahagian berputar alat kuasa boleh menyebabkan kecederaan diri.
5. **Jangan lampau jangkau. Jaga pijakan dan keseimbangan yang betul pada setiap masa.** Ini membolehkan kawalan alat kuasa yang lebih baik dalam situasi yang tidak dijangka.

6. **Berpakaian dengan betul. Jangan pakai pakaian yang longgar atau barang kemas. Jauhkan rambut dan pakaian anda dari bahagian yang bergerak.** Pakaian longgar, barang kemas atau rambut yang panjang boleh terperangkap dalam bahagian yang bergerak.
7. **Jika peranti disediakan untuk sambungan kemudahan pengekstrakan dan pengumpulan habuk, pastikan ia disambung dan digunakan dengan betul.** Penggunaan pengumpulan habuk boleh mengurangkan bahaya berkaitan habuk.
8. **Jangan biarkan kebiasaan daripada kekerapan penggunaan alat membuatkan anda berpuas hati dan mengabaikan prinsip keselamatan alat.** Kecuaian boleh menyebabkan kecederaan serius dalam sekelip mata.
9. **Sentiasa pakai kaca mata pelindung untuk melindungi mata anda daripada kecederaan apabila menggunakan alat kuasa. Kaca mata mestilah mematuhi ANSI Z87.1 di AS, EN 166 di Eropah, atau AS/NZS 1336 di Australia/ New Zealand. Di Australia/New Zealand, undang-undang mengarahkan untuk memakai pelindung muka bagi melindungi muka anda, juga.**



Menjadi tanggungjawab majikan untuk menguatkuasa penggunaan peralatan perlindungan keselamatan yang bersesuaian oleh pengendali alat dan oleh orang lain dalam kawasan bekerja semasa.

Penggunaan dan penjagaan alat kuasa

1. **Jangan gunakan alat kuasa dengan kasar. Gunakan alat kuasa yang betul untuk penggunaan anda.** Alat kuasa yang betul akan melakukan tugas dengan lebih baik dan lebih selamat pada kadar mana ia direka cipta.
2. **Jangan gunakan alat kuasa jika suis tidak berfungsi untuk menghidupkan dan mematikannya.** Alat kuasa yang tidak dapat dikawal dengan suis adalah berbahaya dan mesti dibaiki.
3. **Cabut palam dari sumber kuasa dan/atau keluarkan pek bateri, jika boleh ditanggalkan, dari alat kuasa sebelum membuat sebarang pelarasan, menukar aksesori, atau menyimpan alat kuasa.** Langkah-langkah keselamatan pencegahan sedemikian mengurangkan risiko memulakan alat kuasa secara tidak sengaja.

4. **Simpan alat kuasa yang tidak digunakan jauh dari jangkauan kanak-kanak dan jangan biarkan orang yang tidak biasa dengan alat kuasa atau arahan ini untuk mengendalikan alat kuasa.** Alat kuasa adalah berbahaya di tangan pengguna yang tidak terlatih.
5. **Menyelenggara alat kuasa dan aksesori. Periksa salah jajaran atau ikatan pada bahagian yang bergerak, bahagian yang pecah dan apa-apa keadaan lain yang boleh menjejaskan operasi alat kuasa. Jika rosak,baiki alat kuasa sebelum digunakan.** Kebanyakan kemalangan adalah disebabkan oleh alat kuasa yang tidak dijaga dengan baik.
6. **Pastikan alat pemotong tajam dan bersih.** Alat pemotong yang dijaga dengan betul dengan hujung pemotong yang tajam mempunyai kemungkinan yang rendah untuk terikat dan lebih mudah dikendalikan.
7. **Gunakan alat kuasa, aksesori dan alat bit dan sebagainya mengikut arahan ini dengan mengambil kira keadaan kerja dan kerja yang perlu dilakukan.** Penggunaan alat kuasa untuk operasi yang berbeza dari yang dimaksudkan boleh menyebabkan keadaan berbahaya.
8. **Pastikan pemegang dan permukaan pegangan kering, bersih dan bebas dari minyak dan gris.** Pemegang dan permukaan pegangan yang licin tidak membolehkan pengendalian dan kawalan selamat bagi alat dalam situasi yang tidak dijangka.
9. **Apabila menggunakan alat, jangan pakai sarung tangan kerja kain yang mungkin boleh kusut.** Kekusutan sarung tangan kerja kain pada bahagian yang bergerak boleh menyebabkan kecederaan diri.

Servis

1. **Pastikan alat kuasa anda diservis oleh orang yang berkelayakan dengan hanya menggunakan alat ganti yang sama.** Ini akan memastikan keselamatan alat kuasa dapat dikekalkan.
2. **Ikut arahan untuk melincir dan menukar aksesori.**

Amaran keselamatan gergaji jig

1. **Pegang alat kuasa pada permukaan mencengkam tertebat apabila melakukan operasi yang aksesori pemotong mungkin tersentuh wayar tersembunyi atau kordnya sendiri.** Aksesori pemotong yang bersentuh dengan wayar "hidup" boleh menyebabkan bahagian logam terdedah alat kuasa "hidup" dan boleh memberi kejutan elektrik kepada pengendali.
2. **Gunakan pengapit atau cara praktikal lain untuk mengukuhkan dan menyokong bahan kerja pada platform yang stabil.** Memegang bahan kerja dengan tangan anda atau menyandar pada badan menyebabkan ia tidak stabil dan boleh menyebabkan anda hilang kawalan.
3. **Sentiasa gunakan kaca mata atau gogal keselamatan.** Cermin mata atau cermin mata gelap biasa BUKAN cermin mata keselamatan.
4. **Elakkan memotong paku.** Periksa bahan kerja untuk melihat sebarang paku dan buang sebelum pengendalian.
5. **Jangan potong bahan kerja yang terlampau besar.**
6. **Pastikan bilah tidak mengosongkan yang betul yang jauh dari bahan kerja sebelum memotong agar bilah tidak terkena lantai, bangku, dll.**
7. **Pegang alat dengan kukuh.**
8. **Pastikan bilah tidak menyentuh bahan kerja sebelum suis dihidupkan.**
9. **Jauhkan tangan dari bahagian bergerak.**
10. **Jangan tinggalkan alat yang sedang berjalan.** Kendalikan alat hanya apabila dipegang.
11. **Sentiasa matikan suis dan tunggu sehingga bilah berhenti sepenuhnya sebelum mengeluarkan bilah daripada bahan kerja.**
12. **Jangan sentuh bilah atau bahan kerja dengan serta-merta selepas operasi; ia mungkin sangat panas dan boleh melecurkan kulit anda.**
13. **Jangan kendalikan alat tanpa beban tanpa keperluan.**
14. **Sesetengah bahan mengandungi bahan kimia yang mungkin toksik.** Sila berhati-hati untuk mencegah penyedutan habuk dan sentuhan kulit. Ikut data keselamatan pembekal bahan.
15. **Sentiasa gunakan topeng habuk/alat pernafasan yang betul untuk bahan dan aplikasi yang anda sedang kerjakan.**

SIMPAN ARAHAN INI.

⚠️AMARAN: JANGAN biarkan keselesaan atau kebiasaan dengan produk (daripada penggunaan berulang) menggantikan pematuhan ketat terhadap peraturan keselamatan untuk produk yang ditetapkan. SALAH GUNA atau kegagalan mematuhi peraturan-peraturan keselamatan yang dinyatakan dalam manual arahan ini boleh menyebabkan kecederaan diri yang serius.

KETERANGAN FUNGSI

⚠️ PERHATIAN:

- Sentiasa pastikan alat dimatikan dan palamnya dicabut sebelum menyelaras atau menyemak fungsi pada alat.

Tindakan suis

⚠️ PERHATIAN:

- Sebelum memasang alat, sentiasa periksa untuk melihat pemicu suis bergerak dengan betul dan kembali ke posisi "OFF" apabila dilepaskan.
- Suis boleh dikunci dalam kedudukan "ON" untuk memudahkan keselesaan pengendali semasa penggunaan berpanjangan. Berhati-hati semasa mengunci alat dalam kedudukan "ON" dan kekalkan genggamannya yang kukuh pada alat.

- **Rajah1:** 1. Butang kunci 2. Pemicu suis 3. Skru kawalan kelajuan

Untuk memulakan alat, hanya tarik pemicu suis. Kelajuan alat ditingkatkan dengan menambah tekanan pada pemicu suis. Lepaskan pencetus suis untuk berhenti.

Untuk operasi yang berterusan, tarik pemicu suis dan tolak butang kunci dan kemudian lepaskan suis pemicu. Untuk menghentikan alat dari kedudukan dikunci, tarik pemicu suis sepenuhnya, kemudian lepaskannya. Skru kawalan kelajuan disediakan supaya kelajuan alat maksimum dapat dihadkan (boleh ubah). Pusing skru kawalan kelajuan mengikut arah jam untuk kelajuan yang lebih tinggi, dan lawan jam untuk kelajuan yang lebih rendah.

PEMASANGAN

⚠️ PERHATIAN:

- Sentiasa pastikan alat dimatikan dan palamnya dicabut sebelum menjalankan apa-apa kerja pada alat.

Memasang atau mengeluarkan bilah gergaji

⚠️ PERHATIAN:

- Sentiasa bersihkan semua serpihan atau bahan asing yang melekap pada bilah dan/atau pemegang bilah. Kegagalan berbuat demikian boleh menyebabkan bilah yang tidak cukup ketat, mengakibatkan kecederaan peribadi yang serius.
- Jangan sentuh bilah atau bahan kerja dengan serta-merta selepas operasi kerana ia mungkin sangat panas dan boleh menyebabkan kecederaan melecur.
- Sentiasa pastikan bilah kukuh. Mengetatkan bilah yang tidak mencukupi boleh menyebabkan kerosakan bilah atau kecederaan peribadi yang serius.

- **Rajah2:** 1. Bolt kepala soket heksagon 2. Kunci allen

Untuk memasang bilah, longgarkan bolt pada pengapit bilah melawan arah jam dengan kunci allen. Dengan gigi bilah menghadap ke hadapan, masukkan bilah ke dalam pemegang bilah setakat ia boleh dimasukkan. Pastikan bahawa bahagian belakang bilah itu sesuai dengan pengelek. Kemudian ketatkan bolt ikut arah jam dengan kemas untuk mengukuhkan bilah. Untuk mengeluarkan bilah, ikut prosedur pemasangan secara terbalik.

Melaraskan pengelek

- **Rajah3:** 1. Kunci allen 2. Bolt heksagon

- **Rajah4:** 1. Pengelek 2. Bilah gergaji

Longgarkan bolt heksagon di belakang tapak dengan kunci allen. Gerakkan penahan supaya pengelek menyentuh bilah dengan ringan. Kemudian ketatkan bolt heksagon untuk mengukuhkan tapak dan penahan. Walau bagaimanapun, apabila menggunakan bilah yang tidak mempunyai bahagian belakang yang lurus, luncurkan penahan ke belakang supaya pengelek tidak akan menyentuh bilah.

NOTA:

- Sekali sekala melincirkan pengelek.

Penyimpan kunci allen

- **Rajah5:** 1. Kunci allen

Apabila tidak digunakan, kunci allen boleh disimpan dengan mudah.

OPERASI

⚠️ PERHATIAN:

- Pegang alat itu dengan cermat dengan satu tangan pada pemegang utama ketika menggunakan alat. Jika perlu, bahagian depan alat itu boleh disokong oleh tangan yang lain.
- Sentiasa memegang tapak sedatar dengan bahan kerja. Kegagalan berbuat demikian boleh menyebabkan kerosakan bilah, mengakibatkan kecederaan serius.
- Memajukan alat dengan perlahan-lahan apabila pemotongan melengkung atau menatal. Memaksa alat boleh menyebabkan permukaan pemotongan serong dan bilah gergaji rosak.

► Rajah6

Hidupkan alat tanpa bilah membuat sebarang sentuhan dan tunggu sehingga bilah mencapai kelajuan penuh. Kemudian meletakkan tapak yang rata di atas bahan kerja dan perlahan-lahan menggerakkan alat ke hadapan di sepanjang garis pemotongan yang telah ditandakan sebelumnya.

Potongan serong

⚠️ PERHATIAN:

- Sentiasa pastikan alat dimatikan dan palamnya dicabut sebelum mencondongkan tapak.

► Rajah7

Dengan tapak yang condong, anda boleh membuat potongan serong di mana-mana sudut antara 0° dan 45° (kiri atau kanan).

► Rajah8: 1. Kunci allen 2. Bolt heksagon

Longgarkan bolt di bahagian belakang pada tapak dengan kunci allen dan luncurkan tapak ke belakang.

► Rajah9: 1. Bahagian tepi perumah 2. Senggatan

Condongkan tapak sehingga sudut serong yang dikehendaki diperolehi. Bahagian tepi perumah menunjukkan sudut serong oleh senggatan. Kemudian periksa sentuhan antara bahagian tepi belakang bilah dan pengelek. Sekarang ketatkan bolt untuk mengukuhkan tapak.

Potong pengosongan depan

► Rajah10: 1. Kunci allen 2. Bolt heksagon

Longgarkan bolt di bahagian belakang pada tapak dengan kunci allen dan luncurkan tapak ke belakang. Kemudian ketatkan bolt untuk mengukuhkan tapak.

Potong

Potongan boleh dibuat dengan salah satu daripada dua kaedah A atau B.

A) Menggerek lubang permulaan

► Rajah11

Untuk memotong dalaman tanpa memotong masuk ke dalam dari tepi, pra-gerudi lubang dengan 12 mm atau lebih dalam diameter. Masukkan bilah ke dalam lubang ini untuk memulakan pemotongan anda.

B) Pemotongan menjunam

► Rajah12

Anda tidak perlu menggerek lubang permulaan masuk ke dalam pemotong jika dalam jika anda berhati-hati melakukan seperti berikut.

- (1) Condongkan alat di pinggir hadapan tapak dengan bilah diletakkan pada titik hanya di atas permukaan bahan kerja.
- (2) Memberikan tekanan ke alat supaya hadapan tepi tapak tidak akan bergerak apabila anda menghidupkan alat dan menurunkan bahagian belakang alat dengan perlahan-lahan.
- (3) Apabila bilah menembusi bahan kerja, perlahan-lahan menurunkan tapak alat ke permukaan bahan kerja.
- (4) Menyelesaikan pemotongan secara normal.

Kemasan tepi

► Rajah13

Untuk memangkas bahagian tepi atau membuat pelarasan dimensi, gerakkan bilah dengan ringan di sepanjang bahagian tepi pemotongan. Untuk pemotongan yang lebih halus bagi papan lapis atau bahan kerja lain dengan permukaan yang mudah pecah, pita telus boleh digunakan di atas garisan pemotongan anda.

Pemotongan logam

Sentiasa guna bahan pendingin (minyak pemotongan) yang sesuai apabila memotong logam. Gagal berbuat demikian boleh menyebabkan bilah koyak dengan ketara. Bahagian bawah bahan kerja boleh disapu gris dan bukannya bahan pendingin.

PENYELENGGARAAN

PERHATIAN:

- Sentiasa pastikan alat dimatikan dan palamnya dicabut sebelum cuba untuk melakukan pemeriksaan atau penyelenggaraan.
- Jangan gunakan gasolin, benzin, pencair, alkohol atau bahan yang serupa. Ia boleh menyebabkan perubahan warna, bentuk atau keretakan.

Menggantikan berus karbon

► **Rajah14:** 1. Tanda had

Keluarkan dan periksa berus karbon dengan kerap. Gantikan ia apabila ia telah haus sehingga tanda had. Pastikan berus karbon sentiasa bersih dan bebas untuk dimasukkan ke dalam pemegang. Kedua-dua berus karbon harus diganti pada masa yang sama. Gunakan hanya berus karbon yang serupa.

Gunakan pemutar skru untuk mengeluarkan penutup pemegang berus. Keluarkan berus karbon yang telah haus, masukkan berus baharu dan kukuhkan penutup pemegang berus.

► **Rajah15:** 1. Pemutar skru 2. Penutup pemegang berus

Untuk mengekalkan KESELAMATAN dan KEBOLEHPERCAYAAN produk, pembaikan, sebarang penyelenggaraan atau penyesuaian lain perlu dilakukan oleh Kilang atau Pusat Servis Makita yang Diiktiraf, sentiasa gunakan alat ganti Makita.

THÔNG SỐ KỸ THUẬT

Kiểu		M4302
Chiều dài hành trình		26 mm
Công suất cắt tối đa	Gỗ	55 mm
	Thép	6 mm
Số nhất mỗi phút (min ⁻¹)		0 - 3.100
Chiều dài tổng thể		219 mm
Khối lượng tịnh		2,5 kg
Cấp an toàn		□/II

- Do chương trình nghiên cứu và phát triển liên tục của chúng tôi nên các thông số kỹ thuật trong đây có thể thay đổi mà không cần thông báo trước.
- Các thông số kỹ thuật có thể thay đổi tùy theo từng quốc gia.
- Khối lượng tùy theo Quy trình EPTA tháng 01/2014

Ký hiệu

Phần dưới đây cho biết các ký hiệu có thể được dùng cho thiết bị. Đảm bảo rằng bạn hiểu rõ ý nghĩa của các ký hiệu này trước khi sử dụng.



Đọc tài liệu hướng dẫn.



CÁCH ĐIỆN CẤP 2



Chỉ dành cho các quốc gia EU
Không thái bỏ thiết bị điện cùng với các chất thải sinh hoạt! Để tuân thủ Chỉ thị của Châu Âu về thiết bị điện và điện tử thải bỏ, và thi hành những chỉ thị này phù hợp với luật lệ quốc gia, thiết bị điện tử không còn sử dụng được nữa phải được thu nhặt riêng và đưa trở lại một cơ sở tái chế tương thích với môi trường.

Mục đích sử dụng

Dụng cụ được sử dụng để cưa gỗ, nhựa và vật liệu kim loại. Do phụ kiện mở rộng và lập trình lưỡi cưa, có thể sử dụng dụng cụ cho nhiều mục đích và rất phù hợp với việc cắt theo đường tròn hoặc đường cong.

Nguồn cấp điện

Dụng cụ này chỉ được nối với nguồn cấp điện có điện áp giống như đã chỉ ra trên biển tên và chỉ có thể được vận hành trên nguồn điện AC đơn pha. Chúng được cách điện hai lớp và do đó cũng có thể được sử dụng từ các ổ cắm điện không có dây tiếp đất.

Cảnh báo an toàn chung dành cho dụng cụ máy

⚠ CẢNH BÁO: Xin đọc tất cả các cảnh báo an toàn, hướng dẫn, minh họa và thông số kỹ thuật đi kèm với dụng cụ máy này. Việc không tuân theo các hướng dẫn được liệt kê dưới đây có thể dẫn đến điện giật, hỏa hoạn và/hoặc thương tích nghiêm trọng.

Lưu giữ tất cả cảnh báo và hướng dẫn để tham khảo sau này.

Thuật ngữ “dụng cụ máy” trong các cảnh báo đề cập đến dụng cụ máy (có dây) được vận hành bằng nguồn điện chính hoặc dụng cụ máy (không dây) được vận hành bằng pin của bạn.

An toàn tại nơi làm việc

1. **Giữ nơi làm việc sạch sẽ và có đủ ánh sáng.**
Nơi làm việc bừa bộn hoặc tối thường dễ gây ra tai nạn.
2. **Không vận hành dụng cụ máy trong môi trường cháy nổ, ví dụ như môi trường có sự hiện diện của các chất lỏng, khí hoặc bụi dễ cháy.** Các dụng cụ máy tạo tia lửa điện có thể làm bụi hoặc khí bốc cháy.
3. **Giữ trẻ em và người ngoài tránh xa nơi làm việc khi đang vận hành dụng cụ máy.** Sự xao lãng có thể khiến bạn mất khả năng kiểm soát.

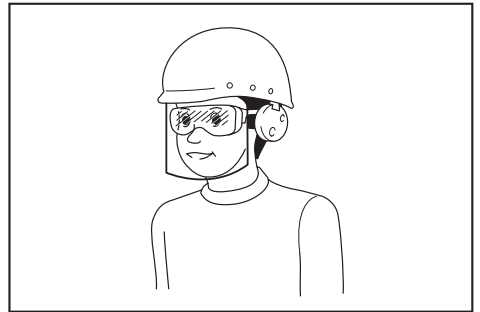
An toàn về Điện

1. **Phích cắm của dụng cụ máy phải khớp với ổ cắm. Không được sửa đổi phích cắm theo bất kỳ cách nào. Không sử dụng bất kỳ phích cắm chuyển đổi nào với các dụng cụ máy được nối đất (tiếp đất).** Các phích cắm còn nguyên vẹn và ổ cắm phù hợp sẽ giảm nguy cơ điện giật.
2. **Tránh để cơ thể tiếp xúc với các bề mặt nóng hoặc tiếp đất như đường ống, bộ tản nhiệt, bếp ga và tủ lạnh.** Nguy cơ bị điện giật sẽ tăng lên nếu cơ thể bạn được nối đất hoặc tiếp đất.

3. **Không để dụng cụ máy tiếp xúc với mưa hoặc trong điều kiện ẩm ướt.** Nước lọt vào dụng cụ máy sẽ làm tăng nguy cơ điện giật.
4. **Không làm dụng cụ dây điện.** Không được phép sử dụng dây để mang, kéo hoặc tháo phích cắm dụng cụ máy. Giữ dây tránh xa nguồn nhiệt, dầu, các mép sắc hoặc các bộ phận chuyển động. Dây bị hỏng hoặc bị rối sẽ làm tăng nguy cơ điện giật.
5. **Khi vận hành dụng cụ máy ngoài trời, hãy sử dụng dây kéo dài phù hợp cho việc sử dụng ngoài trời.** Việc dùng dây phù hợp cho việc sử dụng ngoài trời sẽ giảm nguy cơ điện giật.
6. **Nếu bắt buộc phải vận hành dụng cụ máy ở nơi ẩm ướt, hãy sử dụng nguồn cấp điện được bảo vệ bằng thiết bị ngắt dòng điện rò (RCD).** Việc sử dụng RCD sẽ làm giảm nguy cơ điện giật.
7. **Chúng tôi luôn khuyên bạn sử dụng nguồn cấp điện qua thiết bị RCD có thể ngắt dòng điện rò định mức 30 mA hoặc thấp hơn.**
8. **Các dụng cụ máy có thể tạo ra từ trường điện (EMF) có hại cho người dùng.** Tuy nhiên, người dùng máy trợ tim và những thiết bị y tế tương tự khác nên liên hệ với nhà sản xuất thiết bị và/hoặc bác sỹ để được tư vấn trước khi vận hành dụng cụ này.
9. **Không chạm vào đầu cắm điện bằng tay ướt.**
10. **Nếu dây bị hỏng, hãy nhờ nhà sản xuất hoặc đại lý thay dây mới để tránh nguy hiểm về an toàn.**

An toàn Cá nhân

1. **Luôn tỉnh táo, quan sát những việc bạn đang làm và sử dụng những phán đoán theo kinh nghiệm khi vận hành dụng cụ máy.** Không sử dụng dụng cụ máy khi bạn đang mệt mỏi hoặc chịu ảnh hưởng của ma túy, rượu hay thuốc. Chỉ một khoảnh khắc không tập trung khi đang vận hành dụng cụ máy cũng có thể dẫn đến thương tích cá nhân nghiêm trọng.
2. **Sử dụng thiết bị bảo hộ cá nhân. Luôn đeo thiết bị bảo vệ mắt.** Các thiết bị bảo hộ như mặt nạ chống bụi, giày an toàn chống trượt, mũ bảo hộ hay thiết bị bảo vệ thính giác được sử dụng trong các điều kiện thích hợp sẽ giúp giảm thương tích cá nhân.
3. **Tránh vô tình khởi động dụng cụ máy. Đảm bảo công tắc ở vị trí off (tắt) trước khi nối nguồn điện và/hoặc bộ pin, cắm hoặc di chuyển dụng cụ máy.** Việc di chuyển dụng cụ máy khi đang đặt ngón tay ở vị trí công tắc hoặc cấp điện cho dụng cụ máy đang bật thường dễ gây ra tai nạn.
4. **Tháo tất cả các khóa hoặc cờ lê điều chỉnh trước khi bật dụng cụ máy.** Việc cờ lê hoặc khóa vẫn còn gắn vào bộ phận quay của dụng cụ máy có thể dẫn đến thương tích cá nhân.
5. **Không với quá cao. Luôn giữ thăng bằng tốt và có chỗ để chân phù hợp.** Điều này cho phép điều khiển dụng cụ máy tốt hơn trong những tình huống bất ngờ.
6. **Ăn mặc phù hợp. Không mặc quần áo rộng hay đeo đồ trang sức. Giữ tóc và quần áo tránh xa các bộ phận chuyển động.** Quần áo rộng, đồ trang sức hay tóc dài có thể mắc vào các bộ phận chuyển động.



Trách nhiệm của chủ lao động là bắt buộc người vận hành dụng cụ và những người khác trong khu vực làm việc cạnh đó phải sử dụng các thiết bị bảo hộ an toàn thích hợp.

Sử dụng và bảo quản dụng cụ máy

1. **Không dùng lực đối với dụng cụ máy. Sử dụng đúng dụng cụ máy cho công việc của bạn.** Sử dụng đúng dụng cụ máy sẽ giúp thực hiện công việc tốt hơn và an toàn hơn theo giá trị định mức được thiết kế của dụng cụ máy đó.
2. **Không sử dụng dụng cụ máy nếu công tắc không bật và tắt được dụng cụ máy đó.** Mọi dụng cụ máy không thể điều khiển được bằng công tắc đều rất nguy hiểm và phải được sửa chữa.
3. **Rút phích cắm ra khỏi nguồn điện và/hoặc tháo kết nối bộ pin khỏi dụng cụ máy, nếu có thể tháo rời trước khi thực hiện bất kỳ công việc điều chỉnh, thay đổi phụ tùng hay cất giữ dụng cụ máy nào.** Những biện pháp an toàn phòng ngừa này sẽ giảm nguy cơ vô tình khởi động dụng cụ máy.
4. **Cất giữ các dụng cụ máy không sử dụng ngoài tầm với của trẻ em và không cho bất kỳ người nào không có hiểu biết về dụng cụ máy hoặc các hướng dẫn này vận hành dụng cụ máy.** Dụng cụ máy sẽ rất nguy hiểm nếu được sử dụng bởi những người dùng chưa qua đào tạo.

- Bảo dưỡng dụng cụ máy và các phụ kiện.** Kiểm tra tình trạng lệch trục hoặc bó kẹt của các bộ phận chuyển động, hiện tượng nứt vỡ của các bộ phận và mọi tình trạng khác mà có thể ảnh hưởng đến hoạt động của dụng cụ máy. Nếu có hỏng hóc, hãy sửa chữa dụng cụ máy trước khi sử dụng. Nhiều tai nạn xảy ra là do không bảo quản tốt dụng cụ máy.
- Luôn giữ cho dụng cụ cất được sắc bén và sạch sẽ.** Những dụng cụ cất được bảo quản tốt có mép cắt sắc sẽ ít bị kẹt hơn và dễ điều khiển hơn.
- Sử dụng dụng cụ máy, phụ tùng và đầu dụng cụ cắt, v.v... theo các hướng dẫn này, có tính đến điều kiện làm việc và công việc được thực hiện.** Việc sử dụng dụng cụ máy cho các công việc khác với công việc dự định có thể gây nguy hiểm.
- Giữ tay cầm và bề mặt tay cầm khô, sạch, không dính dầu và mỡ.** Tay cầm trơn trượt và bề mặt tay cầm không cho phép xử lý an toàn và kiểm soát dụng cụ trong các tình huống bất ngờ.
- Khi sử dụng dụng cụ, không được đi giày tay lao động bằng vải, có thể bị vướng.** Việc giày tay lao động bằng vải vướng vào các bộ phận chuyển động có thể gây ra thương tích cá nhân.

Bảo dưỡng

- Đề nghị nhân viên sửa chữa đủ trình độ bảo dưỡng dụng cụ máy của bạn và chỉ sử dụng các bộ phận thay thế đồng nhất.** Việc này sẽ đảm bảo duy trì được độ an toàn của dụng cụ máy.
- Tuân theo hướng dẫn dành cho việc bôi trơn và thay phụ tùng.**

Cảnh báo an toàn dành cho Máy cưa lọng

- Cầm dụng cụ máy bằng bề mặt kẹp cách điện khi thực hiện một thao tác trong đó bộ phận cắt có thể tiếp xúc với dây dẫn kín hoặc dây của chính nó.** Phụ kiện cắt tiếp xúc với dây dẫn "có điện" có thể khiến các bộ phận kim loại bị hở của dụng cụ máy "có điện" và làm cho người vận hành bị điện giật.
- Dùng kẹp hoặc làm theo cách khác để giữ chặt và đỡ phôi gia công trên bề vững chắc.** Giữ phôi gia công bằng tay hoặc tỳ vào cơ thể sẽ làm phôi không chắc chắn và có thể dẫn đến mất kiểm soát.
- Luôn sử dụng kính bảo hộ hoặc kính an toàn. Kính mắt thông thường hoặc kính râm KHÔNG phải là kính an toàn.**
- Tránh cắt đỉnh. Kiểm tra phôi xem có đỉnh không và tháo đỉnh trước khi vận hành.**
- Không cắt phôi có kích thước quá lớn.**
- Kiểm tra khoảng trống phù hợp cách phôi gia công trước khi cắt để lưỡi cưa không cắt vào sàn, bàn gia công, v.v...**
- Cầm chắc dụng cụ.**
- Đảm bảo lưỡi cưa không tiếp xúc với phôi gia công trước khi bật công tắc.**
- Giữ tay tránh xa các bộ phận chuyển động.**
- Không để mặc dụng cụ hoạt động. Chỉ vận hành dụng cụ khi cầm trên tay.**

- Luôn tắt nguồn và đợi lưỡi cưa dừng hẳn trước khi tháo lưỡi cưa ra khỏi phôi gia công.**
- Không chạm vào lưỡi cưa hay phôi gia công ngay sau khi vận hành; chúng có thể cực nóng và có thể gây bỏng da.**
- Không vận hành dụng cụ không tải một cách không cần thiết.**
- Một số vật liệu có thể chứa hóa chất độc hại. Phải cẩn trọng tránh hít phải bụi và để tiếp xúc với da. Tuân theo dữ liệu an toàn của nhà cung cấp vật liệu.**
- Luôn luôn sử dụng đúng mặt nạ chống bụi/khẩu trang đối với loại vật liệu và ứng dụng bạn đang làm việc.**

LƯU GIỮ CÁC HƯỚNG DẪN NÀY.

⚠CẢNH BÁO: KHÔNG vì đã thoải mái hay quen thuộc với sản phẩm (có được do sử dụng nhiều lần) mà không tuân thủ nghiêm ngặt các quy định về an toàn dành cho sản phẩm này. VIỆC DÙNG SAI hoặc không tuân theo các quy định về an toàn được nêu trong tài liệu hướng dẫn này có thể dẫn đến thương tích cá nhân nghiêm trọng.

MÔ TẢ CHỨC NĂNG

⚠THẬN TRỌNG:

- Luôn đảm bảo rằng dụng cụ đã được tắt và rút phích cắm trước khi điều chỉnh hoặc kiểm tra chức năng trên dụng cụ.

Hoạt động công tắc

⚠THẬN TRỌNG:

- Trước khi cầm điện vào dụng cụ, luôn kiểm tra để đảm bảo cần khởi động công tắc hoạt động bình thường và trả về vị trí "TẮT" khi nhả ra.
- Công tắc có thể khóa ở vị trí "BẬT" để người vận hành dễ dàng thuận tiện trong quá trình sử dụng kéo dài. Cần hết sức cẩn trọng khi khóa dụng cụ ở vị trí "BẬT" và phải luôn giữ chặt dụng cụ.

► **Hình1:** 1. Nút khóa 2. Cần khởi động công tắc 3. Vị trí điều khiển tốc độ

Để khởi động dụng cụ, chỉ cần kéo cần khởi động công tắc. Tốc độ dụng cụ được tăng lên bằng cách tăng áp lực lên cần khởi động công tắc. Nhả cần khởi động công tắc ra để dừng.

Để vận hành liên tục, hãy kéo cần khởi động công tắc, nhấn vào nút khóa sau đó nhả cần khởi động công tắc ra.

Để dừng dụng cụ từ vị trí đã khóa, hãy kéo cần khởi động công tắc hết mức, sau đó nhả ra.

Máy có một vít điều khiển tốc độ sao cho tốc độ dụng cụ lớn nhất có thể được giới hạn (biến đổi). Xoay vít điều khiển tốc độ theo chiều kim đồng hồ để có tốc độ cao hơn và ngược chiều kim đồng hồ để có tốc độ thấp hơn.

LẮP RÁP

⚠ THẬN TRỌNG:

- Luôn luôn đảm bảo rằng dụng cụ đã được tắt và tháo phích cắm trước khi dùng dụng cụ thực hiện bất cứ công việc nào.

Lắp đặt hoặc tháo lưới cửa

⚠ THẬN TRỌNG:

- Luôn lau sạch tất cả phoi hoặc ngoại vật bám vào lưới cửa và/hoặc bộ đỡ lưới cửa. Không làm như vậy có thể khiến cho lưới cửa được siết không đủ chặt dẫn đến thương tích cá nhân nghiêm trọng.
- Không chạm vào lưới cửa hay phôi gia công ngay sau khi vận hành vì chúng có thể rất nóng và có thể gây bỏng da.
- Luôn giữ lưới cửa thật chặt. Vận lưới cửa không đủ chặt có thể gây ra hỏng lưới cửa hoặc thương tích cá nhân nghiêm trọng.

► Hình2: 1. Bu-lông đầu lỗ lục giác 2. Cờ lê lục giác

Để lắp lưới cửa, hãy nối lỏng bu-lông ngược chiều kim đồng hồ trên bộ đỡ lưới cửa bằng cờ lê lục giác. Khi rằng lưới cửa hướng về trước, hãy lắp lưới cửa vào bộ đỡ lưới cửa hết mức có thể. Đảm bảo rằng cạnh sau của lưới cửa vừa khít vào trục xoay. Sau đó vận chặt bu-lông theo chiều kim đồng hồ để giữ chặt lưới cửa. Để tháo lưới cửa, hãy làm ngược lại quy trình lắp vào.

Điều chỉnh trục xoay

► Hình3: 1. Cờ lê lục giác 2. Bu-lông lục giác

► Hình4: 1. Trục xoay 2. Lưới cửa

Nới lỏng bu-lông lục giác ở phía sau đế bằng cờ lê lục giác. Di chuyển bộ phận hãm sao cho trục xoay nhẹ nhàng tiếp xúc với lưới cửa. Sau đó vận chặt bu-lông lục giác để giữ phần đế và bộ phận hãm. Tuy nhiên, khi sử dụng lưới cửa không có lưng thẳng, hãy trượt bộ phận hãm ra sau để trục xoay không tiếp xúc với lưới cửa.

LƯU Ý:

- Thành thạo bôi trơn trục xoay.

Cất giữ cờ lê lục giác

► Hình5: 1. Cờ lê lục giác

Khi không sử dụng, cờ lê lục giác có thể được cất giữ thuận tiện.

VẬN HÀNH

⚠ THẬN TRỌNG:

- Cầm chắc dụng cụ bằng một tay trên tay cầm chính khi dùng dụng cụ. Nếu cần thiết, có thể đỡ bộ phận phía trước của dụng cụ bằng tay kia.
- Luôn giữ đế ngang bằng với phôi gia công. Không làm như vậy có thể gây vỡ nứt lưới cửa, dẫn đến thương tích nghiêm trọng.
- Đưa dụng cụ về trước thật chậm khi cắt đường cong hoặc xoay vòng. Ấn mạnh lên dụng cụ có thể làm cho bề mặt cắt bị nghiêng và làm hỏng lưới cửa.

► Hình6

Bật dụng cụ lên mà không để lưới cửa tiếp xúc và đợi đến khi lưới cửa đạt tốc độ tối đa. Sau đó đặt phần đế lên phôi gia công và nhẹ nhàng di chuyển dụng cụ về phía trước dọc theo đường cắt đã đánh dấu trước đó.

Cắt xiên góc

⚠ THẬN TRỌNG:

- Luôn đảm bảo rằng dụng cụ này đã được tắt và rút phích cắm trước khi để nghiêng phần đế.

► Hình7

Với phần đế bị nghiêng, bạn có thể thực hiện cắt xiên góc ở bất kỳ góc nào giữa 0° và 45° (trái hoặc phải).

► Hình8: 1. Cờ lê lục giác 2. Bu-lông lục giác

Nới lỏng bu-lông trên phần lưng của đế bằng cờ lê lục giác và trượt đế về phía sau.

► Hình9: 1. Cạnh cửa vỏ ngoài 2. Vạch chia độ

Nghiêng phần đế cho đến khi đạt được góc xiên mong muốn. Cạnh cửa vỏ ngoài chỉ ra góc xiên nhờ vạch chia độ. Sau đó kiểm tra sự tiếp xúc giữa cạnh sau của lưới cửa và trục xoay. Bây giờ vận chặt bu-lông để cố định phần đế.

Cắt ngang về trước

► Hình10: 1. Cờ lê lục giác 2. Bu-lông lục giác

Nới lỏng bu-lông trên phần lưng của đế bằng cờ lê lục giác và trượt đế hết mức ra sau. Sau đó vận chặt bu-lông để cố định phần đế.

Phần cắt rời

Có thể thực hiện các phần cắt rời bằng cả hai phương pháp A hoặc B.

A) Khoan lỗ khởi đầu

► Hình11

Đối với phần cắt rời bên trong mà không cần cắt dẫn vào từ mép, khoan trước một lỗ khởi đầu có đường kính 12 mm hoặc hơn. Lắp lưỡi cưa vào lỗ này để bắt đầu cắt.

B) Cắt chìm

► Hình12

Bạn không cần khoan lỗ khởi đầu hoặc thực hiện cắt dẫn vào nếu bạn cẩn thận làm như sau.

- (1) Nghiêng dụng cụ lên trên cạnh phía trước của để với điểm lưỡi đặt ở vị trí ngay phía trên bề mặt phi gia công.
- (2) Dùng lực lên dụng cụ sao cho cạnh phía trước của để sẽ không di chuyển khi bạn bật dụng cụ và nhẹ nhàng hạ phần đầu phía sau của dụng cụ xuống.
- (3) Khi lưỡi chọc thủng phi gia công, từ từ hạ để dụng cụ xuống trên bề mặt phi gia công.
- (4) Hoàn tất việc cắt theo cách thông thường.

Cạnh hoàn thiện

► Hình13

Để cắt các cạnh hoặc thực hiện điều chỉnh kích thước, chạy nhẹ lưỡi cưa dọc theo mép cắt.

Để cắt ván ép hoặc phi gia công khác với các bề mặt để bị cắt vụn được trơn tru hơn, có thể sử dụng băng keo trong trên đường cắt của bạn.

Cắt kim loại

Luôn sử dụng chất làm mát phù hợp (dầu làm nguội) khi cắt kim loại. Không làm như vậy sẽ làm lưỡi cưa bị mòn đáng kể. Mặt dưới của phi gia công có thể được bôi trơn thay vì sử dụng chất làm mát.

BẢO TRÌ

⚠ THẬN TRỌNG:

- Luôn bảo đảm rằng dụng cụ được tắt điện và rút phích cắm trước khi thử thực hiện việc kiểm tra hoặc bảo trì.
- Không bao giờ dùng xăng, ét xăng, dung môi, còn hoặc hóa chất tương tự. Có thể xảy ra hiện tượng mất màu, biến dạng hoặc nứt vỡ.

Thay chổi các-bon

► Hình14: 1. Vạch giới hạn

Hãy tháo và kiểm tra chổi các-bon thường xuyên. Thay thế khi chổi đã mòn đến vạch giới hạn. Giữ chổi các-bon sạch và có thể trượt dễ dàng vào chỗ giữ chổi. Cả hai chổi các-bon phải được thay thế cùng một lúc. Chỉ sử dụng chổi các-bon giống nhau. Hãy sử dụng tuốc-nơ-vít để tháo nắp giữ chổi. Tháo chổi các-bon đã bị mòn ra, lắp chổi mới vào và vặn chặt nắp giữ chổi.

► Hình15: 1. Tuốc-nơ-vít 2. Nắp giữ chổi

Để duy trì sự AN TOÀN và TIN CẬY của sản phẩm, việc sửa chữa, bất kỳ thao tác bảo dưỡng hoặc điều chỉnh nào đều phải được thực hiện bởi các Trung tâm Dịch vụ Được Ủy quyền của Makita, luôn sử dụng các phụ tùng thay thế của Makita.




ข้อมูลจำเพาะ

รุ่น		M4302
ความยาวของระยะชัก		26 mm
ความสามารถในการตัดสูงสุด	ไม้	55 mm
	เหล็กกล้า	6 mm
อัตราการขึ้นลง (min ⁻¹)		0 - 3,100
ความยาวโดยรวม		219 mm
น้ำหนักสุทธิ		2.5 kg
มาตรฐานความปลอดภัย		☐/II

- เนื่องจากการค้นคว้าวิจัยและพัฒนาอย่างต่อเนื่อง ข้อมูลจำเพาะในเอกสารฉบับนี้อาจเปลี่ยนแปลงได้โดยไม่ต้องแจ้งให้ทราบล่วงหน้า
- ข้อมูลจำเพาะอาจแตกต่างกันไปในแต่ละประเทศ
- น้ำหนักตามข้อบังคับของ EPTA 01/2014

สัญลักษณ์

ต่อไปนี้เป็นสัญลักษณ์ที่อาจใช้สำหรับอุปกรณ์ โปรดศึกษาความหมายของสัญลักษณ์ให้เข้าใจก่อนการใช้งาน

	อ่านคู่มือการใช้งาน
	ฉนวนสองชั้น
	สำหรับประเทศในสหภาพยุโรปเท่านั้น ห้ามทิ้งอุปกรณ์ไฟฟ้ารวมกับขยะครัวเรือนทั่วไป เพื่อให้เป็นไปตามกฎระเบียบของยุโรปเกี่ยวกับขยะจำพวกอุปกรณ์ไฟฟ้าและอิเล็กทรอนิกส์ และการปฏิบัติตามกฎหมายในประเทศ ต้องเก็บอุปกรณ์ไฟฟ้าทั้งหมดอายุการใช้งานแล้วแยกต่างหาก และส่งกลับไปยังศูนย์รีไซเคิลที่เป็นมิตรต่อสิ่งแวดล้อม

จุดประสงค์การใช้งาน

เครื่องมือนี้ใช้สำหรับเลื่อยไม้ พลาสติก และวัสดุโลหะ ด้วยอุปกรณ์เสริมและโปรแกรมใบเลื่อยที่หลากหลาย เครื่องมือนี้สามารถใช้งานได้หลากหลายวัตถุประสงค์และเหมาะสำหรับการตัดโค้งหรือตัดวงกลมอย่างง่าย

แหล่งจ่ายไฟ

ควรเชื่อมต่อเครื่องมือกับแหล่งจ่ายไฟที่มีแรงดันไฟฟ้าตามที่ระบุไว้ในป้ายข้อมูลของเครื่องมือ และจะต้องใช้ไฟฟ้ากระแสสลับแบบเฟสเดียวเท่านั้น อุปกรณ์นี้ได้รับการหุ้มฉนวนสองชั้นและสามารถใช้กับปลั๊กไฟที่ไม่มีสายดินได้

คำเตือนด้านความปลอดภัยของเครื่องมือไฟฟ้าทั่วไป

คำเตือน: โปรดอ่านคำเตือนด้านความปลอดภัย คำแนะนำ ภาพประกอบ และข้อมูลจำเพาะต่างๆ ที่ให้มา กับเครื่องมือไฟฟ้านี้อย่างละเอียด การไม่ปฏิบัติตามคำแนะนำดังต่อไปนี้ อาจส่งผลให้เกิดไฟฟ้าช็อต ไฟไหม้ และ/หรือได้รับบาดเจ็บอย่างร้ายแรงได้

เก็บรักษาคำเตือนและคำแนะนำทั้งหมดไว้เป็นข้อมูลอ้างอิงในอนาคต

คำว่า “เครื่องมือไฟฟ้า” ในคำเตือนนี้หมายถึงเครื่องมือไฟฟ้า (มีสาย) ที่ทำงานโดยใช้กระแสไฟฟ้าหรือเครื่องมือไฟฟ้า (ไร้สาย) ที่ทำงานโดยใช้แบตเตอรี่

ความปลอดภัยของพื้นที่ทำงาน

1. ดูแลพื้นที่ทำงานให้มีความสะอาดและมีแสงไฟสว่าง พื้นที่กระเบื้องหรือมีดที่บอบอาจนำไปสู่การเกิดอุบัติเหตุได้
2. อย่าใช้งานเครื่องมือไฟฟ้าในสภาพที่อาจเกิดการระเบิด เช่น ในสถานที่ที่มีของเหลว ก๊าซ หรือฝุ่นที่มีคุณสมบัติไวไฟ เครื่องมือไฟฟ้าอาจสร้างประกายไฟและจุดชนวนฝุ่นผงหรือก๊าซดังกล่าว
3. ดูแลไม่ให้มีเด็ก หรือบุคคลอื่นอยู่ในบริเวณที่กำลังใช้เครื่องมือไฟฟ้า การมีสิ่งรบกวนสมาธิอาจทำให้คุณสูญเสียการควบคุม

ความปลอดภัยด้านไฟฟ้า

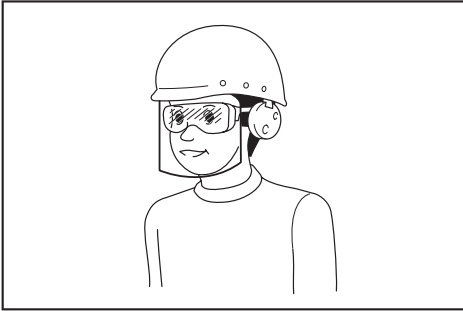
1. ปลั๊กของเครื่องมือไฟฟ้าต้องพอดีกับตัวรับ อย่าดัดแปลงปลั๊กไม่ว่ากรณีใดๆ อย่าใช้ปลั๊กอะแดปเตอร์กับเครื่องมือไฟฟ้าที่ต่อสายดิน ปลั๊กที่ไม่ถูกดัดแปลงและตัวรับที่เข้ากันพอดีจะช่วยลดความเสี่ยงของการเกิดไฟฟ้าช็อต
2. ระวังอย่าให้ร่างกายสัมผัสกับพื้นผิวที่ต่อสายดิน เช่น ท่อ เครื่องนำความร้อน เต้าหุงต้ม และตู้เย็น มีความเสี่ยงที่จะเกิดไฟฟ้ช็อตสูงขึ้น หากร่างกายของคุณสัมผัสกับพื้น
3. อย่าให้เครื่องมือไฟฟ้าถูกน้ำหรืออยู่ในสภาพเปียกชื้น น้ำที่ไหลเข้าไปในเครื่องมือไฟฟ้าจะเพิ่มความเสี่ยงของการเกิดไฟฟ้าช็อต
4. อย่าใช้สายไฟอย่างไม่เหมาะสม อย่าใช้สายไฟเพื่อยก ดึง หรือถอดปลั๊กเครื่องมือไฟฟ้า เก็บสายไฟให้ห่างจากความร้อน น้ำมัน ขอมมีคม หรือชิ้นส่วนที่เคลื่อนที่ สายที่ชำรุดหรือพันกันจะเพิ่มความเสี่ยงของการเกิดไฟฟ้าช็อต
5. ขณะที่ใช้งานเครื่องมือไฟฟ้านอกอาคาร ควรใช้สายต่อพ่วงที่เหมาะสมกับงานภายนอกอาคาร การใช้สายที่เหมาะสมกับงานภายนอกอาคารจะลดความเสี่ยงของการเกิดไฟฟ้าช็อต
6. หากต้องใช้งานเครื่องมือไฟฟ้าในสถานที่เปียกชื้น ให้ใช้อุปกรณ์ป้องกันกระแสไฟรั่ว (RCD) การใช้ RCD จะลดความเสี่ยงของการเกิดไฟฟ้าช็อต
7. แนะนำให้ใช้แหล่งจ่ายไฟผ่าน RCD ที่มีกระแสไฟรั่วในอัตราไม่เกิน 30 mA เสมอ
8. เครื่องมือไฟฟ้าอาจสร้างสนามแม่เหล็ก (EMF) ที่ไม่เป็นอันตรายต่อผู้ใช้ อย่างไรก็ตาม ผู้ใช้ที่ใส่เครื่องกระตุ้นหัวใจและอุปกรณ์ทางการแพทย์ที่คล้ายกันนี้ควรติดต่อผู้ผลิตอุปกรณ์และ/หรือแพทย์เพื่อรับคำแนะนำก่อนใช้งานเครื่องมือไฟฟ้านี้
9. อย่าจับปลั๊กไฟด้วยมือที่เปียก

10. หากสายไฟชำรุด โปรดให้ผู้ผลิตหรือตัวแทนของผู้ผลิตเปลี่ยนให้ เพื่อหลีกเลี่ยงอันตราย

ความปลอดภัยส่วนบุคคล

1. ให้ระมัดระวังและมีสติอยู่เสมอขณะใช้งานเครื่องมือไฟฟ้า อย่าใช้งานเครื่องมือไฟฟ้าในขณะที่คุณกำลังเหนื่อย หรือในสภาพที่มึนเมาจากยาเสพติด เครื่องดื่ม แอลกอฮอล์ หรือการกินยา ช่วงเวลาที่ขาดความระมัดระวังเมื่อกำลังใช้งานเครื่องมือไฟฟ้าอาจทำให้ได้รับบาดเจ็บร้ายแรง
2. ใช้อุปกรณ์ป้องกันส่วนบุคคล สวมแว่นตาป้องกันแสงม อุปกรณ์ป้องกัน เช่น หน้ากากกันฝุ่น รองเท้านิรภัย กันลื่น หมวกนิรภัย หรือเครื่องป้องกันการได้ยินที่ใช้ในสภาพที่เหมาะสมจะช่วยลดการบาดเจ็บ
3. ป้องกันไม่ให้เกิดการเปิดใช้งานโดยไม่ตั้งใจ ตรวจสอบให้แน่ใจว่าสวิตช์ปิดอยู่ก่อนที่จะเชื่อมต่อกับแหล่งจ่ายไฟ และ/หรือชุดแบตเตอรี่ รวมทั้งตรวจสอบก่อนการยกหรือเคลื่อนย้ายเครื่องมือ การสอดนิ้วมือบริเวณสวิตช์เพื่อถือเครื่องมือไฟฟ้า หรือการชาร์จไฟเครื่องมือไฟฟ้าในขณะที่เปิดสวิตช์อาจนำไปสู่การเกิดอุบัติเหตุ
4. นำคู่มือฉบับปรับปรุงหรือประกาศออกก่อนที่จะเปิดเครื่องมือไฟฟ้า ประแหรือคู่มือแจ้งที่เสียบคางอยู่ในชั้นส่วนที่หมุนได้ของเครื่องมือไฟฟ้าอาจทำให้ได้รับบาดเจ็บ
5. อย่าทำงานในระยะที่สุดเอื้อม จัดทำการยึนและการทรงตัวให้เหมาะสมตลอดเวลา เพราะจะทำให้ควบคุมเครื่องมือไฟฟ้าได้ดีขึ้นในสถานการณ์ที่ไม่คาดคิด
6. แต่งกายให้เหมาะสม อย่าสวมเครื่องแต่งกายที่หลวมเกินไป หรือสวมเครื่องประดับ ดูแลไม่ให้เส้นผมและเสื้อผ้าอยู่ใกล้ชิ้นส่วนที่เคลื่อนที่ เสื้อผ้ารุ่มร่าม เครื่องประดับ หรือผมที่มีความยาวอาจเข้าไปติดในชิ้นส่วนที่เคลื่อนที่
7. หากมีการจัดอุปกรณ์สำหรับดูดและจับฝุ่นไว้ในสถานที่ ให้ตรวจสอบว่าได้เชื่อมต่อและใช้งานอุปกรณ์นั้นอย่างเหมาะสม การใช้เครื่องดูดและจับฝุ่นจะช่วยลดอันตรายที่เกิดจากฝุ่นผงได้
8. อย่าให้ความคุ้นเคยจากการใช้งานเครื่องมือเป็นประจำทำให้คุณทำตามตามสบายและละเลยหลักการเพื่อความปลอดภัยในการใช้เครื่องมือ การกระทำที่ไม่ระมัดระวังอาจทำให้เกิดการบาดเจ็บร้ายแรงภายในเสี้ยววินาที

- สวมใส่แว่นครอบตานิรภัยเพื่อปกป้องดวงตาของคุณจากการบาดเจ็บเมื่อใช้เครื่องมือไฟฟ้า แว่นครอบตาจะต้องได้มาตรฐาน ANSI Z87.1 ในสหรัฐอเมริกา, EN 166 ในยุโรป หรือ AS/NZS 1336 ในออสเตรเลีย/นิวซีแลนด์ ในออสเตรเลีย/นิวซีแลนด์ จะต้องสวมเกราะป้องกันใบหน้าเพื่อปกป้องใบหน้าของคุณอย่างถูกต้องตามกฎหมายด้วย



ผู้ว่าจ้างมีหน้าที่รับผิดชอบในการบังคับผู้ใช้งานเครื่องมือและบุคคลอื่นๆ ที่อยู่ในบริเวณที่ปฏิบัติงานให้ใช้อุปกรณ์ป้องกันที่เหมาะสม

การใช้และดูแลเครื่องมือไฟฟ้า

- อย่าฝืนใช้เครื่องมือไฟฟ้า ใช้เครื่องมือไฟฟ้าที่เหมาะสมกับการใช้งานของคุณ เครื่องมือไฟฟ้าที่เหมาะสมจะทำให้ได้งานที่มีประสิทธิภาพและปลอดภัยกว่าตามขีดความสามารถของเครื่องที่ได้รับการออกแบบมา
- อย่าใช้เครื่องมือไฟฟ้า หากสวิตช์ไม่สามารถเปิดปิดได้ เครื่องมือไฟฟ้าที่ควบคุมด้วยสวิตช์ไม่ได้เป็นสิ่งอันตรายและต้องได้รับการซ่อมแซม
- ถอดปลั๊กจากแหล่งจ่ายไฟ และ/หรือชุดแบตเตอรี่ออกจากเครื่องมือไฟฟ้าก่อนทำการปรับตั้ง เปลี่ยนอุปกรณ์เสริม หรือจัดเก็บเครื่องมือไฟฟ้า วิธีการป้องกันด้านความปลอดภัยดังกล่าวจะช่วยลดความเสี่ยงในการเปิดใช้งานเครื่องมือไฟฟ้าโดยไม่ได้ตั้งใจ
- จัดเก็บเครื่องมือไฟฟ้าที่ไม่ได้ใช้งานให้ห่างจากมือเด็ก และอย่าอนุญาตให้บุคคลที่ไม่คุ้นเคยกับเครื่องมือไฟฟ้าหรือคำแนะนำเหล่านี้ใช้งานเครื่องมือไฟฟ้า เครื่องมือไฟฟ้าจะเป็นอันตรายเมื่ออยู่ในมือของผู้ที่ไม่ได้รับการฝึกอบรม

- บำรุงรักษาเครื่องมือไฟฟ้าและอุปกรณ์เสริม ตรวจสอบการประกอบที่ไม้ถูกต้องหรือการเชื่อมต่อของชิ้นส่วนที่เคลื่อนที่ การแตกหักของชิ้นส่วน หรือสภาพอื่นๆ ที่อาจส่งผลกระทบต่อการทำงานของเครื่องมือไฟฟ้า หากมีความเสียหาย ให้นำเครื่องมือไฟฟ้าไปซ่อมแซมก่อนการใช้งาน อุบัติเหตุจำนวนมากเกิดจากการดูแลรักษาเครื่องมือไฟฟ้าอย่างไม่ถูกต้อง
- ทำความสะอาดเครื่องมือตัดและลับให้คมอยู่เสมอ เครื่องมือการตัดที่มีการดูแลอย่างถูกต้องและมีขอบการตัดคมมักจะมีความปลอดภัยน้อยกว่า
- ใช้เครื่องมือไฟฟ้า อุปกรณ์เสริม และวัสดุสิ้นเปลือง ฯลฯ ตามคำแนะนำดังกล่าว พิจารณาสภาพการทำงานและงานที่จะลงมือทำ การใช้เครื่องมือไฟฟ้าเพื่อทำงานอื่นนอกเหนือจากที่กำหนดไว้อาจทำให้เกิดอันตราย
- ดูเล็มมือจับและบริเวณมือจับให้แห้ง สะอาด และไม่มีน้ำมันและจาระบีเปื้อน มือจับและบริเวณมือจับที่ชื้นจะทำให้ไม่สามารถจับและควบคุมเครื่องมือได้อย่างปลอดภัยในสถานการณ์ที่ไม่คาดคิด
- ขณะใช้งานเครื่องมือ อย่างสวมใส่ถุงมือผ้าที่อาจเข้าไปติดในเครื่องมือได้ หากถุงมือผ้าเข้าไปติดในชิ้นส่วนที่กำลังเคลื่อนที่อาจทำให้ได้รับบาดเจ็บ

การซ่อมบำรุง

- นำเครื่องมือไฟฟ้าเข้ารับบริการจากช่างซ่อมที่ผ่านการรับรองโดยใช้อะไหล่แบบเดียวกันเท่านั้น เพราะจะทำให้การใช้เครื่องมือไฟฟ้ามีความปลอดภัย
- ปฏิบัติตามคำแนะนำในการหล่อลื่นและการเปลี่ยนอุปกรณ์เสริม

คำเตือนด้านความปลอดภัยของเลื่อยฉลุ

- ถือเครื่องมือบริเวณมือจับที่เป็นฉนวน ขณะทำงานที่เครื่องมือตัดอาจสัมผัสกับสายไฟที่ซ่อนอยู่หรือสายไฟของเครื่องเอง เครื่องมือตัดที่สัมผัสกับสายไฟที่ “มีกระแสไฟฟ้าไหลผ่าน” อาจทำให้ส่วนที่เป็นโลหะของเครื่องมือไฟฟ้าที่ไม่ฉนวนหนุ่ม “มีกระแสไฟฟ้าไหลผ่าน” และทำให้ผู้ปฏิบัติงานถูกไฟฟ้าช็อตได้
- ใช้ปากกาจับหรือวิธีการปฏิบัติอื่นๆ เพื่อยึดและรองรับชิ้นงานไว้บนพื้นที่ที่มั่นคง การใช้มือจับชิ้นงานหรือยึดชิ้นงานไว้กับร่างกายจะทำให้เกิดความไม่มั่นคงและสูญเสียการควบคุมได้
- สวมแว่นตานิรภัยหรือแว่นครอบตาเสมอ แว่นตานิรภัยหรือแว่นกันแดดไม่ใช่แว่นนิรภัย

4. หลีกเลี่ยงการตัดตะปู ตรวจสอบตะปูในชิ้นงานและถอนตะปูออกก่อนทำงาน
5. อย่าตัดชิ้นงานที่มีขนาดใหญ่เกินไป
6. ตรวจสอบสิ่งที่อยู่โดยรอบชิ้นงานก่อนการตัดเพื่อป้องกันไม่ให้ใบเลื่อยโดนพื้น โต๊ะ ฯลฯ
7. จับเครื่องมือให้แน่น
8. ตรวจสอบให้แน่ใจว่าไม่มีดุนั้นไม่ได้สัมผัสกับชิ้นงานก่อนที่จะเปิดสวิตช์
9. ระวังอย่าให้มีสัมผัสกับชิ้นส่วนที่เคลื่อนที่
10. อย่าปล่อยให้เครื่องมือทำงานค้างไว้ ใช้งานเครื่องมือในขณะที่ถืออยู่เท่านั้น
11. ปิดสวิตช์และรอจนกว่าใบเลื่อยหยุดนิ่งสนิทก่อนที่จะเอาใบเลื่อยออกจากชิ้นงาน
12. ห้ามสัมผัสกับใบเลื่อยหรือชิ้นงานทันทีที่ทำงานเสร็จเนื่องจากดอกไขควงหรือชิ้นงานอาจมีความร้อนสูงและลวกผิวหนังของคุณได้
13. อย่าใช้เครื่องมือโดยเปิดเครื่องทิ้งไว้เฉยๆ โดยไม่จำเป็น
14. วัสดุบางอย่างอาจมีสารเคมีที่เป็นพิษ ระวังอย่าสูดดมฝุ่นหรือสัมผัสกับผิวหนัง ปฏิบัติตามข้อมูลด้านความปลอดภัยของผู้ผลิวัสดุ
15. ใช้หน้ากากกันฝุ่น/แว่นพิเศษที่เหมาะสมกับวัสดุและการใช้งานที่คุณกำลังทำงานเสมอ

ปฏิบัติตามคำแนะนำเหล่านี้

คำเตือน: อย่าให้ความไม่ระมัดระวังหรือความคุ้นเคยกับผลิตภัณฑ์ (จากการใช้งานซ้ำหลายครั้ง) อยู่เหนือการปฏิบัติตามกฎเกณฑ์ด้านความปลอดภัยในการใช้งาน ผลิตภัณฑ์อย่างเคร่งครัด การใช้งานอย่างไม่เหมาะสมหรือการไม่ปฏิบัติตามกฎเกณฑ์ด้านความปลอดภัยในคู่มือการใช้งานนี้อาจทำให้ได้รับบาดเจ็บร้ายแรง

คำอธิบายการทำงาน

ข้อควรระวัง:

- ตรวจสอบให้แน่ใจเสมอว่าปิดสวิตช์เครื่องมือและถอดปลั๊กออกแล้วก่อนทำการปรับหรือตรวจสอบการทำงานบนเครื่องมือ

การทำงานของสวิตช์

ข้อควรระวัง:

- ก่อนเสียบปลั๊กเครื่องมือ ให้ตรวจสอบทุกครั้งว่าสวิตช์สั่งงานสามารถทำงานได้อย่างถูกต้อง และกลับไปยังตำแหน่ง "ปิด" เมื่อปล่อย
- สามารถล็อกสวิตช์ไว้ที่ตำแหน่ง "เปิด" ได้เพื่อให้ผู้ใช้สะดวกในการใช้งานต่อเนื่องเป็นเวลานาน ใช้ความระมัดระวังเมื่อล็อกเครื่องมือในตำแหน่ง "เปิด" และจับเครื่องมือให้แน่น

- **หมายเลข 1:** 1. ปุ่มล็อก 2. สวิตช์สั่งงาน 3. สกรูควบคุมความเร็ว

การเริ่มใช้งานเครื่องมือ เพียงแค่กดสวิตช์สั่งงาน ความเร็วเครื่องมือจะเพิ่มขึ้นเมื่อออกแรงกดที่สวิตช์สั่งงาน ปล่อยสวิตช์สั่งงานเพื่อหยุดการทำงาน สำหรับการงานต่อเนื่อง ให้กดสวิตช์สั่งงาน กดปุ่มล็อกแล้วจึงปล่อยสวิตช์สั่งงาน สำหรับการหยุดเครื่องมือจากตำแหน่งล็อก ให้กดปุ่มล็อกจนสุดแล้วปล่อยออก

สกรูควบคุมความเร็วมีจุดประสงค์เพื่อให้ผู้ใช้สามารถควบคุมความเร็วเครื่องมือได้ (เปลี่ยนแปลงได้) การหมุนสกรูควบคุมความเร็วตามเข็มนาฬิกาจะเป็นการทำให้ความเร็วสูงขึ้น การหมุนสกรูควบคุมความเร็วทวนเข็มนาฬิกาจะทำให้ความเร็วต่ำลง

การประกอบ

⚠️ ข้อควรระวัง:

- ตรวจสอบให้แน่ใจเสมอว่าปิดสวิตช์เครื่องมือและถอดปลั๊กออกแล้วก่อนดำเนินการใดๆ กับเครื่องมือ

การติดตั้งหรือการถอดใบเลื่อย

⚠️ ข้อควรระวัง:

- ทำความสะอาดเศษชิ้นส่วนหรือสิ่งแปลกปลอมที่ติดอยู่กับใบเลื่อยและ/หรือที่ยึดใบมีดเสมอ มิฉะนั้นอาจทำให้ชิ้นใบเลื่อยไม่แน่นพอ ซึ่งส่งผลให้เกิดการบาดเจ็บร้ายแรงได้
- อย่าสัมผัสกับใบเลื่อยหรือชิ้นงานทันทีหลังจากการใช้งาน เนื่องจากอาจมีความร้อนสูงและอาจลวกผิวหนังคุณได้
- ยึดใบเลื่อยให้แน่นอยู่เสมอ การขันใบเลื่อยไม่แน่นพออาจส่งผลให้ใบเลื่อยแตกหักหรือเกิดการบาดเจ็บร้ายแรงได้

- ▶ **หมายเลข 2:** 1. สลักเกลียวหัวบ็อกซ์หกเหลี่ยม
2. ประแจหกเหลี่ยม

เมื่อต้องการติดตั้งใบเลื่อย ให้คลายสลักเกลียวบนตัวหนีบใบเลื่อยแบบทวนเข็มนาฬิกาด้วยประแจหกเหลี่ยม หันพื้นเลื่อยไปด้านหน้า แล้วใส่ใบเลื่อยเข้าไปในที่ที่ยึดใบเลื่อยจนสุด ตรวจสอบให้แน่ใจว่าขอบด้านหลังของใบเลื่อยยึดเข้ากับรอกพอดี แล้วขันสลักเกลียวตามเข็มนาฬิกาให้แน่นเพื่อยึดใบมีด

เมื่อต้องการถอดใบเลื่อย ให้ปฏิบัติย้อนขั้นตอนการติดตั้ง

การปรับรอก

- ▶ **หมายเลข 3:** 1. ประแจหกเหลี่ยม 2. สลักเกลียวหกเหลี่ยม

- ▶ **หมายเลข 4:** 1. รอก 2. ใบเลื่อย

คลายสลักเกลียวหกเหลี่ยมด้านหลังฐานด้วยประแจหกเหลี่ยม ขยับตัวยึดเพื่อให้ออกสัมผัสกับใบเลื่อยเบาๆ แล้วขันสลักเกลียวหกเหลี่ยมเพื่อยึดฐานและตัวยึด อย่างไรก็ตาม เมื่อใช้ใบเลื่อยที่หลังไม่ตรง ให้เลื่อนตัวยึดถอยไปเพื่อให้รอกไม่สัมผัสกับใบเลื่อย

หมายเหตุ:

- หล่อลื่นรอกเป็นครั้งคราว

การเก็บประแจหกเหลี่ยม

- ▶ **หมายเลข 5:** 1. ประแจหกเหลี่ยม

เมื่อไม่ใช้งาน ประแจหกเหลี่ยมสามารถเก็บได้อย่างสะดวกสบาย

การใช้งาน

⚠️ ข้อควรระวัง:

- ใช้มือข้างหนึ่งถือเครื่องมือให้แน่นที่มือจับขณะใช้งานเครื่องมือ หากจำเป็น สามารถเอามืออีกข้างหนึ่งรองรับส่วนหน้าของเครื่องมือได้
- ยึดให้ฐานเป็นระนาบเดียวกับชิ้นงานเสมอ มิฉะนั้นอาจทำให้ใบเลื่อยแตกหัก ซึ่งส่งผลให้เกิดการบาดเจ็บร้ายแรงได้
- ดันเครื่องมือไปข้างหน้าอย่างช้าๆ ขณะตัดโค้งหรือม้วน การฝืนเครื่องมืออาจทำให้พื้นผิวการตัดเฉไปและทำให้ใบเลื่อยแตกหักได้

- ▶ **หมายเลข 6**

เปิดเครื่องมือโดยไม่ให้ใบเลื่อยสัมผัสกับชิ้นงานแล้วรอให้ใบเลื่อยทำความเร็วสูงสุด แล้วจึงวางส่วนบนของฐานลงบนชิ้นงานและขยับเครื่องมือไปข้างหน้าอย่างเบาๆ ตามแนวการตัดที่เครื่องมือหมายไว้ก่อนหน้า

การตัดมุมเฉียง

⚠️ ข้อควรระวัง:

- ตรวจสอบให้แน่ใจว่าได้ปิดเครื่องมือและถอดปลั๊กก่อนที่จะเอียงฐานประกอบ

- ▶ **หมายเลข 7**

เมื่อเอียงฐานแล้ว คุณสามารถทำการตัดมุมเฉียงในองศาใดก็ได้ระหว่าง 0° ถึง 45° (ซ้ายหรือขวา)

- ▶ **หมายเลข 8:** 1. ประแจหกเหลี่ยม 2. สลักเกลียวหกเหลี่ยม

คลายสลักเกลียวด้านหลังฐานด้วยประแจหกเหลี่ยมและเลื่อนฐานไปด้านหลัง

- ▶ **หมายเลข 9:** 1. ขอบของกรอบ 2. เลขบอกระดับ

เอียงฐานจนได้มุมเฉียงที่ต้องการ ขอบของกรอบระบุมุมเอียงไว้ด้วยเลขบอกระดับ จากนั้น ให้ตรวจสอบการสัมผัสระหว่างขอบด้านหลังของใบเลื่อยและรอก ขันสลักเกลียวให้แน่นเพื่อยึดฐาน

การตัดระนาบด้านหน้า

- **หมายเลข 10:** 1. ประแจหกเหลี่ยม 2. สลักเกลียวหกเหลี่ยม

คลายสลักเกลียวด้านหลังฐานด้วยประแจหกเหลี่ยมและเลื่อนฐานไปด้านหลังจนสุด แล้วขันสลักเกลียวให้แน่นเพื่อยึดฐาน

การตัด

การตัดสามารถทำได้ด้วยวิธีใดวิธีหนึ่งในสองวิธีนี้ คือ A หรือ B

A) การเจาะรูนำ

- **หมายเลข 11**

สำหรับการตัดภายในโดยไม่มี การตัด นำมาจากขอบ ให้เจาะรูนำขนาดเส้นผ่านศูนย์กลาง 12 mm ขึ้นไปไว้ล่วงหน้า ใส่ใบเลื่อยเข้าไปในรูนี้เพื่อเริ่มตัด

B) การจ้วงตัด

- **หมายเลข 12**

คุณไม่จำเป็นต้องเจาะรูนำหรือทำการตัดนำหากคุณปฏิบัติตามต่อไปนี้อย่างระมัดระวัง

- (1) เอียงเครื่องมือขึ้นบนขอบด้านหน้าของฐานโดยให้จุดของใบเลื่อยอยู่เหนือพื้นผิวของชิ้นงาน
- (2) ใช้แรงกดลงบนเครื่องมือเพื่อให้ขอบด้านหน้าของฐานไม่ขยับเมื่อคุณเปิดเครื่องมือ และกดปลายด้านหลังของเครื่องมือลงอย่างเบาๆ และช้าๆ
- (3) เมื่อใบเลื่อยเจาะเข้าไปในชิ้นงาน ให้กดฐานเครื่องมือลงบนพื้นผิวชิ้นงาน
- (4) ตัดให้เสร็จตามปกติ

การขัดขอบ

- **หมายเลข 13**

หากต้องการตัดแต่งขอบหรือทำการปรับขนาด ให้ใช้ใบเลื่อยตามแนวตัดเบาๆ เพื่อการตัดไม้ัดหรือชิ้นงานอื่นๆ ที่มีพื้นผิวที่แตกเป็นชิ้นเล็กชิ้นน้อยได้ง่าย อาจใช้เทปใสติดบนแนวการตัดของคุณ

การตัดโลหะ

ใช้สารหล่อเย็น (น้ำมันตัดกลึง) ที่เหมาะสมเมื่อตัดโลหะเสมอ ไม่เช่นนั้นอาจทำให้ใบเลื่อยสึกหรออย่างรุนแรงได้ ด้านล่างชิ้นงานสามารถทาสีอะครีได้แทนการใช้สียาหล่อลื่น

การบำรุงรักษา

⚠️ ข้อควรระวัง:

- ตรวจสอบให้แน่ใจเสมอว่าปิดสวิตช์เครื่องมือและถอดปลั๊กออกแล้วก่อนพยายามดำเนินการตรวจสอบหรือบำรุงรักษา
- ห้ามใช้แก๊สโซลีน เบนซิน ทินเนอร์ แอลกอฮอล์ หรือสิ่งอื่นที่คล้ายกันนี้ เนื่องจากอาจทำให้สีซีดจางเสียหาย หรือแตกร้าวได้

การเปลี่ยนแปลงคาร์บอน

- **หมายเลข 14:** 1. ซีตจำกัด

ถอดแปรงคาร์บอนออกมาตรวจสอบเป็นประจำ เปลี่ยนใหม่เมื่อสึกหรอจนถึงเครื่องหมายขีดจำกัด ดูแลแปรงคาร์บอนให้สะอาดและไม่ลื่นหลุดออกจากที่ยึด ควรเปลี่ยนแปลงคาร์บอนทั้งสองอันพร้อมกัน ใช้แปรงคาร์บอนแบบเดียวกันเท่านั้น

ใช้ไขควงเพื่อถอดฝาปิดที่ยึดแปรงออก นำแปรงคาร์บอนที่สึกหรอออกมา ใส่แปรงคาร์บอนใหม่เข้าไป และปิดฝาปิดที่ยึดแปรงให้แน่น

- **หมายเลข 15:** 1. ไขควง 2. ฝาปิดที่ยึดแปรง

เพื่อความปลอดภัยและความน่าเชื่อถือของผลิตภัณฑ์ ควรให้ศูนย์บริการที่ได้รับการรับรองจาก Makita เป็นผู้ดำเนินการซ่อมแซม บำรุงรักษา และทำการปรับตั้งอื่นๆ นอกจากนี้ให้ใช้อะไหล่ของแท้จาก Makita เสมอ

Makita Corporation
3-11-8, Sumiyoshi-cho,
Anjo, Aichi 446-8502 Japan
www.makita.com

885589C374
EN, ZHCN, ID, MS,
VI, TH
20200713