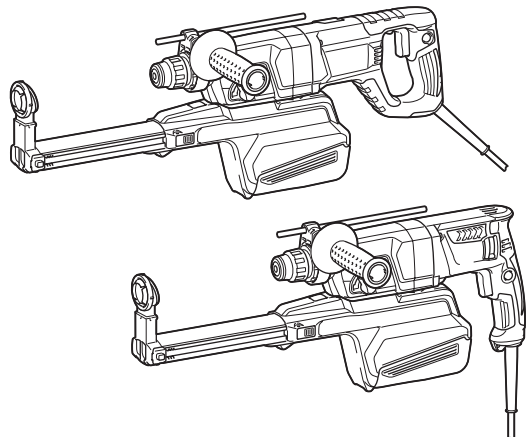
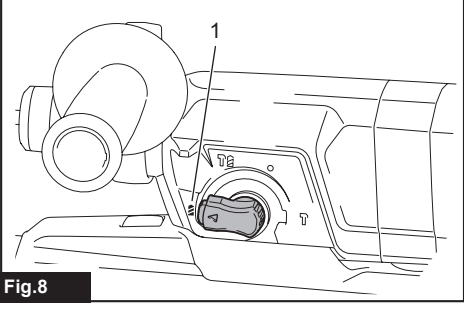
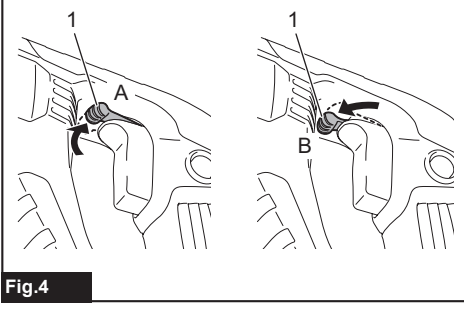
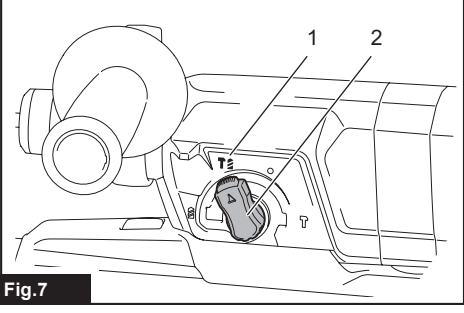
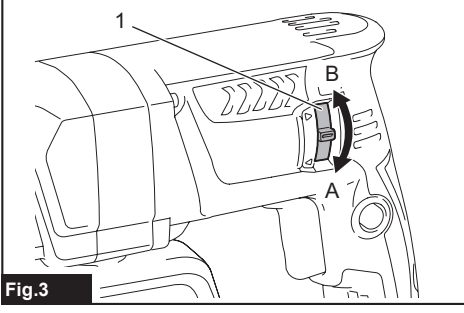
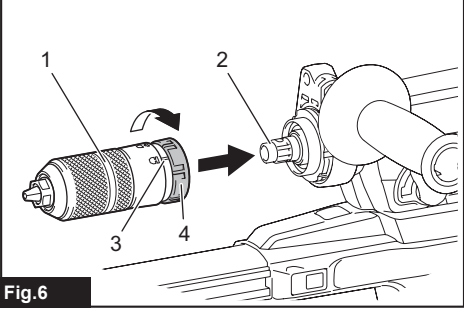
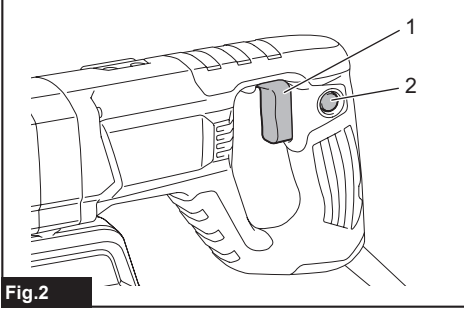
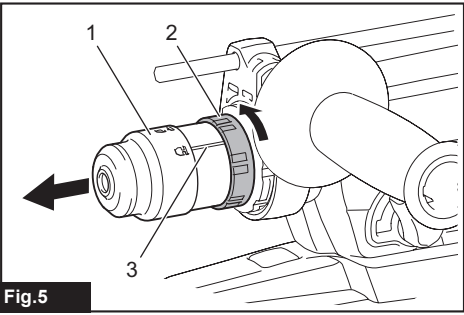
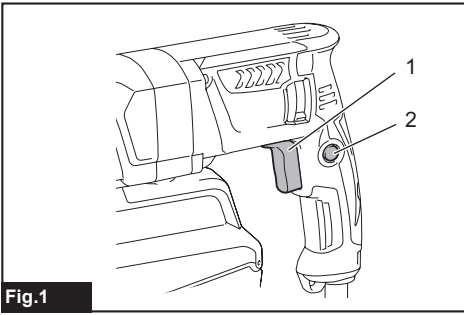




EN	Combination Hammer with Self Dust Collection	INSTRUCTION MANUAL	7
ZHCN	集尘电锤	使用说明书	14
ID	Bor Getar Kombinasi dengan Pengumpul Debu Otomatis	PETUNJUK PENGGUNAAN	22
VI	Máy Khoan Đa Năng Cầm Tay Kết Hợp Lọc Bụi Hoạt Động Bằng Động Cơ Điện	TÀI LIỆU HƯỚNG DẪN	30
TH	สว่านเจาะกระแทกพร้อมที่ดักฝุ่นในตัว	คู่มือการใช้งาน	38

HR2650
HR2651
HR2651T
HR2661





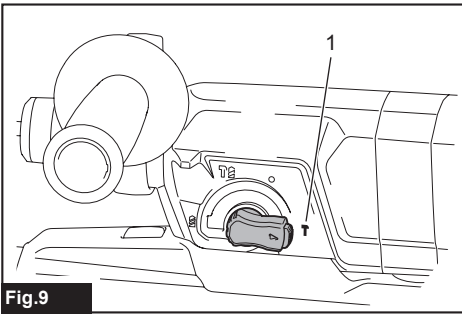


Fig.9

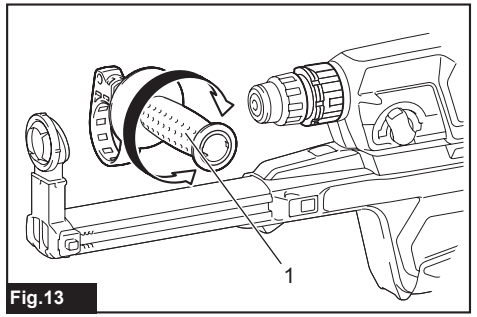


Fig.13

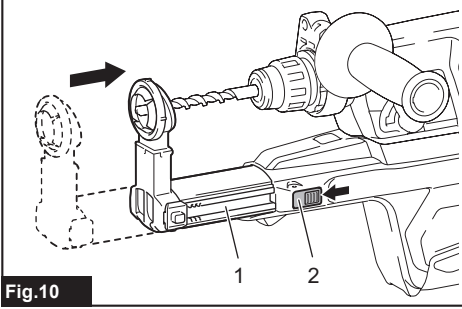


Fig.10

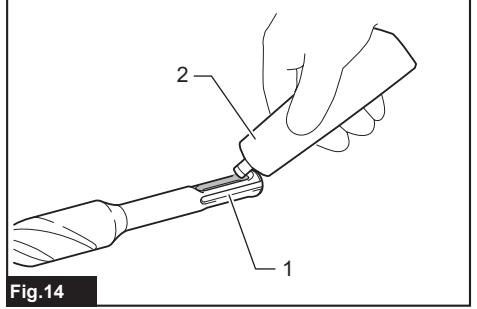


Fig.14

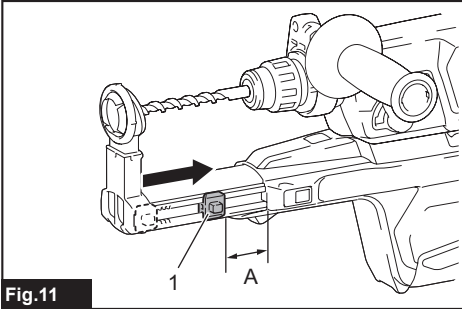


Fig.11

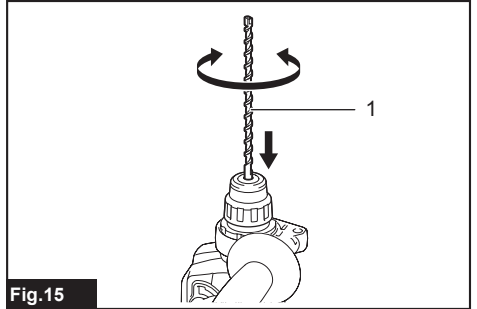


Fig.15

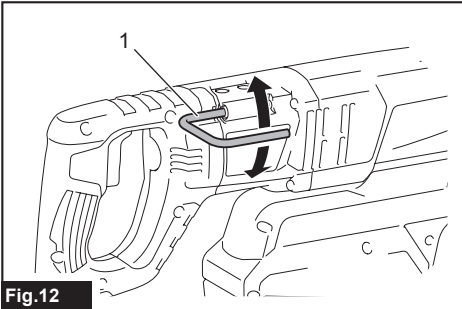


Fig.12

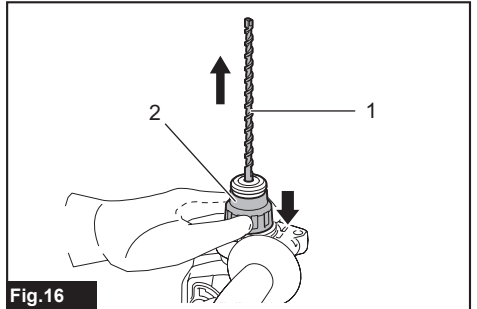
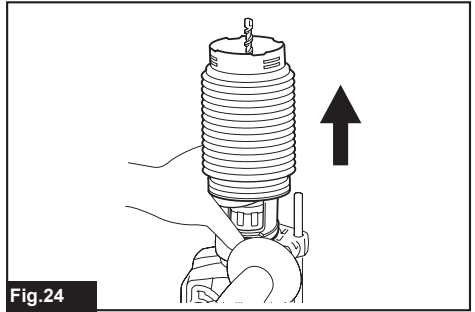
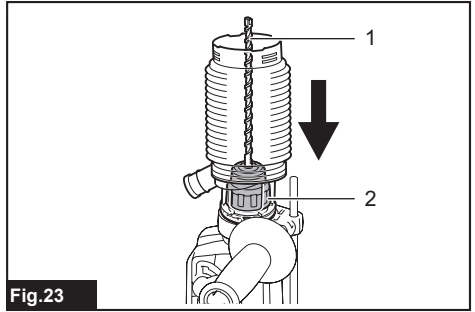
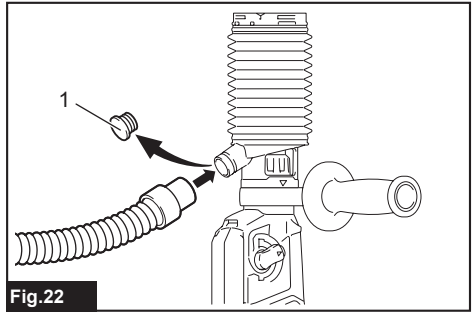
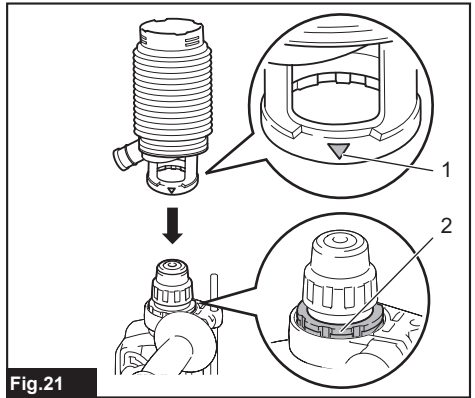
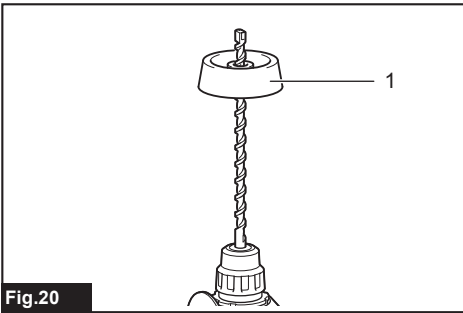
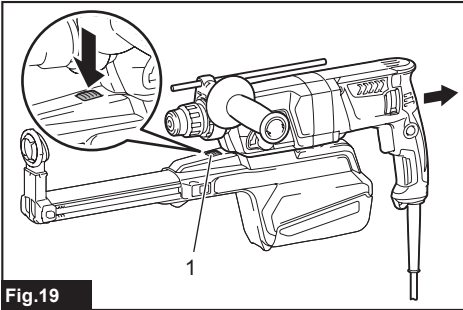
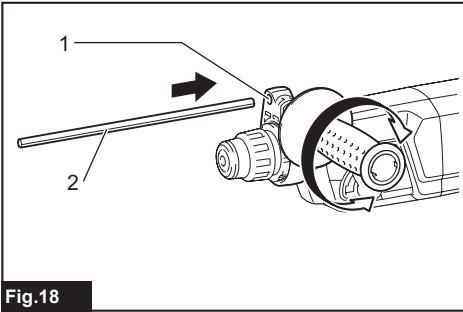
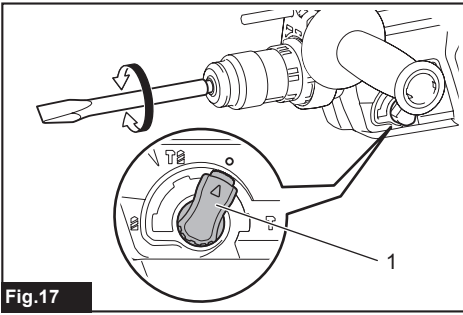


Fig.16



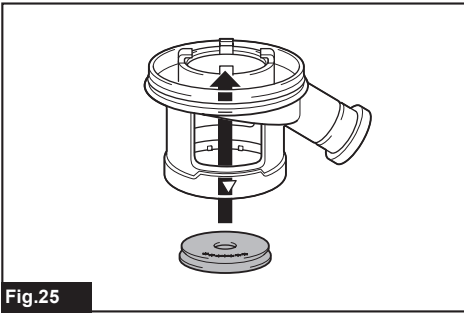


Fig.25

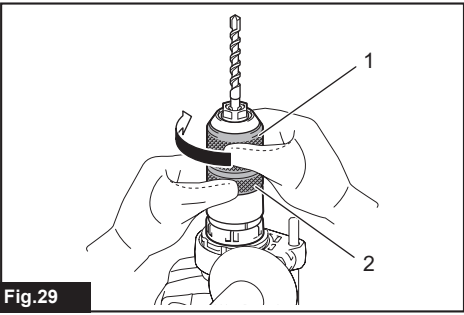


Fig.29

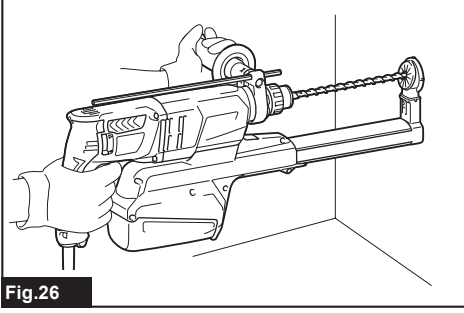


Fig.26

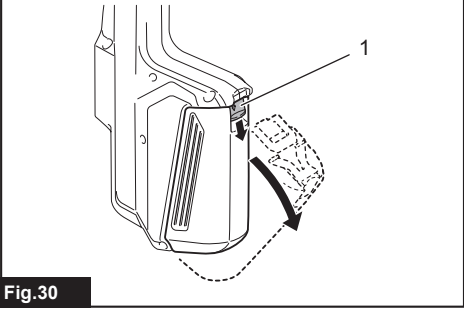


Fig.30

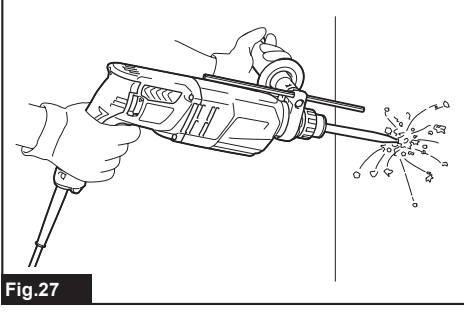


Fig.27

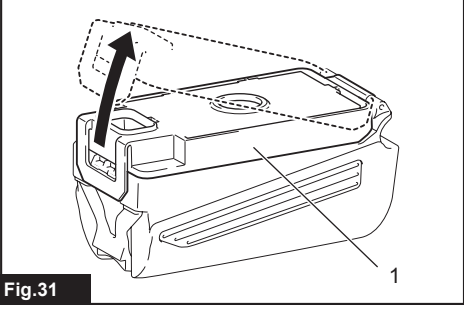


Fig.31

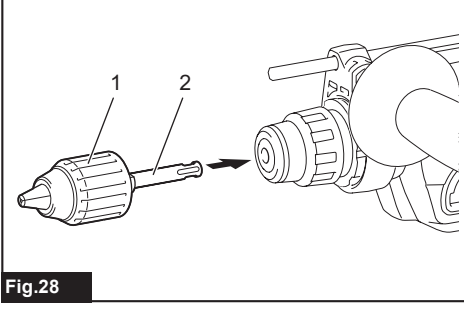


Fig.28

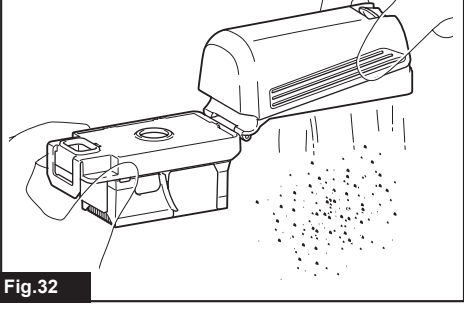


Fig.32

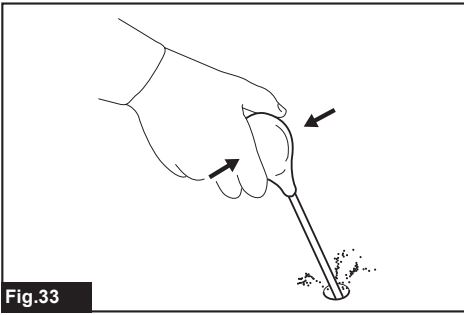


Fig.33

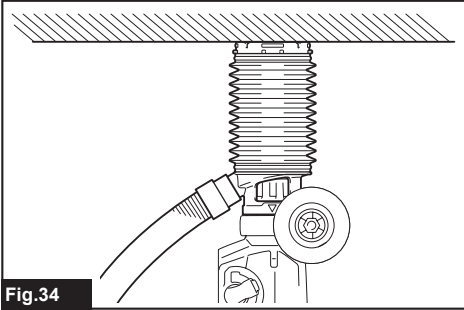


Fig.34

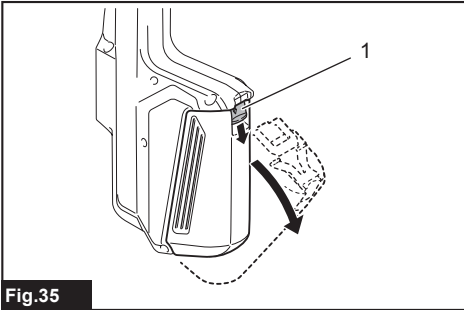


Fig.35

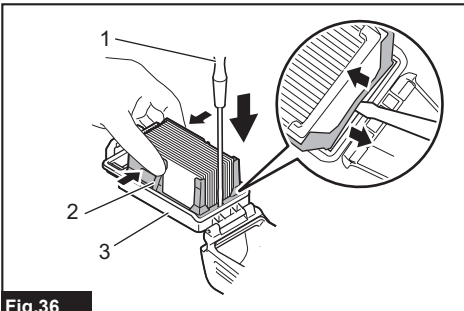


Fig.36

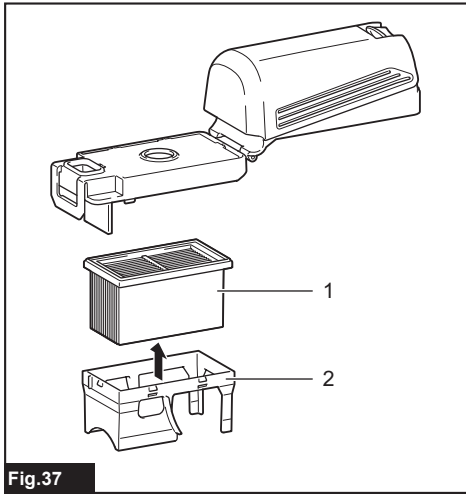


Fig.37

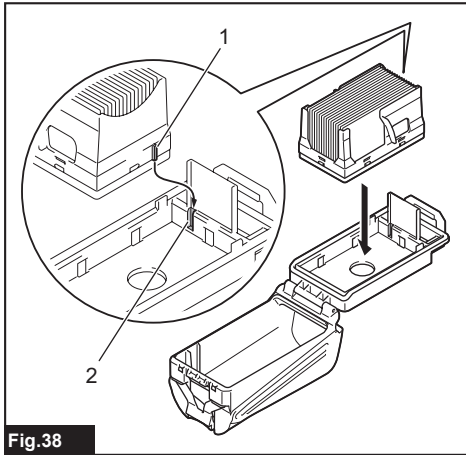


Fig.38

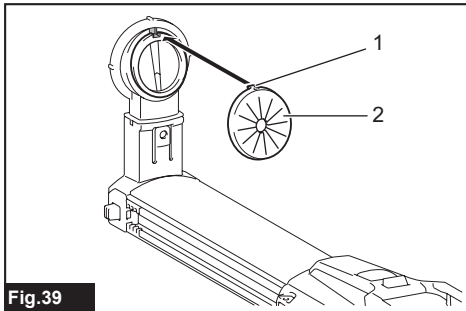


Fig.39

SPECIFICATIONS

Model:		HR2650	HR2651	HR2651T	HR2661
Capacities	Concrete	26 mm			
	Core bit	68 mm			
	Diamond core bit (dry type)	80 mm			
	Steel	13 mm			
	Wood	32 mm			
No load speed		0 - 1,200 min ⁻¹			0 - 1,100 min ⁻¹
Blows per minute		0 - 4,600 min ⁻¹			0 - 4,500 min ⁻¹
Overall length		604 mm		630 mm	666 mm
Net weight		3.0 - 4.1 kg	3.1 - 4.2 kg	3.2 - 4.4 kg	3.3 - 4.4 kg
Safety class		□/II			

- Due to our continuing program of research and development, the specifications herein are subject to change without notice.
- Specifications may differ from country to country.
- The weight may differ depending on the attachment(s). The lightest and heaviest combination, according to EPTA-Procedure 01/2014, are shown in the table.

Symbols

The followings show the symbols which may be used for the equipment. Be sure that you understand their meaning before use.



Read instruction manual.



DOUBLE INSULATION



Only for EU countries
Due to the presence of hazardous components in the equipment, used electrical and electronic equipment may have a negative impact on the environment and human health.

Do not dispose of electrical and electronic appliances with household waste!
In accordance with the European Directive on waste electrical and electronic equipment and its adaptation to national law, used electrical and electronic equipment should be collected separately and delivered to a separate collection point for municipal waste, operating in accordance with the environmental protection regulations.

This is indicated by the symbol of the crossed-out wheeled bin placed on the equipment.

Intended use

The tool is intended for hammer drilling and drilling in brick, concrete and stone.

It is also suitable for drilling without impact in wood, metal, ceramic and plastic.

Power supply

The tool should be connected only to a power supply of the same voltage as indicated on the nameplate, and can only be operated on single-phase AC supply. They are double-insulated and can, therefore, also be used from sockets without earth wire.

SAFETY WARNINGS

General power tool safety warnings

⚠ WARNING: Read all safety warnings and all instructions. Failure to follow the warnings and instructions may result in electric shock, fire and/or serious injury.

Save all warnings and instructions for future reference.

The term "power tool" in the warnings refers to your mains-operated (corded) power tool or battery-operated (cordless) power tool.

Work area safety

1. **Keep work area clean and well lit.** Cluttered or dark areas invite accidents.
2. **Do not operate power tools in explosive atmospheres, such as in the presence of flammable liquids, gases or dust.** Power tools create sparks which may ignite the dust or fumes.
3. **Keep children and bystanders away while operating a power tool.** Distractions can cause you to lose control.

Electrical Safety

1. **Power tool plugs must match the outlet. Never modify the plug in any way. Do not use any adapter plugs with earthed (grounded) power tools.** Unmodified plugs and matching outlets will reduce risk of electric shock.
2. **Avoid body contact with earthed or grounded surfaces, such as pipes, radiators, ranges and refrigerators.** There is an increased risk of electric shock if your body is earthed or grounded.
3. **Do not expose power tools to rain or wet conditions.** Water entering a power tool will increase the risk of electric shock.
4. **Do not abuse the cord. Never use the cord for carrying, pulling or unplugging the power tool. Keep cord away from heat, oil, sharp edges or moving parts.** Damaged or entangled cords increase the risk of electric shock.
5. **When operating a power tool outdoors, use an extension cord suitable for outdoor use.** Use of a cord suitable for outdoor use reduces the risk of electric shock.
6. **If operating a power tool in a damp location is unavoidable, use a residual current device (RCD) protected supply.** Use of an RCD reduces the risk of electric shock.
7. **Use of power supply via an RCD with a rated residual current of 30 mA or less is always recommended.**

Personal Safety

1. **Stay alert, watch what you are doing and use common sense when operating a power tool. Do not use a power tool while you are tired or under the influence of drugs, alcohol or medication.** A moment of inattention while operating power tools may result in serious personal injury.
2. **Use personal protective equipment. Always wear eye protection.** Protective equipment such as a dust mask, non-skid safety shoes, hard hat or hearing protection used for appropriate conditions will reduce personal injuries.
3. **Prevent unintentional starting. Ensure the switch is in the off-position before connecting to power source and/or battery pack, picking up or carrying the tool.** Carrying power tools with your finger on the switch or energising power tools that have the switch on invites accidents.
4. **Remove any adjusting key or wrench before turning the power tool on.** A wrench or a key left attached to a rotating part of the power tool may result in personal injury.
5. **Do not overreach. Keep proper footing and balance at all times.** This enables better control of the power tool in unexpected situations.
6. **Dress properly. Do not wear loose clothing or jewellery. Keep your hair, clothing, and gloves away from moving parts.** Loose clothes, jewellery or long hair can be caught in moving parts.
7. **If devices are provided for the connection of dust extraction and collection facilities, ensure these are connected and properly used.** Use of dust collection can reduce dust-related hazards.

Power tool use and care

1. **Do not force the power tool. Use the correct power tool for your application.** The correct power tool will do the job better and safer at the rate for which it was designed.
2. **Do not use the power tool if the switch does not turn it on and off.** Any power tool that cannot be controlled with the switch is dangerous and must be repaired.
3. **Disconnect the plug from the power source and/or the battery pack from the power tool before making any adjustments, changing accessories, or storing power tools.** Such preventive safety measures reduce the risk of starting the power tool accidentally.
4. **Store idle power tools out of the reach of children and do not allow persons unfamiliar with the power tool or these instructions to operate the power tool.** Power tools are dangerous in the hands of untrained users.
5. **Maintain power tools. Check for misalignment or binding of moving parts, breakage of parts and any other condition that may affect the power tool's operation. If damaged, have the power tool repaired before use.** Many accidents are caused by poorly maintained power tools.
6. **Keep cutting tools sharp and clean.** Properly maintained cutting tools with sharp cutting edges are less likely to bind and are easier to control.
7. **Use the power tool, accessories and tool bits etc. in accordance with these instructions, taking into account the working conditions and the work to be performed.** Use of the power tool for operations different from those intended could result in a hazardous situation.

Service

1. **Have your power tool serviced by a qualified repair person using only identical replacement parts.** This will ensure that the safety of the power tool is maintained.
2. **Follow instruction for lubricating and changing accessories.**
3. **Keep handles dry, clean and free from oil and grease.**

ROTARY HAMMER SAFETY WARNINGS

1. **Wear ear protectors.** Exposure to noise can cause hearing loss.
2. **Use auxiliary handle(s), if supplied with the tool.** Loss of control can cause personal injury.
3. **Hold power tool by insulated gripping surfaces, when performing an operation where the cutting accessory may contact hidden wiring or its own cord.** Cutting accessory contacting a "live" wire may make exposed metal parts of the power tool "live" and could give the operator an electric shock.
4. **Wear a hard hat (safety helmet), safety glasses and/or face shield. Ordinary eye or sun glasses are NOT safety glasses. It is also highly recommended that you wear a dust mask and thickly padded gloves.**

5. Be sure the bit is secured in place before operation.
6. Under normal operation, the tool is designed to produce vibration. The screws can come loose easily, causing a breakdown or accident. Check tightness of screws carefully before operation.
7. In cold weather or when the tool has not been used for a long time, let the tool warm up for a while by operating it under no load. This will loosen up the lubrication. Without proper warm-up, hammering operation is difficult.
8. Always be sure you have a firm footing. Be sure no one is below when using the tool in high locations.
9. Hold the tool firmly with both hands.
10. Keep hands away from moving parts.
11. Do not leave the tool running. Operate the tool only when hand-held.
12. Do not point the tool at any one in the area when operating. The bit could fly out and injure someone seriously.
13. Do not touch the bit, parts close to the bit, or workpiece immediately after operation; they may be extremely hot and could burn your skin.
14. Some material contains chemicals which may be toxic. Take caution to prevent dust inhalation and skin contact. Follow material supplier safety data.
15. Do not touch the power plug with wet hands.

SAVE THESE INSTRUCTIONS.

⚠ WARNING: DO NOT let comfort or familiarity with product (gained from repeated use) replace strict adherence to safety rules for the subject product. MISUSE or failure to follow the safety rules stated in this instruction manual may cause serious personal injury.

FUNCTIONAL DESCRIPTION

⚠ CAUTION: Always be sure that the tool is switched off and unplugged before adjusting or checking function on the tool.

Switch action

⚠ CAUTION: Before plugging in the tool, always check to see that the switch trigger actuates properly and returns to the "OFF" position when released.

⚠ CAUTION: Switch can be locked in "ON" position for ease of operator comfort during extended use. Apply caution when locking tool in "ON" position and maintain firm grasp on tool.

► Fig.1: 1. Switch trigger 2. Lock button

► Fig.2: 1. Switch trigger 2. Lock button

To start the tool, simply pull the switch trigger. Tool speed is increased by increasing pressure on the switch trigger. Release the switch trigger to stop.

For continuous operation, pull the switch trigger, push in the lock button and then release the switch trigger. To stop the tool from the locked position, pull the switch trigger fully, then release it.

Reversing switch action

⚠ CAUTION: Always check the direction of rotation before operation.

NOTICE: Use the reversing switch only after the tool comes to a complete stop. Changing the direction of rotation before the tool stops may damage the tool.

NOTICE: If the switch trigger cannot be depressed, check to see that the reversing switch is fully set to position ◁ / ▷ (A side) or ▷ / ▷ (B side).

For HR2650/HR2651/HR2651T

This tool has a reversing switch to change the direction of rotation. Move the reversing switch lever to the position ◁ (A side) for clockwise rotation or to the position ▷ (B side) for counterclockwise rotation.

► Fig.3: 1. Reversing switch lever

For HR2661

This tool has a reversing switch to change the direction of rotation. Move the reversing switch lever to the ▷ position (A side) for clockwise rotation or the ▷ position (B side) for counterclockwise rotation.

► Fig.4: 1. Reversing switch lever

NOTE: When you operate the tool in counterclockwise rotation, the switch trigger is pulled only halfway and the tool runs at half speed. For counterclockwise rotation, you cannot push in the lock button.



Changing the quick change chuck for SDS-plus

For HR2651T

The quick change chuck for SDS-plus can be easily exchanged for the quick change drill chuck.




Removing the quick change chuck for SDS-plus

⚠ CAUTION: Before removing the quick change chuck for SDS-plus, be sure to remove the bit.

Grasp the change cover of the quick change chuck for SDS-plus and turn in the direction of the arrow until the change cover line moves from the  symbol to the  symbol. Pull forcefully in the direction of the arrow.

► Fig.5: 1. Quick change chuck for SDS-plus
2. Change cover 3. Change cover line

Installing the quick change drill chuck

Check the line of the quick change drill chuck shows the  symbol. Grasp the change cover of the quick change drill chuck and set the line to the  symbol. Place the quick change drill chuck on the spindle of the tool. Grasp the change cover of the quick change drill chuck and turn the change cover line to the  symbol until a click can clearly be heard.


- **Fig.6:** 1. Quick change drill chuck 2. Spindle
3. Change cover line 4. Change cover

Selecting the action mode

NOTICE: Do not rotate the action mode changing knob when the tool is running. The tool will be damaged.


NOTICE: To avoid rapid wear on the mode change mechanism, be sure that the action mode changing knob is always positively located in one of the three action mode positions.

Rotation with hammering

For drilling in concrete, masonry, etc., rotate the action mode changing knob to the  symbol. Use a tungsten-carbide tipped bit (optional accessory).


- **Fig.7:** 1. Rotation with hammering 2. Action mode changing knob

Rotation only

For drilling in wood, metal or plastic materials, rotate the action mode changing knob to the  symbol. Use a twist drill bit or wood drill bit.

- **Fig.8:** 1. Rotation only

Hammering only

For chipping, scaling or demolition operations, rotate the action mode changing knob to the  symbol. Use a ball point, cold chisel, scaling chisel, etc.

- **Fig.9:** 1. Hammering only

Adjusting the nozzle position

Push in the guide while pressing the guide adjustment button, and then release the button at the desired position.

- **Fig.10:** 1. Guide 2. Guide adjustment button

NOTE: Before adjusting the nozzle position, release the nozzle forward completely by pressing the guide adjustment button.

Adjusting the drilling depth

Slide the depth adjustment button to the desired position while pressing it. The distance (A) is the drilling depth.

- **Fig.11:** 1. Depth adjustment button

Torque limiter

NOTICE: As soon as the torque limiter actuates, switch off the tool immediately. This will help prevent premature wear of the tool.

NOTICE: Drill bits such as hole saw, which tend to pinch or catch easily in the hole, are not appropriate for this tool. This is because they will cause the torque limiter to actuate too frequently.

The torque limiter will actuate when a certain torque level is reached. The motor will disengage from the output shaft. When this happens, the drill bit will stop turning.

Hook

CAUTION: Never hook the tool at high location or on potentially unstable surface.

For HR2661

- **Fig.12:** 1. Hook

The hook is convenient for temporarily hanging the tool. To use the hook, simply lift up hook until it snaps into the open position. When not in use, always lower hook until it snaps into the closed position.

ASSEMBLY

CAUTION: Always be sure that the tool is switched off and unplugged before carrying out any work on the tool.

Side grip (auxiliary handle)

CAUTION: Always use the side grip to ensure safe operation.

CAUTION: After installing or adjusting the side grip, make sure that the side grip is firmly secured.

Install the side grip so that the grooves on the grip fit in the protrusions on the tool barrel. Turn the grip clockwise to secure it. The grip can be fixed at desired angle.

- **Fig.13:** 1. Side grip

Grease

Coat the shank end of the drill bit beforehand with a small amount of grease (about 0.5 - 1 g). This chuck lubrication assures smooth action and longer service life.

Installing or removing drill bit

Clean the shank end of the drill bit and apply grease before installing the drill bit.

► **Fig.14:** 1. Shank end 2. Grease

Insert the drill bit into the tool. Turn the drill bit and push it in until it engages.

After installing the drill bit, always make sure that the drill bit is securely held in place by trying to pull it out.

► **Fig.15:** 1. Drill bit

To remove the drill bit, pull the chuck cover down all the way and pull the drill bit out.

► **Fig.16:** 1. Drill bit 2. Chuck cover

Chisel angle (when chipping, scaling or demolishing)

The chisel can be secured at the desired angle. To change the chisel angle, rotate the action mode changing knob to the O symbol. Turn the chisel to the desired angle.

► **Fig.17:** 1. Action mode changing knob

Rotate the action mode changing knob to the Υ symbol. Then make sure that the chisel is securely held in place by turning it slightly.

Depth gauge

The depth gauge is convenient for drilling holes of uniform depth. Loosen the side grip and insert the depth gauge into the hole on the side grip. Adjust the depth gauge to the desired depth and tighten the side grip firmly.

► **Fig.18:** 1. Hole 2. Depth gauge

NOTE: Make sure that the depth gauge does not touch the main body of the tool when attaching it.

Installing or removing dust collection system

To remove the dust collection system, pull the tool while pressing the lock-off button. To install it, insert the tool into the dust collection system all the way until it locks in place with a little click.

► **Fig.19:** 1. Lock-off button

Dust cup

Optional accessory

Use the dust cup to prevent dust from falling over the tool and on yourself when performing overhead drilling operations. Attach the dust cup to the bit as shown in the figure. The size of bits which the dust cup can be attached to is as follows.

Model	Bit diameter
Dust cup 5	6 mm - 14.5 mm
Dust cup 9	12 mm - 16 mm

► **Fig.20:** 1. Dust cup

Dust cup set

Optional accessory

Before installing the dust cup set, remove the bit from the tool if installed.

Install the dust cup set on the tool so that the \triangle symbol on the dust cup is aligned with the groove in the tool.

► **Fig.21:** 1. \triangle symbol 2. Groove

NOTE: If you connect a vacuum cleaner to the dust cup set, remove the dust cap before connecting it.

► **Fig.22:** 1. Dust cap

To remove the dust cup set, remove the bit while pulling the chuck cover in the direction of the arrow.

► **Fig.23:** 1. Bit 2. Chuck cover

Hold the root of dust cup and pull it out.

► **Fig.24**

NOTE: If the cap comes off from the dust cup, attach it with its printed side facing up so that groove on the cap fits in the inside periphery of the attachment.

► **Fig.25**

OPERATION

CAUTION: Always use the side grip (auxiliary handle) and firmly hold the tool by both side grip and switch handle during operations.

CAUTION: Always make sure that the work-piece is secured before operation.

CAUTION: The dust collection system is intended for drilling in concrete only. Do not use the dust collection system for drilling in metal or wood.

CAUTION: When using the tool with the dust collection system, be sure to attach the filter to the dust collection system to prevent dust inhalation.

CAUTION: Before using the dust collection system, check that the filter is not damaged. Failure to do so may cause dust inhalation.

CAUTION: The dust collection system collects the generated dust at a considerable rate, but not all dust can be collected.


NOTICE: Do not use the dust collection system for core drilling or chiseling.

NOTICE: Do not use the dust collection system for drilling in wet concrete or use this system in wet environment. Failure to do so may cause malfunction.

► **Fig.26**

Hammer drilling operation


CAUTION: There is tremendous and sudden twisting force exerted on the tool/drill bit at the time of hole break-through, when the hole becomes clogged with chips and particles, or when striking reinforcing rods embedded in the concrete. **Always use the side grip (auxiliary handle) and firmly hold the tool by both side grip and switch handle during operations.** Failure to do so may result in the loss of control of the tool and potentially severe injury.

Set the action mode changing knob to the  symbol. Position the drill bit at the desired location for the hole, then pull the switch trigger. Do not force the tool. Light pressure gives best results. Keep the tool in position and prevent it from slipping away from the hole.

Do not apply more pressure when the hole becomes clogged with chips or particles. Instead, run the tool at an idle, then remove the drill bit partially from the hole. By repeating this several times, the hole will be cleaned out and normal drilling may be resumed.

NOTE: Eccentricity in the drill bit rotation may occur while operating the tool with no load. The tool automatically centers itself during operation. This does not affect the drilling precision.

Chipping/Scaling/Demolition

Set the action mode changing knob to the  symbol. Hold the tool firmly with both hands. Turn the tool on and apply slight pressure on the tool so that the tool will not bounce around, uncontrolled. Pressing very hard on the tool will not increase the efficiency.
▶ Fig.27

Drilling in wood or metal

CAUTION: Hold the tool firmly and exert care when the drill bit begins to break through the workpiece. There is a tremendous force exerted on the tool/drill bit at the time of hole break through.

CAUTION: A stuck drill bit can be removed simply by setting the reversing switch to reverse rotation in order to back out. However, the tool may back out abruptly if you do not hold it firmly.

CAUTION: Always secure workpieces in a vise or similar hold-down device.

NOTICE: Never use “rotation with hammering” when the drill chuck is installed on the tool. The drill chuck may be damaged. Also, the drill chuck will come off when reversing the tool.

NOTICE: Pressing excessively on the tool will not speed up the drilling. In fact, this excessive pressure will only serve to damage the tip of your drill bit, decrease the tool performance and shorten the service life of the tool.

Set the action mode changing knob to the  symbol.

For HR2650/HR2651/HR2661

Optional accessory

Attach the chuck adapter to a keyless drill chuck to which 1/2"-20 size screw can be installed, and then install them to the tool. When installing it, refer to the section “Installing or removing drill bit”.

▶ Fig.28: 1. Keyless drill chuck 2. Chuck adapter

For HR2651T

Use the quick change drill chuck as standard equipment. When installing it, refer to “changing the quick change chuck for SDS-plus”.


Hold the ring and turn the sleeve counterclockwise to open the chuck jaws. Place the bit in the chuck as far as it will go. Hold the ring firmly and turn the sleeve clockwise to tighten the chuck.

▶ Fig.29: 1. Sleeve 2. Ring

To remove the bit, hold the ring and turn the sleeve counterclockwise.

Diamond core drilling

NOTICE: If performing diamond core drilling operations using “rotation with hammering” action, the diamond core bit may be damaged.

When performing diamond core drilling operations, always set the action mode changing knob to the  position to use “rotation only” action.

Disposing of dust

CAUTION: Always be sure that the tool is switched off and unplugged before carrying out any work on the tool.

CAUTION: Be sure to wear dust mask when disposing of dust.

CAUTION: Empty the dust case regularly before the dust case becomes full. Failure to do so may decrease the dust collection performance and cause dust inhalation.

CAUTION: The performance of dust collection decreases if the filter in the dust case become clogged. Replace the filter with new one after approximately 200 times of dust fulfillment as a guide. Failure to do so may cause dust inhalation.

1. Remove the dust case while pressing down the lever of the dust case.

▶ Fig.30: 1. Lever

2. Open the cover of the dust case.

▶ Fig.31: 1. Cover

3. Dispose of the dust, and then clean the filter.

▶ Fig.32

NOTICE: When cleaning the filter, do not touch the filter with brush or similar, or blow compressed air on the filter. It may damage the filter.

Blow-out bulb

Optional accessory

After drilling the hole, use the blow-out bulb to clean the dust out of the hole.

► Fig.33

Using dust cup set

Optional accessory

Fit the dust cup set against the ceiling when operating the tool.

► Fig.34

NOTICE: Do not use the dust cup set when drilling in metal or similar. It may damage the dust cup set due to the heat produced by small metal dust or similar.

NOTICE: Do not install or remove the dust cup set with the drill bit installed in the tool. It may damage the dust cup set and cause dust leak.

MAINTENANCE

CAUTION: Always be sure that the tool is switched off and unplugged before attempting to perform inspection or maintenance.

NOTICE: Never use gasoline, benzine, thinner, alcohol or the like. Discoloration, deformation or cracks may result.

To maintain product SAFETY and RELIABILITY, repairs, any other maintenance or adjustment should be performed by Makita Authorized or Factory Service Centers, always using Makita replacement parts.

Replacing filter of dust case

1. Remove the dust case while pressing down the lever of the dust case.
► Fig.35: 1. Lever
2. Insert a flat-blade screwdriver between the filter case and the cover of the dust case as shown in the figure. While pressing and bending the sides of filter case, lift up the filter case with the flat-blade screwdriver and remove the filter case.
► Fig.36: 1. Flat-blade screwdriver 2. Filter case 3. Cover of the dust case
3. To remove the filter from the filter case, turn them upside down and push up the filter as shown in the figure.
► Fig.37: 1. Filter 2. Filter case
4. Attach a new filter to the filter case, and then attach them to the dust case aligning the protrusion on the filter case with the groove on the dust case.
► Fig.38: 1. Protrusion 2. Groove
5. Close the cover of the dust case, and then attach it to the tool.

Replacing sealing cap

If the sealing cap is worn out, the performance of the dust collection decreases. Replace it if it's worn out. Remove the sealing cap, and then attach a new one with its protrusion facing upward.

► Fig.39: 1. Protrusion 2. Sealing cap

OPTIONAL ACCESSORIES

CAUTION: These accessories or attachments are recommended for use with your Makita tool specified in this manual. The use of any other accessories or attachments might present a risk of injury to persons. Only use accessory or attachment for its stated purpose.

If you need any assistance for more details regarding these accessories, ask your local Makita Service Center.

- Carbide-tipped drill bits (SDS-Plus carbide-tipped bits)
- Core bit
- Bull point
- Diamond core bit
- Cold chisel
- Scaling chisel
- Grooving chisel
- Chuck adapter
- Keyless drill chuck
- Bit grease
- Depth gauge
- Blow-out bulb
- Dust cup
- Dust cup set
- Safety goggles
- Plastic carrying case

NOTE: Some items in the list may be included in the tool package as standard accessories. They may differ from country to country.

规格

型号:	HR2650	HR2651	HR2651T	HR2661
能力	混凝土	26 mm		
	空心钻	68 mm		
	金刚石空心钻 (干式)	80 mm		
	钢材	13 mm		
	木材	32 mm		
空载速度	0 - 1,200 /min			0 - 1,100/min
每分钟锤击数	0 - 4,600 /min			0 - 4,500/min
长度	604 mm		630 mm	666 mm
净重	3.0 - 4.1 kg	3.1 - 4.2 kg	3.2 - 4.4 kg	3.3 - 4.4 kg
安全等级	回/II			

- 生产者保留变更规格不另行通知之权利。
- 规格可能因销往国家之不同而异。
- 重量因附件而异。根据EPTA-Procedure 01/2014, 最重与最轻的组合见表格。

符号

以下显示本设备可能会使用的符号。在使用工具之前, 请务必理解其含义。



阅读使用说明书。



II类工具



仅限于欧盟国家
由于本设备中包含有害成分, 因此使用过的电气和电子设备可能会对环境和人体健康产生负面影响。
请勿将电气和电子工具与家庭普通废弃物放在一起处置!
根据欧洲关于废弃电气电子设备的指令及其国家层面的修订法案, 使用过的电气和电子设备应当单独收集并递送至城市垃圾收集点, 根据环保规定进行处置。
此规定由标有叉形标志的带轮垃圾桶符号表示。

用途

本工具适用于在砖块、混凝土和石头中进行冲击钻孔和钻孔。

也适用于木材、金属、陶瓷和塑料中的无冲击钻孔。

电源

本工具只可连接电压与铭牌所示电压相同的电源, 且仅可使用单相交流电源。本工具双重绝缘, 因此也可用于不带接地线的插座。

安全警告

电动工具通用安全警告

警告: 阅读所有警告和所有说明。不遵照以下警告和说明会导致电击、着火和 / 或严重伤害。

保存所有警告和说明书以备查阅。

在所有下列的警告中术语“电动工具”指市电驱动(有线)电动工具或电池驱动(无线)电动工具。

工作场地的安全

1. 保持工作场地清洁和明亮。混乱和黑暗的场地会引发事故。
2. 不要在易爆环境，如有易燃液体、气体或粉尘的环境下操作电动工具。电动工具产生的火花会点燃粉尘或气体。
3. 让儿童和旁观者离开后操作电动工具。注意力不集中会使操作者失去对工具的控制。

电气安全

1. 电动工具插头必须与插座相配。绝不能以任何方式改装插头。需接地的电动工具不能使用任何转换插头。未经改装的插头和相配的插座将减少电击危险。
2. 避免人体接触接地表面，如管道、散热片和冰箱。如果你身体接地会增加电击危险。
3. 不得将电动工具暴露在雨中或潮湿环境中。水进入电动工具将增加电击危险。
4. 不得滥用电线。绝不能用电线搬运、拉动电动工具或拔出其插头。使电线远离热源、油、锐边或运动部件。受损或缠绕的软线会增加电击危险。
5. 当在户外使用电动工具时，使用适合户外使用的外接软线。适合户外使用的软线将减少电击危险。
6. 如果在潮湿环境下操作电动工具是不可避免的，应使用剩余电流动作保护器（RCD）。使用RCD可减小电击危险。
7. 始终建议通过额定剩余电流为**30 mA**或以下的**RCD**来使用电源。

人身安全

1. 保持警觉，当操作电动工具时关注所从事的操作并保持清醒。当你感到疲倦，或在有药物、酒精或治疗反应时，不要操作电动工具。在操作电动工具时瞬间的疏忽会导致严重人身伤害。
2. 使用个人防护装置。始终佩戴护目镜。安全装置，诸如适当条件下使用防尘面具、防滑安全鞋、安全帽、听力防护等装置能减少人身伤害。
3. 防止意外启动。确保开关在连接电源和/或电池盒、拿起或搬运工具时处于关断位置。手指放在已接通电源的开关上或开关处于接通时插入插头可能会导致危险。
4. 在电动工具接通之前，拿掉所有调节钥匙或扳手。遗留在电动工具旋转零件上的扳手或钥匙会导致人身伤害。

5. 手不要伸展得太长。时刻注意立足点和身体平衡。这样在意外情况下能很好地控制电动工具。
6. 着装适当。不要穿宽松衣服或佩戴饰品。让衣服、手套和头发远离运动部件。宽松衣服、配饰或长发可能会卷入运动部件中。
7. 如果提供了与排屑、集尘设备连接用的装置，要确保它们连接完好且使用得当。使用这些装置可减少尘屑引起的危险。

电动工具使用和注意事项

1. 不要滥用电动工具，根据用途使用适当的电动工具。选用适当设计的电动工具会使你工作更有效、更安全。
2. 如果开关不能接通或关断工具电源，则不能使用该电动工具。不能用开关来控制电动工具是危险的且必须进行修理。
3. 在进行任何调节、更换附件或贮存电动工具之前，必须从电源上拔掉插头和/或使电池盒与工具脱开。这种防护性措施将减少工具意外起动的危险。
4. 将闲置不用的电动工具贮存在儿童所及范围之外，并且不要让不熟悉电动工具或对说明不了解的人操作电动工具。电动工具在未经培训的用户手中是危险的。
5. 保养电动工具。检查运动件是否调整到位或卡住，检查零件破损情况和影响电动工具运行的其他状况。如有损坏，电动工具应在使用前修理好。许多事故由维护不良的电动工具引发。
6. 保持切削刀具锋利和清洁。保养良好的有锋利切削刃的刀具不易卡住而且容易控制。
7. 按照使用说明书，考虑作业条件和进行的作业来使用电动工具、附件和工具的刀头等。将电动工具用于那些与其用途不符的操作可能会导致危险。

维修

1. 将你的电动工具送交专业维修人员，使用同样的备件进行修理。这样将确保所维修的电动工具的安全性。
2. 上润滑油及更换附件时请遵循本说明书指示。
3. 手柄务必保持干燥、清洁、无油（脂）。

锤类工具的安全警告

1. 戴好耳罩。暴露在噪声中会引起听力损伤。
2. 使用随工具提供的辅助手柄。操作失手会引起人身伤害。
3. 在切割附件可能触及暗线或其自身软线之处进行操作时，要通过绝缘握持面来握持工具。切割附件碰到带电导线会使工具外露的金属零件带电从而使操作者受到电击。
4. 请佩戴硬质帽子（安全头盔）、安全眼镜和/或面罩。普通眼镜或太阳眼镜并非安全眼镜。强烈建议您佩戴防尘面罩和厚手套。
5. 请在操作前确保钻头到位。
6. 该工具在正常操作下是用来产生振动。螺丝容易松动，造成故障或事故。操作前仔细检查螺钉的紧固度。
7. 在寒冷天气或该工具长时间未使用时，请在无负载下运行该工具以让其预热一会。这会提升润滑度。若没有适当预热，钻孔操作会很困难。
8. 请务必确保立足稳固。在高空使用工具时确保下方无人。
9. 需用双手握紧工具。
10. 手应远离移动的部件。
11. 运行中的工具不可离手放置。只可在手握工具的情况下操作工具。
12. 操作时请勿将工具对准近旁任何人。钻头会飞出以致严重伤害他人。
13. 操作之后，请勿立刻触摸钻头、靠近钻头的部件或工件，因为它们可能会非常烫而导致烫伤皮肤。
14. 某些材料含有有毒化学物质。小心不要吸入粉尘，并避免皮肤接触。遵循材料供应商的安全提示。
15. 请勿用湿手触摸电源插头。

请保留此说明书。

警告： 请勿为图方便或因对产品足够熟悉（由于重复使用而获得的经验）而不严格遵循相关产品安全规则。使用不当或不遵循使用说明书中的安全规则会导致严重的人身伤害。

功能描述

小心： 在调节或检查工具功能之前，请务必关闭工具电源开关并拔下电源插头。

开关操作

小心： 插上工具电源插头之前，请务必确认开关扳机能够正常工作，松开时能回到“OFF”（关闭）位置。

小心： 长时间使用时，可将开关锁定在“ON”（开启）位置，使操作更加舒适。将工具锁定在“ON”（开启）位置时请小心，务必牢固抓握工具。

► 图片1: 1. 开关扳机 2. 锁定按钮

► 图片2: 1. 开关扳机 2. 锁定按钮





启动工具时，只要扣动开关扳机即可。随着在开关扳机上施加压力的增大，工具速度会提高。松开开关扳机工具即停止。

连续操作时，请扣动开关扳机并按下锁定按钮，然后松开开关扳机。要从锁定位置停止工具时，可将开关扳机扣到底，然后松开。


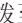
反转开关的操作

小心： 操作前请务必确认工具的旋转方向。

注意： 只有当工具完全停止转动后方可使用反转开关。如果在工具停止之前改变旋转方向，可能会损坏工具。



注意： 若开关扳机无法扣动，请检查反转开关是否完全拨在  /  位置（A侧）或  /  位置（B侧）。

HR2650/HR2651/HR2651T型

本工具设有反转开关，可改变旋转方向。将反转切换柄拨至  位置（A侧）可进行顺时针旋转；拨至  位置（B侧）可进行逆时针旋转。

► 图片3: 1. 反转切换柄

HR2661型

本工具设有反转开关，可改变旋转方向。向  位置（A侧）按压反转切换柄可进行顺时针方向旋转或向  位置（B侧）按压进行逆时针方向旋转。

► 图片4: 1. 反转切换柄

注：操作工具作逆时针方向旋转时，开关扳机只能扳到一半且工具以半速运转。逆时针方向旋转时不能按锁定按钮。



更换SDS-plus的快换式卡盘

HR2651T型

SDS-plus的快换式卡盘可以轻松替换为快换式钻机卡盘。



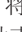
拆卸SDS-plus快换式卡盘

小心：在拆卸SDS-plus快换式卡盘前，请务必拆卸钻头。

抓住SDS-plus快换式卡盘的更换盖，并按箭头方向旋转直至更换盖线从符号移动到符号。朝箭头方向使劲拉。

► **图片5：** 1. SDS-plus快换式卡盘 2. 更换盖 3. 更换盖线

安装快换式钻机卡盘

检查快换式钻机卡盘的线显示符号。抓住快换式钻机卡盘的更换盖，并将线设置在符号上。将快换式钻机卡盘放在工具主轴上。抓住快换式钻机卡盘的更换盖，将更换盖线旋转至符号直至听到一声咔哒声。


► **图片6：** 1. 快换式钻机卡盘 2. 主轴 3. 更换盖线 4. 更换盖

选择动作模式

注意：不可在机器运转时旋转动作模式变换钮。否则会损坏工具。

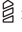
注意：为避免模式变换机制磨损过快，请确保动作模式变换钮始终处在三个动作模式位置上的一个。

旋转并冲击

对混凝土、石料等进行钻孔时，请将动作模式变换钮转至符号。请使用碳化钨钻头（选购附件）。


► **图片7：** 1. 旋转并冲击 2. 动作模式变换钮

仅旋转

对木料、金属或塑料等进行钻孔时，请将动作模式变换钮转至符号。请使用麻花钻头或木钻头。

► **图片8：** 1. 仅旋转

仅冲击

进行凿/剥/拆的操作时，请将动作模式变换钮转至符号。使用尖凿、冷凿、铲锈凿等。

► **图片9：** 1. 仅冲击

调节集尘口的位置

在按导板调节按钮的同时按入导板，然后在所需的位置松开按钮。

► **图片10：** 1. 导板 2. 导板调节按钮

注：调节集尘口位置前，通过按导板调节按钮向前完全松开集尘口。

调节钻孔深度

在按下的同时，滑动深度调节按钮至所需的位置。距离（A）为钻孔深度。

► **图片11：** 1. 深度调节按钮

扭矩限制器

注意：扭矩限制器启动时，请立即关闭工具。这有助于防止工具过早磨损。

注意：本工具不宜使用孔锯等容易卡入孔中的钻头。此类部件会导致扭矩限制器频繁动作。

达到一定扭矩水平扭矩限制器便会启动。电机将从输出轴脱离。这时钻头将会停止旋转。

挂钩

小心：切勿将工具悬挂在高处或可能不稳固的表面。

HR2661型

► **图片12：** 1. 挂钩

挂钩便于临时悬挂工具。

要使用挂钩时，只需提起挂钩使其咬在打开位置即可。不使用时，务必压低挂钩使其咬在关闭位置。

装配

⚠小心：对工具进行任何装配操作前请务必确认机器已关闭且已拔下电源插头。

侧把手（辅助手柄）

⚠小心：请务必使用侧把手以保证安全操作。

⚠小心：安装或调节好侧把手后，务必确保侧把手已牢固安装。

安装侧把手时，请将把手的凹槽对准工具的凸起。顺时针旋转把手将其紧固。可将把手固定在所需角度。

► **图片13：1.** 侧把手

润滑脂

请预先在钻头的柄端上涂抹少量（约0.5至1g）钻头油。

卡盘润滑确保了顺利操作和更长的使用寿命。

安装或拆卸钻头

清洁钻头的柄端并在安装钻头前涂抹润滑油。

► **图片14：1.** 柄端 **2.** 润滑脂

将钻头插入工具中。将钻头旋转推入直到完全啮合。

安装钻头后，请尝试将其拔出以检查确保钻头牢固。

► **图片15：1.** 钻头

若要拆卸钻头，请下拉卡盘盖不放然后将钻头拔出。

► **图片16：1.** 钻头 **2.** 卡盘盖

凿角（切削、刮或拆除时）

凿可固定在需要的角度。要改变凿角，请将动作模式变换钮旋转至○符号位置。旋转凿至所需角度。

► **图片17：1.** 动作模式变换钮

将动作模式变换钮转至∩符号。轻轻旋转凿以确保凿牢固在位置上。

深度规

深度规是一种使用方便，可确保钻孔深度统一的工具。拧松侧把手，并将深度规插入侧把手的孔中。调整深度规到所需深度并牢牢拧紧侧把手。

► **图片18：1.** 孔 **2.** 深度规

注：安装时确保深度规不要接触到工具的机身。

安装或拆卸集尘系统

要拆下集尘系统，请在按锁止按钮的同时拉工具。要安装时，完全插入工具至集尘系统直至其锁定到位并发出卡嗒声为止。

► **图片19：1.** 锁止按钮

集尘杯

选购附件

在执行头顶钻孔操作时，请使用集尘杯以防止灰尘落在工具或您身上。请依图示将集尘杯安装在钻头上。可以安装集尘杯的钻头尺寸如下。

型号	钻头直径
5号集尘杯	6 mm - 14.5 mm
9号集尘杯	12 mm - 16 mm

► **图片20：1.** 集尘杯

集尘杯套件

选购附件

安装集尘杯套件前，如果工具上已装有钻头，请将其拆下。

将集尘杯套件安装至工具，使其上的△符号对齐工具上的凹槽。

► **图片21：1.** △符号 **2.** 凹槽

注：如果将集尘器连接集尘杯套件，连接前请拆下防尘盖。

► **图片22：1.** 防尘盖

要拆卸集尘杯套件时，请在沿箭头方向拉卡盘壳的同时拆下钻头。

► **图片23：1.** 钻头 **2.** 卡盘盖

握住集尘杯根部并将其拉出。

► **图片24**

注：如果盖子从集尘杯掉落，安装时请将其打印面朝上，使盖子的凹槽对准装置的内缘。

► **图片25**

操作

⚠小心：操作期间，请务必同时抓牢侧把手（辅助手柄）和开关手柄，紧紧握住工具。

⚠小心：始终在操作之前确保工件已牢固固定。

⚠小心：集尘系统仅用于对混凝土钻孔。对金属或木材进行钻孔时，请勿使用集尘系统。

⚠小心：结合集尘系统使用工具时，请务必安装过滤器至集尘系统以防止吸入灰尘。

⚠小心：使用集尘系统前，请检查并确认过滤器没有损坏。否则可能会导致吸入灰尘。

⚠小心：集尘系统能够在很大的程度上收集产生的灰尘，但无法收集全部灰尘。


注意：进行空心钻孔或开凿时，请勿使用集尘系统。

注意：对潮湿混凝土钻孔或在潮湿环境下工作时，请勿使用集尘系统。否则可能导致功能不良。

► 图片26

冲击钻孔操作

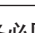
⚠小心：钻穿时若钻孔被碎片或粉屑堵塞或冲击到混凝土中的钢筋，工具/钻头会受到极大的突然扭力。操作期间，请务必同时抓牢侧把手（辅助手柄）和开关手柄，紧紧握住工具。否则可能造成工具失控和严重伤害。

将动作模式变换钮设置在符号一侧。将钻头对准孔的适当位置，然后扣动开关扳机。不要强力按压工具。最好轻轻按压。保持工具定位正确，防止工具偏离孔位。

当钻孔被碎屑或碎片堵塞时切勿过度用力。相反，请急速旋转工具，然后逐渐从孔中取出钻头。重复此操作数次之后，钻孔将被清理干净，可重新开始钻孔。

注：工具在无负载下操作时，钻头旋转可能会偏离中心。操作期间该工具会自动对准中心。这不影响钻孔的精确度。

切割、刮或拆除

将动作模式变换钮设置在符号一侧。需用双手握紧工具。打开工具，轻轻施加压力，这样该工具就不会不受控制地弹跳。使劲按压工具不会增加效果。

► 图片27

木材或金属钻孔

⚠小心：钻头即将钻穿工件时需握紧工具，注意力集中。钻穿时工具/钻头会受到极大的突然扭力。

⚠小心：取出卡住的钻头时，只需将反转开关设为反向旋转便可退出工具。但如果不紧紧握住工具，工具可能突然退出。

⚠小心：请务必用虎钳或类似夹紧装置固定工件。

注意：当本工具上安装有钻机卡盘时，切勿使用“旋转并冲击”。可能会损坏钻机卡盘。同样，反转工具时钻机卡盘会脱落。

注意：过分用力按压工具并不会提高钻孔效率。事实上，过大的压力只会损坏钻头尖，降低工具性能，缩短工具使用寿命。

将动作模式变换钮设置在符号一侧。

HR2650/HR2651/HR2661型

选购附件

安装卡盘适配器至可以安装1/2"-20尺寸螺丝的手紧式钻机卡盘，然后将它们安装至工具。安装时，请参考章节“安装或拆卸钻头”。

► 图片28：1.手紧式钻机卡盘 2.卡盘适配器

HR2651T型

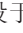
使用属于标准设备的快换式钻机卡盘。安装时，请考“更换SDS-plus的快换式卡盘”。握住挡圈，逆时针旋转套筒打开卡盘爪。尽量将钻头放入卡盘最里侧。紧紧握住挡圈，顺时针转动套筒旋紧卡盘。

► 图片29：1.套筒 2.挡圈

要卸下钻头时，握住挡圈然后逆时针旋转套筒。

金刚石空心钻

注意：如选择“旋转并冲击”的动作模式，金刚石空心钻可能受损。

使用金刚石空心钻进行钻孔操作时，请务必将动作模式变换钮设于位置，选择“仅旋转”动作模式。

灰尘处理

⚠️小心：对工具进行任何装配操作前请务必确认机器已关闭且已拔下电源插头。

⚠️小心：处理灰尘时，请务必佩戴防尘面罩。

⚠️小心：在集尘盒集满前，定期清空集尘盒。否则可能会降低集尘性能，并导致吸入灰尘。

⚠️小心：如果集尘盒内的过滤器堵塞，集尘性能会下降。一般来说，在约200次集满灰尘后，应更换新的过滤器。否则可能会导致吸入灰尘。

1. 在按压集尘盒的杆的同时，拆下集尘盒。

▶ **图片30：** 1. 杆

2. 打开集尘盒的盖板。

▶ **图片31：** 1. 盖板

3. 清理灰尘，然后清洁过滤器。

▶ **图片32**

注意：清洁过滤器时，请勿用刷子或类似工具触碰过滤器，或用压缩空气吹扫过滤器。这可能会损坏过滤器。

吹气球

选购附件

钻孔后用吹气球清除孔眼中的尘土。

▶ **图片33**

使用集尘杯套件

选购附件

在操作工具时，使集尘杯套件抵住顶板。

▶ **图片34**

注意：对金属或类似工件进行钻孔时，请勿使用集尘杯套件。金属细屑或类似物可能会对集尘杯套件造成损伤。

注意：不要在工具装有钻头的情况下安装或拆卸集尘杯套件。可能会损伤集尘杯套件并导致尘体泄漏。

保养

⚠️小心：检查或保养工具之前，请务必关闭工具电源开关并拔下插头。

注意：切勿使用汽油、苯、稀释剂、酒精或类似物品清洁工具。否则可能会导致工具变色、变形或出现裂缝。

为了保证产品的安全与可靠性，维修、任何其他维修保养或调节需由Makita（牧田）授权的或工厂维修服务中心完成。务必使用Makita（牧田）的替换部件。

更换集尘盒的过滤器

1. 在按压集尘盒的杆的同时，拆下集尘盒。

▶ **图片35：** 1. 杆

2. 如图所示，将平口螺丝刀插入过滤器盒和集尘盒的盖板之间。在按住并弯曲过滤器盒侧面的同时，用平口螺丝刀掀起过滤器盒并拆下过滤器盒。

▶ **图片36：** 1. 平口螺丝刀 2. 过滤器盒 3. 集尘盒的盖板

3. 要从过滤器盒上拆下过滤器，将其倒置并如图所示向上推过滤器。

▶ **图片37：** 1. 过滤器 2. 过滤器盒

4. 安装新的过滤器至过滤器盒，然后在对齐过滤器盒上的凸起部分和集尘盒上的凹槽的同时将它们安装至集尘盒。

▶ **图片38：** 1. 凸起部分 2. 凹槽

5. 关闭集尘盒的盖板，然后将其安装至工具。

更换密封盖

如果密封盖磨损，集尘性能会下降。若其磨损，请更换。

拆下密封盖，然后在凸起部分朝上的情况下安装新的密封盖。

▶ **图片39：** 1. 凸起部分 2. 密封盖

选购附件

⚠小心： 这些附件或装置专用于本说明书所列的**Makita（牧田）**工具。如使用其他厂牌附件或装置，可能导致人身伤害。仅可将附件或装置用于规定目的。

如您需要了解更多关于这些选购附件的信息，请咨询当地的**Makita（牧田）**维修服务中心。

- 硬质合金钻头 (SDS-Plus硬质合金钻头)
- 空心钻
- 尖凿
- 金刚石空心钻
- 冷凿
- 铲锈凿
- 开槽凿
- 卡盘适配器
- 手紧式钻机卡盘
- 钻头润滑脂
- 深度规
- 吹气球
- 集尘杯
- 集尘杯套件
- 安全护目镜
- 塑料携带箱

注： 本列表中的一些部件可能作为标准配件包含于工具包装内。它们可能因销往国家之不同而异。

SPEKIFIKASI

Model:		HR2650	HR2651	HR2651T	HR2661
Kapasitas	Beton	26 mm			
	Mata bor berteras	68 mm			
	Mata bor berteras intan (tipe kering)	80 mm			
	Baja	13 mm			
	Kayu	32 mm			
Kecepatan tanpa beban		0 - 1.200 min ⁻¹			0 - 1.100 min ⁻¹
Hembusan per menit		0 - 4.600 min ⁻¹			0 - 4.500 min ⁻¹
Panjang keseluruhan		604 mm		630 mm	666 mm
Berat bersih		3,0 - 4,1 kg	3,1 - 4,2 kg	3,2 - 4,4 kg	3,3 - 4,4 kg
Kelas keamanan		□/II			

- Karena kesinambungan program penelitian dan pengembangan kami, spesifikasi yang disebutkan di sini dapat berubah tanpa pemberitahuan.
- Spesifikasi dapat berbeda dari satu negara ke negara lainnya.
- Berat alat mungkin berbeda tergantung perangkat tambahan yang dipasang. Kombinasi alat terberat dan teringan, sesuai Prosedur EPTA 01/2014, ditunjukkan pada tabel.

Simbol

Berikut ini adalah simbol-simbol yang dapat digunakan pada peralatan ini. Pastikan Anda memahami arti masing-masing simbol sebelum menggunakan peralatan.



Baca petunjuk penggunaan.



ISOLASI GANDA



Hanya untuk negara-negara UE
Akibat adanya komponen berbahaya dalam peralatan, peralatan listrik dan elektronik bekas dapat memiliki dampak negatif pada lingkungan dan kesehatan manusia.

Jangan buang peralatan listrik dan elektronik bersama limbah rumah tangga! Sesuai dengan Petunjuk Eropa tentang limbah peralatan listrik dan elektronik dan penyesuaiannya dengan undang-undang nasional, peralatan listrik dan elektronik bekas harus dikumpulkan secara terpisah dan dikirim ke tempat pengumpulan terpisah untuk limbah kota, beroperasi sesuai dengan peraturan perlindungan lingkungan.

Hal ini ditunjukkan dengan simbol tempat sampah bersilang yang ditempatkan pada peralatan.

Penggunaan

Mesin ini digunakan untuk pengeboran dengan getar dan mengebor batu bata, beton, dan batu. Mesin ini juga cocok untuk pengeboran tanpa hentakan pada kayu, logam, keramik, dan plastik.

Pasokan daya

Mesin harus terhubung dengan pasokan daya listrik yang bervoltase sama dengan yang tertera pada pelat nama, dan hanya dapat dijalankan dengan listrik AC fase tunggal. Mesin diisolasi ganda dan oleh sebab itu dapat dihubungkan dengan soket tanpa kabel.

PERINGATAN KESELAMATAN

Peringatan keselamatan umum mesin listrik

⚠ PERINGATAN: Bacalah semua peringatan keselamatan dan semua petunjuk. Kelalaian mematuhi peringatan dan petunjuk dapat menyebabkan sengatan listrik, kebakaran dan/atau cedera serius.

Simpanlah semua peringatan dan petunjuk untuk acuan di masa depan.

Istilah "mesin listrik" dalam semua peringatan mengacu pada mesin listrik yang dijalankan dengan sumber listrik jala-jala (berkabel) atau baterai (tanpa kabel).

Keselamatan tempat kerja

1. **Jaga tempat kerja selalu bersih dan berpenerangan cukup.** Tempat kerja yang berantakan dan gelap mengundang kecelakaan.
2. **Jangan gunakan mesin listrik dalam lingkungan yang mudah meledak, misalnya jika ada cairan, gas, atau debu yang mudah menyala.** Mesin listrik menimbulkan bunga api yang dapat menyalakan debu atau uap tersebut.
3. **Jauhkan anak-anak dan orang lain saat menggunakan mesin listrik.** Bila perhatian terpecah, anda dapat kehilangan kendali.

Keamanan Kelistrikan

1. **Steker mesin listrik harus cocok dengan stopkontak. Jangan sekali-kali mengubah steker dengan cara apa pun. Jangan menggunakan steker adaptor dengan mesin listrik terbumi (dibumikan).** Steker yang tidak diubah dan stopkontak yang cocok akan mengurangi risiko sengatan listrik.
2. **Hindari sentuhan tubuh dengan permukaan terbumi atau yang dibumikan seperti pipa, radiator, kompor, dan kulkas.** Risiko sengatan listrik bertambah jika tubuh Anda terbumikan atau dibumikan.
3. **Jangan membiarkan mesin listrik kehujanan atau kebasahan.** Air yang masuk ke dalam mesin listrik akan meningkatkan risiko sengatan listrik.
4. **Jangan menyalahgunakan kabel. Jangan sekali-kali menggunakan kabel untuk membawa, menarik, atau mencabut mesin listrik dari stopkontak. Jauhkan kabel dari panas, minyak, tepian tajam, atau bagian yang bergerak.** Kabel yang rusak atau kusut memperbesar risiko sengatan listrik.
5. **Bila menggunakan mesin listrik di luar ruangan, gunakan kabel ekstensi yang sesuai untuk penggunaan di luar ruangan.** Penggunaan kabel yang sesuai untuk penggunaan luar ruangan mengurangi risiko sengatan listrik.
6. **Jika mengoperasikan mesin listrik di lokasi lembap tidak terhindarkan, gunakan pasokan daya yang dilindungi peranti imbasan arus (residual current device - RCD).** Penggunaan RCD mengurangi risiko sengatan listrik.
7. **Penggunaan pasokan daya melalui RCD dengan kapasitas arus sisa 30 mA atau kurang selalu dianjurkan.**

Keselamatan Diri

1. **Jaga kewaspadaan, perhatikan pekerjaan Anda dan gunakan akal sehat bila menggunakan mesin listrik. Jangan menggunakan mesin listrik saat Anda lelah atau di bawah pengaruh obat bius, alkohol, atau obat.** Sekejap saja lalai saat menggunakan mesin listrik dapat menyebabkan cedera badan serius.
2. **Gunakan alat pelindung diri. Selalu gunakan pelindung mata.** Peralatan pelindung seperti masker debu, sepatu pengaman anti-selip, helm pengaman, atau pelindung telinga yang digunakan untuk kondisi yang sesuai akan mengurangi risiko cedera badan.

3. **Cegah penyalaan yang tidak disengaja. Pastikan bahwa sakelar berada dalam posisi mati (off) sebelum menghubungkan mesin ke sumber daya dan/atau paket baterai, atau mengangkat atau membawanya.** Membawa mesin listrik dengan jari Anda pada sakelarnya atau mengalirkan listrik pada mesin listrik yang sakelarnya hidup (on) akan mengundang kecelakaan.
4. **Lepaskan kunci-kunci penyetel sebelum menghidupkan mesin listrik.** Kunci-kunci yang masih terpasang pada bagian mesin listrik yang berputar dapat menyebabkan cedera.
5. **Jangan meraih terlalu jauh. Jagalah pijakan dan keseimbangan sepanjang waktu.** Hal ini memungkinkan kendali yang lebih baik atas mesin listrik dalam situasi yang tidak diharapkan.
6. **Kenakan pakaian dengan baik. Jangan memakai pakaian yang kedodoran atau perhiasan. Jaga jarak antara rambut, pakaian, dan sarung tangan Anda dengan bagian mesin yang bergerak.** Pakaian kedodoran, perhiasan, atau rambut panjang dapat tersangkut pada bagian yang bergerak.
7. **Jika tersedia fasilitas untuk menghisap dan mengumpulkan debu, pastikan fasilitas tersebut terhubung listrik dan digunakan dengan baik.** Penggunaan pembersih debu dapat mengurangi bahaya yang terkait dengan debu.

Penggunaan dan pemeliharaan mesin listrik

1. **Jangan memaksa mesin listrik. Gunakan mesin listrik yang tepat untuk keperluan Anda.** Mesin listrik yang tepat akan menuntaskan pekerjaan dengan lebih baik dan aman pada kecepatan sesuai rancangannya.
2. **Jangan gunakan mesin listrik jika sakelar tidak dapat menyalakan dan mematikannya.** Mesin listrik yang tidak dapat dikendalikan dengan sakelarnya adalah berbahaya dan harus diperbaiki.
3. **Cabut steker dari sumber listrik dan/atau paket baterai dari mesin listrik sebelum melakukan penyetelan, penggantian aksesori, atau menyimpan mesin listrik.** Langkah keselamatan preventif tersebut mengurangi risiko hidupnya mesin secara tak sengaja.
4. **Simpan mesin listrik jauh dari jangkauan anak-anak dan jangan biarkan orang yang tidak paham mengenai mesin listrik tersebut atau petunjuk ini menggunakan mesin listrik.** Mesin listrik sangat berbahaya di tangan pengguna yang tak terlatih.
5. **Rawatlah mesin listrik. Periksa apakah ada bagian bergerak yang tidak lurus atau macet, bagian yang pecah dan kondisi lain yang dapat memengaruhi penggunaan mesin listrik. Jika rusak, perbaiki dahulu mesin listrik sebelum digunakannya.** Banyak kecelakaan disebabkan oleh kurangnya pemeliharaan mesin listrik.
6. **Jaga agar mesin pemotong tetap tajam dan bersih.** Mesin pemotong yang terawat baik dengan mata pemotong yang tajam tidak mudah macet dan lebih mudah dikendalikan.

- Gunakan mesin listrik, aksesoris, dan mata mesin, dll. sesuai dengan petunjuk ini, dengan memperhitungkan kondisi kerja dan jenis pekerjaan yang dilakukan. Penggunaan mesin listrik untuk penggunaan yang lain dari peruntukan dapat menimbulkan situasi berbahaya.

Servis

- Berikan mesin listrik untuk diperbaiki hanya kepada oleh teknisi yang berkualifikasi dengan menggunakan hanya suku cadang pengganti yang serupa. Hal ini akan menjamin terjaganya keamanan mesin listrik.
- Patuhi petunjuk pelumasan dan penggantian aksesoris.
- Jagalah agar gagang kering, bersih, dan bebas dari minyak dan gemuk.

PERINGATAN KESELAMATAN MESIN BOR GETAR ROTARI

- Kenakan pelindung telinga.** Terpaan kebisingan dapat menyebabkan hilangnya pendengaran.
- Gunakan gagang tambahan, jika disertakan bersama mesin ini.** Kehilangan kendali dapat menyebabkan cedera.
- Pegang mesin listrik pada permukaan gagang yang terisolasi saat melakukan pekerjaan bila mesin pemotong mungkin bersentuhan dengan kawat tersembunyi atau kabelnya sendiri.** Aksesoris pemotong yang menyentuh kawat "hidup" dapat menyebabkan bagian logam pada mesin teraliri arus listrik dan menyengat pengguna.
- Kenakan helm pengaman, kaca mata pengaman dan/atau pelindung muka.** Kaca mata biasa atau kaca mata hitam **BUKANLAH** kaca mata pengaman. Anda sangat dianjurkan untuk mengenakan masker debu dan sarung tangan tebal.
- Pastikan mata mesin terpasang pada tempatnya sebelum penggunaan.
- Pada penggunaan normal, mesin dirancang untuk menghasilkan getaran. Sekrup bisa menjadi longgar dengan mudah, menyebabkan kerusakan atau kecelakaan. Periksa kekencangan sekrup sebelum penggunaan.
- Pada cuaca dingin atau ketika mesin telah lama tidak digunakan, lakukan pemanasan pada mesin beberapa saat dengan mengoperasikannya tanpa beban. Hal ini akan memperlancar pelumasan. Tanpa pemanasan yang tepat, pengerjaan pembobokan menjadi sulit.
- Selalu pastikan Anda memiliki pijakan kuat. Pastikan tidak ada orang di bawah Anda ketika menggunakan mesin di lokasi tinggi.
- Pegang mesin kuat-kuat dengan kedua tangan.
- Jauhkan tangan dari bagian yang berputar.
- Jangan tinggalkan mesin dalam keadaan hidup. Jalankan mesin hanya ketika digenggam tangan.
- Jangan mengarahkan mesin pada siapa pun di tempat kerja ketika mengoperasikan. Mata mesin bisa terlempar dan melukai orang dengan serius.

- Jangan menyentuh mata mesin, bagian yang berdekatan dengan mata mesin, atau benda kerja segera setelah pengoperasian; suhunya mungkin masih sangat panas dan dapat membakar kulit Anda.
- Bahan tertentu mengandung zat kimia yang mungkin beracun. Hindari menghirup debu dan persentuhan dengan kulit. Ikuti data keselamatan bahan dari pemasok.
- Jangan menyentuh colokan daya dengan tangan basah.

SIMPAN PETUNJUK INI.

PERINGATAN: JANGAN biarkan kenyamanan atau terbiasanya Anda dengan produk (karena penggunaan berulang) mengurangi kepatuhan yang ketat terhadap aturan keselamatan untuk produk yang terkait. **PENYALAHGUNAAN** atau kelalaian mematuhi kaidah keselamatan yang tertera dalam petunjuk ini dapat menyebabkan cedera badan serius.

DESKRIPSI FUNGSI

PERHATIAN: Selalu pastikan bahwa mesin dalam keadaan mati dan steker tercabut sebelum menyetel atau memeriksa kerja mesin.

Kerja sakelar

PERHATIAN: Sebelum memasukkan steker, pastikan picu sakelar berfungsi dengan baik dan kembali ke posisi "OFF" saat dilepas.

PERHATIAN: Saklar bisa dikunci dalam posisi "ON" untuk memberi kenyamanan pada operator selama penggunaan terus-menerus. Selalu berhati-hati ketika mengunci mesin dalam posisi "ON" dan pegang mesin kuat-kuat.

► **Gbr.1:** 1. Pelatuk sakelar 2. Tombol buka kunci

► **Gbr.2:** 1. Pelatuk sakelar 2. Tombol kunci





Untuk menjalankan mesin, cukup tarik picu saklarnya. Kecepatan mesin akan meningkat dengan menambah tekanan pada picu saklar. Lepaskan pelatuk sakelar untuk berhenti.

Untuk penggunaan terus-menerus, tarik picu saklar, tekan tombol kunci dan kemudian lepas picu saklar. Untuk membebaskan posisi terkunci, tarik picu saklar sampai penuh, lalu lepaskan.



Kerja saklar pembalik arah

PERHATIAN: Selalu periksa arah putaran sebelum penggunaan.

PEMBERITAHUAN: Gunakan saklar pembalik arah hanya setelah mesin benar-benar berhenti. Mengubah arah putaran sebelum mesin berhenti dapat merusak mesin.



PEMBERITAHUAN: Jika pelatuk sakelar tidak bisa ditekan, pastikan bahwa sakelar pembalik arah diposisikan sepenuhnya ke posisi  /  (sisi A) atau  /  (sisi B).

Untuk HR2650/HR2651/HR2651T

Mesin ini memiliki sakelar pembalik arah untuk mengubah arah putaran. Gerakkan tuas sakelar pembalik arah ke posisi  (sisi A) untuk putaran searah jarum jam atau posisi  (sisi B) untuk putaran berlawanan arah jarum jam.

► **Gbr.3:** 1. Tuas sakelar pengganti arah

Untuk HR2661

Mesin ini memiliki sakelar pembalik arah untuk mengubah arah putaran. Gerakkan tuas sakelar pembalik arah ke posisi  (sisi A) untuk putaran searah jarum jam atau  posisi (sisi B) untuk putaran berlawanan arah jarum jam.

► **Gbr.4:** 1. Tuas sakelar pengganti arah

CATATAN: Ketika Anda menjalankan mesin dengan putaran berlawanan arah jarum jam, pelatuk sakelar ditarik hanya setengahnya dan mesin menyala dengan kecepatan setengahnya. Selama putaran berlawanan arah jarum jam, Anda tidak bisa menekan tombol kunci.



Mengganti cuk ganti cepat untuk SDS-plus

Untuk HR2651T

Cuk ganti cepat untuk SDS-plus dengan mudah bisa ditukar dengan cuk bor ganti cepat.

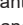


Melepas cuk ganti cepat untuk SDS-plus

PERHATIAN: Sebelum melepas cuk ganti cepat untuk SDS-plus, pastikan untuk melepas mata mesin.

Genggam tutup ganti pada cuk ganti cepat untuk SDS-plus dan putar sesuai arah panah sampai garis tutup ganti bergerak dari simbol  ke simbol . Tarik dengan kuat sesuai arah panah.

► **Gbr.5:** 1. Cuk ganti cepat untuk SDS-plus 2. Tutup ganti 3. Garis tutup ganti

Memasang cuk bor ganti cepat

Periksa apakah garis cuk bor ganti cepat menunjukkan simbol . Genggam tutup ganti pada cuk bor ganti cepat dan posisikan garisnya ke simbol . Pasang cuk bor ganti cepat pada spindel mesin. Genggam tutup ganti pada cuk bor ganti cepat dan putar garis tutup ganti ke simbol  sampai bisa terdengar bunyi klik dengan jelas.


► **Gbr.6:** 1. Cuk bor ganti cepat 2. Spindel 3. Garis tutup ganti 4. Tutup ganti

Memilih mode kerja

PEMBERITAHUAN: Jangan memutar tombol pengubah mode kerja ketika mesin sedang bekerja. Mesin bisa rusak.

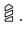
PEMBERITAHUAN: Untuk menghindari keausan yang cepat pada mekanisme pengubah mode, pastikan bahwa tombol pengubah mode kerja diposisikan dengan tepat pada salah satu dari tiga posisi mode kerja.

Putaran dengan getar

Untuk mengebor beton, tembok, dsb., putar tombol pengubah mode kerja ke simbol . Gunakan mata bor berujung tungsten-carbide (pilihan aksesori).


► **Gbr.7:** 1. Putaran dengan getar 2. Tombol pengubah mode kerja

Putaran saja

Untuk mengebor bahan kayu, logam atau plastik, putar tombol pengubah mode kerja ke simbol . Gunakan mata bor putar atau mata bor kayu.

► **Gbr.8:** 1. Putaran saja

Getar saja

Untuk pekerjaan menyerpih, menumbuk atau membobok, putar tombol pengubah mode kerja ke simbol . Gunakan pahat beton, pahat besi, pahat tumbuk, dsb.

► **Gbr.9:** 1. Getar saja

Menyetel posisi nosel

Dorong pemandu sembari menekan tombol penyetel pemandu, lalu lepas tombol pada posisi yang diinginkan.

► **Gbr.10:** 1. Pemandu 2. Tombol penyetel pemandu

CATATAN: Sebelum menyetel posisi nosel, lepas nosel ke depan sepenuhnya dengan menekan tombol penyetel pemandu.

Menyetel kedalaman pengeboran

Geser tombol penyetelan kedalaman ke posisi yang diinginkan sembari menekannya. Jarak (A) merupakan kedalaman pengeboran.

► **Gbr.11:** 1. Tombol penyetelan kedalaman

Pembatas torsi

PEMBERITAHUAN: Segera setelah pembatas torsi berfungsi, matikan mesin dengan segera. Hal ini akan membantu mencegah keausan dini pada mesin.

PEMBERITAHUAN: Mata bor seperti gergaji lubang, yang cenderung terjepit atau terperangkap dalam lubang dengan mudah, tidak sesuai untuk mesin ini. Karena hal ini akan menyebabkan pembatas torsi terlalu sering berfungsi.

Pembatas torsi akan berfungsi ketika mencapai tingkat torsi tertentu. Motor akan terlepas dari poros keluaran. Ketika hal ini terjadi, mata bor akan berhenti berputar.

Kait

⚠️PERHATIAN: Jangan sekali-kali mengaitkan mesin di lokasi yang tinggi atau di permukaan yang berpotensi tidak stabil.

Untuk HR2661

► **Gbr.12:** 1. Kait

Kait dapat digunakan untuk menggantung mesin untuk sementara waktu.

Untuk menggunakan kait, cukup angkat kait sampai terkunci ke posisi terbuka. Bila tidak digunakan, selalu turunkan kait sampai terkunci ke posisi tertutup.

PERAKITAN

⚠️PERHATIAN: Pastikan bahwa mesin dalam keadaan mati dan steker tercabut sebelum melakukan pekerjaan apa pun pada mesin.

Gagang sisi (pegangan tambahan)

⚠️PERHATIAN: Gunakan selalu gagang sisi untuk menjamin keselamatan penggunaan.

⚠️PERHATIAN: Setelah memasang atau menyatel gagang sisi, pastikan bahwa gagang sisi benar-benar terpasang dengan kencang.

Pasang gagang sisi sedemikian rupa hingga alur-alur pada gagang terpasang tepat pada tonjolan pada silinder mesin. Putar gagang searah jarum jam untuk mengencangkannya. Gagang dapat dipasang pada posisi yang diinginkan.

► **Gbr.13:** 1. Gagang sisi

Gemuk

Sebelumnya, lapisi ujung batang mata bor dengan sedikit gemuk (sekitar 0.5 - 1 g).

Pelumasan cekam ini menjamin kelancaran kerja dan memperpanjang umur pemakaian mesin.

Memasang atau melepas mata bor

Bersihkan ujung batang mata bor dan beri gemuk sebelum memasang mata bor/pemahat.

► **Gbr.14:** 1. Ujung batang 2. Gemuk

Masukkan mata bor pada alat. Putar mata bor dan tekan sampai terpasang.

Setelah terpasang, selalu pastikan bahwa mata bor benar-benar terpasang pada tempatnya dengan mencoba menariknya keluar.

► **Gbr.15:** 1. Mata bor


Untuk melepas mata bor, tarik tutup cekam sepenuhnya dan tarik mata bor keluar.

► **Gbr.16:** 1. Mata bor 2. Tutup cekam

Sudut pemahat (ketika menyerpih, menumbuk atau membobok)

Pemahat dapat dipasang pada posisi yang diinginkan. Untuk mengubah sudut pemahat, putar tombol pengubah mode kerja ke simbol O. Putar pemahat ke sudut yang diinginkan.

► **Gbr.17:** 1. Tombol pengubah mode kerja

Putar tombol pengubah mode kerja ke simbol . Kemudian pastikan bahwa pemahat benar-benar terpasang pada tempatnya dengan memutarinya sedikit.

Pengukur kedalaman

Pengukur kedalaman sangat tepat digunakan untuk menghasilkan lubang-lubang pengeboran dengan kedalaman yang seragam. Kendurkan gagang sisi dan masukkan pengukur kedalaman ke dalam lubang pada gagang sisi. Sesuaikan pengukur kedalaman pada kedalaman yang diinginkan lalu kencangkan gagang sisi kuat-kuat.

► **Gbr.18:** 1. Lubang 2. Pengukur kedalaman

CATATAN: Pastikan pengukur kedalaman tidak menyentuh badan utama mesin saat memasangnya.

Memasang atau melepas sistem pengumpul debu

Untuk melepas sistem pengumpul debu, tarik mesin sembari menekan tombol buka kunci. Untuk memasangnya, masukkan mesin ke sistem pengumpul debu hingga terkunci pada tempatnya dan terdengar bunyi klik kecil.

► **Gbr.19:** 1. Tombol pengunci

Mangkuk debu

Pilihan aksesoris

Gunakan mangkuk debu untuk mencegah debu berjatuhan ke atas mesin dan pada diri Anda sendiri ketika melakukan pekerjaan pengeboran di atas kepala. Pasang mangkuk debu pada mata mesin seperti ditunjukkan pada gambar. Ukuran mata mesin yang bisa dipasang mangkuk debu adalah sebagai berikut.


Model	Diameter mata mesin
Mangkuk debu 5	6 mm - 14,5 mm
Mangkuk debu 9	12 mm - 16 mm

► **Gbr.20:** 1. Mangkuk debu

Set mangkuk debu

Pilihan aksesoris

Sebelum memasang set mangkuk debu, lepas mata mesin dari mesin jika masih terpasang.

Pasang set mangkuk debu pada mesin sehingga simbol  di mangkuk debu sejajar dengan alur pada mesin.

► **Gbr.21:** 1. Simbol  2. Alur

CATATAN: Jika Anda menyambungkan pengisap debu ke set mangkuk debu, lepaskan tutup debu sebelum menyambungkannya.

► **Gbr.22:** 1. Tutup debu

Untuk melepas set mangkuk debu, lepas mata mesin sembari menarik tutup cuk sesuai arah panah.

► **Gbr.23:** 1. Mata mesin 2. Tutup cekam

Tahan kaki mangkuk debu lalu tarik keluar.

► **Gbr.24**

CATATAN: Jika tutup terlepas dari tutup debu, pasang tutup tersebut dengan sisi yang tercetak menghadap ke atas sehingga alur pada tutup terpasang tepat di dalam periferi perangkat tambahan.

► **Gbr.25**

PENGUNAAN

PERHATIAN: Selalu gunakan gagang sisi (pegangan tambahan) dan pegang mesin kuat-kuat pada kedua gagang sisi dan pegangan saklar selama penggunaan.

PERHATIAN: Selalu pastikan bidang kerja terpasang dengan aman sebelum penggunaan.

PERHATIAN: Sistem pengumpul debu hanya ditujukan untuk pengeboran baja. Jangan gunakan sistem pengumpul debu untuk pengeboran logam atau kayu.

PERHATIAN: Saat menggunakan mesin dengan sistem pengumpul debu, pastikan Anda memasang saringan ke sistem pengumpul debu untuk mencegah debu terhirup.

PERHATIAN: Sebelum menggunakan sistem pengumpul debu, periksa apakah saringan tidak rusak. Kelalaian dalam melakukannya dapat menyebabkan debu terhirup.

PERHATIAN: Sistem pengumpul debu mengumpulkan debu yang dihasilkan pada laju yang mencukupi, namun tidak semua debu dapat dikumpulkan.


PEMBERITAHUAN: Jangan gunakan sistem pengumpul debu untuk pemahatan atau pengeboran berteras.

PEMBERITAHUAN: Jangan gunakan sistem pengumpul debu untuk pengeboran dalam beton basah atau menggunakan sistem dalam lingkungan yang basah. Kelalaian dalam melakukannya dapat menyebabkan kegagalan.

► **Gbr.26**

Cara pengoperasian bor getar

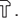
PERHATIAN: Akan timbul gaya yang sangat kuat dan tiba-tiba pada mesin/mata mesin saat menembus lubang, bila lubang dipenuhi geram-geram atau partikel, atau bila menabrak besi-besi tulangan yang terpasang di dalam beton. **Selalu gunakan gagang sisi (pegangan tambahan) dan pegang mesin kuat-kuat pada kedua gagang sisi dan pegangan saklar selama penggunaan.** Kelalaian dalam melakukannya dapat menyebabkan kehilangan kendali pada mesin dan berpotensi mengakibatkan cedera berat.

Posisikan tombol pengubah mode kerja ke simbol . Posisikan mata bor pada lokasi yang diinginkan untuk lubang, kemudian tarik picu sakelar. Jangan memaksa mesin listrik. Tekanan yang ringan akan memberi hasil yang terbaik. Jaga posisi mesin dan cegah agar tidak selip dari lubang.

Jangan menambah tekanan bila lubang dipenuhi serpihan atau partikel. Tetapi, nyalakan mesin tanpa putaran, lalu angkat mata bor sedikit dari lubang. Dengan melakukan hal ini beberapa kali, lubang akan bersih dan pengeboran normal bisa dilanjutkan kembali.

CATATAN: Eksentrisitas pada putaran mata bor bisa terjadi ketika menggunakan alat tanpa beban. Mesin akan memusatkan diri secara otomatis selama penggunaan. Hal ini tidak memengaruhi ketepatan pengeboran.

Menyepih/Menumbuk/Membobok

Posisikan tombol pengubah mode kerja ke simbol . Tahan mesin dengan kuat menggunakan kedua tangan. Nyalakan mesin dan beri sedikit tekanan pada mesin sehingga mesin tidak akan memantul, menjadi tidak terkendali.

Menekan mesin kuat-kuat tidak akan menambah efisiensi.

► **Gbr.27**

Mengebor kayu atau logam


PERHATIAN: Pegang mesin dengan kuat dan berhati-hatilah saat mata bor menembus benda kerja. Akan timbul gaya yang sangat kuat pada mesin/mata bor saat menembus lubang.

PERHATIAN: Mata bor yang macet dapat dicabut dengan menyetel saklar pembalik arah agar mesin berputar berlawanan arah untuk mundur. Tetapi, mesin bisa saja mundur mendadak jika Anda tidak memegangnya dengan kuat.

PERHATIAN: Selalu kencangkan benda kerja menggunakan ragum atau perangkat penahan yang serupa.

PEMBERITAHUAN: Jangan sekali-kali menggunakan “putaran dengan getar” ketika cekam bor terpasang pada mesin. Cekam bor bisa rusak. Cekam bor juga akan terlepas ketika membalik arah mesin.

PEMBERITAHUAN: Menekan mesin secara berlebihan tidak akan mempercepat pengeboran. Bahkan, tekanan yang berlebihan hanya akan merusak mata bor Anda, mengurangi kinerja mesin dan memperpendek usia pakai mesin.

Posisikan tombol pengubah mode kerja ke simbol .

Untuk HR2650/HR2651/HR2661

Pilihan aksesoris

Pasang adaptor cekam ke cekam bor tanpa kunci yang dapat dipasangi sekrup berukuran 1/2"-20, lalu pasang ke mesin. Ketika memasangnya, silakan mengacu pada “Memasang atau melepas mata bor”.

► **Gbr.28:** 1. Cekam bor tanpa kunci 2. Adaptor cekam

Untuk HR2651T

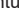
Gunakan cuk bor ganti cepat sebagai perlengkapan standar. Ketika memasangnya, silakan mengacu pada “mengganti cekam ganti cepat untuk SDS-plus”. Tahan cincin dan putar selongsong berlawanan arah jarum jam untuk membuka rahang cuk. Masukkan mata bor ke dalam cuk sejauh mungkin. Pegang cincin dengan kuat dan putar selongsong searah jarum jam untuk mengencangkan cuk.

► **Gbr.29:** 1. Selongsong 2. Cincin

Untuk melepas mata bor, pegang cincin dan putar selongsong berlawanan arah jarum jam.

Pengeboran dengan mata bor berteras intan

PEMBERITAHUAN: Jika melakukan pekerjaan pengeboran dengan mata bor berteras intan menggunakan kerja “putaran dengan getar”, mata bor berteras intan bisa rusak.

Ketika melakukan pekerjaan pengeboran dengan mata bor berteras intan, selalu posisikan knop mode pengubah mode kerja ke posisi  untuk menggunakan kerja “putaran saja”.

Membuang debu

PERHATIAN: Pastikan bahwa mesin dalam keadaan mati dan steker tercabut sebelum melakukan pekerjaan apa pun pada mesin.

PERHATIAN: Pastikan Anda mengenakan masker debu saat membuang debu.

PERHATIAN: Kosongkan wadah debu secara rutin sebelum wadah debu penuh. Kelalaian dalam melakukannya dapat menurunkan kinerja pengumpul debu dan menyebabkan debu terhirup.

PERHATIAN: Kinerja pengumpul debu menurun jika saringan dalam wadah debu tersumbat. Ganti saringan dengan yang baru setelah sekitar 200 kali pengisian debu sebagai panduan. Kelalaian dalam melakukannya dapat menyebabkan debu terhirup.

1. Lepas wadah debu sembari menekan ke bawah tuas wadah debu.

► **Gbr.30:** 1. Tuas

2. Buka penutup wadah debu.

► **Gbr.31:** 1. Tutup

3. Buang debu, lalu bersihkan saringan.

► **Gbr.32**

PEMBERITAHUAN: Saat membersihkan saringan, jangan menyentuh saringan dengan sikat atau semacamnya, atau meniup udara mampat pada saringan. Hal tersebut bisa merusak saringan.

Penghembus angin

Pilihan aksesoris

Setelah mengebor lubang, gunakan penghembus angin untuk membersihkan lubang dari debu.

► **Gbr.33**

Menggunakan set mangkuk debu

Pilihan aksesoris

Pasang set mangkuk debu berlawanan dengan langit-langit saat mengoperasikan mesin.

► **Gbr.34**

PEMBERITAHUAN: Jangan gunakan set mangkuk debu untuk pengeboran logam atau sejenisnya. Hal tersebut dapat merusak set mangkuk debu akibat panas yang dihasilkan oleh debu logam kecil atau sejenisnya.

PEMBERITAHUAN: Jangan memasang atau melepas set mangkuk debu dengan mata bor terpasang pada mesin. Hal tersebut dapat merusak set mangkuk debu dan menyebabkan mangkuk bocor.

PERAWATAN

⚠️ PERHATIAN: Selalu pastikan bahwa mesin dimatikan dan steker dicabut sebelum melakukan pemeriksaan atau perawatan.

PEMBERITAHUAN: Jangan sekali-kali menggunakan bensin, tiner, alkohol, atau bahan sejenisnya. Penggunaan bahan demikian dapat menyebabkan perubahan warna, perubahan bentuk atau timbulnya retakan.

Untuk menjaga KEAMANAN dan KEANDALAN mesin, perbaikan, perawatan atau penyetelan lainnya harus dilakukan oleh Pusat Layanan Resmi atau Pabrik Makita; selalu gunakan suku cadang pengganti buatan Makita.

Mengganti saringan wadah debu

1. Lepas wadah debu sembari menekan ke bawah tuas wadah debu.
► **Gbr.35:** 1. Tuas
2. Masukkan obeng pipih ke sela-sela wadah saringan dan penutup wadah debu seperti yang ditunjukkan dalam gambar. Sembari menekan dan menekuk sisi-sisi wadah saringan, angkat wadah saringan menggunakan obeng pipih lalu lepaskan wadah saringan.
► **Gbr.36:** 1. Obeng bilah rata 2. Wadah saringan 3. Penutup wadah debu
3. Untuk melepas saringan dari wadah saringan, balik dan dorong saringan ke atas seperti yang ditunjukkan dalam gambar.
► **Gbr.37:** 1. Saringan 2. Wadah saringan
4. Pasang saringan baru ke wadah saringan, lalu pasang ke wadah debu sejajar dengan tonjolan pada wadah saringan dengan alur pada wadah debu.
► **Gbr.38:** 1. Tonjolan 2. Alur
5. Tutup penutup wadah debu, lalu pasang ke mesin.

Mengganti tutup penyegel

- Jika tutup penyegel aus, kinerja pengumpul debu menurun. Ganti jika aus.
Lepas tutup penyegel, lalu pasang yang baru dengan tonjolan menghadap ke atas.
► **Gbr.39:** 1. Tonjolan 2. Tutup penyegel

AKSESORI PILIHAN

⚠️ PERHATIAN: Dianjurkan untuk menggunakan aksesoris atau perangkat tambahan ini dengan mesin Makita Anda yang ditentukan dalam petunjuk ini. Penggunaan aksesoris atau perangkat tambahan lain bisa menyebabkan risiko cedera pada manusia. Hanya gunakan aksesoris atau perangkat tambahan sesuai dengan peruntukannya.

Jika Anda memerlukan bantuan lebih rinci berkenaan dengan aksesoris ini, tanyakan pada Pusat Layanan Makita terdekat.

- Mata bor berujung carbide (Mata bor berujung carbide SDS-Plus)
- Mata bor berteras
- Pahat beton
- Mata bor berteras intan
- Pahat besi
- Pahat tumbuk
- Pahat alur
- Adaptor cekam
- Cekam bor tanpa kunci
- Gemuk mata mesin
- Pengukur kedalaman
- Penghembus angin
- Mangkuk debu
- Set mangkuk debu
- Kaca mata pelindung
- Tas jinjing plastik

CATATAN: Beberapa item dalam daftar tersebut mungkin sudah termasuk dalam paket mesin sebagai aksesoris standar. Hal tersebut dapat berbeda dari satu negara ke negara lainnya.

THÔNG SỐ KỸ THUẬT

Kiểu máy:	HR2650	HR2651	HR2651T	HR2661
Công suất	Bê-tông	26 mm		
	Đầu mũi lõi	68 mm		
	Đầu mũi lõi kim cương (kiểu khô)	80 mm		
	Thép	13 mm		
	Gỗ	32 mm		
Tốc độ không tải	0 - 1.200 min ⁻¹		0 - 1.100 min ⁻¹	
Số nhát mỗi phút	0 - 4.600 min ⁻¹		0 - 4.500 min ⁻¹	
Chiều dài tổng thể	604 mm		630 mm	666 mm
Khối lượng tịnh	3,0 - 4,1 kg	3,1 - 4,2 kg	3,2 - 4,4 kg	3,3 - 4,4 kg
Cấp an toàn				

- Do chương trình nghiên cứu và phát triển liên tục của chúng tôi nên các thông số kỹ thuật trong đây có thể thay đổi mà không cần thông báo trước.
- Các thông số kỹ thuật có thể thay đổi tùy theo từng quốc gia.
- Khối lượng máy có thể khác nhau tùy thuộc vào (các) phụ kiện. Tổ hợp nhẹ nhất và nặng nhất, theo Quy trình EPTA 01/2014, được trình bày trong bảng.

Ký hiệu

Phần dưới đây cho biết các ký hiệu có thể được dùng cho thiết bị. Đảm bảo rằng bạn hiểu rõ ý nghĩa của các ký hiệu này trước khi sử dụng.



Đọc tài liệu hướng dẫn.



CÁCH ĐIỆN CẤP 2



Chỉ dành cho các quốc gia EU
Do có các thành phần nguy hiểm bên trong thiết bị, thiết bị điện và điện tử đã qua sử dụng nên có thể có tác động không tốt đến môi trường và sức khỏe con người.
Không vứt bỏ thiết bị điện và điện tử cùng với rác thải sinh hoạt!
Theo Chỉ thị của Châu Âu về thiết bị điện và điện tử thải bỏ và sự thích ứng của nó với luật pháp quốc gia, thiết bị điện và điện tử đã qua sử dụng phải được thu gom riêng và chuyển đến một điểm thu gom rác thải đô thị riêng biệt, hoạt động theo các quy định về bảo vệ môi trường.
Điều này được biểu thị bằng biểu tượng thùng rác có bánh xe gạch chéo được đặt trên thiết bị.

Mục đích sử dụng

Dụng cụ này được thiết kế để khoan đóng búa và khoan vào gạch, bê-tông và đá.
Nó cũng có thể phù hợp cho việc khoan không và đập vào gỗ kim loại, gốm và nhựa.

Nguồn cấp điện

Dụng cụ này chỉ được nối với nguồn cấp điện có điện áp giống như đã chỉ ra trên biển tên và chỉ có thể được vận hành trên nguồn điện AC đơn pha. Chúng được cách điện hai lớp và do đó cũng có thể được sử dụng từ các ổ cắm điện không có dây tiếp đất.

CẢNH BÁO AN TOÀN

Cảnh báo an toàn chung dành cho dụng cụ máy

⚠ CẢNH BÁO: Đọc tất cả các cảnh báo an toàn và tất cả hướng dẫn. Việc không tuân theo các cảnh báo và hướng dẫn có thể dẫn đến điện giật, hỏa hoạn và/hoặc thương tích nghiêm trọng.

Lưu giữ tất cả cảnh báo và hướng dẫn để tham khảo sau này.

Thuật ngữ “dụng cụ máy” trong các cảnh báo đề cập đến dụng cụ máy (có dây) được vận hành bằng nguồn điện chính hoặc dụng cụ máy (không dây) được vận hành bằng pin của bạn.

An toàn tại nơi làm việc

- Giữ nơi làm việc sạch sẽ và có đủ ánh sáng. Nơi làm việc bừa bộn hoặc tối thường dễ gây ra tai nạn.

2. **Không vận hành dụng cụ máy trong môi trường cháy nổ, ví dụ như môi trường có sự hiện diện của các chất lỏng, khí hoặc bụi dễ cháy.** Các dụng cụ máy tạo tia lửa điện có thể làm bụi hoặc khí bốc cháy.
3. **Giữ trẻ em và người ngoài tránh xa nơi làm việc khi đang vận hành dụng cụ máy.** Sự xao lãng có thể khiến bạn mất khả năng kiểm soát.

An toàn về Điện

1. **Phích cắm của dụng cụ máy phải khớp với ổ cắm. Không được sửa đổi phích cắm theo bất kỳ cách nào. Không sử dụng bất kỳ phích chuyển đổi nào với các dụng cụ máy được nối đất (tiếp đất).** Các phích cắm còn nguyên vẹn và ổ cắm phù hợp sẽ giảm nguy cơ điện giật.
2. **Tránh để cơ thể tiếp xúc với các bề mặt nóng đất hoặc tiếp đất như đường ống, bộ tản nhiệt, bếp ga và tủ lạnh.** Nguy cơ bị điện giật sẽ tăng lên nếu cơ thể bạn được nối đất hoặc tiếp đất.
3. **Không để dụng cụ máy tiếp xúc với mưa hoặc trong điều kiện ẩm ướt.** Nước lọt vào dụng cụ máy sẽ làm tăng nguy cơ điện giật.
4. **Không lạm dụng dây điện. Không được phép sử dụng dây để mang, kéo hoặc tháo phích cắm dụng cụ máy. Giữ dây tránh xa nguồn nhiệt, dầu, các mép sắc hoặc các bộ phận chuyển động.** Dây bị hỏng hoặc bị rối sẽ làm tăng nguy cơ điện giật.
5. **Khi vận hành dụng cụ máy ngoài trời, hãy sử dụng dây kéo dài phù hợp cho việc sử dụng ngoài trời.** Việc dùng dây phù hợp cho việc sử dụng ngoài trời sẽ giảm nguy cơ điện giật.
6. **Nếu bắt buộc phải vận hành dụng cụ máy ở nơi ẩm ướt, hãy sử dụng nguồn cấp điện được bảo vệ bằng thiết bị ngắt dòng điện rò (RCD).** Việc sử dụng RCD sẽ làm giảm nguy cơ điện giật.
7. **Chúng tôi luôn khuyến bạn sử dụng nguồn cấp điện qua thiết bị RCD có thể ngắt dòng điện rò định mức 30 mA hoặc thấp hơn.**

An toàn Cá nhân

1. **Luôn tinh táo, quan sát những việc bạn đang làm và sử dụng những phán đoán theo kinh nghiệm khi vận hành dụng cụ máy. Không sử dụng dụng cụ máy khi bạn đang mệt mỏi hoặc chịu ảnh hưởng của ma túy, rượu hay thuốc.** Chỉ một khoảnh khắc không tập trung khi đang vận hành dụng cụ máy cũng có thể dẫn đến thương tích cá nhân nghiêm trọng.
2. **Sử dụng thiết bị bảo hộ cá nhân. Luôn đeo thiết bị bảo vệ mắt.** Các thiết bị bảo hộ như mặt nạ chống bụi, giày an toàn chống trượt, mũ bảo hộ hay thiết bị bảo vệ thính giác được sử dụng trong các điều kiện thích hợp sẽ giúp giảm thương tích cá nhân.
3. **Tránh vô tình khởi động dụng cụ máy. Đảm bảo công tắc ở vị trí off (tắt) trước khi nối nguồn điện và/hoặc bộ pin, cầm hoặc di chuyển dụng cụ máy.** Việc di chuyển dụng cụ máy khi đang đặt ngón tay ở vị trí công tắc hoặc cấp điện cho dụng cụ máy đang bật thường dễ gây ra tai nạn.
4. **Tháo tất cả các khóa hoặc cờ lê điều chỉnh trước khi bật dụng cụ máy.** Việc cờ lê hoặc khóa vẫn còn gắn vào bộ phận quay của dụng cụ máy có thể dẫn đến thương tích cá nhân.

5. **Không vởi quá cao. Luôn giữ thăng bằng tốt và có chỗ để chân phù hợp.** Điều này cho phép điều khiển dụng cụ máy tốt hơn trong những tình huống bất ngờ.
6. **Ăn mặc phù hợp. Không mặc quần áo rộng hay đeo đồ trang sức. Giữ tóc, quần áo và giày tay tránh xa các bộ phận chuyển động.** Quần áo rộng, đồ trang sức hay tóc dài có thể mắc vào các bộ phận chuyển động.
7. **Nếu các thiết bị được cung cấp để kết nối các thiết bị thu gom và hút bụi, hãy đảm bảo chúng được kết nối và sử dụng hợp lý.** Việc sử dụng thiết bị thu gom bụi có thể làm giảm những mối nguy hiểm liên quan đến bụi.

Sử dụng và bảo quản dụng cụ máy

1. **Không dùng lực đối với dụng cụ máy. Sử dụng đúng dụng cụ máy cho công việc của bạn.** Sử dụng đúng dụng cụ máy sẽ giúp thực hiện công việc tốt hơn và an toàn hơn theo giá trị định mức được thiết kế của dụng cụ máy đó.
2. **Không sử dụng dụng cụ máy nếu công tắc không bật và tắt được dụng cụ máy đó.** Mọi dụng cụ máy không thể điều khiển được bằng công tắc đều rất nguy hiểm và phải được sửa chữa.
3. **Rút phích cắm ra khỏi nguồn điện và/hoặc ngắt kết nối bộ pin khỏi dụng cụ máy trước khi thực hiện bất kỳ công việc điều chỉnh, thay đổi phụ tùng hay cắt giữ dụng cụ máy nào.** Những biện pháp an toàn phòng ngừa này sẽ giảm nguy cơ vô tình khởi động dụng cụ máy.
4. **Cắt giữ các dụng cụ máy không sử dụng ngoài tầm với của trẻ em và không cho bất kỳ người nào không có hiểu biết về dụng cụ máy hoặc các hướng dẫn này vận hành dụng cụ máy.** Dụng cụ máy sẽ rất nguy hiểm nếu được sử dụng bởi những người dùng chưa qua đào tạo.
5. **Bảo quản dụng cụ máy. Kiểm tra tình trạng lệch trục hoặc bó kẹt của các bộ phận chuyển động, hiện tượng nứt vỡ của các bộ phận và mọi tình trạng khác mà có thể ảnh hưởng đến hoạt động của dụng cụ máy. Nếu có hỏng hóc, hãy sửa chữa dụng cụ máy trước khi sử dụng.** Nhiều tai nạn xảy ra là do không bảo quản tốt dụng cụ máy.
6. **Luôn giữ cho dụng cụ cắt được sắc bén và sạch sẽ.** Những dụng cụ cắt được bảo quản tốt có mép cắt sắc sẽ ít bị kẹt hơn và dễ điều khiển hơn.
7. **Sử dụng dụng cụ máy, phụ tùng và đầu dụng cụ cắt, v.v... theo các hướng dẫn này, có tính đến điều kiện làm việc và công việc được thực hiện.** Việc sử dụng dụng cụ máy cho các công việc khác với công việc dự định có thể gây nguy hiểm.

Bảo dưỡng

1. **Đề nghị viên sửa chữa đủ trình độ bảo dưỡng dụng cụ máy của bạn và chỉ sử dụng các bộ phận thay thế đồng nhất.** Việc này sẽ đảm bảo duy trì được độ an toàn của dụng cụ máy.
2. **Tuân theo hướng dẫn dành cho việc bôi trơn và thay phụ tùng.**
3. **Giữ tay cầm khô, sạch, không dính dầu và mỡ.**

CẢNH BÁO AN TOÀN MÁY KHOAN BÚA XOAY

1. **Đeo thiết bị bảo vệ tai.** Việc để tai tiếp xúc với tiếng ồn có thể gây giảm thính lực.
2. **Sử dụng tay cầm (các tác cầm) phụ nếu được cung cấp kèm theo dụng cụ.** Việc mất khả năng kiểm soát có thể dẫn đến thương tích cá nhân.
3. **Cầm dụng cụ máy bằng bề mặt kẹp cách điện** khi thực hiện một thao tác trong đó bộ phận cắt có thể tiếp xúc với dây dẫn kín hoặc dây của chính nó. Phụ kiện cắt tiếp xúc với dây dẫn “có điện” có thể khiến các bộ phận kim loại bị hở của dụng cụ máy “có điện” và làm cho người vận hành bị điện giật.
4. **Đội mũ cứng (mũ bảo hộ), mang kính bảo hộ và/hoặc mặt nạ bảo vệ mặt.** Mắt thường hoặc kính râm **KHÔNG** phải là loại kính an toàn. Chúng tôi hết sức khuyến cáo bạn nên mang khẩu trang chống bụi và đeo găng tay có đệm dày.
5. **Đảm bảo rằng đầu mũi được gắn chặt đúng vị trí trước khi vận hành.**
6. Trong điều kiện vận hành bình thường, dụng cụ được thiết kế tạo ra rung động. Các ốc vít có thể dễ dàng bị lỏng dần ra, gây ra hỏng hóc hoặc tai nạn. Kiểm tra kỹ độ chặt của các ốc vít trước khi vận hành.
7. Khi thời tiết lạnh hoặc không sử dụng dụng cụ trong thời gian dài, hãy làm nóng dụng cụ một lúc bằng cách vận hành không tải. Điều này sẽ giúp dầu bôi trơn giãn nở ra. Nếu không được làm nóng đúng cách, thao tác đóng búa sẽ gặp khó khăn.
8. **Luôn chắc chắn rằng bạn có chỗ tựa chân vững chắc.** Đảm bảo rằng không có ai ở bên dưới khi sử dụng dụng cụ ở những vị trí trên cao.
9. **Cầm chắc dụng cụ bằng cả hai tay.**
10. **Giữ tay tránh xa các bộ phận chuyển động.**
11. **Không để mặc dụng cụ hoạt động.** Chỉ vận hành dụng cụ khi cầm trên tay.
12. **Không được chĩa dụng cụ vào bất cứ ai ở gần** khi vận hành dụng cụ. Đầu mũi có thể văng ra ngoài và gây thương tích nghiêm trọng cho ai đó.
13. **Không chạm vào đầu mũi, các bộ phận gần đầu mũi, hoặc phôi gia công ngay sau khi vận hành;** chúng có thể rất nóng và gây bỏng da.
14. **Một số vật liệu có thể chứa hóa chất độc hại.** Phải cẩn trọng tránh hít phải bụi và để tiếp xúc với da. Tuân theo dữ liệu an toàn của nhà cung cấp vật liệu.
15. **Không chạm vào đầu cắm điện bằng tay ướt.**

LƯU GIỮ CÁC HƯỚNG DẪN NÀY.

⚠CẢNH BÁO: KHÔNG vi đã thoải mái hay quen thuộc với sản phẩm (có được do sử dụng nhiều lần) mà không tuân thủ nghiêm ngặt các quy định về an toàn dành cho sản phẩm này. **VIỆC DÙNG SAI** hoặc không tuân theo các quy định về an toàn được nêu trong tài liệu hướng dẫn này có thể dẫn đến thương tích cá nhân nghiêm trọng.

MÔ TẢ CHỨC NĂNG

⚠THẬN TRỌNG: Luôn bảo đảm rằng dụng cụ được tắt điện và rút phích cắm trước khi điều chỉnh hoặc kiểm tra chức năng của dụng cụ.

Hoạt động công tắc

⚠THẬN TRỌNG: Trước khi cắm điện vào dụng cụ, luôn luôn kiểm tra xem cần khởi động công tắc có hoạt động bình thường hay không và trả về vị trí “OFF” (TẮT) khi nhả ra.

⚠THẬN TRỌNG: Công tắc có thể khóa ở vị trí “ON” (BẬT) để người sử dụng tăng độ bền tiện trong quá trình sử dụng kéo dài. Cần hết sức cẩn trọng khi khóa dụng cụ ở vị trí “ON” (BẬT) và phải luôn giữ chặt dụng cụ.

► **Hình1:** 1. Cần khởi động công tắc 2. Nút Nhả khóa

► **Hình2:** 1. Cần khởi động công tắc 2. Nút khóa





Để khởi động dụng cụ, chỉ cần kéo cần khởi động công tắc. Tốc độ của dụng cụ được tăng lên bằng cách tăng áp lực lên cần khởi động công tắc. Nhả cần khởi động công tắc ra để dừng.

Để vận hành liên tục, hãy kéo cần khởi động công tắc, nhấn nút khóa và sau đó nhả cần khởi động công tắc ra. Để dừng dụng cụ từ vị trí đã khóa, hãy kéo cần khởi động công tắc hết mức, sau đó nhả ra.


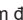
Hoạt động công tắc đảo chiều

⚠THẬN TRỌNG: Luôn luôn kiểm tra hướng xoay trước khi vận hành.

CHÚ Ý: Chỉ sử dụng công tắc đảo chiều sau khi dụng cụ đã dừng hoàn toàn. Việc thay đổi hướng xoay trước khi dụng cụ dừng có thể làm hỏng dụng cụ.

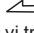

CHÚ Ý: Nếu không thể nhấn cần khởi động công tắc, hãy kiểm tra xem công tắc đảo chiều có được cài đầy đủ vào đúng vị trí  /  (mặt A) hoặc  /  (mặt B) chưa.

Đối với HR2650/HR2651/HR2651T

Dụng cụ này có một công tắc đảo chiều để thay đổi chiều xoay. Di chuyển cần gạt công tắc đảo chiều sang vị trí  (mặt A) để xoay theo chiều kim đồng hồ hoặc sang vị trí  (mặt B) để xoay ngược chiều kim đồng hồ.

► **Hình3:** 1. Cần công tắc đảo chiều

Đối với HR2661

Dụng cụ này có một công tắc đảo chiều để thay đổi chiều xoay. Di chuyển cần công tắc đảo chiều sang  vị trí (mặt A) để xoay theo chiều kim đồng hồ hoặc vị trí  (mặt B) để xoay ngược chiều kim đồng hồ.

► **Hình4:** 1. Cần công tắc đảo chiều

LƯU Ý: Khi vận hành dụng cụ theo chiều xoay ngược kim đồng hồ, cần khởi động công tắc chỉ được kéo một nửa và dụng cụ sẽ hoạt động ở tốc độ một nửa. Khi xoay ngược chiều kim đồng hồ, bạn không thể nhấn nút khóa.



Thay đổi ngàm lắp nhanh cho loại SDS-plus

Đối với HR2651T

Ngàm lắp nhanh cho loại SDS-plus có thể dễ dàng thay đổi sang loại ngàm khoan lắp nhanh.


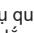

Tháo ngàm lắp nhanh cho loại SDS-plus

⚠ THẬN TRỌNG: Trước khi tháo ngàm lắp nhanh cho loại SDS-plus, hãy đảm bảo tháo đầu mũi ra.

Nắm lấy nắp thay của ngàm lắp nhanh cho loại SDS-plus và xoay theo hướng mũi tên cho đến khi vạch nắp thay di chuyển từ biểu tượng  đến biểu tượng .

Dùng lực kéo mạnh theo hướng mũi tên.
► **Hình5:** 1. Ngàm lắp nhanh cho loại SDS-plus
2. Nắp thay 3. Vạch nắp thay

Lắp ngàm khoan lắp nhanh

Kiểm tra để vạch của ngàm khoan lắp nhanh chỉ biểu tượng . Nắm lấy nắp thay của ngàm khoan lắp nhanh và đặt đến biểu tượng . Đặt ngàm khoan lắp nhanh trên trụ quay của dụng cụ. Nắm lấy nắp thay của ngàm khoan lắp nhanh và xoay vạch nắp thay đến biểu tượng  cho đến khi nào nghe tiếng click vào khớp rõ ràng.

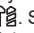
► **Hình6:** 1. Ngàm khoan lắp nhanh 2. Trụ quay
3. Vạch nắp thay 4. Nắp thay

Chọn chế độ hoạt động

CHÚ Ý: Không xoay núm chuyển chế độ hoạt động khi dụng cụ đang chạy. Dụng cụ sẽ bị hư hỏng.

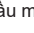
CHÚ Ý: Để tránh mài mòn nhanh đối với cơ cấu chuyển chế độ, đảm bảo rằng núm chuyển chế độ hoạt động phải luôn được đặt đúng một trong ba vị trí chế độ hoạt động.

Khoan đóng búa

Để khoan vào bê tông, hồ vữa, v.v..., hãy xoay núm chuyển chế độ hoạt động sang biểu tượng . Sử dụng đầu mũi khoan có bịt cacbua vonfram (phụ kiện tùy chọn).

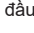
► **Hình7:** 1. Khoan đóng búa 2. Núm thay đổi chế độ hoạt động

Chỉ khoan

Để khoan vào gỗ, kim loại hoặc nguyên liệu nhựa, xoay núm thao tác đến biểu tượng . Sử dụng đầu mũi khoan xoắn hoặc đầu mũi khoan gỗ.

► **Hình8:** 1. Chỉ khoan

Chỉ đóng búa

Để đục phá, đánh vảy hoặc phá hủy, xoay núm chuyển chế độ thao tác đến biểu tượng . Sử dụng đầu đục, mũi đục nguội, mũi đục đánh vảy, v.v...

► **Hình9:** 1. Chỉ đóng búa

Điều chỉnh vị trí vòi xả

Đẩy thanh dẫn vào trong khi nhấn nút điều chỉnh thanh dẫn, rồi sau đó nhả nút tại vị trí mong muốn.

► **Hình10:** 1. thanh dẫn 2. Nút điều chỉnh thanh dẫn

LƯU Ý: Trước khi điều chỉnh vị trí vòi xả, thả vòi xả về phía trước hoàn toàn bằng cách bấm nút điều chỉnh thanh dẫn.

Điều chỉnh độ sâu khoan

Trượt nút điều chỉnh độ sâu đến vị trí mong muốn trong khi vẫn nhấn nút. Khoảng cách (A) là độ sâu khoan.

► **Hình11:** 1. Nút điều chỉnh độ sâu

Bộ phận giới hạn lực vận xiết

CHÚ Ý: Khi bộ phận giới hạn lực vận xiết khởi hoạt, hãy tắt dụng cụ ngay càng sớm khi có thể. Điều này sẽ giúp ngăn ngừa dụng cụ bị mài mòn quá sớm.

CHÚ Ý: Các đầu mũi khoan chẳng hạn như cửa lỗ có khuynh hướng dễ dàng bị kẹt hoặc kẹt vào trong lỗ sẽ không phù hợp với dụng cụ này. Điều này là do chúng sẽ làm cho bộ phận giới hạn lực vận xiết khởi hoạt quá thường xuyên.

Bộ phận giới hạn lực vận xiết sẽ khởi hoạt khi đạt tới một mức lực vận xiết nhất định. Động cơ sẽ được ngắt khởi trực dẫn động. Khi điều này xảy ra, đầu mũi khoan sẽ ngừng xoay.

Móc treo

⚠ THẬN TRỌNG: Đừng bao giờ treo dụng cụ ở vị trí cao hoặc trên bề mặt có khả năng không thăng bằng.

Đối với HR2661

► **Hình12:** 1. Móc treo

Móc treo rất thuận tiện cho việc treo tạm dụng cụ. Để sử dụng móc treo, chỉ đơn giản nhấc móc treo cho đến khi móc treo trượt vào vị trí mở. Khi không sử dụng, luôn hạ móc treo xuống cho đến khi móc treo trượt vào vị trí đóng.

LẮP RÁP

⚠ THẬN TRỌNG: Luôn luôn đảm bảo rằng dụng cụ đã được tắt và tháo phích cắm trước khi dùng dụng cụ thực hiện bất cứ công việc nào.

Tay cầm hông (tay cầm phụ)

⚠ THẬN TRỌNG: Luôn sử dụng tay cầm hông để đảm bảo vận hành an toàn.

⚠ THẬN TRỌNG: Sau khi lắp hoặc điều chỉnh tay cầm bên hông, đảm bảo rằng tay cầm bên hông được giữ chặt.

Lắp đặt tay cầm hông sao cho các rãnh trên tay cầm khớp vào các gờ nhô ra trên nòng kẹp. Xoay tay cầm theo chiều kim đồng hồ để siết chặt. Tay cầm có thể được cố định theo góc nghiêng mong muốn.

► **Hình13:** 1. Tay cầm hông

Dầu mỡ

Phủ lên phía trước phần đuôi của đầu mũi khoan một lượng dầu tra đầu mũi (khoảng 0,5 - 1 g). Chất bôi trơn ngậm này nhằm đảm bảo vận hành trơn chảy và kéo dài tuổi thọ dụng cụ hơn.

Lắp hoặc tháo gỡ mũi khoan

Làm sạch phần đuôi của đầu mũi khoan và tra dầu bôi trơn trước khi lắp mũi khoan.

► **Hình14:** 1. Phần đuôi 2. Dầu mỡ

Lắp đầu mũi khoan vào dụng cụ. Xoay đầu mũi khoan và đẩy vào cho đến khi nó vào khớp. Sau khi lắp đầu mũi khoan, phải luôn đảm bảo rằng đầu mũi khoan được giữ chặt tại chỗ bằng cách thử kéo nó ra.

► **Hình15:** 1. Mũi khoan

Để tháo đầu mũi khoan, kéo nắp ngậm xuống hết mức và kéo đầu mũi khoan ra.

► **Hình16:** 1. Mũi khoan 2. Nắp ngậm

Góc nghiêng đầu mũi đục (khi đập phá, đánh vảy hoặc phá dỡ)

Đầu mũi đục có thể được giữ ở một góc nghiêng mong muốn. Để thay góc nghiêng đầu mũi đục, xoay núm thay đổi chế độ thao tác đến biểu tượng O. Xoay đầu mũi đục về góc nghiêng mong muốn.

► **Hình17:** 1. Núm thay đổi chế độ hoạt động

Xoay núm thay đổi chế độ thao tác đến biểu tượng T. Sau đó đảm bảo rằng mũi đục đã được giữ chắc chắn đúng vị trí bằng cách xoay nhẹ.

Thanh đo sâu

Thanh đo sâu rất thuận tiện để khoan các lỗ có chiều sâu đồng nhất. Vận lòng tay cầm hông và lắp thanh đo sâu vào lỗ trên tay cầm hông. Điều chỉnh thanh đo sâu đến độ sâu mong muốn và vận thật chặt tay cầm hông.

► **Hình18:** 1. Lỗ 2. Thanh đo sâu

LƯU Ý: Đảm bảo rằng thanh đo sâu không chạm vào bộ phận chính của dụng cụ khi gắn.

Lắp hoặc tháo hệ thống thu bụi

Để tháo hệ thống thu bụi, kéo dụng cụ trong khi bấm nút nhà khóa. Để lắp đặt, đưa dụng cụ hết mức vào hệ thống bộ phận thu bụi cho đến khi nó được khóa vào vị trí với một tiếng tách nhỏ.

► **Hình19:** 1. Nút nhà khóa

Ống chứa bụi

Phụ kiện tùy chọn

Sử dụng ống chứa bụi để ngăn ngừa bụi rơi lên dụng cụ và lên người bạn khi thực hiện các thao tác khoan cao quá đầu. Gắn ống chứa bụi và đầu mũi như trình bày trong hình. Kích thước của đầu mũi mà ống chứa bụi có thể gắn vào như sau.

Kiểu	Đường kính đầu mũi
Ống chứa bụi 5	6 mm - 14,5 mm
Ống chứa bụi 9	12 mm - 16 mm

► **Hình20:** 1. Ống chứa bụi

Bộ ống chứa bụi

Phụ kiện tùy chọn

Trước khi lắp bộ ống chứa bụi, hãy tháo đầu mũi khỏi dụng cụ nếu đã được lắp.

Lắp bộ ống chứa bụi vào dụng cụ sao cho biểu tượng Δ trên ống chứa bụi thẳng hàng với các rãnh trên dụng cụ.

► **Hình21:** 1. Biểu tượng Δ 2. Rãnh

LƯU Ý: Nếu bạn kết nối máy hút bụi với bộ ống chứa bụi, tháo nắp chắn bụi trước khi kết nối.

► **Hình22:** 1. Nắp chắn bụi

Để tháo bộ ống chứa bụi, hãy tháo đầu mũi trong khi kéo nắp ngậm theo hướng mũi tên.

► **Hình23:** 1. Đầu mũi 2. Nắp ngậm

Giữ chân ống chứa bụi và kéo nó ra.

► **Hình24**

LƯU Ý: Nếu nắp rơi ra khỏi ống chứa bụi, hãy gắn nó vào mặt khứa hướng lên sao cho rãnh trên nắp khớp vào chu vi trong của phụ kiện.

► **Hình25**

VẬN HÀNH

⚠ THẬN TRỌNG: Luôn sử dụng tay cầm hông (tay cầm phụ) và giữ chặt dụng cụ bằng cả hai tay cầm hông và đổi tay cầm trong lúc vận hành.

⚠ THẬN TRỌNG: Luôn đảm bảo rằng phôi gia công được cố định trước khi vận hành.

⚠ THẬN TRỌNG: Hệ thống thu bụi chỉ dành cho khoan bê tông. Không được sử dụng hệ thống thu bụi cho việc khoan kim loại hoặc gỗ.

⚠ THẬN TRỌNG: Khi sử dụng dụng cụ với hệ thống thu bụi, hãy đảm bảo gắn bộ lọc vào hệ thống thu bụi để tránh hít phải bụi.

⚠ THẬN TRỌNG: Trước khi sử dụng hệ thống thu bụi, kiểm tra xem bộ lọc có hỏng hóc không. Không làm như vậy có thể khiến bạn hít phải bụi vào phổi.

⚠ THẬN TRỌNG: Hệ thống thu bụi thu gom bụi tạo ra với tỷ lệ đáng kể, nhưng không thu hết được toàn bộ bụi.


CHÚ Ý: Không được sử dụng hệ thống thu bụi cho việc đục hoặc khoan lõi.

CHÚ Ý: Không sử dụng hệ thống thu bụi cho việc khoan bê tông ướt hoặc sử dụng hệ thống này trong môi trường ẩm ướt. Không làm như vậy có thể gây ra sự cố.

► **Hình26**

Thao tác khoan búa

⚠ THẬN TRỌNG: Sẽ có lực xoắn rất lớn và bất ngờ trên dụng cụ/đầu mũi khoan khi lỗ khoan được xuyên thủng, vào lúc đó, lỗ khoan bắt đầu bị kẹt bởi các mảnh vụn và hạt hoặc khi dụng cụ vào các thép gia cường có trong bê-tông. Luôn sử dụng tay cầm hông (tay cầm phụ) và giữ chặt dụng cụ bằng cả hai tay cầm hông và đổi tay cầm trong lúc vận hành. Không làm như vậy có thể mất điều khiển dụng cụ và gây thương tích nghiêm trọng.


Cài núm chuyển chế độ đến biểu tượng .

Định vị đầu mũi khoan vào vị trí mong muốn cho lỗ khoan, sau đó kéo cần khởi động công tắc. Không dùng lực đối với dụng cụ. Ấn nhẹ sẽ mang lại kết quả tốt nhất. Giữ cho dụng cụ ở đúng vị trí và ngăn không bị trượt khỏi lỗ khoan.

Không được ấn mạnh khi lỗ khoan bắt đầu bị nghẽn bởi các mảnh vụn và các hạt. Thay vào đó, hãy chạy dụng cụ ở chế độ chờ, sau đó tháo riêng đầu mũi khoan ra khỏi lỗ. Bằng cách lặp lại thao tác này vài lần, lỗ khoan sẽ được sạch sẽ và có thể tiếp tục khoan bình thường.

LƯU Ý: Có thể bị lệch tâm khi xoay đầu mũi khoan trong lúc vận hành dụng cụ không tải. Dụng cụ sẽ tự động chỉnh đúng tâm trong lúc vận hành. Điều này không ảnh hưởng đến độ chính xác khi khoan.

Đục/Đập/Phá hủy

Cài núm chuyển chế độ đến biểu tượng .

Cầm chắc dụng cụ bằng cả hai tay. Bật dụng cụ lên và nắm giữ dụng cụ với lực vừa đủ sao cho dụng cụ không bị rung bật, không kiểm soát được.

Việc ấn mạnh lên dụng cụ sẽ không làm tăng hiệu quả sử dụng.

► **Hình27**

Khoan vào gỗ hoặc kim loại

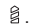
⚠ THẬN TRỌNG: Giữ chặt dụng cụ và chuẩn bị ghim lực quán tính lại khi mũi khoan xuyên thủng phôi gia công. Sẽ có lực quán tính rất lớn tác động lên dụng cụ/đầu mũi khoan khi lỗ khoan được xuyên thủng.

⚠ THẬN TRỌNG: Đầu mũi khoan bị kẹt có thể được tháo ra đơn giản bằng cách đặt công tắc đảo chiều sang chế độ xoay ngược lại để rút mũi khoan ra. Tuy nhiên, dụng cụ có thể quay ngược ra bất ngờ nếu bạn không giữ chặt.

⚠ THẬN TRỌNG: Luôn luôn giữ chặt các phôi gia công bằng kim hoặc dụng cụ kẹp tương tự.

CHÚ Ý: Không bao giờ sử dụng chế độ “khoan đóng búa” khi ngàm khoan được lắp trên dụng cụ. Ngàm khoan có thể bị hỏng. Ngoài ra, ngàm khoan sẽ rơi ra khi đảo chiều xoay dụng cụ.

CHÚ Ý: Nhấn dụng cụ quá mức sẽ không tăng tốc độ khoan lên được. Trên thực tế, việc nhấn mạnh thêm này sẽ chỉ gây hỏng đầu mũi khoan của bạn, làm giảm hiệu năng và tuổi thọ hoạt động của dụng cụ.

Cài núm chuyển chế độ đến biểu tượng .

Đối với HR2650/HR2651/HR2661

Phụ kiện tùy chọn

Gắn thanh dẫn ngàm vào ngàm khoan không cần khóa để vít cỡ 1/2"-20 có thể lắp vào, rồi sau đó lắp chúng vào dụng cụ. Tham khảo phần “Lắp hoặc tháo đầu mũi khoan” khi lắp đặt.

► **Hình28:** 1. Ngàm khoan không cần khóa 2. Thanh dẫn ngàm

Đổi với HR2651T

Sử dụng ngàm khoan lắp nhanh làm thiết bị tiêu chuẩn. Khi lắp đặt, hãy tham khảo phần "thay đổi ngàm lắp nhanh cho loại SDS-plus".


Giữ vòng và xoay trụ ngoài ngược chiều kim đồng hồ để mở các mẫu ngàm kẹp. Đặt đầu mũi vào trong ngàm kẹp hết mức có thể. Giữ chặt vòng và xoay trụ ngoài theo chiều kim đồng hồ để vận chặt ngàm.

► **Hình29:** 1. Trụ ngoài 2. Vòng

Để tháo mũi khoan, giữ vòng và xoay trụ ngoài ngược chiều kim đồng hồ.

Khoan bằng lõi kim cương

CHÚ Ý: Nếu thực hiện các thao tác khoan bằng lõi kim cương ở chế độ "khoan đóng búa", lõi kim cương có thể bị hư hỏng.

Khi tiến hành hoạt động khoan bằng lõi kim cương, luôn đặt núm chuyển chế độ hoạt động về vị trí  để sử dụng thao tác "chỉ khoan".

Thải bụi

⚠ THẬN TRỌNG: Luôn luôn đảm bảo rằng dụng cụ đã được tắt và tháo phích cắm trước khi dùng dụng cụ thực hiện bất cứ công việc nào.

⚠ THẬN TRỌNG: Hãy chắc chắn đeo mặt nạ chống bụi khi thải bụi.

⚠ THẬN TRỌNG: Thường xuyên đổ hộp chứa bụi trước khi hộp chứa bụi đầy. Không làm như vậy có thể làm giảm hiệu suất thu bụi và khiến bạn bị hít bụi vào phổi.

⚠ THẬN TRỌNG: Hiệu suất thu bụi sẽ giảm nếu bộ lọc trong hộp chứa bụi bị tắc. Thay thế bộ lọc mới sau khoảng 200 lần thu bụi như hướng dẫn. Không làm như vậy có thể khiến bạn hít phải bụi vào phổi.

1. Tháo hộp chứa bụi trong khi vẫn nhấn cần của hộp chứa bụi xuống.

► **Hình30:** 1. Cần gạt

2. Mở nắp hộp chứa bụi.

► **Hình31:** 1. Nắp che

3. Thải bỏ bụi, sau đó làm sạch bộ lọc.

► **Hình32**

CHÚ Ý: Khi làm sạch bộ lọc, không chạm vào bộ lọc bằng bàn chải hoặc vật tương tự, hoặc thổi khí nén lên bộ lọc. Làm như vậy có thể làm hỏng bộ lọc.

Bóng thổi khí

Phụ kiện tùy chọn

Sau khi khoan lỗ, sử dụng bóng thổi khí để vệ sinh bụi bắn ra khỏi lỗ.

► **Hình33**

Sử dụng bộ ống chứa bụi

Phụ kiện tùy chọn

Gắn bộ ống chứa bụi áp vào trần nhà khi vận hành dụng cụ.

► **Hình34**

CHÚ Ý: Không sử dụng bộ ống chứa bụi khi khoan vào kim loại hoặc vật tương tự. Điều này có thể làm hư hỏng bộ ống chứa bụi do nhiệt sinh ra bởi các bụi kim loại nhỏ hoặc vật tương tự.

CHÚ Ý: Không lắp hoặc tháo bộ ống chứa bụi bằng mũi khoan gắn trong dụng cụ. Điều này có thể làm hỏng bộ ống chứa bụi và gây rò rỉ bụi.

BẢO TRÌ

⚠ THẬN TRỌNG: Luôn bảo đảm rằng dụng cụ được tắt điện và rút phích cắm trước khi thử thực hiện việc kiểm tra hoặc bảo trì.

CHÚ Ý: Không được phép dùng xăng, ét xăng, dung môi, cồn hoặc hóa chất tương tự. Có thể xảy ra hiện tượng mất màu, biến dạng hoặc nứt vỡ.

Để đảm bảo ĐỘ AN TOÀN và ĐỘ TIN CẬY của sản phẩm, việc sửa chữa hoặc bất cứ thao tác bảo trì, điều chỉnh nào đều phải được thực hiện bởi các Trung tâm Dịch vụ Nhà máy hoặc Trung tâm được Makita Ủy quyền và luôn sử dụng các phụ tùng thiết bị thay thế của Makita.

Thay thế bộ lọc của hộp chứa bụi

1. Tháo hộp chứa bụi trong khi vẫn nhấn cần của hộp chứa bụi xuống.

► **Hình35:** 1. Cần gạt

2. Chèn máy vận vít lưỡi phẳng vào giữa hộp bộ lọc và nắp đậy hộp chứa bụi như minh họa trong hình. Trong khi nhấn và uốn cong các mặt bên của hộp bộ lọc, dùng máy vận vít lưỡi phẳng để nhấc hộp bộ lọc lên và tháo ra.

► **Hình36:** 1. Máy bắt vít đầu dẹp 2. Hộp bộ lọc 3. Nắp đậy hộp chứa bụi

3. Để tháo bộ lọc khỏi hộp bộ lọc, hãy lật ngược hộp bộ lọc lên và đẩy bộ lọc như minh họa trong hình.

► **Hình37:** 1. Bộ lọc 2. Hộp bộ lọc

4. Gắn bộ lọc mới vào hộp bộ lọc, rồi sau đó lắp chúng vào hộp chứa bụi, xếp thẳng phần nhô ra của hộp bộ lọc với rãnh trên hộp chứa bụi.

► **Hình38:** 1. Phần nhô ra 2. Rãnh

5. Đóng nắp hộp chứa bụi, và lắp nó vào dụng cụ.

Thay thế nắp đậy kín

Nếu nắp đậy kín bị mòn, hiệu suất thu bụi sẽ bị giảm.

Hãy thay thế nếu nó bị mòn.

Tháo nắp đậy kín, sau đó lắp cái mới vào với phần nhỏ ra hướng lên trên.

► **Hình39:** 1. Phần nhỏ ra 2. Nắp đậy kín

PHỤ KIỆN TỰ CHỌN

⚠ THẬN TRỌNG: Các phụ kiện hoặc phụ tùng gắn thêm này được khuyến cáo sử dụng với dụng cụ Makita của bạn theo như quy định trong hướng dẫn này. Việc sử dụng bất cứ phụ kiện hoặc phụ tùng gắn thêm nào khác đều có thể gây ra rủi ro thương tích cho người. Chỉ sử dụng phụ kiện hoặc phụ tùng gắn thêm cho mục đích đã quy định sẵn của chúng.

Nếu bạn cần bất kỳ sự hỗ trợ nào để biết thêm chi tiết về các phụ tùng này, hãy hỏi Trung tâm Dịch vụ của Makita tại địa phương của bạn.

- Đầu mũi khoan có bịt cacbua (Đầu mũi bịt SDS-Plus cacbua)
- Đầu mũi lõi
- Đầu đục
- Đầu mũi lõi kim cương
- Mũi đục nguội
- Mũi đục đánh vẩy
- Mũi đục rãnh
- Thanh dẫn ngàm
- Ngàm khoan không cần khóa
- Dầu tra đầu mũi
- Thanh đo sâu
- Bóng thổi khí
- Ống chứa bụi
- Bộ ống chứa bụi
- Kính bảo hộ
- Hộp nhựa chứa dụng cụ

LƯU Ý: Một số mục trong danh sách có thể được bao gồm trong gói dụng cụ làm phụ kiện tiêu chuẩn. Các mục này ở mỗi quốc gia có thể khác nhau.



ข้อมูลจำเพาะ

รุ่น:		HR2650	HR2651	HR2651T	HR2661
ความสามารถ	คอนกรีต	26 mm			
	แกนดอกสว่าน	68 mm			
	ดอกสว่านแกนเพชร (ชนิดแห้ง)	80 mm			
	โลหะ	13 mm			
	ไม้	32 mm			
ความเร็วหมุนเปล่า	0 - 1,200 min ⁻¹			0 - 1,100 min ⁻¹	
อัตราเจาะกระแทกต่อนาที	0 - 4,600 min ⁻¹			0 - 4,500 min ⁻¹	
ความยาวโดยรวม	604 mm			630 mm	666 mm
น้ำหนักสุทธิ	3.0 - 4.1 kg	3.1 - 4.2 kg	3.2 - 4.4 kg	3.3 - 4.4 kg	
มาตรฐานความปลอดภัย	II/II				

- เนื่องจากการค้นคว้าวิจัยและพัฒนาอย่างต่อเนื่อง ข้อมูลจำเพาะในเอกสารฉบับนี้อาจเปลี่ยนแปลงได้โดยไม่ต้องแจ้งให้ทราบล่วงหน้า
- ข้อมูลจำเพาะอาจแตกต่างกันไปในแต่ละประเทศ
- น้ำหนักอาจแตกต่างกันไปตามอุปกรณ์เสริม การติดอุปกรณ์เสริมที่เบาที่สุดและหนักที่สุดตามข้อบังคับของ EPTA 01/2014 มีแสดงอยู่ในตาราง

สัญลักษณ์

ต่อไปนี้เป็นสัญลักษณ์ที่อาจใช้สำหรับอุปกรณ์ โปรดศึกษาความหมายของสัญลักษณ์ให้เข้าใจก่อนการใช้งาน

	อ่านคู่มือการใช้งาน
	ฉนวนสองชั้น



สำหรับประเทศในสหภาพยุโรปเท่านั้น
เนื่องจากในอุปกรณ์มีส่วนประกอบอันตราย อุปกรณ์ไฟฟ้าและอิเล็กทรอนิกส์ที่ใช้แล้วจึงอาจส่งผลต่อสิ่งแวดล้อมและสุขภาพของมนุษย์ในเชิงลบ
อย่าทิ้งเครื่องใช้ไฟฟ้าและอิเล็กทรอนิกส์ร่วมกับวัสดุเหลือทิ้งในครัวเรือน!
เพื่อให้เป็นไปตามกฎระเบียบของยุโรปว่าด้วยขยะจากอุปกรณ์ไฟฟ้าและอิเล็กทรอนิกส์ รวมถึงการบังคับใช้ตามกฎหมายภายในประเทศ ควรมีการจัดเก็บอุปกรณ์ไฟฟ้าและอิเล็กทรอนิกส์ที่ใช้แล้วแยกต่างหากและส่งไปยังจุดรับขยะต่างหากในเขตเทศบาลซึ่งมีการดำเนินการตามระเบียบว่าด้วยการดูแลสิ่งแวดล้อมโดยระบุด้วยสัญลักษณ์เส้นคาดขวางรูปถังขยะแบบมีล้อไว้บนอุปกรณ์

จุดประสงค์การใช้งาน

เครื่องมือนี้ใช้สำหรับการเจาะกระแทกและการเจาะอิฐ คอนกรีต หิน

เครื่องมือนี้ยังเหมาะสมกับงานเจาะแบบไร้แรงกระแทกบนไม้ เหล็ก เซรามิก และพลาสติกด้วย

แหล่งจ่ายไฟ

ควรเชื่อมต่อเครื่องมือกับแหล่งจ่ายไฟที่มีแรงดันไฟฟ้าตามที่ระบุไว้ในป้ายข้อมูลของเครื่องมือ และจะต้องใช้ไฟฟ้ากระแสสลับแบบเฟสเดียวเท่านั้น อุปกรณ์นี้ได้รับการคุ้มครองสองชั้นและสามารถใช้กับปลั๊กไฟที่ไม่มีสายดินได้

คำเตือนด้านความปลอดภัย

คำเตือนด้านความปลอดภัยของเครื่องมือไฟฟ้าทั่วไป

⚠ คำเตือน: อ่านคำเตือนด้านความปลอดภัยและคำแนะนำทั้งหมด การไม่ปฏิบัติตามคำเตือนและคำแนะนำดังกล่าวอาจส่งผลให้ไฟฟ้าช็อต ไฟไหม้ และ/หรือได้รับบาดเจ็บร้ายแรง

เก็บรักษาคำเตือนและคำแนะนำทั้งหมดไว้เป็นข้อมูลอ้างอิงในอนาคต

คำว่า “เครื่องมือไฟฟ้า” ในคำเตือนนี้หมายถึงเครื่องมือไฟฟ้า (มีสาย) ที่ทำงานโดยใช้กระแสไฟฟ้าหรือเครื่องมือไฟฟ้า (ไร้สาย) ที่ทำงานโดยใช้แบตเตอรี่

ความปลอดภัยของพื้นที่ทำงาน

1. ดูแลพื้นที่ทำงานให้มีความสะอาดและมีแสงไฟสว่าง พื้นที่ที่รกกระเถอะหรือมีสิ่งกีดขวางนำไปสู่การเกิดอุบัติเหตุได้
2. อย่าใช้งานเครื่องมือไฟฟ้าในสภาพที่อาจเกิดการระเบิด เช่น ในสถานที่ที่มีของเหลว ก๊าซ หรือฝุ่นผงที่มีคุณสมบัติไวไฟ เครื่องมือไฟฟ้าอาจสร้างประกายไฟและจุดชนวนฝุ่นผงหรือก๊าซดังกล่าว
3. ดูแลไม่ให้มีเด็กๆ หรือบุคคลอื่นอยู่ในบริเวณที่กำลังใช้เครื่องมือไฟฟ้า การมีสิ่งรบกวนสมาธิอาจทำให้คุณสูญเสียการควบคุม

ความปลอดภัยด้านไฟฟ้า

1. ปลั๊กของเครื่องมือไฟฟ้าต้องพอดีกับเต้ารับ อย่าดัดแปลงปลั๊กไม่ว่ากรณีใดๆ อย่าใช้ปลั๊กอะแดปเตอร์กับเครื่องมือไฟฟ้าที่ต่อสายดิน ปลั๊กที่ไม่ถูกดัดแปลงและเต้ารับที่เข้ากันพอดีจะช่วยลดความเสี่ยงของการเกิดไฟฟ้าช็อต
2. ระวังอย่าให้ร่างกายสัมผัสกับพื้นผิวที่ต่อสายดิน เช่น ท่อ เครื่องนำความร้อน เตาหุงต้ม และตู้เย็น มีความเสี่ยงที่จะเกิดไฟฟ้าช็อตสูงขึ้น หากร่างกายของคุณสัมผัสกับพื้น
3. อย่าให้เครื่องมือไฟฟ้าถูกน้ำหรืออยู่ในสภาพเปียกชื้น น้ำที่ไหลเข้าไปในเครื่องมือไฟฟ้าจะเพิ่มความเสี่ยงของการเกิดไฟฟ้าช็อต
4. อย่าใช้สายไฟอย่างไม่เหมาะสม อย่าใช้สายไฟเพื่อยก ดึง หรือถอดปลั๊กเครื่องมือไฟฟ้า เก็บสายไฟให้ห่างจากความร้อน น้ำมัน ของมีคม หรือชิ้นส่วนที่เคลื่อนที่ สายที่ชำรุดหรือพันกันจะเพิ่มความเสี่ยงของการเกิดไฟฟ้าช็อต
5. ขณะที่ใช้งานเครื่องมือไฟฟ้านอกอาคาร ควรใช้สายต่อพ่วงที่เหมาะสมกับงานภายนอกอาคาร การใช้สายที่เหมาะสมกับงานภายนอกอาคารจะลดความเสี่ยงของการเกิดไฟฟ้าช็อต
6. หากต้องใช้งานเครื่องมือไฟฟ้าในสถานที่เปียกชื้น ให้ใช้อุปกรณ์ป้องกันกระแสไฟรั่ว (RCD) การใช้ RCD จะลดความเสี่ยงของการเกิดไฟฟ้าช็อต
7. แนะนำให้ใช้แหล่งจ่ายไฟผ่าน RCD ที่มีกระแสไฟรั่วในอัตราไม่เกิน 30 mA เสมอ

ความปลอดภัยส่วนบุคคล

1. ให้ระมัดระวังและมึสติอยู่เสมอขณะใช้งานเครื่องมือไฟฟ้า อย่าใช้งานเครื่องมือไฟฟ้าในขณะที่คุณกำลังเหนื่อย หรือในสภาพที่มึนเมาจากยาเสพติด เครื่องดื่ม แอลกอฮอล์ หรือการเฝ้าไข้ ช่วงเวลาที่ขาดความระมัดระวังเมื่อกำลังใช้งานเครื่องมือไฟฟ้าอาจทำให้ได้รับบาดเจ็บร้ายแรง
2. ใช้อุปกรณ์ป้องกันส่วนบุคคล สวมแว่นตาป้องกันเสมอ อุปกรณ์ป้องกัน เช่น หน้ากากกันฝุ่น รองเท้านิรภัย กันสั่น หมวกนิรภัย หรือเครื่องป้องกันการได้ยินที่ใช้ในสภาพที่เหมาะสมจะช่วยลดการบาดเจ็บ

- ป้องกันไม่ให้เกิดการเปิดใช้งานโดยไม่ตั้งใจ ตรวจสอบให้แน่ใจว่าสวิตช์ปิดอยู่ก่อนที่จะเชื่อมต่อกับแหล่งจ่ายไฟ และ/หรือชุดแบตเตอรี่ รวมทั้งตรวจสอบก่อนการยกหรือเคลื่อนย้ายเครื่องมือ การถอดหัวมีอับบริเวณสวิตช์เพื่อถื่อเครื่องมือไฟฟ้า หรือการชาร์จไฟเครื่องมือไฟฟ้าในขณะที่เปิดสวิตช์อยู่อาจนำไปสู่การเกิดอุบัติเหตุ
- นำกุญแจปรับตั้งหรือประแจออกก่อนที่จะเปิดเครื่องมือไฟฟ้า ประแจหรือกุญแจที่เสียบค้างอยู่ในชิ้นส่วนที่หมุนได้ของเครื่องมือไฟฟ้าอาจทำให้ได้รับบาดเจ็บ
- อย่าทำงานในระยะที่สุดเอื่อม จัดท่าการยืนและการทรงตัวให้เหมาะสมตลอดเวลา เพราะจะทำให้ควบคุมเครื่องมือไฟฟ้าได้ดีขึ้นในสถานการณ์ที่ไม่คาดคิด
- แต่งกายให้เหมาะสม อย่าสวมเครื่องแต่งกายที่หลวมเกินไป หรือสวมเครื่องประดับ ดูแลไม่ให้เส้นผม เสื้อผ้า และถุงมืออยู่ใกล้ชิ้นส่วนที่เคลื่อนที่ เสื้อผ้า รุ่มร่าม เครื่องประดับ หรือผมที่มีความยาวอาจเข้าไปติดในชิ้นส่วนที่เคลื่อนที่
- หากมีการจัดอุปกรณ์สำหรับตัดและจัดเก็บฝุ่นไว้ในสถานที่ ให้ตรวจสอบว่าได้เชื่อมต่อและใช้งานอุปกรณ์นั้นอย่างเหมาะสม การใช้เครื่องดูดและจัดเก็บฝุ่นจะช่วยลดอันตรายที่เกิดจากฝุ่นผงได้

การใช้และดูแลเครื่องมือไฟฟ้า

- อย่าคืนใช้เครื่องมือไฟฟ้า ใช้เครื่องมือไฟฟ้าที่เหมาะสมกับการใช้งานของคุณ เครื่องมือไฟฟ้าที่เหมาะสมจะทำให้ได้งานที่มีประสิทธิภาพและปลอดภัยกว่าตามขีดความสามารถของเครื่องที่ได้รับการออกแบบมา
- อย่าใช้เครื่องมือไฟฟ้า หากสวิตช์ไม่สามารถเปิดปิดได้ เครื่องมือไฟฟ้าที่ควบคุมด้วยสวิตช์ไม่ได้เป็นสิ่งอันตรายและต้องได้รับการซ่อมแซม
- ถอดปลั๊กจากแหล่งจ่ายไฟ และ/หรือชุดแบตเตอรี่ออกจากเครื่องมือไฟฟ้าก่อนทำการปรับตั้ง เปลี่ยนอุปกรณ์เสริม หรือจัดเก็บเครื่องมือไฟฟ้า วิธีการป้องกันด้านความปลอดภัยดังกล่าวจะช่วยลดความเสี่ยงของการเปิดใช้งานเครื่องมือไฟฟ้าอย่างไม่ตั้งใจ
- จัดเก็บเครื่องมือไฟฟ้าที่ไม่ได้ใช้งานให้ห่างจากมือเด็ก และอย่าอนุญาตให้บุคคลที่ไม่คุ้นเคยกับเครื่องมือไฟฟ้าหรือคำแนะนำเหล่านี้ใช้งานเครื่องมือไฟฟ้า เครื่องมือไฟฟ้าจะเป็นอันตรายเมื่ออยู่ในมือของผู้ที่ไม่ได้รับการฝึกอบรม

- การดูแลรักษาเครื่องมือไฟฟ้า ตรวจสอบการประกอบที่ไม่ถูกต้องหรือการเชื่อมต่อของชิ้นส่วนที่เคลื่อนที่ การแตกหักของชิ้นส่วน หรือสภาพอื่น ๆ ที่อาจส่งผลกระทบต่อการทำงานของเครื่องมือไฟฟ้า หากมีความเสียหาย ให้นำเครื่องมือไฟฟ้าไปซ่อมแซมก่อนการใช้งาน อุบัติเหตุจำนวนมากเกิดจากการดูแลรักษาเครื่องมือไฟฟ้าอย่างไม่ถูกต้อง
- ทำความสะอาดเครื่องมือตัดและลับให้คมอยู่เสมอ เครื่องมือการตัดที่มีการดูแลอย่างถูกต้องและมีขอบการตัดคมมักจะมีปัญหาติดขัดน้อยและควบคุมได้ง่ายกว่า
- ใช้เครื่องมือไฟฟ้า อุปกรณ์เสริม และวัสดุสิ้นเปลือง ฯลฯ ตามคำแนะนำดังกล่าว พิจารณาสภาพการทำงานและงานที่จะลงมือทำ การใช้เครื่องมือไฟฟ้าเพื่อทำงานอื่นนอกเหนือจากที่กำหนดไว้อาจทำให้เกิดอันตราย

การซ่อมบำรุง

- นำเครื่องมือไฟฟ้าเข้ารับบริการจากช่างซ่อมที่ผ่านการรับรองโดยช่างไหลแบบเดียวกันเท่านั้น เพราะจะทำให้การใช้เครื่องมือไฟฟ้ามีความปลอดภัย
- ปฏิบัติตามคำแนะนำในการหล่อลื่นและการเปลี่ยนอุปกรณ์เสริม
- ดูแลเมื่อจับให้แห้ง สะอาด และไม่มีน้ำมันและจาระบีเปื้อน

คำเตือนด้านความปลอดภัยของส่วนเจาะ กระแทกแบบโรตารี

- สวมใส่อุปกรณ์ป้องกันเสียง เสียงที่ดังเกินขนาดอาจทำให้สูญเสียการได้ยิน
- ใช้มือจับเสริม หากมีมากับเครื่องมือ การสูญเสียการควบคุมอาจทำให้ได้รับบาดเจ็บ
- ถือเครื่องมือบริเวณมือจับที่เป็นฉนวน ขณะทำงานที่เครื่องมือตัดอาจสัมผัสกับสายไฟที่ซ่อนอยู่หรือสายไฟของเครื่องเอง เครื่องมือตัดที่สัมผัสกับสายไฟที่ “มีกระแสไฟฟ้าไหลผ่าน” อาจทำให้ส่วนที่เป็นโลหะของเครื่องมือไฟฟ้าที่ไม่ฉนวนหุ้ม “มีกระแสไฟฟ้าไหลผ่าน” และทำให้ผู้ปฏิบัติงานถูกไฟฟ้าช็อตได้
- สวมหมวกแข็ง (หมวกนิรภัย) แวนนิรภัย และ/หรือ หน้ากากป้องกัน แวนตาปัดหรือแว่นกันแดดไม่ใช่แว่นนิรภัย และขอแนะนำอย่างยิ่งให้สวมหน้ากากกันฝุ่นและถุงมือหนาๆ
- ตรวจสอบให้แน่ใจว่าดอกสว่านยึดแน่นเข้าที่ดีแล้วก่อนการใช้งาน

6. ภายใต้การทำงานปกติ เครื่องมือได้รับการออกแบบมาเพื่อสร้างแรงสั่นสะเทือน ดังนั้น สกรูต่างๆ จะหลวมได้ง่าย ซึ่งอาจทำให้เครื่องเสียหรือเกิดอุบัติเหตุ ตรวจสอบให้แน่ใจว่าขันสกรูแน่นดีแล้วก่อนการใช้งาน
7. ในสภาพอากาศหนาวหรือเมื่อไม่มีการใช้เครื่องมือเป็นระยะเวลานาน ต้องอุ่นเครื่องมือสักครู่โดยการเปิดเครื่องทิ้งไว้เฉยๆ เพื่อให้มีการหล่อลื่น หากไม่มีการอุ่นเครื่องมืออย่างเหมาะสม การเจาะสกัดจะทำได้ยาก
8. ตรวจสอบให้แน่ใจว่าได้เย็นอย่างมั่นคง หากใช้งานเครื่องมือในพื้นที่สูง ระวังอย่าให้มือคนอยู่ด้านล่าง
9. จับเครื่องมือให้แน่นด้วยมือทั้งสองข้าง
10. ระวังอย่าให้มือสัมผัสกับชิ้นส่วนที่เคลื่อนที่
11. อย่าปล่อยให้เครื่องมือทำงานค้างไว้ ใช้งานเครื่องมือในขณะที่ถืออยู่เท่านั้น
12. อย่าใช้เครื่องมือชี้ไปที่บุคคลใดในพื้นที่ทำงานขณะใช้งาน ดอกสว่านอาจกระเด็นออกและทำให้ได้รับบาดเจ็บร้ายแรง
13. อย่าสัมผัสดอกสว่าน ชิ้นส่วนที่ใกล้กับดอกสว่าน หรือชิ้นงานทันทีหลังเริ่มใช้งาน เนื่องจากอาจมีความร้อนสูงและไหม้ผิวของคุณได้
14. วัสดุบางอย่างอาจมีสารเคมีที่เป็นพิษ ระวังอย่าสูดดมฝุ่นหรือสัมผัสกับผิวหนัง ปฏิบัติตามข้อมูลด้านความปลอดภัยของผู้ผลิตวัสดุ
15. อย่าจับปลั๊กไฟด้วยมือที่เปียก

ปฏิบัติตามคำแนะนำเหล่านี้

คำเตือน: อย่าให้ความไม่ระมัดระวังหรือความคุ้นเคยกับผลิตภัณฑ์ (จากการใช้งานซ้ำหลายครั้ง) อยู่เหนือการปฏิบัติตามกฎเกณฑ์ด้านความปลอดภัยในการใช้งาน ผลิตภัณฑ์อย่างเคร่งครัด การใช้งานอย่างไม่เหมาะสมหรือการไม่ปฏิบัติตามกฎเกณฑ์ด้านความปลอดภัยในคู่มือการใช้งานนี้อาจทำให้ได้รับบาดเจ็บร้ายแรง

คำอธิบายการทำงาน

ข้อควรระวัง: ตรวจสอบให้แน่ใจว่าได้ปิดสวิตช์เครื่องมือและถอดปลั๊กออกก่อนปรับตั้งหรือตรวจสอบการทำงานของเครื่องมือ

การทำงานของสวิตช์

ข้อควรระวัง: ก่อนเสียบปลั๊กเครื่องมือ ให้ตรวจสอบว่าสวิตช์สั่งงานสามารถทำงานได้อย่างถูกต้อง และกลับไปยังตำแหน่ง "OFF" เมื่อปล่อย

ข้อควรระวัง: สวิตช์สามารถล็อกในตำแหน่ง "ON" เพื่อช่วยให้สะดวกในการใช้งานอย่างต่อเนื่อง ใช้ความระมัดระวังเมื่อล็อกสวิตช์เครื่องมือในตำแหน่ง "ON" และจับเครื่องมือให้แน่นตลอดเวลา

► หมายเลข 1: 1. สวิตช์สั่งงาน 2. ปุ่มปลดล็อก

► หมายเลข 2: 1. สวิตช์สั่งงาน 2. ปุ่มล็อก

เมื่อต้องการเปิดใช้เครื่องมือ ให้ดึงสวิตช์สั่งงาน ความเร็วเครื่องมือจะเพิ่มขึ้นเมื่อออกแรงกดที่สวิตช์สั่งงาน ปล่อยสวิตช์สั่งงานเพื่อหยุดทำงาน

ถ้าต้องการใช้งานอย่างต่อเนื่อง ดึงสวิตช์สั่งงาน กดปุ่มล็อก แล้วปล่อยสวิตช์สั่งงาน ถ้าต้องการเลิกใช้งานเครื่องมือในตำแหน่งล็อก ให้ดึงสวิตช์สั่งงานจนสุด จากนั้นปล่อยสวิตช์

การใช้งานสวิตช์เปลี่ยนทิศทาง

ข้อควรระวัง: ตรวจสอบทิศทางการหมุนก่อนการใช้งานเสมอ

ข้อสังเกต: ใช้สวิตช์เปลี่ยนทิศทางหลังจากเครื่องมือหยุดสนิทแล้วเท่านั้น การเปลี่ยนทิศทางการหมุนก่อนเครื่องมือหยุดสนิทอาจทำให้เครื่องมือเสียหายได้


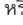
ข้อสังเกต: ถักดสวิตช์สั่งงานไม่ลง ให้ดูว่าสวิตช์เปลี่ยนทิศทางอยู่ในตำแหน่ง ◁ / ▷ (ด้าน A) หรือ ▷ / ▷ (ด้าน B) หรือไม่

สำหรับ HR2650/HR2651/HR2651T

เครื่องมือนี้มีสวิตช์เปลี่ยนทิศทาง เพื่อใช้เปลี่ยนทิศทางการหมุน ปรับก้านสวิตช์เปลี่ยนทิศทางไปที่ตำแหน่ง ◁ (ด้าน A) สำหรับการหมุนตามเข็มนาฬิกา หรือตำแหน่ง ▷ (ด้าน B) สำหรับการหมุนทวนเข็มนาฬิกา

► หมายเลข 3: 1. ก้านสวิตช์เปลี่ยนทิศทาง

สำหรับ HR2661

เครื่องมือนี้มีส่วนที่เปลี่ยนทิศทาง เพื่อใช้เปลี่ยนทิศทางการหมุน เลื่อนก้านสวิตช์เปลี่ยนทิศทางไปที่  ตำแหน่ง (ด้าน A) เพื่อให้หมุนแบบตามเข็มนาฬิกา หรือ  ตำแหน่ง (ด้าน B) เพื่อให้หมุนแบบทวนเข็มนาฬิกา

► **หมายเลข 4:** 1. ก้านสวิตช์เปลี่ยนทิศทาง

หมายเหตุ: เมื่อคุณใช้งานเครื่องมือในการหมุนแบบทวนเข็มนาฬิกา สวิตช์สั่งงานจะตั้งได้เพียงครึ่งทางและเครื่องมือจะทำงานที่ความเร็วครึ่งหนึ่ง สำหรับการหมุนทวนเข็มนาฬิกา คุณจะไม่สามารถกดปุ่มลือคลงไปได้



การเปลี่ยนหัวจับถอดเปลี่ยนเร็วสำหรับ SDS-พลัส

สำหรับ HR2651T

หัวจับถอดเปลี่ยนเร็วสำหรับ SDS-พลัสสามารถลับเปลี่ยนได้ง่ายเพื่อให้เปลี่ยนหัวจับดอกสว่านได้อย่างรวดเร็ว




การถอดหัวจับถอดเปลี่ยนเร็วสำหรับ SDS-พลัส

⚠ ข้อควรระวัง: ก่อนถอดหัวจับเปลี่ยนเร็วสำหรับ SDS-พลัส ตรวจสอบให้แน่ใจว่าได้ถอดส่วนดอกสว่านออกแล้ว

จับฝาเปลี่ยนของหัวจับถอดเปลี่ยนเร็วสำหรับ SDS-พลัสแล้วหมุนในทิศทางตามลูกศรจนเส้นฝาครอบเปลี่ยนเลื่อนจากสัญลักษณ์  ไปที่สัญลักษณ์  ใช้แรงดึงไปตามทิศทางของลูกศร

► **หมายเลข 5:** 1. หัวจับถอดเปลี่ยนเร็วสำหรับ SDS-พลัส 2. ฝาครอบเปลี่ยน 3. เส้นฝาครอบเปลี่ยน

การติดตั้งหัวจับดอกสว่านถอดเปลี่ยนเร็ว

ตรวจสอบเส้นของหัวจับดอกสว่านถอดเปลี่ยนเร็วว่าแสดงสัญลักษณ์  จับฝาครอบเปลี่ยนของหัวจับดอกสว่านถอดเปลี่ยนเร็วแล้วตั้งเส้นไปที่สัญลักษณ์  วางหัวจับดอกสว่านถอดเปลี่ยนเร็วลงบนแกนหมุนของเครื่องมือ จับฝาครอบเปลี่ยนของหัวจับดอกสว่านถอดเปลี่ยนเร็วแล้วหมุนเส้นฝาครอบเปลี่ยนไปที่สัญลักษณ์  จนได้ยินเสียงคลิกดังชัดเจน

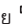
► **หมายเลข 6:** 1. หัวจับดอกสว่านถอดเปลี่ยนเร็ว 2. แกนหมุน 3. เส้นฝาครอบเปลี่ยน 4. ฝาครอบเปลี่ยน

การเลือกโหมดการทำงาน

ข้อสังเกต: อย่าหมุนปุ่มหมุนเปลี่ยนโหมดการทำงานในขณะที่เครื่องมือทำงาน เครื่องมือจะเสียหายได้


ข้อสังเกต: เพื่อหลีกเลี่ยงการสึกหรออย่างรวดเร็วของกลไกการเปลี่ยนโหมดการทำงาน ให้แน่ใจว่าปุ่มหมุนเปลี่ยนโหมดนั้นอยู่ตรงกับตำแหน่งใดตำแหน่งหนึ่งจากสามตำแหน่งอย่างแน่นอน

การหมุนพร้อมกระแทก

สำหรับการเจาะคอนกรีต อิฐปูน ชลข ให้หมุนปุ่มหมุนเลือกโหมดการทำงานไปยังเครื่องหมาย  ใช้ดอกสว่านหัวทังสแตนคาร์ไบด์ (อุปกรณ์เสริม)


► **หมายเลข 7:** 1. การหมุนพร้อมกระแทก 2. ปุ่มหมุนเปลี่ยนโหมดการทำงาน

การหมุนอย่างเดียว

สำหรับการเจาะไม้ เหล็ก หรือวัสดุพลาสติก ให้หมุนปุ่มหมุนเปลี่ยนโหมดการทำงานไปที่เครื่องหมาย  ใช้ดอกสว่านเกลียวหรือดอกสว่านเกลียวเจาะไม้

► **หมายเลข 8:** 1. การหมุนอย่างเดียว

การกระแทกอย่างเดียว

สำหรับการสกัด กะเทาะ กระแทก ให้หมุนปุ่มหมุนเปลี่ยนโหมดการทำงานไปที่เครื่องหมาย  ใช้ดอกสว่านปากแหลม ดอกสว่านปากแบน ดอกสว่านแบนใหญ่ ชลข

► **หมายเลข 9:** 1. การกระแทกอย่างเดียว

การปรับตำแหน่งหัวสว่าน

ใส่ร่อนาลงไปในขณะที่กดปุ่มปรับร่อนนำไว้ด้วย จากนั้นปล่อยปุ่มที่ตำแหน่งที่ต้องการ

► **หมายเลข 10:** 1. ร่อนนำ 2. ปุ่มปรับร่อนนำ

หมายเหตุ: ก่อนทำการปรับหัวสว่าน ให้ปล่อยหัวสว่านไปข้างหน้าจนสุดโดยกดปุ่มปรับร่อนนำ

การปรับความลึกการเจาะ

เลื่อนปุ่มปรับความลึกไปที่ตำแหน่งที่ต้องการในขณะที่ยกปุ่มไว้ด้วย ระยะ (A) คือความลึกการเจาะ

► **หมายเลข 11:** 1. ปุ่มปรับความลึก

ตัวจำกัดแรงบิด

ข้อสังเกต: เมื่อตัวจำกัดรอบทำงาน ให้ปิดสวิทช์เครื่องมือในทันที ทั้งนี้เพื่อช่วยป้องกันการสึกหรอก่อนกำหนดของเครื่องมือ

ข้อสังเกต: ดอกสว่าน เช่น เลื่อยเจาะรู มักขบหรือติดกับรูได้ง่าย และไม่เหมาะสมสำหรับเครื่องมือนี้ เนื่องจากจะทำให้ตัวจำกัดรอบทำงานบ่อยเกินไป

ตัวจำกัดแรงบิดจะทำงานเมื่อแรงบิดขึ้นไปถึงระดับหนึ่งมอเตอร์จะผละออกจากเพลาส่งกำลัง เมื่อเป็นเช่นนั้น ดอกสว่านจะหยุดหมุน

ขอเกี่ยว

⚠ ข้อควรระวัง: อย่าแขวนเครื่องมือที่ตำแหน่งสูงหรือบนพื้นผิวที่อาจไม่มั่นคง

สำหรับ HR2661

▶ **หมายเลข 12:** 1. ขอเกี่ยว

ขอเกี่ยวให้ความสะดวกสำหรับการแขวนเครื่องมือไว้ชั่วคราว

เมื่อต้องการใช้ขอเกี่ยว ให้ยกขอเกี่ยวขึ้นจนกระทั่งเข้าไปในตำแหน่งเปิด เมื่อไม่ใช้งาน ให้ลดขอเกี่ยวลงจนกระทั่งเข้าไปในตำแหน่งปิด

การประกอบ

⚠ ข้อควรระวัง: ตรวจสอบให้แน่ใจว่าได้ปิดสวิทช์เครื่องมือและถอดปลั๊กออกก่อนดำเนินการใดๆ กับเครื่องมือ

ด้ามจับด้านข้าง (มือจับเสริม)

⚠ ข้อควรระวัง: ใช้ด้ามจับด้านข้างเสมอ เพื่อความปลอดภัยในการใช้งาน

⚠ ข้อควรระวัง: หลังจากติดตั้งหรือปรับด้ามจับด้านข้าง ตรวจสอบให้แน่ใจว่าด้ามจับด้านข้างได้ยึดไว้อย่างแน่นหนา

ติดตั้งด้ามจับด้านข้าง โดยให้ร่องของด้ามจับอยู่ส่วนที่ยื่นออกมาของเครื่องมือ หมุนด้ามจับตามเข็มนาฬิกาให้แน่นเพื่อยึดไว้ ด้ามจับสามารถยึดเข้ามูมได้ตามต้องการ

▶ **หมายเลข 13:** 1. ด้ามจับด้านข้าง

จาระบี

เคลือบปลายก้านดอกสว่านก่อนด้วยจาระบีจำนวนเล็กน้อย (ประมาณ 0.5 - 1 กรัม)

การหล่อลื่นหัวจับนี้ช่วยให้มั่นใจถึงการทำงานที่ราบเรียบและอายุการใช้งานที่ยาวนานขึ้น

การติดตั้งหรือถอดดอกสว่าน

ทำความสะอาดปลายก้านดอกสว่าน และหาจาระบีก่อนติดตั้งดอกสว่าน

▶ **หมายเลข 14:** 1. ปลายก้าน 2. จาระบี

ใส่ดอกสว่านลงในเครื่องมือ หมุนดอกสว่านแล้วดึงลงไปจนกว่าจะเข้าที่

หลังจากใส่แล้ว ให้ตรวจสอบให้แน่ใจทุกครั้งว่าดอกสว่านถูกยึดอยู่ในตำแหน่งอย่างมั่นคงด้วยการลองพยายามดึงดอกสว่านออก

▶ **หมายเลข 15:** 1. ดอกสว่าน

เมื่อต้องการถอดดอกสว่าน ให้ดึงฝาครอบหัวจับลงจนสุดและดึงดอกสว่านออก

▶ **หมายเลข 16:** 1. ดอกสว่าน 2. ฝาครอบหัวจับ

มูมดอกสกัด (เมื่อทำการสกัด กะเทาะ หรือ กระแทก)

ดอกสกัดสามารถปรับมูมได้ตามต้องการ เมื่อต้องการเปลี่ยนมูมดอกสกัด ให้หมุนมูมหมุนเปลี่ยนโหมดการทำงานไปที่เครื่องหมาย O หมุนดอกสกัดไปยังมูมที่ต้องการ

▶ **หมายเลข 17:** 1. มูมหมุนเปลี่ยนโหมดการทำงาน

หมุนมูมหมุนเปลี่ยนโหมดการทำงานไปที่เครื่องหมาย T จากนั้นตรวจสอบให้แน่ใจว่าดอกสกัดนั้นถูกยึดเข้าที่อย่างแน่นหนาด้วยการหมุนเบาๆ

เกจวัดความลึก

เกจวัดความลึกเหมาะสำหรับรูเจาะที่มีความลึกเท่ากัน คลายด้ามจับด้านข้างออกและใส่เกจวัดความลึกเข้าไปในรูของด้ามจับด้านข้าง ปรับเกจวัดความลึกไปที่ระดับความลึกที่ต้องการ จากนั้นขันด้ามจับด้านข้างให้แน่น

▶ **หมายเลข 18:** 1. รู 2. เกจวัดความลึก

หมายเหตุ: ตรวจสอบให้แน่ใจว่าเกจวัดความลึกไม่สัมผัสกับตัวเครื่องหลักขณะติดตั้ง

การติดตั้งหรือถอดระบบดักฝุ่น

การถอดระบบดักฝุ่น ให้ดึงเครื่องมือในขณะที่กดปุ่มล๊อคไว้ ส่วนการติดตั้ง ให้สอดเครื่องมือเข้าไปในระบบดักฝุ่นจนกระทั่งเครื่องมือล๊อคเข้าที่และได้ยินเสียงคลิก

► หมายเลข 19: 1. ปุ่มล๊อค

ถ้วยดักฝุ่น

อุปกรณ์เสริม

ใช้ถ้วยดักฝุ่นเพื่อป้องกันไม่ให้ฝุ่นร่วงหล่นลงบนเครื่องมือและบนตัวคุณเมื่อทำงานเจาะเหนือศีรษะ ติดถ้วยดักฝุ่นเข้ากับดอกสว่านตามที่แสดงในภาพ ขนาดของดอกสว่านที่ถ้วยดักฝุ่นจะสามารถติดเข้าด้วยได้มีดังนี้

รุ่น	เส้นผ่านศูนย์กลางดอกสว่าน
ถ้วยดักฝุ่น 5	6 mm - 14.5 mm
ถ้วยดักฝุ่น 9	12 mm - 16 mm

► หมายเลข 20: 1. ถ้วยดักฝุ่น

ชุดถ้วยดักฝุ่น

อุปกรณ์เสริม

ก่อนการติดตั้งชุดถ้วยดักฝุ่น ให้ถอดดอกสว่านออกจากเครื่องมือ ถ้ามีการใส่อยู่ในเครื่องมือ ติดตั้งชุดถ้วยดักฝุ่นเข้ากับเครื่องมือ โดยจัดตำแหน่งให้สัญลักษณ์ Δ บนถ้วยดักฝุ่นตรงกับร่องของเครื่องมือ

► หมายเลข 21: 1. สัญลักษณ์ Δ 2. ร่อง

หมายเหตุ: หากคุณต่อเครื่องดูดฝุ่นเข้ากับชุดถ้วยดักฝุ่น ให้ถอดฝาปิดดักฝุ่นก่อนที่จะมีการเชื่อมต่อ

► หมายเลข 22: 1. ฝาปิดดักฝุ่น

การถอดชุดถ้วยดักฝุ่นออก ให้ถอดดอกสว่านออกในขณะที่ดึงฝาหัวจับไว้ในทิศทางตามลูกศร

► หมายเลข 23: 1. ดอกสว่าน 2. ฝาครอบหัวจับ

จับที่ก้นของถ้วยดักฝุ่นและดึงออก

► หมายเลข 24

หมายเหตุ: หากฝาปิดหลุดออกจากถ้วยดักฝุ่น ให้ติดตั้งฝาปิดเข้ากับด้านที่มีร่องซึ่งหันขึ้น โดยให้ร่องของฝาปิดยึดเข้าไปในเส้นรอบวงภายในของอุปกรณ์ยึดติด

► หมายเลข 25

การใช้งาน

▲ **ข้อควรระวัง:** ใช้ตามจับด้านข้าง (มือจับเสริม) เสมอ และจับเครื่องมือให้แน่นด้วยตามจับด้านข้างและมือจับสวิตช์ในระหว่างการใช้งาน

▲ **ข้อควรระวัง:** ตรวจสอบให้แน่ใจทุกครั้งว่าชิ้นงานถูกยึดไว้ดีแล้วก่อนการใช้งาน

▲ **ข้อควรระวัง:** ระบบดักจับฝุ่นใช้สำหรับการเจาะคอนกรีตเท่านั้น อย่าใช้ระบบดักฝุ่นสำหรับการเจาะโลหะหรือไม้

▲ **ข้อควรระวัง:** เมื่อใช้เครื่องมือที่ติดระบบดักฝุ่น ให้ใส่ตัวกรองที่ระบบดักฝุ่นเพื่อป้องกันการสูดดมฝุ่นเข้าไปด้วย

▲ **ข้อควรระวัง:** เมื่อจะใช้ระบบดักฝุ่น โปรดตรวจสอบดูก่อนว่าตัวกรองไม่ชำรุด ไม่เช่นนั้น คุณอาจสูดดมฝุ่นเข้าไปได้

▲ **ข้อควรระวัง:** ระบบดักฝุ่นจะดักฝุ่นที่เกิดขึ้นในปริมาณมาก แต่ไม่สามารถดักฝุ่นทั้งหมดได้

ข้อสังเกต: อย่าใช้ระบบดักฝุ่นสำหรับการเจาะแกนหรือการสกัด

ข้อสังเกต: อย่าใช้ระบบดักฝุ่นสำหรับการเจาะคอนกรีตที่เปียกชื้นหรือใช้ระบบนี้ในสภาพแวดล้อมที่เปียกชื้น ไม่เช่นนั้นอาจทำให้เครื่องมือทำงานผิดปกติได้

► หมายเลข 26

การใช้งานการเจาะกระแทก

▲ **ข้อควรระวัง:** จะเกิดแรงบิดบนเครื่องมือ/ดอกสว่านอย่างมหาศาลทันทีเมื่อเจาะรูจนทะลุ เมื่อมีเศษวัสดุอุดตันที่รู หรือเมื่อปะทะกับเหล็กเสริมในคอนกรีต ใช้ตามจับด้านข้าง (มือจับเสริม) เสมอ และจับเครื่องมือให้แน่นด้วยตามจับด้านข้างและมือจับสวิตช์ในระหว่างการใช้งาน การไม่ปฏิบัติตามขั้นตอนดังกล่าวอาจทำให้ไม่สามารถควบคุมเครื่องมือและได้รับบาดเจ็บรุนแรง

เลื่อนปุ่มหมุนเปลี่ยนโหมดการทำงานไปที่เครื่องหมาย TII จัดแนวดอกสว่านในตำแหน่งที่ต้องการเจาะรู จากนั้นดึงสวิตช์สั่งงาน อย่าฝืนใช้เครื่องมือ การใช้แรงกดเบาๆ จะให้ผลดีที่สุด จับเครื่องมือให้อยู่ในตำแหน่งและป้องกันไม่ให้เครื่องมือสั่นหลุดออกมาจากรูที่เจาะ

ห้ามใช้แรงกดมากขึ้นเมื่อมีเศษโลหะหรือวัสดุอุดตันที่รู ให้ใช้งานเครื่องมือที่รอบเดินเบาแทน จากนั้นดึงดอกสว่านบางส่วนออกมาจากรู การทำแบบนี้ซ้ำหลายๆ ครั้งจะทำให้รูสะอาด และสามารถทำการเจาะได้ตามปกติ

หมายเหตุ: การเยื้องศูนย์ในการหมุนดอกสว่านอาจเกิดขึ้นในระหว่างทำงานโดยไม่มีการการทำงาน เครื่องมือจะตั้งศูนย์ให้เองในระหว่างการทำงาน ซึ่งจะส่งผลต่อความแม่นยำในการเจาะ

การสักรัด/กะเทาะ/กระแทก

เลื่อนปุ่มหมุนเปลี่ยนโหมดการทำงานไปที่เครื่องหมาย T จับเครื่องมือให้แน่นทั้งสองมือ เปิดใช้งานเครื่องมือและใช้แรงกดบนเครื่องมือเล็กน้อยเพื่อให้เครื่องมือไม่ติดกลับจนไม่สามารถควบคุมได้

การกดเครื่องมืออย่างแรงไม่ได้เป็นการเพิ่มประสิทธิภาพของเครื่องมือ

▶ **หมายเลข 27**

การเจาะไม้หรือโลหะ

⚠ ข้อควรระวัง: จับเครื่องมือให้แน่น และระมัดระวังเมื่อดอกสว่านเริ่มเจาะทะลุชิ้นงาน จะมีแรงกดบนเครื่องมือ/ดอกสว่านอย่างมากขณะเจาะรู

⚠ ข้อควรระวัง: ดอกสว่านที่ติดอยู่ที่ชิ้นงานสามารถนำออกมาได้ง่ายโดยการเลื่อนสวิตช์เปลี่ยนทิศทางให้ดอกสว่านหมุนย้อนกลับ อย่างไรก็ตาม เครื่องมืออาจจะถอยออกทันทีโดยที่คุณไม่ทันตั้งตัว คุณจึงควรจับเครื่องมือไว้ให้แน่น

⚠ ข้อควรระวัง: ยึดชิ้นงานด้วยปากกาจับงาน หรืออุปกรณ์จับยึดที่คล้ายคลึงกันเสมอ

ข้อสังเกต: ห้ามใช้โหมด “หมุนพร้อมกระแทก” เมื่อติดตั้งหัวจับไว้กับเครื่องมือ หัวจับดอกสว่านอาจเสียหายและหัวจับดอกสว่านจะหลุดเมื่อใช้งานเครื่องมือในอีกทิศทางหนึ่ง

ข้อสังเกต: การออกแรงกดบนเครื่องมือไม่ช่วยให้การเจาะเร็วขึ้น ตามข้อเท็จจริงแล้ว แรงกดที่มากเกินไปจะทำให้ปลายดอกสว่านเสียหาย ลดประสิทธิภาพและอายุการใช้งานของเครื่องมือ

ตั้งปุ่มเปลี่ยนโหมดการทำงานไปที่สัญลักษณ์ **II**

สำหรับ HR2650/HR2651/HR2661

อุปกรณ์เสริม

ใส่ตัวแปลงหัวจับดอกสว่านแบบไม่มีกฏแฉ ซึ่งสามารถติดตั้งสกรูขนาด 1/2"-20 ได้ จากนั้นติดตั้งเข้ากับเครื่องมือ เมื่อทำการติดตั้ง โปรดดูส่วน “การติดตั้งหรือถอดดอกสว่าน”

▶ **หมายเลข 28:** 1. หัวจับดอกสว่านแบบไม่มีกฏแฉ
2. ตัวแปลงหัวจับ

สำหรับ HR2651T

ใช้หัวจับดอกสว่านถอดเปลี่ยนเร็วเป็นอุปกรณ์มาตรฐาน เมื่อทำการติดตั้ง โปรดดู “การเปลี่ยนหัวจับถอดเปลี่ยนเร็วสำหรับ SDS-พลัส”

จับแหวนและหมุนปลอกทวนเข็มนาฬิกาเพื่อเปิดฟันของหัวจับ ใส่ดอกสว่านลงไปให้หัวจับจนสุด ยึดแหวนไว้ให้แน่น และหมุนปลอกตามเข็มนาฬิกาเพื่อขึ้นแน่นหัวจับ

▶ **หมายเลข 29:** 1. ปลอก 2. แหวน

การถอดดอกสว่านออก ให้จับแหวนและหมุนปลอกทวนเข็มนาฬิกา

การเจาะด้วยดอกสว่านแกนเพชร

ข้อสังเกต: หากทำการเจาะด้วยดอกสว่านแกนเพชรโดยใช้การทำงานแบบ “การหมุนพร้อมกระแทก” ดอกสว่านแกนเพชรอาจเสียหายได้

เมื่อทำการเจาะกระแทกด้วยดอกสว่านแกนเพชร ให้ตั้งปุ่มหมุนเปลี่ยนโหมดการทำงานไปที่ตำแหน่ง **III** เพื่อใช้งานทำงาน “หมุนเท่านั้น”

การนำผงฝุ่นออกไปทิ้ง

⚠ ข้อควรระวัง: ตรวจสอบให้แน่ใจว่าได้ปิดสวิตช์เครื่องมือและถอดปลั๊กออกก่อนดำเนินการใดๆ กับเครื่องมือ

⚠ ข้อควรระวัง: โปรดสวมหน้ากากกันฝุ่นเมื่อต้องการนำผงฝุ่นออกไปทิ้ง

⚠ ข้อควรระวัง: ทำความสะอาดกล่องเก็บฝุ่นเป็นประจำก่อนที่กล่องเก็บฝุ่นจะเต็ม ไม่เช่นนั้น อาจทำให้ประสิทธิภาพในการดักฝุ่นลดลงและทำให้คุณสูดดมฝุ่นเข้าไปได้

⚠ ข้อควรระวัง: ประสิทธิภาพในการดักฝุ่นจะลดลงถ้าตัวกรองในกล่องเก็บฝุ่นอุดตัน แนะนำให้เปลี่ยนตัวกรองใหม่หลังจากกรองฝุ่นประมาณ 200 ครั้ง ไม่เช่นนั้น คุณอาจสูดดมฝุ่นเข้าไปได้

1. ถอดกลองเก็บฝุ่นในขณะที่กีดกันของกลองเก็บฝุ่นลง
▶ หมายเลข 30: 1. ก้าน
2. เปิดฝาปิดของกลองเก็บฝุ่นขึ้น
▶ หมายเลข 31: 1. ฝาปิด
3. นำฝุ่นออกไปทิ้ง และทำความสะอาดตัวกรอง
▶ หมายเลข 32

ข้อสังเกต: เมื่อทำความสะอาดตัวกรอง อย่าใช้แปรงหรือสิ่งที่คล้ายกันนี้ทำความสะอาดตัวกรอง หรือเป่าอากาศอัดใส่ตัวกรอง เนื่องจากอาจทำให้ตัวกรองเสียหายได้

กระเปาะยางเป่าลม

อุปกรณ์เสริม

หลังการเจาะรู ใช้กระเปาะยางเป่าลมเพื่อเป่าฝุ่นออกจากรู

- ▶ หมายเลข 33

การใช้ชุดถ้วยดักฝุ่น

อุปกรณ์เสริม

ติดชุดถ้วยดักฝุ่นไว้กับเพดานเมื่อใช้งานเครื่องมือ

- ▶ หมายเลข 34

ข้อสังเกต: อย่าใช้ชุดถ้วยดักฝุ่นเมื่อเจาะเหล็กหรือวัสดุที่มีลักษณะเดียวกัน เพราะอาจทำให้ชุดถ้วยดักฝุ่นเสียหาย เนื่องจากความร้อนของเศษเหล็กขนาดเล็กหรือวัสดุที่มีลักษณะเดียวกัน

ข้อสังเกต: อย่าติดตั้งหรือถอดชุดถ้วยดักฝุ่นที่ติดตั้งดอกสว่านเข้าไปบนเครื่องมือ เนื่องจากอาจทำให้ชุดถ้วยดักฝุ่นเสียหาย และทำให้ฝุ่นรั่วได้

การบำรุงรักษา

⚠ ข้อควรระวัง: ตรวจสอบให้แน่ใจว่าได้ปิดสวิตช์เครื่องมือและถอดปลั๊กออกก่อนทำการตรวจสอบหรือบำรุงรักษา

ข้อสังเกต: อย่าใช้น้ำมันเชื้อเพลิง เบนซิน ทินเนอร์ แอลกอฮอล์ หรือวัสดุประเภทเดียวกัน เนื่องจากอาจทำให้สีซีดจาง เสียรูป หรือแตกร้าวได้

เพื่อความปลอดภัยและน่าเชื่อถือของผลิตภัณฑ์ ควรให้ศูนย์บริการหรือโรงงานที่ผ่านการรับรองจาก Makita เป็นผู้ดำเนินการซ่อมแซม บำรุงรักษาและทำการปรับตั้งอื่นๆ นอกจากนี้ให้ใช้อะไหล่ของแท้จาก Makita เสมอ

การเปลี่ยนตัวกรองของกลองเก็บฝุ่น

1. ถอดกลองเก็บฝุ่นในขณะที่กีดกันของกลองเก็บฝุ่นลง
▶ หมายเลข 35: 1. ก้าน
2. สอดไขควงปากแบนระหว่างปลอกตัวกรองและฝาปิดของกลองเก็บฝุ่นตึงภาพ ขณะกดและบีบด้านข้างของปลอกตัวกรอง ให้งยกปลอกตัวกรองขึ้นโดยใช้ไขควงปากแบนและถอดปลอกตัวกรองออก
▶ หมายเลข 36: 1. ไขควงปากแบน 2. ปลอกตัวกรอง 3. ฝาปิดของกลองเก็บฝุ่น
3. เมื่อต้องการถอดตัวกรองออกจากปลอกตัวกรอง ให้พลิกตัวกรองและปลอกตัวกรองคว่ำลง และดันตัวกรองออกมา ดังภาพ
▶ หมายเลข 37: 1. ตัวกรอง 2. ปลอกตัวกรอง
4. ใส่ตัวกรองใหม่เข้าไปในปลอกตัวกรอง และใส่เข้ากับกลองเก็บฝุ่นโดยจัดตำแหน่งให้ส่วนที่ยื่นออกมาบนปลอกตัวกรองตรงกับร่องบนกลองเก็บฝุ่น
▶ หมายเลข 38: 1. ส่วนที่ยื่นออกมา 2. ร่อง
5. ปิดฝาปิดของกลองเก็บฝุ่น และติดเข้ากับเครื่องมือ

การเปลี่ยนฝาปิดซีล

ถ้าฝาปิดซีลชำรุด ประสิทธิภาพของการดักฝุ่นจะลดลง เปลี่ยนฝาปิดซีลใหม่หากชำรุด ถอดฝาปิดซีลออก และใส่ฝาใหม่โดยให้ส่วนที่ยื่นออกมาหันขึ้น

- ▶ หมายเลข 39: 1. ส่วนที่ยื่นออกมา 2. ฝาปิดซีล

อุปกรณ์เสริม

⚠ ข้อควรระวัง: ขอแนะนำให้ใช้เฉพาะอุปกรณ์เสริมหรืออุปกรณ์ต่อพ่วงเหล่านี้กับเครื่องมือ Makita ที่ระบุในคู่มือการใช้อุปกรณ์เสริมหรืออุปกรณ์ต่อพ่วงอื่นๆ อาจมีความเสี่ยงที่จะได้รับบาดเจ็บ ใช้อุปกรณ์เสริมหรืออุปกรณ์ต่อพ่วงตามวัตถุประสงค์ที่ระบุไว้เท่านั้น

หากต้องการทราบรายละเอียดเพิ่มเติมเกี่ยวกับอุปกรณ์เสริมเหล่านี้ โปรดสอบถามศูนย์บริการ Makita ใกล้บ้านคุณ

- ดอกสว่านหัวคาร์ไบด์ (ดอกสว่านหัวคาร์ไบด์ SDS-พลัส)
- แกนดอกสว่าน
- ดอกสกัดปากแหลม
- ดอกสว่านแกนเพชร
- ดอกสกัดปากแบน
- ดอกสกัดแบนใหญ่
- ดอกสกัดเซาะร่อง
- ตัวแปลงหัวจับ
- หัวจับดอกสว่านแบบไม่มีกุกุญแจ
- จาระบีดอกสว่าน
- เกจวัดความลึก
- กระเปาะยางเป่าลม
- ถ้วยดักฝุ่น
- ชุดถ้วยดักฝุ่น
- แวนดานิรภัย
- กระเป่าถือพลาสติก

หมายเหตุ: อุปกรณ์บางรายการอาจรวมอยู่ในชุดเครื่องมือเป็นอุปกรณ์มาตรฐาน ซึ่งอาจแตกต่างกันไปในแต่ละประเทศ

Makita Corporation
3-11-8, Sumiyoshi-cho,
Anjo, Aichi 446-8502 Japan
www.makita.com

885582B378
EN, ZHCN, ID,
VI, TH
20210309