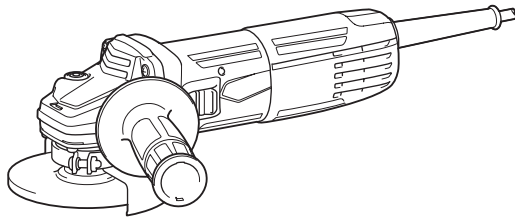


<b>EN</b>	Angle Grinder	INSTRUCTION MANUAL	3
<b>ID</b>	Gerinda Sudut	PETUNJUK PENGGUNAAN	9
<b>VI</b>	Máy Mài Góc Cầm Tay Hoạt Động Bằng Động Cơ Điện	TÀI LIỆU HƯỚNG DẪN	15
<b>TH</b>	เครื่องขัดมุม	คู่มือการใช้งาน	21

**MT964**  
**MT966**



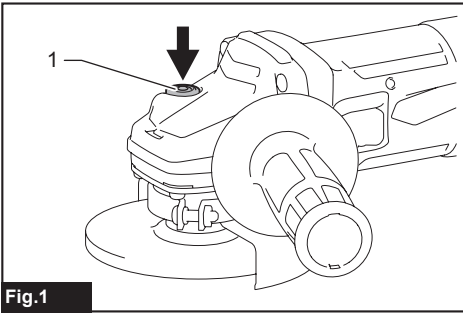


Fig.1

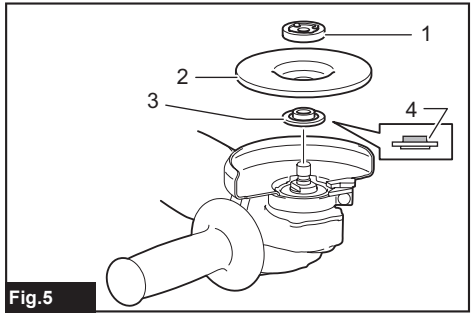


Fig.5

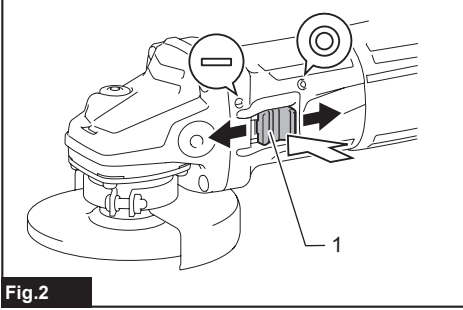


Fig.2

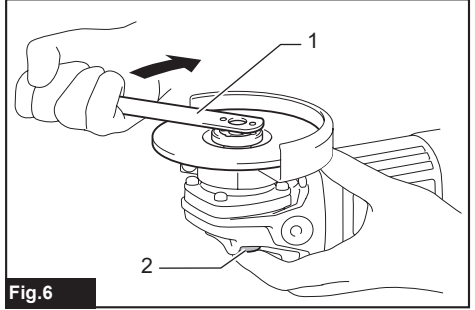


Fig.6

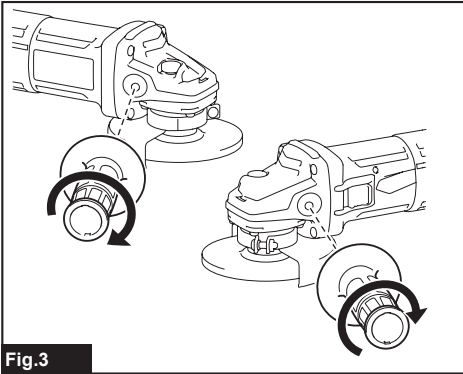


Fig.3

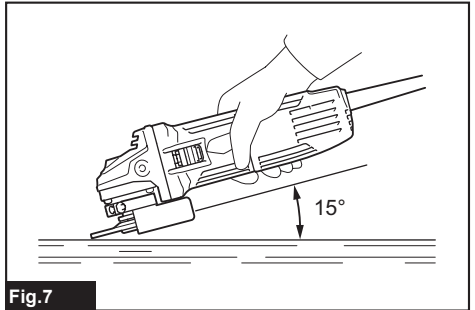


Fig.7

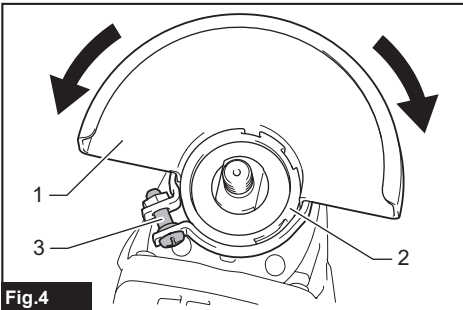


Fig.4

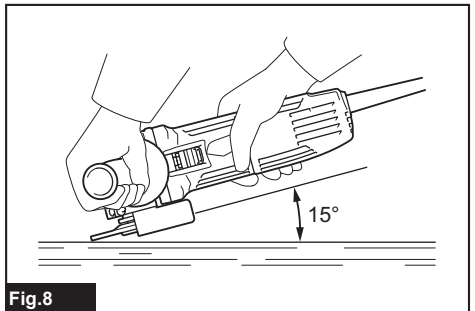


Fig.8

## SPECIFICATIONS

Model:	MT964	MT966
Wheel diameter	100 mm	125 mm
Max. wheel thickness	4 mm	6.4 mm
Spindle thread	M10 x 1.5	M14 x 2
Rated speed (n)/ No load speed (n <sub>0</sub> )	11,000 min <sup>-1</sup>	
Overall length	261 mm	
Net weight	1.6 kg	1.9 kg
Safety class	□/II	

- Due to our continuing program of research and development, the specifications herein are subject to change without notice.
- Specifications may differ from country to country.
- Weight according to EPTA-Procedure 01/2003

## Symbols

The following show the symbols used for the equipment. Be sure that you understand their meaning before use.



Read instruction manual.



Wear safety glasses.



DOUBLE INSULATION



Only for EU countries  
Do not dispose of electric equipment together with household waste material! In observance of the European Directive, on Waste Electric and Electronic Equipment and its implementation in accordance with national law, electric equipment that have reached the end of their life must be collected separately and returned to an environmentally compatible recycling facility.

## Intended use

The tool is intended for grinding of metal and stone materials without the use of water.

## Power supply

The tool should be connected only to a power supply of the same voltage as indicated on the nameplate, and can only be operated on single-phase AC supply. They are double-insulated and can, therefore, also be used from sockets without earth wire.

## SAFETY WARNINGS

### General power tool safety warnings

**⚠ WARNING: Read all safety warnings and all instructions.** Failure to follow the warnings and instructions may result in electric shock, fire and/or serious injury.

### Save all warnings and instructions for future reference.

The term "power tool" in the warnings refers to your mains-operated (corded) power tool or battery-operated (cordless) power tool.

#### Work area safety

1. **Keep work area clean and well lit.** Cluttered or dark areas invite accidents.
2. **Do not operate power tools in explosive atmospheres, such as in the presence of flammable liquids, gases or dust.** Power tools create sparks which may ignite the dust or fumes.
3. **Keep children and bystanders away while operating a power tool.** Distractions can cause you to lose control.

#### Electrical Safety

1. **Power tool plugs must match the outlet. Never modify the plug in any way. Do not use any adapter plugs with earthed (grounded) power tools.** Unmodified plugs and matching outlets will reduce risk of electric shock.
2. **Avoid body contact with earthed or grounded surfaces, such as pipes, radiators, ranges and refrigerators.** There is an increased risk of electric shock if your body is earthed or grounded.
3. **Do not expose power tools to rain or wet conditions.** Water entering a power tool will increase the risk of electric shock.

4. **Do not abuse the cord. Never use the cord for carrying, pulling or unplugging the power tool. Keep cord away from heat, oil, sharp edges or moving parts.** Damaged or entangled cords increase the risk of electric shock.
5. **When operating a power tool outdoors, use an extension cord suitable for outdoor use.** Use of a cord suitable for outdoor use reduces the risk of electric shock.
6. **If operating a power tool in a damp location is unavoidable, use a residual current device (RCD) protected supply.** Use of an RCD reduces the risk of electric shock.
7. **Use of power supply via an RCD with a rated residual current of 30 mA or less is always recommended.**
4. **Store idle power tools out of the reach of children and do not allow persons unfamiliar with the power tool or these instructions to operate the power tool.** Power tools are dangerous in the hands of untrained users.
5. **Maintain power tools. Check for misalignment or binding of moving parts, breakage of parts and any other condition that may affect the power tool's operation. If damaged, have the power tool repaired before use.** Many accidents are caused by poorly maintained power tools.
6. **Keep cutting tools sharp and clean.** Properly maintained cutting tools with sharp cutting edges are less likely to bind and are easier to control.
7. **Use the power tool, accessories and tool bits etc. in accordance with these instructions, taking into account the working conditions and the work to be performed.** Use of the power tool for operations different from those intended could result in a hazardous situation.

#### Personal Safety

1. **Stay alert, watch what you are doing and use common sense when operating a power tool. Do not use a power tool while you are tired or under the influence of drugs, alcohol or medication.** A moment of inattention while operating power tools may result in serious personal injury.
2. **Use personal protective equipment. Always wear eye protection.** Protective equipment such as a dust mask, non-skid safety shoes, hard hat or hearing protection used for appropriate conditions will reduce personal injuries.
3. **Prevent unintentional starting. Ensure the switch is in the off-position before connecting to power source and/or battery pack, picking up or carrying the tool.** Carrying power tools with your finger on the switch or energising power tools that have the switch on invites accidents.
4. **Remove any adjusting key or wrench before turning the power tool on.** A wrench or a key left attached to a rotating part of the power tool may result in personal injury.
5. **Do not overreach. Keep proper footing and balance at all times.** This enables better control of the power tool in unexpected situations.
6. **Dress properly. Do not wear loose clothing or jewellery. Keep your hair, clothing, and gloves away from moving parts.** Loose clothes, jewellery or long hair can be caught in moving parts.
7. **If devices are provided for the connection of dust extraction and collection facilities, ensure these are connected and properly used.** Use of dust collection can reduce dust-related hazards.

#### Power tool use and care

1. **Do not force the power tool. Use the correct power tool for your application.** The correct power tool will do the job better and safer at the rate for which it was designed.
2. **Do not use the power tool if the switch does not turn it on and off.** Any power tool that cannot be controlled with the switch is dangerous and must be repaired.
3. **Disconnect the plug from the power source and/or the battery pack from the power tool before making any adjustments, changing accessories, or storing power tools.** Such preventive safety measures reduce the risk of starting the power tool accidentally.

#### Service

1. **Have your power tool serviced by a qualified repair person using only identical replacement parts.** This will ensure that the safety of the power tool is maintained.
2. **Follow instruction for lubricating and changing accessories.**
3. **Keep handles dry, clean and free from oil and grease.**

## Grinder safety warnings

#### Safety Warnings Common for Grinding Operations:

1. **This power tool is intended to function as a grinder. Read all safety warnings, instructions, illustrations and specifications provided with this power tool.** Failure to follow all instructions listed below may result in electric shock, fire and/or serious injury.
2. **Operations such as sanding, wire brushing, polishing or cutting-off are not recommended to be performed with this power tool.** Operations for which the power tool was not designed may create a hazard and cause personal injury.
3. **Do not use accessories which are not specifically designed and recommended by the tool manufacturer.** Just because the accessory can be attached to your power tool, it does not assure safe operation.
4. **The rated speed of the accessory must be at least equal to the maximum speed marked on the power tool.** Accessories running faster than their rated speed can break and fly apart.
5. **The outside diameter and the thickness of your accessory must be within the capacity rating of your power tool.** Incorrectly sized accessories cannot be adequately guarded or controlled.

6. **Threaded mounting of accessories must match the grinder spindle thread. For accessories mounted by flanges, the arbour hole of the accessory must fit the locating diameter of the flange.** Accessories that do not match the mounting hardware of the power tool will run out of balance, vibrate excessively and may cause loss of control.
7. **Do not use a damaged accessory. Before each use inspect the accessory such as abrasive wheels for chips and cracks, backing pad for cracks, tear or excess wear. If power tool or accessory is dropped, inspect for damage or install an undamaged accessory. After inspecting and installing an accessory, position yourself and bystanders away from the plane of the rotating accessory and run the power tool at maximum no-load speed for one minute.** Damaged accessories will normally break apart during this test time.
8. **Wear personal protective equipment. Depending on application, use face shield, safety goggles or safety glasses. As appropriate, wear dust mask, hearing protectors, gloves and workshop apron capable of stopping small abrasive or workpiece fragments.** The eye protection must be capable of stopping flying debris generated by various operations. The dust mask or respirator must be capable of filtrating particles generated by your operation. Prolonged exposure to high intensity noise may cause hearing loss.
9. **Keep bystanders a safe distance away from work area. Anyone entering the work area must wear personal protective equipment.** Fragments of workpiece or of a broken accessory may fly away and cause injury beyond immediate area of operation.
10. **Hold the power tool by insulated gripping surfaces only, when performing an operation where the cutting accessory may contact hidden wiring or its own cord.** Cutting accessory contacting a "live" wire may make exposed metal parts of the power tool "live" and could give the operator an electric shock.
11. **Position the cord clear of the spinning accessory.** If you lose control, the cord may be cut or snagged and your hand or arm may be pulled into the spinning accessory.
12. **Never lay the power tool down until the accessory has come to a complete stop.** The spinning accessory may grab the surface and pull the power tool out of your control.
13. **Do not run the power tool while carrying it at your side.** Accidental contact with the spinning accessory could snag your clothing, pulling the accessory into your body.
14. **Regularly clean the power tool's air vents.** The motor's fan will draw the dust inside the housing and excessive accumulation of powdered metal may cause electrical hazards.
15. **Do not operate the power tool near flammable materials.** Sparks could ignite these materials.
16. **Do not use accessories that require liquid coolants.** Using water or other liquid coolants may result in electrocution or shock.

### Kickback and Related Warnings

Kickback is a sudden reaction to a pinched or snagged rotating wheel, backing pad, brush or any other accessory. Pinching or snagging causes rapid stalling of the rotating accessory which in turn causes the uncontrolled power tool to be forced in the direction opposite of the accessory's rotation at the point of the binding. For example, if an abrasive wheel is snagged or pinched by the workpiece, the edge of the wheel that is entering into the pinch point can dig into the surface of the material causing the wheel to climb out or kick out. The wheel may either jump toward or away from the operator, depending on direction of the wheel's movement at the point of pinching. Abrasive wheels may also break under these conditions.

Kickback is the result of power tool misuse and/or incorrect operating procedures or conditions and can be avoided by taking proper precautions as given below.

1. **Maintain a firm grip on the power tool and position your body and arm to allow you to resist kickback forces. Always use auxiliary handle, if provided, for maximum control over kickback or torque reaction during start-up.** The operator can control torque reactions or kickback forces, if proper precautions are taken.
2. **Never place your hand near the rotating accessory.** Accessory may kickback over your hand.
3. **Do not position your body in the area where power tool will move if kickback occurs.** Kickback will propel the tool in direction opposite to the wheel's movement at the point of snagging.
4. **Use special care when working corners, sharp edges etc. Avoid bouncing and snagging the accessory.** Corners, sharp edges or bouncing have a tendency to snag the rotating accessory and cause loss of control or kickback.
5. **Do not attach a saw chain woodcarving blade or toothed saw blade.** Such blades create frequent kickback and loss of control.

### Safety Warnings Specific for Grinding Operation:

1. **Use only wheel types that are recommended for your power tool and the specific guard designed for the selected wheel.** Wheels for which the power tool was not designed cannot be adequately guarded and are unsafe.
2. **The grinding surface of centre depressed wheels must be mounted below the plane of the guard lip.** An improperly mounted wheel that projects through the plane of the guard lip cannot be adequately protected.
3. **The guard must be securely attached to the power tool and positioned for maximum safety, so the least amount of wheel is exposed towards the operator.** The guard helps to protect the operator from broken wheel fragments, accidental contact with wheel and sparks that could ignite clothing.
4. **Wheels must be used only for recommended applications. For example: do not grind with the side of cut-off wheel.** Abrasive cut-off wheels are intended for peripheral grinding, side forces applied to these wheels may cause them to shatter.

5. **Always use undamaged wheel flanges that are of correct size and shape for your selected wheel.** Proper wheel flanges support the wheel thus reducing the possibility of wheel breakage. Flanges for cut-off wheels may be different from grinding wheel flanges.
6. **Do not use worn down wheels from larger power tools.** Wheel intended for larger power tool is not suitable for the higher speed of a smaller tool and may burst.

#### Additional Safety Warnings:

1. **When using depressed centre grinding wheels, be sure to use only fiberglass-reinforced wheels.**
2. **NEVER USE Stone Cup type wheels with this grinder.** This grinder is not designed for these types of wheels and the use of such a product may result in serious personal injury.
3. **Be careful not to damage the spindle, the flange (especially the installing surface) or the lock nut. Damage to these parts could result in wheel breakage.**
4. **Make sure the wheel is not contacting the workpiece before the switch is turned on.**
5. **Before using the tool on an actual workpiece, let it run for a while. Watch for vibration or wobbling that could indicate poor installation or a poorly balanced wheel.**
6. **Use the specified surface of the wheel to perform the grinding.**
7. **Do not leave the tool running. Operate the tool only when hand-held.**
8. **Do not touch the workpiece immediately after operation; it may be extremely hot and could burn your skin.**
9. **Observe the instructions of the manufacturer for correct mounting and use of wheels. Handle and store wheels with care.**
10. **Do not use separate reducing bushings or adaptors to adapt large hole abrasive wheels.**
11. **Use only flanges specified for this tool.**
12. **For tools intended to be fitted with threaded hole wheel, ensure that the thread in the wheel is long enough to accept the spindle length.**
13. **Check that the workpiece is properly supported.**
14. **Pay attention that the wheel continues to rotate after the tool is switched off.**
15. **If working place is extremely hot and humid, or badly polluted by conductive dust, use a short-circuit breaker (30 mA) to assure operator safety.**
16. **Do not use the tool on any materials containing asbestos.**
17. **Do not use cloth work gloves during operation.** Fibers from cloth gloves may enter the tool, which causes tool breakage.

## SAVE THESE INSTRUCTIONS.

**⚠WARNING:** DO NOT let comfort or familiarity with product (gained from repeated use) replace strict adherence to safety rules for the subject product. MISUSE or failure to follow the safety rules stated in this instruction manual may cause serious personal injury.

## FUNCTIONAL DESCRIPTION

**⚠CAUTION:** Always be sure that the tool is switched off and unplugged before adjusting or checking function on the tool.

### Shaft lock

Press the shaft lock to prevent spindle rotation when installing or removing accessories.

► Fig.1: 1. Shaft lock

**NOTICE:** Never actuate the shaft lock when the spindle is moving. The tool may be damaged.

### Switch action

**⚠CAUTION:** Before plugging in the tool, always check to see that the slide switch actuates properly and returns to the "OFF" position when the rear of the slide switch is depressed.

**⚠CAUTION:** Switch can be locked in "ON" position for ease of operator comfort during extended use. Apply caution when locking tool in "ON" position and maintain firm grasp on tool.

To start the tool, slide the slide switch toward the "I (ON)" position by pushing the rear of the slide switch. For continuous operation, press the front of the slide switch to lock it.

To stop the tool, press the rear of the slide switch, then slide it toward the "O (OFF)" position.

► Fig.2: 1. Slide switch

## ASSEMBLY

**⚠CAUTION:** Always be sure that the tool is switched off and unplugged before carrying out any work on the tool.

### Installing side grip (handle)

*Optional accessory for MT964 in some countries*

**⚠CAUTION:** Always be sure that the side grip is installed securely before operation.

Screw the side grip securely on the position of the tool as shown in the figure.

► Fig.3

## Installing or removing wheel guard (For depressed center wheel)

**⚠ WARNING:** When using a depressed center wheel, the wheel guard must be fitted on the tool so that the closed side of the guard always points toward the operator.

Mount the wheel guard with the protrusions on the wheel guard band aligned with the notches on the bearing box. Then rotate the wheel guard to such an angle that it can protect the operator according to work. Be sure to tighten the screw securely.

To remove wheel guard, follow the installation procedure in reverse.

► **Fig.4:** 1. Wheel guard 2. Bearing box 3. Screw

## Installing or removing depressed center wheel

### Optional accessory

**⚠ WARNING:** When using a depressed center wheel, the wheel guard must be fitted on the tool so that the closed side of the guard always points toward the operator.

**⚠ CAUTION:** Make sure that the mounting part of the inner flange fits into the inner diameter of the depressed center wheel perfectly. Mounting the inner flange on the wrong side may result in the dangerous vibration.

Mount the inner flange onto the spindle. Make sure to fit the straight part of the inner flange onto the straight part at the bottom of the spindle. Fit the depressed center wheel on the inner flange and screw the lock nut onto the spindle.

In case of mounting a depressed center wheel thinner than 4 mm (5/32"), place the lock nut so that the protrusion on the lock nut faces outside. Otherwise, place it so that the protrusion on it fits into the inner diameter of the wheel.

► **Fig.5:** 1. Lock nut 2. Depressed center wheel 3. Inner flange 4. Mounting part

To tighten the lock nut, press the shaft lock firmly so that the spindle cannot revolve, then use the lock nut wrench and securely tighten clockwise.

► **Fig.6:** 1. Lock nut wrench 2. Shaft lock

To remove the wheel, follow the installation procedure in reverse.

## OPERATION

**⚠ WARNING:** It should never be necessary to force the tool. The weight of the tool applies adequate pressure. Forcing and excessive pressure could cause dangerous wheel breakage.

**⚠ WARNING:** ALWAYS replace wheel if tool is dropped while grinding.

**⚠ WARNING:** NEVER bang or hit grinding disc or wheel onto work.

**⚠ WARNING:** Avoid bouncing and snagging the wheel, especially when working corners, sharp edges etc. This can cause loss of control and kickback.

**⚠ WARNING:** NEVER use tool with wood cutting blades and other saw blades. Such blades when used on a grinder frequently kick and cause loss of control leading to personal injury.

**⚠ CAUTION:** Never switch on the tool when it is in contact with the workpiece, it may cause an injury to operator.

**⚠ CAUTION:** Always wear safety goggles or a face shield during operation.

**⚠ CAUTION:** After operation, always switch off the tool and wait until the wheel has come to a complete stop before putting the tool down.

**⚠ CAUTION:** ALWAYS hold the tool firmly with one hand on housing and the other on the side grip (handle).

## Grinding operation

Turn the tool on and then apply the wheel or disc to the workpiece.

In general, keep the edge of the wheel or disc at an angle of about 15° to the workpiece surface.

During the break-in period with a new wheel, do not work the grinder in forward direction or it may cut into the workpiece. Once the edge of the wheel has been rounded off by use, the wheel may be worked in both forward and backward direction.

## Without side grip

### only for MT964

ALWAYS hold the tool firmly with only one hand on housing. Do not touch the metal part.

► **Fig.7**

## With side grip

### optional accessory for MT964 in some countries

ALWAYS hold the tool firmly with one hand on housing and the other on the side grip.

► **Fig.8**

# MAINTENANCE

**⚠ CAUTION:** Always be sure that the tool is switched off and unplugged before attempting to perform inspection or maintenance.

**NOTICE:** Never use gasoline, benzine, thinner, alcohol or the like. Discoloration, deformation or cracks may result.

To maintain product SAFETY and RELIABILITY, repairs, carbon brush inspection and replacement, any other maintenance or adjustment should be performed by Makita Authorized or Factory Service Centers, always using Makita replacement parts.



## SPEKIFIKASI

Model:	MT964	MT966
Diameter roda	100 mm	125 mm
Ketebalan roda maks.	4 mm	6,4 mm
Ulir spindel	M10 x 1,5	M14 x 2
Kecepatan terukur (n)/ Kecepatan tanpa beban (n <sub>0</sub> )	11.000 min <sup>-1</sup>	
Panjang keseluruhan	261 mm	
Berat bersih	1,6 kg	1,9 kg
Kelas keamanan	□/II	

- Karena kesinambungan program penelitian dan pengembangan kami, spesifikasi yang disebutkan di sini dapat berubah tanpa pemberitahuan.
- Spesifikasi dapat berbeda dari satu negara ke negara lainnya.
- Berat menurut Prosedur EPTA 01/2003

## Simbol

Berikut ini adalah simbol-simbol yang digunakan pada peralatan ini. Pastikan Anda mengerti makna masing-masing simbol sebelum menggunakan alat.



Baca petunjuk penggunaan.



Gunakan kaca mata pengaman.



ISOLASI GANDA



Hanya untuk negara-negara Uni Eropa  
Jangan membuang peralatan listrik  
atau baterai bersama-sama dengan  
bahan limbah rumah tangga! Dengan  
memerhatikan Petunjuk Eropa, tentang  
Limbah Peralatan Listrik dan Elektronik  
serta pelaksanaannya sesuai dengan  
ketentuan hukum nasional, peralatan  
listrik yang telah habis umur pakainya  
harus dikumpulkan secara terpisah dan  
dikembalikan ke fasilitas daur ulang yang  
kompatibel secara lingkungan.

## Penggunaan

Mesin ini digunakan untuk menggerinda material besi dan bebaturan tanpa menggunakan air.

## Pasokan daya

Mesin harus terhubung dengan pasokan daya listrik yang bervoltase sama dengan yang tertera pada pelat nama, dan hanya dapat dijalankan dengan listrik AC fase tunggal. Mesin diisolasi ganda dan oleh sebab itu dapat dihubungkan dengan soket tanpa kabel.

## PERINGATAN KESELAMATAN

### Peringatan keselamatan umum mesin listrik

**⚠️ PERINGATAN:** Bacalah semua peringatan keselamatan dan semua petunjuk. Kelalaian mematuhi peringatan dan petunjuk dapat menyebabkan sengatan listrik, kebakaran dan/atau cedera serius.

## Simpanlah semua peringatan dan petunjuk untuk acuan di masa depan.

Istilah "mesin listrik" dalam semua peringatan mengacu pada mesin listrik yang dijalankan dengan sumber listrik jala-jala (berkabel) atau baterai (tanpa kabel).

### Keselamatan tempat kerja

1. **Jaga tempat kerja selalu bersih dan berpenerangan cukup.** Tempat kerja yang berantakan dan gelap mengundang kecelakaan.
2. **Jangan gunakan mesin listrik dalam lingkungan yang mudah meledak, misalnya jika ada cairan, gas, atau debu yang mudah menyala.** Mesin listrik menimbulkan bunga api yang dapat menyalakan debu atau uap tersebut.
3. **Jauhkan anak-anak dan orang lain saat menggunakan mesin listrik.** Bila perhatian terpecah, anda dapat kehilangan kendali.

## Keamanan Kelistrikan

1. **Steker mesin listrik harus cocok dengan stopkontak. Jangan sekali-kali mengubah steker dengan cara apa pun. Jangan menggunakan steker adaptor dengan mesin listrik terbumi (dibumikan).** Steker yang tidak diubah dan stopkontak yang cocok akan mengurangi risiko sengatan listrik.
2. **Hindari sentuhan tubuh dengan permukaan terbumi atau yang dibumikan seperti pipa, radiator, kompor, dan kulkas.** Risiko sengatan listrik bertambah jika tubuh Anda terbumikan atau dibumikan.
3. **Jangan membiarkan mesin listrik kejuanan atau kebasahan.** Air yang masuk ke dalam mesin listrik akan meningkatkan risiko sengatan listrik.
4. **Jangan menyalahgunakan kabel. Jangan sekali-kali menggunakan kabel untuk membawa, menarik, atau mencabut mesin listrik dari stopkontak. Jauhkan kabel dari panas, minyak, tepian tajam, atau bagian yang bergerak.** Kabel yang rusak atau kusut memperbesar risiko sengatan listrik.
5. **Bila menggunakan mesin listrik di luar ruangan, gunakan kabel ekstensi yang sesuai untuk penggunaan di luar ruangan.** Penggunaan kabel yang sesuai untuk penggunaan luar ruangan mengurangi risiko sengatan listrik.
6. **Jika mengoperasikan mesin listrik di lokasi lembap tidak terhindarkan, gunakan pasokan daya yang dilindungi peranti imbasan arus (residual current device - RCD).** Penggunaan RCD mengurangi risiko sengatan listrik.
7. **Penggunaan pasokan daya melalui RCD dengan kapasitas arus sisa 30 mA atau kurang selalu dianjurkan.**

## Keselamatan Diri

1. **Jaga kewaspadaan, perhatikan pekerjaan Anda dan gunakan akal sehat bila menggunakan mesin listrik. Jangan menggunakan mesin listrik saat Anda lelah atau di bawah pengaruh obat bius, alkohol, atau obat.** Sekejap saja lalai saat menggunakan mesin listrik dapat menyebabkan cedera badan serius.
2. **Gunakan alat pelindung diri. Selalu gunakan pelindung mata.** Peralatan pelindung seperti masker debu, sepatu pengaman anti-selip, helm pengaman, atau pelindung telinga yang digunakan untuk kondisi yang sesuai akan mengurangi risiko cedera badan.
3. **Cegah penyalaaan yang tidak disengaja. Pastikan bahwa sakelar berada dalam posisi mati (off) sebelum menghubungkan mesin ke sumber daya dan/atau paket baterai, atau mengangkat atau membawanya.** Membawa mesin listrik dengan jari Anda pada sakelarnya atau mengalirkan listrik pada mesin listrik yang sakelarnya hidup (on) akan mengundang kecelakaan.
4. **Lepaskan kunci-kunci penyetel sebelum menghidupkan mesin listrik.** Kunci-kunci yang masih terpasang pada bagian mesin listrik yang berputar dapat menyebabkan cedera.

5. **Jangan meraih terlalu jauh. Jagalah pijakan dan keseimbangan sepanjang waktu.** Hal ini memungkinkan kendali yang lebih baik atas mesin listrik dalam situasi yang tidak diharapkan.
6. **Kenakan pakaian dengan baik. Jangan memakai pakaian yang kedodoran atau perhiasan. Jaga jarak antara rambut, pakaian, dan sarung tangan Anda dengan bagian mesin yang bergerak.** Pakaian kedodoran, perhiasan, atau rambut panjang dapat tersangkut pada bagian yang bergerak.
7. **Jika tersedia fasilitas untuk menghisap dan mengumpulkan debu, pastikan fasilitas tersebut terhubung listrik dan digunakan dengan baik.** Penggunaan pembersih debu dapat mengurangi bahaya yang terkait dengan debu.

## Penggunaan dan pemeliharaan mesin listrik

1. **Jangan memaksa mesin listrik. Gunakan mesin listrik yang tepat untuk keperluan Anda.** Mesin listrik yang tepat akan menuntaskan pekerjaan dengan lebih baik dan aman pada kecepatan sesuai rancangannya.
2. **Jangan gunakan mesin listrik jika sakelar tidak dapat menyalakan dan mematikannya.** Mesin listrik yang tidak dapat dikendalikan dengan sakelarnya adalah berbahaya dan harus diperbaiki.
3. **Cabut steker dari sumber listrik dan/atau paket baterai dari mesin listrik sebelum melakukan penyetelan, penggantian aksesoris, atau menyimpan mesin listrik.** Langkah keselamatan preventif tersebut mengurangi risiko hidupnya mesin secara tak sengaja.
4. **Simpan mesin listrik jauh dari jangkauan anak-anak dan jangan biarkan orang yang tidak paham mengenai mesin listrik tersebut atau petunjuk ini menggunakan mesin listrik.** Mesin listrik sangat berbahaya di tangan pengguna yang tak terlatih.
5. **Rawatlah mesin listrik. Periksa apakah ada bagian bergerak yang tidak lurus atau macet, bagian yang pecah dan kondisi lain yang dapat memengaruhi penggunaan mesin listrik. Jika rusak, perbaiki dahulu mesin listrik sebelum digunakan.** Banyak kecelakaan disebabkan oleh kurangnya pemeliharaan mesin listrik.
6. **Jaga agar mesin pemotong tetap tajam dan bersih.** Mesin pemotong yang terawat baik dengan mata pemotong yang tajam tidak mudah macet dan lebih mudah dikendalikan.
7. **Gunakan mesin listrik, aksesoris, dan mata mesin, dll. sesuai dengan petunjuk ini, dengan memperhatikan kondisi kerja dan jenis pekerjaan yang dilakukan.** Penggunaan mesin listrik untuk penggunaan yang lain dari peruntukan dapat menimbulkan situasi berbahaya.

## Servis

1. **Berikan mesin listrik untuk diperbaiki hanya kepada oleh teknisi yang berkualifikasi dengan menggunakan hanya suku cadang pengganti yang serupa.** Hal ini akan menjamin terjaganya keamanan mesin listrik.
2. **Patuhi petunjuk pelumasan dan penggantian aksesoris.**

3. Jagalah agar gagang kering, bersih, dan bebas dari minyak dan gemuk.

## Peringatan keselamatan penggerinda

### Peringatan Keselamatan Umum untuk Pekerjaan Penggerindaan:

1. **Mesin listrik ini berfungsi sebagai mesin gerinda. Bacalah semua peringatan keselamatan, petunjuk, ilustrasi dan spesifikasi yang tersedia bersama mesin listrik ini.** Kelalaian mematuhi semua petunjuk yang tercantum di bawah ini dapat menyebabkan sengatan listrik, kebakaran dan/atau cedera serius.
2. **Tidak dianjurkan menggunakan mesin listrik ini untuk melakukan pekerjaan seperti mengampelas, menyikat dengan kawat, memoles, atau memotong.** Pekerjaan di mana mesin listrik tersebut tidak dirancang untuk itu bisa menimbulkan bahaya dan menyebabkan cedera diri.
3. **Jangan gunakan aksesoris yang tidak dirancang secara khusus dan dianjurkan oleh produsen mesin.** Hanya karena aksesoris tersebut dapat dipasang pada mesin listrik Anda, bukan berarti dapat menjamin keselamatan dalam pengoperasian.
4. **Kecepatan terukur pada aksesoris setidaknya harus sama dengan kecepatan maksimum yang tertera pada mesin listrik.** Aksesoris yang bekerja lebih cepat dari kecepatan terukurnya mungkin saja pecah dan terlempar.
5. **Diameter luar dan tebal aksesoris Anda harus berada dalam nilai kapasitas mesin listrik Anda.** Aksesoris dengan ukuran yang tidak tepat tidak dapat dilindungi atau dikendalikan secara memadai.
6. **Pemasangan aksesoris berulir harus sesuai dengan ulir spindel gerinda. Untuk aksesoris yang dipasang menggunakan flensa, lubang punjung pada aksesoris harus cocok dengan diameter tempat pemasangan pada flensa.** Aksesoris punjung yang tidak sesuai dengan perangkat keras pemasangan mesin listrik akan bekerja secara tidak seimbang, bergetar berlebihan dan dapat menyebabkan hilangnya kendali.
7. **Jangan menggunakan aksesoris yang telah rusak. Sebelum digunakan, selalu periksa aksesoris seperti roda abrasif akan adanya chip dan keretakan, bantalan belakang akan adanya keretakan, pecah atau keausan yang berlebihan. Bila mesin listrik atau aksesoris jatuh, periksa akan adanya kerusakan atau pasang aksesoris yang tidak rusak. Setelah memeriksa dan memasang aksesoris, posisikan diri Anda dan orang di sekitar jauh dari bidang aksesoris yang berputar dan jalankan mesin listrik pada kecepatan maksimum tanpa beban selama satu menit.** Aksesoris yang rusak secara normal akan pecah selama waktu pengujian ini.
8. **Kenakan alat pelindung diri. Tergantung pekerjaannya, gunakan pelindung muka, kaca mata pelindung atau kaca mata pengaman. Sesuai dengan pekerjaannya, kenakan masker debu, pelindung telinga, sarung tangan, dan apron bengel yang mampu menahan debu gerinda atau serpihan benda kerja.** Pelindung mata harus mampu menahan debu yang berhamburan, yang ditimbulkan dari berbagai jenis pekerjaan. Masker debu atau alat pernapasan harus mampu menyaring partikel yang dihasilkan dari pekerjaan Anda. Terpaan yang berkepanjangan terhadap kebisingan berintensitas tinggi dapat menyebabkan hilangnya pendengaran.
9. **Jaga agar orang di sekitar berada dalam jarak aman yang jauh dari area kerja. Siapa pun yang masuk ke area kerja harus mengenakan alat pelindung diri.** Potongan benda kerja atau dari aksesoris yang rusak mungkin saja terlempar dan menyebabkan cedera di area yang langsung berdekatan dengan pekerjaan.
10. **Saat melakukan pekerjaan yang memiliki kemungkinan mesin pemotong bersentuhan dengan kawat tersembunyi atau kabelnya sendiri, pegang mesin listrik hanya pada permukaan genggam yang terisolasi.** Aksesoris pemotong yang menyentuh kawat "hidup" dapat menyebabkan bagian logam pada mesin teraliri arus listrik dan menyengat pengguna.
11. **Posisikan kabel agar tidak terkena aksesoris yang berputar.** Jika Anda kehilangan kendali, kabel mungkin saja terpotong atau tersangkut dan tangan atau lengan Anda mungkin saja tertarik oleh aksesoris yang berputar.
12. **Jangan sekali-kali meletakkan mesin listrik sebelum aksesorinya benar-benar berhenti.** Aksesoris yang berputar dapat menyambar permukaan dan menarik mesin listrik di luar kendali Anda.
13. **Jangan menyalakan mesin listrik sambil membawanya di sisi badan Anda.** Sentuhan yang tidak disengaja oleh aksesoris yang berputar dapat merobek pakaian Anda, yang akan menarik aksesoris ke arah badan Anda.
14. **Bersihkan ventilasi udara mesin listrik secara rutin.** Kipas motor akan menarik debu ke dalam ruangan, dan serbuk logam yang terkumpul secara berlebihan dapat menyebabkan bahaya listrik.
15. **Jangan mengoperasikan mesin listrik di dekat benda-benda yang mudah terbakar.** Percikan apinya dapat menyulut benda-benda tersebut.
16. **Jangan menggunakan aksesoris yang membutuhkan cairan pendingin.** Menggunakan air atau cairan pendingin lain dapat mengakibatkan kematian akibat sengatan listrik.

### **Hentakan balik dan Peringatan Terkait**

Hentakan balik merupakan reaksi tiba-tiba akibat terjepit atau tersangkutnya roda yang berputar, bantalan belakang, sikat atau aksesoris lainnya. Kondisi terjepit atau tersangkut akan menyebabkan aksesoris yang berputar akan berhenti dengan cepat yang kemudian berubah mengakibatkan terdorongnya mesin listrik yang tak terkendali ke arah yang berlawanan dengan putaran aksesoris di titik tempat aksesoris tersebut terjepit.

Sebagai contoh, jika roda ampelas tersangkut atau terjepit oleh benda kerja, tepi roda yang masuk ke titik tempat roda tersebut terjepit bisa menggali permukaan bahan, yang menyebabkan roda tersebut menanjak atau menghentak. Roda mungkin saja melompat ke arah atau menjaui operator, tergantung arah gerakan roda di titik tempat roda tersebut terjepit. Roda ampelas juga mungkin saja pecah karena kondisi tersebut.

Hentakan balik merupakan akibat dari kesalahan cara penggunaan mesin listrik dan/atau prosedur atau kondisi pengoperasian yang salah, dan dapat dihindari dengan melakukan tindakan kewaspadaan yang tepat sebagaimana diuraikan di bawah ini.

1. **Pertahankan genggaman yang kuat pada mesin listrik serta posisi badan dan lengan Anda sehingga Anda dapat menahan gaya hentakan balik. Selalu gunakan pegangan tambahan, bila tersedia, untuk mengendalikan hentakan balik atau reaksi torsi secara maksimum selama mesin mulai dihidupkan.** Jika tindakan kewaspadaan yang tepat dilakukan, operator dapat mengendalikan reaksi torsi atau gaya hentakan balik.
2. **Jangan sekali-kali memosisikan tangan Anda di dekat aksesoris yang berputar.** Aksesoris mungkin saja menghentak balik ke arah tangan Anda.
3. **Jangan memosisikan badan Anda di area tempat mesin listrik akan bergerak bila terjadi hentakan balik.** Hentakan balik akan memutar mesin dalam arah yang berlawanan dengan gerakan roda di titik tempat roda tersebut tersangkut.
4. **Sangat berhati-hatilah saat bekerja di area sudut, tepi yang tajam, dsb. Jaga agar aksesoris tidak memantul atau tersangkut.** Area sudut, tepi yang tajam, atau pantulan cenderung menyebabkan aksesoris yang berputar tersangkut dan menyebabkan kehilangan kendali atau timbulnya hentakan balik.
5. **Jangan memasang mata gergaji rantai atau mata gergaji bergerigi.** Mata mesin seperti ini menghasilkan hentakan balik secara berkali-kali dan menyebabkan kehilangan kendali.

### **Peringatan Keselamatan Khusus untuk Pekerjaan Penggerindaan:**

1. **Gunakan hanya tipe roda yang dianjurkan untuk mesin listrik Anda dan pelindung khusus yang dirancang untuk roda yang Anda pilih.** Roda yang tidak sesuai dengan spesifikasi mesin listrik ini tidak dapat terlindungi secara memadai, dan karenanya tidak aman.

2. **Permukaan untuk penggerindaan pada roda tengah gerinda harus dipasang di bawah bidang pada tepi pelindung.** Roda yang tidak dipasang dengan benar sehingga menonjol pada bidang tepi pelindung tidak dapat benar-benar terlindungi.
3. **Pelindung harus terpasang dengan kencang pada mesin listrik dan diposisikan untuk pengamanan maksimal, sehingga bagian roda yang menghadap ke operator menjadi minimal.** Pelindung tersebut ikut melindungi operator dari potongan patahan roda, gesekan dengan roda dan percikan api yang dapat membakar pakaian.
4. **Roda harus digunakan hanya untuk penggunaan yang disarankan. Misalnya: jangan menggerinda dengan bagian samping roda pemotong.** Roda pemotong abrasif ditujukan untuk pekerjaan gerinda sisi luar; jika roda dikenai tenaga dari samping, roda ini mungkin saja pecah.
5. **Selalu gunakan flensa roda yang tidak rusak dengan ukuran dan bentuk yang tepat sesuai dengan roda yang Anda pilih.** Flensa roda yang tepat akan menopang roda sehingga mengurangi kemungkinan pecahnya roda. Flensa untuk roda pemotongan mungkin saja berbeda dengan flensa roda gerinda.
6. **Jangan gunakan roda dengan kinerja yang sudah rendah dari mesin listrik yang lebih besar.** Roda yang dirancang untuk mesin listrik yang lebih besar tidak cocok untuk digunakan pada alat yang lebih kecil dengan kecepatan yang lebih tinggi dan mungkin saja akan rusak.

### **Peringatan Keselamatan Tambahan:**

1. **Saat menggunakan roda gerinda tengah, pastikan bahwa Anda hanya menggunakan roda dengan fiberglass.**
2. **JANGAN PERNAH GUNAKAN roda berjenis Stone Cup dengan gerinda ini.** Gerinda ini tidak dirancang untuk tipe roda semacam ini dan jika digunakan, hal ini dapat mengakibatkan cedera serius pada penggunaannya.
3. **Hati-hati jangan sampai merusak spindle, flensa (terutama permukaan pemasangan) atau mur kunci.** Kerusakan pada bagian ini dapat mengakibatkan rusaknya roda.
4. **Pastikan bahwa roda tidak menyentuh benda kerja sebelum sakelar dinyalakan.**
5. **Sebelum menggunakan mesin pada benda kerja yang sebenarnya, jalankan mesin sebentar.** Waspada! getaran atau goyangan yang dapat menunjukkan lemahnya pemasangan atau roda yang kurang seimbang.
6. **Gunakan permukaan roda yang sudah ditentukan untuk melakukan penggerindaan.**
7. **Jangan tinggalkan mesin dalam keadaan hidup.** Jalankan mesin hanya ketika digenggam dengan tangan.
8. **Jangan menyentuh benda kerja segera setelah pengoperasian; suhunya mungkin masih sangat panas dan dapat membakar kulit Anda.**

9. Patuhi petunjuk produsen mengenai cara memasang dan menggunakan roda yang benar. Rawat dan simpan roda dengan cermat.
10. Jangan menggunakan bos atau adaptor pengurang yang terpisah untuk menyesuaikan roda dengan lubang abrasif berukuran besar.
11. Gunakan hanya flensa yang ditentukan untuk mesin ini.
12. Untuk mesin yang memang dirancang untuk roda lubang berulir, pastikan bahwa ulir dalam roda cukup panjang untuk menampung panjang spindel.
13. Periksa apakah benda kerja telah ditopang dengan baik.
14. Perhatikan bahwa roda terus berputar setelah mesin dimatikan.
15. Jika tempat kerja sangat panas dan lembap, sangat kotor oleh debu konduktif, gunakan pemutus daya (30 mA) untuk menjamin keselamatan operator.
16. Jangan menggunakan mesin pada bahan yang mengandung asbestos.
17. Jangan gunakan sarung tangan kerja kain selama pengoperasian. Serat dari sarung tangan kain dapat masuk ke mesin dan mengakibatkan kerusakan.

## SIMPAN PETUNJUK INI.

**⚠️ PERINGATAN:** JANGAN biarkan kenyamanan atau terbiasanya Anda dengan produk (karena penggunaan berulang) mengurangi kepatuhan yang ketat terhadap aturan keselamatan untuk produk yang terkait. **PENYALAHGUNAAN** atau kelalaian mematuhi kaidah keselamatan yang tertera dalam petunjuk ini dapat menyebabkan cedera badan serius.

## DESKRIPSI FUNGSI

**⚠️ PERHATIAN:** Selalu pastikan bahwa mesin dalam keadaan mati dan steker tercabut sebelum menyatel atau memeriksa kerja mesin.

## Kunci poros

Tekan kunci poros untuk mencegah berputarnya spindel saat memasang atau melepas aksesoris.

► **Gbr.1:** 1. Kunci poros

**PEMBERITAHUAN:** Jangan gerakan kunci poros ketika spindel sedang bergerak. Mesin mungkin saja rusak.

## Kerja sakelar

**⚠️ PERHATIAN:** Sebelum memasukkan steker, selalu periksa apakah tuas sakelar berfungsi dengan baik dan kembali ke posisi "OFF" saat bagian belakang tuas sakelar ditekan.

**⚠️ PERHATIAN:** Sakelar dapat dikunci dalam posisi "ON" untuk memberikan kenyamanan bagi operator selama penggunaan dalam jangka waktu lama. Selalu berhati-hatilah saat mengunci mesin dalam posisi "ON", dan pegang mesin kuat-kuat.

Untuk menjalankan mesin, gerakkan sakelar geser ke posisi "I (ON)" dengan menekan bagian belakang tuas sakelar. Untuk penggunaan terus menerus, tekan bagian depan sakelar geser untuk menguncinya.

Untuk menghentikan mesin, tekan bagian belakang geser sakelar, kemudian geser ke posisi "O (OFF)".

► **Gbr.2:** 1. Sakelar geser

## PERAKITAN

**⚠️ PERHATIAN:** Pastikan bahwa mesin dalam keadaan mati dan steker tercabut sebelum melakukan pekerjaan apa pun pada mesin.

## Memasang gagang sisi (pegangan)

*Aksesoris opsional untuk MT964 di beberapa negara*

**⚠️ PERHATIAN:** Selalu pastikan bahwa gagang sisi terpasang dengan kuat sebelum penggunaan.

Sekrup gagang sisi dengan kencang pada posisi mesin sebagaimana yang ditunjukkan pada gambar.

► **Gbr.3**

## Memasang atau melepas pelindung roda (Untuk roda tengah yang ditekan)

**⚠️ PERINGATAN:** Saat menggunakan roda tengah yang ditekan, pelindung roda harus dipasangkan pada peralatan sehingga sisi pelindung yang tertutup mengarah pada operator.

Pasang pelindung roda dengan posisi tonjolan ada di atas ikatan pelindung roda yang sejajar dengan cekungan-cekungan pada kotak penahan. Kemudian putar pelindung roda ke suatu sudut sehingga dapat melindungi operator sesuai dengan pekerjaan. Pastikan bahwa sekrup sudah dikencangkan hingga aman. Untuk melepas pelindung roda, lakukan prosedur pemasangan dalam urutan terbalik.

► **Gbr.4:** 1. Pelindung roda 2. Kotak penahan 3. Sekrup

## Memasang atau melepas roda tengah yang ditekan

### Pilihan Aksesori

**PERINGATAN:** Saat menggunakan roda tengah yang ditekan, pelindung roda harus dipasang pada peralatan sehingga sisi pelindung yang tertutup mengarah pada operator.

**PERHATIAN:** Pastikan bagian pemasangan dari flensa dalam sesuai pada diameter dalam dari roda tengah yang ditekan secara tepat. Memasang flensa dalam di sisi yang salah dapat mengakibatkan getaran yang berbahaya.

Pasang flensa dalam pada spindel. Pastikan bagian flensa dalam yang lurus terpasang secara sesuai dengan bagian lurus bagian bawah spindel. Pasang roda tengah pengasah pada flensa dalam dan pasang mur kunci ke spindel.

Apabila roda tengah pengasah yang terpasang lebih tipis dari 4 mm (5/32"), pasang mur kunci dengan tonjolan menghadap ke bagian luar. Jika tidak memungkinkan, tempatkan tonjolan mur kunci hingga terpasang dengan sesuai mengikuti diameter roda.

► **Gbr.5:** 1. Mur kunci 2. Roda tengah pengasah 3. Flensa dalam 4. Bagian pemasangan

Untuk mengencangkan mur kunci, tekan kunci poros dengan kuat agar spindel tidak berputar, kemudian gunakan kunci pas baut pengunci dan kencangkan kuat-kuat searah jarum jam.

► **Gbr.6:** 1. Kunci pas baut pengunci 2. Kunci poros

Untuk melepas roda, lakukan prosedur pemasangan dalam urutan terbalik.

## PENGGUNAAN

**PERINGATAN:** Tidak perlu sampai memaksa mesin. Bobot mesin sudah memberi tekanan yang cukup. Pemaksaan dan tekanan yang berlebihan dapat mengakibatkan kerusakan yang berbahaya pada roda.

**PERINGATAN:** SELALU ganti rodanya jika kinerja mesin menurun pada saat menggerinda.

**PERINGATAN:** JANGAN SEKALI-KALI membenturkan atau memukul cakram atau roda di tengah-tengah pengerjaan.

**PERINGATAN:** Jangan memantulkan dan mendekatkan roda pada permukaan tajam, terutama ketika bekerja pada sudut, pinggir yang tajam, dll. Hal ini dapat menyebabkan hilangnya kontrol dan bantingan.

**PERINGATAN:** JANGAN SEKALI-KALI menggunakan mesin dengan mata pisau pemotong kayu dan mata gergaji lainnya. Mata pisau semacam itu sering kali menghentak bila digunakan pada gerinda serta menyebabkan hilangnya kendali yang mengarah pada terjadinya cedera badan.

**PERHATIAN:** Jangan sekali-kali menyalakan mesin saat menyentuh benda kerja, hal tersebut bisa menyebabkan luka pada operator.

**PERHATIAN:** Selalu gunakan kaca mata pelindung atau pelindung muka selama pengoperasian.

**PERHATIAN:** Setelah pengoperasian, selalu matikan mesin dan tunggu sampai mesin benar-benar berhenti sebelum meletakkan mesin kembali.

**PERHATIAN:** SELALU pegang mesin menggunakan satu tangan pada bagian rumahan dan tangan yang lain pada gagang sisi (pegangan) dengan kuat.

## Pekerjaan penggerindaan

Nyalakan mesin dan kemudian letakkan roda atau cakram di atas benda kerja.

Secara umum, pertahankan pinggir roda atau cakram pada sudut sekitar 15° terhadap permukaan benda kerja.

Selama awal penggunaan roda baru, jangan menggerinda dengan arah ke depan sehingga benda kerja terpotong. Ketika pinggir roda telah menjadi bulat karena terus digunakan, roda dapat bekerja dengan arah ke depan maupun ke belakang.

## Tanpa gagang sisi

*hanya untuk MT964*

SELALU pegang mesin menggunakan satu tangan pada bagian rumahan dengan kuat. Jangan menyentuh bagian logam.

► **Gbr.7**

## Dengan gagang sisi

*aksesori opsional untuk MT964 di beberapa negara*

SELALU pegang mesin menggunakan satu tangan pada bagian rumahan dan tangan yang lain pada gagang sisi dengan kuat.

► **Gbr.8**

## PERAWATAN

**PERHATIAN:** Selalu pastikan bahwa mesin dimatikan dan steker dicabut sebelum melakukan pemeriksaan atau perawatan.

**PEMBERITAHUAN:** Jangan sekali-kali menggunakan bensin, tiner, alkohol, atau bahan sejenisnya. Penggunaan bahan demikian dapat menyebabkan perubahan warna, perubahan bentuk atau timbulnya retakan.

Untuk menjaga KEAMANAN dan KEANDALAN mesin, perbaikan, pemeriksaan dan penggantian sikat karbon, serta perawatan atau penyetelan lain harus dilakukan oleh Pusat Layanan Resmi atau Pabrik Makita, selalu gunakan suku cadang pengganti buatan Makita.

## THÔNG SỐ KỸ THUẬT

Kiểu máy:	MT964	MT966
Đường kính đĩa mài	100 mm	125 mm
Chiều dày đĩa mài tối đa	4 mm	6,4 mm
Ren của trụ quay	M10 x 1,5	M14 x 2
Tốc độ định mức (n)/ Tốc độ không tải (n <sub>0</sub> )	11.000 min <sup>-1</sup>	
Chiều dài tổng thể	261 mm	
Khối lượng tịnh	1,6 kg	1,9 kg
Cấp độ an toàn	□/II	

- Do chương trình nghiên cứu và phát triển liên tục của chúng tôi nên các thông số kỹ thuật trong đây có thể thay đổi mà không cần thông báo trước.
- Các thông số kỹ thuật có thể thay đổi tùy theo từng quốc gia.
- Khối lượng tùy theo Quy trình EPTA tháng 01/2003

### Ký hiệu

Phần dưới đây cho biết các ký hiệu được dùng cho thiết bị. Đảm bảo rằng bạn hiểu rõ ý nghĩa của các ký hiệu này trước khi sử dụng.



Đọc tài liệu hướng dẫn.



Mang kính an toàn.



CÁCH ĐIỆN CẤP 2



Chỉ dành cho các quốc gia EU  
Không thái bỏ thiết bị điện cùng với các chất thải sinh hoạt! Để tuân thủ Chỉ thị của Châu Âu về thiết bị điện và điện tử thải bỏ, và thi hành những chỉ thị này phù hợp với luật lệ quốc gia, thiết bị điện tử không còn sử dụng được nữa phải được thu nhặt riêng và đưa trở lại một cơ sở tái chế tương thích với môi trường.

### Mục đích sử dụng

Dụng cụ này được dùng để mài kim loại và các vật liệu bằng đá mà không cần sử dụng nước.

### Nguồn cấp điện

Dụng cụ này chỉ được nối với nguồn cấp điện có điện áp giống như đã chỉ ra trên biển tên và chỉ có thể được vận hành trên nguồn điện AC đơn pha. Chúng được cách điện hai lớp và do đó cũng có thể được sử dụng từ các ổ cắm điện không có dây tiếp đất.

## CẢNH BÁO AN TOÀN

### Cảnh báo an toàn chung dành cho dụng cụ máy

**⚠ CẢNH BÁO:** Đọc tất cả các cảnh báo an toàn và tất cả hướng dẫn. Việc không tuân theo các cảnh báo và hướng dẫn có thể dẫn đến điện giật, hỏa hoạn và/hoặc thương tích nghiêm trọng.

### Lưu giữ tất cả cảnh báo và hướng dẫn để tham khảo sau này.

Thuật ngữ “dụng cụ máy” trong các cảnh báo đề cập đến dụng cụ máy (có dây) được vận hành bằng nguồn điện chính hoặc dụng cụ máy (không dây) được vận hành bằng pin của bạn.

#### An toàn tại nơi làm việc

- Giữ nơi làm việc sạch sẽ và có đủ ánh sáng.**  
Nơi làm việc bừa bộn hoặc tối thường dễ gây ra tai nạn.
- Không vận hành dụng cụ máy trong môi trường cháy nổ, ví dụ như môi trường có sự hiện diện của các chất lỏng, khí hoặc bụi dễ cháy.** Các dụng cụ máy tạo tia lửa điện có thể làm bụi hoặc khí bốc cháy.
- Giữ trẻ em và người ngoài tránh xa nơi làm việc khi đang vận hành dụng cụ máy.** Sự xao lãng có thể khiến bạn mất khả năng kiểm soát.

#### An toàn về Điện

- Phích cắm của dụng cụ máy phải khớp với ổ cắm. Không được sửa đổi phích cắm theo bất kỳ cách nào. Không sử dụng bất kỳ phích chuyển đổi nào với các dụng cụ máy được nối đất (tiếp đất).** Các phích cắm còn nguyên vẹn và ổ cắm phù hợp sẽ giảm nguy cơ điện giật.

2. **Tránh để cơ thể tiếp xúc với các bề mặt nổi đất hoặc tiếp đất như đường ống, bộ tản nhiệt, bếp ga và tủ lạnh.** Nguy cơ bị điện giật sẽ tăng lên nếu cơ thể bạn được nối đất hoặc tiếp đất.
3. **Không để dụng cụ máy tiếp xúc với mưa hoặc trong điều kiện ẩm ướt.** Nước lọt vào dụng cụ máy sẽ làm tăng nguy cơ điện giật.
4. **Không lạm dụng dây điện.** Không được phép sử dụng dây để mang, kéo hoặc tháo phích cắm dụng cụ máy. Giữ dây tránh xa nguồn nhiệt, dầu, các mép sắc hoặc các bộ phận chuyển động. Dây bị hỏng hoặc bị rối sẽ làm tăng nguy cơ điện giật.
5. **Khi vận hành dụng cụ máy ngoài trời, hãy sử dụng dây kéo dài phù hợp cho việc sử dụng ngoài trời.** Việc dùng dây phù hợp cho việc sử dụng ngoài trời sẽ giảm nguy cơ điện giật.
6. **Nếu bắt buộc phải vận hành dụng cụ máy ở nơi ẩm ướt, hãy sử dụng nguồn cấp điện được bảo vệ bằng thiết bị ngắt dòng điện rò (RCD).** Việc sử dụng RCD sẽ làm giảm nguy cơ điện giật.
7. **Chúng tôi luôn khuyến bạn sử dụng nguồn cấp điện qua thiết bị RCD có thể ngắt dòng điện rò định mức 30 mA hoặc thấp hơn.**

#### **An toàn Cá nhân**

1. **Luôn tỉnh táo, quan sát những việc bạn đang làm và sử dụng những phán đoán theo kinh nghiệm khi vận hành dụng cụ máy.** Không sử dụng dụng cụ máy khi bạn đang mệt mỏi hoặc chịu ảnh hưởng của ma túy, rượu hay thuốc. Chỉ một khoảnh khắc không tập trung khi đang vận hành dụng cụ máy cũng có thể dẫn đến thương tích cá nhân nghiêm trọng.
2. **Sử dụng thiết bị bảo hộ cá nhân. Luôn đeo thiết bị bảo vệ mắt.** Các thiết bị bảo hộ như mũ bảo hộ chống bụi, giày an toàn chống trượt, mũ bảo hộ hay thiết bị bảo vệ thính giác được sử dụng trong các điều kiện thích hợp sẽ giúp giảm thương tích cá nhân.
3. **Tránh vô tình khởi động dụng cụ máy. Đảm bảo công tắc ở vị trí off (tắt) trước khi nối nguồn điện và/hoặc bộ pin, cầm hoặc di chuyển dụng cụ máy.** Việc di chuyển dụng cụ máy khi đang đặt ngón tay ở vị trí công tắc hoặc cấp điện cho dụng cụ máy đang bật thường dễ gây ra tai nạn.
4. **Tháo tắt cả các khóa hoặc cờ lê điều chỉnh trước khi bật dụng cụ máy.** Việc cờ lê hoặc khóa vẫn còn gắn vào bộ phận quay của dụng cụ máy có thể dẫn đến thương tích cá nhân.
5. **Không với quá cao. Luôn giữ thăng bằng tốt và có chỗ để chân phù hợp.** Điều này cho phép điều khiển dụng cụ máy tốt hơn trong những tình huống bất ngờ.
6. **Ăn mặc phù hợp. Không mặc quần áo rộng hay đeo đồ trang sức. Giữ tóc, quần áo và giày tay tránh xa các bộ phận chuyển động.** Quần áo rộng, đồ trang sức hay tóc dài có thể mắc vào các bộ phận chuyển động.
7. **Nếu các thiết bị được cung cấp để kết nối các thiết bị thu gom và hút bụi, hãy đảm bảo chúng được kết nối và sử dụng hợp lý.** Việc sử dụng thiết bị thu gom bụi có thể làm giảm những mối nguy hiểm liên quan đến bụi.

#### **Sử dụng và bảo quản dụng cụ máy**

1. **Không dùng lực đối với dụng cụ máy. Sử dụng đúng dụng cụ máy cho công việc của bạn.** Sử dụng đúng dụng cụ máy sẽ giúp thực hiện công việc tốt hơn và an toàn hơn theo giá trị định mức được thiết kế của dụng cụ máy đó.
2. **Không sử dụng dụng cụ máy nếu công tắc không bật và tắt được dụng cụ máy đó.** Mọi dụng cụ máy không thể điều khiển được bằng công tắc đều rất nguy hiểm và phải được sửa chữa.
3. **Rút phích cắm ra khỏi nguồn điện và/hoặc ngắt kết nối bộ pin khỏi dụng cụ máy trước khi thực hiện bất kỳ công việc điều chỉnh, thay đổi phụ tùng hay cất giữ dụng cụ máy nào.** Những biện pháp an toàn phòng ngừa này sẽ giảm nguy cơ vô tình khởi động dụng cụ máy.
4. **Cất giữ các dụng cụ máy không sử dụng ngoài tầm với của trẻ em và không cho bất kỳ người nào không có hiểu biết về dụng cụ máy hoặc các hướng dẫn này vận hành dụng cụ máy.** Dụng cụ máy sẽ rất nguy hiểm nếu được sử dụng bởi những người dùng chưa qua đào tạo.
5. **Bảo quản dụng cụ máy. Kiểm tra tình trạng lịch sử hoặc bố cục của các bộ phận chuyển động, hiện tượng nứt vỡ của các bộ phận và mọi tình trạng khác mà có thể ảnh hưởng đến hoạt động của dụng cụ máy. Nếu có hỏng hóc, hãy sửa chữa dụng cụ máy trước khi sử dụng.** Nhiều tai nạn xảy ra là do không bảo quản tốt dụng cụ máy.
6. **Luôn giữ cho dụng cụ cất được sắc bén và sạch sẽ.** Những dụng cụ cất được bảo quản tốt có mép cắt sắc sẽ ít bị kẹt hơn và dễ điều khiển hơn.
7. **Sử dụng dụng cụ máy, phụ tùng và đầu dụng cụ cắt, v.v... theo các hướng dẫn này, có tính đến điều kiện làm việc và công việc được thực hiện.** Việc sử dụng dụng cụ máy cho các công việc khác với công việc dự định có thể gây nguy hiểm.

#### **Bảo dưỡng**

1. **Đề nhân viên sửa chữa đủ trình độ bảo dưỡng dụng cụ máy của bạn và chỉ sử dụng các bộ phận thay thế đồng nhất.** Việc này sẽ đảm bảo phụ trì được độ an toàn của dụng cụ máy.
2. **Tuân theo hướng dẫn dành cho việc bôi trơn và thay phụ tùng.**
3. **Giữ tay cầm khô, sạch, không dính dầu và mỡ.**

### **Cảnh báo an toàn đối với máy mài**

#### **Các cảnh báo an toàn chung cho các thao tác mài:**

1. **Dụng cụ máy này được dùng để làm máy mài.** Xin đọc tất cả các cảnh báo an toàn, hướng dẫn, minh họa và thông số kỹ thuật đi kèm với dụng cụ máy này. Việc không tuân theo các hướng dẫn được liệt kê dưới đây có thể dẫn đến điện giật, hỏa hoạn và/hoặc thương tích nghiêm trọng.



2. **Các thao tác như chà nhám, đánh bàn chải kim loại, đánh bóng hoặc cắt không được khuyến khích thực hiện bằng dụng cụ máy này.** Các thao tác mà dụng cụ máy này không được thiết kế để thực hiện có thể tạo ra nguy hiểm và gây thương tích cá nhân.
3. **Không được dùng các phụ kiện không được thiết kế đặc biệt và không theo khuyến cáo của nhà sản xuất dụng cụ.** Bởi nếu có thể gắn phụ kiện đó vào dụng cụ máy của bạn thì điều đó hoàn toàn không đảm bảo việc vận hành máy an toàn.
4. **Tốc độ định mức của phụ kiện ít nhất phải bằng tốc độ tối đa được đánh dấu trên dụng cụ máy này.** Các phụ kiện chạy nhanh hơn tốc độ định mức của chúng có thể bị vỡ và bay ra ngoài.
5. **Đường kính bên ngoài và độ dày của phụ kiện phải nằm trong mức đánh giá công suất của dụng cụ máy của bạn.** Đường kính có kích thước không chính xác không thể được bảo vệ hoặc kiểm soát một cách đầy đủ.
6. **Lắp ren của phụ kiện phải khớp với ren của trụ quay máy mài. Đối với các phụ kiện được gắn bằng mặt bích, lỗ trục tâm của phụ kiện đó phải vừa khít với đường kính định vị của mặt bích.** Các phụ kiện không khớp với phần kim loại lắp ghép của dụng cụ máy sẽ bị mất cân bằng, rung động quá mức và có thể gây ra mất kiểm soát.
7. **Không sử dụng phụ kiện đã hư hỏng.** Trước mỗi lần sử dụng hãy kiểm tra phụ kiện như đĩa mài nhám xem có các phoi và vết nứt hay không, và tấm đặt lót xem có nứt gãy hoặc bị ăn mòn quá mức không. Nếu dụng cụ máy hoặc phụ kiện bị rơi, hãy kiểm tra hư hỏng hoặc lắp lại phụ kiện không bị hư hại. Sau khi kiểm tra và cài đặt phụ kiện, hãy tìm chỗ đứng cho bản thân mình và những người xung quanh để tránh xa mặt phẳng phụ kiện quay và chạy dụng cụ máy này ở tốc độ không tải tối đa trong vòng một phút. Phụ kiện bị hư hỏng thông thường sẽ bị vỡ trong thời gian thử nghiệm này.
8. **Mang thiết bị bảo hộ cá nhân.** Tùy thuộc vào việc sử dụng máy, hãy dùng mặt nạ bảo vệ mắt, kính bảo hộ hoặc kính an toàn. Khi thích hợp, hãy mang mặt nạ chống bụi, dụng cụ bảo vệ thính giác, găng tay và tạp dề làm việc có khả năng ngăn chặn các mảnh mài mòn hoặc mảnh vỡ từ vật gia công. Thiết bị bảo vệ mắt phải có khả năng ngăn chặn các mảnh vụn bay ra phát sinh bởi các hoạt động khác nhau. Mặt nạ chống bụi hoặc khẩu trang phải có khả năng lọc được các hạt tạo ra bởi hoạt động của bạn. Tiếp xúc kéo dài với tiếng ồn có cường độ cao có thể gây ra mất thính giác.
9. **Giữ những người xung quanh tránh xa nơi làm việc một khoảng cách an toàn.** Bất cứ ai bước vào khu vực làm việc đều phải đeo thiết bị bảo hộ cá nhân. Các mảnh vỡ của phôi gia công hoặc phụ kiện bị vỡ có thể bắn ra và gây thương tích bên ngoài khu vực thao tác cạnh đó.
10. **Chỉ cầm dụng cụ máy bằng bề mặt kẹp cách điện khi thực hiện một thao tác trong đó bộ phận cắt có thể tiếp xúc với dây dẫn kín hoặc dây của chính nó.** Phụ kiện cắt tiếp xúc với dây dẫn "có điện" có thể khiến các bộ phận kim loại bị hở của dụng cụ máy "có điện" và làm cho người vận hành bị điện giật.
11. **Đặt dây dẫn không để vướng phụ kiện quay.** Nếu bạn bị mất kiểm soát, dây dẫn có thể bị cắt hoặc bị quấn và bàn tay hoặc cánh tay của bạn có thể bị kéo vào phụ kiện quay đó.
12. **Không bao giờ đặt dụng cụ máy xuống cho đến khi phụ kiện đã dừng hẳn.** Phụ kiện quay có thể quay lấy bề mặt và kéo công cụ máy vượt khỏi tầm kiểm soát của bạn.
13. **Không được chạy dụng cụ máy trong lúc đang mang bên hông bạn.** Tiếp xúc bất ngờ với phụ kiện quay có thể quán lấy quần áo của bạn, kéo phụ kiện vướng vào người bạn.
14. **Thường xuyên làm sạch các lỗ thông hơi của dụng cụ máy.** Quạt của động cơ sẽ thu hút bụi vào bên trong vỏ và nhiều bột kim loại tích tụ có thể gây ra các nguy hiểm về điện.
15. **Không vận hành công cụ máy gần các vật liệu dễ cháy.** Các tia lửa có thể kích cháy các vật liệu này.
16. **Không sử dụng các phụ kiện có yêu cầu chất làm mát dạng lỏng.** Sử dụng chất làm mát bằng nước hoặc chất lỏng khác có thể dẫn đến điện giật hoặc sốc.

#### **Lực đẩy ngược và Cảnh báo Liên quan**

Lực đẩy ngược là phản ứng bất ngờ đối với đĩa mài, tấm đặt lót, chổi hoặc bất cứ phụ kiện nào khác đang quay nhưng bị kẹt hoặc bị quấn. Việc bị kẹt hoặc quấn sẽ làm phụ kiện đang quay bị dừng nhanh chóng và do đó dụng cụ máy không kiểm soát được sẽ bị buộc phải theo hướng đối diện hướng quay của phụ kiện tại điểm bị ràng buộc.

Ví dụ, nếu đĩa nhám bị quấn hoặc kẹt bởi phôi gia công, phần mép của đĩa đang đi vào điểm kẹt có thể cày xới bề mặt vật liệu làm đĩa nhám trượt hoặc văng ra ngoài. Đĩa nhám có thể hoặc bật ra về gần hoặc xa khỏi người vận hành, tùy thuộc vào hướng chuyển động của đĩa nhám tại điểm kẹt. Đĩa nhám cũng có thể bị vỡ trong những tình trạng sau.

Lực đẩy ngược là kết quả của việc sử dụng dụng cụ máy không đúng và/hoặc do các quy trình vận hành hoặc các điều kiện không chính xác và có thể tránh được bằng cách thực hiện các biện pháp phòng ngừa thích hợp như được nêu dưới đây.

1. **Nắm giữ chắc dụng cụ máy và chọn thể dạng và vị trí tay cầm để cho phép bạn chống lại lực đẩy ngược.** Luôn luôn sử dụng tay cầm phụ, nếu được cung cấp, để kiểm soát tối đa lực đẩy ngược hoặc mô-men xoắn trong lúc khởi động. Người vận hành máy có thể kiểm soát mô-men xoắn hay lực đẩy ngược nếu thực hiện các biện pháp phòng ngừa đúng cách.
2. **Không bao giờ đặt tay bạn gần phụ kiện quay.** Phụ kiện có thể quạt ngược lại lên tay bạn.
3. **Không đứng tại vị trí nơi dụng cụ máy sẽ bị đẩy tới nếu xảy ra lực đẩy ngược.** Lực đẩy ngược sẽ làm xoay dụng cụ theo hướng ngược lại chuyển động của đĩa mài tại vị trí bị quấn.

- Cần đặc biệt cẩn thận khi thao tác với các cạnh góc, mép sắc, v.v... Tránh làm dẹt ra và uốn vào phụ kiện.** Các góc, mép sắc hoặc dẹt ra có xu hướng làm quần lấy phụ kiện đang quay và gây mất kiểm soát hoặc tạo lực đẩy ngược.
- Không được gắn lưới cửa xích khác gỗ hoặc lưới cửa rỗng.** Các loại lưới như vậy thường tạo ra lực đẩy ngược và dễ mất kiểm soát.

#### Các cảnh báo an toàn và thể cho thao tác mài:

- Chỉ sử dụng các loại đĩa mài được khuyến nghị cho dụng cụ máy của bạn và phần bảo vệ cụ thể được thiết kế cho đĩa mài được chọn.** Các đĩa mài mà dụng cụ máy này không được thiết kế cho chúng sẽ không thể được bảo vệ đầy đủ và thường không an toàn.
- Bề mặt tay cầm của đĩa mài trung tâm bị nén xuống phải được gắn dưới mặt phẳng của mép phần bảo vệ.** Đĩa mài gắn không đúng cách nhỏ ra khỏi mặt phẳng của mép phần bảo vệ sẽ không thể được bảo vệ đầy đủ.
- Phần bảo vệ phải được gắn chặt vào dụng cụ máy và được để ở vị trí an toàn tối đa, do đó số đĩa mài tiếp xúc với người vận hành là ít nhất.** Phần bảo vệ giúp bảo vệ người vận hành khỏi mảnh vỡ từ đĩa mài bị vỡ, tiếp xúc bất ngờ với đĩa mài và các tia lửa có thể kích cháy quần áo.
- Chỉ sử dụng đĩa mài cho các ứng dụng được khuyến nghị.** Ví dụ: không mài mặt bên của đĩa mài cắt. Đĩa mài cắt nhám được dùng để mài ngoại vi, tác dụng lực mặt bên lên những đĩa mài này có thể khiến chúng vỡ vụn.
- Luôn luôn sử dụng mặt bích đĩa mài không bị hư hại có kích thước và hình dạng chính xác cho đĩa mài bạn đã chọn.** Các mặt bích đĩa mài phù hợp sẽ hỗ trợ đĩa mài giảm bớt khả năng bị vỡ đĩa mài. Các mặt bích dành cho đĩa cắt có thể khác với các mặt bích dành cho đĩa mài.
- Không sử dụng các đĩa đã bị mài mòn từ các dụng cụ máy lớn hơn.** Đĩa mài dùng cho dụng cụ máy lớn hơn sẽ không phù hợp với tốc độ cao hơn của dụng cụ nhỏ và có thể nổ.

#### Cảnh báo an toàn bổ sung:

- Khi sử dụng đĩa mài trung tâm bị nén xuống, hãy chắc chắn là bạn chỉ sử dụng đĩa mài có sợi thủy tinh gia cố.**
- KHÔNG BAO GIỜ SỬ DỤNG** đĩa mài loại Nắp chụp bằng đá cho máy mài này. Máy mài này không được thiết kế cho những loại đĩa mài này và việc sử dụng một sản phẩm như vậy có thể gây thương tích cá nhân nghiêm trọng.
- Cẩn thận không được làm hồng trụ quay, mặt bích (đặc biệt là bề mặt lắp đặt) hoặc đai ốc khóa.** Hư hỏng đối với các bộ phận này có thể dẫn đến vỡ đĩa mài.
- Phải đảm bảo rằng đĩa mài không tiếp xúc với phôi gia công trước khi bật công tắc lên.**
- Trước khi sử dụng dụng cụ này trên phôi gia công thực, hãy để dụng cụ chạy trong ít phút.** Theo dõi sự rung động hoặc đu đưa qua lại có thể cho thấy việc lắp đặt không đạt yêu cầu hoặc đĩa mài được cân bằng kém.
- Sử dụng bề mặt của đầu mài chỉ định để thực hiện mài.**

- Không để mặc dụng cụ hoạt động.** Chỉ vận hành dụng cụ khi cầm trên tay.
- Không chạm vào phôi gia công ngay sau khi vận hành; chúng có thể rất nóng và có thể gây bỏng da.**
- Tuân thủ các hướng dẫn của nhà sản xuất để gắn và sử dụng chính xác các đĩa mài.** Xử lý và lưu trữ các đĩa mài cẩn thận.
- Không sử dụng các ống đệm giảm thiểu riêng biệt hoặc các bộ tiếp nối để lắp các đĩa nhám có lỗ lớn vào.**
- Chỉ sử dụng các mặt bích được quy định cho dụng cụ này.**
- Đối với các dụng cụ dự định sẽ được trang bị đĩa mài lỗ có ren, đảm bảo rằng các ren trong đĩa mài đủ dài để chấp nhận chiều dài trục quay.**
- Kiểm tra xem phôi gia công đã được kê đỡ đầy đủ chưa.**
- Chú ý rằng đĩa mài sẽ tiếp tục quay sau khi tắt dụng cụ.**
- Nếu nơi làm việc rất nóng và ẩm ướt, hoặc bị ô nhiễm nặng bởi bụi dẫn điện, hãy dùng bộ ngắt điện đoản mạch (30 mA) để bảo đảm an toàn cho người vận hành.**
- Không dùng dụng cụ này trên bất kỳ vật liệu nào có chứa amiăng.**
- Không sử dụng găng tay làm việc bằng vải trong khi vận hành.** Sợi từ găng tay bằng vải có thể đi vào dụng cụ, làm dụng cụ hư hỏng.

## LƯU GIỮ CÁC HƯỚNG DẪN NÀY.

**⚠ CẢNH BÁO: KHÔNG** vì đã thoải mái hay quen thuộc với sản phẩm (có được do sử dụng nhiều lần) mà không tuân thủ nghiêm ngặt các quy định về an toàn dành cho sản phẩm này. **VIỆC DÙNG SAI** hoặc không tuân theo các quy định về an toàn được nêu trong tài liệu hướng dẫn này có thể dẫn đến thương tích cá nhân nghiêm trọng.

## MÔ TẢ CHỨC NĂNG

**⚠ THẬN TRỌNG:** Luôn bảo đảm rằng dụng cụ được tắt điện và rút phích cắm trước khi điều chỉnh hoặc kiểm tra chức năng của dụng cụ.

### Khóa trục

Nhấn khóa trục để ngăn xoay trụ quay khi lắp hoặc tháo phụ kiện.

► Hình 1: 1. Khóa trục

**CHÚ Ý:** Không bao giờ kích hoạt khóa trục khi trục quay đang di chuyển. Dụng cụ có thể bị hư hỏng.

## Hoạt động công tắc

**⚠ THẬN TRỌNG:** Trước khi cắm điện vào dụng cụ, luôn luôn kiểm tra xem công tắc trượt có hoạt động bình thường hay không và trả về vị trí "OFF" (TẮT) khi nhấn phần sau của công tắc trượt.

**⚠ THẬN TRỌNG:** Công tắc có thể khóa ở vị trí "ON" (BẬT) để người vận hành dễ dàng thuận tiện trong quá trình sử dụng kéo dài. Cần hết sức cẩn trọng khi khóa dụng cụ ở vị trí "ON" (BẬT) và phải luôn giữ chặt dụng cụ.

Để khởi động dụng cụ, đẩy công tắc trượt về vị trí "I (ON)" (BẬT) bằng cách đẩy phần sau của công tắc trượt. Để hoạt động liên tục, bấm phần trước của công tắc trượt để khóa lại.

Để ngừng dụng cụ, bấm phần sau của công tắc trượt, sau đó trượt nó về vị trí "O (OFF)" (TẮT).

► **Hình2:** 1. Công tắc trượt

## LẮP RÁP

**⚠ THẬN TRỌNG:** Luôn luôn đảm bảo rằng dụng cụ đã được tắt và tháo phích cắm trước khi dùng dụng cụ thực hiện bất cứ công việc nào.

### Lắp đặt tay cầm hông (tay cầm)

*Phụ kiện tùy chọn dành cho MT964 ở một số quốc gia*

**⚠ THẬN TRỌNG:** Luôn đảm bảo rằng tay cầm hông được gắn chặt trước khi vận hành.

Vặn tay cầm hông thật chặt trên vị trí của dụng cụ như thể hiện trên hình vẽ.

► **Hình3**

### Lắp hoặc tháo phần bảo vệ đĩa mài (Dành cho đĩa mài trung tâm bị nén xuống)

**⚠ CẢNH BÁO:** Khi sử dụng đĩa mài trung tâm bị nén xuống, phần bảo vệ đĩa mài phải được trang bị trên dụng cụ sao cho bên đóng lại của phần bảo vệ luôn chỉ về phía người vận hành.

Gắn phần bảo vệ đĩa mài với phần nhô ra trên đai của phần bảo vệ đĩa để căn chỉnh các rãnh khía trên hộp ổ đệm. Sau đó quay phần bảo vệ đĩa sang góc mà có thể bảo vệ người vận hành tùy theo công việc. Đảm bảo đã vặn chặt bu-lông sáu cạnh.

Để tháo phần bảo vệ đĩa, hãy làm ngược lại quy trình lắp vào.

► **Hình4:** 1. Phần bảo vệ đĩa 2. Hộp ổ đệm 3. Vít

## Lắp hoặc tháo đĩa mài trung tâm bị nén xuống

*Phụ kiện tùy chọn*

**⚠ CẢNH BÁO:** Khi sử dụng đĩa mài trung tâm bị nén xuống, phần bảo vệ đĩa mài phải được trang bị trên dụng cụ sao cho bên đóng lại của phần bảo vệ luôn chỉ về phía người vận hành.

**⚠ THẬN TRỌNG:** Đảm bảo rằng phần gắn của vành trong vừa khít với đường kính trong của đĩa mài trung tâm bị nén xuống. Việc gắn vành trong sai mặt có thể gây ra rung động nguy hiểm.

Gắn vành trong lên trụ quay. Đảm bảo đã gắn bộ phận thẳng của vành trong lên bộ phận thẳng ở đáy trụ quay. Gắn khít đĩa mài trung tâm bị nén xuống trên vành trong và vặn đai ốc khóa lên trụ quay.

Trong trường hợp gắn đĩa mài trung tâm bị nén xuống mà nó mỏng hơn 4 mm (5/32"), hãy đặt đai ốc khóa sao cho phần nhô ra của nó hướng ra ngoài. Nếu không, hãy đặt đai ốc khóa sao cho phần nhô ra của nó vừa khít với đường kính trong của đĩa mài.

► **Hình5:** 1. Đai ốc khóa 2. Đĩa mài trung tâm bị nén xuống 3. Vành trong 4. Phần gắn

Để vặn chặt đai ốc khóa, hãy nhấn khóa trực sao cho trụ quay không thể xoay, sau đó sử dụng cờ lê đai ốc khóa và vặn chặt lại theo chiều kim đồng hồ.

► **Hình6:** 1. Cờ-lê khóa đai ốc 2. Khóa trực

Để tháo đĩa mài, hãy làm ngược lại quy trình lắp vào.

## VẬN HÀNH

**⚠ CẢNH BÁO:** Không cần thiết phải dùng lực lên dụng cụ. Khối lượng của dụng cụ sẽ gây ra một áp lực thích hợp. Dùng lực và dùng lực quá nhiều có thể gây vỡ đĩa mài rất nguy hiểm.

**⚠ CẢNH BÁO:** LUÔN thay đĩa mài nếu dụng cụ bị rơi ra trong khi mài.

**⚠ CẢNH BÁO:** KHÔNG BAO GIỜ đập hoặc dụng vào đĩa mài hoặc đĩa đang làm việc.

**⚠ CẢNH BÁO:** Tránh dồn ép hoặc vướng vào đĩa mài, đặc biệt là khi làm việc với các góc, cạnh nhọn, v.v... Điều này có thể gây mất kiểm soát và tạo lực đẩy ngược.

**⚠ CẢNH BÁO:** KHÔNG BAO GIỜ sử dụng dụng cụ có lưỡi cắt gỗ và các loại lưỡi cưa khác. Các loại lưỡi như vậy khi được sử dụng trên máy mài sẽ thường xuyên gây giật và làm mất kiểm soát dẫn đến thương tích cá nhân.

**⚠ THẬN TRỌNG:** Không bao giờ bật dụng cụ lên khi nó đang tiếp xúc với phôi gia công, điều này có thể gây thương tích cho người vận hành.

**⚠ THẬN TRỌNG:** Luôn mang kính bảo hộ hoặc mặt nạ bảo vệ mắt trong khi vận hành.

**⚠ THẬN TRỌNG:** Sau khi vận hành, luôn tắt dụng cụ và chờ đến khi đĩa mài dừng hoàn toàn trước khi đặt dụng cụ xuống.

**⚠ THẬN TRỌNG:** LUÔN cầm chắc dụng cụ bằng một tay đặt lên vỏ dụng cụ và tay kia đặt lên tay cầm hông (tay nắm).

## Thao tác mài

Bật dụng cụ lên và sau đó sử dụng đĩa mài hoặc đĩa cho phôi gia công.

Nói chung, hãy giữ cạnh đĩa mài hoặc đĩa ở một góc khoảng 15° so với bề mặt phôi gia công.

Trong giai đoạn đưa đĩa mài mới vào, không làm việc khi máy mài đang hướng về trước, nếu không nó có thể cắt vào phôi gia công. Một khi các cạnh của đĩa mài đã được bo tròn bằng cách sử dụng, các đĩa mài có thể được làm việc ở cả hai hướng về trước và về sau.

## Không có tay cầm hông

*chỉ dành cho MT964*

LUÔN cầm chắc dụng cụ bằng một tay trên phần vỏ. Không được chạm vào phần kim loại.

► Hình 7

## Có tay cầm hông

*phụ kiện tùy chọn dành cho MT964 ở một số quốc gia*

LUÔN cầm chắc dụng cụ bằng một tay đặt lên vỏ dụng cụ và tay kia đặt lên tay cầm hông.

► Hình 8

## BẢO TRÌ

**⚠ THẬN TRỌNG:** Luôn bảo đảm rằng dụng cụ được tắt điện và rút phích cắm trước khi thử thực hiện việc kiểm tra hoặc bảo trì.

**CHÚ Ý:** Không được phép dùng xăng, ét xăng, dung môi, cồn hoặc hóa chất tương tự. Có thể xảy ra hiện tượng mất màu, biến dạng hoặc nứt vỡ.

Để đảm bảo AN TOÀN và TIN CẬY của sản phẩm, việc sửa chữa, việc kiểm tra và thay thế chổi các-bon, hoặc bất cứ thao tác bảo trì, điều chỉnh nào đều phải được thực hiện bởi các Trung tâm Dịch vụ Nhà máy hoặc Trung tâm Được Ủy quyền của Makita, luôn sử dụng các phụ tùng thiết bị thay thế của Makita.

## ข้อมูลจำเพาะ

รุ่น:	MT964	MT966
เส้นผ่านศูนย์กลางลูกกลิ้ง	100 mm	125 mm
ความหนาล้อสูงสุด	4 mm	6.4 mm
แกนเสียบ	M10 x 1.5	M14 x 2
อัตราความเร็ว (n)/ ความเร็วหมุนเปล่า (n <sub>0</sub> )	11,000 min <sup>-1</sup>	
ความยาวโดยรวม	261 mm	
น้ำหนักสุทธิ	1.6 kg	1.9 kg
มาตรฐานความปลอดภัย	□/	

- เนื่องจากการค้นคว้าวิจัยและพัฒนาอย่างต่อเนื่อง ข้อมูลจำเพาะในเอกสารฉบับนี้อาจเปลี่ยนแปลงได้โดยไม่ต้องแจ้งให้ทราบล่วงหน้า
- ข้อมูลจำเพาะอาจแตกต่างกันไปในแต่ละประเทศ
- น้ำหนักตามข้อบังคับของ EPTA 01/2003

## สัญลักษณ์

ต่อไปนี้เป็นสัญลักษณ์ที่ใช้สำหรับอุปกรณ์ โปรดศึกษาความหมายของสัญลักษณ์ให้เข้าใจก่อนการใช้งาน



อ่านคู่มือการใช้งาน



สวมแว่นตานิรภัย



ฉนวนสองชั้น



สำหรับประเทศในสหภาพยุโรปเท่านั้น ห้ามตั้งอุปกรณ์ไฟฟ้ารวมกับขยะครัวเรือนทั่วไป เพื่อให้เป็นไปตามกฎระเบียบของยุโรปเกี่ยวกับขยะจำพวกอุปกรณ์ไฟฟ้าและอิเล็กทรอนิกส์ และการปฏิบัติตามกฎหมายในประเทศ ต้องเก็บอุปกรณ์ไฟฟ้าทั้งหมดอายุการใช้งานแล้วแยกต่างหาก และส่งกลับไปยังศูนย์รีไซเคิลที่เป็นมิตรต่อสิ่งแวดล้อม

## จุดประสงค์การใช้งาน

เครื่องมือชนิดนี้ใช้เพื่อขัดโลหะและหิน โดยไม่ต้องใช้น้ำ

## แหล่งจ่ายไฟ

ควรเชื่อมต่อเครื่องมือกับแหล่งจ่ายไฟที่มีแรงดันไฟฟ้าตามที่ระบุไว้ในป้ายข้อมูลของเครื่องมือ และต้องใช้ไฟฟ้ากระแสสลับแบบเฟสเดียวเท่านั้น อุปกรณ์นี้ได้รับการคุ้มครองสองชั้นและสามารถเข้ากับปลั๊กไฟที่ไม่มีสายดินได้

## คำเตือนด้านความปลอดภัย

คำเตือนด้านความปลอดภัยของเครื่องมือไฟฟ้าทั่วไป

**คำเตือน:** อ่านคำเตือนด้านความปลอดภัยและคำแนะนำทั้งหมด การไม่ปฏิบัติตามคำเตือนและคำแนะนำดังกล่าวอาจส่งผลให้ไฟฟ้าช็อต ไฟไหม้ และ/หรือได้รับบาดเจ็บร้ายแรง

เก็บรักษาคำเตือนและคำแนะนำทั้งหมดไว้

เป็นข้อมูลอ้างอิงในขนาด

คำว่า “เครื่องมือไฟฟ้า” ในคำเตือนนี้หมายถึงเครื่องมือไฟฟ้า (มีสาย) ที่ทำงานโดยใช้กระแสไฟฟ้าหรือเครื่องมือไฟฟ้า (ไร้สาย) ที่ทำงานโดยใช้แบตเตอรี่

## ความปลอดภัยของพื้นที่ทำงาน

1. ดูแลพื้นที่ทำงานให้มีความสะอาดและมีแสงไฟสว่าง พื้นที่รกกระะระหรือมืดที่บอาจนำไปสู่การเกิดอุบัติเหตุได้
2. อย่าใช้งานเครื่องมือไฟฟ้าในสภาพที่อาจเกิดการระเบิด เช่น ในสถานที่ที่มีของเหลว ก๊าซ หรือฝุ่นที่มีคุณสมบัติไวไฟ เครื่องมือไฟฟ้าอาจสร้างประกายไฟและจุดชนวนฝุ่นผงหรือก๊าซดังกล่าว
3. ดูแลไม่ให้มีเด็ก หรือบุคคลอื่นอยู่ในบริเวณที่กำลังใช้เครื่องมือไฟฟ้า การมีสิ่งรบกวนสมาธิอาจทำให้คุณสูญเสียการควบคุม

## ความปลอดภัยด้านไฟฟ้า

1. ปลั๊กของเครื่องมือไฟฟ้าต้องพอดีกับเต้ารับ อย่าดัดแปลงปลั๊กไม่ว่ากรณีใดๆ อย่าใช้ปลั๊กอะแดปเตอร์กับเครื่องมือไฟฟ้าที่ต่อสายดิน ปลั๊กที่ไม่ถูกดัดแปลงและเต้ารับที่เข้ากันพอดีจะช่วยลดความเสี่ยงของการเกิดไฟฟ้าช็อต
2. ระวังอย่าให้ร่างกายสัมผัสกับพื้นผิวที่ต่อสายดิน เช่น ท่อ เครื่องนำความร้อน เต้าหุงต้ม และตู้เย็น มีความเสี่ยงที่จะเกิดไฟฟ้าช็อตสูงขึ้น หากร่างกายของคุณสัมผัสกับพื้น
3. อย่าให้เครื่องมือไฟฟ้าถูกน้ำหรืออยู่ในสภาพเปียกชื้น น้ำที่ไหลเข้าไปในเครื่องมือไฟฟ้าจะเพิ่มความเสี่ยงของการเกิดไฟฟ้าช็อต
4. อย่าใช้สายไฟอย่างไม่เหมาะสม อย่าใช้สายไฟเพื่อยก ดึง หรือถอดปลั๊กเครื่องมือไฟฟ้า เก็บสายไฟให้ห่างจากความร้อน น้ำมัน ของมีคม หรือชิ้นส่วนที่เคลื่อนที่ สายที่ชำรุดหรือพันกันจะเพิ่มความเสี่ยงของการเกิดไฟฟ้าช็อต
5. ขณะที่ใช้งานเครื่องมือไฟฟ้านอกอาคาร ควรใช้สายต่อพ่วงที่เหมาะสมกับงานภายนอกอาคาร การใช้สายที่เหมาะสมกับงานภายนอกอาคารจะลดความเสี่ยงของการเกิดไฟฟ้าช็อต
6. หากต้องใช้งานเครื่องมือไฟฟ้าในสถานที่เปียกชื้น ให้ใช้อุปกรณ์ป้องกันกระแสไฟรั่ว (RCD) การใช้ RCD จะลดความเสี่ยงของการเกิดไฟฟ้าช็อต
7. แนะนำให้ใช้แหล่งจ่ายไฟผ่าน RCD ที่มีกระแสไฟรั่วในอัตราไม่เกิน 30 mA เสมอ

## ความปลอดภัยส่วนบุคคล

1. ให้ระมัดระวังและมึสติอยู่เสมอขณะใช้งานเครื่องมือไฟฟ้า อย่าใช้งานเครื่องมือไฟฟ้าในขณะที่คุณกำลังเหนื่อย หรือในสภาพที่มึนเมาจากยาเสพติด เครื่องดื่ม แอลกอฮอล์ หรือการกินยา ช่วงเวลาที่ขาดความระมัดระวังเมื่อกำลังใช้งานเครื่องมือไฟฟ้าอาจทำให้ได้รับบาดเจ็บร้ายแรง
2. ใช้อุปกรณ์ป้องกันส่วนบุคคล สวมแว่นตาป้องกันเสมอ อุปกรณ์ป้องกัน เช่น หน้ากากกันฝุ่น รองเท้านิรภัย กันสั่น หมวกนิรภัย หรือเครื่องป้องกันการได้ยินที่ใช้ในสภาพที่เหมาะสมจะช่วยลดการบาดเจ็บ
3. ป้องกันไม่ให้เกิดการเปิดใช้งานโดยไม่ตั้งใจ ตรวจสอบให้แน่ใจว่าสวิตช์ปิดอยู่ก่อนที่จะเชื่อมต่อกับแหล่งจ่ายไฟ และ/หรือชุดแบตเตอรี่ รวมทั้งตรวจสอบก่อนการยกหรือเคลื่อนย้ายเครื่องมือ การสอดนิ้วมือบริเวณสวิตช์เพื่อถือเครื่องมือไฟฟ้า หรือการชาร์จไฟเครื่องมือไฟฟ้าในขณะที่เปิดสวิตช์อยู่อาจนำไปสู่การเกิดอุบัติเหตุ
4. นำกฎแฉปรับตั้งหรือประแจออกก่อนที่จะเปิดเครื่องมือไฟฟ้า ประแจหรือกฎแฉที่เสียบค้างอยู่ในชิ้นส่วนที่หมุนไต่ของเครื่องมือไฟฟ้าอาจทำให้ได้รับบาดเจ็บ
5. อย่าทำงานในระยะที่สูดเอื้อม จัดท่าการยืนและการทรงตัวให้เหมาะสมตลอดเวลา เพราะจะทำให้ควบคุมเครื่องมือไฟฟ้าได้ดีขึ้นในสถานการณ์ที่ไม่คาดคิด
6. แต่งกายให้เหมาะสม อย่าสวมเครื่องแต่งกายที่หลวมเกินไป หรือสวมเครื่องประดับ ดูแลไม่ให้เส้นผม เสื้อผ้า และถุงมืออยู่ใกล้ชิ้นส่วนที่เคลื่อนที่ เสื้อผ้า รุ่มร่าม เครื่องประดับ หรือผมที่มีความยาวอาจเข้าไปติดในชิ้นส่วนที่เคลื่อนที่
7. หากมีการจัดอุปกรณ์สำหรับดูดและจับฝุ่นไว้ในสถานที่ ให้ตรวจสอบว่าได้เชื่อมต่อและใช้งานอุปกรณ์นั้นอย่างเหมาะสม การใช้เครื่องดูดและจับฝุ่นจะช่วยลดอันตรายที่เกิดจากฝุ่นผงได้

## การใช้และดูแลเครื่องมือไฟฟ้า

1. อย่าฝืนใช้เครื่องมือไฟฟ้า ใช้เครื่องมือไฟฟ้าที่เหมาะสมกับการใช้งานของคุณ เครื่องมือไฟฟ้าที่เหมาะสมจะทำให้ได้งานที่มีประสิทธิภาพและปลอดภัยกว่าตามขีดความสามารถของเครื่องที่ได้รับการออกแบบมา
2. อย่าใช้เครื่องมือไฟฟ้า หากสวิตช์ไม่สามารถเปิดปิดได้ เครื่องมือไฟฟ้าที่ควบคุมด้วยสวิตช์ไม่ได้เป็นสิ่งอันตรายและต้องได้รับการซ่อมแซม

## คำเตือนด้านความปลอดภัยของเครื่องขัด

3. ถอดปลั๊กจากแหล่งจ่ายไฟ และ/หรือชุดแบตเตอรี่ออกจากเครื่องมือไฟฟ้าก่อนทำการปรับตั้ง เปลี่ยนอุปกรณ์เสริม หรือจัดเก็บเครื่องมือไฟฟ้า วิธีการป้องกันด้านความปลอดภัยดังกล่าวจะช่วยลดความเสี่ยงของการเปิดใช้งานเครื่องมือไฟฟ้าอย่างไม่ตั้งใจ
4. จัดเก็บเครื่องมือไฟฟ้าที่ไม่ได้ใช้งานให้ห่างจากมือเด็ก และอย่าอนุญาตให้บุคคลที่ไม่คุ้นเคยกับเครื่องมือไฟฟ้าหรือคำแนะนำเหล่านี้ใช้งานเครื่องมือไฟฟ้า เครื่องมือไฟฟ้าจะเป็นอันตรายเมื่ออยู่ในมือของผู้ที่ไม่ได้รับการฝึกอบรม
5. การดูแลรักษาเครื่องมือไฟฟ้า ตรวจสอบการประกอบที่ไม่ถูกต้องหรือการเชื่อมต่อของชิ้นส่วนที่เคลื่อนที่ การแตกหักของชิ้นส่วน หรือสภาพอื่น ๆ ที่อาจส่งผลกระทบต่อการทำงานของเครื่องมือไฟฟ้า หากมีความเสียหาย ให้นำเครื่องมือไฟฟ้าไปซ่อมแซมก่อนการใช้งาน อุบัติเหตุจำนวนมากเกิดจากการดูแลรักษาเครื่องมือไฟฟ้าอย่างไม่ถูกต้อง
6. ทำความสะอาดเครื่องมือตัดและลับให้คมอยู่เสมอ เครื่องมือการตัดที่มีการดูแลอย่างถูกต้องและมีขอบการตัดคมมักจะมีความปลอดภัยน้อยและควบคุมได้ง่ายกว่า
7. ใช้เครื่องมือไฟฟ้า อุปกรณ์เสริม และวัสดุสิ้นเปลือง ฯลฯ ตามคำแนะนำดังกล่าว พิจารณาสภาพการทำงานและงานที่จะลงมือทำ การใช้เครื่องมือไฟฟ้าเพื่อทำงานอื่นนอกเหนือจากที่กำหนดไว้ อาจทำให้เกิดอันตราย

### การซ่อมบำรุง

1. นำเครื่องมือไฟฟ้าเข้ารับบริการจากช่างซ่อมที่ผ่านการรับรองโดยใช้อะไหล่แบบเดียวกันเท่านั้น เพราะจะทำให้การใช้เครื่องมือไฟฟ้ามีความปลอดภัย
2. ปฏิบัติตามคำแนะนำในการหล่อลื่นและการเปลี่ยนอุปกรณ์เสริม
3. ดูแลมือจับให้แห้ง สะอาด และไม่มีน้ำมันและจาระบีเปื้อน

### คำเตือนด้านความปลอดภัยสำหรับการทำงานขัด:

1. เครื่องมือไฟฟ้าชนิดนี้ มีจุดประสงค์เพื่อใช้เป็นเครื่องขัด โปรต่าน คำเตือนด้านความปลอดภัย คำแนะนำ ภาพประกอบ และข้อมูลจำเพาะต่างๆ ที่ห่มกับเครื่องมือไฟฟ้านี้ อย่างละเอียด การไม่ปฏิบัติตามคำแนะนำดังกล่าว อาจส่งผลให้เกิดไฟฟ้าช็อต ไฟไหม้ และ/หรือได้รับบาดเจ็บอย่างร้ายแรงได้
2. ไม่แนะนำให้ใช้เครื่องมือไฟฟ้านี้ในการไส การใช้แปรงลวดขัด การขัดเงา หรือการตัด การใช้งานเครื่องมือไฟฟ้านี้โดยผิดจุดประสงค์การใช้งาน อาจจะเป็นสาเหตุของอันตรายและการบาดเจ็บได้
3. อย่าใช้อุปกรณ์เสริมที่ไม่ได้ออกแบบและแนะนำโดยผู้ผลิตเครื่องมือนี้ การที่อุปกรณ์เสริมต่างๆ สามารถติดตั้งเข้ากับเครื่องมือไฟฟ้าของคุณได้นั้น ไม่ได้เป็นการรับประกันว่าจะสามารถใช้งานร่วมกับอุปกรณ์ดังกล่าวได้อย่างปลอดภัย
4. อัตราความเร็วของอุปกรณ์เสริมนั้นอย่างน้อยต้องเท่ากับความเร็วสูงสุดที่ระบุไว้ในเครื่องมือไฟฟ้านี้ อุปกรณ์เสริมที่ทำงานด้วยความเร็วกว่าอัตราความเร็วของตนเอง อาจแตกหักหรือกระเด็นออกมาได้
5. เส้นผ่านศูนย์กลางภายนอกและความหนาของอุปกรณ์เสริมของคุณจะต้องอยู่ในอัตราความสามารถของเครื่องมือไฟฟ้าของคุณ อุปกรณ์เสริมที่มีขนาดไม่เหมาะสมจะไม่สามารถควบคุมหรือป้องกันได้อย่างมีประสิทธิภาพ
6. รูตูดั้งของอุปกรณ์เสริมต้องมีขนาดพอดีกับแกนเสียบของเครื่องขัด สำหรับอุปกรณ์ที่ใช้การติดตั้งแบบครีป ร่องของอุปกรณ์ต้องมีขนาดพอดีกับเส้นผ่านศูนย์กลางของครีป อุปกรณ์เสริมที่มีขนาดของส่วนติดตั้งไม่พอดีกับส่วนติดตั้งอุปกรณ์ของเครื่องมือไฟฟ้า จะทำให้ไม่สามารถทำงานได้อย่างสมดุล มีอาการสั่นมากเกินไป และอาจทำให้ไม่สามารถควบคุมได้
7. ห้ามใช้อุปกรณ์เสริมที่เสียหาย ก่อนการใช้งานทุกครั้ง โปรดตรวจสอบอุปกรณ์ต่างๆ เช่น หาชะชิ้นส่วนและรอยแตกบนลูกกลิ้งขัด ตรวจสอบการแตกขรุขระของแผ่นรองหลังกระดาษทราย หากอุปกรณ์เสริมของเครื่องมือไฟฟ้าตกลงพื้น ให้ตรวจสอบความเสียหายและติดตั้งอุปกรณ์เสริมที่ไม่มี ความเสียหาย หลังจากการตรวจสอบและการติดตั้งอุปกรณ์เสริม ให้ตัวคุณเองและผู้อยู่ใกล้เคียงอยู่ห่างจากบริเวณที่อุปกรณ์หมุน และเปิดเครื่องมือไฟฟ้าที่ความเร็วหมุนเปล่าสูงสุดเป็นเวลาหนึ่งนาที โดยปกติแล้ว อุปกรณ์เสริมที่เสียหายจะแตกออกในระหว่างเวลาการทดสอบนี้

8. สวมอุปกรณ์ป้องกันส่วนบุคคล ซึ่งอยู่กับรูปแบบการ  
ใช้งานของคุณ ให้ใช้หน้ากาก หน้ากากนิรภัยหรือแว่น  
นิรภัย สวมหมวกป้องกันฝุ่น ที่ป้องกันเสียง ถุงมือ  
และผ้ากันเปื้อนที่สามารถป้องกันการกระเด็นของชิ้น  
งานได้ตามความเหมาะสม อุปกรณ์ป้องกันดวงตาจะ  
ต้องสามารถป้องกันฝุ่นหรือสิ่งสกปรกที่กระเด็นจาก  
การทำงานได้ หน้ากากป้องกันฝุ่นหรือที่ช่วยหายใจ  
จะต้องสามารถกรองอนุภาคที่เกิดจากการทำงานของคุณได้ การฟังเสียงดังมาก เป็นเวลานาน อาจทำให้  
ระบบการได้ยินเสียหายได้
9. โปรดทำให้ผู้ไม่เกี่ยวข้องอยู่ห่างจากบริเวณที่ปฏิบัติ  
งานในระยะเวลาปกติ ผู้ที่เข้าพื้นที่ปฏิบัติงานจะต้อง  
สวมอุปกรณ์ป้องกันส่วนบุคคล เช่นหมวกหรือ  
อุปกรณ์ที่แตกหักอาจจะกระเด็นและก่อให้เกิดอาการ  
บาดเจ็บในสถานที่รอบๆ บริเวณปฏิบัติงานได้
10. ถือเครื่องมือบริเวณเมื่อจับที่เป็นฉนวนเท่านั้น ขณะ  
ทำงานที่เครื่องมือตัดอาจสัมผัสกับสายไฟที่ซ่อนอยู่  
หรือสายไฟของเครื่องเอง หากอุปกรณ์ส่วนที่ใช้ตัด  
เกิดสัมผัสกับสายไฟที่ “มีกระแสไฟฟ้ไหลผ่าน” อาจ  
ทำให้ส่วนที่เป็นโลหะของเครื่องมือไฟฟ้าที่ไม่มีฉนวน  
หุ้มเกิดกระแสไฟฟ้าไหลผ่านได้ และส่งผลให้ผู้ปฏิบัติ  
งานถูกไฟฟ้าช็อต
11. จัดให้สายไฟอยู่ในบริเวณที่ห่างจากอุปกรณ์ที่หมุน  
หากคุณสูญเสียการควบคุม สายไฟอาจจะถูกตัดหรือ  
ถูกดึงทำให้มือหรือแขนของคุณถูกดึงเข้าไปในอุปกรณ์  
ที่หมุนได้
12. อย่าวางเครื่องมือไฟฟ้าลงจนกว่าจะหยุดหมุนสนิท  
อุปกรณ์ที่กำลังหมุนอาจจะกระทบกับพื้นผิวและทำให้  
เครื่องมือไฟฟ้าหลุดมือคุณได้
13. อย่าเปิดเครื่องมือไฟฟ้าเมื่อถือไว้ข้างตัวคุณ เนื่องจากการ  
สัมผัสกับอุปกรณ์ที่กำลังหมุนโดยไม่ตั้งใจนั้น  
อาจพันกับเสื้อผ้าของคุณและดึงอุปกรณ์เข้าสู่ร่างกาย  
ของคุณได้
14. โปรดทำความสะอาดระบายอากาศของเครื่องมือ  
ไฟฟ้าอย่างสม่ำเสมอ พัดลมของมอเตอร์จะดูดฝุ่น  
เข้าไปในตัวเครื่องและการมีผงโลหะในตัวเครื่องมาก  
เกินไปอาจทำให้เกิดอันตรายจากการแผลไฟฟ้าได้
15. อย่าใช้เครื่องมือไฟฟ้าใกล้ๆ วัสดุที่ติดไฟได้ เนื่องจาก  
ประกายไฟอาจทำให้วัสดุดังกล่าวติดไฟ
16. อย่าใช้อุปกรณ์เสริมที่ต้องใช้ของเหลวเพื่อระบาย  
ความร้อน การใช้น้ำหรือของเหลวเพื่อระบายความ  
ร้อนอื่นๆ อาจทำให้เกิดไฟฟ้าดูดได้

คำเตือนเกี่ยวกับการติดกลับและสิ่งที่เกี่ยวข้อง  
การติดกลับคือการตอบสนองโดยฉับพลันเมื่อเกิดการ  
สะดุดหรือติดขัดของลูกล้อ แผ่นหลัง แปรง หรืออุปกรณ์  
เสริมอื่นๆ ที่กำลังหมุน การสะดุดหรือการติดขัดจะทำให้  
อุปกรณ์ที่กำลังหมุนบักหัวลงอย่างรวดเร็วซึ่งเป็นสาเหตุให้  
เครื่องมือไฟฟ้าที่ไม่สามารถควบคุมได้เกิดแรงสะท้อนกลับ  
ไปยังทิศทางตรงข้ามกับการหมุน  
ตัวอย่างเช่น หากลูกล้อขั้วนั้นสะดุดหรือติดขัดกับชิ้นงาน  
ขอบของลูกล้อที่เข้าไปยังจุดติดขัดจะเฉาะเข้าไปยังพื้นผิว  
ของวัสดุและทำให้ลูกล้อดีดตัวขึ้นมา ลูกล้อดังกล่าวอาจ  
จะกระเด็นเข้าหาหรือออกห่างตัวผู้ปฏิบัติงาน ทั้งนี้ขึ้นอยู่กับ  
ทิศทางของการหมุนของลูกล้อเมื่อเกิดการสะดุด ในกรณีนี้  
กล่าว ลูกล้อขัดอาจจะแตกหักได้ด้วย  
การติดกลับเป็นผลมาจากการใช้เครื่องมือไฟฟ้าผิดจุด  
ประสงค์ และ/หรือ การใช้ผิดวิธี และสามารถป้องกันได้โดย  
ใช้วิธีการป้องกันดังต่อไปนี้

1. จับตามจับเครื่องมือไฟฟ้าให้แน่นและจัดตำแหน่ง  
ร่างกายและแขนให้สามารถต้านทานแรงติดกลับได้  
ใช้มือจับเสริมเสมอ ถ้ามี เพื่อให้สามารถควบคุมการ  
ติดกลับหรือการสะท้อนของแรงบิดในระหว่างการเริ่ม  
ทำงานได้อย่างมีประสิทธิภาพ ผู้ปฏิบัติงานจะสามารถ  
ควบคุมแรงสะท้อนของแรงบิดหรือแรงบิดกลับได้หาก  
ดำเนินการป้องกันอย่างเหมาะสม
2. อย่าเอามือไว้ใกล้อุปกรณ์หมุน อุปกรณ์ดังกล่าวอาจ  
ติดกลับใส่มือคุณได้
3. อย่าอยู่ในบริเวณที่อาจจะโดนเครื่องมือหากมีการติด  
กลับเกิดขึ้น การติดกลับจะทำให้เครื่องมือสะบัดไปยัง  
ทิศทางตรงกันข้ามของการเคลื่อนไหวของลูกล้อเมื่อ  
เกิดการสะดุด
4. ใช้ความระมัดระวังเป็นพิเศษเพื่อปฏิบัติงานกับมุม  
ขอบที่มีความแหลมคม ฯลฯ หลีกเลี่ยงการกระแทก  
และการติดขัดของอุปกรณ์ มุม ขอบที่มีความ  
แหลมคม หรือการกระแทกนั้นอาจทำให้เกิดการสะดุด  
ของอุปกรณ์หมุนและทำให้เสียการควบคุมหรือการติด  
กลับได้
5. อย่าติดตั้งโมดลีสลับแบบใช้หรือใบเลื่อยแบบซี่ โบบิต  
แบบดังกล่าวมักจะทำให้เกิดการติดกลับและสูญเสีย  
การควบคุม

คำเตือนด้านความปลอดภัยพิเศษสำหรับการขาด:

1. ใช้แต่ลูกล้อชนิดที่เครื่องมือไฟฟ้าของคุณกำหนดและ  
อุปกรณ์ป้องกันที่ออกแบบมาเพื่อลูกล้อที่ใช้เท่านั้น  
ลูกล้อที่ไม่ได้ออกแบบมาเพื่อใช้กับเครื่องมือไฟฟ้า  
จะไม่ได้รับการปกป้องอย่างมีประสิทธิภาพและเป็น  
อันตราย



- พื้นผิวขัดของใบเจียศูนย์จุมจะต้องติดตั้งอยู่ด้านล่างของระนาบขอบที่ป้องกัน ล้อที่ติดตั้งอย่างไม่ถูกต้องซึ่งยื่นออกมาจากแนวระนาบของขอบที่ป้องกันจะไม่ได้รับการป้องกันที่เพียงพอ
- ที่ป้องกันจะต้องยึดไว้กับเครื่องมือไฟฟ้าอย่างแน่นหนาและวางไว้ในตำแหน่งที่มีความปลอดภัยสูงสุด เพื่อให้ส่วนล้อหันเข้าหาผู้ปฏิบัติงานน้อยที่สุด ที่ป้องกันจะช่วยให้การป้องกันผู้ปฏิบัติงานจากเศษลื้อที่แตก การสัมผัสกับลื้อโดยไม่ตั้งใจ และประกายไฟที่อาจทำให้เสื้อผ้าติดไฟ
- ต้องใช้งานลื้อในลักษณะการใช้งานที่แนะนำเท่านั้น ตัวอย่างเช่น อย่าขัดด้วยด้านข้างของลูกลื้อตัด ลูกลื้อตัดแบบขัดใช้เพื่อขัดรอบวง แร่งด้านข้างที่กระทำต่อลูกลื้อเหล่านี้อาจทำให้ลูกลื้อแตกและเฉียดได้
- ใช้แต่แกนลูกลื้อที่ไม่เสียหายและมีขนาดและรูปทรงตรงกับลูกลื้อที่ใช้เท่านั้น แกนลื้อที่ถูกตัดจะรองรับลูกลื้อได้อย่างมีประสิทธิภาพจึงสามารถลดโอกาสในการเสียหายของลูกลื้อได้ แกนสำหรับลื้อตัดอาจแตกต่างจากแกนลื้อขัด
- อย่าใช้ลื้อที่สึกหรอจากเครื่องมือไฟฟ้าที่มีขนาดใหญ่กว่า ล้อที่ใช้สำหรับเครื่องมือไฟฟ้าที่มีขนาดใหญ่กว่าไม่เหมาะกับเครื่องมือขนาดเล็กที่มีความเร็วสูงกว่า และอาจจะระเบิดได้

คำเตือนด้านความปลอดภัยเพิ่มเติม:

- เมื่อใช้ใบเจียศูนย์จุม ตรวจสอบให้แน่ใจว่าคุณใช้ลื้อที่เสริมแรงด้วยใยแก้วเท่านั้น
- ห้ามใช้ลื้อประเภทถ้วยหินกับเครื่องขัดชนิดนี้เด็ดขาด เครื่องขัดชนิดนี้ไม่ได้ถูกออกแบบมาสำหรับลื้อประเภทเหล่านี้ และการใช้ผลิตภัณฑ์ดังกล่าวอาจทำให้เกิดการบาดเจ็บร้ายแรงได้
- ระวังอย่าให้แกน (โดยเฉพาะอย่างยิ่งการติดตั้ง) หรือน็อตเสียหาย การที่ส่วนต่างๆ เหล่านี้เสียหายอาจเป็นสาเหตุให้ลูกลื้อเสียหายได้
- ตรวจสอบให้แน่ใจว่าลูกลื้อนั้นไม่ได้สัมผัสกับชิ้นงานก่อนที่จะเปิดสวิตช์
- ก่อนที่จะใช้เครื่องมือบนชิ้นงานจริง ปล่อยให้เครื่องมือทำงานเปล่าๆ สักครู่ ดูการสั่นสะเทือนหรือโยกโคลงที่อาจแสดงถึงการใส่และการให้สมดุลลูกลื้อที่ไม่ดีพอ
- ใช้พื้นผิววงล้อที่ระบุในการขัด
- อย่าปล่อยให้เครื่องมือทำงานค้างไว้ ใช้งานเครื่องมือในขณะที่ถืออยู่เท่านั้น
- ห้ามสัมผัสกับชิ้นงานทันทีที่ทำงานเสร็จ เนื่องจากชิ้นงานอาจมีความร้อนสูงและลวกผิวหนังของคุณได้

- ปฏิบัติตามคำแนะนำของผู้ผลิตในการติดตั้งและการใช้ลูกลื้อ ใช้งานและจัดเก็บลูกลื้อด้วยความระมัดระวัง
- อย่าใช้แปรงหรือตัวแปลงแบบแยกเพื่อแปลงรูลื้อขัดขนาดใหญ่
- ใช้แต่แกนสำหรับเครื่องมือนี้เท่านั้น
- สำหรับเครื่องมือที่ใช้สำหรับติดตั้งกับลื้อรูเรียบ ให้ตรวจสอบให้แน่ใจว่ารูในลื้อยาวพอที่จะรับความยาวของแกนได้
- ตรวจสอบว่าชิ้นงานมีสิ่งรองรับหรือค้ำยันที่มั่นคง
- พึงระวังไว้เสมอว่าลูกลื้อจะยังคงหมุนต่อไปแม้ว่าจะปิดเครื่องมือแล้วก็ตาม
- หากสถานที่ปฏิบัติงานนั้นร้อนและชื้นมาก หรือมีฝุ่นมาก ให้ใช้เบรกเกอร์ป้องกันการลัดวงจร (30 mA) เพื่อการใช้งานอย่างปลอดภัย
- อย่าใช้เครื่องมือกับวัสดุที่มีแร่ใยหิน
- อย่าใช้ถุงมือทำงานแบบผ้าระหว่างการทำงาน เส้นใยจากถุงมือผ้าอาจเข้าไปในเครื่องมือ ซึ่งจะทำให้เครื่องมือเสียหายได้

## ปฏิบัติตามคำแนะนำเหล่านี้

**คำเตือน:** อย่าให้ความไม่ระมัดระวังหรือความคุ้นเคยกับผลิตภัณฑ์ (จากการใช้งานซ้ำหลายครั้ง) อยู่เหนือการปฏิบัติตามกฎเกณฑ์ด้านความปลอดภัยในการใช้งานผลิตภัณฑ์อย่างเคร่งครัด การใช้งานอย่างไม่เหมาะสมหรือการไม่ปฏิบัติตามกฎเกณฑ์ด้านความปลอดภัยในคู่มือการใช้งานนี้อาจทำให้ได้รับบาดเจ็บร้ายแรง

## คำอธิบายการทำงาน

**ข้อควรระวัง:** ตรวจสอบให้แน่ใจว่าได้ปิดสวิตช์เครื่องมือและถอดปลั๊กออกก่อนปรับตั้งหรือตรวจสอบการทำงานของเครื่องมือ

## ลือคัก้าน

กดที่ลือคัก้านเพื่อป้องกันไม่ให้ก้านหมุนเมื่อติดตั้งหรือถอดอุปกรณ์เสริม

► หมายเลข 1: ลือคัก้าน

**ข้อสังเกต:** ห้ามดันที่ลือคัก้านขณะที่แกนกำลังขยับ เครื่องมืออาจเสียหายได้

## การทำงานของสวิตช์

**⚠ ข้อควรระวัง:** ก่อนเสียบปลั๊กเครื่องมือ ให้ตรวจสอบว่าสวิตช์เลื่อนสั่งงานสามารถทำงานได้อย่างถูกต้อง และกลับไปยังตำแหน่ง "OFF" เมื่อกดด้านหลังของสวิตช์เลื่อน

**⚠ ข้อควรระวัง:** สวิตช์สามารถล็อกในตำแหน่ง "ON" เพื่อช่วยให้สะดวกในการใช้งานอย่างต่อเนื่อง ใช้ความระมัดระวังเมื่อล็อกสวิตช์เครื่องมือในตำแหน่ง "ON" และจับเครื่องมือให้แน่นตลอดเวลา

เพื่อเริ่มใช้งานเครื่องมือ ให้เลื่อนสวิตช์เลื่อนไปที่ตำแหน่ง "I (ON)" โคนด้านด้านหลังของสวิตช์เลื่อน สำหรับการใช้งานอย่างต่อเนื่อง ให้กดที่ด้านหน้าของสวิตช์เลื่อนเพื่อล็อกสวิตช์ไว้

เพื่อหยุดเครื่องมือ ให้กดที่ด้านท้ายของสวิตช์เลื่อนเอาไว้ จากนั้นเลื่อนลงมายังตำแหน่ง "O (OFF)"

▶ หมายเลข 2: 1. สวิตช์เลื่อน

## การประกอบ

**⚠ ข้อควรระวัง:** ตรวจสอบให้แน่ใจว่าได้ปิดสวิตช์เครื่องมือและถอดปลั๊กออกก่อนดำเนินงานใดๆ กับเครื่องมือ

## การติดตั้งตามจับด้านข้าง (มือจับ)

อุปกรณ์เสริมสำหรับ MT964 ในบางประเทศ

**⚠ ข้อควรระวัง:** ตรวจสอบให้แน่ใจทุกครั้งว่าตามจับด้านข้างติดตั้งอย่างมั่นคงก่อนที่จะทำงาน

ขันตามจับด้านข้างให้แน่นในตำแหน่งของเครื่องมือตามที่แสดงในภาพ

▶ หมายเลข 3

## การติดตั้งหรือถอดที่ป้องกันล้อ (สำหรับใบเจียศูนย์จุม)

**⚠ คำเตือน:** เมื่อใช้ใบเจียศูนย์จุม ที่ป้องกันล้อจะต้องยึดอยู่กับเครื่องมือเพื่อให้ที่ป้องกันด้านที่ปิดซี้เข้าหาผู้ปฏิบัติงานเสมอ

ติดตั้งที่ป้องกันล้อโดยให้ส่วนที่ยื่นออกมาจากฝาครอบใบเจียตรงกับเครื่องหมายบนกล่องดลับลูกปืน จากนั้นให้หมุนที่ป้องกันล้อให้อยู่ในองศาที่สามารถป้องกันผู้ปฏิบัติงานในการทำงานได้ ตรวจสอบให้แน่ใจว่าได้ขันสลักเกลียวให้แน่นเมื่อต้องการถอดที่ป้องกันล้อ ให้ปฏิบัติย้อนขั้นตอนการติดตั้ง

▶ หมายเลข 4: 1. ที่ป้องกันล้อ 2. กล่องดลับลูกปืน 3. สกรู

## การติดตั้งหรือถอดใบเจียศูนย์จุม

อุปกรณ์เสริม

**⚠ คำเตือน:** เมื่อใช้ใบเจียศูนย์จุม ที่ป้องกันล้อจะต้องยึดอยู่กับเครื่องมือเพื่อให้ที่ป้องกันด้านที่ปิดซี้เข้าหาผู้ปฏิบัติงานเสมอ

**⚠ ข้อควรระวัง:** ตรวจสอบว่าส่วนที่ยึดของแกนตัวในยึดเข้ากับเส้นผ่านศูนย์กลางด้านในของใบเจียศูนย์จุมพอดี การติดตั้งแกนตัวในผิดด้านอาจทำให้เกิดการลั่นสะเทือนที่เป็นอันตรายได้

ติดตั้งแกนตัวในเข้ากับแกนหมุน ตรวจสอบว่ายึดส่วนที่เป็นแท่งตรงของแกนตัวในเข้ากับส่วนที่เป็นแท่งตรงของฐานแกนหมุน ติดตั้งใบเจียศูนย์จุมเข้ากับแกนตัวในแล้วขันน็อตล็อกเข้ากับแกนหมุน

ในกรณีติดตั้งใบเจียศูนย์จุมที่บางกว่า 4 mm (5/32") ให้ใส่ น็อตล็อกโดยให้ส่วนที่ยื่นออกมาหันออกด้านนอก มิฉะนั้น ให้ใส่ น็อตล็อกโดยให้ส่วนที่ยื่นออกมาพอดีกับเส้นผ่านศูนย์กลางด้านในของใบเจีย

▶ หมายเลข 5: 1. น็อตล็อก 2. ใบเจียศูนย์จุม 3. แกนตัวใน 4. ส่วนที่ยึด

วิธีการขันแน่นน็อตล็อก ให้กดที่ล็อกก้านให้แน่นเพื่อให้แกนหมุนไม่หมุน แล้วใช้ประแจขันน็อตล็อกขันตามเข็มนาฬิกาให้แน่น

▶ หมายเลข 6: 1. ประแจขันน็อตล็อก 2. ล็อกก้าน เมื่อต้องการถอดล้อ ให้ปฏิบัติย้อนขั้นตอนการติดตั้ง

## การใช้งาน

**คำเตือน:** คุณไม่จำเป็นต้องออกแรงกดเครื่องมือ น้ำหนักของเครื่องมือจะก่อให้เกิดแรงกดที่เหมาะสม การฝืนและแรงกดที่มากเกินไปอาจทำให้ใบเจียเสียหายและเป็นอันตรายได้

**คำเตือน:** เปลี่ยนใบเจียเสมอถ้าทำเครื่องมือตกระหว่างขัด

**คำเตือน:** ห้ามทุบหรือตีจានขัดหรือใบเจียใส่ชิ้นงาน

**คำเตือน:** หลีกเลี่ยงการกระดอนและการทำให้ใบเจียติดขัด โดยเฉพาะขณะทำงานที่มุม ขอบมีคม และอื่นๆ ซึ่งอาจทำให้สูญเสียการควบคุมและเกิดการติดกลับได้

**คำเตือน:** อย่าใช้เครื่องมือกับใบมีดตัดไม้และใบเลื่อยชนิดอื่นๆ เมื่อใช้ใบมีดชนิดดังกล่าวกับเครื่องขัดมักจะทำให้เกิดการติดกลับบ่อยๆ และเป็นสาเหตุให้สูญเสียการควบคุมและการบาดเจ็บของบุคคลได้

**ข้อควรระวัง:** อย่าเปิดเครื่องมือในขณะที่สัมผัสกับชิ้นงาน เนื่องจากอาจทำให้ผู้ปฏิบัติงานบาดเจ็บได้

**ข้อควรระวัง:** สวมแว่นตานิรภัยหรือหน้ากากป้องกันใบหน้าเสมอเมื่อปฏิบัติงาน

**ข้อควรระวัง:** หลังจากปฏิบัติงาน ให้ปิดเครื่องมือเสมอและรอจนกว่าใบเจียจะหยุดสนิท แล้วจึงวางเครื่องมือลง

**ข้อควรระวัง:** ใช้มือข้างหนึ่งถือเครื่องมือให้แน่นที่ตัวเครื่องและมืออีกข้างจับที่ด้ามจับ (มือจับ) ด้านข้างเสมอ

## การทำงานขัด

เปิดเครื่องมือแล้วใช้ใบเจียหรือจานขัดกับชิ้นงาน โดยทั่วๆ ไป ควรให้ขอบใบเจียหรือจานขัดให้ทำมุมกับชิ้นงานประมาณ 15°

ระหว่างช่วงเบรกอินกับใบเจียใหม่ อย่าดันเครื่องขัดไปข้างหน้า มิฉะนั้นเครื่องขัดจะตดเข้าไปในชิ้นงาน เมื่อขอบของใบเจียมนเนื่องจากการใช้งานแล้ว ใบเจียสามารถใช้งานได้ทั้งในทิศทางเดินหน้าและถอยหลัง

## ไม่ติดด้ามจับด้านข้าง

**สำหรับ MT964 เท่านั้น**

ถือเครื่องมือให้แน่นโดยใช้มือข้างหนึ่งจับที่กรอบเสมอ อย่าจับส่วนที่เป็นเหล็ก

▶ หมายเลข 7

## ติดด้ามจับด้านข้าง

**อุปกรณ์เสริมสำหรับ MT964 ในบางประเทศ**

ใช้มือข้างหนึ่งถือเครื่องมือให้แน่นที่ตัวเครื่องและมืออีกข้างจับที่ด้ามจับด้านข้างเสมอ

▶ หมายเลข 8

## การบำรุงรักษา

**ข้อควรระวัง:** ตรวจสอบให้แน่ใจว่าได้ปิดสวิตช์เครื่องมือและถอดปลั๊กออกก่อนทำการตรวจสอบหรือบำรุงรักษา

**ข้อสังเกต:** อย่าใช้น้ำมันเชื้อเพลิง เบนซิน ทินเนอร์ แอลกอฮอล์ หรือวัสดุประเภทเดียวกัน เนื่องจากอาจทำให้ลื่นลื่นฉลวย เสียรูป หรือแตกร้าวได้

เพื่อความปลอดภัยและความน่าเชื่อถือของผลิตภัณฑ์ ควรให้ศูนย์บริการหรือโรงงานที่ผ่านการรับรองจาก Makita เป็นผู้ดำเนินการซ่อมแซม ตรวจสอบและเปลี่ยนแปรงคาร์บอน บำรุงรักษา และทำการปรับตั้งอื่นๆ นอกจากนี้ให้ใช้อะไหล่ของแท้จาก Makita เสมอ

**Makita Corporation**  
3-11-8, Sumiyoshi-cho,  
Anjo, Aichi 446-8502 Japan  
[www.makita.com](http://www.makita.com)

885527A922  
EN, ID, VI, TH  
20180124