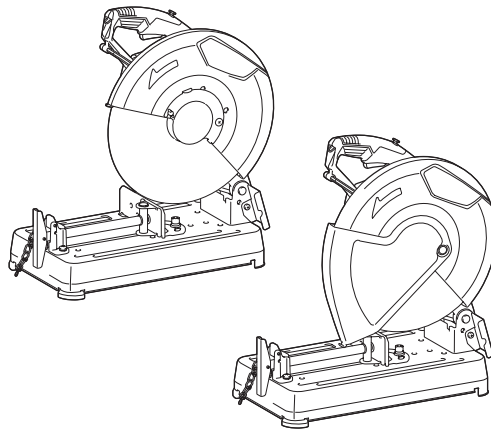




<b>EN</b>	Portable Cut-off	<b>INSTRUCTION MANUAL</b>	<b>5</b>
<b>ZHCN</b>	型材切割机	使用说明书	<b>12</b>
<b>ID</b>	Pemotong Portabel	<b>PETUNJUK PENGGUNAAN</b>	<b>19</b>
<b>MS</b>	Pemotong Mudah Alih	<b>MANUAL ARAHAN</b>	<b>27</b>
<b>VI</b>	Máy Cắt Sắt Để Bàn Hoạt Động Bằng Động Cơ Điện	<b>TÀI LIỆU HƯỚNG DẪN</b>	<b>35</b>
<b>TH</b>	เครื่องตัดแบบพกพา	คู่มือการใช้งาน	<b>42</b>

## M2401



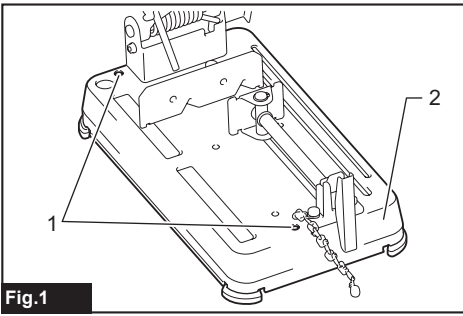


Fig.1

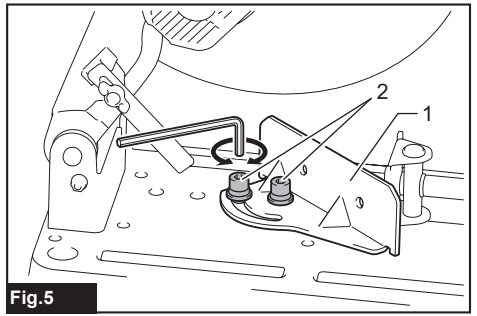


Fig.5

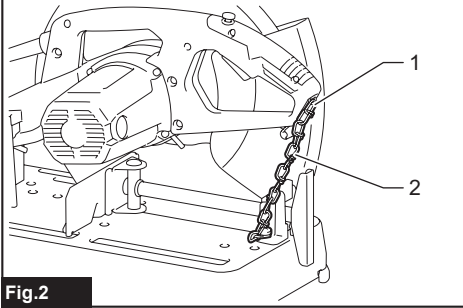


Fig.2

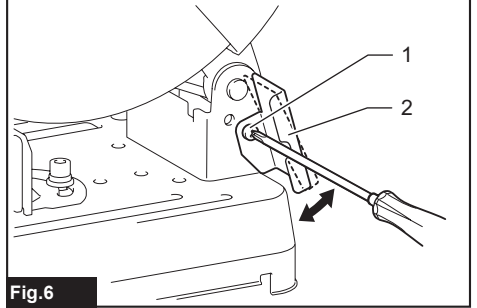


Fig.6

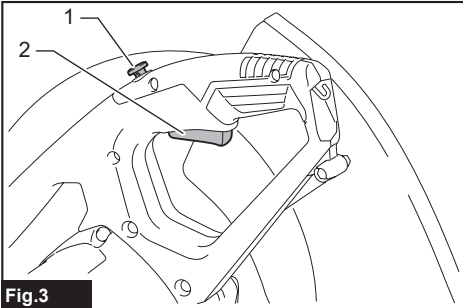


Fig.3

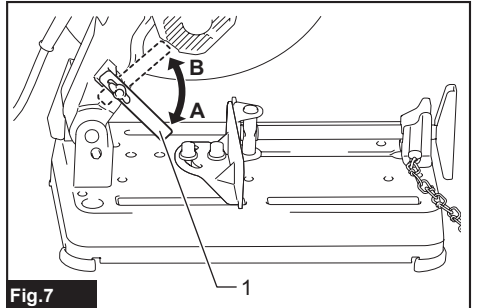


Fig.7

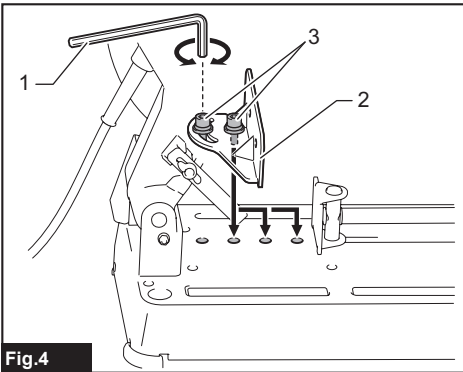


Fig.4

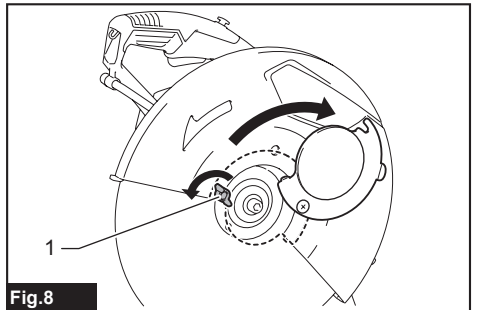


Fig.8

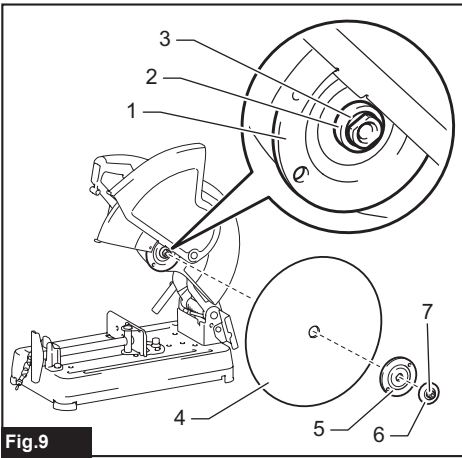


Fig.9

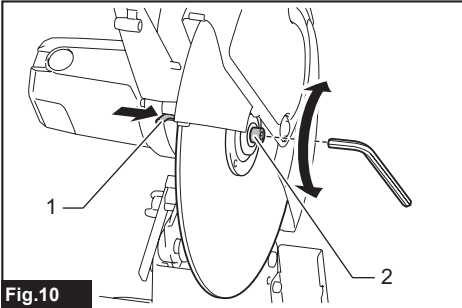


Fig.10

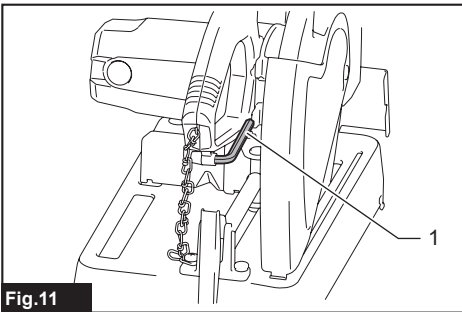


Fig.11

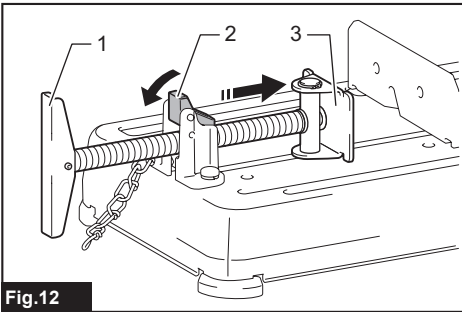


Fig.12

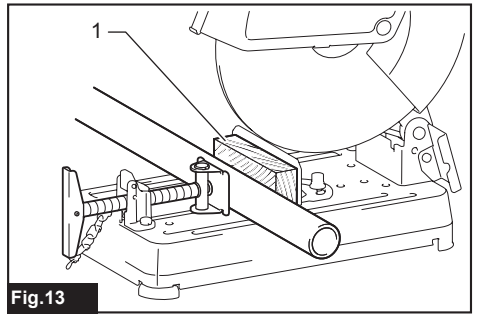


Fig.13

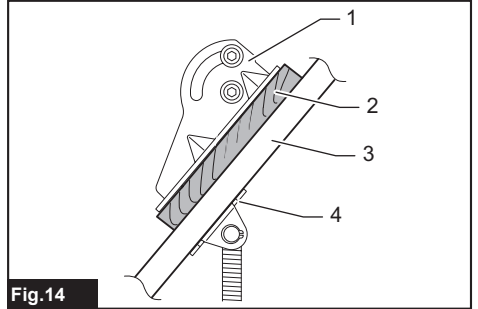


Fig.14

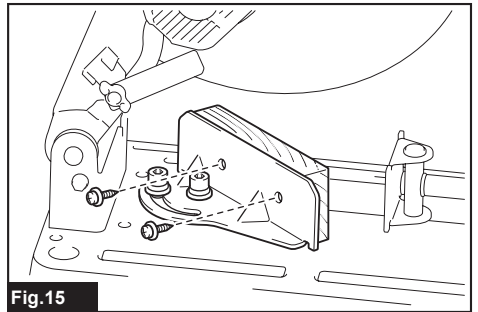


Fig.15

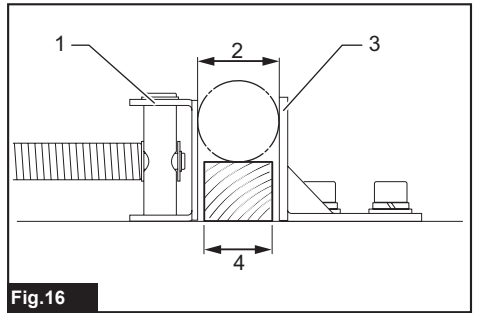
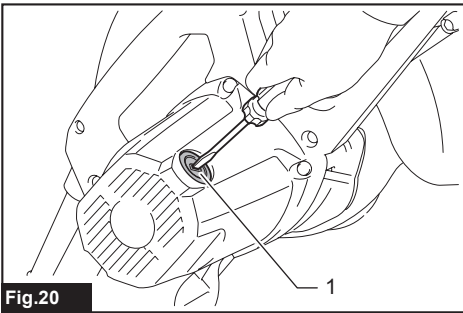
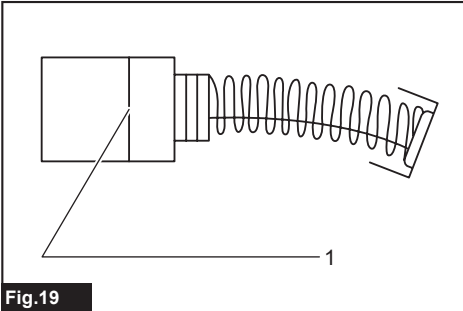
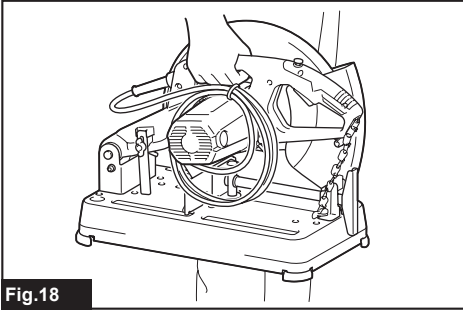
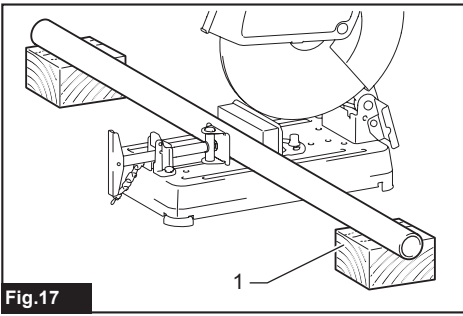


Fig.16



## SPECIFICATIONS

Model:	M2401
Wheel diameter	355 mm
Max. wheel thickness	3 mm
Hole diameter	25.4 mm
No load speed	3,800 min <sup>-1</sup>
Dimensions (L x W x H)	500 mm x 280 mm x 620 mm
Net weight	14.3 kg
Safety class	□/II

- Due to our continuing program of research and development, the specifications herein are subject to change without notice.
- Specifications may differ from country to country.
- Weight according to EPTA-Procedure 01/2003
- The shape and weight vary depending on the specifications which differ country to country.

## Symbols

The followings show the symbols which may be used for the equipment. Be sure that you understand their meaning before use.



Wear safety glasses.



Read instruction manual.



DOUBLE INSULATION



Only for EU countries  
Do not dispose of electric equipment together with household waste material! In observance of the European Directive, on Waste Electric and Electronic Equipment and its implementation in accordance with national law, electric equipment that have reached the end of their life must be collected separately and returned to an environmentally compatible recycling facility.

## Intended use

The tool is intended for cutting in ferrous materials with appropriate abrasive cut-off wheel. Follow all laws and regulations regarding dust and work area health and safety in your country.

## Power supply

The tool should be connected only to a power supply of the same voltage as indicated on the nameplate, and can only be operated on single-phase AC supply. They are double-insulated and can, therefore, also be used from sockets without earth wire.

## SAFETY WARNINGS

### General power tool safety warnings

**⚠ WARNING:** Read all safety warnings, instructions, illustrations and specifications provided with this power tool. Failure to follow all instructions listed below may result in electric shock, fire and/or serious injury.

### Save all warnings and instructions for future reference.

The term "power tool" in the warnings refers to your mains-operated (corded) power tool or battery-operated (cordless) power tool.

#### Work area safety

1. **Keep work area clean and well lit.** Cluttered or dark areas invite accidents.
2. **Do not operate power tools in explosive atmospheres, such as in the presence of flammable liquids, gases or dust.** Power tools create sparks which may ignite the dust or fumes.
3. **Keep children and bystanders away while operating a power tool.** Distractions can cause you to lose control.

#### Electrical safety

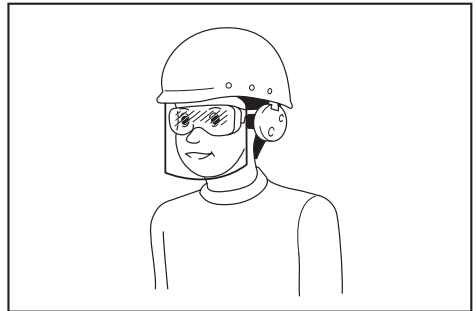
1. **Power tool plugs must match the outlet. Never modify the plug in any way. Do not use any adapter plugs with earthed (grounded) power tools.** Unmodified plugs and matching outlets will reduce risk of electric shock.
2. **Avoid body contact with earthed or grounded surfaces, such as pipes, radiators, ranges and refrigerators.** There is an increased risk of electric shock if your body is earthed or grounded.
3. **Do not expose power tools to rain or wet conditions.** Water entering a power tool will increase the risk of electric shock.

4. **Do not abuse the cord. Never use the cord for carrying, pulling or unplugging the power tool. Keep cord away from heat, oil, sharp edges or moving parts.** Damaged or entangled cords increase the risk of electric shock.
5. **When operating a power tool outdoors, use an extension cord suitable for outdoor use.** Use of a cord suitable for outdoor use reduces the risk of electric shock.
6. **If operating a power tool in a damp location is unavoidable, use a residual current device (RCD) protected supply.** Use of an RCD reduces the risk of electric shock.
7. **Use of power supply via an RCD with a rated residual current of 30 mA or less is always recommended.**
8. **Power tools can produce electromagnetic fields (EMF) that are not harmful to the user.** However, users of pacemakers and other similar medical devices should contact the maker of their device and/or doctor for advice before operating this power tool.
9. **Do not touch the power plug with wet hands.**
10. **If the cord is damaged, have it replaced by the manufacturer or his agent in order to avoid a safety hazard.**

#### Personal safety

1. **Stay alert, watch what you are doing and use common sense when operating a power tool. Do not use a power tool while you are tired or under the influence of drugs, alcohol or medication.** A moment of inattention while operating power tools may result in serious personal injury.
2. **Use personal protective equipment. Always wear eye protection.** Protective equipment such as a dust mask, non-skid safety shoes, hard hat or hearing protection used for appropriate conditions will reduce personal injuries.
3. **Prevent unintentional starting. Ensure the switch is in the off-position before connecting to power source and/or battery pack, picking up or carrying the tool.** Carrying power tools with your finger on the switch or energising power tools that have the switch on invites accidents.
4. **Remove any adjusting key or wrench before turning the power tool on.** A wrench or a key left attached to a rotating part of the power tool may result in personal injury.
5. **Do not overreach. Keep proper footing and balance at all times.** This enables better control of the power tool in unexpected situations.
6. **Dress properly. Do not wear loose clothing or jewellery. Keep your hair and clothing away from moving parts.** Loose clothes, jewellery or long hair can be caught in moving parts.
7. **If devices are provided for the connection of dust extraction and collection facilities, ensure these are connected and properly used.** Use of dust collection can reduce dust-related hazards.
8. **Do not let familiarity gained from frequent use of tools allow you to become complacent and ignore tool safety principles.** A careless action can cause severe injury within a fraction of a second.

9. **Always wear protective goggles to protect your eyes from injury when using power tools. The goggles must comply with ANSI Z87.1 in the USA, EN 166 in Europe, or AS/NZS 1336 in Australia/New Zealand. In Australia/New Zealand, it is legally required to wear a face shield to protect your face, too.**



**It is an employer's responsibility to enforce the use of appropriate safety protective equipments by the tool operators and by other persons in the immediate working area.**

#### Power tool use and care

1. **Do not force the power tool. Use the correct power tool for your application.** The correct power tool will do the job better and safer at the rate for which it was designed.
2. **Do not use the power tool if the switch does not turn it on and off.** Any power tool that cannot be controlled with the switch is dangerous and must be repaired.
3. **Disconnect the plug from the power source and/or remove the battery pack, if detachable, from the power tool before making any adjustments, changing accessories, or storing power tools.** Such preventive safety measures reduce the risk of starting the power tool accidentally.
4. **Store idle power tools out of the reach of children and do not allow persons unfamiliar with the power tool or these instructions to operate the power tool.** Power tools are dangerous in the hands of untrained users.
5. **Maintain power tools and accessories. Check for misalignment or binding of moving parts, breakage of parts and any other condition that may affect the power tool's operation. If damaged, have the power tool repaired before use.** Many accidents are caused by poorly maintained power tools.
6. **Keep cutting tools sharp and clean.** Properly maintained cutting tools with sharp cutting edges are less likely to bind and are easier to control.
7. **Use the power tool, accessories and tool bits etc. in accordance with these instructions, taking into account the working conditions and the work to be performed.** Use of the power tool for operations different from those intended could result in a hazardous situation.

8. **Keep handles and grasping surfaces dry, clean and free from oil and grease.** Slippery handles and grasping surfaces do not allow for safe handling and control of the tool in unexpected situations.
9. **When using the tool, do not wear cloth work gloves which may be entangled.** The entanglement of cloth work gloves in the moving parts may result in personal injury.

#### Service

1. **Have your power tool serviced by a qualified repair person using only identical replacement parts.** This will ensure that the safety of the power tool is maintained.
2. **Follow instruction for lubricating and changing accessories.**

### Cut-off machine safety warnings

1. **Position yourself and bystanders away from the plane of the rotating wheel.** The guard helps to protect the operator from broken wheel fragments and accidental contact with wheel.
  2. **Use only bonded reinforced cut-off wheels for your power tool.** Just because an accessory can be attached to your power tool, it does not assure safe operation.
  3. **The rated speed of the accessory must be at least equal to the maximum speed marked on the power tool.** Accessories running faster than their rated speed can break and fly apart.
  4. **Wheels must be used only for recommended applications. For example: do not grind with the side of a cut-off wheel.** Abrasive cut-off wheels are intended for peripheral grinding, side forces applied to these wheels may cause them to shatter.
  5. **Always use undamaged wheel flanges that are of correct diameter for your selected wheel.** Proper wheel flanges support the wheel thus reducing the possibility of wheel breakage.
  6. **The outside diameter and the thickness of your accessory must be within the capacity rating of your power tool.** Incorrectly sized accessories cannot be adequately guarded or controlled.
  7. **The arbour size of wheels and flanges must properly fit the spindle of the power tool.** Wheels and flanges with arbour holes that do not match the mounting hardware of the power tool will run out of balance, vibrate excessively and may cause loss of control.
  8. **Do not use damaged wheels. Before each use, inspect the wheels for chips and cracks. If the power tool or wheel is dropped, inspect for damage or install an undamaged wheel. After inspecting and installing the wheel, position yourself and bystanders away from the plane of the rotating wheel and run the power tool at maximum no load speed for one minute.** Damaged wheels will normally break apart during this test time.
9. **Wear personal protective equipment. Depending on application, use face shield, safety goggles or safety glasses. As appropriate, wear dust mask, hearing protectors, gloves and shop apron capable of stopping small abrasive or workpiece fragments.** The eye protection must be capable of stopping flying debris generated by various operations. The dust mask or respirator must be capable of filtering particles generated by your operation. Prolonged exposure to high intensity noise may cause hearing loss.
  10. **Keep bystanders a safe distance away from work area. Anyone entering the work area must wear personal protective equipment.** Fragments of workpiece or of a broken wheel may fly away and cause injury beyond immediate area of operation.
  11. **Position the cord clear of the spinning accessory.** If you lose control, the cord may be cut or snagged and your hand or arm may be pulled into the spinning wheel.
  12. **Regularly clean the power tool's air vents.** The motor's fan can draw the dust inside the housing and excessive accumulation of powdered metal may cause electrical hazards.
  13. **Do not operate the power tool near flammable materials. Do not operate the power tool while placed on a combustible surface such as wood.** Sparks could ignite these materials.
  14. **Do not use accessories that require liquid coolants.** Using water or other liquid coolants may result in electrocution or shock.

#### Kickback and related warnings

Kickback is a sudden reaction to a pinched or snagged rotating wheel. Pinching or snagging causes rapid stalling of the rotating wheel which in turn causes the uncontrolled cutting unit to be forced upwards toward the operator.

For example, if an abrasive wheel is snagged or pinched by the workpiece, the edge of the wheel that is entering into the pinch point can dig into the surface of the material causing the wheel to climb out or kick out. Abrasive wheels may also break under these conditions.

Kickback is the result of power tool misuse and/or incorrect operating procedures or conditions and can be avoided by taking proper precautions as given below.

1. **Maintain a firm grip on the power tool and position your body and arm to allow you to resist kickback forces.** The operator can control upward kickback forces, if proper precautions are taken.
2. **Do not position your body in line with the rotating wheel.** If kickback occurs, it will propel the cutting unit upwards toward the operator.
3. **Do not attach a saw chain, woodcarving blade, segmented diamond wheel with a peripheral gap greater than 10 mm or toothed saw blade.** Such blades create frequent kickback and loss of control.

4. Do not “jam” the wheel or apply excessive pressure. Do not attempt to make an excessive depth of cut. Overstressing the wheel increases the loading and susceptibility to twisting or binding of the wheel in the cut and the possibility of kickback or wheel breakage.
5. When the wheel is binding or when interrupting a cut for any reason, switch off the power tool and hold the cutting unit motionless until the wheel comes to a complete stop. Never attempt to remove the wheel from the cut while the wheel is in motion otherwise kickback may occur. Investigate and take corrective action to eliminate the cause of wheel binding.
6. Do not restart the cutting operation in the workpiece. Let the wheel reach full speed and carefully re-enter the cut. The wheel may bind, walk up or kickback if the power tool is restarted in the workpiece.
7. Support any oversized workpiece to minimize the risk of wheel pinching and kickback. Large workpieces tend to sag under their own weight. Supports must be placed under the workpiece near the line of cut and near the edge of the workpiece on both sides of the wheel.

#### Additional safety warnings

1. Watch out for flying sparks when operating. They can cause injury or ignite combustible materials.
2. Secure work. Use clamps or a vise to hold work when practical. It's safer than using your hand and it frees both hands to operate tool.
3. Secure the cut-off wheel carefully.
4. Be careful not to damage the spindle, flanges (especially the installing surface) or bolt, or the cut-off wheel itself might break.
5. Keep guards in place and in working order.
6. Hold the handle firmly.
7. Keep hands away from rotating parts.
8. Make sure the cut-off wheel is not contacting the work-piece before the switch is turned on.
9. Before each use, watch for flutter or excessive vibration that might be caused by poor installation or a poorly balanced wheel.
10. Remove material or debris from the area that might be ignited by sparks. Be sure that others are not in the path of the sparks. Keep a proper, charged fire extinguisher closely available.
11. If the cut-off wheel stops during the operation, makes an odd noise or begins to vibrate, switch off the tool immediately.
12. Always switch off and wait for the cut-off wheel to come to a complete stop before removing, securing workpiece, working vise, changing work position, angle or the cut-off wheel itself.
13. Do not touch the workpiece immediately after operation; it is extremely hot and could burn your skin.
14. Store wheels in a dry location only.

**SAVE THESE INSTRUCTIONS.**

## INSTALLATION

**⚠WARNING:** This tool produces spark when cutting a workpiece. Do not install this tool in the place in which flammable and/or explosive materials might be ignited by the spark from the tool. Also make sure that there is no such material near the tool before starting the operation.

### Securing the base

This tool should be bolted with two bolts to a level and stable surface using the bolt holes provided in the tool's base. This will help prevent tipping over and possible personal injury.

► Fig.1: 1. Bolt holes 2. Base

## FUNCTIONAL DESCRIPTION

**⚠CAUTION:** Always be sure that the tool is switched off and unplugged before adjusting or checking function on the tool.

### Unlocking/locking tool head

The tool head can be locked.

When using, unhook the lock chain from the hook.

When not in use or carrying, always hook the lock chain to the hook.

► Fig.2: 1. Hook 2. Lock chain

### Switch action

**⚠WARNING:** Before plugging in the tool, always check to see that the switch trigger actuates properly and returns to the “OFF” position when released.

► Fig.3: 1. Lock button / Lock-off button 2. Switch trigger

#### For tool with lock button

To start the tool, simply pull the switch trigger. Release the switch trigger to stop. For continuous operation, pull the switch trigger, push in the lock button and then release the switch trigger. To stop the tool from the locked position, pull the trigger fully, then release it.

**⚠CAUTION:** Switch can be locked in “ON” position for ease of operator comfort during extended use. Apply caution when locking tool in “ON” position and maintain firm grasp on tool.

#### For tool with lock-off button

To prevent the switch trigger from being accidentally pulled, a lock-off button is provided. To start the tool, press the lock-off button and pull the switch trigger. Release the switch trigger to stop.



**⚠ WARNING: NEVER** defeat the lock-off button by taping down or some other means. A switch with a negated lock-off button may result in unintentional operation and serious personal injury.

**⚠ WARNING: NEVER** use the tool if it runs when you simply pull the switch trigger without pressing the lock-off button. A switch in need of repair may result in unintentional operation and serious personal injury. Return tool to a Makita service center for proper repairs BEFORE further usage.

**NOTICE:** Do not pull the switch trigger hard without pressing in the lock-off button. This can cause switch breakage.

## Interval between vise and guide plate

**⚠ CAUTION:** After adjusting the interval between the vise and the guide plate, make sure that the guide plate is properly secured. Insufficient fixing may result in personal injury.

**⚠ CAUTION:** Remember that narrow workpieces may not be secured safely when using the two, wider interval settings.

The following interval settings of the vise are available:

- 0 - 170 mm (0" - 6-11/16") (original setting)
- 35 - 205 mm (1-3/8" - 8-1/16")
- 70 - 240 mm (2-3/4" - 9-7/16")

If your work requires different setting, proceed as follows to change the spacing or interval.

Remove the two hex socket bolts using a hex wrench. Move the guide plate to the desired position and secure it with the hex socket bolts.

► **Fig.4:** 1. Hex wrench 2. Guide plate 3. Hex socket bolts

## Cutting angle adjustment

**⚠ CAUTION:** After adjusting the angle of the guide plate, make sure that the guide plate is properly secured. Insufficient fixing may result in personal injury.

**⚠ CAUTION:** When performing right miter cut, always set the guide plate at 0 - 170 mm (0" - 6-11/16") position. Setting at the 35 - 205 mm (1-3/8" - 8-1/16") or 70 - 240 mm (2-3/4" - 9-7/16") position hinders the movement of stopper plate, which results in a failure cut.

**⚠ CAUTION:** Do not operate the tool when the material is not firmly secured with the vise because of the cutting angle.

Loosen the two hex socket bolts using a hex wrench. Turn the guide plate to the desired angle and secure it with the hex socket bolts. Be careful not to move the set angle while securing the hex socket bolts.

► **Fig.5:** 1. Guide plate 2. Hex socket bolts

**NOTE:** The scale on the guide plate is only a rough indication. For more accurate angle, use a protractor or triangle ruler. Keep the handle down so that the cut-off wheel extends into the base. At the same time, adjust the angle between the guide plate and the cut-off wheel with a protractor or triangle ruler.

## Spark guard adjustment

► **Fig.6:** 1. Screw 2. Spark guard

The spark guard is factory-installed with its lower edge contacting the base. Operating the tool in this position will cause many sparks to fly around. Loosen the screw and adjust the spark guard to a position at which minimum sparks will fly around.

## Stopper plate

**Country specific**

► **Fig.7:** 1. Stopper plate

The stopper plate prevents the cut-off wheel from contacting the workbench or floor. When a new cut-off wheel is installed, set the stopper plate to position (A). When the cut-off wheel wears down to the extent that the lower portion of the workpiece is left uncut, set the stopper plate to position (B) to allow increased cutting capacity with a worn down wheel.

## ASSEMBLY

**⚠ CAUTION:** Always be sure that the tool is switched off and unplugged before carrying out any work on the tool.

### Opening center cap type safety guard

#### Country specific

For the tools equipped with center cap type safety guard, loosen the clamping screw first then raise the guard.

► **Fig.8:** 1. Clamping screw

### Removing or installing cut-off wheel

**⚠ CAUTION:** Be sure to tighten the hex socket bolt securely. Insufficient tightening may result in severe injury. When tightening the hex socket bolt, use the hex wrench provided with the tool to assure proper tightening.

**⚠ CAUTION:** Always use only the proper inner and outer flanges which are provided with the tool.

**⚠ CAUTION:** Always lower the safety guard after replacing the wheel.

**⚠ CAUTION:** Wear gloves when handling wheels.

► **Fig.9:** 1. Inner flange 2. Ring 3. O-ring 4. Bonded reinforced cut-off wheel 5. Outer flange 6. Washer 7. Hex socket bolt

Raise the safety guard. Turn the hex socket bolt counterclockwise using a hex wrench while holding down the shaft lock. Then remove the hex socket bolt, washer, outer flange and wheel.

► **Fig.10:** 1. Shaft lock 2. Hex socket bolt

To install the wheel, follow the removal procedures in reverse. Make sure to fit the hole of cut-off wheel to the ring and return the safety guard.

### Hex wrench storage

► **Fig.11:** 1. Hex wrench

When not in use, store the hex wrench as shown in the figure to keep it from being lost.

## OPERATION


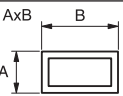
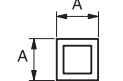

**⚠ CAUTION:** Proper handle pressure during cutting and maximum cutting efficiency can be determined by the amount of sparks that is produced while cutting. Do not force the cut by applying excessive pressure on the handle. Reduced cutting efficiency, premature wheel wear, as well as, possible damage to the tool, cut-off wheel or workpiece may result.

Hold the handle firmly. Switch on the tool and wait until the cut-off wheel attains full speed before lowering gently into the cut. When the cut-off wheel contacts the workpiece, gradually bear down on the handle to perform the cut. When the cut is completed, switch off the tool and **wait until the cut-off wheel has come to a complete stop** before returning the handle to the fully elevated position.

### Cutting capacity

Maximum cutting capacity varies depending on the cutting angle and workpiece shape.

#### Max. cutting capacity with a brand-new cut-off wheel

Cutting angle / Workpiece shape	90°	45°
	127 mm (5")	127 mm (5")
	102 x 194 mm (4" x 7-5/8") 70 x 233 mm (2-3/4" x 9-1/8")	115 x 103 mm (4-1/2" x 4-1/16")
	119 x 119 mm (4-11/16" x 4-11/16")	106 x 106 mm (4-3/16" x 4-3/16")
	137 x 137 x 10 mm (5-3/8" x 5-3/8" x 3/8")	100 x 100 x 10 mm (4" x 4" x 3/8")

## Securing workpiece

**⚠ CAUTION:** Always place the thread holder on the shaft threads when securing the workpiece.

Failure to do so may result in insufficient securing of the workpiece. This could cause the workpiece to be ejected or cause a dangerous breakage of the cut-off wheel.

While the thread holder is lifted, the vise plate can be moved in and out quickly. To grip a workpiece, push the handle until the vise plate contacts the workpiece then return the thread holder. Turn the handle clockwise until the workpiece is securely retained.

► **Fig.12:** 1. Handle 2. Thread holder 3. Vise plate

When the cut-off wheel has worn down considerably, place a spacer block behind the workpiece as shown in the figure. You can more efficiently utilize the worn wheel by using the mid point on the periphery of the wheel to cut the workpiece. Use a sturdy and non-flammable material for a spacer block.

► **Fig.13:** 1. Spacer block

When cutting workpieces over 85 mm (3-3/8") wide at an angle, attach a straight piece of wood (spacer) over 190 mm (7-1/2") long x 45 mm (1-3/4") wide to the guide plate as shown in the figure. Attach this spacer with screws through the holes in the guide plate. Make sure that the cut-off wheel does not contact the spacer when the tool head is depressed.

► **Fig.14:** 1. Guide plate 2. Spacer block over 190 mm (7-1/2") long x 45 mm (1-3/4") wide  
3. Workpiece over 85 mm (3-3/8") wide  
4. Vise plate

► **Fig.15**

When the cut-off wheel has worn down, raise the cutting position by putting a spacer block which is slightly narrower than the workpiece as shown in the figure. This will help you to utilize the cut-off wheel economically.

► **Fig.16:** 1. Vise plate 2. Workpiece diameter  
3. Guide plate 4. Spacer block width

Long workpieces must be supported by blocks on either side so that it will be level with the base top. Use non-flammable material for supporting blocks.

► **Fig.17:** 1. Supporting block

## Carrying tool

Fold down the tool head and lock it. Hold the handle when carrying.

► **Fig.18**

## MAINTENANCE

**⚠ CAUTION:** Always be sure that the tool is switched off and unplugged before attempting to perform inspection or maintenance.

**NOTICE:** Never use gasoline, benzene, thinner, alcohol or the like. Discoloration, deformation or cracks may result.

## Replacing carbon brushes

► **Fig.19:** 1. Limit mark

Check the carbon brushes regularly. Replace them when they wear down to the limit mark. Keep the carbon brushes clean and free to slip in the holders. Both carbon brushes should be replaced at the same time. Use only identical carbon brushes.

1. Use a screwdriver to remove the brush holder caps.

2. Take out the worn carbon brushes, insert the new ones and secure the brush holder caps.

► **Fig.20:** 1. Brush holder cap

To maintain product SAFETY and RELIABILITY, repairs, any other maintenance or adjustment should be performed by Makita Authorized or Factory Service Centers, always using Makita replacement parts.

## 规格

型号:	M2401
砂轮直径	355 mm
最大砂轮厚度	3 mm
内孔直径	25.4 mm
空载速度	3,800 r/min
尺寸 (长 × 宽 × 高)	500 mm × 280 mm × 620 mm
净重	14.3 kg
安全等级	回/II

- 生产者保留变更规格不另行通知之权利。
- 规格可能因销往国家之不同而异。
- 重量符合EPTA-Procedure 01/2003
- 形状和重量因规格 (取决于国家) 而异。

## 符号

以下显示本设备可能会使用的符号。在使用工具之前, 请务必理解其含义。



佩带安全眼镜。



阅读使用说明书。



II类工具



仅限于欧盟国家  
请勿将电气设备与家庭普通废弃物一同丢弃! 请务必遵守欧洲关于废弃电子电气设备的指令, 根据各国法律法规执行。达到使用寿命的电气设备必须分类回收至符合环境保护规定的再循环机构。

## 用途

本工具配备切割砂轮后用于切割铁质材料。请遵循您所在国家关于灰尘和工作区域卫生及安全的法律法规。

## 电源

本工具只可连接电压与铭牌所示电压相同的电源, 且仅可使用单相交流电源。本工具双重绝缘, 因此也可用于不带接地线的插座。

## 安全警告

### 电动工具通用安全警告

**警告:** 阅读随电动工具提供的所有安全警告、说明、图示和规定。不遵照以下所列说明会导致电击、着火和 / 或严重伤害。

### 保存所有警告和说明书以备查阅。

警告中的术语“电动工具”是指市电驱动 (有线) 电动工具或电池驱动 (无线) 电动工具。

#### 工作场地的安全

1. 保持工作场地清洁和明亮。杂乱和黑暗的场地会引发事故。
2. 不要在易爆环境, 如有易燃液体、气体或粉尘的环境下操作电动工具。电动工具产生的火花会点燃粉尘或气体。
3. 操作电动工具时, 远离儿童和旁观者。注意力不集中会使你失去对工具的控制。

#### 电气安全

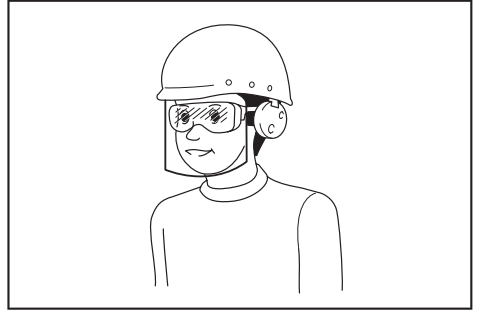
1. 电动工具插头必须与插座相配。绝不能以任何方式改装插头。需接地的电动工具不能使用任何转换插头。未经改装的插头和相配的插座将降低电击风险。
2. 避免人体接触接地表面, 如管道、散热片和冰箱。如果你身体接触接地表面会增加电击风险。

3. 不得将电动工具暴露在雨中或潮湿环境中。水进入电动工具将增加电击风险。
4. 不得滥用软线。绝不能用软线搬运、拉动电动工具或拔出其插头。使软线远离热源、油、锐边或运动部件。受损或缠绕的软线会增加电击风险。
5. 当在户外使用电动工具时，使用适合户外使用的延长线。适合户外使用的电线将降低电击风险。
6. 如果无法避免在潮湿环境中操作电动工具，应使用带有剩余电流装置（RCD）保护的电源。RCD的使用可降低电击风险。
7. 始终建议通过额定剩余电流为30 mA或以下的RCD来使用电源。
8. 电动工具会产生对用户无害的电磁场（EMF）。但是，起搏器和其他类似医疗设备的用户应在操作本电动工具前咨询其设备的制造商和 / 或医生寻求建议。
9. 请勿用湿手触摸电源插头。
10. 如果导线破损，则由制造商或其代理商更换以避免安全隐患。

### 人身安全

1. 保持警觉，当操作电动工具时关注所从事的操作并保持清醒。当你感到疲倦，或在有药物、酒精或治疗反应时，不要操作电动工具。在操作电动工具时瞬间的疏忽会导致严重人身伤害。
2. 使用个人防护装置。始终佩戴护目镜。防护装置，诸如适当条件下使用防尘面具、防滑安全鞋、安全帽、听力防护等装置能减少人身伤害。
3. 防止意外起动。在连接电源和/或电池包、拿起或搬运工具前确保开关处于关断位置。手指放在开关上搬运工具或开关处于接通时通电会导致危险。
4. 在电动工具接通之前，拿掉所有调节钥匙或扳手。遗留在电动工具旋转零件上的扳手或钥匙会导致人身伤害。
5. 手不要过分伸展。时刻注意立足点和身体平衡。这样能在意外情况下能更好地控制住电动工具。
6. 着装适当。不要穿宽松衣服或佩戴饰品。让你的头发和衣服远离运动部件。宽松衣服、佩饰或长发可能会卷入运动部件。
7. 如果提供了与排屑、集尘设备连接用的装置，要确保其连接完好且使用得当。使用集尘装置可降低尘屑引起的危险。

8. 不要因为频繁使用工具而产生的熟悉感而掉以轻心，忽视工具的安全准则。某个粗心的动作可能在瞬间导致严重的伤害。
9. 使用电动工具时请始终佩戴护目镜以免伤害眼睛。护目镜须符合美国ANSI Z87.1、欧洲EN 166或者澳大利亚 / 新西兰的AS/NZS 1336的规定。在澳大利亚 / 新西兰，法律要求佩戴面罩保护脸部。



雇主有责任监督工具操作者和其他近工作区域人员佩戴合适的安全防护设备。

### 电动工具使用和注意事项

1. 不要勉强使用电动工具，根据用途使用合适的电动工具。选用合适的按照额定值设计的电动工具会使你工作更有效、更安全。
2. 如果开关不能接通或关断电源，则不能使用该电动工具。不能通过开关来控制的电动工具是危险的且必须进行修理。
3. 在进行任何调节、更换附件或贮存电动工具之前，必须从电源上拔掉插头和/或卸下电池包（如可拆卸）。这种防护性的安全措施降低了电动工具意外起动的风险。
4. 将闲置不用的电动工具贮存在儿童所及范围之外，并且不允许不熟悉电动工具和不了解这些说明的人操作电动工具。电动工具在未经培训的使用者手中是危险的。
5. 维护电动工具及其附件。检查运动部件是否调整到位或卡住，检查零件破损情况和影响电动工具运行的其他状况。如有损坏，应在使用前修理好电动工具。许多事故是由维护不良的电动工具引发的。
6. 保持切削刀具锋利和清洁。维护良好地有锋利切削刃的刀具不易卡住而且容易控制。

7. 按照使用说明书，并考虑作业条件和要进行的作业来选择电动工具、附件和工具的刀头等。将电动工具用于那些与其用途不符的操作可能会导致危险情况。
8. 保持手柄和握持表面干燥、清洁，不得沾有油脂。在意外的情况下，湿滑的手柄不能保证握持的安全和对工具的控制。
9. 使用本工具时，请勿佩戴可能会缠结的布质工作手套。布质工作手套卷入移动部件可能会造成人身伤害。
9. 请穿戴个人劳防用品。根据应用情况，请使用面罩、安全护目镜或安全眼镜。根据情况佩戴可防止较小的砂磨碎片或工件碎片的防尘面罩、耳罩、手套和车间用的围裙。护目镜必须具备可以防止多种操作所产生的飞溅的碎片伤害到您的能力。防尘面罩或呼吸器必须具备可过滤操作中产生的微粒的能力。长时间的高强度噪音可能会损伤您的听力。

## 维修

1. 由专业维修人员使用相同的备件维修电动工具。这将保证所维修的电动工具的安全。
2. 上润滑油及更换附件时请遵循本说明书指示。

## 切割机器使用安全警告

1. 使您自己和旁观者远离旋转的砂轮。砂轮罩可防止操作者被砂轮碎片划伤或意外接触到砂轮。
2. 仅使用所用电动工具专用的高韧度的切割砂轮。其他附件虽然可安装到电动工具上，但无法确保操作安全。
3. 附件的额定速度必须至少等同于电动工具上标示的最大速度。当运转速度大于额定速度时，附件可能会破裂并飞出。
4. 仅可将砂轮用于推荐的应用情况。例如：请勿用切割砂轮的侧面进行磨削。切割砂轮用于进行外围磨削，对这些砂轮应用侧力可能会导致其破碎。
5. 请务必使用未损坏的砂轮法兰，直径应符合您所选的砂轮。正确的砂轮法兰可减少砂轮破裂的危险。
6. 附件的外径和厚度必须在工具的额定能力之内。尺寸不正确的附件将无法安全操控。
7. 砂轮和法兰的轴孔尺寸必须与电动工具的主轴匹配。与电动工具的安装硬件不匹配的砂轮和法兰（带轴孔）将失去平衡，振动过度并可能导致失控。
8. 请勿使用损坏的砂轮。每次使用前，请检查砂轮有无碎片和裂缝。如果电动工具或砂轮掉落，请检查有无损坏或重新安装一个无损坏的砂轮。检查和安装了砂轮之后，请使旁观者以及您自己远离旋转的砂轮，并以最大空载速度运行电动工具一分钟。损坏的砂轮通常会在此测试期间破裂。

10. 使旁观者远离工作区域，保持一定的安全距离。所有进入工作区域的人员必须穿戴个人劳防用品。工件的碎片或破损的砂轮可能会飞溅到操作区域以外并导致人身伤害。
11. 勿使工具导线靠近旋转附件。如果未加控制，则线头可能会被切割到或卡住，从而可能使您的手或手臂被拖入旋转砂轮中。
12. 请定期清洁工具的通风口。电机的风扇会将灰尘带入外壳，过多的金属粉末累积会导致电气危害。
13. 请勿在可燃物附近运行电动工具。勿在将电动工具置于木材等易燃表面的情况下操作电动工具。火花可能会点燃这些物品。
14. 请勿使用需要冷却液的附件。使用水或其他冷却液可能会导致触电或死亡。

## 反弹和相关的警告

反弹是正在旋转的砂轮发生卡滞时突然产生的反作用力。卡滞会导致旋转砂轮快速停止，从而导致失控的切割部件向上弹向操作者。

例如，如果工件使得砂轮卡滞，则进入卡滞点的砂轮边缘将进入工件材料的表面，导致砂轮跳出或弹出。在这种情况下，砂轮也可能会破裂。

电动工具误操作和 / 或不正确的操作步骤或操作条件将导致反弹，遵守以下所述的注意事项即可避免。

1. 请牢固握持电动工具的手柄，调整身体和手臂位置以防止反弹力。如果正确遵守注意事项，操作者可控制向上的反弹力。
2. 请勿与旋转的砂轮成一直线站立。发生反弹时，将会驱动切割部件向上弹向操作者。
3. 请勿安装锯链、木雕锯片、外围间隙大于 10 mm 的扇形金刚石砂轮或齿状锯片。这些锯片会发生频繁的反弹并导致工具失控。

4. 请勿“挤压”砂轮或对其过度施压。请勿试图切割过深。对砂轮过度施压会使负荷增加，使砂轮在切割时易于扭曲或卡滞，也使发生反弹或砂轮破裂的可能性增大。
5. 当砂轮卡滞或因任何原因中断切割操作时，请关闭电动工具并使切割部件保持不动，直至砂轮完全停止。当砂轮还在运动中时，切勿试图将砂轮从工件中取出，否则可能会造成反弹。研究并采取正确的措施以避免砂轮卡滞。
6. 请勿在工件中重新启动切割操作。请等到砂轮到达全速后再小心地重新进行切割。如果电动工具在工件中重新启动，则砂轮可能会卡滞、移动或反弹。
7. 请支撑大型工件以最大限度地降低砂轮卡滞和反弹的可能。大型工件会因自身的重量而下陷。必须在工件下面靠近切割线和砂轮两侧工件边缘放置支撑件。

#### 附加安全警告

1. 请注意运行时飞溅的火花。火花可引起灼伤或点燃易燃材料。
2. 安全工作。如果可行的话，请使用夹钳或虎钳来固定工件。这要比用双手固定更安全有效，并可解放双手来操作工具。
3. 小心紧固切割砂轮。
4. 请小心勿损坏主轴、法兰（尤其是安装表面）或螺栓，否则可能会造成切割砂轮破裂。
5. 将保护罩安装到位，使其能正常发挥作用。
6. 请紧握把手。
7. 手应远离旋转的部件。
8. 打开开关前，请确认切割砂轮未与工件接触。
9. 每次使用前，请注意颤振或过度振动，这可能表示安装不当或砂轮不平衡。
10. 清除火花所及范围内的材料或碎片。确保他人不在火花所及的范围内。在附近放置合适且充满的灭火器。
11. 如果切割砂轮在运行中停止，发出异常噪音或开始振动，请立即关闭工具。
12. 拆卸和固定工件、虎钳，改变工作位置、角度或切割砂轮本身前，务必关闭工具并等待切割砂轮完全停止。

13. 操作之后，请勿立刻触摸工件；因为其可能会非常烫，导致烫伤皮肤。
14. 仅将砂轮存放在干燥位置。

请保留此说明书。

## 安装

**警告：** 本工具在切割工件时会产生火花。请勿将工具安装在存有易燃和/或易爆材料的位置。开始运行前，务必确保工具旁没有这类材料。

### 固定基座

该工具应该用两个螺栓穿过工具基座上的螺栓孔将其固定在一个平坦稳定的表面。这样可以防止机器倾覆及可能的人身伤害。

► 图片1: 1. 螺栓孔 2. 基座

## 功能描述

**小心：** 在调节或检查工具功能之前，请务必关闭工具电源开关并拔下电源插头。

### 解锁 / 锁定工具头

可以锁定工具头。

使用时，从挂钩松开锁定链。闲置或搬运时，请务必将锁定链挂在挂钩上。

► 图片2: 1. 挂钩 2. 锁定链

### 开关操作

**警告：** 插上工具电源插头之前，请务必确认开关扳机能够正常工作，松开时会回到“OFF”（关闭）位置。

► 图片3: 1. 锁定按钮 / 锁止按钮  
2. 开关扳机

对于带锁定按钮的工具

启动工具时，只要扣动开关扳机即可。松开开关扳机工具即停止。连续操作时，请扣动开关扳机并按下锁定按钮，然后松开开关扳机。要从锁定位置停止工具时，可将开关扳机扣到底，然后松开。

**⚠小心：**长时间使用时，可将开关锁定在“ON”（开启）位置，使操作更加舒适。将工具锁定在“ON”（开启）位置时请小心，务必牢固抓握工具。

### 对于带锁止按钮的工具

为避免使用者不小心扣动开关扳机，本工具采用锁止按钮。要启动工具时，按下锁止按钮，然后扣动开关扳机即可。松开开关扳机工具即停止。

**⚠警告：**切勿通过封住锁止按钮或其他方法来弃用锁止按钮。在弃用开关锁止按钮的情况下使用工具时可能会出现意外运行的情况并导致严重的人身伤害。

**⚠警告：**如果您只是扣动开关扳机而没有按下锁止按钮时，工具即开始运行，则切勿使用此工具。在开关需要维修的情况下使用工具时可能会出现意外运行的情况并导致严重的人身伤害。在进一步使用该工具之前，请将其送回Makita（牧田）维修中心进行正确的修理。

**注意：**在没有按下锁止按钮的情况下请勿用力扣动开关扳机。这样可能导致开关破损。

## 虎钳和导向板的间距

**⚠小心：**在调整虎钳和导向板的间距后，确保导向板被正确固定。固定不牢可能会导致人身伤害。

**⚠小心：**请注意，当使用上述两个较宽范围的间距设置时，可能无法紧固较窄的工件。

可以使用以下虎钳间距设定：

- 0 - 170 mm (0" - 6-11/16") (初始设定)
- 35 - 205 mm (1-3/8" - 8-1/16")
- 70 - 240 mm (2-3/4" - 9-7/16")

如果您的工作要求不同的设定，请按如下更改间距。

使用六角扳手拆下两个内六角螺栓。将导向板移至所需位置，然后用内六角螺栓将其固定。

► **图片4：** 1. 六角扳手 2. 导向板 3. 内六角螺栓

## 切割角度调整

**⚠小心：**在调整导向板的角度后，确保导向板被正确固定。固定不牢可能会导致人身伤害。

**⚠小心：**进行右斜接角切割时，务必将导向板置于0 - 170 mm (0" - 6-11/16")位置。设定在35 - 205 mm (1-3/8" - 8-1/16")或70 - 240 mm (2-3/4" - 9-7/16")位置会阻碍止动板移动，造成不良切割。

**⚠小心：**因切割角度导致虎钳未牢固固定材料时，请勿操作工具。

使用套筒扳手拧松两个六角螺栓。将导向板转至所需角度，然后用内六角螺栓将其固定。注意不要在固定内六角螺栓时移动设定角度。

► **图片5：** 1. 导向板 2. 内六角螺栓

**注：**导向板上的刻度仅为大致刻度。如需更精确的角度，请使用量角器或三角尺。将把手朝下，使切割砂轮伸入基座。同时，用量角器和三角尺调整导向板和切割砂轮之间的角度。

## 火花罩调整

► **图片6：** 1. 螺丝 2. 火花罩

火花罩为出厂安装，其下部边缘与基座接触。在该位置运行工作会导致火花向四周飞溅。拧松螺丝并将火花罩调整至飞溅火花最少的位置。

## 止动板

*规格因国家而异*

► **图片7：** 1. 止动板

止动板可防止切割砂轮碰到工作台面或地板。安装新的切割砂轮时，请将止动板设定在位置（A）。当切割砂轮磨损到无法将工件下部完全锯断的程度时，请将止动板设定在位置（B），以提高磨损砂轮的切割能力。



## 装配

**⚠小心：** 对工具进行任何装配操作前请务必确认机器已关闭且已拔下电源插头。

### 打开中盖式保护罩

#### 规格因国家而异

对于配备中盖式保护罩的工具，请先松开夹紧螺丝，然后抬升保护罩。

► **图片8：** 1. 夹紧螺丝

### 拆下或安装切割砂轮

**⚠小心：** 请务必拧紧内六角螺栓。不充分拧紧可能会导致严重的人身伤害。拧紧内六角螺栓时，请使用随工具附带的六角扳手确保正确拧紧。

**⚠小心：** 请务必仅使用随工具附带的正确的内、外法兰盘。

**⚠小心：** 请务必在更换砂轮后放下保护罩。

**⚠小心：** 处理砂轮时请佩戴手套。

► **图片9：** 1. 内法兰盘 2. 挡圈 3. O形环  
4. 切割砂轮 5. 外法兰盘 6. 垫圈  
7. 内六角螺栓

抬升保护罩。在向下按轴锁的同时，使用六角扳手逆时针转动内六角螺栓。然后拆下内六角螺栓、垫圈、外法兰盘和砂轮。

► **图片10：** 1. 轴锁 2. 内六角螺栓

安装砂轮时，请按与拆卸时相反的步骤进行。务必装配切割砂轮孔至挡圈并将保护罩恢复原位。

### 六角扳手的存放

► **图片11：** 1. 六角扳手

不使用时，请如图所示贮存六角扳手以防丢失。

## 操作

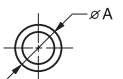
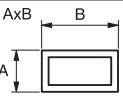
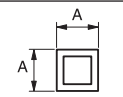
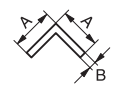
**⚠小心：** 在切割过程中，可通过飞溅的火花量来判断手柄压力是否合适以及是否达到最大切割效率。请勿过度按压手柄进行切割。否则可能会降低切割效率、过早磨损砂轮以及造成工具、切割砂轮或工件损坏。

请牢握手柄。打开工具开关，等切割砂轮转速达到全速时缓慢下移砂轮开始切割。当切割砂轮与工件接触时，逐渐增加手柄压力进行切割。切割完成后，关闭工具电源开关，待切割砂轮完全停止运转时，将手柄放回充分抬起的位置。

### 切割能力

最大切割能力因切割角度和工件形状而异。

#### 使用新切割砂轮时的最大切割能力

切割角度 / 工件形状	90°	45°
	127 mm (5")	127 mm (5")
	102 x 194 mm (4" x 7-5/8") 70 x 233 mm (2-3/4" x 9-1/8")	115 x 103 mm (4-1/2" x 4-1/16")
	119 x 119 mm (4-11/16" x 4-11/16")	106 x 106 mm (4-3/16" x 4-3/16")
	137 x 137 x 10 mm (5-3/8" x 5-3/8" x 3/8")	100 x 100 x 10 mm (4" x 4" x 3/8")

## 固定工件

**⚠️小心：** 在固定工件时，务必将螺栓夹置于轴螺纹上。否则，可能无法牢固固定工件。这可能会导致工件弹出或造成切割砂轮严重破损。

提起螺纹夹时，可以快速移入和移出虎钳板。若要固定工件，向前推动手柄，直到虎钳板接触工件，再恢复螺纹夹。顺时针转动手柄，直至牢固固定工件。

► **图片12：** 1. 手柄 2. 螺纹夹 3. 虎钳板

当切割砂轮已磨损到相当程度时，请如图所示在工件下面垫上垫块。您可以使用砂轮圆周上的中线部位以更有效地利用磨损砂轮来切割工件。使用坚固且不可燃的材料当作垫块。

► **图片13：** 1. 垫块

当以一定角度切割宽度超过85 mm (3-3/8")的工件时，请如图所示在导向板上装一个190 mm (7-1/2")长 x 45 mm (1-3/4")宽的木块（垫块）。使用螺丝通过导向板上的孔来固定该垫块。按下工具头时，请确保切割砂轮不会接触垫块。

► **图片14：** 1. 导向板 2. 垫块大小超过190 mm (7-1/2")长 x 45 mm (1-3/4")宽 3. 工件大小超过85 mm (3-3/8")宽 4. 虎钳板

► **图片15**

当切割砂轮磨损时，请按如图所示放置略窄于工件的垫块来抬升切割位置。这样有助于更加经济地使用切割砂轮。

► **图片16：** 1. 虎钳板 2. 工件直径 3. 导向板 4. 垫块宽度

对于较长的工件，必须使用垫块支撑两端以使之与工具基座上表面齐平。请使用不可燃材料的垫块。

► **图片17：** 1. 支撑块

## 搬运工具

折叠工具头并将其锁定。搬运时握持手柄。

► **图片18**

## 保养

**⚠️小心：** 检查或保养工具之前，请务必关闭工具电源开关并拔下插头。

**注意：** 切勿使用汽油、苯、稀释剂、酒精或类似物品清洁工具。否则可能会导致工具变色、变形或出现裂缝。

## 更换碳刷

► **图片19：** 1. 界限磨损线

定期检查碳刷。在碳刷磨损到界限磨损线时进行更换。请保持碳刷清洁并使其在碳刷夹内能自由滑动。两个碳刷应同时替换。请仅使用相同的碳刷。

1. 使用螺丝起子拆下碳刷夹盖。

2. 取出已磨损的碳刷，插入新的碳刷，然后紧固碳刷夹盖。

► **图片20：** 1. 碳刷夹盖

为了保证产品的安全与可靠性，维修、任何其他维修保养或调节需由Makita（牧田）授权的或工厂维修服务中心完成。务必使用Makita（牧田）的替换部件。

## SPEKIFIKASI

Model:	M2401
Diameter roda	355 mm
Ketebalan roda maks.	3 mm
Diameter lubang	25,4 mm
Kecepatan tanpa beban	3.800 min <sup>-1</sup>
Dimensi (P x L x T)	500 mm x 280 mm x 620 mm
Berat bersih	14,3 kg
Kelas keamanan	□/II

- Karena kesinambungan program penelitian dan pengembangan kami, spesifikasi yang disebutkan di sini dapat berubah tanpa pemberitahuan.
- Spesifikasi dapat berbeda dari satu negara ke negara lainnya.
- Berat menurut Prosedur EPTA 01/2003
- Bentuk dan berat bervariasi tergantung pada spesifikasi, yang berbeda-beda antar negara.

### Simbol

Berikut ini adalah simbol-simbol yang dapat digunakan pada peralatan ini. Pastikan Anda memahami arti masing-masing simbol sebelum menggunakan peralatan.



Gunakan kaca mata pengaman.



Baca petunjuk penggunaan.



ISOLASI GANDA



Hanya untuk negara-negara Uni Eropa  
Jangan membuang peralatan listrik atau baterai bersama-sama dengan bahan limbah rumah tangga! Dengan memerhatikan Petunjuk Eropa, tentang Limbah Peralatan Listrik dan Elektronik serta pelaksanaannya sesuai dengan ketentuan hukum nasional, peralatan listrik yang telah habis umur pakainya harus dikumpulkan secara terpisah dan dikembalikan ke fasilitas daur ulang yang kompatibel secara lingkungan.

### Penggunaan

Mesin ini dirancang untuk memotong bahan besi dengan roda pemotong abrasif yang tepat. Patuhi semua hukum dan peraturan tentang kesehatan dan keselamatan yang berkaitan dengan debu dan tempat kerja di negara Anda.

### Pasokan daya

Mesin harus terhubung dengan pasokan daya listrik yang bervoltase sama dengan yang tertera pada pelat nama, dan hanya dapat dijalankan dengan listrik AC fase tunggal. Mesin diisolasi ganda dan oleh sebab itu dapat dihubungkan dengan soket tanpa kabel.

## PERINGATAN KESELAMATAN

### Peringatan keselamatan umum mesin listrik

**⚠️ PERINGATAN:** Bacalah semua peringatan keselamatan, petunjuk, ilustrasi dan spesifikasi yang disertakan bersama mesin listrik ini. Kelalaian untuk mematuhi semua petunjuk yang tercantum di bawah ini dapat menyebabkan sengatan listrik, kebakaran dan/atau cedera serius.

### Simpanlah semua peringatan dan petunjuk untuk acuan di masa depan.

Istilah "mesin listrik" dalam semua peringatan mengacu pada mesin listrik yang dijalankan dengan sumber listrik jala-jala (berkabel) atau baterai (tanpa kabel).

#### Keselamatan tempat kerja

1. **Jaga tempat kerja selalu bersih dan berpenerangan cukup.** Tempat kerja yang berantakan dan gelap mengundang kecelakaan.
2. **Jangan gunakan mesin listrik dalam lingkungan yang mudah meledak, misalnya jika ada cairan, gas, atau debu yang mudah menyala.** Mesin listrik menimbulkan bunga api yang dapat menyalakan debu atau uap tersebut.

3. **Jauhkan anak-anak dan orang lain saat menggunakan mesin listrik.** Bila perhatian terpecah, anda dapat kehilangan kendali.

#### **Keamanan Kelistrikan**

1. **Steker mesin listrik harus cocok dengan stopkontak. Jangan sekali-kali mengubah steker dengan cara apa pun. Jangan menggunakan steker adaptor dengan mesin listrik terbumi (dibumikan).** Steker yang tidak diubah dan stopkontak yang cocok akan mengurangi risiko sengatan listrik.
2. **Hindari sentuhan tubuh dengan permukaan terbumi atau yang dibumikan seperti pipa, radiator, kompor, dan kulkas.** Risiko sengatan listrik bertambah jika tubuh Anda terbumikan atau dibumikan.
3. **Jangan membiarkan mesin listrik kehujaan atau kebasahan.** Air yang masuk ke dalam mesin listrik akan meningkatkan risiko sengatan listrik.
4. **Jangan menyalahgunakan kabel. Jangan sekali-kali menggunakan kabel untuk membawa, menarik, atau mencabut mesin listrik dari stopkontak. Jauhkan kabel dari panas, minyak, tepian tajam, atau bagian yang bergerak.** Kabel yang rusak atau kusut memperbesar risiko sengatan listrik.
5. **Bila menggunakan mesin listrik di luar ruangan, gunakan kabel ekstensi yang sesuai untuk penggunaan di luar ruangan.** Penggunaan kabel yang sesuai untuk penggunaan luar ruangan mengurangi risiko sengatan listrik.
6. **Jika mengoperasikan mesin listrik di lokasi lembap tidak terhindarkan, gunakan pasokan daya yang dilindungi peranti imbasan arus (residual current device - RCD).** Penggunaan RCD mengurangi risiko sengatan listrik.
7. **Penggunaan pasokan daya melalui RCD dengan kapasitas arus sisa 30 mA atau kurang selalu dianjurkan.**
8. **Mesin listrik dapat menghasilkan medan magnet (EMF) yang tidak berbahaya bagi pengguna.** Namun, pengguna alat pacu jantung atau peralatan medis sejenisnya harus berkonsultasi dengan produsen peralatan tersebut dan/atau dokter mereka sebelum mengoperasikan mesin listrik ini.
9. **Jangan menyentuh colokan daya dengan tangan basah.**
10. **Jika kabel rusak, penggantian harus dilakukan oleh produsen atau agennya untuk menghindari bahaya keselamatan.**

#### **Keselamatan Diri**

1. **Jaga kewaspadaan, perhatikan pekerjaan Anda dan gunakan akal sehat bila menggunakan mesin listrik. Jangan menggunakan mesin listrik saat Anda lelah atau di bawah pengaruh obat bius, alkohol, atau obat.** Sekejap saja lalai saat menggunakan mesin listrik dapat menyebabkan cedera badan serius.
2. **Gunakan alat pelindung diri. Selalu gunakan pelindung mata.** Peralatan pelindung seperti masker debu, sepatu pengaman anti-selip, helm pengaman, atau pelindung telinga yang digunakan untuk kondisi yang sesuai akan mengurangi risiko cedera badan.
3. **Cegah penyalaaan yang tidak disengaja. Pastikan bahwa sakelar berada dalam posisi mati (off) sebelum menghubungkan mesin ke sumber daya dan/atau paket baterai, atau mengangkat atau membawanya.** Membawa mesin listrik dengan jari Anda pada sakelarnya atau mengalirkan listrik pada mesin listrik yang sakelarnya hidup (on) akan mengundang kecelakaan.
4. **Lepaskan kunci-kunci penyetel sebelum menghidupkan mesin listrik.** Kunci-kunci yang masih terpasang pada bagian mesin listrik yang berputar dapat menyebabkan cedera.
5. **Jangan meraih terlalu jauh. Jagalah pijakan dan keseimbangan sepanjang waktu.** Hal ini memungkinkan kendali yang lebih baik atas mesin listrik dalam situasi yang tidak diharapkan.
6. **Kenakan pakaian yang memadai. Jangan memakai pakaian yang longgar atau perhiasan. Jaga jarak antara rambut dan pakaian Anda dengan komponen mesin yang bergerak.** Pakaian yang longgar, perhiasan, atau rambut yang panjang dapat tersangkut pada komponen yang bergerak.
7. **Jika tersedia fasilitas untuk menghisap dan mengumpulkan debu, pastikan fasilitas tersebut terhubung listrik dan digunakan dengan baik.** Penggunaan pembersih debu dapat mengurangi bahaya yang terkait dengan debu.
8. **Jangan sampai Anda lengah dan mengabaikan prinsip keselamatan mesin ini hanya karena sudah sering mengoperasikannya dan sudah merasa terbiasa.** Tindakan yang lalai dapat menyebabkan cedera berat dalam sepersekian detik saja.
9. **Selalu kenakan kacamata pelindung untuk melindungi mata dari cedera saat menggunakan mesin listrik. Kacamata harus sesuai dengan ANSI Z87.1 di Amerika Serikat, EN 166 di Eropa, atau AS/NZS 1336 di Australia/Selandia Baru. Di Australia/Selandia Baru, secara hukum Anda juga diwajibkan mengenakan pelindung wajah untuk melindungi wajah Anda.**



**Menjadi tanggung jawab atasan untuk menerapkan penggunaan alat pelindung keselamatan yang tepat bagi operator mesin dan orang lain yang berada di area kerja saat itu.**

#### **Penggunaan dan pemeliharaan mesin listrik**

1. **Jangan memaksa mesin listrik. Gunakan mesin listrik yang tepat untuk keperluan Anda.** Mesin listrik yang tepat akan menuntaskan pekerjaan dengan lebih baik dan aman pada kecepatan sesuai rancangannya.
2. **Jangan gunakan mesin listrik jika sakelar tidak dapat menyalakan dan mematikannya.** Mesin listrik yang tidak dapat dikendalikan dengan sakelarnya adalah berbahaya dan harus diperbaiki.
3. **Cabut steker dari sumber listrik dan/atau lepas paket baterai, jika dapat dilepas, dari mesin listrik sebelum melakukan penyetelan apa pun, mengganti aksesoris, atau menyimpan mesin listrik.** Langkah keselamatan preventif tersebut mengurangi risiko hidupnya mesin secara tak sengaja.
4. **Simpan mesin listrik jauh dari jangkauan anak-anak dan jangan biarkan orang yang tidak paham mengenai mesin listrik tersebut atau petunjuk ini menggunakan mesin listrik.** Mesin listrik sangat berbahaya di tangan pengguna yang tak terlatih.
5. **Rawatlah mesin listrik dan aksesoris. Periksa apakah ada komponen bergerak yang tidak lurus atau macet, komponen yang pecah, dan kondisi-kondisi lain yang dapat memengaruhi pengoperasian mesin listrik. Jika rusak, perbaiki dahulu mesin listrik sebelum digunakan.** Banyak kecelakaan disebabkan oleh kurangnya pemeliharaan mesin listrik.
6. **Jaga agar mesin pemotong tetap tajam dan bersih.** Mesin pemotong yang dirawat baik dengan mata pemotong yang tajam tidak mudah macet dan lebih mudah dikendalikan.
7. **Gunakan mesin listrik, aksesoris, dan mata mesin, dll. sesuai dengan petunjuk ini, dengan memperhitungkan kondisi kerja dan jenis pekerjaan yang dilakukan.** Penggunaan mesin listrik untuk penggunaan yang lain dari peruntukan dapat menimbulkan situasi berbahaya.

8. **Jagalah agar gagang dan permukaan pegangan tetap kering, bersih, dan bebas dari minyak dan pelumas.** Gagang dan permukaan pegangan yang licin tidak mendukung keamanan penanganan dan pengendalian mesin dalam situasi-situasi tak terduga.
9. **Ketika menggunakan mesin, jangan menggunakan sarung tangan kain yang dapat tersangkut.** Sarung tangan kain yang tersangkut pada komponen bergerak dapat mengakibatkan cedera pada pengguna.

#### **Servis**

1. **Berikan mesin listrik untuk diperbaiki hanya kepada oleh teknisi yang berkualifikasi dengan menggunakan hanya suku cadang pengganti yang serupa.** Hal ini akan menjamin terjaganya keamanan mesin listrik.
2. **Patuhi petunjuk pelumasan dan penggantian aksesoris.**

### **Peringatan keselamatan mesin pemotong**

1. **Posisikan diri Anda dan orang lain jauh dari penampang roda yang berputar.** Pelindung membantu melindungi operator dari pecahan roda yang rusak dan kontak tak disengaja dengan roda.
2. **Gunakan hanya roda pemotong kuat dengan pengikat untuk mesin listrik Anda.** Walaupun aksesoris tertentu dapat dipasangkan ke mesin listrik Anda, keamanan pengoperasiannya belum tentu terjamin.
3. **Kecepatan terukur pada aksesoris setidaknya harus sama dengan kecepatan maksimal yang tertera pada mesin listrik.** Aksesoris yang bekerja lebih cepat dari kecepatannya mungkin saja pecah dan terlontar.
4. **Roda harus digunakan hanya untuk penggunaan yang disarankan saja. Contoh: jangan menggerinda dengan bagian samping roda pemotong.** Roda pemotong abrasif ditujukan untuk pekerjaan penggerindaan sisi luar; jika roda dikenai tenaga dari samping, roda ini mungkin saja pecah.
5. **Selalu gunakan flensa roda yang tidak rusak dengan diameter yang tepat sesuai dengan roda yang Anda pilih.** Flensa roda yang tepat akan menopang roda sehingga mengurangi kemungkinan pecahnya roda.
6. **Diameter luar dan tebal aksesoris Anda harus berada dalam rentang nilai kapasitas mesin listrik Anda.** Aksesoris dengan ukuran yang tidak tepat tidak dapat diilindungi atau dikendalikan secara memadai.
7. **Ukuran as roda dan flensa harus benar-benar sesuai dengan spindel mesin listrik.** Roda dan flensa dengan lubang as yang tidak sesuai dengan perangkat keras pemasangan mesin listrik akan bekerja tidak seimbang, bergetar secara berlebihan, dan dapat menyebabkan hilangnya kendali.

8. **Jangan menggunakan roda yang rusak.** Sebelum digunakan, selalu periksa apakah ada bagian yang cungkil atau retak pada roda. Jika mesin listrik atau roda jatuh, periksa apakah ada kerusakan, atau pasang roda yang tidak rusak. Setelah memeriksa dan memasang roda, posisikan diri Anda dan orang di sekitar jauh dari penampang roda yang berputar dan jalankan mesin listrik pada kecepatan maksimal tanpa beban selama satu menit. Roda yang rusak biasanya akan pecah selama waktu pengujian ini.
9. **Kenakan perlengkapan pelindung diri.** Tergantung pekerjaannya, kenakan pelindung muka, kacamata pelindung, atau kacamata pengaman. Sesuai kebutuhan, kenakan masker debu, pelindung telinga, sarung tangan, dan apron bengkel yang mampu menahan debu gerinda atau serpihan benda kerja. Pelindung mata harus mampu menahan debu yang berhamburan yang ditimbulkan dari berbagai jenis pekerjaan. Masker debu atau alat pernapasan harus mampu menyaring partikel yang dihasilkan dari pekerjaan Anda. Paparan berkepanjangan terhadap kebisingan berintensitas tinggi dapat menyebabkan hilangnya pendengaran.
10. **Jaga agar orang di sekitar berada dalam jarak aman yang jauh dari area kerja.** Siapa pun yang masuk ke area kerja harus mengenakan perlengkapan pelindung diri. Potongan benda kerja atau roda yang rusak mungkin saja terlempar dan menyebabkan cedera di area yang dekat dengan pekerjaan.
11. **Posisikan kabel agar tidak terkena aksesoris yang berputar.** Jika Anda kehilangan kendali, kabel mungkin saja terpotong atau tersangkut dan tangan atau lengan Anda mungkin saja tertarik ke arah roda yang berputar.
12. **Bersihkan ventilasi udara mesin listrik secara rutin.** Kipas motor dapat menarik debu ke dalam rumahannya, dan tumpukan serbuk logam yang berlebihan dapat menyebabkan bahaya listrik.
13. **Jangan mengoperasikan mesin listrik ini di dekat benda-benda yang mudah terbakar.** Jangan mengoperasikan mesin listrik ini jika mesin diletakkan pada permukaan yang mudah terbakar, seperti kayu. Percikan apinya dapat menyulut benda-benda tersebut.
14. **Jangan menggunakan aksesoris yang membutuhkan cairan pendingin.** Menggunakan air atau cairan pendingin lain dapat mengakibatkan kematian akibat sengatan listrik.

#### **Hentikan balik dan peringatan terkait**

Hentikan balik adalah reaksi yang terjadi secara tiba-tiba saat roda yang sedang berputar terjepit atau tersangkut. Kondisi terjepit atau tersangkut akan menyebabkan roda yang berputar akan berhenti dengan cepat, yang kemudian akan mengakibatkan unit pemotongan yang tak terkendali terdorong ke atas menuju arah operator.

Sebagai contoh, jika roda ampelas tersangkut atau terjepit oleh benda kerja, tepi roda yang masuk ke titik tempat roda tersebut terjepit mungkin saja menembus permukaan bahan, yang menyebabkan roda tersebut menanjak atau menghentak. Roda ampelas juga mungkin saja pecah karena kondisi tersebut. Hentikan balik merupakan akibat dari kesalahan cara penggunaan mesin listrik dan/atau prosedur atau kondisi pengoperasian yang salah, dan dapat dihindari dengan melakukan tindakan kewaspadaan yang tepat sebagaimana diuraikan di bawah ini.

1. **Pertahankan genggaman yang kuat pada mesin listrik serta posisikan badan dan lengan Anda sedemikian rupa sehingga Anda dapat menahan gaya hentakan balik.** Jika tindakan kewaspadaan tersebut dilakukan, maka operator dapat mengendalikan gaya hentakan balik ke atas.
2. **Jangan menempatkan tubuh Anda sejajar dengan roda yang berputar.** Jika hentakan terjadi, tenaga hentaknya akan mendorong unit pemotongan ke atas menuju operator.
3. **Jangan memasang mata rantai gergaji, pisau tатаh kayu, roda intan bersegmen dengan jarak perifer lebih dari 10 mm, atau mata gergaji bergerigi.** Mata pisau seperti ini menghasilkan hentakan balik berkali-kali dan menyebabkan hilangnya kendali.
4. **Jangan membuat roda “macet” atau menekannya secara berlebihan.** Jangan mencoba memotong terlalu dalam. Jika roda diberi tekanan berlebihan, maka bebannya akan bertambah, dan akan meningkatkan risiko roda terpuntir atau macet saat digunakan untuk memotong, serta mempertinggi kemungkinan terjadinya hentakan balik atau roda pecah.
5. **Saat roda macet atau saat menghentikan pemotongan karena alasan apa pun, matikan unit pemotongan dan tahan unit pemotong dalam posisi diam hingga roda benar-benar berhenti.** Jangan pernah mencoba melepas roda dari garis pemotongan saat roda masih bergerak., **Jika tidak, akan terjadi hentakan balik.** Periksa dan ambil tindakan perbaikan yang tepat untuk mengatasi penyebab macetnya roda.
6. **Jangan memulai kembali pemotongan saat mesin masih berada pada benda kerja.** Biarkan roda mencapai kecepatan penuh dan masukkan kembali dengan hati-hati pada potongan. Roda mungkin saja macet, bergerak ke atas atau terjadi hentakan balik jika mesin listrik dinyalakan ulang saat masih berada pada benda kerja.
7. **Tahan benda kerja berukuran besar untuk meminimalkan risiko roda terjepit dan terjadi hentakan balik.** Benda kerja besar cenderung melorot karena beratnya. Penopang harus diletakkan di bawah benda kerja, di dekat garis pemotongan dan di dekat ujung benda kerja pada kedua sisi roda.

## Peringatan keselamatan tambahan

1. **Waspada**ai percikan api yang beterbangan saat pengoperasian. Percikan api tersebut dapat menyebabkan cedera atau membakar bahan-bahan yang mudah terbakar.
2. **Bekerja dengan aman.** Gunakan penjepit atau ragum untuk menahan pekerjaan yang sedang dilakukan. Hal tersebut lebih aman dibanding menggunakan tangan Anda dan membuat kedua tangan Anda bebas untuk menjalankan mesin.
3. **Kencangkan roda pemotong dengan hati-hati.**
4. **Hati-hati** jangan sampai merusak spindel, flensa (terutama permukaan pemasangan) atau bautnya, atau roda pemotong mungkin saja ikut rusak.
5. **Jaga** agar pelindung selalu terpasang di tempatnya dan berfungsi dengan baik.
6. **Genggam** pegangan mesin kuat-kuat.
7. **Jauhkan** tangan dari bagian yang berputar.
8. **Pastikan** roda pemotong tidak menyentuh benda kerja sebelum sakelar dinyalakan.
9. **Setiap** kali sebelum digunakan, waspada guncangan atau getaran berlebihan yang mungkin disebabkan oleh pemasangan yang kurang baik atau roda yang kurang seimbang.
10. **Keluarkan** bahan atau serpihan dari area yang mungkin tersulut oleh bunga api. Jauhkan orang lain dari jangkauan bunga api. Pastikan tersedia pemadam api dalam kondisi memadai dan terisi penuh di sekitar tempat kerja Anda.
11. **Jika** roda pemotong berhenti saat pengoperasian, mengeluarkan suara aneh atau mulai bergetar, segera matikan mesin.
12. **Selalu** matikan mesin dan tunggu hingga roda pemotong benar-benar berhenti sebelum Anda melepas, memasang benda kerja, menggunakan penjepit, mengubah posisi kerja, sudut, atau roda pemotong itu sendiri.
13. **Jangan** menyentuh benda kerja segera setelah pengoperasian; suhunya sangat panas dan dapat membakar kulit Anda.
14. **Roda** harus disimpan di tempat kering.

## SIMPAN PETUNJUK INI.

## PEMASANGAN

**⚠PERINGATAN:** Mesin ini menimbulkan bunga api saat digunakan untuk memotong benda kerja. Jangan memasang mesin ini di tempat yang terisi bahan-bahan yang mudah terbakar dan/atau mudah meledak karena bunga apinya dapat menyulut benda-benda ini. Selain itu, sebelum mulai mengoperasikan mesin, pastikan tidak ada benda-benda semacam ini di dekat mesin.

## Mengencangkan dudukan

Mesin ini harus dikencangkan dengan dua buah baut hingga permukaannya setara dan stabil dengan menggunakan lubang baut yang tersedia pada dudukan mesin. Hal ini akan mencegah mesin terbalik dan mengurangi kemungkinan cedera.

► **Gbr.1:** 1. Lubang baut 2. Dudukan

## DESKRIPSI FUNGSI

**⚠PERHATIAN:** Selalu pastikan bahwa mesin dalam keadaan mati dan steker tercabut sebelum menyatel atau memeriksa kerja mesin.

## Membuka kunci/mengunci kepala mesin

Kepala mesin dapat dikunci.

Saat digunakan, lepaskan rantai pengunci dari pengaitnya. Saat tidak digunakan atau dibawa, selalu kaitkan rantai pengunci ke pengaitnya.

► **Gbr.2:** 1. Kait 2. Rantai pengunci

## Kerja sakelar

**⚠PERINGATAN:** Sebelum memasukkan steker, pastikan picu sakelar berfungsi dengan baik dan kembali ke posisi "OFF" saat dilepas.

► **Gbr.3:** 1. Tombol kunci / Tombol buka kunci  
2. Pelatuk sakelar

## Untuk mesin dengan tombol kunci

Untuk menjalankan mesin, cukup tarik picu saklarnya. Lepaskan pelatuk sakelar untuk berhenti. Untuk penggunaan terus-menerus, tarik picu saklar, tekan tombol kunci dan kemudian lepas picu saklar. Untuk membebaskan posisi terkunci, tarik pemacu sampai penuh, lalu lepaskan.

**⚠PERHATIAN:** Saklar bisa dikunci dalam posisi "ON" untuk memberi kenyamanan pada operator selama penggunaan terus-menerus. Selalu berhati-hati ketika mengunci mesin dalam posisi "ON" dan pegang mesin kuat-kuat.

### Untuk mesin dengan tombol buka kunci

Untuk mencegah picu sakelar tertarik dengan tidak sengaja, tersedia sebuah tombol buka kunci. Untuk menjalankan mesin, tekan tombol buka kunci dan tarik picu saklar. Lepaskan pelatuk sakelar untuk berhenti.

**⚠️PERINGATAN:** JANGAN PERNAH mengakali tombol buka kunci dengan menyelotip atau menggunakan alat-alat lainnya. Sakelar tanpa tombol buka kunci dapat mengakibatkan pengoperasian yang tidak diinginkan dan cedera badan serius.

**⚠️PERINGATAN:** JANGAN PERNAH menggunakan mesin jika mesin tersebut menyala ketika Anda hanya menarik picu sakelarnya tanpa menekan tuas buka kunci. Sakelar yang memerlukan perbaikan dapat mengakibatkan pengoperasian yang tidak diinginkan dan cedera badan serius. Kembalikan mesin ke pusat layanan Makita untuk diperbaiki dengan benar SEBELUM menggunakannya lebih lanjut.

**PEMBERITAHUAN:** Jangan menarik dalam-dalam picu sakelar tanpa menekan tombol buka kunci. Hal ini bisa merusak sakelar.

### Interval antara penjepit dan pelat pemandu

**⚠️PERHATIAN:** Setelah menyatel interval antara penjepit dan pelat pemandu, pastikan pelat pemandu terpasang dengan benar. Pemasangan yang kurang kencang dapat mengakibatkan cedera pada pengguna.

**⚠️PERHATIAN:** Ingatlah bahwa benda kerja yang sempit mungkin tidak terpasang dengan kuat saat menggunakan dua pengaturan interval yang lebih lebar.

Berikut ini adalah penyetalan interval yang tersedia untuk ragum:

- 0 - 170 mm (0" - 6-11/16") (pengaturan asli)
- 35 - 205 mm (1-3/8" - 8-1/16")
- 70 - 240 mm (2-3/4" - 9-7/16")

Jika pekerjaan Anda membutuhkan pengaturan yang berbeda, ikuti langkah berikut untuk mengubah jarak atau intervalnya.

Lepas kedua baut soket segi-enam dengan menggunakan kunci L. Pindahkan pelat pemandu ke posisi yang diinginkan lalu kencangkan dengan baut soket segi-enam.

► **Gbr.4:** 1. Kunci L 2. Pelat pemandu 3. Baut soket segi enam

### Penyetelan sudut pemotongan

**⚠️PERHATIAN:** Setelah menyatel sudut pada pelat pemandu, pastikan pelat pemandu terpasang dengan benar. Pemasangan yang kurang kencang dapat mengakibatkan cedera pada pengguna.

**⚠️PERHATIAN:** Saat melakukan pemotongan miter yang benar, pelat pemandu harus disetel pada posisi 0 - 170 mm (0" - 6-11/16"). Penyetalan pada posisi 35 - 205 mm (1-3/8" - 8-1/16") atau 70 - 240 mm (2-3/4" - 9-7/16") mencegah pergeseran pada pelat penahan yang dapat mengakibatkan kegagalan pemotongan.

**⚠️PERHATIAN:** Jangan gunakan mesin apabila material tidak terpasang kuat dengan ragum karena sudut pemotongan.

Longgarkan kedua baut soket segi-enam dengan menggunakan kunci L. Putar pelat pemandu ke sudut yang diinginkan lalu kencangkan dengan baut soket segi-enam. Hati-hati, jangan sampai sudut yang sudah disetel bergeser ketika mengencangkan baut soket segi-enam.

► **Gbr.5:** 1. Pelat pemandu 2. Baut soket segi enam

**CATATAN:** Skala pada pelat pemandu hanyalah petunjuk kasar saja. Untuk sudut yang lebih akurat, gunakan busur derajat atau penggaris segi tiga. Pegangan harus tetap di bawah sehingga roda pemotong dapat menjangkau dudukan. Pada saat yang bersamaan, setel sudut di antara pelat pemandu dan roda pemotong dengan busur derajat atau penggaris segitiga.

### Penyetelan pada pelindung dari bunga api

► **Gbr.6:** 1. Sekrup 2. Pelindung dari bunga api

Pelindung dari bunga api sudah dipasang dari pabrik dengan tepi rendahnya terhubung dengan dudukan. Jika mesin dijalankan pada posisi ini, akan banyak bunga api yang berhamburan. Longgarkan sekrup dan sesuaikan pelindung dari bunga api ke posisi yang mencegah bunga api beterbangan.

### Pelat penahan

#### Negara tertentu

► **Gbr.7:** 1. Pelat penahan

Pelat penahan menjaga agar roda pemotong tidak bersentuhan dengan meja kerja atau lantai. Ketika roda pemotong dipasang, setel pelat penahan ke posisi (A). Ketika roda pemotong mengalami penurunan kinerja hingga bagian bawah benda kerja tidak terpotong, setel pelat penahan ke posisi (B) agar kapasitas pemotongan meningkat dengan roda berkinerja rendah.



## PERAKITAN

**⚠️ PERHATIAN:** Pastikan bahwa mesin dalam keadaan mati dan steker tercabut sebelum melakukan pekerjaan apa pun pada mesin.

### Membuka Pelindung keselamatan tipe center cap

#### Negara tertentu

Untuk mesin yang dilengkapi dengan pelindung keselamatan tipe center cap, longgarkan sekrup penjepit terlebih dahulu, lalu naikan pelindung.

► **Gbr.8:** 1. Sekrup penjepit

### Melepaskan atau memasang roda pemotong

**⚠️ PERHATIAN:** Pastikan untuk mengencangkan baut soket segi-enam dengan kuat. Pemasangan yang kurang kencang dapat mengakibatkan cedera serius. Ketika mengencangkan baut soket segi-enam, gunakan kunci L yang tersedia dengan mesin untuk memastikan pengencangannya memadai.

**⚠️ PERHATIAN:** Selalu gunakan flensa dalam dan luar yang tepat yang disertakan bersama mesin.

**⚠️ PERHATIAN:** Selalu gunakan pelindung pengaman setelah mengganti roda.

**⚠️ PERHATIAN:** Kenakan sarung tangan saat menangani roda.

► **Gbr.9:** 1. Flensa dalam 2. Cincin 3. Cincin-O  
4. Roda pemotong 5. Flensa luar 6. Cincin Penutup 7. Baut soket segi-enam

Angkat pelindung pengaman. Putar baut soket segi-enam berlawanan dengan arah jarum jam dengan menggunakan kunci L sambil menahan kunci poros. Lalu lepas baut soket segi-enam, cincin penutup, flensa luar, dan roda.

► **Gbr.10:** 1. Kunci poros 2. Baut soket segi-enam

Untuk memasang roda, ikuti urutan terbalik dari prosedur pelepasan. Pastikan kesesuaian lubang roda pemotongan dengan cincin dan pasang kembali pelindung pengaman.

### Penyimpanan kunci L

► **Gbr.11:** 1. Kunci L

Saat tidak digunakan, simpan kunci L seperti terlihat pada gambar agar tidak hilang.

## PENGGUNAAN

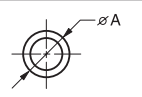
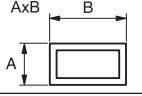
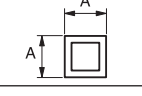

**⚠️ PERHATIAN:** Tekanan yang tepat dari tangan selama pemotongan dan efisiensi pemotongan maksimal dapat dinilai dari banyaknya bunga api yang keluar saat pemotongan. Jangan memotong dengan tekanan yang berlebihan pada tangan. Jika tidak, hal ini dapat mengakibatkan efisiensi yang rendah pada pemotongan, masa pakai yang terlalu singkat, serta kemungkinan rusak pada mesin, roda pemotongan atau benda kerja.

Genggam pegangan mesin kuat-kuat. Nyalakan mesin dan tunggu sampai roda pemotong mencapai kecepatan penuh sebelum Anda menurunkannya untuk memotong. Ketika roda pemotong bersentuhan dengan benda kerja, secara bertahap berikan tekanan pada pegangan untuk melakukan pemotongan. Saat pemotongan selesai, matikan mesin dan **tunggu sampai roda pemotong benar-benar berhenti** sebelum mengembalikan pegangan ke posisi naik sepenuhnya.

### Kapasitas pemotongan

Kapasitas pemotongan maksimal bervariasi tergantung pada sudut pemotongan dan bentuk benda kerja.

#### Kapasitas pemotongan maksimal dengan roda pemotongan baru

Sudut pemotongan / Bentuk benda kerja	90°	45°
	127 mm (5")	127 mm (5")
	102 x 194 mm (4" x 7-5/8") 70 x 233 mm (2-3/4" x 9-1/8")	115 x 103 mm (4-1/2" x 4-1/16")
	119 x 119 mm (4-11/16" x 4-11/16")	106 x 106 mm (4-3/16" x 4-3/16")
	137 x 137 x 10 mm (5-3/8" x 5-3/8" x 3/8")	100 x 100 x 10 mm (4" x 4" x 3/8")

## Mengencangkan benda kerja

**⚠ PERHATIAN:** Selalu letakkan penahan ulir pada ulir poros saat mengencangkan benda kerja. Kelalaian dalam melakukannya dapat mengakibatkan kurang kencangnya benda kerja. Hal ini dapat mengakibatkan benda kerja terlepas atau kerusakan yang berbahaya pada roda pemotong.

Ketika penahan ulir, diangkat pelat penjepit dapat dimasukkan ke dalam dan dikeluarkan dengan cepat. Untuk menjepit benda kerja, tekan gagang hingga pelat penjepit bersentuhan dengan benda kerja lalu balik penahan ulir. Putar gagang searah jarum jam hingga benda kerja terjepit dengan kuat.

► **Gbr.12:** 1. Pegangan 2. Pehanan ulir 3. Pelat penjepit

Ketika roda pemotong sudah sangat menurun kinerjanya, letakkan balok pengganjal di belakang benda kerja sebagaimana ditunjukkan pada gambar. Anda dapat menggunakan roda berkinerja rendah secara lebih efisien dengan menggunakan titik tengah pada pinggiran roda untuk memotong benda kerja. Gunakan bahan yang kokoh dan tidak mudah terbakar untuk balok pengganjal.

► **Gbr.13:** 1. Balok pengganjal

Ketika memotong benda kerja yang ukurannya lebih besar dari 85 mm (3-3/8") pada suatu sudut, tempelkan potongan kayu lurus (pengganjal) yang memiliki panjang lebih dari 190 mm (7-1/2") x lebar lebih dari 45 mm (1-3/4") ke pelat pemandu sebagaimana ditunjukkan pada gambar. Tempelkan pengganjal ini dengan sekrup melalui lubang-lubang pada pelat pemandu. Pastikan roda pemotongnya tidak bersentuhan dengan pengganjal ketika kepala mesin ditekan.

► **Gbr.14:** 1. Pelat pemandu 2. Balok pengganjal lebarnya lebih dari 190 mm (7-1/2") x 45 mm (1-3/4") 3. Benda kerja dengan lebar lebih dari 85 mm (3-3/8") 4. Pelat ragam

► **Gbr.15**

Ketika roda pemotong telah menurun kinerjanya, naikkan posisi pemotongan dengan meletakkan balok pengganjal yang dimensinya sedikit lebih kecil dari pada benda kerja sebagaimana ditunjukkan pada gambar. Hal ini akan membantu Anda untuk dapat menggunakan roda pemotong secara ekonomis.

► **Gbr.16:** 1. Pelat penjepit 2. Diameter benda kerja 3. Pelat pemandu 4. Lebar balok pengganjal

Benda kerja panjang harus ditopang oleh balok di kedua sisinya sehingga sejajar dengan bagian atas dudukan. Gunakan bahan yang tidak mudah terbakar untuk balok penopang.

► **Gbr.17:** 1. Balok penopang

## Membawa mesin

Tekuk kepala mesin ke bawah lalu kunci. Pegang gagangnya jika hendak dibawa-bawa.

► **Gbr.18**

## PERAWATAN

**⚠ PERHATIAN:** Selalu pastikan bahwa mesin dimatikan dan steker dicabut sebelum melakukan pemeriksaan atau perawatan.

**PEMBERITAHUAN:** Jangan sekali-kali menggunakan bensin, tiner, alkohol, atau bahan sejenisnya. Penggunaan bahan demikian dapat menyebabkan perubahan warna, perubahan bentuk atau timbulnya retakan.

## Mengganti sikat karbon

► **Gbr.19:** 1. Tanda batas

Periksa sikat karbon secara teratur.

Lepas sikat karbon ketika aus sampai tanda batas. Jaga agar sikat karbon tetap bersih dan tidak bergeser dari tempatnya. Kedua sikat karbon harus diganti pada waktu yang sama. Hanya gunakan sikat karbon yang sama.

1. Gunakan obeng untuk melepas tutup tempat sikat.
2. Tarik keluar sikat karbon yang aus, masukkan yang baru dan pasang tutup tempat sikat.

► **Gbr.20:** 1. Tutup tempat sikat

Untuk menjaga KEAMANAN dan KEANDALAN mesin, perbaikan, perawatan atau penyetelan lainnya harus dilakukan oleh Pusat Layanan Resmi atau Pabrik Makita; selalu gunakan suku cadang pengganti buatan Makita.

## SPEKIFIKASI

Model:	M2401
Diameter roda	355 mm
Ketebalan roda maks.	3 mm
Diameter lubang	25.4 mm
Kelajuan tanpa beban	3,800 min <sup>-1</sup>
Dimensi (P x L x T)	500 mm x 280 mm x 620 mm
Berat bersih	14.3 kg
Kelas keselamatan	□/II

- Disebabkan program penyelidikan dan pembangunan kami yang berterusan, spesifikasi yang terkandung di dalam ini adalah tertakluk kepada perubahan tanpa notis.
- Spesifikasi mungkin berbeza mengikut negara.
- Berat mengikut Prosedur EPTA 01/2003
- Bentuk dan berat berbeza bergantung kepada spesifikasi yang berbeza dari negara ke negara.

## Simbol

Berikut menunjukkan simbol-simbol yang boleh digunakan untuk alat ini. Pastikan anda memahami maksudnya sebelum menggunakan.



Pakai cermin mata keselamatan.



Baca manual arahan.



PENEBAHAN BERGANDA



Hanya untuk negara-negara Kesatuan Eropah  
Jangan buang peralatan elektrik bersama bahan sisa rumah! Dalam mematuhi Arahan Eropah mengenai Sisa Peralatan Elektrik dan Elektronik serta pelaksanaannya mengikut undang-undang negara, peralatan elektrik yang telah mencapai akhir hayatnya mesti dikumpul secara berasingan dan dikembalikan ke kemudahan kitar semula yang bersesuaian dengan alam sekitar.

## Tujuan penggunaan

Alat ini bertujuan untuk memotong bahan ferus dengan roda pemoangan tenas yang sesuai. Ikut semua undang-undang dan peraturan berkaitan dengan habuk dan kesihatan kawasan kerja dan keselamatan di negara anda.

## Bekalan kuasa

Alat ini perlu disambungkan hanya kepada bekalan kuasa dengan voltan yang sama seperti yang ditunjukkan pada papan nama, dan hanya boleh dikendalikan pada bekalan AC fasa tunggal. Ia mempunyai penebatan berganda dan oleh itu, ia juga boleh digunakan pada soket tanpa wayar bumi.

## AMARAN KESELAMATAN

### Amaran keselamatan umum alat kuasa

**AMARAN:** Baca semua amaran keselamatan, arahan, ilustrasi dan spesifikasi yang disediakan dengan alat kuasa ini. Kegagalan mengikut semua arahan yang disenaraikan di bawah boleh menyebabkan kejutan elektrik, kebakaran dan/atau kecederaan serius.

### Simpan semua amaran dan arahan untuk rujukan masa depan.

Istilah "alat kuasa" dalam amaran merujuk kepada alat kuasa yang menggunakan tenaga elektrik (dengan kord) atau alat kuasa yang menggunakan bateri (tanpa kord).

#### Keselamatan kawasan kerja

1. **Pastikan kawasan kerja bersih dan diterangi dengan baik.** Kawasan berselerak atau gelap mengundang kemalangan.
2. **Jangan kendalikan alat kuasa dalam keadaan yang mudah meletup, seperti dalam kehadiran cecair, gas atau habuk yang mudah terbakar.** Alat kuasa menghasilkan percikan api yang boleh menyalakan debu atau wasap.

3. **Jauhkan kanak-kanak dan orang ramai semasa mengendalikan alat kuasa.** Gangguan boleh menyebabkan anda hilang kawalan.

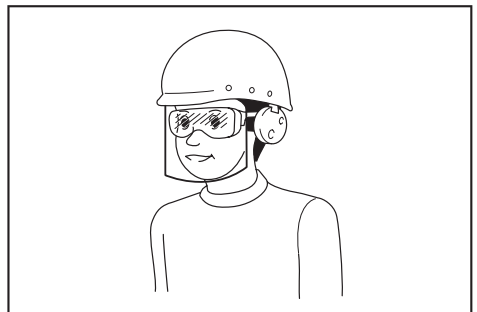
#### Keselamatan elektrik

1. **Palam alat kuasa mesti sepadan dengan soket.** Jangan ubah suai palam dalam apa cara sekalipun. Jangan gunakan sebarang palam penyusai dengan alat kuasa terbumi. Palam yang tidak diubah suai dan soket yang sepadan akan mengurangkan risiko kejutan elektrik.
2. **Elakkan sentuhan badan dengan permukaan terbumi, seperti paip, radiator, dapur dan peti sejuk.** Terdapat peningkatan risiko kejutan elektrik jika elektrik terbumi terkena badan anda.
3. **Jangan biarkan alat kuasa terkena hujan atau basah.** Air yang memasuki alat kuasa akan meningkatkan risiko kejutan elektrik.
4. **Jangan salah gunakan kord.** Jangan gunakan kord untuk membawa, menarik atau mencabut palam alat kuasa. Jauhkan kord dari haba, minyak, bucu tajam atau bahagian yang bergerak. Kord yang rosak atau tersimpul meningkatkan risiko kejutan elektrik.
5. **Semasa mengendalikan alat kuasa di luar, gunakan kord sambungan yang bersesuaian untuk kegunaan luar.** Penggunaan kord yang sesuai untuk kegunaan luar mengurangkan risiko kejutan elektrik.
6. **Sekiranya pengendalian alat kuasa di lokasi lempang tidak dapat dielakkan, gunakan bekalan peranti arus sisa (RCD) yang dilindungi.** Penggunaan RCD mengurangkan risiko kejutan elektrik.
7. **Penggunaan bekalan kuasa melalui RCD dengan arus sisa yang bernilai 30 mA atau kurang sentiasa disyorkan.**
8. **Alat kuasa boleh menghasilkan medan elektromagnetik (EMF) yang tidak berbahaya kepada pengguna.** Walau bagaimanapun, pengguna perentak jantung atau peranti perubatan yang serupa harus menghubungi pembuat peranti mereka dan/atau doktor untuk nasihat sebelum mengendalikan alat kuasa ini.
9. **Jangan sentuh palam kuasa dengan tangan yang basah.**
10. **Jika kord rosak, minta ia diganti oleh pengilang atau ejennya bagi mengelakkan bahaya keselamatan.**

#### Keselamatan diri

1. **Sentiasa berwaspada, perhatikan apa yang anda lakukan dan guna akal budi semasa mengendalikan alat kuasa.** Jangan gunakan alat kuasa semasa anda letih atau di bawah pengaruh dadah, alkohol atau ubat. Kelekaan seketika semasa mengendalikan alat kuasa boleh menyebabkan kecederaan diri yang serius.
2. **Gunakan peralatan pelindungan diri. Sentiasa pakai pelindungan mata.** Peralatan pelindungan seperti topeng debu, kasut keselamatan tak mudah tergelincir, topi keselamatan atau pelindungan pendengaran yang digunakan untuk keadaan yang sesuai akan mengurangkan kecederaan diri.

3. **Elakkan permulaan yang tidak disengajakan. Pastikan suis ditutup sebelum menyambungkan kepada sumber kuasa dan/atau pek bateri, semasa mengangkat atau membawa alat.** Membawa alat kuasa dengan jari anda pada suis atau menahan alat kuasa dengan suis pada kedudukan hidup mengundang kemalangan.
4. **Alihkan sebarang kunci atau sepana pelaras sebelum menghidupkan alat kuasa.** Sepana atau kunci yang ditinggalkan pada bahagian berputar alat kuasa boleh menyebabkan kecederaan diri.
5. **Jangan lampau jangkau. Jaga pijakan dan keseimbangan yang betul pada setiap masa.** Ini membolehkan kawalan alat kuasa yang lebih baik dalam situasi yang tidak dijangka.
6. **Berpakaian dengan betul. Jangan pakai pakaian yang longgar atau barang kemas. Jauhkan rambut dan pakaian anda dari bahagian yang bergerak.** Pakaian longgar, barang kemas atau rambut yang panjang boleh terperangkap dalam bahagian yang bergerak.
7. **Jika peranti disediakan untuk sambungan kemudahan pengekstrakan dan pengumpulan habuk, pastikan ia disambung dan digunakan dengan betul.** Penggunaan pengumpulan habuk boleh mengurangkan bahaya berkaitan habuk.
8. **Jangan biarkan kebiasaan daripada kekerapan penggunaan alat membuat anda berpuas hati dan mengabaikan prinsip keselamatan alat.** Kecuaian boleh menyebabkan kecederaan serius dalam sekelip mata.
9. **Sentiasa pakai kaca mata pelindung untuk melindungi mata anda daripada kecederaan apabila menggunakan alat kuasa. Kaca mata mestilah mematuhi ANSI Z87.1 di AS, EN 166 di Eropah, atau AS/NZS 1336 di Australia/ New Zealand. Di Australia/New Zealand, undang-undang mengarahkan untuk memakai pelindungan muka bagi melindungi muka anda, juga.**



**Menjadi tanggungjawab majikan untuk menguatkuasa penggunaan peralatan perlindungan keselamatan yang bersesuaian oleh pengendali alat dan oleh orang lain dalam kawasan bekerja semasa.**

## Penggunaan dan penjagaan alat kuasa

1. **Jangan gunakan alat kuasa dengan kasar. Gunakan alat kuasa yang betul untuk penggunaan anda.** Alat kuasa yang betul akan melakukan tugas dengan lebih baik dan lebih selamat pada kadar mana ia direka cipta.
2. **Jangan gunakan alat kuasa jika suis tidak berfungsi untuk menghidupkan dan mematikannya.** Alat kuasa yang tidak dapat dikawal dengan suis adalah berbahaya dan mesti dibaiki.
3. **Cabut palam dari sumber kuasa dan/atau keluarkan pek bateri, jika boleh ditanggalkan, dari alat kuasa sebelum membuat sebarang pelarasan, menukar aksesori, atau menyimpan alat kuasa.** Langkah-langkah keselamatan pencegahan sedemikian mengurangkan risiko memulakan alat kuasa secara tidak sengaja.
4. **Simpan alat kuasa yang tidak digunakan jauh dari jangkauan kanak-kanak dan jangan biarkan orang yang tidak biasa dengan alat kuasa atau arahan ini untuk mengendalikan alat kuasa.** Alat kuasa adalah berbahaya di tangan pengguna yang tidak terlatih.
5. **Menyelenggara alat kuasa dan aksesori. Periksa salah jajaran atau ikatan pada bahagian yang bergerak, bahagian yang pecah dan apa-apa keadaan lain yang boleh menjejaskan operasi alat kuasa. Jika rosak, baiki alat kuasa sebelum digunakan.** Kebanyakan kemalangan adalah disebabkan oleh alat kuasa yang tidak dijaga dengan baik.
6. **Pastikan alat pemotong tajam dan bersih.** Alat pemotong yang dijaga dengan betul dengan hujung pemotong yang tajam mempunyai kemungkinan yang rendah untuk terikat dan lebih mudah dikendalikan.
7. **Gunakan alat kuasa, aksesori dan alat bit dan sebagainya mengikut arahan ini dengan mengambil kira keadaan kerja dan kerja yang perlu dilakukan.** Penggunaan alat kuasa untuk operasi yang berbeza dari yang dimaksudkan boleh menyebabkan keadaan berbahaya.
8. **Pastikan pemegang dan permukaan pegangan kering, bersih dan bebas dari minyak dan gris.** Pemegang dan permukaan pegangan yang licin tidak membolehkan pengendalian dan kawalan selamat bagi alat dalam situasi yang tidak dijangka.
9. **Apabila menggunakan alat, jangan pakai sarung tangan kerja kain yang mungkin boleh kusut.** Kekusutan sarung tangan kerja kain pada bahagian yang bergerak boleh menyebabkan kecederaan diri.

## Servis

1. **Pastikan alat kuasa anda diservis oleh orang yang berkelayakan dengan hanya menggunakan alat ganti yang sama.** Ini akan memastikan keselamatan alat kuasa dapat dikekalkan.
2. **Ikut arahan untuk melincir dan menukar aksesori.**

## Amaran keselamatan mesin pemotongan

1. **Jauhkan diri anda dan orang ramai dari satah roda berputar.** Pelindung membantu melindungi pengendali daripada serpihan roda yang pecah dan sentuhan dengan roda tanpa sengaja.
2. **Gunakan hanya roda pemotongan bertetulang terikat untuk alat kuasa anda.** Hanya kerana aksesori boleh dipasang pada alat kuasa anda, itu tidak menjamin operasi yang selamat.
3. **Kelajuan kadaran aksesori mesti sekurang-kurangnya sama seperti kelajuan maksimum yang ditandakan pada alat kuasa.** Aksesori yang beroperasi lebih laju daripada kelajuan kadarannya boleh pecah dan berkecai.
4. **Roda mesti digunakan hanya untuk penggunaan yang disyorkan. Contohnya: jangan kisar dengan sisi roda pemotongan.** Roda pemotongan pelepas bertujuan untuk pengisaran persisian dan daya sisi yang dikenakan kepada roda ini mungkin menyebabkannya pecah.
5. **Sentiasa gunakan bibir roda yang tidak rosak yang mempunyai diameter yang betul untuk roda yang anda pilih.** Bibir roda yang betul menyokong roda dan dapat mengurangkan kemungkinan roda akan pecah.
6. **Diameter luar dan ketebalan aksesori anda mesti dalam perkadaran kapasiti alat kuasa anda.** Aksesori dengan saiz yang tidak betul tidak boleh dijaga atau dikawal dengan secukupnya.
7. **Saiz arbor roda dan bibir mestilah betul-betul sepadan dengan spindel alat kuasa.** Roda dan bibir dengan lubang arbor yang tidak sepadan dengan perkakasan pelekapan alat kuasa akan tidak seimbang, bergetar secara berlebihan dan boleh menyebabkan hilang kawalan.
8. **Jangan gunakan roda yang rosak. Sebelum setiap penggunaan, periksa roda untuk sebarang serpihan atau retakan. Jika alat kuasa atau roda terjatuh, periksa untuk mengesan kerosakan atau pasang roda yang tidak rosak. Selepas pemeriksaan dan pemasangan roda, jauhkan diri anda dan orang ramai daripada satah roda yang berputar dan jalankan alat kuasa pada kelajuan tanpa beban maksimum selama seminit.** Roda yang rosak biasanya akan pecah berderai semasa tempoh ujian ini.

9. **Pakai peralatan pelindung diri. Bergantung kepada penggunaan, gunakan pelindung muka, gogel keselamatan atau cermin mata keselamatan. Sebagaimana yang sesuai, pakai topeng habuk, pelindung pendengaran, sarung tangan dan apron bingkai yang mampu menghalang serpihan pelepas atau bahan kerja yang kecil.** Pengadang mata mesti mampu menghalang serpihan yang terbang yang dihasilkan oleh pelbagai operasi. Topeng habuk atau alat pernafasan mesti mampu menapis zarah yang dihasilkan oleh operasi anda. Pendedahan yang berlanjutan kepada hingar dengan keamatan yang tinggi boleh menyebabkan hilang pendengaran.
10. **Pastikan orang ramai berada pada jarak yang selamat dari kawasan kerja. Sesiapa sahaja yang memasuki kawasan kerja mesti memakai peralatan pelindung diri.** Serpihan bahan kerja atau roda yang pecah mungkin berterbangan dan menyebabkan kecederaan di luar kawasan operasi terdekat.
11. **Jauhkan kord daripada aksesori yang berputar.** Jika anda hilang kawalan, kord boleh terpotong atau tersangkut dan tangan atau lengan anda boleh tertarik ke dalam roda yang berputar.
12. **Bersihkan dengan kerap bolong udara alat kuasa.** Kipas motor boleh mengeluarkan habuk di dalam perumah dan pengumpulan logam serbuk yang berlebihan boleh menyebabkan bahaya elektrik.
13. **Jangan kendalikan alat kuasa berhampiran bahan mudah terbakar. Jangan kendalikan alat kuasa semasa ditempatkan pada permukaan mudah terbakar seperti kayu.** Percikan boleh menyalakan bahan ini.
14. **Jangan gunakan aksesori yang memerlukan bahan pendingin cecair.** Penggunaan air atau bahan pendingin cecair yang lain boleh menyebabkan renjatan elektrik.

#### **Tolak keluar dan amaran berkaitan**

Tolak keluar ialah tindak balas tiba-tiba kepada roda berputar yang tersepit atau tersangkut. Tersepit atau tersangkut menyebabkan roda berputar berhenti tiba-tiba yang menyebabkan unit pemotongan yang tidak terkawal ditolak ke atas ke arah pengendali. Sebagai contoh, jika roda pelepas tersangkut atau tersepit pada bahan kerja, bahagian tepi roda yang memasuki titik sepihan boleh menekan dalam permukaan bahan menyebabkan roda ternaik atau terkeluar. Roda pelepas mungkin juga pecah di bawah keadaan ini.

Tolak keluar adalah akibat daripada penyalahgunaan alat kuasa dan/atau prosedur atau keadaan operasi yang tidak betul dan boleh dielakkan dengan mengambil langkah berjaga-jaga yang betul seperti yang diberikan di bawah.

1. **Kekalkan genggaman yang kukuh pada alat kuasa dan pastikan kedudukan badan dan lengan anda membolehkan anda menahan daya tolak keluar.** Pengendali boleh mengawal daya tolak keluar ke atas, jika langkah berjaga-jaga yang betul diambil.

2. **Pastikan badan anda tidak berada sebaris dengan roda berputar.** Jika tolak keluar berlaku, ia akan menggerakkan unit pemotongan ke atas ke arah pengendali.
3. **Jangan pasang rantai gergaji, bilah pengukir kayu, roda intan bersegm dengan celah pinggir lebih besar daripada 10 mm atau bilah gergaji bergigi.** Bilah seperti ini akan kerap menghasilkan tolak keluar dan hilang kawalan.
4. **Jangan biarkan roda "tersekat" atau mengenakan tekanan berlebihan.** Jangan cuba membuat kedalaman potongan yang berlebihan. Mengenaikan tekanan yang berlebihan kepada roda akan meningkatkan beban dan kecenderungan untuk berputar atau terkapit roda dalam potongan dan kemungkinan tolak keluar atau roda pecah.
5. **Apabila roda terkapit atau apabila mengganggu pemotongan atas apa jua sebab, matikan alat kuasa dan pegang unit pemotongan tidak bergerak sehingga roda berhenti sepenuhnya.** Jangan sekali-kali cuba menanggalkan roda daripada potongan ketika roda sedang bergerak, jika tidak tolak keluar mungkin berlaku. Siasat dan ambil tindakan pembetulan untuk menyingkirkan sebab roda terkapit.
6. **Jangan mulakan semula operasi pemotongan dalam bahan kerja. Biarkan roda mencapai kelajuan penuh dan masukkan semula roda ke dalam potongan dengan berhati-hati.** Roda boleh terkapit, berjalan ke atas atau tolak keluar jika alat kuasa dimulakan semula dalam bahan kerja.
7. **Sokong sebarang bahan kerja yang terlalu besar untuk meminumkan risiko roda tersepit atau tolak keluar.** Bahan kerja yang besar mudah melendut di bawah beratnya sendiri. Penyokong mesti diletakkan di bawah bahan kerja berhampiran garisan potongan dan berhampiran pinggir bahan kerja pada kedua-dua belah roda.

#### **Amaran keselamatan tambahan**

1. **Berjaga-jaga dengan percikan api berterbangan semasa mengendalikan.** Ia boleh menyebabkan kecederaan atau menyalakan bahan mudah terbakar.
2. **Kukuhkan kerja. Gunakan pengapit atau ragum untuk memegang kerja semasa praktikal.** Ia lebih selamat daripada menggunakan tangan anda dan ia membebaskan kedua-dua tangan untuk mengendalikan alat.
3. **Kukuhkan roda pemotong dengan berhati-hati.**
4. **Berhati-hati supaya tidak merosakkan spindel, bibir (terutamanya permukaan pemasangan) atau bolt, atau roda pemotong itu sendiri boleh pecah.**
5. **Pastikan pelindung berada di tempatnya dan berfungsi.**
6. **Pegang pemegang dengan kukuh.**
7. **Jauhkan tangan daripada bahagian berpusing.**
8. **Pastikan roda pemotong tidak menyentuh bahan kerja sebelum suis dihidupkan.**

9. Sebelum setiap penggunaan, perhatikan goyangan atau getaran berlebihan yang mungkin disebabkan oleh pemasangan yang tidak betul atau roda yang tidak seimbang.
10. Keluarkan bahan atau serpihan daripada kawasan tersebut yang boleh dinyalakan oleh percikan api. Pastikan bahagian lain tidak berada pada laluan percikan api. Pastikan pemadam api yang elok dan penuh tersedia berdekatan.
11. Jika roda pemotong berhenti semasa operasi, mengeluarkan bunyi pelik atau mula bergetar, matikan alat dengan serta-merta.
12. Sentiasa matikan dan tunggu roda pemotong berhenti sepenuhnya sebelum mengeluarkan, mengukuhkan bahan kerja, mengerjakan ragum, menukar posisi kerja, sudut atau roda pemotong itu sendiri.
13. Jangan sentuh bahan kerja dengan serta-merta selepas operasi; ia sangat panas dan boleh melecurkan kulit anda.
14. Simpan roda di lokasi yang kering sahaja.

## SIMPAN ARAHAN INI.

## PEMASANGAN

**AMARAN:** Alat ini menghasilkan percikan api semasa memotong bahan kerja. Jangan pasang alat ini di tempat bahan mudah terbakar dan/atau meletup yang boleh dinyalakan oleh percikan api daripada alat. Pastikan juga tidak terdapat sebarang bahan tersebut berdekatan alat sebelum memulakan operasi.

### Mengukuhkan tapak

Alat ini haruslah diboltkan dengan dua bolt pada permukaan yang rata dan stabil menggunakan lubang bolt yang tersedia dalam tapak alat. Ini akan membantu mengelakkan terjongket atau sebarang kecederaan diri.

- **Rajah1:** 1. Lubang bolt 2. Tapak

## KETERANGAN FUNGSI

**PERHATIAN:** Sentiasa pastikan alat dimatikan dan dicabut sebelum menyelaras atau menyemak fungsi pada alat.

### Membuka kunci/mengunci kepala alat

Kepala alat boleh dikunci.

Buka cangkuk rantai kunci daripada cangkuk apabila menggunakannya. Apabila tidak digunakan atau dibawa, sentiasa cangkukkan rantai kunci pada cangkuk.

- **Rajah2:** 1. Cangkuk 2. Rantai kunci

### Tindakan suis

**AMARAN:** Sebelum memasang alat, sentiasa periksa untuk melihat pemacu suis bergerak dengan betul dan kembali ke posisi "OFF" apabila dilepaskan.

- **Rajah3:** 1. Butang kunci / butang buka kunci  
2. Pemicu suis

#### Untuk alat dengan butang kunci

Untuk memulakan alat, hanya tarik pemacu suis.

Lepaskan pemacu suis untuk berhenti. Untuk operasi berterusan, tarik pemacu suis, tekan butang kunci dan kemudian lepaskan pemacu suis. Untuk menghentikan alat dari kedudukan terkunci, tarik pemacu sepenuhnya, kemudian lepaskan.

**PERHATIAN:** Suis boleh dikunci dalam kedudukan "ON" untuk memudahkan keselesaan pengendali semasa penggunaan berpanjangan. Berhati-hati semasa mengunci alat dalam kedudukan "ON" dan kekalkan genggaman yang kukuh pada alat.

#### Untuk alat dengan butang buka kunci

Untuk mengelakkan pemacu suis daripada ditarik secara tidak sengaja, butang buka kunci disediakan. Untuk memulakan alat, tekan butang buka kunci dan tarik pemacu suis. Lepaskan pemacu suis untuk berhenti.

**AMARAN:** JANGAN SEKALI-KALI galkan butang buka kunci dengan mengetuk atau dengan cara yang lain. Suis dengan butang buka kunci yang tidak berfungsi mungkin menyebabkan operasi yang tidak disengajakan dan kecederaan diri yang serius.

**AMARAN:** JANGAN SEKALI-KALI gunakan alat jika ia berjalan apabila anda hanya menarik pemacu suis tanpa menekan butang buka kunci. Suis yang perlu dibaiki mungkin menyebabkan operasi yang tidak disengajakan dan kecederaan diri yang serius. Kembalikan alat kepada pusat servis Makita untuk pembaikan yang betul SEBELUM penggunaan seterusnya.

**NOTIS:** Jangan tarik pemacu suis dengan kuat tanpa menekan butang buka kunci. Ini akan menyebabkan suis pecah.

## Jarak antara ragum dan plat panduan

**⚠️ PERHATIAN:** Selepas menyesuaikan jarak antara ragum dan plat panduan, pastikan plat panduan dikukuhkan dengan betul. Penetapan yang tidak cukup mungkin menyebabkan kecederaan diri.

**⚠️ PERHATIAN:** Ingat bahawa bahan kerja yang kecil mungkin tidak boleh dikukuhkan dengan selamat apabila menggunakan dua tetapan jarak ragum lebih luas.

Tetapan jarak ragum berikut tersedia:

- 0 - 170 mm (0" - 6-11/16") (tetapan asal)
- 35 - 205 mm (1-3/8" - 8-1/16")
- 70 - 240 mm (2-3/4" - 9-7/16")

Jika kerja anda memerlukan tetapan berlainan, teruskan seperti berikut untuk menukar ruang atau jarak.

Keluarkan dua bolt soket heksagon menggunakan kunci allen. Gerakkan plat panduan kepada kedudukan yang diinginkan dan kukuhkan ia dengan bolt soket heksagon.

► **Rajah4:** 1. Kunci allen 2. Plat panduan 3. Bolt soket heksagon

## Penyesuaian sudut pemotongan

**⚠️ PERHATIAN:** Selepas menyesuaikan sudut antara plat panduan, pastikan plat panduan dikukuhkan dengan betul. Penetapan yang tidak cukup mungkin menyebabkan kecederaan diri.

**⚠️ PERHATIAN:** Apabila melakukan potongan rengong tepat, sentiasa tetapkan plat panduan pada kedudukan 0 - 170 mm (0" - 6-11/16"). Tetapan pada kedudukan 35 - 205 mm (1-3/8" - 8-1/16") atau 70 - 240 mm (2-3/4" - 9-7/16") menghalang pergerakan plat penyumbat yang menyebabkan kegagalan memotong.

**⚠️ PERHATIAN:** Jangan kendalikan alat apabila bahan tidak dipasang dengan kukuh dengan ragum kerana sudut pemotongan.

Longgarkan dua bolt soket heksagon menggunakan kunci allen. Pusingkan plat panduan kepada sudut yang diinginkan dan kukuhkan ia dengan bolt soket heksagon. Berhati-hati supaya tidak mengalihkan tetapan sudut semasa mengukuhkan bolt soket heksagon.

► **Rajah5:** 1. Plat panduan 2. Bolt soket heksagon

**NOTA:** Skala pada plat panduan hanyalah penunjuk kasar. Untuk sudut yang lebih tepat, gunakan jangka sudut atau pembaris tiga segi. Pastikan pemegang ke bawah supaya roda pemotong sampai kepada tapak. Pada masa yang sama, sesuaikan sudut antara plat panduan dan roda pemotong dengan jangka sudut atau pembaris tiga segi.

## Penyesuaian pelindung percikan api

► **Rajah6:** 1. Skru 2. Pelindung percikan api

Pelindung percikan api dipasang di kilang dengan bucu bawahnya menyentuh tapak. Mengendalikan alat pada kedudukan ini akan menyebabkan banyak percikan api berterbangan. Longgarkan skru dan sesuaikan pelindung percikan api kepada kedudukan yang percikan api akan berterbangan dengan minimum.

## Plat penyumbat

**Khusus negara**

► **Rajah7:** 1. Plat penyumbat

Plat penyumbat mengelakkan roda pemotong daripada tersentuh meja kerja atau lantai. Apabila roda pemotong baharu dipasang, tetapkan penyumbat pada kedudukan (A). Apabila roda pemotong telah haus sehingga bahagian bawah bahan kerja tidak dipotong, tetapkan plat penyumbat kepada posisi (B) untuk membenarkan peningkatan kapasiti pemotongan dengan roda yang telah haus.

## PEMASANGAN

**⚠️ PERHATIAN:** Sentiasa pastikan alat dimatikan dan palamnya dicabut sebelum menjalankan apa-apa kerja pada alat.

## Membuka pelindung keselamatan jenis penutup tengah

**Khusus negara**

Untuk alatan yang dilengkapi dengan pelindung keselamatan jenis penutup tengah, longgarkan skru pengapit dahulu kemudian naikkan pelindung.

► **Rajah8:** 1. Skru pengapit

## Mengeluarkan atau memasang roda pemotong

**⚠️ PERHATIAN:** Pastikan anda mengetatkan bolt soket heksagon dengan kukuh. Pengetatan yang tidak cukup mungkin menyebabkan kecederaan diri yang teruk. Apabila mengetatkan bolt soket heksagon, gunakan kunci allen yang disediakan dengan alat untuk memastikan pengetatan yang betul.

**⚠️ PERHATIAN:** Sentiasa gunakan hanya bebibir dalam atau luar yang betul yang disediakan dengan alat.

**⚠️ PERHATIAN:** Sentiasa turunkan pelindung keselamatan selepas menggantikan roda.

**⚠️ PERHATIAN:** Pakai sarung tangan semasa mengendalikan roda.

► **Rajah9:** 1. Bebibir dalaman 2. Gelang 3. Gelang 4. Roda pemotongan bertetulang terikat 5. Bebibir luar 6. Sesendal 7. Bolt soket heksagon



Naikkan pelindung keselamatan. Pusingkan bolt soket heksagon arah lawan jam menggunakan kunci allen sambil menekan kunci aci. Kemudian keluarkan bolt soket heksagon, sesendal, bebibir luar dan roda.

► **Rajah10:** 1. Kunci aci 2. Bolt soket heksagon

Untuk memasang roda, ikuti prosedur mengeluarkan secara terbalik. Pastikan untuk memadankan lubang roda pemotongan kepada gelang dan kembalikan pelindung keselamatan.

## Penyimpanan sepada heksagon

► **Rajah11:** 1. Kunci allen

Apabila tidak digunakan, simpan kunci allen seperti yang ditunjukkan dalam rajah agar tidak hilang.

## OPERASI

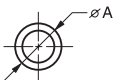
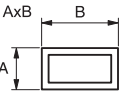
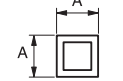

**⚠PERHATIAN:** Tekanan pemegang yang betul semasa memotong dan kecekapan pemotongan maksimum boleh ditentukan dengan jumlah percikan api yang dihasilkan semasa memotong. Jangan paksa potongan dengan mengenakan tekanan berlebihan kepada pemegang. Kecekapan pemotongan yang berkurangan, haus roda terlalu awal, dan juga, kemungkinan kerosakan kepada alat, roda pemotongan atau bahan kerja boleh terhasil.

Pegang pemegang dengan kukuh. Hidupkan alat dan tunggu sehingga roda pemotongan mencapai kelajuan sepenuhnya sebelum merendahkan dengan lembut kepada potongan. Apabila roda pemotongan bersentuhan dengan bahan kerja, tekan pada pemegang secara berperingkat untuk melakukan pemotongan. Apabila pemotongan selesai, matikan alat dan **tunggu sehingga roda pemotongan berhenti sepenuhnya** sebelum kembalikan pemegang kepada kedudukan terangkat.

## Kapasiti pemotongan

Kapasiti maksimum pemotongan berbeza bergantung kepada sudut potongan dan bentuk bahan kerja.

### Kapasiti pemotongan maksimum dengan roda pemotongan baharu

Sudut pemotongan / Bentuk bahan kerja	90°	45°
	127 mm (5")	127 mm (5")
	102 x 194 mm (4" x 7-5/8") 70 x 233 mm (2-3/4" x 9-1/8")	115 x 103 mm (4-1/2" x 4-1/16")
	119 x 119 mm (4-11/16" x 4-11/16")	106 x 106 mm (4-3/16" x 4-3/16")
	137 x 137 x 10 mm (5-3/8" x 5-3/8" x 3/8")	100 x 100 x 10 mm (4" x 4" x 3/8")

## Mengukuhkan bahan kerja

**⚠PERHATIAN:** Sentiasa letakkan pemegang ulir pada ulir aci apabila mengukuhkan bahan kerja. Kegagalan untuk berbuat demikian mungkin menyebabkan pengukuhan bahan kerja yang tidak mencukupi. Ini boleh menyebabkan bahan kerja ditolak atau menyebabkan pemecahan yang bahaya roda pemotongan.

Semasa pemegang ulir di angkat, plat ragum boleh dialihkan masuk atau keluar dengan cepat. Untuk memegang bahan kerja, tolak pemegang sehingga plat ragum menyentuh bahan kerja dan kemudian kembalikan pemegang ulir. Pusingkan pemegang mengikut arah jam sehingga bahan kerja telah dipegang dengan kukuh.

► **Rajah12:** 1. Pemegang 2. Pemegang ulir 3. Plat ragum

Apabila roda pemotongan telah sangat haus, letakkan blok penjarak di belakang bahan kerja seperti yang ditunjukkan dalam rajah. Anda boleh menggunakan roda yang haus dengan lebih efisien dengan menggunakan titik tengah pada pinggir roda untuk memotong bahan kerja. Gunakan bahan yang tahan dan tidak mudah terbakar sebagai blok penjarak.

► **Rajah13:** 1. Blok penjarak

Apabila memotong bahan kerja melebihi lebar 85 mm (3-3/8") pada satu sudut, pasangkan satu kayu lurus (penjarak) melebihi panjang 190 mm (7-1/2") x lebar 45 mm (1-3/4") pada plat panduan seperti yang ditunjukkan di dalam rajah. Pasangkan penjarak ini dengan skru melalui lubang pada plat panduan. Pastikan roda pemotongan tidak bersentuhan dengan penjarak apabila kepala alat ditekan.

► **Rajah14:** 1. Plat panduan 2. Blok penjarak melebihi panjang 190 mm (7-1/2") x lebar 45 mm (1-3/4") 3. Bahan kerja melebihi lebar 85 mm (3-3/8") 4. Plat ragum

#### ► Rajah15

Apabila roda pemotongan telah haus, naikkan kedudukan pemotongan dengan meletakkan penjarak yang lebih kecil sedikit daripada bahan kerja seperti yang ditunjukkan dalam rajah. Ini akan membantu anda menggunakan roda pemotongan secara ekonomi.

► **Rajah16:** 1. Plat ragum 2. Diameter bahan kerja 3. Plat panduan 4. Lebar blok penjarak

Bahan kerja yang panjang mestilah disokong dengan blok pada kedua-dua sisi supaya ia akan sama paras dengan atas tapak. Gunakan bahan tidak mudah terbakar untuk blok sokongan.

► **Rajah17:** 1. Blok sokongan

## Alat membawa

Lipat turun kepala alat dan kuncikan ia. Pegang pemegang apabila membawa.

► **Rajah18**

## PENYELENGGARAAN

**PERHATIAN:** Sentiasa pastikan alat dimatikan dan palamnya dicabut sebelum cuba menjalankan pemeriksaan atau penyelenggaraan.

**NOTIS:** Jangan gunakan petrol, benzin, pencair, alkohol atau bahan yang serupa. Ia boleh menyebabkan perubahan warna, bentuk atau keretakan.

## Menggantikan berus karbon

► **Rajah19:** 1. Tanda had

Periksa berus karbon dengan kerap. Gantikan ia apabila ia telah haus sehingga tanda had. Pastikan berus karbon sentiasa bersih dan bebas untuk dimasukkan ke dalam pemegang. Kedua-dua berus karbon harus diganti pada masa yang sama. Gunakan hanya berus karbon yang serupa.

1. Gunakan pemutar skru untuk mengeluarkan penutup pemegang berus.

2. Keluarkan berus karbon yang telah haus, masukkan berus baharu dan kukuhkan penutup pemegang berus.

► **Rajah20:** 1. Penutup pemegang berus

Untuk mengekalkan KESELAMATAN dan KEBOLEHPERCAYAAN produk, pembaikan, apa-apa penyelenggaraan atau penyesuaian lain perlu dilakukan oleh Kilang atau Pusat Servis Makita yang Diiktiraf, sentiasa gunakan alat ganti Makita.

## THÔNG SỐ KỸ THUẬT

Kiểu máy:	M2401
Đường kính đĩa mài	355 mm
Chiều dày đĩa mài tối đa	3 mm
Đường kính lỗ	25,4 mm
Tốc độ không tải	3.800 min <sup>-1</sup>
Kích thước (Dài x Rộng x Cao)	500 mm x 280 mm x 620 mm
Khối lượng tịnh	14,3 kg
Cấp độ an toàn	□/II

- Do chương trình nghiên cứu và phát triển liên tục của chúng tôi nên các thông số kỹ thuật trong đây có thể thay đổi mà không cần thông báo trước.
- Các thông số kỹ thuật có thể thay đổi tùy theo từng quốc gia.
- Khối lượng tùy theo Quy trình EPTA tháng 01/2003
- Hình dạng và khối lượng sẽ khác nhau tùy vào thông số kỹ thuật thay đổi theo từng quốc gia.

### Ký hiệu

Phần dưới đây cho biết các ký hiệu có thể được dùng cho thiết bị. Đảm bảo rằng bạn hiểu rõ ý nghĩa của các ký hiệu này trước khi sử dụng.



Mang kính an toàn.



Đọc tài liệu hướng dẫn.



CÁCH ĐIỆN CẤP 2



Chỉ dành cho các quốc gia EU  
Không thái bỏ thiết bị điện cùng với các chất thải sinh hoạt! Để tuân thủ Chỉ thị của Châu Âu về thiết bị điện và điện tử thải bỏ, và thi hành những chỉ thị này phù hợp với luật lệ quốc gia, thiết bị điện tử không còn sử dụng được nữa phải được thu nhặt riêng và đưa trở lại một cơ sở tái chế tương thích với môi trường.

### Mục đích sử dụng

Dụng cụ này được dùng để cắt vật liệu chứa sắt với đĩa cắt nhám phù hợp. Tuân theo tất cả các luật lệ và quy định liên quan đến bụi và khu vực làm việc, sức khỏe và an toàn ở đất nước của bạn.

### Nguồn cấp điện

Dụng cụ này chỉ được nối với nguồn cấp điện có điện áp giống như đã chỉ ra trên biển tên và chỉ có thể được vận hành trên nguồn điện AC đơn pha. Chúng được cách điện hai lớp và do đó cũng có thể được sử dụng từ các ổ cắm điện không có dây tiếp đất.

## CẢNH BÁO AN TOÀN

### Cảnh báo an toàn chung dành cho dụng cụ máy

**⚠ CẢNH BÁO:** Xin đọc tất cả các cảnh báo an toàn, hướng dẫn, minh họa và thông số kỹ thuật đi kèm với dụng cụ máy này. Việc không tuân theo các hướng dẫn được liệt kê dưới đây có thể dẫn đến điện giật, hỏa hoạn và/hoặc thương tích nghiêm trọng.

### Lưu giữ tất cả cảnh báo và hướng dẫn để tham khảo sau này.

Thuật ngữ “dụng cụ máy” trong các cảnh báo đề cập đến dụng cụ máy (có dây) được vận hành bằng nguồn điện chính hoặc dụng cụ máy (không dây) được vận hành bằng pin của bạn.

#### An toàn tại nơi làm việc

1. **Giữ nơi làm việc sạch sẽ và có đủ ánh sáng.**  
Nơi làm việc bừa bộn hoặc tối thường dễ gây ra tai nạn.
2. **Không vận hành dụng cụ máy trong môi trường nguy hiểm, ví dụ như môi trường có sự hiện diện của các chất lỏng, khí hoặc bụi dễ cháy.** Các dụng cụ máy tạo tia lửa điện có thể làm bụi hoặc khí bốc cháy.
3. **Giữ trẻ em và người ngoài tránh xa nơi làm việc khi đang vận hành dụng cụ máy.** Sự xao lãng có thể khiến bạn mất khả năng kiểm soát.

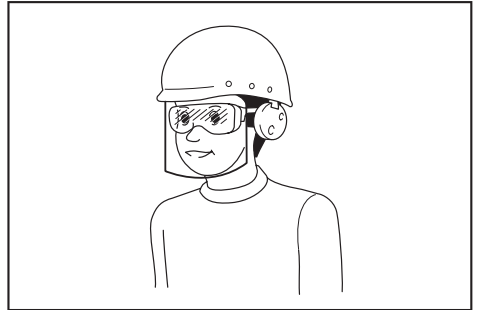
## An toàn về Điện

1. **Phích cắm của dụng cụ máy phải khớp với ổ cắm. Không được sửa đổi phích cắm theo bất kỳ cách nào. Không sử dụng bất kỳ phích chuyển đổi nào với các dụng cụ máy được nối đất (tiếp đất).** Các phích cắm còn nguyên vẹn và ổ cắm phù hợp sẽ giảm nguy cơ điện giật.
2. **Tránh để cơ thể tiếp xúc với các bề mặt nóng đất hoặc tiếp đất như đường ống, bộ tản nhiệt, bếp ga và tủ lạnh.** Nguy cơ bị điện giật sẽ tăng lên nếu cơ thể bạn được nối đất hoặc tiếp đất.
3. **Không để dụng cụ máy tiếp xúc với máy hoặc trong điều kiện ẩm ướt.** Nước lọt vào dụng cụ máy sẽ làm tăng nguy cơ điện giật.
4. **Không làm dụng cụ dây điện. Không được phép sử dụng dây để mang, kéo hoặc tháo phích cắm dụng cụ máy. Giữ dây tránh xa nguồn nhiệt, dầu, các mép sắc hoặc các bộ phận chuyển động.** Dây bị hỏng hoặc bị rối sẽ làm tăng nguy cơ điện giật.
5. **Khi vận hành dụng cụ máy ngoài trời, hãy sử dụng dây kéo dài phù hợp cho việc sử dụng ngoài trời.** Việc dùng dây phù hợp cho việc sử dụng ngoài trời sẽ giảm nguy cơ điện giật.
6. **Nếu bắt buộc phải vận hành dụng cụ máy ở nơi ẩm ướt, hãy sử dụng nguồn cấp điện được bảo vệ bằng thiết bị ngắt dòng điện rò (RCD).** Việc sử dụng RCD sẽ làm giảm nguy cơ điện giật.
7. **Chúng tôi luôn khuyên bạn sử dụng nguồn cấp điện qua thiết bị RCD có thể ngắt dòng điện rò định mức 30 mA hoặc thấp hơn.**
8. **Các dụng cụ máy có thể tạo ra từ trường điện (EMF) có hại cho người dùng.** Tuy nhiên, người dùng máy trợ tim và những thiết bị y tế tương tự khác nên liên hệ với nhà sản xuất thiết bị và/hoặc bác sỹ để được tư vấn trước khi vận hành dụng cụ này.
9. **Không chạm vào đầu cắm điện bằng tay ướt.**
10. **Nếu dây bị hỏng, hãy nhờ nhà sản xuất hoặc đại lý thay dây mới để tránh nguy hiểm về an toàn.**

## An toàn Cá nhân

1. **Luôn tỉnh táo, quan sát những việc bạn đang làm và sử dụng những phán đoán theo kinh nghiệm khi vận hành dụng cụ máy. Không sử dụng dụng cụ máy khi bạn đang mệt mỏi hoặc chịu ảnh hưởng của ma túy, rượu hay thuốc.** Chỉ một khoảnh khắc không tập trung khi đang vận hành dụng cụ máy cũng có thể dẫn đến thương tích cá nhân nghiêm trọng.
2. **Sử dụng thiết bị bảo hộ cá nhân. Luôn đeo thiết bị bảo vệ mắt.** Các thiết bị bảo hộ như mặt nạ chống bụi, giày an toàn chống trượt, mũ bảo hộ hay thiết bị bảo vệ thính giác được sử dụng trong các điều kiện thích hợp sẽ giúp giảm thương tích cá nhân.
3. **Tránh vô tình khởi động dụng cụ máy. Đảm bảo công tắc ở vị trí off (tắt) trước khi nối nguồn điện và/hoặc bộ pin, cắm hoặc di chuyển dụng cụ máy.** Việc di chuyển dụng cụ máy khi đang đặt ngón tay ở vị trí công tắc hoặc cấp điện cho dụng cụ máy đang bật thường dễ gây ra tai nạn.

4. **Tháo tất cả các khóa hoặc cờ lê điều chỉnh trước khi bật dụng cụ máy.** Việc cờ lê hoặc khóa vẫn còn gắn vào bộ phận quay của dụng cụ máy có thể dẫn đến thương tích cá nhân.
5. **Không vớ quá cao. Luôn giữ thẳng bằng tốt và có chỗ để chân phù hợp.** Điều này cho phép điều khiển dụng cụ máy tốt hơn trong những tình huống bất ngờ.
6. **Ăn mặc phù hợp. Không mặc quần áo rộng hay đeo đồ trang sức. Giữ tóc và quần áo tránh xa các bộ phận chuyển động.** Quần áo rộng, đồ trang sức hay tóc dài có thể mắc vào các bộ phận chuyển động.
7. **Nếu các thiết bị được cung cấp để kết nối các thiết bị thu gom và hút bụi, hãy đảm bảo chúng được kết nối và sử dụng hợp lý.** Việc sử dụng thiết bị thu gom bụi có thể làm giảm những mối nguy hiểm liên quan đến bụi.
8. **Không vì quen thuộc do thường xuyên sử dụng các dụng cụ mà cho phép bạn trở nên tự mãn và bỏ qua các nguyên tắc an toàn dụng cụ.** Một hành động bất cẩn có thể gây ra thương tích nghiêm trọng trong một phần của một giây.
9. **Luôn luôn mang kính bảo hộ để bảo vệ mắt khỏi bị thương khi đang sử dụng các dụng cụ máy. Kính bảo hộ phải tuân thủ ANSI Z87.1 ở Mỹ, EN 166 ở Châu Âu, hoặc AS/NZS 1336 ở Úc/New Zealand. Tại Úc/New Zealand, theo luật pháp, bạn cũng phải mang mặt nạ che mặt để bảo vệ mặt.**



Trách nhiệm của chủ lao động là bắt buộc người vận hành dụng cụ và những người khác trong khu vực làm việc cạnh đó phải sử dụng các thiết bị bảo hộ an toàn thích hợp.

## Sử dụng và bảo quản dụng cụ máy

1. **Không dùng lực đẩy với dụng cụ máy. Sử dụng đúng dụng cụ máy cho công việc của bạn.** Sử dụng đúng dụng cụ máy sẽ giúp thực hiện công việc tốt hơn và an toàn hơn theo giá trị định mức được thiết kế của dụng cụ máy đó.
2. **Không sử dụng dụng cụ máy nếu công tắc không bật và tắt được dụng cụ máy đó.** Mọi dụng cụ máy không thể điều khiển được bằng công tắc đều rất nguy hiểm và phải được sửa chữa.

3. **Rút phích cắm ra khỏi nguồn điện và/hoặc tháo kết nối bộ pin khỏi dụng cụ máy, nếu có thể tháo rời trước khi thực hiện bất kỳ công việc điều chỉnh, thay đổi phụ tùng hay cất giữ dụng cụ máy nào.** Những biện pháp an toàn phòng ngừa này sẽ giảm nguy cơ vô tình khởi động dụng cụ máy.
4. **Cất giữ các dụng cụ máy không sử dụng ngoài tầm với của trẻ em và không cho bất kỳ người nào không có hiểu biết về dụng cụ máy hoặc các hướng dẫn này vận hành dụng cụ máy.** Dụng cụ máy sẽ rất nguy hiểm nếu được sử dụng bởi những người dùng chưa qua đào tạo.
5. **Bảo dưỡng dụng cụ máy và các phụ kiện.** Kiểm tra tình trạng lịch trực hoặc bộ kẹp của các bộ phận chuyển động, hiện tượng nứt vỡ của các bộ phận và mọi tình trạng khác mà có thể ảnh hưởng đến hoạt động của dụng cụ máy. Nếu có hỏng hóc, hãy sửa chữa dụng cụ máy trước khi sử dụng. Nhiều tai nạn xảy ra là do không bảo quản tốt dụng cụ máy.
6. **Luôn giữ cho dụng cụ cất được sắc bén và sạch sẽ.** Những dụng cụ cất được bảo quản tốt có mép cắt sắc sẽ ít bị kẹt hơn và dễ điều khiển hơn.
7. **Sử dụng dụng cụ máy, phụ tùng và đầu dụng cụ cắt, v.v... theo các hướng dẫn này, có tính đến điều kiện làm việc và công việc được thực hiện.** Việc sử dụng dụng cụ máy cho các công việc khác với công việc dự định có thể gây nguy hiểm.
8. **Giữ tay cầm và bề mặt tay cầm khô, sạch, không dính dầu và mỡ.** Tay cầm trơn trượt và bề mặt tay cầm không cho phép xử lý an toàn và kiểm soát dụng cụ trong các tình huống bất ngờ.
9. **Khi sử dụng dụng cụ, không được đi giày tay lao động bằng vải, có thể bị vướng.** Việc gắn tay áo động bằng vải vướng vào các bộ phận chuyển động có thể gây ra thương tích cá nhân.

#### **Bảo dưỡng**

1. **Để nhân viên sửa chữa đủ trình độ bảo dưỡng dụng cụ máy của bạn và chỉ sử dụng các bộ phận thay thế đồng nhất.** Việc này sẽ đảm bảo duy trì được độ an toàn của dụng cụ máy.
2. **Tuân theo hướng dẫn dành cho việc bôi trơn và thay phụ tùng.**

### **Cảnh báo an toàn đối với máy cắt**

1. **Hãy tìm chỗ đứng cho bản thân mình và những người xung quanh để tránh xa mặt phẳng đĩa mài đang quay.** Phần bảo vệ giúp bảo vệ người vận hành khỏi các mảnh đĩa mài bị vỡ và vô tình tiếp xúc với đĩa mài.
2. **Chỉ sử dụng đĩa cắt tăng cường gắn kết cho dụng cụ máy của bạn.** Bởi nếu có thể gắn phụ kiện vào dụng cụ máy của bạn thì điều đó hoàn toàn không đảm bảo việc vận hành máy an toàn.
3. **Tốc độ định mức của phụ kiện ít nhất phải bằng tốc độ tối đa được đánh dấu trên dụng cụ máy này.** Các phụ kiện chạy nhanh hơn tốc độ định mức của chúng có thể bị vỡ và bay ra ngoài.
4. **Chỉ sử dụng đĩa mài cho các ứng dụng được khuyến nghị.** Ví dụ: không mài mặt bên của đĩa mài cắt. Đĩa mài cắt nhám được dùng để mài ngoại vi, tác dụng lực mặt bên lên những đĩa mài này có thể khiến chúng vỡ vụn.
5. **Luôn luôn sử dụng mặt bích đĩa mài không bị hư hại có đường kính chính xác cho đĩa mài bạn đã chọn.** Các mặt bích đĩa mài phù hợp sẽ hỗ trợ đĩa mài giảm bớt khả năng bị vỡ đĩa mài.
6. **Đường kính bên ngoài và độ dày của phụ kiện phải nằm trong mức đánh giá công suất của dụng cụ máy của bạn.** Các phụ kiện có kích thước không chính xác không thể được bảo vệ hoặc kiểm soát một cách đầy đủ.
7. **Kích thước trục tâm của mặt bích và đĩa mài phải khớp với vòng hãm của dụng cụ máy này.** Mặt bích và đĩa mài có lỗ định vị giữa không khớp với phần cứng lắp đặt của dụng cụ máy sẽ bị mất cân bằng, rung động quá mức và có thể gây ra mất kiểm soát.
8. **Không sử dụng đĩa mài đã hỏng.** Trước mỗi lần sử dụng, hãy kiểm tra đĩa mài xem có các mặt vụn và vết nứt hay không. Nếu dụng cụ máy hoặc đĩa mài bị rơi, hãy kiểm tra hư hỏng hoặc lắp lại đĩa mài không bị hư hại. Sau khi kiểm tra và cài đặt đĩa mài, hãy tìm chỗ đứng cho bản thân mình và những người xung quanh để tránh xa mặt phẳng đĩa mài quay và chạy dụng cụ máy này ở tốc độ không tải tối đa trong vòng một phút. Đĩa mài bị hư hỏng thông thường sẽ bị vỡ trong thời gian thử nghiệm này.
9. **Mang thiết bị bảo hộ cá nhân.** Tùy thuộc vào việc sử dụng máy, hãy dùng mặt nạ bảo vệ mặt, kính bảo hộ hoặc kính an toàn. Khi thích hợp, hãy mang mặt nạ chống bụi, dụng cụ bảo vệ thính giác, găng tay và tạp dề công xường có khả năng ngăn chặn các mảnh mảnh mòn hoặc mảnh vỡ từ phổi gia công. Thiết bị bảo vệ mặt phải có khả năng ngăn chặn các mảnh vụn bay ra phát sinh bởi các hoạt động khác nhau. Mặt nạ chống bụi hoặc khẩu trang phải có khả năng lọc được các hạt tạo ra bởi hoạt động của bạn. Tiếp xúc kéo dài với tiếng ồn có cường độ cao có thể gây ra mất thính giác.
10. **Giữ những người xung quanh tránh xa nơi làm việc một khoảng cách an toàn.** Bất cứ ai bước vào khu vực làm việc đều phải đeo thiết bị bảo hộ cá nhân. Các mảnh vỡ của phổi gia công hoặc đĩa mài bị vỡ có thể bắn ra và gây thương tích bên ngoài khu vực thao tác cạnh đó.
11. **Đặt dây dẫn không để vướng phụ kiện quay.** Nếu bạn bị mất kiểm soát, dây dẫn có thể bị cắt hoặc bị quấn và bàn tay hoặc cánh tay của bạn có thể bị vào đĩa mài quay đó.
12. **Thường xuyên làm sạch các lỗ thông hơi của dụng cụ máy.** Quạt của động cơ có thể thu hút bụi vào bên trong vỏ và nhiều bột kim loại tích tụ có thể gây ra các nguy hiểm về điện.
13. **Không vận hành công cụ máy gần các vật liệu dễ cháy.** Không vận hành dụng cụ máy khi đặt trên bề mặt dễ cháy như gỗ. Các tia lửa có thể kích cháy các vật liệu này.

- Không sử dụng các phụ kiện có yêu cầu chất làm mát dạng lỏng.** Sử dụng chất làm mát bằng nước hoặc chất lỏng khác có thể dẫn đến điện giật hoặc sốc.

#### Lực đẩy ngược và cảnh báo liên quan

Lực đẩy ngược là một phản ứng bất ngờ đối với đĩa mài đang quay nhưng bị kẹt hoặc bị quấn. Việc bị kẹt hoặc quấn sẽ làm đĩa mài đang quay bị dừng nhanh chóng và do đó thiết bị cắt không kiểm soát được sẽ bị buộc phải hướng lên trên về phía người vận hành. Ví dụ, nếu đĩa nhám bị quấn hoặc kẹt bởi phôi gia công, phần mép của đĩa đang đi vào điểm kẹt có thể cày xới bề mặt vật liệu làm đĩa nhám trượt hoặc văng ra ngoài. Đĩa nhám cũng có thể bị vỡ trong những tình trạng sau. Lực đẩy ngược là kết quả của việc sử dụng dụng cụ máy không đúng và/hoặc do các quy trình vận hành hoặc các điều kiện không chính xác và có thể tránh được bằng cách thực hiện các biện pháp phòng ngừa thích hợp như được nêu dưới đây.

- Nắm giữ chắc dụng cụ máy và chọn thế đứng và vị trí tay cầm để cho phép bạn chống lại lực đẩy ngược.** Người vận hành máy có thể kiểm soát lực đẩy ngược hướng lên trên nếu thực hiện các biện pháp phòng ngừa đúng cách.
- Không được để cơ thể bạn thẳng hàng với đĩa mài đang quay.** Nếu xảy ra hiện tượng bật ngược lại sẽ đẩy thiết bị cắt hướng lên trên về phía người vận hành.
- Không được gắn lưỡi cưa xích, khắc gỗ, đĩa mài kim cương hình quạt với khoảng cách ngoài vi lớn hơn 10 mm hoặc đính kèm lưỡi cưa có răng.** Các loại lưỡi như vậy thường tạo ra lực đẩy ngược và dễ mất kiểm soát.
- Không làm “kẹt” đĩa mài hoặc dùng lực quá nhiều.** Dùng lực quá nhiều lên đĩa mài sẽ làm tăng tải trọng và dễ bị xoắn hoặc bó kẹt đĩa mài khi cắt và có khả năng đẩy ngược hoặc bị vỡ đĩa mài.
- Khi đĩa mài bị bó kẹt hoặc khi đường cắt bị gián đoạn vì bất kỳ lý do nào, hãy tắt dụng cụ máy và giữ thiết bị cắt đứng im cho đến khi đĩa mài hoàn toàn dừng lại.** Không được cố gỡ đĩa mài ra khỏi đường cắt khi đĩa mài vẫn đang chuyển động nếu không có thể xảy ra hiện tượng bật ngược lại. Kiểm tra và tiến hành khắc phục để loại bỏ nguyên nhân gây bó kẹt đĩa mài.
- Không khởi động lại thao tác cắt trong phôi gia công. Để đĩa mài đạt đến tốc độ tối đa và cẩn thận nhập lại đường cắt.** Đĩa mài có thể bị bó kẹt, bật lên hoặc bật ngược lại nếu dụng cụ máy được khởi động lại trong phôi gia công.
- Đỡ phôi gia công có kích thước quá lớn để giảm thiểu nguy cơ làm kẹt bó đĩa và bật ngược lại.** Phôi gia công lớn thường có xu hướng văng xuống do khối lượng của nó. Phải đặt các giá đỡ dưới phôi gia công gần đường cắt và gần cạnh của phôi gia công ở cả hai phía của đĩa mài.

#### Cảnh báo an toàn bổ sung

- Coi chừng các tia lửa bắn ra khi vận hành.** Chúng có thể gây ra thương tích hoặc kích cháy các vật liệu dễ cháy.
- Giữ chặt vật công tác. Sử dụng bàn kẹp hoặc mỏ cặp để giữ khi thực hành.** Điều này sẽ an toàn hơn dùng tay và giúp hai tay tự do để vận hành dụng cụ.

- Xiết chặt đĩa cắt cẩn thận.**
- Cẩn thận để không làm hỏng trụ quay, các mặt bích (đặc biệt là bề mặt lắp đặt) hoặc bu-lông, hoặc đế đĩa cắt tự vỡ.**
- Giữ các phần bảo vệ đúng vị trí và theo thứ tự làm việc.**
- Giữ tay chắc chắn tay cầm.**
- Giữ tay tránh xa các bộ phận quay.**
- Phải đảm bảo rằng đĩa cắt không tiếp xúc với phôi gia công trước khi bật công tắc lên.**
- Trước mỗi lần sử dụng, theo dõi sự dao động hoặc rung động quá mức có thể bị gây ra do việc lắp đặt không đạt yêu cầu hoặc đĩa mài được cân bằng kém.**
- Loại bỏ vật liệu hoặc các mảnh vụn ra khỏi khu vực có thể kích nổ bởi các tia lửa.** Đảm bảo rằng không có ai khác ở trên đường tiến của các tia lửa. Luôn đề sẵn bình chữa cháy đã sạc đầy, đúng cách ở gần bên.
- Nếu đĩa cắt dừng lại trong khi vận hành, tạo ra tiếng ồn lạ hoặc bắt đầu rung động, hãy tắt dụng cụ ngay lập tức.**
- Luôn tắt công tắc và chờ cho đĩa cắt ngừng hoàn toàn trước khi tháo, cố định phôi gia công, chạy dụng cụ kẹp, thay đổi vị trí làm việc, góc hoặc đĩa cắt của công cụ.**
- Không chạm vào phôi gia công ngay sau khi vận hành; chúng rất nóng và có thể gây bỏng da.**
- Chỉ cất giữ đĩa mài ở nơi khô ráo.**

## LƯU GIỮ CÁC HƯỚNG DẪN NÀY.

### LẮP RÁP

**⚠ CẢNH BÁO:** Dụng cụ này sẽ sinh ra tia lửa khi cắt phôi gia công. Không lắp dụng cụ này ở những nơi mà vật liệu dễ cháy và/hoặc dễ phát nổ có thể bị kích nổ bởi các tia lửa từ dụng cụ. Cũng phải đảm bảo rằng không có những vật liệu đó ở gần dụng cụ trước khi bắt đầu vận hành.

### Cố định phần đế

Dụng cụ này cần phải được bắt hai bu-lông vào một bề mặt phẳng và cố định có sử dụng các lỗ bu-lông được cung cấp trong đế của dụng cụ. Điều này sẽ giúp ngăn trượt dụng cụ và thương tích cá nhân có thể xảy ra.

► **Hình1:** 1. Các lỗ bu-lông 2. Đế

# MÔ TẢ CHỨC NĂNG

**⚠️ THẬN TRỌNG:** Luôn bảo đảm rằng dụng cụ được tắt điện và rút phích cắm trước khi điều chỉnh hoặc kiểm tra chức năng của dụng cụ.

## Mở/ khóa đầu dụng cụ

Đầu dụng cụ có thể được khóa lại. Khi sử dụng, tháo móc xích khóa ra khỏi móc. Khi không sử dụng hoặc mang vác, luôn móc xích khóa vào móc.

► **Hình2:** 1. Móc treo 2. Khóa xích

## Hoạt động công tắc

**⚠️ CẢNH BÁO:** Trước khi cắm điện vào dụng cụ, luôn luôn kiểm tra xem cần khởi động công tắc có hoạt động bình thường hay không và trả về vị trí "OFF" (TẮT) khi nhả ra.

► **Hình3:** 1. Nút khóa / Nút Nhà khóa 2. Cần khởi động công tắc

### Đối với dụng cụ có nút khóa

Để khởi động dụng cụ, chỉ cần kéo cần khởi động công tắc. Nhà cần khởi động công tắc ra để dừng. Để vận hành liên tục, hãy kéo cần khởi động công tắc, nhấn nút khóa và sau đó nhà cần khởi động công tắc ra. Để dừng dụng cụ từ vị trí đã khóa, hãy kéo cần khởi động hết cỡ, sau đó nhả nó ra.

**⚠️ THẬN TRỌNG:** Công tắc có thể khóa ở vị trí "ON" (BẬT) để người vận hành dễ dàng thuận tiện trong quá trình sử dụng kéo dài. Cần hết sức cẩn trọng khi khóa dụng cụ ở vị trí "ON" (BẬT) và phải luôn giữ chặt dụng cụ.

### Đối với dụng cụ có nút nhà khóa

Để ngăn ngừa vô tình kéo bộ khởi động công tắc, dụng cụ được trang bị một nút nhà khóa. Để khởi động dụng cụ, nhấn nút nhà khóa và kéo cần khởi động công tắc. Nhà cần khởi động công tắc ra để dừng.

**⚠️ CẢNH BÁO:** KHÔNG ĐƯỢC PHÉP làm hỏng nút nhà khóa bằng cách buộc xuống hoặc một số cách khác. Một nút nhà khóa không hiệu quả có thể dẫn đến vận hành vô tình và thương tích cá nhân nghiêm trọng.

**⚠️ CẢNH BÁO:** KHÔNG ĐƯỢC PHÉP sử dụng dụng cụ này nếu nó chạy khi bạn chỉ kéo cần khởi động công tắc mà không nhấn nút nhà khóa. Một công tắc cần sửa có thể dẫn đến vận hành vô tình và thương tích cá nhân nghiêm trọng. Hãy trả dụng cụ lại cho một trung tâm dịch vụ Makita để sửa chữa phù hợp TRƯỚC KHI sử dụng tiếp sau này.

**CHÚ Ý:** Không được kéo mạnh bộ khởi động công tắc mà không ấn nút nhà khóa. Điều này có thể làm gãy nút công tắc.

## Khoảng cách giữa dụng cụ kẹp và tấm cữ

**⚠️ THẬN TRỌNG:** Sau khi điều chỉnh khoảng cách giữa mỏ cặp và tấm cữ, đảm bảo rằng tấm cữ được cố định đúng cách. Cố định không đủ chặt có thể gây ra thương tích cá nhân.

**⚠️ THẬN TRỌNG:** Cần nhớ rằng phôi gia công kẹp có thể không được đảm bảo an toàn khi sử dụng cài đặt khoảng thời gian kẹp rộng hơn.

Các cài đặt khoảng thời gian sau đây của mỏ cặp luôn có sẵn:

- 0 - 170 mm (0" - 6-11/16") (cài đặt gốc)
- 35 - 205 mm (1-3/8" - 8-1/16")
- 70 - 240 mm (2-3/4" - 9-7/16")

Nếu công việc của bạn đòi hỏi cài đặt khác, hãy tiến hành như sau để thay đổi khoảng cách hoặc khoảng thời gian.

Tháo hai bu-lông đầu lỗ lục giác bằng cách sử dụng một khóa lục giác. Di chuyển tấm cữ sang vị trí mong muốn và xiết chặt nó bằng bu-lông đầu lỗ lục giác.

► **Hình4:** 1. Khóa lục giác 2. Tấm cữ 3. Bu-lông đầu lỗ lục giác

## Điều chỉnh góc cắt

**⚠️ THẬN TRỌNG:** Sau khi điều chỉnh góc của tấm cữ, đảm bảo rằng tấm cữ được cố định chắc chắn. Cố định không đủ chặt có thể gây ra thương tích cá nhân.

**⚠️ THẬN TRỌNG:** Khi thực hiện cắt vát góc phải, luôn đặt tấm cữ ở vị trí 0 - 170 mm (0" - 6-11/16"). Cài đặt tại vị trí 35 - 205 mm (1-3/8" - 8-1/16") hoặc 70 - 240 mm (2-3/4" - 9-7/16") sẽ cản trở việc di chuyển tấm cữ chặn dẫn đến cắt hỏng.

**⚠️ THẬN TRỌNG:** Không vận hành dụng cụ khi vật liệu không được giữ chặt bằng mỏ cặp do góc cắt.

Nới lỏng hai bu-lông đầu lỗ lục giác bằng cách sử dụng một khóa lục giác. Xoay tấm cữ sang góc mong muốn và xiết chặt nó bằng bu-lông đầu lỗ lục giác. Cần thận trọng để di chuyển góc đã đặt trong khi cố định bu-lông đầu lỗ lục giác.

► **Hình5:** 1. Tấm cữ 2. Bu-lông đầu lỗ lục giác

**LƯU Ý:** Thang đo trên tấm cữ chỉ cho thấy dấu hiệu sơ lược. Đối với các góc cần chính xác hơn, hãy dùng dụng cụ đo góc hoặc thước tam giác. Giữ tay cầm hướng xuống sao cho đĩa cắt kéo dài vào phần đế. Cùng lúc đó, điều chỉnh góc giữa tấm cữ và đĩa cắt bằng dụng cụ đo góc hoặc thước tam giác.

## Điều chỉnh bộ phận chắn tia lửa

► **Hình6:** 1. Vít 2. Bộ phận chắn tia lửa

Bộ phận chắn tia lửa lắp đặt tại nhà máy có mép dưới tiếp xúc với phần đế. Vận hành dụng cụ ở vị trí này sẽ gây ra nhiều tia lửa bắn ra xung quanh. Nới lỏng vít và điều chỉnh bộ phận chắn tia lửa sang vị trí giảm tối thiểu các tia lửa bắn ra xung quanh.

## TẮM CỬ CHẶN

### Quốc gia cụ thể

► **Hình7:** 1. Tắm cử chặn

Tắm cử chặn ngăn ngừa đĩa cắt tiếp xúc với bàn gia công hoặc sàn. Khi lắp đặt một đĩa cắt mới, đặt tắm cử chặn sang vị trí (A). Khi đĩa cắt đã mòn đến phần dưới của phôi gia công chưa được cắt, đặt tắm cử chặn sang vị trí (B) để cho phép công suất cắt tăng lên với đĩa mài đã bị mòn.

## LẮP RÁP

**⚠ THẬN TRỌNG:** Luôn luôn đảm bảo rằng dụng cụ đã được tắt và tháo phích cắm trước khi dùng dụng cụ thực hiện bất cứ công việc nào.

## Mở phần bảo vệ an toàn kiểu nắp mở trung tâm

### Đặc trưng quốc gia

Đối với dụng cụ được trang bị phần bảo vệ an toàn kiểu nắp mở trung tâm, nới lỏng ốc xiết trước tiên rồi mới nâng phần bảo vệ lên.

► **Hình8:** 1. Ốc xiết

## Tháo hoặc lắp đĩa cắt

**⚠ THẬN TRỌNG:** Đảm bảo vận chặt bu-lông đầu lỗ lục giác. Vận không đủ chặt có thể gây ra thương tích nghiêm trọng. Khi vận bu-lông đầu lỗ lục giác, sử dụng khóa lục giác đi kèm với dụng cụ để đảm bảo vận đúng cách.

**⚠ THẬN TRỌNG:** Chỉ luôn sử dụng các vành trong và vành ngoài thích hợp được cung cấp kèm theo dụng cụ.

**⚠ THẬN TRỌNG:** Luôn hạ phần bảo vệ an toàn sau khi thay đĩa mài.

**⚠ THẬN TRỌNG:** Mang găng tay khi xử lý đĩa mài.

► **Hình9:** 1. Vành trong 2. Vòng 3. Vòng chữ O 4. Đĩa cắt 5. Vành ngoài 6. Vòng đệm 7. Bu-lông đầu lỗ lục giác

Nâng phần bảo vệ lên. Vận bu-lông đầu lỗ lục giác ngược chiều kim đồng hồ bằng cách sử dụng khóa lục giác trong khi giữ khóa trục hướng xuống. Sau đó tháo bu-lông đầu lỗ lục giác, vòng đệm, vành ngoài và đĩa mài.

► **Hình10:** 1. Khóa trục 2. Bu-lông đầu lỗ lục giác

Để lắp đĩa mài, hãy làm ngược lại các quy trình tháo ra. Đảm bảo đã gắn lỗ của đĩa cắt vào vòng và xoay phần bảo vệ an toàn trở về.

## Cắt giữ cờ lê sáu cạnh

► **Hình11:** 1. Cờ lê sáu cạnh

Khi không sử dụng, cắt giữ cờ lê sáu cạnh như được minh họa trong hình để tránh làm mất.

## VẬN HÀNH

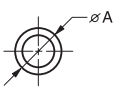
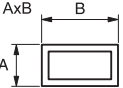
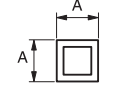
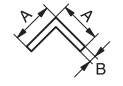
**⚠ THẬN TRỌNG:** Xử lý áp suất thích hợp trong quá trình cắt và hiệu quả cắt tối đa có thể được xác định bởi số lượng các tia lửa sinh ra trong khi cắt. Không cố cắt bằng cách dùng lực quá nhiều trên tay cầm. Hiệu quả cắt giảm, đĩa mài bị mòn sớm, cũng như khả năng hư hỏng dụng cụ, đĩa cắt hoặc phôi gia công có thể xảy ra.

Giữ thật chắc tay cầm. Bật dụng cụ và chờ đến khi đĩa cắt đạt được tốc độ tối đa trước khi nhẹ nhàng hạ thấp sang vị trí cắt. Khi đĩa cắt tiếp xúc với phôi gia công, dần dần ấn lực xuống tay cầm để thực hiện cắt. Sau khi cắt xong, hãy tắt dụng cụ và chờ đến khi đĩa cắt dừng hoàn toàn trước khi đưa tay cầm trở lại vị trí nâng cao hết mức.

## Khả năng cắt

Công suất cắt tối đa thay đổi tùy theo góc cắt và hình dạng phôi gia công.

### Công suất cắt tối đa với đĩa cắt mới tinh

Góc cắt/ Hình dạng phôi gia công	90°	45°
	127 mm (5")	127 mm (5")
	102 x 194 mm (4" x 7-5/8") 70 x 233 mm (2-3/4" x 9-1/8")	115 x 103 mm (4-1/2" x 4-1/16")
	119 x 119 mm (4-11/16" x 4-11/16")	106 x 106 mm (4-3/16" x 4-3/16")
	137 x 137 x 10 mm (5-3/8" x 5-3/8" x 3/8")	100 x 100 x 10 mm (4" x 4" x 3/8")

## Cố định phôi gia công

**⚠ THẬN TRỌNG:** Luôn đặt giá đỡ ren lên các ren trục khi cố định phôi gia công. Không làm như vậy có thể dẫn đến phôi gia công không được cố định chắc. Điều này có thể làm phôi gia công bị đẩy ra hoặc gãy vỡ đĩa cắt rất nguy hiểm.

Trong khi nâng giá đỡ ren lên, tấm dụng cụ kẹp có thể được di chuyển ra vào nhanh chóng. Để nắm lấy phôi gia công, đẩy tay cầm cho đến khi tấm dụng cụ kẹp tiếp xúc với phôi gia công rồi sau đó quay trở về giá đỡ ren. Xoay tay cầm theo chiều kim đồng hồ cho đến khi phôi gia công được giữ chặt.

► **Hình12:** 1. Tay cầm 2. Giá đỡ ren 3. Tấm dụng cụ kẹp



Khi đĩa cắt đã bị mòn đáng kể, đặt một khối để chặn đằng sau các phôi gia công như thể hiện trong hình. Bạn có thể sử dụng đĩa mài bị mòn hiệu quả hơn bằng cách sử dụng điểm giữa trong chu vi của đĩa mài để cắt phôi gia công. Sử dụng vật liệu không cháy và bền cho khối để chặn.

► **Hình13:** 1. Khối để chặn

Khi cắt phôi gia công ở một góc rộng hơn 85 mm (3-3/8"), hãy gắn các mẫu gỗ thẳng (để chặn) dài hơn 190 mm (7-1/2") x rộng hơn 45 mm (1-3/4") vào tấm cữ như thể hiện trong hình. Gắn để chặn này bằng các vít xuyên qua các lỗ trong tấm cữ. Đảm bảo rằng đĩa cắt không tiếp xúc với đế chặn khi nhả đầu dụng cụ.

► **Hình14:** 1. Tấm cữ 2. Khối để chặn dài hơn 190 mm (7-1/2") x rộng hơn 45 mm (1-3/4")  
3. Phôi gia công rộng hơn 85 mm (3-3/8")  
4. Tấm dụng cụ kẹp

► **Hình15**

Khi đĩa cắt đã bị mòn, tăng vị trí cắt bằng cách đặt khối để chặn hơi hẹp hơn so với phôi gia công như thể hiện trong hình. Điều này sẽ giúp bạn sử dụng đĩa cắt tiết kiệm.

► **Hình16:** 1. Tấm dụng cụ kẹp 2. Đường kính phôi gia công 3. Tấm cữ 4. Chiều rộng khối để chặn

Phôi gia công dài phải được đỡ bằng các khối trên cả hai mặt sao cho nó nằm ngang với chóp đế. Sử dụng vật liệu không cháy cho khối đỡ.

► **Hình17:** 1. Khối đỡ

## Mang vác dụng cụ

Xếp đầu dụng cụ xuống và khóa lại. Giữ tay cầm khi mang vác.

► **Hình18**

## BẢO TRÌ

**⚠ THẬN TRỌNG:** Luôn bảo đảm rằng dụng cụ được tắt điện và rút phích cắm trước khi thử thực hiện việc kiểm tra hoặc bảo trì.

**CHÚ Ý:** Không được phép dùng xăng, ết xăng, dung môi, cồn hoặc hóa chất tương tự. Có thể xảy ra hiện tượng mất màu, biến dạng hoặc nứt vỡ.

## Thay chổi than

► **Hình19:** 1. Vạch giới hạn

Kiểm tra chổi than thường xuyên.

Thay chổi than khi chúng bị mòn dưới vạch giới hạn.

Giữ các chổi than sạch và có thể trượt dễ dàng vào chỗ giữ chổi. Cả hai chổi than phải được thay thế cùng một lúc. Chỉ sử dụng các chổi than giống nhau.

1. Sử dụng tua vít để tháo nắp giá đỡ chổi than.

2. Tháo chổi than đã mòn ra, lắp chổi than mới và cố định nắp giữ chổi than.

► **Hình20:** 1. Nắp giữ chổi

Để đảm bảo ĐỘ AN TOÀN và ĐỘ TIN CẬY của sản phẩm, việc sửa chữa hoặc bất cứ thao tác bảo trì, điều chỉnh nào đều phải được thực hiện bởi các Trung tâm Dịch vụ Nhà máy hoặc Trung tâm được Makita Ủy quyền và luôn sử dụng các phụ tùng thiết bị thay thế của Makita.

## ข้อมูลจำเพาะ

รุ่น:	M2401
เส้นผ่านศูนย์กลางลูกล้อ	355 mm
ความหนาล้อสูงสุด	3 mm
เส้นผ่านศูนย์กลางของรู	25.4 mm
ความเร็วหมุนเปล่า	3,800 min <sup>-1</sup>
ขนาด (ยาว x กว้าง x สูง)	500 mm x 280 mm x 620 mm
น้ำหนักสุทธิ	14.3 kg
มาตรฐานความปลอดภัย	☐/II

- เนื่องจากการค้นคว้าวิจัยและพัฒนาอย่างต่อเนื่อง ข้อมูลจำเพาะในเอกสารฉบับนี้อาจเปลี่ยนแปลงได้โดยไม่ต้องแจ้งให้ทราบล่วงหน้า
- ข้อมูลจำเพาะอาจแตกต่างกันไปในแต่ละประเทศ
- น้ำหนักตามข้อบังคับของ EPTA 01/2003
- รูปร่างและน้ำหนักจะแตกต่างกันไปตามข้อมูลจำเพาะ ซึ่งจะแตกต่างกันไปในแต่ละประเทศ

## สัญลักษณ์

ต่อไปนี้เป็นสัญลักษณ์ที่อาจใช้สำหรับอุปกรณ์ โปรดศึกษาความหมายของสัญลักษณ์ให้เข้าใจก่อนการใช้งาน



สวมแว่นตานิรภัย



อ่านคู่มือการใช้งาน



ฉนวนสองชั้น



สำหรับประเทศในสหภาพยุโรปเท่านั้น ห้ามทิ้งอุปกรณ์ไฟฟ้ารวมกับขยะครัวเรือนทั่วไป! เพื่อให้เป็นไปตามกฎระเบียบของยุโรปเกี่ยวกับขยะจำพวกอุปกรณ์ไฟฟ้าและอิเล็กทรอนิกส์ และการปฏิบัติตามกฎหมายในประเทศ ต้องเก็บอุปกรณ์ไฟฟ้าทั้งหมดอายุการใช้งานแล้วแยกต่างหาก และส่งกลับไปยังศูนย์รีไซเคิลที่เป็นมิตรต่อสิ่งแวดล้อม

## จุดประสงค์การใช้งาน

เครื่องมือนี้ใช้สำหรับตัดวัสดุโลหะโดยใช้ล้อตัดแบบชนิดที่เหมาะสม ปฏิบัติตามกฎหมายและข้อกำหนดทั้งหมดที่เกี่ยวข้องกับฝุ่นและสุขภาพและความปลอดภัยในพื้นที่ทำงานในประเทศของคุณ

## แหล่งจ่ายไฟ

ควรเชื่อมต่อเครื่องมือกับแหล่งจ่ายไฟที่มีแรงดันไฟฟ้าตามที่ระบุไว้ในป้ายข้อมูลของเครื่องมือ และจะต้องใช้ไฟฟ้ากระแสสลับแบบเฟสเดียวเท่านั้น อุปกรณ์นี้ได้รับการคุ้มครองสองชั้นและสามารถใช้กับปลั๊กไฟที่ไม่มีสายดินได้

## คำเตือนด้านความปลอดภัย

### คำเตือนด้านความปลอดภัยของเครื่องมือไฟฟ้าทั่วไป

**คำเตือน:** โปรดอ่านคำเตือนด้านความปลอดภัย คำแนะนำ ภาพประกอบ และข้อมูลจำเพาะต่างๆ ที่มากับเครื่องมือไฟฟ้าอย่างละเอียด การไม่ปฏิบัติตามคำแนะนำดังต่อไปนี้ อาจส่งผลให้เกิดไฟฟ้าช็อต ไฟไหม้ และ/หรือได้รับบาดเจ็บอย่างร้ายแรงได้

### เก็บรักษาคำเตือนและคำแนะนำทั้งหมดไว้

#### เป็นข้อมูลอ้างอิงในอนาคต

คำว่า “เครื่องมือไฟฟ้า” ในคำเตือนนี้หมายถึงเครื่องมือไฟฟ้า (มีสาย) ที่ทำงานโดยใช้กระแสไฟฟ้าหรือเครื่องมือไฟฟ้า (ไร้สาย) ที่ทำงานโดยใช้แบตเตอรี่

#### ความปลอดภัยของพื้นที่ทำงาน

1. ดูแลพื้นที่ทำงานให้มีความสะอาดและมีแสงไฟสว่าง พื้นที่กระเบื้องหรือมีดที่บอบอาจนำไปสู่การเกิดอุบัติเหตุได้
2. อย่าใช้งานเครื่องมือไฟฟ้าในสภาพที่อาจเกิดการระเบิด เช่น ในสถานที่ที่มีของเหลว ก๊าซ หรือฝุ่นผงที่มีคุณสมบัติไวไฟ เครื่องมือไฟฟ้าอาจสร้างประกายไฟและจุดชนวนฝุ่นผงหรือก๊าซดังกล่าว
3. ดูแลไม่ให้มีเด็ก หรือบุคคลอื่นอยู่ในบริเวณที่กำลังใช้เครื่องมือไฟฟ้า การมีสิ่งรบกวนสมาธิอาจทำให้คุณสูญเสียการควบคุม

#### ความปลอดภัยด้านไฟฟ้า

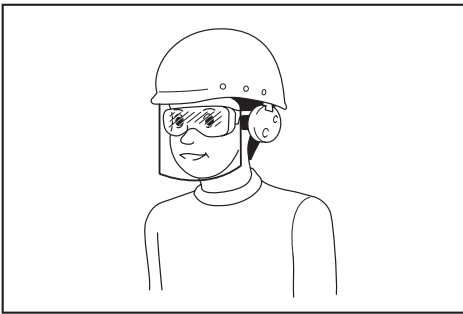
1. ปลั๊กของเครื่องมือไฟฟ้าต้องพอดีกับเต้ารับ อย่าดัดแปลงปลั๊กไม่ว่ากรณีใดๆ อย่าใช้ปลั๊กอะแดปเตอร์กับเครื่องมือไฟฟ้าที่ต่อสายดิน ปลั๊กที่ไม่ถูกดัดแปลงและเต้ารับที่เข้ากันพอดีจะช่วยลดความเสี่ยงของการเกิดไฟฟ้าช็อต
2. ระวังอย่าให้ร่างกายสัมผัสกับพื้นผิวที่ต่อสายดิน เช่น ท่อ เครื่องนำความร้อน เต้าหุงต้ม และตู้เย็น มีความเสี่ยงที่จะเกิดไฟฟ้าช็อตตุงขึ้น หากร่างกายของคุณสัมผัสกับพื้น
3. อย่าให้เครื่องมือไฟฟ้าถูกน้ำหรืออยู่ในสภาพเปียกชื้น น้ำที่ไหลเข้าไปในเครื่องมือไฟฟ้าจะเพิ่มความเสี่ยงของการเกิดไฟฟ้าช็อต

4. อย่าใช้สายไฟอย่างไม่เหมาะสม อย่าใช้สายไฟเพื่อยก ดึง หรือถอดปลั๊กเครื่องมือไฟฟ้า เก็บสายไฟให้ห่างจากความร้อน น้ำมัน ของมีคม หรือชิ้นส่วนที่เคลื่อนที่ สายที่ชำรุดหรือพันกันจะเพิ่มความเสี่ยงของการเกิดไฟฟ้าช็อต
5. ขณะที่ใช้งานเครื่องมือไฟฟ้านอกอาคาร ควรใช้สายต่อพ่วงที่เหมาะสมกับงานภายนอกอาคาร การใช้สายที่เหมาะสมกับงานภายนอกอาคารจะลดความเสี่ยงของการเกิดไฟฟ้าช็อต
6. หากต้องใช้งานเครื่องมือไฟฟ้าในสถานที่เปียกชื้น ให้ใช้อุปกรณ์ป้องกันกระแสไฟรั่ว (RCD) การใช้ RCD จะลดความเสี่ยงของการเกิดไฟฟ้าช็อต
7. แนะนำให้ใช้แหล่งจ่ายไฟผ่าน RCD ที่มีกระแสไฟรั่วในอัตราไม่เกิน 30 mA เสมอ
8. เครื่องมือไฟฟ้าอาจสร้างสนามแม่เหล็ก (EMF) ที่ไม่เป็นอันตรายต่อผู้ใช้ อย่างไรก็ตาม ผู้ใช้ที่ใส่เครื่องกระตุ้นหัวใจและอุปกรณ์ทางการแพทย์ที่คล้ายกันนี้ ควรติดต่อผู้ผลิตอุปกรณ์และ/หรือแพทย์เพื่อรับคำแนะนำก่อนใช้งานเครื่องมือไฟฟ้านี้
9. อย่าจับปลั๊กไฟด้วยมือที่เปียก
10. หากสายไฟชำรุด โปรดให้ผู้ผลิตหรือตัวแทนของผู้ผลิตเปลี่ยนให้ เพื่อหลีกเลี่ยงอันตราย

#### ความปลอดภัยส่วนบุคคล

1. ให้ระมัดระวังและระมัดระวังเมื่อสวมขณะใช้งานเครื่องมือไฟฟ้า อย่าใช้งานเครื่องมือไฟฟ้าในขณะที่คุณกำลังเหนื่อย หรือในสภาพที่มึนเมาจากยาเสพติด เครื่องดื่ม แอลกอฮอล์ หรือการใช้อาหาร ชั่วขณะที่ขาดความระมัดระวังเมื่อกำลังใช้งานเครื่องมือไฟฟ้าอาจทำให้ได้รับบาดเจ็บร้ายแรง
2. ใช้อุปกรณ์ป้องกันส่วนบุคคล สวมแว่นตาป้องกันเสมอ อุปกรณ์ป้องกัน เช่น หน้ากากกันฝุ่น รองเท้านิรภัย กันลื่น หมวกนิรภัย หรือเครื่องป้องกันการได้ยินที่ใช้ในสภาพที่เหมาะสมจะช่วยลดการบาดเจ็บ
3. ป้องกันไม่ให้เกิดการเปิดใช้งานโดยไม่ตั้งใจ ตรวจสอบให้แน่ใจว่าสวิตช์ปิดอยู่ก่อนที่จะเชื่อมต่อกับแหล่งจ่ายไฟ และ/หรือชุดแบตเตอรี่ รวมทั้งตรวจสอบก่อนการยกหรือเคลื่อนย้ายเครื่องมือ การสอดนิ้วมือบริเวณสวิตช์เพื่อถือเครื่องมือไฟฟ้า หรือการชาร์จไฟเครื่องมือไฟฟ้าในขณะที่เปิดสวิตช์อยู่อาจนำไปสู่การเกิดอุบัติเหตุ
4. นำกฎแฉปรับตั้งหรือประกอบออกก่อนที่จะเปิดเครื่องมือไฟฟ้า ประแจหรือกฎแฉที่เสียบค้างอยู่ในชิ้นส่วนที่หมุนได้ของเครื่องมือไฟฟ้าอาจทำให้ได้รับบาดเจ็บ

- อย่าทำงานในระยะเวลาที่สั้นเกินไป จัดทำการยืนและการทรงตัวให้เหมาะสมตลอดเวลา เพราะจะทำให้ควบคุมเครื่องมือไฟฟ้าได้ดีขึ้นในสถานการณ์ที่ไม่คาดคิด
- แต่งกายให้เหมาะสม อย่าสวมเครื่องแต่งกายที่หลวมเกินไป หรือสวมเครื่องประดับ ดูแลไม่ให้เส้นผมและเสื้อผ้าอยู่ใกล้ชิ้นส่วนที่เคลื่อนที่ เสื้อผ้ารุ่มร่าม เครื่องประดับ หรือผมที่มีควมยาวอาจเข้าไปติดในชิ้นส่วนที่เคลื่อนที่
- หากมีการจัดอุปกรณ์สำหรับดูดและจับฝุ่นไว้ในสถานที่ ให้ตรวจสอบว่าได้เชื่อมต่อและใช้งานอุปกรณ์นั้นอย่างเหมาะสม การใช้เครื่องดูดและจับฝุ่นจะช่วยลดอันตรายที่เกิดจากฝุ่นลงได้
- อย่าให้ความคุ้นเคยจากการใช้งานเครื่องมือเป็นประจำทำให้คุณทำตามตามสบายและละเลยหลักการเพื่อความปลอดภัยในการใช้เครื่องมือ การกระทำที่ไม่ระมัดระวังอาจทำให้เกิดการบาดเจ็บร้ายแรงภายในเสี้ยววินาที
- สวมใส่แว่นครอบตานิรภัยเพื่อปกป้องดวงตาของคุณจากการบาดเจ็บเมื่อใช้เครื่องมือไฟฟ้า แว่นครอบตาจะต้องได้มาตรฐาน ANSI Z87.1 ในสหรัฐอเมริกา, EN 166 ในยุโรป หรือ AS/NZS 1336 ในออสเตรเลีย/นิวซีแลนด์ ในออสเตรเลีย/นิวซีแลนด์ จะต้องสวมเกราะป้องกันใบหน้าเพื่อปกป้องใบหน้าของคุณอย่างถูกต้องตามกฎหมายด้วย



ผู้ว่าจ้างมีหน้าที่รับผิดชอบในการบังคับผู้ใช้งานเครื่องมือและบุคคลอื่น ๆ ที่อยู่ในบริเวณที่ปฏิบัติงานให้ใช้อุปกรณ์ป้องกันที่เหมาะสม

#### การใช้และดูแลเครื่องมือไฟฟ้า

- อย่าฝืนใช้เครื่องมือไฟฟ้า ใช้เครื่องมือไฟฟ้าที่เหมาะสมกับการใช้งานของคุณ เครื่องมือไฟฟ้าที่เหมาะสมจะทำให้ได้งานที่มีประสิทธิภาพและปลอดภัยกว่าตามขีดความสามารถของเครื่องที่ได้รับการออกแบบมา
- อย่าใช้เครื่องมือไฟฟ้า หากสวิตช์ไม่สามารถเปิดปิดได้ เครื่องมือไฟฟ้าที่ควบคุมด้วยสวิตช์ไม่ได้เป็นสิ่งอันตรายและต้องได้รับการซ่อมแซม

- ถอดปลั๊กจากแหล่งจ่ายไฟ และ/หรือชุดแบตเตอรี่ออกจากเครื่องมือไฟฟ้าก่อนทำการปรับตั้ง เปลี่ยนอุปกรณ์เสริม หรือจัดเก็บเครื่องมือไฟฟ้า วิธีการป้องกันด้านความปลอดภัยดังกล่าวจะช่วยลดความเสี่ยงในการเปิดใช้งานเครื่องมือไฟฟ้าโดยไม่ตั้งใจ
- จัดเก็บเครื่องมือไฟฟ้าที่ไม่ได้ใช้งานให้ห่างจากมือเด็ก และอย่าอนุญาตให้บุคคลที่ไม่คุ้นเคยกับเครื่องมือไฟฟ้าหรือคำแนะนำเหล่านี้ใช้งานเครื่องมือไฟฟ้า เครื่องมือไฟฟ้าจะเป็นอันตรายเมื่ออยู่ในมือของผู้ที่ไม่ได้รับการฝึกอบรม
- บำรุงรักษาเครื่องมือไฟฟ้าและอุปกรณ์เสริม ตรวจสอบการประกอบที่ไม่ถูกต้องหรือการเชื่อมต่อของชิ้นส่วนที่เคลื่อนที่ การแตกหักของชิ้นส่วน หรือสภาพอื่น ๆ ที่อาจส่งผลกระทบต่อการทำงานของเครื่องมือไฟฟ้า หากมีความเสียหาย ให้นำเครื่องมือไฟฟ้าไปซ่อมแซมก่อนการใช้งาน อุบัติเหตุจำนวนมากเกิดจากการดูแลรักษาเครื่องมือไฟฟ้าอย่างไม่ถูกต้อง
- ทำความสะอาดเครื่องมือตัดและลับให้คมอยู่เสมอ เครื่องมือการตัดที่มีการดูแลอย่างถูกต้องและมีขอบการตัดคมมักจะมีปัญหาตัดขีดน้อยและควบคุมได้ง่ายกว่า
- ใช้เครื่องมือไฟฟ้า อุปกรณ์เสริม และวัสดุสิ้นเปลือง ฯลฯ ตามคำแนะนำดังกล่าว พิจารณาสภาพการทำงานและงานที่จะลงมือทำ การใช้เครื่องมือไฟฟ้าเพื่อทำงานอื่นนอกเหนือจากที่กำหนดไว้อาจทำให้เกิดอันตราย
- ดูแลมือจับและบริเวณมือจับให้แห้ง สะอาด และไม่มีน้ำมันและจาระบีเปื้อน มือจับและบริเวณมือจับที่ชื้นจะทำให้ไม่สามารถจับและควบคุมเครื่องมือได้อย่างปลอดภัยในสถานการณ์ที่ไม่คาดคิด
- ขณะใช้งานเครื่องมือ อย่าสวมใส่ถุงมือผ้าที่อาจเข้าไปติดในเครื่องมือได้ หากถุงมือผ้าเข้าไปติดในชิ้นส่วนที่กำลังเคลื่อนที่อยู่อาจทำให้ได้รับบาดเจ็บ

#### การซ่อมบำรุง

- นำเครื่องมือไฟฟ้าเข้ารับบริการจากช่างซ่อมที่ผ่านการรับรองโดยวิธีอะไหล่แบบเดียวกันเท่านั้น เพราะจะทำให้การใช้เครื่องมือไฟฟ้ามีความปลอดภัย
- ปฏิบัติตามคำแนะนำในการหล่อลื่นและการเปลี่ยนอุปกรณ์เสริม

## คำเตือนด้านความปลอดภัยของเครื่องตัด

1. ให้ตัวคุณเองและผู้ที่อยู่ข้างเคียงอยู่ห่างจากบริเวณที่ล้อยหมุน ที่ป้องกันจะช่วยป้องกันผู้ปฏิบัติงานจากเศษล้อยแตกและการสัมผัสกับล้อยโดยไม่ตั้งใจ
2. ใช้ลูกล้อยตัดเพชรเสริมที่ติดกันกับเครื่องมือไฟฟ้าของคุณเท่านั้น การที่อุปกรณ์เสริมต่างๆ สามารถติดตั้งเข้ากับเครื่องมือไฟฟ้าของคุณได้นั้นไม่ได้เป็นการรับประกันว่าจะสามารถใช้งานร่วมกับอุปกรณ์ดังกล่าวได้อย่างปลอดภัย
3. อัตราความเร็วของอุปกรณ์เสริมนั้นอย่างน้อยต้องเท่ากับความเร็วสูงสุดที่ระบุไว้ในเครื่องมือไฟฟ้านั้น อุปกรณ์เสริมที่ทำงานด้วยความเร็วกว่าอัตราความเร็วของต้นอาจจะแตกหักหรือกระเด็นออกมาได้
4. ต้องใช้งานล้อยในลักษณะการใช้งานที่แนะนำเท่านั้น ตัวอย่างเช่น อย่าขัดด้วยด้านข้างของลูกล้อยตัด ลูกล้อยตัดแบบขัดใช้เพื่อขัดรอบวง แร็กด้านข้างที่กระทำต่อลูกล้อยเหล่านี้อาจทำให้ลูกล้อยแตกและเฉียดได้
5. ใช้แต่แกนล้อยที่ไม่เสียหายและมีเส้นผ่านศูนย์กลางตรงกับลูกล้อยที่ใช้เท่านั้น แกนล้อยที่ถูกต้องจะรองรับลูกล้อยได้อย่างมีประสิทธิภาพจึงสามารถลดโอกาสในการเสียหายของลูกล้อยได้
6. เส้นผ่านศูนย์กลางภายนอกและความหนาของอุปกรณ์เสริมของคุณจะต้องอยู่ในอัตราความสามารถของเครื่องมือไฟฟ้าของคุณ อุปกรณ์เสริมที่มีขนาดไม่เหมาะสมจะไม่สามารถควบคุมหรือป้องกันได้อย่างมีประสิทธิภาพ
7. ขนาดแกนของลูกล้อยและแกนต้องสามารถติดตั้งเข้ากับเพลลาของเครื่องมือไฟฟ้าได้แน่นพอดี ลูกล้อยและแกนพร้อมด้วยข้อใส่แกนที่มีขนาดไม่พอดีที่จะติดตั้งอุปกรณ์ของเครื่องมือไฟฟ้าจะไม่สามารถทำงานได้อย่างสมดุล มีอาการสั่นมากเกินไป และอาจทำให้ไม่สามารถควบคุมได้
8. ห้ามใช้ลูกล้อยที่เสียหาย ก่อนการใช้งานทุกครั้ง โปรดตรวจสอบร่องรอยความเสียหายของลูกล้อย หากลูกล้อยหรือเครื่องมือไฟฟ้าตกลงพื้น ให้ตรวจสอบความเสียหายและติดตั้งลูกล้อยที่ไม่มี ความเสียหาย หลังจากการตรวจสอบและการติดตั้งลูกล้อย ให้ตัวคุณเองและผู้ที่อยู่ใกล้เคียงอยู่ห่างจากบริเวณที่ลูกล้อยหมุนและเปิดเครื่องมือไฟฟ้าที่ความเร็วหมุนเปล่าสูงสุดเป็นเวลาหนึ่งนาที โดยปกติแล้ว ล้อยที่เสียหายจะแตกออกในระหว่างเวลาการทดสอบนี้
9. สวมอุปกรณ์ป้องกันส่วนบุคคล ขึ้นอยู่กับรูปแบบการใช้งานของคุณ ให้ใช้หมวกกันน็อก หน้ากากนิรภัยหรือแว่นนิรภัย สวมหมวกกันป้องกันฝุ่น ที่ป้องกันเสียง ถุงมือ และผ้ากันเปื้อนที่สามารถป้องกันการกระเด็นของชิ้นงานได้ตามความเหมาะสม อุปกรณ์ป้องกันดวงตาจะต้องสามารถป้องกันฝุ่นหรือสิ่งสกปรกที่กระเด็นจากการทำงานได้ หน้ากากป้องกันฝุ่นหรือที่ช่วยหายใจ จะต้องสามารถกรองอนุภาคที่เกิดจากการทำงานของคุณได้ การฟังเสียงดังมาก เป็นเวลานาน อาจทำให้ระบบการได้ยินเสียหายได้
10. โปรดกันให้ผู้ไม่เกี่ยวข้องอยู่ห่างจากบริเวณที่ปฏิบัติงานในระยะปลอดภัย ผู้ที่เข้าพื้นที่ปฏิบัติงานจะต้องสวมอุปกรณ์ป้องกันส่วนบุคคล เช่น ชิ้นงานหรือลูกล้อยที่แตกหักอาจจะกระเด็นและก่อให้เกิดอาการบาดเจ็บในสถานที่รอบๆ บริเวณปฏิบัติงานได้
11. จัดให้สายไฟอยู่ในบริเวณที่ห่างจากอุปกรณ์ที่หมุน หากคุณสูญเสียการควบคุม สายไฟอาจจะถูกตัดหรือถูกดึงทำให้มือหรือแขนของคุณถูกดึงเข้าไปในลูกล้อยที่หมุนได้
12. โปรดทำความสะอาดบรรยากาศของเครื่องมือไฟฟ้าอย่างสม่ำเสมอ พัดลมของมอเตอร์สามารถดูดฝุ่นเข้าไปในตัวเครื่องและการมีผงโลหะในตัวเครื่องมากเกินไปอาจทำให้เกิดอันตรายจากกระแสไฟฟ้าได้
13. อย่าใช้เครื่องมือไฟฟ้าใกล้ๆ วัสดุที่ติดไฟได้ อย่าใช้งานเครื่องมือไฟฟ้าขณะที่ยังอยู่บนพื้นผิวที่ติดไฟได้ง่าย เช่น ไม้ เนื่องจากประกายไฟอาจทำให้วัสดุดังกล่าวติดไฟ
14. อย่าใช้อุปกรณ์เสริมที่ต้องใช้ของเหลวเพื่อระบายความร้อน การใช้น้ำหรือของเหลวเพื่อระบายความร้อนอื่นๆ อาจทำให้เกิดไฟฟ้าดูดได้

### คำเตือนเกี่ยวกับการติดกลับและสิ่งที่เกี่ยวข้อง

การติดกลับคือปฏิกิริยาตอบสนองฉับพลันต่อลูกล้อยที่กำลังหมุนแล้วสะดุดหรือติดขัด การสะดุดหรือการติดขัดจะทำให้ล้อยที่กำลังหมุนบักหัวลงอย่างรวดเร็วซึ่งในสาเหตุให้เครื่องตัดที่ไม่สามารถควบคุมได้เกิดระลอกกลับโดยติดตั้งในผู้ปฏิบัติงาน

ตัวอย่างเช่น หากลูกล้อยขัต้นั้นสะดุดหรือติดขัดกับชิ้นงานขอบของลูกล้อยที่เข้าไปยังจุดติดขัดจะเจาะเข้าไปยังพื้นผิวของวัสดุและทำให้ลูกล้อยติดตัวขึ้นมา ในกรณีดังกล่าว ลูกล้อยขัตอาจจะแตกหักได้ด้วย

การติดกลับเป็นผลมาจากการใช้เครื่องมือไฟฟ้าผิดจุดประสงค์ และ/หรือ การใช้ผิดวิธี และสามารถป้องกันได้โดยใช้วิธีการป้องกันดังต่อไปนี้

- จับตามจับเครื่องมือไฟฟ้าให้แน่นและจัดตำแหน่งร่างกายและแขนให้สามารถต้านทานแรงตีดกลับได้ ผู้ปฏิบัติงานจะสามารถควบคุมแรงตีดกลับในทิศทางขึ้นได้หากดำเนินการป้องกันอย่างเหมาะสม
- อย่าให้ร่างกายของคุณอยู่ในระดับเดียวกับลูกล้อที่กำลังหมุน หากเกิดการตีดกลับจะทำให้เครื่องตัดตีตขึ้นใส่ผู้ปฏิบัติงาน
- อย่าติดตั้งใบมีดเลื่อนแบบโซ่ ใบเลื่อยแบบซี่ ลูกล้อเพชรมีร่องโดยช่องว่างรอบวงกว้างกว่า 10 mm หรือใบเลื่อยที่มีฟัน ใบมีดแบบดังกล่าวมักจะทำให้เกิดการตีดกลับและสูญเสียการควบคุม
- อย่าทำให้ลูกล้อ "ติด" หรือใช้แรงดันมากเกินไป การกดดันลูกล้อมากเกินไปจะเป็นการเพิ่มการไหลและความไวที่ลูกล้อจะเกิดการบิดหรือการตีดขัดระหว่างการตัด และความเป็นไปได้ในการตีดกลับหรือลูกล้อแตก
- เมื่อลูกล้อตีดขัดหรือรบกวนการตัดด้วยเหตุใดๆ ก็ตาม ให้ปิดเครื่องมือไฟฟ้าและถือเครื่องตัดค้างไว้เฉยๆ จนกว่าลูกล้อจะหยุดสนิท ห้ามพยายามถอดลูกล้อออกจากรอยตัดขณะที่ลูกล้อยังเคลื่อนไหว มิฉะนั้นอาจเกิดการตีดกลับได้ ตรวจสอบและแก้ไขเพื่อกำจัดสาเหตุที่ทำให้ลูกล้อตีดขัด
- อย่าเริ่มการตัดชิ้นใหม่โดยที่เครื่องมือคಾಯอยู่ในชิ้นงาน ให้ลูกล้อทำความเร็วสูงสุดแล้วจึงสอดเข้าไปในรอยตัดอีกครั้งอย่างระมัดระวัง ลูกล้ออาจตีดขัด ดั่งหรือตีดกลับได้หากเริ่มใช้เครื่องมือไฟฟ้าระหว่างที่ยังคಾಯอยู่ในชิ้นงาน
- รองรับชิ้นงานขนาดใหญ่ต่างๆ เพื่อลดความเสี่ยงในการที่ลูกล้อจะบีบแน่นและตีดกลับ ชิ้นงานที่มีขนาดใหญ่มีแนวโน้มที่จะแอนลงเนื่องจากน้ำหนักของแผ่นเอง ควรวางที่รองรับไว้ได้ชิ้นงานให้ใกล้กับขอบของชิ้นงานทั้งสองด้านของล้อย
- ใส่ที่ป้องกันไว้ในตำแหน่งที่ถูกต้องและดูแลให้มีสภาพดีสามารถใช้งานได้ตามปกติ
- จับตามจับให้แน่น
- ระวังอย่าให้มือสัมผัสกับชิ้นส่วนที่หมุนได้
- ตรวจสอบให้แน่ใจว่าล้อยึดไม่ได้สัมผัสกับชิ้นงานอยู่ก่อนเปิดสวิตช์
- ก่อนการใช้งานทุกครั้ง โปรดดูการสันสะท้อนหรือโยกโคลงผิดปกติที่อาจแสดงถึงการใส่และการให้สมดุลลูกล้อที่ไม่ดีพอ
- กำจัดวัสดุหรือสิ่งสกปรกจากพื้นที่ที่อาจถูกไหม้ด้วยประกายไฟได้ ตรวจสอบว่าสิ่งอื่นๆ ไม่ได้อยู่ในบริเวณที่อาจเกิดประกายไฟ เก็บอุปกรณ์ดับเพลิงที่เหมาะสมและมีน้ำยาบรรจเต็มไว้ใกล้ๆ
- หากล้อยึดหยุดในระหว่างการทำงาน ส่งเสียงแปลกๆ หรือเริ่มสั่นสะท้อน ให้ปิดสวิตช์เครื่องมือทันที
- ปิดสวิตช์และรอให้ล้อยึดหยุดนิ่งสนิทเสมอก่อนนำชิ้นงานออก ยึดชิ้นงาน ใช้ตัวหนีบ เปลี่ยนตำแหน่งหรือมุมการทำงาน หรือเปลี่ยนล้อยึด
- ห้ามสัมผัสกับชิ้นงานทันทีที่ทำงานเสร็จ เนื่องจากชิ้นงานมีความร้อนสูงและลวกผิวหนังของคุณได้
- เก็บล้อยึดที่แห้งเท่านั้น

## ปฏิบัติตามคำแนะนำเหล่านี้

### การติดตั้ง

**คำเตือน:** อุปกรณ์นี้ทำให้เกิดประกายไฟขณะตัดชิ้นงาน อย่าติดตั้งเครื่องมือนี้ในที่ที่วัสดุไวไฟและ/หรือวัสดุระเบิดอาจติดไฟขึ้นมาด้วยประกายไฟจากเครื่องมือได้ ให้ตรวจสอบว่าไม่มีวัสดุดังกล่าวอยู่ใกล้เครื่องมือก่อนเริ่มการทำงานด้วย

### การยึดฐาน

เครื่องมือนี้ควมใช้สลักเกลียว 2 ตัวยึดไว้กับพื้นผิวที่เรียบเสมอกันและมั่นคง โดยใช้รูสลักเกลียวที่ให้มาในฐานะของเครื่องมือ ซึ่งจะช่วยป้องกันไม่ให้เครื่องมือหยาบและเกิดการบาดเจ็บ

► หมายเลข 1: 1. รูสลักเกลียว 2. ฐาน

### คำเตือนด้านความปลอดภัยเพิ่มเติม

- ระวังประกายไฟกระเด็นขณะทำงาน เนื่องจากอาจทำให้เกิดการบาดเจ็บหรือทำให้วัตถุถูกไหม้ได้
- ปฏิบัติงานอย่างปลอดภัย ใช้ที่จับหรือคีมจับเพื่อจับชิ้นงานเมื่อสามารถกระทำได้ วิธีการนี้จะปลอดภัยกว่าใช้มือจับชิ้นงาน และจะช่วยให้คุณสามารถใช้ทั้งสองมือเพื่อบังคับเครื่องมือด้วย
- ยึดล้อยึดด้วยความระมัดระวัง
- ระวังอย่าทำให้เปลวหมุน แกน (โดยเฉพาะผิวหน้าสำหรับติดตั้ง) หรือสลักเกลียวเสียหาย หรือล้อยึดอาจแตกหัก

## คำอธิบายการทำงาน

**⚠ ข้อควรระวัง:** ตรวจสอบให้แน่ใจว่าได้ปิดสวิตช์เครื่องมือและถอดปลั๊กออกก่อนปรับตั้งหรือตรวจสอบการทำงานของเครื่องมือ

## การปลดล๊อค/การล๊อคหัวเครื่องมือ

หัวเครื่องมือสามารถล๊อคได้

ขณะใช้งาน ให้ปลดโซล๊อคออกจากขอกเกี่ยว ขณะไม่ใช้งาน หรือถือเครื่องมือ ให้เกี่ยวโซล๊อคไว้กับขอกเกี่ยวเสมอ

▶ หมายเลข 2: 1. ขอกเกี่ยว 2. โซล๊อค

## การทำงานของสวิตช์

**⚠ คำเตือน:** ก่อนเสียบปลั๊กเครื่องมือ ให้ตรวจสอบว่าสวิตช์สั่งงานสามารถทำงานได้อย่างถูกต้อง และกลับไปยังตำแหน่ง "OFF" เมื่อปล่อย

▶ หมายเลข 3: 1. ปุ่มล๊อค/ปุ่มปลดล๊อค 2. สวิตช์สั่งงาน

สำหรับเครื่องมือที่มีปุ่มล๊อค

เมื่อต้องการเปิดใช้เครื่องมือ ให้ดึงสวิตช์สั่งงาน ปล่อยสวิตช์สั่งงานเพื่อหยุดทำงาน ถ้าต้องการใช้งานอย่างต่อเนื่อง ดึงสวิตช์สั่งงาน กดปุ่มล๊อคแล้วปล่อยสวิตช์สั่งงาน ถ้าต้องการเลิกใช้งานเครื่องมือในตำแหน่งล๊อค ให้ดึงสวิตช์สั่งงานจนสุด จากนั้นปล่อยสวิตช์

**⚠ ข้อควรระวัง:** สวิตช์สามารถล๊อคในตำแหน่ง "เปิด" เพื่อช่วยให้สะดวกในการใช้งานอย่างต่อเนื่อง ใช้ความระมัดระวังเมื่อล๊อคสวิตช์เครื่องมือในตำแหน่ง "เปิด" และจับเครื่องมือให้แน่นตลอดเวลา

สำหรับเครื่องมือที่มีปุ่มปลดล๊อค

เพื่อป้องกันไม่ให้สวิตช์สั่งงานถูกดึงโดยไม่ตั้งใจจึงมีปุ่มปลดล๊อคติดตั้งไว้ เพื่อเริ่มใช้งานเครื่องมือ กดปุ่มปลดล๊อคแล้วดึงสวิตช์สั่งงาน ปล่อยสวิตช์สั่งงานเพื่อหยุดทำงาน

**⚠ คำเตือน:** ห้ามทำลายปุ่มปลดล๊อคโดยใช้แป้นหรือวิธีอื่น สวิตช์ที่ปุ่มปลดล๊อคใช้ไม่ได้ อาจทำให้เกิดการใช้งานโดยไม่ตั้งใจและทำให้เกิดการบาดเจ็บร้ายแรงได้

**⚠ คำเตือน:** ห้ามใช้เครื่องมือหากเครื่องมือสามารถทำงานได้เมื่อคุณดึงสวิตช์สั่งงานโดยไม่ได้กดปุ่มปลดล๊อค สวิตช์ที่ต้องทำการซ่อมแซมอาจทำให้เกิดการใช้งานโดยไม่ตั้งใจและทำให้เกิดการบาดเจ็บร้ายแรงได้ นำเครื่องมือส่งศูนย์บริการ Makita เพื่อการซ่อมแซมก่อนการใช้งาน

**ข้อสังเกต:** อย่าดึงสวิตช์สั่งงานแรงๆ โดยไม่ได้กดปุ่มปลดล๊อค การทำเช่นนี้อาจทำให้สวิตช์เสียหายได้

## ระยะห่างระหว่างตัวหนีบและแผ่นนำทาง

**⚠ ข้อควรระวัง:** หลังจากปรับช่วงระยะห่างระหว่างตัวหนีบและแผ่นนำทางแล้ว ให้ตรวจสอบว่ายึดแผ่นนำทางไว้แน่นแล้ว การยึดที่ไม่แน่นพออาจทำให้เกิดการบาดเจ็บได้

**⚠ ข้อควรระวัง:** โปรดจำไว้ว่าชิ้นงานที่มีลักษณะแคบอาจไม่ได้ถูกยึดไว้อย่างปลอดภัย เมื่อใช้ค่าระยะห่างอีก 2 ค่าซึ่งมีความกว้างมากกว่า

ตัวหนีบมีการตั้งค่าระยะห่างดังต่อไปนี้

- 0 - 170 mm (0" - 6-11/16") (การตั้งค่าทั่วไป)
- 35 - 205 mm (1-3/8" - 8-1/16")
- 70 - 240 mm (2-3/4" - 9-7/16")

ถ้างานของคุณต้องใช้การตั้งค่าที่ต่างออกไป ให้ปฏิบัติดังนี้เพื่อเปลี่ยนขนาดช่องว่างหรือระยะห่าง

ถอดสลักเกลียวหัวบ็อกซ์หกเหลี่ยมสองตัวโดยใช้ประแจหกเหลี่ยม ขยับแผ่นนำทางไปที่ตำแหน่งที่ต้องการแล้วยึดไว้ด้วยสลักเกลียวหัวบ็อกซ์หกเหลี่ยม

▶ หมายเลข 4: 1. ประแจหกเหลี่ยม 2. แผ่นนำทาง  
3. สลักเกลียวหัวบ็อกซ์หกเหลี่ยม

## การปรับองศาการตัด

**⚠ ข้อควรระวัง:** หลังจากปรับองศาของแผ่นนำทางแล้ว ให้ตรวจสอบว่ายึดแผ่นนำทางไว้แน่นแล้ว การยึดที่ไม่แน่นพออาจทำให้เกิดการบาดเจ็บได้

**⚠ ข้อควรระวัง:** ขณะที่การตัดบากด้านขวา ให้ตั้งค่าแผ่นนำทางไว้ที่ตำแหน่ง 0 - 170 mm (0" - 6-11/16") การตั้งค่าที่ตำแหน่ง 35 - 205 mm (1-3/8" - 8-1/16") or 70 - 240 mm (2-3/4" - 9-7/16") จะเป็นการกีดขวางการเคลื่อนไหวของแผ่นสต็อปเปอร์ ซึ่งจะทำให้การตัดล้มเหลว

**⚠ ข้อควรระวัง:** อย่าใช้งานเครื่องมือขณะที่ยังไม่ยึดวัสดุให้แน่นด้วยตัวหนีบเนื่องจากองศาการตัดไม่เหมาะสม

คลายสลักเกลียวหัวบ็อกซ์หกเหลี่ยมสองตัวโดยใช้ประแจหกเหลี่ยม หมุนแผ่นนำทางไปที่องศาที่ต้องการแล้วยึดไว้ด้วยสลักเกลียวหัวบ็อกซ์หกเหลี่ยม ระวังอย่าขยับองศาที่ตั้งค่าไว้ขณะที่สลักเกลียวหัวบ็อกซ์หกเหลี่ยม

▶ หมายเลข 5: 1. แผ่นนำทาง 2. สลักเกลียวหัวบ็อกซ์หกเหลี่ยม

**หมายเหตุ:** อัตราส่วนบนแผ่นนำทางเป็นการชี้ตำแหน่งอย่างคร่าวๆ เท่านั้น หากต้องการองศาที่แม่นยำยิ่งขึ้น ให้ใช้ไม้โปรแทรกเตอร์หรือไม้บรรทัดสามเหลี่ยม ให้มือจับอยู่ด้านล่างเพื่อให้ล้อตัดยื่นเข้าไปในฐาน ขณะเดียวกัน ให้ปรับองศาระหว่างแผ่นนำทางและล้อตัดโดยใช้ไม้โปรแทรกเตอร์หรือไม้บรรทัดสามเหลี่ยม

## การปรับที่ป้องกันประกายไฟ

▶ **หมายเลข 6:** 1. สกรู 2. ที่ป้องกันประกายไฟ

ที่ป้องกันประกายไฟติดตั้งมาแล้วจากโรงงานโดยที่ขอบด้านล่างจะสัมผัสกับฐาน การใช้งานเครื่องมือในตำแหน่งนี้จะทำให้ประกายไฟกระเด็นไปรอบๆ คลายสกรูและปรับที่ป้องกันประกายไฟให้อยู่ในตำแหน่งที่จะมีประกายไฟกระเด็นน้อยที่สุด

## แผ่นสต็อปเปอร์

*กำหนดเฉพาะประเทศ*

▶ **หมายเลข 7:** 1. แผ่นสต็อปเปอร์

แผ่นสต็อปเปอร์จะป้องกันล้อตัดจากการสัมผัสกับโต๊ะหรือพื้น เมื่อติดตั้งล้อตัดอันใหม่ ให้ตั้งค่าแผ่นสต็อปเปอร์ไว้ที่ตำแหน่ง (A) เมื่อล้อตัดสึกหรองจนถึงระดับที่ตัดส่วนด้านล่างของชิ้นงานไม่ถึงแล้ว ให้ตั้งค่าแผ่นสต็อปเปอร์ไว้ที่ตำแหน่ง (B) เพื่อเพิ่มความสามารถในการตัดโดยใช้ล้อที่สึก

## การประกอบ

▶ **ข้อควรระวัง:** ตรวจสอบให้แน่ใจว่าได้ปิดสวิตช์เครื่องมือและถอดปลั๊กออกก่อนดำเนินงานใดๆ กับเครื่องมือ

## การเปิดที่ป้องกันประเภทฝากลาง

*กำหนดเฉพาะประเทศ*

สำหรับเครื่องมือที่ติดตั้งที่ป้องกันประเภทฝากลางมาแล้ว ให้คลายสกรูกันคลายก่อนแล้วจึงยกที่ป้องกันขึ้น

▶ **หมายเลข 8:** 1. สกรูกันคลาย

## การถอดหรือการติดตั้งล้อขัด

▶ **ข้อควรระวัง:** ตรวจสอบให้แน่ใจว่าได้ขันสลักเกลียวหัวบ็อกซ์หกเหลี่ยมให้แน่น การขันที่ไม่แน่นพออาจทำให้เกิดการบาดเจ็บร้ายแรงได้ เมื่อขันสลักเกลียวหัวบ็อกซ์หกเหลี่ยม ให้ใช้ประแจหกเหลี่ยมที่เหมาะสมกับเครื่องมือเพื่อให้มั่นใจว่าขันแน่น

▶ **ข้อควรระวัง:** ใช้แกนตัวในและแกนตัวนอกที่เหมาะสมซึ่งให้เข้ากับเครื่องมือเท่านั้น

▶ **ข้อควรระวัง:** เอาที่ป้องกันหลังจากเปลี่ยนล้อแล้วเสมอ

▶ **ข้อควรระวัง:** ใส่ถุงมือขณะจับลูกล้อ

▶ **หมายเลข 9:** 1. แกนตัวใน 2. แหวน 3. โอริง 4. ล้อตัด 5. แกนตัวนอก 6. แหวน 7. สลักเกลียวหัวบ็อกซ์หกเหลี่ยม

ยกที่ป้องกัน หมุนสลักเกลียวหัวบ็อกซ์หกเหลี่ยมทวนเข็มนาฬิกาโดยใช้ประแจหกเหลี่ยมขณะกดที่ล๊อคก้านลง จากนั้นให้ถอดสลักเกลียวหัวบ็อกซ์หกเหลี่ยม แหวน แกนตัวนอก และล้อออก

▶ **หมายเลข 10:** 1. ล๊อคก้าน 2. สลักเกลียวหัวบ็อกซ์หกเหลี่ยม

เมื่อต้องการจะติดตั้งวงล้อกลับเข้าที่เดิม ให้ปฏิบัติย้อนขั้นตอนการถอด ตรวจสอบให้รูขของล้อตัดพอดีกับแหวนและใส่ที่ป้องกันคืน

## การเก็บประแจหกเหลี่ยม

▶ **หมายเลข 11:** 1. ประแจหกเหลี่ยม

เมื่อไม่ใช้งาน ให้เก็บประแจหกเหลี่ยมตามที่แสดงในภาพเพื่อไม่ให้สูญหาย



## การใช้งาน


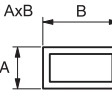
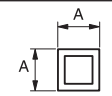

**⚠ ข้อควรระวัง:** สามารถกำหนดแรงกดมือจับที่เหมาะสมระหว่างการตัดและประสิทธิภาพสูงสุดในการตัดได้โดยดูจากปริมาณประกายไฟที่เกิดขึ้นระหว่างการตัด อย่าฝืนตัดด้วยใส่แรงกดที่มือจับมากเกินไป เนื่องจากอาจทำให้ประสิทธิภาพการตัดลดลง ล้อสึกก่อนเวลาอันควร เครื่องมือมีล้อ ล้อตัด หรือชิ้นงานอาจเกิดความเสียหายได้

จับมือจับให้แน่น เปิดสวิตช์เครื่องมือและรอจนกระทั่งล้อตัดทำงานด้วยความเร็วสูงสุดก่อนค่อยๆ ลดระดับลงเพื่อทำการตัดซ้ำ เมื่อล้อตัดสัมผัสกับชิ้นงาน ให้ประคองมือจับให้มั่นคงเพื่อทำการตัด เมื่อตัดเสร็จ ให้ปิดสวิตช์เครื่องมือและ รอจนกระทั่งล้อตัดหยุดนิ่งสนิท ก่อนยกมือจับกลับไปตำแหน่งยกชิ้นงานจนสุด

## ความสามารถการเลี้ยว

ความสามารถสูงสุดในการตัดจะแตกต่างกันขึ้นอยู่กับองศาการตัดและรูปทรงของชิ้นงาน

### ความสามารถสูงสุดในการตัดด้วยล้อตัดใหม่เอี่ยม

องศาการตัด/ รูปทรงของชิ้นงาน	90°	45°
	127 mm (5")	127 mm (5")
	102 x 194 mm (4" x 7-5/8") 70 x 233 mm (2-3/4" x 9-1/8")	115 x 103 mm (4-1/2" x 4-1/16")
	119 x 119 mm (4-11/16" x 4-11/16")	106 x 106 mm (4-3/16" x 4-3/16")
	137 x 137 x 10 mm (5-3/8" x 5-3/8" x 3/8")	100 x 100 x 10 mm (4" x 4" x 3/8")

## การยึดชิ้นงาน

**⚠ ข้อควรระวัง:** วางที่ยึดแกนลงบนแกนของก้านขณะยึดชิ้นงานเสมอ หากไม่ทำตามอาจส่งผลให้ชิ้นงานถูกยึดไม่แน่นพอ ซึ่งอาจทำให้ชิ้นงานถูกดีดออก หรือทำให้ล้อตัดแตกหักซึ่งเป็นอันตรายได้

ขณะยกที่ยึดแกน สามารถขยับแผ่นจับงานเข้าออกได้อย่างรวดเร็ว เมื่อต้องการจับชิ้นงาน ให้กดมือจับบนแผ่นจับงาน สัมผัสกับชิ้นงาน แล้วจึงใส่ที่ยึดแกนกลับคืนที่เดิม หมุนมือจับตามเข็มนาฬิกาจนชิ้นงานถูกยึดไว้แน่น

▶ **หมายเลข 12:** 1. ที่จับ 2. ที่ยึดแกน 3. แผ่นจับงาน

เมื่อล้อตัดสึกลงมาก ให้วางบล็อกตัวรองไว้ด้านหลังชิ้นงานตามที่แสดงในภาพ คุณสามารถใช้ล้อที่สึกอย่างมีประสิทธิภาพมากขึ้นได้โดยใช้จุดกึ่งกลางของเส้นรอบวงของล้อในการตัดชิ้นงาน ใช้วัสดุที่แข็งแรงและไม่ติดไฟเป็นบล็อกตัวรอง

▶ **หมายเลข 13:** 1. บล็อกตัวรอง

ขณะตัดชิ้นงานที่มีองศากว้างกว่า 85 mm (3-3/8") ให้ติดไม้แท่งตรง (ตัวรอง) ที่มีความยาวมากกว่า 190 mm (7-1/2") x ความกว้างมากกว่า 45 mm (1-3/4") กับแผ่นนำทางตามที่แสดงในภาพ ติดตัวรองนี้ด้วยสกรูผ่านรูในแผ่นนำทาง ตรวจสอบว่าล้อตัดไม่สัมผัสกับตัวรองเมื่อกดหัวเครื่องมือแล้ว

▶ **หมายเลข 14:** 1. แผ่นนำทาง 2. บล็อกตัวรอง ยาวกว่า 190 mm (7-1/2") x กว้างกว่า 45 mm (1-3/4") 3. ชิ้นงาน กว้างกว่า 85 mm (3-3/8") 4. แผ่นจับงาน

▶ **หมายเลข 15**

เมื่อล้อตัดสึกลง ให้ยกตำแหน่งการตัดโดยใส่บล็อกตัวรองที่แคบกว่าชิ้นงานเล็กน้อย ตามที่แสดงในภาพ วิธีนี้จะช่วยให้คุณใช้ล้อตัดได้อย่างประหยัด

▶ **หมายเลข 16:** 1. แผ่นจับงาน 2. เส้นผ่านศูนย์กลางของชิ้นงาน 3. แผ่นนำทาง 4. ความกว้างของบล็อกตัวรอง

ชิ้นงานที่ยาวจะต้องรองด้วยบล็อกทั้งสองด้านเพื่อให้ชิ้นงานเสมอกับด้านบนของฐาน ใช้วัสดุไม่ติดไฟเป็นบล็อกรองรับ

▶ **หมายเลข 17:** 1. บล็อกรองรับ

## การยกเครื่องมือ

พับหัวเครื่องมือและล็อกเครื่องมือ จับมือจับขณะถือ

▶ **หมายเลข 18**

## การบำรุงรักษา

**⚠ ข้อควรระวัง:** ตรวจสอบให้แน่ใจว่าได้ปิดสวิตช์เครื่องมือและถอดปลั๊กออกก่อนทำการตรวจสอบหรือบำรุงรักษา

**ข้อสังเกต:** อย่าใช้น้ำมันเชื้อเพลิง เบนซิน ทินเนอร์ แอลกอฮอล์ หรือวัสดุประเภทเดียวกัน เนื่องจากอาจทำให้สีซีดจาง เสียวรูป หรือแตกกร้าวได้

## การเปลี่ยนแปรงคาร์บอน

▶ **หมายเลข 19:** 1. ซีตจำกัด

ตรวจสอบแปรงคาร์บอนเป็นประจำ  
เปลี่ยนแปรงคาร์บอนเมื่อสึกหรอจนถึงซีตจำกัด รักษาแปรงคาร์บอนให้สะอาด และอย่าให้แปรงคาร์บอนหลุดเข้าไปในที่ยึด ควรเปลี่ยนแปรงคาร์บอนทั้งสองแปรงพร้อมกัน ใช้แปรงคาร์บอนแบบเดียวกันเท่านั้น

1. ใช้ไขควงเพื่อถอดฝาปิดที่ยึดแปรงออก
2. นำแปรงคาร์บอนที่สึกหรอออกมา ใส่แปรงคาร์บอนใหม่เข้าไป และปิดฝาปิดที่ยึดแปรงให้แน่น

▶ **หมายเลข 20:** 1. ฝาปิดที่ยึดแปรง

เพื่อความปลอดภัยและนำเชื้อถือของผลิตภัณฑ์ ควรให้ศูนย์บริการหรือโรงงานที่ผ่านการรับรองจาก Makita เป็นผู้ดำเนินการซ่อมแซม บำรุงรักษาและทำการปรับตั้งอื่นๆ นอกจากนี้ให้ใช้อะไหล่ของแท้จาก Makita เสมอ



**Makita Corporation**  
3-11-8, Sumiyoshi-cho,  
Anjo, Aichi 446-8502 Japan  
[www.makita.com](http://www.makita.com)

885519C375  
EN, ZHCN, ID, MS,  
VI, TH  
20200908