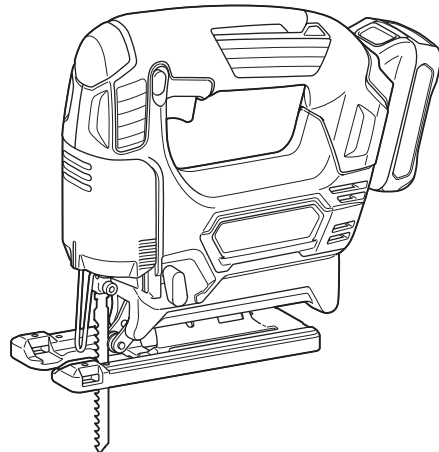




<b>EN</b>	Cordless Jig Saw	<b>INSTRUCTION MANUAL</b>	<b>5</b>
<b>ZHCN</b>	充电式曲线锯	使用说明书	<b>13</b>
<b>ID</b>	Gergaji Jig Tanpa Kabel	<b>PETUNJUK PENGGUNAAN</b>	<b>21</b>
<b>MS</b>	Gergaji Jig Tanpa Kord	<b>MANUAL ARAHAN</b>	<b>29</b>
<b>VI</b>	Máy Cưa Lọng Cầm Tay Hoạt Động Bằng Pin	<b>TÀI LIỆU HƯỚNG DẪN</b>	<b>37</b>
<b>TH</b>	เลื่อยฉลุไร้สาย	คู่มือการใช้งาน	<b>45</b>

## JV101D



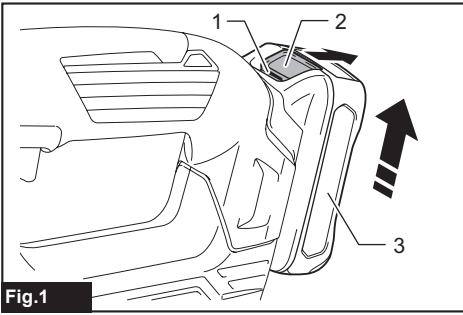


Fig.1

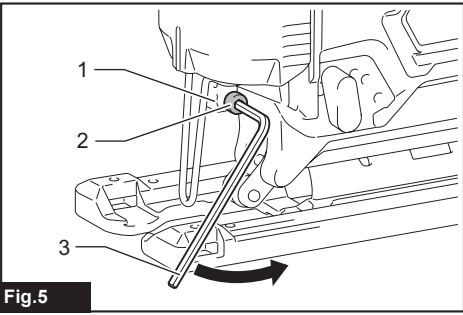


Fig.5

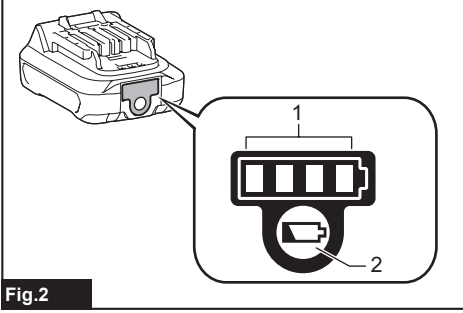


Fig.2

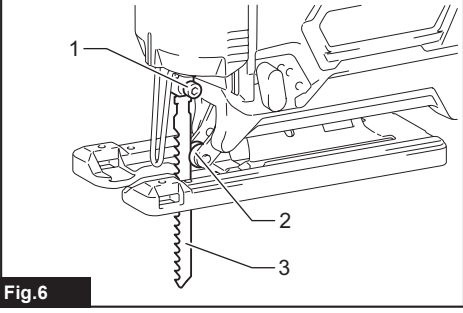


Fig.6

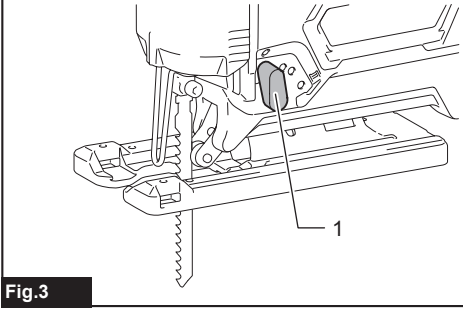


Fig.3

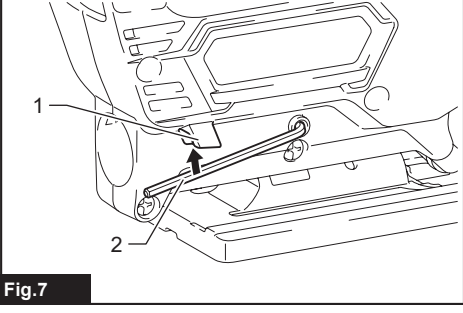


Fig.7

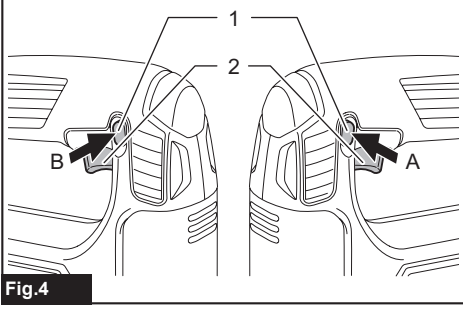


Fig.4

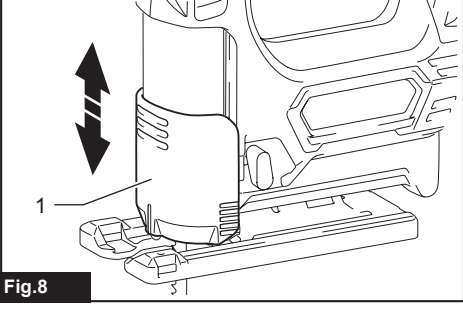
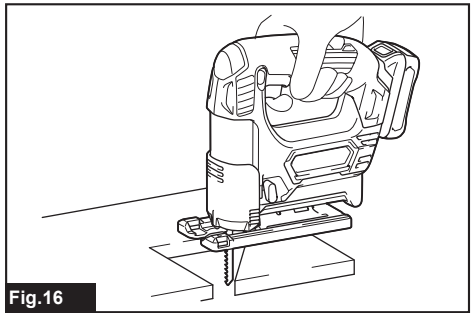
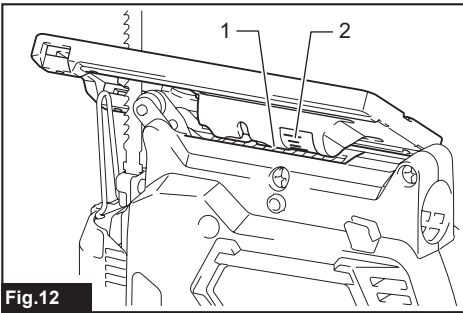
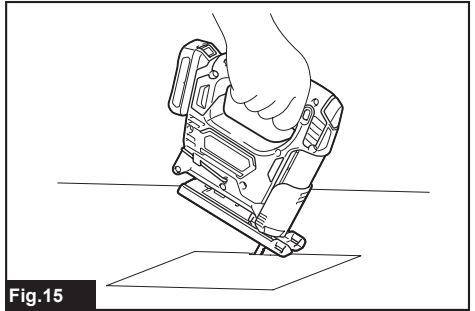
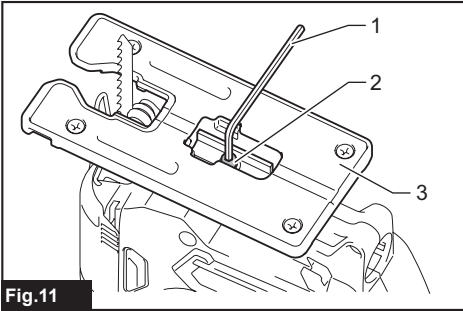
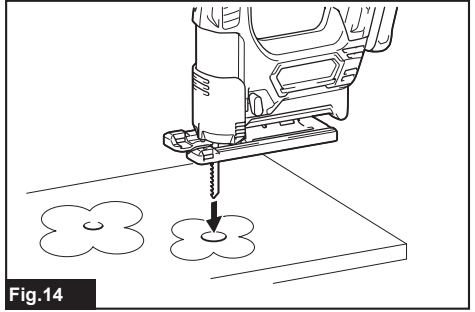
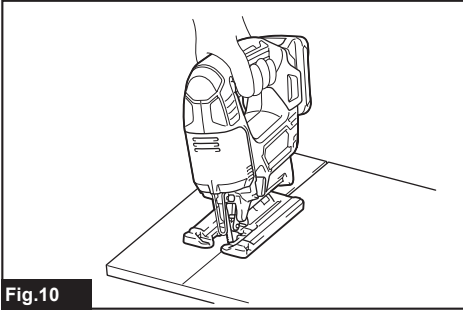
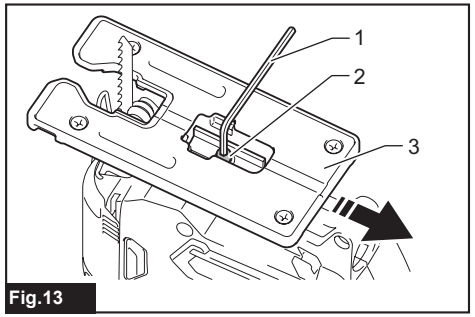
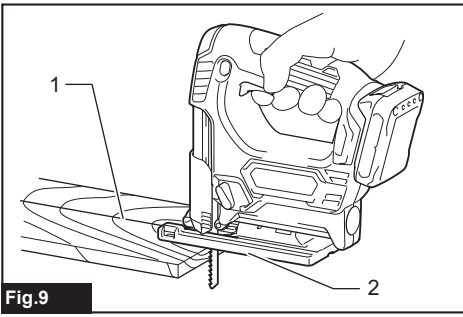


Fig.8



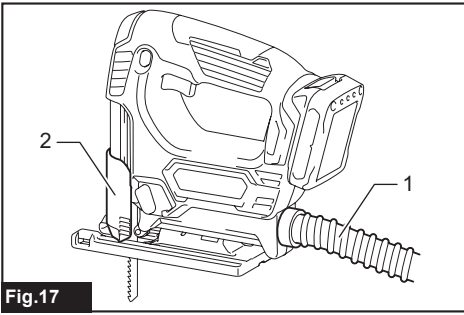


Fig.17

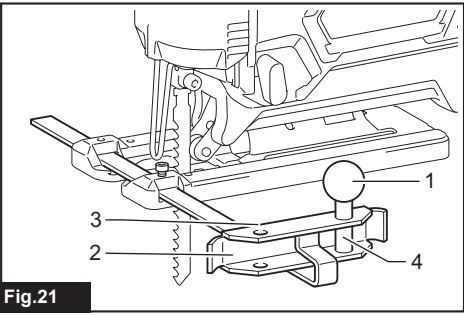


Fig.21

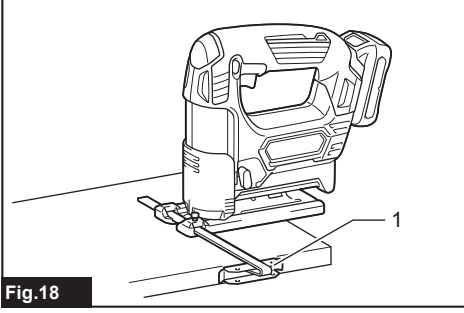


Fig.18

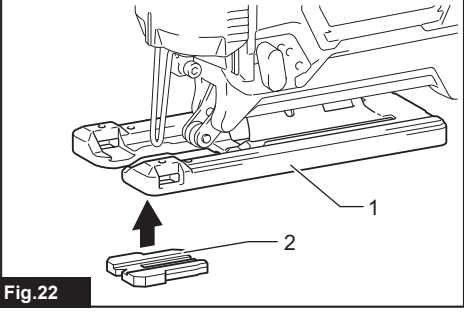


Fig.22

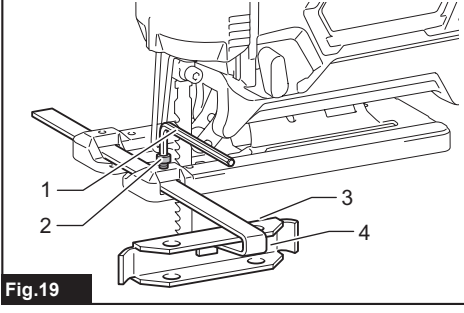


Fig.19

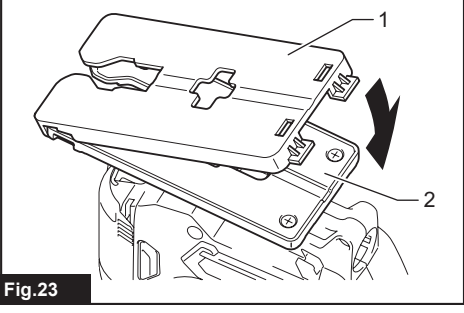


Fig.23

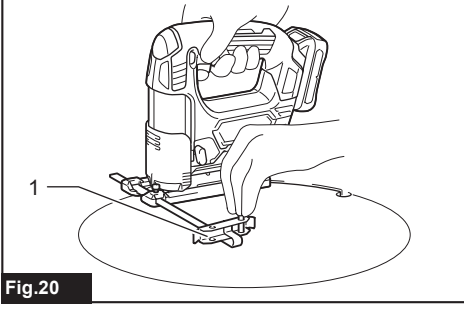


Fig.20

# SPECIFICATIONS

<b>Model:</b>		<b>JV101D</b>
Length of stroke		18 mm
Strokes per minute		0 - 2,900 min <sup>-1</sup>
Blade type		B type
Max. cutting capacities	Wood	65 mm
	Mild steel	2 mm
	Aluminum	4 mm
Rated voltage		D.C. 10.8 V - 12 V max
Overall length (Depending on the battery)		232 - 250 mm
Net weight		1.8 - 1.9 kg

- Due to our continuing program of research and development, the specifications herein are subject to change without notice.
- Specifications may differ from country to country.
- The weight may differ depending on the attachment(s), including the battery cartridge. The lightest and heaviest combination, according to EPTA-Procedure 01/2014, are shown in the table.

## Applicable battery cartridge and charger

Battery cartridge	BL1015 / BL1016 / BL1020B / BL1021B / BL1040B / BL1041B
Charger	DC10SA / DC10SB / DC10WC / DC10WD / DC18RE

- Some of the battery cartridges and chargers listed above may not be available depending on your region of residence.

**⚠ WARNING: Only use the battery cartridges and chargers listed above.** Use of any other battery cartridges and chargers may cause injury and/or fire.

## Symbols

The followings show the symbols which may be used for the equipment. Be sure that you understand their meaning before use.



Read instruction manual.



Only for EU countries  
Do not dispose of electric equipment or battery pack together with household waste material!  
In observance of the European Directives, on Waste Electric and Electronic Equipment and Batteries and Accumulators and Waste Batteries and Accumulators and their implementation in accordance with national laws, electric equipment and batteries and battery pack(s) that have reached the end of their life must be collected separately and returned to an environmentally compatible recycling facility.

## Intended use

The tool is intended for the sawing of wood, plastic and metal materials. As a result of the extensive accessory and saw blade program, the tool can be used for many purposes and is very well suited for curved or circular cuts.

## General power tool safety warnings

**⚠ WARNING: Read all safety warnings, instructions, illustrations and specifications provided with this power tool.** Failure to follow all instructions listed below may result in electric shock, fire and/or serious injury.

## Save all warnings and instructions for future reference.

The term "power tool" in the warnings refers to your mains-operated (corded) power tool or battery-operated (cordless) power tool.

### Work area safety

1. **Keep work area clean and well lit.** Cluttered or dark areas invite accidents.
2. **Do not operate power tools in explosive atmospheres, such as in the presence of flammable liquids, gases or dust.** Power tools create sparks which may ignite the dust or fumes.
3. **Keep children and bystanders away while operating a power tool.** Distractions can cause you to lose control.

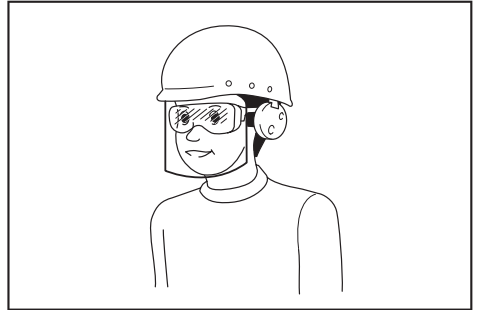
## Electrical safety

1. **Power tool plugs must match the outlet. Never modify the plug in any way. Do not use any adapter plugs with earthed (grounded) power tools.** Unmodified plugs and matching outlets will reduce risk of electric shock.
2. **Avoid body contact with earthed or grounded surfaces, such as pipes, radiators, ranges and refrigerators.** There is an increased risk of electric shock if your body is earthed or grounded.
3. **Do not expose power tools to rain or wet conditions.** Water entering a power tool will increase the risk of electric shock.
4. **Do not abuse the cord. Never use the cord for carrying, pulling or unplugging the power tool. Keep cord away from heat, oil, sharp edges or moving parts.** Damaged or entangled cords increase the risk of electric shock.
5. **When operating a power tool outdoors, use an extension cord suitable for outdoor use.** Use of a cord suitable for outdoor use reduces the risk of electric shock.
6. **If operating a power tool in a damp location is unavoidable, use a residual current device (RCD) protected supply.** Use of an RCD reduces the risk of electric shock.
7. **Power tools can produce electromagnetic fields (EMF) that are not harmful to the user.** However, users of pacemakers and other similar medical devices should contact the maker of their device and/or doctor for advice before operating this power tool.

## Personal safety

1. **Stay alert, watch what you are doing and use common sense when operating a power tool. Do not use a power tool while you are tired or under the influence of drugs, alcohol or medication.** A moment of inattention while operating power tools may result in serious personal injury.
2. **Use personal protective equipment. Always wear eye protection.** Protective equipment such as a dust mask, non-skid safety shoes, hard hat or hearing protection used for appropriate conditions will reduce personal injuries.
3. **Prevent unintentional starting. Ensure the switch is in the off-position before connecting to power source and/or battery pack, picking up or carrying the tool.** Carrying power tools with your finger on the switch or energising power tools that have the switch on invites accidents.
4. **Remove any adjusting key or wrench before turning the power tool on.** A wrench or a key left attached to a rotating part of the power tool may result in personal injury.
5. **Do not overreach. Keep proper footing and balance at all times.** This enables better control of the power tool in unexpected situations.
6. **Dress properly. Do not wear loose clothing or jewellery. Keep your hair and clothing away from moving parts.** Loose clothes, jewellery or long hair can be caught in moving parts.
7. **If devices are provided for the connection of dust extraction and collection facilities, ensure these are connected and properly used.** Use of dust collection can reduce dust-related hazards.

8. **Do not let familiarity gained from frequent use of tools allow you to become complacent and ignore tool safety principles.** A careless action can cause severe injury within a fraction of a second.
9. **Always wear protective goggles to protect your eyes from injury when using power tools.** The goggles must comply with ANSI Z87.1 in the USA, EN 166 in Europe, or AS/NZS 1336 in Australia/New Zealand. In Australia/New Zealand, it is legally required to wear a face shield to protect your face, too.



It is an employer's responsibility to enforce the use of appropriate safety protective equipments by the tool operators and by other persons in the immediate working area.

## Power tool use and care

1. **Do not force the power tool. Use the correct power tool for your application.** The correct power tool will do the job better and safer at the rate for which it was designed.
2. **Do not use the power tool if the switch does not turn it on and off.** Any power tool that cannot be controlled with the switch is dangerous and must be repaired.
3. **Disconnect the plug from the power source and/or remove the battery pack, if detachable, from the power tool before making any adjustments, changing accessories, or storing power tools.** Such preventive safety measures reduce the risk of starting the power tool accidentally.
4. **Store idle power tools out of the reach of children and do not allow persons unfamiliar with the power tool or these instructions to operate the power tool.** Power tools are dangerous in the hands of untrained users.
5. **Maintain power tools and accessories. Check for misalignment or binding of moving parts, breakage of parts and any other condition that may affect the power tool's operation. If damaged, have the power tool repaired before use.** Many accidents are caused by poorly maintained power tools.
6. **Keep cutting tools sharp and clean.** Properly maintained cutting tools with sharp cutting edges are less likely to bind and are easier to control.

7. **Use the power tool, accessories and tool bits etc. in accordance with these instructions, taking into account the working conditions and the work to be performed.** Use of the power tool for operations different from those intended could result in a hazardous situation.
8. **Keep handles and grasping surfaces dry, clean and free from oil and grease.** Slippery handles and grasping surfaces do not allow for safe handling and control of the tool in unexpected situations.
9. **When using the tool, do not wear cloth work gloves which may be entangled.** The entanglement of cloth work gloves in the moving parts may result in personal injury.

#### Battery tool use and care

1. **Recharge only with the charger specified by the manufacturer.** A charger that is suitable for one type of battery pack may create a risk of fire when used with another battery pack.
2. **Use power tools only with specifically designated battery packs.** Use of any other battery packs may create a risk of injury and fire.
3. **When battery pack is not in use, keep it away from other metal objects, like paper clips, coins, keys, nails, screws or other small metal objects, that can make a connection from one terminal to another.** Shorting the battery terminals together may cause burns or a fire.
4. **Under abusive conditions, liquid may be ejected from the battery; avoid contact. If contact accidentally occurs, flush with water. If liquid contacts eyes, additionally seek medical help.** Liquid ejected from the battery may cause irritation or burns.
5. **Do not use a battery pack or tool that is damaged or modified.** Damaged or modified batteries may exhibit unpredictable behaviour resulting in fire, explosion or risk of injury.
6. **Do not expose a battery pack or tool to fire or excessive temperature.** Exposure to fire or temperature above 130 °C may cause explosion.
7. **Follow all charging instructions and do not charge the battery pack or tool outside the temperature range specified in the instructions.** Charging improperly or at temperatures outside the specified range may damage the battery and increase the risk of fire.

#### Service

1. **Have your power tool serviced by a qualified repair person using only identical replacement parts.** This will ensure that the safety of the power tool is maintained.
2. **Never service damaged battery packs.** Service of battery packs should only be performed by the manufacturer or authorized service providers.
3. **Follow instruction for lubricating and changing accessories.**

## Cordless jig saw safety warnings

1. **Hold the power tool by insulated gripping surfaces, when performing an operation where the cutting accessory may contact hidden wiring.** Cutting accessory contacting a "live" wire may make exposed metal parts of the power tool "live" and could give the operator an electric shock.
2. **Use clamps or another practical way to secure and support the workpiece to a stable platform.** Holding the workpiece by hand or against your body leaves it unstable and may lead to loss of control.
3. **Always use safety glasses or goggles.** Ordinary eye or sun glasses are NOT safety glasses.
4. **Avoid cutting nails.** Inspect workpiece for any nails and remove them before operation.
5. **Do not cut oversize workpiece.**
6. **Check for the proper clearance beyond the workpiece before cutting so that the blade will not strike the floor, workbench, etc.**
7. **Hold the tool firmly.**
8. **Make sure the blade is not contacting the workpiece before the switch is turned on.**
9. **Keep hands away from moving parts.**
10. **Do not leave the tool running.** Operate the tool only when hand-held.
11. **Always switch off and wait for the blade to come to a complete stop before removing the blade from the workpiece.**
12. **Do not touch the blade or the workpiece immediately after operation; they may be extremely hot and could burn your skin.**
13. **Do not operate the tool at no-load unnecessarily.**
14. **Some material contains chemicals which may be toxic.** Take caution to prevent dust inhalation and skin contact. Follow material supplier safety data.
15. **Always use the correct dust mask/respirator for the material and application you are working with.**

## SAVE THESE INSTRUCTIONS.

**⚠WARNING:** DO NOT let comfort or familiarity with product (gained from repeated use) replace strict adherence to safety rules for the subject product. MISUSE or failure to follow the safety rules stated in this instruction manual may cause serious personal injury.

## Important safety instructions for battery cartridge

1. **Before using battery cartridge, read all instructions and cautionary markings on (1) battery charger, (2) battery, and (3) product using battery.**
2. **Do not disassemble or tamper with the battery cartridge.** It may result in a fire, excessive heat, or explosion.

3. If operating time has become excessively shorter, stop operating immediately. It may result in a risk of overheating, possible burns and even an explosion.
4. If electrolyte gets into your eyes, rinse them out with clear water and seek medical attention right away. It may result in loss of your eyesight.
5. Do not short the battery cartridge:
  - (1) Do not touch the terminals with any conductive material.
  - (2) Avoid storing battery cartridge in a container with other metal objects such as nails, coins, etc.
  - (3) Do not expose battery cartridge to water or rain.

A battery short can cause a large current flow, overheating, possible burns and even a breakdown.

6. Do not store and use the tool and battery cartridge in locations where the temperature may reach or exceed 50 °C (122 °F).
7. Do not incinerate the battery cartridge even if it is severely damaged or is completely worn out. The battery cartridge can explode in a fire.
8. Do not nail, cut, crush, throw, drop the battery cartridge, or hit against a hard object to the battery cartridge. Such conduct may result in a fire, excessive heat, or explosion.
9. Do not use a damaged battery.
10. The contained lithium-ion batteries are subject to the Dangerous Goods Legislation requirements.

For commercial transports e.g. by third parties, forwarding agents, special requirement on packaging and labeling must be observed.

For preparation of the item being shipped, consulting an expert for hazardous material is required. Please also observe possibly more detailed national regulations.

Tape or mask off open contacts and pack up the battery in such a manner that it cannot move around in the packaging.

11. When disposing the battery cartridge, remove it from the tool and dispose of it in a safe place. Follow your local regulations relating to disposal of battery.
12. Use the batteries only with the products specified by Makita. Installing the batteries to non-compliant products may result in a fire, excessive heat, explosion, or leak of electrolyte.
13. If the tool is not used for a long period of time, the battery must be removed from the tool.
14. During and after use, the battery cartridge may take on heat which can cause burns or low temperature burns. Pay attention to the handling of hot battery cartridges.
15. Do not touch the terminal of the tool immediately after use as it may get hot enough to cause burns.
16. Do not allow chips, dust, or soil stuck into the terminals, holes, and grooves of the battery cartridge. It may result in poor performance or breakdown of the tool or battery cartridge.

17. Unless the tool supports the use near high-voltage electrical power lines, do not use the battery cartridge near high-voltage electrical power lines. It may result in a malfunction or breakdown of the tool or battery cartridge.
18. Keep the battery away from children.

## SAVE THESE INSTRUCTIONS.

**CAUTION:** Only use genuine Makita batteries. Use of non-genuine Makita batteries, or batteries that have been altered, may result in the battery bursting causing fires, personal injury and damage. It will also void the Makita warranty for the Makita tool and charger.

## Tips for maintaining maximum battery life

1. Charge the battery cartridge before completely discharged. Always stop tool operation and charge the battery cartridge when you notice less tool power.
2. Never recharge a fully charged battery cartridge. Overcharging shortens the battery service life.
3. Charge the battery cartridge with room temperature at 10 °C - 40 °C (50 °F - 104 °F). Let a hot battery cartridge cool down before charging it.
4. When not using the battery cartridge, remove it from the tool or the charger.

## FUNCTIONAL DESCRIPTION

**CAUTION:** Always be sure that the tool is switched off and the battery cartridge is removed before adjusting or checking function on the tool.

## Installing or removing battery cartridge

**CAUTION:** Always switch off the tool before installing or removing of the battery cartridge.

**CAUTION:** Hold the tool and the battery cartridge firmly when installing or removing battery cartridge. Failure to hold the tool and the battery cartridge firmly may cause them to slip off your hands and result in damage to the tool and battery cartridge and a personal injury.

► Fig.1: 1. Red indicator 2. Button 3. Battery cartridge

To remove the battery cartridge, slide it from the tool while sliding the button on the front of the cartridge.

To install the battery cartridge, align the tongue on the battery cartridge with the groove in the housing and slip it into place. Insert it all the way until it locks in place with a little click. If you can see the red indicator on the upper side of the button, it is not locked completely.



**⚠ CAUTION:** Always install the battery cartridge fully until the red indicator cannot be seen. If not, it may accidentally fall out of the tool, causing injury to you or someone around you.

**⚠ CAUTION:** Do not install the battery cartridge forcibly. If the cartridge does not slide in easily, it is not being inserted correctly.

## Battery protection system

The tool is equipped with a battery protection system. This system automatically cuts off power to the motor to extend battery life.

The tool will automatically stop during operation if the tool and/or battery are placed under one of the following conditions:

### Overloaded:

The tool is operated in a manner that causes it to draw an abnormally high current. In this situation, turn the tool off and stop the application that caused the tool to become overloaded. Then turn the tool on to restart.

If the tool does not start, the battery is overheated. In this situation, let the battery cool before turning the tool on again.

### Low battery voltage:

The remaining battery capacity is too low and the tool will not operate. If you turn the tool on, the motor runs again but stops soon. In this situation, remove and recharge the battery.

## Indicating the remaining battery capacity

*Only for battery cartridges with the indicator*

► Fig.2: 1. Indicator lamps 2. Check button

Press the check button on the battery cartridge to indicate the remaining battery capacity. The indicator lamps light up for a few seconds.

Indicator lamps		Remaining capacity
Lighted	Off	
■ ■ ■ ■	□	75% to 100%
■ ■ ■ □	□	50% to 75%
■ ■ □ □	□ □	25% to 50%
■ □ □ □	□ □ □ □	0% to 25%

**NOTE:** Depending on the conditions of use and the ambient temperature, the indication may differ slightly from the actual capacity.

## Selecting the cutting action

► Fig.3: 1. Cutting action changing lever

This tool can be operated with an orbital or a straight line (up and down) cutting action. The orbital cutting action thrusts the jig saw blade forward on the cutting stroke and greatly increases cutting speed.

To change the cutting action, just turn the cutting action changing lever to the desired cutting action position. Refer to the table to select the appropriate cutting action.

Position	Cutting action	Applications
0	Straight line cutting action	For cutting mild steel, stainless steel and plastics. For clean cuts in wood and plywood.
I	Small orbit cutting action	For cutting mild steel, aluminum and hard wood.
II	Medium orbit cutting action	For cutting wood and plywood. For fast cutting in aluminum and mild steel.
III	Large orbit cutting action	For fast cutting in wood and plywood.

## Switch action

**⚠ CAUTION:** Before installing the battery cartridge into the tool, always check to see that the switch trigger actuates properly and returns to the "OFF" position when released.

**⚠ CAUTION:** When not operating the tool, depress the lock-off button from A side to lock the switch trigger in the OFF position.

► Fig.4: 1. Lock-off button 2. Switch trigger

To prevent the switch trigger from accidentally pulled, the lock-off button is provided.

To start the tool, depress the lock-off button from B side and pull the switch trigger.

Tool speed is increased by increasing pressure on the switch trigger. Release the switch trigger to stop. After use, always press in the lock-off button from A side.

## ASSEMBLY

**⚠ CAUTION:** Always be sure that the tool is switched off and the battery cartridge is removed before carrying out any work on the tool.

### Installing or removing jig saw blade

**⚠ CAUTION:** Always clean out all chips or foreign matter adhering to the jig saw blade and/or blade holder. Failure to do so may cause insufficient tightening of the blade, resulting in a serious personal injury.

**⚠ CAUTION:** Do not touch the jig saw blade or the workpiece immediately after operation. They may be extremely hot and could burn your skin.

**⚠ CAUTION:** Always secure the jig saw blade firmly. Insufficient tightening of the blade may cause blade breakage or serious personal injury.

**⚠ CAUTION:** Use only B type jig saw blades. Using blades other than B type causes insufficient tightening of the blade, resulting in a serious personal injury.

To install the jig saw blade, loosen the bolt counter-clockwise on the jig saw blade holder with the hex wrench.

► **Fig.5:** 1. Jig saw blade holder 2. Bolt 3. Hex wrench

With the blade teeth facing forward, insert the jig saw blade into the jig saw blade holder as far as it will go. Make sure that the back edge of the blade fits into the roller. Then tighten the bolt clockwise to secure the blade.

► **Fig.6:** 1. Bolt 2. Roller 3. Jig saw blade

To remove the jig saw blade, follow the installation procedure in reverse.

**NOTE:** Occasionally lubricate the roller.

### Hex wrench storage

► **Fig.7:** 1. Hook 2. Hex wrench

When not in use, store the hex wrench as shown in the figure to keep it from being lost. First, insert the hex wrench into the hole. Then push it into the hook until it locked.

### Dust cover

**⚠ CAUTION:** Always wear safety goggles even when operating the tool with the dust cover lowered.

Lower the dust cover to prevent chips from flying. However, when making bevel cuts, raise it all the way.

► **Fig.8:** 1. Dust cover

## OPERATION

**⚠ CAUTION:** Always hold the base flush with the workpiece. Failure to do so may cause jig saw blade breakage, resulting in a serious injury.

**⚠ CAUTION:** Advance the tool very slowly when cutting curves or scrolling. Forcing the tool may cause a slanted cutting surface and jig saw blade breakage.

► **Fig.9:** 1. Cutting line 2. Base

Turn the tool on without the jig saw blade making any contact and wait until the blade attains full speed. Then rest the base flat on the workpiece and gently move the tool forward along the previously marked cutting line.

### Bevel cutting

**⚠ CAUTION:** Always be sure that the tool is switched off and the battery cartridge is removed before tilting the base.

**⚠ CAUTION:** Raise the dust cover all the way before making bevel cuts.

With the base tilted, you can make bevel cuts at any angle between 0° and 45° (left or right).

► **Fig.10**

Loosen the bolt on the back of the base with the hex wrench. Move the base so that the bolt is positioned in the center of the cross-shaped slot in the base.

► **Fig.11:** 1. Hex wrench 2. Bolt 3. Base

Tilt the base until the desired bevel angle is obtained. The edge of the motor housing indicates the bevel angle by graduations. Then tighten the bolt to secure the base.

► **Fig.12:** 1. Edge 2. Graduation

### Front flush cuts

► **Fig.13:** 1. Hex wrench 2. Bolt 3. Base

Loosen the bolt on the back of the base with the hex wrench and slide the base all the way back. Then tighten the bolt to secure the base.

### Cutouts

Cutouts can be made with either of two methods "Boring a starting hole" or "Plunge cutting".

#### Boring a starting hole

► **Fig.14**

For internal cutouts without a lead-in cut from an edge, pre-drill a starting hole 12 mm or more in diameter. Insert the jig saw blade into this hole to start your cut.

## Plunge cutting

### ► Fig.15

You need not bore a starting hole or make a lead-in cut if you carefully do as follows.

1. Tilt the tool up on the front edge of the base with the jig saw blade point positioned just above the workpiece surface.
2. Apply pressure to the tool so that the front edge of the base will not move when you switch on the tool and gently lower the back end of the tool slowly.
3. As the jig saw blade pierces the workpiece, slowly lower the base of the tool down onto the workpiece surface.
4. Complete the cut in the normal manner.

## Finishing edges

### ► Fig.16

To trim edges or make dimensional adjustments, run the jig saw blade lightly along the cut edges.

## Metal cutting

Always use a suitable coolant (cutting oil) when cutting metal. Failure to do so will cause significant jig saw blade wear. The underside of the workpiece can be greased instead of using a coolant.

## Dust extraction

### ► Fig.17: 1. Hose (optional accessory) 2. Dust cover

Clean cutting operations can be performed by connecting this tool to a Makita vacuum cleaner. Insert the hose of the vacuum cleaner into the hole at the rear of the tool. Lower the dust cover before operation.

**NOTE:** Dust extraction cannot be performed when making bevel cuts.

## Rip fence

### Optional accessory

**CAUTION:** Always be sure that the tool is switched off and the battery cartridge is removed before installing or removing accessories.

## Straight cuts

When repeatedly cutting widths of 160 mm or less, use of the rip fence will assure fast, clean, straight cuts.

### ► Fig.18: 1. Rip fence (Guide rule)

To install, insert the rip fence into the rectangular hole on the side of the base with the fence guide facing down. Slide the rip fence to the desired cutting width position, then tighten the bolt to secure it.

### ► Fig.19: 1. Hex wrench 2. Bolt 3. Fence guide 4. Rip fence (Guide rule)

## Circular cuts

When cutting circles or arcs of 170 mm or less in radius, install the rip fence as follows.

### ► Fig.20: 1. Rip fence (Guide rule)

1. Insert the rip fence into the rectangular hole on the side of the base with the fence guide facing up.

2. Insert the circular guide pin through either of the two holes on the fence guide. Screw the threaded knob onto the pin to secure the pin.

### ► Fig.21: 1. Threaded knob 2. Fence guide 3. Rip fence (Guide rule) 4. Pin

3. Slide the rip fence to the desired cutting radius, and tighten the bolt to secure it in place. Then move the base all the way forward.

**NOTE:** Always use jig saw blades No. B-17, B-18, B-26 or B-27 when cutting circles or arcs.

## Anti-splintering device

### Optional accessory, only for aluminum base model

**CAUTION:** The anti-splintering device cannot be used when making bevel cuts.

### ► Fig.22: 1. Base 2. Anti-splintering device

For splinter-free cuts, the anti-splintering device can be used. To install the anti-splintering device, move the tool base all the way forward and fit it from the back of tool base.

When you use the cover plate, install the anti-splintering device onto the cover plate.

## Cover plate

### Optional accessory, only for aluminum base model

### ► Fig.23: 1. Cover plate 2. Base

Use the cover plate when cutting decorative veneers, plastics, etc. It protects sensitive or delicate surfaces from damage. Fit it on the back of the tool base.

## MAINTENANCE

**CAUTION:** Always be sure that the tool is switched off and the battery cartridge is removed before attempting to perform inspection or maintenance.

**NOTICE:** Never use gasoline, benzine, thinner, alcohol or the like. Discoloration, deformation or cracks may result.

To maintain product SAFETY and RELIABILITY, repairs, any other maintenance or adjustment should be performed by Makita Authorized or Factory Service Centers, always using Makita replacement parts.

# OPTIONAL ACCESSORIES

**⚠ CAUTION:** These accessories or attachments are recommended for use with your Makita tool specified in this manual. The use of any other accessories or attachments might present a risk of injury to persons. Only use accessory or attachment for its stated purpose.

If you need any assistance for more details regarding these accessories, ask your local Makita Service Center.

- Jig saw blades
- Hex wrench 3
- Rip fence (guide rule) set
- Anti-splintering device
- Hose (For vacuum cleaner)
- Cover plate
- Makita genuine battery and charger

**NOTE:** Some items in the list may be included in the tool package as standard accessories. They may differ from country to country.

## 规格

型号:	<b>JV101D</b>	
冲程长度	18 mm	
冲程速度	0 - 2,900/min	
锯片类型	B 型	
最大切割能力	木材	65 mm
	软钢	2 mm
	铝	4 mm
额定电压	D.C. 10.8 V - 12 V (最大)	
长度 (因电池而异)	232 - 250 mm	
净重	1.8 - 1.9 kg	

- 生产者保留变更规格不另行通知之权利。
- 规格可能因销往国家之不同而异。
- 重量因附件 (包括电池组) 而异。根据 EPTA-Procedure 01/2014, 最重与最轻的组合见表格。

## 适用电池组和充电器

电池组	BL1015 / BL1016 / BL1020B / BL1021B / BL1040B / BL1041B
充电器	DC10SA / DC10SB / DC10WC / DC10WD / DC18RE

- 部分以上所列电池组和充电器是否适用视用户所在地区而异。

**警告：** 请仅使用以上所列电池组和充电器。使用其他类型的电池组或充电器可能会导致人身伤害和 / 或失火。

## 符号

以下显示本设备可能会使用的符号。在使用工具之前, 请务必理解其含义。



阅读使用说明书。



仅限于欧盟国家  
请勿将电气设备或电池组与家庭普通废弃物一同丢弃！  
请务必遵守欧洲关于废弃电子电气设备、电池和蓄电池以及废弃电池和蓄电池的指令并根据法律法规执行。达到使用寿命的电气设备和电池组必须分类回收至符合环境保护规定的再循环机构。

## 用途

本工具可锯木材、塑料及金属材料。如果与各类附件及锯片结合使用，本工具可以用于各种用途，尤其适合曲线或圆形切割。

## 电动工具通用安全警告

**警告：** 阅读随电动工具提供的所有安全警告、说明、图示和规定。不遵照以下所列说明会导致电击、着火和 / 或严重伤害。

## 保存所有警告和说明书以备查阅。

警告中的术语“电动工具”是指市电驱动（有线）电动工具或电池驱动（无线）电动工具。

### 工作场地的安全

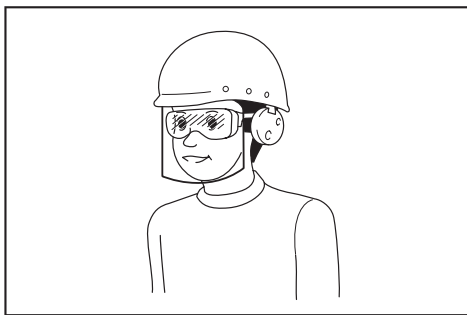
1. 保持工作场地清洁和明亮。杂乱和黑暗的场地会引发事故。
2. 不要在易爆环境，如有易燃液体、气体或粉尘的环境下操作电动工具。电动工具产生的火花会点燃粉尘或气体。
3. 操作电动工具时，远离儿童和旁观者。注意力不集中会使你失去对工具的控制。

### 电气安全

1. 电动工具插头必须与插座相配。绝不能以任何方式改装插头。需接地的电动工具不能使用任何转换插头。未经改装的插头和相配的插座将降低电击风险。
2. 避免人体接触接地表面，如管道、散热片和冰箱。如果你身体接触接地表面会增加电击风险。
3. 不得将电动工具暴露在雨中或潮湿环境中。水进入电动工具将增加电击风险。
4. 不得滥用软线。绝不能用软线搬运、拉动电动工具或拔出其插头。使软线远离热源、油、锐边或运动部件。受损或缠绕的软线会增加电击风险。
5. 当在户外使用电动工具时，使用适合户外使用的延长线。适合户外使用的电线将降低电击风险。
6. 如果无法避免在潮湿环境中操作电动工具，应使用带有剩余电流装置（RCD）保护的电源。RCD的使用可降低电击风险。
7. 电动工具会产生对用户无害的电磁场（EMF）。但是，起搏器和其他类似医疗设备的用户应在操作本电动工具前咨询其设备的制造商和 / 或医生寻求建议。

## 人身安全

1. 保持警觉，当操作电动工具时关注所从事的操作并保持清醒。当你感到疲倦，或在有药物、酒精或治疗反应时，不要操作电动工具。在操作电动工具时瞬间的疏忽会导致严重人身伤害。
2. 使用个人防护装置。始终佩戴护目镜。防护装置，诸如适当条件下使用防尘面具、防滑安全鞋、安全帽、听力防护等装置能减少人身伤害。
3. 防止意外启动。在连接电源和 / 或电池包、拿起或搬运工具前确保开关处于关闭位置。手指放在开关上搬运工具或开关处于接通时通电会导致危险。
4. 在电动工具接通之前，拿掉所有调节钥匙或扳手。遗留在电动工具旋转零件上的扳手或钥匙会导致人身伤害。
5. 手不要过分伸展。时刻注意立足点和身体平衡。这样能在意外情况下能更好地控制住电动工具。
6. 着装适当。不要穿宽松衣服或佩戴饰品。让你的头发和衣服远离运动部件。宽松衣服、佩饰或长发可能会卷入运动部件。
7. 如果提供了与排屑、集尘设备连接用的装置，要确保其连接完好且使用得当。使用集尘装置可降低尘屑引起的危险。
8. 不要因为频繁使用工具而产生的熟悉感而掉以轻心，忽视工具的安全准则。某个粗心的动作可能在瞬间导致严重的伤害。
9. 使用电动工具时请始终佩戴护目镜以免伤害眼睛。护目镜须符合美国 ANSI Z87.1、欧洲 EN 166 或者澳大利亚 / 新西兰的 AS/NZS 1336 的规定。在澳大利亚 / 新西兰，法律要求佩戴面罩保护脸部。



雇主有责任监督工具操作者和其他近工作区域人员佩戴合适的安全防护设备。

## 电动工具使用和注意事项

1. 不要勉强使用电动工具，根据用途使用合适的电动工具。选用合适的按照额定值设计的电动工具会使你工作更有效、更安全。
2. 如果开关不能接通或关断电源，则不能使用该电动工具。不能通过开关来控制电动工具是危险的且必须进行修理。
3. 在进行任何调节、更换附件或贮存电动工具之前，必须从电源上拔掉插头和/或卸下电池包（如可拆卸）。这种防护性的安全措施降低了电动工具意外起动的风险。
4. 将闲置不用的电动工具贮存在儿童所及范围之外，并且不允许不熟悉电动工具和不了解这些说明的人操作电动工具。电动工具在未经培训的使用者手中是危险的。
5. 维护电动工具及其附件。检查运动部件是否调整到位或卡住，检查零件破损情况和影响电动工具运行的其他状况。如有损坏，应在使用前修理好电动工具。许多事故是由维护不良的电动工具引发的。
6. 保持切削刀具锋利和清洁。维护良好地有锋利切削刃的刀具不易卡住而且容易控制。
7. 按照使用说明书，并考虑作业条件和要进行的作业来选择电动工具、附件和工具的刀头等。将电动工具用于那些与其用途不符的操作可能会导致危险情况。
8. 保持手柄和握持表面干燥、清洁，不得沾有油脂。在意外的情况下，湿滑的手柄不能保证握持的安全和对工具的控制。
9. 使用本工具时，请勿佩戴可能会缠结的布质工作手套。布质工作手套卷入移动部件可能会造成人身伤害。

## 电池式工具使用和注意事项

1. 仅使用生产者规定的充电器充电。将适用于某种电池包的充电器用到其他电池包时可能会发生着火危险。
2. 仅使用配有专用电池包的电动工具。使用其他电池包可能会产生伤害和着火危险。
3. 当电池包不用时，将它远离其他金属物体，例如回形针、硬币、钥匙、钉子、螺钉或其他小金属物体，以防电池包一端与另一端连接。电池组端部短路可能会引起燃烧或着火。

4. 在滥用条件下，液体可能会从电池组中溅出；应避免接触。如果意外碰到液体，用水冲洗。如果液体碰到了眼睛，还应寻求医疗帮助。从电池中溅出的液体可能会发生腐蚀或燃烧。
5. 不要使用损坏或改装过的电池包或工具。损坏或改装过的电池组可能呈现无法预测的结果，导致着火、爆炸或伤害。
6. 不要将电池包暴露于火或高温中。电池包暴露于火或高于 130 °C 的高温中可能导致爆炸。
7. 遵循所有充电说明。不要在说明书中指定的温度范围之外给电池包或电动工具充电。不正确或在指定的温度范围外充电可能会损坏电池和增加着火的风险。

## 维修

1. 让专业维修人员使用相同的备件维修电动工具。这将保证所维修的电动工具的安全。
2. 决不能维修损坏的电池包。电池包仅能由生产者或其授权的维修服务商进行维修。
3. 上润滑油及更换附件时请遵循本说明书指示。

## 充电式曲线锯使用安全警告

1. 在切削附件可能触及暗线进行操作时，要通过绝缘握持面来握持工具。切削附件碰到带电导线会使工具外露的金属零件带电从而使操作者受到电击。
2. 请使用螺丝钳或其他可行的方式将工件夹紧并固定在稳定的平台上。手持工件或将工件抵在身上，可能会导致工件摆放不稳，使工具失去控制。
3. 请使用安全眼镜或护目镜。普通眼镜或太阳眼镜并非安全眼镜。
4. 注意不要切割到铁钉。操作前请检查工件上是否有铁钉并将其清除。
5. 请勿切割尺寸过大的工件。
6. 切割作业前请检查确认已在工件周围留出合适的间隙，以免切割时锯片接触到地板或工作台等物体。
7. 请牢握本工具。
8. 打开开关前，请确认锯片未与工件接触。
9. 手应远离移动的部件。
10. 运行中的工具不可离手放置。只可在手握工具的情况下操作工具。
11. 将锯片从工件上取下之前，请务必关闭工具电源并等待锯片完全停止。



12. 操作之后, 请勿立刻触摸锯片或工件, 因为它们可能会非常烫而导致烫伤皮肤。
13. 如无必要, 请勿在空载状态下操作工具。
14. 某些材料含有有毒化学物质。小心不要吸入粉尘, 并避免皮肤接触。遵循材料供应商的安全提示。
15. 根据您操作的材料及应用, 请务必使用正确的防尘面罩 / 呼吸器。

## 请保留此说明书。

**警告:** 请勿为图方便或因对产品足够熟悉 (由于重复使用而获得的经验) 而不严格遵循相关产品安全规则。使用不当或不遵循使用说明书中的安全规则会导致严重的人身伤害。

### 电池组的重要安全注意事项

1. 在使用电池组之前, 请仔细阅读所有的说明以及 (1) 电池充电器, (2) 电池, 以及 (3) 使用电池的产品上的警告标记。
2. 切勿拆卸或改装电池组。否则可能引起火灾、过热或爆炸。
3. 如果机器运行时间变得过长, 请立即停止使用。否则可能会导致过热、起火甚至爆炸。
4. 如果电解液进入您的眼睛, 用清水将其冲洗干净并立即就医。否则可能会导致视力受损。
5. 请勿使电池组短路:
  - (1) 请勿使任何导电材料碰到端子。
  - (2) 避免将电池组与其他金属物品如钉子、硬币等放置在同一容器内。
  - (3) 请勿将电池组置于水中或使其淋雨。电池短路将产生大的电流, 导致过热, 并可能导致起火甚至击穿。
6. 请勿在温度可能达到或超过 50°C (122°F) 的场所存放以及使用工具和电池组。
7. 即使电池组已经严重损坏或完全磨损, 也请勿焚烧电池组。电池组会在火中爆炸。
8. 请勿对电池组射钉, 或者切削、挤压、抛掷、掉落电池组, 又或者用硬物撞击电池组。否则可能引起火灾、过热或爆炸。
9. 请勿使用损坏的电池。

10. 本工具附带的锂离子电池需符合危险品法规要求。  
第三方或转运代理等进行商业运输时, 应遵循包装和标识方面的特殊要求。有关运输项目的准备作业, 咨询危险品方面的专业人士。同时, 请遵守可能更为详尽的国家法规。  
请使用胶带保护且勿遮掩表面的联络信息, 并牢固封装电池, 使电池在包装内不可动。
11. 丢弃电池组时, 需将其从工具上卸下并在安全地带进行处理。关于如何处理废弃的电池, 请遵循当地法规。
12. 仅将电池用于 Makita (牧田) 指定的产品。将电池安装至不兼容的产品会导致起火、过热、爆炸或电解液泄漏。
13. 如长时间未使用工具, 必须将电池从工具内取出。
14. 使用工具期间以及使用工具之后, 电池组温度可能较高易引起灼伤或低温烫伤。处理高温电池组时请小心操作。
15. 在使用工具后请勿立即触碰工具的端子, 否则可能引起灼伤。
16. 避免锯屑、灰尘或泥土卡入电池组的端子、孔口和凹槽内。否则可能导致工具或电池组性能下降或故障。
17. 除非工具支持在高压电源线路附近使用, 否则请勿在高压电源线路附近使用电池组。否则可能导致工具或电池组故障或失常。
18. 确保电池远离儿童。

## 请保留此说明书。

**小心:** 请仅使用 Makita (牧田) 原装电池。使用非 Makita (牧田) 原装电池或经过改装的电池可能会导致电池爆炸, 从而造成火灾、人身伤害或物品受损。同时也会导致牧田工具和充电器的牧田保修服务失效。

### 保持电池最大使用寿命的提示

1. 在电池组电量完全耗尽前及时充电。发现工具电量低时, 请停止工具操作, 并给电池组充电。
2. 请勿对已充满电的电池组重新充电。过度充电将缩短电池的使用寿命。
3. 请在 10 °C - 40 °C (50 °F - 104 °F) 的室温条件下给电池组充电。请在灼热的电池组冷却后再充电。
4. 不使用电池组时, 请将其从工具或充电器上拆除。



## 功能描述

**⚠️小心：** 调节或检查工具功能之前，请务必关闭工具的电源并取出电池组。

## 安装或拆卸电池组

**⚠️小心：** 安装或拆卸电池组之前，请务必关闭工具电源。

**⚠️小心：** 安装或拆卸电池组时请握紧工具和电池组。否则它们可能从您的手中滑落，导致工具和电池组受损，甚至造成人身伤害。

► **图片 1：** 1. 红色指示器 2. 按钮 3. 电池组

拆卸电池组时，按下电池组前侧的按钮，同时将电池组从工具中抽出。

安装电池组时，要将电池组上的舌簧与外罩上的凹槽对齐，然后推滑到位。将其完全插入到位，直到电池组被锁定并发出卡嗒声为止。如果插入后仍能看到按钮上侧的红色指示器，则说明电池组未完全锁紧。

**⚠️小心：** 务必完全装入电池组，直至看不见红色指示器为止。否则，它可能会从工具中意外脱落，从而造成自身或他人受伤。

**⚠️小心：** 请勿强行安装电池组。如果电池组难以插入，可能是插入方法不当。

## 电池保护系统

本工具配备有电池保护系统。该系统可自动切断电机电源以延长电池寿命。作业时，如果工具和 / 或电池处于以下情况时工具将会自动停止运转：

### 过载：

以导致异常高电流的方式操作工具。在这种情况下，请关闭工具并停止导致工具过载的应用操作。然后开启工具重新启动。如果无法启动工具，则说明电池过热。在这种情况下，请待电池冷却后再开启工具。

### 电池电压低：

剩余电池电量过低且工具不运行。如果启动工具，电机会再次运行，但将很快停止。在这种情况下，请取下电池并予以充电。

## 显示电池的剩余电量

### 仅限带指示灯的电池组

► **图片 2：** 1. 指示灯 2. CHECK (查看)按钮  
按电池组上的 CHECK (查看) 按钮可显示电池剩余电量。指示灯将亮起数秒。

指示灯		剩余电量
点亮	熄灭	
■ ■ ■ ■		75% 至 100%
■ ■ ■ □		50% 至 75%
■ ■ □ □		25% 至 50%
■ □ □ □		0% 至 25%

**注：** 在不同的使用条件及环境温度下，指示灯所示电量可能与实际情况略有不同。

## 选择切割操作

► **图片 3：** 1. 切割操作变换杆

本工具可用于轨道或直线（上下）切割操作。轨道切割操作在切削冲程中向前刺入曲线锯锯片，极大地增大了切割速度。

要更改切割操作，只需将切割操作变换杆转至所需切割操作的位置即可。请参阅下表，选择正确的切割操作。

位置	切割操作	应用场合
0	直线切割操作	用于切割软钢、不锈钢和塑料。
		用于木材和夹板的干净切割。
I	小型轨道切割操作	用于切割软钢、铝和硬木。
II	中型轨道切割操作	用于切割木材和夹板。
		用于快速切割铝和软钢。
III	大型轨道切割操作	用于快速切割木材和夹板。

## 开关操作

**⚠️小心：**在将电池组插入工具之前，请务必检查开关扳机是否能扣动自如，松开时能否退回至“OFF”（关闭）位置。

**⚠️小心：**不再操作工具时，从A侧按下锁止按钮，将开关扳机锁定在“OFF”（关）位置。

► **图片 4：** 1. 锁止按钮 2. 开关扳机

为避免使用者不小心扣动开关扳机，本工具采用锁止按钮。

要启动工具时，从B侧按下锁止按钮，然后扣动开关扳机即可。

随着在开关扳机上施加压力的增大，工具速度会提高。松开开关扳机工具即停止。使用之后，请务必从A侧按锁止按钮。

## 装配

**⚠️小心：**对工具进行任何装配操作前，请务必关闭工具电源，并取出电池组。

## 安装或拆卸曲线锯锯片

**⚠️小心：**务必清除全部碎屑以及附着在曲线锯锯片和/或锯片支架上的异物。否则可能会导致锯片紧固不足，导致严重人身伤害。

**⚠️小心：**操作之后，请勿立刻触摸曲线锯锯片或工件。它们可能会非常烫而导致烫伤皮肤。

**⚠️小心：**请务必牢牢固定曲线锯锯片。锯片紧固不足可能会导致锯片破损或严重的人身伤害事故。

**⚠️小心：**仅使用B型曲线锯锯片。使用B型以外的锯片会导致锯片紧固不足，从而导致严重的人身伤害事故。

要安装曲线锯锯片时，请使用六角扳手逆时针拧松曲线锯锯片支架上的螺栓。

► **图片 5：** 1. 曲线锯锯片支架 2. 螺栓 3. 六角扳手

保持锯齿朝前，将曲线锯锯片插入锯片支架，尽量将其推到底。确保锯片后缘进入轱轮。然后再将锯片用六角螺栓拧紧。

► **图片 6：** 1. 螺栓 2. 轱轮 3. 曲线锯锯片

拆卸曲线锯锯片时，请按照与安装相反的步骤进行。

**注：**偶尔润滑一下轱轮。

## 六角扳手的存放

► **图片 7：** 1. 挂钩 2. 六角扳手

不使用时，请如图所示贮存六角扳手以防丢失。

首先，将六角扳手插入孔中。然后将其推入挂钩，直至锁定。

## 防尘罩

**⚠️小心：**请务必佩戴护目镜，即使在调低防尘罩的情况下操作本工具。

调低防尘罩以防止碎屑飞溅。但是，进行斜切割时，请务必调高防尘罩。

► **图片 8：** 1. 防尘罩

## 操作

**⚠️小心：**务必让基座与工件保持平齐。否则可能会导致曲线锯锯片破裂，造成严重人身伤害。

**⚠️小心：**切割曲面或卷轴面时，请非常缓慢地推进工具。对工具过度施力可能会导致倾斜的切割面及曲线锯锯片破损。

► **图片 9：** 1. 切割线 2. 基座

将工具电源打开，勿让曲线锯锯片接触工件，等待其转速达到全速。然后，将工具基座水平地放在工件上，沿着事先画好的切割线向前移动工具。

## 斜切割

**⚠️小心：**在倾斜基座之前，请务必关闭工具电源并取出电池组。

**⚠️小心：**进行斜切割前，请务必调高防尘罩。

基座倾斜后，您可以进行0°到45°角之间任意角度（左边或右边）的斜切割。

► **图片 10**

用六角扳手拧松基座背面的螺栓。移动基座，直到螺栓位于基座上十字形槽的中心位置。

► **图片 11:** 1. 六角扳手 2. 螺栓 3. 基座

倾斜基座直至达到所需的斜切割角度。电机外罩边缘上标有刻度，可测出斜切割角度。然后将基座用螺栓拧紧。

► **图片 12:** 1. 边缘 2. 刻度

## 前平齐切割

► **图片 13:** 1. 六角扳手 2. 螺栓 3. 基座

用六角扳手将基座背面的螺栓拧松，向后将基座推到底。然后将基座用螺栓拧紧。

## 挖切

通过“钻一个起始孔”或“切入式切割”都可以完成挖切操作。

### 钻一个起始孔

► **图片 14**

对于内部挖切，如果在边缘没有切割导入点，可以先钻一个直径 12mm 以上的起始孔。将曲线锯锯片插入孔中，然后开始切割作业。

### 切入式切割

► **图片 15**

如果按照下列方法认真执行，您不需要钻起始孔或准备切割导入点。

1. 将工具基座前端抬起并将曲线锯锯片尖端置于工件表面上方。
2. 紧握工具以确保基座前端在您启动工具并慢慢降低工具后端时不会移动。
3. 慢慢地降下工具基座，在曲线锯锯片穿过工件后，将基座落在工件的表面。
4. 然后以标准方式完成整个切割过程。

## 边缘修整

► **图片 16**

要修整边缘或进行尺寸调整时，沿切边轻轻移动曲线锯锯片。

## 金属切割

切割金属时，请务必使用合适的冷却液（切割油）。否则会导致曲线锯锯片严重磨损。工件的背面可以使用润滑脂代替冷却液。

## 除尘

► **图片 17:** 1. 软管（选购附件） 2. 防尘罩

可将该工具连接至 Makita（牧田）集尘器来执行清洁切割操作。

将集尘器软管插入工具后部的孔中。

操作前，请务必调低防尘罩。

**注：**斜切割时不能执行除尘操作。

## 切锯导板

### 选购附件

**⚠️ 小心：**安装或者取下附件之前，请务必关闭工具电源并取出电池组。

### 直线切割

当重复进行切割宽度为 160 mm 以下的作业时，使用切锯导板可以快速、清洁、笔直地进行切割。

► **图片 18:** 1. 切锯导板（导尺）

将切锯导板安装、插入工具基座侧的矩形孔时使切锯导板导向板正面朝下。将切锯导板滑至所需切割宽度位置，然后用螺栓拧紧。

► **图片 19:** 1. 六角扳手 2. 螺栓 3. 切锯导板导向板 4. 切锯导板（导尺）

### 圆形切割

切割半径为 170 mm 以下的圆或者圆弧时，按以下说明安装切锯导板。

► **图片 20:** 1. 切锯导板（导尺）

1. 将切锯导板插入工具基座侧的矩形孔时使切锯导板导向板正面朝上。

2. 将圆形导销插入切锯导板导向板上的孔（两孔中任意一孔）中。将螺纹旋钮旋入导销以将其固定。

► **图片 21:** 1. 螺纹旋钮 2. 切锯导板导向板 3. 切锯导板（导尺） 4. 销

3. 将切锯导板滑至所需切割半径，拧紧螺栓将其紧固到位。然后将基座向前推到底。

**注：**切割圆形或者圆弧时务必使用编号为 B-17、B-18、B-26 或 B-27 的曲线锯锯片。

## 防裂片设备

选购附件，仅用于铝基座型号

**⚠小心：** 防裂片设备不能用于斜切割。

► **图片 22：** 1. 基座 2. 防裂片设备

如果不希望切割时产生裂片，可使用防裂片设备。安装防裂设备时，将工具基座向前推到底，然后将防裂片设备装在工具基座的背面。如果同时使用盖板的话，就将防裂片设备安装于盖板上。

## 盖板

选购附件，仅用于铝基座型号

► **图片 23：** 1. 盖板 2. 基座

在切割装饰板、塑料等材料时使用盖板，可以保护易损或易碎材料表面在切割过程中免遭破坏。将它装在工具基座的背面。

## 保养

**⚠小心：** 检查或保养工具之前，请务必关闭工具电源并取出电池组。

**注意：** 切勿使用汽油、苯、稀释剂、酒精或类似物品清洁工具。否则可能会导致工具变色、变形或出现裂缝。

为了保证产品的安全与可靠性，维修、任何其他维修保养或调节需由 Makita（牧田）授权的或工厂维修服务中心完成。务必使用 Makita（牧田）的替换部件。

## 选购附件

**⚠小心：** 这些附件或装置专用于本说明书所列的 Makita（牧田）工具。如使用其他厂牌附件或装置，可能导致人身伤害。仅可将附件或装置用于规定目的。

如您需要了解更多关于这些选购附件的信息，请咨询当地的 Makita（牧田）维修服务中心。

- 曲线锯锯片
- 3号六角扳手
- 切锯导板（导尺）装置
- 防裂片设备

- 软管（吸尘器用）
- 盖板
- Makita（牧田）原装电池和充电器

**注：** 本列表中的一些部件可能作为标准配件包含于工具包装内。它们可能因销往国家之不同而异。

## SPESIFIKASI

<b>Model:</b>		<b>JV101D</b>
Panjang tembakan		18 mm
Tembakan per menit		0 - 2.900 min <sup>-1</sup>
Jenis mata pisau		Jenis B
Kapasitas pemotongan maks.	Kayu	65 mm
	Baja lunak	2 mm
	Aluminium	4 mm
Tegangan terukur		D.C. 10,8 V - 12 V maks
Panjang keseluruhan (Bergantung pada baterai)		232 - 250 mm
Berat bersih		1,8 - 1,9 kg

- Karena kesinambungan program penelitian dan pengembangan kami, spesifikasi yang disebutkan di sini dapat berubah tanpa pemberitahuan.
- Spesifikasi dapat berbeda dari satu negara ke negara lainnya.
- Berat alat mungkin berbeda tergantung perangkat tambahan yang dipasang, termasuk kartrid baterai. Kombinasi alat terberat dan teringan, sesuai Prosedur EPTA 01/2014, ditunjukkan pada tabel.

### Kartrid dan pengisi daya baterai yang dapat digunakan

Kartrid baterai	BL1015 / BL1016 / BL1020B / BL1021B / BL1040B / BL1041B
Pengisi daya	DC10SA / DC10SB / DC10WC / DC10WD / DC18RE

- Beberapa kartrid baterai dan pengisi daya yang tercantum di atas mungkin tidak tersedia, tergantung wilayah tempat tinggal Anda.

**⚠️ PERINGATAN:** Hanya gunakan kartrid dan pengisi daya baterai yang tercantum di atas. Penggunaan kartrid dan pengisi daya baterai lain dapat menimbulkan risiko cedera dan/atau kebakaran.

### Simbol

Berikut ini adalah simbol-simbol yang dapat digunakan pada peralatan ini. Pastikan Anda memahami arti masing-masing simbol sebelum menggunakan peralatan.



Baca petunjuk penggunaan.



Ni-MH  
Li-ion

Hanya untuk negara-negara UE  
Jangan membuang peralatan listrik atau paket baterai bersama-sama dengan bahan limbah rumah tangga!  
Dengan memerhatikan Petunjuk Eropa, tentang Limbah Peralatan Listrik dan Elektronik serta Baterai dan Akumulator dan pelaksanaannya sesuai dengan ketentuan hukum nasional, peralatan listrik dan baterai dan paket baterai yang telah habis umur pakainya harus dikumpulkan secara terpisah dan dikembalikan ke fasilitas daur ulang yang kompatibel secara lingkungan.

### Penggunaan

Mesin ini digunakan untuk menggergaji kayu, plastik dan bahan logam. Sebagai hasil dari aksesoris tambahan dan program mata pisau gergaji, mesin dapat digunakan untuk banyak tujuan dan sangat sesuai untuk potongan lengkung atau lingkaran.

### Peringatan keselamatan umum mesin listrik

**⚠️ PERINGATAN:** Bacalah semua peringatan keselamatan, petunjuk, ilustrasi dan spesifikasi yang disertakan bersama mesin listrik ini. Kelalaian untuk mematuhi semua petunjuk yang tercantum di bawah ini dapat menyebabkan sengatan listrik, kebakaran dan/atau cedera serius.

### Simpanlah semua peringatan dan petunjuk untuk acuan di masa depan.

Istilah "mesin listrik" dalam semua peringatan mengacu pada mesin listrik yang dijalankan dengan sumber listrik jala-jala (berkabel) atau baterai (tanpa kabel).

## Keselamatan tempat kerja

1. **Jaga tempat kerja selalu bersih dan berpenerangan cukup.** Tempat kerja yang berantakan dan gelap mengundang kecelakaan.
2. **Jangan gunakan mesin listrik dalam lingkungan yang mudah meledak, misalnya jika ada cairan, gas, atau debu yang mudah menyala.** Mesin listrik menimbulkan bunga api yang dapat menyalakan debu atau uap tersebut.
3. **Jauhkan anak-anak dan orang lain saat menggunakan mesin listrik.** Bila perhatian terpecah, anda dapat kehilangan kendali.

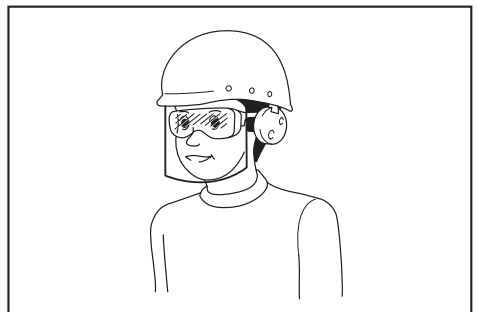
## Keamanan Kelistrikan

1. **Steker mesin listrik harus cocok dengan stopkontak. Jangan sekali-kali mengubah steker dengan cara apa pun. Jangan menggunakan steker adaptor dengan mesin listrik terbumi (dibumikan).** Steker yang tidak diubah dan stopkontak yang cocok akan mengurangi risiko sengatan listrik.
2. **Hindari sentuhan tubuh dengan permukaan terbumi atau yang dibumikan seperti pipa, radiator, kompor, dan kulkas.** Risiko sengatan listrik bertambah jika tubuh Anda terbumikan atau dibumikan.
3. **Jangan membiarkan mesin listrik kehujanan atau kebasahan.** Air yang masuk ke dalam mesin listrik akan meningkatkan risiko sengatan listrik.
4. **Jangan menyalahgunakan kabel. Jangan sekali-kali menggunakan kabel untuk membawa, menarik, atau mencabut mesin listrik dari stopkontak. Jauhkan kabel dari panas, minyak, tepian tajam, atau bagian yang bergerak.** Kabel yang rusak atau kusut memperbesar risiko sengatan listrik.
5. **Bila menggunakan mesin listrik di luar ruangan, gunakan kabel ekstensi yang sesuai untuk penggunaan di luar ruangan.** Penggunaan kabel yang sesuai untuk penggunaan luar ruangan mengurangi risiko sengatan listrik.
6. **Jika mengoperasikan mesin listrik di lokasi lembap tidak terhindarkan, gunakan pasokan daya yang dilindungi peranti imbasan arus (residual current device - RCD).** Penggunaan RCD mengurangi risiko sengatan listrik.
7. **Mesin listrik dapat menghasilkan medan magnet (EMF) yang tidak berbahaya bagi pengguna.** Namun, pengguna alat pacu jantung atau peralatan medis sejenisnya harus berkonsultasi dengan produsen peralatan tersebut dan/atau dokter mereka sebelum mengoperasikan mesin listrik ini.

## Keselamatan Diri

1. **Jaga kewaspadaan, perhatikan pekerjaan Anda dan gunakan akal sehat bila menggunakan mesin listrik. Jangan menggunakan mesin listrik saat Anda lelah atau di bawah pengaruh obat bius, alkohol, atau obat.** Sekejap saja lalai saat menggunakan mesin listrik dapat menyebabkan cedera badan serius.

2. **Gunakan alat pelindung diri. Selalu gunakan pelindung mata.** Peralatan pelindung seperti masker debu, sepatu pengaman anti-selip, helm pengaman, atau pelindung telinga yang digunakan untuk kondisi yang sesuai akan mengurangi risiko cedera badan.
3. **Cegah penyalahan yang tidak disengaja. Pastikan bahwa sakelar berada dalam posisi mati (off) sebelum menghubungkan mesin ke sumber daya dan/atau paket baterai, atau mengangkat atau membawanya.** Membawa mesin listrik dengan jari Anda pada sakelarnya atau mengalirkan listrik pada mesin listrik yang sakelarnya hidup (on) akan mengundang kecelakaan.
4. **Lepaskan kunci-kunci penyetel sebelum menghidupkan mesin listrik.** Kunci-kunci yang masih terpasang pada bagian mesin listrik yang berputar dapat menyebabkan cedera.
5. **Jangan meraih terlalu jauh. Jagalah pijakan dan keseimbangan sepanjang waktu.** Hal ini memungkinkan kendali yang lebih baik atas mesin listrik dalam situasi yang tidak diharapkan.
6. **Kenakan pakaian yang memadai. Jangan memakai pakaian yang longgar atau perhiasan. Jaga jarak antara rambut dan pakaian Anda dengan komponen mesin yang bergerak.** Pakaian yang longgar, perhiasan, atau rambut yang panjang dapat tersangkut pada komponen yang bergerak.
7. **Jika tersedia fasilitas untuk menghisap dan mengumpulkan debu, pastikan fasilitas tersebut terhubung listrik dan digunakan dengan baik.** Penggunaan pembersih debu dapat mengurangi bahaya yang terkait dengan debu.
8. **Jangan sampai Anda lengah dan mengabaikan prinsip keselamatan mesin ini hanya karena sudah sering mengoperasikannya dan sudah merasa terbiasa.** Tindakan yang lalai dapat menyebabkan cedera berat dalam sepersekian detik saja.
9. **Selalu kenakan kacamata pelindung untuk melindungi mata dari cedera saat menggunakan mesin listrik.** Kacamata harus sesuai dengan ANSI Z87.1 di Amerika Serikat, EN 166 di Eropa, atau AS/NZS 1336 di Australia/Selandia Baru. Di Australia/Selandia Baru, secara hukum Anda juga diwajibkan mengenakan pelindung wajah untuk melindungi wajah Anda.



**Menjadi tanggung jawab atasan untuk menerapkan penggunaan alat pelindung keselamatan yang tepat bagi operator mesin dan orang lain yang berada di area kerja saat itu.**

#### **Penggunaan dan pemeliharaan mesin listrik**

1. **Jangan memaksa mesin listrik. Gunakan mesin listrik yang tepat untuk keperluan Anda.** Mesin listrik yang tepat akan menuntaskan pekerjaan dengan lebih baik dan aman pada kecepatan sesuai rancangannya.
2. **Jangan gunakan mesin listrik jika sakelar tidak dapat menyalakan dan mematikannya.** Mesin listrik yang tidak dapat dikendalikan dengan sakelarnya adalah berbahaya dan harus diperbaiki.
3. **Cabut steker dari sumber listrik dan/atau lepas paket baterai, jika dapat dilepas, dari mesin listrik sebelum melakukan penyetelan apa pun, mengganti aksesoris, atau menyimpan mesin listrik.** Langkah keselamatan preventif tersebut mengurangi risiko hidupnya mesin secara tak sengaja.
4. **Simpan mesin listrik jauh dari jangkauan anak-anak dan jangan biarkan orang yang tidak paham mengenai mesin listrik tersebut atau petunjuk ini menggunakan mesin listrik.** Mesin listrik sangat berbahaya di tangan pengguna yang tak terlatih.
5. **Rawatlah mesin listrik dan aksesoris. Periksa apakah ada komponen bergerak yang tidak lurus atau macet, komponen yang pecah, dan kondisi-kondisi lain yang dapat memengaruhi pengoperasian mesin listrik. Jika rusak, perbaiki mesin listrik terlebih dahulu sebelum digunakan.** Banyak kecelakaan disebabkan oleh kurangnya pemeliharaan mesin listrik.
6. **Jaga agar mesin pemotong tetap tajam dan bersih.** Mesin pemotong yang terawat baik dengan mata pemotong yang tajam tidak mudah macet dan lebih mudah dikendalikan.
7. **Gunakan mesin listrik, aksesoris, dan mata mesin, dll. sesuai dengan petunjuk ini, dengan memperhitungkan kondisi kerja dan jenis pekerjaan yang dilakukan.** Penggunaan mesin listrik untuk penggunaan yang lain dari peruntukan dapat menimbulkan situasi berbahaya.
8. **Jagalah agar gagang dan permukaan pegangan tetap kering, bersih, dan bebas dari minyak dan pelumas.** Gagang dan permukaan pegangan yang licin tidak mendukung keamanan penanganan dan pengendalian mesin dalam situasi-situasi tak terduga.
9. **Ketika menggunakan mesin, jangan menggunakan sarung tangan kain yang dapat tersangkut.** Sarung tangan kain yang tersangkut pada komponen bergerak dapat mengakibatkan cedera pada pengguna.

#### **Penggunaan dan pemeliharaan mesin bertenaga baterai**

1. **Isi ulang baterai hanya dengan pengisi daya yang ditentukan oleh pabrikan.** Pengisi daya yang cocok untuk satu jenis paket baterai dapat menimbulkan risiko kebakaran ketika digunakan untuk paket baterai yang lain.

2. **Gunakan mesin listrik hanya dengan paket baterai yang telah ditentukan secara khusus.** Penggunaan paket baterai lain dapat menimbulkan risiko cedera dan kebakaran.
3. **Ketika paket baterai tidak digunakan, jauhkan dari benda logam lain, seperti penjepit kertas, uang logam, kunci, paku, sekrup atau benda logam kecil lainnya, yang dapat menghubungkan satu terminal ke terminal lain.** Hubungan singkat terminal baterai dapat menyebabkan luka bakar atau kebakaran.
4. **Pemakaian yang salah, dapat menyebabkan kealuannya cairan dari baterai; hindari kontak. Jika terjadi kontak secara tidak sengaja, bilas dengan air. Jika cairan mengenai mata, cari bantuan medis.** Cairan yang keluar dari baterai bisa menyebabkan iritasi atau luka bakar.
5. **Jangan menggunakan paket baterai atau mesin yang sudah rusak atau telah diubah.** Baterai yang rusak atau telah diubah dapat menyebabkan hal-hal yang tidak dapat diprediksi yang dapat menyebabkan kebakaran, ledakan atau risiko cedera.
6. **Jangan membiarkan paket baterai atau mesin dekat dengan api atau suhu yang berlebihan.** Paparan api atau suhu di atas 130 °C dapat menyebabkan ledakan.
7. **Ikuti semua petunjuk pengisian daya dan jangan mengisi daya paket baterai atau mesin di luar rentang suhu yang ditentukan di panduan.** Mengisi daya secara tidak tepat atau pada suhu di luar rentang yang ditentukan dapat merusak baterai dan meningkatkan risiko kebakaran.

#### **Servis**

1. **Berikan mesin listrik untuk diperbaiki hanya kepada oleh teknisi yang berkualifikasi dengan menggunakan hanya suku cadang pengganti yang serupa.** Hal ini akan menjamin terjaminnya keamanan mesin listrik.
2. **Jangan pernah memperbaiki paket baterai yang sudah rusak.** Perbaikan paket baterai harus dilakukan hanya oleh produsen atau penyedia servis resmi.
3. **Patuhi petunjuk pelumasan dan penggantian aksesoris.**

### **Peringatan keselamatan gergaji jig tanpa kabel**

1. **Pegang mesin listrik pada permukaan genggam yang terisolasi saat melakukan pekerjaan bila aksesoris pemotong mungkin bersentuhan dengan kawat tersembunyi.** Aksesoris pemotong yang menyentuh kawat "hidup" dapat menyebabkan bagian logam pada mesin teraliri arus listrik dan menyengat pengguna.
2. **Gunakan klem atau cara praktis lainnya untuk mengikat dan menahan benda kerja pada posisi yang stabil.** Menahan benda kerja dengan tangan atau berada pada posisi berlawanan dengan badan Anda membuat benda kerja tidak stabil dan dapat menyebabkan kehilangan kendali.



3. Selalu gunakan kaca mata pengaman atau kaca mata pelindung. Kaca mata biasa atau kaca mata hitam BUKANLAH kaca mata pengaman.
  4. Hindari memotong paku. Periksa apakah terdapat paku di benda kerja dan buang semua paku sebelum pengoperasian.
  5. Jangan memotong benda kerja terlalu besar.
  6. Periksa apakah jarak di luar benda kerja sudah tepat sebelum memotong sehingga mata pisau tidak akan menabrak lantai, meja kerja, dll.
  7. Pegang mesin kuat-kuat.
  8. Pastikan bahwa mata pisau tidak menyentuh benda kerja sebelum sakelar dinyalakan.
  9. Jauhkan tangan dari bagian yang berputar.
  10. Jangan tinggalkan mesin dalam keadaan hidup. Jalankan mesin hanya ketika digenggam tangan.
  11. Selalu matikan dan tunggu sampai mata pisau benar-benar berhenti sebelum melepas mata pisau dari benda kerja.
  12. Jangan menyentuh mata pisau atau benda kerja segera setelah pengoperasian; suhunya mungkin masih sangat panas dan dapat membakar kulit Anda.
  13. Jangan mengoperasikan mesin tanpa beban dengan tanpa keperluan.
  14. Bahan tertentu mengandung zat kimia yang mungkin beracun. Hindari menghirup debu dan persentuhan dengan kulit. Ikuti data keselamatan bahan dari pemasok.
  15. Selalu gunakan masker debu/alat pernafasan yang tepat sesuai bahan dan pekerjaan yang sedang Anda kerjakan.
5. Jangan menghubungkan terminal kartrid baterai:
    - (1) Jangan menyentuh terminal dengan bahan penghantar listrik apa pun.
    - (2) Hindari menyimpan kartrid baterai pada wadah yang berisi benda logam lain seperti paku, uang logam, dsb.
    - (3) Jangan membiarkan baterai terkena air atau kejuhanan.

Hubungan singkat baterai dapat menyebabkan aliran arus listrik yang besar, panas berlebih, kemungkinan mengalami luka bakar dan bahkan kerusakan pada baterai.
  6. Jangan menyimpan dan menggunakan mesin dan kartrid baterai pada lokasi dengan suhu yang bisa mencapai atau melebihi 50 °C (122 °F).
  7. Jangan membuang kartrid baterai di tempat pembakaran sampah walaupun benar-benar rusak atau tidak bisa digunakan sama sekali. Kartrid baterai bisa meledak jika terbakar.
  8. Jangan memaku, memotong, menghancurkan, melempar, menjatuhkan kartrid baterai, atau memukulkan benda keras ke kartrid baterai. Tindakan tersebut dapat menimbulkan api, panas berlebih, atau ledakan.
  9. Jangan menggunakan baterai yang rusak.
  10. Baterai litium-ion yang disertakan sesuai dengan persyaratan Perundangan Makanan Berbahaya.
 

Harus ada pengawasan untuk pengangkutan komersial misalnya oleh pihak ketiga, ekspeditor, persyaratan khusus terhadap pengemasan dan pelabelan. Diperlukan adanya konsultasi dengan ahli mengenai material berbahaya untuk persiapan barang yang akan dikirimkan. Perhatikan pula peraturan nasional yang lebih terperinci yang mungkin ada. Beri perekat atau tutupi bagian yang terbuka dan kemasi baterai dengan cara yang tidak akan menimbulkan pergeseran dalam pengemasan.

## SIMPAN PETUNJUK INI.

**⚠️PERINGATAN:** JANGAN biarkan kenyamanan atau terbiasanya Anda dengan produk (karena penggunaan berulang) mengurangi kepatuhan yang ketat terhadap aturan keselamatan untuk produk yang terkait. PENYALAHGUNAAN atau kelalaian mematuhi kaidah keselamatan yang tertera dalam petunjuk ini dapat menyebabkan cedera badan serius.

## Petunjuk keselamatan penting untuk kartrid baterai

1. Sebelum menggunakan kartrid baterai, bacalah semua petunjuk dan penandaan pada (1) pengisi daya baterai, (2) baterai, dan (3) produk yang menggunakan baterai.
2. Jangan membongkar atau memodifikasi kartrid baterai. Tindakan tersebut dapat menimbulkan api, panas berlebih, atau ledakan.
3. Jika waktu beroperasinya menjadi sangat singkat, segera hentikan penggunaan. Hal tersebut dapat menimbulkan risiko panas berlebih, kemungkinan mengalami luka bakar atau bahkan terjadi ledakan.
4. Jika elektrolit mengenai mata Anda, basuh dengan air bersih dan segera cari pertolongan medis. Hal tersebut dapat mengakibatkan hilangnya kemampuan penglihatan Anda.
5. Jika mesin tidak digunakan dalam jangka waktu yang lama, baterai harus dilepas dari mesin.
6. Selama dan setelah digunakan, kartrid baterai mungkin menyimpan panas yang dapat menyebabkan luka bakar atau luka bakar suhu rendah. Perhatikan cara memegang kartrid baterai yang masih panas.
7. Jangan langsung menyentuh terminal mesin setelah digunakan karena suhunya mungkin cukup panas untuk menyebabkan luka bakar.



- Jangan biarkan serpihan, debu, atau tanah menempel di terminal, lubang, dan alur kartrid baterai. Hal tersebut dapat mengakibatkan kinerja buruk atau kerusakan mesin maupun kartrid baterai.
- Kecuali jika mesin mendukung penggunaan di dekat saluran listrik bertegangan tinggi, jangan gunakan kartrid baterai di dekat saluran listrik bertegangan tinggi. Hal tersebut dapat mengakibatkan kegagalan fungsi atau kerusakan mesin maupun kartrid baterai.
- Jauhkan baterai dari jangkauan anak-anak.

## SIMPAN PETUNJUK INI.

**⚠PERHATIAN:** Gunakan baterai asli Makita. Penggunaan baterai Makita yang tidak asli, atau baterai yang sudah diubah, akan mengakibatkan baterai mudah terbakar, cedera dan kerusakan. Akan menghilangkan garansi Makita pada pengisi daya dan alat Makita.

## Tip untuk menjaga agar umur pemakaian baterai maksimum

- Isi ulang kartrid baterai sebelum habis sama sekali. Selalu hentikan penggunaan mesin dan ganti kartrid baterai jika Anda melihat bahwa mesin kurang tenaga.
- Jangan pernah mengisi ulang kartrid baterai yang sudah diisi penuh. Pengisian ulang yang berlebih memperpendek umur pemakaian baterai.
- Isi ulang kartrid baterai pada suhu ruangan 10 °C - 40 °C. Biarkan kartrid baterai yang panas menjadi dingin terlebih dahulu sebelum diisi ulang.
- Saat kartrid baterai tidak digunakan, lepaskan dari mesin atau pengisi daya.

## DESKRIPSI FUNGSI

**⚠PERHATIAN:** Selalu pastikan bahwa mesin dimatikan dan kartrid baterai dilepas sebelum menyetel atau memeriksa kerja mesin.

## Memasang atau melepas baterai

**⚠PERHATIAN:** Selalu matikan mesin sebelum memasang atau melepas kartrid baterai.

**⚠PERHATIAN:** Pegang mesin dan kartrid baterai kuat-kuat saat memasang atau melepas kartrid baterai. Kelalaian untuk memegang mesin dan kartrid baterai kuat-kuat bisa menyebabkan keduanya tergelincir dari tangan Anda dan mengakibatkan kerusakan pada mesin dan kartrid baterai dan cedera diri.

- **Gbr.1:** 1. Indikator berwarna merah 2. Tombol 3. Kartrid baterai

Untuk melepas kartrid baterai, geser dari mesin sambil menggeser tombol pada bagian depan kartrid.

Untuk memasang kartrid baterai, sejajarkan lidah kartrid baterai dengan alur pada rumah dan masukkan ke dalam tempatnya. Masukkan seluruhnya sampai terkunci pada tempatnya dan terdengar bunyi klik kecil. Jika Anda bisa melihat indikator berwarna merah pada sisi atas tombol, berarti tidak terkunci sepenuhnya.

**⚠PERHATIAN:** Selalu pasang kartrid baterai sepenuhnya sampai indikator berwarna merah tidak terlihat. Jika tidak, bisa terlepas dari mesin secara tidak sengaja, menyebabkan luka pada Anda atau orang di sekitar Anda.

**⚠PERHATIAN:** Jangan memasang kartrid baterai secara paksa. Jika kartrid tidak bergeser dengan mudah, berarti tidak dimasukkan dengan benar.

## Sistem perlindungan baterai

Mesin ini dilengkapi dengan sistem perlindungan baterai. Sistem ini memutus daya ke motor secara otomatis untuk memperpanjang umur pemakaian baterai.

Mesin akan berhenti saat penggunaan saat mesin dan/atau baterai berada dalam salah satu kondisi berikut ini:

### Kelebihan beban:

Mesin dijalankan dengan cara yang menyebabkannya menarik arus tinggi yang tidak normal. Untuk situasi ini, matikan mesin dan hentikan pekerjaan yang menyebabkan mesin mengalami kelebihan beban. Kemudian, nyalakan mesin untuk kembali memulai pekerjaan.

Jika mesin tidak menyala, baterai mengalami kelebihan panas. Untuk situasi ini, biarkan baterai mendingin sebelum kembali menyalakan mesin.

### Tegangan baterai rendah:

Kapasitas baterai yang tersisa terlalu rendah dan mesin tidak akan beroperasi. Jika Anda menyalakan mesin, motor akan menyala lagi tetapi segera berhenti. Untuk situasi ini, lepas dan isi ulang baterai.

## Mengindikasikan kapasitas baterai yang tersisa

### Hanya untuk kartrid baterai dengan indikator

► **Gbr.2:** 1. Lampu indikator 2. Tombol pemeriksaan

Tekan tombol pemeriksaan pada kartrid baterai untuk melihat kapasitas baterai yang tersisa. Lampu indikator menyala selama beberapa detik.

Lampu indikator		Kapasitas yang tersisa
Menyala	Mati	
■ ■ ■ ■ ■	□	75% hingga 100%
■ ■ ■ □	□	50% hingga 75%
■ ■ □ □	□ □	25% hingga 50%
■ □ □ □	□ □ □ □	0% hingga 25%

**CATATAN:** Tergantung kondisi penggunaan dan suhu lingkungannya, penunjukkan mungkin saja sedikit berbeda dari kapasitas sebenarnya.

## Memilih gerak pemotongan

► **Gbr.3:** 1. Tuas pengubah gerak pemotongan

Mesin ini dapat dioperasikan dengan gerak pemotongan sejajar atau edar (naik dan turun). Gerak pemotongan edar mendorong mata pisau gergaji jig ke depan pada langkah pemotongan dan meningkatkan kecepatan pemotongan.

Untuk mengubah gerak pemotongan, putar tuas pengubah gerak pemotongan ke posisi gerak pemotongan yang diinginkan. Silakan mengacu pada tabel untuk memilih gerak pemotongan yang tepat.

Posisi	Gerak pemotongan	Aplikasi
0	Gerak pemotongan sejajar	Untuk pemotongan baja lunak, baja tahan karat, dan plastik.
		Untuk potongan bersih di kayu dan tripleks.
I	Gerak pemotongan edar kecil	Untuk pemotongan baja lunak, aluminium, dan kayu keras.
II	Gerak pemotongan edar medium	Untuk pemotongan kayu dan tripleks.
		Untuk pemotongan cepat pada aluminium dan baja lunak.
III	Gerak pemotongan edar besar	Untuk pemotongan cepat pada kayu dan tripleks.

## Kerja sakelar

**PERHATIAN:** Sebelum memasukkan kartrid baterai pada mesin, pastikan picu saklar berfungsi dengan baik dan kembali ke posisi "OFF" saat dilepas.

**PERHATIAN:** Saat mesin tidak dioperasikan, tekan tombol buka kunci dari sisi A untuk mengunci pelatuk sakelar di posisi OFF.

► **Gbr.4:** 1. Tombol buka kunci 2. Pelatuk sakelar

Untuk mencegah picu sakelar tertarik dengan tidak sengaja, tersedia tombol buka kunci. Untuk menjalankan mesin, tekan tombol buka kunci dari sisi B dan tarik picu saklar. Kecepatan mesin akan meningkat dengan menambah tekanan pada picu saklar. Lepaskan pelatuk sakelar untuk berhenti. Setelah penggunaan, selalu tekan tombol buka kunci dari sisi A.

## PERAKITAN

**PERHATIAN:** Selalu pastikan bahwa mesin dimatikan dan kartrid baterai dilepas sebelum melakukan pekerjaan apa pun pada mesin.

## Memasang atau melepas mata gergaji jig

**PERHATIAN:** Selalu bersihkan serpihan atau benda asing yang melekat pada mata pisau gergaji jig dan/atau pemegang mata pisau. Kelalaian dalam melakukannya dapat mengakibatkan mata pisau tidak terpasang dengan kencang, yang dapat mengakibatkan cedera diri serius.

**PERHATIAN:** Jangan menyentuh mata pisau gergaji jig atau benda kerja segera setelah pengoperasian. Suhunya mungkin masih sangat panas dan dapat membakar kulit Anda.

**PERHATIAN:** Selalu kencangkan mata pisau gergaji jig. Pemasangan yang kurang kencang dapat menyebabkan kerusakan mata pisau atau cedera diri serius.

**PERHATIAN:** Hanya gunakan mata pisau gergaji jig jenis B. Menggunakan mata pisau selain jenis B dapat mengakibatkan mata pisau tidak terpasang dengan kencang, yang dapat mengakibatkan cedera diri serius.

Untuk memasang mata pisau gergaji jig, kendurkan baut berlawanan arah jarum jam pada pemegang mata pisau gergaji jig dengan kunci L.

► **Gbr.5:** 1. Pemegang mata gergaji jig 2. Baut 3. Kunci L

Dengan gigi mata pisau yang menghadap ke depan, masukkan mata pisau gergaji jig ke dalam pemegang mata pisau gergaji jig sedalam mungkin. Pastikan tepi belakang dari mata pisau sesuai dengan rol. Kemudian kencangkan baut searah jarum jam untuk mengencangkan pisau.

► **Gbr.6:** 1. Baut 2. Rol 3. Mata gergaji jig

Untuk melepas mata gergaji jig, ikuti urutan terbalik dari prosedur pemasangan.

**CATATAN:** Lumasi rol secara berkala.

## Penyimpanan kunci L

► **Gbr.7:** 1. Kait 2. Kunci L

Saat tidak digunakan, simpan kunci L seperti terlihat pada gambar agar tidak hilang. Pertama, masukkan kunci L ke lubang. Kemudian tekan kunci L ke dalam pengait hingga terkunci.

## Penutup debu

**⚠️ PERHATIAN:** Selalu gunakan kaca mata pelindung saat menggunakan peralatan bahkan dengan penutup debu yang direndahkan.

Rendahkan penutup debu untuk mencegah serpihan agar tidak terbang. Namun, saat memotong bagian sudut, tetap angkat peralatan.

► **Gbr.8:** 1. Penutup debu

## PENGUNAAN

**⚠️ PERHATIAN:** Selalu pegang dudukan benam dengan benda kerja. Kelalaian dalam melakukannya dapat menyebabkan pecahnya mata pisau gergaji jig, yang akan mengakibatkan cedera serius.

**⚠️ PERHATIAN:** Gerakkan mesin sangat perlahan ketika memotong lengkungan atau bergulir. Memaksakan pecahnya mata pisau gergaji jig, yang akan mengakibatkan kerusakan mata pisau gergaji jig.

► **Gbr.9:** 1. Garis pemotongan 2. Dudukan

Nyalakan mesin dengan kondisi mata pisau tidak menyentuh apa pun dan tunggu sampai mata pisau gergaji jig mencapai kecepatan penuh. Kemudian letakkan dudukan mendatar di benda kerja dan perlahan gerakkan mesin ke depan mengikuti garis potong yang telah ditandai sebelumnya.

## Pemotongan siku-siku

**⚠️ PERHATIAN:** Selalu pastikan bahwa mesin dimatikan dan kartrid baterai dilepas sebelum memiringkan dudukan.

**⚠️ PERHATIAN:** Naikkan penutup debu sebelum melakukan pemotongan sudut siku-siku.

Dengan dudukan yang dimiringkan, Anda dapat melakukan pemotongan sudut siku-siku di sudut mana pun antara 0° dan 45° (kiri atau kanan).

► **Gbr.10**

Kendurkan baut di bagian belakang dudukan dengan kunci L. Pindahkan dudukan sehingga baut terletak di tengah lubang melintang di dudukan.

► **Gbr.11:** 1. Kunci L 2. Baut 3. Dudukan

Miringkan dudukan hingga sudut siku-siku yang diinginkan tercapai. Tepi rumahan motor mengindikasikan sudut siku-siku dengan skala. Kemudian kencangkan baut untuk mengencangkan dudukan.

► **Gbr.12:** 1. Tepi 2. Skala

## Potongan benam depan

► **Gbr.13:** 1. Kunci L 2. Baut 3. Dudukan

Kendurkan baut di belakang dudukan dengan kunci L dan geserkan dudukan jauh ke belakang. Kemudian kencangkan baut untuk mengencangkan dudukan.

## Potongan

Potongan dapat dibuat dengan dua metode "Mengebor lubang awal" atau "Pemotongan plunge".

## Mengebor lubang awal

► **Gbr.14**

Untuk potongan internal tanpa potongan pemandu dari tepi, bor terlebih dahulu lubang awal berdiameter 12 mm atau lebih. Masukkan mata pisau gergaji jig ke lubang ini untuk memulai potongan Anda.

## Pemotongan plunge

► **Gbr.15**

Anda tidak perlu mengebor lubang awal atau membuat potongan pemandu jika Anda melakukan hal berikut secara berhati-hati.

1. Miringkan mesin ke tepian depan dudukan dengan titik mata pisau gergaji jig terletak di atas permukaan benda kerja.
2. Beri tekanan pada mesin sehingga tepi depan dudukan tidak akan bergerak ketika Anda menyalakan mesin dan perlahan turunkan bagian belakang mesin.
3. Sementara mata pisau gergaji jig menembus benda kerja, perlahan turunkan dudukan mesin ke permukaan benda kerja.
4. Selesaikan pemotongan dengan normal.

## Pengerjaan akhir tepi

► **Gbr.16**

Untuk memangkas tepian atau membuat penyetalan dimensi, jalankan mata pisau gergaji jig dengan ringan di tepi pemotongan.

## Pemotongan logam

Selalu gunakan pendingin (minyak pemotong) yang sesuai saat memotong logam. Kelalaian dalam melakukannya akan menyebabkan keausan parah pada mata pisau. Sisi bawah benda kerja lebih baik dilumasi gemuk daripada menggunakan pendingin.

## Pengumpulan debu

► **Gbr.17:** 1. Selang (pilihan aksesoris) 2. Penutup debu

Operasi pemotongan yang bersih dapat dilakukan dengan menyambungkan peralatan ini ke penyedot debu Makita.

Masukkan selang penyedot debu ke lubang pada bagian belakang mesin.

Rendahkan penutup debu sebelum penggunaan.

**CATATAN:** Pengumpulan debu tidak dapat dilakukan ketika membuat potongan sudut siku-siku.

## Pembatas potongan

### Pilihan Aksesori

**⚠PERHATIAN:** Selalu pastikan bahwa mesin dimatikan dan kartrid baterai dilepas sebelum memasang atau melepaskan aksesori.

## Potongan lurus

Ketika berulang kali memotong dengan lebar 160 mm atau kurang, penggunaan pembatas potongan akan memastikan pemotongan yang cepat, bersih, dan lurus.

► **Gbr.18:** 1. Pembatas potongan (Mistar pemandu)

Untuk memasangnya, masukkan pembatas potongan ke lubang persegi di bagian samping dudukan dengan pemandu pembatas menghadap ke arah bawah. Geser pembatas potongan ke posisi lebar pemotongan yang diinginkan, kemudian kencangkan baut untuk mengamankannya.

► **Gbr.19:** 1. Kunci L 2. Baut 3. Pemandu pembatas 4. Pembatas potongan (Mistar pemandu)

## Potongan bundar

Ketika memotong lingkaran atau lengkung dengan radius 170 mm atau kurang, pasang pembatas potongan seperti berikut.

► **Gbr.20:** 1. Pembatas potongan (Mistar pemandu)

1. Masukkan pembatas potongan ke lubang persegi di bagian samping dudukan dengan pemandu pembatas menghadap ke arah atas.

2. Masukkan pin pemandu bundar melalui salah satu dari kedua lubang di pemandu pembatas. Lakukan penyekrupan kenop berulir ke pin untuk mengamankan pin.

► **Gbr.21:** 1. Kenop berulir 2. Pemandu pembatas 3. Pembatas potongan (Mistar pemandu) 4. Pasak

3. Geser pembatas potongan ke radius pemotongan yang diinginkan, dan kencangkan baut untuk mengamankannya. Kemudian pindahkan dudukan jauh ke depan.

**CATATAN:** Selalu gunakan mata pisau gergaji jig No. B-17, B-18, B-26, atau B-27 ketika melakukan pemotongan bundar atau lengkung.

## Perangkat antiserpih

*Perangkat tambahan opsional, hanya untuk model dasar berbahan aluminium*

**⚠PERHATIAN:** Perangkat antiserpih tidak dapat digunakan ketika melakukan pemotongan sudut siku-siku.

► **Gbr.22:** 1. Dudukan 2. Perangkat antiserpih

Untuk pemotongan bebas serpihan, perangkat antiserpih bisa digunakan. Untuk memasang perangkat antiserpih, pindahkan dudukan peralatan jauh ke depan dan pasang dari bagian belakang dudukan peralatan. Saat Anda menggunakan pelat penutup, pasang perangkat antiserpih ke pelat penutup.

## Pelat penutup

*Perangkat tambahan opsional, hanya untuk model dasar berbahan aluminium*

► **Gbr.23:** 1. Pelat penutup 2. Dudukan

Gunakan pelat penutup saat memotong bagian melengkung, plastik, dan lain-lain. Pelat penutup tersebut melindungi bagian sensitif atau permukaan yang halus dari kerusakan. Pasangkan pada bagian belakang dudukan peralatan.

## PERAWATAN

**⚠PERHATIAN:** Selalu pastikan bahwa mesin dimatikan dan kartrid baterai dilepas sebelum melakukan pemeriksaan atau perawatan.

**PEMBERITAHUAN:** Jangan sekali-kali menggunakan bensin, tiner, alkohol, atau bahan sejenisnya. Penggunaan bahan demikian dapat menyebabkan perubahan warna, perubahan bentuk atau timbulnya retakan.

Untuk menjaga KEAMANAN dan KEANDALAN mesin, perbaikan, perawatan atau penyetulan lainnya harus dilakukan oleh Pusat Layanan Resmi atau Pabrik Makita; selalu gunakan suku cadang pengganti buatan Makita.

## AKSESORI PILIHAN

**⚠PERHATIAN:** Dianjurkan untuk menggunakan aksesori atau perangkat tambahan ini dengan mesin Makita Anda yang ditentukan dalam petunjuk ini. Penggunaan aksesori atau perangkat tambahan lain bisa menyebabkan risiko cedera pada manusia. Hanya gunakan aksesori atau perangkat tambahan sesuai dengan peruntukannya.

Jika Anda memerlukan bantuan lebih rinci berkenaan dengan aksesori ini, tanyakan pada Pusat Layanan Makita terdekat.

- Mata gergaji jig
- Kunci L 3
- Set Pembatas belahan (mistar pemandu)
- Perangkat antiserpih
- Selang (Untuk pengisap debu)
- Pelat penutup
- Baterai dan pengisi daya asli buatan Makita

**CATATAN:** Beberapa item dalam daftar tersebut mungkin sudah termasuk dalam paket mesin sebagai aksesori standar. Hal tersebut dapat berbeda dari satu negara ke negara lainnya.

## SPEKIFIKASI

<b>Model:</b>		<b>JV101D</b>
Panjang ayunan		18 mm
Lejang seminit		0 - 2,900 min <sup>-1</sup>
Jenis bilah		Jenis B
Kapasiti pemotongan maks.	Kayu	65 mm
	Keluli lembut	2 mm
	Aluminium	4 mm
Voltan terkadar		D.C. 10.8 V - 12 V maks
Panjang keseluruhan (Bergantung pada bateri)		232 - 250 mm
Berat bersih		1.8 - 1.9 kg

- Disebabkan program penyelidikan dan pembangunan kami yang berterusan, spesifikasi yang terkandung di dalam ini adalah tertakluk kepada perubahan tanpa notis.
- Spesifikasi mungkin berbeza mengikut negara.
- Berat mungkin berbeza bergantung kepada pemasangan, termasuk kartrij bateri. Kombinasi paling ringan dan paling berat, mengikut Prosedur EPTA 01/2014, ditunjukkan di dalam jadual.

### Kartrij bateri dan pengecas yang boleh digunakan

Kartrij bateri	BL1015 / BL1016 / BL1020B / BL1021B / BL1040B / BL1041B
Pengecas	DC10SA / DC10SB / DC10WC / DC10WD / DC18RE

- Sesetengah kartrij bateri dan pengecas yang disenaraikan di atas mungkin tidak tersedia bergantung pada kawasan kediaman anda.

**⚠️ AMARAN:** Gunakan hanya kartrij bateri dan pengecas yang disenaraikan di atas. Penggunaan mana-mana kartrij bateri dan pengecas yang lain mungkin menyebabkan kecederaan dan/atau kebakaran.

### Simbol

Berikut menunjukkan simbol-simbol yang boleh digunakan untuk alat ini. Pastikan anda memahami maksudnya sebelum menggunakan.



Baca manual arahan.



Ni-MH  
Li-ion

Hanya untuk negara-negara EU  
Jangan lupuskan peralatan elektrik atau pek bateri bersama-sama bahan sisa rumah!

Dalam mematuhi Arahan-Arahan Eropah mengenai Sisa Peralatan Elektrik dan Elektronik dan Bateri dan Akumulator dan Sisa Bateri dan Akumulator serta pelaksanaan mereka mengikut undang-undang negara, peralatan elektrik dan bateri dan pek-pek bateri yang telah mencapai akhir hayatnya mesti dikumpul secara berasingan dan dikembalikan ke kemudahan kitar semula yang bersesuaian dengan alam sekitar.

### Tujuan penggunaan

Alat ini bertujuan untuk menggergaji kayu, plastik dan bahan logam. Hasil daripada aksesori yang luas dan program bilah gergaji, alat ini boleh digunakan untuk pelbagai tujuan dan sangat sesuai untuk pemotongan melengkung atau bulat.

### Amaran keselamatan umum alat kuasa

**⚠️ AMARAN:** Baca semua amaran keselamatan, arahan, ilustrasi dan spesifikasi yang disediakan dengan alat kuasa ini. Kegagalan mengikut amaran dan arahan boleh menyebabkan kejutan elektrik, kebakaran dan/atau kecederaan serius.

### Simpan semua amaran dan arahan untuk rujukan masa depan.

Istilah "alat kuasa" dalam amaran merujuk kepada alat kuasa yang menggunakan tenaga elektrik (kabel) atau alat kuasa yang menggunakan bateri (tanpa kord).

### Keselamatan kawasan kerja

1. **Pastikan kawasan kerja bersih dan terang.** Kawasan berselerak atau gelap mengundang kemalangan.
2. **Jangan kendalikan alat kuasa dalam keadaan yang mudah meletup, seperti dalam kehadiran cecair, gas atau habuk yang mudah terbakar.** Alat kuasa menghasilkan percikan api yang boleh menyalakan debu atau wasap.
3. **Jauhkan kanak-kanak dan orang ramai semasa mengendalikan alat kuasa.** Gangguan boleh menyebabkan anda hilang kawalan.

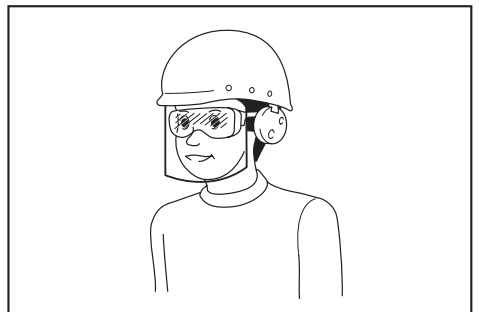
### Keselamatan elektrik

1. **Palam alat kuasa mesti sepadan dengan soket. Jangan ubah suai palam dalam apa cara sekalipun. Jangan gunakan sebarang palam penyesuai dengan alat kuasa terbumi.** Palam yang tidak diubah suai dan soket yang sepadan akan mengurangkan risiko kejutan elektrik.
2. **Elakkan sentuhan badan dengan permukaan terbumi, seperti paip, radiator, dapur dan peti sejuk.** Terdapat peningkatan risiko kejutan elektrik jika elektrik terbumi terkena badan anda.
3. **Jangan biarkan alat kuasa terkena hujan atau basah.** Air yang memasuki alat kuasa akan meningkatkan risiko kejutan elektrik.
4. **Jangan salah gunakan kord. Jangan gunakan kord untuk membawa, menarik atau mencabut palam alat kuasa. Jauhkan kord dari haba, minyak, bucu tajam atau bahagian yang bergerak.** Kord yang rosak atau tersimpul meningkatkan risiko kejutan elektrik.
5. **Semasa mengendalikan alat kuasa di luar, gunakan kord sambungan yang bersesuaian untuk kegunaan luar.** Penggunaan kord yang sesuai untuk kegunaan luar mengurangkan risiko kejutan elektrik.
6. **Sekiranya pengendalian alat kuasa di lokasi lembap tidak dapat dielakkan, gunakan bekalan peranti arus sisa (RCD) yang dilindungi.** Penggunaan RCD mengurangkan risiko kejutan elektrik.
7. **Alat kuasa boleh menghasilkan medan elektromagnetik (EMF) yang tidak berbahaya kepada pengguna.** Walau bagaimanapun, pengguna perentak jantung atau peranti perubatan yang serupa harus menghubungi pembuat peranti mereka dan/atau doktor untuk nasihat sebelum mengendalikan alat kuasa ini.

### Keselamatan diri

1. **Sentiasa berwaspada, perhatikan apa yang anda lakukan dan guna akal budi semasa mengendalikan alat kuasa. Jangan gunakan alat kuasa semasa anda letih atau di bawah pengaruh dadah, alkohol atau ubat.** Kelekaan seketika semasa mengendalikan alat kuasa boleh menyebabkan kecederaan diri yang serius.
2. **Gunakan peralatan pelindungan diri. Sentiasa pakai pelindung mata.** Peralatan pelindungan seperti topeng debu, kasut keselamatan tak mudah tergelincir, topi keselamatan atau pelindungan pendengaran yang digunakan untuk keadaan yang sesuai akan mengurangkan kecederaan diri.

3. **Elakkan permulaan yang tidak disengajakan. Pastikan suis ditutup sebelum menyambungkan kepada sumber kuasa dan/atau pek bateri, semasa mengangkat atau membawa alat.** Membawa alat kuasa dengan jari anda pada suis atau menentagakan alat kuasa dengan suis pada kedudukan hidup mengundang kemalangan.
4. **Alihkan sebarang kunci atau sepana pelaras sebelum menghidupkan alat kuasa.** Sepana atau kunci yang ditinggalkan pada bahagian berputar alat kuasa boleh menyebabkan kecederaan diri.
5. **Jangan lampau jangkau. Jaga pijakan dan keseimbangan yang betul pada setiap masa.** Ini membolehkan kawalan alat kuasa yang lebih baik dalam situasi yang tidak dijangka.
6. **Berpakaian dengan betul. Jangan pakai pakaian yang longgar atau barang kemas. Jauhkan rambut dan pakaian anda dari bahagian yang bergerak.** Pakaian longgar, barang kemas atau rambut yang panjang boleh terperangkap dalam bahagian yang bergerak.
7. **Jika peranti disediakan untuk sambungan kemudahan pengekstrakan dan pengumpulan habuk, pastikan ia disambung dan digunakan dengan betul.** Penggunaan pengumpulan habuk boleh mengurangkan bahaya berkaitan habuk.
8. **Jangan biarkan kebiasaan daripada kekerapan penggunaan alat membuat anda berpuas hati dan mengabaikan prinsip keselamatan alat.** Kecuaian boleh menyebabkan kecederaan serius dalam sekelip mata.
9. **Sentiasa pakai gogal pelindung untuk melindungi mata anda daripada kecederaan apabila menggunakan alat kuasa. Gogal mestilah mematuhi ANSI Z87.1 di AS, EN 166 di Eropah, atau AS/NZS 1336 di Australia/ New Zealand. Di Australia/New Zealand, undang-undang mengarahkan untuk memakai pelindung muka bagi melindungi muka anda, juga.**



**Menjadi tanggungjawab majikan untuk menguatkuasa penggunaan peralatan perlindungan keselamatan yang bersesuaian oleh pengendali alat dan oleh orang lain dalam kawasan bekerja semasa.**

### Penggunaan dan penjagaan alat kuasa

1. **Jangan gunakan alat kuasa dengan kasar. Gunakan alat kuasa yang betul untuk penggunaan anda.** Alat kuasa yang betul akan melakukan tugas dengan lebih baik dan lebih selamat pada kadar mana ia direka cipta.
2. **Jangan gunakan alat kuasa jika suis tidak berfungsi untuk menghidupkan dan mematikannya.** Alat kuasa yang tidak dapat dikawal dengan suis adalah berbahaya dan mesti dibaiki.
3. **Cabut palam dari sumber kuasa dan/atau keluarkan pek bateri, jika boleh ditanggalkan, dari alat kuasa sebelum membuat sebarang pelarasan, menukar aksesori, atau menyimpan alat kuasa.** Langkah-langkah keselamatan pencegahan sedemikian mengurangkan risiko memulakan alat kuasa secara tidak sengaja.
4. **Simpan alat kuasa yang tidak digunakan jauh dari jangkauan kanak-kanak dan jangan biarkan orang yang tidak biasa dengan alat kuasa atau arahan ini untuk mengendalikan alat kuasa.** Alat kuasa adalah berbahaya di tangan pengguna yang tidak terlatih.
5. **Menyelenggara alat kuasa dan aksesori. Periksa salah jajaran atau ikatan pada bahagian yang bergerak, bahagian yang pecah dan apa-apa keadaan lain yang boleh menjejaskan operasi alat kuasa. Jika rosak,baiki alat kuasa sebelum digunakan.** Kebanyakan kemalangan adalah disebabkan oleh alat kuasa yang tidak dijaga dengan baik.
6. **Pastikan alat pemotong tajam dan bersih.** Alat pemotong yang dijaga dengan betul dengan hujung pemotong yang tajam mempunyai kemungkinan yang rendah untuk terikat dan lebih mudah dikendalikan.
7. **Gunakan alat kuasa, aksesori dan alat bit dan sebagainya mengikut arahan ini dengan mengambil kira keadaan kerja dan kerja yang perlu dilakukan.** Penggunaan alat kuasa untuk operasi yang berbeza dari yang dimaksudkan boleh menyebabkan keadaan berbahaya.
8. **Pastikan pemegang dan permukaan pegangan kering, bersih dan bebas dari minyak dan gris.** Pemegang dan permukaan pegangan yang licin tidak membolehkan pengendalian dan kawalan selamat bagi alat dalam situasi yang tidak dijangka.
9. **Apabila menggunakan alat, jangan pakai sarung tangan kerja kain yang mungkin boleh kusut.** Kekusutan sarung tangan kerja kain pada bahagian yang bergerak boleh menyebabkan kecederaan diri.

### Penggunaan dan penjagaan alat bateri

1. **Cas semula dengan pengecas yang ditentukan oleh pengeluar sahaja.** Pengecas yang sesuai untuk satu jenis pek bateri mungkin menimbulkan risiko kebakaran apabila digunakan dengan pek bateri lain.
2. **Gunakan alat kuasa dengan pek bateri yang ditentukan secara khusus sahaja.** Penggunaan mana-mana pek bateri lain mungkin menimbulkan risiko kecederaan dan kebakaran.

3. **Apabila pek bateri tidak digunakan, jauhkannya daripada objek besi lain, seperti klip kertas, duit syiling, paku, skru atau objek besi kecil lain, yang boleh membuat sambungan dari satu terminal ke yang lain.** Memintas terminal bateri bersama-sama mungkin menyebabkan lecuran atau kebakaran.
4. **Di bawah keadaan kasar, cecair mungkin dikeluarkan daripada bateri; elakkan sentuhan. Jika tersentuh secara tidak sengaja, siram dengan air. Jika cecair terkena mata, dapatkan bantuan perubatan di samping siraman air.** Cecair yang dikeluarkan dari bateri mungkin menyebabkan kegatalan atau lecuran.
5. **Jangan gunakan pek bateri atau alat yang rosak atau diubah suai.** Bateri yang rosak atau diubah suai mungkin menunjukkan perilaku yang tidak dijangka menyebabkan kebakaran, letupan atau risiko kecederaan.
6. **Jangan dedahkan pek bateri atau alat kepada api atau suhu yang berlebihan.** Pendedahan kepada api atau suhu melebihi 130 °C mungkin menyebabkan letupan.
7. **Ikut semua arahan pengecasan dan jangan cas pek bateri atau alat di luar julat suhu yang ditetapkan dalam arahan.** Mengecas dengan tidak betul atau pada suhu di luar julat yang dinyatakan mungkin merosakkan bateri dan meningkatkan risiko kebakaran.

### Servis

1. **Pastikan alat kuasa anda diservis oleh orang yang berkelayakan dengan hanya menggunakan alat ganti yang sama.** Ini akan memastikan keselamatan alat kuasa dapat dikekalkan.
2. **Jangan servis pek bateri yang telah rosak.** Servis pek bateri hanya boleh dilakukan oleh pengeluar atau penyedia servis yang sah.
3. **Ikut arahan untuk melincir dan menukar aksesori.**

### Amanan keselamatan gergaji jig tanpa kord

1. **Pegang alat kuasa dengan permukaan pencengkam tertebat apabila melakukan operasi yang aksesori pemotong boleh tersentuh wayar tersembunyi.** Aksesori pemotong yang bersentuhan dengan wayar "hidup" boleh menyebabkan bahagian logam terdedah alat kuasa "hidup" dan boleh memberi kejutan elektrik kepada pengendali.
2. **Gunakan pengapit atau cara praktikal lain untuk mengukuhkan dan menyokong bahan kerja pada platform yang stabil.** Memegang bahan kerja dengan tangan anda atau menyandar pada badan menyebabkan ia tidak stabil dan boleh menyebabkan anda hilang kawalan.
3. **Sentiasa gunakan kaca mata atau gogal keselamatan.** Cermin mata atau cermin mata gelap biasa BUKAN cermin mata keselamatan.
4. **Elakkan memotong paku.** Periksa bahan kerja untuk melihat sebarang paku dan buang sebelum pengendalian.



5. Jangan potong bahan kerja yang terlampau besar.
  6. Pastikan pengosongan yang betul yang jauh dari bahan kerja sebelum memotong agar bilah tidak terkena lantai, bangku, dll.
  7. Pegang alat dengan kukuh.
  8. Pastikan bilah tidak menyentuh bahan kerja sebelum suis dihidupkan.
  9. Jauhkan tangan dari bahagian bergerak.
  10. Jangan tinggalkan alat yang sedang berjalan. Kendalikan alat hanya apabila dipegang.
  11. Sentiasa matikan suis dan tunggu sehingga bilah berhenti sepenuhnya sebelum mengeluarkan bilah daripada bahan kerja.
  12. Jangan sentuh bilah atau bahan kerja dengan serta-merta selepas operasi; ia mungkin sangat panas dan boleh melecurkan kulit anda.
  13. Jangan kendalikan alat tanpa beban tanpa keperluan.
  14. Sesetengah bahan mengandungi bahan kimia yang mungkin toksik. Sila berhati-hati untuk mencegah penyedutan habuk dan sentuhan kulit. Ikut data keselamatan pembekal bahan.
  15. Sentiasa gunakan topeng habuk/alat pernafasan yang betul untuk bahan dan aplikasi yang anda sedang kerjakan.
- (3) Jangan dedahkan kartrij bateri kepada air atau hujan.  
Pintasan bateri boleh menyebabkan aliran kuasa yang besar, pemanasan lampau, melecur dan juga kerosakan.
  6. Jangan simpan dan gunakan alat dan kartrij bateri di lokasi yang suhunya mungkin mencapai atau melebihi 50 °C (122 °F).
  7. Jangan bakar kartrij bateri walaupun jika ia rosak teruk atau haus sepenuhnya. Kartrij bateri boleh meletup dalam kebakaran.
  8. Jangan paku, potong, pecahkan, buang, jatuhkan kartrij bateri, atau tekan objek keras pada kartrij bateri. Perbuatan sedemikian boleh mengakibatkan kebakaran, haba berlebihan, atau letupan.
  9. Jangan gunakan bateri yang rosak.
  10. **Bateri litium ion yang terkandung adalah tertakluk kepada keperluan Perundangan Barangan Berbahaya.**  
Bagi pengangkutan komersil cth. oleh pihak ketiga, ejen penghantar, keperluan khas pada pembungkusan dan pelabelan mestilah diperhatikan.  
Bagi persediaan item yang dihantar, berunding dengan pakar bahan berbahaya adalah diperlukan. Sila juga perhatikan sebolehnya peraturan kebangsaan yang lebih terperinci. Lekatkan atau balut bahagian terbuka dan pek bateri supaya ia tidak bergerak dalam pembungkusan.

## SIMPAN ARAHAN INI.

**⚠️AMARAN:** JANGAN biarkan keselesaan atau kebiasaan dengan produk (daripada penggunaan berulang) menggantikan pematuhan ketat terhadap peraturan keselamatan untuk produk yang ditetapkan. SALAH GUNA atau keagagalan mematuhi peraturan-peraturan keselamatan yang dinyatakan dalam manual arahan ini boleh menyebabkan kecederaan diri yang serius.

## Arahan keselamatan penting untuk kartrij bateri

1. Sebelum menggunakan kartrij bateri, baca semua arahan dan tanda amaran pada (1) pengecas bateri, (2) bateri, dan (3) produk menggunakan bateri.
2. Jangan buka atau cabut kartrij bateri. Ia boleh mengakibatkan kebakaran, haba berlebihan, atau letupan.
3. Jika masa operasi menjadi sangat pendek, berhenti operasi serta merta. Ia mungkin menyebabkan risiko pemanasan lampau, melecur bahkan letupan.
4. Jika elektrolit masuk ke dalam mata anda, bilas mata dengan air jernih dan dapatkan rawatan perubatan serta merta. Ia mungkin menyebabkan kehilangan penglihatan.
5. Jangan pintaskan kartrij bateri:
  - (1) Jangan sentuh terminal dengan bahan berkonduksi.
  - (2) Elakkan menyimpan kartrij bateri dalam bekas bersama-sama objek besi lain seperti paku, duit syiling, dll.
11. Apabila melupuskan kartrij bateri, keluarkan ia daripada alat dan lupuskan ia di tempat selamat. Ikut peraturan tempatan anda mengenai pelupusan bateri.
12. Gunakan bateri hanya dengan produk yang ditentukan oleh Makita. Memasang bateri kepada produk yang tidak patuh mungkin menyebabkan kebakaran, pemanasan lampau, atau kebocoran elektrolit.
13. Jika alat tidak digunakan untuk tempoh masa yang lama, bateri mesti dikeluarkan daripada alat.
14. Semasa dan selepas penggunaan, kartrij bateri mungkin ada haba yang boleh menyebabkan terbakar atau suhu rendah terbakar. Beri perhatian kepada pengendalian kartrij bateri yang panas.
15. Jangan sentuh terminal alat itu selepas digunakan kerana ia mungkin panas menyebabkan terbakar.
16. Jangan biarkan cip, habuk, atau tanah terperangkap ke dalam terminal, lubang, dan alur kartrij bateri. Ia mungkin menyebabkan prestasi atau pecahan yang buruk dari alat atau kartrij bateri.
17. Melainkan alat ini menyokong penggunaan yang hampir dari talian kuasa elektrik voltan tinggi, jangan gunakan kartrij bateri berhampiran talian kuasa elektrik voltan tinggi. Ia mungkin menyebabkan kerosakan atau pecah pada alat atau kartrij bateri.
18. Jauhkan bateri daripada kanak-kanak.

## SIMPAN ARAHAN INI.



**⚠️PERHATIAN:** Hanya gunakan bateri asli Makita. Penggunaan bateri tidak asli Makita, atau bateri yang telah diubah suai, mungkin menyebabkan bateri meletup menyebabkan kebakaran, kecederaan diri dan kerosakan. Ia juga membatalkan jaminan Makita untuk alat Makita dan pengecas.

## Tip untuk mengekalkan hayat bateri maksimum

1. **Cas kartrij bateri sebelum ternyahcas sepenuhnya. Sentiasa hentikan operasi alat dan cas kartrij bateri apabila anda menyedari kurang kuasa alat.**
2. **Jangan cas semula kartrij bateri yang dicas sepenuhnya. Terlebih cas memendekkan hayat servis bateri.**
3. **Cas kartrij bateri dengan suhu bilik pada 10 °C - 40 °C (50 °F - 104 °F). Biarkan kartrij bateri yang panas menyejuk sebelum mengecasnya.**
4. **Apabila tidak menggunakan kartrij bateri, tanggalkannya dari alat atau pengecas.**

## KETERANGAN FUNGSI

**⚠️PERHATIAN:** Sentiasa pastikan alat dimatikan dan kartrij bateri dikeluarkan sebelum menyelaras atau menyemak fungsi pada alat.

## Memasang atau mengeluarkan kartrij bateri

**⚠️PERHATIAN:** Sentiasa matikan alat sebelum memasang atau mengeluarkan kartrij bateri.

**⚠️PERHATIAN:** Pegang alat dan kartrij bateri dengan kukuh apabila memasang atau mengeluarkan kartrij bateri. Gagal untuk memegang alat dan kartrij bateri dengan kukuh mungkin menyebabkan mereka terlepas daripada tangan anda dan mengakibatkan kerosakan kepada alat dan kartrij bateri dan kecederaan peribadi.

- **Rajah1:** 1. Penunjuk merah 2. Butang 3. Kartrij bateri

Untuk mengeluarkan kartrij bateri, luncurkan ia daripada alat apabila meluncurkan butang di hadapan kartrij.

Untuk memasang kartrij bateri, selaraskan lidah pada kartrij bateri dengan alur pada perumah dan gelincirkan ia ke tempatnya. Masukkan ia sepenuhnya sehingga ia terkunci di tempatnya dengan klik kecil. Jika anda boleh melihat penunjuk merah di sisi atas butang, ia tidak dikunci sepenuhnya.

**⚠️PERHATIAN:** Sentiasa pasang kartrij bateri sepenuhnya sehingga penunjuk merah tidak boleh dilihat. Jika tidak, ia mungkin jatuh tanpa sengaja daripada alat, menyebabkan kecederaan kepada anda atau seseorang di sekeliling anda.

**⚠️PERHATIAN:** Jangan pasang kartrij bateri secara paksa. Jika kartrij tidak meluncur dengan mudah, ia tidak dimasukkan dengan betul.

## Sistem perlindungan bateri

Alat dilengkapi dengan sistem perlindungan bateri. Sistem ini secara automatik memutuskan kuasa ke motor untuk memanjangkan hayat bateri. Alat akan berhenti secara automatik ketika operasi jika alat dan/atau bateri diletakkan di bawah salah satu keadaan yang berikut:

### Terlebih beban:

Alat dikendalikan dalam keadaan yang menyebabkannya menarik arus tinggi yang tidak normal.

Dalam situasi ini, matikan alat dan hentikan penggunaan yang menyebabkan alat menjadi terlebih beban. Kemudian hidupkan alat untuk mula semula. Jika alat tidak bermula, bateri terlampau panas. Dalam situasi ini, biarkan bateri sejuk sebelum hidupkan alat semula.

### Voltan bateri rendah:


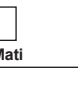






Kapasiti bateri yang tinggal terlalu rendah dan alat akan tidak beroperasi. Jika anda menghidupkan alat, motor berjalan semula tetapi kemudiannya berhenti. Dalam situasi ini, keluarkan dan cas semula bateri.

## Menunjukkan kapasiti bateri yang tinggal

**Hanya untuk kartrij bateri dengan penunjuk**

- **Rajah2:** 1. Lampu penunjuk 2. Butang semak

Tekan butang semak pada kartrij bateri untuk menunjukkan kapasiti bateri yang tinggal. Lampu penunjuk menyala untuk beberapa saat.

Lampu penunjuk		Kapasiti yang tinggal
Dinyalakan	Mati	
		75% hingga 100%
		50% hingga 75%
		25% hingga 50%
		0% hingga 25%

**NOTA:** Bergantung kepada keadaan penggunaan dan suhu persekitaran, penunjuk mungkin berbeza sedikit daripada kapasiti sebenar.

## Pemilihan tindakan pemotongan

► **Rajah3:** 1. Tindakan pemotongan menukar tuil

Atas ini boleh dikendalikan dengan cara orbit atau garis lurus (atas dan bawah) tindakan pemotongan. Tindakan pemotongan orbit meninjau gergaji jig ke hadapan pada ayunan memotong dan meningkatkan kelajuan pemotongan.

Untuk menukar tindakan pemotongan, hanya tukar tindakan memotong tuas yang berubah-ubah kepada kedudukan tindakan memotong yang diinginkan.

Rujuk jadual untuk memilih tindakan pemotongan yang sesuai.

Kedudukan	Tindakan pemotongan	Penggunaan
0	Tindakan memotong garis lurus	Untuk pemotongan keluli lembut, keluli tahan karat dan plastik. Untuk potong bersih di kayu dan papan lapis.
I	Tindakan pemotongan orbit yang kecil	Untuk pemotongan keluli lembut, aluminium dan kayu keras.
II	Tindakan pemotongan orbit yang sederhana	Untuk pemotongan kayu dan papan lapis. Untuk pemotongan cepat dalam aluminium dan keluli lembut.
III	Tindakan pemotongan orbit yang besar	Untuk pemotongan cepat di dalam kayu dan papan lapis.

## Tindakan suis

**⚠PERHATIAN:** Sebelum memasang kartrij bateri ke dalam alat, sentiasa periksa untuk melihat pemicu suis bergerak dengan betul dan kembali ke posisi "OFF" apabila dilepaskan.

**⚠PERHATIAN:** Apabila tidak mengendalikan alat ini, tekan butang buka kunci dari sisi A untuk mengunci pemicu suis di kedudukan OFF.

► **Rajah4:** 1. Butang buka kunci 2. Pemicu suis

Untuk mengelakkan pemicu suis daripada ditarik secara tidak sengaja, butang buka kunci disediakan.

Untuk memulakan alat, tekan butang buka kunci dari sisi B dan tarik pemicu suis.

Kelajuan alat ditingkatkan dengan menambah tekanan pada pemicu suis. Lepaskan pemicu suis untuk berhenti. Selepas digunakan, sentiasa tekan butang buka kunci dari sisi A.

## PEMASANGAN

**⚠PERHATIAN:** Sentiasa pastikan alat dimatikan dan kartrij bateri dikeluarkan sebelum menjalankan sebarang kerja pada alat.

## Memasangi atau mengeluarkan bilah gergaji jig

**⚠PERHATIAN:** Sentiasa bersihkan semua serpih atau bahan asing melekap pada bilah gergaji jig dan/atau pemegang bilah. Kegagalan berbuat demikian boleh menyebabkan bilah yang tidak cukup ketat, mengakibatkan kecederaan peribadi yang serius.

**⚠PERHATIAN:** Jangan sentuh bilah gergaji jig atau bahan kerja serta-merta selepas operasi. Ia mungkin sangat panas dan boleh melecurkan kulit anda.

**⚠PERHATIAN:** Sentiasa pastikan bilah gergaji jig kukuh. Mengetatkan bilah yang tidak mencukupi boleh menyebabkan kerosakan bilah atau kecederaan peribadi yang serius.

**⚠PERHATIAN:** Menggunakan hanya bilah gergaji jig jenis B. Menggunakan bilah selain daripada jenis B menyebabkan bilah tidak cukup ketat, yang mengakibatkan kecederaan peribadi yang serius.

Untuk memasang bilah gergaji jig, melonggarkan bolt mengikut arah lawan jam pada pemegang bilah gergaji jig dengan kunci allen.

► **Rajah5:** 1. Pemegang bilah gergaji jig 2. Bolt 3. Kunci allen

Dengan gigi bilah menghadap ke hadapan, masukkan bilah gergaji jig kepada pemegang bilah gergaji jig sejauh ia akan pergi. Pastikan bahawa bahagian belakang bilah itu sesuai dengan penggelek. Kemudian ketatkan bolt ikut arah jam dengan kemas untuk mengukuhkan bilah.

► **Rajah6:** 1. Bolt 2. Penggelek 3. Bilah gergaji jig

Untuk menanggalkan bilah gergaji jig, ikut prosedur pemasangan secara terbalik.

**NOTA:** Sekali sekala melincirkan penggelek.

## Penyimpanan sepana heksagon

► **Rajah7:** 1. Cangkuk 2. Kunci allen

Apabila tidak digunakan, simpan sepana heksagon seperti yang ditunjukkan dalam rajah itu agar tidak hilang.

Pertama, masukkan perengkuh heksagon ke dalam lubang. Kemudian tekannya ke dalam cangkuk sehingga terkunci.

## Pelindung habuk

**⚠️ PERHATIAN:** Sentiasa memakai gogal keselamatan semasa mengendalikan alat dengan pelindung habuk diturunkan.

Turunkan pelindung habuk untuk mencegah serpihan dari melayang. Walau bagaimanapun, semasa memotong serong, angkatnya ke atas sepenuhnya.

► **Rajah8:** 1. Pelindung habuk

## OPERASI

**⚠️ PERHATIAN:** Sentiasa memegang tapak sedatar dengan bahan kerja. Kegagalan berbuat demikian boleh menyebabkan bilah gergaji jig rosak, mengakibatkan kecederaan peribadi yang serius.

**⚠️ PERHATIAN:** Memajukan alat dengan perlahan-lahan apabila pemotongan melengkung atau menatal. Memaksa alat itu boleh menyebabkan kerosakan permukaan pemotongan serong dan bilah gergaji jig.

► **Rajah9:** 1. Garisan pemotongan 2. Tapak

Hidupkan alat tanpa bilah gergaji jig membuat sebarang sentuhan dan tunggu sehingga bilah mencapai kelajuan penuh. Kemudian letakkan tapak yang rata di atas bahan kerja dan perlahan-lahan gerakkan alat ke hadapan di sepanjang garis pemotongan yang telah ditandakan sebelumnya.

## Potongan serong

**⚠️ PERHATIAN:** Sentiasa pastikan alat dimatikan dan kartrij bateri dikeluarkan sebelum mencondongkan tapak.

**⚠️ PERHATIAN:** Naikkan penutup habuk keseluruhan sebelum membuat potongan serong.

Dengan tapak yang condong, anda boleh membuat potongan serong di mana-mana sudut antara 0° dan 45° (kiri atau kanan).

► **Rajah10**

Longgarkan bolt di belakang tapak dengan kunci allen. Gerakkan tapak supaya bolt diposisikan di tengah slot berbentuk silang di tapak.

► **Rajah11:** 1. Kunci allen 2. Bolt 3. Tapak

Condongkan tapak sehingga sudut serong yang dikehendaki diperolehi. Hujung penutup motor menunjukkan sudut serong oleh senggatan. Kemudian ketatkan bolt untuk mengukuhkan tapak.

► **Rajah12:** 1. Hujung 2. Senggatan

## Potong pengosongan depan

► **Rajah13:** 1. Kunci allen 2. Bolt 3. Tapak

Longgarkan bolt di bahagian belakang pada tapak dengan kunci allen dan luncurkan tapak ke belakang. Kemudian ketatkan bolt untuk mengukuhkan tapak.

## Potong

Potong boleh dibuat dengan salah satu daripada dua kaedah "Menggerek lubang permulaan" atau "Memotong dengan menjunam".

## Menggerek lubang permulaan

► **Rajah14**

Untuk memotong dalam tanpa memotong masuk ke dalam dari tepi, pra-gerudi lubang dengan 12 mm atau lebih dalam diameter. Masukkan gergaji jig ke dalam lubang ini untuk memulakan pemotongan anda.

## Pemotongan menjunam

► **Rajah15**

Anda tidak perlu menggerek lubang permulaan atau memotong masuk ke dalam jika anda berhati-hati melakukan seperti berikut.

1. Condongkan alat di pinggir hadapan tapak dengan bilah gergaji jig diletakkan tepat di atas permukaan bahan kerja.
2. Memberikan tekanan ke alat supaya hadapan tepi tapak tidak akan bergerak apabila anda menghidupkan alat dan menurunkan bahagian belakang alat dengan perlahan-lahan.
3. Apabila bilah gergaji jig menembusi bahan kerja, perlahan-lahan menurunkan asas alat ke permukaan bahan kerja.
4. Menyelesaikan pemotongan secara normal.

## Kemasan tepi

► **Rajah16**

Trim tepi atau membuat pelarasan dimensi, menggerakkan bilah gergaji jig ringan di sepanjang tepi pemotongan.

## Potongan logam

Sentiasa menggunakan penyejuk yang sesuai (minyak pelincir pemotong) apabila memotong logam. Kegagalan berbuat demikian akan menyebabkan bilah gergaji jig penting dipakai. Bahagian bawah bahan kerja boleh digriskan bukan menggunakan penyejuk.

## Pengekstrakan habuk

► **Rajah17:** 1. Hos (aksesori pilihan) 2. Pelindung habuk

Operasi pemotongan yang bersih boleh dilakukan dengan menyambung alat ini ke pembersih vakum Makita.

Masukkan hos pembersih vakum ke dalam lubang di belakang alat.

Turunkan pelindung habuk sebelum operasi.

**NOTA:** Pengekstrakan habuk tidak boleh dilakukan apabila membuat potongan serong.

## Pagar belah

### Aksesori pilihan

**⚠️PERHATIAN:** Sentiasa pastikan alat dimatikan dan kartrij bateri dikeluarkan sebelum memasang atau menanggalkan aksesori.

## Potongan lurus

Apabila memotong lebar 160 mm atau kurang berulang kali, penggunaan pagar belah menjamin pemotongan yang cepat, bersih, lurus.

► **Rajah18:** 1. Pagar belah (Pembaris panduan)

Untuk memasang, masukkan pagar belah ke dalam lubang segi empat tepat di sebelah tapak dengan pagar belah menghadap ke bawah. Gelongsor pagar belah ke kedudukan memotong lebar yang dikehendaki, kemudian ketatkan bolt untuk selamatkannya.

► **Rajah19:** 1. Kunci allen 2. Bolt 3. Panduan pagar 4. Pagar belah (Pembaris panduan)

## Pemotongan bulat

Apabila memotong bulatan atau lengkok 170 mm atau kurang dalam radius, pasang pagar bilah seperti berikut.

► **Rajah20:** 1. Pagar belah (Pembaris panduan)

1. Masukkan pagar bilah ke dalam lubang segi empat tepat di sebelah tapak dengan panduan pagar menghadap ke atas.

2. Masukkan panduan pin bulat melalui salah satu daripada dua lubang pada panduan pagar. Skru tombol berulir ke pin untuk kawal pin.

► **Rajah21:** 1. Tombol berulir 2. Panduan pagar 3. Pagar belah (Pembaris panduan) 4. Pin

3. Gelongsor pagar belah ke jejari pemotongan yang dikehendaki, dan ketatkan bolt untuk selamatkan di tempatnya. Kemudian gerakkan tapak sepanjang jalan ke hadapan.

**NOTA:** Sentiasa gunakan bilah gergaji jig No. B-17, B-18, B-26 atau B-27 apabila memotong bulatan atau arka.

## Peranti antiserpihan

*Aksesori pilihan, hanya untuk model tapak aluminium*

**⚠️PERHATIAN:** Peranti antiserpihan tidak boleh digunakan apabila membuat potongan serong.

► **Rajah22:** 1. Tapak 2. Peranti antiserpihan

Untuk potongan bebas dari serpihan, peranti antiserpihan boleh digunakan. Untuk memasang peranti antiserpihan, gerakkan tapak alat sepanjang jalan ke hadapan dan gerakannya dari belakang tapak alat. Apabila anda menggunakan plat penutup, pasang peranti anti-serpihan ke plat penutup.

## Plat penutup

*Aksesori pilihan, hanya untuk model tapak aluminium*

► **Rajah23:** 1. Plat penutup 2. Tapak

Gunakan plat penutup apabila memotong papan lapis hiasan, plastik, dll. Ia melindungi permukaan sensitif atau lembut daripada kerosakan. Pasangkannya di belakang tapak alat.

## PENYELENGGARAAN

**⚠️PERHATIAN:** Sentiasa pastikan alat dimatikan dan kartrij bateri dikeluarkan sebelum cuba menjalankan pemeriksaan atau penyelenggaraan.

**NOTIS:** Jangan gunakan petrol, benzin, pencair, alkohol atau bahan yang serupa. Ia boleh menyebabkan perubahan warna, bentuk atau keretakan.

Untuk mengekalkan KESELAMATAN dan KEBOLEHPERCAYAAN produk, pembaikan, apa-apa penyelenggaraan atau penyesuaian lain perlu dilakukan oleh Kilang atau Pusat Servis Makita yang Diiktiraf, sentiasa gunakan alat ganti Makita.

## AKSESORI PILIHAN

**⚠️PERHATIAN:** Aksesori-aksesori atau lampiran-lampiran ini adalah disyorkan untuk digunakan dengan alat Makita anda yang ditentukan dalam manual ini. Penggunaan mana-mana aksesori-aksesori atau lampiran-lampiran lain mungkin mengakibatkan risiko kecederaan kepada orang. Hanya gunakan aksesori atau lampiran untuk tujuan yang dinyatakannya.

Jika anda memerlukan sebarang bantuan untuk maklumat lebih lanjut mengenai aksesori ini, tanya Pusat Perkhidmatan Makita tempatan anda.

- Bilah gergaji jig
- Kunci allen 3
- Set (garis panduan) pagar belah
- Peranti antiserpihan
- Hos (Untuk pembersih hampagas)
- Plat penutup
- Bateri dan pengecas asli Makita

**NOTA:** Beberapa item dalam senarai mungkin disertakan dalam pakej alat sebagai aksesori standard. Item mungkin berbeza mengikut negara.

## THÔNG SỐ KỸ THUẬT

Kiểu máy:		JV101D
Chiều dài hành trình		18 mm
Số nhát cắt trên một phút		0 - 2.900 min <sup>-1</sup>
Loại lưỡi		Loại B
Công suất cắt tối đa	Gỗ	65 mm
	Thép mềm	2 mm
	Nhôm	4 mm
Điện áp định mức		10,8 V một chiều - tối đa 12 V
Tổng chiều dài (Tùy vào pin)		232 - 250 mm
Khối lượng tịnh		1,8 - 1,9 kg

- Do chương trình nghiên cứu và phát triển liên tục của chúng tôi nên các thông số kỹ thuật trong đây có thể thay đổi mà không cần thông báo trước.
- Các thông số kỹ thuật có thể thay đổi tùy theo từng quốc gia.
- Khối lượng có thể khác nhau tùy thuộc vào (các) phụ kiện, bao gồm cả hộp pin. Tổ hợp nhẹ nhất và nặng nhất, theo Quy trình EPTA 01/2014, được trình bày trong bảng.

### Hộp pin và sạc pin có thể áp dụng

Hộp pin	BL1015 / BL1016 / BL1020B / BL1021B / BL1040B / BL1041B
Bộ sạc	DC10SA / DC10SB / DC10WC / DC10WD / DC18RE

- Một số hộp pin và sạc pin được nêu trong danh sách ở trên có thể không khả dụng tùy thuộc vào khu vực cư trú của bạn.

**⚠ CẢNH BÁO:** Chỉ sử dụng hộp pin và sạc pin được nêu trong danh sách ở trên. Việc sử dụng bất cứ hộp pin và sạc pin nào khác có thể gây ra thương tích và/hoặc hỏa hoạn.

### Ký hiệu

Phản dưới đây cho biết các ký hiệu có thể được dùng cho thiết bị. Đảm bảo rằng bạn hiểu rõ ý nghĩa của các ký hiệu này trước khi sử dụng.



Đọc tài liệu hướng dẫn.



Ni-MH  
Li-ion

Chỉ dành cho các quốc gia EU  
Không tháo bỏ thiết bị điện hoặc bộ pin cùng với các chất thải sinh hoạt!  
Để tuân thủ các Chỉ thị của Châu Âu về thiết bị điện và điện tử thải bỏ, và về pin và ắc quy và pin và ắc quy thải bỏ, và thi hành những chỉ thị này phù hợp với luật lệ quốc gia, các thiết bị điện tử và pin và (các) bộ pin không còn sử dụng được nữa phải được thu nhặt riêng và đưa trở lại một cơ sở tái chế tương thích với môi trường.

### Mục đích sử dụng

Dụng cụ được sử dụng để cưa gỗ, nhựa và vật liệu kim loại. Do phụ kiện mở rộng và lập trình lưỡi cưa, có thể sử dụng dụng cụ cho nhiều mục đích và rất phù hợp với việc cắt theo đường tròn hoặc đường cong.

### Cảnh báo an toàn chung dành cho dụng cụ máy

**⚠ CẢNH BÁO:** Xin đọc tất cả các cảnh báo an toàn, hướng dẫn, minh họa và thông số kỹ thuật đi kèm với dụng cụ máy này. Việc không tuân theo các hướng dẫn được liệt kê dưới đây có thể dẫn đến điện giật, hỏa hoạn và/hoặc thương tích nghiêm trọng.

### Lưu giữ tất cả cảnh báo và hướng dẫn để tham khảo sau này.

Thuật ngữ “dụng cụ máy” trong các cảnh báo đề cập đến dụng cụ máy (có dây) được vận hành bằng nguồn điện chính hoặc dụng cụ máy (không dây) được vận hành bằng pin của bạn.

#### An toàn tại nơi làm việc

1. **Giữ nơi làm việc sạch sẽ và có đủ ánh sáng.**  
Nơi làm việc bừa bộn hoặc tối thường dễ gây ra tai nạn.

2. **Không vận hành dụng cụ máy trong môi trường cháy nổ, ví dụ như môi trường có sự hiện diện của các chất lỏng, khí hoặc bụi dễ cháy.** Các dụng cụ máy tạo tia lửa điện có thể làm bụi hoặc khí bốc cháy.
3. **Giữ trẻ em và người ngoài tránh xa nơi làm việc khi đang vận hành dụng cụ máy.** Sự xao lãng có thể khiến bạn mất khả năng kiểm soát.

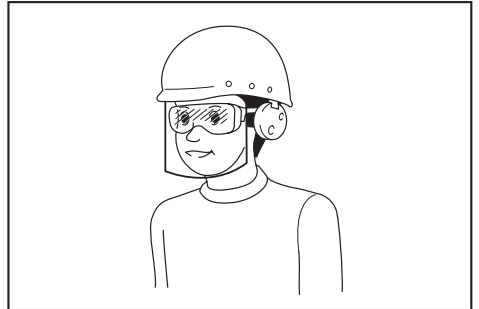
#### An toàn về Điện

1. **Phích cắm của dụng cụ máy phải khớp với ổ cắm. Không được sửa đổi phích cắm theo bất kỳ cách nào. Không sử dụng bất kỳ phích chuyển đổi nào với các dụng cụ máy được nối đất (tiếp đất).** Các phích cắm còn nguyên vẹn và ổ cắm phù hợp sẽ giảm nguy cơ điện giật.
2. **Tránh để cơ thể tiếp xúc với các bề mặt nóng đất hoặc tiếp đất như đường ống, bộ tản nhiệt, bếp ga và tủ lạnh.** Nguy cơ bị điện giật sẽ tăng lên nếu cơ thể bạn được nối đất hoặc tiếp đất.
3. **Không để dụng cụ máy tiếp xúc với mưa hoặc trong điều kiện ẩm ướt.** Nước lọt vào dụng cụ máy sẽ làm tăng nguy cơ điện giật.
4. **Không lạm dụng dây điện. Không được phép sử dụng dây để mang, kéo hoặc tháo phích cắm dụng cụ máy. Giữ dây tránh xa nguồn nhiệt, dầu, các mép sắc hoặc các bộ phận chuyển động.** Dây bị hỏng hoặc bị rối sẽ làm tăng nguy cơ điện giật.
5. **Khi vận hành dụng cụ máy ngoài trời, hãy sử dụng dây kéo dài phù hợp cho việc sử dụng ngoài trời.** Việc dùng dây phù hợp cho việc sử dụng ngoài trời sẽ giảm nguy cơ điện giật.
6. **Nếu bắt buộc phải vận hành dụng cụ máy ở nơi ẩm ướt, hãy sử dụng nguồn cấp điện được bảo vệ bằng thiết bị ngắt dòng điện rò (RCD).** Việc sử dụng RCD sẽ làm giảm nguy cơ điện giật.
7. **Các dụng cụ máy có thể tạo ra từ trường điện (EMF) có hại cho người dùng.** Tuy nhiên, người dùng máy trợ tim và những thiết bị y tế tương tự khác nên liên hệ với nhà sản xuất thiết bị và/hoặc bác sỹ để được tư vấn trước khi vận hành dụng cụ này.

#### An toàn Cá nhân

1. **Luôn tỉnh táo, quan sát những việc bạn đang làm và sử dụng những phán đoán theo kinh nghiệm khi vận hành dụng cụ máy. Không sử dụng dụng cụ máy khi bạn đang mệt mỏi hoặc chịu ảnh hưởng của ma túy, rượu hay thuốc.** Chỉ một khoảnh khắc không tập trung khi đang vận hành dụng cụ máy cũng có thể dẫn đến thương tích cá nhân nghiêm trọng.
2. **Sử dụng thiết bị bảo hộ cá nhân. Luôn đeo thiết bị bảo vệ mắt.** Các thiết bị bảo hộ như mũ bảo hộ chống bụi, giày an toàn chống trượt, mũ bảo hộ hay thiết bị bảo vệ thính giác được sử dụng trong các điều kiện thích hợp sẽ giúp giảm thương tích cá nhân.
3. **Tránh vô tình khởi động dụng cụ máy. Đảm bảo công tắc ở vị trí off (tắt) trước khi nối nguồn điện và/hoặc bộ pin, cắm hoặc di chuyển dụng cụ máy.** Việc di chuyển dụng cụ máy khi đang đặt ngón tay ở vị trí công tắc hoặc cấp điện cho dụng cụ máy đang bật thường dễ gây ra tai nạn.

4. **Tháo tất cả các khóa hoặc cờ lê điều chỉnh trước khi bật dụng cụ máy.** Việc cờ lê hoặc khóa vẫn còn gắn vào bộ phận quay của dụng cụ máy có thể dẫn đến thương tích cá nhân.
5. **Không vớ quá cao. Luôn giữ thẳng bằng tốt và có chỗ để chân phù hợp.** Điều này cho phép điều khiển dụng cụ máy tốt hơn trong những tình huống bất ngờ.
6. **Ăn mặc phù hợp. Không mặc quần áo rộng hay đeo đồ trang sức. Giữ tóc và quần áo tránh xa các bộ phận chuyển động.** Quần áo rộng, đồ trang sức hay tóc dài có thể mắc vào các bộ phận chuyển động.
7. **Nếu các thiết bị được cung cấp để kết nối các thiết bị thu gom và hút bụi, hãy đảm bảo chúng được kết nối và sử dụng hợp lý.** Việc sử dụng thiết bị thu gom bụi có thể làm giảm những mối nguy hiểm liên quan đến bụi.
8. **Không vì quen thuộc do thường xuyên sử dụng các dụng cụ mà cho phép bạn trở nên tự mãn và bỏ qua các nguyên tắc an toàn dụng cụ.** Một hành động bất cẩn có thể gây ra thương tích nghiêm trọng trong một phần của một giây.
9. **Luôn luôn mang kính bảo hộ để bảo vệ mắt khỏi bị thương khi đang sử dụng các dụng cụ máy. Kính bảo hộ phải tuân thủ ANSI Z87.1 ở Mỹ, EN 166 ở Châu Âu, hoặc AS/NZS 1336 ở Úc/New Zealand. Tại Úc/New Zealand, theo luật pháp, bạn cũng phải mang mặt nạ che mặt để bảo vệ mặt.**



**Trách nhiệm của chủ lao động là bắt buộc người vận hành dụng cụ và những người khác trong khu vực làm việc cạnh đó phải sử dụng các thiết bị bảo hộ an toàn thích hợp.**

#### Sử dụng và bảo quản dụng cụ máy

1. **Không dùng lực đối với dụng cụ máy. Sử dụng đúng dụng cụ máy cho công việc của bạn.** Sử dụng đúng dụng cụ máy sẽ giúp tiết kiệm công việc tốt hơn và an toàn hơn theo giá trị định mức được thiết kế của dụng cụ máy đó.
2. **Không sử dụng dụng cụ máy nếu công tắc không bật và tắt được dụng cụ máy đó.** Mọi dụng cụ máy không thể điều khiển được bằng công tắc đều rất nguy hiểm và phải được sửa chữa.

- Rút phích cắm ra khỏi nguồn điện và/hoặc tháo kết nối bộ pin khỏi dụng cụ máy, nếu có thể tháo rời trước khi thực hiện bất kỳ công việc điều chỉnh, thay đổi phụ tùng hay cất giữ dụng cụ máy nào.** Những biện pháp an toàn phòng ngừa này sẽ giảm nguy cơ vô tình khởi động dụng cụ máy.
- Cất giữ các dụng cụ máy không sử dụng ngoài tầm với của trẻ em và không cho bất kỳ người nào không có hiểu biết về dụng cụ máy hoặc các hướng dẫn này vận hành dụng cụ máy.** Dụng cụ máy sẽ rất nguy hiểm nếu được sử dụng bởi những người dùng chưa qua đào tạo.
- Bảo dưỡng dụng cụ máy và các phụ kiện.** Kiểm tra tình trạng lệch trục hoặc bộ kẹp của các bộ phận chuyển động, hiện tượng nứt vỡ của các bộ phận và mọi tình trạng khác mà có thể ảnh hưởng đến hoạt động của dụng cụ máy. Nếu có hỏng hóc, hãy sửa chữa dụng cụ máy trước khi sử dụng. Nhiều tai nạn xảy ra là do không bảo quản tốt dụng cụ máy.
- Luôn giữ cho dụng cụ cất được sắc bén và sạch sẽ.** Những dụng cụ cất được bảo quản tốt có mức cất sắc sẽ ít bị kẹt hơn và dễ điều khiển hơn.
- Sử dụng dụng cụ máy, phụ tùng và đầu dụng cụ cắt, v.v... theo các hướng dẫn này, có tính đến điều kiện làm việc và công việc được thực hiện.** Việc sử dụng dụng cụ máy cho các công việc khác với công việc dự định có thể gây nguy hiểm.
- Giữ tay cầm và bề mặt tay cầm khô, sạch, không dính dầu và mỡ.** Tay cầm trơn trượt và bề mặt tay cầm không cho phép xử lý an toàn và kiểm soát dụng cụ trong các tình huống bất ngờ.
- Khi sử dụng dụng cụ, không được đi giày tay lao động bằng vải, có thể bị vướng.** Việc giày tay lao động bằng vải vướng vào các bộ phận chuyển động có thể gây ra thương tích cá nhân.

- Sử dụng và bảo quản dụng cụ dùng pin**
- Chỉ sạc pin lại với bộ sạc do nhà sản xuất quy định.** Bộ sạc phù hợp với một loại bộ pin này có thể gây ra nguy cơ hỏa hoạn khi được dùng cho một bộ pin khác.
  - Chỉ sử dụng các dụng cụ máy với các bộ pin được quy định cụ thể.** Việc sử dụng bất cứ bộ pin nào khác có thể gây ra thương tích và hỏa hoạn.
  - Khi không sử dụng bộ pin, hãy giữ tránh xa các đồ vật khác bằng kim loại, chẳng hạn như kẹp giấy, tiền xu, chìa khóa, đinh, ốc vít hoặc các vật nhỏ bằng kim loại mà có thể làm nối tắt các đầu cực pin.** Các đầu cực pin bị đoản mạch có thể gây cháy hoặc hỏa hoạn.
  - Trong điều kiện sử dụng quá mức, pin có thể bị cháy nóng; hãy tránh tiếp xúc.** Nếu vô tình tiếp xúc với pin bị cháy nước, hãy rửa sạch bằng nước. Nếu dung dịch từ pin tiếp xúc với mắt, cần đi khám bác sĩ thêm. Dung dịch chảy ra từ pin có thể gây rát da hoặc bỏng.
  - Không sử dụng bộ pin hoặc dụng cụ bị hư hỏng hoặc đã bị sửa đổi.** Pin đã bị hư hỏng hoặc đã bị sửa đổi có thể hành động theo cách không thể đoán trước dẫn đến cháy, nổ hoặc nguy cơ chấn thương.

- Không để bộ pin hoặc dụng cụ tiếp xúc với lửa hoặc nhiệt độ quá cao.** Tiếp xúc với lửa hoặc nhiệt độ trên 130 °C có thể gây ra cháy nổ.
- Làm theo tất cả các hướng dẫn sạc pin và không được sạc bộ pin hoặc dụng cụ vượt giới hạn nhiệt độ quy định trong hướng dẫn.** Sạc pin không đúng hoặc ở nhiệt độ vượt giới hạn nhiệt độ có thể gây hư hỏng cho pin và làm tăng nguy cơ cháy.

#### Bảo dưỡng

- Đề nghị viên sửa chữa đủ trình độ bảo dưỡng dụng cụ máy của bạn và chỉ sử dụng các bộ phận thay thế đồng nhất.** Việc này sẽ đảm bảo duy trì được độ an toàn của dụng cụ máy.
- Không bao giờ sử dụng bộ pin đã hỏng.** Dịch vụ bảo hành bộ pin chỉ nên thực hiện bởi nhà sản xuất hoặc các nhà cung cấp dịch vụ được ủy quyền.
- Tuân theo hướng dẫn dành cho việc bôi trơn và thay phụ tùng.**

### Các cảnh báo an toàn cho máy cưa lọng chạy pin

- Cầm dụng cụ máy bằng bề mặt kẹp cách điện thực hiện một thao tác trong đó phụ kiện cắt có thể tiếp xúc với dây dẫn kín.** Phụ kiện cắt tiếp xúc với dây dẫn "có điện" có thể khiến các bộ phận kim loại bị hở của dụng cụ máy "có điện" và làm cho người vận hành bị điện giật.
- Dùng kẹp hoặc làm theo cách khác để giữ chặt và đỡ phôi gia công trên bề vững chắc.** Giữ phôi gia công bằng tay hoặc tỳ vào cơ thể sẽ làm phôi không chắc chắn và có thể dẫn đến mất kiểm soát.
- Luôn sử dụng kính bảo hộ hoặc kính an toàn.** Kính mắt thông thường hoặc kính râm KHÔNG phải là kính an toàn.
- Tránh cắt đinh.** Kiểm tra phôi xem có đinh không và tháo đinh trước khi vận hành.
- Không cắt phôi có kích thước quá lớn.**
- Kiểm tra khoảng trống phù hợp cách phôi gia công trước khi cắt để lưỡi cưa không cắt vào sàn, bàn gia công, v.v...**
- Cầm chắc dụng cụ.**
- Đảm bảo lưỡi cưa không tiếp xúc với phôi gia công trước khi bật công tắc.**
- Giữ tay tránh xa các bộ phận chuyển động.**
- Không để mặc dụng cụ hoạt động.** Chỉ vận hành dụng cụ khi cầm trên tay.
- Luôn tắt nguồn và đợi lưỡi cưa dừng hẳn trước khi tháo lưỡi cưa ra khỏi phôi gia công.**
- Không chạm vào lưỡi cưa hay phôi gia công ngay sau khi vận hành; chúng có thể cực nóng và có thể gây bỏng da.**
- Không vận hành dụng cụ không tải một cách không cần thiết.**
- Một số vật liệu có thể chứa hóa chất độc hại.** Phải cẩn trọng tránh hít phải bụi và để tiếp xúc với da. Tuân theo chỉ dẫn an toàn của nhà cung cấp vật liệu.



15. Luôn luôn sử dụng đúng mặt nạ chống bụi/ khẩu trang đối với loại vật liệu và ứng dụng bạn đang làm việc.

## LƯU GIỮ CÁC HƯỚNG DẪN NÀY.

**⚠CẢNH BÁO:** KHÔNG vì đã thoải mái hay quen thuộc với sản phẩm (có được do sử dụng nhiều lần) mà không tuân thủ nghiêm ngặt các quy định về an toàn dành cho sản phẩm này. VIỆC DÙNG SAI hoặc không tuân theo các quy định về an toàn được nêu trong tài liệu hướng dẫn này có thể dẫn đến thương tích cá nhân nghiêm trọng.

### Hướng dẫn quan trọng về an toàn dành cho hộp pin

1. Trước khi sử dụng hộp pin, hãy đọc kỹ tất cả các hướng dẫn và dấu hiệu cảnh báo trên (1) bộ sạc pin, (2) pin và (3) sản phẩm sử dụng pin.
2. Không tháo rời hoặc làm thay đổi hộp pin. Việc này có thể dẫn đến hỏa hoạn, quá nhiệt hoặc nổ.
3. Nếu thời gian vận hành ngắn hơn quá mức, hãy ngừng vận hành ngay lập tức. Điều này có thể dẫn đến rủi ro quá nhiệt, có thể gây bỏng và thậm chí là nổ.
4. Nếu chất điện phân rơi vào mắt, hãy rửa sạch bằng nước sạch và đến cơ sở y tế ngay lập tức. Chất này có thể khiến bạn giảm thị lực.
5. Không để hộp pin ở tình trạng đoản mạch:
  - (1) Không chạm vào cực pin bằng vật liệu dẫn điện.
  - (2) Tránh cất giữ hộp pin trong hộp có các vật kim loại khác như đinh, tiền xu, v.v...
  - (3) Không được để hộp pin tiếp xúc với nước hoặc mưa.Đoản mạch pin có thể gây ra dòng điện lớn, quá nhiệt, có thể gây bỏng và thậm chí là hồng hóc.
6. Không cất giữ cũng như sử dụng dụng cụ và hộp pin ở nơi nhiệt độ có thể lên tới hoặc vượt quá 50 °C (122 °F).
7. Không đốt hộp pin ngay cả khi hộp pin đã bị hư hại nặng hoặc hư hỏng hoàn toàn. Hộp pin có thể nổ khi tiếp xúc với lửa.
8. Không đóng đinh, cắt, nghiền nát, ném, làm rơi hộp pin hoặc va vật cứng vào hộp pin. Làm như thế có thể dẫn đến hỏa hoạn, quá nhiệt hoặc nổ.
9. Không sử dụng pin đã hỏng.
10. Pin nén lithium-ion là đối tượng có yêu cầu bắt buộc theo Luật Hàng hoá Nguy hiểm.  
Đối với vận tải thương mại, ví dụ như vận tải do bên thứ ba, đại lý giao nhận, thì yêu cầu đặc biệt về đóng gói và nhãn ghi phải được giám sát.  
Để chuẩn bị cho mặt hàng cần vận chuyển, cần phải tham khảo ý kiến chuyên gia về vật liệu nguy hiểm. Nếu được, vui lòng tuân thủ các quy định quốc gia chi tiết hơn.  
Buộc hoặc niêm phong các tiếp điểm mở và đóng gói pin theo cách đó để nó không thể di chuyển trong bao bì.

11. Khi rút bỏ hộp pin, hãy tháo chúng khỏi dụng cụ và thả bỏ ở nơi an toàn. Phải tuân thủ theo các quy định của địa phương liên quan đến việc thải bỏ pin.
12. Chỉ sử dụng pin cho các sản phẩm Makita chỉ định. Lắp pin vào sản phẩm không thích hợp có thể gây ra hỏa hoạn, quá nhiệt, nổ, hoặc rò chất điện phân.
13. Nếu dụng cụ không được sử dụng trong một thời gian dài, cần phải tháo pin ra khỏi dụng cụ.
14. Trong và sau khi sử dụng, hộp pin có thể bị nóng, có thể gây bỏng hoặc bỏng ở nhiệt độ thấp. Chú ý xử lý hộp pin nóng.
15. Không chạm vào điện cực của dụng cụ ngay sau khi sử dụng vì điện cực đủ nóng để gây bỏng.
16. Không để vận bào, bụi hoặc đất bám vào các điện cực, lỗ và rãnh của hộp pin. Việc này có thể dẫn đến hiệu suất kém hoặc hồng hóc dụng cụ hay hộp pin.
17. Trừ khi dụng cụ hỗ trợ sử dụng gần đường dây điện cao thế, không sử dụng hộp pin gần đường dây điện cao thế. Việc này có thể dẫn đến trực tiếp hoặc hồng hóc dụng cụ hay hộp pin.
18. Giữ pin tránh xa trẻ em.

## LƯU GIỮ CÁC HƯỚNG DẪN NÀY.

**⚠THẬN TRỌNG:** Chỉ sử dụng pin Makita chính hãng. Việc sử dụng pin không chính hãng Makita, hoặc pin đã được sửa đổi, có thể dẫn đến nổ pin gây ra cháy, thương tích và thiệt hại cá nhân. Nó cũng sẽ làm mất hiệu lực bảo hành của Makita dành cho dụng cụ của Makita và bộ sạc.

## Mẹo duy trì tuổi thọ tối đa cho pin

1. Sạc hộp pin trước khi pin bị xả điện hoàn toàn. Luôn dừng việc vận hành dụng cụ và sạc pin khi bạn nhận thấy công suất dụng cụ bị giảm.
2. Không được phép sạc lại một hộp pin đã được sạc đầy. Sạc quá mức sẽ làm giảm tuổi thọ của pin.
3. Sạc pin ở nhiệt độ phòng 10°C - 40°C. Để cho hộp pin nóng nguội lại dần trước khi sạc pin.
4. Khi không sử dụng hộp pin, hãy tháo hộp pin ra khỏi dụng cụ hoặc bộ sạc.



# MÔ TẢ CHỨC NĂNG

**⚠ THẬN TRỌNG:** Luôn đảm bảo rằng đã tắt dụng cụ và tháo hộp pin ra trước khi thực hiện việc điều chỉnh hoặc kiểm tra chức năng trên dụng cụ.

## Lắp hoặc tháo hộp pin

**⚠ THẬN TRỌNG:** Luôn tắt dụng cụ trước khi lắp hoặc tháo hộp pin.

**⚠ THẬN TRỌNG:** Giữ dụng cụ và hộp pin thật chắc khi lắp hoặc tháo hộp pin. Không giữ dụng cụ và hộp pin thật chắc có thể làm trượt chúng khỏi tay và làm hư hỏng dụng cụ và hộp pin hoặc gây thương tích cá nhân.

► **Hình1:** 1. Chỉ báo màu đỏ 2. Nút 3. Hộp pin

Để tháo hộp pin, vừa trượt pin ra khỏi dụng cụ vừa đẩy trượt nút ở phía trước hộp pin.

Để lắp hộp pin, đặt thẳng hàng phần chốt nhỏ ra của hộp pin vào phần rãnh nằm trên vỏ và trượt hộp pin vào vị trí. Đưa hộp pin vào cho đến khi chốt khóa vào đúng vị trí với một tiếng “cách” nhẹ. Nếu bạn vẫn còn nhìn thấy chỉ báo màu đỏ ở mặt trên của nút, điều đó có nghĩa là chốt vẫn chưa được khóa hoàn toàn.

**⚠ THẬN TRỌNG:** Luôn lắp hộp pin khớp hoàn toàn vào vị trí cho đến khi không thể nhìn thấy chỉ báo màu đỏ. Nếu không, hộp pin có thể vô tình rơi ra khỏi dụng cụ, gây thương tích cho bạn hoặc người khác xung quanh.

**⚠ THẬN TRỌNG:** Không được dùng sức lắp hộp pin. Nếu hộp pin không nhẹ nhàng trượt vào vị trí, có nghĩa là pin vẫn chưa được lắp đúng.

## Hệ thống bảo vệ pin

Dụng cụ này được trang bị hệ thống bảo vệ pin. Hệ thống này sẽ tự động ngắt nguồn điện đến động cơ để kéo dài tuổi thọ pin.

Dụng cụ sẽ tự động dừng khi đang vận hành nếu dụng cụ và/hoặc pin ở một trong những trường hợp sau đây:

### Quá tải:

Dụng cụ được vận hành theo cách gây ra dòng điện cao bất thường.

Trong trường hợp này, hãy tắt dụng cụ và ngừng ứng dụng làm cho dụng cụ trở nên quá tải. Sau đó bật dụng cụ lên để khởi động lại.

Nếu dụng cụ không khởi động, pin đang bị quá nhiệt. Trong tình huống này, hãy để pin nguội trở lại trước khi bật dụng cụ lại.

### Điện thế pin thấp:









Dung lượng pin còn lại quá thấp và dụng cụ sẽ không hoạt động. Nếu bạn bật dụng cụ, động cơ tiếp tục chạy lại nhưng sẽ sớm ngừng. Trong tình huống này, hãy tháo và sạc pin lại.

## Chỉ báo dung lượng pin còn lại

**Chỉ dành cho hộp pin có đèn chỉ báo**

► **Hình2:** 1. Các đèn chỉ báo 2. Nút Check (kiểm tra)

Ấn nút check (kiểm tra) trên hộp pin để chỉ báo dung lượng pin còn lại. Các đèn chỉ báo bật sáng lên trong vài giây.

Các đèn chỉ báo		Dung lượng còn lại
Bật sáng	Tắt	
		75% đến 100%
		50% đến 75%
		25% đến 50%
		0% đến 25%

**LƯU Ý:** Tùy thuộc vào các điều kiện sử dụng và nhiệt độ xung quanh, việc chỉ báo có thể khác biệt một chút so với dung lượng thực sự.

## Lựa chọn thao tác cắt

► **Hình3:** 1. Cần chuyển đổi thao tác cắt

Dụng cụ này có thể được vận hành với thao tác cắt đường xoay vòng hoặc đường thẳng (lên và xuống). Thao tác cắt đường xoay vòng đẩy lưỡi cưa lệch lên trên hành trình cắt và làm tăng tốc độ cắt đáng kể.

Để thay đổi thao tác cắt, chỉ cần xoay cần chuyển đổi thao tác cắt đến vị trí thao tác cắt mong muốn. Tham khảo bảng để chọn thao tác cắt phù hợp.

Vị trí	Thao tác cắt	Các ứng dụng
0	Thao tác cắt đường thẳng	Để cắt thép mềm, thép không gỉ và nhựa.
		Để làm sạch vết cắt gỗ và ván ép.
I	Thao tác cắt đường xoay vòng nhỏ	Để cắt thép mềm, nhôm và gỗ cứng.
II	Thao tác cắt đường xoay vòng vừa	Để cắt gỗ và ván ép.
		Để cắt nhanh nhôm và thép mềm.
III	Thao tác cắt đường xoay vòng lớn	Để cắt nhanh gỗ và ván ép.

## Hoạt động công tắc

**⚠ THẬN TRỌNG:** Trước khi lắp hộp pin vào dụng cụ, luôn luôn kiểm tra xem cần khởi động công tắc có hoạt động bình thường hay không và tắt về vị trí “OFF” (TẮT) khi nhả ra.

**⚠ THẬN TRỌNG:** Khi không vận hành dụng cụ, nhà nút nhà khóa từ bên hông A để khóa cần khởi động công tắc vào vị trí OFF (TẮT).

► **Hình4:** 1. Nút Nhà khóa 2. Cần khởi động công tắc

Để ngăn ngừa cần khởi động công tắc vô tình bị kéo, dụng cụ được trang bị nút nhà khóa.

Để khởi động dụng cụ, nhà nút nhà khóa và kéo cần khởi động công tắc từ bên hông B.

Tốc độ của dụng cụ được tăng lên bằng cách tăng áp lực lên cần khởi động công tắc. Nhà cần khởi động công tắc ra để dừng. Sau khi sử dụng, luôn nhấn nút nhà khóa từ bên hông A.

## LẮP RÁP

**⚠ THẬN TRỌNG:** Luôn đảm bảo rằng đã tắt dụng cụ và tháo hộp pin ra trước khi thực hiện bất cứ thao tác nào trên dụng cụ.

## Lắp đặt hoặc tháo lưỡi cưa lọng

**⚠ THẬN TRỌNG:** Luôn lau sạch tất cả phoi hoặc ngoại vật bám vào lưỡi cưa lọng và/hoặc bệ đỡ lưỡi. Không làm như vậy có thể khiến cho lưỡi cưa được siết không đủ chặt dẫn đến thương tích cá nhân nghiêm trọng.

**⚠ THẬN TRỌNG:** Không chạm vào lưỡi cưa lọng hoặc phôi gia công ngay sau khi vận hành. Chúng có thể rất nóng và có thể gây bỏng da.

**⚠ THẬN TRỌNG:** Luôn luôn giữ lưỡi cưa lọng thật chặt. Vận lưỡi cưa không đủ chặt có thể gây ra hỏng lưỡi cưa hoặc thương tích cá nhân nghiêm trọng.

**⚠ THẬN TRỌNG:** Chỉ sử dụng lưỡi cưa lọng loại B. Sử dụng lưỡi cưa khác loại B có thể khiến cho lưỡi cưa được siết không đủ chặt dẫn đến thương tích cá nhân nghiêm trọng.

Để lắp lưỡi cưa lọng, hãy nói lỏng bu-lông ngược chiều kim đồng hồ trên bệ đỡ lưỡi cưa lọng bằng cờ lê sáu cạnh.

► **Hình5:** 1. Bệ đỡ lưỡi cưa lọng 2. Bu-lông 3. Cờ lê sáu cạnh

Khi rằng lưỡi cưa hướng về trước, hãy lắp lưỡi cưa lọng vào bệ đỡ lưỡi cưa lọng hết mức có thể. Đảm bảo rằng cạnh sau của lưỡi cưa vừa khít vào trục xoay. Sau đó vận chặt bu-lông theo chiều kim đồng hồ để giữ chặt lưỡi cưa.

► **Hình6:** 1. Bu-lông 2. Trục xoay 3. Lưỡi cưa lọng

Để tháo lưỡi cưa lọng, thực hiện ngược lại quy trình lắp.

**LƯU Ý:** Thành thạo bôi trơn trục xoay.

## Cắt giữ cờ lê sáu cạnh

► **Hình7:** 1. Móc treo 2. Cờ lê sáu cạnh

Khi không sử dụng, cắt giữ cờ lê sáu cạnh như được minh họa trong hình để tránh làm mất. Đầu tiên, lắp cờ lê sáu cạnh vào lỗ. Sau đó đẩy sâu vào móc cho đến khi nó bị khóa lại.

## Tám chắn bụi

**⚠ THẬN TRỌNG:** Luôn mang kính bảo hộ ngay cả khi vận hành dụng cụ có tám chắn bụi hạ xuống.

Hạ tám chắn bụi xuống để tránh mặt vụn bắn ra. Tuy nhiên, khi thực hiện cắt xiên góc, hãy nâng nó lên hết cỡ.

► **Hình8:** 1. Tám chắn bụi

## VẬN HÀNH

**⚠ THẬN TRỌNG:** Luôn giữ để ngang bằng với phôi gia công. Không làm như vậy có thể gây vỡ nứt lưỡi cưa lọng, dẫn đến thương tích nghiêm trọng.

**⚠ THẬN TRỌNG:** Đưa dụng cụ về trước thật chậm khi cắt đường cong hoặc xoay vòng. Áp mạnh lên dụng cụ có thể làm cho bề mặt cắt bị nghiêng và làm hỏng lưỡi cưa lọng.

► **Hình9:** 1. Đường cắt 2. Đế

Bật dụng cụ lên mà không để lưỡi cưa lọng bị tiếp xúc và đợi đến khi lưỡi cưa đạt tốc độ tối đa. Sau đó đặt phần đế lên phôi gia công và nhẹ nhàng di chuyển dụng cụ về phía trước dọc theo đường cắt đã đánh dấu trước đó.

## Cắt xiên góc

**⚠ THẬN TRỌNG:** Luôn đảm bảo rằng đã tắt dụng cụ và tháo hộp pin ra trước khi nghiêng phần đế.

**⚠ THẬN TRỌNG:** Nâng tám chắn bụi lên hết mức trước khi thực hiện cắt xiên góc.

Với phần đế bị nghiêng, bạn có thể thực hiện cắt xiên góc ở bất kỳ góc nào giữa 0° và 45° (trái hoặc phải).

► **Hình10**

Nới lỏng bu-lông ở phía sau để bằng cờ lê sáu cạnh. Di chuyển phần đế sao cho bu-lông được đặt ở vị trí trung tâm của rãnh hình đầu chéo bên trong đế.

► **Hình11:** 1. Cờ lê sáu cạnh 2. Bu-lông 3. Đế

Nghiêng phần đế cho đến khi đạt được góc xiên mong muốn. Cạnh vỏ ngoài động cơ chỉ ra góc xiên nhờ vạch chia độ. Sau đó vận chặt bu-lông để giữ phần đế.

► **Hình12:** 1. Cạnh 2. Vạch chia độ

## Cắt ngang về trước

► **Hình13:** 1. Cờ lê sáu cạnh 2. Bu-lông 3. Đế

Nới lỏng bu-lông trên phía sau đế bằng cờ lê sáu cạnh và trượt đế hết mức ra sau. Sau đó vận chặt bu-lông để giữ phần đế.

## Phần cắt rời

Có thể thực hiện các phần cắt rời bằng cả hai phương pháp “Khoan lỗ khởi đầu” hoặc “Cắt chìm”.

## Khoan lỗ khởi đầu

► **Hình14**

Đổi với phần cắt rời bên trong mà không cần cắt dẫn vào từ mép, khoan trước một lỗ khởi đầu có đường kính 12 mm hoặc hơn. Lắp lưỡi cưa lọng vào lỗ này để bắt đầu cắt.

## Cắt chìm

► **Hình15**

Bạn không cần khoan lỗ khởi đầu hoặc thực hiện cắt dẫn vào nếu bạn cẩn thận làm như sau.

1. Nghiêng dụng cụ lên trên cạnh phía trước của đế với điểm lưỡi cưa lọng đặt ở vị trí ngay phía trên bề mặt phôi gia công.
2. Dùng lực lên dụng cụ sao cho cạnh phía trước của đế sẽ không di chuyển khi bạn bật dụng cụ và nhẹ nhàng hạ phần đầu phía sau của dụng cụ xuống.
3. Khi lưỡi cưa lọng chọc thủng phôi gia công, từ từ hạ đế dụng cụ xuống trên bề mặt phôi gia công.
4. Hoàn tất việc cắt theo cách thông thường.

## Cạnh hoàn thiện

► **Hình16**

Đề cắt các cạnh hoặc thực hiện điều chỉnh kích thước, chạy nhẹ lưỡi cưa lọng dọc theo mép cắt.

## Cắt kim loại

Luôn sử dụng chất làm mát phù hợp (dầu làm nguội) khi cắt kim loại. Không làm như vậy sẽ làm lưỡi cưa lọng bị mòn đáng kể. Mặt dưới của phôi gia công có thể được bôi trơn thay vì sử dụng chất làm mát.

## Hệ thống xử lý bụi

► **Hình17:** 1. Ống nối (phụ kiện tùy chọn) 2. Tấm chắn bụi

Có thể thực hiện các thao tác cắt sạch bằng cách kết nối dụng cụ này vào máy hút bụi Makita.

Lắp ống hút của máy hút bụi vào lỗ ở phía trước dụng cụ.

Hạ thấp tấm chắn bụi trước khi vận hành.

**LƯU Ý:** Hệ thống xử lý bụi không thể hoạt động được khi thực hiện cắt xiên góc.

## Thanh cũ

*Phụ kiện tùy chọn*

**▲THẬN TRỌNG:** Luôn đảm bảo rằng đã tắt dụng cụ và tháo hộp pin ra trước khi lắp hoặc tháo phụ kiện.

## Cắt thẳng

Khi cắt liên tục với chiều rộng từ 160 mm trở xuống, sử dụng thanh cũ sẽ đảm bảo cắt thẳng, sạch, nhanh.

► **Hình18:** 1. Thanh cũ (Thước dẫn)

Đề lắp đặt, lắp thanh cũ vào lỗ hình chữ nhật nằm bên hông của phần đế với tấm chắn dẫn hướng nằm hướng xuống. Trượt thanh cũ đến vị trí có chiều rộng cắt mong muốn, sau đó vận chặt bu-lông để giữ thanh cũ.

► **Hình19:** 1. Cờ lê sáu cạnh 2. Bu-lông 3. Tấm chắn dẫn hướng 4. Thanh cũ (Thước dẫn)

## Cắt đường tròn

Khi cắt đường tròn hoặc đường vòng cung có bán kính từ 170 mm trở xuống, hãy lắp đặt thanh cũ như sau.

► **Hình20:** 1. Thanh cũ (Thước dẫn)

1. Lắp thanh cũ vào lỗ hình chữ nhật nằm bên hông của phần đế với tấm chắn dẫn hướng nằm hướng lên.
2. Lắp chốt thanh dẫn vòng tròn qua cả hai lỗ trên tấm chắn dẫn hướng. Bật vít nôm có ren lên chốt để giữ chốt.

► **Hình21:** 1. Nôm có ren 2. Tấm chắn dẫn hướng 3. Thanh cũ (Thước dẫn) 4. Chốt

3. Trượt thanh cũ đến bán kính cắt mong muốn, và vận chặt bu-lông để giữ chặt thanh cũ vào đúng vị trí. Sau đó di chuyển phần đế về trước hết mức có thể.

**LƯU Ý:** Luôn sử dụng lưỡi cưa lọng Số B-17, B-18, B-26 hoặc B-27 khi cắt đường tròn hoặc đường vòng cung.

## Thiết bị chống mảnh vụn

*Phụ kiện tùy chọn, chỉ dành cho kiểu máy có đế bằng nhôm*

**▲THẬN TRỌNG:** Thiết bị chống mảnh vụn không thể sử dụng được khi thực hiện cắt xiên góc.

► **Hình22:** 1. Đế 2. Thiết bị chống mảnh vụn

Đề cắt không có mảnh vụn, có thể sử dụng thiết bị chống mảnh vụn. Đề lắp đặt thiết bị chống mảnh vụn, di chuyển phần đế của dụng cụ về trước hết mức và cố định nó từ đằng sau đế dụng cụ.

Khi bạn sử dụng nắp che, hãy lắp đặt thiết bị chống mảnh vụn vào nắp che.

## Nắp che

*Phụ kiện tùy chọn, chỉ dành cho kiểu máy có đế bằng nhôm*

► **Hình23:** 1. Nắp che 2. Đế

Sử dụng nắp che khi cắt tấm trang trí, nhựa, v.v... Nó giúp bảo vệ các bề mặt nhạy cảm hoặc mỏng mảnh khỏi bị hư hại. Cố định nó từ đằng sau đế dụng cụ.

## BẢO TRÌ

**⚠ THẬN TRỌNG:** Hãy luôn chắc chắn rằng dụng cụ đã được tắt và hộp pin đã được tháo ra trước khi cố gắng thực hiện việc kiểm tra hay bảo dưỡng.

**CHÚ Ý:** Không được phép dùng xăng, ét xăng, dung môi, cồn hoặc hóa chất tương tự. Có thể xảy ra hiện tượng mất màu, biến dạng hoặc nứt vỡ.

Để đảm bảo ĐỘ AN TOÀN và ĐỘ TIN CẬY của sản phẩm, việc sửa chữa hoặc bất cứ thao tác bảo trì, điều chỉnh nào đều phải được thực hiện bởi các Trung tâm Dịch vụ Nhà máy hoặc Trung tâm được Makita Ủy quyền và luôn sử dụng các phụ tùng thiết bị thay thế của Makita.

## PHỤ KIỆN TỰY CHỌN

**⚠ THẬN TRỌNG:** Các phụ kiện hoặc phụ tùng gắn thêm này được khuyến cáo sử dụng với dụng cụ Makita của bạn theo như quy định trong hướng dẫn này. Việc sử dụng bất cứ phụ kiện hoặc phụ tùng gắn thêm nào khác đều có thể gây ra rủi ro thương tích cho người. Chỉ sử dụng phụ kiện hoặc phụ tùng gắn thêm cho mục đích đã quy định sẵn của chúng.

Nếu bạn cần bất kỳ sự hỗ trợ nào để biết thêm chi tiết về các phụ tùng này, hãy hỏi Trung tâm Dịch vụ của Makita tại địa phương của bạn.

- Các lưỡi cưa lọng
- Khóa lục giác 3
- Bộ thanh cữ (thước dẫn)
- Thiết bị chống mảnh vụn
- Ống nối (Cho máy hút bụi)
- Nắp che
- Pin và bộ sạc chính hãng của Makita

**LƯU Ý:** Một số mục trong danh sách có thể được bao gồm trong gói dụng cụ làm phụ kiện tiêu chuẩn. Các mục này ở mỗi quốc gia có thể khác nhau.

## ข้อมูลจำเพาะ

รุ่น:	JV101D	
ระยะชักใบมีด	18 mm	
อัตราการชักใบมีดต่อนาที	0 - 2,900 min <sup>-1</sup>	
ประเภทใบเลื่อย	ประเภท B	
ความสามารถในการตัดสูงสุด	ไม้	65 mm
	เหล็กเหนียว	2 mm
	อลูมิเนียม	4 mm
แรงดันไฟฟ้าสูงสุด	D.C. 10.8 V - 12 V สูงสุด	
ความยาวโดยรวม (ขึ้นอยู่กับแบตเตอรี่)	232 - 250 mm	
น้ำหนักสุทธิ	1.8 - 1.9 kg	

- เนื่องจากการค้นคว้าวิจัยและพัฒนาอย่างต่อเนื่อง ข้อมูลจำเพาะในเอกสารฉบับนี้อาจเปลี่ยนแปลงได้โดยไม่ต้องแจ้งให้ทราบล่วงหน้า
- ข้อมูลจำเพาะอาจแตกต่างกันไปในแต่ละประเทศ
- น้ำหนักอาจแตกต่างกันไปตามอุปกรณ์เสริม รวมถึงถลับแบตเตอรี่ การตัดอุปกรณ์เสริมที่เบาที่สุดและหนักที่สุดตามข้อบังคับของ EPTA 01/2014 มีแสดงอยู่ในตาราง

### ถลับแบตเตอรี่และเครื่องชาร์จที่ใช้ได้

ถลับแบตเตอรี่	BL1015 / BL1016 / BL1020B / BL1021B / BL1040B / BL1041B
เครื่องชาร์จ	DC10SA / DC10SB / DC10WC / DC10WD / DC18RE

- ถลับแบตเตอรี่และเครื่องชาร์จบางรายการที่แสดงอยู่ด้านบนอาจไม่มีวางจำหน่ายขึ้นอยู่กับภูมิภาคที่คุณอาศัยอยู่

**คำเตือน:** ใช้ถลับแบตเตอรี่และเครื่องชาร์จที่ระบุไว้ข้างบนเท่านั้น การใช้ถลับแบตเตอรี่และเครื่องชาร์จประเภทอื่นอาจก่อให้เกิดความเสี่ยงที่จะได้รับบาดเจ็บและ/หรือเกิดไฟไหม้

### สัญลักษณ์

ต่อไปนี้เป็นสัญลักษณ์ที่อาจใช้สำหรับอุปกรณ์ โปรดศึกษาความหมายของสัญลักษณ์ให้เข้าใจก่อนการใช้งาน



อ่านคู่มือการใช้งาน



สำหรับประเทศในสหภาพยุโรปเท่านั้น ห้ามทิ้งอุปกรณ์ไฟฟ้าหรือชุดแบตเตอรี่รวมกับขยะครัวเรือนทั่วไป เพื่อให้เป็นไปตามกฎระเบียบของยุโรปเกี่ยวกับขยะจำพวกอุปกรณ์ไฟฟ้าและอิเล็กทรอนิกส์ และขยะจำพวกแบตเตอรี่และหม้อสะสมไฟฟ้า และการปฏิบัติตามกฎหมายในประเทศ ต้องเก็บอุปกรณ์ไฟฟ้าและแบตเตอรี่และชุดแบตเตอรี่ที่หมดอายุการใช้งานแล้วแยกต่างหาก และส่งกลับไปยังศูนย์รีไซเคิลที่เป็นมิตรต่อสิ่งแวดล้อม

## จุดประสงค์การใช้งาน

เครื่องมือนี้ใช้สำหรับเลื่อยไม้ พลาสติก และวัสดุโลหะ ด้วยอุปกรณ์เสริมและโปรแกรมใบเลื่อยที่หลากหลาย เครื่องมือนี้สามารถใช้งานได้หลายวัตถุประสงค์และเหมาะสำหรับการตัดโค้งหรือตัดวงกลมอย่างง่าย

## คำเตือนด้านความปลอดภัยของเครื่องมือไฟฟ้าทั่วไป

**คำเตือน:** โปรดอ่านคำเตือนด้านความปลอดภัย คำแนะนำ ภาพประกอบ และข้อมูลจำเพาะต่างๆ ที่หามา กับเครื่องมือไฟฟ้านี้อย่างละเอียด การไม่ปฏิบัติตามคำแนะนำดังต่อไปนี้ อาจส่งผลให้เกิดไฟฟ้าช็อต ไฟไหม้ และ/หรือได้รับบาดเจ็บอย่างร้ายแรงได้

## เก็บรักษาคำเตือนและคำแนะนำทั้งหมดไว้ เป็นข้อมูลอ้างอิงในอนาคต

คำว่า “เครื่องมือไฟฟ้า” ในคำเตือนนี้หมายถึงเครื่องมือไฟฟ้า (มีสาย) ที่ทำงานโดยใช้กระแสไฟฟ้าหรือเครื่องมือไฟฟ้า (ไร้สาย) ที่ทำงานโดยใช้แบตเตอรี่

### ความปลอดภัยของพื้นที่ทำงาน

1. ดูแลพื้นที่ทำงานให้มีความสะอาดและมีแสงไฟสว่าง พื้นที่รกกระระกระหรือมีวัตถุที่อาจนำไปสู่การเกิดอุบัติเหตุได้
2. อย่าใช้งานเครื่องมือไฟฟ้าในสภาพที่อาจเกิดการระเบิด เช่น ในสถานที่ที่มีของเหลว ก๊าซ หรือฝุ่นที่มีคุณสมบัติไวไฟ เครื่องมือไฟฟ้าอาจสร้างประกายไฟและจุดชนวนฝุ่นผงหรือก๊าซดังกล่าว
3. ดูแลไม่ให้มีเด็ก หรือบุคคลอื่นอยู่ในบริเวณที่กำลังใช้เครื่องมือไฟฟ้า การมีสิ่งรบกวนสมาธิอาจทำให้คุณสูญเสียการควบคุม

### ความปลอดภัยด้านไฟฟ้า

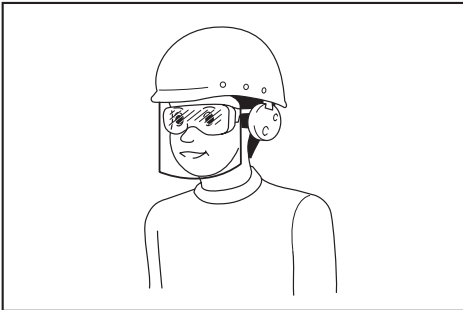
1. ปลั๊กของเครื่องมือไฟฟ้าต้องพอดีกับเต้ารับ อย่าดัดแปลงปลั๊กไม่ว่ากรณีใดๆ อย่าใช้ปลั๊กอะแดปเตอร์กับเครื่องมือไฟฟ้าที่ต่อสายดิน ปลั๊กที่ไม่ถูกดัดแปลงและเต้ารับที่เข้ากันพอดีจะช่วยลดความเสี่ยงของการเกิดไฟฟ้าช็อต
2. ระวังอย่าให้ร่างกายสัมผัสกับพื้นผิวที่ต่อสายดิน เช่น ท่อ เครื่องนำความร้อน เตารุ่นต้ม และตู้เย็น มีความเสี่ยงที่จะเกิดไฟฟ้าช็อตสูงขึ้น หากร่างกายของคุณสัมผัสกับพื้น
3. อย่าให้เครื่องมือไฟฟ้าถูกน้ำหรืออยู่ในสภาพเปียกชื้น น้ำที่ไหลเข้าไปในเครื่องมือไฟฟ้าจะเพิ่มความเสี่ยงของการเกิดไฟฟ้าช็อต

4. อย่าใช้สายไฟอย่างไม่เหมาะสม อย่าใช้สายไฟเพื่อยก ดึง หรือถอดปลั๊กเครื่องมือไฟฟ้า เก็บสายไฟให้ห่างจากความร้อน น้ำมัน ของมีคม หรือชิ้นส่วนที่เคลื่อนที่ สายที่ชำรุดหรือพันกันจะเพิ่มความเสี่ยงของการเกิดไฟฟ้าช็อต
5. ขณะที่ใช้งานเครื่องมือไฟฟ้านอกอาคาร ควรใช้สายต่อพ่วงที่เหมาะสมกับงานภายนอกอาคาร การใช้งานที่เหมาะสมกับงานภายนอกอาคารจะลดความเสี่ยงของการเกิดไฟฟ้าช็อต
6. หากต้องใช้งานเครื่องมือไฟฟ้าในสถานที่เปียกชื้น ให้ใช้อุปกรณ์ป้องกันกระแสไฟรั่ว (RCD) การใช้ RCD จะลดความเสี่ยงของการเกิดไฟฟ้าช็อต
7. เครื่องมือไฟฟ้าอาจสร้างสนามแม่เหล็ก (EMF) ที่ไม่เป็นอันตรายต่อผู้ใช้ อย่างไรก็ตาม ผู้ใช้ที่ใส่เครื่องกระตุ้นหัวใจและอุปกรณ์ทางการแพทย์ที่คล้ายกันนี้ ควรติดต่อผู้ผลิตอุปกรณ์และ/หรือแพทย์เพื่อรับคำแนะนำก่อนใช้งานเครื่องมือไฟฟ้านี้

### ความปลอดภัยส่วนบุคคล

1. ให้ระมัดระวังและมึสติอยู่เสมอขณะใช้งานเครื่องมือไฟฟ้า อย่าใช้งานเครื่องมือไฟฟ้าในขณะที่คุณกำลังเหนื่อย หรือในสภาพที่มึนเมาจากยาเสพติด เครื่องดื่ม แอลกอฮอล์ หรือการหายใจ ชั่วขณะที่ขาดความระมัดระวังเมื่อกำลังใช้งานเครื่องมือไฟฟ้าอาจทำให้ได้รับบาดเจ็บร้ายแรง
2. ใช้อุปกรณ์ป้องกันส่วนบุคคล สวมแว่นตาป้องกันเสมอ อุปกรณ์ป้องกัน เช่น หน้กากันฝุ่น รองเท้านิรภัยกันลื่น หมวกนิรภัย หรือเครื่องป้องกันการได้ยินที่ใช้ในสภาพที่เหมาะสมจะช่วยลดการบาดเจ็บ
3. ป้องกันไม่ให้เกิดการเปิดใช้งานโดยไม่ตั้งใจ ตรวจสอบให้แน่ใจว่าสวิตช์ปิดอยู่ก่อนที่จะเชื่อมต่อกับแหล่งจ่ายไฟ และ/หรือชุดแบตเตอรี่ รวมทั้งตรวจสอบก่อนการยกหรือเคลื่อนย้ายเครื่องมือ การสอดนิ้วมือบริเวณสวิตช์เพื่อถือเครื่องมือไฟฟ้า หรือการชาร์จไฟเครื่องมือไฟฟ้าในขณะที่เปิดสวิตช์อยู่อาจนำไปสู่การเกิดอุบัติเหตุ
4. นำคู่มือฉบับปรับปรุงหรือประจำออกก่อนที่จะเปิดเครื่องมือไฟฟ้า ประแจหรือคู่มือแจ้งที่เสียบค้ำอยู่ในชิ้นส่วนที่หมุนได้ของเครื่องมือไฟฟ้าอาจทำให้ได้รับบาดเจ็บ
5. อย่าทำงานในระยะที่สุดเอื้อม จัดท่ากรยีนและการทรงตัวให้เหมาะสมตลอดเวลา เพราะจะทำให้ควบคุมเครื่องมือไฟฟ้าได้ดีขึ้นในสถานการณ์ที่ไม่คาดคิด

6. แต่งกายให้เหมาะสม อย่าสวมเครื่องแต่งกายที่หลวมเกินไป หรือสวมเครื่องประดับ ดูแลไม่ให้เส้นผมและเสื้อผ้าอยู่ใกล้ชิ้นส่วนที่เคลื่อนที่ เสื้อผ้ารุ่มร่าม เครื่องประดับ หรือผมที่มีความยาวอาจเข้าไปติดในชิ้นส่วนที่เคลื่อนที่
7. หากมีการจัดอุปกรณ์สำหรับดูดและจับฝุ่นไว้ในสถานที่ ให้ตรวจสอบว่าได้เชื่อมต่อและใช้งานอุปกรณ์นั้นอย่างเหมาะสม การใช้เครื่องดูดและจับฝุ่นจะช่วยลดอันตรายที่เกิดจากฝุ่นผงได้
8. อย่าให้ความดันเคยจากการใช้งานเครื่องมือเป็นประจำทำให้คุณทำตัวตามสบายและละเลยหลักการเพื่อความปลอดภัยในการใช้เครื่องมือ การกระทำที่ไม่ระมัดระวังอาจทำให้เกิดการบาดเจ็บร้ายแรงภายในเสี้ยววินาที
9. สวมใส่แว่นครอบตาที่รับภัยเพื่อปกป้องดวงตาของคุณจากการบาดเจ็บเมื่อใช้เครื่องมือไฟฟ้า แว่นครอบตาจะต้องได้มาตรฐาน ANSI Z87.1 ในสหรัฐอเมริกา, EN 166 ในยุโรป หรือ AS/NZS 1336 ในออสเตรเลีย/นิวซีแลนด์ ในออสเตรเลีย/นิวซีแลนด์ จะต้องสวมเกราะป้องกันใบหน้าเพื่อปกป้องใบหน้าของคุณอย่างถูกต้องตามกฎหมายด้วย



ผู้ว่าจ้างมีหน้าที่รับผิดชอบในการบังคับผู้ใช้งานเครื่องมือและบุคคลอื่นๆ ที่อยู่ในบริเวณที่ปฏิบัติงานให้ใช้อุปกรณ์ป้องกันที่เหมาะสม

#### การใช้และดูแลเครื่องมือไฟฟ้า

1. อย่าฝืนใช้เครื่องมือไฟฟ้า ใช้เครื่องมือไฟฟ้าที่เหมาะสมกับการใช้งานของคุณ เครื่องมือไฟฟ้าที่เหมาะสมจะทำให้ได้งานที่มีประสิทธิภาพและปลอดภัยกว่าตามขีดความสามารถของเครื่องที่ได้รับการออกแบบมา
2. อย่าใช้เครื่องมือไฟฟ้า หากสวิตช์ไม่สามารถเปิดปิดได้ เครื่องมือไฟฟ้าที่ควบคุมด้วยสวิตช์ไม่ได้เป็นอันตรายและต้องได้รับการซ่อมแซม

3. ถอดปลั๊กจากแหล่งจ่ายไฟ และ/หรือชุดแบตเตอรี่ออกจากเครื่องมือไฟฟ้าก่อนทำการปรับตั้ง เปลี่ยนอุปกรณ์เสริม หรือจัดเก็บเครื่องมือไฟฟ้า วิธีการป้องกันด้านความปลอดภัยดังกล่าวจะช่วยลดความเสี่ยงในการเปิดใช้งานเครื่องมือไฟฟ้าโดยไม่ตั้งใจ
4. จัดเก็บเครื่องมือไฟฟ้าที่ไม่ได้ใช้งานให้ห่างจากมือเด็ก และอย่าอนุญาตให้บุคคลที่ไม่คุ้นเคยกับเครื่องมือไฟฟ้าหรือคำแนะนำเหล่านี้ใช้งานเครื่องมือไฟฟ้า เครื่องมือไฟฟ้าจะเป็นอันตรายเมื่ออยู่ในมือของผู้ที่ไม่ได้รับการฝึกอบรม
5. บำรุงรักษาเครื่องมือไฟฟ้าและอุปกรณ์เสริม ตรวจสอบการประกอบที่ไม่ถูกต้องหรือการเชื่อมต่อของชิ้นส่วนที่เคลื่อนที่ การแตกหักของชิ้นส่วน หรือสภาพอื่นๆ ที่อาจส่งผลกระทบต่อการทำงานของเครื่องมือไฟฟ้า หากมีความเสียหาย ให้นำเครื่องมือไฟฟ้าไปซ่อมแซมก่อนการใช้งาน อุบัติเหตุจำนวนมากเกิดจากการดูแลรักษาเครื่องมือไฟฟ้าอย่างไม่ถูกต้อง
6. ทำความสะอาดเครื่องมือตัดและลับให้คมอยู่เสมอ เครื่องมือการตัดที่มีการดูแลอย่างถูกต้องและมีขอบการตัดคมมักจะมีปัญหาติดขัดน้อยและควบคุมได้ง่ายกว่า
7. ใช้เครื่องมือไฟฟ้า อุปกรณ์เสริม และวัสดุสิ้นเปลือง ฯลฯ ตามคำแนะนำดังกล่าว พิจารณาสภาพการทำงานและงานที่จะลงมือทำ การใช้เครื่องมือไฟฟ้าเพื่อทำงานอื่นนอกเหนือจากที่กำหนดไว้อาจทำให้เกิดอันตราย
8. ดูแลมือจับและบริเวณมือจับให้แห้ง สะอาด และไม่มีน้ำมันและจาระบีเปื้อน มือจับและบริเวณมือจับที่ลื่นจะทำให้ไม่สามารถจับและควบคุมเครื่องมือได้อย่างปลอดภัยในสถานการณ์ที่ไม่คาดคิด
9. ขณะใช้งานเครื่องมือ อย่าสวมใส่ถุงมือผ้าที่อาจเข้าไปติดในเครื่องมือได้ หากถุงมือผ้าเข้าไปติดในชิ้นส่วนที่กำลังเคลื่อนที่ที่อยู่อาจทำให้ได้รับบาดเจ็บ

#### การใช้งานและดูแลเครื่องมือที่ใช้แบตเตอรี่

1. ชาร์จไฟใหม่ด้วยเครื่องชาร์จที่ระบุโดยผู้ผลิตเท่านั้น เครื่องชาร์จที่เหมาะสมสำหรับชุดแบตเตอรี่ประเภทนี้อาจเสี่ยงที่จะเกิดไฟไหม้หากนำไปใช้กับชุดแบตเตอรี่อีกประเภทหนึ่ง
2. ใช้เครื่องมือไฟฟ้ากับชุดแบตเตอรี่ที่กำหนดมาโดยเฉพาะเท่านั้น การใช้ชุดแบตเตอรี่ประเภทนี้อาจทำให้เสี่ยงที่จะได้รับบาดเจ็บและเกิดไฟไหม้



- เมื่อไม่ใช้งานชุดแบตเตอรี่ ให้เก็บห่างจากวัตถุที่เป็นโลหะอื่นๆ เช่น คลิปหนีบกระดาษ เหรียญ กุญแจ กรรไกรตัดเล็บ สกรู หรือวัตถุที่เป็นโลหะขนาดเล็กอื่นๆ ที่สามารถเชื่อมต่อชั่วคราวกับอีกขั้วหนึ่งได้ การลัดวงจรขั้วแบตเตอรี่อาจทำให้ร้อนจัดหรือเกิดไฟไหม้
- ในกรณีที่ใช้งานไม่ถูกต้อง อาจมีของเหลวไหลออกจากแบตเตอรี่ ให้หลีกเลี่ยงการสัมผัส หากสัมผัสโดนของเหลวโดยไม่ได้ตั้งใจ ให้ล้างออกด้วยน้ำ หากของเหลวกระเด็นเข้าตา ให้รีบไปพบแพทย์ ของเหลวที่ไหลออกจากแบตเตอรี่อาจทำให้ผิวหนังระคายเคืองหรือไหม้
- ห้ามใช้ชุดแบตเตอรี่หรือเครื่องมือที่ชำรุดหรือมีการแก้ไข แบตเตอรี่ที่เสียหายหรือมีการแก้ไขอาจทำให้เกิดสิ่งที่ไม่ถึงใจ เช่น ไฟไหม้ ระเบิด หรือเสี่ยงต่อการบาดเจ็บ
- ห้ามใช้ชุดแบตเตอรี่อยู่ใกล้ไฟ หรือบริเวณที่มีอุณหภูมิสูงเกิน หากโดนไฟ หรืออุณหภูมิสูงเกิน 130 °C อาจก่อให้เกิดการระเบิดได้
- กรุณาปฏิบัติตามคำแนะนำสำหรับการชาร์จไฟ และห้ามชาร์จแบตเตอรี่หรือเครื่องมือในบริเวณที่มีอุณหภูมินอกเหนือไปจากที่ระบุในคำแนะนำ การชาร์จไฟที่ไม่เหมาะสม หรืออุณหภูมินอกเหนือไปจากช่วงอุณหภูมิที่ระบุในคำแนะนำอาจทำให้แบตเตอรี่เสียหายและเป็นการเพิ่มความเสี่ยงในการเกิดไฟไหม้

#### การซ่อมบำรุง

- นำเครื่องมือไฟฟ้าเข้ารับบริการจากช่างซ่อมที่ผ่านการรับรองโดยใช้อะไหล่แบบเดียวกันเท่านั้น เพราะจะทำให้การใช้เครื่องมือไฟฟ้ามีความปลอดภัย
- ห้ามใช้ชุดแบตเตอรี่ที่เสียหาย ชุดแบตเตอรี่ที่ใช้ควรเป็นชุดที่มาจากผู้ผลิต หรือผู้ให้บริการที่ได้รับอนุญาตเท่านั้น
- ปฏิบัติตามคำแนะนำในการหล่อลื่นและการเปลี่ยนอุปกรณ์เสริม

#### คำเตือนด้านความปลอดภัยของเลื่อยฉลุไร้สาย

- ถือเครื่องมือไฟฟ้าบริเวณมือจับที่เป็นฉนวนเมื่อทำงานที่เครื่องมือตัดอาจสัมผัสกับสายไฟที่ซ่อนอยู่ เครื่องมือตัดที่สัมผัสกับสายไฟที่ “มีกระแสไฟฟ้าไหลผ่าน” อาจทำให้ส่วนที่เป็นโลหะของเครื่องมือไฟฟ้าที่ไม่มีฉนวนหุ้ม “มีกระแสไฟฟ้าไหลผ่าน” และทำให้ผู้ปฏิบัติงานถูกไฟฟ้าช็อตได้
- ใช้ปากกาจับหรือวิธีการปฏิบัติอื่นๆ เพื่อยึดและรองรับชิ้นงานไว้บนพื้นที่ที่มั่นคง การใช้มือจับชิ้นงานหรือยึดชิ้นงานไว้กับร่างกายจะทำให้เกิดความไม่มั่นคงและสูญเสียการควบคุมได้

- สวมแว่นตานิรภัยหรือแว่นครอบตาเสมอ แว่นตাপกติหรือแว่นกันแดดไม่ใช่แว่นนิรภัย
- หลีกเลี่ยงการตัดตะปู ตรวจสอบหาตะปูในชิ้นงานและถอนตะปูออกก่อนทำงาน
- อย่าตัดชิ้นงานที่มีขนาดใหญ่เกินไป
- ตรวจสอบสิ่งที่อยู่โดยรอบชิ้นงานก่อนการตัดเพื่อป้องกันไม่ให้ใบเลื่อยโดนพื้น โต๊ะ ฯลฯ
- จับเครื่องมือให้แน่น
- ตรวจสอบให้แน่ใจว่ามีดนั้นไม่ได้สัมผัสกับชิ้นงานก่อนที่จะเปิดสวิตช์
- ระวังอย่าให้มือสัมผัสกับชิ้นส่วนที่เคลื่อนที่
- อย่าปล่อยให้เครื่องมือทำงานค้างไว้ ใช้งานเครื่องมือในขณะที่ถืออยู่เท่านั้น
- ปิดสวิตช์และรอจนกว่าใบเลื่อยหยุดนิ่งสนิทก่อนที่จะเอาใบเลื่อยออกจากชิ้นงาน
- ห้ามสัมผัสกับใบเลื่อยหรือชิ้นงานทันทีที่ทำงานเสร็จเนื่องจากดอกไขควงหรือชิ้นงานอาจมีความร้อนสูงและลวกผิวหนังของคุณได้
- อย่าใช้เครื่องมือโดยปิดเครื่องทิ้งไว้เฉยๆ โดยไม่จำเป็น
- วัสดุบางอย่างอาจมีสารเคมีที่เป็นพิษ ระวังอย่าสูดดมฝุ่นหรือสัมผัสกับผิวหนัง ปฏิบัติตามข้อมูลด้านความปลอดภัยของผู้ผลิตวัสดุ
- ใช้หน้ากากกันฝุ่น/ควันพิษที่เหมาะสมกับวัสดุและการใช้งานที่คุณกำลังทำงานเสมอ

#### ปฏิบัติตามคำแนะนำเหล่านี้

**⚠ คำเตือน:** อย่าให้ความไม่ระมัดระวังหรือความคุ้นเคยกับผลิตภัณฑ์ (จากการใช้งานซ้ำหลายครั้ง) อยู่เหนือการปฏิบัติตามกฎเกณฑ์ด้านความปลอดภัยในการใช้งาน ผลิตภัณฑ์อย่างเคร่งครัด การใช้งานอย่างไม่เหมาะสมหรือการไม่ปฏิบัติตามกฎเกณฑ์ด้านความปลอดภัยในคู่มือการใช้งานนี้อาจทำให้ได้รับบาดเจ็บร้ายแรง

#### คำแนะนำเพื่อความปลอดภัยที่สำคัญสำหรับดัลบีแบตเตอรี่

- ก่อนใช้งานดัลบีแบตเตอรี่ ให้อ่านคำแนะนำและเครื่องหมายเตือนทั้งหมดบน (1) เครื่องชาร์จแบตเตอรี่ (2) แบตเตอรี่ และ (3) ตัวผลิตภัณฑ์ที่ใช้แบตเตอรี่
- อย่าถอดแยกชิ้นส่วนหรือทำการดัดแปลงดัลบีแบตเตอรี่ เนื่องจากอาจทำให้เกิดไฟไหม้ ความร้อนที่สูงเกินไป หรือระเบิดได้

3. หากระยะเวลาที่เครื่องทำงานสั้นเกินไป ให้หยุดใช้งานทันที เนื่องจากอาจมีความเสี่ยงที่จะร้อนจัด ใหม่หรือระเบิดได้
4. หากสารละลายอิเล็กโทรไลต์กระเด็นเข้าตา ให้ล้างออกด้วยน้ำเปล่าและรีบไปพบแพทย์ทันที เนื่องจากอาจทำให้ตาบอด
5. ห้ามลัดวงจรตลับแบตเตอรี่:
  - (1) ห้ามแตะขั้วกับวัตถุที่เป็นสื่อไฟฟ้าใดๆ
  - (2) หลีกเลี่ยงการเก็บตลับแบตเตอรี่ไว้ในภาชนะร่วมกับวัตถุที่เป็นโลหะ เช่น กรรไกรตัดเล็บ เหรียญ ฯลฯ
  - (3) อย่าให้ตลับแบตเตอรี่ถูกน้ำหรือฝน แบตเตอรี่ลัดวงจรอาจทำให้เกิดการไหลของกระแสไฟฟ้า ร้อนจัด ใหม่หรือเสียหายได้
6. ห้ามเก็บและใช้เครื่องมือและตลับแบตเตอรี่ไว้ในสถานที่ที่มีอุณหภูมิสูงถึงหรือเกิน 50 °C (122 °F)
7. ห้ามเผาตลับแบตเตอรี่ทิ้ง แม้ว่าแบตเตอรี่จะเสียหายจนใช้การไม่ได้หรือเสื่อมสภาพแล้ว ตลับแบตเตอรี่อาจจะระเบิดในกองไฟ
8. อย่าถอดตะปู ตัด บด ขั้ววง หรือทำตลับแบตเตอรี่หล่นพื้น หรือกระทบตลับแบตเตอรี่กับวัตถุของแข็ง การกระทำดังกล่าวอาจส่งผลให้เกิดไฟไหม้ ความร้อนที่สูงเกินไป หรือระเบิดได้
9. ห้ามใช้แบตเตอรี่ที่เสียหาย
10. แบตเตอรี่ลิเทียมไอออนที่มีมาให้ นั้นเป็นไปตามข้อกำหนดของ Dangerous Goods Legislation สำหรับการขนส่งเพื่อการพาณิชย์ เช่น โดยบุคคลที่สาม ต้นทุนขนส่งสินค้า จะต้องตรวจสอบข้อกำหนดพิเศษในด้านการบรรจุหีบห่อหรือการติดป้ายสินค้าในการเตรียมสินค้าที่จะขนส่ง ให้ปรึกษาผู้เชี่ยวชาญด้านวัตถุอันตราย โปรดตรวจสอบข้อกำหนดในประเทศที่อาจมีรายละเอียดอื่นๆ เพิ่มเติม ให้ติดเทปหรือปิดหน้าสัมผัสและห่อแบตเตอรี่ในลักษณะที่แบตเตอรี่จะไม่เคลื่อนที่ไปมาในหีบห่อ
11. เมื่อกำจัดตลับแบตเตอรี่ ให้ถอดตลับแบตเตอรี่ออกจากเครื่องมือและกำจัดในสถานที่ที่ปลอดภัย ปฏิบัติตามข้อบังคับในท้องถิ่นที่เกี่ยวกับการกำจัดแบตเตอรี่
12. ใช้แบตเตอรี่กับผลิตภัณฑ์ที่ระบุโดย Makita เท่านั้น การติดตั้งแบตเตอรี่ในผลิตภัณฑ์ที่ไม่ใช่ตามที่ระบุอาจทำให้เกิดไฟไหม้ ความร้อนสูง ระเบิด หรืออิเล็กโทรไลต์รั่วไหลได้
13. หากไม่ใช่เครื่องมือเป็นระยะเวลานาน จะต้องถอดแบตเตอรี่ออกจากเครื่องมือ
14. ในระหว่างและหลังการใช้งาน ตลับแบตเตอรี่อาจร้อน ซึ่งอาจลวกผิวหรือทำให้ผิวไหม้ที่อุณหภูมิทำได้ โปรดระมัดระวังในการจัดการกับแบตเตอรี่ที่ร้อน
15. อย่าสัมผัสขั้วของเครื่องมือทันทีหลังจากการใช้งาน เนื่องจากอาจมีความร้อนพอที่จะทำให้ผิวไหม้ได้
16. อย่าปล่อยให้เศษวัสดุ ผุ่นผง หรือดินเข้าไปติดอยู่ในขั้ว รู และร่องของตลับแบตเตอรี่ เนื่องจากอาจทำให้เครื่องมือหรือตลับแบตเตอรี่มีประสิทธิภาพลดลงหรือเสียหายได้
17. หากเครื่องมือไม่รองรับสายไฟแรงดันสูง อย่าใช้ตลับแบตเตอรี่ใกล้กับสายไฟแรงดันสูง เนื่องจากเครื่องมือหรือตลับแบตเตอรี่อาจทำงานผิดปกติหรือเสียหายได้
18. เก็บแบตเตอรี่ให้ห่างจากเด็ก

### ปฏิบัติตามคำแนะนำเหล่านี้

**⚠️ ข้อควรระวัง:** ใช้แบตเตอรี่ของแท้จาก Makita เท่านั้น การใช้แบตเตอรี่ Makita ที่ไม่แท้ หรือแบตเตอรี่ที่ถูกเปลี่ยน อาจทำให้แบตเตอรี่ระเบิด ก่อให้เกิดเพลิงลุกไหม้ การบาดเจ็บ และความเสียหายได้ และจะทำให้การรับประกันของ Makita สำหรับเครื่องมือและแท่นชาร์จของ Makita เป็นโมฆะด้วย

### เคล็ดลับในการรักษาอายุการใช้งานของแบตเตอรี่ให้ยาวนานที่สุด

1. ชาร์จตลับแบตเตอรี่ก่อนที่ไฟจะหมด หยุดการใช้งานแล้วชาร์จประจุไฟฟ้าให้ทุกครั้งเมื่อคุณรู้สึกว่าคุณปรารถนามีกำลังลดลง
2. อย่าชาร์จตลับแบตเตอรี่ที่มีไฟเต็มแล้ว การชาร์จประจุไฟฟ้ามากเกินไปอาจจะทำให้อายุการใช้งานของตลับแบตเตอรี่สั้นลง
3. ชาร์จประจุไฟฟ้าตลับแบตเตอรี่ในห้องที่มีอุณหภูมิระหว่าง 10 °C - 40 °C ปล่อยให้ตลับแบตเตอรี่เย็นลงก่อนที่จะชาร์จไฟ
4. เมื่อไม่ใช่ตลับแบตเตอรี่ ให้ถอดออกจากเครื่องมือหรือเครื่องชาร์จ

## คำอธิบายการทำงาน

**⚠️ ข้อควรระวัง:** ตรวจสอบให้แน่ใจว่าได้ปิดสวิทช์เครื่องมือและถอดปลั๊กแบตเตอรี่ออกก่อนปรับตั้งหรือตรวจสอบการทำงานของเครื่องมือ

## การใส่หรือการถอดดัลล์แบตเตอรี่

**⚠️ ข้อควรระวัง:** ปิดสวิทช์เครื่องมือก่อนทำการติดตั้งหรือการถอดดัลล์แบตเตอรี่ทุกครั้ง

**⚠️ ข้อควรระวัง:** ถือเครื่องมือและดัลล์แบตเตอรี่ให้แน่นในระหว่างการติดตั้งหรือการถอดดัลล์แบตเตอรี่ หากไม่ถือเครื่องมือและดัลล์แบตเตอรี่ให้แน่น อาจทำให้ดัลล์แบตเตอรี่และเครื่องมือเสียหาย และทำให้เครื่องมือและดัลล์แบตเตอรี่เสียหายหรือได้รับบาดเจ็บได้

▶ **หมายเลข 1:** 1. ซิลลี่แดง 2. ปุ่ม 3. ดัลล์แบตเตอรี่

เมื่อต้องการถอดดัลล์แบตเตอรี่ ให้เลื่อนปุ่มที่ด้านหน้าของดัลล์แล้วดึงออกจากเครื่องมือ

เมื่อต้องการติดตั้งดัลล์แบตเตอรี่ ให้จัดแนวสันบนดัลล์แบตเตอรี่ให้ตรงกับร่องบนตัวเครื่องมือ แล้วเลื่อนดัลล์แบตเตอรี่เข้าที่ ติดตั้งดัลล์แบตเตอรี่เข้าจนสุดจนกระทั่งล๊อคเข้าที่และได้ยินเสียงคลิก หากยังเห็นซิลลี่แดงที่ด้านบนของปุ่ม แสดงว่าดัลล์แบตเตอรี่ยังไม่ล๊อคเข้าที่

**⚠️ ข้อควรระวัง:** ให้หันดัลล์แบตเตอรี่เข้าจนสุดจนไม่เห็นซิลลี่แดงอีก ไม่เช่นนั้น ดัลล์แบตเตอรี่อาจหลุดออกจากเครื่องมือทำให้คุณหรือคนรอบข้างได้รับบาดเจ็บ

**⚠️ ข้อควรระวัง:** อย่าฝืนติดตั้งดัลล์แบตเตอรี่โดยใช้แรงมากเกินไป หากดัลล์แบตเตอรี่ไม่เลื่อนเข้าไปโดยง่าย แสดงว่าใส่ไม่ถูกต้อง

## ระบบป้องกันแบตเตอรี่

เครื่องมือจะมีระบบการป้องกันแบตเตอรี่ ระบบนี้จะทำการตัดพลังงานของมอเตอร์โดยอัตโนมัติเพื่อยืดอายุแบตเตอรี่ เครื่องมือจะหยุดทำงานโดยอัตโนมัติระหว่างการใช้งาน เมื่อเครื่องมือและ/หรือแบตเตอรี่อยู่ภายใต้สถานการณ์ต่อไปนี้:

ทำงานหนักเกินไป:

ใช้งานเครื่องมือในลักษณะที่อาจใช้กระแสไฟฟ้าสูงผิดปกติ ในกรณีนี้ ให้ปิดเครื่องมือและหยุดการใช้งานในลักษณะที่อาจทำให้เครื่องมือทำงานหนักเกินไป แล้วเปิดเครื่องมือเพื่อเริ่มทำงานอีกครั้ง

หากเครื่องมือไม่เริ่มทำงาน แสดงว่าแบตเตอรี่ร้อนเกินไป ในกรณีนี้ ให้ปล่อยให้แบตเตอรี่ให้เย็นลงก่อนที่จะเปิดเครื่องมืออีกครั้ง

แรงดันไฟฟ้าแบบเดือรีต่ำ:

พลังงานในแบตเตอรี่เหลือน้อยเกินไปและเครื่องมือจะไม่ทำงาน หากคุณเปิดใช้เครื่องมือ มอเตอร์จะเริ่มทำงานอีกครั้ง แต่ถักักพักจะหยุดทำงาน ในสถานการณ์นี้ ให้ถอดแบตเตอรี่ออกแล้วชาร์จแบตเตอรี่ใหม่

## การระบุระดับพลังงานแบตเตอรี่ที่เหลืออยู่

สำหรับดัลล์แบตเตอรี่ที่มีตัวแสดงสถานะเท่านั้น

▶ **หมายเลข 2:** 1. ไฟแสดงสถานะ 2. ปุ่มตรวจสอบ

กดปุ่ม ตรวจสอบ บนดัลล์แบตเตอรี่เพื่อดูปริมาณแบตเตอรี่ที่เหลือ ไฟแสดงสถานะจะสว่างขึ้นเป็นเวลาสามวินาที

ไฟแสดงสถานะ		แบตเตอรี่ที่เหลือ
ไฟสว่าง	ดับ	
		75% ถึง 100%
		50% ถึง 75%
		25% ถึง 50%
		0% ถึง 25%

**หมายเหตุ:** ขึ้นอยู่กับสภาพการใช้งานและอุณหภูมิ โดยรอบ การแสดงสถานะอาจจะแตกต่างจากปริมาณแบตเตอรี่จริงเล็กน้อย

## การเลือกวิธีการตัด

### ► หมายเลข 3: 1. ก้านเปลี่ยนวิธีการตัด

เครื่องมือนี้สามารถทำงานในการตัดเป็นเส้นวงกลมหรือเส้นตรง (ขึ้นหรือลง) ได้ การตัดเป็นวงกลมจะดันใบเลื่อยลงไปข้างหน้าตามจังหวะการชักใบเลื่อยและจะเพิ่มความเร็วในการตัดขึ้นอย่างมาก

หากต้องการเปลี่ยนวิธีการตัด ให้หมุนก้านเปลี่ยนวิธีการตัดไปยังตำแหน่งวิธีการตัดที่ต้องการ โปรดดูตารางเพื่อเลือกวิธีการตัดที่เหมาะสม

ตำแหน่ง	วิธีการตัด	วิธีใช้งาน
0	การตัดเป็นเส้นตรง	สำหรับตัดเหล็ก เหนียว สแตนเลส สตีล และพลาสติก สำหรับตัดไม้และไม้อัดอย่างเรียบ
I	การตัดเป็นวงกลมขนาดเล็ก	สำหรับตัดเหล็ก เหนียว อลูมิเนียม และไม้เนื้อแข็ง
II	การตัดเป็นวงกลมขนาดกลาง	สำหรับตัดไม้และไม้อัด สำหรับตัดอลูมิเนียมและเหล็ก เหนียวอย่างรวดเร็ว
III	การตัดเป็นวงกลมขนาดใหญ่	สำหรับตัดไม้และไม้อัดอย่างรวดเร็ว

## การทำงานของสวิตช์

▲ **ข้อควรระวัง:** ก่อนใส่สลับแบตเตอรี่ลงในเครื่องมือ ให้ตรวจสอบว่าสวิตช์สั่งงานสามารถทำงานได้อย่างถูกต้องและกลับไปยังตำแหน่ง "ปิด" เมื่อปล่อย

▲ **ข้อควรระวัง:** เมื่อไม่ใช้งานเครื่องมือ ให้กดปุ่มปลดล็อกจากด้าน A เพื่อล็อกสวิตช์สั่งงานในตำแหน่ง OFF

### ► หมายเลข 4: 1. ปุ่มปลดล็อก 2. สวิตช์สั่งงาน

เพื่อป้องกันไม่ให้สวิตช์สั่งงานถูกดึงโดยไม่ตั้งใจมีปุ่มปลดล็อกดติดตั้งไว้

เพื่อเริ่มใช้งานเครื่องมือ กดปุ่มปลดล็อกจากด้าน B แล้วดึงสวิตช์สั่งงาน

ความเร็วเครื่องมือจะเพิ่มขึ้นเมื่อออกแรงกดที่สวิตช์สั่งงาน ปล่อยสวิตช์สั่งงานเพื่อหยุดทำงาน หลังใช้งาน ให้กดปุ่มปลดล็อกจากด้าน A เสมอ

## การประกอบ

▲ **ข้อควรระวัง:** ตรวจสอบให้แน่ใจว่าได้ปิดสวิตช์เครื่องมือและถอดสลับแบตเตอรี่ออกก่อนดำเนินการใดๆ กับเครื่องมือ

## การติดตั้งหรือการถอดใบเลื่อยฉลุ

▲ **ข้อควรระวัง:** ทำความสะอาดเศษชิ้นส่วนหรือสิ่งแปลกปลอมที่ติดอยู่กับใบเลื่อยฉลุและ/หรือที่ยึดใบมีดเสมอ มิฉะนั้นอาจทำให้ชิ้นใบเลื่อยไม่แน่นพอ ซึ่งส่งผลให้เกิดการบาดเจ็บร้ายแรงได้

▲ **ข้อควรระวัง:** อย่าสัมผัสกับใบเลื่อยฉลุหรือชิ้นงานทันทีที่ทำงานเสร็จ เนื่องจากอาจมีความร้อนสูงและทำให้ผิวหนังไหม้ได้

▲ **ข้อควรระวัง:** ยึดใบเลื่อยฉลุให้แน่นอยู่เสมอ การขันใบเลื่อยไม่แน่นพออาจส่งผลให้ใบเลื่อยแตกหักหรือเกิดการบาดเจ็บร้ายแรงได้

▲ **ข้อควรระวัง:** ใช้ใบเลื่อยฉลุประเภท B เท่านั้น การใช้ใบเลื่อยอื่นนอกเหนือจากประเภท B จะทำให้ชิ้นใบเลื่อยได้ไม่แน่นพอ ซึ่งส่งผลให้เกิดการบาดเจ็บร้ายแรง

เมื่อต้องการติดตั้งใบเลื่อยฉลุ ให้คลายสลักเกลียวทวนเข็มนาฬิกาบนที่ยึดใบเลื่อยฉลุไฟฟ้าด้วยประแจหกเหลี่ยม

### ► หมายเลข 5: 1. ที่ยึดใบเลื่อยฉลุ 2. สลักเกลียว 3. ประแจหกเหลี่ยม

หันฟันเลื่อยไปด้านหน้า แล้วใส่ใบเลื่อยฉลุเข้าไปในที่ยึดใบเลื่อยจนสุด ตรวจสอบให้แน่ใจว่าขอบด้านหลังของใบเลื่อยยึดเข้ากับรอกพอดี แล้วขันสลักเกลียวตามเข็มนาฬิกาให้แน่นเพื่อยึดใบมีด

### ► หมายเลข 6: 1. สลักเกลียว 2. รอก 3. ใบเลื่อยฉลุ

เมื่อต้องการถอดใบเลื่อยฉลุไฟฟ้า ให้ปฏิบัติย้อนขั้นตอนการติดตั้ง

หมายเหตุ: หล่อลื่นรอกเป็นครั้งคราว

## การเก็บประแจหกเหลี่ยม

### ► หมายเลข 7: 1. ขอบเกี่ยว 2. ประแจหกเหลี่ยม

เมื่อไม่ใช้งาน ให้เก็บประแจหกเหลี่ยมตามที่แสดงในภาพเพื่อไม่ให้สูญหาย  
ขั้นแรก ให้สอดประแจหกเหลี่ยมเข้าไปในรู แล้วดันเข้าไปในขอบเกี่ยวจนลึกลง

## ฝาครอบกันฝุ่น

**⚠ ข้อควรระวัง:** สวมแว่นตาที่ปรับแสงเสมอแม้ในขณะที่ใช้เครื่องมือที่ลดฝาครอบกันฝุ่นลง

ลดฝาครอบกันฝุ่นลงเพื่อป้องกันไม่ให้เศษวัสดุปลิว อย่างไรก็ตาม ขณะทำการตัดมุมเอียง ให้ยกขึ้นจนสุด

▶ **หมายเลข 8:** 1. ฝาครอบกันฝุ่น

## การใช้งาน

**⚠ ข้อควรระวัง:** ยึดให้ฐานเป็นระนาบเดียวกับชิ้นงานเสมอ มิฉะนั้นอาจทำให้ใบเลื่อยแตกหัก ซึ่งส่งผลให้เกิดการบาดเจ็บร้ายแรงได้

**⚠ ข้อควรระวัง:** ดันเครื่องมือไปข้างหน้าอย่างช้าๆ ขณะตัดโค้งหรือวน การฝืนเครื่องมืออาจทำให้พื้นผิวการตัดเฉไปและทำให้ใบเลื่อยฉุดแตกหักได้

▶ **หมายเลข 9:** 1. แนวการตัด 2. ฐาน

เปิดเครื่องมือโดยไม่ให้ใบเลื่อยสัมผัสกับชิ้นงานแล้วรอให้ใบเลื่อยทำความเร็วสูงสุด แล้วจึงวางส่วนแบนของฐานลงบนชิ้นงานและขยับเครื่องมือไปข้างหน้าอย่างเบาๆ ตามแนวการตัดที่กำหนดไว้ก่อนหน้า

## การตัดมุมเอียง

**⚠ ข้อควรระวัง:** ตรวจสอบให้แน่ใจว่าได้ปิดสวิตช์เครื่องมือและถอดปลั๊กแบตเตอรี่ออกก่อนเอียงฐาน

**⚠ ข้อควรระวัง:** ยกฝาครอบกันฝุ่นขึ้นจนสุดก่อนทำการตัดมุมเอียง

เมื่อเอียงฐานแล้ว คุณสามารถทำการตัดมุมเอียงในองศาใดก็ได้ระหว่าง 0° ถึง 45° (ซ้ายหรือขวา)

▶ **หมายเลข 10**

คลายสลักเกลียวด้านหลังฐานด้วยประแจหกเหลี่ยม ขยับฐานเพื่อให้สลักเกลียวอยู่ในตำแหน่งตรงกลางช่องรูปกากบาทบนฐาน

▶ **หมายเลข 11:** 1. ประแจหกเหลี่ยม 2. สลักเกลียว 3. ฐาน

เอียงฐานจนได้มุมเอียงที่ต้องการ ขอบของกรอบมอเตอร์ระบุมุมเอียงระบุมุมเอียงไว้ด้วยเลขบอกระดับ แล้วขันสลักเกลียวให้แน่นเพื่อยึดฐาน

▶ **หมายเลข 12:** 1. ขอบ 2. เลขบอกระดับ

## การตัดระนาบด้านหน้า

▶ **หมายเลข 13:** 1. ประแจหกเหลี่ยม 2. สลักเกลียว 3. ฐาน

คลายสลักเกลียวด้านหลังฐานด้วยประแจหกเหลี่ยมและเลื่อนฐานไปด้านหลังจนสุด แล้วขันสลักเกลียวให้แน่นเพื่อยึดฐาน

## การตัด

การตัดสามารถทำได้ด้วยวิธีใดวิธีหนึ่งในสองวิธีนี้ คือ “การเจาะรูนำ” หรือ “การจ้วงตัด”

## การเจาะรูนำ

▶ **หมายเลข 14**

สำหรับการตัดภายในโดยไม่มีกรัดนำมาจากขอบ ให้เจาะรูนำขนาดเส้นผ่านศูนย์กลาง 12 mm ขึ้นไปไว้ล่วงหน้า ใส่ใบเลื่อยฉลุเข้าไปในรูนี้เพื่อเริ่มตัด

## การจ้วงตัด

▶ **หมายเลข 15**

คุณไม่จำเป็นต้องเจาะรูนำหรือทำการตัดนำหากคุณปฏิบัติดังต่อไปนี้อย่างระมัดระวัง

1. เอียงเครื่องมือขึ้นบนขอบด้านหน้าของฐานโดยให้จุดของใบเลื่อยฉลุอยู่เหนือพื้นผิวของชิ้นงาน
2. ใช้แรงกดลงบนเครื่องมือเพื่อให้ขอบด้านหน้าของฐานไม่ขยับเมื่อคุณเปิดเครื่องมือ และกดปลายด้านหลังของเครื่องมือลงอย่างเบาๆ และช้าๆ
3. เมื่อใบเลื่อยฉลุเจาะเข้าไปในชิ้นงาน ให้กดฐานเครื่องมือลงบนพื้นผิวชิ้นงาน
4. ตัดให้เสร็จตามปกติ

## การขีดขอบ

▶ **หมายเลข 16**

หากต้องการตัดแต่งขอบหรือทำการปรับขนาด ให้ใช้ใบเลื่อยฉลุตามแนวตัดเบาๆ

## การตัดโลหะ

ใช้สารหล่อเย็น (น้ำมันตัดกลึง) ที่เหมาะสมเมื่อตัดโลหะเสมอ มิฉะนั้น อาจทำให้ใบเลื่อยสึกหรออย่างมาก ด้านล่างชิ้นงานสามารถหาจาระบีได้แทนการใช้สเปรย์หล่อลื่น

## การดูดฝุ่น

- **หมายเลข 17:** 1. ท่อ (อุปกรณ์เสริม) 2. ฝาครอบกันฝุ่น

การตัดให้เรียบสามารถทำได้โดยเชื่อมต่อเครื่องมือนี้เข้ากับเครื่องดูดฝุ่น Makita

สอต่อกของเครื่องดูดฝุ่นเข้าไปในรูด้านหลังของเครื่องมือลดฝาครอบกันฝุ่นลงก่อนทำงาน

**หมายเหตุ:** การดูดฝุ่นจะไม่สามารถทำได้ขณะทำการตัดมุมเฉียง

## ฉากผ้า

### อุปกรณ์เสริม

▲ **ข้อควรระวัง:** ตรวจสอบให้แน่ใจว่าได้ปิดสวิตช์เครื่องมือและถอดด้ามแบตเตอรี่ออกก่อนติดตั้งหรือถอดอุปกรณ์เสริมออก

### การตัดตรง

เมื่อต้องการตัดที่ความกว้างไม่เกิน 160 mm ซ้ำๆ การใช้ฉากตัดจะทำให้สามารถตัดได้อย่างรวดเร็ว เรียบ และตรง

- **หมายเลข 18:** 1. ฉากตัด (ตัวนำ)

เมื่อต้องการติดตั้ง ให้ใส่ฉากตัดเข้าไปในรูรูปสี่เหลี่ยมมุมฉากบนด้านข้างของฐาน โดยให้ฉากนำคว่ำหน้าลง เลื่อนฉากตัดให้ถึงตำแหน่งความกว้างในการตัดที่ต้องการ แล้วขันสลักเกลียวให้แน่นเพื่อยึดไว้

- **หมายเลข 19:** 1. ประแจหกเหลี่ยม 2. สลักเกลียว 3. ฉากนำ 4. ฉากตัด (ตัวนำ)

### รอยตัดวงกลม

เมื่อตัดวงกลมหรือเส้นโค้งที่มีรัศมีไม่เกิน 170 mm ให้ติดตั้งฉากตัดดังนี้

- **หมายเลข 20:** 1. ฉากตัด (ตัวนำ)

1. ใส่ฉากตัดเข้าไปในรูรูปสี่เหลี่ยมมุมฉากบนด้านข้างของฐาน โดยให้ฉากนำหงายหน้าขึ้น
2. ใส่เข็มตัวนำรูปวงกลมผ่านรูใดรูหนึ่งในสองรูที่อยู่บนฉากนำ ขันปุ่มหมุนเกลียวเข้าไปในเข็มเพื่อยึดเข็ม

- **หมายเลข 21:** 1. ปุ่มหมุนเกลียว 2. ฉากนำ 3. ฉากตัด (ตัวนำ) 4. สลัก

3. เลื่อนฉากตัดให้ถึงรัศมีการตัดที่ต้องการ แล้วขันสลักเกลียวให้แน่นเพื่อยึดไว้กับที่ แล้วขยับฐานไปด้านหน้าจนสุด

**หมายเหตุ:** ใช้ใบเลื่อยฉลุหมายเลข B-17, B-18, B-26 หรือ B-27 ขณะตัดวงกลมหรือเส้นโค้งเสมอ

## อุปกรณ์ป้องกันเศษชิ้นส่วน

### อุปกรณ์เสริม สำหรับรุ่นฐานอลูมิเนียม

▲ **ข้อควรระวัง:** อุปกรณ์ป้องกันเศษชิ้นส่วนจะไม่สามารถใช้งานได้ขณะทำการตัดมุมเฉียง

- **หมายเลข 22:** 1. ฐาน 2. อุปกรณ์ป้องกันเศษชิ้นส่วน
- เพื่อให้การตัดไม่มีเศษชิ้นส่วนออกมา สามารถใช้อุปกรณ์ป้องกันเศษชิ้นส่วนได้ เมื่อต้องการติดตั้งอุปกรณ์ป้องกันเศษชิ้นส่วน ให้ขยับฐานเครื่องมือไปด้านหน้าจนสุดและยึดฐานจากด้านหลังของฐานเครื่องมือ
- เมื่อใช้แผ่นปิด ให้ติดตั้งอุปกรณ์ป้องกันเศษชิ้นส่วนบนแผ่นปิด

### แผ่นปิด

### อุปกรณ์เสริม สำหรับรุ่นฐานอลูมิเนียม

- **หมายเลข 23:** 1. แผ่นปิด 2. ฐาน

ใช้แผ่นปิดขณะตัดแผ่นไม้ประเภทสำหรับตกแต่ง พลาสติก และอื่นๆ ซึ่งจะป้องกันความเสียหายบนพื้นผิวที่บอบบางหรือเสียหายได้ง่าย ยึดไว้บนด้านหลังของฐานเครื่องมือ

## การบำรุงรักษา

▲ **ข้อควรระวัง:** ตรวจสอบให้แน่ใจว่าได้ปิดสวิตช์เครื่องมือและถอดด้ามแบตเตอรี่ออกก่อนทำการตรวจสอบหรือบำรุงรักษา

**ข้อสังเกต:** อย่าใช้น้ำมันเชื้อเพลิง เบนซิน ทินเนอร์ แอลกอฮอล์ หรือวัสดุประเภทเดียวกัน เนื่องจากอาจทำให้ลื่นหรือเสียหายได้

เพื่อความปลอดภัยและนำเชื้ออื้อของผลิตภัณฑ์ ควรให้ศูนย์บริการหรือโรงงานที่ผ่านการรับรองจาก Makita เป็นผู้ดำเนินการซ่อมแซม บำรุงรักษาและทำการปรับตั้งอื่นๆ นอกจากนี้ให้ใช้อะไหล่ของแท้จาก Makita เสมอ

## อุปกรณ์เสริม

**⚠ ข้อควรระวัง:** ขอแนะนำให้ใช้เฉพาะอุปกรณ์เสริมหรืออุปกรณ์ต่อพ่วงเหล่านี้กับเครื่องมือ Makita ที่ระบุในคู่มือการใช้อุปกรณ์เสริมหรืออุปกรณ์ต่อพ่วงอื่นๆ อาจมีความเสี่ยงที่จะได้รับบาดเจ็บ ใช้อุปกรณ์เสริมหรืออุปกรณ์ต่อพ่วงตามวัตถุประสงค์ที่ระบุไว้เท่านั้น

หากต้องการทราบรายละเอียดเพิ่มเติมเกี่ยวกับอุปกรณ์เสริมเหล่านี้ โปรดสอบถามศูนย์บริการ Makita ใกล้บ้านคุณ

- ใบเลื่อยฉลุ
- ประแจหกเหลี่ยม 3
- ชุดฉากตัด (ตัวนำ)
- อุปกรณ์ป้องกันเศษชิ้นส่วน
- สาย (สำหรับเครื่องดูดฝุ่น)
- แผ่นปิด
- แบตเตอรี่และเครื่องชาร์จ Makita ของแท้

**หมายเหตุ:** อุปกรณ์บางรายการอาจจะรวมอยู่ในชุดเครื่องมือเป็นอุปกรณ์มาตรฐาน ซึ่งอาจแตกต่างกันไปในแต่ละประเทศ





**Makita Corporation**  
3-11-8, Sumiyoshi-cho,  
Anjo, Aichi 446-8502 Japan  
[www.makita.com](http://www.makita.com)

885494D375  
EN, ZHCN, ID, MS,  
VI, TH  
20200907