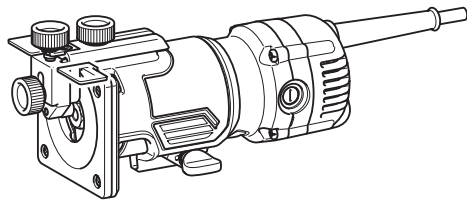




<b>EN</b>	Trimmer	<b>INSTRUCTION MANUAL</b>	<b>7</b>
<b>ZHCN</b>	木工修边机	使用说明书	<b>13</b>
<b>ID</b>	Mesin Profil	<b>PETUNJUK PENGGUNAAN</b>	<b>19</b>
<b>MS</b>	Pemangkas	<b>MANUAL ARAHAN</b>	<b>25</b>
<b>VI</b>	Máy Đánh Cạnh Cầm Tay Hoạt Động Bằng Động Cơ Điện	<b>TÀI LIỆU HƯỚNG DẪN</b>	<b>31</b>
<b>TH</b>	เครื่องฉลุสายไม้ไฟฟ้า	คู่มือการใช้งาน	<b>37</b>

## M3700



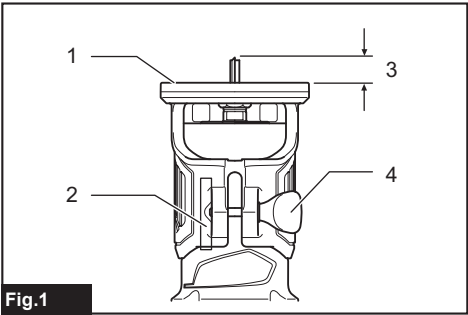


Fig.1

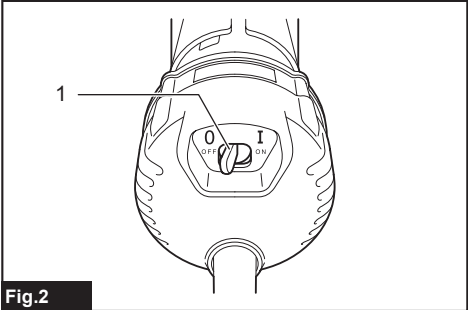


Fig.2

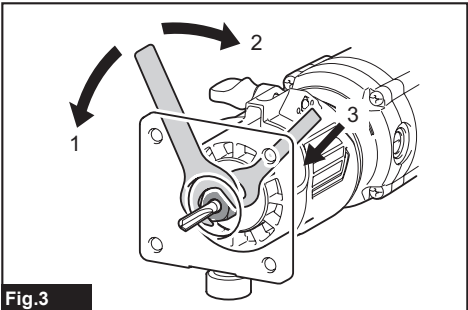


Fig.3

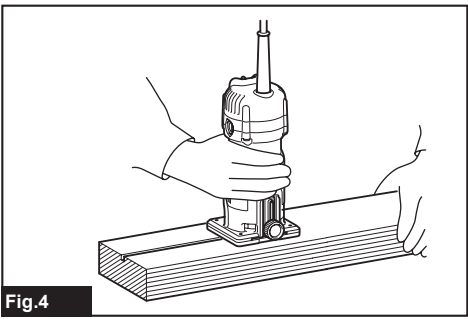


Fig.4

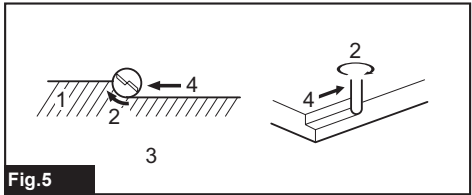


Fig.5

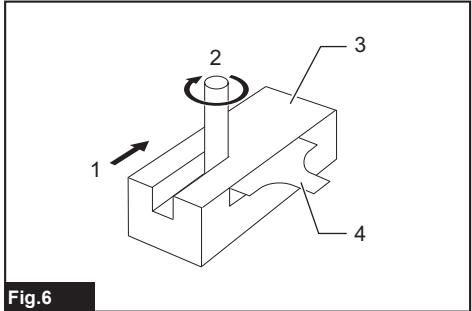


Fig.6

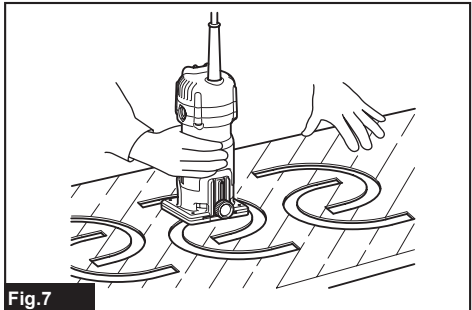


Fig.7

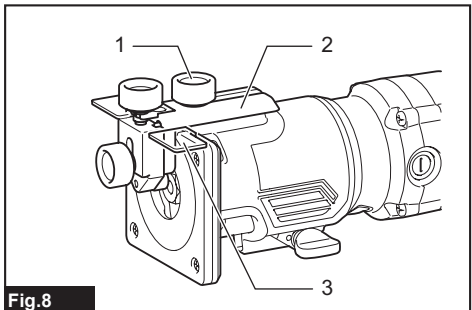
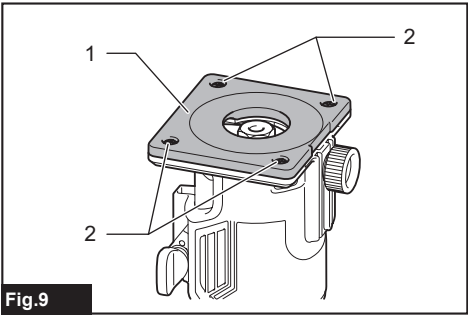
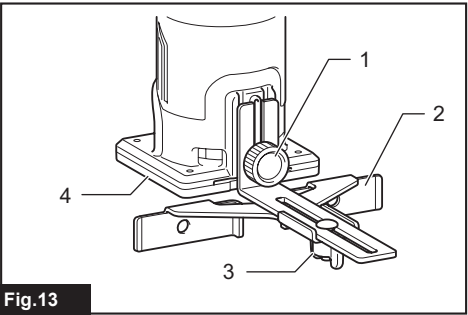


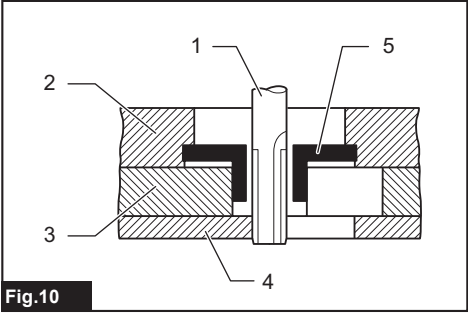
Fig.8



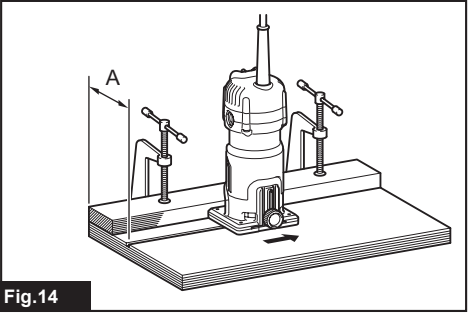
**Fig.9**



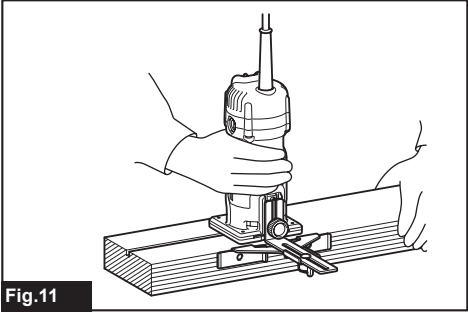
**Fig.13**



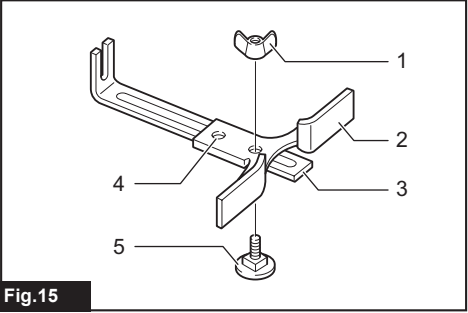
**Fig.10**



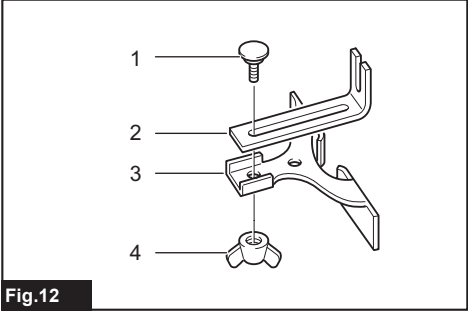
**Fig.14**



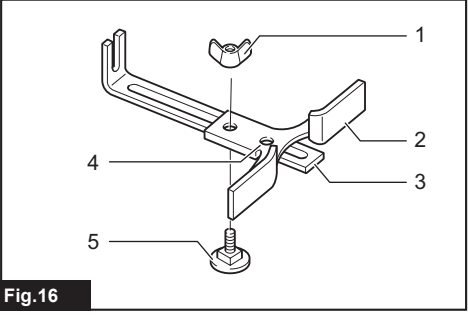
**Fig.11**



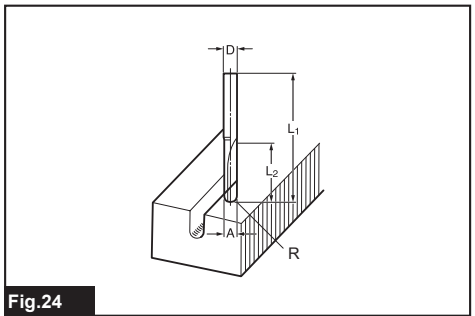
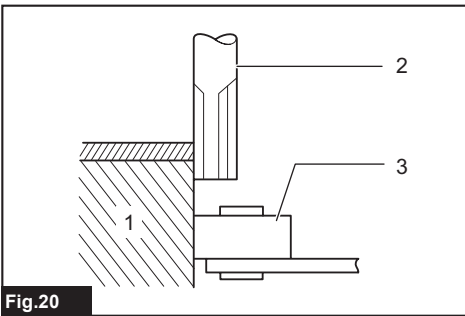
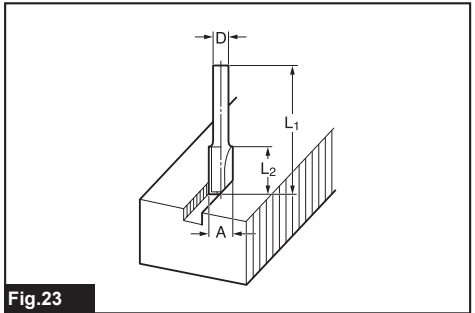
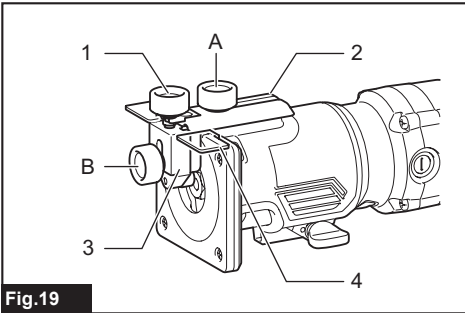
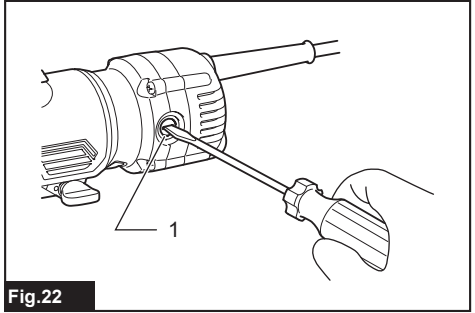
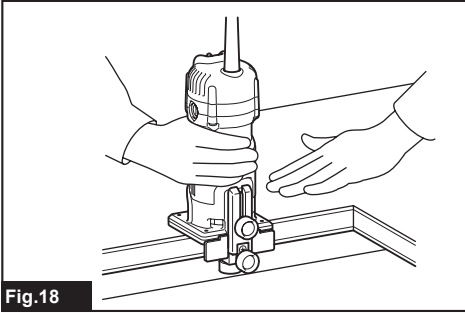
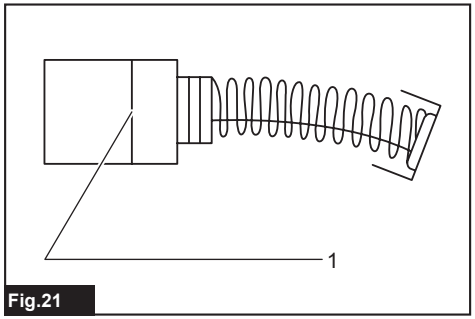
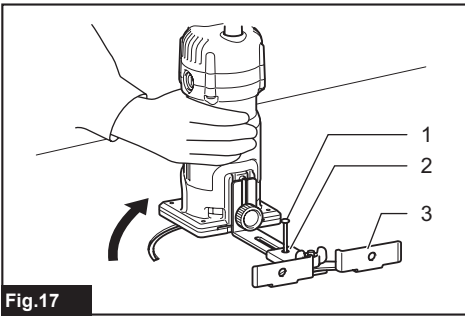
**Fig.15**

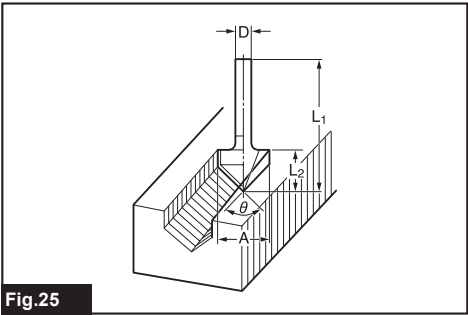


**Fig.12**

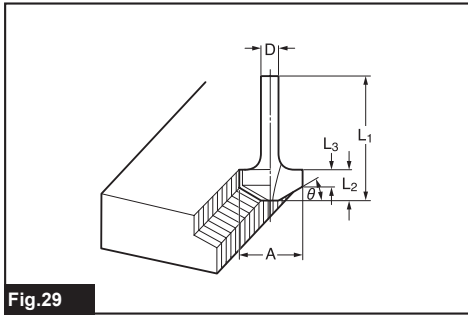


**Fig.16**

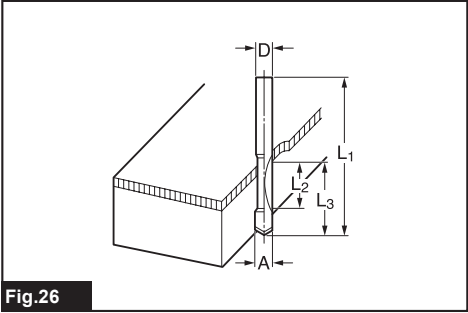




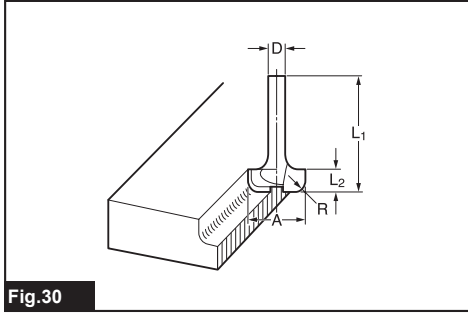
**Fig.25**



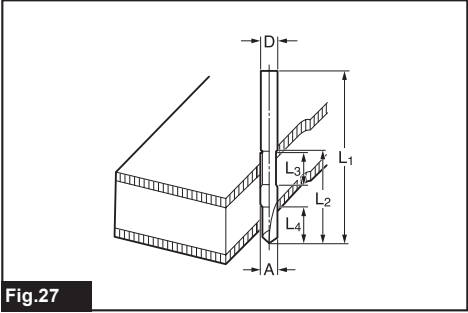
**Fig.29**



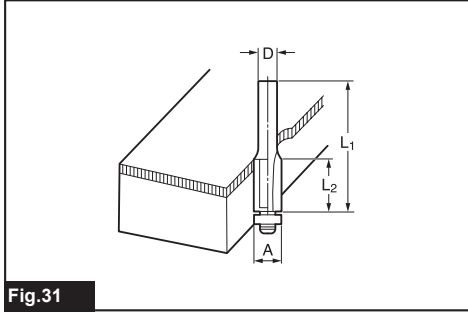
**Fig.26**



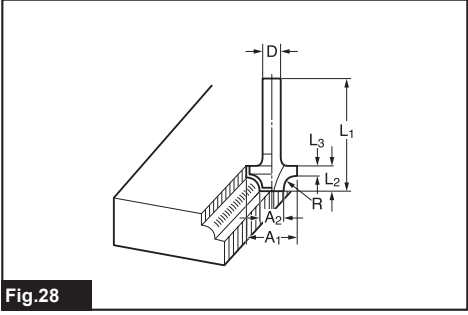
**Fig.30**



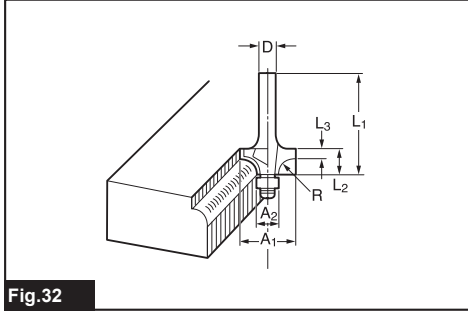
**Fig.27**



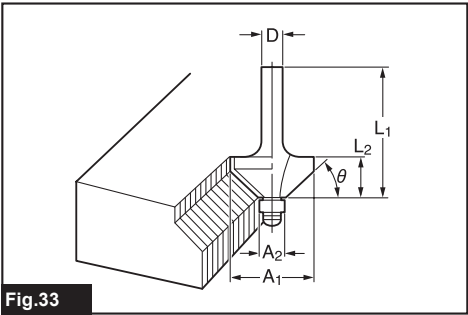
**Fig.31**



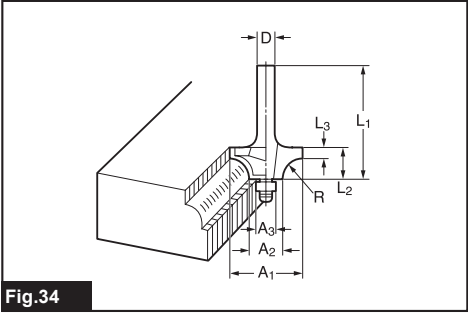
**Fig.28**



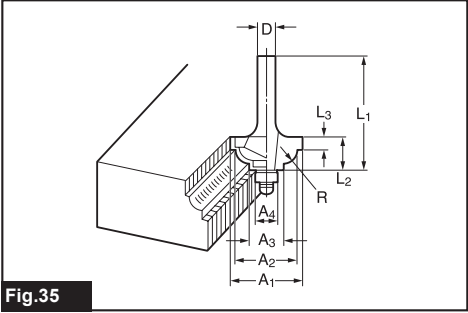
**Fig.32**



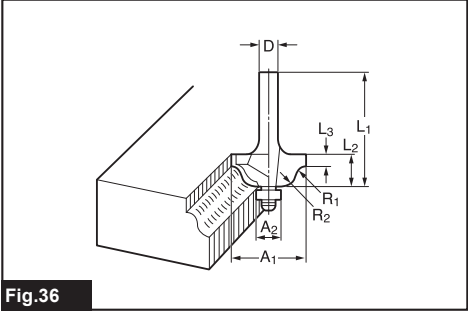
**Fig.33**



**Fig.34**



**Fig.35**



**Fig.36**




## SPECIFICATIONS

<b>Model:</b>	<b>M3700</b>
Collet chuck capacity	6.35 mm (1/4") or 6.0 mm
No load speed	35,000 min <sup>-1</sup>
Overall length	199 mm
Net weight	1.4 kg
Safety class	□/II

- Due to our continuing program of research and development, the specifications herein are subject to change without notice.
- Specifications may differ from country to country.
- Weight according to EPTA-Procedure 01/2003

## Symbols

The followings show the symbols used for the equipment. Be sure that you understand their meaning before use.

	Read instruction manual.
	DOUBLE INSULATION
	Only for EU countries Do not dispose of electric equipment together with household waste material! In observance of the European Directive, on Waste Electric and Electronic Equipment and its implementation in accordance with national law, electric equipment that have reached the end of their life must be collected separately and returned to an environmentally compatible recycling facility.

## Intended use

The tool is intended for flush trimming and profiling of wood, plastic and similar materials.

## Power supply

The tool should be connected only to a power supply of the same voltage as indicated on the nameplate, and can only be operated on single-phase AC supply. They are double-insulated and can, therefore, also be used from sockets without earth wire.

## General power tool safety warnings

**⚠ WARNING: Read all safety warnings and all instructions.** Failure to follow the warnings and instructions may result in electric shock, fire and/or serious injury.

## Save all warnings and instructions for future reference.

The term "power tool" in the warnings refers to your mains-operated (corded) power tool or battery-operated (cordless) power tool.

### Work area safety

1. **Keep work area clean and well lit.** Cluttered or dark areas invite accidents.
2. **Do not operate power tools in explosive atmospheres, such as in the presence of flammable liquids, gases or dust.** Power tools create sparks which may ignite the dust or fumes.
3. **Keep children and bystanders away while operating a power tool.** Distractions can cause you to lose control.

### Electrical Safety

1. **Power tool plugs must match the outlet. Never modify the plug in any way. Do not use any adapter plugs with earthed (grounded) power tools.** Unmodified plugs and matching outlets will reduce risk of electric shock.
2. **Avoid body contact with earthed or grounded surfaces, such as pipes, radiators, ranges and refrigerators.** There is an increased risk of electric shock if your body is earthed or grounded.
3. **Do not expose power tools to rain or wet conditions.** Water entering a power tool will increase the risk of electric shock.
4. **Do not abuse the cord. Never use the cord for carrying, pulling or unplugging the power tool. Keep cord away from heat, oil, sharp edges or moving parts.** Damaged or entangled cords increase the risk of electric shock.
5. **When operating a power tool outdoors, use an extension cord suitable for outdoor use.** Use of a cord suitable for outdoor use reduces the risk of electric shock.
6. **If operating a power tool in a damp location is unavoidable, use a residual current device (RCD) protected supply.** Use of an RCD reduces the risk of electric shock.

7. **Use of power supply via an RCD with a rated residual current of 30 mA or less is always recommended.**

#### Personal Safety

1. **Stay alert, watch what you are doing and use common sense when operating a power tool. Do not use a power tool while you are tired or under the influence of drugs, alcohol or medication.** A moment of inattention while operating power tools may result in serious personal injury.
2. **Use personal protective equipment. Always wear eye protection.** Protective equipment such as a dust mask, non-skid safety shoes, hard hat or hearing protection used for appropriate conditions will reduce personal injuries.
3. **Prevent unintentional starting. Ensure the switch is in the off-position before connecting to power source and/or battery pack, picking up or carrying the tool.** Carrying power tools with your finger on the switch or energising power tools that have the switch on invites accidents.
4. **Remove any adjusting key or wrench before turning the power tool on.** A wrench or a key left attached to a rotating part of the power tool may result in personal injury.
5. **Do not overreach. Keep proper footing and balance at all times.** This enables better control of the power tool in unexpected situations.
6. **Dress properly. Do not wear loose clothing or jewellery. Keep your hair, clothing, and gloves away from moving parts.** Loose clothes, jewellery or long hair can be caught in moving parts.
7. **If devices are provided for the connection of dust extraction and collection facilities, ensure these are connected and properly used.** Use of dust collection can reduce dust-related hazards.

#### Power tool use and care

1. **Do not force the power tool. Use the correct power tool for your application.** The correct power tool will do the job better and safer at the rate for which it was designed.
2. **Do not use the power tool if the switch does not turn it on and off.** Any power tool that cannot be controlled with the switch is dangerous and must be repaired.
3. **Disconnect the plug from the power source and/or the battery pack from the power tool before making any adjustments, changing accessories, or storing power tools.** Such preventive safety measures reduce the risk of starting the power tool accidentally.
4. **Store idle power tools out of the reach of children and do not allow persons unfamiliar with the power tool or these instructions to operate the power tool.** Power tools are dangerous in the hands of untrained users.
5. **Maintain power tools. Check for misalignment or binding of moving parts, breakage of parts and any other condition that may affect the power tool's operation. If damaged, have the power tool repaired before use.** Many accidents are caused by poorly maintained power tools.

6. **Keep cutting tools sharp and clean.** Properly maintained cutting tools with sharp cutting edges are less likely to bind and are easier to control.
7. **Use the power tool, accessories and tool bits etc. in accordance with these instructions, taking into account the working conditions and the work to be performed.** Use of the power tool for operations different from those intended could result in a hazardous situation.

#### Service

1. **Have your power tool serviced by a qualified repair person using only identical replacement parts.** This will ensure that the safety of the power tool is maintained.
2. **Follow instruction for lubricating and changing accessories.**
3. **Keep handles dry, clean and free from oil and grease.**

### Trimmer safety warnings

1. **Hold power tool by insulated gripping surfaces, because the cutter may contact its own cord.** Cutting a "live" wire may make exposed metal parts of the power tool "live" and shock the operator.
2. **Use clamps or another practical way to secure and support the workpiece to a stable platform.** Holding the work by your hand or against the body leaves it unstable and may lead to loss of control.
3. **Wear hearing protection during extended period of operation.**
4. **Handle the trimmer bits very carefully.**
5. **Check the trimmer bit carefully for cracks or damage before operation. Replace cracked or damaged bit immediately.**
6. **Avoid cutting nails. Inspect for and remove all nails from the workpiece before operation.**
7. **Hold the tool firmly.**
8. **Keep hands away from rotating parts.**
9. **Make sure the trimmer bit is not contacting the workpiece before the switch is turned on.**
10. **Before using the tool on an actual workpiece, let it run for a while. Watch for vibration or wobbling that could indicate improperly installed bit.**
11. **Be careful of the trimmer bit rotating direction and the feed direction.**
12. **Do not leave the tool running. Operate the tool only when hand-held.**
13. **Always switch off and wait for the trimmer bit to come to a complete stop before removing the tool from workpiece.**
14. **Do not touch the trimmer bit immediately after operation; it may be extremely hot and could burn your skin.**
15. **Do not smear the tool base carelessly with thinner, gasoline, oil or the like. They may cause cracks in the tool base.**
16. **Use trimmer bits of the correct shank diameter suitable for the speed of the tool.**



17. **Some material contains chemicals which may be toxic. Take caution to prevent dust inhalation and skin contact. Follow material supplier safety data.**
18. **Always use the correct dust mask/respirator for the material and application you are working with.**

## SAVE THESE INSTRUCTIONS.

**⚠ WARNING:** DO NOT let comfort or familiarity with product (gained from repeated use) replace strict adherence to safety rules for the subject product. MISUSE or failure to follow the safety rules stated in this instruction manual may cause serious personal injury.

## FUNCTIONAL DESCRIPTION

**⚠ CAUTION:** Always be sure that the tool is switched off and unplugged before adjusting or checking function on the tool.

### Adjusting trimmer bit protrusion

To adjust the bit protrusion, loosen the clamping screw and move the tool base up or down as desired. After adjusting, tighten the clamping screw firmly to secure the tool base.

► **Fig.1:** 1. Base 2. Scale 3. Bit protrusion 4. Clamping screw

### Switch action

**⚠ CAUTION:** Before plugging in the tool, always be sure that the tool is switched off.

To start the tool, move the switch lever to the I position. To stop the tool, move the switch lever to the O position.

► **Fig.2:** 1. Switch lever

## ASSEMBLY

**⚠ CAUTION:** Always be sure that the tool is switched off and unplugged before carrying out any work on the tool.

### Installing or removing trimmer bit

**⚠ CAUTION:** Do not tighten the collet nut without inserting a trimmer bit, or the collet cone will break.

**⚠ CAUTION:** Use only the wrenches provided with the tool.

Insert the trimmer bit all the way into the collet cone and tighten the collet nut securely with the two wrenches. To remove the bit, follow the installation procedure in reverse.

► **Fig.3:** 1. Loosen 2. Tighten 3. Hold

## OPERATION

**⚠ CAUTION:** Always hold the tool firmly with one hand on housing. Do not touch the metal part.

**⚠ CAUTION:** Since excessive cutting may cause overload of the motor or difficulty in controlling the tool, the depth of cut should not be more than 3 mm at a pass when cutting grooves. When you wish to cut grooves more than 3 mm deep, make several passes with progressively deeper bit settings.

1. Set the tool base on the workpiece to be cut without the trimmer bit making any contact.
2. Turn the tool on and wait until the trimmer bit attains full speed.
3. Move the tool forward over the workpiece surface, keeping the tool base flush and advancing smoothly until the cutting is complete.

► **Fig.4**

When doing edge cutting, the workpiece surface should be on the left side of the trimmer bit in the feed direction.

► **Fig.5:** 1. Workpiece 2. Bit revolving direction 3. View from the top of the tool 4. Feed direction

When using the straight guide or the trimmer guide, be sure to keep it on the right side in the feed direction. This will help to keep it flush with the side of the workpiece.

► **Fig.6:** 1. Feed direction 2. Bit revolving direction 3. Workpiece 4. Straight guide

**NOTE:** Moving the tool forward too fast may cause a poor quality of cut, or damage to the trimmer bit or motor. Moving the tool forward too slowly may burn and mar the cut. The proper feed rate will depend on the bit size, the kind of workpiece and depth of cut. Before beginning the cut on the actual workpiece, it is advisable to make a sample cut on a piece of scrap lumber. This will show exactly how the cut will look as well as enable you to check dimensions.

### Templet guide

The templet guide provides a sleeve through which the trimmer bit passes, allowing use of the trimmer with templet patterns.

► **Fig.7**

1. Loosen the clamping screw and then remove the guide holder and the chip deflector.

► **Fig.8:** 1. Clamping screw 2. Guide holder 3. Chip deflector

2. Loosen the screws and remove the base protector.
  - ▶ **Fig.9:** 1. Base protector 2. Screws
3. Place the templet guide on the base and replace the base protector. Then secure the base protector by tightening the screws.
4. Secure the templet to the workpiece. Place the tool on the templet and move the tool with the templet guide sliding along the side of the templet.
  - ▶ **Fig.10:** 1. Trimmer bit 2. Base 3. Templet 4. Workpiece 5. Templet guide

**NOTE:** The workpiece will be cut a slightly different size from the templet. Allow for the distance (X) between the trimmer bit and the outside of the templet guide. The distance (X) can be calculated by using the following equation:

$$\text{Distance (X)} = (\text{outside diameter of the templet guide} - \text{trimmer bit diameter}) / 2$$

## Straight guide

### Optional accessory

The straight guide is effectively used for straight cuts when chamfering or grooving.

▶ **Fig.11**

1. Attach the guide plate to the straight guide with the bolt and the wing nut.
  - ▶ **Fig.12:** 1. Bolt 2. Guide plate 3. Straight guide 4. Wing nut
2. Remove the guide holder and the chip deflector then attach the straight guide with the clamping screw.
  - ▶ **Fig.13:** 1. Clamping screw 2. Straight guide 3. Wing nut 4. Base
3. Loosen the wing nut on the straight guide and adjust the distance between the trimmer bit and the straight guide. At the desired distance, tighten the wing nut securely.
4. When cutting, move the tool with the straight guide flush with the side of the workpiece.

If the distance (A) between the side of the workpiece and the cutting position is too wide for the straight guide, or if the side of the workpiece is not straight, the straight guide cannot be used. In this case, firmly clamp a straight board to the workpiece and use it as a guide against the trimmer base. Feed the tool in the direction of the arrow.

▶ **Fig.14**

## Circular work

Circular work may be accomplished if you assemble the straight guide and guide plate. Minimum and maximum radius of circles to be cut (distance between the center of circle and the center of trimmer bit) are as follows:

- Minimum : 70 mm
- Maximum : 221 mm

### For cutting circles between 70 mm and 121 mm in radius

- ▶ **Fig.15:** 1. Wing nut 2. Straight guide 3. Guide plate 4. Center hole 5. Bolt

### For cutting circles between 121 mm and 221 mm in radius

- ▶ **Fig.16:** 1. Wing nut 2. Straight guide 3. Guide plate 4. Center hole 5. Bolt

**NOTE:** Circles between 172 mm and 186 mm in radius cannot be cut using this guide.

1. Align the center hole in the straight guide with the center of the circle to be cut.
2. Drive a nail less than 6 mm in diameter into the center hole to secure the straight guide.
3. Pivot the tool around the nail in clockwise direction.
  - ▶ **Fig.17:** 1. Nail 2. Center hole 3. Straight guide

## Trimmer guide

Trimming, curved cuts in veneers for furniture and the like can be done easily with the trimmer guide. The guide roller rides the curve and assures a fine cut.

▶ **Fig.18**

1. Attach the chip deflector on the groove of the base.
2. Install the trimmer guide and guide holder on the tool base with the clamping screw (A).
3. Loosen the clamping screw (B) and adjust the distance between the trimmer bit and the trimmer guide by turning the adjusting screw (1 mm per turn). At the desired distance, tighten the clamping screw (B) to secure the trimmer guide in place.
  - ▶ **Fig.19:** 1. Adjusting screw 2. Guide holder 3. Trimmer guide 4. Chip deflector
4. When cutting, move the tool with the guide roller riding the side of the workpiece.
  - ▶ **Fig.20:** 1. Workpiece 2. Trimmer bit 3. Guide roller

## MAINTENANCE

**CAUTION:** Always be sure that the tool is switched off and unplugged before attempting to perform inspection or maintenance.

**NOTICE:** Never use gasoline, benzine, thinner, alcohol or the like. Discoloration, deformation or cracks may result.

## Replacing carbon brushes

- ▶ **Fig.21:** 1. Limit mark

Check the carbon brushes regularly. Replace them when they wear down to the limit mark. Keep the carbon brushes clean and free to slip in the holders. Both carbon brushes should be replaced at the same time. Use only identical carbon brushes.

1. Use a screwdriver to remove the brush holder caps.
2. Take out the worn carbon brushes, insert the new ones and secure the brush holder caps.
  - ▶ **Fig.22:** 1. Brush holder cap

To maintain product SAFETY and RELIABILITY, repairs, any other maintenance or adjustment should be performed by Makita Authorized or Factory Service Centers, always using Makita replacement parts.

## OPTIONAL ACCESSORIES

**CAUTION:** These accessories or attachments are recommended for use with your Makita tool specified in this manual. The use of any other accessories or attachments might present a risk of injury to persons. Only use accessory or attachment for its stated purpose.

If you need any assistance for more details regarding these accessories, ask your local Makita Service Center.

**NOTE:** Some items in the list may be included in the tool package as standard accessories. They may differ from country to country.

### Trimmer bits

**Straight bit**  
► Fig.23

Unit:mm

D	A	L1	L2
6	20	50	15
1/4"			
6	8	50	18
1/4"			
6	6	50	18
1/4"			

**U-grooving bit**  
► Fig.24

Unit:mm

D	A	L1	L2	R
6	6	60	28	3
1/4"				

**V-grooving bit**  
► Fig.25

Unit:mm

D	A	L1	L2	θ
1/4"	20	50	15	90°

**Drill point flush trimming bit**

► Fig.26

Unit:mm

D	A	L1	L2	L3
6	6	60	18	28
1/4"				

**Drill point double flush trimming bit**

► Fig.27

Unit:mm

D	A	L1	L2	L3	L4
6	6	70	40	12	14
1/4"					

**Corner rounding bit**

► Fig.28

Unit:mm

D	A1	A2	L1	L2	L3	R
6	25	9	48	13	5	8
1/4"						
6	20	8	45	10	4	4
1/4"						

**Chamfering bit**

► Fig.29

Unit:mm

D	A	L1	L2	L3	θ
6	23	46	11	6	30°
6	20	50	13	5	45°
6	20	49	14	2	60°

**Cove beading bit**

► Fig.30

Unit:mm

D	A	L1	L2	R
6	20	43	8	4
6	25	48	13	8

**Ball bearing flush trimming bit**

► Fig.31

Unit:mm

D	A	L1	L2
6	10	50	20
1/4"			

**Ball bearing corner rounding bit****► Fig.32**

Unit:mm

D	A1	A2	L1	L2	L3	R
6	15	8	37	7	3.5	3
6	21	8	40	10	3.5	6
1/4"	21	8	40	10	3.5	6

**Ball bearing chamfering bit****► Fig.33**

Unit:mm

D	A1	A2	L1	L2	θ
6	26	8	42	12	45°
1/4"					
6	20	8	41	11	60°

**Ball bearing beading bit****► Fig.34**

Unit:mm

D	A1	A2	A3	L1	L2	L3	R
6	20	12	8	40	10	5.5	4
6	26	12	8	42	12	4.5	7

**Ball bearing cove beading bit****► Fig.35**

Unit:mm

D	A1	A2	A3	A4	L1	L2	L3	R
6	20	18	12	8	40	10	5.5	3
6	26	22	12	8	42	12	5	5

**Ball bearing roman ogee bit****► Fig.36**

Unit:mm

D	A1	A2	L1	L2	L3	R1	R2
6	20	8	40	10	4.5	2.5	4.5
6	26	8	42	12	4.5	3	6

## 规格

型号:	M3700
弹簧夹头能力	6.35 mm (1/4") 或 6.0 mm
空载速度	35,000 r/min
长度	199 mm
净重	1.4 kg
安全等级	II

- 生产者保留变更规格不另行通知之权利。
- 规格可能因销往国家之不同而异。
- 重量符合EPTA-Procedure 01/2003

## 符号

以下显示本工具使用的符号。在使用工具之前请务必理解其含义。



阅读使用说明书。



II类工具



仅限于欧盟国家  
请勿将电气设备与家庭普通废弃物一同丢弃！请务必遵守欧洲关于废弃电子电气设备的指令，根据各国法律法规执行。达到使用寿命的电气设备必须分类回收至符合环境保护规定的再循环机构。

## 用途

本工具用于对木材、塑料和类似材料的修整和压型。

## 电源

本工具只可连接电压与铭牌所示电压相同的电源，且仅可使用单相交流电源。本工具双重绝缘，因此也可用于不带接地线的插座。

## 电动工具通用安全警告

**警告：** 阅读所有警告和所有说明。不遵照以下警告和说明会导致电击、着火和 / 或严重伤害。

## 保存所有警告和说明书以备查阅。

在所有下列的警告中术语“电动工具”指手电驱动（有线）电动工具或电池驱动（无线）电动工具。

### 工作场地的安全

1. 保持工作场地清洁和明亮。混乱和黑暗的场地会引发事故。
2. 不要在易爆环境，如有易燃液体、气体或粉尘的环境下操作电动工具。电动工具产生的火花会点燃粉尘或气体。
3. 让儿童和旁观者离开后操作电动工具。注意力不集中会使操作者失去对工具的控制。

### 电气安全

1. 电动工具插头必须与插座相配。绝不能以任何方式改装插头。需接地的电动工具不能使用任何转换插头。未经改装的插头和相配的插座将减少电击危险。
2. 避免人体接触接地表面，如管道、散热片和冰箱。如果你身体接地会增加电击危险。
3. 不得将电动工具暴露在雨中或潮湿环境中。水进入电动工具将增加电击危险。
4. 不得滥用电线。绝不能用电线搬运、拉动电动工具或拔出其插头。使电线远离热源、油、锐边或运动部件。受损或缠绕的软线会增加电击危险。
5. 当在户外使用电动工具时，使用适合户外使用的外接软线。适合户外使用的软线将减少电击危险。

- 如果在潮湿环境下操作电动工具是不可以避免的，应使用剩余电流动作保护器（RCD）。使用RCD可减少电击危险。
- 始终建议通过额定剩余电流为30 mA或以下的RCD来使用电源。

### 人身安全

- 保持警觉，当操作电动工具时关注所从事的操作并保持清醒。当你感到疲倦，或在有药物、酒精或治疗反应时，不要操作电动工具。在操作电动工具时瞬间的疏忽会导致严重人身伤害。
- 使用个人防护装置。始终佩戴护目镜。安全装置，诸如适当条件下使用防尘面具、防滑安全鞋、安全帽、听力防护等装置能减少人身伤害。
- 防止意外起动的。确保开关在连接电源和/或电池盒、拿起或搬运工具时处于关断位置。手指放在已接通电源的开关上或开关处于接通时插入插头可能会导致危险。
- 在电动工具接通之前，拿掉所有调节钥匙或扳手。遗留在电动工具旋转零件上的扳手或钥匙会导致人身伤害。
- 手不要伸展得太长。时刻注意立足点和身体平衡。这样在意外情况下能很好地控制电动工具。
- 着装适当。不要穿宽松衣服或佩戴饰品。松衣服、手套和头发远离运动部件。宽松衣服、佩饰或长发可能会卷入运动部件中。
- 如果提供了与排屑、集尘设备连接用的装置，要确保他们连接完好且使用得当。使用这些装置可减少尘屑引起的危险。

### 电动工具使用和注意事项

- 不要滥用电动工具，根据用途使用适当的电动工具。选用适当设计的电动工具会使你工作更有效、更安全。
- 如果开关不能接通或关断工具电源，则不能使用该电动工具。不能用开关来控制的电动工具是危险的且必须进行修理。
- 在进行任何调节、更换附件或贮存电动工具之前，必须从电源上拔掉插头和/或使电池盒与工具脱离。这种防护性措施将减少工具意外起动的危险。
- 将闲置不用的电动工具贮存在儿童所及范围之外，并且不要让不熟悉电动工具或对这些说明不了解的人操作电动工具。电动工具在未经培训的用户手中是危险的。

- 保养电动工具。检查运动件是否调整到位或卡住，检查零件破损情况和影响电动工具运行的其他状况。如有损坏，电动工具应在使用前修理好。许多事故由维护不良的电动工具引发。
- 保持切削刀具锋利和清洁。保养良好的有锋利切削刃的刀具不易卡住而且容易控制。
- 按照使用说明书，考虑作业条件和进行的作业来使用电动工具、附件和工具的刀头等。将电动工具用于那些与其用途不符的操作可能会导致危险。

### 维修

- 将你的电动工具送交专业维修人员，使用同样的备件进行修理。这样将确保所维修的电动工具的安全性。
- 上润滑油及更换附件时请遵循本说明书指示。
- 手柄务必保持干燥、清洁、无油（脂）。

### 木工修边机安全警告

- 因为刀具可能会接触到自身的电线，操作工具时请握住工具的绝缘抓握表面。切割“带电”的电线时，电动工具上暴露的金属部分可能也会“带电”，并使操作者触电。
- 请使用螺丝钳或其他可行的方式将工件夹紧并固定在稳定的平台上。手持工件或将工件抵在身上，可能会导致工件摆放不稳，使工具失去控制。
- 长时间操作时请佩戴耳罩。
- 装卸木工修边机刀头时，需十分小心。
- 操作之前请仔细检查木工修边机刀头上是否有裂缝或损坏。立即更换有裂缝或损坏的木工修边机刀头。
- 注意不要切割到铁钉。操作之前请检查并清除工件上的所有铁钉。
- 请牢握本工具。
- 手应远离旋转的部件。
- 打开开关前，请确认木工修边机刀头未与工件接触。
- 在实际的工件上使用工具之前，请先让工具空转片刻。请注意，振动或摇摆可能表示木工修边机刀头安装不当。
- 注意木工修边机刀头旋转方向和馈送方向。
- 运行中的工具不可离手放置。只可在手握工具的情况下操作工具。

13. 将工具从工件上取下之前，请务必关闭工具电源并等待木工修边机刀头完全停止。
14. 操作完成后，请勿立刻触摸木工修边机刀头，因为其可能会非常烫，导致烫伤皮肤。
15. 请勿使用稀释剂、汽油、油或类似物品涂抹工具基座。它们可能会导致工具基座开裂。
16. 根据工具速度使用具有合适刀柄直径的木工修边机刀头。
17. 某些材料含有有毒化学物质。小心不要吸入粉尘，并避免皮肤接触。遵循材料供应商的安全提示。
18. 根据您的操作的材料及应用，请务必使用正确的防尘面罩 / 呼吸器。

## 请保留此说明书。

**警告：** 请勿为图方便或因对产品足够熟悉（由于重复使用而获得的经验）而不严格遵循相关产品安全规则。使用不当或不遵循使用说明书中的安全规则会导致严重的人身伤害。

## 功能描述

**小心：** 在调节或检查工具功能之前，请务必关闭工具电源开关并拔下电源插头。

## 调节木工修边机刀头凸出部分

调节刀头凸出部分时，请松开夹紧螺丝并根据需要上下移动工具基座。完成调节后，请紧固夹紧螺丝以固定工具基座。

- **图片1:** 1. 基座 2. 刻度 3. 刀头凸出部分  
4. 夹紧螺丝

## 开关操作

**小心：** 插上工具电源之前，请确认工具电源已关闭。

启动工具时，将开关柄移动到I位置。停止工具时，将开关柄移动到O位置。

- **图片2:** 1. 开关柄

## 装配

**小心：** 对工具进行任何装配操作前请务必确认机器已关闭且已拔下电源插头。

## 安装或拆卸木工修边机刀头

**小心：** 请勿在未插入木工修边机刀头的情况下拧紧筒夹螺母，否则会损坏锥形筒夹。

**小心：** 请仅使用本工具附带的扳手。

将木工修边机刀头完全插入锥形筒夹，然后使用两个扳手拧紧筒夹螺母。拆下刀头时，按与安装步骤相反的顺序进行。

- **图片3:** 1. 拧松 2. 拧紧 3. 握持

## 操作

**小心：** 务必单手置于外壳上握紧工具。不可触摸金属部件。

**小心：** 由于过度切割可能会导致电机过载或使工具变得难以控制，因此在切槽时，一次切割深度不应超过3 mm。如果需要切割超过3 mm深的槽时，请分多次进行切割，并逐渐加深刀头设定深度。

1. 将工具基座放在要切割的工件上，木工修边机刀头不得与工件有任何接触。
2. 启动工具并等待，直至木工修边机刀头达到全速运转时再进行操作。
3. 在工件表面向前移动本工具，保持工具基座水平并平稳地向前推动，直至切割操作完成。

- **图片4**

进行切边时，工件表面应在馈送方向的木工修边机刀头左侧。

- **图片5:** 1. 工件 2. 刀头旋转方向 3. 从工具顶部观看 4. 馈送方向

使用直线导板或木工修边机导板时，请确保将其安装在馈送方向的右侧。这有助于保持其与工件的侧边平齐。

- **图片6:** 1. 馈送方向 2. 刀头旋转方向  
3. 工件 4. 直线导板



**注：** 太快地向前移动本工具可能会导致切割不良，或者损坏木工修边机刀头或电机。太慢地向前移动本工具可能会灼烧和损毁切口。馈送率依据刀头尺寸、工件类型和切割深度而定。在实际的工件上开始切割之前，建议先在废弃木材上进行一次简单的切割。这不仅能精确的显示切割情况，也能让您检查切割的尺寸。

## 样规导板

样规导板具有一个供木工修边机刀头穿过的套筒，可以允许使用带样规模式的木工修边机。

### ► 图片7

1. 旋松夹紧螺丝，然后拆下导板支架和碎屑挡板。

► **图片8：** 1. 夹紧螺丝 2. 导板支架 3. 碎屑挡板

2. 旋松螺丝，拆下基座保护装置。

► **图片9：** 1. 基座保护装置 2. 螺丝

3. 将样规导板置于基座上并更换基座保护装置。然后拧紧螺丝以固定基座保护装置。

4. 将样规紧固在工件上。将工具放置在样规上，在将样规导板沿样规侧滑动的情况下移动工具。

► **图片10：** 1. 木工修边机刀头 2. 基座 3. 样规 4. 工件 5. 样规导板

**注：** 将与样规略有不同的尺寸切割工件。在木工修边机刀头和样规导板外部之间留出一定的距离(X)。可使用下列方程式计算距离(X)：

**距离(X) = (样规导板的外径-木工修边机刀头直径) / 2**

## 直线导板

### 选购附件

斜刨削或开槽时，使用直线导板进行直线切割尤为有效。

### ► 图片11

1. 使用螺栓和蝶形螺母将导向板安装至直线导板。

► **图片12：** 1. 螺栓 2. 导向板 3. 直线导板 4. 蝶形螺母

2. 拆下导板支架和碎屑挡板，然后使用夹紧螺丝安装直线导板。

► **图片13：** 1. 夹紧螺丝 2. 直线导板 3. 蝶形螺母 4. 基座

3. 松开直线导板上的蝶形螺母，并调节木工修边机刀头和直线导板之间的距离。在所需的距离位置上，拧紧蝶形螺母。

4. 切割时，在直线导板与工件的一侧平齐的情况下移动工具。

如果工件一侧与切割位置之间的距离(A)对于直线导板来说过宽，或者如果工件的一侧不直，直线导板无法使用。在这种情况下，可将一个直导板牢固地夹紧至工件上，并使其抵住木工修边机基座，作为导板使用。朝箭头方向馈送工具。

► **图片14**

## 圆形切割

装配直线导板和导向板，即可实现圆形切割。可切割的最小和最大半径(圆心和木工修边机刀头中心的距离)如下：

- 最小：70 mm
- 最大：221 mm

用于半径为70 mm至121 mm的切割圆

► **图片15：** 1. 蝶形螺母 2. 直线导板 3. 导向板 4. 中心孔 5. 螺栓

用于半径为121 mm至221 mm的切割圆

► **图片16：** 1. 蝶形螺母 2. 直线导板 3. 导向板 4. 中心孔 5. 螺栓

**注：** 无法使用该导板切割半径为172 mm至186 mm的圆。

1. 对齐直线导板上的中心孔和要切割圆的圆心。

2. 在中心孔中钉入一个直径小于6 mm的钉子以固定直线导板。

3. 以钉子为轴顺时针转动工具。

► **图片17：** 1. 钉子 2. 中心孔 3. 直线导板

## 木工修边机导板

家具层板的修整、曲线切割，以及类似的操作可以轻松的使用木工修边机导板进行操作。导辊划出曲线，确保了良好的切割。

### ► 图片18

1. 将碎屑挡板安装在基座的凹槽中。

2. 使用夹紧螺丝(A)，在工具基座上安装木工修边机导板和导板支架。



3. 拧松夹紧螺丝 (B) 并旋拧调节螺丝 (每圈 1 mm) 以调节木工修边机刀头和木工修边机导轨之间的距离。达到所需距离后, 拧紧夹紧螺丝 (B), 将木工修边机导轨固定到位。

► **图片 19:** 1. 调节螺丝 2. 导板支架 3. 木工修边机导板 4. 碎屑挡板

4. 切割时, 在导辊置于工件的一侧上的情况下移动工具。

► **图片 20:** 1. 工件 2. 木工修边机刀头 3. 导辊

**注:** 本列表中的一些部件可能作为标准配件包含于工具包装内。它们可能因销往国家之不同而异。

## 木工修边机刀头

直刀头

► **图片 23**

单位: mm

D	A	L1	L2
6	20	50	15
1/4"			
6	8	50	18
1/4"			
6	6	50	18
1/4"			

U型刀头

► **图片 24**

单位: mm

D	A	L1	L2	R
6	6	60	28	3
1/4"				

V型刀头

► **图片 25**

单位: mm

D	A	L1	L2	θ
1/4"	20	50	15	90°

钻尾修边刀头

► **图片 26**

单位: mm

D	A	L1	L2	L3
6	6	60	18	28
1/4"				

## 保养

**⚠小心:** 检查或保养工具之前, 请务必关闭工具电源开关并拔出插头。

**注意:** 切勿使用汽油、苯、稀释剂、酒精或类似物品清洁工具。否则可能会导致工具变色、变形或出现裂缝。

## 更换碳刷

► **图片 21:** 1. 界限磨耗线

定期检查碳刷。

在碳刷磨损到界限磨耗线时进行更换。请保持碳刷清洁并使其在碳刷夹内能自由滑动。两个碳刷应同时替换。请仅使用相同的碳刷。

1. 使用螺丝起子拆下碳刷夹盖。

2. 取出已磨损的碳刷, 插入新的碳刷, 然后紧固碳刷夹盖。

► **图片 22:** 1. 碳刷夹盖

为了保证产品的安全与可靠性, 维修、任何其他维修保养或调节需由 Makita (牧田) 授权的或工厂维修服务中心完成。务必使用 Makita (牧田) 的替换部件。

## 选购附件

**⚠小心:** 这些附件或装置专用于本说明书所列的 Makita (牧田) 工具。如使用其他厂牌附件或装置, 可能导致人身伤害。仅可将附件或装置用于规定目的。

如您需要了解更多关于这些选购附件的信息, 请咨询当地的 Makita (牧田) 维修服务中心。

### 钻尾双修边刀头

► 图片27

单位: mm

D	A	L1	L2	L3	L4
6	6	70	40	12	14
1/4"					

### 圆角刀头

► 图片28

单位: mm

D	A1	A2	L1	L2	L3	R
6	25	9	48	13	5	8
1/4"						
6	20	8	45	10	4	4
1/4"						

### 斜角刀头

► 图片29

单位: mm

D	A	L1	L2	L3	θ
6	23	46	11	6	30°
6	20	50	13	5	45°
6	20	49	14	2	60°

### 倒角敏仔刀头

► 图片30

单位: mm

D	A	L1	L2	R
6	20	43	8	4
6	25	48	13	8

### 滚珠轴承修边刀头

► 图片31

单位: mm

D	A	L1	L2
6	10	50	20
1/4"			

### 滚珠轴承圆角刀头

► 图片32

单位: mm

D	A1	A2	L1	L2	L3	R
6	15	8	37	7	3.5	3
6	21	8	40	10	3.5	6
1/4"	21	8	40	10	3.5	6

### 滚珠轴承斜角刀头

► 图片33

单位: mm

D	A1	A2	L1	L2	θ
6	26	8	42	12	45°
1/4"					
6	20	8	41	11	60°
1/4"					

### 滚珠轴承敏仔刀头

► 图片34

单位: mm

D	A1	A2	A3	L1	L2	L3	R
6	20	12	8	40	10	5.5	4
6	26	12	8	42	12	4.5	7

### 滚珠轴承倒角敏仔刀头

► 图片35

单位: mm

D	A1	A2	A3	A4	L1	L2	L3	R
6	20	18	12	8	40	10	5.5	3
6	26	22	12	8	42	12	5	5

### 滚珠轴承户西线刀头

► 图片36

单位: mm

D	A1	A2	L1	L2	L3	R1	R2
6	20	8	40	10	4.5	2.5	4.5
6	26	8	42	12	4.5	3	6

## SPESIFIKASI

Model:	M3700
Kapasitas cekam kolet	6,35 mm (1/4") atau 6,0 mm
Kecepatan tanpa beban	35.000 min <sup>-1</sup>
Panjang keseluruhan	199 mm
Berat bersih	1,4 kg
Kelas keamanan	□/II

- Karena kesinambungan program penelitian dan pengembangan kami, spesifikasi yang disebutkan di sini dapat berubah tanpa pemberitahuan.
- Spesifikasi dapat berbeda dari satu negara ke negara lainnya.
- Berat menurut Prosedur EPTA 01/2003

## Simbol

Berikut ini adalah simbol-simbol yang digunakan pada peralatan ini. Pastikan Anda mengerti makna masing-masing simbol sebelum menggunakan alat.



Baca petunjuk penggunaan.



ISOLASI GANDA



Hanya untuk negara-negara Uni Eropa  
Jangan membuang peralatan listrik atau baterai bersama-sama dengan bahan limbah rumah tangga! Dengan memerhatikan Petunjuk Eropa, tentang Limbah Peralatan Listrik dan Elektronik serta pelaksanaannya sesuai dengan ketentuan hukum nasional, peralatan listrik yang telah habis umur pakainya harus dikumpulkan secara terpisah dan dikembalikan ke fasilitas daur ulang yang kompatibel secara lingkungan.

## Penggunaan

Mesin ini digunakan untuk pekerjaan pemotongan benam dan memprofil kayu, plastik serta bahan-bahan sejenisnya.

## Pasokan daya

Mesin harus terhubung dengan pasokan daya listrik yang bervoltase sama dengan yang tertera pada pelat nama, dan hanya dapat dijalankan dengan listrik AC fase tunggal. Mesin diisolasi ganda dan oleh sebab itu dapat dihubungkan dengan soket tanpa kabel.

## Peringatan keselamatan umum mesin listrik

**⚠ PERINGATAN:** Bacalah semua peringatan keselamatan dan semua petunjuk. Kelalaian mematuhi peringatan dan petunjuk dapat menyebabkan sengatan listrik, kebakaran dan/atau cedera serius.

## Simpanlah semua peringatan dan petunjuk untuk acuan di masa depan.

Istilah “mesin listrik” dalam semua peringatan mengacu pada mesin listrik yang dijalankan dengan sumber listrik jala-jala (berkabel) atau baterai (tanpa kabel).

### Keselamatan tempat kerja

1. **Jaga tempat kerja selalu bersih dan berpenerangan cukup.** Tempat kerja yang berantakan dan gelap mengundang kecelakaan.
2. **Jangan gunakan mesin listrik dalam lingkungan yang mudah meledak, misalnya jika ada cairan, gas, atau debu yang mudah menyala.** Mesin listrik menimbulkan bunga api yang dapat menyala debu atau uap tersebut.
3. **Jauhkan anak-anak dan orang lain saat menggunakan mesin listrik.** Bila perhatian terpecah, anda dapat kehilangan kendali.

### Keamanan Kelistrikan

1. **Steker mesin listrik harus cocok dengan stopkontak. Jangan sekali-kali mengubah steker dengan cara apa pun. Jangan menggunakan steker adaptor dengan mesin listrik terbumi (dibumikan).** Steker yang tidak diubah dan stopkontak yang cocok akan mengurangi risiko sengatan listrik.
2. **Hindari sentuhan tubuh dengan permukaan terbumi atau yang dibumikan seperti pipa, radiator, kompor, dan kulkas.** Risiko sengatan listrik bertambah jika tubuh Anda terbumikan atau dibumikan.
3. **Jangan membiarkan mesin listrik kehujanan atau kebasahan.** Air yang masuk ke dalam mesin listrik akan meningkatkan risiko sengatan listrik.
4. **Jangan menyalahgunakan kabel. Jangan sekali-kali menggunakan kabel untuk membawa, menarik, atau mencabut mesin listrik dari stopkontak. Jauhkan kabel dari panas, minyak, tepian tajam, atau bagian yang bergerak.** Kabel yang rusak atau kusut memperbesar risiko sengatan listrik.

5. **Bila menggunakan mesin listrik di luar ruangan, gunakan kabel ekstensi yang sesuai untuk penggunaan di luar ruangan.** Penggunaan kabel yang sesuai untuk penggunaan luar ruangan mengurangi risiko sengatan listrik.
6. **Jika mengoperasikan mesin listrik di lokasi lembap tidak terhindarkan, gunakan pasokan daya yang dilindungi peranti imbasan arus (residual current device - RCD).** Penggunaan RCD mengurangi risiko sengatan listrik.
7. **Penggunaan pasokan daya melalui RCD dengan kapasitas arus sisa 30 mA atau kurang selalu dianjurkan.**
2. **Jangan gunakan mesin listrik jika sakelar tidak dapat menyalakan dan mematikkannya.** Mesin listrik yang tidak dapat dikendalikan dengan sakelarnya adalah berbahaya dan harus diperbaiki.
3. **Cabut steker dari sumber listrik dan/atau paket baterai dari mesin listrik sebelum melakukan penyetelan, penggantian aksesoris, atau menyimpan mesin listrik.** Langkah keselamatan preventif tersebut mengurangi risiko hidupnya mesin secara tak sengaja.
4. **Simpan mesin listrik jauh dari jangkauan anak-anak dan jangan biarkan orang yang tidak paham mengenai mesin listrik tersebut atau petunjuk ini menggunakan mesin listrik.** Mesin listrik sangat berbahaya di tangan pengguna yang tak terlatih.

#### Keselamatan Diri

1. **Jaga kewaspadaan, perhatikan pekerjaan Anda dan gunakan akal sehat bila menggunakan mesin listrik. Jangan menggunakan mesin listrik saat Anda lelah atau di bawah pengaruh obat bius, alkohol, atau obat.** Sekejap saja lalai saat menggunakan mesin listrik dapat menyebabkan cedera badan serius.
2. **Gunakan alat pelindung diri. Selalu gunakan pelindung mata.** Peralatan pelindung seperti masker debu, sepatu pengaman anti-selip, helm pengaman, atau pelindung telinga yang digunakan untuk kondisi yang sesuai akan mengurangi risiko cedera badan.
3. **Cegah penyalaan yang tidak disengaja. Pastikan bahwa sakelar berada dalam posisi mati (off) sebelum menghubungkan mesin ke sumber daya dan/atau paket baterai, atau mengangkat atau membawanya.** Membawa mesin listrik dengan jari Anda pada sakelarnya atau mengalirkan listrik pada mesin listrik yang sakelarnya hidup (on) akan mengundang kecelakaan.
4. **Lepaskan kunci-kunci penyetel sebelum menghidupkan mesin listrik.** Kunci-kunci yang masih terpasang pada bagian mesin listrik yang berputar dapat menyebabkan cedera.
5. **Jangan meraih terlalu jauh. Jagalah pijakan dan keseimbangan sepanjang waktu.** Hal ini memungkinkan kendali yang lebih baik atas mesin listrik dalam situasi yang tidak diharapkan.
6. **Kenakan pakaian dengan baik. Jangan memakai pakaian yang kedodoran atau perhiasan. Jaga jarak antara rambut, pakaian, dan sarung tangan Anda dengan bagian mesin yang bergerak.** Pakaian kedodoran, perhiasan, atau rambut panjang dapat tersangkut pada bagian yang bergerak.
7. **Jika tersedia fasilitas untuk menghisap dan mengumpulkan debu, pastikan fasilitas tersebut terhubung listrik dan digunakan dengan baik.** Penggunaan pembersih debu dapat mengurangi bahaya yang terkait dengan debu.
5. **Rawatlah mesin listrik. Periksa apakah ada bagian bergerak yang tidak lurus atau macet, bagian yang pecah dan kondisi lain yang dapat memengaruhi penggunaan mesin listrik. Jika rusak, perbaiki dahulu mesin listrik sebelum digunakan.** Banyak kecelakaan disebabkan oleh kurangnya pemeliharaan mesin listrik.
6. **Jaga agar mesin pemotong tetap tajam dan bersih.** Mesin pemotong yang terawat baik dengan mata pemotong yang tajam tidak mudah macet dan lebih mudah dikendalikan.
7. **Gunakan mesin listrik, aksesoris, dan mata mesin, dll. sesuai dengan petunjuk ini, dengan memperhitungkan kondisi kerja dan jenis pekerjaan yang dilakukan.** Penggunaan mesin listrik untuk penggunaan yang lain dari peruntukan dapat menimbulkan situasi berbahaya.

#### Servis

1. **Berikan mesin listrik untuk diperbaiki hanya kepada oleh teknisi yang berkualifikasi dengan menggunakan hanya suku cadang pengganti yang serupa.** Hal ini akan menjamin terjaganya keamanan mesin listrik.
2. **Patuhi petunjuk pelumasan dan penggantian aksesoris.**
3. **Jagalah agar gagang kering, bersih, dan bebas dari minyak dan gemuk.**

#### Peringatan keselamatan mesin profil

1. **Pegang mesin listrik pada permukaan genggam yang terisolasi, karena pemotong mungkin bersentuhan dengan kawat tersembunyi.** Memotong kawat "hidup" bisa menyebabkan bagian mesin logam pada mesin listrik teraliri arus listrik dan menyengat pengguna.
2. **Gunakan klem atau cara praktis lainnya untuk mengikat dan menahan benda kerja pada posisi yang stabil.** Menahan benda kerja dengan tangan Anda atau berada pada posisi berlawanan dengan badan membuat benda kerja tidak stabil dan dapat menyebabkan kehilangan kendali.
3. **Gunakan pelindung telinga selama penggunaan terus-menerus.**
4. **Tangani mata mesin profil dengan sangat hati-hati.**

#### Penggunaan dan pemeliharaan mesin listrik

1. **Jangan memaksa mesin listrik. Gunakan mesin listrik yang tepat untuk keperluan Anda.** Mesin listrik yang tepat akan menuntaskan pekerjaan dengan lebih baik dan aman pada kecepatan sesuai rancangannya.

5. Periksa mata mesin profil secara saksama akan adanya keretakan atau kerusakan sebelum penggunaan. Segera ganti mata mesin yang retak atau rusak.
6. Hindari memotong paku. Periksa dan buang semua paku dari benda kerja sebelum pengoperasian.
7. Pegang mesin kuat-kuat.
8. Jauhkan tangan dari bagian yang berputar.
9. Pastikan bahwa mata mesin profil tidak menyentuh benda kerja sebelum sakelar dinyalakan.
10. Sebelum menggunakan mesin pada benda kerja yang sebenarnya, jalankan mesin sebentar. Perhatikan akan adanya getaran atau goyangan yang dapat menunjukkan mata mesin terpasang secara tidak benar.
11. Hati-hati terhadap arah putaran mata mesin profil dan arah pemakanan.
12. Jangan tinggalkan mesin dalam keadaan hidup. Jalankan mesin hanya ketika digenggam tangan.
13. Selalu matikan dan tunggu sampai mata mesin profil benar-benar berhenti sebelum mengangkat mesin dari benda kerja.
14. Jangan menyentuh mata mesin profil atau benda kerja segera setelah pengoperasian; suhunya mungkin masih sangat panas dan dapat membakar kulit Anda.
15. Jangan melumuri dudukan mesin dengan tiner, bensin, oli atau bahan sejenisnya. Hal tersebut bisa menyebabkan keretakan pada dudukan mesin.
16. Gunakan mata mesin profil dengan diameter kepala tirus yang tepat dan sesuai dengan kecepatan mesin.
17. Bahan tertentu mengandung zat kimia yang mungkin beracun. Hindari menghirup debu dan persentuhan dengan kulit. Ikuti data keselamatan bahan dari pemasok.
18. Selalu gunakan masker debu/alat pernafasan yang tepat sesuai bahan dan pekerjaan yang sedang Anda kerjakan.

## SIMPAN PETUNJUK INI.

**⚠️PERINGATAN:** JANGAN biarkan kenyamanan atau terbiasanya Anda dengan produk (karena penggunaan berulang) mengurangi kepatuhan yang ketat terhadap aturan keselamatan untuk produk yang terkait. **PENYALAHGUNAAN** atau kelalaian mematuhi kaidah keselamatan yang tertera dalam petunjuk ini dapat menyebabkan cedera badan serius.

## DESKRIPSI FUNGSI

**⚠️PERHATIAN:** Selalu pastikan bahwa mesin dalam keadaan mati dan steker tercabut sebelum menyetel atau memeriksa kerja mesin.

## Menyetel tonjolan mata mesin profil

Untuk menyetel tonjolan mata mesin, kendurkan sekrup penjepit dan gerakkan dudukan mesin naik atau ke turun sesuai keinginan. Setelah penyetelan, kencangkan sekrup penjepit dengan kuat untuk mengikat dudukan mesin.

- **Gbr.1:** 1. Dudukan 2. Skala 3. Tonjolan mata mesin  
4. Sekrup penjepit

## Kerja sakelar

**⚠️PERHATIAN:** Sebelum memasukkan steker, selalu pastikan bahwa mesin dalam keadaan mati.

Untuk menjalankan mesin, pindahkan tuas saklar ke posisi I. Untuk menghentikan mesin, pindahkan tuas saklar ke posisi O.

- **Gbr.2:** 1. Tuas sakelar

## PERAKITAN

**⚠️PERHATIAN:** Pastikan bahwa mesin dalam keadaan mati dan steker tercabut sebelum melakukan pekerjaan apa pun pada mesin.

## Memasang atau melepas mata mesin profil

**⚠️PERHATIAN:** Jangan mengencangkan mur kolet tanpa memasukkan mata mesin profil, atau konus kolet bisa rusak.

**⚠️PERHATIAN:** Gunakan hanya kunci pas yang tersedia bersama mesin.

Masukkan mata mesin profil seluruhnya ke dalam lubang konus kolet dan kencangkan mur kolet dengan kuat menggunakan dua kunci pas. Untuk melepas mata mesin, ikuti urutan terbalik dari prosedur pemasangan.

- **Gbr.3:** 1. Kendurkan 2. Kencangkan 3. Penahan

## PENGUNAAN

**⚠️PERHATIAN:** Selalu Pegang mesin kuat-kuat dengan satu tangan pada rumahannya. Jangan menyentuh bagian logamnya.

**⚠️PERHATIAN:** Karena pemotongan yang berlebihan bisa menyebabkan kelebihan beban pada motor atau kesulitan dalam mengendalikan mesin, maka jalan masuk tidak boleh lebih dari 3 mm ketika memotong alur. Jika Anda ingin memotong alur berkedalaman lebih dari 3 mm, buat beberapa jalan masuk dengan setelan mata mesin yang berurutan semakin dalam.

1. Setel dudukan mesin pada benda kerja yang akan dipotong dengan kondisi mata mesin profil tidak menyentuh apapun.

2. Nyalakan mesin dan tunggu sampai mata mesin profil mencapai kecepatan penuh.

3. Gerakkan mesin arah maju di atas permukaan benda kerja, jaga agar kedudukan mesin tetap terbenam dan gerakkan dengan lembut sampai pemotongan selesai.

► **Gbr.4**

Ketika melakukan pemotongan tepi, permukaan benda kerja harus berada di sisi kiri mata mesin profil pada arah pemakanan.

► **Gbr.5:** 1. Benda kerja 2. Arah putaran mata mesin 3. Pandangan dari atas mesin 4. Arah pemakanan

Ketika menggunakan pemandu kelurusan atau pemandu alat potong, pastikan untuk mempertahankannya di sisi kanan pada arah pemotongan. Hal ini bisa membantu untuk menjaganya agar tepat berada pada sisi benda kerja.

► **Gbr.6:** 1. Arah pemakanan 2. Arah putaran mata mesin 3. Benda kerja 4. Pemandu kelurusan

**CATATAN:** Menggerakkan mesin terlalu cepat bisa menyebabkan kurang baiknya kualitas, serta bisa merusak mesin profil atau motor. Menggerakkan mesin terlalu lambat bisa membakar dan merusak hasil pemotongan. Laju pemakanan yang tepat tergantung pada ukuran mata mesin, jenis benda kerja dan kedalaman pemotongan. Sebelum memulai pemotongan pada benda kerja yang sebenarnya, dianjurkan untuk mencoba melakukan pemotongan pada potongan papan bekas. Hal ini akan menunjukkan secara tepat bagaimana bentuk hasil pemotongan nantinya serta memungkinkan Anda untuk memeriksa ukuran.

## Pemandu mal

Pemandu mal menyediakan alur yang dilalui mata mesin profil, yang memungkinkan penggunaan mesin profil dengan pola-pola mal.

► **Gbr.7**

1. Kendurkan sekrup penjepit dan kemudian lepas pemegang pemandu dan pengarah serpihan kayu.

► **Gbr.8:** 1. Sekrup penjepit 2. Pemegang pemandu 3. Pengarah serpihan kayu

2. Kendurkan sekrup dan lepas pelindung dudukan.

► **Gbr.9:** 1. Pelindung dudukan 2. Sekrup

3. Posisikan pemandu mal pada dudukan dan ganti pelindung dudukan. Kemudian kencangkan pelindung dudukan dengan mengencangkan sekrup.

4. Pasang mal pada benda kerja. Posisikan mesin pada mal dan gerakkan mesin dengan pemandu mal yang bergeser sepanjang sisi mal.

► **Gbr.10:** 1. Mata mesin profil 2. Dudukan 3. Mal 4. Benda kerja 5. Pemandu mal

**CATATAN:** Benda kerja akan terpotong dengan ukuran yang sedikit berbeda dengan mal. Buat jarak (X) antara mata mesin profil dan sisi luar pemandu mal. Jarak (X) bisa dihitung dengan menggunakan persamaan berikut ini:

**Jarak (X) = (diameter luar pemandu mal - diameter mata mesin profil) / 2**

## Pemandu kelurusan

### Pilihan Aksesori

Pemandu kelurusan bisa digunakan secara efektif untuk hasil pemotongan yang lurus ketika memotong miring atau membuat alur.

► **Gbr.11**

1. Pasang pelat pemandu pada pemandu kelurusan dengan baut dan mur kupu-kupu.

► **Gbr.12:** 1. Baut 2. Pelat pemandu 3. Pemandu kelurusan 4. Mur kupu-kupu

2. Lepaskan pemegang pemandu dan pengarah serpihan kayu kemudian pasang pemandu lurus dengan sekrup penjepit.

► **Gbr.13:** 1. Sekrup penjepit 2. Pemandu kelurusan 3. Mur kupu-kupu 4. Dudukan

3. Kendurkan mur kupu-kupu pada pemandu kelurusan dan setel jarak antara mata mesin profil dan pemandu kelurusan. Pada jarak yang diinginkan, kencangkan mur kupu-kupu dengan kuat.

4. Ketika memotong, gerakkan mesin dengan pemandu kelurusan berada tepat pada sisi benda kerja.

Jika jarak (A) antara sisi benda kerja dan posisi pemotongan terlalu lebar bagi pemandu kelurusan, atau jika sisi benda kerja tidak lurus, maka pemandu kelurusan tidak bisa digunakan. Untuk kasus ini, jepit papan yang lurus pada benda kerja dan gunakan sebagai pemandu terhadap dudukan alat potong. Lakukan pemakanan dengan mesin sesuai arah panah.

► **Gbr.14**

## Kerja melingkar

Kerja melingkar bisa dilakukan jika Anda merakit pemandu kelurusan dan pelat pemandu. Jari-jari minimum dan maksimum lingkaran yang akan dipotong (jarak antara pusat lingkaran dan pusat mata mesin) adalah sebagai berikut:

- Minimum : 70 mm
- Maksimum : 221 mm

**Untuk memotong lingkaran yang jari-jarinya antara 70 mm dan 121 mm**

► **Gbr.15:** 1. Mur kupu-kupu 2. Pemandu kelurusan 3. Pelat pemandu 4. Lubang tengah 5. Baut

**Untuk memotong lingkaran yang jari-jarinya antara 121 mm dan 221 mm**

► **Gbr.16:** 1. Mur kupu-kupu 2. Pemandu kelurusan 3. Pelat pemandu 4. Lubang tengah 5. Baut

**CATATAN:** Lingkaran yang jari-jarinya antara 172 mm dan 186 mm tidak dapat dipotong dengan menggunakan pemandu ini.

1. Sejajarkan lubang tengah pada pemandu kelurusan dengan pusat lingkaran yang akan dipotong.

2. Pasang paku berdiameter kurang dari 6 mm pada lubang tengah untuk mengencangkan pemandu kelurusan.

3. Putar mesin mengelilingi paku sesuai dengan arah jarum jam.

► **Gbr.17:** 1. Paku 2. Lubang tengah 3. Pemandu kelurusan

## Pemandu alat potong

Pemangkasan, hasil pemotongan yang melengkung pada kayu finer untuk mebel dan sejenisnya bisa dikerjakan dengan mudah menggunakan pemandu alat potong. Rol pemandu bergerak di sepanjang lengkungan dan menjamin didapatkannya hasil pemotongan yang halus.

### ► Gbr.18

1. Pasang pengarah serpihan kayu pada alur dudukan.
2. Pasang pemandu alat potong dan pemegang pemandu pada dudukan mesin dengan sekrup penjepit (A).

3. Kendurkan sekrup penjepit (B) dan setel jarak antara mata mesin profil dengan pemandu alat potong dengan memutar sekrup penyetel (1 mm tiap putaran). Pada jarak yang diinginkan, kencangkan sekrup penjepit (B) untuk mengikat pemandu alat potong pada tempatnya.

- Gbr.19: 1. Sekrup penyetel 2. Pemegang pemandu 3. Pemandu alat potong 4. Pengarah serpihan kayu

4. Ketika memotong, gerakkan mesin dengan rol pemandu bergerak di sepanjang sisi benda kerja.

- Gbr.20: 1. Benda kerja 2. Mata mesin profil 3. Rol pemandu

## PERAWATAN

**PERHATIAN:** Selalu pastikan bahwa mesin dimatikan dan steker dicabut sebelum melakukan pemeriksaan atau perawatan.

**PEMBERITAHUAN:** Jangan sekali-kali menggunakan bensin, tiner, alkohol, atau bahan sejenisnya. Penggunaan bahan demikian dapat menyebabkan perubahan warna, perubahan bentuk atau timbulnya retakan.

## Mengganti sikat karbon

- Gbr.21: 1. Tanda batas

Periksa sikat karbon secara teratur.

Lepas sikat karbon ketika aus sampai tanda batas.

Jaga agar sikat karbon tetap bersih dan tidak bergeser dari tempatnya. Kedua sikat karbon harus diganti pada waktu yang sama. Hanya gunakan sikat karbon yang sama.

1. Gunakan obeng untuk melepas tutup tempat sikat.
2. Tarik keluar sikat karbon yang aus, masukkan yang baru dan pasang tutup tempat sikat.

- Gbr.22: 1. Tutup tempat sikat

Untuk menjaga KEAMANAN dan KEANDALAN mesin, perbaikan, perawatan atau penyetelan lainnya harus dilakukan oleh Pusat Layanan Resmi atau Pabrik Makita; selalu gunakan suku cadang pengganti buatan Makita.

## AKSESORI PILIHAN

**PERHATIAN:** Dianjurkan untuk menggunakan aksesori atau perangkat tambahan ini dengan mesin Makita Anda yang ditentukan dalam petunjuk ini. Penggunaan aksesori atau perangkat tambahan lain bisa menyebabkan risiko cedera pada manusia. Hanya gunakan aksesori atau perangkat tambahan sesuai dengan peruntukannya.

Jika Anda memerlukan bantuan lebih rinci berkenaan dengan aksesori ini, tanyakan pada Pusat Layanan Makita terdekat.

**CATATAN:** Beberapa item dalam daftar tersebut mungkin sudah termasuk dalam paket mesin sebagai aksesori standar. Hal tersebut dapat berbeda dari satu negara ke negara lainnya.

## Mata mesin profil

Mata mesin lurus

- Gbr.23

Unit : mm

D	A	L1	L2
6	20	50	15
1/4"			
6	8	50	18
1/4"			
6	6	50	18
1/4"			

Mata mesin alur U

- Gbr.24

Unit : mm

D	A	L1	L2	R
6	6	60	28	3
1/4"				

Mata mesin alur V

- Gbr.25

Unit : mm

D	A	L1	L2	θ
1/4"	20	50	15	90°

Mata mesin pemotongan benam berujung bor

- Gbr.26

Unit : mm

D	A	L1	L2	L3
6	6	60	18	28
1/4"				

**Mata mesin pemotongan benam ganda berujung bor**

► Gbr.27

Unit : mm

D	A	L1	L2	L3	L4
6	6	70	40	12	14
1/4"					

**Mata mesin pembulat sudut**

► Gbr.28

Unit : mm

D	A1	A2	L1	L2	L3	R
6	25	9	48	13	5	8
1/4"						
6	20	8	45	10	4	4
1/4"						

**Mata mesin pemotong miring**

► Gbr.29

Unit : mm

D	A	L1	L2	L3	θ
6	23	46	11	6	30°
6	20	50	13	5	45°
6	20	49	14	2	60°

**Mata mesin profil hias**

► Gbr.30

Unit : mm

D	A	L1	L2	R
6	20	43	8	4
6	25	48	13	8

**Mata mesin pemotongan benam berbantalan peluru**

► Gbr.31

Unit : mm

D	A	L1	L2
6	10	50	20
1/4"			

**Mata mesin pembulat sudut berbantalan peluru**

► Gbr.32

Unit : mm

D	A1	A2	L1	L2	L3	R
6	15	8	37	7	3,5	3
6	21	8	40	10	3,5	6
1/4"	21	8	40	10	3,5	6

**Mata mesin pemotong miring berbantalan peluru**

► Gbr.33

Unit : mm

D	A1	A2	L1	L2	θ
6	26	8	42	12	45°
1/4"					
6	20	8	41	11	60°

**Mata mesin profil berbantalan peluru**

► Gbr.34

Unit : mm

D	A1	A2	A3	L1	L2	L3	R
6	20	12	8	40	10	5,5	4
6	26	12	8	42	12	4,5	7

**Mata mesin profil hias berbantalan peluru**

► Gbr.35

Unit : mm

D	A1	A2	A3	A4	L1	L2	L3	R
6	20	18	12	8	40	10	5,5	3
6	26	22	12	8	42	12	5	5

**Mata mesin profil romawi berbantalan peluru**

► Gbr.36

Unit : mm

D	A1	A2	L1	L2	L3	R1	R2
6	20	8	40	10	4,5	2,5	4,5
6	26	8	42	12	4,5	3	6



## SPEKIFIKASI

Model:	M3700
Kapasiti cuk sesimpai	6.35 mm (1/4") atau 6.0 mm
Kelajuan tanpa beban	35,000 min <sup>-1</sup>
Panjang keseluruhan	199 mm
Berat bersih	1.4 kg
Kelas keselamatan	□/II

- Disebabkan program penyelidikan dan pembangunan kami yang berterusan, spesifikasi yang terkandung di dalam ini adalah tertakluk kepada perubahan tanpa notis.
- Spesifikasi mungkin berbeza mengikut negara.
- Berat mengikut Prosedur EPTA 01/2003

### Simbol

Berikut menunjukkan simbol-simbol yang digunakan untuk alat ini. Pastikan anda memahami maksudnya sebelum menggunakan.



Baca manual arahan.



PENEBATAN BERGANDA



Hanya untuk negara-negara Kesatuan Eropah  
 Jangan buang peralatan elektrik bersama bahan sisa rumah! Dalam mematuhi Arahan Eropah mengenai Sisa Peralatan Elektrik dan Elektronik serta pelaksanaannya mengikut undang-undang negara, peralatan elektrik yang telah mencapai akhir hayatnya mesti dikumpul secara berasingan dan dikembalikan ke kemudahan kitar semula yang bersesuaian dengan alam sekitar.

### Tujuan penggunaan

Alat ini bertujuan untuk pemangkasan sedatar dan penyusukan kayu, plastik atau bahan yang serupa.

### Bekalan kuasa

Alat ini perlu disambungkan hanya kepada bekalan kuasa dengan voltan yang sama seperti yang ditunjukkan pada papan nama, dan hanya boleh dikendalikan pada bekalan AC fasa tunggal. Ia mempunyai penebatan berganda dan oleh itu, ia juga boleh digunakan pada soket tanpa wayar bumi.

### Amaran keselamatan umum alat kuasa

**⚠️ AMARAN:** Baca semua amaran keselamatan dan semua arahan. Kegagalan mematuhi amaran dan arahan boleh menyebabkan kejutan elektrik, kebakaran dan/atau kecederaan serius.

### Simpan semua amaran dan arahan untuk rujukan masa depan.

Istilah "alat kuasa" dalam amaran merujuk kepada alat kuasa yang menggunakan tenaga elektrik (kabel) atau alat kuasa yang menggunakan bateri (tanpa kord).

#### Keselamatan kawasan kerja

1. **Pastikan kawasan kerja bersih dan diterangi dengan baik.** Kawasan berselerak atau gelap mengundang kemalangan.
2. **Jangan kendalikan alat kuasa dalam suasana letupan, seperti di hadapan cecair, gas atau habuk yang mudah terbakar.** Alat kuasa menghasilkan percikan api yang boleh menyalakan debu atau asap.
3. **Jauhkan kanak-kanak dan orang ramai semasa mengendalikan alat kuasa.** Gangguan boleh menyebabkan anda hilang kawalan.

#### Keselamatan Elektrik

1. **Palam alat kuasa mesti sepadan dengan soket.** Jangan ubah suai palam dalam apa cara sekalipun. Jangan gunakan sebarang penyesuai dengan alat kuasa yang dibumikan. Palam yang tidak diubah suai dan soket sepadan akan mengurangkan risiko kejutan elektrik.
2. **Elakkan sentuhan badan dengan permukaan yang dibumikan, seperti paip, radiator, julat dan peti sejuk.** Terdapat peningkatan risiko kejutan elektrik jika badan anda dibumikan.
3. **Jangan dedahkan alat kuasa kepada hujan atau keadaan basah.** Air yang memasuki alat kuasa akan meningkatkan risiko kejutan elektrik.
4. **Jangan salahgunakan kord.** Jangan gunakan kord untuk membawa, menarik atau mencabut alat kuasa. Jauhkan kord dari haba, minyak, bucu tajam atau bahagian yang bergerak. Kord yang rosak atau tersimpul meningkatkan risiko kejutan elektrik.
5. **Semasa mengendalikan alat kuasa di luar, gunakan kord sambungan yang bersesuaian untuk kegunaan luar.** Penggunaan kord yang sesuai untuk kegunaan luar mengurangkan risiko kejutan elektrik.

6. Sekiranya pengendalian alat kuasa di lokasi lembap tidak dapat dielakkan, gunakan bekalan peranti arus sisa (Residual Current Device “RCD”) yang dilindungi. Penggunaan RCD mengurangkan risiko kejutan elektrik.
7. Penggunaan bekalan kuasa melalui RCD dengan arus sisa yang bernilai 30 mA atau kurang sentiasa disyorkan.

#### Keselamatan Diri

1. Sentiasa berwaspada, perhatikan apa yang anda lakukan dan guna akal fikiran semasa mengendalikan alat kuasa. Jangan gunakan alat kuasa semasa anda letih atau di bawah pengaruh dadah, alkohol atau ubat. Tidak memberi tumpuan walaupun seketika semasa mengendalikan alat kuasa boleh mengakibatkan kecederaan diri yang serius.
2. Gunakan peralatan pelindung diri. Sentiasa pakai pelindung mata. Peralatan pelindung seperti topeng debu, kasut keselamatan tidak tergelincir, topi keselamatan atau pelindung pendengaran yang digunakan untuk keadaan yang sesuai akan mengurangkan kecederaan diri.
3. Elakkan permulaan yang tidak disengajakan. Pastikan suis ditutup sebelum menyambung kepada sumber kuasa dan/atau pek bateri, semasa mengangkat atau membawa alat. Membawa alat kuasa dengan jari anda pada suis atau alat kuasa dengan suis pada kedudukan hidup mengundang kemalangan.
4. Alihkan sebarang kunci atau sepana penyelesaian sebelum menghidupkan alat kuasa. Sepana atau kunci yang ditinggalkan pada bahagian berputar alat kuasa boleh mengakibatkan kecederaan diri.
5. Jangan terlalu mencapai. Pastikan kedudukan memijak dan keseimbangan yang betul pada setiap masa. Ini membolehkan kawalan alat kuasa yang lebih baik dalam situasi yang tidak dijangka.
6. Berpakaian dengan betul. Jangan pakai pakaian yang longgar atau barang kemas. Jauhkan rambut, pakaian, dan sarung tangan anda dari bahagian yang bergerak. Pakaian longgar, barang kemas atau rambut yang panjang boleh terperangkap dalam bahagian yang bergerak.
7. Jika peranti disediakan untuk sambungan kemudahan pengestrakan dan pengumpulan habuk, pastikan ia disambung dan digunakan dengan betul. Penggunaan pengumpulan habuk boleh mengurangkan bahaya berkaitan habuk.

#### Penggunaan dan penjagaan alat kuasa

1. Jangan gunakan alat kuasa dengan kasar. Gunakan alat kuasa yang betul untuk penggunaan anda. Alat kuasa yang betul akan melakukan tugas dengan lebih baik dan lebih selamat pada kadar mana ia direka cipta.
2. Jangan gunakan alat kuasa jika suis tidak berfungsi untuk menghidupkan dan mematikannya. Alat kuasa yang tidak dapat dikawal dengan suis adalah berbahaya dan mesti dibaiki.

3. Cabut palam dari sumber kuasa dan/atau pek bateri dari alat kuasa sebelum membuat sebarang pelarasan, menukar aksesori, atau menyimpan alat kuasa. Langkah-langkah keselamatan pencegahan sedemikian mengurangkan risiko memulakan alat kuasa secara tidak sengaja.
4. Simpan alat kuasa yang tidak digunakan jauh dari jangkauan kanak-kanak dan jangan biarkan orang yang tidak biasa dengan alat kuasa atau arahan ini mengendalikan alat kuasa. Alat kuasa adalah berbahaya di tangan pengguna yang tidak terlatih.
5. Menyelenggara alat kuasa. Periksa salah jajaran atau ikatan pada bahagian yang bergerak, bahagian yang rosak dan apa-apa keadaan lain yang boleh menjejaskan operasi alat kuasa. Sekiranya rosak, baiki alat kuasa sebelum digunakan. Kebanyakan kemalangan adalah disebabkan oleh alat kuasa yang tidak dijaga dengan baik.
6. Pastikan alat pemotong tajam dan bersih. Alat pemotong yang dijaga dengan betul dengan hujung pemotong yang tajam mempunyai kemungkinan yang rendah untuk terikat dan lebih mudah dikendalikan.
7. Gunakan alat kuasa, aksesori dan alat bit dan sebagainya mengikut arahan ini dengan mengambil kira keadaan kerja dan kerja yang perlu dilakukan. Penggunaan alat kuasa untuk operasi yang berbeza dari yang dimaksudkan boleh menyebabkan keadaan berbahaya.

#### Servis

1. Pastikan alat kuasa anda diservis oleh orang yang berkelayakan dengan hanya menggunakan alat ganti yang sama. Ini akan memastikan keselamatan alat kuasa dapat dikekalkan.
2. Ikut arahan untuk melincir dan menukar aksesori.
3. Pastikan pemegang sentiasa kering, bersih dan bebas dari minyak dan gris.

### Amaran keselamatan pemangkas

1. Pegang alat kuasa dengan permukaan mencengkam terkuat kerana pemotong boleh tersentuh kordnya sendiri. Memotong wayar “hidup” boleh menyebabkan bahagian logam terdedah alat kuasa “hidup” dan memberi kejutan elektrik kepada pengendali.
2. Gunakan pengapit atau cara praktikal lain untuk mengukuhkan dan menyokong bahan kerja pada platform yang stabil. Memegang bahan kerja dengan tangan anda atau menyandar pada badan menyebabkan ia tidak stabil dan boleh menyebabkan hilang kawalan.
3. Pakai pelindung pendengaran semasa tempoh operasi yang panjang.
4. Kendalikan bit pemangkas dengan berhati-hati.
5. Periksa bit pemangkas dengan teliti untuk keretakan atau kerosakan sebelum operasi. Gantikan bit yang retak atau rosak dengan segera.

6. Elakkan memotong paku. Periksa untuk atau keluarkan semua paku daripada bahan kerja sebelum operasi.
7. Pegang alat dengan kukuh.
8. Jauhkan tangan daripada bahagian berpusing.
9. Pastikan bit pemangkas tidak menyentuh bahan kerja sebelum suis dihidupkan.
10. Sebelum menggunakan alat pada bahan kerja sebenar, biarkan ia beroperasi seketika. Perhatikan sebarang getaran atau goyang yang boleh menandakan pemasangan bit yang tidak betul.
11. Berhati-hati dengan arah putaran bit pemangkas dan arah suapan.
12. Jangan tinggalkan alat yang sedang berjalan. Kendalikan alat hanya apabila dipegang.
13. Sentiasa matikan dan tunggu sehingga bit pemangkas berhenti sepenuhnya sebelum mengeluarkan alat daripada bahan kerja.
14. Jangan sentuh bit pemangkas dengan serta-merta selepas operasi; ia mungkin sangat panas dan boleh melecurkan kulit anda.
15. Jangan dengan cuai melumurkan tapak alat dengan pencair, gasolin, minyak atau yang serupa. Ia boleh menyebabkan retak pada tapak alat.
16. Gunakan bit pemangkas dengan diameter batang yang betul yang sesuai dengan kelajuan alat.
17. Sesetengah bahan mengandungi bahan kimia yang mungkin toksik. Sila berhati-hati untuk mencegah penyedutan habuk dan sentuhan kulit. Ikut data keselamatan pembekal bahan.
18. Sentiasa gunakan topeng habuk/alat pernafasan yang betul untuk bahan dan aplikasi yang anda sedang kerjakan.

## SIMPAN ARAHAN INI.

**⚠️ AMARAN:** JANGAN biarkan keselesaan atau kebiasaan dengan produk (daripada penggunaan berulang) menggantikan pematuhan ketat terhadap peraturan keselamatan untuk produk yang ditetapkan. SALAH GUNA atau kegagalan mematuhi peraturan-peraturan keselamatan yang dinyatakan dalam manual arahan ini boleh menyebabkan kecederaan diri yang serius.

## KETERANGAN FUNGSI

**⚠️ PERHATIAN:** Sentiasa pastikan alat dimatikan dan dicabut sebelum menyelaraskan atau menyemak fungsi pada alat.

## Menyesuaikan tonjolan bit pemangkas

Untuk menyesuaikan tonjolan bit, longgarkan skru pengapit dan alihkan tapak alat ke atas atau ke bawah seperti yang diinginkan. Selepas menyesuaikan, ketatkan skru pengapit dengan kemas untuk mengukuhkan tapak alat.

► **Rajah1:** 1. Tapak 2. Skala 3. Tonjolan bit 4. Skru pengapit

## Tindakan suis

**⚠️ PERHATIAN:** Sebelum memasang alat pada palam, sentiasa pastikan alat dimatikan.

Untuk memulakan alat, alihkan tuil suis ke arah posisi I. Untuk menghentikan alat, alihkan tuil suis ke arah posisi O.

► **Rajah2:** 1. Tuil suis

## PEMASANGAN

**⚠️ PERHATIAN:** Sentiasa pastikan alat dimatikan dan palamnya dicabut sebelum menjalankan apa-apa kerja pada alat.

## Memasang atau menanggalkan bit pemangkas

**⚠️ PERHATIAN:** Jangan ketatkan nat sesimpai tanpa memasukkan bit pemangkas atau kon sesimpai akan pecah.

**⚠️ PERHATIAN:** Hanya gunakan perengkuh yang disediakan bersama alat.

Masukkan bit pemangkas sepenuhnya ke dalam kon sesimpai dan ketatkan nat sesimpai dengan kemas dengan dua perengkuh. Untuk menanggalkan bit, ikut prosedur pemasangan secara terbalik.

► **Rajah3:** 1. Longgarkan 2. Ketatkan 3. Pegang

## OPERASI

**⚠️ PERHATIAN:** Sentiasa pegang alat dengan kukuh dengan satu tangan pada perumah. Jangan sentuh bahagian logam.

**⚠️ PERHATIAN:** Memandangkan pemotongan berlebihan boleh menyebabkan beban lebih motor atau kesukaran dalam mengawal alat, kedalaman pemotongan hendaklah tidak lebih daripada 3 mm dalam satu potongan apabila memotong alur. Apabila anda ingin memotong alur lebih daripada 3 mm dalam, lakukan beberapa potongan dengan tetapan bit lebih dalam secara berperingkat-peringkat.

1. Tetapkan tapak alat pada bahan kerja untuk dipotong tanpa bit pemangkas melakukan sebarang sentuhan.
  2. Hidupkan alat dan tunggu sehingga bit pemangkas mencapai kelajuan sepenuhnya.
  3. Gerakkan alat ke hadapan di atas permukaan bahan kerja, mengekalkan tapak alat sedatar dan bergerak dengan lancar sehingga pemotongan selesai.
- **Rajah4**

Apabila melakukan pemotongan bucu, permukaan bahan kerja hendaklah berada pada belah kiri bit pemangkas dalam arah suapan.

- **Rajah5:** 1. Bahan kerja 2. Arah pusingan bit  
3. Pandangan dari bahagian atas alat  
4. Arah suapan

Apabila menggunakan panduan lurus atau panduan pemangkas, pastikan ia sentiasa berada di sebelah kanan dalam arah suapan. Ini akan membantu untuk memastikan ia sedatar dengan bahagian tepi bahan kerja.

- **Rajah6:** 1. Arah suapan 2. Arah pusingan bit  
3. Bahan kerja 4. Panduan lurus

**NOTA:** Menggerakkan alat ke hadapan dengan terlalu laju mungkin menyebabkan kualiti pemotongan yang tidak baik, atau kerosakan kepada bit pemangkas atau motor. Menggerakkan alat ke hadapan dengan terlalu perlahan mungkin membakar dan mencacatkan potongan. Kadar suapan yang betul bergantung pada saiz bit, jenis bahan kerja dan kedalaman potongan. Sebelum memulakan potongan pada bahan kerja sebenar, adalah dinasihatkan untuk membuat potongan sampel di atas kayu reja. Ini akan menunjukkan rupa sebenar potongan dan juga membolehkan anda memeriksa dimensi.

## Panduan templet

Panduan templet menyediakan sarung tempat bit pemangkas lalu melaluinya, membenarkan penggunaan pemangkas dengan corak templet.

► **Rajah7**

1. Longgarkan skru pengapit dan kemudian keluarkan pemegang panduan dan pemegang serpihan.  
► **Rajah8:** 1. Skru pengapit 2. Pemegang panduan 3. Pemegang serpihan
2. Longgarkan skru dan keluarkan pelindung tapak.  
► **Rajah9:** 1. Pelindung tapak 2. Skru
3. Letakkan panduan templet pada tapak dan gantikan pelindung tapak. Kemudian kukuhkan pelindung tapak dengan mengetatkan skru.
4. Kukuhkan templet pada bahan kerja. Letakkan alat pada templet dan gerakkan alat dengan panduan templet meluncur di sepanjang bahagian tepi templet.  
► **Rajah10:** 1. Bit pemangkas 2. Tapak 3. Templet 4. Bahan kerja 5. Panduan templet

**NOTA:** Bahan kerja akan dipotong berbeza sedikit daripada templet. Benarkan jarak (X) antara bit pemangkas dan bahagian luar panduan templet. Jarak (X) boleh dikira dengan menggunakan persamaan berikut:

$$\text{Jarak (X)} = (\text{diameter luar panduan templet} - \text{diameter bit pemangkas}) / 2$$

## Panduan lurus

### Aksesori pilihan

Panduan lurus digunakan secara efektif untuk potongan lurus apabila membuat penyerongan atau pengaluran.

► **Rajah11**

1. Pasangkan plat panduan pada panduan lurus dengan bolt dan nat telinga.  
► **Rajah12:** 1. Bolt 2. Plat panduan 3. Panduan lurus 4. Nat telinga
2. Keluarkan pemegang panduan dan pemegang serpihan kemudian pasang panduan lurus dengan skru pengapit.  
► **Rajah13:** 1. Skru pengapit 2. Panduan lurus 3. Nat telinga 4. Tapak
3. Longgarkan nat telinga pada panduan lurus dan sesuaikan jarak antara bit pemangkas dan panduan lurus. Pada jarak yang diinginkan, ketatkan nat telinga dengan kukuh.
4. Apabila memotong, gerakkan alat dengan panduan lurus sedatar dengan bahagian tepi bahan kerja.

Jika jarak (A) antara bahagian tepi bahan kerja dan kedudukan memotong terlalu jauh untuk panduan lurus, atau jika bahagian tepi bahan kerja tidak lurus, panduan lurus tidak boleh digunakan. Dalam kes ini, apit satu papan lurus dengan kemas pada bahan kerja dan gunakan ia sebagai panduan pada tapak pemangkas. Masukkan alat mengikut arah anak panah.

► **Rajah14**

## Kerja membulat

Kerja membulat boleh disempurnakan jika anda menghimpunkan panduan lurus dan plat panduan. Radius minimum dan maksimum bulatan yang akan dipotong (jarak antara pusat bulatan dan pusat bit pemangkas) adalah seperti berikut:

- Minimum: 70 mm
- Maksimum: 221 mm

**Untuk memotong bulatan beradius antara 70 mm dan 121 mm**

- **Rajah15:** 1. Nat telinga 2. Panduan lurus 3. Plat panduan 4. Lubang tengah 5. Bolt

**Untuk memotong bulatan beradius antara 121 mm dan 221 mm**

- **Rajah16:** 1. Nat telinga 2. Panduan lurus 3. Plat panduan 4. Lubang tengah 5. Bolt

**NOTA:** Bulatan beradius antara 172 mm dan 186 mm tidak boleh dipotong menggunakan panduan ini.

1. Jajarkan lubang tengah dalam panduan lurus dengan pusat bulatan yang akan dipotong.

- Pakukan paku berdiameter kurang daripada 6 mm ke dalam lubang tengah untuk mengukuhkan panduan lurus.
- Putarkan alat di sekeliling paku mengikut arah jam.

► **Rajah17:** 1. Paku 2. Lubang tengah 3. Panduan lurus

## Panduan pemangkas

Memangkas, potongan berlekuk dalam venir untuk perabot dan yang serupa boleh dilakukan dengan mudah dengan panduan pemangkas. Pengelek panduan bergerak pada lekuk dan memastikan potongan yang halus.

► **Rajah18**

- Pasangkan pemotong serpihan pada alur tapak.
- Pasangkan panduan pemangkas dan pemegang panduan pada tapak alat dengan skru pengapit (A).
- Longgarkan skru pengapit (B) dan sesuaikan jarak antara bit pemangkas dan panduan pemangkas dengan memutar skru penyesuai (1 mm bagi setiap putaran). Pada jarak yang diinginkan, ketatkan skru pengapit (B) untuk mengukuhkan panduan pemangkas di tempatnya.

► **Rajah19:** 1. Skru penyesuai 2. Pemegang panduan 3. Panduan pemangkas 4. Pemotong serpihan

- Apabila memotong, gerakkan alat dengan pengelek panduan di atas bahagian tepi bahan kerja.

► **Rajah20:** 1. Bahan kerja 2. Bit pemangkas 3. Pengelek panduan

## PENYELENGGARAAN

**PERHATIAN:** Sentiasa pastikan alat dimatikan dan palamnya dicabut sebelum cuba menjalankan pemeriksaan atau penyelenggaraan.

**NOTIS:** Jangan gunakan petrol, benzin, pencair, alkohol atau bahan yang serupa. Ia boleh menyebabkan perubahan warna, bentuk atau keretakan.

## Menggantikan berus karbon

► **Rajah21:** 1. Tanda had

Periksa berus karbon dengan kerap. Gantikan ia apabila ia telah haus sehingga tanda had. Pastikan berus karbon sentiasa bersih dan bebas untuk dimasukkan ke dalam pemegang. Kedua-dua berus karbon harus diganti pada masa yang sama. Gunakan hanya berus karbon yang serupa.

- Gunakan pemutar skru untuk mengeluarkan penutup pemegang berus.
- Keluarkan berus karbon yang telah haus, masukkan berus baharu dan kukuhkan penutup pemegang berus.

► **Rajah22:** 1. Penutup pemegang berus

Untuk mengekalkan KESELAMATAN dan KEBOLEHPERCAYAAN produk, pembaikan, apa-apa penyelenggaraan atau penyesuaian lain perlu dilakukan oleh Kilang atau Pusat Servis Makita yang Diiktiraf, sentiasa gunakan alat ganti Makita.

## AKSESORI PILIHAN

**PERHATIAN:** Aksesori-aksesori atau lampiran-lampiran ini adalah disyorkan untuk digunakan dengan alat Makita anda yang ditentukan dalam manual ini. Penggunaan mana-mana aksesori-aksesori atau lampiran-lampiran lain mungkin mengakibatkan risiko kecederaan kepada orang. Hanya gunakan aksesori atau lampiran untuk tujuan yang dinyatakan.

Jika anda memerlukan bantuan untuk butiran lanjut berkenaan aksesori-aksesori ini, tanya Pusat Servis Makita tempatan anda.

**NOTA:** Beberapa item dalam senarai mungkin disertakan dalam pakej alat sebagai aksesori standard. Item mungkin berbeza mengikut negara.

## Bit pemangkas

Bit lurus

► **Rajah23**

Unit: mm

D	A	L1	L2
6	20	50	15
1/4"			
6	8	50	18
1/4"			
6	6	50	18
1/4"			

Bit pengaliran U

► **Rajah24**

Unit: mm

D	A	L1	L2	R
6	6	60	28	3
1/4"				

Bit pengaliran V

► **Rajah25**

Unit: mm

D	A	L1	L2	θ
1/4"	20	50	15	90°

**Bit pemangkas sedatar titik gerudi****► Rajah26**

Unit: mm

D	A	L1	L2	L3
6	6	60	18	28
1/4"				

**Bit pemangkas sedatar berganda titik gerudi****► Rajah27**

Unit: mm

D	A	L1	L2	L3	L4
6	6	70	40	12	14
1/4"					

**Bit pembulat bucu****► Rajah28**

Unit: mm

D	A1	A2	L1	L2	L3	R
6	25	9	48	13	5	8
1/4"						
6	20	8	45	10	4	4
1/4"						

**Bit penyerongan****► Rajah29**

Unit: mm

D	A	L1	L2	L3	θ
6	23	46	11	6	30°
6	20	50	13	5	45°
6	20	49	14	2	60°

**Bit kumaian lekuk****► Rajah30**

Unit: mm

D	A	L1	L2	R
6	20	43	8	4
6	25	48	13	8

**Bit pemangkas sedatar galas bebola****► Rajah31**

Unit: mm

D	A	L1	L2
6	10	50	20
1/4"			

**Bit pembulat bucu galas bebola****► Rajah32**

Unit: mm

D	A1	A2	L1	L2	L3	R
6	15	8	37	7	3.5	3
6	21	8	40	10	3.5	6
1/4"	21	8	40	10	3.5	6

**Bit penyerongan galas bebola****► Rajah33**

Unit: mm

D	A1	A2	L1	L2	θ
6	26	8	42	12	45°
1/4"					
6	20	8	41	11	60°

**Bit kumaian galas bebola****► Rajah34**

Unit: mm

D	A1	A2	A3	L1	L2	L3	R
6	20	12	8	40	10	5.5	4
6	26	12	8	42	12	4.5	7

**Bit kumaian lekuk galas bebola****► Rajah35**

Unit: mm

D	A1	A2	A3	A4	L1	L2	L3	R
6	20	18	12	8	40	10	5.5	3
6	26	22	12	8	42	12	5	5

**Bit ogi roman galas bebola****► Rajah36**

Unit: mm

D	A1	A2	L1	L2	L3	R1	R2
6	20	8	40	10	4.5	2.5	4.5
6	26	8	42	12	4.5	3	6

## THÔNG SỐ KỸ THUẬT

Kiểu máy:	M3700
Công suất ngâm kẹp lồng	6,35 mm (1/4") hoặc 6,0 mm
Tốc độ không tải	35.000 min <sup>-1</sup>
Chiều dài tổng thể	199 mm
Khối lượng tịnh	1,4 kg
Cấp an toàn	□/II

- Do chương trình nghiên cứu và phát triển liên tục của chúng tôi nên các thông số kỹ thuật trong đây có thể thay đổi mà không cần thông báo trước.
- Các thông số kỹ thuật có thể thay đổi tùy theo từng quốc gia.
- Khối lượng tùy theo Quy trình EPTA tháng 01/2003

### Ký hiệu

Phần dưới đây cho biết các ký hiệu được dùng cho thiết bị. Đảm bảo rằng bạn hiểu rõ ý nghĩa của các ký hiệu này trước khi sử dụng.



Đọc tài liệu hướng dẫn.



CÁCH ĐIỆN CẤP 2



Chỉ dành cho các quốc gia EU  
Không tháo bỏ thiết bị điện cùng với các chất thải sinh hoạt! Để tuân thủ Chỉ thị của Châu Âu về thiết bị điện và điện tử thải bỏ, và thi hành những chỉ thị này phù hợp với luật lệ quốc gia, thiết bị điện tử không còn sử dụng được nữa phải được thu nhận riêng và đưa trở lại một cơ sở tái chế tương thích với môi trường.

### Mục đích sử dụng

Dụng cụ này nhằm mục đích cắt xén bằng phẳng và theo hình dạng cho gỗ, nhựa và các vật liệu tương tự.

### Nguồn cấp điện

Dụng cụ này chỉ được nối với nguồn cấp điện có điện áp giống như đã chỉ ra trên biển tên và chỉ có thể được vận hành trên nguồn điện AC đơn pha. Chúng được cách điện hai lớp và do đó cũng có thể được sử dụng từ các ổ cắm điện không có dây tiếp đất.

### Cảnh báo an toàn chung dành cho dụng cụ máy

**⚠ CẢNH BÁO:** Đọc tất cả các cảnh báo an toàn và tất cả hướng dẫn. Việc không tuân theo các cảnh báo và hướng dẫn có thể dẫn đến điện giật, hỏa hoạn và/hoặc thương tích nghiêm trọng.

### Lưu giữ tất cả cảnh báo và hướng dẫn để tham khảo sau này.

Thuật ngữ “dụng cụ máy” trong các cảnh báo đề cập đến dụng cụ máy (có dây) được vận hành bằng nguồn điện chính hoặc dụng cụ máy (không dây) được vận hành bằng pin của bạn.

#### An toàn tại nơi làm việc

1. **Giữ nơi làm việc sạch sẽ và có đủ ánh sáng.** Nơi làm việc bừa bộn hoặc tối thường dễ gây ra tai nạn.
2. **Không vận hành dụng cụ máy trong môi trường cháy nổ, ví dụ như môi trường có sự hiện diện của các chất lỏng, khí hoặc bụi dễ cháy.** Các dụng cụ máy tạo tia lửa điện có thể làm bụi hoặc khí bốc cháy.
3. **Giữ trẻ em và người ngoài tránh xa nơi làm việc khi đang vận hành dụng cụ máy.** Sự xao lãng có thể khiến bạn mất khả năng kiểm soát.

#### An toàn về Điện

1. **Phích cắm của dụng cụ máy phải khớp với ổ cắm. Không được sửa đổi phích cắm theo bất kỳ cách nào. Không sử dụng bất kỳ phích cắm chuyển đổi nào với các dụng cụ máy được nối đất (tiếp đất).** Các phích cắm còn nguyên vẹn và ổ cắm phù hợp sẽ giảm nguy cơ điện giật.
2. **Tránh để cơ thể tiếp xúc với các bề mặt nóng hoặc tiếp đất như đường ống, bộ tản nhiệt, bếp ga và tủ lạnh.** Nguy cơ bị điện giật sẽ tăng lên nếu cơ thể bạn được nối đất hoặc tiếp đất.
3. **Không để dụng cụ máy tiếp xúc với mưa hoặc trong điều kiện ẩm ướt.** Nước lọt vào dụng cụ máy sẽ làm tăng nguy cơ điện giật.
4. **Không lạm dụng dây điện. Không được phép sử dụng dây để mang, kéo hoặc tháo phích cắm dụng cụ máy. Giữ dây tránh xa nguồn nhiệt, dầu, các mép sắc hoặc các bộ phận chuyển động.** Dây bị hỏng hoặc bị rơi sẽ làm tăng nguy cơ điện giật.
5. **Khí vận hành dụng cụ máy ngoài trời, hãy sử dụng dây kéo dài phù hợp cho việc sử dụng ngoài trời.** Việc dùng dây phù hợp cho việc sử dụng ngoài trời sẽ giảm nguy cơ điện giật.



6. **Nếu bắt buộc phải vận hành dụng cụ máy ở nơi ẩm ướt, hãy sử dụng nguồn cấp điện được bảo vệ bằng thiết bị ngắt dòng điện rò (RCD).** Việc sử dụng RCD sẽ làm giảm nguy cơ điện giật.
7. **Chúng tôi luôn khuyên bạn sử dụng nguồn cấp điện qua thiết bị RCD có thể ngắt dòng điện rò định mức 30 mA hoặc thấp hơn.**
4. **Cất giữ các dụng cụ máy không sử dụng ngoài tầm với của trẻ em và không cho bất kỳ người nào không có hiểu biết về dụng cụ máy hoặc các hướng dẫn này vận hành dụng cụ máy.** Dụng cụ máy sẽ rất nguy hiểm nếu được sử dụng bởi những người dùng chưa qua đào tạo.
5. **Bảo quản dụng cụ máy.** Kiểm tra tình trạng lịch tự động hoặc bó kẹp của các bộ phận chuyển động, hiện tượng nứt vỡ của các bộ phận và mọi tình trạng khác mà có thể ảnh hưởng đến hoạt động của dụng cụ máy. Nếu có hỏng hóc, hãy sửa chữa dụng cụ máy trước khi sử dụng. Nhiều tai nạn xảy ra là do không bảo quản tốt dụng cụ máy.

#### An toàn Cá nhân

1. **Luôn tỉnh táo, quan sát những việc bạn đang làm và sử dụng những phán đoán theo kinh nghiệm khi vận hành dụng cụ máy. Không sử dụng dụng cụ máy khi bạn đang mệt mỏi hoặc chịu ảnh hưởng của ma túy, rượu hay thuốc.** Chỉ một khoảnh khắc không tập trung khi đang vận hành dụng cụ máy cũng có thể dẫn đến thương tích cá nhân nghiêm trọng.
2. **Sử dụng thiết bị bảo hộ cá nhân. Luôn đeo thiết bị bảo vệ mắt.** Các thiết bị bảo hộ như mặt nạ chống bụi, giày an toàn chống trượt, mũ bảo hộ hay thiết bị bảo vệ thính giác được sử dụng trong các điều kiện thích hợp sẽ giúp giảm thương tích cá nhân.
3. **Tránh vô tình khởi động dụng cụ máy. Đảm bảo công tắc ở vị trí off (tắt) trước khi nối nguồn điện và/hoặc bộ pin, cầm hoặc di chuyển dụng cụ máy.** Việc di chuyển dụng cụ máy khi đang đặt ngón tay ở vị trí công tắc hoặc cấp điện cho dụng cụ máy đang bật thường dễ gây ra tai nạn.
4. **Tháo tất cả các khóa hoặc cờ lê điều chỉnh trước khi bắt dụng cụ máy.** Việc cờ lê hoặc khóa vẫn còn gắn vào bộ phận quay của dụng cụ máy có thể dẫn đến thương tích cá nhân.
5. **Không với quá cao. Luôn giữ thẳng bằng tốt và có chỗ để chân phù hợp.** Điều này cho phép điều khiển dụng cụ máy tốt hơn trong những tình huống bất ngờ.
6. **Ăn mặc phù hợp. Không mặc quần áo rộng hay đeo đồ trang sức. Giữ tóc, quần áo và giày tay tránh xa các bộ phận chuyển động.** Quần áo rộng, đồ trang sức hay tóc dài có thể mắc vào các bộ phận chuyển động.
7. **Nếu cần thiết bị được cung cấp để kết nối các thiết bị thu gom và hút bụi, hãy đảm bảo chúng được kết nối và sử dụng hợp lý.** Việc sử dụng thiết bị thu gom bụi có thể làm giảm những mối nguy hiểm liên quan đến bụi.

#### Sử dụng và bảo quản dụng cụ máy

1. **Không dùng lực đối với dụng cụ máy. Sử dụng đúng dụng cụ máy cho công việc của bạn.** Sử dụng đúng dụng cụ máy sẽ giúp thực hiện công việc tốt hơn và an toàn hơn theo giá trị định mức được thiết kế của dụng cụ máy đó.
2. **Không sử dụng dụng cụ máy nếu công tắc không bật và tắt được dụng cụ máy đó.** Mọi dụng cụ máy không thể điều khiển được bằng công tắc đều rất nguy hiểm và phải được sửa chữa.
3. **Rút phích cắm ra khỏi nguồn điện và/hoặc ngắt kết nối bộ pin khỏi dụng cụ máy trước khi thực hiện bất kỳ công việc điều chỉnh, thay đổi phụ tùng hay cất giữ dụng cụ máy nào.** Những biện pháp an toàn phòng ngừa này sẽ giảm nguy cơ vô tình khởi động dụng cụ máy.

6. **Luôn giữ cho dụng cụ cắt được sắc bén và sạch sẽ.** Những dụng cụ cắt được bảo quản tốt có mép cắt sắc sẽ ít bị kẹt hơn và dễ điều khiển hơn.
7. **Sử dụng dụng cụ máy, phụ tùng và đầu dụng cụ cắt, v.v... theo các hướng dẫn này, có tính đến điều kiện làm việc và công việc được thực hiện.** Việc sử dụng dụng cụ máy cho các công việc khác với công việc dự định có thể gây nguy hiểm.

#### Bảo dưỡng

1. **Đề nhân viên sửa chữa đủ trình độ bảo dưỡng dụng cụ máy của bạn và chỉ sử dụng các bộ phận thay thế đồng nhất.** Việc này sẽ đảm bảo duy trì được độ an toàn của dụng cụ máy.
2. **Tuân theo hướng dẫn dành cho việc bôi trơn và thay phụ tùng.**
3. **Giữ tay cầm khô, sạch, không dính dầu và mỡ.**

### Cảnh báo an toàn về máy đánh cạnh

1. **Giữ dụng cụ máy bằng các bề mặt kẹp cách điện, vì lưỡi cắt có thể tiếp xúc với dây điện của chính nó.** Việc cắt dây dẫn "có điện" có thể khiến các bộ phận kim loại bị hở của dụng cụ máy "có điện" và làm cho người vận hành bị điện giật.
2. **Dùng kẹp hoặc làm theo cách khà thi khác để giữ chặt và đỡ phôi gia công trên bề vững chắc.** Nắm giữ vật phẩm bằng tay hoặc để tựa lên người của bạn sẽ làm máy không ổn định và có thể dẫn tới mất kiểm soát.
3. **Mang thiết bị bảo vệ tai khi làm việc trong thời gian kéo dài.**
4. **Bảo quản các đầu mũi máy đánh cạnh thật cẩn thận.**
5. **Kiểm tra đầu mũi máy đánh cạnh thật cẩn thận xem có nứt hoặc hư hỏng gì không trước khi vận hành. Thay thế đầu mũi bị nứt hoặc hư hỏng ngay lập tức.**
6. **Tránh cắt phải đinh. Kiểm tra và gỡ bỏ tất cả các đinh khỏi phôi gia công trước khi vận hành.**
7. **Cầm chắc dụng cụ.**
8. **Giữ tay tránh xa các bộ phận quay.**
9. **Phải đảm bảo rằng đầu mũi máy đánh cạnh không tiếp xúc với phôi gia công trước khi bắt công tác lên.**



10. Trước khi sử dụng dụng cụ này trên phôi gia công thực, hãy để dụng cụ chạy trong ít phút. Kiểm tra xem có rung động hoặc lắc giạt nào có thể cho biết đầu mũi được lắp không đúng cách.
11. Cần thận đối với hướng xoay của đầu mũi máy đánh cạnh và hướng nạp.
12. Không để mặc dụng cụ hoạt động. Chỉ vận hành dụng cụ khi cầm trên tay.
13. Luôn tắt công tắc và chờ cho đầu mũi máy đánh cạnh ngừng hoàn toàn trước khi đưa dụng cụ ra khỏi phôi gia công.
14. Không chạm vào đầu mũi máy đánh cạnh ngay sau khi vận hành; chúng có thể rất nóng và có thể gây bỏng da.
15. Không được bắt cần làm vậy bản để dụng cụ bằng dung môi, xăng, dầu hoặc hóa chất tương tự. Chúng có thể gây ra các vết nứt trên đế dụng cụ.
16. Sử dụng các đầu mũi máy đánh cạnh có đường kính thân đúng kích thước phù hợp với tốc độ của dụng cụ.
17. Một số vật liệu có thể chứa hóa chất độc hại. Phải cẩn trọng tránh hít phải bụi và tiếp xúc với da. Tuân theo dữ liệu an toàn của nhà cung cấp vật liệu.
18. Luôn luôn sử dụng đúng mặt nạ chống bụi/khẩu trang đối với loại vật liệu và ứng dụng bạn đang làm việc.

## LƯU GIỮ CÁC HƯỚNG DẪN NÀY.

**⚠ CẢNH BÁO:** KHÔNG vì đã thoải mái hay quen thuộc với sản phẩm (có được do sử dụng nhiều lần) mà không tuân thủ nghiêm ngặt các quy định về an toàn dành cho sản phẩm này. VIỆC DÙNG SAI hoặc không tuân theo các quy định về an toàn được nêu trong tài liệu hướng dẫn này có thể dẫn đến thương tích cá nhân nghiêm trọng.

## MÔ TẢ CHỨC NĂNG

**⚠ THẬN TRỌNG:** Luôn bảo đảm rằng dụng cụ được tắt điện và rút phích cắm trước khi điều chỉnh hoặc kiểm tra chức năng của dụng cụ.

## Điều chỉnh phần nhô ra của đầu mũi máy đánh cạnh

Để điều chỉnh phần nhô ra của đầu mũi, hãy vận lồng ốc xiết và di chuyển đế dụng cụ lên hoặc xuống theo mong muốn. Sau khi điều chỉnh, vận chặt ốc xiết lại thật chắc để giữ đế dụng cụ.

- **Hình1:** 1. Đế 2. Thang đo 3. Phần nhô đầu mũi  
4. Ốc xiết

## Hoạt động công tắc

**⚠ THẬN TRỌNG:** Trước khi cắm phích điện vào dụng cụ, luôn đảm bảo rằng dụng cụ đã được tắt.

Để khởi động dụng cụ, trượt cần công tắc về vị trí I. Để ngừng dụng cụ, trượt cần công tắc về vị trí O.

- **Hình2:** 1. Cần công tắc

## LẮP RÁP

**⚠ THẬN TRỌNG:** Luôn luôn đảm bảo rằng dụng cụ đã được tắt và tháo phích cắm trước khi dùng dụng cụ thực hiện bất cứ công việc nào.

## Lắp hoặc tháo gỡ đầu mũi máy đánh cạnh

**⚠ THẬN TRỌNG:** Không được vận chặt đai ốc ống lồng mà không lắp đầu mũi máy đánh cạnh vào, nếu không trụ ống lồng sẽ bị bể.

**⚠ THẬN TRỌNG:** Chỉ sử dụng loại cờ-lê đi kèm với dụng cụ.

Lắp đầu mũi máy đánh cạnh vào hết trong trụ ống lồng và vận chặt đai ốc lồng thật chắc bằng hai cái cờ-lê. Để tháo đầu mũi, hãy làm ngược lại quy trình lắp vào.

- **Hình3:** 1. Vận lồng 2. Vận chặt 3. Giữ

## VẬN HÀNH

**⚠ THẬN TRỌNG:** Luôn cầm chắc dụng cụ bằng một tay trên phần vỏ. Không được chạm vào phần kim loại.

**⚠ THẬN TRỌNG:** Do việc cắt quá mức có thể làm động cơ quá tải hoặc gặp khó khăn khi điều khiển dụng cụ, chiều sâu cắt không nên vượt quá 3 mm mỗi lượt khi cắt các rãnh. Khi bạn muốn cắt các rãnh có chiều sâu lớn hơn 3 mm, hãy thực hiện vài lượt cắt với cài đặt đầu mũi sâu hơn.

1. Đặt đế dụng cụ lên phôi gia công sẽ cắt mà không làm va chạm đầu mũi máy đánh cạnh vào bất cứ vật gì.
2. Bật dụng cụ lên và chờ đến khi đầu mũi máy đánh cạnh đạt tốc độ tối đa.
3. Di chuyển phần thân dụng cụ về phía trước bên trên bề mặt phôi gia công, giữ cho đế dụng cụ ngang bằng và đưa về trước nhẹ nhàng cho đến khi nào cắt xong.

► **Hình4**

Khi tiến hành cắt mép, bề mặt phôi gia công phải ở bên trái của đầu mũi máy đánh cạnh theo hướng nạp.

- **Hình5:** 1. Phôi gia công 2. Hướng xoay đầu mũi  
3. Góc nhìn từ trên xuống của dụng cụ  
4. Hướng nạp

Khi sử dụng thanh dẫn thẳng hoặc thanh dẫn đánh cạnh, cần đảm bảo giữ nó ở bên phải của hướng nạp. Điều này sẽ giúp nó ngang bằng với mặt bên của phôi gia công.

► **Hình6:** 1. Hướng nạp 2. Hướng xoay đầu mũi 3. Phôi gia công 4. Thanh dẫn thẳng

**LƯU Ý:** Di chuyển dụng cụ về phía trước quá nhanh có thể làm cho chất lượng vết cắt kém đi hoặc gây hư hỏng đầu mũi máy đánh cạnh hoặc mô-tơ. Di chuyển dụng cụ về phía trước quá chậm có thể làm vết cắt sâu hoặc bị hồng. Tốc độ nạp phù hợp sẽ tùy theo kích thước đầu mũi, loại phôi gia công và chiều sâu cắt. Trước khi bắt đầu cắt trên phôi gia công thực tế, tốt nhất hãy thực hiện cắt thử trên miếng gỗ vụn. Điều này sẽ cho biết chính xác vết cắt là như thế nào cũng như để bạn kiểm tra các kích thước.

## Thanh dẫn khuôn mẫu

Thanh dẫn khuôn mẫu có một ống trụ ngoài mà đầu mũi máy đánh cạnh sẽ xuyên qua, cho phép sử dụng máy đánh cạnh với các mẫu khuôn.

► **Hình7**

1. Vận lỏng ốc xiết và sau đó tháo giá đỡ thanh dẫn và tấm dẫn vụn bào ra.

► **Hình8:** 1. Ốc xiết 2. Giá đỡ thanh dẫn 3. Tấm dẫn vụn bào

2. Vận lỏng các vít và tháo tấm dẫn vụn bào.

► **Hình9:** 1. Phần bảo vệ đế 2. Vít

3. Đặt thanh dẫn khuôn mẫu lên đế và thay thế bộ phận bảo vệ đế. Sau đó cố định bộ phận bảo vệ đế bằng cách vận chặt các vít.

4. Giữ chặt khuôn mẫu vào phôi gia công. Đặt dụng cụ lên khuôn mẫu và di chuyển dụng cụ với thanh dẫn khuôn mẫu trượt dọc mặt bên khuôn mẫu.

► **Hình10:** 1. Đầu mũi máy đánh cạnh 2. Đế 3. Khuôn mẫu 4. Phôi gia công 5. Thanh dẫn khuôn mẫu

**LƯU Ý:** Vật gia công sẽ được cắt với kích thước hơi khác một chút so với khuôn mẫu. Cho phép khoảng cách (X) giữa đầu mũi máy đánh cạnh và bên ngoài của thanh dẫn khuôn mẫu. Khoảng cách (X) có thể được tính toán bằng phương trình sau:

**Khoảng cách (X) = (đường kính ngoài thanh dẫn khuôn mẫu - đường kính đầu mũi máy đánh cạnh) / 2**

## Thanh dẫn thẳng

### Phụ kiện tùy chọn

Thanh dẫn thẳng được sử dụng rất hiệu quả cho các đường cắt thẳng khi vật góc hoặc tạo rãnh.

► **Hình11**

1. Gắn tấm đỡ vào thanh dẫn thẳng bằng bu-lông và ốc tai vắn.

► **Hình12:** 1. Bu-lông 2. Tấm đỡ 3. Thanh dẫn thẳng 4. Ốc tai vắn

2. Tháo giá đỡ thanh dẫn và tấm dẫn vụn bào ra rồi gắn thanh dẫn thẳng bằng ốc xiết.

► **Hình13:** 1. Ốc xiết 2. Thanh dẫn thẳng 3. Ốc tai vắn 4. Đế

3. Vận lỏng ốc tai vắn trên thanh dẫn thẳng và điều chỉnh khoảng cách giữa đầu mũi máy đánh cạnh và thanh dẫn thẳng. Tại khoảng cách mong muốn, vận chặt ốc tai vắn thật chắc.

4. Khi cắt, hãy di chuyển dụng cụ sao cho thanh dẫn thẳng ngang bằng với mặt bên của phôi gia công.

Nếu khoảng cách (A) giữa mặt bên phôi gia công và vị trí cắt quá rộng cho thanh dẫn thẳng, hoặc nếu mặt bên phôi gia công không thẳng thì không thể sử dụng thanh dẫn thẳng. Trong trường hợp này, hãy kẹp chặt bàn đỡ thẳng vào phôi gia công và dùng nó làm thanh dẫn cho đế máy đánh cạnh. Nạp dụng cụ theo hướng của mũi tên.

► **Hình14**

## Công tác dạng tròn

Có thể hoàn tất công tác dạng tròn nếu bạn đã gắn thanh dẫn thẳng và tấm đỡ. Bán kính tối thiểu và tối đa của các vòng tròn được cắt (khoảng cách giữa tâm vòng tròn và tâm đầu mũi đánh cạnh) sẽ như sau:

- Tối thiểu : 70 mm
- Tối đa : 221 mm

**Đề cắt các vòng tròn bán kính từ 70 mm đến 121 mm**

► **Hình15:** 1. Ốc tai vắn 2. Thanh dẫn thẳng 3. Tấm đỡ 4. Lỗ ở giữa 5. Bu-lông

**Đề cắt các vòng tròn bán kính từ 121 mm đến 221 mm**

► **Hình16:** 1. Ốc tai vắn 2. Thanh dẫn thẳng 3. Tấm đỡ 4. Lỗ ở giữa 5. Bu-lông

**LƯU Ý:** Các vòng tròn có bán kính từ 172 mm đến 186 mm không thể cắt được bằng thanh dẫn này.

1. Cẩn chỉnh lỗ ở giữa trên thanh dẫn hướng thẳng theo tâm vòng tròn sẽ cắt.

2. Đóng một chiếc đinh đường kính nhỏ hơn 6 mm vào lỗ ở giữa để giữ chặt thanh dẫn hướng thẳng.

3. Quay dụng cụ xung quanh chiếc đinh đó theo chiều kim đồng hồ.

► **Hình17:** 1. Đinh ốc 2. Lỗ ở giữa 3. Thanh dẫn thẳng

## Thanh dẫn máy đánh cạnh

Việc đánh cạnh, các đường cắt uốn cong cho các tấm trang trí cho đồ nội thất và các vật dụng tương tự có thể được thực hiện dễ dàng bằng thanh dẫn máy đánh cạnh. Trục xoay dẫn hướng sẽ dẫn thành đường cong và đảm bảo tạo ra vết cắt chi tiết.

► **Hình18**

1. Gắn tấm dẫn vụn bào vào rãnh trên đế.

2. Lắp thanh dẫn đánh cạnh và giá đỡ thanh dẫn lên đế dụng cụ bằng ốc xiết (A).

3. Vận lỏng ốc xiết (B) và điều chỉnh khoảng cách giữa đầu mũi đánh cạnh và thanh dẫn đánh cạnh bằng cách xoay vít điều chỉnh (1 mm mỗi vòng xoay). Tại khoảng cách mong muốn, vận chặt ốc xiết (B) để giữ chặt thanh dẫn đánh cạnh đúng vị trí.

► **Hình19:** 1. Vít điều chỉnh 2. Giá đỡ thanh dẫn 3. Thanh dẫn máy đánh cạnh 4. Tấm dẫn vụn bào

4. Khi cắt, hãy di chuyển dụng cụ sao cho trục xoay dẫn hướng đi theo mặt bên của vật gia công.

► **Hình20:** 1. Phôi gia công 2. Đầu mũi máy đánh cạnh 3. Trục xoay dẫn hướng

## BẢO TRÌ

**⚠ THẬN TRỌNG:** Luôn bảo đảm rằng dụng cụ được tắt điện và rút phích cắm trước khi thử thực hiện việc kiểm tra hoặc bảo trì.

**CHÚ Ý:** Không được phép dùng xăng, ét xăng, dung môi, cồn hoặc hóa chất tương tự. Có thể xảy ra hiện tượng mất màu, biến dạng hoặc nứt vỡ.

## Thay chổi than

► **Hình21:** 1. Vạch giới hạn

Kiểm tra chổi than thường xuyên.

Thay chổi than khi chúng bị mòn dưới vạch giới hạn.

Giữ các chổi than sạch và có thể trượt dễ dàng vào chỗ giữ chổi. Cả hai chổi than phải được thay thế cùng một lúc. Chỉ sử dụng các chổi than giống nhau.

- Sử dụng tua vít để tháo nắp giá đỡ chổi than.
- Tháo chổi than đã mòn ra, lắp chổi than mới và cố định nắp giữ chổi than.

► **Hình22:** 1. Nắp giữ chổi

Để đảm bảo ĐỘ AN TOÀN và ĐỘ TIN CẬY của sản phẩm, việc sửa chữa hoặc bất cứ thao tác bảo trì, điều chỉnh nào đều phải được thực hiện bởi các Trung tâm Dịch vụ Nhà máy hoặc Trung tâm được Makita Ủy quyền và luôn sử dụng các phụ tùng thiết bị thay thế của Makita.

## PHỤ KIỆN TỰ CHỌN

**⚠ THẬN TRỌNG:** Các phụ kiện hoặc phụ tùng gắn thêm này được khuyến cáo sử dụng với dụng cụ Makita của bạn theo như quy định trong hướng dẫn này. Việc sử dụng bất cứ phụ kiện hoặc phụ tùng gắn thêm nào khác đều có thể gây ra rủi ro thương tích cho người. Chỉ sử dụng phụ kiện hoặc phụ tùng gắn thêm cho mục đích đã quy định sẵn của chúng.

Nếu bạn cần bất kỳ sự hỗ trợ nào để biết thêm chi tiết về các phụ tùng này, hãy hỏi Trung tâm Dịch vụ của Makita tại địa phương của bạn.

**LƯU Ý:** Một số mục trong danh sách có thể được bao gồm trong gói dụng cụ làm phụ kiện tiêu chuẩn. Các mục này ở mỗi quốc gia có thể khác nhau.

## Đầu mũi máy đánh cạnh

Đầu mũi thẳng

► **Hình23**

Đơn vị: mm

D	A	L1	L2
6	20	50	15
1/4"			
6	8	50	18
1/4"			
6	6	50	18
1/4"			

Đầu mũi tạo rãnh chữ U

► **Hình24**

Đơn vị: mm

D	A	L1	L2	R
6	6	60	28	3
1/4"				

Đầu mũi tạo rãnh chữ V

► **Hình25**

Đơn vị: mm

D	A	L1	L2	θ
1/4"	20	50	15	90°

Đầu mũi đánh cạnh ngang điểm khoan

► **Hình26**

Đơn vị: mm

D	A	L1	L2	L3
6	6	60	18	28
1/4"				

Đầu mũi đánh cạnh ngang hai điểm khoan

► **Hình27**

Đơn vị: mm

D	A	L1	L2	L3	L4
6	6	70	40	12	14
1/4"					

Đầu mũi tạo góc tròn

► **Hình28**

Đơn vị: mm

D	A1	A2	L1	L2	L3	R
6	25	9	48	13	5	8
1/4"						
6	20	8	45	10	4	4
1/4"						

**Đầu mũi vát cạnh****► Hình29**

Đơn vị: mm

D	A	L1	L2	L3	θ
6	23	46	11	6	30°
6	20	50	13	5	45°
6	20	49	14	2	60°

**Đầu mũi xoi tròn****► Hình30**

Đơn vị: mm

D	A	L1	L2	R
6	20	43	8	4
6	25	48	13	8

**Đầu mũi đánh cạnh ngang dạng bạc đạn****► Hình31**

Đơn vị: mm

D	A	L1	L2
6	10	50	20
1/4"			

**Đầu mũi tạo góc tròn dạng bạc đạn****► Hình32**

Đơn vị: mm

D	A1	A2	L1	L2	L3	R
6	15	8	37	7	3,5	3
6	21	8	40	10	3,5	6
1/4"	21	8	40	10	3,5	6

**Đầu mũi vạt góc dạng bạc đạn****► Hình33**

Đơn vị: mm

D	A1	A2	L1	L2	θ
6	26	8	42	12	45°
1/4"					
6	20	8	41	11	60°

**Đầu mũi xoi dạng bạc đạn****► Hình34**

Đơn vị: mm

D	A1	A2	A3	L1	L2	L3	R
6	20	12	8	40	10	5,5	4
6	26	12	8	42	12	4,5	7

**Đầu mũi xoi tròn dạng bạc đạn****► Hình35**

Đơn vị: mm

D	A1	A2	A3	A4	L1	L2	L3	R
6	20	18	12	8	40	10	5,5	3
6	26	22	12	8	42	12	5	5

**Đầu mũi vòm La Mã dạng bạc đạn****► Hình36**

Đơn vị: mm

D	A1	A2	L1	L2	L3	R1	R2
6	20	8	40	10	4,5	2,5	4,5
6	26	8	42	12	4,5	3	6




## ข้อมูลจำเพาะ

รุ่น:	M3700
ขนาดหัวจับดอก	6.35 mm (1/4") หรือ 6.0 mm
ความเร็วหมุนเปล่า	35,000 min <sup>-1</sup>
ความยาวโดยรวม	199 mm
น้ำหนักสุทธิ	1.4 kg
มาตรฐานความปลอดภัย	☐/II

- เนื่องจากการค้นคว้าวิจัยและพัฒนาอย่างต่อเนื่อง ข้อมูลจำเพาะในเอกสารฉบับนี้อาจเปลี่ยนแปลงได้โดยไม่ต้องแจ้งให้ทราบล่วงหน้า
- ข้อมูลจำเพาะอาจแตกต่างกันไปในแต่ละประเทศ
- นำหนักตามข้อบังคับของ EPTA 01/2003

### สัญลักษณ์

ต่อไปนี้เป็นสัญลักษณ์ที่ใช้สำหรับอุปกรณ์ โปรดศึกษาความหมายของสัญลักษณ์ให้เข้าใจก่อนการใช้งาน

	อ่านคู่มือการใช้งาน
	ฉนวนสองชั้น
	สำหรับประเทศในสหภาพยุโรปเท่านั้น ห้ามตั้งอุปกรณ์ไฟฟ้ารวมกับขยะครัวเรือนทั่วไป เพื่อให้เป็นไปตามกฎระเบียบของยุโรปเกี่ยวกับขยะจำพวกอุปกรณ์ไฟฟ้าและอิเล็กทรอนิกส์ และการปฏิบัติตามกฎหมายในประเทศ ต้องเก็บอุปกรณ์ไฟฟ้าทั้งหมดอายุการใช้งานแล้วแยกต่างหาก และส่งกลับไปยังศูนย์รีไซเคิลที่เป็นมิตรต่อสิ่งแวดล้อม

### จุดประสงค์การใช้งาน

เครื่องมือนี้ใช้สำหรับการเจาะและทำลวดลายบนไม้พลาสติก หรือวัสดุที่มีลักษณะเดียวกัน

### แหล่งจ่ายไฟ

ควรเชื่อมต่อเครื่องมือกับแหล่งจ่ายไฟที่มีแรงดันไฟฟ้าตามที่ระบุไว้ในป้ายข้อมูลของเครื่องมือ และจะต้องใช้ไฟฟ้ากระแสสลับแบบเฟสเดียวเท่านั้น อุปกรณ์นี้ได้รับการหุ้มฉนวนสองชั้นและสามารถใช้กับปลั๊กไฟที่ไม่มีสายดินได้

### คำเตือนด้านความปลอดภัยของเครื่องมือไฟฟ้าทั่วไป

**คำเตือน:** อ่านคำเตือนด้านความปลอดภัยและคำแนะนำทั้งหมด การไม่ปฏิบัติตามคำเตือนและคำแนะนำดังกล่าวอาจส่งผลให้ไฟฟ้าช็อต ไฟไหม้ และ/หรือได้รับบาดเจ็บร้ายแรง

### เก็บรักษาคำเตือนและคำแนะนำทั้งหมดไว้เป็นข้อมูลอ้างอิงในอนาคต

คำว่า “เครื่องมือไฟฟ้า” ในคำเตือนนี้หมายถึงเครื่องมือไฟฟ้า (มีสาย) ที่ทำงานโดยใช้กระแสไฟฟ้าหรือเครื่องมือไฟฟ้า (ไร้สาย) ที่ทำงานโดยใช้แบตเตอรี่

#### ความปลอดภัยของพื้นที่ทำงาน

1. ดูแลพื้นที่ทำงานให้มีความสะอาดและมีแสงไฟสว่าง พื้นที่รกร้างหรือมีเศษหรือมีดที่บอบช้ำนำไปสู่การเกิดอุบัติเหตุได้
2. อย่าใช้งานเครื่องมือไฟฟ้าในสภาพที่อาจเกิดการระเบิด เช่น ในสถานที่ที่มีของเหลว ก๊าซ หรือฝุ่นผงที่มีคุณสมบัติไวไฟ เครื่องมือไฟฟ้าอาจสร้างประกายไฟและจุดชนวนฝุ่นผงหรือก๊าซดังกล่าว
3. ดูแลไม่ให้มีเด็ก ๆ หรือบุคคลอื่นอยู่ในบริเวณที่กำลังใช้เครื่องมือไฟฟ้า การมีสิ่งรบกวนสมาธิอาจทำให้คุณสูญเสียการควบคุม

## ความปลอดภัยด้านไฟฟ้า

1. ปลั๊กของเครื่องมือไฟฟ้าต้องพอดีกับเต้ารับ อย่าตัดแปลงปลั๊กไม่ว่ากรณีใดๆ อย่าใช้ปลั๊กอะแดปเตอร์กับเครื่องมือไฟฟ้าที่ต่อสายดิน ปลั๊กที่ไม่ถูกตัดแปลงและเต้ารับที่เข้ากันพอดีจะช่วยลดความเสี่ยงของการเกิดไฟฟ้าช็อต
2. ระวังอย่าให้ร่างกายสัมผัสกับพื้นผิวที่ต่อสายดิน เช่น ท่อ เครื่องนำความร้อน เตาหุงต้ม และตู้เย็น มีความเสี่ยงที่จะเกิดไฟฟ้าช็อตตุงขึ้น หากร่างกายของคุณสัมผัสกับพื้น
3. อย่าให้เครื่องมือไฟฟ้าถูกน้ำหรืออยู่ในสภาพเปียกชื้น น้ำที่ไหลเข้าไปในเครื่องมือไฟฟ้าจะเพิ่มความเสี่ยงของการเกิดไฟฟ้าช็อต
4. อย่าใช้สายไฟอย่างไม่เหมาะสม อย่าใช้สายไฟเพื่อยก ดึง หรือถอดปลั๊กเครื่องมือไฟฟ้า เก็บสายไฟให้ห่างจากความร้อน น้ำมัน ของมีคม หรือชิ้นส่วนที่เคลื่อนที่ สายที่ชำรุดหรือพันกันจะเพิ่มความเสี่ยงของการเกิดไฟฟ้าช็อต
5. ขณะที่ใช้งานเครื่องมือไฟฟ้านอกอาคาร ควรใช้สายต่อพ่วงที่เหมาะสมกับงานภายนอกอาคาร การใช้สายที่เหมาะสมกับงานภายนอกอาคารจะลดความเสี่ยงของการเกิดไฟฟ้าช็อต
6. หากต้องใช้งานเครื่องมือไฟฟ้าในสถานที่เปียกชื้น ให้ใช้อุปกรณ์ป้องกันกระแสไฟรั่ว (RCD) การใช้ RCD จะลดความเสี่ยงของการเกิดไฟฟ้าช็อต
7. แนะนำให้ใช้แหล่งจ่ายไฟผ่าน RCD ที่มีกระแสไฟรั่วในอัตราไม่เกิน 30 mA เสมอ

## ความปลอดภัยส่วนบุคคล

1. ให้ระมัดระวังและมีสติอยู่เสมอขณะใช้งานเครื่องมือไฟฟ้า อย่าใช้งานเครื่องมือไฟฟ้าในขณะที่คุณกำลังเหนื่อย หรือในสภาพที่มึนเมาจากยาเสพติด เครื่องดื่ม แอลกอฮอล์ หรือการเข้าช้ำ ช่วงเวลาที่ขาดความระมัดระวังเมื่อกำลังใช้งานเครื่องมือไฟฟ้าอาจทำให้ได้รับบาดเจ็บร้ายแรง
2. ใช้อุปกรณ์ป้องกันส่วนบุคคล สวมแว่นตาป้องกันเสมอ อุปกรณ์ป้องกัน เช่น หน้ากากกันฝุ่น รองเท้านิรภัย กันลื่น หมวกนิรภัย หรือเครื่องป้องกันการได้ยินที่ใช้ในสภาพที่เหมาะสมจะช่วยลดการบาดเจ็บ
3. ป้องกันไม่ให้เกิดการเปิดใช้งานโดยไม่ตั้งใจ ตรวจสอบให้แน่ใจว่าสวิตช์ปิดอยู่ก่อนที่จะเชื่อมต่อกับแหล่งจ่ายไฟ และ/หรือชุดแบตเตอรี่ รวมทั้งตรวจสอบก่อนการยกหรือเคลื่อนย้ายเครื่องมือ การสอดนิ้วมือบริเวณสวิตช์เพื่อถือเครื่องมือไฟฟ้า หรือการชาร์จไฟเครื่องมือไฟฟ้าในขณะที่เปิดสวิตช์อยู่อาจนำไปสู่การเกิดอุบัติเหตุ

4. นำกฎแฉปรับตั้งหรือประแจออกก่อนที่จะเปิดเครื่องมือไฟฟ้า ประแจหรือกฎแฉที่เสียบค้างอยู่ในชิ้นส่วนที่หมุนได้ของเครื่องมือไฟฟ้าอาจทำให้ได้รับบาดเจ็บ
5. อย่าทำงานในระยะที่สุดเอื้อม จัดท่าการยืนและการทรงตัวให้เหมาะสมตลอดเวลา เพราะจะทำให้ควบคุมเครื่องมือไฟฟ้าได้ดีขึ้นในสถานการณ์ที่ไม่คาดคิด
6. แต่งกายให้เหมาะสม อย่าสวมเครื่องแต่งกายที่หลวมเกินไป หรือสวมเครื่องประดับ ดูแลไม่ให้เส้นผม เสื้อผ้า และถุงมืออยู่ใกล้ชิ้นส่วนที่เคลื่อนที่ เสื้อผ้า รุ่มร่าม เครื่องประดับ หรือผมที่มีความยาวอาจเข้าไปติดในชิ้นส่วนที่เคลื่อนที่
7. หากมีการจัดอุปกรณ์สำหรับดูดและจัดเก็บฝุ่นไว้ในสถานที่ ให้ตรวจสอบว่าได้เชื่อมต่อและใช้งานอุปกรณ์นั้นอย่างเหมาะสม การใช้เครื่องดูดและจัดเก็บฝุ่นจะช่วยลดอันตรายที่เกิดจากฝุ่นผงได้

## การใช้และดูแลเครื่องมือไฟฟ้า

1. อย่าฝืนใช้เครื่องมือไฟฟ้า ใช้เครื่องมือไฟฟ้าที่เหมาะสมกับการใช้งานของคุณ เครื่องมือไฟฟ้าที่เหมาะสมจะทำให้ได้งานที่มีประสิทธิภาพและปลอดภัยกว่า ความขีดความสามารถของเครื่องที่ได้รับการออกแบบมา
2. อย่าใช้เครื่องมือไฟฟ้า หากสวิตช์ไม่สามารถเปิดปิดได้ เครื่องมือไฟฟ้าที่ควบคุมด้วยสวิตช์ที่ไม่ได้เป็นลิ้งอันตรายและต้องได้รับการซ่อมแซม
3. ถอดปลั๊กจากแหล่งจ่ายไฟ และ/หรือชุดแบตเตอรี่ออกจากเครื่องมือไฟฟ้าก่อนทำการปรับตั้ง เปลี่ยนอุปกรณ์เสริม หรือจัดเก็บเครื่องมือไฟฟ้า วิธีการป้องกันด้านความปลอดภัยดังกล่าวจะช่วยลดความเสี่ยงของการเปิดใช้งานเครื่องมือไฟฟ้าอย่างไม่ตั้งใจ
4. จัดเก็บเครื่องมือไฟฟ้าที่ไม่ได้ใช้งานให้ห่างจากมือเด็ก และอย่าอนุญาตให้บุคคลที่ไม่คุ้นเคยกับเครื่องมือไฟฟ้าหรือคำแนะนำเหล่านี้ใช้งานเครื่องมือไฟฟ้า เครื่องมือไฟฟ้าจะเป็นอันตรายเมื่ออยู่ในมือของผู้ที่ไม่ได้รับการฝึกอบรม
5. การดูแลรักษาเครื่องมือไฟฟ้า ตรวจสอบการประกอบที่ไม่ถูกต้องหรือการเชื่อมต่อของชิ้นส่วนที่เคลื่อนที่ การแตกหักของชิ้นส่วน หรือสภาพอื่น ๆ ที่อาจส่งผลกระทบต่อการทำงานของเครื่องมือไฟฟ้า หากมีความเสียหาย ให้นำเครื่องมือไฟฟ้าไปซ่อมแซมก่อนการใช้งาน อุบัติเหตุจำนวนมากเกิดจากการดูแลรักษาเครื่องมือไฟฟ้าอย่างไม่ถูกต้อง
6. ทำความสะอาดเครื่องมือตัดและลับให้คมอยู่เสมอ เครื่องมือการตัดที่มีการดูแลอย่างถูกต้องและมีขอบการตัดคมมักจะมีความปลอดภัยดีและควบคุมได้ง่ายกว่า

- ใช้เครื่องมือไฟฟ้า อุปกรณ์เสริม และวัสดุสิ้นเปลือง ฯลฯ ตามคำแนะนำดังกล่าว พิจารณาสภาพการทำงานและงานที่จะลงมือทำ การใช้เครื่องมือไฟฟ้าเพื่อทำงานอื่นนอกเหนือจากที่กำหนดไว้อาจทำให้เกิดอันตราย

#### การซ่อมบำรุง

- นำเครื่องมือไฟฟ้าเข้ารับบริการจากช่างซ่อมที่ผ่านการรับรองโดยใช้อะไหล่แบบเดียวกันเท่านั้น เพราะจะทำให้การใช้เครื่องมือไฟฟ้ามีความปลอดภัย
- ปฏิบัติตามคำแนะนำในการหล่อลื่นและการเปลี่ยนอุปกรณ์เสริม
- ดูแลมือจับให้แห้ง สะอาด และไม่มันน้ำมันและจาระบีเปื้อน

### คำเตือนด้านความปลอดภัยของเครื่องฉลุลายไม้ไฟฟ้า

- ถือเครื่องมือที่ตามจับหุ้มฉนวนเท่านั้น เนื่องจากเครื่องมือตัดอาจจะสัมผัสกับสายไฟของเครื่องเอง การตัดสายไฟ "ที่มีกระแสไฟ" จะทำให้ส่วนที่เป็นโลหะเปลือยของเครื่องมือ "มีกระแสไฟ" และช็อตผู้ใช้งาน
- ใช้ปากกาจับหรือวิธีการปฏิบัติอื่น ๆ เพื่อยึดและรองรับชิ้นงานไว้บนพื้นที่ที่มั่นคง การใช้มือจับชิ้นงานหรือยึดชิ้นงานไว้กับร่างกายจะทำให้เกิดความไม่มั่นคงและสูญเสียการควบคุมได้
- สวมเครื่องป้องกันการได้ยินในระหว่างการใช้งานนานๆ
- จับดอกฉลุด้วยความระมัดระวัง
- ตรวจสอบดอกฉลุอย่างระมัดระวังเพื่อหารอยแตกหรือความเสียหายก่อนที่จะใช้งาน เปลี่ยนดอกฉลุที่ร้าวหรือเสียหายทันที
- หลีกเลี่ยงการตัดตะปู ตรวจสอบและถอนตะปูทั้งหมดออกจากชิ้นงานก่อนการทำงาน
- จับเครื่องมือให้แน่น
- ระวังอย่าให้มือสัมผัสกับชิ้นส่วนที่หมุนได้
- ตรวจสอบให้แน่ใจว่าดอกฉลุนั้นไม่ได้สัมผัสกับชิ้นงานก่อนที่จะเปิดสวิทช์
- ก่อนที่จะใช้เครื่องมือบนชิ้นงานจริง ปล่อยให้เครื่องมือทำงานเปล่าๆ สักครู่ ตรวจสอบดูการสั่นไหวหรือการส่ายไปมาที่สามารถบ่งบอกถึงการใส่ดอกเซาะร่องที่ไม่ถูกต้อง
- ระวังทิศทางการหมุนของดอกฉลุและทิศทางการป้อน
- อย่าปล่อยให้เครื่องมือทำงานค้างไว้ ใช้งานเครื่องมือในขณะที่ถืออยู่เท่านั้น

- ปิดสวิทช์และรอนกว่าดอกฉลุหยุดนิ่งสนิทก่อนที่จะเอาเครื่องมือออกจากชิ้นงาน
- ห้ามสัมผัสกับดอกฉลุนั้นที่ทำงานเสร็จ เนื่องจากดอกเซาะร่องหรือชิ้นงานอาจมีความร้อนสูงและลวกผิวหนังของคุณได้
- อย่าให้ฐานเครื่องมือเลอะทินเนอร์ เบนซิน น้ำมัน หรือสิ่งที่มีกลิ่นเหม็น สิ่งเหล่านี้อาจทำให้ฐานเครื่องมือแตกได้
- ใช้ดอกฉลุที่มีเส้นผ่านศูนย์กลางของขาเหมาะสมกับความเร็วของเครื่องมือ
- วัสดุบางอย่างอาจมีสารเคมีที่เป็นพิษ ระวังอย่าสูดดมฝุ่นหรือสัมผัสกับผิวหนัง ปฏิบัติตามข้อมูลด้านความปลอดภัยของผู้ผลิตวัสดุ
- ใช้หน้ากากกันฝุ่น/ควันพิษที่เหมาะสมกับวัสดุและการใช้งานที่คุณกำลังทำงานเสมอ

### ปฏิบัติตามคำแนะนำเหล่านี้

**คำเตือน:** อย่าให้ความไม่ระมัดระวังหรือความคุ้นเคยกับผลิตภัณฑ์ (จากการใช้งานซ้ำหลายครั้ง) อยู่เหนือการปฏิบัติตามกฎเกณฑ์ด้านความปลอดภัยในการใช้งาน ผลิตภัณฑ์อย่างเคร่งครัด การใช้งานอย่างไม่เหมาะสมหรือการไม่ปฏิบัติตามกฎเกณฑ์ด้านความปลอดภัยในคู่มือการใช้งานนี้อาจทำให้ได้รับบาดเจ็บร้ายแรง

### คำอธิบายการทำงาน

**ข้อควรระวัง:** ตรวจสอบให้แน่ใจว่าได้ปิดสวิทช์เครื่องมือและถอดปลั๊กออกก่อนปรับตั้งหรือตรวจสอบการทำงานของเครื่องมือ

### การปรับส่วนที่ยื่นออกของดอกฉลุ

เพื่อปรับระยะการยื่นของดอกฉลุ ให้คลายแหวนเกลียวกันคลายและเลื่อนฐานเครื่องมือขึ้นและลงตามต้องการ หลังจากปรับแล้ว ให้ขันสกรูกันคลายให้แน่นเพื่อยึดฐานเครื่องมือไว้

- หมายเลข 1: 1. ฐาน 2. หมายเลขระดับ 3. ดอกฉลุที่ยื่นออก 4. สกรูกันคลาย

## การทำงานของสวิตช์

**⚠ ข้อควรระวัง:** ก่อนจะเสียบปลั๊กเครื่องมือ ตรวจสอบให้แน่ใจว่าสวิตช์ของเครื่องมือปิด

เปิดใช้เครื่องมือโดยเลื่อนก้านสวิตช์ไปที่ตำแหน่ง I หยุดเครื่องมือโดยเลื่อนก้านสวิตช์ไปที่ตำแหน่ง O

▶ **หมายเลข 2:** 1. ก้านสวิตช์

## การประกอบ

**⚠ ข้อควรระวัง:** ตรวจสอบให้แน่ใจว่าได้ปิดสวิตช์เครื่องมือและถอดปลั๊กออกก่อนดำเนินงานใดๆ กับเครื่องมือ

## การติดตั้งหรือถอดดอกฉลุ

**⚠ ข้อควรระวัง:** อย่าขันแหวนเกลียวหัวจับโดยไม่ได้ใส่ดอกฉลุ มิฉะนั้นกรวยหัวจับอาจเสียหายได้

**⚠ ข้อควรระวัง:** ใช้เฉพาะประแจที่ให้มากับเครื่องมือเท่านั้น

ใส่ดอกฉลุเข้าไปในหัวจับจนสุดและขันแหวนหัวจับให้แน่นโดยใช้ประแจสองตัว เมื่อต้องการถอดดอกฉลุ ให้ปฏิบัติย้อนขั้นตอนการติดตั้ง

▶ **หมายเลข 3:** 1. คลาย 2. ขันแน่น 3. จับ

## การใช้งาน

**⚠ ข้อควรระวัง:** ถือเครื่องมือให้แน่นโดยใช่มือข้างหนึ่งจับที่กรอบเสมอ อย่าจับส่วนที่เป็นเหล็ก

**⚠ ข้อควรระวัง:** เนื่องจากการตัดที่ลึกเกินไปจะทำให้มอเตอร์ทำงานโอเวอร์โหลดหรือทำการควบคุมเครื่องมือได้ยาก ความลึกในการตัดนั้นจึงไม่ควรมากกว่า 3 mm ต่อแนวเมื่อทำงานเซาะร่อง เมื่อคุณต้องการจะเซาะร่องให้ลึกกว่า 3 mm ให้ทำการตัดแนวเดิมหลายๆ ทีโดยให้เพิ่มการยื่นของดอกเซาะร่องออกมาเรื่อยๆ ในแต่ละครั้ง

1. ตั้งฐานเครื่องมือบนชิ้นงานที่จะตัดโดยไม่ให้ดอกฉลุสัมผัสชิ้นงาน
2. เปิดสวิตช์เครื่องมือ และรอจนกระทั่งดอกฉลุทำงานด้วยความเร็วเต็มที่
3. เลื่อนเครื่องมือไปด้านหน้าบนผิวหน้าชิ้นงาน ให้ฐานเครื่องมือเป็นระนาบเดียวกับผิวหน้าชิ้นงานและเคลื่อนที่ไปอย่างช้าๆ จนกว่าการตัดจะเสร็จสิ้น

▶ **หมายเลข 4**

เมื่อทำการตัดมุม ผิวหน้าชิ้นงานควรอยู่ทางด้านซ้ายของทิศทางการป้อนดอกฉลุ

▶ **หมายเลข 5:** 1. ชิ้นงาน 2. ทิศทางการหมุนของดอกเซาะร่อง 3. มุมมองจากด้านบนของเครื่องมือ 4. ทิศทางการป้อน

เมื่อใช้รางแนวตรงหรือแนวเส้น ตรวจสอบให้แน่ใจว่าได้ติดตั้งรางไว้ทางด้านขวาของทิศทางการป้อน การทำเช่นนี้จะช่วยให้รางอยู่ในระนาบกับด้านข้างของชิ้นงาน

▶ **หมายเลข 6:** 1. ทิศทางการป้อน 2. ทิศทางการหมุนของดอกเซาะร่อง 3. ชิ้นงาน 4. รางแนวตรง

**หมายเหตุ:** การเลื่อนเครื่องมือไปข้างหน้าเร็วเกินไปอาจส่งผลให้ได้คุณภาพการตัดไม่ดี หรือทำความเสียหายกับดอกฉลุหรือมอเตอร์ได้ การเลื่อนเครื่องมือไปข้างหน้าช้าเกินไปอาจทำรอยไหม้และความเสียหายให้กับรอยตัดได้อัตราการป้อนที่เหมาะสมนั้นขึ้นอยู่กับขนาดดอกเซาะร่องประเภทของชิ้นงานและความลึกในการตัด ก่อนที่จะเริ่มตัดชิ้นงานจริง ขอแนะนำให้ทำการทดสอบการตัดบนเศษไม้ก่อน การทำเช่นนี้จะแสดงให้เห็นอย่างชัดเจนว่ารอยตัดจะเป็นอย่างไรและช่วยให้คุณตรวจสอบขนาดได้

## แนวแม่แบบ

แนวแม่แบบจะมีปลอกห่อสำหรับให้ดอกฉลุวิ่งผ่าน ช่วยให้ใช้งานเครื่องมือกับแพทเทิร์นแม่แบบได้

▶ **หมายเลข 7**

1. คลายสกรูกันคลายแล้วถอดตัวยึดรางและตัวบิดเศษไม้ ออก

▶ **หมายเลข 8:** 1. สกรูกันคลาย 2. ตัวยึดราง 3. ที่บิดเศษไม้

2. คลายสกรูและถอดตัวป้องกันฐานออก

▶ **หมายเลข 9:** 1. ตัวป้องกันฐาน 2. สกรู

3. วางแนวแม่แบบไว้บนฐานและเปลี่ยนตัวป้องกันฐาน จากนั้นยึดตัวป้องกันฐานไว้ด้วยกรวยขันสกรู

4. ยึดแม่แบบเข้ากับชิ้นงาน วางเครื่องมือบนแม่แบบและเลื่อนเครื่องมือที่มีตัวเลื่อนแนวแม่แบบไปตามด้านข้างของแม่แบบ

▶ **หมายเลข 10:** 1. ดอกฉลุ 2. ฐาน 3. แบบ 4. ชิ้นงาน 5. แนวแม่แบบ



**หมายเหตุ:** ชิ้นงานจะถูกตัดออกมาโดยมีขนาดที่แตกต่างจากแม่แบบเล็กน้อย เว้นระยะ (X) ระหว่างดอกฉลุและแนวแม่แบบด้านนอก ระยะ (X) สามารถคำนวณได้โดยใช้สมการต่อไปนี้:

$$\text{ระยะ (X)} = (\text{เส้นผ่าศูนย์กลางด้านนอกของแนวแม่แบบ} - \text{เส้นผ่าศูนย์กลางดอกฉลุ}) / 2$$

### ร่างแนวตรง

#### อุปกรณ์เสริม

ร่างแนวตรงใช้ได้กับการตัดแนวตรงเมื่อทำการชุบหรือเจาะร่อง

#### ► หมายเลข 11

1. ตอแผ่นนำเข้ากับร่างแนวตรงด้วยสลักเกลียวและแป้นเกลียวปิก

► หมายเลข 12: 1. สลักเกลียว 2. แผ่นนำทาง 3. ร่างแนวตรง 4. แป้นเกลียวปิก

2. ถอดตัวยึดร่างและที่ปิดเศษไม้ ออก แล้วติดตั้งร่างแนวตรงด้วยสกรูกันคลาย

► หมายเลข 13: 1. สกรูกันคลาย 2. ร่างแนวตรง 3. แป้นเกลียวปิก 4. ฐาน

3. คลายแป้นเกลียวปิกบนร่างแนวตรงแล้วปรับระยะระหว่างดอกฉลุกับร่างแนวตรง เมื่อได้ระยะที่ต้องการแล้วให้ขันแป้นเกลียวปิกให้แน่น

4. เมื่อทำการตัด ให้เลื่อนเครื่องมือที่มีร่างแนวตรงให้เป็นระนาบเดียวกับขอบของชิ้นงาน

หากระยะห่าง (A) ระหว่างด้านข้างของชิ้นงานและตำแหน่งในการตัดนั้นกว้างมากเกินไปสำหรับร่างแนวตรง หรือด้านข้างของชิ้นงานไม่ใช่แนวตรง จะไม่สามารถใช้ร่างแนวตรงได้ ในกรณีนี้ ให้ยึดแผ่นกระดานแนวตรงเข้ากับชิ้นงานและใช้แผ่นกระดานนี้เป็นแนวสำหรับฐานเล็ม ป้อนเครื่องมือในทิศทางของลูกศร

#### ► หมายเลข 14

### การทำรูปกลม

สามารถทำรูปวงกลมได้โดยการประกอบร่างแนวตรงและแผ่นนำ รัศมีต่ำสุดและสูงสุดของวงกลมที่จะตัด ระยะระหว่างศูนย์กลางของวงกลมและศูนย์กลางของดอกฉลุ มีดังนี้:

- ต่ำสุด: 70 mm
- สูงสุด: 221 mm

สำหรับการตัดวงกลมรัศมีระหว่าง 70 mm และ 121 mm

► หมายเลข 15: 1. แป้นเกลียวปิก 2. ร่างแนวตรง 3. แผ่นนำทาง 4. รูศูนย์กลาง 5. สลักเกลียว

สำหรับการตัดวงกลมรัศมีระหว่าง 121 mm และ 221 mm

► หมายเลข 16: 1. แป้นเกลียวปิก 2. ร่างแนวตรง 3. แผ่นนำทาง 4. รูศูนย์กลาง 5. สลักเกลียว

**หมายเหตุ:** วงกลมที่มีรัศมีระหว่าง 172 mm และ 186 mm จะไม่สามารถตัดได้โดยใช้ร่างแนวนี้

1. จัดรูศูนย์กลางในร่างแนวตรงเข้ากับจุดศูนย์กลางของวงกลมที่จะตัด

2. ดอกตะปูที่มีขนาดเส้นผ่าศูนย์กลางน้อยกว่า 6 mm เข้าไปในรูศูนย์กลางเพื่อยึดร่างแนวตรง

3. หมุนเครื่องมือไปรอบตะปูตามเข็มนาฬิกา

► หมายเลข 17: 1. ตะปู 2. รูศูนย์กลาง 3. ร่างแนวตรง

### ร่างแนวเล็ม

การเล็ม การตัดโค้งบนแผ่นไม้ประกบสำหรับเฟอร์นิเจอร์และสิ่งทีคล้ายกันสามารถทำได้ง่ายด้วยการใช้ร่างแนวเล็ม ลูกกลิ้งนำทางจะเลื่อนไปตามโค้งและทำให้แนวตัดออกมาสวยงาม

#### ► หมายเลข 18

1. ติดตั้งที่ปิดเศษไม้ไว้ที่ร่องของฐาน

2. ใส่ร่างแนวเล็มเข้ากับตัวยึดร่างบนฐานเครื่องมือด้วยสกรูกันคลาย (A)

3. คลายสกรูกันคลาย (B) แล้วปรับระยะห่างระหว่างดอกฉลุและแนวเล็มด้วยการปรับสกรู (รอบละ 1 mm) เมื่อได้ระยะที่ต้องการ ให้ขันสกรูกันคลาย (B) ให้แน่นเพื่อยึดร่างแนวเล็มไว้กับที่

► หมายเลข 19: 1. สกรูปรับ 2. ตัวยึดร่าง 3. ร่างแนวเล็ม 4. ที่ปิดเศษไม้

4. เมื่อทำการตัด ให้เลื่อนเครื่องมือที่มีลูกกลิ้งนำทางให้เป็นระนาบเดียวกับขอบของชิ้นงาน

► หมายเลข 20: 1. ชิ้นงาน 2. ดอกฉลุ 3. ลูกกลิ้งนำทาง

## การบำรุงรักษา

**⚠ ข้อควรระวัง:** ตรวจสอบให้แน่ใจว่าได้ปิดสวิตช์เครื่องมือและถอดปลั๊กออกก่อนทำการตรวจสอบหรือบำรุงรักษา

**ข้อสังเกต:** อย่าใช้น้ำมันเชื้อเพลิง เบนซิน ทินเนอร์ แอลกอฮอล์ หรือวัสดุประเภทเดียวกัน เนื่องจากอาจทำให้สีซีดจาง เสียรูป หรือแตกร้าวได้

## การเปลี่ยนแปรงคาร์บอน

▶ **หมายเลข 21:** 1. ชีตจำกัด

ตรวจสอบแปรงคาร์บอนเป็นประจำ  
เปลี่ยนแปรงคาร์บอนเมื่อสึกหรอจนถึงชีตจำกัด รักษาแปรงคาร์บอนให้สะอาด และอย่าให้แปรงคาร์บอนหลุดเข้าไปในที่ยึด ควรเปลี่ยนแปรงคาร์บอนทั้งสองแปรงพร้อมกัน ใช้แปรงคาร์บอนแบบเดียวกันเท่านั้น

1. ใช้ไขควงเพื่อถอดฝาปิดที่ยึดแปรงออก
2. นำแปรงคาร์บอนที่สึกหรอออกมา ใส่แปรงคาร์บอนใหม่เข้าไป และปิดฝาปิดที่ยึดแปรงให้แน่น

▶ **หมายเลข 22:** 1. ฝาปิดที่ยึดแปรง

เพื่อความปลอดภัยและนำเชื้อถือของผลิตภัณฑ์ ควรให้ศูนย์บริการหรือโรงงานที่ผ่านการรับรองจาก Makita เป็นผู้ดำเนินการซ่อมแซม บำรุงรักษาและทำการปรับตั้งอื่นๆ นอกจากนี้ให้ใช้อะไหล่ของแท้จาก Makita เสมอ

## อุปกรณ์เสริม

**⚠ ข้อควรระวัง:** ขอแนะนำให้ใช้เฉพาะอุปกรณ์เสริมหรืออุปกรณ์ต่อพ่วงเหล่านี้กับเครื่องมือ Makita ที่ระบุในคู่มือการใช้ อุปกรณ์เสริมหรืออุปกรณ์ต่อพ่วงอื่นๆ อาจมีความเสี่ยงที่จะได้รับบาดเจ็บ ใช้ อุปกรณ์เสริมหรืออุปกรณ์ต่อพ่วงตามวัตถุประสงค์ที่ระบุไว้เท่านั้น

หากต้องการทราบรายละเอียดเพิ่มเติมเกี่ยวกับอุปกรณ์เสริมเหล่านี้ โปรดสอบถามศูนย์บริการ Makita ใกล้บ้านคุณ

**หมายเหตุ:** อุปกรณ์บางรายการอาจจะรวมอยู่ในชุดเครื่องมือเป็นอุปกรณ์มาตรฐาน ซึ่งอาจแตกต่างกันไปในแต่ละประเทศ

## ดอกฉลุ

ดอกตรง

▶ **หมายเลข 23**

หน่วย: mm

D	A	L1	L2
6	20	50	15
1/4"			
6	8	50	18
1/4"			
6	6	50	18
1/4"			

ดอกร่องตัว U

▶ **หมายเลข 24**

หน่วย: mm

D	A	L1	L2	R
6	6	60	28	3
1/4"				

ดอกร่องตัว V

▶ **หมายเลข 25**

หน่วย: mm

D	A	L1	L2	θ
1/4"	20	50	15	90°

ดอกฉลุหัวส่วนระดับ

▶ **หมายเลข 26**

หน่วย: mm

D	A	L1	L2	L3
6	6	60	18	28
1/4"				

ดอกฉลุหัวส่วนระดับแบบดับเบิล

▶ **หมายเลข 27**

หน่วย: mm

D	A	L1	L2	L3	L4
6	6	70	40	12	14
1/4"					

ดอกกลมมุม

▶ หมายเลข 28

หน่วย: mm

D	A1	A2	L1	L2	L3	R
6	25	9	48	13	5	8
1/4"						
6	20	8	45	10	4	4
1/4"						

ดอกชุด

▶ หมายเลข 29

หน่วย: mm

D	A	L1	L2	L3	θ
6	23	46	11	6	30°
6	20	50	13	5	45°
6	20	49	14	2	60°

ดอกเว้า

▶ หมายเลข 30

หน่วย: mm

D	A	L1	L2	R
6	20	43	8	4
6	25	48	13	8

ดอกฉลุเม็ดตบอแลร์ริง

▶ หมายเลข 31

หน่วย: mm

D	A	L1	L2
6	10	50	20
1/4"			

ดอกกลมมุมเม็ดตบอแลร์ริง

▶ หมายเลข 32

หน่วย: mm

D	A1	A2	L1	L2	L3	R
6	15	8	37	7	3.5	3
6	21	8	40	10	3.5	6
1/4"	21	8	40	10	3.5	6

ดอกชุดเม็ดตบอแลร์ริง

▶ หมายเลข 33

หน่วย: mm

D	A1	A2	L1	L2	θ
6	26	8	42	12	45°
1/4"					
6	20	8	41	11	60°

ดอกเว้าเม็ดตบอแลร์ริง

▶ หมายเลข 34

หน่วย: mm

D	A1	A2	A3	L1	L2	L3	R
6	20	12	8	40	10	5.5	4
6	26	12	8	42	12	4.5	7

ดอกเม็ดเว้าบอลแบร์ริง

▶ หมายเลข 35

หน่วย: mm

D	A1	A2	A3	A4	L1	L2	L3	R
6	20	18	12	8	40	10	5.5	3
6	26	22	12	8	42	12	5	5

ดอกโค้งโรมันเม็ดตบอแลร์ริง

▶ หมายเลข 36

หน่วย: mm

D	A1	A2	L1	L2	L3	R1	R2
6	20	8	40	10	4.5	2.5	4.5
6	26	8	42	12	4.5	3	6

**Makita Corporation**  
3-11-8, Sumiyoshi-cho,  
Anjo, Aichi 446-8502 Japan  
[www.makita.com](http://www.makita.com)

885478B373  
EN, ZHCN, ID, MS,  
VI, TH  
20190723