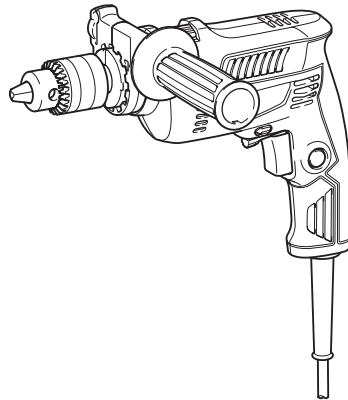




<b>EN</b>	Hammer Drill	<b>INSTRUCTION MANUAL</b>	<b>3</b>
<b>ZHCN</b>	冲击电钻	使用说明书	<b>8</b>
<b>ID</b>	Bor Palu	<b>PETUNJUK PENGGUNAAN</b>	<b>13</b>
<b>MS</b>	Gerudi Tukul	<b>MANUAL ARAHAN</b>	<b>18</b>
<b>VI</b>	Máy Khoan Búa Cầm Tay Hoạt Động Bằng Động Cơ Điện	<b>TÀI LIỆU HƯỚNG DẪN</b>	<b>23</b>
<b>TH</b>	สว่านไฟฟ้าแบบกระแทก	คู่มือการใช้งาน	<b>28</b>

**M0800**  
**M0801**



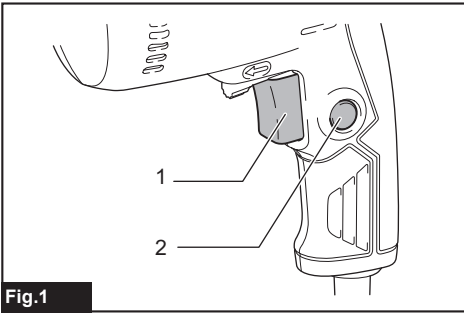


Fig.1

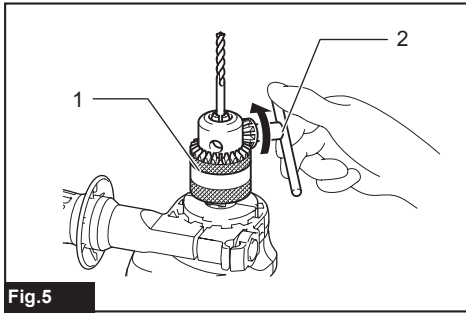


Fig.5

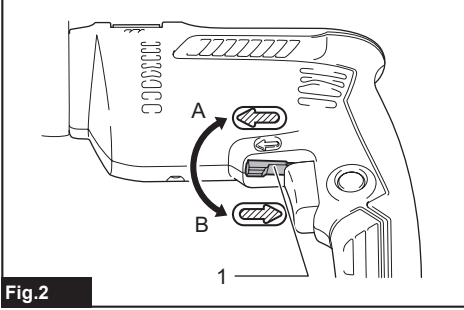


Fig.2

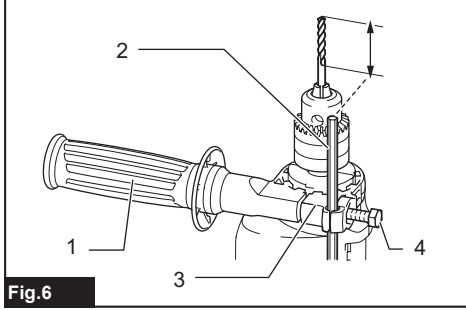


Fig.6

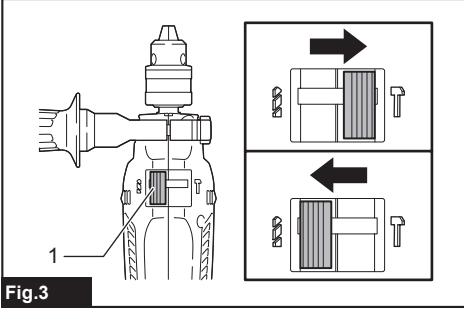


Fig.3

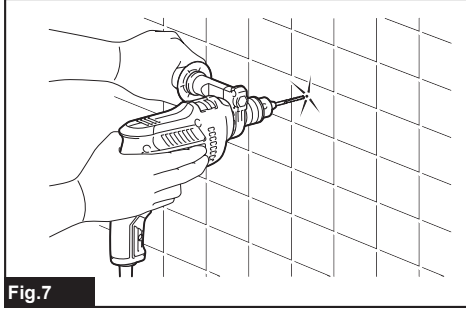


Fig.7

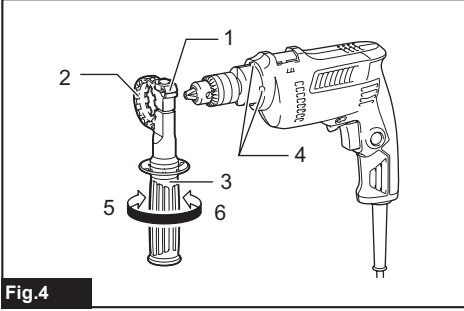


Fig.4

# SPECIFICATIONS

Model:		M0800	M0801
Capacities	Concrete	10 mm	16 mm
	Steel	10 mm	13 mm
	Wood	20 mm	
No load speed		0 - 3,200 min <sup>-1</sup>	
Blows per minute		0 - 48,000 min <sup>-1</sup>	
Overall length		254 mm	261 mm
Net weight		1.6 kg	1.7 kg
Safety class		□/II	

- Due to our continuing program of research and development, the specifications herein are subject to change without notice.
- Specifications may differ from country to country.
- Weight according to EPTA-Procedure 01/2014

## Symbols

The followings show the symbols which may be used for the equipment. Be sure that you understand their meaning before use.



Read instruction manual.



DOUBLE INSULATION



Only for EU countries  
Do not dispose of electric equipment together with household waste material! In observance of the European Directive, on Waste Electric and Electronic Equipment and its implementation in accordance with national law, electric equipment that have reached the end of their life must be collected separately and returned to an environmentally compatible recycling facility.

## Intended use

The tool is intended for impact drilling in brick, concrete and stone as well as for drilling without impact in wood, metal, ceramic and plastic.

## Power supply

The tool should be connected only to a power supply of the same voltage as indicated on the nameplate, and can only be operated on single-phase AC supply. They are double-insulated and can, therefore, also be used from sockets without earth wire.

## General power tool safety warnings

**⚠WARNING:** Read all safety warnings, instructions, illustrations and specifications provided with this power tool. Failure to follow all instructions listed below may result in electric shock, fire and/or serious injury.

## Save all warnings and instructions for future reference.

The term "power tool" in the warnings refers to your mains-operated (corded) power tool or battery-operated (cordless) power tool.

### Work area safety

1. **Keep work area clean and well lit.** Cluttered or dark areas invite accidents.
2. **Do not operate power tools in explosive atmospheres, such as in the presence of flammable liquids, gases or dust.** Power tools create sparks which may ignite the dust or fumes.
3. **Keep children and bystanders away while operating a power tool.** Distractions can cause you to lose control.

### Electrical safety

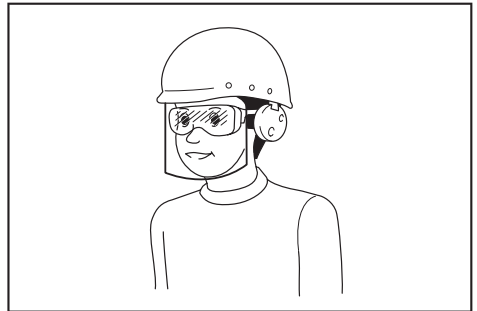
1. **Power tool plugs must match the outlet. Never modify the plug in any way. Do not use any adapter plugs with earthed (grounded) power tools.** Unmodified plugs and matching outlets will reduce risk of electric shock.
2. **Avoid body contact with earthed or grounded surfaces, such as pipes, radiators, ranges and refrigerators.** There is an increased risk of electric shock if your body is earthed or grounded.
3. **Do not expose power tools to rain or wet conditions.** Water entering a power tool will increase the risk of electric shock.

4. **Do not abuse the cord. Never use the cord for carrying, pulling or unplugging the power tool. Keep cord away from heat, oil, sharp edges or moving parts.** Damaged or entangled cords increase the risk of electric shock.
5. **When operating a power tool outdoors, use an extension cord suitable for outdoor use.** Use of a cord suitable for outdoor use reduces the risk of electric shock.
6. **If operating a power tool in a damp location is unavoidable, use a residual current device (RCD) protected supply.** Use of an RCD reduces the risk of electric shock.
7. **Use of power supply via an RCD with a rated residual current of 30 mA or less is always recommended.**
8. **Power tools can produce electromagnetic fields (EMF) that are not harmful to the user.** However, users of pacemakers and other similar medical devices should contact the maker of their device and/or doctor for advice before operating this power tool.
9. **Do not touch the power plug with wet hands.**
10. **If the cord is damaged, have it replaced by the manufacturer or his agent in order to avoid a safety hazard.**

#### Personal safety

1. **Stay alert, watch what you are doing and use common sense when operating a power tool. Do not use a power tool while you are tired or under the influence of drugs, alcohol or medication.** A moment of inattention while operating power tools may result in serious personal injury.
2. **Use personal protective equipment. Always wear eye protection.** Protective equipment such as a dust mask, non-skid safety shoes, hard hat or hearing protection used for appropriate conditions will reduce personal injuries.
3. **Prevent unintentional starting. Ensure the switch is in the off-position before connecting to power source and/or battery pack, picking up or carrying the tool.** Carrying power tools with your finger on the switch or energising power tools that have the switch on invites accidents.
4. **Remove any adjusting key or wrench before turning the power tool on.** A wrench or a key left attached to a rotating part of the power tool may result in personal injury.
5. **Do not overreach. Keep proper footing and balance at all times.** This enables better control of the power tool in unexpected situations.
6. **Dress properly. Do not wear loose clothing or jewellery. Keep your hair and clothing away from moving parts.** Loose clothes, jewellery or long hair can be caught in moving parts.
7. **If devices are provided for the connection of dust extraction and collection facilities, ensure these are connected and properly used.** Use of dust collection can reduce dust-related hazards.
8. **Do not let familiarity gained from frequent use of tools allow you to become complacent and ignore tool safety principles.** A careless action can cause severe injury within a fraction of a second.

9. **Always wear protective goggles to protect your eyes from injury when using power tools. The goggles must comply with ANSI Z87.1 in the USA, EN 166 in Europe, or AS/NZS 1336 in Australia/New Zealand. In Australia/New Zealand, it is legally required to wear a face shield to protect your face, too.**



**It is an employer's responsibility to enforce the use of appropriate safety protective equipments by the tool operators and by other persons in the immediate working area.**

#### Power tool use and care

1. **Do not force the power tool. Use the correct power tool for your application.** The correct power tool will do the job better and safer at the rate for which it was designed.
2. **Do not use the power tool if the switch does not turn it on and off.** Any power tool that cannot be controlled with the switch is dangerous and must be repaired.
3. **Disconnect the plug from the power source and/or remove the battery pack, if detachable, from the power tool before making any adjustments, changing accessories, or storing power tools.** Such preventive safety measures reduce the risk of starting the power tool accidentally.
4. **Store idle power tools out of the reach of children and do not allow persons unfamiliar with the power tool or these instructions to operate the power tool.** Power tools are dangerous in the hands of untrained users.
5. **Maintain power tools and accessories. Check for misalignment or binding of moving parts, breakage of parts and any other condition that may affect the power tool's operation. If damaged, have the power tool repaired before use.** Many accidents are caused by poorly maintained power tools.
6. **Keep cutting tools sharp and clean.** Properly maintained cutting tools with sharp cutting edges are less likely to bind and are easier to control.
7. **Use the power tool, accessories and tool bits etc. in accordance with these instructions, taking into account the working conditions and the work to be performed.** Use of the power tool for operations different from those intended could result in a hazardous situation.

8. **Keep handles and grasping surfaces dry, clean and free from oil and grease.** Slippery handles and grasping surfaces do not allow for safe handling and control of the tool in unexpected situations.
9. **When using the tool, do not wear cloth work gloves which may be entangled.** The entanglement of cloth work gloves in the moving parts may result in personal injury.

#### Service

1. **Have your power tool serviced by a qualified repair person using only identical replacement parts.** This will ensure that the safety of the power tool is maintained.
2. **Follow instruction for lubricating and changing accessories.**

### Hammer drill safety warnings

#### Safety instructions for all operations

1. **Wear ear protectors when impact drilling.** Exposure to noise can cause hearing loss.
2. **Use the auxiliary handle(s).** Loss of control can cause personal injury.
3. **Hold the power tool by insulated gripping surfaces, when performing an operation where the cutting accessory may contact hidden wiring or its own cord.** Cutting accessory contacting a "live" wire may make exposed metal parts of the power tool "live" and could give the operator an electric shock.
4. **Always be sure you have a firm footing. Be sure no one is below when using the tool in high locations.**
5. **Hold the tool firmly with both hands.**
6. **Keep hands away from rotating parts.**
7. **Do not leave the tool running. Operate the tool only when hand-held.**
8. **Do not touch the drill bit or the workpiece immediately after operation; they may be extremely hot and could burn your skin.**
9. **Some material contains chemicals which may be toxic. Take caution to prevent dust inhalation and skin contact. Follow material supplier safety data.**
10. **If the drill bit cannot be loosened even you open the jaws, use pliers to pull it out.** In such a case, pulling out the drill bit by hand may result in injury by its sharp edge.

#### Safety instructions when using long drill bits

1. **Never operate at higher speed than the maximum speed rating of the drill bit.** At higher speeds, the bit is likely to bend if allowed to rotate freely without contacting the workpiece, resulting in personal injury.
2. **Always start drilling at low speed and with the bit tip in contact with the workpiece.** At higher speeds, the bit is likely to bend if allowed to rotate freely without contacting the workpiece, resulting in personal injury.
3. **Apply pressure only in direct line with the bit and do not apply excessive pressure.** Bits can bend causing breakage or loss of control, resulting in personal injury.

## SAVE THESE INSTRUCTIONS.

**⚠WARNING:** DO NOT let comfort or familiarity with product (gained from repeated use) replace strict adherence to safety rules for the subject product. MISUSE or failure to follow the safety rules stated in this instruction manual may cause serious personal injury.

## FUNCTIONAL DESCRIPTION

**⚠CAUTION:** Always be sure that the tool is switched off and unplugged before adjusting or checking function on the tool.

### Switch action

**⚠WARNING:** Before plugging in the tool, always check to see that the switch trigger actuates properly and returns to the "OFF" position when released.

► Fig.1: 1. Switch trigger 2. Lock button

To start the tool, simply pull the switch trigger. Tool speed is increased by increasing pressure on the switch trigger. Release the switch trigger to stop.

For continuous operation, pull the switch trigger, push in the lock button and then release the switch trigger. To stop the tool from the locked position, pull the switch trigger fully, then release it.

**⚠CAUTION:** Switch can be locked in "ON" position for ease of operator comfort during extended use. Apply caution when locking tool in "ON" position and maintain firm grasp on tool.

### Reversing switch action

**⚠CAUTION:** Always check the direction of rotation before operation.

**⚠CAUTION:** Use the reversing switch only after the tool comes to a complete stop. Changing the direction of rotation before the tool stops may damage the tool.

**⚠CAUTION:** If the switch trigger can not be depressed, check to see that the reversing switch is fully set to the position ⇐ (A side) or the position ⇒ (B side).

► Fig.2: 1. Reversing switch lever

This tool has a reversing switch to change the direction of rotation. Move the reversing switch lever to the position ⇐ (A side) for clockwise rotation or to the position ⇒ (B side) for counterclockwise rotation.

## Selecting the action mode

**CAUTION:** Always slide the action mode changing lever all the way to your desired mode position. If you operate the tool with the lever positioned halfway between the mode symbols, the tool may be damaged.

► **Fig.3:** 1. Action mode changing lever

This tool has an action mode changing lever. For rotation with hammering, slide the action mode changing lever to the right (⏏ symbol). For rotation only, slide the action mode changing lever to the left (⏏ symbol).

## ASSEMBLY

**CAUTION:** Always be sure that the tool is switched off and unplugged before carrying out any work on the tool.

### Installing side grip (auxiliary handle)

**CAUTION:** Always be sure that the tool is switched off and unplugged before installing or removing the side grip.

► **Fig.4:** 1. Grip base 2. Teeth 3. Side grip (auxiliary handle) 4. Protrusion 5. Loosen 6. Tighten

Always use the side grip to ensure operating safety. Install the side grip so that the teeth on the grip fit in between the protrusions on the tool barrel. Then tighten the grip by turning clockwise at the desired position. It may be swung 360° so as to be secured at any position.

### Installing or removing drill bit

**CAUTION:** Always be sure that the tool is switched off and unplugged before installing or removing the drill bit.

► **Fig.5:** 1. Drill chuck 2. Chuck key

To install the drill bit, place it in the drill chuck as far as it will go. Tighten the chuck by hand. Place the chuck key in each of the three holes and tighten clockwise. Be sure to tighten all three chuck holes evenly.

To remove the drill bit, turn the drill chuck key counterclockwise in just one hole, then loosen the chuck by hand.

After using the chuck key, be sure to return it to the original position.

## Depth gauge (country specific)

► **Fig.6:** 1. Side grip 2. Depth gauge 3. Grip base 4. Hex bolt

The depth gauge is convenient for drilling holes of uniform depth. Install the depth gauge by the following sequence.

1. Turn the side grip counterclockwise to loosen the hex bolt.
2. Insert the depth gauge and adjust the depth of hole.
3. Turn the side grip clockwise so that the depth gauge and the grip base are fixed on the tool completely.

**NOTE:** The depth gauge cannot be used at the position where the depth gauge strikes against the tool body.

## OPERATION

**CAUTION:** Always use the side grip (auxiliary handle) and firmly hold the tool by both side grip and switch handle during operations.

► **Fig.7**

### Hammer drilling operation

**CAUTION:** There is tremendous and sudden twisting force exerted on the tool/drill bit at the time of hole break-through, when the hole becomes clogged with chips and particles, or when striking reinforcing rods embedded in the concrete. **Always use the side grip (auxiliary handle) and firmly hold the tool by both side grip and switch handle during operations.** Failure to do so may result in the loss of control of the tool and potentially severe injury.

When drilling in concrete, granite, tile, etc., slide the action mode changing lever to the position of ⏏ symbol to use "rotation with hammering" action. Be sure to use a tungsten-carbide tipped drill bit. Do not apply more pressure when the hole becomes clogged with chips or particles. Instead, run the tool at an idle, then remove the drill bit partially from the hole. By repeating this several times, the hole will be cleaned out. After drilling the hole, use the blow-out bulb to clean the dust out of the hole.


## Drilling operation

**⚠ CAUTION:** Pressing excessively on the tool will not speed up the drilling. In fact, this excessive pressure will only serve to damage the tip of your drill bit, decrease the tool performance and shorten the service life of the tool.

**⚠ CAUTION:** Hold the tool firmly and exert care when the drill bit begins to break through the workpiece. There is a tremendous force exerted on the tool/drill bit at the time of hole break through.

**⚠ CAUTION:** A stuck drill bit can be removed simply by setting the reversing switch to reverse rotation in order to back out. However, the tool may back out abruptly if you do not hold it firmly.

**⚠ CAUTION:** Always secure workpieces in a vise or similar hold-down device.

When drilling in wood, metal or plastic materials, slide the action mode changing lever to the position of  symbol to use "rotation only" action.

### Drilling in wood

When drilling in wood, the best results are obtained with wood drills equipped with a guide screw. The guide screw makes drilling easier by pulling the drill bit into the workpiece.

### Drilling in metal

To prevent the drill bit from slipping when starting a hole, make an indentation with a center-punch and hammer at the point to be drilled. Place the point of the drill bit in the indentation and start drilling.

Use a cutting lubricant when drilling metals. The exceptions are iron and brass which should be drilled dry.

## MAINTENANCE

**⚠ CAUTION:** Always be sure that the tool is switched off and unplugged before attempting to perform inspection or maintenance.

**NOTICE:** Never use gasoline, benzine, thinner, alcohol or the like. Discoloration, deformation or cracks may result.

To maintain product SAFETY and RELIABILITY, repairs, carbon brush inspection and replacement, any other maintenance or adjustment should be performed by Makita Authorized or Factory Service Centers, always using Makita replacement parts.

## 规格

型号:		M0800	M0801
能力	混凝土	10 mm	16 mm
	钢材	10 mm	13 mm
	木材	20 mm	
空载速度		0 - 3,200 r/min	
每分钟锤击数		0 - 48,000 /min	
长度		254 mm	261 mm
净重		1.6 kg	1.7 kg
安全等级		回/II	

- 生产者保留变更规格不另行通知之权利。
- 规格可能因销往国家之不同而异。
- 重量符合EPTA-Procedure 01/2014

## 符号

以下显示本设备可能会使用的符号。在使用工具之前，请务必理解其含义。



阅读使用说明书。



II类工具



仅限于欧盟国家  
请勿将电气设备与家庭普通废弃物一同丢弃！请务必遵守欧洲关于废弃电子电气设备的指令，根据各国法律法规执行。达到使用寿命的电气设备必须分类回收至符合环境保护规定的再循环机构。

## 用途

本工具用于在砖块、混凝土和石头中的冲击钻孔以及在木材、金属、陶瓷和塑料中的无冲击钻孔。

## 电源

本工具只可连接电压与铭牌所示电压相同的电源，且仅可使用单相交流电源。本工具双重绝缘，因此也可用于不带接地线的插座。

## 电动工具通用安全警告

**警告：** 阅读随电动工具提供的所有安全警告、说明、图示和规定。不遵照以下所列说明会导致电击、着火和 / 或严重伤害。

## 保存所有警告和说明书以备查阅。

警告中的术语“电动工具”是指市电驱动（有线）电动工具或电池驱动（无线）电动工具。

### 工作场地的安全

1. 保持工作场地清洁和明亮。杂乱和黑暗的场地会引发事故。
2. 不要在易爆环境，如有易燃液体、气体或粉尘的环境下操作电动工具。电动工具产生的火花会点燃粉尘或气体。
3. 操作电动工具时，远离儿童和旁观者。注意力不集中会使你失去对工具的控制。

### 电气安全

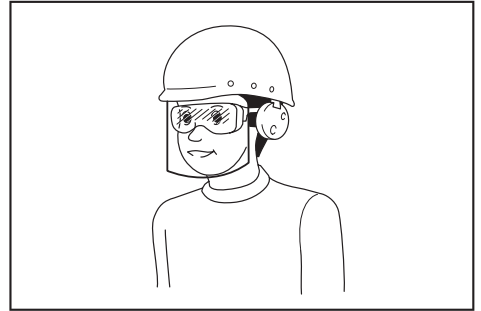
1. 电动工具插头必须与插座相配。绝不能以任何方式改装插头。需接地的电动工具不能使用任何转换插头。未经改装的插头和相配的插座将降低电击风险。
2. 避免人体接触接地表面，如管道、散热片和冰箱。如果你身体接触接地表面会增加电击风险。



3. 不得将电动工具暴露在雨中或潮湿环境中。水进入电动工具将增加电击风险。
4. 不得滥用软线。绝不能用软线搬运、拉动电动工具或拔出其插头。使软线远离热源、油、锐边或运动部件。受损或缠绕的软线会增加电击风险。
5. 当在户外使用电动工具时，使用适合户外使用的延长线。适合户外使用的电线将降低电击风险。
6. 如果无法避免在潮湿环境中操作电动工具，应使用带有剩余电流装置（RCD）保护的电源。RCD的使用可降低电击风险。
7. 始终建议通过额定剩余电流为30 mA或以下的RCD来使用电源。
8. 电动工具会产生对用户无害的电磁场（EMF）。但是，起搏器和其他类似医疗设备的用户应在操作本电动工具前咨询其设备的制造商和 / 或医生寻求建议。
9. 请勿用湿手触摸电源插头。
10. 如果导线破损，则由制造商或其代理商更换以避免安全隐患。

## 人身安全

1. 保持警觉，当操作电动工具时关注所从事的操作并保持清醒。当你感到疲倦，或在有药物、酒精或治疗反应时，不要操作电动工具。在操作电动工具时瞬间的疏忽会导致严重人身伤害。
2. 使用个人防护装置。始终佩戴护目镜。防护装置，诸如适当条件下使用防尘面具、防滑安全鞋、安全帽、听力防护等装置能减少人身伤害。
3. 防止意外起动。在连接电源和/或电池包、拿起或搬运工具前确保开关处于关断位置。手指放在开关上搬运工具或开关处于接通时通电会导致危险。
4. 在电动工具接通之前，拿掉所有调节钥匙或扳手。遗留在电动工具旋转零件上的扳手或钥匙会导致人身伤害。
5. 手不要过分伸展。时刻注意立足点和身体平衡。这样能在意外情况下能更好地控制住电动工具。
6. 着装适当。不要穿宽松衣服或佩戴饰品。让你的头发和衣服远离运动部件。宽松衣服、佩饰或长发可能会卷入运动部件。
7. 如果提供了与排屑、集尘设备连接用的装置，要确保其连接完好且使用得当。使用集尘装置可降低尘屑引起的危险。



雇主有责任监督工具操作者和其他近工作区域人员佩戴合适的安全防护设备。

## 电动工具使用和注意事项

1. 不要勉强使用电动工具，根据用途使用合适的电动工具。选用合适的按照额定值设计的电动工具会使你工作更有效、更安全。
2. 如果开关不能接通或关断电源，则不能使用该电动工具。不能通过开关来控制的电动工具是危险的且必须进行修理。
3. 在进行任何调节、更换附件或贮存电动工具之前，必须从电源上拔掉插头和/或卸下电池包（如可拆卸）。这种防护性的安全措施降低了电动工具意外起动的风险。
4. 将闲置不用的电动工具贮存在儿童所及范围之外，并且不允许不熟悉电动工具和不了解这些说明的人操作电动工具。电动工具在未经培训的使用者手中是危险的。
5. 维护电动工具及其附件。检查运动部件是否调整到位或卡住，检查零件破损情况和影响电动工具运行的其他状况。如有损坏，应在使用前修理好电动工具。许多事故是由维护不良的电动工具引发的。
6. 保持切削刀具锋利和清洁。维护良好地有锋利切削刃的刀具不易卡住而且容易控制。

- 按照使用说明书，并考虑作业条件和要进行的作业来选择电动工具、附件和工具的刀头等。将电动工具用于那些与其用途不符的操作可能会导致危险情况。
- 保持手柄和握持表面干燥、清洁，不得沾有油脂。在意外的情况下，湿滑的手柄不能保证握持的安全和对工具的控制。
- 使用本工具时，请勿佩戴可能会缠结的布质工作手套。布质工作手套卷入移动部件可能会造成人身伤害。

#### 维修

- 由专业维修人员使用相同的备件维修电动工具。这将保证所维修的电动工具的安全。
- 上润滑油及更换附件时请遵循本说明书指示。

### 冲击电钻使用安全警告

#### 所有操作的安全注意事项

- 使用冲击电钻时要戴好耳罩。暴露在噪声中会引起听力损伤。
- 使用辅助手柄。失控会造成人身伤害。
- 当进行作业时切割附件可能会接触到隐藏的电线或自身的电线，请握住电动工具的绝缘抓握表面。切割附件接触到“带电”的电线时，电动工具上暴露的金属部分可能也会“带电”，并使操作者触电。
- 请务必确保立足稳固。在高空使用工具时确保下方无人。
- 需用双手握紧工具。
- 手应远离旋转的部件。
- 运行中的工具不可离手放置。只可在手握工具的情况下操作工具。
- 操作之后，请勿立刻触摸钻头或工件，因为它们可能会非常烫而导致烫伤皮肤。
- 某些材料含有有毒化学物质。小心不要吸入粉尘，并避免皮肤接触。遵循材料供应商的安全提示。
- 如果打开卡爪依然无法拧松钻头，请使用虎钳将其拉出。在这种情况下，徒手拉出钻头会因尖锐的边缘受伤。

#### 使用长钻头时的安全注意事项

- 操作时的速度切勿高于钻头的额定速度。在高速状态下，如果让钻头不接触工件空转，则钻头可能会弯曲，造成人身伤害。
- 务必以低速开始钻孔，并将钻头的端部与工件接触。在高速状态下，如果让钻头不接触工件空转，则钻头可能会弯曲，造成人身伤害。
- 只在与钻头对齐的位置施加压力，切勿过度施压。否则钻头可能弯曲导致破损或失控，造成人身伤害。

### 请保留此说明书。

**警告：** 请勿为图方便或因对产品足够熟悉（由于重复使用而获得的经验）而不严格遵循相关产品安全规则。使用不当或不遵循使用说明书中的安全规则会导致严重的人身伤害。

### 功能描述

**小心：** 在调节或检查工具功能之前，请务必关闭工具电源开关并拔下电源插头。

### 开关操作

**警告：** 插上工具电源插头之前，请务必确认开关扳机能够正常工作，松开时能回到“OFF”（关闭）位置。

► 图片1: 1. 开关扳机 2. 锁止按钮

启动工具时，只要扣动开关扳机即可。随着在开关扳机上施加压力的增大，工具速度会提高。松开开关扳机工具即停止。

连续操作时，请扣动开关扳机并按下锁定按钮，然后松开开关扳机。要从锁定位置停止工具时，可将开关扳机扣到底，然后松开。

**小心：** 长时间使用时，可将开关锁定在“ON”（开启）位置，使操作更加舒适。将工具锁定在“ON”（开启）位置时请小心，务必牢固抓握工具。

## 反转开关的操作

**⚠️小心：** 操作前请务必确认工具的旋转方向。

**⚠️小心：** 只有当工具完全停止转动后方可使用反转开关。如果在工具停止之前改变旋转方向，可能会损坏工具。

**⚠️小心：** 若开关扳机无法扣动，请检查反转开关是否完全拨在↶位置（A侧）或↷位置（B侧）。

► 图片2: 1. 反转切换柄

本工具设有反转开关，可改变旋转方向。将反转切换柄拨至↶位置（A侧）可进行顺时针旋转；拨至↷位置（B侧）可进行逆时针旋转。

## 选择动作模式

**⚠️小心：** 请务必将动作模式变换杆向需要的模式位置滑动到底。如果将变换杆滑动到中途位置便操作工具，则有可能使工具损坏。

► 图片3: 1. 动作模式变换杆

本工具带有动作模式变换杆。需要旋转并作冲击动作时，请将动作模式变换杆滑动到右边（☞符号）。仅需要旋转时，可将动作模式变换杆滑动到左边（☜符号）。

## 装配

**⚠️小心：** 对工具进行任何装配操作前请务必确认机器已关闭且已拔下电源插头。

## 安装侧把手（辅助手柄）

**⚠️小心：** 安装或拆卸侧把手之前，请务必关闭工具电源并拔下插头。

► 图片4: 1. 把手基座 2. 齿 3. 侧把手（辅助手柄） 4. 凸起部分 5. 拧松 6. 拧紧

请务必使用侧把手以保证操作安全。安装侧把手时，请将把手的齿嵌入工具的凸起之间。然后顺时针旋紧把手至适当位置。把手可以360°旋转到任何一面，因此可以固定在任何位置。

## 安装或拆卸钻头

**⚠️小心：** 在安装或拆下钻头之前，请务必确认已经关闭工具电源并且已将电源插头拔下。

► 图片5: 1. 钻机卡盘 2. 卡盘键

安装钻头时，应将钻头装入钻机卡盘，尽量将其推到底。用手旋紧卡盘。将卡盘键依次放入三个孔中并顺时针旋紧。请务必均匀旋紧三个卡盘孔。

拆下钻头时，将钻机卡盘键插入一个孔中并逆时针旋转，然后用手拧松卡盘。

用完卡盘键后，请务必将其放回原位。

## 深度规（规格因国家而异）

► 图片6: 1. 侧把手 2. 深度规 3. 把手基座 4. 六角螺栓

深度规便于确保钻孔深度的统一。请按照以下步骤安装深度规。

1. 逆时针转动侧把手以拧松六角螺栓。
2. 插入深度规并调整孔深。
3. 顺时针转动侧把手以将深度规和把手基座完全固定至工具。

**注：** 如操作位置会造成深度规撞击机身，则请勿使用深度规。

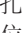
## 操作

**⚠️小心：** 操作期间，请务必同时抓牢侧把手（辅助手柄）和开关手柄，紧紧握住工具。


► 图片7


## 冲击钻孔操作


**⚠️小心：** 钻穿时若钻孔被碎片或粉屑堵塞或冲击到混凝土中的钢筋，工具/钻头会受到极大的突然扭力。操作期间，请务必同时抓牢侧把手（辅助手柄）和开关手柄，紧紧握住工具。否则可能造成工具失控和严重伤害。


在混凝土、花岗岩、砖瓦等材料上钻孔时，请将动作模式变换杆滑动到  符号的位置，然后使用“旋转+冲击”动作。请务必使用碳化钨钻头。当钻孔被碎屑或碎片堵塞时，切勿过度用力。相反，请怠速旋转工具，然后逐渐从孔中取出钻头。重复此操作数次之后，钻孔将被清理干净。钻孔后用吹气球清除孔眼中的尘土。


## 钻孔操作

 **小心：** 过分用力按压工具并不会提高钻孔效率。事实上，过大的压力只会损坏钻头尖，降低工具性能，缩短工具使用寿命。

 **小心：** 钻头即将钻穿工件时需握紧工具，注意力集中。钻穿时工具 / 钻头会受到极大的突然扭力。

 **小心：** 取出卡住的钻头时，只需将反转开关设为反向旋转便可退出工具。但如果不紧紧握住工具，工具可能突然退出。

 **小心：** 请务必用虎钳或类似夹紧装置固定工件。

在木材、金属或塑料材料上钻孔时，请将动作模式变换杆滑动到  符号的位置，使用“旋转”动作。

## 在木材上钻孔


在木材上钻孔时，使用带有前导螺丝的木材用钻头将获得最佳效果。这种前导螺丝可令钻孔操作更加轻松。

## 在金属上钻孔

开始钻孔时，为了防止钻头打滑，可用一尖冲头和锤子在金属板上想要钻孔的地方打一痕迹。将钻头尖端放入凹痕，然后开始钻孔。

在金属上钻孔时请使用切割油。但在铁和铜材料上钻孔时应干钻。

## 保养

 **小心：** 检查或保养工具之前，请务必关闭工具电源开关并拔下插头。

**注意：** 切勿使用汽油、苯、稀释剂、酒精或类似物品清洁工具。否则可能会导致工具变色、变形或出现裂缝。

为了保证产品的安全性与可靠性，任何维修、碳刷检查、更换部件或其它维修保养工作需由Makita（牧田）授权或工厂服务中心完成。务必使用Makita（牧田）的替换部件。

## SPEKIFIKASI

Model:		M0800	M0801
Kapasitas	Beton	10 mm	16 mm
	Baja	10 mm	13 mm
	Kayu	20 mm	
Kecepatan tanpa beban		0 - 3.200 min <sup>-1</sup>	
Hembusan per menit		0 - 48.000 min <sup>-1</sup>	
Panjang keseluruhan		254 mm	261 mm
Berat bersih		1,6 kg	1,7 kg
Kelas keamanan		□/II	

- Karena kesinambungan program penelitian dan pengembangan kami, spesifikasi yang disebutkan di sini dapat berubah tanpa pemberitahuan.
- Spesifikasi dapat berbeda dari satu negara ke negara lainnya.
- Berat menurut Prosedur EPTA 01/2014

### Simbol

Berikut ini adalah simbol-simbol yang dapat digunakan pada peralatan ini. Pastikan Anda memahami arti masing-masing simbol sebelum menggunakan peralatan.



Baca petunjuk penggunaan.



ISOLASI GANDA



Hanya untuk negara-negara Uni Eropa  
Jangan membuang peralatan listrik atau baterai bersama-sama dengan bahan limbah rumah tangga! Dengan memerhatikan Petunjuk Eropa, tentang Limbah Peralatan Listrik dan Elektronik serta pelaksanaannya sesuai dengan ketentuan hukum nasional, peralatan listrik yang telah habis umur pakainya harus dikumpulkan secara terpisah dan dikembalikan ke fasilitas daur ulang yang kompatibel secara lingkungan.

### Penggunaan

Mesin ini digunakan untuk membor kejut batu bata, beton dan batu serta juga untuk membor tanpa kejut kayu, logam, keramik dan plastik.

### Pasokan daya

Mesin harus terhubung dengan pasokan daya listrik yang bervoltase sama dengan yang tertera pada pelat nama, dan hanya dapat dijalankan dengan listrik AC fase tunggal. Mesin diisolasi ganda dan oleh sebab itu dapat dihubungkan dengan soket tanpa kabel.

### Peringatan keselamatan umum mesin listrik

**⚠ PERINGATAN:** Bacalah semua peringatan keselamatan, petunjuk, ilustrasi dan spesifikasi yang disertakan bersama mesin listrik ini. Kelalaian untuk mematuhi semua petunjuk yang tercantum di bawah ini dapat menyebabkan sengatan listrik, kebakaran dan/atau cedera serius.

### Simpanlah semua peringatan dan petunjuk untuk acuan di masa depan.

Istilah "mesin listrik" dalam semua peringatan mengacu pada mesin listrik yang dijalankan dengan sumber listrik jala-jala (berkabel) atau baterai (tanpa kabel).

#### Keselamatan tempat kerja

1. **Jaga tempat kerja selalu bersih dan berpenerangan cukup.** Tempat kerja yang berantakan dan gelap mengundang kecelakaan.
2. **Jangan gunakan mesin listrik dalam lingkungan yang mudah meledak, misalnya jika ada cairan, gas, atau debu yang mudah menyala.** Mesin listrik menimbulkan bunga api yang dapat menyalakan debu atau uap tersebut.
3. **Jauhkan anak-anak dan orang lain saat menggunakan mesin listrik.** Bila perhatian terpecah, anda dapat kehilangan kendali.

#### Keamanan Kelistrikan

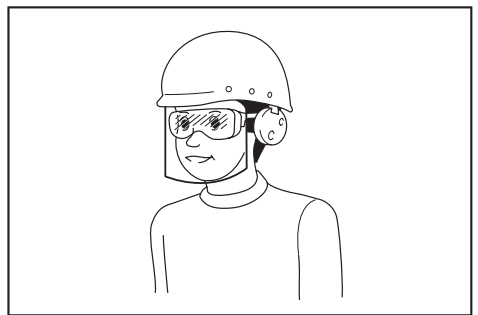
1. **Steker mesin listrik harus cocok dengan stopkontak. Jangan sekali-kali mengubah steker dengan cara apa pun. Jangan menggunakan steker adaptor dengan mesin listrik terbumi (dibumikan).** Steker yang tidak diubah dan stopkontak yang cocok akan mengurangi risiko sengatan listrik.

2. **Hindari sentuhan tubuh dengan permukaan terbumi atau yang dibumikan seperti pipa, radiator, kompor, dan kulkas.** Risiko sengatan listrik bertambah jika tubuh Anda terbumikan atau dibumikan.
3. **Jangan membiarkan mesin listrik kehujanan atau kebasahan.** Air yang masuk ke dalam mesin listrik akan meningkatkan risiko sengatan listrik.
4. **Jangan menyalahgunakan kabel.** Jangan sekali-kali menggunakan kabel untuk membawa, menarik, atau mencabut mesin listrik dari stopkontak. Jauhkan kabel dari panas, minyak, tepian tajam, atau bagian yang bergerak. Kabel yang rusak atau kusut memperbesar risiko sengatan listrik.
5. **Bila menggunakan mesin listrik di luar ruangan, gunakan kabel ekstensi yang sesuai untuk penggunaan di luar ruangan.** Penggunaan kabel yang sesuai untuk penggunaan luar ruangan mengurangi risiko sengatan listrik.
6. **Jika mengoperasikan mesin listrik di lokasi lembap tidak terhindarkan, gunakan pasokan daya yang dilindungi peranti imbasan arus (residual current device - RCD).** Penggunaan RCD mengurangi risiko sengatan listrik.
7. **Penggunaan pasokan daya melalui RCD dengan kapasitas arus sisa 30 mA atau kurang selalu dianjurkan.**
8. **Mesin listrik dapat menghasilkan medan magnet (EMF) yang tidak berbahaya bagi pengguna.** Namun, pengguna alat pacu jantung atau peralatan medis sejenisnya harus berkonsultasi dengan produsen peralatan tersebut dan/atau dokter mereka sebelum mengoperasikan mesin listrik ini.
9. **Jangan menyentuh colokan daya dengan tangan basah.**
10. **Jika kabel rusak, penggantian harus dilakukan oleh produsen atau agennya untuk menghindari bahaya keselamatan.**

#### **Keselamatan Diri**

1. **Jaga kewaspadaan, perhatikan pekerjaan Anda dan gunakan akal sehat bila menggunakan mesin listrik.** Jangan menggunakan mesin listrik saat Anda lelah atau di bawah pengaruh obat bius, alkohol, atau obat. Sekejap saja lalai saat menggunakan mesin listrik dapat menyebabkan cedera badan serius.
2. **Gunakan alat pelindung diri.** Selalu gunakan pelindung mata. Peralatan pelindung seperti masker debu, sepatu pengaman anti-selip, helm pengaman, atau pelindung telinga yang digunakan untuk kondisi yang sesuai akan mengurangi risiko cedera badan.
3. **Cegah penyalaan yang tidak disengaja.** Pastikan bahwa sakelar berada dalam posisi mati (off) sebelum menghubungkan mesin ke sumber daya dan/atau paket baterai, atau mengangkat atau membawanya. Membawa mesin listrik dengan jari Anda pada sakelarnya atau mengalirkan listrik pada mesin listrik yang sakelarnya hidup (on) akan mengundang kecelakaan.

4. **Lepaskan kunci-kunci penyetel sebelum menghidupkan mesin listrik.** Kunci-kunci yang masih terpasang pada bagian mesin listrik yang berputar dapat menyebabkan cedera.
5. **Jangan meraih terlalu jauh. Jagalah pijakan dan keseimbangan sepanjang waktu.** Hal ini memungkinkan kendali yang lebih baik atas mesin listrik dalam situasi yang tidak diharapkan.
6. **Kenakan pakaian yang memadai. Jangan memakai pakaian yang longgar atau perhiasan. Jaga jarak antara rambut dan pakaian Anda dengan komponen mesin yang bergerak.** Pakaian yang longgar, perhiasan, atau rambut yang panjang dapat tersangkut pada komponen yang bergerak.
7. **Jika tersedia fasilitas untuk menghisap dan mengumpulkan debu, pastikan fasilitas tersebut terhubung listrik dan digunakan dengan baik.** Penggunaan pembersih debu dapat mengurangi bahaya yang terkait dengan debu.
8. **Jangan sampai Anda lengah dan mengabaikan prinsip keselamatan mesin ini hanya karena sudah sering mengoperasikannya dan sudah merasa terbiasa.** Tindakan yang lalai dapat menyebabkan cedera berat dalam sepersekian detik saja.
9. **Selalu kenakan kacamata pelindung untuk melindungi mata dari cedera saat menggunakan mesin listrik.** Kacamata harus sesuai dengan ANSI Z87.1 di Amerika Serikat, EN 166 di Eropa, atau AS/NZS 1336 di Australia/Selandia Baru. Di Australia/Selandia Baru, secara hukum Anda juga diwajibkan mengenakan pelindung wajah untuk melindungi wajah Anda.



**Menjadi tanggung jawab atasan untuk menerapkan penggunaan alat pelindung keselamatan yang tepat bagi operator mesin dan orang lain yang berada di area kerja saat itu.**

#### **Penggunaan dan pemeliharaan mesin listrik**

1. **Jangan memaksa mesin listrik.** Gunakan mesin listrik yang tepat untuk keperluan Anda. Mesin listrik yang tepat akan menuntaskan pekerjaan dengan lebih baik dan aman pada kecepatan sesuai rancangannya.
2. **Jangan gunakan mesin listrik jika sakelar tidak dapat menyalakan dan mematikannya.** Mesin listrik yang tidak dapat dikendalikan dengan sakelarnya adalah berbahaya dan harus diperbaiki.



3. Cabut steker dari sumber listrik dan/atau lepas paket baterai, jika dapat dilepas, dari mesin listrik sebelum melakukan penyetulan apa pun, mengganti aksesoris, atau menyimpan mesin listrik. Langkah keselamatan preventif tersebut mengurangi risiko hidupnya mesin secara tak sengaja.
4. Simpan mesin listrik jauh dari jangkauan anak-anak dan jangan biarkan orang yang tidak paham mengenai mesin listrik tersebut atau petunjuk ini menggunakan mesin listrik. Mesin listrik sangat berbahaya di tangan pengguna yang tak terlatih.
5. Rawatlah mesin listrik dan aksesoris. Periksa apakah ada komponen bergerak yang tidak lurus atau macet, komponen yang pecah, dan kondisi-kondisi lain yang dapat memengaruhi pengoperasian mesin listrik. Jika rusak, perbaiki dahulu mesin listrik sebelum digunakan. Banyak kecelakaan disebabkan oleh kurangnya pemeliharaan mesin listrik.
6. Jaga agar mesin pemotong tetap tajam dan bersih. Mesin pemotong yang terawat baik dengan mata pemotong yang tajam tidak mudah macet dan lebih mudah dikendalikan.
7. Gunakan mesin listrik, aksesoris, dan mata mesin, dll. sesuai dengan petunjuk ini, dengan memperhitungkan kondisi kerja dan jenis pekerjaan yang dilakukan. Penggunaan mesin listrik untuk penggunaan yang lain dari peruntukan dapat menimbulkan situasi berbahaya.
8. Jagalah agar gagang dan permukaan pegangan tetap kering, bersih, dan bebas dari minyak dan pelumas. Gagang dan permukaan pegangan yang licin tidak mendukung keamanan penanganan dan pengendalian mesin dalam situasi-situasi tak terduga.
9. Ketika menggunakan mesin, jangan menggunakan sarung tangan kain yang dapat tersangkut. Sarung tangan kain yang tersangkut pada komponen bergerak dapat mengakibatkan cedera pada pengguna.

#### Servis

1. Berikan mesin listrik untuk diperbaiki hanya kepada oleh teknisi yang berkualifikasi dengan menggunakan hanya suku cadang pengganti yang serupa. Hal ini akan menjamin terjaganya keamanan mesin listrik.
2. Patuhi petunjuk pelumasan dan penggantian aksesoris.

### Peringatan keselamatan bor palu

#### Petunjuk keselamatan untuk semua pengoperasian

1. Kenakan pelindung telinga saat melakukan pengeboran tumbuk (impact drilling). Terpaan kebisingan dapat menyebabkan hilangnya pendengaran.
2. Gunakan gagang tambahan. Kehilangan kendali dapat menyebabkan cedera.

3. Pegang mesin pada permukaan genggam yang terisolasi saat melakukan pekerjaan bila aksesoris pemotong mungkin bersentuhan dengan kawat tersembunyi atau kabelnya sendiri. Aksesoris pemotong yang menyentuh kawat yang "aktif" dapat menyebabkan bagian logam pada mesin teraliri arus listrik "aktif" dan menyengat pengguna.
4. Selalu pastikan Anda memiliki pijakan kuat. Pastikan tidak ada orang di bawah Anda ketika menggunakan mesin di lokasi tinggi.
5. Pegang mesin kuat-kuat dengan kedua tangan.
6. Jauhkan tangan dari bagian yang berputar.
7. Jangan tinggalkan mesin dalam keadaan hidup. Jalankan mesin hanya ketika digenggam tangan.
8. Jangan menyentuh mata bor atau benda kerja segera setelah pengoperasian; suhunya mungkin masih sangat panas dan dapat membakar kulit Anda.
9. Bahan tertentu mengandung zat kimia yang mungkin beracun. Hindari menghirup debu dan persentuhan dengan kulit. Ikuti data keselamatan bahan dari pemasok.
10. Jika mata bor tidak dapat dikendurkan bahkan saat Anda membuka rahang, gunakan tang untuk menariknya keluar. Dalam kasus semacam itu, menarik mata bor dengan tangan dapat mengakibatkan cedera dikarenakan ujungnya yang tajam.

#### Petunjuk keselamatan saat menggunakan mata bor panjang

1. Jangan sekali-kali mengoperasikan dengan kecepatan yang melebihi nilai kecepatan maksimum mata bor. Pada kecepatan yang lebih tinggi, mata bor kemungkinan dapat bengkok jika dibiarkan berputar bebas tanpa menyentuh benda kerja, dan dapat mengakibatkan cedera.
2. Selalu gunakan kecepatan rendah saat mulai mengebor dan pastikan ujung mata bor menyentuh benda kerja. Pada kecepatan yang lebih tinggi, mata bor kemungkinan dapat bengkok jika dibiarkan berputar bebas tanpa menyentuh benda kerja, dan dapat mengakibatkan cedera.
3. Berikan tekanan hanya di garis langsung dengan mata bor dan jangan memberi tekanan berlebihan. Mata bor dapat bengkok dan menyebabkan kerusakan atau hilangnya kendali yang mengakibatkan cedera.

### SIMPAN PETUNJUK INI.

**⚠️ PERINGATAN:** JANGAN biarkan kenyamanan atau terbiasanya Anda dengan produk (karena penggunaan berulang) mengurangi kepatuhan yang ketat terhadap aturan keselamatan untuk produk yang terkait. PENYALAHGUNAAN atau kelalaian mematuhi kaidah keselamatan yang tertera dalam petunjuk ini dapat menyebabkan cedera badan serius.

## DESKRIPSI FUNGSI

**⚠️PERHATIAN:** Selalu pastikan bahwa mesin dalam keadaan mati dan steker tercabut sebelum menyatel atau memeriksa kerja mesin.

### Kerja sakelar

**⚠️PERINGATAN:** Sebelum memasukkan steker, pastikan picu sakelar berfungsi dengan baik dan kembali ke posisi "OFF" saat dilepas.

► **Gbr.1:** 1. Pelatuk sakelar 2. Tombol buka kunci

Untuk menjalankan mesin, cukup tarik picu saklarnya. Kecepatan mesin akan meningkat dengan menambah tekanan pada picu saklar. Lepaskan pelatuk sakelar untuk berhenti.

Untuk penggunaan terus-menerus, tarik picu saklar, tekan tombol kunci dan kemudian lepas picu saklar. Untuk membebaskan posisi terkunci, tarik picu saklar sampai penuh, lalu lepaskan.

**⚠️PERHATIAN:** Saklar bisa dikunci dalam posisi "ON" untuk memberi kenyamanan pada operator selama penggunaan terus-menerus. Selalu berhati-hati ketika mengunci mesin dalam posisi "ON" dan pegang mesin kuat-kuat.

### Kerja saklar pembalik arah

**⚠️PERHATIAN:** Selalu periksa arah putaran sebelum penggunaan.

**⚠️PERHATIAN:** Gunakan saklar pembalik arah hanya setelah mesin benar-benar berhenti. Mengubah arah putaran sebelum mesin berhenti dapat merusak mesin.

**⚠️PERHATIAN:** Jika pelatuk sakelar tidak bisa ditekan, pastikan bahwa sakelar pengganti arah diposisikan sepenuhnya ke posisi ⇐ (sisi A) atau posisi ⇒ (sisi B).

► **Gbr.2:** 1. Tuas saklar pembalik arah

Mesin ini memiliki saklar pembalik arah untuk mengubah arah putaran. Gerakkan tuas saklar pembalik arah ke posisi ⇐ (sisi A) untuk putaran searah jarum jam atau posisi ⇒ (sisi B) untuk putaran berlawanan arah jarum jam.

### Memilih mode kerja

**⚠️PERHATIAN:** Selalu geser tuas pengubah mode kerja hingga penuh ke posisi yang Anda inginkan. Jika anda memakai alat dengan tuas berada di posisi tengah antara kedua simbol mode alat bisa rusak.

► **Gbr.3:** 1. Tuas pengganti sistem kerja

Mesin ini memiliki tuas pengubah mode kerja. Untuk putaran dengan getar, geser tuas pengubah mode kerja ke kanan (simbol ⚡). Untuk putaran saja, geser tuas pengganti mode kerja ke kiri (simbol ⚙).

## PERAKITAN

**⚠️PERHATIAN:** Pastikan bahwa mesin dalam keadaan mati dan steker tercabut sebelum melakukan pekerjaan apa pun pada mesin.

### Memasang gagang sisi (pegangan tambahan)

**⚠️PERHATIAN:** Pastikan mesin dalam keadaan mati dan steker telah dicabut sebelum memasang atau melepas gagang sisi.

► **Gbr.4:** 1. Alas gagang 2. Gigi-gigi 3. Gagang sisi (pegangan tambahan) 4. Tonjolan 5. Kendurkan 6. Kencangkan

Gunakan selalu gagang sisi untuk menjamin keselamatan penggunaan. Pasang gagang sisi sedemikian rupa hingga gigi-gigi pada gagang bertemu dengan tonjolan pada silinder mesin. Lalu kencangkan gagang dengan memutar searah jarum jam ke posisi yang diinginkan. Gagang dapat diputar 360° agar dapat ditahan di posisi mana saja.

### Memasang atau melepas mata bor

**⚠️PERHATIAN:** Selalu pastikan mesin dalam keadaan mati dan steker telah dicabut, sebelum memasang atau melepas mata bor.

► **Gbr.5:** 1. Cuk bor 2. Kunci cekam

Untuk memasang mata bor, masukkan cekam bor ke dalam cekam sedalam mungkin. Kencangkan cekam dengan tangan. Masukkan kunci cekam ke dalam tiga lubang yang ada dan kencangkan searah jarum jam. Pastikan ketiga lubang cekam dikencangkan secara seragam.

Untuk melepas mata bor, putar kunci cekam bor berlawanan arah jarum jam pada satu lubang saja, lalu kendurkan cekam dengan tangan.

Setelah menggunakan kunci cekam, pastikan untuk mengembalikannya ke posisi semula.

### Pengukur kedalaman (negara tertentu)

► **Gbr.6:** 1. Gagang sisi 2. Pengukur kedalaman 3. Alas gagang 4. Baut kepala segi enam

Pengukur kedalaman sangat tepat digunakan untuk menghasilkan lubang-lubang pengeboran dengan kedalaman yang seragam. Pasang pengukur kedalaman dengan mengikuti urutan berikut ini.

1. Putar gagang sisi berlawanan arah jarum jam untuk mengendurkan baut kepala segi enam.
2. Masukkan pengukur kedalaman dan setel kedalaman lubang.
3. Putar gagang sisi searah jarum jam sehingga pengukur kedalaman dan alas gagang benar-benar terpasang erat pada mesin.



**CATATAN:** Pengukur kedalaman tidak bisa digunakan bila posisinya berlawanan dengan badan mesin.


## PENGUNAAN

**⚠PERHATIAN:** Selalu gunakan gagang sisi (pegangan tambahan) dan pegang mesin kuat-kuat pada kedua gagang sisi dan pegangan saklar selama penggunaan.

▶ Gbr.7

### Cara pengoperasian bor getar

**⚠PERHATIAN:** Akan timbul gaya yang sangat kuat dan tiba-tiba pada mesin/mata mesin saat menembus lubang, bila lubang dipenuhi geram-geram atau partikel, atau bila menabrak besi-besi tulangan yang terpasang di dalam beton. **Selalu gunakan gagang sisi (pegangan tambahan) dan pegang mesin kuat-kuat pada kedua gagang sisi dan pegangan saklar selama penggunaan.** Kelalaian dalam melakukannya dapat menyebabkan kehilangan kendali pada mesin dan berpotensi mengakibatkan cedera berat.

Saat mengebor beton, granit, ubin, dll., geser tuas pengubah mode kerja ke posisi bersimbol  untuk "gerakan putar dengan getaran". Pastikan Anda menggunakan mata bor berujung tungsten-carbide. Jangan menambah tekanan bila lubang dipenuhi geram-geram atau partikel. Tetapi, nyalakan mesin tanpa putaran, lalu angkat mata bor sedikit dari lubang. Dengan mengulanginya beberapa kali, lubang akan bersih.

Setelah mengebor lubang, gunakan pengembus angin untuk membersihkan lubang dari debu.


### Pekerjaan pengeboran

**⚠PERHATIAN:** Menekan mesin secara berlebihan tidak akan mempercepat pengeboran. Bahkan, tekanan yang berlebihan hanya akan merusak mata bor Anda, mengurangi kinerja mesin dan memperpendek usia pakai mesin.

**⚠PERHATIAN:** Pegang mesin dengan kuat dan berhati-hatilah saat mata bor menembus benda kerja. Akan timbul gaya yang sangat kuat pada mesin/mata bor saat menembus lubang.

**⚠PERHATIAN:** Mata bor yang macet dapat dicabut dengan menyetel saklar pembalik arah agar mesin berputar berlawanan arah untuk mundur. Tetapi, mesin bisa saja mundur mendadak jika Anda tidak memegangnya dengan kuat.

**⚠PERHATIAN:** Selalu kencangkan benda kerja menggunakan ragum atau perangkat penahan yang serupa.

Bila mengebor bahan kayu, logam atau plastik, geser tuas pengubah mode kerja ke posisi bersimbol  untuk menggunakan hanya "putaran saja".

### Mengebor kayu

Ketika mengebor kayu, hasil terbaik didapat dengan mata bor kayu yang dilengkapi sekrup pemandu. Sekrup pemandu mempermudah pengeboran dengan menarik mata bor ke dalam benda kerja.

### Mengebor logam

Untuk mencegah mata bor selip ketika mulai membuat lubang, buatlah takik dengan penitik lalu palu pada titik yang akan dibor. Letakkan ujung mata bor pada takik dan mulailah mengebor.

Gunakan cairan pendingin saat mengebor logam. Pengecualian untuk besi dan kuningan yang harus dibor kering.

## PERAWATAN

**⚠PERHATIAN:** Selalu pastikan bahwa mesin dimatikan dan steker dicabut sebelum melakukan pemeriksaan atau perawatan.

**PEMBERITAHUAN:** Jangan sekali-kali menggunakan bensin, tiner, alkohol, atau bahan sejenisnya. Penggunaan bahan demikian dapat menyebabkan perubahan warna, perubahan bentuk atau timbulnya retakan.

Untuk menjaga KEAMANAN dan KEANDALAN mesin, perbaikan, pemeriksaan dan penggantian sikat karbon, serta perawatan atau penyetulan lain harus dilakukan oleh Pusat Layanan Resmi atau Pabrik Makita, selalu gunakan suku cadang pengganti buatan Makita.

## SPEKIFIKASI

Model:		M0800	M0801
Kapasiti	Konkrit	10 mm	16 mm
	Keluli	10 mm	13 mm
	Kayu	20 mm	
Kelajuan tanpa beban		0 - 3,200 min <sup>-1</sup>	
Pukulan seminit		0 - 48,000 min <sup>-1</sup>	
Panjang keseluruhan		254 mm	261 mm
Berat bersih		1.6 kg	1.7 kg
Kelas keselamatan		□/II	

- Disebabkan program penyelidikan dan pembangunan kami yang berterusan, spesifikasi yang terkandung di dalam ini adalah tertakluk kepada perubahan tanpa notis.
- Spesifikasi mungkin berbeza mengikut negara.
- Berat mengikut Prosedur EPTA 01/2014

### Simbol

Berikut menunjukkan simbol-simbol yang boleh digunakan untuk alat ini. Pastikan anda memahami maksudnya sebelum menggunakan.



Baca manual arahan.



PENEBATAN BERGANDA



Hanya untuk negara-negara Kesatuan Eropah  
 Jangan buang peralatan elektrik bersama bahan sisa rumah! Dalam mematuhi Arahan Eropah mengenai Sisa Peralatan Elektrik dan Elektronik serta pelaksanaannya mengikut undang-undang negara, peralatan elektrik yang telah mencapai akhir hayatnya mesti dikumpul secara berasingan dan dikembalikan ke kemudahan kitar semula yang bersesuaian dengan alam sekitar.

### Tujuan penggunaan

Alat ini bertujuan untuk penggerudian hentaman dalam bata, konkrit dan batu serta untuk penggerudian tanpa hentaman pada kayu, logam, seramik dan plastik.

### Bekalan kuasa

Alat ini perlu disambungkan hanya kepada bekalan kuasa dengan voltan yang sama seperti yang ditunjukkan pada papan nama, dan hanya boleh dikendalikan pada bekalan AC fasa tunggal. Ia mempunyai penebatan berganda dan oleh itu, ia juga boleh digunakan pada soket tanpa wayar bumi.

### Amaran keselamatan umum alat kuasa

**⚠️ AMARAN:** Baca semua amaran keselamatan, arahan, ilustrasi dan spesifikasi yang disediakan dengan alat kuasa ini. Kegagalan mengikut semua arahan yang disenaraikan di bawah boleh menyebabkan kejutan elektrik, kebakaran dan/atau kecederaan serius.

### Simpan semua amaran dan arahan untuk rujukan masa depan.

Istilah "alat kuasa" dalam amaran merujuk kepada alat kuasa yang menggunakan tenaga elektrik (dengan kord) atau alat kuasa yang menggunakan bateri (tanpa kord).

#### Keselamatan kawasan kerja

1. **Pastikan kawasan kerja bersih dan diterangi dengan baik.** Kawasan berselerak atau gelap mengundang kemalangan.
2. **Jangan kendalikan alat kuasa dalam keadaan yang mudah meletup, seperti dalam kehadiran cecair, gas atau habuk yang mudah terbakar.** Alat kuasa menghasilkan percikan api yang boleh menyalakan debu atau wasap.
3. **Jauhkan kanak-kanak dan orang ramai semasa mengendalikan alat kuasa.** Gangguan boleh menyebabkan anda hilang kawalan.

#### Keselamatan elektrik

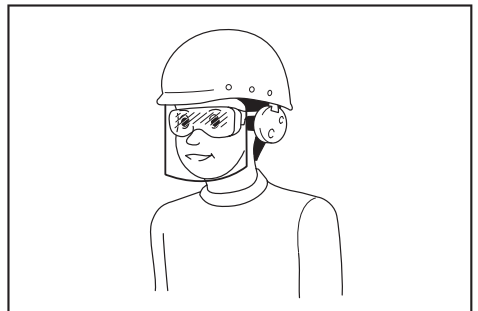
1. **Palam alat kuasa mesti sepadan dengan soket. Jangan ubah suai palam dalam apa cara sekalipun. Jangan gunakan sebarang palam penyesuai dengan alat kuasa terbumi.** Palam yang tidak diubah suai dan soket yang sepadan akan mengurangkan risiko kejutan elektrik.

2. **Elakkan sentuhan badan dengan permukaan terbumi, seperti paip, radiator, dapur dan peti sejuk.** Terdapat peningkatan risiko kejutan elektrik jika elektrik terbumi terkena badan anda.
3. **Jangan biarkan alat kuasa terkena hujan atau basah.** Air yang memasuki alat kuasa akan meningkatkan risiko kejutan elektrik.
4. **Jangan salah gunakan kord.** Jangan gunakan kord untuk membawa, menarik atau mencabut palam alat kuasa. Jauhkan kord dari haba, minyak, bucu tajam atau bahagian yang bergerak. Kord yang rosak atau tersimpul meningkatkan risiko kejutan elektrik.
5. **Semasa mengendalikan alat kuasa di luar, gunakan kord sambungan yang bersesuaian untuk kegunaan luar.** Penggunaan kord yang sesuai untuk kegunaan luar mengurangkan risiko kejutan elektrik.
6. **Sekiranya pengendalian alat kuasa di lokasi lembap tidak dapat dielakkan, gunakan bekalan peranti arus sisa (RCD) yang dilindungi.** Penggunaan RCD mengurangkan risiko kejutan elektrik.
7. **Penggunaan bekalan kuasa melalui RCD dengan arus sisa yang bernilai 30 mA atau kurang sentiasa disyorkan.**
8. **Alat kuasa boleh menghasilkan medan elektromagnetik (EMF) yang tidak berbahaya kepada pengguna.** Walau bagaimanapun, pengguna perentak jantung atau peranti perubatan yang serupa harus menghubungi pembuat peranti mereka dan/atau doktor untuk nasihat sebelum mengendalikan alat kuasa ini.
9. **Jangan sentuh palam kuasa dengan tangan yang basah.**
10. **Jika kord rosak, minta ia diganti oleh pengilang atau ejennya bagi mengelakkan bahaya keselamatan.**

#### Keselamatan diri

1. **Sentiasa berwaspada, perhatikan apa yang anda lakukan dan guna akal budi semasa mengendalikan alat kuasa.** Jangan gunakan alat kuasa semasa anda letih atau di bawah pengaruh dadah, alkohol atau ubat. Kelekaan seketika semasa mengendalikan alat kuasa boleh menyebabkan kecederaan diri yang serius.
2. **Gunakan peralatan pelindung diri.** Sentiasa pakai pelindung mata. Peralatan pelindung seperti topeng debu, kasut keselamatan tak mudah tergelincir, topi keselamatan atau pelindung pendengaran yang digunakan untuk keadaan yang sesuai akan mengurangkan kecederaan diri.
3. **Elakkan permulaan yang tidak disengajakan.** Pastikan suis ditutup sebelum menyambung kepada sumber kuasa dan/atau pek bateri, semasa mengangkat atau membawa alat. Membawa alat kuasa dengan jari anda pada suis atau menahan alat kuasa dengan suis pada kedudukan hidup mengundang kemalangan.
4. **Alihkan sebarang kunci atau sepana pelaras sebelum menghidupkan alat kuasa.** Sepana atau kunci yang ditinggalkan pada bahagian berputar alat kuasa boleh menyebabkan kecederaan diri.

5. **Jangan lampau jangkau.** Jaga pijakan dan keseimbangan yang betul pada setiap masa. Ini membolehkan kawalan alat kuasa yang lebih baik dalam situasi yang tidak dijangka.
6. **Berpakaian dengan betul.** Jangan pakai pakaian yang longgar atau barang kemas. Jauhkan rambut dan pakaian anda dari bahagian yang bergerak. Pakaian longgar, barang kemas atau rambut yang panjang boleh terperangkap dalam bahagian yang bergerak.
7. **Jika peranti disediakan untuk sambungan kemudahan pengekstrakan dan pengumpulan habuk, pastikan ia disambung dan digunakan dengan betul.** Penggunaan pengumpulan habuk boleh mengurangkan bahaya berkaitan habuk.
8. **Jangan biarkan kebiasaan daripada kekerapan penggunaan alat membuatkan anda berpuas hati dan mengabaikan prinsip keselamatan alat.** Kecuaian boleh menyebabkan kecederaan serius dalam sekelip mata.
9. **Sentiasa pakai kaca mata pelindung untuk melindungi mata anda daripada kecederaan apabila menggunakan alat kuasa.** Kaca mata mestilah mematuhi ANSI Z87.1 di AS, EN 166 di Eropah, atau AS/NZS 1336 di Australia/New Zealand. Di Australia/New Zealand, undang-undang mengarahkan untuk memakai pelindung muka bagi melindungi muka anda, juga.



**Menjadi tanggungjawab majikan untuk menguatkuasa penggunaan peralatan perlindungan keselamatan yang bersesuaian oleh pengendali alat dan oleh orang lain dalam kawasan bekerja semasa.**

#### Penggunaan dan penjagaan alat kuasa

1. **Jangan gunakan alat kuasa dengan kasar.** Gunakan alat kuasa yang betul untuk penggunaan anda. Alat kuasa yang betul akan melakukan tugas dengan lebih baik dan lebih selamat pada kadar mana ia direka cipta.
2. **Jangan gunakan alat kuasa jika suis tidak berfungsi untuk menghidupkan dan mematikkannya.** Alat kuasa yang tidak dapat dikawal dengan suis adalah berbahaya dan mesti dibaiki.

3. **Cabut palam dari sumber kuasa dan/atau keluarkan pek bateri, jika boleh ditanggalkan, dari alat kuasa sebelum membuat sebarang pelarasan, menukar aksesori, atau menyimpan alat kuasa.** Langkah-langkah keselamatan pencegahan sedemikian mengurangkan risiko memulakan alat kuasa secara tidak sengaja.
  4. **Simpan alat kuasa yang tidak digunakan jauh dari jangkauan kanak-kanak dan jangan biarkan orang yang tidak biasa dengan alat kuasa atau arahan ini untuk mengendalikan alat kuasa.** Alat kuasa adalah berbahaya di tangan pengguna yang tidak terlatih.
  5. **Menyelenggara alat kuasa dan aksesori.** Periksa salah jajaran atau ikatan pada bahagian yang bergerak, bahagian yang pecah dan apa-apa keadaan lain yang boleh menjejaskan operasi alat kuasa. Jika rosak, baik alat kuasa sebelum digunakan. Kebanyakan kemalangan adalah disebabkan oleh alat kuasa yang tidak dijaga dengan baik.
  6. **Pastikan alat pemotong tajam dan bersih.** Alat pemotong yang dijaga dengan betul dengan hujung pemotong yang tajam mempunyai kemungkinan yang rendah untuk terikat dan lebih mudah dikendalikan.
  7. **Gunakan alat kuasa, aksesori dan alat bit dan sebagainya mengikut arahan ini dengan mengambil kira keadaan kerja dan kerja yang perlu dilakukan.** Penggunaan alat kuasa untuk operasi yang berbeza dari yang dimaksudkan boleh menyebabkan keadaan berbahaya.
  8. **Pastikan pemegang dan permukaan pegangan kering, bersih dan bebas dari minyak dan gris.** Pemegang dan permukaan pegangan yang licin tidak membolehkan pengendalian dan kawalan selamat bagi alat dalam situasi yang tidak dijangka.
  9. **Apabila menggunakan alat, jangan pakai sarung tangan kerja kain yang mungkin boleh kusut.** Kekusutan sarung tangan kerja kain pada bahagian yang bergerak boleh menyebabkan kecederaan diri.
3. **Pegang alat kuasa pada permukaan mencengkam terlewat apabila melakukan operasi yang aksesori pemotong mungkin tersentuh wayar tersembunyi atau kordnya sendiri.** Aksesori pemotong yang bersentuh dengan wayar "hidup" boleh menyebabkan bahagian logam terdedah alat kuasa "hidup" dan boleh memberi kejutan elektrik kepada pengendali.
  4. **Sentiasa pastikan anda mempunyai tapak berpijak yang kukuh.** Pastikan tiada siapa di bawah apabila menggunakan alat di lokasi yang tinggi.
  5. **Pegang alat dengan kuat menggunakan kedua-dua tangan.**
  6. **Jauhkan tangan daripada bahagian berpusing.**
  7. **Jangan tinggalkan alat yang sedang beroperasi.** Kendalikan alat hanya apabila dipegang.
  8. **Jangan sentuh mata gerudi atau bahan kerja dengan serta-merta selepas operasi; ia mungkin panas dan boleh melecurkan kulit anda.**
  9. **Beberapa bahan mengandungi bahan kimia yang mungkin toksik.** Sila berhati-hati untuk mencegah penyedutan habuk dan sentuhan kulit. Ikut data keselamatan pembekal bahan.
  10. **Jika mata gerudi tidak boleh dilonggarkan walaupun anda buka rahang, gunakan pelayar untuk menariknya.** Dalam kes seperti itu, tarik keluar mata gerudi menggunakan tangan mungkin menyebabkan kecederaan oleh sisi tajamnya.

#### **Arahan keselamatan apabila menggunakan mata gerudi panjang**

1. **Jangan kendalikan pada kelajuan yang lebih tinggi daripada kadar kelajuan maksimum mata gerudi.** Pada kelajuan yang lebih tinggi, mata gerudi mungkin bengkok jika dibenarkan untuk berputar dengan bebas tanpa bersentuhan dengan bahan kerja menyebabkan kecederaan peribadi.
2. **Sentiasa mula menggerudi pada kelajuan rendah dan dengan hujung mata gerudi bersentuhan dengan bahan kerja.** Pada kelajuan yang lebih tinggi, mata gerudi mungkin bengkok jika dibenarkan untuk berputar dengan bebas tanpa bersentuhan dengan bahan kerja menyebabkan kecederaan peribadi.
3. **Gunakan tekanan hanya pada garisan langsung dengan mata gerudi dan jangan gunakan tekanan berlebihan.** Mata gerudi boleh bengkok menyebabkan kerosakan atau hilang kawalan, menyebabkan kecederaan diri.

#### **Servis**

1. **Pastikan alat kuasa anda diservis oleh orang yang berkelayakan dengan hanya menggunakan alat ganti yang sama.** Ini akan memastikan keselamatan alat kuasa dapat dikekalkan.
2. **Ikut arahan untuk melincir dan menukar aksesori.**

### **Amaran keselamatan gerudi tukul**

#### **Arahan keselamatan bagi semua operasi**

1. **Pakai pelindung telinga semasa penggerudian hentaman.** Pendedahan kepada bunyi bising boleh menyebabkan kehilangan pendengaran.
2. **Gunakan pemegang tambahan.** Hilang kawalan boleh menyebabkan kecederaan diri.

### **SIMPAN ARAHAN INI.**

**⚠️AMARAN:** JANGAN biarkan keselesaan atau kebiasaan dengan produk (daripada penggunaan berulang) menggantikan perhatian ketat terhadap peraturan keselamatan untuk produk yang ditetapkan. SALAH GUNA atau kegagalan mematuhi peraturan-peraturan keselamatan yang dinyatakan dalam manual arahan ini boleh menyebabkan kecederaan diri yang serius.

## KETERANGAN FUNGSI

**⚠ PERHATIAN:** Sentiasa pastikan alat dimatikan dan dicabut sebelum menyelaraskan atau menyemak fungsi pada alat.

### Tindakan suis

**⚠ AMARAN:** Sebelum memasang alat, sentiasa periksa untuk melihat pemicu suis bergerak dengan betul dan kembali ke posisi "OFF" apabila dilepaskan.

► **Rajah1:** 1. Pemicu suis 2. Butang kunci

Untuk memulakan alat, hanya tarik pemicu suis. Kelajuan alat ditingkatkan dengan menambah tekanan pada pemicu suis. Lepaskan pemicu suis untuk berhenti.

Untuk operasi berterusan, tarik pemicu suis, tekan butang kunci dan kemudian lepaskan pemicu suis. Untuk menghentikan alat dari kedudukan terkunci, tarik pemicu suis sepenuhnya, kemudian lepaskan.

**⚠ PERHATIAN:** Suis boleh dikunci dalam kedudukan "ON" untuk memudahkan keselesaan pengendali semasa penggunaan berpanjangan. Berhati-hati semasa mengunci alat dalam kedudukan "ON" dan kekalkan genggaman yang kukuh pada alat.

### Tindakan suis pembalik

**⚠ PERHATIAN:** Sentiasa periksa arah putaran sebelum operasi.

**⚠ PERHATIAN:** Gunakan suis pembalik hanya selepas alat berhenti sepenuhnya. Menukar arah putaran sebelum alat berhenti boleh merosakkan alat.

**⚠ PERHATIAN:** Jika pemicu suis tidak boleh ditekan, periksa untuk melihat yang suis pembalik telah ditetapkan sepenuhnya ke kedudukan ⇐ (sisi A) atau kedudukan ⇒ (sisi B).

► **Rajah2:** 1. Tuil suis pembalik

Alat ini mempunyai suis pembalik untuk mengubah arah putaran. Ubah tuil suis pembalik ke kedudukan ⇐ (sisi A) untuk putaran arah jam atau pada kedudukan ⇒ (sisi B) untuk putaran arah lawan jam.

### Memilih mod tindakan

**⚠ PERHATIAN:** Sentiasa luruskan sepenuhnya tuil penukar mod tindakan pada kedudukan mod yang anda kehendaki. Jika anda kendalikan alat dengan tuil diletakkan separa di antara simbol mod, alat mungkin rosak.

► **Rajah3:** 1. Tuil penukar mod tindakan

Alat ini mempunyai tuil penukar mod tindakan. Untuk putaran dengan menukul, luruskan tuil penukar mod tindakan ke kanan (simbol ↗). Untuk putaran sahaja, luruskan tuil penukar mod tindakan ke kiri (simbol ↖).

## PEMASANGAN

**⚠ PERHATIAN:** Sentiasa pastikan alat dimatikan dan palamnya dicabut sebelum menjalankan apa-apa kerja pada alat.

### Memasang genggaman sisi (pemegang tambahan)

**⚠ PERHATIAN:** Sentiasa pastikan alat dimatikan dan palamnya dicabut sebelum memasang atau mengeluarkan genggaman sisi.

► **Rajah4:** 1. Tapak genggaman 2. Gigi 3. Genggaman sisi (pemegang tambahan) 4. Tonjolan 5. Longgarkan 6. Ketatkan

Sentiasa gunakan genggaman sisi untuk memastikan keselamatan operasi. Pasang genggaman sisi supaya gigi pada genggaman sesuai di antara tonjol pada tong alat. Kemudian ketatkan genggaman dengan putaran arah jam pada kedudukan yang dikehendaki. Ia mungkin berayun 360° supaya dapat dipasang dengan teguh pada mana-mana kedudukan.

### Memasang atau menanggalkan bit gerudi

**⚠ PERHATIAN:** Sentiasa pastikan alat dimatikan dan palamnya dicabut sebelum memasang atau mengeluarkan bit gerudi.

► **Rajah5:** 1. Cuk gerudi 2. Kekunci cuk

Untuk memasang bit gerudi, letakkannya di dalam cuk gerudi setakat ia boleh dimasukkan. Ketatkan cuk menggunakan tangan. Letakkan kekunci cuk dalam setiap tiga lubang dan ketatkan mengikut arah jam. Pastikan untuk mengetatkan kesemua tiga lubang cuk sama rata.

Untuk mengeluarkan bit gerudi, putar kekunci cuk pada arah lawan jam pada hanya satu lubang, kemudian longgarkan cuk dengan tangan.

Selepas menggunakan kekunci cuk, pastikan untuk mengembalikan ia ke kedudukan asal.

### Tolok kedalaman (khusus negara)

► **Rajah6:** 1. Genggaman sisi 2. Tolok kedalaman 3. Tapak genggaman 4. Bolt heksagon

Tolok kedalaman dapat memudahkan penggerudian lubang pada kedalaman yang seragam. Pasang tolok kedalaman mengikut turutan berikut.

1. Pusingkan genggaman sisi arah lawan jam untuk melonggarkan bolt heksagon.
2. Masukkan tolok kedalaman dan sesuaikan kedalaman lubang.
3. Pusingkan genggaman sisi mengikut arah jam supaya tolok kedalaman dan tapak genggaman terpasang pada alat sepenuhnya.

**NOTA:** Tolok kedalaman tidak boleh digunakan pada kedudukan yang tolok kedalaman melanggar badan alat.


## OPERASI

**⚠️ PERHATIAN:** Sentiasa gunakan genggaman sisi (pemegang tambahan) dan pegang alat dengan kukuh pada kedua-dua genggaman sisi dan pemegang suis semasa operasi.

▶ Rajah7

## Operasi penggerudian tukul

**⚠️ PERHATIAN:** Terdapat kekuatan putaran yang hebat dan pantas pada alat/bit gerudi semasa lubang dibolosi, apabila lubang tersumbat dengan serpihan dan debu, atau apabila terkena batang rod penguat yang terbenam dalam konkrit. Sentiasa gunakan genggaman sisi (pemegang tambahan) dan pegang alat dengan kukuh pada kedua-dua genggaman sisi dan pemegang suis semasa operasi. Kegagalan berbuat demikian boleh mengakibatkan hilang kawalan pada alat dan kecederaan yang teruk.

Semasa menggerudi ke dalam konkrit, granit, jubin dan sebagainya, luncurkan tuil penukar mod tindakan ke kedudukan simbol  untuk menggunakan tindakan “putaran dengan menukul”. Pastikan untuk menggunakan bit gerudi hujung tungsten karbida. Jangan beri lebih tekanan apabila lubang tersumbat dengan serpihan atau debu. Sebaliknya, gunakan alat tersebut pada keadaan melahu, kemudian keluarkan sebahagian bit gerudi dari lubang. Dengan mengulangi ini beberapa kali, lubang itu akan dibersihkan. Selepas menggerudi lubang, gunakan bebuli hembus keluar untuk membersihkan habuk keluar daripada lubang.


## Operasi gerudi

**⚠️ PERHATIAN:** Menekan alat secara berlebihan tidak akan mempercepatkan penggerudian. Malah, tekanan yang berlebihan ini hanya akan merosakkan hujung bit gerudi anda, mengurangkan prestasi alat dan memendekkan tempoh hayat perkhidmatan alat.

**⚠️ PERHATIAN:** Pegang alat dengan kukuh dan beri perhatian apabila bit gerudi mula memecahkan bahan kerja. Terdapat kekuatan besar yang dikenakan pada alat/bit gerudi pada masa lubang dibolosi.

**⚠️ PERHATIAN:** Bit gerudi yang tersangkut boleh dialih keluar hanya dengan menetapkan suis pemalik kepada putaran terbalik supaya ia dapat dialih keluar. Walau bagaimanapun, alat mungkin terkeluar secara tiba-tiba jika anda tidak memegangnya dengan kukuh.

**⚠️ PERHATIAN:** Sentiasa selamatkan bahan kerja menggunakan peranti penekan atau peranti yang serupa.

Semasa menggerudi ke dalam kayu, logam atau bahan plastik, luncurkan tuil penukar mod tindakan kepada kedudukan simbol  untuk menggunakan tindakan “putaran sahaja”.

## Menggerudi ke kayu

Apabila menggerudi kayu, hasil terbaik boleh didapati dengan gerudi kayu yang dilengkapi dengan skru panduan. Skru panduan menjadikan penggerudian lebih mudah dengan menarik mata gerudi ke dalam bahan kerja.

## Menggerudi ke besi

Untuk menghalang mata gerudi daripada tergelincir apabila memulakan lubang, buat lekukan dengan pukulan tengah dan ketuk pada titik untuk digerudi. Letakkan hujung bit gerudi di lekukan dan mula menggerudi. Gunakan cecair pemotong apabila menggerudi besi. Pengecualian adalah besi dan tembaga yang mesti digerudi kering.

## PENYELENGGARAAN

**⚠️ PERHATIAN:** Sentiasa pastikan alat dimatikan dan palamnya dicabut sebelum cuba menjalankan pemeriksaan atau penyelenggaraan.

**NOTIS:** Jangan gunakan petrol, benzin, pencair, alkohol atau bahan yang serupa. Ia boleh menyebabkan perubahan warna, bentuk atau keretakan.

Untuk mengekalkan KESELAMATAN dan KEBOLEHPERCAYAAN produk, pembaikan, pemeriksaan dan penggantian berus karbon, apa-apa penyelenggaraan atau penyesuaian lain perlu dilakukan oleh Kilang atau Pusat Servis Makita yang Diiktiraf, sentiasa gunakan alat ganti Makita.

## THÔNG SỐ KỸ THUẬT

Kiểu máy:		M0800	M0801
Công suất	Bê-tông	10 mm	16 mm
	Thép	10 mm	13 mm
	Gỗ	20 mm	
Tốc độ không tải		0 - 3.200 min <sup>-1</sup>	
Số nhát mỗi phút		0 - 48.000 min <sup>-1</sup>	
Chiều dài tổng thể		254 mm	261 mm
Khối lượng tịnh		1,6 kg	1,7 kg
Cấp an toàn		□/II	

- Do chương trình nghiên cứu và phát triển liên tục của chúng tôi nên các thông số kỹ thuật trong đây có thể thay đổi mà không cần thông báo trước.
- Các thông số kỹ thuật có thể thay đổi tùy theo từng quốc gia.
- Khối lượng tùy theo Quy trình EPTA tháng 01/2014

### Ký hiệu

Phần dưới đây cho biết các ký hiệu có thể được dùng cho thiết bị. Đảm bảo rằng bạn hiểu rõ ý nghĩa của các ký hiệu này trước khi sử dụng.



Đọc tài liệu hướng dẫn.



CÁCH ĐIỆN CẤP 2



Chỉ dành cho các quốc gia EU  
Không tháo bỏ thiết bị điện cùng với các chất thải sinh hoạt! Để tuân thủ Chỉ thị của Châu Âu về thiết bị điện và điện tử thải bỏ, và thi hành những chỉ thị này phù hợp với luật lệ quốc gia, thiết bị điện tử không còn sử dụng được nữa phải được thu nhặt riêng và đưa trở lại một cơ sở tái chế tương thích với môi trường.

### Mục đích sử dụng

Dụng cụ này được dùng cho công tác khoan đóng vào gạch, bê tông và đá cũng như dùng cho việc khoan không va đập vào gỗ, kim loại, gốm và nhựa.

### Nguồn cấp điện

Dụng cụ này chỉ được nối với nguồn cấp điện có điện áp giống như đã chỉ ra trên biển tên và chỉ có thể được vận hành trên nguồn điện AC đơn pha. Chúng được cách điện hai lớp và do đó cũng có thể được sử dụng từ các ổ cắm điện không có dây tiếp đất.

### Cảnh báo an toàn chung dành cho dụng cụ máy

**⚠ CẢNH BÁO:** Xin đọc tất cả các cảnh báo an toàn, hướng dẫn, minh họa và thông số kỹ thuật đi kèm với dụng cụ máy này. Việc không tuân theo các hướng dẫn được liệt kê dưới đây có thể dẫn đến điện giật, hỏa hoạn và/hoặc thương tích nghiêm trọng.

### Lưu giữ tất cả cảnh báo và hướng dẫn để tham khảo sau này.

Thuật ngữ "dụng cụ máy" trong các cảnh báo đề cập đến dụng cụ máy (có dây) được vận hành bằng nguồn điện chính hoặc dụng cụ máy (không dây) được vận hành bằng pin của bạn.

#### An toàn tại nơi làm việc

1. **Giữ nơi làm việc sạch sẽ và có đủ ánh sáng.**  
Nơi làm việc bừa bộn hoặc tối thường dễ gây ra tai nạn.
2. **Không vận hành dụng cụ máy trong môi trường cháy nổ, ví dụ như môi trường có sự hiện diện của các chất lỏng, khí hoặc bụi dễ cháy.** Các dụng cụ máy tạo tia lửa điện có thể làm bụi hoặc khí bốc cháy.
3. **Giữ trẻ em và người ngoài tránh xa nơi làm việc khi đang vận hành dụng cụ máy.** Sự xao lãng có thể khiến bạn mất khả năng kiểm soát.

#### An toàn về Điện

1. **Phích cắm của dụng cụ máy phải khớp với ổ cắm.** Không được sửa đổi phích cắm theo bất kỳ cách nào. Không sử dụng bất kỳ phích chuyển đổi nào với các dụng cụ máy được nối đất (tiếp đất). Các phích cắm còn nguyên vẹn và ổ cắm phù hợp sẽ giảm nguy cơ điện giật.

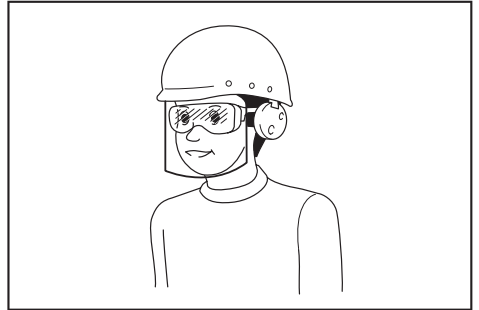


2. **Tránh để cơ thể tiếp xúc với các bề mặt nổi đất hoặc tiếp đất như đường ống, bộ tản nhiệt, bể ga và tủ lạnh.** Nguy cơ bị điện giật sẽ tăng lên nếu cơ thể bạn được nối đất hoặc tiếp đất.
3. **Không để dụng cụ máy tiếp xúc với mưa hoặc trong điều kiện ẩm ướt.** Nước lọt vào dụng cụ máy sẽ làm tăng nguy cơ điện giật.
4. **Không lạm dụng dây điện. Không được phép sử dụng dây để mang, kéo hoặc tháo phích cắm dụng cụ máy. Giữ dây tránh xa nguồn nhiệt, dầu, các mép sắc hoặc các bộ phận chuyển động.** Dây bị hỏng hoặc bị rối sẽ làm tăng nguy cơ điện giật.
5. **Khi vận hành dụng cụ máy ngoài trời, hãy sử dụng dây kéo dài phù hợp cho việc sử dụng ngoài trời.** Việc dùng dây phù hợp cho việc sử dụng ngoài trời sẽ giảm nguy cơ điện giật.
6. **Nếu bắt buộc phải vận hành dụng cụ máy ở nơi ẩm ướt, hãy sử dụng nguồn cấp điện được bảo vệ bằng thiết bị ngắt dòng điện rò (RCD).** Việc sử dụng RCD sẽ làm giảm nguy cơ điện giật.
7. **Chúng tôi luôn khuyến bạn sử dụng nguồn cấp điện qua thiết bị RCD có thể ngắt dòng điện rò định mức 30 mA hoặc thấp hơn.**
8. **Các dụng cụ máy có thể tạo ra từ trường điện (EMF) có hại cho người dùng.** Tuy nhiên, người dùng máy trợ tim và những thiết bị y tế tương tự khác nên liên hệ với nhà sản xuất thiết bị và/hoặc bác sỹ để được tư vấn trước khi vận hành dụng cụ này.
9. **Không chạm vào đầu cắm điện bằng tay ướt.**
10. **Nếu dây bị hỏng, hãy nhờ nhà sản xuất hoặc đại lý thay dây mới để tránh nguy hiểm về an toàn.**

#### An toàn Cá nhân

1. **Luôn tỉnh táo, quan sát những việc bạn đang làm và sử dụng những phán đoán theo kinh nghiệm khi vận hành dụng cụ máy. Không sử dụng dụng cụ máy khi bạn đang mệt mỏi hoặc chịu ảnh hưởng của ma túy, rượu hay thuốc.** Chỉ một khoảnh khắc không tập trung khi đang vận hành dụng cụ máy cũng có thể dẫn đến thương tích cá nhân nghiêm trọng.
2. **Sử dụng thiết bị bảo hộ cá nhân. Luôn đeo thiết bị bảo vệ mắt.** Các thiết bị bảo hộ như mặt nạ chống bụi, giày an toàn chống trượt, mũ bảo hộ hay thiết bị bảo vệ thính giác được sử dụng trong các điều kiện thích hợp sẽ giúp giảm thương tích cá nhân.
3. **Tránh vô tình khởi động dụng cụ máy. Đảm bảo công tắc ở vị trí off (tắt) trước khi nối nguồn điện và/hoặc bộ pin, cắm hoặc di chuyển dụng cụ máy.** Việc di chuyển dụng cụ máy khi đang đặt ngón tay ở vị trí công tắc hoặc cấp điện cho dụng cụ máy đang bật thường dễ gây ra tai nạn.
4. **Tháo tất cả các khóa hoặc cờ lê điều chỉnh trước khi bật dụng cụ máy.** Việc cờ lê hoặc khóa vẫn còn gắn vào bộ phận quay của dụng cụ máy có thể dẫn đến thương tích cá nhân.
5. **Không với quá cao. Luôn giữ thăng bằng tốt và có chỗ để chân phù hợp.** Điều này cho phép điều khiển dụng cụ máy tốt hơn trong những tình huống bất ngờ.

6. **Ăn mặc phù hợp. Không mặc quần áo rộng hay đeo đồ trang sức. Giữ tóc và quần áo tránh xa các bộ phận chuyển động.** Quần áo rộng, đồ trang sức hay tóc dài có thể mắc vào các bộ phận chuyển động.
7. **Nếu các thiết bị được cung cấp để kết nối các thiết bị thu gom và hút bụi, hãy đảm bảo chúng được kết nối và sử dụng hợp lý.** Việc sử dụng thiết bị thu gom bụi có thể làm giảm những mối nguy hiểm liên quan đến bụi.
8. **Không vì quen thuộc do thường xuyên sử dụng các dụng cụ mà cho phép bạn trở nên tự mãn và bỏ qua các nguyên tắc an toàn dụng cụ.** Một hành động bất cẩn có thể gây ra thương tích nghiêm trọng trong một phần của một giây.
9. **Luôn luôn mang kính bảo hộ để bảo vệ mắt khỏi bị thương khi đang sử dụng các dụng cụ máy. Kính bảo hộ phải tuân thủ ANSI Z87.1 ở Mỹ, EN 166 ở Châu Âu, hoặc AS/NZS 1336 ở Úc/New Zealand. Tại Úc/New Zealand, theo luật pháp, bạn cũng phải mang mặt nạ che mặt để bảo vệ mặt.**



Trách nhiệm của chủ lao động là bắt buộc người vận hành dụng cụ và những người khác trong khu vực làm việc cạnh đó phải sử dụng các thiết bị bảo hộ an toàn thích hợp.

#### Sử dụng và bảo quản dụng cụ máy

1. **Không dùng lực đối với dụng cụ máy. Sử dụng đúng dụng cụ máy cho công việc của bạn.** Sử dụng đúng dụng cụ máy sẽ giúp thực hiện công việc tốt hơn và an toàn hơn theo giá trị định mức được thiết kế của dụng cụ máy đó.
2. **Không sử dụng dụng cụ máy nếu công tắc không bật và tắt được dụng cụ máy đó.** Mọi dụng cụ máy không thể điều khiển được bằng công tắc đều rất nguy hiểm và phải được sửa chữa.
3. **Rút phích cắm ra khỏi nguồn điện và/hoặc tháo kết nối bộ pin khỏi dụng cụ máy, nếu có thể tháo rời trước khi thực hiện bất kỳ công việc điều chỉnh, thay đổi phụ tùng hay cất giữ dụng cụ máy nào.** Những biện pháp an toàn phòng ngừa này sẽ giảm nguy cơ vô tình khởi động dụng cụ máy.
4. **Cất giữ các dụng cụ máy không sử dụng ngoài tầm với của trẻ em và không cho bất kỳ người nào không có hiểu biết về dụng cụ máy hoặc các hướng dẫn này vận hành dụng cụ máy.** Dụng cụ máy sẽ rất nguy hiểm nếu được sử dụng bởi những người dùng chưa qua đào tạo.



- Bảo dưỡng dụng cụ máy và các phụ kiện.** Kiểm tra tình trạng lệch trục hoặc bó kẹt của các bộ phận chuyển động, hiện tượng nứt vỡ của các bộ phận và mọi tình trạng khác mà có thể ảnh hưởng đến hoạt động của dụng cụ máy. Nếu có hỏng hóc, hãy sửa chữa dụng cụ máy trước khi sử dụng. Nhiều tai nạn xảy ra là do không bảo quản tốt dụng cụ máy.
- Luôn giữ cho dụng cụ cất được sắc bén và sạch sẽ.** Những dụng cụ cất được bảo quản tốt có mép cắt sắc sẽ ít bị kẹt hơn và dễ điều khiển hơn.
- Sử dụng dụng cụ máy, phụ tùng và đầu dụng cụ cắt, v.v... theo các hướng dẫn này, có tính đến điều kiện làm việc và công việc được thực hiện.** Việc sử dụng dụng cụ máy cho các công việc khác với công việc dự định có thể gây nguy hiểm.
- Giữ tay cầm và bề mặt tay cầm khô, sạch, không dính dầu và mỡ.** Tay cầm trơn trượt và bề mặt tay cầm không cho phép xử lý an toàn và kiểm soát dụng cụ trong các tình huống bất ngờ.
- Khi sử dụng dụng cụ, không được đi giày tay lao động bằng vải, có thể bị vướng.** Việc giày tay lao động bằng vải vướng vào các bộ phận chuyển động có thể gây ra thương tích cá nhân.
- Một số vật liệu có thể chứa hóa chất độc hại. Phải cẩn trọng tránh hít phải bụi và để tiếp xúc với da. Tuân theo dữ liệu an toàn của nhà cung cấp vật liệu.**
- Nếu mũi khoan không thể nổi lòng ngay khi bạn mở ngàm kẹp, hãy dùng kim để kéo nó ra.** Trong trường hợp đó, việc dùng tay kéo mũi khoan ra có thể khiến các cạnh mép sắc nhọn gây thương tích cho bạn.

#### Hướng dẫn an toàn khi sử dụng mũi khoan dài

- Không được vận hành máy ở tốc độ cao hơn tốc độ tối đa của mũi khoan.** Ở tốc độ cao hơn, mũi khoan có khả năng bị cong nếu để nó xoay tự do mà không tiếp xúc với phôi gia công, dẫn đến thương tích cá nhân.
- Luôn bắt đầu khoan ở tốc độ thấp và khoan với đầu mũi có tiếp xúc với phôi gia công.** Ở tốc độ cao hơn, mũi khoan có khả năng bị cong nếu để nó xoay tự do mà không tiếp xúc với phôi gia công, dẫn đến thương tích cá nhân.
- Chỉ dùng lực theo đường thẳng với mũi khoan và không nhấn lực quá mức.** Các mũi khoan có thể bị uốn cong dẫn đến nứt hoặc mất kiểm soát, gây ra thương tích cá nhân.

## LƯU GIỮ CÁC HƯỚNG DẪN NÀY.

**⚠ CẢNH BÁO:** KHÔNG vì đã thoải mái hay quen thuộc với sản phẩm (có được do sử dụng nhiều lần) mà không tuân thủ nghiêm ngặt các quy định về an toàn dành cho sản phẩm này. **VIỆC DÙNG SAI** hoặc không tuân theo các quy định về an toàn được nêu trong tài liệu hướng dẫn này có thể dẫn đến thương tích cá nhân nghiêm trọng.

#### Bảo dưỡng

- Đề nghị nhân viên sửa chữa đủ trình độ bảo dưỡng dụng cụ máy của bạn và chỉ sử dụng các bộ phận thay thế đồng nhất.** Việc này sẽ đảm bảo duy trì được độ an toàn của dụng cụ máy.
- Tuân theo hướng dẫn dành cho việc bôi trơn và thay phụ tùng.**

### Cảnh báo an toàn đối với máy khoan búa cầm tay hoạt động bằng động cơ điện

#### Hướng dẫn an toàn cho mọi thao tác

- Đeo thiết bị bảo vệ tai khi thực hiện công tác khoan.** Việc đề tai tiếp xúc với tiếng ồn có thể gây giảm thính lực.
- Sử dụng (các) tay cầm phụ.** Việc mất khả năng kiểm soát có thể dẫn đến thương tích cá nhân.
- Cầm dụng cụ máy bằng bề mặt kẹp cách điện khi thực hiện một thao tác trong đó bộ phận cắt có thể tiếp xúc với dây dẫn kín hoặc dây của chính nó.** Phụ kiện cắt tiếp xúc với dây dẫn "có điện" có thể khiến các bộ phận kim loại bị hở của dụng cụ máy "có điện" và làm cho người vận hành bị điện giật.
- Luôn chắc chắn rằng bạn có chỗ tựa chân vững chắc. Đảm bảo rằng không có ai ở bên dưới khi sử dụng dụng cụ ở những vị trí trên cao.**
- Cầm chắc dụng cụ bằng cả hai tay.**
- Giữ tay tránh xa các bộ phận quay.**
- Không để mặc dụng cụ hoạt động. Chỉ vận hành dụng cụ khi cầm trên tay.**
- Không chạm vào mũi khoan hoặc phôi gia công ngay sau khi vận hành; chúng có thể rất nóng và có thể gây bỏng da.**

## MÔ TẢ CHỨC NĂNG

**⚠ THẬN TRỌNG:** Luôn bảo đảm rằng dụng cụ được tắt điện và rút phích cắm trước khi điều chỉnh hoặc kiểm tra chức năng của dụng cụ.

### Hoạt động công tắc

**⚠ CẢNH BÁO:** Trước khi cắm điện vào dụng cụ, luôn luôn kiểm tra xem cần khởi động công tắc có hoạt động bình thường hay không và trả về vị trí "OFF" (TẮT) khi nhả ra.

► Hình 1: 1. Cần khởi động công tắc 2. Nút Nhả khóa

Để khởi động dụng cụ, chỉ cần kéo cần khởi động công tắc. Tốc độ của dụng cụ được tăng lên bằng cách tăng áp lực lên cần khởi động công tắc. Nhả cần khởi động công tắc ra để dừng.

Để vận hành liên tục, hãy kéo cần khởi động công tắc, nhấn nút khóa và sau đó nhấn cần khởi động công tắc ra. Để dừng dụng cụ từ vị trí đã khóa, hãy kéo cần khởi động công tắc hết mức, sau đó nhả ra.

**⚠ THẬN TRỌNG:** Công tắc có thể khóa ở vị trí “ON” (BẬT) để người vận hành dễ dàng thuận tiện trong quá trình sử dụng kéo dài. Cần hết sức cẩn trọng khi khóa dụng cụ ở vị trí “ON” (BẬT) và phải luôn giữ chặt dụng cụ.

## Hoạt động công tắc đảo chiều

**⚠ THẬN TRỌNG:** Luôn luôn kiểm tra hướng xoay trước khi vận hành.

**⚠ THẬN TRỌNG:** Chỉ sử dụng công tắc đảo chiều sau khi dụng cụ đã dừng hoàn toàn. Việc thay đổi hướng xoay trước khi dụng cụ dừng có thể làm hỏng dụng cụ.

**⚠ THẬN TRỌNG:** Nếu không thể nhấn cần khởi động công tắc, hãy kiểm tra xem công tắc đảo chiều có được cài đầy đủ vào đúng vị trí ⇐ (Mặt A) hoặc vị trí ⇒ (Mặt B) hay chưa.



► **Hình2:** 1. Cần công tắc đảo chiều

Dụng cụ này có một công tắc đảo chiều để thay đổi chiều xoay. Di chuyển cần gạt công tắc đảo chiều sang vị trí ⇐ (mặt A) để xoay theo chiều kim đồng hồ hoặc sang vị trí ⇒ (mặt B) để xoay ngược chiều kim đồng hồ.

## Chọn chế độ hoạt động

**⚠ THẬN TRỌNG:** Luôn trượt cần chuyển chế độ hoạt động hết mức đến vị trí chế độ bạn mong muốn. Nếu bạn vận hành dụng cụ này với cần được đặt ở giữa các biểu tượng chế độ, dụng cụ có thể bị hư hỏng.

► **Hình3:** 1. Cần thay đổi chế độ hoạt động

Dụng cụ này có một cần chuyển chế độ hoạt động. Để vào chế độ khoan đóng búa, trượt cần chuyển chế độ hoạt động sang bên phải (biểu tượng ). Để vào chế độ chỉ khoan, trượt cần chuyển chế độ hoạt động sang bên trái (biểu tượng ).

## LẮP RÁP

**⚠ THẬN TRỌNG:** Luôn luôn đảm bảo rằng dụng cụ đã được tắt và tháo phích cắm trước khi dùng dụng cụ thực hiện bất cứ công việc nào.

## Lắp đặt tay cầm hông (tay cầm phụ)

**⚠ THẬN TRỌNG:** Luôn đảm bảo rằng dụng cụ này đã được tắt và rút phích cắm trước khi lắp hoặc tháo gỡ tay cầm hông.

► **Hình4:** 1. Đế tay cầm 2. Răng 3. Tay cầm hông (tay cầm phụ) 4. Phần nhỏ ra 5. Vận lỏng 6. Vận chặt

Luôn sử dụng tay cầm hông để đảm bảo vận hành an toàn. Lắp đặt tay cầm hông sao cho răng của tay cầm khớp vào giữa phần nhô ra của tang trống dụng cụ. Sau đó vận chặt tay cầm bằng cách xoay theo chiều kim đồng hồ đến vị trí mong muốn. Tay cầm có thể xoay 360° để được giữ chặt ở bất cứ vị trí nào.

## Lắp hoặc tháo gỡ mũi khoan

**⚠ THẬN TRỌNG:** Luôn đảm bảo rằng dụng cụ này đã được tắt và rút phích cắm trước khi lắp hoặc tháo gỡ mũi khoan.

► **Hình5:** 1. Ngâm khoan 2. Khóa ngâm

Để lắp đặt mũi khoan, hãy lắp nó vào trong ngâm khoan hết mức có thể. Vận chặt bộ phận ngâm bằng tay. Đặt khóa ngâm vào một trong ba lỗ nhỏ rồi vận chặt theo chiều kim đồng hồ. Đảm bảo vận chặt cả ba lỗ ngâm đều nhau.

Để tháo mũi khoan, hãy xoay khóa ngâm khoan ngược chiều kim đồng hồ chỉ ở một lỗ, sau đó vận lỏng bộ phận ngâm bằng tay.

Sau khi dùng khóa ngâm, phải đảm bảo đặt nó về vị trí ban đầu.

## Thanh đo sâu (tùy thuộc vào quốc gia)

► **Hình6:** 1. Tay cầm hông 2. Thanh đo sâu 3. Đế tay cầm 4. Bu-lông lục giác

Thanh đo sâu rất thuận tiện để khoan các lỗ có chiều sâu đồng nhất. Lắp đặt thanh đo sâu theo trình tự sau.

1. Xoay tay cầm hông ngược chiều kim đồng hồ để vận lỏng bu-lông lục giác.
2. Lắp thanh đo sâu và điều chỉnh độ sâu lỗ khoan.
3. Xoay tay cầm hông theo chiều kim đồng hồ sao cho thanh đo sâu và đế tay cầm được cố định hoàn toàn trên dụng cụ.

**LƯU Ý:** Thanh đo sâu không thể dùng ở vị trí nơi thanh đo sâu vướng vào thân dụng cụ.


## VẬN HÀNH

**⚠ THẬN TRỌNG:** Luôn sử dụng tay cầm hông (tay cầm phụ) và giữ chặt dụng cụ bằng cả hai tay cầm hông và đôi tay cầm trong lúc vận hành.

► **Hình7**

## Thao tác khoan búa

**⚠ THẬN TRỌNG:** Sẽ có lực xoắn rất lớn và bất ngờ trên dụng cụ/đầu mũi khoan khi lỗ khoan được xuyên thủng, vào lúc đó, lỗ khoan bắt đầu bị kẹt bởi các mảnh vụn và hạt hoặc khi dụng cụ vào các thép gia cường có trong bê-tông. Luôn sử dụng tay cầm hông (tay cầm phụ) và giữ chặt dụng cụ bằng cả hai tay cầm hông và đôi tay cầm trong lúc vận hành. Không làm như vậy có thể mất điều khiển dụng cụ và gây thương tích nghiêm trọng.

Khi khoan trong bê-tông, đá granite, gạch, v.v... trượt cần chuyển chế độ hoạt động sang vị trí có biểu tượng  để dừng hoạt động "khoan đóng búa". Hãy chắc chắn là bạn sử dụng đầu mũi khoan có bịt cacbua vonfram. Không được ấn mạnh khi lỗ khoan bắt đầu bị nghẽn bởi các hạt vụn hoặc các hạt. Thay vào đó, hãy chạy dụng cụ ở chế độ chờ, sau đó tháo riêng đầu mũi khoan ra khỏi lỗ. Bằng cách lặp lại thao tác này vài lần, lỗ khoan sẽ được vệ sinh sạch. Sau khi khoan lỗ, sử dụng bóng thổi khí để vệ sinh bụi bắn ra khỏi lỗ.


## Thao tác khoan

**⚠ THẬN TRỌNG:** Nhấn dụng cụ quá mức sẽ không tăng tốc độ khoan lên được. Trên thực tế, việc nhấn mạnh thêm này sẽ chỉ gây hỏng đầu mũi khoan của bạn, làm giảm hiệu năng và tuổi thọ hoạt động của dụng cụ.

**⚠ THẬN TRỌNG:** Giữ chặt dụng cụ và chuẩn bị ghim lực quán tính lại khi mũi khoan xuyên thủng phi gia công. Sẽ có lực quán tính rất lớn tác động lên dụng cụ/đầu mũi khoan khi lỗ khoan được xuyên thủng.

**⚠ THẬN TRỌNG:** Đầu mũi khoan bị kẹt có thể được tháo ra đơn giản bằng cách đặt công tắc đảo chiều sang chế độ xoay ngược lại để rút mũi khoan ra. Tuy nhiên, dụng cụ có thể quay ngược ra bất ngờ nếu bạn không giữ chặt.

**⚠ THẬN TRỌNG:** Luôn luôn giữ chặt các phi gia công bằng kim hoặc dụng cụ kẹp tương tự.

Khi khoan trong gỗ, kim loại hoặc vật liệu nhựa, trượt cần chuyển chế độ hoạt động sang vị trí có biểu tượng  để dùng hoạt động "chỉ khoan".

## Khoan vào gỗ

Khi khoan vào gỗ, để có kết quả tốt nhất cần sử dụng các mũi khoan dùng để khoan gỗ và vít dẫn. Vít dẫn hướng giúp khoan dễ dàng hơn bằng cách kéo đầu mũi khoan vào trong phi gia công.

## Khoan vào kim loại

Để phòng ngừa đầu mũi khoan bị trượt ra lúc bắt đầu khoan lỗ, hãy tạo một vết lõm bằng cách dùng dùi đục tâm và đóng vào điểm cần khoan. Đặt điểm đầu mũi khoan vào chỗ lõm này và bắt đầu khoan.

Sử dụng dầu nhờn để cắt khi khoan kim loại. Trừ các trường hợp dùng sắt và đồng thau cần phải được khoan khô.

## BẢO TRÌ

**⚠ THẬN TRỌNG:** Luôn bảo đảm rằng dụng cụ được tắt điện và rút phích cắm trước khi thử thực hiện việc kiểm tra hoặc bảo trì.

**CHÚ Ý:** Không được phép dùng xăng, ét xăng, dung môi, cồn hoặc hóa chất tương tự. Có thể xảy ra hiện tượng mất màu, biến dạng hoặc nứt vỡ.

Để đảm bảo AN TOÀN và TIN CẬY của sản phẩm, việc sửa chữa, việc kiểm tra và thay thế chổi các-bon, hoặc bất cứ thao tác bảo trì, điều chỉnh nào đều phải được thực hiện bởi các Trung tâm Dịch vụ Nhà máy hoặc Trung tâm Được Ủy quyền của Makita, luôn sử dụng các phụ tùng thiết bị thay thế của Makita.




## ข้อมูลจำเพาะ

รุ่น:		M0800	M0801
ความสามารถ	คอนกรีต	10 mm	16 mm
	โลหะ	10 mm	13 mm
	ไม้	20 mm	
ความเร็วหมุนเปล่า		0 - 3,200 min <sup>-1</sup>	
อัตราเจาะกระแทกต่อนาที		0 - 48,000 min <sup>-1</sup>	
ความยาวโดยรวม		254 mm	261 mm
น้ำหนักสุทธิ		1.6 kg	1.7 kg
มาตรฐานความปลอดภัย		☐/II	

- เนื่องจากการค้นคว้าวิจัยและพัฒนาอย่างต่อเนื่อง ข้อมูลจำเพาะในเอกสารฉบับนี้อาจเปลี่ยนแปลงได้โดยไม่ต้องแจ้งให้ทราบล่วงหน้า
- ข้อมูลจำเพาะอาจแตกต่างกันไปในแต่ละประเทศ
- น้ำหนักตามข้อบังคับของ EPTA 01/2014

### สัญลักษณ์

ต่อไปนี้เป็นสัญลักษณ์ที่อาจใช้สำหรับอุปกรณ์ โปรดศึกษาความหมายของสัญลักษณ์ให้เข้าใจก่อนการใช้งาน

	อ่านคู่มือการใช้งาน
	ฉนวนสองชั้น
	สำหรับประเทศในสหภาพยุโรปเท่านั้น ห้ามทั้งอุปกรณ์ไฟฟ้ารวมกับขยะครัวเรือนทั่วไป! เพื่อให้เป็นไปตามกฎระเบียบของยุโรปเกี่ยวกับขยะจำพวกอุปกรณ์ไฟฟ้าและอิเล็กทรอนิกส์ และการปฏิบัติตามกฎหมายในประเทศ ต้องเก็บอุปกรณ์ไฟฟ้าทั้งหมดอายุการใช้งานแล้วแยกต่างหาก และส่งกลับไปยังศูนย์รีไซเคิลที่เป็นมิตรต่อสิ่งแวดล้อม

### จุดประสงค์การใช้งาน

เครื่องมือนี้ใช้สำหรับเจาะกระแทกอิฐ คอนกรีต หิน และใช้สำหรับเจาะไม้ โลหะ เซรามิก และพลาสติก

### แหล่งจ่ายไฟ

ควรเชื่อมต่อเครื่องมือกับแหล่งจ่ายไฟที่มีแรงดันไฟฟ้าตามที่ระบุไว้ในป้ายข้อมูลของเครื่องมือ และต้องใช้ไฟฟ้ากระแสสลับแบบเฟสเดียวเท่านั้น อุปกรณ์นี้ได้รับการคุ้มครองสองชั้นและสามารถใช้กับปลั๊กไฟที่ไม่มีสายดินได้

### คำเตือนด้านความปลอดภัยของเครื่องมือไฟฟ้าทั่วไป

**คำเตือน:** โปรดอ่านคำเตือนด้านความปลอดภัย คำแนะนำ ภาพประกอบ และข้อมูลจำเพาะต่างๆ ที่ให้มา กับเครื่องมือไฟฟ้านี้อย่างละเอียด การไม่ปฏิบัติตามคำแนะนำดังต่อไปนี้ อาจส่งผลให้เกิดไฟฟ้าช็อต ไฟไหม้ และ/หรือได้รับบาดเจ็บอย่างร้ายแรงได้

### เก็บรักษาคำเตือนและคำแนะนำทั้งหมดไว้เป็นข้อมูลอ้างอิงในอนาคต

คำว่า “เครื่องมือไฟฟ้า” ในคำเตือนนี้หมายถึงเครื่องมือไฟฟ้า (มีสาย) ที่ทำงานโดยใช้กระแสไฟหรือเครื่องมือไฟฟ้า (ไร้สาย) ที่ทำงานโดยใช้แบตเตอรี่

## ความปลอดภัยของพื้นที่ทำงาน

1. ดูแลพื้นที่ทำงานให้มีความสะอาดและมีแสงไฟสว่าง พื้นที่รกๆหรือมีสิ่งกีดขวางอาจนำไปสู่การเกิดอุบัติเหตุได้
2. อย่าใช้งานเครื่องมือไฟฟ้าในสภาพที่อาจเกิดการระเบิด เช่น ในสถานที่ที่มีของเหลว ก๊าซ หรือฝุ่นผงที่มีคุณสมบัติไวไฟ เครื่องมือไฟฟ้าอาจสร้างประกายไฟและจุดชนวนฝุ่นผงหรือก๊าซดังกล่าว
3. ดูแลไม่ให้มีเด็ก หรือบุคคลอื่นอยู่ในบริเวณที่กำลังใช้เครื่องมือไฟฟ้า การมีสิ่งรบกวนสมาธิอาจทำให้คุณสูญเสียการควบคุม

## ความปลอดภัยด้านไฟฟ้า

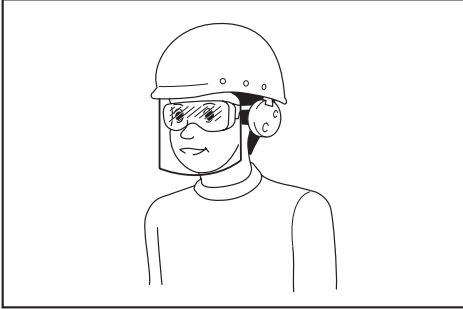
1. ปลั๊กของเครื่องมือไฟฟ้าต้องพอดีกับเต้ารับ อย่าดัดแปลงปลั๊กไม่ว่ากรณีใดๆ อย่าใช้ปลั๊กอะแดปเตอร์กับเครื่องมือไฟฟ้าที่ต่อสายดิน ปลั๊กที่ไม่ถูกดัดแปลงและเต้ารับที่เข้ากันพอดีจะช่วยลดความเสี่ยงของการเกิดไฟฟ้าช็อต
2. ระวังอย่าให้ร่างกายสัมผัสกับพื้นผิวที่ต่อสายดิน เช่น ท่อ เครื่องนำความร้อน เต้าหุงต้ม และตู้เย็น มีความเสี่ยงที่จะเกิดไฟฟ้ช็อตสูงขึ้น หากร่างกายของคุณสัมผัสกับพื้น
3. อย่าให้เครื่องมือไฟฟ้าถูกน้ำหรืออยู่ในสภาพเปียกชื้น น้ำที่ไหลเข้าไปในเครื่องมือไฟฟ้าจะเพิ่มความเสี่ยงของการเกิดไฟฟ้าช็อต
4. อย่าใช้สายไฟอย่างไม่เหมาะสม อย่าใช้สายไฟเพื่อยก ดึง หรือถอดปลั๊กเครื่องมือไฟฟ้า เก็บสายไฟให้ห่างจากความร้อน น้ำมัน ขอมมีคม หรือชิ้นส่วนที่เคลื่อนที่ สายที่ชำรุดหรือพันกันจะเพิ่มความเสี่ยงของการเกิดไฟฟ้าช็อต
5. ขณะที่ใช้งานเครื่องมือไฟฟ้านอกอาคาร ควรใช้สายต่อพ่วงที่เหมาะสมกับงานภายนอกอาคาร การใช้สายที่เหมาะสมกับงานภายนอกอาคารจะลดความเสี่ยงของการเกิดไฟฟ้าช็อต
6. หากต้องใช้งานเครื่องมือไฟฟ้าในสถานที่เปียกชื้น ให้ใช้อุปกรณ์ป้องกันกระแสไฟรั่ว (RCD) การใช้ RCD จะลดความเสี่ยงของการเกิดไฟฟ้าช็อต
7. แนะนำให้ใช้แหล่งจ่ายไฟผ่าน RCD ที่มีกระแสไฟรั่วในอัตราไม่เกิน 30 mA เสมอ
8. เครื่องมือไฟฟ้าอาจสร้างสนามแม่เหล็ก (EMF) ที่ไม่เป็นอันตรายต่อผู้ใช้ อย่างไรก็ตาม ผู้ใช้ที่ใส่เครื่องกระตุ้นหัวใจและอุปกรณ์ทางการแพทย์ที่คล้ายกันนี้ควรติดต่อผู้ผลิตอุปกรณ์และ/หรือแพทย์เพื่อรับคำแนะนำก่อนใช้งานเครื่องมือไฟฟ้านี้
9. อย่าจับปลั๊กไฟด้วยมือที่เปียก

10. หากสายไฟชำรุด โปรดให้ผู้ผลิตหรือตัวแทนของผู้ผลิตเปลี่ยนให้ เพื่อหลีกเลี่ยงอันตราย

## ความปลอดภัยส่วนบุคคล

1. ให้ระมัดระวังและมีสติอยู่เสมอขณะใช้งานเครื่องมือไฟฟ้า อย่าใช้งานเครื่องมือไฟฟ้าในขณะที่คุณกำลังเหนื่อย หรือในสภาพที่มึนเมาจากยาเสพติด เครื่องดื่ม แอลกอฮอล์ หรือการกินยา ช่วงเวลาที่ขาดความระมัดระวังเมื่อกำลังใช้งานเครื่องมือไฟฟ้าอาจทำให้ได้รับบาดเจ็บร้ายแรง
2. ใช้อุปกรณ์ป้องกันส่วนบุคคล สวมแว่นตาป้องกันแสงม อุปกรณ์ป้องกัน เช่น หน้ากากกันฝุ่น รองเท้านิรภัย กันลื่น หมวกนิรภัย หรือเครื่องป้องกันการได้ยินที่ใช้ในสภาพที่เหมาะสมจะช่วยลดการบาดเจ็บ
3. ป้องกันไม่ให้เกิดการเปิดใช้งานโดยไม่ตั้งใจ ตรวจสอบให้แน่ใจว่าสวิตช์ปิดอยู่ก่อนที่จะเชื่อมต่อกับแหล่งจ่ายไฟ และ/หรือชุดแบตเตอรี่ รวมทั้งตรวจสอบก่อนการยกหรือเคลื่อนย้ายเครื่องมือ การสอดนิ้วมือบริเวณสวิตช์เพื่อถือเครื่องมือไฟฟ้า หรือการชาร์จไฟเครื่องมือไฟฟ้าในขณะที่เปิดสวิตช์อาจนำไปสู่การเกิดอุบัติเหตุ
4. นำคู่มือฉบับปรับปรุงหรือประกาศออกก่อนที่จะเปิดเครื่องมือไฟฟ้า ประแหรือคู่มือแจ้งที่เสียบคางอยู่ในชั้นส่วนที่หมุนได้ของเครื่องมือไฟฟ้าอาจทำให้ได้รับบาดเจ็บ
5. อย่าทำงานในระยะที่สุดเอื้อม จัดทำการยึนและการทรงตัวให้เหมาะสมตลอดเวลา เพราะจะทำให้ควบคุมเครื่องมือไฟฟ้าได้ดีขึ้นในสถานการณ์ที่ไม่คาดคิด
6. แต่งกายให้เหมาะสม อย่าสวมเครื่องแต่งกายที่หลวมเกินไป หรือสวมเครื่องประดับ ดูแลไม่ให้เส้นผมและเสื้อผ้าอยู่ใกล้ชิ้นส่วนที่เคลื่อนที่ เสื้อผ้ารุ่มร่าม เครื่องประดับ หรือผมที่มีความยาวอาจเข้าไปติดในชิ้นส่วนที่เคลื่อนที่
7. หากมีการจัดอุปกรณ์สำหรับดูดและจับฝุ่นไว้ในสถานที่ ให้ตรวจสอบว่าได้เชื่อมต่อและใช้งานอุปกรณ์นั้นอย่างเหมาะสม การใช้เครื่องดูดและจับฝุ่นจะช่วยลดอันตรายที่เกิดจากฝุ่นผงได้
8. อย่าให้ความคุ้นเคยจากการใช้งานเครื่องมือเป็นประจำทำให้คุณทำตามตัวตามสบายและละเลยหลักการเพื่อความปลอดภัยในการใช้เครื่องมือ การกระทำที่ไม่ระมัดระวังอาจทำให้เกิดการบาดเจ็บร้ายแรงภายในเสี้ยววินาที

- สวมใส่แว่นครอบตานิรภัยเพื่อปกป้องดวงตาของคุณจากการบาดเจ็บเมื่อใช้เครื่องมือไฟฟ้า แว่นครอบตาจะต้องได้มาตรฐาน ANSI Z87.1 ในสหรัฐอเมริกา, EN 166 ในยุโรป หรือ AS/NZS 1336 ในออสเตรเลีย/นิวซีแลนด์ ในออสเตรเลีย/นิวซีแลนด์ จะต้องสวมเกราะป้องกันใบหน้าเพื่อปกป้องใบหน้าของคุณอย่างถูกต้องตามกฎหมายด้วย



ผู้ว่าจ้างมีหน้าที่รับผิดชอบในการบังคับผู้ใช้งานเครื่องมือและบุคคลอื่นๆ ที่อยู่ในบริเวณที่ปฏิบัติงานให้ใช้อุปกรณ์ป้องกันที่เหมาะสม

#### การใช้และดูแลเครื่องมือไฟฟ้า

- อย่าฝืนใช้เครื่องมือไฟฟ้า ใช้เครื่องมือไฟฟ้าที่เหมาะสมกับการใช้งานของคุณ เครื่องมือไฟฟ้าที่เหมาะสมจะทำให้ได้งานที่มีประสิทธิภาพและปลอดภัยกว่าตามขีดความสามารถของเครื่องที่ได้รับการออกแบบมา
- อย่าใช้เครื่องมือไฟฟ้า หากสวิตช์ไม่สามารถเปิดปิดได้ เครื่องมือไฟฟ้าที่ควบคุมด้วยสวิตช์ไม่ได้เป็นสิ่งอันตรายและต้องได้รับการซ่อมแซม
- ถอดปลั๊กจากแหล่งจ่ายไฟ และ/หรือชุดแบตเตอรี่ออกจากเครื่องมือไฟฟ้าก่อนทำการปรับตั้ง เปลี่ยนอุปกรณ์เสริม หรือจัดเก็บเครื่องมือไฟฟ้า วิธีการป้องกันด้านความปลอดภัยดังกล่าวจะช่วยลดความเสี่ยงในการเปิดใช้งานเครื่องมือไฟฟ้าโดยไม่ตั้งใจ
- จัดเก็บเครื่องมือไฟฟ้าที่ไม่ได้ใช้งานให้ห่างจากมือเด็ก และอย่าอนุญาตให้บุคคลที่ไม่คุ้นเคยกับเครื่องมือไฟฟ้าหรือคำแนะนำเหล่านี้ใช้งานเครื่องมือไฟฟ้า เครื่องมือไฟฟ้าจะเป็นอันตรายเมื่ออยู่ในมือของผู้ที่ไม่ได้รับการฝึกอบรม

- บำรุงรักษาเครื่องมือไฟฟ้าและอุปกรณ์เสริม ตรวจสอบการประกอบที่ไม้ถูกต้องหรือการเชื่อมต่อของชิ้นส่วนที่เคลื่อนที่ การแตกหักของชิ้นส่วน หรือสภาพอื่นๆ ที่อาจส่งผลกระทบต่อการทำงานของเครื่องมือไฟฟ้า หากมีความเสียหาย ให้นำเครื่องมือไฟฟ้าไปซ่อมแซมก่อนการใช้งาน อุบัติเหตุจำนวนมากเกิดจากการดูแลรักษาเครื่องมือไฟฟ้าอย่างไม่ถูกต้อง
- ทำความสะอาดเครื่องมือตัดและลับให้คมอยู่เสมอ เครื่องมือการตัดที่มีการดูแลอย่างถูกต้องและมีขอบการตัดคมมักจะมีปัญหาติดขัดน้อยและควบคุมได้ง่ายกว่า
- ใช้เครื่องมือไฟฟ้า อุปกรณ์เสริม และวัสดุสิ้นเปลือง ฯลฯ ตามคำแนะนำดังกล่าว พิจารณาสภาพการทำงานและงานที่จะลงมือทำ การใช้เครื่องมือไฟฟ้าเพื่อทำงานอื่นนอกเหนือจากที่กำหนดไว้อาจทำให้เกิดอันตราย
- ดูแลมือจับและบริเวณมือจับให้แห้ง สะอาด และไม่มีน้ำมันและจาระบีเปื้อน มือจับและบริเวณมือจับที่ชื้นจะทำให้ไม่สามารถจับและควบคุมเครื่องมือได้อย่างปลอดภัยในสถานการณ์ที่ไม่คาดคิด
- ขณะใช้งานเครื่องมือ อย่างสวมใส่ถุงมือผ้าที่อาจเข้าไปติดในเครื่องมือได้ หากถุงมือผ้าเข้าไปติดในชิ้นส่วนที่กำลังเคลื่อนที่อาจทำให้ได้รับบาดเจ็บ

#### การซ่อมบำรุง

- นำเครื่องมือไฟฟ้าเข้ารับบริการจากช่างซ่อมที่ผ่านการรับรองโดยใช้อะไหล่แบบเดียวกันเท่านั้น เพราะจะทำให้การใช้เครื่องมือไฟฟ้ามีความปลอดภัย
- ปฏิบัติตามคำแนะนำในการหล่อลื่นและการเปลี่ยนอุปกรณ์เสริม

### คำเตือนด้านความปลอดภัยของส่วนไฟฟ้าแบบเจาะกระแทก

คำแนะนำด้านความปลอดภัยสำหรับการทำงานทั้งหมด

- สวมใส่อุปกรณ์ป้องกันเสียงเมื่อทำการเจาะกระแทกเสียงที่ดังเกินขนาดอาจทำให้สูญเสียการได้ยิน
- ใช้ที่จับเสริม การสูญเสียการควบคุมอาจทำให้ได้รับบาดเจ็บได้
- จับเครื่องมือไฟฟ้าที่พื้นผิวมือจับหุ้มฉนวนขณะใช้งาน เนื่องจากอุปกรณ์ตัดอาจสัมผัสกับสายไฟที่ซ่อนอยู่หรือสายไฟของเครื่องมือเอง อุปกรณ์ตัดที่สัมผัสกับสายไฟที่ “มีกระแสไฟฟ้าไหลผ่าน” อาจทำให้ชิ้นส่วนโลหะของเครื่องมือไฟฟ้า “มีกระแสไฟฟ้าไหลผ่าน” และทำให้ผู้ใช้งานถูกไฟฟ้าช็อตได้

4. ตรวจสอบให้แน่ใจว่าได้ยื่นอย่างมั่นคง หากใช้งาน เครื่องมือในพื้นที่สูง ระวังอย่าให้มีคนอยู่ด้านล่าง
5. จับเครื่องมือให้แน่นด้วยมือทั้งสองข้าง
6. ระวังอย่าให้มีสัมผัสกับชิ้นส่วนที่หมุนได้
7. อย่าปล่อยให้เครื่องมือทำงานค้างไว้ ใช้งานเครื่องมือ ในขณะที่ถืออยู่เท่านั้น
8. ห้ามสัมผัสกับดอกสว่านหรือชิ้นงานทันทีที่ทำงานเสร็จ เนื่องจากดอกสว่านหรือชิ้นงานอาจมีความร้อนสูงและลวกผิวหนังของคุณได้
9. วัสดุบางอย่างอาจมีสารเคมีที่เป็นพิษ ระวังอย่าสูดดมฝุ่นหรือสัมผัสกับผิวหนัง ปฏิบัติตามข้อมูลด้านความปลอดภัยของผู้ผลิตวัสดุ
10. หากดอกสว่านไม่คลายออกแม้คุณจะมีแรงบิดของหัวจับแล้ว ให้ใช้คีมดึงออก ในกรณีดังกล่าว การดึงดอกสว่านด้วยมืออาจทำให้ได้รับบาดเจ็บจากขอบที่คมของดอกสว่านได้

#### คำแนะนำด้านความปลอดภัยเมื่อใช้ดอกสว่านแบบยาว

1. ห้ามใช้งานที่ความเร็วสูงกว่าระดับความเร็วสูงสุดของดอกสว่าน ที่ความเร็วสูงดอกจะมีแนวโน้มที่จะโค้งงอ หากถูกทำให้หมุนได้อย่างอิสระโดยไม่ได้สัมผัสชิ้นงาน ซึ่งจะทำให้ได้รับบาดเจ็บได้
2. เริ่มการเจาะที่ความเร็วต่ำและให้ปลายของดอกสว่านสัมผัสกับชิ้นงานเสมอ ที่ความเร็วสูงดอกจะมีแนวโน้มที่จะโค้งงอหากถูกทำให้หมุนได้อย่างอิสระโดยไม่ได้สัมผัสชิ้นงาน ซึ่งจะทำให้ได้รับบาดเจ็บได้
3. ใช้แรงกดในทิศทางตรงกับดอกเท่านั้นและอย่าใช้แรงกดมากเกินไป ดอกอาจงอได้ ซึ่งเป็นสาเหตุที่ทำให้เกิดการแตกหรือสูญเสียการควบคุม ส่งผลให้เกิดการบาดเจ็บได้

#### ปฏิบัติตามคำแนะนำเหล่านี้

**คำเตือน:** อย่าให้ความไม่ระมัดระวังหรือความคุ้นเคยกับผลิตภัณฑ์ (จากการใช้งานซ้ำหลายครั้ง) อยู่เหนือการปฏิบัติตามกฎเกณฑ์ด้านความปลอดภัยในการใช้งาน ผลิตภัณฑ์อย่างเคร่งครัด การใช้งานอย่างไม่เหมาะสมหรือการไม่ปฏิบัติตามกฎเกณฑ์ด้านความปลอดภัยในคู่มือการใช้งานนี้อาจทำให้ได้รับบาดเจ็บร้ายแรง

## คำอธิบายการทำงาน

**คำเตือน:** ตรวจสอบให้แน่ใจว่าได้ปิดสวิตช์เครื่องมือและถอดปลั๊กออกก่อนปรับตั้งหรือตรวจสอบการทำงานของเครื่องมือ

### การทำงานของสวิตช์

**คำเตือน:** ก่อนเสียบปลั๊กเครื่องมือ ให้ตรวจสอบว่าสวิตช์สั่งงานสามารถทำงานได้อย่างถูกต้อง และกลับไปยังตำแหน่ง "OFF" เมื่อปล่อย

► หมายเลข 1: 1. สวิตช์สั่งงาน 2. ปุ่มปลดล็อก

เมื่อต้องการเปิดใช้เครื่องมือ ให้ดึงสวิตช์สั่งงาน ความเร็วเครื่องมือจะเพิ่มขึ้นเมื่อออกแรงกดที่สวิตช์สั่งงาน ปล่อยสวิตช์สั่งงานเพื่อหยุดทำงาน

ถ้าต้องการใช้งานอย่างต่อเนื่อง ดึงสวิตช์สั่งงาน กดปุ่มปลดล็อก แล้วปล่อยสวิตช์สั่งงาน ถ้าต้องการเลิกใช้งานเครื่องมือในตำแหน่งล็อก ให้ดึงสวิตช์สั่งงานจนสุด จากนั้นปล่อยสวิตช์

**คำเตือน:** สวิตช์สามารถล็อกในตำแหน่ง "ON" เพื่อช่วยให้สะดวกในการใช้งานอย่างต่อเนื่อง ใช้ความระมัดระวังเมื่อล็อกสวิตช์เครื่องมือในตำแหน่ง "ON" และจับเครื่องมือให้แน่นตลอดเวลา

### การใช้งานสวิตช์เปลี่ยนทิศทาง

**คำเตือน:** ตรวจสอบทิศทางการหมุนก่อนการใช้งานเสมอ

**คำเตือน:** ใช้สวิตช์เปลี่ยนทิศทางหลังจากเครื่องมือหยุดสนิทแล้วเท่านั้น การเปลี่ยนทิศทางการหมุนก่อนเครื่องมือหยุดสนิทอาจทำให้เครื่องมือเสียหายได้

**คำเตือน:** หากไม่สามารถกดสวิตช์สั่งงานลงได้ ให้ตรวจสอบว่าสวิตช์เปลี่ยนทิศทางถูกตั้งไปที่ตำแหน่ง ⇐ (ด้าน A) หรือตำแหน่ง ⇒ (ด้าน B) จนสุดแล้วหรือไม่

► หมายเลข 2: 1. ก้านสวิตช์เปลี่ยนทิศทาง

เครื่องมือนี้มีสวิตช์เปลี่ยนทิศทาง เพื่อใช้เปลี่ยนทิศทางการหมุน ปรับก้านสวิตช์เปลี่ยนทิศทางไปที่ตำแหน่ง ⇐ (ด้าน A) สำหรับการหมุนตามเข็มนาฬิกา หรือตำแหน่ง ⇒ (ด้าน B) สำหรับการหมุนทวนเข็มนาฬิกา



## การเลือกโหมดการทำงาน

**⚠ ข้อควรระวัง:** เลื่อนก้านเปลี่ยนโหมดการทำงานไปจนสุดเสมอ ตามตำแหน่งโหมดที่คุณต้องการ หากคุณใช้งานเครื่องมือโดยที่ก้านอยู่กึ่งกลางระหว่างสัญลักษณ์โหมด เครื่องมืออาจเสียหายได้

▶ **หมายเลข 3:** 1. ก้านเปลี่ยนโหมดการทำงาน

เครื่องมือนี้มีการเปลี่ยนโหมดการทำงาน สำหรับการหมุนและการตอก ให้เลื่อนก้านเปลี่ยนโหมดการทำงานไปทางขวา (สัญลักษณ์ T) สำหรับการหมุนเท่านั้น ให้เลื่อนก้านเปลี่ยนโหมดการทำงานไปทางซ้าย (สัญลักษณ์ S)

## การประกอบ

**⚠ ข้อควรระวัง:** ตรวจสอบให้แน่ใจว่าได้ปิดสวิตช์เครื่องมือและถอดปลั๊กออกก่อนดำเนินงานใดๆ กับเครื่องมือ

## การติดตั้งด้ามจับด้านข้าง (มือจับเสริม)

**⚠ ข้อควรระวัง:** ตรวจสอบให้แน่ใจว่าได้ปิดสวิตช์เครื่องมือและถอดปลั๊กออก ก่อนทำการติดตั้งหรือถอดด้ามจับด้านข้าง

▶ **หมายเลข 4:** 1. ฐานด้ามจับ 2. ฟันเฟือง 3. ด้ามจับด้านข้าง (มือจับเสริม) 4. ส่วนที่ยื่นออกมา 5. คลาย 6. ชันแน่น

ใช้ด้ามจับด้านข้างเสมอ เพื่อความปลอดภัยในการทำงาน ติดตั้งด้ามจับด้านข้าง โดยให้ฟันเฟืองของด้ามจับอยู่ระหว่างส่วนที่ยื่นออกมาของเครื่องมือ จากนั้นขันด้ามจับ โดยการหมุนตามเข็มนาฬิกาตรงตำแหน่งที่ต้องการ ซึ่งอาจจะหมุน 360° เพื่อให้ยึดแน่นที่ตำแหน่งใดตำแหน่งหนึ่ง

## การติดตั้งหรือถอดดอกสว่าน

**⚠ ข้อควรระวัง:** ตรวจสอบให้แน่ใจว่าได้ปิดสวิตช์เครื่องมือและถอดปลั๊กออก ก่อนทำ การติดตั้งหรือถอดดอกสว่าน

▶ **หมายเลข 5:** 1. หัวจับดอกสว่าน 2. ประแจขันหัวจับ

เมื่อต้องการติดตั้งดอกสว่าน ให้ใส่ดอกสว่านลงในหัวจับจนสุด ขันหัวจับให้แน่นด้วยมือ ใช้ประแจขันหัวจับให้แน่น ทั้งสามารถตามเข็มนาฬิกา อย่าลืมขันหัวจับทั้งสองให้แน่นเท่ากัน

ถ้าต้องการถอดดอกสว่าน ให้หมุนประแจขันหัวจับทวนเข็มนาฬิกาเพียงรูเดียว จากนั้นคลายหัวจับด้วยมือ

หลังจากใช้ประแจขันหัวจับ ให้เก็บประแจกลับเข้าที่ตำแหน่งเดิม

## เกจวัดความลึก (เฉพาะประเทศ)

▶ **หมายเลข 6:** 1. ด้ามจับด้านข้าง 2. เกจวัดความลึก 3. ฐานด้ามจับ 4. สลักเกลียวหกเหลี่ยม

เกจวัดความลึกสะดวกสำหรับการเจาะรูที่มีควมลึกเท่ากัน ติดตั้งเกจวัดความลึกตามลำดับดังนี้

1. หมุนด้ามจับด้านข้างทวนเข็มนาฬิกาเพื่อคลายสลักเกลียวหกเหลี่ยม
2. ใส่เกจวัดความลึกและปรับความลึกของรู
3. หมุนด้ามจับด้านข้างตามเข็มนาฬิกา เกจวัดความลึกและฐานด้ามจับก็จะถูกยึดเข้ากับเครื่องมืออย่างสมบูรณ์

**หมายเหตุ:** เกจวัดความลึกไม่สามารถใช้ที่ตำแหน่งซึ่งเกจชนกับตัวเครื่องมือได้

## การใช้งาน

**⚠ ข้อควรระวัง:** ใช้ด้ามจับด้านข้าง (มือจับเสริม) เสมอ และจับเครื่องมือให้แน่นด้วยด้ามจับด้านข้างและมือจับสวิตช์ในระหว่างการใช้งาน

▶ **หมายเลข 7**

## การใช้งานการเจาะกระแทก

**⚠ ข้อควรระวัง:** จะเกิดแรงบิดบนเครื่องมือ/ดอกสว่านอย่างมหาศาลทันทีเมื่อเจาะรูจนทะลุ เมื่อมีเศษวัสดุอุดตันที่รู หรือเมื่อปะทะกับเหล็กเสริมในคอนกรีต ใช้ด้ามจับด้านข้าง (มือจับเสริม) เสมอ และจับเครื่องมือให้แน่นด้วยการไม่ปฏิบัติตามขั้นตอนดังกล่าวอาจทำให้ไม่สามารถควบคุมเครื่องมือและได้รับบาดเจ็บรุนแรง

เมื่อทำการเจาะคอนกรีต หินแกรนิต กระเบื้อง ฯลฯ ให้เลื่อนก้านเปลี่ยนโหมดการทำงานไปที่ตำแหน่งสัญลักษณ์ T เพื่อใช้การทำงานแบบ “การหมุนพร้อมกระแทก” ใช้ดอกสว่านปลายทังสเตนคาร์ไบด์ อย่าออกแรงกดเมื่อรูตันด้วยเศษวัสดุหรือเศษผงต่างๆ ให้ใช้งานเครื่องมือที่รอบเดินเบาแทน จากนั้นดึงดอกสว่านบางส่วนออกมาจากรู การทำแบบนี้ซ้ำหลายๆ ครั้งจะทำให้รูสะอาด หลังการเจาะรู ใช้กระเปาะยางเป่าลมเพื่อเป่าฝุ่นออกจากรู



## การเจาะ

**⚠ ข้อควรระวัง:** การออกแรงกดบนเครื่องมือไม่ช่วยให้การเจาะเร็วขึ้น ตามข้อเท็จจริงแล้ว แรงกดที่มากเกินไปจะทำให้ปลายดอกสว่านเสียหาย ลดประสิทธิภาพและอายุการใช้งานของเครื่องมือ

**⚠ ข้อควรระวัง:** จับเครื่องมือให้แน่น และระมัดระวังเมื่อดอกสว่านเริ่มเจาะทะลุชิ้นงาน จะมีแรงกดบนเครื่องมือ/ดอกสว่านอย่างมากขณะเจาะรู

**⚠ ข้อควรระวัง:** ดอกสว่านที่ติดอยู่ที่ชิ้นงานสามารถนำออกมาได้ง่ายโดยการเลื่อนสวิตช์เปลี่ยนทิศทางให้ดอกสว่านหมุนย้อนกลับ อย่างไรก็ตาม เครื่องมืออาจจะถอยออกทันทีโดยที่คุณไม่ทันตั้งตัว คุณจึงควรจับเครื่องมือไว้ให้แน่น

**⚠ ข้อควรระวัง:** ยึดชิ้นงานด้วยปากกาจับงาน หรืออุปกรณ์จับยึดที่คล้ายคลึงกันเสมอ

เมื่อเจาะไม้ โลหะ หรือพลาสติก ให้หมุนก้านเปลี่ยนโหมดการทำงานไปยังตำแหน่งสัญลักษณ์ ๒ เพื่อใช้งาน “การหมุนเท่านั้น”

## การเจาะไม้

เพื่อให้ได้ผลดีในการเจาะไม้ ควรใช้สว่านเจาะไม้ควบคู่กับสกรูนำ สกรูนำจะช่วยให้การเจาะง่ายขึ้น โดยการติดตั้งดอกสว่านลงในชิ้นงาน

## การเจาะโลหะ

เพื่อป้องกันดอกสว่านเลื้อนเมื่อเริ่มเจาะรู ให้ทำรอยตัดด้วยเหล็กเจาะนำศูนย์และค้อนในจุดที่จะเจาะ วางปลายดอกสว่านที่รอยตัด และเริ่มเจาะ ใช้สารหล่อลื่นสำหรับการตัดเมื่อเจาะโลหะ ยกเว้นการเจาะเหล็กและทองเหลือง ซึ่งควรเจาะแบบแห้ง

## การบำรุงรักษา

**⚠ ข้อควรระวัง:** ตรวจสอบให้แน่ใจว่าได้ปิดสวิตช์เครื่องมือและถอดปลั๊กออกก่อนทำการตรวจสอบหรือบำรุงรักษา

**ข้อสังเกต:** อย่าใช้น้ำมันเชื้อเพลิง เบนซิน ทินเนอร์ แอลกอฮอล์ หรือวัสดุประเภทเดียวกัน เนื่องจากอาจทำให้สีซีดจาง เสียรูป หรือแตกร้าวได้

เพื่อความปลอดภัยและความน่าเชื่อถือของผลิตภัณฑ์ ควรให้ศูนย์บริการหรือโรงงานที่ผ่านการรับรองจาก Makita เป็นผู้ดำเนินการซ่อมแซม ตรวจสอบและเปลี่ยนแปลงคาร์บอนบำรุงรักษา และทำการปรับตั้งอื่นๆ นอกจากนี้ให้ใช้อะไหล่ของแท้จาก Makita เสมอ





**Makita Corporation**  
3-11-8, Sumiyoshi-cho,  
Anjo, Aichi 446-8502 Japan  
[www.makita.com](http://www.makita.com)

885429B376  
EN, ZHCN, ID, MS,  
VI, TH  
20200228