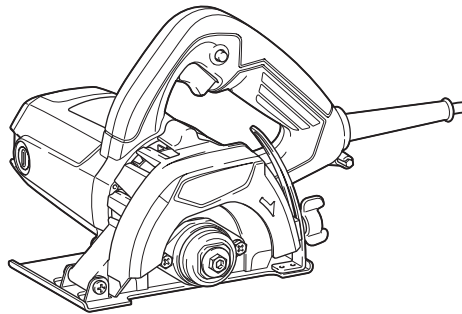
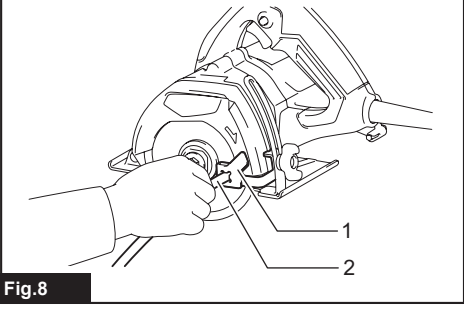
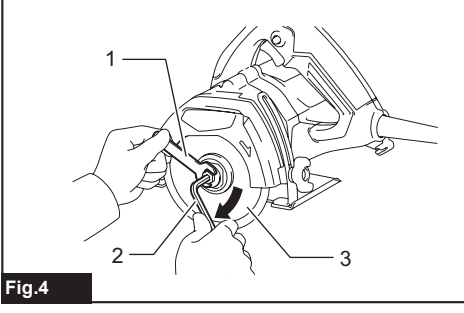
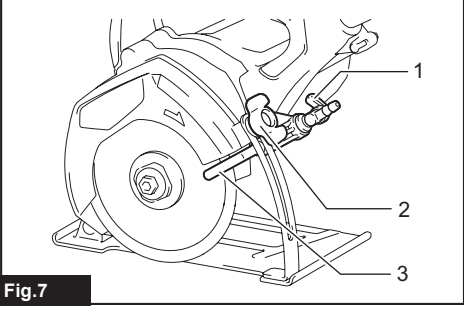
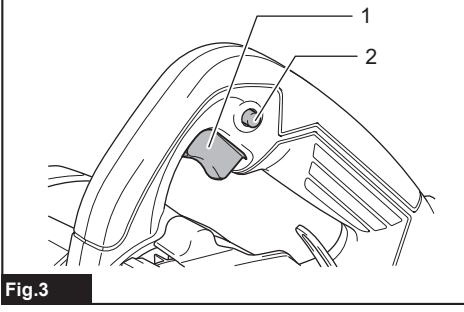
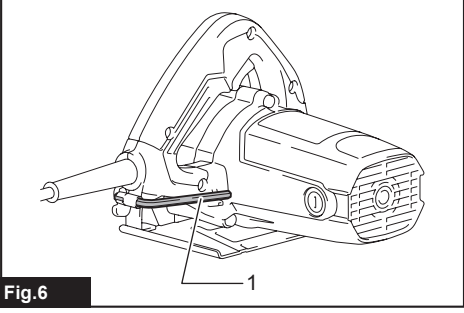
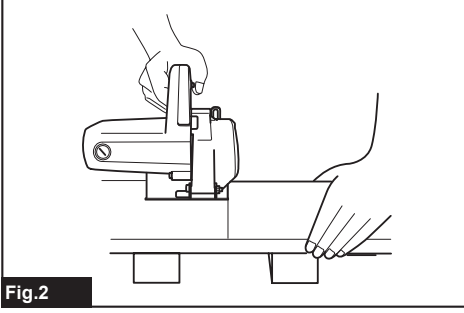
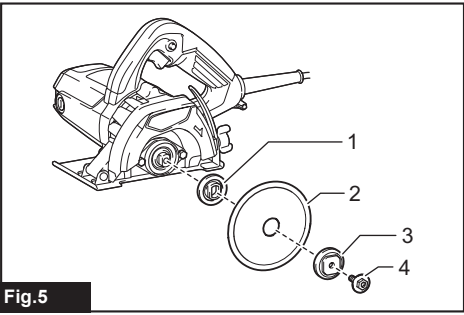
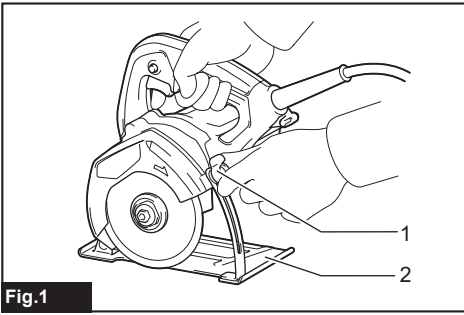


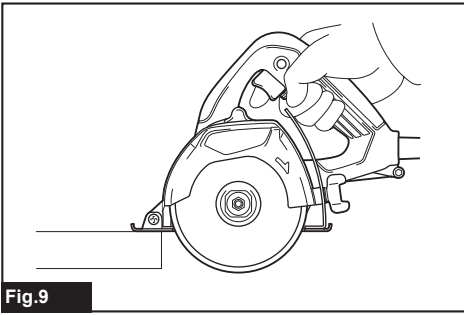


<b>EN</b>	Cutter	<b>INSTRUCTION MANUAL</b>	<b>4</b>
<b>ZHCN</b>	切割机	使用说明书	<b>9</b>
<b>ID</b>	Pemotong	<b>PETUNJUK PENGGUNAAN</b>	<b>14</b>
<b>MS</b>	Pemotong	<b>MANUAL ARAHAN</b>	<b>20</b>
<b>VI</b>	Máy Cắt Đá Cầm Tay Hoạt Động Bằng Động Cơ Điện	<b>TÀI LIỆU HƯỚNG DẪN</b>	<b>26</b>
<b>TH</b>	หัวตัด	คู่มือการใช้งาน	<b>32</b>

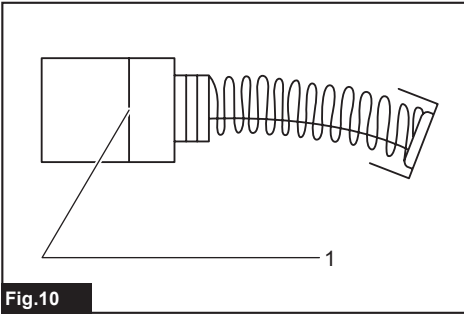
## M4100



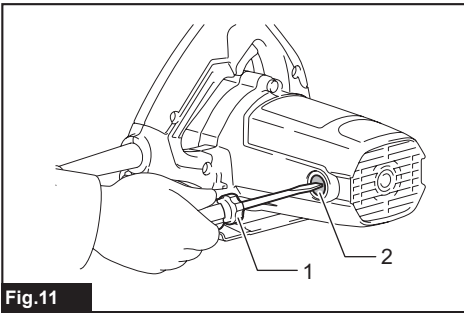




**Fig.9**



**Fig.10**



**Fig.11**

# SPECIFICATIONS

Model:	M4100
Wheel diameter	110 mm
Hole diameter	20 mm
Max. wheel thickness	2 mm
Max. cutting capacities	32 mm
Rated speed (n)	13,000 min <sup>-1</sup>
Overall length	227 mm
Net weight	2.9 kg
Safety class	□/II

- Due to our continuing program of research and development, the specifications herein are subject to change without notice.
- Specifications may differ from country to country.
- Weight according to EPTA-Procedure 01/2003

## Symbols

The followings show the symbols which may be used for the equipment. Be sure that you understand their meaning before use.



Read instruction manual.



DOUBLE INSULATION



Wear safety glasses.



Only for EU countries  
Do not dispose of electric equipment together with household waste material! In observance of the European Directive, on Waste Electric and Electronic Equipment and its implementation in accordance with national law, electric equipment that have reached the end of their life must be collected separately and returned to an environmentally compatible recycling facility.

## Intended use

The tool is intended for cutting in brick, concrete and stone.

## Power supply

The tool should be connected only to a power supply of the same voltage as indicated on the nameplate, and can only be operated on single-phase AC supply. They are double-insulated and can, therefore, also be used from sockets without earth wire.

## General power tool safety warnings

**⚠ WARNING:** Read all safety warnings and all instructions. Failure to follow the warnings and instructions may result in electric shock, fire and/or serious injury.

## Save all warnings and instructions for future reference.

The term "power tool" in the warnings refers to your mains-operated (corded) power tool or battery-operated (cordless) power tool.

### Work area safety

1. **Keep work area clean and well lit.** Cluttered or dark areas invite accidents.
2. **Do not operate power tools in explosive atmospheres, such as in the presence of flammable liquids, gases or dust.** Power tools create sparks which may ignite the dust or fumes.
3. **Keep children and bystanders away while operating a power tool.** Distractions can cause you to lose control.

### Electrical Safety

1. **Power tool plugs must match the outlet. Never modify the plug in any way. Do not use any adapter plugs with earthed (grounded) power tools.** Unmodified plugs and matching outlets will reduce risk of electric shock.
2. **Avoid body contact with earthed or grounded surfaces, such as pipes, radiators, ranges and refrigerators.** There is an increased risk of electric shock if your body is earthed or grounded.
3. **Do not expose power tools to rain or wet conditions.** Water entering a power tool will increase the risk of electric shock.

4. **Do not abuse the cord. Never use the cord for carrying, pulling or unplugging the power tool. Keep cord away from heat, oil, sharp edges or moving parts.** Damaged or entangled cords increase the risk of electric shock.
5. **When operating a power tool outdoors, use an extension cord suitable for outdoor use.** Use of a cord suitable for outdoor use reduces the risk of electric shock.
6. **If operating a power tool in a damp location is unavoidable, use a residual current device (RCD) protected supply.** Use of an RCD reduces the risk of electric shock.
7. **Use of power supply via an RCD with a rated residual current of 30 mA or less is always recommended.**
4. **Store idle power tools out of the reach of children and do not allow persons unfamiliar with the power tool or these instructions to operate the power tool.** Power tools are dangerous in the hands of untrained users.
5. **Maintain power tools. Check for misalignment or binding of moving parts, breakage of parts and any other condition that may affect the power tool's operation. If damaged, have the power tool repaired before use.** Many accidents are caused by poorly maintained power tools.
6. **Keep cutting tools sharp and clean.** Properly maintained cutting tools with sharp cutting edges are less likely to bind and are easier to control.
7. **Use the power tool, accessories and tool bits etc. in accordance with these instructions, taking into account the working conditions and the work to be performed.** Use of the power tool for operations different from those intended could result in a hazardous situation.

#### Personal Safety

1. **Stay alert, watch what you are doing and use common sense when operating a power tool. Do not use a power tool while you are tired or under the influence of drugs, alcohol or medication.** A moment of inattention while operating power tools may result in serious personal injury.
2. **Use personal protective equipment. Always wear eye protection.** Protective equipment such as a dust mask, non-skid safety shoes, hard hat or hearing protection used for appropriate conditions will reduce personal injuries.
3. **Prevent unintentional starting. Ensure the switch is in the off-position before connecting to power source and/or battery pack, picking up or carrying the tool.** Carrying power tools with your finger on the switch or energising power tools that have the switch on invites accidents.
4. **Remove any adjusting key or wrench before turning the power tool on.** A wrench or a key left attached to a rotating part of the power tool may result in personal injury.
5. **Do not overreach. Keep proper footing and balance at all times.** This enables better control of the power tool in unexpected situations.
6. **Dress properly. Do not wear loose clothing or jewellery. Keep your hair, clothing, and gloves away from moving parts.** Loose clothes, jewellery or long hair can be caught in moving parts.
7. **If devices are provided for the connection of dust extraction and collection facilities, ensure these are connected and properly used.** Use of dust collection can reduce dust-related hazards.

#### Power tool use and care

1. **Do not force the power tool. Use the correct power tool for your application.** The correct power tool will do the job better and safer at the rate for which it was designed.
2. **Do not use the power tool if the switch does not turn it on and off.** Any power tool that cannot be controlled with the switch is dangerous and must be repaired.
3. **Disconnect the plug from the power source and/or the battery pack from the power tool before making any adjustments, changing accessories, or storing power tools.** Such preventive safety measures reduce the risk of starting the power tool accidentally.

#### Service

1. **Have your power tool serviced by a qualified repair person using only identical replacement parts.** This will ensure that the safety of the power tool is maintained.
2. **Follow instruction for lubricating and changing accessories.**
3. **Keep handles dry, clean and free from oil and grease.**

### Cutter safety warnings

#### Cut-off machine safety warnings

1. **The guard provided with the tool must be securely attached to the power tool and positioned for maximum safety, so the least amount of wheel is exposed towards the operator. Position yourself and bystanders away from the plane of the rotating wheel.** The guard helps to protect operator from broken wheel fragments and accidental contact with wheel.
2. **Use only diamond cut-off wheels for your power tool.** Just because an accessory can be attached to your power tool, it does not assure safe operation.
3. **The rated speed of the accessory must be at least equal to the maximum speed marked on the power tool.** Accessories running faster than their rated speed can break and fly apart.
4. **Wheels must be used only for recommended applications. For example: do not grind with the side of cut-off wheel.** Abrasive cut-off wheels are intended for peripheral grinding, side forces applied to these wheels may cause them to shatter.
5. **Always use undamaged wheel flanges that are of correct diameter for your selected wheel.** Proper wheel flanges support the wheel thus reducing the possibility of wheel breakage.
6. **The outside diameter and the thickness of your accessory must be within the capacity rating of your power tool.** Incorrectly sized accessories cannot be adequately guarded or controlled.

7. **The arbour hole size of wheels and flanges must properly fit the spindle of the power tool.** Wheels and flanges with arbour holes that do not match the mounting hardware of the power tool will run out of balance, vibrate excessively and may cause loss of control.
8. **Do not use damaged wheels. Before each use, inspect the wheels for chips and cracks. If power tool or wheel is dropped, inspect for damage or install an undamaged wheel. After inspecting and installing the wheel, position yourself and bystanders away from the plane of the rotating wheel and run the power tool at maximum no load speed for one minute.** Damaged wheels will normally break apart during this test time.
9. **Wear personal protective equipment. Depending on application, use face shield, safety goggles or safety glasses. As appropriate, wear dust mask, hearing protectors, gloves and shop apron capable of stopping small abrasive or workpiece fragments.** The eye protection must be capable of stopping flying debris generated by various operations. The dust mask or respirator must be capable of filtrating particles generated by your operation. Prolonged exposure to high intensity noise may cause hearing loss.
10. **Keep bystanders a safe distance away from work area. Anyone entering the work area must wear personal protective equipment.** Fragments of workpiece or of a broken wheel may fly away and cause injury beyond immediate area of operation.
11. **Hold the power tool by insulated gripping surfaces only, when performing an operation where the cutting accessory may contact hidden wiring or its own cord.** Cutting accessory contacting a "live" wire may make exposed metal parts of the power tool "live" and could give the operator an electric shock.
12. **Position the cord clear of the spinning accessory.** If you lose control, the cord may be cut or snagged and your hand or arm may be pulled into the spinning wheel.
13. **Never lay the power tool down until the accessory has come to a complete stop.** The spinning wheel may grab the surface and pull the power tool out of your control.
14. **Do not run the power tool while carrying it at your side.** Accidental contact with the spinning accessory could snag your clothing, pulling the accessory into your body.
15. **Regularly clean the power tool's air vents.** The motor's fan will draw the dust inside the housing and excessive accumulation of powdered metal may cause electrical hazards.
16. **Do not operate the power tool near flammable materials.** Sparks could ignite these materials.

## Kickback and related warnings

Kickback is a sudden reaction to a pinched or snagged rotating wheel. Pinching or snagging causes rapid stalling of the rotating wheel which in turn causes the uncontrolled power tool to be forced in the direction opposite of the wheel's rotation at the point of the binding.

For example, if an abrasive wheel is snagged or pinched by the workpiece, the edge of the wheel that is entering into the pinch point can dig into the surface of the material causing the wheel to climb out or kick out. The wheel may either jump toward or away from the operator, depending on direction of the wheel's movement at the point of pinching. Abrasive wheels may also break under these conditions.

Kickback is the result of power tool misuse and/or incorrect operating procedures or conditions and can be avoided by taking proper precautions as given below.

1. **Maintain a firm grip on the power tool and position your body and arm to allow you to resist kickback forces. Always use auxiliary handle, if provided, for maximum control over kickback or torque reaction during start-up.** The operator can control torque reactions or kickback forces, if proper precautions are taken.
2. **Never place your hand near the rotating accessory.** Accessory may kickback over your hand.
3. **Do not position your body in line with the rotating wheel.** Kickback will propel the tool in direction opposite to the wheel's movement at the point of snagging.
4. **Use special care when working corners, sharp edges etc. Avoid bouncing and snagging the accessory.** Corners, sharp edges or bouncing have a tendency to snag the rotating accessory and cause loss of control or kickback.
5. **Do not attach a saw chain, woodcarving blade, segmented diamond wheel with a peripheral gap greater than 10 mm or toothed saw blade.** Such blades create frequent kickback and loss of control.
6. **Do not "jam" the wheel or apply excessive pressure. Do not attempt to make an excessive depth of cut.** Overstressing the wheel increases the loading and susceptibility to twisting or binding of the wheel in the cut and the possibility of kickback or wheel breakage.
7. **When wheel is binding or when interrupting a cut for any reason, switch off the power tool and hold the power tool motionless until the wheel comes to a complete stop. Never attempt to remove the wheel from the cut while the wheel is in motion otherwise kickback may occur.** Investigate and take corrective action to eliminate the cause of wheel binding.
8. **Do not restart the cutting operation in the workpiece. Let the wheel reach full speed and carefully re-enter the cut.** The wheel may bind, walk up or kickback if the power tool is restarted in the workpiece.
9. **Support panels or any oversized workpiece to minimize the risk of wheel pinching and kickback.** Large workpieces tend to sag under their own weight. Supports must be placed under the workpiece near the line of cut and near the edge of the workpiece on both sides of the wheel.

10. Use extra caution when making a “pocket cut” into existing walls or other blind areas. The protruding wheel may cut gas or water pipes, electrical wiring or objects that can cause kickback.

#### Additional Safety Warnings:

1. Before using a segmented diamond wheel, make sure that the diamond wheel has the peripheral gap between segments of 10 mm or less, only with a negative rake angle.
2. Never attempt to cut with the tool held upside down in a vise. This can lead to serious accidents, because it is extremely dangerous.
3. Some material contains chemicals which may be toxic. Take caution to prevent dust inhalation and skin contact. Follow material supplier safety data.
4. Store wheels as per manufacturer recommendations. Improper storage may damage the wheels.

## SAVE THESE INSTRUCTIONS.

**⚠WARNING:** DO NOT let comfort or familiarity with product (gained from repeated use) replace strict adherence to safety rules for the subject product. MISUSE or failure to follow the safety rules stated in this instruction manual may cause serious personal injury.

## FUNCTIONAL DESCRIPTION

**⚠CAUTION:** Always be sure that the tool is switched off and unplugged before adjusting or checking function on the tool.

### Adjusting the depth of cut

Loosen the wing bolt on the depth guide and move the base up or down. At the desired depth of cut, secure the base by tightening the wing bolt.

► Fig.1: 1. Wing bolt 2. Base

**⚠CAUTION:** After adjusting depth of cut, always tighten the wing bolt securely.

### Sighting

Align the edge of the front of the base with your cutting line on the workpiece.

► Fig.2

### Switch action

**⚠CAUTION:** Before plugging in the tool, always check to see that the switch trigger actuates properly and returns to the “OFF” position when released.

► Fig.3: 1. Switch trigger 2. Lock button / Lock-off button

### For tool with lock button

To start the tool, simply pull the switch trigger. Release the switch trigger to stop. For continuous operation, pull the switch trigger, push in the lock button and then release the switch trigger. To stop the tool from the locked position, pull the trigger fully, then release it.

**⚠CAUTION:** Switch can be locked in “ON” position for ease of operator comfort during extended use. Apply caution when locking tool in “ON” position and maintain firm grasp on tool.

### For tool with lock-off button

To prevent the switch trigger from being accidentally pulled, a lock-off button is provided. To start the tool, press the lock-off button and pull the switch trigger. Release the switch trigger to stop.

**⚠WARNING:** NEVER use the tool if it runs when you simply pull the switch trigger without pressing the lock-off button. A switch in need of repair may result in unintentional operation and serious personal injury. Return tool to a Makita service center for proper repairs BEFORE further usage.

**⚠WARNING:** NEVER defeat the lock-off button by taping down or some other means. A switch with a negated lock-off button may result in unintentional operation and serious personal injury.

**⚠CAUTION:** Do not pull the switch trigger hard without pressing in the lock-off button. This can cause switch breakage.

### For tool without lock button / lock-off button

To start the tool, simply pull the switch trigger. Release the switch trigger to stop.

## ASSEMBLY

**⚠CAUTION:** Always be sure that the tool is switched off and unplugged before carrying out any work on the tool.

### Removing or installing diamond wheel (optional accessory)

**⚠CAUTION:** Always be sure that the tool is switched off and unplugged before installing or removing the diamond wheel.

**⚠CAUTION:** BE SURE TO TIGHTEN THE HEX BOLT SECURELY. Also be careful not to tighten the bolt forcibly. Slipping your hand from the hex wrench can cause a personal injury.

**⚠CAUTION:** Use only the Makita wrench and hex wrench to install or remove the wheel.

To remove the diamond wheel, hold the outer flange with the wrench and turn the hex bolt clockwise with the hex wrench. Then remove the hex bolt, outer flange and diamond wheel.

► Fig.4: 1. Wrench 2. Hex wrench 3. Diamond wheel

To install the wheel, follow the removal procedure in reverse. Always install the wheel so that the arrow on the diamond wheel points in the same direction as the arrow on the blade case. Be sure to tighten the hex bolt counterclockwise securely.

► **Fig.5:** 1. Inner flange 2. Diamond wheel 3. Outer flange 4. Hex bolt

## Hex wrench storage

► **Fig.6:** 1. Hex wrench

When not in use, store the hex wrench as shown in the figure to keep it from being lost.

## Water flow (Optional accessory)

### Only for tool with a water pipe

First, unplug the tool. Loosen the wing bolt on the depth guide and move the base down. Install the water pipe on the blade case and secure it by the screw.

Attach the vinyl tube onto the water pipe and attach the adapter on the vinyl tube to a faucet of water mains pressure. Adjust the amount of water flow by simply adjusting the water cock.

► **Fig.7:** 1. Water cock 2. Wing bolt 3. Water pipe

### Only for tool with a vinyl tube

Put the vinyl tube into the tube holder just like screwing in so that used diamond wheel cannot be obstructed or interrupted.

► **Fig.8:** 1. Tube holder 2. Vinyl tube

## OPERATION

**⚠ CAUTION: THIS TOOL SHOULD ONLY BE USED ON HORIZONTAL SURFACES.**

**⚠ CAUTION: Be sure to move the tool forward in a straight line and gently.** Forcing and exerting excessive pressure or allowing the wheel to bend, pinch or twist in the cut can cause overheating of the motor and dangerous kickback of the tool.

Hold the tool firmly. Set the base plate on the workpiece to be cut without the diamond wheel making any contact. Then turn the tool on and wait until the diamond wheel attains full speed. Now simply move the tool forward over the workpiece surface, keeping it flat and advancing smoothly until the cutting is completed. Keep your cutting line straight and your speed of advance uniform.

► **Fig.9**

## MAINTENANCE

**⚠ CAUTION: Always be sure that the tool is switched off and unplugged before attempting to perform inspection or maintenance.**

**NOTICE: Never use gasoline, benzine, thinner, alcohol or the like. Discoloration, deformation or cracks may result.**

### After use

Clean the dust inside of the tool by running the tool at an idle for a while. Brush off accumulation of dust on the base. Accumulation of dust in the motor or on the base may cause a malfunction of the tool.

### Replacing carbon brushes

Check the carbon brushes regularly. Replace them when they wear down to the limit mark. Keep the carbon brushes clean and free to slip in the holders. Both carbon brushes should be replaced at the same time. Use only identical carbon brushes.

► **Fig.10:** 1. Limit mark

Use a screwdriver to remove the brush holder caps. Take out the worn carbon brushes, insert the new ones and secure the brush holder caps.

► **Fig.11:** 1. Screwdriver 2. Brush holder cap

To maintain product SAFETY and RELIABILITY, repairs, any other maintenance or adjustment should be performed by Makita Authorized or Factory Service Centers, always using Makita replacement parts.



## 规格

型号:	<b>M4100</b>
砂轮直径	110 mm
内孔直径	20 mm
最大砂轮厚度	2 mm
最大切割能力	32 mm
额定速度 (n)	13,000/min
长度	227 mm
净重	2.9 kg
安全等级	□/II

- 生产者保留变更规格不另行通知之权利。
- 规格可能因销往国家之不同而异。
- 重量符合EPTA-Procedure 01/2003

## 符号

以下显示本设备可能会使用的符号。在使用工具之前，请务必理解其含义。



阅读使用说明书。



II类工具



佩带安全眼镜。



仅限于欧盟国家  
请勿将电气设备与家庭普通废弃物一同丢弃！请务必遵守欧洲关于废弃电子电气设备的指令，根据各国法律法规执行。达到使用寿命的电气设备必须分类回收至符合环境保护规定的再循环机构。

## 用途

本工具用于对砖块、水泥和石头进行切割。

## 电源

本工具只可连接电压与铭牌所示电压相同的电源，且仅可使用单相交流电源。本工具双重绝缘，因此也可用于不带接地线的插座。

## 电动工具通用安全警告

**警告：** 阅读所有警告和所有说明。不遵照以下警告和说明会导致电击、着火和/或严重伤害。

## 保存所有警告和说明书以备查阅。

在所有下列的警告中术语“电动工具”指市电驱动（有线）电动工具或电池驱动（无线）电动工具。

### 工作场地的安全

1. 保持工作场地清洁和明亮。混乱和黑暗的场地会引发事故。
2. 不要在易爆环境，如有易燃液体、气体或粉尘的环境下操作电动工具。电动工具产生的火花会点燃粉尘或气体。
3. 让儿童和旁观者离开后操作电动工具。注意力不集中会使操作者失去对工具的控制。

### 电气安全

1. 电动工具插头必须与插座相配。绝不能以任何方式改装插头。需接地的电动工具不能使用任何转换插头。未经改装的插头和相配的插座将减少电击危险。
2. 避免人体接触接地表面，如管道、散热片和冰箱。如果你身体接地会增加电击危险。

3. 不得将电动工具暴露在雨中或潮湿环境中。水进入电动工具将增加电击危险。
4. 不得滥用电线。绝不用电线搬运、拉动电动工具或拔出其插头。使电线远离热源、油、锐边或运动部件。受损或缠绕的软线会增加电击危险。
5. 当在户外使用电动工具时，使用适合户外使用的外接软线。适合户外使用的软线将减少电击危险。
6. 如果在潮湿环境下操作电动工具是不可以避免的，应使用剩余电流动作保护器（RCD）。使用RCD可减少电击危险。
7. 始终建议通过额定剩余电流为30 mA或以下的RCD来使用电源。

### 人身安全

1. 保持警觉，当操作电动工具时关注所从事的操作并保持清醒。当你感到疲倦，或在有药物、酒精或治疗反应时，不要操作电动工具。在操作电动工具时瞬间的疏忽会导致严重人身伤害。
2. 使用个人防护装置。始终佩戴护目镜。安全装置，诸如适当条件下使用防尘面具、防滑安全鞋、安全帽、听力防护等装置能减少人身伤害。
3. 防止意外启动。确保开关在连接电源和/或电池盒、拿起或搬运工具时处于关闭位置。手指放在已接通电源的开关上或开关处于接通时插入插头可能会导致危险。
4. 在电动工具接通之前，拿掉所有调节钥匙或扳手。遗留在电动工具旋转零件上的扳手或钥匙会导致人身伤害。
5. 手不要伸展得太长。时刻注意立足点和身体平衡。这样在意外情况下能很好地控制电动工具。
6. 着装适当。不要穿宽松衣服或佩戴饰品。让衣服、手套和头发远离运动部件。宽松衣服、配饰或长发可能会卷入运动部件中。
7. 如果提供了与排屑、集尘设备连接用的装置，要确保他们连接完好且使用得当。使用这些装置可减少尘屑引起的危险。

### 电动工具使用和注意事项

1. 不要滥用电动工具，根据用途使用适当的电动工具。选用适当设计的电动工具会使你工作更有效、更安全。
2. 如果开关不能接通或关断工具电源，则不能使用该电动工具。不能用开关来控制的电动工具是危险的且必须进行修理。

3. 在进行任何调节、更换附件或贮存电动工具之前，必须从电源上拔掉插头和/或使电池盒与工具脱开。这种防护性措施将减少工具意外起动的危险。
4. 将闲置不用的电动工具贮存在儿童所及范围之外，并且不要让不熟悉电动工具或对这些说明不了解的人操作电动工具。电动工具在未经培训的用户手中是危险的。
5. 保养电动工具。检查运动件是否调整到位或卡住，检查零件破损情况和影响电动工具运行的其他状况。如有损坏，电动工具应在使用前修理好。许多事故由维护不良的电动工具引发。
6. 保持切削刀具锋利和清洁。保养良好的有锋利切削刃的刀具不易卡住而且容易控制。
7. 按照使用说明书，考虑作业条件和进行的作业来使用电动工具、附件和工具的刀头等。将电动工具用于那些与其用途不符的操作可能会导致危险。

### 维修

1. 将你的电动工具送交专业维修人员，使用同样的备件进行修理。这样将确保所维修的电动工具的安全性。
2. 上润滑油及更换附件时请遵循本说明书指示。
3. 手柄务必保持干燥、清洁、无油（脂）。

## 切割机安全警告

### 切割机器使用安全警告

1. 随工具附带的砂轮罩必须牢固安装到电动工具上并放置在最为安全的位置，使得砂轮外露的部分尽可能地少。使您自己和旁观者远离旋转的砂轮。砂轮罩可防止操作者被砂轮碎片划伤或意外接触到砂轮。
2. 仅使用您所用电工工具专用的金刚石切割砂轮。其他附件虽然可安装到电动工具上，但无法确保操作安全。
3. 附件的额定速度必须至少等同于电动工具上标示的最大速度。当运转速度大于额定速度时，附件可能会破裂并飞出。
4. 仅可将砂轮用于推荐的应用情况。例如：请勿用切割砂轮的侧面进行磨削。切割砂轮用于进行外围磨削，对这些砂轮应用侧力可能会导致其破碎。
5. 请务必使用未损坏的砂轮法兰，直径应符合您所选的砂轮。正确的砂轮法兰可减少砂轮破裂的危险。

- 附件的外径和厚度必须在工具的额定能力之内。尺寸不正确的附件将无法安全操控。
- 砂轮和法兰的轴孔尺寸必须与电动工具的主轴匹配。与电动工具的安装硬件不匹配的砂轮和法兰（带轴孔）将失去平衡，振动过度并可能导致失控。
- 请勿使用损坏的砂轮。每次使用前，请检查砂轮有无碎片和裂缝。如果电动工具或砂轮掉落，请检查有无损坏或重新安装一个无损坏的砂轮。检查和安装了砂轮之后，请使旁观者以及您自己远离旋转的砂轮，并以最大空载速度运行电动工具一分钟。损坏的砂轮通常会在此测试期间破裂。
- 请穿戴个人劳防用品。根据应用情况，请使用面罩、安全护目镜或安全眼镜。根据情况佩带可防止较小的砂磨碎片或工件碎片的防尘面罩、耳罩、手套和车间用的围裙。护目镜必须具备可以防止多种操作所产生的飞溅的碎片伤害到您的能力。防尘面罩或呼吸器必须具备可过滤操作中产生的微粒的能力。长时间的高强度噪音可能会损伤您的听力。
- 使旁观者远离工作区域，保持一定的安全距离。所有进入工作区域的人员必须穿戴个人劳防用品。工件的碎片或破损的砂轮可能会飞溅到操作区域以外并导致人身伤害。
- 当进行作业时切割附件可能会接触到隐藏的电线或自身的电线，请仅握住工具的绝缘抓握表面。切割附件接触到“带电”的电线时，电动工具上曝露的金属部分可能也会“带电”，并使操作者触电。
- 勿使工具导线靠近旋转附件。如果未加控制，则线头可能会被切割到或卡住，从而可能使您的手或手臂被拖入旋转砂轮中。
- 在附件完全停止之前切勿将工具放下。旋转砂轮可能会碰撞地面或工作台面而导致工具失控。
- 您身边携带电动工具时请勿运行工具。防止因不小心接触到旋转附件而导致衣物被卷入，甚至伤及身体。
- 请定期清洁工具的通风口。电机的风扇会将灰尘带入外壳，过多的金属粉末累积会导致电气危害。
- 请勿在可燃物附近运行电动工具。火花可能会点燃这些物品。

## 反弹和相关的警告

反弹是正在旋转的砂轮发生卡滞时突然产生的反作用力。卡滞会导致旋转砂轮快速停止，从而导致在卡滞点处对失控的工具产生与砂轮旋转方向相反的作用力。

例如，如果工件使得砂轮卡滞，则进入卡滞点的砂轮边缘将进入工件材料的表面，导致砂轮跳出或弹出。根据砂轮在卡滞点的运动方向，砂轮可能会跳向或远离操作者。在这种情况下，砂轮也可能会破裂。

电动工具误操作和 / 或不正确的操作步骤或操作条件将导致反弹，遵守以下所述的注意事项即可避免。

- 请牢固紧握电动工具的把手，调整身体和手臂位置以防止反弹力。如果提供了辅助手柄，请务必使用，以在启动时最大程度地控制反弹或转矩反作用力。如果正确遵守注意事项，操作者可控制转矩反作用力或反弹力。
- 切勿将手靠近旋转的附件。附件可能会反弹到您手上。
- 请勿与旋转的砂轮成一直线站立。反弹会在卡滞点处以与砂轮运动方向相反的力作用于砂轮。
- 当处理边角、锐利的边缘等处时请特别小心。避免使附件跳跃和卡滞。边角、锐利的边缘或附件发生跳跃可能会使旋转的附件被钩住并导致工具失控或反弹。
- 请勿安装锯链、木雕锯片、外围间隙大于10 mm的扇形金刚石砂轮或齿状锯片。这些锯片会发生频繁的反弹并导致工具失控。
- 请勿“挤压”砂轮或对其过度施压。请勿试图切割过深。对砂轮过度施压会使负荷增加，使砂轮在切割时易于扭曲或卡滞，也使发生反弹或砂轮破裂的可能性增大。
- 当砂轮卡滞或因任何原因中断切割操作时，请关闭电动工具并将工具保持不动，直至砂轮完全停止。当砂轮还在运动中时，切勿试图将砂轮从工件中取出，否则可能会造成反弹。研究并采取正确的措施以避免砂轮卡滞。
- 请勿在工件中重新启动切割操作。请等到砂轮到达全速后再小心地重新进行切割。如果电动工具在工件中重新启动，则砂轮可能会卡滞、移动或反弹。

9. 请支撑面板或其他大型工件以最大限度地降低砂轮卡滞和反弹的可能。大型工件会因自身的重量而下陷。必须在工件下面靠近切割线和砂轮两侧工件边缘放置支撑件。
10. 当在墙壁或其他盲区进行“袖珍切割”时请尤其小心。凸出的砂轮可能会切割到气管或水管、电线或其他物体，从而导致反弹。

#### 附加安全警告：

1. 使用扇形金钢石砂轮之前，请确保金钢石砂轮节块间的外围间隙为**10 mm**或更小，并且只具有一个负倾角。
2. 切勿试图使用虎钳将工具上下颠倒进行切割。这样做非常危险，可能会导致严重的事故。
3. 某些材料含有有毒化学物质。小心不要吸入粉尘，并避免皮肤接触。遵循材料供应商的安全提示。
4. 遵照制造商的推荐存放砂轮。存放不正确可能会损坏砂轮。

### 请保留此说明书。

**警告：** 请勿为图方便或因对产品足够熟悉（由于重复使用而获得的经验）而不严格遵循相关产品安全规则。使用不当或不遵循使用说明书中的安全规则会导致严重的人身伤害。

## 功能描述

**小心：** 在调节或检查工具功能之前，请务必关闭工具电源开关并拔下电源插头。

### 调节切割深度

松开深度导板上的蝶形螺栓，向上或向下移动基座。在所需的切割深度处，拧紧蝶形螺栓以紧固基座。

► **图片1：** 1. 蝶形螺栓 2. 基座

**小心：** 调节了切割深度之后，请务必紧固蝶形螺栓。

### 对齐

将切割片基座的前缘对齐工件上的切割线。

► **图片2**

## 开关操作

**小心：** 插上工具电源插头之前，请务必确认开关扳机能够正常工作，松开时能回到“OFF”（关闭）位置。

► **图片3：** 1. 开关扳机 2. 锁定按钮 / 锁止按钮

### 对于带锁定按钮的工具

启动工具时，只要扣动开关扳机即可。松开开关扳机工具即停止。连续操作时，请扣动开关扳机并按下锁定按钮，然后松开开关扳机。要从锁定位置停止工具时，可将开关扳机扣到底，然后松开。

**小心：** 长时间使用时，可将开关锁定在“ON”（开启）位置，使操作更加舒适。将工具锁定在“ON”（开启）位置时请小心，务必牢固抓握工具。

### 对于带锁止按钮的工具

为避免使用者不小心扣动开关扳机，本工具采用锁止按钮。要启动工具时，按下锁止按钮，然后扣动开关扳机即可。松开开关扳机工具即停止。

**警告：** 如果当您只是扣动开关扳机而没有按下锁止按钮时，工具即开始运行，则切勿使用此工具。在开关需要维修的情况下使用工具时可能会出现意外运行的情况并导致严重的人身伤害。在进一步使用该工具之前，请将其送回Makita（牧田）维修中心进行正确的修理。

**警告：** 切勿通过封住锁止按钮或其他方法来弃用锁止按钮。在弃用开关锁止按钮的情况下使用工具时可能会出现意外运行的情况并导致严重的人身伤害。

**小心：** 在没有按下锁止按钮的情况下请勿用力扣动开关扳机。这样可能导致开关破损。

### 对于不带锁定按钮 / 锁止按钮的工具

启动工具时，只要扣动开关扳机即可。松开开关扳机工具即停止。

## 装配

**⚠小心：** 对工具进行任何装配操作前请务必确认机器已关闭且已拔下电源插头。

### 安装或拆卸金刚石砂轮（选购附件）

**⚠小心：** 在安装或拆下金刚石砂轮之前，请务必确认工具开关已关闭并且已将电源插头拔下。

**⚠小心：** 请务必拧紧六角螺栓。同时，小心勿强行拧紧螺栓。六角扳手从手中滑出可能会导致人身伤害。

**⚠小心：** 请仅使用牧田扳手和六角扳手来安装或拆卸砂轮。

拆下金刚石砂轮时，用扳手固定住外法兰盘，并用六角扳手按顺时针方向转动六角螺栓。然后拆下六角螺栓、外法兰盘和金刚石砂轮。

► **图片4：** 1. 扳手 2. 六角扳手 3. 金刚石砂轮

安装砂轮时，可按与拆卸时相反的步骤进行。安装砂轮时，使砂轮上的箭头与锯片基座上的箭头指向同一个方向。请确保逆时针拧紧六角螺栓。

► **图片5：** 1. 内法兰盘 2. 金刚石砂轮 3. 外法兰盘 4. 六角螺栓

### 六角扳手的存放

► **图片6：** 1. 六角扳手

不使用时，请如图所示贮存六角扳手以防丢失。

### 水流装置（选购附件）

#### 仅限于带有水管的工具

首先，请拔下工具的电源插头。松开深度导板上的蝶形螺栓，向下移动基座。将水管安装在切割片基座上并用螺丝固定。

将乙烯管垫在水管上，然后在上面安装适配器，用作可调节主水压的水龙头。只需调节水旋塞便可调节水流量。

► **图片7：** 1. 水旋塞 2. 蝶形螺栓 3. 水管

#### 仅限于带有乙烯管的工具

以旋拧的方式将乙烯管置入支架，以免金刚石砂轮被阻塞或被中断。

► **图片8：** 1. 水管支架 2. 乙烯管

## 操作

**⚠小心：** 本工具应仅在水平表面上使用。

**⚠小心：** 请确保慢慢地以直线向前移动工具。施加过度压力会导致砂轮弯曲、收缩或扭曲，造成电机过热，并引发工具反弹造成危险。

请牢握本工具。将基板放在要切割的工件上，金刚石砂轮不得与工件有任何接触。然后启动工具并等待，直至金刚石砂轮达到全速运转时再进行操作。现在，您只需在工件表面向前移动本工具，使其平稳地保持平坦前进，直至切割操作完成即可。请保持切割线路笔直，并且锯片前进的速度保持一致。

► **图片9**

## 保养

**⚠小心：** 检查或保养工具之前，请务必关闭工具电源开关并拔下插头。

**注意：** 切勿使用汽油、苯、稀释剂、酒精或类似物品清洁工具。否则可能会导致工具变色、变形或出现裂缝。

## 使用后

怠速运行工具一段时间以清理工具内的灰尘。刷掉基座上聚集的灰尘。电机中或基座上聚集的灰尘可能导致工具故障。

## 更换碳刷

定期检查碳刷。

在碳刷磨损到界限磨损线时进行更换。请保持碳刷清洁并使其在碳刷夹内能自由滑动。两个碳刷应同时替换。请仅使用相同的碳刷。

► **图片10：** 1. 界限磨损线

使用螺丝起子拆下碳刷夹盖。取出已磨损的碳刷，插入新的碳刷，然后紧固碳刷夹盖。

► **图片11：** 1. 螺丝起子 2. 碳刷夹盖

为了保证产品的安全与可靠性，维修、任何其他维修保养或调节需由Makita（牧田）授权的或工厂维修服务中心完成。务必使用Makita（牧田）的替换部件。

## SPEKIFIKASI

Model:	M4100
Diameter roda	110 mm
Diameter lubang	20 mm
Ketebalan roda maks.	2 mm
Kapasitas pemotongan maks.	32 mm
Kecepatan terukur (n)	13.000 min <sup>-1</sup>
Panjang keseluruhan	227 mm
Berat bersih	2,9 kg
Kelas keamanan	□/II

- Karena kesinambungan program penelitian dan pengembangan kami, spesifikasi yang disebutkan di sini dapat berubah tanpa pemberitahuan.
- Spesifikasi dapat berbeda dari satu negara ke negara lainnya.
- Berat menurut Prosedur EPTA 01/2003

### Simbol

Berikut ini adalah simbol-simbol yang dapat digunakan pada peralatan ini. Pastikan Anda memahami arti masing-masing simbol sebelum menggunakan peralatan.



Baca petunjuk penggunaan.



ISOLASI GANDA



Gunakan kaca mata pengaman.



Hanya untuk negara-negara Uni Eropa  
Jangan membuang peralatan listrik atau baterai bersama-sama dengan bahan limbah rumah tangga! Dengan memerhatikan Petunjuk Eropa, tentang Limbah Peralatan Listrik dan Elektronik serta pelaksanaannya sesuai dengan ketentuan hukum nasional, peralatan listrik yang telah habis umur pakainya harus dikumpulkan secara terpisah dan dikembalikan ke fasilitas daur ulang yang kompatibel secara lingkungan.

### Penggunaan

Mesin ini digunakan untuk pemotongan pada batu bata, beton dan batu.

### Pasokan daya

Mesin harus terhubung dengan pasokan daya listrik yang bertegangan sama dengan yang tertera pada pelat nama, dan hanya dapat dijalankan dengan listrik AC fase tunggal. Mesin diisolasi ganda dan oleh sebab itu dapat dihubungkan dengan soket tanpa kabel.

### Peringatan keselamatan umum mesin listrik

**⚠ PERINGATAN:** Bacalah semua peringatan keselamatan dan semua petunjuk. Kelalaian mematuhi peringatan dan petunjuk dapat menyebabkan sengatan listrik, kebakaran dan/atau cedera serius.

### Simpanlah semua peringatan dan petunjuk untuk acuan di masa depan.

Istilah "mesin listrik" dalam semua peringatan mengacu pada mesin listrik yang dijalankan dengan sumber listrik jala-jala (berkabel) atau baterai (tanpa kabel).

#### Keselamatan tempat kerja

1. **Jaga tempat kerja selalu bersih dan berpenerangan cukup.** Tempat kerja yang berantakan dan gelap mengundang kecelakaan.
2. **Jangan gunakan mesin listrik dalam lingkungan yang mudah meledak, misalnya jika ada cairan, gas, atau debu yang mudah menyala.** Mesin listrik menimbulkan bunga api yang dapat menyala debu atau uap tersebut.
3. **Jauhkan anak-anak dan orang lain saat menggunakan mesin listrik.** Bila perhatian terpecah, anda dapat kehilangan kendali.

#### Keamanan Kelistrikan

1. **Steker mesin listrik harus cocok dengan stopkontak. Jangan sekali-kali mengubah steker dengan cara apa pun. Jangan menggunakan steker adaptor dengan mesin listrik terbumi (dibumikan).** Steker yang tidak diubah dan stopkontak yang cocok akan mengurangi risiko sengatan listrik.

2. **Hindari sentuhan tubuh dengan permukaan terbumi atau yang dibumikan seperti pipa, radiator, kompor, dan kulkas.** Risiko sengatan listrik akan bertambah jika tubuh Anda terbumikan atau dibumikan.
3. **Jangan membiarkan mesin listrik kehujanan atau kebasahan.** Air yang masuk ke dalam mesin listrik akan meningkatkan risiko sengatan listrik.
4. **Jangan menyalahgunakan kabel.** Jangan sekali-kali menggunakan kabel untuk membawa, menarik, atau mencabut mesin listrik dari stopkontak. Jauhkan kabel dari panas, minyak, tepian tajam, atau bagian yang bergerak. Kabel yang rusak atau kusut memperbesar risiko sengatan listrik.
5. **Bila menggunakan mesin listrik di luar ruangan, gunakan kabel ekstensi yang sesuai untuk penggunaan di luar ruangan.** Penggunaan kabel yang sesuai untuk penggunaan luar ruangan mengurangi risiko sengatan listrik.
6. **Jika mengoperasikan mesin listrik di lokasi lembap tidak terhindarkan, gunakan pasokan daya yang dilindungi peranti imbasan arus (residual current device - RCD).** Penggunaan RCD mengurangi risiko sengatan listrik.
7. **Penggunaan pasokan daya melalui RCD dengan kapasitas arus sisa 30 mA atau kurang selalu dianjurkan.**
6. **Kenakan pakaian dengan baik.** Jangan memakai pakaian yang kedodoran atau perhiasan. Jaga jarak antara rambut, pakaian, dan sarung tangan Anda dengan bagian mesin yang bergerak. Pakaian kedodoran, perhiasan, atau rambut panjang dapat tersangkut pada bagian yang bergerak.
7. **Jika tersedia fasilitas untuk menghisap dan mengumpulkan debu, pastikan fasilitas tersebut terhubung listrik dan digunakan dengan baik.** Penggunaan pembersih debu dapat mengurangi bahaya yang terkait dengan debu.

#### Penggunaan dan pemeliharaan mesin listrik

1. **Jangan memaksa mesin listrik.** Gunakan mesin listrik yang tepat untuk keperluan Anda. Mesin listrik yang tepat akan menuntaskan pekerjaan dengan lebih baik dan aman pada kecepatan sesuai rancangannya.
2. **Jangan gunakan mesin listrik jika sakelar tidak dapat menyalakan dan mematikannya.** Mesin listrik yang tidak dapat dikendalikan dengan sakelarnya adalah berbahaya dan harus diperbaiki.
3. **Cabut steker dari sumber listrik dan/atau paket baterai dari mesin listrik sebelum melakukan penyetelan, penggantian aksesoris, atau menyimpan mesin listrik.** Langkah keselamatan preventif tersebut mengurangi risiko hidupnya mesin secara tak sengaja.
4. **Simpan mesin listrik jauh dari jangkauan anak-anak dan jangan biarkan orang yang tidak paham mengenai mesin listrik tersebut atau petunjuk ini menggunakan mesin listrik.** Mesin listrik sangat berbahaya di tangan pengguna yang tak terlatih.
5. **Rawatlah mesin listrik.** Periksa apakah ada bagian bergerak yang tidak lurus atau macet, bagian yang pecah dan kondisi lain yang dapat memengaruhi penggunaan mesin listrik. Jika rusak, perbaiki dahulu mesin listrik sebelum digunakan. Banyak kecelakaan disebabkan oleh kurangnya pemeliharaan mesin listrik.
6. **Jaga agar mesin pemotong tetap tajam dan bersih.** Mesin pemotong yang terawat baik dengan mata pemotong yang tajam tidak mudah macet dan lebih mudah dikendalikan.
7. **Gunakan mesin listrik, aksesoris, dan mata mesin, dll. sesuai dengan petunjuk ini, dengan memperhitungkan kondisi kerja dan jenis pekerjaan yang dilakukan.** Penggunaan mesin listrik untuk penggunaan yang lain dari peruntukan dapat menimbulkan situasi berbahaya.

#### Servis

1. **Berikan mesin listrik untuk diperbaiki hanya kepada oleh teknisi yang berkualifikasi dengan menggunakan hanya suku cadang pengganti yang serupa.** Hal ini akan menjamin terjaganya keamanan mesin listrik.
2. **Patuhi petunjuk pelumasan dan penggantian aksesoris.**
3. **Jagalah agar gagang kering, bersih, dan bebas dari minyak dan gemuk.**

#### Keselamatan Diri

1. **Jaga kewaspadaan, perhatikan pekerjaan Anda dan gunakan akal sehat bila menggunakan mesin listrik.** Jangan menggunakan mesin listrik saat Anda lelah atau di bawah pengaruh obat bius, alkohol, atau obat. Sekejap saja lalai saat menggunakan mesin listrik dapat menyebabkan cedera badan serius.
2. **Gunakan alat pelindung diri.** Selalu gunakan pelindung mata. Peralatan pelindung seperti masker debu, sepatu pengaman anti-selip, helm pengaman, atau pelindung telinga yang digunakan untuk kondisi yang sesuai akan mengurangi risiko cedera badan.
3. **Cegah penyalaan yang tidak disengaja.** Pastikan bahwa sakelar berada dalam posisi mati (off) sebelum menghubungkan mesin ke sumber daya dan/atau paket baterai, atau mengangkat atau membawanya. Membawa mesin listrik dengan jari Anda pada sakelarnya atau mengalirkan listrik pada mesin listrik yang sakelarnya hidup (on) akan mengundang kecelakaan.
4. **Lepaskan kunci-kunci penyetel sebelum menghidupkan mesin listrik.** Kunci-kunci yang masih terpasang pada bagian mesin listrik yang berputar dapat menyebabkan cedera.
5. **Jangan meraih terlalu jauh.** Jagalah pijakan dan keseimbangan sepanjang waktu. Hal ini memungkinkan kendali yang lebih baik atas mesin listrik dalam situasi yang tidak diharapkan.

## Peringatan keselamatan pemotong

### Peringatan keselamatan mesin pemotong

- 1. Pelindung yang disertakan dengan mesin harus terpasang dengan kencang pada mesin listrik dan diposisikan untuk keselamatan maksimal, sehingga bagian roda yang menghadap ke operator menjadi minimal. Posisikan diri Anda dan orang lain jauh dari bidang roda yang berputar.** Pelindung membantu melindungi operator dari pecahan roda yang rusak dan kontak tanpa sengaja dengan roda.
- 2. Gunakan hanya roda pemotong intan untuk mesin listrik Anda.** Hanya karena aksesoris tersebut bisa dipasang pada mesin listrik Anda, bukan berarti menjamin keselamatan dalam pengoperasian.
- 3. Kecepatan terukur pada aksesoris setidaknya harus sama dengan kecepatan maksimum yang tertera pada mesin listrik.** Aksesoris yang bekerja lebih cepat dari kecepatan terukurnya bisa saja pecah dan terlempar.
- 4. Roda harus digunakan hanya untuk penggunaan yang disarankan. Misalnya: jangan menggerinda dengan bagian samping roda pemotong.** Roda pemotong abrasif ditujukan untuk pekerjaan gerinda sisi luar, gaya dari samping pada roda dapat menyebabkan roda pecah.
- 5. Selalu gunakan flensa roda yang tidak rusak dengan diameter yang tepat sesuai dengan roda yang Anda pilih.** Flensa roda yang tepat akan menopang roda sehingga mengurangi kemungkinan pecahnya roda.
- 6. Diameter luar dan tebal aksesoris Anda harus berada dalam nilai kapasitas mesin listrik Anda.** Aksesoris dengan ukuran yang tidak tepat tidak bisa terlindung atau terkendali secara memadai.
- 7. Ukuran lubang arbor roda dan flensa harus benar-benar sesuai dengan spindel mesin listrik.** Roda dan flensa dengan lubang arbor yang tidak sesuai dengan perangkat keras pemasangan mesin listrik akan bekerja tidak seimbang, bergetar secara berlebihan dan dapat menyebabkan hilangnya kendali.
- 8. Jangan menggunakan roda yang rusak. Sebelum digunakan, selalu periksa roda akan adanya serpihan dan keretakan. Bila mesin listrik atau roda jatuh, periksa akan adanya kerusakan atau pasang roda yang tidak rusak.** Setelah memeriksa dan memasang roda, posisikan diri Anda dan orang di sekitar jauh dari bidang roda yang berputar dan jalankan mesin listrik pada kecepatan maksimum tanpa beban selama satu menit. Roda yang rusak secara normal akan pecah selama waktu pengujian ini.
- 9. Kenakan alat pelindung diri. Tergantung pekerjaannya, gunakan pelindung muka, kaca mata pelindung atau kaca mata pengaman. Sesuai dengan pekerjaannya, kenakan masker debu, pelindung telinga, sarung tangan, dan apron bengkel yang mampu menahan debu gerinda atau serpihan benda kerja.** Pelindung mata harus mampu menahan debu yang beterbangan, yang ditimbulkan dari berbagai jenis pekerjaan. Masker debu atau alat pernapasan harus mampu menyaring partikel yang dihasilkan dari pekerjaan Anda. Terpaan yang berkepanjangan terhadap kebisingan berintensitas tinggi bisa menyebabkan hilangnya pendengaran.
- 10. Jaga agar orang di sekitar berada dalam jarak aman yang jauh dari area kerja. Siapa pun yang masuk ke area kerja harus mengenakan alat pelindung diri.** Potongan benda kerja atau roda yang rusak bisa saja terlempar dan menyebabkan cedera di area yang dekat dengan pekerjaan.
- 11. Pegang mesin listrik hanya pada permukaan genggam yang terisolasi saat melakukan pekerjaan bila mesin pemotong mungkin bersentuhan dengan kawat tersembunyi atau kabelnya sendiri.** Aksesoris pemotong yang menyentuh kawat "hidup" dapat menyebabkan bagian logam pada mesin teraliri arus listrik dan menyengat pengguna.
- 12. Posisikan kabel agar tidak terkena aksesoris yang berputar.** Jika Anda kehilangan kendali, kabel bisa saja terpotong atau tersangkut dan tangan atau lengan Anda mungkin saja tertarik oleh roda yang berputar.
- 13. Jangan sekali-kali meletakkan mesin listrik sampai aksesorinya benar-benar berhenti.** Roda yang berputar bisa menyambar permukaan dan menarik mesin listrik di luar kendali Anda.
- 14. Jangan menyalakan mesin listrik sambil membawanya di sisi badan Anda.** Sentuhan yang tidak disengaja oleh aksesoris yang berputar bisa merobek pakaian Anda, yang akan menarik aksesoris ke arah badan Anda.
- 15. Bersihkan ventilasi udara mesin listrik secara rutin.** Kipas motor akan menarik debu ke dalam rumahannya dan serbuk logam yang terkumpul secara berlebihan bisa menyebabkan bahaya listrik.
- 16. Jangan mengoperasikan mesin listrik di dekat bahan yang mudah terbakar.** Bunga api bisa membuat bahan tersebut menyala.

### Hentikan balik dan peringatan terkait

Hentikan balik adalah reaksi yang terjadi secara tiba-tiba bila roda yang berputar terjepit, atau tersangkut. Kondisi terjadi atau tersangkut akan menyebabkan roda yang berputar akan berhenti dengan cepat yang kemudian berubah mengakibatkan terdorongnya mesin listrik yang tak terkendali ke arah yang berlawanan dengan putaran roda di titik tempat roda tersebut terjepit.



Sebagai contoh, jika roda ampelas tersangkut atau terjepit oleh benda kerja, tepi roda yang masuk ke titik tempat roda tersebut terjepit bisa menggali permukaan bahan, yang menyebabkan roda tersebut menanjak atau menghentak. Roda bisa saja melompat ke arah atau menjauhi operator, tergantung arah gerakan roda di titik tempat roda tersebut terjepit. Roda ampelas juga bisa saja pecah karena kondisi tersebut.

Hentakan balik merupakan akibat dari salah cara menggunakan mesin listrik dan/atau prosedur atau kondisi pengoperasian yang salah dan dapat dihindari dengan melakukan tindakan kewaspadaan yang tepat sebagaimana diuraikan di bawah ini.

1. **Pertahankan genggaman yang kuat pada mesin listrik serta posisi badan dan lengan Anda agar memungkinkan Anda untuk menahan gaya hentakan balik. Selalu gunakan pegangan tambahan, bila tersedia, untuk mengendalikan hentakan balik atau reaksi torsi secara maksimum selama mesin mulai dihidupkan.** Operator dapat mengendalikan reaksi torsi atau gaya hentakan balik, bila dilakukan tindakan kewaspadaan yang tepat.
2. **Jangan sekali-kali memosisikan tangan Anda di dekat aksesoris yang berputar.** Aksesoris bisa saja menghentak balik ke arah tangan Anda.
3. **Jangan menempatkan tubuh Anda sejajar dengan roda yang berputar.** Hentakan balik akan memutar mesin dalam arah yang berlawanan dengan gerakan roda di titik tempat roda tersebut tersangkut.
4. **Sangatlah berhati-hati saat bekerja di area sudut, tepi yang tajam, dsb. Hindari jangan sampai aksesoris memantul atau tersangkut.** Area sudut, tepi yang tajam, atau pantulan cenderung membuat aksesoris yang berputar akan tersangkut dan menyebabkan kehilangan kendali atau timbulnya hentakan balik.
5. **Jangan pasang mata rantai gergaji, roda intan bersegmen dengan jarak periferal lebih dari 10 mm atau mata gergaji bergerigi.** Mata mesin seperti itu menghasilkan hentakan balik secara berkali-kali dan menyebabkan kehilangan kendali.
6. **Jangan membuat roda “macet” atau menekannya secara berlebihan. Jangan mencoba memotong terlalu dalam.** Menempatkan tekanan berlebihan pada roda akan meningkatkan beban dan dapat menyebabkan roda berputar atau terjepit pada potongan dan terdapat kemungkinan terjadi hentakan balik atau kerusakan roda.
7. **Ketika roda terjepit atau pemotongan terhenti karena alasan apa pun, matikan mesin listrik dan tahan hingga roda benar-benar berhenti. Jangan pernah mencoba melepas roda dari pekerjaan pemotongan saat roda bergerak, jika tidak, akan terjadi hentakan balik.** Periksa dan ambil tindakan yang tepat untuk menyingkirkan penyebab terikatnya roda.
8. **Jangan ulangi pemotongan pada benda kerja. Biarkan roda mencapai kecepatan penuh dan masukkan kembali dengan hati-hati pada potongan.** Roda mungkin dapat terjepit, bergerak ke atas atau terjadi hentakan balik jika mesin listrik dinyalakan ulang pada benda kerja.

9. **Tahan panel atau benda kerja berukuran besar untuk meminimalkan risiko roda terjepit dan terjadi hentakan balik.** Benda kerja besar cenderung melengkung karena beratnya. Penunjang harus diletakkan di bawah benda kerja dekat garis pemotongan dan dekat ujung benda kerja pada kedua sisi roda.
10. **Berhati-hatilah saat melakukan “pemotongan saku” pada dinding atau area buta lain.** Roda yang mencuat dapat memotong pipa gas atau air, kabel listrik, atau objek lain yang dapat menyebabkan hentakan balik.

#### Peringatan Keselamatan Tambahan:

1. **Sebelum menggunakan roda intan bersegmen, pastikan roda intan memiliki jarak periferal antar segmen sebesar 10 mm atau kurang, hanya dengan sudut negatif.**
2. **Jangan pernah mencoba memotong dengan mesin yang dipasang terbalik pada ragum. Hal ini dapat menyebabkan kecelakaan parah karena sangat berbahaya.**
3. **Bahan tertentu mengandung zat kimia yang mungkin beracun. Hindari menghirup debu dan persentuhan dengan kulit. Ikuti data keselamatan bahan dari pemasok.**
4. **Simpan roda sesuai saran produsen. Penyimpanan yang tidak benar dapat merusak roda.**

## SIMPAN PETUNJUK INI.

**⚠️ PERINGATAN:** JANGAN biarkan kenyamanan atau terbiasanya Anda dengan produk (karena penggunaan berulang) mengurangi kepatuhan yang ketat terhadap aturan keselamatan untuk produk yang terkait. **PENYALAHGUNAAN** atau kelalaian mematuhi kaidah keselamatan yang tertera dalam petunjuk ini dapat menyebabkan cedera badan serius.

## DESKRIPSI FUNGSI

**⚠️ PERHATIAN:** Selalu pastikan bahwa mesin dalam keadaan mati dan steker tercabut sebelum menyetel atau memeriksa kerja mesin.

### Menyetel kedalaman pemotongan

Kendurkan baut kupu-kupu pada pemandu kedalaman dan pindahkan dudukan ke atas atau ke bawah. Pada kedalaman potong yang diinginkan, amankan dudukan dengan mengencangkan baut kupu-kupu.

► **Gbr.1:** 1. Baut kupu-kupu 2. Dudukan

**⚠️ PERHATIAN:** Setelah menyesuaikan kedalaman potong, selalu kencangkan baut kupu-kupu dengan kuat.

## Pengamatan

Sejajarkan tepi bagian depan dudukan dengan garis potong pada benda kerja.

► Gbr.2

## Kerja sakelar

**⚠PERHATIAN:** Sebelum memasukkan steker, pastikan picu sakelar berfungsi dengan baik dan kembali ke posisi "OFF" saat dilepas.

► Gbr.3: 1. Pelatuk sakelar 2. Tombol kunci / Tombol buka kunci

### Untuk mesin dengan tombol kunci

Untuk menjalankan mesin, cukup tarik picu saklarnya. Lepaskan pelatuk sakelar untuk berhenti. Untuk penggunaan terus-menerus, tarik picu saklar, tekan tombol kunci dan kemudian lepas picu saklar. Untuk membebaskan posisi terkunci, tarik pemacu sampai penuh, lalu lepaskan.

**⚠PERHATIAN:** Saklar bisa dikunci dalam posisi "ON" untuk memberi kenyamanan pada operator selama penggunaan terus-menerus. Selalu berhati-hati ketika mengunci mesin dalam posisi "ON" dan pegang mesin kuat-kuat.

### Untuk mesin dengan tombol buka kunci

Untuk mencegah picu sakelar tertarik dengan tidak sengaja, tersedia sebuah tombol buka kunci. Untuk menjalankan mesin, tekan tombol buka kunci dan tarik picu saklar. Lepaskan pelatuk sakelar untuk berhenti.

**⚠PERINGATAN:** JANGAN PERNAH menggunakan mesin jika mesin tersebut menyala ketika Anda hanya menarik picu sakelarnya tanpa menekan tuas buka kunci. Sakelar yang memerlukan perbaikan dapat mengakibatkan pengoperasian yang tidak diinginkan dan cedera badan serius. Kembalikan mesin ke pusat layanan Makita untuk diperbaiki dengan benar SEBELUM menggunakannya lebih lanjut.

**⚠PERINGATAN:** JANGAN PERNAH mengakali tombol buka kunci dengan menyelotip atau menggunakan alat-alat lainnya. Sakelar tanpa tombol buka kunci dapat mengakibatkan pengoperasian yang tidak diinginkan dan cedera badan serius.

**⚠PERHATIAN:** Jangan menarik dalam-dalam picu sakelar tanpa menekan tombol buka kunci. Hal ini bisa merusak sakelar.

### Untuk mesin tanpa tombol kunci / tombol buka kunci

Untuk menjalankan mesin, cukup tarik picu sakelar picunya. Lepaskan pelatuk sakelar untuk berhenti.

## PERAKITAN

**⚠PERHATIAN:** Pastikan bahwa mesin dalam keadaan mati dan steker tercabut sebelum melakukan pekerjaan apa pun pada mesin.

## Melepas atau memasang roda intan (aksesori opsional)

**⚠PERHATIAN:** Selalu pastikan mesin dalam keadaan mati dan steker telah dicabut, sebelum memasang atau melepas roda intan.

**⚠PERHATIAN: PASTIKAN UNTUK MENGENCANGKAN BAUT KEPALA SEGI-ENAM DENGAN KUAT. Berhati-hatilah agar tidak mengencangkan baut terlalu kuat.** Tangan Anda dapat mengalami cedera jika terjadi selip ketika menggunakan kunci L.

**⚠PERHATIAN:** Gunakan hanya kunci L dan kunci pas Makita untuk memasang atau melepas roda.

Untuk melepas roda intan, tahan flensa luar dengan kunci L dan putar baut kepala segi-enam searah jarum jam. Lalu lepas baut kepala segi-enam, flensa luar, dan roda intan.

► Gbr.4: 1. Kunci pas 2. Kunci L 3. Roda intan

Untuk memasang roda, ikuti urutan prosedur pelepasan secara terbalik. Selalu pasang roda sedemikian rupa sehingga tanda panah pada ujung roda intan searah dengan tanda panah pada wadah pisau. Pastikan untuk mengencangkan baut kepala segi-enam berlawanan arah jarum jam dengan kuat.

► Gbr.5: 1. Flensa dalam 2. Roda intan 3. Flensa luar 4. Baut kepala segi-enam

## Penyimpanan kunci L

► Gbr.6: 1. Kunci L

Saat tidak digunakan, simpan kunci L seperti terlihat pada gambar agar tidak hilang.

## Aliran air (Aksesori opsional)

### Hanya untuk mesin dengan pipa air

Pertama-tama, cabut steker mesin. Kendurkan baut kupu-kupu pada pemandu kedalaman dan pindahkan dudukan ke bawah. Pasang pipa air pada kotak mata pisau lalu kencangkan menggunakan sekrup. Pasang tabung vinil ke pipa air lalu pasang adaptor pada tabung vinil ke keran tekanan utama air. Sesuaikan jumlah air yang mengalir dengan mengatur keran air.

► Gbr.7: 1. Keran air 2. Baut kupu-kupu 3. Pipa air

## Hanya untuk mesin dengan tabung vinil

Letakkan tabung vinil ke dalam pemegang tabung seperti menyekrup sehingga roda intan yang telah digunakan tidak dapat terhalang atau terputus.

► **Gbr.8:** 1. Pemegang tabung 2. Tabung vinil

## PENGUNAAN

**PERHATIAN:** MESIN INI HARUS DIGUNAKAN PADA PERMUKAAN DATAR.

**PERHATIAN:** Pastikan untuk menggerakkan mesin ke depan dalam garis lurus dengan hati-hati. Memberikan tekanan dengan paksa atau membengkokkan roda, menjepit atau memutar potongan dapat menyebabkan motor kelebihan panas dan menyebabkan hentakan balik yang berbahaya pada mesin.

Pegang mesin kuat-kuat. Pasang pelat dasar pada benda kerja yang akan dipotong tanpa menyentuh roda intan. Lalu nyalakan mesin dan tunggu sampai roda intan mencapai kecepatan penuh. Sekarang gerakkan mesin arah maju di atas permukaan benda kerja, jaga agar mesin tetap datar dan gerakkan dengan lembut sampai pemotongan selesai. Jaga agar garis pemotongan tetap lurus dan kecepatan gerakan tetap sama.

► **Gbr.9**

## PERAWATAN

**PERHATIAN:** Selalu pastikan bahwa mesin dimatikan dan steker dicabut sebelum melakukan pemeriksaan atau perawatan.

**PEMBERITAHUAN:** Jangan sekali-kali menggunakan bensin, tiner, alkohol, atau bahan sejenisnya. Penggunaan bahan demikian dapat menyebabkan perubahan warna, perubahan bentuk atau timbulnya retakan.

## Setelah penggunaan

Bersihkan debu di dalam mesin dengan menjalankan mesin pada posisi diam selama beberapa saat. Bersihkan debu yang terkumpul di bagian dasar. Debu yang terkumpul pada motor atau pada dasar dapat menyebabkan gangguan fungsi mesin.

## Mengganti sikat karbon

Periksa sikat karbon secara teratur. Lepas sikat karbon ketika aus sampai tanda batas. Jaga agar sikat karbon tetap bersih dan tidak bergeser dari tempatnya. Kedua sikat karbon harus diganti pada waktu yang sama. Hanya gunakan sikat karbon yang sama.

► **Gbr.10:** 1. Tanda batas

Gunakan obeng untuk melepas tutup tempat sikat. Tarik keluar sikat karbon yang aus, masukkan yang baru dan pasang tutup tempat sikat.

► **Gbr.11:** 1. Obeng 2. Tutup tempat sikat

Untuk menjaga KEAMANAN dan KEANDALAN mesin, perbaikan, perawatan atau penyetulan lainnya harus dilakukan oleh Pusat Layanan Resmi atau Pabrik Makita; selalu gunakan suku cadang pengganti buatan Makita.

## SPEKIFIKASI

Model:	M4100
Diameter roda	110 mm
Diameter lubang	20 mm
Ketebalan roda maks.	2 mm
Kapasiti pemotongan maks.	32 mm
Kelajuan terkadar (n)	13,000 min <sup>-1</sup>
Panjang keseluruhan	227 mm
Berat bersih	2.9 kg
Kelas keselamatan	□/II

- Disebabkan program penyelidikan dan pembangunan kami yang berterusan, spesifikasi yang terkandung di dalam ini adalah tertakluk kepada perubahan tanpa notis.
- Spesifikasi mungkin berbeza mengikut negara.
- Berat mengikut Prosedur EPTA 01/2003

### Simbol

Berikut menunjukkan simbol-simbol yang boleh digunakan untuk alat ini. Pastikan anda memahami maksudnya sebelum menggunakan.



Baca manual arahan.



PENEBAHAN BERGANDA



Pakai cermin mata keselamatan.



Hanya untuk negara-negara Kesatuan Eropah  
 Jangan buang peralatan elektrik bersama bahan sisa rumah! Dalam mematuhi Arahan Eropah mengenai Sisa Peralatan Elektrik dan Elektronik serta pelaksanaannya mengikut undang-undang negara, peralatan elektrik yang telah mencapai akhir hayatnya mesti dikumpul secara berasingan dan dikembalikan ke kemudahan kitar semula yang bersesuaian dengan alam sekitar.

### Tujuan penggunaan

Alat ini bertujuan untuk memotong bata, konkrit dan batu.

### Bekalan kuasa

Alat ini perlu disambungkan hanya kepada bekalan kuasa dengan voltan yang sama seperti yang ditunjukkan pada papan nama, dan hanya boleh dikendalikan pada bekalan AC fasa tunggal. Ia mempunyai penebatan berganda dan oleh itu, ia juga boleh digunakan pada soket tanpa wayar bumi.

### Amaran keselamatan umum alat kuasa

**⚠️ AMARAN:** Baca semua amaran keselamatan dan semua arahan. Kegagalan mematuhi amaran dan arahan boleh menyebabkan kejutan elektrik, kebakaran dan/atau kecederaan serius.

### Simpan semua amaran dan arahan untuk rujukan masa depan.

Istilah "alat kuasa" dalam amaran merujuk kepada alat kuasa yang menggunakan tenaga elektrik (kabel) atau alat kuasa yang menggunakan bateri (tanpa kord).

#### Keselamatan kawasan kerja

1. **Pastikan kawasan kerja bersih dan diterangi dengan baik.** Kawasan berselerak atau gelap mengundang kemalangan.
2. **Jangan kendalikan alat kuasa dalam suasana letupan, seperti di hadapan cecair, gas atau habuk yang mudah terbakar.** Alat kuasa menghasilkan percikan api yang boleh menyalakan debu atau asap.
3. **Jauhkan kanak-kanak dan orang ramai semasa mengendalikan alat kuasa.** Gangguan boleh menyebabkan anda hilang kawalan.

#### Keselamatan Elektrik

1. **Palam alat kuasa mesti sepadan dengan soket. Jangan ubah suai palam dalam apa cara sekalipun. Jangan gunakan sebarang penyesuai dengan alat kuasa yang dibumikan.** Palam yang tidak diubah suai dan soket sepadan akan mengurangkan risiko kejutan elektrik.
2. **Elakkan sentuhan badan dengan permukaan yang dibumikan, seperti paip, radiator, julat dan peti sejuk.** Terdapat peningkatan risiko kejutan elektrik jika badan anda dibumikan.

3. **Jangan dedahkan alat kuasa kepada hujan atau keadaan basah.** Air yang memasuki alat kuasa akan meningkatkan risiko kejutan elektrik.
4. **Jangan salahgunakan kord. Jangan gunakan kord untuk membawa, menarik atau mencabut alat kuasa. Jauhkan kord dari haba, minyak, bucu tajam atau bahagian yang bergerak.** Kord yang rosak atau tersimpul meningkatkan risiko kejutan elektrik.
5. **Semasa mengendalikan alat kuasa di luar, gunakan kord sambungan yang bersesuaian untuk kegunaan luar.** Penggunaan kord yang sesuai untuk kegunaan luar mengurangkan risiko kejutan elektrik.
6. **Sekiranya pengendalian alat kuasa di lokasi lembap tidak dapat dielakkan, gunakan bekalan peranti arus sisa (Residual Current Device "RCD") yang dilindungi.** Penggunaan RCD mengurangkan risiko kejutan elektrik.
7. **Penggunaan bekalan kuasa melalui RCD dengan arus sisa yang bernilai 30 mA atau kurang sentiasa disyorkan.**

#### Keselamatan Diri

1. **Sentiasa berwaspada, perhatikan apa yang anda lakukan dan guna akal fikiran semasa mengendalikan alat kuasa. Jangan gunakan alat kuasa semasa anda letih atau di bawah pengaruh dadah, alkohol atau ubat.** Tidak memberi tumpuan walaupun seketika semasa mengendalikan alat kuasa boleh mengakibatkan kecederaan diri yang serius.
2. **Gunakan peralatan pelindung diri. Sentiasa pakai pelindung mata.** Peralatan pelindung seperti topeng debu, kasut keselamatan tidak tergelincir, topi keselamatan atau pelindung pendengaran yang digunakan untuk keadaan yang sesuai akan mengurangkan kecederaan diri.
3. **Elakkan permulaan yang tidak disengajakan. Pastikan suis ditutup sebelum menyambung kepada sumber kuasa dan/atau pek bateri, semasa mengangkat atau membawa alat.** Membawa alat kuasa dengan jari anda pada suis atau alat kuasa dengan suis pada kedudukan hidup mengundang kemalangan.
4. **Alihkan sebarang kunci atau sepana penyesuaian sebelum menghidupkan alat kuasa.** Sepana atau kunci yang ditinggalkan pada bahagian berputar alat kuasa boleh mengakibatkan kecederaan diri.
5. **Jangan terlalu mencapai. Pastikan kedudukan memijak dan keseimbangan yang betul pada setiap masa.** Ini membolehkan kawalan alat kuasa yang lebih baik dalam situasi yang tidak dijangka.
6. **Berpakaian dengan betul. Jangan pakai pakaian yang longgar atau barang kemas. Jauhkan rambut, pakaian, dan sarung tangan anda dari bahagian yang bergerak.** Pakaian longgar, barang kemas atau rambut yang panjang boleh terperangkap dalam bahagian yang bergerak.
7. **Jika peranti disediakan untuk sambungan kemudahan pengestrakan dan pengumpulan habuk, pastikan ia disambung dan digunakan dengan betul.** Penggunaan pengumpulan habuk boleh mengurangkan bahaya berkaitan habuk.

#### Penggunaan dan penjagaan alat kuasa

1. **Jangan gunakan alat kuasa dengan kasar. Gunakan alat kuasa yang betul untuk penggunaan anda.** Alat kuasa yang betul akan melakukan tugas dengan lebih baik dan lebih selamat pada kadar mana ia direka cipta.
2. **Jangan gunakan alat kuasa jika suis tidak berfungsi untuk menghidupkan dan mematikannya.** Alat kuasa yang tidak dapat dikawal dengan suis adalah berbahaya dan mesti dibaiki.
3. **Cabut palam dari sumber kuasa dan/atau pek bateri dari alat kuasa sebelum membuat sebarang pelarasan, menukar aksesori, atau menyimpan alat kuasa.** Langkah-langkah keselamatan pencegahan sedemikian mengurangkan risiko memulakan alat kuasa secara tidak sengaja.
4. **Simpan alat kuasa yang tidak digunakan jauh dari jangkauan kanak-kanak dan jangan biarkan orang yang tidak biasa dengan alat kuasa atau arahan ini mengendalikannya.** Alat kuasa adalah berbahaya di tangan pengguna yang tidak terlatih.
5. **Menyelenggara alat kuasa. Periksa salah jajaran atau ikatan pada bahagian yang bergerak, bahagian yang rosak dan apa-apa keadaan lain yang boleh menjejaskan operasi alat kuasa.** Sekiranya rosak, baiki alat kuasa sebelum digunakan. Kebanyakan kemalangan adalah disebabkan oleh alat kuasa yang tidak dijaga dengan baik.
6. **Pastikan alat pemotong tajam dan bersih.** Alat pemotong yang dijaga dengan betul dengan hujung pemotong yang tajam mempunyai kemungkinan yang rendah untuk terikat dan lebih mudah dikendalikan.
7. **Gunakan alat kuasa, aksesori dan alat bit dan sebagainya mengikut arahan ini dengan mengambil kira keadaan kerja dan kerja yang perlu dilakukan.** Penggunaan alat kuasa untuk operasi yang berbeza dari yang dimaksudkan boleh menyebabkan keadaan berbahaya.

#### Servis

1. **Pastikan alat kuasa anda diservis oleh orang yang berkelayakan dengan hanya menggunakan alat ganti yang sama.** Ini akan memastikan keselamatan alat kuasa dapat dikekalkan.
2. **Ikut arahan untuk melincir dan menukar aksesori.**
3. **Pastikan pemegang sentiasa kering, bersih dan bebas dari minyak dan gris.**

## Amaran keselamatan pemotong

### Amaran keselamatan mesin pemotongan

- 1. Pelindung yang disediakan dengan alat hendaklah dilampirkan dengan selamat kepada alat kuasa dan meletakkan pada keselamatan yang maksimum, oleh itu jumlah roda yang paling sedikit terdedah kepada pengendali. Jauhkan diri anda dan orang ramai dari satah roda berputar.** Pelindung membantu melindungi pengendali daripada serpihan roda yang pecah dan sentuhan dengan roda yang tidak sengaja.
- 2. Gunakan hanya roda pemotongan berlian untuk alat kuasa anda.** Hanya kerana aksesori boleh dipasang pada alat kuasa anda, itu tidak menjamin operasi yang selamat.
- 3. Kelajuan terkadar aksesori mesti sekurang-kurangnya sama seperti kelajuan maksimum yang ditandakan pada alat kuasa.** Aksesori yang beroperasi lebih laju daripada kelajuan terkadarnya boleh pecah dan berkecai.
- 4. Roda mesti digunakan hanya untuk penggunaan yang disyorkan. Contohnya: jangan kisar dengan sisi roda pemotongan.** Roda pemotongan pelelas bertujuan untuk pengisaran persisian dan daya sisi yang dikenakan kepada roda ini mungkin menyebabkannya pecah.
- 5. Sentiasa gunakan bibir roda yang tidak rosak yang mempunyai diameter yang betul untuk roda yang anda pilih.** Bibir roda yang betul menyokong roda dan dapat mengurangkan kemungkinan roda akan pecah.
- 6. Diameter luar dan ketebalan aksesori anda mesti dalam perkadaran kapasiti alat kuasa anda.** Aksesori dengan saiz yang tidak betul tidak boleh dijaga atau dikawal dengan secukupnya.
- 7. Saiz lubang arbor roda dan bibir mestilah sepadan dengan spindel alat kuasa.** Roda dan bibir dengan lubang arbor yang tidak sepadan dengan perkakasan pelekapan alat kuasa akan tidak seimbang, bergetar secara berlebihan dan boleh menyebabkan hilang kawalan.
- 8. Jangan gunakan roda yang rosak. Sebelum setiap penggunaan, periksa roda untuk sebarang serpihan atau retakan. Jika alat kuasa atau roda terjatuh, periksa kerosakan atau pasang roda yang tidak rosak. Selepas pemeriksaan dan pemasangan roda, jauhkan diri anda dan orang ramai daripada satah roda yang berputar dan jalankan alat kuasa pada kelajuan tanpa beban maksimum selama seminit.** Roda yang rosak biasanya akan pecah berderai semasa tempoh ujian ini.
- 9. Pakai peralatan pelindung diri. Bergantung kepada penggunaan, guna pelindung muka, gogal keselamatan atau cermin mata keselamatan. Sebagaimana yang sesuai, pakai topeng habuk, pelindung pendengaran, sarung tangan dan apron bengkel yang mampu menghalang serpihan pelelas atau bahan kerja yang kecil.** Pengadang mata mesti mampu menghalang serpihan yang terbang yang dihasilkan oleh pelbagai operasi. Topeng habuk atau alat pernafasan mesti mampu menapis zarah yang dihasilkan oleh operasi anda. Pendedahan yang berlanjutan kepada hingar dengan keamatan yang tinggi boleh menyebabkan hilang pendengaran.
- 10. Pastikan orang ramai berada pada jarak yang selamat dari kawasan kerja. Sesiapa sahaja yang memasuki kawasan kerja mesti memakai peralatan pelindung diri.** Serpihan bahan kerja atau roda yang pecah mungkin berterbangan dan menyebabkan kecederaan di luar kawasan operasi terdekat.
- 11. Pegang alat kuasa pada permukaan pencengkam terkuat sahaja, apabila melakukan operasi yang aksesori pemotong boleh tersentuh wayar tersembunyi atau kordnya sendiri.** Aksesori pemotong yang bersentuhan dengan wayar "hidup" boleh menyebabkan bahagian logam alat kuasa "hidup" dan boleh memberi kejutan elektrik kepada pengendali.
- 12. Jauhkan kord daripada aksesori yang berputar.** Jika anda hilang kawalan, kord boleh terpotong atau tersangkut dan tangan atau lengan anda boleh tertarik ke dalam roda yang berputar.
- 13. Jangan sekali-kali meletakkan alat kuasa ke bawah sehingga aksesori telah berhenti sepenuhnya.** Roda yang berputar boleh menyambar permukaan dan menarik alat kuasa daripada kawalan anda.
- 14. Jangan jalankan alat kuasa ketika membawanya di sisi anda.** Sentuhan secara tidak sengaja dengan aksesori yang berputar boleh menyebabkan pakaian anda tersangkut dan menarik aksesori ke badan anda.
- 15. Bersihkan saluran udara alat kuasa dengan kerap.** Kipas motor akan mengeluarkan habuk di dalam perumah dan pengumpulan logam serbuk yang berlebihan boleh menyebabkan bahaya elektrik.
- 16. Jangan kendalikan alat kuasa berhampiran bahan mudah terbakar.** Percikan boleh menyalakan bahan ini.

### Tolak keluar dan amaran berkaitan

Tolak keluar ialah tindak balas tiba-tiba kepada roda berputar yang tersepit atau tersangkut. Tersepit atau tersangkut menyebabkan roda berputar terhenti cepat menyebabkan giiran alat kuasa yang tidak terkawal dipaksa ke arah bertentangan dengan putaran roda pada titik pengikatan.

Sebagai contoh, jika roda pelepas tersangkut atau tersepit pada bahan kerja, bahagian tepi roda yang memasuki titik sepihan boleh menekan dalam permukaan bahan menyebabkan roda ternaik atau terkeluar. Roda mungkin sama ada melantun ke arah atau jauh daripada pengendali, bergantung kepada arah pergerakan roda ketika aksesori tersepit. Roda pelepas mungkin juga pecah di bawah keadaan ini. Tolak keluar adalah akibat daripada penyalahgunaan alat kuasa dan/atau prosedur atau keadaan operasi yang tidak betul dan boleh dielakkan dengan mengambil langkah berjaga-jaga yang betul seperti yang diberikan di bawah.

1. **Kekalkan genggaman yang kuat pada alat kuasa dan pastikan kedudukan badan dan lengan anda membolehkan anda menahan daya tolak keluar. Sentiasa gunakan pemegang tambahan, jika disediakan, untuk kawalan maksimum terhadap tolak keluar atau tindak balas tork semasa memulakan.** Pengendali boleh mengawal tindak balas tork atau daya tolak keluar, jika langkah berjaga-jaga yang wajar diambil.
2. **Jangan sekali-kali meletakkan tangan anda dekat dengan aksesori yang berputar.** Aksesori mungkin ditolak keluar ke atas tangan anda.
3. **Pastikan badan anda tidak berada sebaris dengan roda berputar.** Tolak keluar akan mendorong alat ke arah bertentangan kepada pergerakan roda ketika aksesori tersangkut.
4. **Menggunakan dengan lebih berhati-hati apabila bekerja di sudut, pinggir yang tajam dan sebagainya. Elakkan aksesori daripada melantun dan tersangkut.** Sudut, pinggir yang tajam atau melantun mempunyai kecenderungan untuk menyebabkan aksesori berputar tersangkut dan menyebabkan hilang kawalan atau tolak keluar.
5. **Jangan pasang rantai gergaji, bilah pengukur kayu, roda intan bersegmen dengan celah pinggir lebih besar daripada 10 mm atau bilah gergaji bergigi.** Bilah seperti ini akan kerap menghasilkan tolak keluar dan hilang kawalan.
6. **Jangan biarkan roda “tersekat” atau mengenakan tekanan berlebihan.** Jangan cuba membuat kedalaman potongan yang berlebihan. Mengenaikan tekanan yang berlebihan kepada roda akan meningkatkan beban dan kecenderungan untuk berputar atau terkapat roda dalam potongan dan kemungkinan tolak keluar atau roda pecah.
7. **Apabila roda tersangkut atau apabila gangguan pemotongan berlaku atas apa jua sebab, matikan alat kuasa dan pegang alat kuasa tidak bergerak sehingga roda berhenti sepenuhnya. Jangan sekali-kali cuba menanggalkan roda daripada potongan ketika roda sedang bergerak, jika tidak tolak keluar mungkin berlaku.** Siasat dan ambil tindakan pembetulan untuk menyingkirkan sebab roda tersangkut.

8. **Jangan mulakan semula operasi pemotongan dalam bahan kerja. Biarkan roda mencapai kelajuan penuh dan masukkan semula roda ke dalam potongan dengan berhati-hati.** Roda boleh mengikat, berjalan atau tolak keluar jika alat kuasa dimulakan semula di dalam bahan kerja.
9. **Menyokong panel atau sebarang bahan kerja yang terlalu besar untuk meminumkan risiko roda tersepit atau tolak keluar.** Bahan kerja yang besar mudah melendut di bawah beratnya sendiri. Penyokong mesti diletakkan di bawah bahan kerja berhampiran garisan potongan dan berhampiran pinggir bahan kerja pada kedua-dua belah roda.
10. **Menggunakan langkah yang lebih berhati-hati apabila membuat “potongan poket” ke dalam dinding sedia ada atau kawasan terlindung yang lain.** Roda yang menonjol mungkin memotong paip gas atau air, pendawaian elektrik atau objek yang boleh menyebabkan tolak keluar.

#### Amaran Keselamatan Tambahan:

1. **Sebelum menggunakan roda intan bersegmen, pastikan roda intan mempunyai celah pinggir antara segmen 10 mm atau kurang, hanya dengan sudut cakar negatif.**
2. **Jangan sekali-kali cuba potong alat yang dipegang terbalik di dalam ragum. Ini boleh mengakibatkan kemalangan serius, kerana ia sangat berbahaya.**
3. **Sesetengah bahan mengandungi bahan kimia yang mungkin toksik. Sila berhati-hati untuk mencegah penyedutan habuk dan sentuhan kulit. Ikut data keselamatan pembekal bahan.**
4. **Simpan roda mengikut saranan pengilang. Penyimpanan yang tidak betul boleh merosakkan roda.**

## SIMPAN ARAHAN INI.

**⚠️AMARAN:** JANGAN biarkan keselesaan atau kebiasaan dengan produk (daripada penggunaan berulang) menggantikan pematuhan ketat terhadap peraturan keselamatan untuk produk yang ditetapkan. SALAH GUNA atau kegagalan mematuhi peraturan-peraturan keselamatan yang dinyatakan dalam manual arahan ini boleh menyebabkan kecederaan diri yang serius.

## KETERANGAN FUNGSI

**⚠️PERHATIAN:** Sentiasa pastikan alat dimatikan dan dicabut sebelum menyelaraskan atau menyemak fungsi pada alat.

## Melaraskan kedalaman potongan

Longgarkan bolt sayap pada panduan kedalaman dan gerakan tapak ke atas atau ke bawah. Pada kedalaman yang dikehendaki dipotong, mendapatkan tapak dengan mengetatkan bolt sayap.

► **Rajah1:** 1. Bolt sayap 2. Tapak

**⚠️ PERHATIAN:** Selepas pelarasan kedalaman pemotong, sentiasa ketatkan bolt sayap dengan betul.

## Penglihatan

Jajarkan sisi bahagian depan tapak dengan garis pemotong pada bahan kerja.

▶ **Rajah2**

## Tindakan suis

**⚠️ PERHATIAN:** Sebelum memasang alat, sentiasa periksa untuk melihat pemicu suis bergerak dengan betul dan kembali ke posisi "OFF" apabila dilepaskan.

▶ **Rajah3:** 1. Pemicu suis 2. Butang kunci / butang buka kunci

### Untuk alat dengan butang kunci

Untuk memulakan alat, hanya tarik pemicu suis. Lepaskan pemicu suis untuk berhenti. Untuk operasi berterusan, tarik pemicu suis, tekan butang kunci dan kemudian lepaskan pemicu suis. Untuk menghentikan alat dari kedudukan terkunci, tarik pemicu sepenuhnya, kemudian lepaskan.

**⚠️ PERHATIAN:** Suis boleh dikunci dalam kedudukan "ON" untuk memudahkan keselesaan pengendali semasa penggunaan berpanjangan. Berhati-hati semasa mengunci alat dalam kedudukan "ON" dan kekalkan genggaman yang kukuh pada alat.

### Untuk alat dengan butang buka kunci

Untuk mengelakkan pemicu suis daripada ditarik secara tidak sengaja, butang buka kunci disediakan. Untuk memulakan alat, tekan butang buka kunci dan tarik pemicu suis. Lepaskan pemicu suis untuk berhenti.

**⚠️ AMARAN:** JANGAN SEKALI-KALI gunakan alat jika ia berjalan apabila anda hanya menarik pemicu suis tanpa menekan butang buka kunci. Suis yang perlu dibaiki mungkin menyebabkan operasi yang tidak disengajakan dan kecederaan diri yang serius. Kembalikan alat kepada pusat servis Makita untuk pembaikan yang sewajarnya SEBELUM penggunaan seterusnya.

**⚠️ AMARAN:** JANGAN SEKALI-KALI gagalakan butang buka kunci dengan mengetuk atau dengan cara yang lain. Suis dengan butang buka kunci yang tidak berfungsi mungkin menyebabkan operasi yang tidak disengajakan dan kecederaan diri yang serius.

**⚠️ PERHATIAN:** Jangan tarik pemicu suis dengan kuat tanpa menekan butang buka kunci. Ini boleh menyebabkan suis rosak.

### Untuk alat tanpa butang kunci / butang buka kunci

Untuk memulakan alat, hanya tarik pemicu suis. Lepaskan pemicu suis untuk berhenti.

## PEMASANGAN

**⚠️ PERHATIAN:** Sentiasa pastikan alat dimatikan dan palamnya dicabut sebelum menjalankan apa-apa kerja pada alat.

## Mengalih keluar atau memasang roda berlian (aksesori pilihan)

**⚠️ PERHATIAN:** Sentiasa pastikan alat dimatikan dan palamnya dicabut sebelum memasang atau mengeluarkan roda intan.

**⚠️ PERHATIAN:** PASTIKAN UNTUK MENGETATKAN BOLT HEKSAGON DENGAN KUKUH. Juga berhati-hati untuk tidak mengetatkan bolt secara paksa. Meluncurkan tangan anda dari perengkuh heksagon boleh menyebabkan kecederaan peribadi.

**⚠️ PERHATIAN:** Gunakan hanya sepina Makita dan sepina heksagon untuk memasang atau mengeluarkan roda.

Untuk mengeluarkan roda intan, pegang bebibir luar dengan perengkuh dan putarkan bolt heksagon mengikut arah jam dengan perengkuh heksagon. Kemudian keluarkan bolt heksagon, bebibir luar dan roda intan.

▶ **Rajah4:** 1. Perengkuh 2. Kunci allen 3. Roda intan

Untuk memasang roda, ikuti prosedur mengeluarkan secara terbalik. Sentiasa memasang roda supaya anak panah pada mata roda intan di arah yang sama dengan anak panah pada bekas bilah. Pastikan untuk mengetatkan bolt heksagon berlawanan arah jam dengan kuat.

▶ **Rajah5:** 1. Bebibir dalaman 2. Roda intan 3. Bebibir luar 4. Bolt heksagon

## Penyimpanan sepina heksagon

▶ **Rajah6:** 1. Kunci allen

Apabila tidak digunakan, simpan kunci allen seperti yang ditunjukkan dalam rajah agar tidak hilang.

## Aliran air (Aksesori pilihan)

### Hanya untuk alat dengan paip air

Pertama, cabut palam alat. Longgarkan bolt sayap pada panduan kedalaman dan gerakkan tapak ke bawah. Pasang paip air pada bekas bilah dan ketatkannya dengan skru.

Pasang tiub vinil ke paip air dan pasangkan penyesuaian pada tiub vinil ke kepala paip tekanan utama air. Laraskan jumlah aliran air dengan hanya menyesuaikan paip air.

▶ **Rajah7:** 1. Paip air 2. Bolt sayap 3. Paip air



## Hanya untuk alat dengan tiub vinil

Letakkan tiub vinil ke dalam pemegang tiub sama seperti skru sehingga roda berlian yang digunakan tidak boleh dihalang atau diganggu.

► **Rajah8:** 1. Pemegang tiub 2. Tiub vinil

## OPERASI

**⚠PERHATIAN:** ALAT INI HANYA BOLEH DIGUNAKAN PADA PERMUKAAN MENDATAR.

**⚠PERHATIAN:** Pastikan anda menggerakkan alat ke hadapan dengan garis lurus dan perlahan-lahan. Memaksa dan mengenakan tekanan yang berlebihan atau membenarkan roda untuk membengkok, tersepit atau lengkok dalam pemotongan boleh menyebabkan pemanasan motor dan berbahaya bagi alat ini.

Pegang alat dengan kukuh. Tetapkan plat tapak pada bahan kerja untuk dipotong tanpa roda intan melakukan sebarang sentuhan. Kemudian, hidupkan alat dan tunggu sehingga roda intan mencapai kelajuan sepenuhnya. Sekarang hanya gerakkan alat ke hadapan di atas permukaan bahan kerja, pastikan ia rata dan bergerak dengan lancar sehingga pemotongan selesai. Pastikan garis pemotongan anda lurus dan kelajuan seragam.

► **Rajah9**

## PENYELENGGARAAN

**⚠PERHATIAN:** Sentiasa pastikan alat dimatikan dan palamnya dicabut sebelum cuba menjalankan pemeriksaan atau penyelenggaraan.

**NOTIS:** Jangan gunakan petrol, benzin, pencair, alkohol atau bahan yang serupa. Ia boleh menyebabkan perubahan warna, bentuk atau keretakan.

## Selepas menggunakan

Bersihkan habuk di dalam alat dengan menjalankan alat itu melahu untuk seketika. Hancurkan pengumpulan habuk di tapak. Pengumpulan debu di motor atau di tapak boleh menyebabkan kerosakan alat.

## Menggantikan berus karbon

Periksa berus karbon dengan kerap. Gantikan ia apabila ia telah haus sehingga tanda had. Pastikan berus karbon sentiasa bersih dan bebas untuk dimasukkan ke dalam pemegang. Kedua-dua berus karbon harus diganti pada masa yang sama. Gunakan hanya berus karbon yang serupa.

► **Rajah10:** 1. Tanda had

Gunakan pemutar skru untuk mengeluarkan penutup pemegang berus. Keluarkan berus karbon yang telah haus, masukkan berus baharu dan kukuhkan penutup pemegang berus.

► **Rajah11:** 1. Pemutar skru 2. Penutup pemegang berus

Untuk mengekalkan KESELAMATAN dan KEBOLEHPERCAYAAN produk, pembaikan, apa-apa penyelenggaraan atau penyesuaian lain perlu dilakukan oleh Kilang atau Pusat Servis Makita yang Diiktiraf, sentiasa gunakan alat ganti Makita.

## THÔNG SỐ KỸ THUẬT

Kiểu máy:	M4100
Đường kính đĩa mài	110 mm
Đường kính lỗ	20 mm
Chiều dày đĩa mài tối đa	2 mm
Công suất cắt tối đa	32 mm
Tốc độ định mức (n)	13.000 min <sup>-1</sup>
Chiều dài tổng thể	227 mm
Khối lượng tịnh	2,9 kg
Cấp an toàn	□/II

- Do chương trình nghiên cứu và phát triển liên tục của chúng tôi nên các thông số kỹ thuật trong đây có thể thay đổi mà không cần thông báo trước.
- Các thông số kỹ thuật có thể thay đổi tùy theo từng quốc gia.
- Khối lượng tùy theo Quy trình EPTA tháng 01/2003

### Ký hiệu

Phần dưới đây cho biết các ký hiệu có thể được dùng cho thiết bị. Đảm bảo rằng bạn hiểu rõ ý nghĩa của các ký hiệu này trước khi sử dụng.



Đọc tài liệu hướng dẫn.



CÁCH ĐIỆN CẤP 2



Mang kính an toàn.



Chỉ dành cho các quốc gia EU  
Không thải bỏ thiết bị điện cùng với các chất thải sinh hoạt! Để tuân thủ Chỉ thị của Châu Âu về thiết bị điện và điện tử thải bỏ, và thi hành những chỉ thị này phù hợp với luật lệ quốc gia, thiết bị điện tử không còn sử dụng được nữa phải được thu nhặt riêng và đưa trở lại một cơ sở tái chế tương thích với môi trường.

### Mục đích sử dụng

Dụng cụ này được dùng để cắt gạch, bê tông và đá.

### Nguồn cấp điện

Dụng cụ này chỉ được nối với nguồn cấp điện có điện áp giống như đã chỉ ra trên biển tên và chỉ có thể được vận hành trên nguồn điện AC đơn pha. Chúng được cách điện hai lớp và do đó cũng có thể được sử dụng từ các ổ cắm điện không có dây tiếp đất.

### Cảnh báo an toàn chung dành cho dụng cụ máy

**⚠ CẢNH BÁO:** Đọc tất cả các cảnh báo an toàn và tất cả hướng dẫn. Việc không tuân theo các cảnh báo và hướng dẫn có thể dẫn đến điện giật, hỏa hoạn và/hoặc thương tích nghiêm trọng.

### Lưu giữ tất cả cảnh báo và hướng dẫn để tham khảo sau này.

Thuật ngữ “dụng cụ máy” trong các cảnh báo đề cập đến dụng cụ máy (có dây) được vận hành bằng nguồn điện chính hoặc dụng cụ máy (không dây) được vận hành bằng pin của bạn.

#### An toàn tại nơi làm việc

- Giữ nơi làm việc sạch sẽ và có đủ ánh sáng.**  
Nơi làm việc bừa bộn hoặc tối thường dễ gây ra tai nạn.
- Không vận hành dụng cụ máy trong môi trường cháy nổ, ví dụ như môi trường có sự hiện diện của các chất lỏng, khí hoặc bụi dễ cháy.** Các dụng cụ máy tạo tia lửa điện có thể làm bụi hoặc khí bốc cháy.
- Giữ trẻ em và người ngoài tránh xa nơi làm việc khi đang vận hành dụng cụ máy.** Sự xao lãng có thể khiến bạn mất khả năng kiểm soát.

#### An toàn về Điện

- Phích cắm của dụng cụ máy phải khớp với ổ cắm. Không được sửa đổi phích cắm theo bất kỳ cách nào. Không sử dụng bất kỳ phích chuyên đổi nào với các dụng cụ máy được nối đất (tiếp đất).** Các phích cắm còn nguyên vẹn và ổ cắm phù hợp sẽ giảm nguy cơ điện giật.
- Tránh để cơ thể tiếp xúc với các bề mặt nóng hoặc tiếp đất như đường ống, bộ tản nhiệt, bếp ga và tủ lạnh.** Nguy cơ bị điện giật sẽ tăng lên nếu cơ thể bạn được nối đất hoặc tiếp đất.

3. **Không để dụng cụ máy tiếp xúc với mưa hoặc trong điều kiện ẩm ướt.** Nước lọt vào dụng cụ máy sẽ làm tăng nguy cơ điện giật.
4. **Không lạm dụng dây điện.** Không được phép sử dụng dây để mang, kéo hoặc tháo phích cắm dụng cụ máy. Giữ dây tránh xa nguồn nhiệt, dầu, các mép sắc hoặc các bộ phận chuyển động. Dây bị hỏng hoặc bị rối sẽ làm tăng nguy cơ điện giật.
5. **Khi vận hành dụng cụ máy ngoài trời, hãy sử dụng dây kéo dài phù hợp cho việc sử dụng ngoài trời.** Việc dùng dây phù hợp cho việc sử dụng ngoài trời sẽ giảm nguy cơ điện giật.
6. **Nếu bắt buộc phải vận hành dụng cụ máy ở nơi ẩm ướt, hãy sử dụng nguồn cấp điện được bảo vệ bằng thiết bị ngắt dòng điện rò (RCD).** Việc sử dụng RCD sẽ làm giảm nguy cơ điện giật.
7. **Chúng tôi luôn khuyến bạn sử dụng nguồn cấp điện qua thiết bị RCD có thể ngắt dòng điện rò định mức 30 mA hoặc thấp hơn.**

#### **An toàn Cá nhân**

1. **Luôn tỉnh táo, quan sát những việc bạn đang làm và sử dụng những phán đoán theo kinh nghiệm khi vận hành dụng cụ máy.** Không sử dụng dụng cụ máy khi bạn đang mệt mỏi hoặc chịu ảnh hưởng của ma túy, rượu hay thuốc. Chỉ một khoảnh khắc không tập trung khi đang vận hành dụng cụ máy cũng có thể dẫn đến thương tích cá nhân nghiêm trọng.
2. **Sử dụng thiết bị bảo hộ cá nhân.** Luôn đeo thiết bị bảo vệ mắt. Các thiết bị bảo hộ như mặt nạ chống bụi, giày an toàn chống trượt, mũ bảo hộ hay thiết bị bảo vệ thính giác được sử dụng trong các điều kiện thích hợp sẽ giúp giảm thương tích cá nhân.
3. **Tránh vô tình khởi động dụng cụ máy.** Đảm bảo công tắc ở vị trí off (tắt) trước khi nối nguồn điện và/hoặc bộ pin, cắm hoặc di chuyển dụng cụ máy. Việc di chuyển dụng cụ máy khi đang đặt ngón tay ở vị trí công tắc hoặc cấp điện cho dụng cụ máy đang bật thường dễ gây ra tai nạn.
4. **Tháo tất cả các khóa hoặc cờ lê điều chỉnh trước khi bật dụng cụ máy.** Việc cờ lê hoặc khóa vẫn còn gắn vào bộ phận quay của dụng cụ máy có thể dẫn đến thương tích cá nhân.
5. **Không với quá cao.** Luôn giữ thăng bằng tốt và có chỗ để chân phù hợp. Điều này cho phép điều khiển dụng cụ máy tốt hơn trong những tình huống bất ngờ.
6. **Ăn mặc phù hợp.** Không mặc quần áo rộng hay đeo đồ trang sức. Giữ tóc, quần áo và găng tay tránh xa các bộ phận chuyển động. Quần áo rộng, đồ trang sức hay tóc dài có thể mắc vào các bộ phận chuyển động.
7. **Nếu các thiết bị được cung cấp để kết nối các thiết bị thu gom và hút bụi, hãy đảm bảo chúng được kết nối và sử dụng hợp lý.** Việc sử dụng thiết bị thu gom bụi có thể làm giảm những mối nguy hiểm liên quan đến bụi.

#### **Sử dụng và bảo quản dụng cụ máy**

1. **Không dùng lực đối với dụng cụ máy.** Sử dụng đúng dụng cụ máy cho công việc của bạn. Sử dụng đúng dụng cụ máy sẽ giúp thực hiện công việc tốt hơn và an toàn hơn theo giá trị định mức được thiết kế của dụng cụ máy đó.
2. **Không sử dụng dụng cụ máy nếu công tắc không bật và tắt được dụng cụ máy đó.** Mọi dụng cụ máy không thể điều khiển được bằng công tắc đều rất nguy hiểm và phải được sửa chữa.
3. **Rút phích cắm ra khỏi nguồn điện và/hoặc ngắt kết nối bộ pin khỏi dụng cụ máy trước khi thực hiện bất kỳ công việc điều chỉnh, thay đổi phụ tùng hay cất giữ dụng cụ máy nào.** Những biện pháp an toàn phòng ngừa này sẽ giảm nguy cơ vô tình khởi động dụng cụ máy.
4. **Cất giữ các dụng cụ máy không sử dụng ngoài tầm với của trẻ em và không cho bất kỳ người nào không có hiểu biết về dụng cụ máy hoặc các hướng dẫn này vận hành dụng cụ máy.** Dụng cụ máy sẽ rất nguy hiểm nếu được sử dụng bởi những người dùng chưa qua đào tạo.
5. **Bảo quản dụng cụ máy.** Kiểm tra tình trạng lịch sử hoặc bó kẹp của các bộ phận chuyển động, hiện tượng nứt vỡ của các bộ phận và mọi tình trạng khác mà có thể ảnh hưởng đến hoạt động của dụng cụ máy. Nếu có hỏng hóc, hãy sửa chữa dụng cụ máy trước khi sử dụng. Nhiều tai nạn xảy ra là do không bảo quản tốt dụng cụ máy.
6. **Luôn giữ cho dụng cụ cất được sắc bén và sạch sẽ.** Những dụng cụ cất được bảo quản tốt có mép cắt sắc sẽ ít bị kẹt hơn và dễ điều khiển hơn.
7. **Sử dụng dụng cụ máy, phụ tùng và đầu dụng cụ cắt, v.v... theo các hướng dẫn này, có tính đến điều kiện làm việc và công việc được thực hiện.** Việc sử dụng dụng cụ máy cho các công việc khác với công việc dự định có thể gây nguy hiểm.

#### **Bảo dưỡng**

1. **Đề nghị viên sửa chữa đủ trình độ bảo dưỡng dụng cụ máy của bạn và chỉ sử dụng các bộ phận thay thế đồng nhất.** Việc này sẽ đảm bảo duy trì được độ an toàn của dụng cụ máy.
2. **Tuân theo hướng dẫn dành cho việc bôi trơn và thay phụ tùng.**
3. **Giữ tay cầm khô, sạch, không dính dầu và mỡ.**

### **Cảnh báo an toàn đối với máy cắt đá**

#### **Cảnh báo an toàn đối với máy cắt**

1. **Phần bảo vệ đi kèm với dụng cụ phải được gắn chặt vào dụng cụ máy và được để ở vị trí an toàn tối đa, do đó số đĩa mài tiếp xúc với người vận hành là ít nhất.** Hãy tìm chỗ đứng cho bản thân mình và những người xung quanh để tránh xa mặt phẳng đĩa mài đang quay. Phần bảo vệ giúp bảo vệ người vận hành khỏi các mảnh đĩa mài bị vỡ và vô tình tiếp xúc với đĩa mài.

2. **Chỉ sử dụng đĩa cắt kim cương cho dụng cụ máy của bạn.** Bởi nếu có thể gắn phụ kiện vào dụng cụ máy của bạn thì điều đó hoàn toàn không đảm bảo việc vận hành máy an toàn.
3. **Tốc độ định mức của phụ kiện ít nhất phải bằng tốc độ tối đa được đánh dấu trên dụng cụ máy này.** Các phụ kiện chạy nhanh hơn tốc độ định mức của chúng có thể bị vỡ và bay ra ngoài.
4. **Chỉ sử dụng đĩa mài cho các ứng dụng được khuyến nghị.** Ví dụ: không mài mặt bên của đĩa mài cắt. Đĩa mài cắt không được dùng để mài ngoại vi, tác dụng lực mặt bên lên những đĩa mài này có thể khiến chúng vỡ vụn.
5. **Luôn luôn sử dụng mặt bích đĩa mài không bị hư hại có đường kính chính xác cho đĩa mài bạn đã chọn.** Các mặt bích đĩa mài phù hợp sẽ hỗ trợ đĩa mài giảm bớt khả năng bị vỡ đĩa mài.
6. **Đường kính bên ngoài và độ dày của phụ kiện phải nằm trong mức đánh giá công suất của dụng cụ máy của bạn.** Các phụ kiện có kích thước không chính xác không thể được bảo vệ hoặc kiểm soát một cách đầy đủ.
7. **Kích thước lỗ trục tâm của đĩa mài và các mặt bích phải khớp với trục quay của dụng cụ máy này.** Mặt bích và đĩa mài có lỗ định vị giữa không khớp với phần cứng lắp đặt của dụng cụ máy sẽ bị mất cân bằng, rung động quá mức và có thể gây ra mất kiểm soát.
8. **Không sử dụng đĩa mài đã hỏng. Trước mỗi lần sử dụng, hãy kiểm tra đĩa mài xem có các mặt vụn và vết nứt hay không. Nếu dụng cụ máy hoặc đĩa mài bị rơi, hãy kiểm tra hư hỏng hoặc lắp lại đĩa mài không bị hư hại. Sau khi kiểm tra và cài đặt đĩa mài, hãy tìm chỗ đứng cho bản thân mình và những người xung quanh để tránh xa mặt phẳng đĩa mài quay và chạy dụng cụ máy này ở tốc độ không tải tối đa trong vòng một phút.** Đĩa mài bị hư hỏng thông thường sẽ bị vỡ trong thời gian thử nghiệm này.
9. **Mang thiết bị bảo hộ cá nhân. Tuy thuộc vào việc sử dụng máy, hãy dùng mũ nạ bảo vệ mặt, kính bảo hộ hoặc kính an toàn. Khi thích hợp, hãy mang mặt nạ chống bụi, dụng cụ bảo vệ thính giác, găng tay và tạp dề công xường có khả năng ngăn chặn các mảnh mài mòn hoặc mảnh vỡ từ phôi gia công.** Thiết bị bảo vệ mắt phải có khả năng ngăn chặn các mảnh vụn bay ra phát sinh bởi các hoạt động khác nhau. Mặt nạ chống bụi hoặc khẩu trang phải có khả năng lọc được các hạt tạo ra bởi hoạt động của bạn. Tiếp xúc kéo dài với tiếng ồn có cường độ cao có thể gây ra mất thính giác.
10. **Giữ những người xung quanh tránh xa nơi làm việc một khoảng cách an toàn. Bắt cứ ai bước vào khu vực làm việc đều phải đeo thiết bị bảo hộ cá nhân.** Các mảnh vỡ của phôi gia công hoặc đĩa mài bị vỡ có thể bắn ra và gây thương tích bên ngoài khu vực thao tác cạnh đó.
11. **Chỉ cầm dụng cụ máy bằng bề mặt kẹp cách điện khi thực hiện một thao tác trong đó bộ phận cắt có thể tiếp xúc với dây dẫn kim hoặc dây của chính nó.** Phụ kiện cắt tiếp xúc với dây dẫn "có điện" có thể khiến các bộ phận kim loại bị hở của dụng cụ máy "có điện" và làm cho người vận hành bị điện giật.
12. **Đặt dây dẫn không để vướng phụ kiện quay.** Nếu bạn bị mất kiểm soát, dây dẫn có thể bị cắt hoặc bị quấn và bàn tay hoặc cánh tay của bạn có thể bị kéo vào đĩa mài quay đó.
13. **Không bao giờ đặt dụng cụ máy xuống cho đến khi phụ kiện đã dừng hẳn.** Đĩa mài quay có thể quán lấy bề mặt và kéo công cụ máy vượt khỏi tầm kiểm soát của bạn.
14. **Không được chạy dụng cụ máy trong lúc đang mang bên hông bạn.** Tiếp xúc bất ngờ với phụ kiện quay có thể quán lấy quần áo của bạn, kéo phụ kiện vướng vào người bạn.
15. **Thường xuyên làm sạch các lỗ thông hơi của dụng cụ máy.** Quạt của động cơ sẽ thu hút bụi vào bên trong vỏ và nhiều bộ kim loại tích tụ có thể gây ra các nguy hiểm về điện.
16. **Không vận hành công cụ máy gần các vật liệu dễ cháy.** Các tia lửa có thể kích cháy các vật liệu này.

#### **Lực đẩy ngược và cảnh báo liên quan**

Lực đẩy ngược là một phản ứng bất ngờ đối với đĩa mài đang quay nhưng bị kẹt hoặc bị quán. Việc bị kẹt hoặc quán sẽ làm đĩa mài đang quay bị dừng nhanh chóng và do đó dụng cụ máy không kiểm soát được sẽ bị buộc phải theo hướng đối diện hướng quay của đĩa mài tại điểm bị ràng buộc.

Ví dụ, nếu đĩa nhám bị quán hoặc kẹt bởi phôi gia công, phần mép của đĩa đang đi vào điểm kẹt có thể cày xới bề mặt vật liệu làm đĩa nhám trước hoặc văng ra ngoài. Đĩa nhám có thể hoặc bật ra về gần hoặc xa khỏi người vận hành, tùy thuộc vào hướng chuyển động của đĩa nhám tại điểm kẹt. Đĩa nhám cũng có thể bị vỡ trong những tình trạng sau.

Lực đẩy ngược là kết quả của việc sử dụng dụng cụ máy không đúng và/hoặc do các quy trình vận hành hoặc các điều kiện không chính xác và có thể tránh được bằng cách thực hiện các biện pháp phòng ngừa thích hợp như được nêu dưới đây.

1. **Nắm giữ chắc dụng cụ máy và chọn thế đứng và vị trí tay cầm để cho phép bạn chống lại lực đẩy ngược.** Luôn luôn sử dụng tay cầm phụ, nếu được cung cấp, để kiểm soát tối đa lực đẩy ngược hoặc mô-men xoắn trong lúc khởi động. Người vận hành máy có thể kiểm soát mô-men xoắn hay lực đẩy ngược nếu thực hiện các biện pháp phòng ngừa đúng cách.
2. **Không bao giờ đặt tay bạn gần phụ kiện quay.** Phụ kiện có thể quay ngược lại lên tay bạn.
3. **Không được để cơ thể bạn thẳng hàng với đĩa mài đang quay.** Lực đẩy ngược sẽ làm xoay dụng cụ theo hướng ngược lại chuyển động của đĩa mài tại vị trí bị quán.
4. **Cần đặc biệt cẩn thận khi thao tác với các cạnh góc, mép sắc, v.v...** Tránh làm dội ra và quán vào phụ kiện. Các góc, mép sắc hoặc dội ra có xu hướng làm quán lấy phụ kiện đang quay và gây mất kiểm soát hoặc tạo lực đẩy ngược.
5. **Không được gắn lưới cửa xích, khác gỗ, đĩa mài kim cương hình quạt với khoảng cách ngoài vi lớn hơn 10 mm hoặc dính kèm lưới cửa có răng.** Các loại lưới như vậy thường tạo ra lực đẩy ngược và dễ mất kiểm soát.

6. Không làm “kẹt” đĩa mài hoặc dùng lực quá nhiều. Không cố thực hiện chiều sâu cắt quá mức. Dùng lực quá nhiều lên đĩa mài sẽ làm tăng tải trọng và dễ bị xoắn hoặc bó kẹt đĩa mài khi cắt và có khả năng đẩy ngược hoặc bị vỡ đĩa mài.
7. Khi lưỡi cắt bị bó kẹt hoặc khi đường cắt bị gián đoạn vì bất kỳ lý do nào, hãy tắt dụng cụ máy và giữ dụng cụ máy đứng im cho đến khi đĩa mài hoàn toàn dừng lại. Không được cố gỡ đĩa mài ra khỏi đường cắt khi đĩa mài vẫn đang chuyển động nếu không có thể xảy ra hiện tượng bật ngược lại. Kiểm tra và tiến hành khắc phục để loại bỏ nguyên nhân gây bó kẹt đĩa mài.
8. Không khởi động lại thao tác cắt trong phôi gia công. Để đĩa mài đạt đến tốc độ tối đa và cần thận nhập lại đường cắt. Đĩa mài có thể bị bó kẹt, bật lên hoặc bật ngược lại nếu dụng cụ máy được khởi động lại trong phôi gia công.
9. Đỡ tấm ván hoặc phôi gia công có kích thước quá lớn để giảm thiểu nguy cơ làm kẹt bó đĩa và bật ngược lại. Phôi gia công lớn thường có xu hướng võng xuống do khối lượng của nó. Phải đặt các giá đỡ dưới phôi gia công gần đường cắt và gần cạnh của phôi gia công ở cả hai phía của đĩa mài.
10. Đặc biệt cần trọng khi thực hiện “cắt luân” vào các tường có sẵn hoặc các vùng khó nhìn khác. Đĩa mài nhỏ ra có thể cắt phải ống ga hoặc ống nước, dây điện hoặc các vật có khả năng gây nên hiện tượng bật lại.

#### Cảnh báo An toàn Bổ sung:

1. Trước khi sử dụng đĩa mài kim cương hình quạt, phải đảm bảo đĩa mài kim cương có khoảng cách ngoại vi giữa các chạc bánh răng là 10 mm hoặc ít hơn, chỉ với một góc nghiêng âm.
2. Không được cố cắt bằng dụng cụ bị kẹt lộn ngược trong dụng cụ kẹp. Điều này có thể dẫn tới những tai nạn nghiêm trọng, vì cực kỳ nguy hiểm.
3. Một số vật liệu có thể chứa hóa chất độc hại. Phải cẩn trọng tránh hít phải bụi và để tiếp xúc với da. Tuân theo dữ liệu an toàn của nhà cung cấp vật liệu.
4. Cắt giữ đĩa mài theo các khuyến nghị của nhà sản xuất. Cắt giữ không đúng cách có thể làm hỏng đĩa mài.

## LƯU GIỮ CÁC HƯỚNG DẪN NÀY.

**⚠CẢNH BÁO:** KHÔNG vì đã thoải mái hay quen thuộc với sản phẩm (có được do sử dụng nhiều lần) mà không tuân thủ nghiêm ngặt các quy định về an toàn dành cho sản phẩm này. VIỆC DÙNG SAI hoặc không tuân theo các quy định về an toàn được nêu trong tài liệu hướng dẫn này có thể dẫn đến thương tích cá nhân nghiêm trọng.

## MÔ TẢ CHỨC NĂNG

**⚠THẬN TRỌNG:** Luôn bảo đảm rằng dụng cụ được tắt điện và rút phích cắm trước khi điều chỉnh hoặc kiểm tra chức năng của dụng cụ.

### Điều chỉnh chiều sâu cắt

Nói lỏng bu-lông tai vặn trên thanh dẫn đo sâu và di chuyển bệ lên hoặc xuống. Ở chiều sâu cắt mong muốn, cố định bệ bằng cách vặn chặt bu-lông tai vặn.

► **Hình1:** 1. Bu-lông tai vặn 2. Đế

**⚠THẬN TRỌNG:** Sau khi điều chỉnh chiều sâu cắt, luôn vặn chặt bu-lông tai vặn.

### Ngắm

Căn chỉnh cạnh mặt trước của đế theo đường cắt của bạn trên phôi gia công.

► **Hình2**

### Hoạt động công tắc

**⚠THẬN TRỌNG:** Trước khi cắm điện vào dụng cụ, luôn luôn kiểm tra xem cần khởi động công tắc có hoạt động bình thường hay không và trả về vị trí “OFF” (TẮT) khi nhả ra.

► **Hình3:** 1. Cần khởi động công tắc 2. Nút khóa / Nút Nhà khóa

#### Đối với dụng cụ có nút khóa

Để khởi động dụng cụ, chỉ cần kéo cần khởi động công tắc. Nhà cần khởi động công tắc ra để dừng. Để vận hành liên tục, hãy kéo cần khởi động công tắc, nhấn nút khóa và sau đó nhà cần khởi động công tắc ra. Để dừng dụng cụ từ vị trí đã khóa, hãy kéo cần khởi động hết cỡ, sau đó nhà nó ra.

**⚠THẬN TRỌNG:** Công tắc có thể khóa ở vị trí “ON” (BẬT) để người vận hành dễ dàng thuận tiện trong quá trình sử dụng kéo dài. Cần hết sức cẩn trọng khi khóa dụng cụ ở vị trí “ON” (BẬT) và phải luôn giữ chặt dụng cụ.

#### Đối với dụng cụ có nút nhà khóa

Để ngăn ngừa vô tình kéo bộ khởi động công tắc, dụng cụ được trang bị một nút nhà khóa. Để khởi động dụng cụ, nhấn nút nhà khóa và kéo cần khởi động công tắc. Nhà cần khởi động công tắc ra để dừng.

**⚠CẢNH BÁO:** KHÔNG ĐƯỢC PHÉP sử dụng dụng cụ này nếu nó chạy khi bạn chỉ kéo cần khởi động công tắc mà không nhấn nút nhà khóa. Một công tắc cần sửa có thể dẫn đến vận hành vô tình và thương tích cá nhân nghiêm trọng. Hãy trả dụng cụ lại cho một trung tâm dịch vụ Makita để sửa chữa phù hợp TRƯỚC KHI sử dụng tiếp sau này.

**⚠CẢNH BÁO:** KHÔNG ĐƯỢC PHÉP làm hỏng nút nhà khóa bằng cách buộc xuống hoặc một số cách khác. Một nút nhà khóa không hiệu quả có thể dẫn đến vận hành vô tình và thương tích cá nhân nghiêm trọng.

**⚠ THẬN TRỌNG:** Không được kéo mạnh cần khởi động công tắc mà không nhấn nút nhà khóa. Điều này có thể làm gãy nứt công tắc.

Đổi với các dụng cụ không có nút khóa/nút nhà khóa

Để khởi động dụng cụ, chỉ cần kéo cần khởi động công tắc. Nhà cần khởi động công tắc ra để dừng.

## LẮP RÁP

**⚠ THẬN TRỌNG:** Luôn luôn đảm bảo rằng dụng cụ đã được tắt và tháo phích cắm trước khi dùng dụng cụ thực hiện bất cứ công việc nào.

### Tháo hoặc lắp đĩa mài kim cương (phụ kiện tùy chọn)

**⚠ THẬN TRỌNG:** Luôn đảm bảo rằng dụng cụ này đã được tắt và rút phích cắm trước khi lắp hoặc tháo đĩa mài kim cương.

**⚠ THẬN TRỌNG:** ĐẢM BẢO ĐÃ VẬN CHẶT BU-LÔNG SÁU CẠNH. Đồng thời phải cẩn thận để không dùng sức vận chặt các bu-lông. Cờ lê sáu cạnh trượt khỏi tay bạn có thể gây ra thương tích cá nhân.

**⚠ THẬN TRỌNG:** Chỉ sử dụng cờ lê Makita và cờ lê sáu cạnh để tháo hoặc lắp đĩa mài.

Để tháo đĩa mài kim cương, giữ vành ngoài bằng cờ lê và vận bu-lông sáu cạnh theo chiều kim đồng hồ bằng cờ lê sáu cạnh. Sau đó tháo bu-lông sáu cạnh, vành ngoài và đĩa mài kim cương.

► **Hình4:** 1. Cờ lê 2. Cờ lê sáu cạnh 3. Đĩa mài kim cương

Để lắp đĩa mài, hãy làm ngược lại quy trình tháo ra. Luôn luôn lắp đĩa mài sao cho mũi tên trên đĩa mài kim cương chỉ cùng hướng với mũi tên trên vỏ lưới cắt. Đảm bảo đã vận bu-lông sáu cạnh ngược chiều kim đồng hồ thật chặt.

► **Hình5:** 1. Vành trong 2. Đĩa mài kim cương 3. Vành ngoài 4. Bu-lông lục giác

### Cắt giữ cờ lê sáu cạnh

► **Hình6:** 1. Cờ lê sáu cạnh

Khi không sử dụng, cắt giữ cờ lê sáu cạnh như được minh họa trong hình để tránh làm mất.

### Dòng nước (Phụ kiện tùy chọn)

#### Chỉ dành cho dụng cụ có ống nước

Trước tiên, rút phích cắm điện của dụng cụ. Nới lỏng bu-lông tại vận trên thanh dẫn đo sâu và di chuyển bộ xuống. Lắp ống nước lên trên vỏ lưới cắt và cố định nó bằng ốc xiết.

Gắn ống nhựa vinyl vào ống nước và gắn đầu chuyển trên ống nhựa vinyl vào vòi áp suất nước chính. Điều chỉnh lượng dòng nước bằng cách điều chỉnh vòi nước.

► **Hình7:** 1. Vòi nước 2. Bu-lông tại vận 3. Ống nước

#### Chỉ dành cho dụng cụ có ống nhựa vinyl

Đặt ống nhựa vinyl vào giá để ống giống như vận vít để sử dụng đĩa mài kim cương không thể bị kẹt hoặc gián đoạn.

► **Hình8:** 1. Giá để ống 2. Ống nhựa vinyl

## VẬN HÀNH

**⚠ THẬN TRỌNG:** DỤNG CỤ NÀY CHỈ NÊN SỬ DỤNG TRÊN BỀ MẶT NÀM NGANG.

**⚠ THẬN TRỌNG:** Đảm bảo di chuyển dụng cụ về phía trước theo một đường thẳng và nhẹ nhàng. Dùng lực và gây áp lực quá mức hoặc để cho đĩa mài bị cong, bị kẹp hoặc bị xoắn khi cắt có thể làm động cơ quá nhiệt và đẩy ngược dụng cụ rất nguy hiểm.

Cầm chắc dụng cụ. Đặt tấm để lên phôi gia công cần cắt mà không có đĩa mài kim cương thực hiện bất kỳ tiếp xúc nào. Sau đó bật dụng cụ lên và chờ đến khi đĩa mài kim cương đạt tốc độ tối đa. Giờ chỉ cần di chuyển phần thân dụng cụ về phía trước bên trên bề mặt phôi gia công, giữ cho nó bằng phẳng và đưa về trước nhẹ nhàng cho đến khi hoàn tất việc cắt. Giữ cho đường cắt thẳng và tốc độ chuyển động tiến đồng đều.

► **Hình9**

# BẢO TRÌ

**⚠ THẬN TRỌNG:** Luôn bảo đảm rằng dụng cụ được tắt điện và rút phích cắm trước khi thử thực hiện việc kiểm tra hoặc bảo trì.

**CHÚ Ý:** Không được phép dùng xăng, ét xăng, dung môi, cồn hoặc hóa chất tương tự. Có thể xảy ra hiện tượng mất màu, biến dạng hoặc nứt vỡ.

## Sau khi sử dụng

Vệ sinh bụi bẩn bên trong dụng cụ bằng cách chạy dụng cụ ở chế độ chờ một lúc. Chà bỏ bụi tích tụ trên đế. Bụi tích tụ trong động cơ hoặc trên đế có thể gây hư hỏng cho dụng cụ.

## Thay chổi than

Kiểm tra chổi than thường xuyên.

Thay chổi than khi chúng bị mòn dưới vạch giới hạn.

Giữ các chổi than sạch và có thể trượt dễ dàng vào chỗ giữ chổi. Cả hai chổi than phải được thay thế cùng một lúc. Chỉ sử dụng các chổi than giống nhau.

► **Hình10:** 1. Vạch giới hạn

Sử dụng máy bắt vít để tháo nắp giá đỡ chổi than. Tháo chổi than đã mòn ra, lắp chổi than mới và cố định nắp giữ chổi than.

► **Hình11:** 1. Máy bắt vít 2. Nắp giữ chổi

Để đảm bảo ĐỘ AN TOÀN và ĐỘ TIN CẬY của sản phẩm, việc sửa chữa hoặc bất cứ thao tác bảo trì, điều chỉnh nào đều phải được thực hiện bởi các Trung tâm Dịch vụ Nhà máy hoặc Trung tâm được Makita Ủy quyền và luôn sử dụng các phụ tùng thiết bị thay thế của Makita.

## ข้อมูลจำเพาะ

รุ่น:	M4100
เส้นผ่านศูนย์กลางลูกล้อ	110 mm
เส้นผ่านศูนย์กลางของรู	20 mm
ความหนาล้อสูงสุด	2 mm
ความสามารถในการตัดสูงสุด	32 mm
อัตราความเร็ว (n)	13,000 min <sup>-1</sup>
ความยาวโดยรวม	227 mm
น้ำหนักสุทธิ	2.9 kg
มาตรฐานความปลอดภัย	☐/II

- เนื่องจากการค้นคว้าวิจัยและพัฒนาอย่างต่อเนื่อง ข้อมูลจำเพาะในเอกสารฉบับนี้อาจเปลี่ยนแปลงได้โดยไม่ต้องแจ้งให้ทราบล่วงหน้า
- ข้อมูลจำเพาะอาจแตกต่างกันไปในแต่ละประเทศ
- น้ำหนักตามข้อบังคับของ EPTA 01/2003

## สัญลักษณ์

ต่อไปนี้เป็นสัญลักษณ์ที่อาจใช้สำหรับอุปกรณ์ โปรดศึกษาความหมายของสัญลักษณ์ให้เข้าใจก่อนการใช้งาน



อ่านคู่มือการใช้งาน



ฉนวนสองชั้น



สวมแว่นตานิรภัย



สำหรับประเทศในสหภาพยุโรปเท่านั้น ห้ามทิ้งอุปกรณ์ไฟฟ้าพร้อมกับขยะครัวเรือนทั่วไป! เพื่อให้เป็นไปตามกฎระเบียบของยุโรปเกี่ยวกับขยะจำพวกอุปกรณ์ไฟฟ้าและอิเล็กทรอนิกส์ และการปฏิบัติตามกฎหมายในประเทศ ต้องเก็บอุปกรณ์ไฟฟ้าทั้งหมดอายุการใช้งานแล้วแยกต่างหาก และส่งกลับไปยังศูนย์รีไซเคิลที่เป็นมิตรต่อสิ่งแวดล้อม

## จุดประสงค์การใช้งาน

เครื่องมือชนิดนี้ใช้เพื่อตัดอิฐ คอนกรีต และหิน

## แหล่งจ่ายไฟ

ควรเชื่อมต่อเครื่องมือกับแหล่งจ่ายไฟที่มีแรงดันไฟฟ้าตามที่ระบุไว้ในป้ายข้อมูลของเครื่องมือ และต้องใช้ไฟฟ้ากระแสสลับแบบเฟสเดียวเท่านั้น อุปกรณ์นี้ได้รับการหุ้มฉนวนสองชั้นและสามารถใช้กับปลั๊กไฟที่ไม่มีสายดินได้

## คำเตือนด้านความปลอดภัยของเครื่องมือไฟฟ้าทั่วไป

**⚠ คำเตือน:** อ่านคำเตือนด้านความปลอดภัยและคำแนะนำทั้งหมด การไม่ปฏิบัติตามคำเตือนและคำแนะนำดังกล่าวอาจส่งผลให้ไฟฟ้าช็อต ไฟไหม้ และ/หรือได้รับบาดเจ็บร้ายแรง

## เก็บรักษาคำเตือนและคำแนะนำทั้งหมดไว้เป็นข้อมูลอ้างอิงในอนาคต

คำว่า “เครื่องมือไฟฟ้า” ในคำเตือนนี้หมายถึงเครื่องมือไฟฟ้า (มีสาย) ที่ทำงานโดยใช้กระแสไฟฟ้าหรือเครื่องมือไฟฟ้า (ไร้สาย) ที่ทำงานโดยใช้แบตเตอรี่



## ความปลอดภัยของพื้นที่ทำงาน

1. ดูแลพื้นที่ทำงานให้มีความสะอาดและมีแสงไฟสว่าง พื้นที่รกกระะระหรือมืดที่บอาจนำไปสู่การเกิดอุบัติเหตุได้
2. อย่าใช้งานเครื่องมือไฟฟ้าในสภาพที่อาจเกิดการระเบิด เช่น ในสถานที่ที่มีของเหลว ก๊าซ หรือฝุ่นที่มีคุณสมบัติไวไฟ เครื่องมือไฟฟ้าอาจสร้างประกายไฟและจุดชนวนฝุ่นผงหรือก๊าซดังกล่าว
3. ดูแลไม่ให้มีเด็ก หรือบุคคลอื่นอยู่ในบริเวณที่กำลังใช้เครื่องมือไฟฟ้า การมีสิ่งรบกวนสมาธิอาจทำให้คุณสูญเสียการควบคุม

## ความปลอดภัยด้านไฟฟ้า

1. ปลั๊กของเครื่องมือไฟฟ้าต้องพอดีกับเต้ารับ อย่าดัดแปลงปลั๊กไม่ว่ากรณีใดๆ อย่าใช้ปลั๊กอะแดปเตอร์กับเครื่องมือไฟฟ้าที่ต่อสายดิน ปลั๊กที่ไม่ถูกดัดแปลงและเต้ารับที่เข้ากันพอดีจะช่วยลดความเสี่ยงของการเกิดไฟฟ้าช็อต
2. ระวังอย่าให้ร่างกายสัมผัสกับพื้นผิวที่ต่อสายดิน เช่น ท่อ เครื่องนำความร้อน เต้าหุงต้ม และตู้เย็น มีความเสี่ยงที่จะเกิดไฟฟ้าช็อตสูงขึ้น หากร่างกายของคุณสัมผัสกับพื้น
3. อย่าให้เครื่องมือไฟฟ้าถูกน้ำหรืออยู่ในสภาพเปียกชื้น น้ำที่ไหลเข้าไปในเครื่องมือไฟฟ้าจะเพิ่มความเสี่ยงของการเกิดไฟฟ้าช็อต
4. อย่าใช้สายไฟอย่างไม่เหมาะสม อย่าใช้สายไฟเพื่อยก ดึง หรือถอดปลั๊กเครื่องมือไฟฟ้า เก็บสายไฟให้ห่างจากความร้อน น้ำมัน ของมีคม หรือชิ้นส่วนที่เคลื่อนที่ สายที่ชำรุดหรือพันกันจะเพิ่มความเสี่ยงของการเกิดไฟฟ้าช็อต
5. ขณะที่ใช้งานเครื่องมือไฟฟ้านอกอาคาร ควรใช้สายต่อพ่วงที่เหมาะสมกับงานภายนอกอาคาร การใช้สายที่เหมาะสมกับงานภายนอกอาคารจะลดความเสี่ยงของการเกิดไฟฟ้าช็อต
6. หากต้องใช้งานเครื่องมือไฟฟ้าในสถานที่เปียกชื้น ให้ใช้อุปกรณ์ป้องกันกระแสไฟรั่ว (RCD) การใช้ RCD จะลดความเสี่ยงของการเกิดไฟฟ้าช็อต
7. แนะนำให้ใช้แหล่งจ่ายไฟผ่าน RCD ที่มีกระแสไฟรั่วในอัตราไม่เกิน 30 mA เสมอ

## ความปลอดภัยส่วนบุคคล

1. ให้ระมัดระวังและมึสติอยู่เสมอขณะใช้งานเครื่องมือไฟฟ้า อย่าใช้งานเครื่องมือไฟฟ้าในขณะที่คุณกำลังเหนื่อย หรือในสภาพที่มึนเมาจากยาเสพติด เครื่องดื่ม แอลกอฮอล์ หรือการกินยา ช่วงเวลาที่ขาดความระมัดระวังเมื่อกำลังใช้งานเครื่องมือไฟฟ้าอาจทำให้ได้รับบาดเจ็บร้ายแรง
2. ใช้อุปกรณ์ป้องกันส่วนบุคคล สวมแว่นตาป้องกันเสมอ อุปกรณ์ป้องกัน เช่น หน้ากากกันฝุ่น รองเท้านิรภัย กันสั่น หมวกนิรภัย หรือเครื่องป้องกันการได้ยินที่ใช้ในสภาพที่เหมาะสมจะช่วยลดการบาดเจ็บ
3. ป้องกันไม่ให้เกิดการเปิดใช้งานโดยไม่ตั้งใจ ตรวจสอบให้แน่ใจว่าสวิตช์ปิดอยู่ก่อนที่จะเชื่อมต่อกับแหล่งจ่ายไฟ และ/หรือชุดแบตเตอรี่ รวมทั้งตรวจสอบก่อนการยกหรือเคลื่อนย้ายเครื่องมือ การสอดนิ้วมือบริเวณสวิตช์เพื่อถือเครื่องมือไฟฟ้า หรือการชาร์จไฟเครื่องมือไฟฟ้าในขณะที่เปิดสวิตช์อยู่อาจนำไปสู่การเกิดอุบัติเหตุ
4. นำกฎแฉปรับตั้งหรือประแจออกก่อนที่จะเปิดเครื่องมือไฟฟ้า ประแจหรือกฎแฉที่เสียบค้างอยู่ในชิ้นส่วนที่หมุนไของเครื่องมือไฟฟ้าอาจทำให้ได้รับบาดเจ็บ
5. อย่าทำงานในระยะที่สูดเอื้อม จัดท่ากรยืนและการทรงตัวให้เหมาะสมตลอดเวลา เพราะจะทำให้ควบคุมเครื่องมือไฟฟ้าได้ดีขึ้นในสถานการณ์ที่ไม่คาดคิด
6. แต่งกายให้เหมาะสม อย่าสวมเครื่องแต่งกายที่หลวมเกินไป หรือสวมเครื่องประดับ ดูแลไม่ให้เส้นผม เลือ่ผ้า และถุงมืออยู่ใกล้ชิ้นส่วนที่เคลื่อนที่ เลือ่ผ้า รุ่มร่าม เครื่องประดับ หรือผมที่มีความยาวอาจเข้าไปติดในชิ้นส่วนที่เคลื่อนที่
7. หากมีการจัดอุปกรณ์สำหรับดูดและจับฝุ่นไว้ในสถานที่ ให้ตรวจสอบว่าได้เชื่อมต่อและใช้งานอุปกรณ์นั้นอย่างเหมาะสม การใช้เครื่องดูดและจับฝุ่นจะช่วยลดอันตรายที่เกิดจากฝุ่นผงได้

## การใช้และดูแลเครื่องมือไฟฟ้า

1. อย่าฝืนใช้เครื่องมือไฟฟ้า ใช้เครื่องมือไฟฟ้าที่เหมาะสมกับการใช้งานของคุณ เครื่องมือไฟฟ้าที่เหมาะสมจะทำให้ได้งานที่มีประสิทธิภาพและปลอดภัยกว่าตามขีดความสามารถของเครื่องที่ได้รับการออกแบบมา
2. อย่าใช้เครื่องมือไฟฟ้า หากสวิตช์ไม่สามารถเปิดปิดได้ เครื่องมือไฟฟ้าที่ควบคุมด้วยสวิตช์ไม่ได้เป็นสิ่งอันตรายและต้องได้รับการซ่อมแซม

## คำเตือนด้านความปลอดภัยของหัวตัด

3. ถอดปลั๊กจากแหล่งจ่ายไฟ และ/หรือชุดแบตเตอรี่ออกจากเครื่องมือไฟฟ้าก่อนทำการปรับตั้ง เปลี่ยนอุปกรณ์เสริม หรือจัดเก็บเครื่องมือไฟฟ้า วิธีการป้องกันด้านความปลอดภัยดังกล่าวจะช่วยลดความเสี่ยงของการเปิดใช้งานเครื่องมือไฟฟ้าอย่างไม่ตั้งใจ
4. จัดเก็บเครื่องมือไฟฟ้าที่ไม่ได้ใช้งานให้ห่างจากมือเด็ก และอย่าอนุญาตให้บุคคลที่ไม่คุ้นเคยกับเครื่องมือไฟฟ้าหรือคำแนะนำเหล่านี้ใช้งานเครื่องมือไฟฟ้า เครื่องมือไฟฟ้าจะเป็นอันตรายเมื่ออยู่ในมือของผู้ที่ไม่ได้รับการฝึกอบรม
5. การดูแลรักษาเครื่องมือไฟฟ้า ตรวจสอบการประกอบที่ไม่ถูกต้องหรือการเชื่อมต่อของชิ้นส่วนที่เคลื่อนที่ การแตกหักของชิ้นส่วน หรือสภาพอื่น ๆ ที่อาจส่งผลกระทบต่อการทำงานของเครื่องมือไฟฟ้า หากมีความเสียหาย ให้นำเครื่องมือไฟฟ้าไปซ่อมแซมก่อนการใช้งาน อุบัติเหตุจำนวนมากเกิดจากการดูแลรักษาเครื่องมือไฟฟ้าอย่างไม่ถูกต้อง
6. ทำความสะอาดเครื่องมือตัดและลับให้คมอยู่เสมอ เครื่องมือการตัดที่มีการดูแลอย่างถูกต้องและมีขอบการตัดคมมักจะไม่มีปัญหาติดขัดน้อยและควบคุมได้ง่ายกว่า
7. ใช้เครื่องมือไฟฟ้า อุปกรณ์เสริม และวัสดุสิ้นเปลือง ฯลฯ ตามคำแนะนำดังกล่าว พิจารณาสภาพการทำงานและงานที่จะลงมือทำ การใช้เครื่องมือไฟฟ้าเพื่อทำงานอื่นนอกเหนือจากที่กำหนดไว้ อาจทำให้เกิดอันตราย

### การซ่อมบำรุง

1. นำเครื่องมือไฟฟ้าเข้ารับบริการจากช่างซ่อมที่ผ่านการรับรองโดยใช้อะไหล่แบบเดียวกันเท่านั้น เพราะจะทำให้การใช้เครื่องมือไฟฟ้ามีความปลอดภัย
2. ปฏิบัติตามคำแนะนำในการหล่อลื่นและการเปลี่ยนอุปกรณ์เสริม
3. ดูแลมือจับให้แห้ง สะอาด และไม่มันมันและจะบีบเนียน

### คำเตือนด้านความปลอดภัยของเครื่องตัด

1. ที่ป้องกันที่ให้กับเครื่องมือจะต้องยึดไว้กับเครื่องมือไฟฟ้าอย่างแน่นหนาและวางไว้ในตำแหน่งที่มีความปลอดภัยสูงสุด เพื่อให้ส่วนล้อหันเข้าหาผู้ปฏิบัติงานน้อยที่สุด ให้ตัวคุณเองและผู้ที่อยู่ข้างเคียงอยู่ห่างจากบริเวณที่ล้อหมุน ที่ป้องกันจะช่วยป้องกันผู้ปฏิบัติงานจากเศษล้อแตกและการสัมผัสกับล้อโดยไม่ตั้งใจ
2. ใช้ลูกล้อตัดเพชรกับเครื่องมือไฟฟ้าของคุณเท่านั้น การที่อุปกรณ์เสริมต่างๆ สามารถติดตั้งเข้ากับเครื่องมือไฟฟ้าของคุณได้นั้นไม่ได้เป็นการรับประกันว่าจะสามารถใช้งานร่วมกับอุปกรณ์ดังกล่าวได้อย่างปลอดภัย
3. อัตราความเร็วของอุปกรณ์เสริมนั้นอย่างน้อยต้องเท่ากับความเร็วสูงสุดที่ระบุไว้ในเครื่องมือไฟฟ้านี้ อุปกรณ์เสริมที่ทำงานด้วยความเร็วกว่าอัตราความเร็วของตนอาจจะแตกหักหรือกระเด็นออกมาได้
4. ต้องใช้งานล้อในลักษณะการใช้งานที่แนะนำเท่านั้น ตัวอย่างเช่น อย่าขัดด้วยด้านข้างของลูกล้อตัด ลูกล้อตัดแบบขัดใช้เพื่อขัดรอบวง แรงด้านข้างที่กระทำต่อลูกล้อเหล่านี้ อาจทำให้ลูกล้อแตกและเหวี่ยงได้
5. ใช้แต่แกนล้อที่ไม่เสียหายและมีเส้นผ่านศูนย์กลางตรงกับลูกล้อที่ใช้เท่านั้น แกนล้อที่ถูกตัดจะรองรับลูกล้อได้อย่างมีประสิทธิภาพจึงสามารถลดโอกาสในการเสียหายของลูกล้อได้
6. เส้นผ่านศูนย์กลางภายนอกและความหนาของอุปกรณ์เสริมของคุณจะต้องอยู่ในอัตราความสามารถของเครื่องมือไฟฟ้าของคุณ อุปกรณ์เสริมที่มีขนาดไม่เหมาะสมจะไม่สามารถควบคุมหรือป้องกันได้อย่างมีประสิทธิภาพ
7. ขนาดรอกของลูกล้อและแกนต้องสามารถติดตั้งเข้ากับเพลลาของเครื่องมือไฟฟ้าได้แน่นพอดี ลูกล้อและแกนพร้อมด้วยข้อใส่แกนที่มีขนาดไม่พอดีที่จะติดตั้งอุปกรณ์ของเครื่องมือไฟฟ้าจะไม่สามารถทำงานได้อย่างสมดุล มีอาการสั่นมากเกินไป และอาจทำให้ไม่สามารถควบคุมได้

8. ห้ามใช้ลูกล้อที่เสียหาย ก่อนการใช้งานทุกครั้ง โปรดตรวจสอบร่องรอยความเสียหายของลูกล้อ หากลูกล้อหรือเครื่องมือไฟฟ้าตกลงพื้น ให้ตรวจสอบความเสียหายและติดตั้งลูกล้อที่ไม่มี ความเสียหาย หลังจากการตรวจสอบและการติดตั้งลูกล้อ ให้ตัวคุณเองและผู้อยู่ใกล้เคียงอยู่ห่างจากบริเวณที่ลูกล้อหมุนและเปิดเครื่องมือไฟฟ้าที่ความเร็วหมุนเปล่าสูงสุดเป็นเวลาหนึ่งนาที โดยปกติแล้ว ล้อที่เสียหายจะแตกออกในระหว่างเวลาการทดสอบนี้
9. สวมอุปกรณ์ป้องกันส่วนบุคคล ขึ้นอยู่กับรูปแบบการใช้งานของคุณ ให้ใช้หมวก หน้าที่การนิรภัยหรือแว่นนิรภัย สวมหมวกกันน็อกกันฝุ่น ที่ป้องกันเสียง ดึงมือและผ้ากันเปื้อนที่สามารถป้องกันการกระเด็นของชิ้นงานได้ตามความเหมาะสม อุปกรณ์ป้องกันดวงตาจะต้องสามารถป้องกันฝุ่นหรือสิ่งสกปรกที่กระเด็นจากการทำงานได้ หมวกกันน็อกกันฝุ่นหรือที่ช่วยหายใจจะต้องสามารถกรองอนุภาคที่เกิดจากการทำงานของคุณได้ การฟังเสียงดังมากๆ เป็นเวลานาน อาจทำให้ระบบการได้ยินเสียหายได้
10. โปรดกันไม่ให้ผู้ไม่เกี่ยวข้องอยู่ห่างจากบริเวณที่ปฏิบัติงานในระยยะปลอดภัย ผู้ที่เข้าพื้นที่ปฏิบัติงานจะต้องสวมอุปกรณ์ป้องกันส่วนบุคคล เศษชิ้นงานหรือลูกล้อที่แตกหักอาจจะกระเด็นและก่อให้เกิดอาการบาดเจ็บในสถานที่รอบๆ บริเวณปฏิบัติงานได้
11. ถือเครื่องมือบริเวณมือจับที่เป็นฉนวนเท่านั้น ขณะทำงานที่เครื่องมือตัดอาจสัมผัสกับสายไฟที่ซ่อนอยู่หรือสายไฟของเครื่องเอง หากอุปกรณ์ส่วนที่ใช้ตัดเกิดลัดลัมผัสกับสายไฟที่ “มีกระแสไฟฟ้าไหลผ่าน” อาจทำให้ส่วนที่เป็นโลหะของเครื่องมือไฟฟ้าที่ไม่มีฉนวนหุ้มเกิดกระแสไฟฟ้าไหลผ่านได้ และส่งผลให้ผู้ปฏิบัติงานถูกไฟฟ้าช็อต
12. จัดให้สายไฟอยู่ในบริเวณที่ห่างจากอุปกรณ์ที่หมุน หากคุณสูญเสียการควบคุม สายไฟอาจจะถูกตัดหรือถูกดึงทำให้มือหรือแขนของคุณถูกดึงเข้าไปในลูกล้อที่หมุนได้
13. อย่าวางเครื่องมือไฟฟ้าลงจนกว่าจะหยุดหมุนสนิท ลูกล้อที่กำลังหมุนอาจจะกระทบกับพื้นผิวและทำให้เครื่องมือไฟฟ้าหลุดมือคุณได้
14. อย่าเปิดเครื่องมือไฟฟ้าเมื่อถือไว้ข้างตัวคุณ เนื่องจากการสัมผัสกับอุปกรณ์ที่กำลังหมุนโดยไม่ได้ตั้งใจนั้น อาจพันกับเสื้อผ้าของคุณและดึงอุปกรณ์เข้าสู่ร่างกายของคุณได้
15. โปรดทำความสะอาดระบบอากาศของเครื่องมือไฟฟ้าอย่างสม่ำเสมอ พัดลมของมอเตอร์จะดูดฝุ่นเข้าไปในตัวเครื่องและการมีผงโลหะในตัวเครื่องมากเกินไปอาจทำให้เกิดอันตรายจากกระแสไฟฟ้าได้
16. อย่าใช้เครื่องมือไฟฟ้าใกล้ๆ วัสดุที่ติดไฟได้ เนื่องจากประกายไฟอาจทำให้วัสดุดังกล่าวติดไฟ

**คำเตือนเกี่ยวกับการติดกลับและสิ่งที่เกี่ยวข้อง**  
 การติดกลับคือปฏิกิริยาตอบสนองฉับพลันต่อลูกล้อที่กำลังหมุนแล้วสะดุดหรือติดขัด การสะดุดหรือการติดขัดจะทำให้ลูกล้อที่กำลังหมุนปิกหัวลงอย่างรวดเร็วซึ่งเป็นสาเหตุให้เครื่องมือไฟฟ้าที่ไม่สามารถควบคุมได้เกิดแรงสะท้อนกลับไปยังทิศทางตรงข้ามกับการหมุน ตัวอย่างเช่น หากลูกล้อขี้นสะดุดหรือติดขัดกับชิ้นงานขอบของลูกล้อที่เข้าไปไปยังจุดติดขัดจะเจาะเข้าไปยังพื้นผิวของวัสดุและทำให้ลูกล้อตีตัวขึ้นมา ลูกล้อดังกล่าวอาจจะกระเด็นเข้าหาหรือออกห่างตัวผู้ปฏิบัติงาน ทั้งนี้ขึ้นอยู่กับทิศทางการหมุนของลูกล้อเมื่อเกิดการสะดุด ในกรณีดังกล่าว ลูกล้อขี้อาจจะแตกหักได้ด้วย การติดกลับเป็นผลมาจากการใช้เครื่องมือไฟฟ้าผิดจุดประสงค์ และ/หรือ การใช้ผิดวิธี และสามารถป้องกันได้โดยใช้วิธีการป้องกันดังต่อไปนี้

1. จับตามจับเครื่องมือไฟฟ้าให้แน่นและจัดตำแหน่งร่างกายและแขนให้สามารถต้านทานแรงติดกลับได้ ใช้มือจับเสริมเสมอ ถ้ามี เพื่อให้สามารถควบคุมการติดกลับหรือการสะท้อนของแรงบิดในระหว่างการเริ่มทำงานได้อย่างมีประสิทธิภาพ ผู้ปฏิบัติงานจะสามารถควบคุมแรงสะท้อนของแรงบิดหรือแรงบิดกลับได้หากดำเนินการป้องกันอย่างเหมาะสม
2. อย่าเอามือไว้ใกล้อุปกรณ์หมุน อุปกรณ์ดังกล่าวอาจติดกลับใส่มือคุณได้
3. อย่าให้ร่างกายของคุณอยู่ในระดับเดียวกับลูกล้อที่กำลังหมุน การติดกลับจะทำให้เครื่องมือสะบัดไปยังทิศทางตรงกันข้ามของการเคลื่อนไหวของลูกล้อเมื่อเกิดการสะดุด
4. ใช้ความระมัดระวังเป็นพิเศษเพื่อปฏิบัติงานกับมุมขอบที่มีความแหลมคม ฯลฯ หลีกเลี่ยงการกระแทกและการติดขัดของอุปกรณ์ มุม ขอบที่มีความแหลมคม หรือการกระแทกนั้นอาจทำให้เกิดการสะดุดของอุปกรณ์หมุนและทำให้เสียการควบคุมหรือการติดกลับได้
5. อย่าติดตั้งใบมีดเลียนแบบโซ่ ใบเลื่อยแบบซี่ ลูกล้อเพชรมีร่องโดยช่องว่างรอบวงกว้างกว่า 10 mm หรือใบเลื่อยที่มีพื้น ใบมีดแบบดังกล่าวมักจะทำให้เกิดการติดกลับและสูญเสียการควบคุม

6. อย่าทำให้ลูกล้อ “ติด” หรือใช้แรงดันมากเกินไป พยายามทำความสะอาดในการตัดมากเกินไป การกดดันลูกล้อมากเกินไปจะเป็นการเพิ่มการไหลและความไวที่ลูกล้อจะเกิดการบิดหรือการติดขัดระหว่างการตัด และความเป็นไปได้ในการติดกลับหรือลูกล้อแตก
7. เมื่อลูกล้อติดขัดหรือรบกวนการตัดด้วยเหตุใดๆ ก็ตาม ให้ปิดเครื่องมือไฟฟ้าและถือเครื่องมือไฟฟ้าค้างไว้เฉยๆ จนกว่าลูกล้อจะหยุดสนิท ห้ามพยายามถอดลูกล้อออกจากรอยตัดขณะที่ลูกล้อยังเคลื่อนไหว มิฉะนั้นอาจเกิดการติดกลับได้ ตรวจสอบและแก้ไขเพื่อกำจัดสาเหตุที่ทำให้ลูกล้อติดขัด
8. อย่าเริ่มการตัดชิ้นใหม่โดยที่เครื่องมือคายอยู่ในชิ้นงาน ให้ลูกล้อทำความสะอาดแล้วจึงสอดเข้าไปในรอยตัดอีกครั้งอย่างระมัดระวัง ลูกล้ออาจติดขัด ดั่งหรือติดกลับได้หากเริ่มใช้เครื่องมือไฟฟ้าระหว่างที่ยังคายอยู่ในชิ้นงาน
9. รองรับแผ่นหรือชิ้นงานขนาดใหญ่ต่างๆ เพื่อลดความเสี่ยงในการที่ลูกล้อจะบีบแน่นและติดกลับ ชิ้นงานที่มีขนาดใหญ่มีแนวโน้มที่จะแอ่นลงเนื่องจากน้ำหนักของแผ่นเอง ควรวางที่รองรับไว้ได้ชิ้นงานให้ใกล้กับขอบของชิ้นงานทั้งสองด้านของล้อ
10. ใช้ความระมัดระวังเป็นพิเศษขณะทำการ “ตัดผ่าน” กำแพงที่มีอยู่แล้วหรือพื้นที่มุมอับอื่นๆ ล้อที่ยื่นออกมาอาจตัดทอก๊าซหรือท่อน้ำ สายไฟฟ้าหรือสิ่งของอื่นๆ ที่อาจทำให้เกิดการติดกลับได้

คำเตือนด้านความปลอดภัยเพิ่มเติม:

1. ก่อนใช้ลูกล้อเพชรมีร่อง ตรวจสอบให้แน่ใจว่าลูกล้อเพชรมีช่องว่างรอบวงระหว่างร่องแต่ละร่องไม่เกิน 10 mm สำหรับมุมเอียงเชิงลบเท่านั้น
2. อย่าพยายามตัดด้วยเครื่องมือโดยใช้ที่จับหรือสิ่งอื่นๆ จับเครื่องมือหงายขึ้น การกระทำนี้อาจทำให้เกิดอุบัติเหตุร้ายแรง เนื่องจากเป็นสิ่งที่อันตรายอย่างมาก
3. วัสดุบางอย่างอาจมีสารเคมีที่เป็นพิษ ระวังอย่าสูดดมฝุ่นหรือสัมผัสกับผิวหนัง ปฏิบัติตามข้อมูลด้านความปลอดภัยของผู้ผลิตวัสดุ
4. เก็บลูกล้อไว้ตามคำแนะนำของผู้ผลิต การเก็บรักษาที่ไม่เหมาะสมอาจทำให้ลูกล้อเสียหาย

ปฏิบัติตามคำแนะนำเหล่านี้

**⚠ คำเตือน:** อย่าให้ความไม่ระมัดระวังหรือความคุ้นเคยกับผลิตภัณฑ์ (จากการใช้งานซ้ำหลายครั้ง) อยู่เหนือการปฏิบัติตามกฎเกณฑ์ด้านความปลอดภัยในการใช้งาน ผลิตภัณฑ์อย่างเคร่งครัด การใช้งานอย่างไม่เหมาะสมหรือการไม่ปฏิบัติตามกฎเกณฑ์ด้านความปลอดภัยในคู่มือการใช้งานนี้อาจทำให้ได้รับบาดเจ็บร้ายแรง

## คำอธิบายการทำงาน

**⚠ ข้อควรระวัง:** ตรวจสอบให้แน่ใจว่าได้ปิดสวิตช์เครื่องมือและถอดปลั๊กออกก่อนปรับตั้งหรือตรวจสอบการทำงานของเครื่องมือ

## การปรับความลึกในการตัด

คลายสลักเกลียวหางปลาบนตัวนำวัดความลึกและขยับฐานขึ้นหรือลง เมื่อถึงความลึกในการตัดที่ต้องการแล้ว ให้ยึดฐานไว้โดยขันสลักเกลียวหางปลา

▶ หมายเลข 1: 1. สลักเกลียวหางปลา 2. ฐาน

**⚠ ข้อควรระวัง:** หลังปรับความลึกในการตัดแล้ว ให้ขันสลักเกลียวหางปลาให้แน่นเสมอ

## การเล็ง

ปรับขอบด้านหน้าของฐานให้ตรงกับเส้นตัดบนชิ้นงาน

▶ หมายเลข 2

## การทำงานของสวิตช์

**⚠ ข้อควรระวัง:** ก่อนเสียบปลั๊กเครื่องมือ ให้ตรวจสอบว่าสวิตช์สั่งงานสามารถทำงานได้อย่างถูกต้อง และกลับไปยังตำแหน่ง “OFF” เมื่อปล่อย

▶ หมายเลข 3: 1. สวิตช์สั่งงาน 2. ปุ่มล๊อค/ปุ่มปลดล๊อค

สำหรับเครื่องมือที่มีปุ่มล๊อค

เมื่อต้องการเปิดใช้เครื่องมือ ให้ดึงสวิตช์สั่งงาน ปล่อยสวิตช์สั่งงานเพื่อหยุดทำงาน ถ้าต้องการใช้งานอย่างต่อเนื่อง ดึงสวิตช์สั่งงาน กดปุ่มล๊อคแล้วปล่อยสวิตช์สั่งงาน ถ้าต้องการเลิกใช้งานเครื่องมือในตำแหน่งล๊อค ให้ดึงสวิตช์สั่งงานจนสุด จากนั้นปล่อยสวิตช์

**⚠ ข้อควรระวัง:** สวิตช์สามารถล๊อคในตำแหน่ง “เปิด” เพื่อช่วยให้สะดวกในการใช้งานอย่างต่อเนื่อง ใช้ความระมัดระวังเมื่อล๊อคสวิตช์เครื่องมือในตำแหน่ง “เปิด” และจับเครื่องมือให้แน่นตลอดเวลา

## สำหรับเครื่องมือที่มีปุ่มปลดล๊อค

เพื่อป้องกันไม่ให้สวิตช์สั่งงานถูกดึงโดยไม่ตั้งใจจึงมีปุ่มปลดล๊อคติดตั้งไว้ เพื่อเริ่มใช้งานเครื่องมือ กดปุ่มปลดล๊อคแล้วดึงสวิตช์สั่งงาน ปล่อยสวิตช์สั่งงานเพื่อหยุดทำงาน

**คำเตือน:** ห้ามใช้เครื่องมือหากเครื่องมือสามารถทำงานได้เมื่อคุณดึงสวิตช์สั่งงานโดยไม่ได้กดปุ่มปลดล๊อค สวิตช์ที่ต้องทำการซ่อมแซมอาจทำให้เกิดการใช้งานโดยไม่ตั้งใจและทำให้เกิดการบาดเจ็บร้ายแรงได้ นำเครื่องมือส่งศูนย์บริการ Makita เพื่อการซ่อมแซมก่อนการใช้งาน

**คำเตือน:** ห้ามทำลายปุ่มปลดล๊อคโดยใช้เทปพันหรือวิธีอื่น สวิตช์ที่ปุ่มปลดล๊อคใช้ไม่ได้ อาจทำให้เกิดการใช้งานโดยไม่ตั้งใจและทำให้เกิดการบาดเจ็บร้ายแรงได้

**ข้อควรระวัง:** อย่าดึงสวิตช์สั่งงานแรงๆ โดยไม่ได้กดปุ่มปลดล๊อค การทำเช่นนี้อาจทำให้สวิตช์เสียหายได้

## สำหรับเครื่องมือที่ไม่มีปุ่มล๊อคหรือปุ่มปลดล๊อค

เมื่อต้องการเปิดใช้เครื่องมือ ให้ดึงสวิตช์สั่งงาน ปล่อยสวิตช์สั่งงานเพื่อหยุดทำงาน

## การประกอบ

**ข้อควรระวัง:** ตรวจสอบให้แน่ใจว่าได้ปิดสวิตช์เครื่องมือและถอดปลั๊กออกก่อนดำเนินงานใดๆ กับเครื่องมือ

## การถอดหรือติดตั้งลูกล้อเพชร (อุปกรณ์เสริม)

**ข้อควรระวัง:** ตรวจสอบให้แน่ใจว่าได้ปิดสวิตช์เครื่องมือและถอดปลั๊กออก ก่อนทำการติดตั้งหรือถอดลูกล้อเพชร

**ข้อควรระวัง:** ตรวจสอบให้แน่ใจว่าได้ขันสลักเกลียวหกเหลี่ยมให้แน่น และระวังอย่าฝืนขันสลักเกลียว การที่มือของคุณลื่นหลุดออกจากประแจหกเหลี่ยมอาจทำให้เกิดการบาดเจ็บได้

**ข้อควรระวัง:** ใช้เฉพาะประแจและประแจหกเหลี่ยมของ Makita ที่มีมาให้เพื่อถอดหรือใส่ลูกล้อ

เมื่อต้องการถอดลูกล้อเพชร ให้ยึดแกนตัวนอกไว้ด้วยประแจและหมุนสลักเกลียวหกเหลี่ยมตามเข็มนาฬิกาด้วยประแจหกเหลี่ยม จากนั้นให้ถอดสลักเกลียวหกเหลี่ยม แกนตัวนอก และลูกล้อเพชรออก

- **หมายเลข 4:** 1. ประแจ 2. ประแจหกเหลี่ยม  
3. ลูกล้อเพชร

เมื่อต้องการจะติดตั้งวงล้อกลับเข้าที่เดิม ให้ปฏิบัติย้อนขั้นตอนการถอด ติดตั้งลูกล้อโดยให้ลูกศรบนลูกล้อเพชรชี้ไปในทิศทางเดียวกับลูกศรบนฝาใบเลื่อย ตรวจสอบให้แน่ใจว่าได้ขันสลักเกลียวหกเหลี่ยมทวนเข็มนาฬิกาให้แน่น

- **หมายเลข 5:** 1. แกนตัวใน 2. ลูกล้อเพชร 3. แกนตัวนอก 4. สลักเกลียวหกเหลี่ยม

## การเก็บประแจหกเหลี่ยม

- **หมายเลข 6:** 1. ประแจหกเหลี่ยม

เมื่อไม่ใช้งาน ให้เก็บประแจหกเหลี่ยมตามที่แสดงในภาพเพื่อไม่ให้สูญหาย

## ท่อน้ำไหล (อุปกรณ์เสริม)

### สำหรับเครื่องมือที่มีท่อน้ำเท่านั้น

ขั้นตอนแรก ให้ถอดปลั๊กเครื่องมือก่อน คลายสลักเกลียวหางปลาบนตัวนำวัดความลึกและขยับฐานลง ติดตั้งท่อน้ำบนฝาใบเลื่อยและยึดด้วยสกรู ติดตั้งท่อไวนิลลงบนท่อน้ำและติดตั้งตัวแปลงบนท่อไวนิล เข้ากับก๊อกน้ำแรงดันท่อหลัก ปรับปริมาณน้ำไหลอย่างง่ายๆ โดยปรับก๊อกน้ำ

- **หมายเลข 7:** 1. ก๊อกน้ำ 2. สลักเกลียวหางปลา  
3. ท่อน้ำ

### สำหรับเครื่องมือที่มีท่อไวนิลเท่านั้น

ใส่ท่อไวนิลเข้าไปในที่ยึดท่อเหมือนขันสกรูเข้าไปเพื่อไม่ให้ลูกล้อเพชรที่ใช้งานอยู่ถูกขวางหรือขัดจังหวะ

- **หมายเลข 8:** 1. ที่ยึดท่อ 2. ท่อไวนิล

## การใช้งาน

**⚠ ข้อควรระวัง:** เครื่องมือนี้อาจใช้กับพื้นผิวแนวอนเท่านั้น

**⚠ ข้อควรระวัง:** ตรวจสอบให้แน่ใจว่าขยับเครื่องมือไปข้างหน้าเป็นเส้นตรงและอย่างเบาๆ การฝืนและการใช้แรงดันมากเกินไปหรือทำให้ลูกกลิ้งอวบ บีบแน่นหรือบิดระหว่างการตัดอาจทำให้มอเตอร์มีความร้อนมากเกินไปและเครื่องมือเกิดการตีกลับที่อันตราย

จับเครื่องมือให้แน่น ตั้งค่าแผ่นฐานบนชิ้นงานที่จะตัดโดยไม่ให้ลูกกลิ้งเพชรสัมผัสโดน จากนั้นเปิดสวิตช์เครื่องมือ และรอจนกระทั่งลูกกลิ้งเพชรทำงานด้วยความเร็วเต็มที่ แล้วเลื่อนเครื่องมือไปด้านหน้าบนผิวหน้าชิ้นงาน ให้เครื่องมือในระดับเดิมและเคลื่อนที่ไปอย่างช้าๆ จนกว่าการตัดจะเสร็จสิ้น ให้รักษาเส้นที่จะตัดให้ตรงและรักษาความเร็วในการเดินหน้าให้สม่ำเสมอ

### ▶ หมายเลข 9

## การบำรุงรักษา

**⚠ ข้อควรระวัง:** ตรวจสอบให้แน่ใจว่าได้ปิดสวิตช์เครื่องมือและถอดปลั๊กออกก่อนทำการตรวจสอบหรือบำรุงรักษา

**ข้อสังเกต:** อย่าใช้น้ำมันเชื้อเพลิง เบนซิน ทินเนอร์ แอลกอฮอล์ หรือวัสดุประเภทเดียวกัน เนื่องจากอาจทำให้ลื่นลื่น เสียหาย หรือแตกร้าวได้

## หลังจากการใช้งาน

ทำความสะอาดฝุ่นภายในเครื่องมือโดยใช้งานเครื่องมือที่รอบเดินเบาสักพัก บัดฝุ่นที่สะสมอยู่บนฐานออก ฝุ่นที่สะสมในมอเตอร์หรือบนฐานอาจทำให้เครื่องมือทำงานผิดปกติ

## การเปลี่ยนแปรงคาร์บอน

ตรวจสอบแปรงคาร์บอนเป็นประจำ เปลี่ยนแปรงคาร์บอนเมื่อสึกหรอจนถึงขีดจำกัด รักษาแปรงคาร์บอนให้สะอาด และอย่าให้แปรงคาร์บอนหลุดเข้าไปในที่ยึด ควรเปลี่ยนแปรงคาร์บอนทั้งสองแปรงพร้อมกัน ใช้แปรงคาร์บอนแบบเดียวกันเท่านั้น

### ▶ หมายเลข 10: 1. ขีดจำกัด

ใช้ไขควงเพื่อถอดฝาปิดที่ยึดแปรงออก นำแปรงคาร์บอนที่สึกหรอออกมา ใส่แปรงคาร์บอนใหม่เข้าไป และปิดฝาปิดที่ยึดแปรงให้แน่น

### ▶ หมายเลข 11: 1. ไขควง 2. ฝาปิดที่ยึดแปรง

เพื่อความปลอดภัยและนำเชื้อถือของผลิตภัณฑ์ ควรให้ศูนย์บริการหรือโรงงานที่ผ่านการรับรองจาก Makita เป็นผู้ดำเนินการซ่อมแซม บำรุงรักษาและทำการปรับตั้งอื่นๆ นอกจากนี้ให้ใช้อะไหล่ของแท้จาก Makita เสมอ



**Makita Corporation**  
3-11-8, Sumiyoshi-cho,  
Anjo, Aichi 446-8502 Japan  
[www.makita.com](http://www.makita.com)

885206B908  
EN, ZHCN, ID, MS,  
VI, TH  
20200905