

GB Hammer Drill

Instruction manual

ID Bor Palu

Petunjuk penggunaan

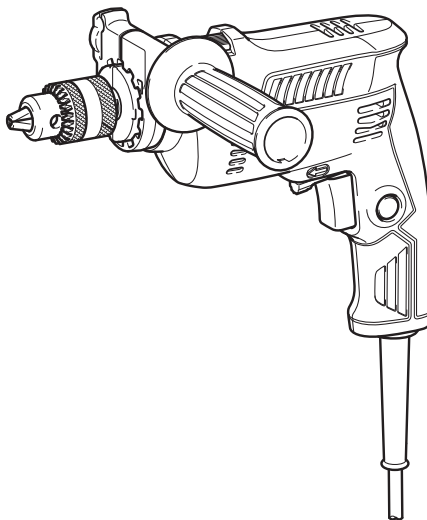
VI Máy Khoan Búa Cầm Tay Hoạt Động Bằng Động Cơ Điện

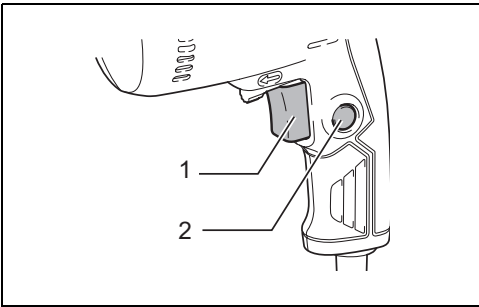
Tài liệu hướng dẫn

TH สว่านไฟฟ้าแบบเจาะกระแทก

คู่มือการใช้งาน

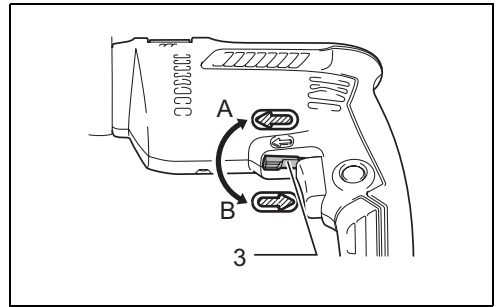
MT80A
MT80B





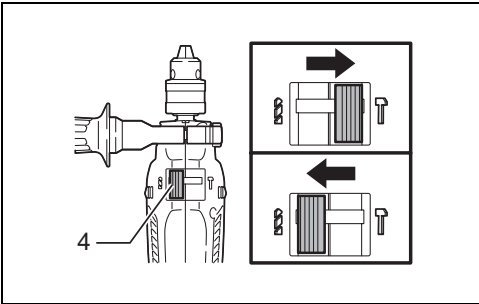
1

013746



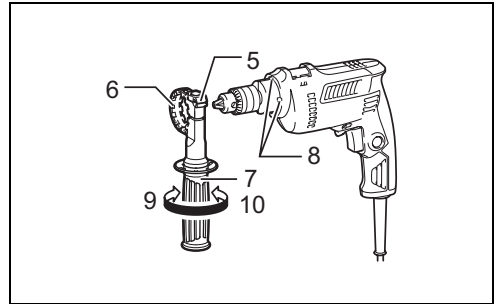
2

013747



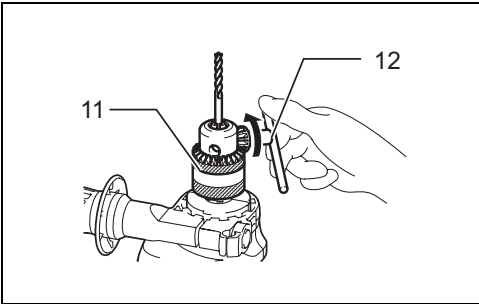
3

015033



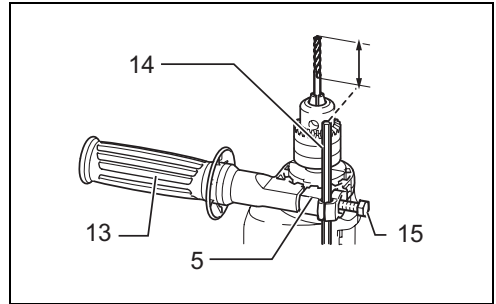
4

013749



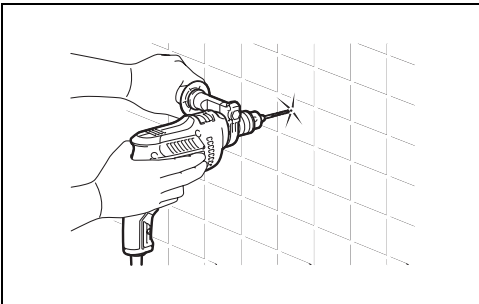
5

013750



6

013751




7

013752

Explanation of general view

- | | | |
|-------------------------------|---------------------------------|-----------------|
| 1. Switch trigger | 6. Teeth | 11. Drill chuck |
| 2. Lock button | 7. Side grip (auxiliary handle) | 12. Chuck key |
| 3. Reversing switch lever | 8. Protrusion | 13. Side grip |
| 4. Action mode changing lever | 9. Loosen | 14. Depth gauge |
| 5. Grip base | 10. Tighten | 15. Hex bolt |

SPECIFICATIONS

Model		MT80A	MT80B
Capacities	Concrete	10 mm	16 mm
	Wood	20 mm	20 mm
	Steel	10 mm	13 mm
No load speed (min ⁻¹)		0 - 3,200	0 - 3,200
Blows per minute		0 - 48,000	0 - 48,000
Overall length		254 mm	262 mm
Net weight		1.6 kg	1.7 kg
Safety class		 /II	

- Due to our continuing program of research and development, the specifications herein are subject to change without notice.
- Specifications may differ from country to country.
- Weight according to EPTA-Procedure 01/2003

Symbols

END201-7

The following show the symbols used for the equipment. Be sure that you understand their meaning before use.



..... Read instruction manual.



..... DOUBLE INSULATION

ENE039-1

Intended use

The tool is intended for impact drilling in brick, concrete and stone as well as for drilling without impact in wood, metal, ceramic and plastic.

ENF002-2

Power supply

The tool should be connected only to a power supply of the same voltage as indicated on the nameplate, and can only be operated on single-phase AC supply. They are double-insulated and can, therefore, also be used from sockets without earth wire.

GEA005-3

General Power Tool Safety Warnings

⚠ WARNING Read all safety warnings and all instructions. Failure to follow the warnings and instructions may result in electric shock, fire and/or serious injury.

Save all warnings and instructions for future reference.

The term “power tool” in the warnings refers to your mains-operated (corded) power tool or battery-operated (cordless) power tool.

Work area safety

1. **Keep work area clean and well lit.** Cluttered or dark areas invite accidents.
2. **Do not operate power tools in explosive atmospheres, such as in the presence of flammable liquids, gases or dust.** Power tools create sparks which may ignite the dust or fumes.
3. **Keep children and bystanders away while operating a power tool.** Distractions can cause you to lose control.

Electrical safety

4. **Power tool plugs must match the outlet. Never modify the plug in any way. Do not use any adapter plugs with earthed (grounded) power tools.** Unmodified plugs and matching outlets will reduce risk of electric shock.
5. **Avoid body contact with earthed or grounded surfaces such as pipes, radiators, ranges and refrigerators.** There is an increased risk of electric shock if your body is earthed or grounded.
6. **Do not expose power tools to rain or wet conditions.** Water entering a power tool will increase the risk of electric shock.
7. **Do not abuse the cord. Never use the cord for carrying, pulling or unplugging the power tool. Keep cord away from heat, oil, sharp edges or moving parts.** Damaged or entangled cords increase the risk of electric shock.

8. **When operating a power tool outdoors, use an extension cord suitable for outdoor use.** Use of a cord suitable for outdoor use reduces the risk of electric shock.
9. **If operating a power tool in a damp location is unavoidable, use a residual current device (RCD) protected supply.** Use of an RCD reduces the risk of electric shock.
10. **Use of power supply via a RCD with a rated residual current of 30mA or less is always recommended.**

Personal safety

11. **Stay alert, watch what you are doing and use common sense when operating a power tool. Do not use a power tool while you are tired or under the influence of drugs, alcohol or medication.** A moment of inattention while operating power tools may result in serious personal injury.
12. **Use personal protective equipment. Always wear eye protection.** Protective equipment such as dust mask, non-skid safety shoes, hard hat, or hearing protection used for appropriate conditions will reduce personal injuries.
13. **Prevent unintentional starting. Ensure the switch is in the off-position before connecting to power source and/or battery pack, picking up or carrying the tool.** Carrying power tools with your finger on the switch or energising power tools that have the switch on invites accidents.
14. **Remove any adjusting key or wrench before turning the power tool on.** A wrench or a key left attached to a rotating part of the power tool may result in personal injury.
15. **Do not overreach. Keep proper footing and balance at all times.** This enables better control of the power tool in unexpected situations.
16. **Dress properly. Do not wear loose clothing or jewellery. Keep your hair, clothing, and gloves away from moving parts.** Loose clothes, jewellery or long hair can be caught in moving parts.
17. **If devices are provided for the connection of dust extraction and collection facilities, ensure these are connected and properly used.** Use of dust collection can reduce dust-related hazards.

Power tool use and care

18. **Do not force the power tool. Use the correct power tool for your application.** The correct power tool will do the job better and safer at the rate for which it was designed.
19. **Do not use the power tool if the switch does not turn it on and off.** Any power tool that cannot be controlled with the switch is dangerous and must be repaired.
20. **Disconnect the plug from the power source and/or the battery pack from the power tool before making any adjustments, changing accessories, or storing power tools.** Such preventive safety measures reduce the risk of starting the power tool accidentally.
21. **Store idle power tools out of the reach of children and do not allow persons unfamiliar with the power tool or these instructions to operate the**

power tool. Power tools are dangerous in the hands of untrained users.

22. **Maintain power tools. Check for misalignment or binding of moving parts, breakage of parts and any other condition that may affect the power tool's operation. If damaged, have the power tool repaired before use.** Many accidents are caused by poorly maintained power tools.
 23. **Keep cutting tools sharp and clean.** Properly maintained cutting tools with sharp cutting edges are less likely to bind and are easier to control.
 24. **Use the power tool, accessories and tool bits etc. in accordance with these instructions, taking into account the working conditions and the work to be performed.** Use of the power tool for operations different from those intended could result in a hazardous situation.
- Service**
25. **Have your power tool serviced by a qualified repair person using only identical replacement parts.** This will ensure that the safety of the power tool is maintained.
 26. **Follow instruction for lubricating and changing accessories.**
 27. **Keep handles dry, clean and free from oil and grease.**

GEB003-5

HAMMER DRILL SAFETY WARNINGS

1. **Wear ear protectors when impact drilling.** Exposure to noise can cause hearing loss.
2. **Use auxiliary handle(s), if supplied with the tool.** Loss of control can cause personal injury.
3. **Hold power tool by insulated gripping surfaces, when performing an operation where the cutting accessory may contact hidden wiring or its own cord.** Cutting accessory contacting a "live" wire may make exposed metal parts of the power tool "live" and could give the operator an electric shock.
4. **Always be sure you have a firm footing. Be sure no one is below when using the tool in high locations.**
5. **Hold the tool firmly with both hands.**
6. **Keep hands away from rotating parts.**
7. **Do not leave the tool running. Operate the tool only when hand-held.**
8. **Do not touch the bit or the workpiece immediately after operation; they may be extremely hot and could burn your skin.**
9. **Some material contains chemicals which may be toxic. Take caution to prevent dust inhalation and skin contact. Follow material supplier safety data.**

SAVE THESE INSTRUCTIONS.

WARNING:

DO NOT let comfort or familiarity with product (gained from repeated use) replace strict adherence to safety rules for the subject product. **MISUSE** or failure to follow the safety rules stated in this instruction manual may cause serious personal injury.

FUNCTIONAL DESCRIPTION

Switch action (Fig. 1)

⚠ CAUTION:

- Before plugging in the tool, always check to see that the switch trigger actuates properly and returns to the "OFF" position when released.
- Switch can be locked in "ON" position for ease of operator comfort during extended use. Apply caution when locking tool in "ON" position and maintain firm grasp on tool.

To start the tool, simply pull the switch trigger. Tool speed is increased by increasing pressure on the switch trigger. Release the switch trigger to stop. For continuous operation, pull the switch trigger, push in the lock button and then release the switch trigger. To stop the tool from the locked position, pull the switch trigger fully, then release it.

Reversing switch action (Fig. 2)

⚠ CAUTION:

- Always check the direction of rotation before operation.
- Use the reversing switch only after the tool comes to a complete stop. Changing the direction of rotation before the tool stops may damage the tool.
- If the switch trigger can not be depressed, check to see that the reversing switch is fully set to the ⇐ position (A side) or the ⇒ position (B side).

This tool has a reversing switch to change the direction of rotation. Move the reversing switch lever to the ⇐ position (A side) for clockwise rotation or to the ⇒ position (B side) for counterclockwise rotation.

Selecting the action mode (Fig. 3)

⚠ CAUTION:

- Always slide the action mode change lever all the way to your desired mode position. If you operate the tool with the lever positioned halfway between the mode symbols, the tool may be damaged.

This tool has an action mode change lever. For rotation with hammering, slide the action mode change lever to the right (⚡ symbol). For rotation only, slide the action mode change lever to the left (⚙ symbol).

ASSEMBLY

⚠ CAUTION:

- Always be sure that the tool is switched off and unplugged before carrying out any work on the tool.

Installing side grip (auxiliary handle) (Fig. 4)

⚠ CAUTION:

- Always be sure that the tool is switched off and unplugged before installing or removing the side grip.

Always use the side grip to ensure operating safety. Install the side grip so that the teeth on the grip fit in between the protrusions on the tool barrel.

Then tighten the grip by turning clockwise at the desired position. It may be swung 360° so as to be secured at any position.

NOTE:

- The side grip cannot swing 360° when the depth gauge is installed.

Installing or removing drill bit (Fig. 5)

⚠ CAUTION:

- Always be sure that the tool is switched off and unplugged before installing or removing the bit.
- To install the bit, place it in the chuck as far as it will go. Tighten the chuck by hand. Place the chuck key in each of the three holes and tighten clockwise. Be sure to tighten all three chuck holes evenly. To remove the bit, turn the chuck key counterclockwise in just one hole, then loosen the chuck by hand.

After using the chuck key, be sure to return it to the original position.

Depth gauge (optional accessory) (Fig. 6)

The depth gauge is convenient for drilling holes of uniform depth. Install the depth gauge by the following sequence.

1. Turn the side grip counterclockwise to loosen the hex bolt.
2. Insert the depth gauge and adjust the depth of hole.
3. Turn the side grip clockwise so that the depth gauge and the grip base are fixed on the tool completely.

NOTE:

- The depth gauge cannot be used at the position where the depth gauge strikes against the tool body.

OPERATION

⚠ CAUTION:

- Always use the side grip (auxiliary handle) and firmly hold the tool by both side grip and switch handle during operations. (Fig. 7)

Hammer drilling operation

⚠ CAUTION:

- There is tremendous and sudden twisting force exerted on the tool/bit at the time of hole break-through, when the hole becomes clogged with chips and particles, or when striking reinforcing rods embedded in the concrete. Always use the side grip (auxiliary handle) and firmly hold the tool by both side grip and switch handle during operations. Failure to do so may result in the loss of control of the tool and potentially severe injury.

When drilling in concrete, granite, tile, etc., slide the action mode change lever to the position of ⚡ symbol to use "rotation with hammering" action. Be sure to use a tungsten-carbide tipped bit. Do not apply more pressure when the hole becomes clogged with chips or particles. Instead, run the tool at an idle, then remove the bit partially from the hole. By repeating this several times, the hole will be cleaned out.

After drilling the hole, use the blow-out bulb to clean the dust out of the hole.

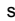
Drilling operation

⚠ CAUTION:

- Pressing excessively on the tool will not speed up the drilling. In fact, this excessive pressure will only serve

to damage the tip of your bit, decrease the tool performance and shorten the service life of the tool.

- There is a tremendous force exerted on the tool/bit at the time of hole break through. Hold the tool firmly and exert care when the bit begins to break through the workpiece.
- A stuck bit can be removed simply by setting the reversing switch to reverse rotation in order to back out. However, the tool may back out abruptly if you do not hold it firmly.
- Always secure small workpieces in a vise or similar hold-down device.

When drilling in wood, metal or plastic materials, slide the action mode change lever to the position of  symbol to use "rotation only" action.

Drilling in wood

When drilling in wood, the best results are obtained with wood drills equipped with a guide screw. The guide screw makes drilling easier by pulling the bit into the workpiece.

Drilling in metal

To prevent the bit from slipping when starting a hole, make an indentation with a center-punch and hammer at the point to be drilled. Place the point of the bit in the indentation and start drilling. Use a cutting lubricant when drilling metals. The exceptions are iron and brass which should be drilled dry.

MAINTENANCE

CAUTION:

- Always be sure that the tool is switched off and unplugged before carrying out any work on the tool.
- Never use gasoline, benzine, thinner, alcohol or the like. Discoloration, deformation or cracks may result.

To maintain product safety and reliability, repairs, maintenance or adjustment should be carried out by an Makita Authorized Service Center.

BAHASA INDONESIA

Penjelasan tampilan keseluruhan

1. Saklar pemacu
2. Tombol kunci
3. Tuas saklar pembalik arah
4. Tuas pengganti sistem kerja
5. Alas gagang
6. Gigi-gigi
7. Gagang sisi (pegangan tambahan)
8. Tonjolan
9. Kendurkan
10. Kencangkan
11. Cuk bor
12. Kunci cekam
13. Gagang sisi
14. Pengukur kedalaman
15. Baut kepala segi-enam

SPESIFIKASI

Model		MT80A	MT80B
Kapasitas	Beton	10 mm	16 mm
	Kayu	20 mm	20 mm
	Baja	10 mm	13 mm
Kecepatan tanpa beban (min ⁻¹)		0 - 3.200	0 - 3.200
Hembusan per menit		0 - 48.000	0 - 48.000
Panjang keseluruhan		254 mm	262 mm
Berat bersih		1,6 kg	1,7 kg
Kelas keamanan		□/II	

- Karena kesinambungan program penelitian dan pengembangan kami, spesifikasi yang disebutkan di sini dapat berubah tanpa pemberitahuan.
- Spesifikasi dapat berbeda dari satu negara ke negara lainnya.
- Berat menurut Prosedur EPTA 01/2003

Simbol

Berikut ini adalah simbol-simbol yang digunakan pada peralatan ini. Pastikan Anda mengerti makna masing-masing simbol sebelum menggunakan alat.



..... Baca petunjuk penggunaan.



..... ISOLASI GANDA

Penggunaan

Mesin ini digunakan untuk membor kejut batu bata, beton dan batu serta juga untuk membor tanpa kejut kayu, logam, keramik dan plastik.

Pasokan daya

Mesin harus terhubung dengan pasokan daya listrik yang bervoltase sama dengan yang tertera pada pelat nama, dan hanya dapat dijalankan dengan listrik AC fase tunggal. Mesin diisolasi ganda dan oleh sebab itu dapat dihubungkan dengan soket tanpa arde.

Peringatan Keselamatan Umum Mesin Listrik

⚠ PERINGATAN Bacalah semua peringatan keselamatan dan semua petunjuk. Kelalaian mematuhi peringatan dan petunjuk dapat menyebabkan sengatan listrik, kebakaran dan/atau cedera serius.

END201-7

Simpanlah semua peringatan dan petunjuk untuk acuan di masa depan.

Istilah "mesin listrik" dalam semua peringatan mengacu pada mesin listrik yang dijalankan dengan sumber listrik jala-jala (berkabel) atau baterai (tanpa kabel).

Keselamatan tempat kerja

1. **Jaga tempat kerja selalu bersih dan berpenerangan cukup.** Tempat kerja yang berantakan dan gelap mengundang kecelakaan.
2. **Jangan gunakan mesin listrik dalam lingkungan yang mudah meledak, misalnya jika ada cairan, gas, atau debu yang mudah menyala.** Mesin listrik menimbulkan bunga api yang dapat menyalakan debu atau uap tersebut.
3. **Jauhkan anak-anak dan orang lain saat menggunakan mesin listrik.** Bila perhatian terpecah, anda dapat kehilangan kendali.

Keamanan kelistrikan

4. **Steker mesin listrik harus cocok dengan stopkontak. Jangan sekali-kali mengubah steker dengan cara apa pun. Jangan menggunakan steker adaptor dengan mesin listrik berarde (dibumikan).** Steker yang tidak diubah dan stopkontak yang cocok akan mengurangi risiko sengatan listrik.
5. **Hindari sentuhan tubuh dengan permukaan berarde atau yang dibumikan seperti pipa, radiator, kompor, dan kulkas.** Risiko sengatan listrik bertambah jika tubuh Anda terbumikan atau terarde.

GEA005-3

6. **Jangan membiarkan mesin listrik kehujaan atau kebasahan.** Air yang masuk ke dalam mesin listrik akan meningkatkan risiko sengatan listrik.
7. **Jangan menyalahgunakan kabel.** **Jangan sekali-kali menggunakan kabel untuk membawa, menarik, atau mencabut mesin listrik dari stopkontak.** Jauhkan kabel dari panas, minyak, tepian tajam, atau bagian yang bergerak. Kabel yang rusak atau kusut memperbesar risiko sengatan listrik.
8. **Bila menggunakan mesin listrik di luar ruangan, gunakan kabel ekstensi yang sesuai untuk penggunaan di luar ruangan.** Penggunaan kabel yang sesuai untuk penggunaan luar ruangan mengurangi risiko sengatan listrik.
9. **Jika mengoperasikan mesin listrik di lokasi lembap tidak terhindarkan, gunakan pasokan daya yang dilindungi peranti imbasan arus (residual current device - RCD).** Penggunaan RCD mengurangi risiko sengatan listrik.
10. **Penggunaan pasokan daya melalui RCD dengan kapasitas arus sisa 30 mA atau kurang selalu dianjurkan.**

Keselamatan diri

11. **Jaga kewaspadaan, perhatikan pekerjaan Anda dan gunakan akal sehat bila menggunakan mesin listrik.** **Jangan menggunakan mesin listrik saat Anda lelah atau di bawah pengaruh obat bius, alkohol, atau obat.** Sekejap saja lalai saat menggunakan mesin listrik dapat menyebabkan cedera diri yang serius.
12. **Gunakan alat pelindung diri. Selalu gunakan pelindung mata.** Peralatan pelindung seperti masker debu, sepatu pengaman anti-selip, helm pengaman, atau pelindung telinga yang digunakan untuk kondisi yang sesuai akan mengurangi risiko cedera diri.
13. **Cegah penyalan yang tidak disengaja.** **Pastikan bahwa sakelar berada dalam posisi mati (off) sebelum menghubungkan mesin ke sumber daya dan/atau baterai, atau mengangkat atau membawanya.** Membawa mesin listrik dengan jari Anda pada sakelarnya atau mengalirkan listrik pada mesin listrik yang sakelarnya hidup (on) akan mengundang kecelakaan.
14. **Lepaskan kunci-kunci penyetel sebelum menghidupkan mesin listrik.** Kunci-kunci yang masih terpasang pada bagian mesin listrik yang berputar dapat menyebabkan cedera.
15. **Jangan meraih terlalu jauh.** **Jagalah pijakan dan keseimbangan sepanjang waktu.** Hal ini memungkinkan kendali yang lebih baik atas mesin listrik dalam situasi yang tidak diharapkan.
16. **Kenakan pakaian dengan baik.** **Jangan memakai pakaian yang kedodoran atau perhiasan.** **Jaga jarak antara rambut, pakaian, dan sarung tangan Anda dengan bagian mesin yang bergerak.** Pakaian kedodoran, perhiasan, atau rambut panjang dapat tersangkut pada bagian yang bergerak.
17. **Jika tersedia fasilitas untuk menghisap dan mengumpulkan debu, pastikan fasilitas tersebut terhubung listrik dan digunakan dengan baik.** Penggunaan pembersih debu dapat mengurangi bahaya yang terkait dengan debu.

Penggunaan dan pemeliharaan mesin listrik

18. **Jangan memaksa mesin listrik.** **Gunakan mesin listrik yang tepat untuk keperluan Anda.** Mesin listrik yang tepat akan menuntaskan pekerjaan dengan lebih baik dan aman pada kecepatan sesuai rancangannya.
19. **Jangan gunakan mesin listrik jika sakelar tidak dapat menyalakan dan mematikannya.** Mesin listrik yang tidak dapat dikendalikan dengan sakelarnya adalah berbahaya dan harus diperbaiki.
20. **Cabut steker dari sumber listrik dan/atau baterai dari mesin listrik sebelum melakukan penyetelan, penggantian aksesoris, atau menyimpan mesin listrik.** Langkah keselamatan preventif tersebut mengurangi risiko hidupnya mesin secara tak sengaja.
21. **Simpan mesin listrik jauh dari jangkauan anak-anak dan jangan biarkan orang yang tidak paham mengenai mesin listrik tersebut atau petunjuk ini menggunakan mesin listrik.** Mesin listrik sangat berbahaya di tangan pengguna yang tak terlatih.
22. **Rawatlah mesin listrik.** **Periksa apakah ada bagian bergerak yang tidak lurus atau macet, bagian yang pecah dan kondisi lain yang dapat mempengaruhi penggunaan mesin listrik.** Jika rusak, perbaiki dahulu mesin listrik sebelum digunakan. Banyak kecelakaan disebabkan oleh kurangnya pemeliharaan mesin listrik.
23. **Jaga agar mesin pemotong tetap tajam dan bersih.** Mesin pemotong yang terawat baik dengan mata pemotong yang tajam tidak mudah macet dan lebih mudah dikendalikan.
24. **Gunakan mesin listrik, aksesoris, dan mata mesin, dll. sesuai dengan petunjuk ini, dengan memperhitungkan kondisi kerja dan jenis pekerjaan yang dilakukan.** Penggunaan mesin listrik untuk penggunaan yang lain dari peruntukan dapat menimbulkan situasi berbahaya.

Servis

25. **Berikan mesin listrik untuk diperbaiki hanya kepada oleh teknisi yang berkualifikasi dengan menggunakan hanya suku cadang pengganti yang serupa.** Hal ini akan menjamin terjaganya keamanan mesin listrik.
26. **Patuhi petunjuk pelumasan dan penggantian aksesoris.**
27. **Jagalah agar gagang kering, bersih, dan bebas dari minyak dan gemuk.**

GEB003-5

PERINGATAN KESELAMATAN BOR PALU

1. **Kenakan pelindung telinga saat melakukan pengeboran tumbuk (impact drilling).** Terpaan kebisingan dapat menyebabkan hilangnya pendengaran.
2. **Gunakan gagang tambahan, jika disertakan bersama mesin ini.** Kehilangan kendali dapat menyebabkan cedera.
3. **Pegang mesin listrik pada permukaan genggam yang terisolasi saat melakukan pekerjaan bila mesin pemotong mungkin bersentuhan dengan kawat tersembunyi atau kabelnya sendiri.** Aksesoris

pemotong yang menyentuh kawat “hidup” dapat menyebabkan bagian logam pada mesin teraliri arus listrik dan menyengat pengguna.

4. **Selalu pastikan Anda berdiri di atas alas yang kuat.**
Pastikan tidak ada orang di bawahnya bila Anda menggunakan mesin di tempat tinggi.
5. **Pegang mesin kuat-kuat dengan kedua tangan.**
6. **Jauhkan tangan dari bagian yang berputar.**
7. **Jangan tinggalkan mesin dalam keadaan hidup. Jalankan mesin hanya ketika digenggam tangan.**
8. **Jangan menyentuh mata mesin atau benda kerja segera setelah pengoperasian; suhunya mungkin masih sangat panas dan dapat membakar kulit Anda.**
9. **Bahan tertentu mengandung zat kimia yang mungkin beracun. Hindari menghirup debu dan persentuhan dengan kulit. Ikuti data keselamatan bahan dari pemasok.**

SIMPAN PETUNJUK INI.

⚠ PERINGATAN:
JANGAN biarkan kenyamanan atau terbiasanya Anda dengan produk (karena penggunaan berulang) menggantikan kepatuhan yang ketat terhadap aturan keselamatan untuk produk yang terkait. **PENYALAHGUNAAN** atau kelalaian mematuhi kaidah keselamatan yang tertera dalam petunjuk ini dapat menyebabkan cedera badan serius.

DESKRIPSI FUNGSI

Kerja saklar (Gb. 1)

⚠ PERHATIAN:

- Sebelum memasukkan steker, selalu periksa apakah picu saklar berfungsi dengan baik dan kembali ke posisi “OFF” saat dilepas.
- Saklar bisa dikunci dalam posisi “ON” untuk memberi kenyamanan pada operator selama penggunaan terus-menerus. Selalu berhati-hati ketika mengunci mesin dalam posisi “ON” dan pegang mesin kuat-kuat.

Untuk menjalankan mesin, cukup tarik picu saklarnya. Kecepatan mesin akan meningkat dengan menambah tekanan pada picu saklar. Lepaskan picu saklar untuk berhenti. Untuk penggunaan terus-menerus, tarik picu saklar, tekan tombol kunci dan kemudian lepas picu saklar. Untuk membebaskan posisi terkunci, tarik picu saklar sampai penuh, lalu lepaskan.

Kerja saklar pembalik arah (Gb. 2)

⚠ PERHATIAN:

- Selalu periksa arah putaran sebelum penggunaan.
- Gunakan saklar pembalik arah hanya setelah mesin benar-benar berhenti. Mengubah arah putaran sebelum mesin berhenti dapat merusak mesin.
- Jika picu saklar tidak bisa ditekan, pastikan bahwa saklar pembalik arah diposisikan sepenuhnya ke posisi ⇐ (sisi A) atau posisi ⇒ (sisi B).

Mesin ini memiliki saklar pembalik arah untuk mengubah arah putaran. Gerakkan tuas saklar pembalik arah ke posisi ⇐ (sisi A) untuk putaran searah jarum jam atau ke

posisi ⇒ (sisi B) untuk putaran berlawanan arah jarum jam.

Memilih mode kerja (Gb. 3)

⚠ PERHATIAN:

- Selalu geser tuas pengubah mode kerja hingga penuh ke posisi yang anda inginkan. Jika anda memakai alat dengan tuas berada di posisi tengah antara kedua simbol mode alat bisa rusak.

Mesin ini memiliki tuas pengubah mode kerja. Untuk putaran dengan getar, geser tuas pengubah mode kerja ke kanan (simbol ⇨). Untuk putaran saja, geser tuas pengganti mode kerja ke kiri (simbol ⇨).

PERAKITAN

⚠ PERHATIAN:

- Selalu pastikan bahwa mesin dalam keadaan mati dan steker tercabut sebelum melakukan pekerjaan apapun pada mesin.

Cara memasang gagang sisi (pegangan tambahan) (Gb. 4)

⚠ PERHATIAN:

- Pastikan mesin dalam keadaan mati dan steker telah dicabut sebelum memasang atau melepas gagang sisi. Gunakan selalu gagang sisi untuk menjamin keselamatan penggunaan. Pasang gagang sisi sedemikian rupa hingga gigi-gigi pada gagang bertemu dengan tonjolan pada silinder mesin. Lalu kencangkan gagang dengan memutar searah jarum jam ke posisi yang diinginkan. Gagang dapat diputar 360° agar dapat ditahan di posisi mana saja.

CATATAN:

- Gagang sisi tidak bisa berputar 360° jika pengukur kedalaman terpasang.

Memasang atau melepas mata bor (Gb. 5)

⚠ PERHATIAN:

- Pastikan mesin dalam keadaan mati dan steker telah dicabut, sebelum memasang atau melepas mata bor. Untuk memasang mata bor, masukkan mata bor ke dalam cekam sedalam mungkin. Kencangkan cekam dengan tangan. Masukkan kunci cuk ke dalam tiga lubang yang ada dan kencangkan searah jarum jam. Pastikan ketiga lubang cekam dikencangkan secara seragam. Untuk melepas mata bor, putar kunci cekam berlawanan arah jarum jam pada satu lubang saja, lalu bebaskan mata bor dengan tangan.

Setelah menggunakan kunci cekam, pastikan untuk mengembalikannya ke posisi semula.

Pengukur kedalaman (pilihan aksesoris) (Gb. 6)

Pengukur kedalaman sangat tepat digunakan untuk menghasilkan lubang-lubang pengeboran dengan kedalaman yang seragam. Pasang pengukur kedalaman dengan mengikuti urutan berikut ini.

1. Putar gagang sisi berlawanan arah jarum jam untuk mengendurkan baut kepala segi-enam.
2. Masukkan pengukur kedalaman dan setel kedalaman lubang.

- Putar gagang sisi searah jarum jam sehingga pengukur kedalaman dan alas gagang benar-benar terpasang erat pada mesin.

CATATAN:

- Pengukur kedalaman tidak bisa digunakan bila posisinya berlawanan dengan badan mesin.

PENGGUNAAN

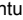
⚠ PERHATIAN:

- Selalu gunakan gagang sisi (pegangan tambahan) dan pegang mesin kuat-kuat pada kedua gagang sisi dan pegangan saklar selama penggunaan. **(Gb. 7)**

Cara pengoperasian bor getar

⚠ PERHATIAN:

- Akan timbul gaya yang sangat kuat dan tiba-tiba pada mesin/mata mesin saat menembus lubang, bila lubang dipenuhi geram-geram atau partikel, atau bila menabrak besi-besi tulangan yang terpasang di dalam beton. Selalu gunakan gagang sisi (pegangan tambahan) dan pegang mesin kuat-kuat pada kedua gagang sisi dan pegangan saklar selama penggunaan. Kelalaian dalam melakukannya dapat menyebabkan kehilangan kendali pada mesin dan berpotensi mengakibatkan cedera berat.

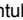
Saat mengebor beton, granit, ubin, dl. geser tuas pengganti mode kerja ke posisi bersimbol  untuk gerakan putar dengan getaran. Pastikan Anda menggunakan mata bor berujung tungsten-carbide. Jangan menambah tekanan bila lubang dipenuhi geram-geram atau partikel. Tetapi, nyalakan mesin tanpa putaran, lalu angkat mata mesin sedikit dari lubang. Dengan mengulangnya beberapa kali, lubang akan bersih.

Setelah mengebor lubang, gunakan penghembus angin untuk membersihkan lubang dari debu.

Pekerjaan pengeboran

⚠ PERHATIAN:

- Menekan mesin secara berlebihan tidak akan mempercepat pengeboran. Bahkan, tekanan yang berlebihan hanya akan merusak mata bor Anda, mengurangi kinerja mesin dan memperpendek usia mesin.
- Akan timbul gaya yang sangat kuat pada mesin/mata bor saat menembus lubang. Pegang mesin dengan kuat dan berhati-hatilah saat mata bor menembus benda kerja.
- Mata bor yang macet dapat dicabut dengan menyatel saklar pembalik arah agar mesin berputar berlawanan arah untuk mundur. Tetapi, mesin bisa saja mundur mendadak jika Anda tidak memegangnya dengan kuat.
- Tahan benda kerja berukuran kecil dengan penjepit atau alat penahan lain.

Bila mengebor bahan kayu, logam atau plastik, geser tuas pengubah mode kerja ke posisi bersimbol  untuk menggunakan hanya "putaran saja".

Mengebor kayu

Bila mengebor kayu, hasil terbaik didapat dengan mata bor kayu yang dilengkapi sekrup pemandu. Sekrup

pemandu mempermudah pengeboran dengan menarik mata bor ke dalam benda kerja.

Mengebor logam

Untuk mencegah mata bor selip ketika mulai membuat lubang, buatlah takik dengan penitik lalu palu pada titik yang akan dilubangi. Letakkan ujung mata bor pada takik dan mulailah membor. Gunakan cairan pendingin saat mengebor logam. Pengecualian untuk besi dan kuningan yang harus dibor kering.

PERAWATAN

⚠ PERHATIAN:

- Selalu pastikan bahwa mesin dalam keadaan mati dan steker tercabut sebelum melakukan pekerjaan apapun pada mesin.
- Jangan sekali-kali menggunakan bensin, tiner, alkohol, atau bahan sejenisnya. Penggunaan bahan demikian dapat menyebabkan perubahan warna, perubahan bentuk atau timbulnya retakan.

Untuk menjaga keamanan dan keandalan alat, perbaikan, perawatan atau penyetulan harus dilakukan oleh Pusat Layanan Resmi Makita.

TIẾNG VIỆT

Giải thích về hình vẽ tổng thể

- | | | |
|----------------------------------|-------------------------------|----------------------|
| 1. Cần khởi động công tắc | 6. Răng | 11. Ngàm khoan |
| 2. Nút khóa | 7. Tay cầm hông (tay cầm phụ) | 12. Khóa ngàm |
| 3. Cần công tắc đảo chiều | 8. Phần nhô ra | 13. Tay cầm hông |
| 4. Cần thay đổi chế độ hoạt động | 9. Vận lòng | 14. Thanh đo sâu |
| 5. Để tay cầm | 10. Vận chặt | 15. Bu-lông lục giác |

THÔNG SỐ KỸ THUẬT

Kiểu		MT80A	MT80B
Công suất	Bê-tông	10 mm	16 mm
	Gỗ	20 mm	20 mm
	Thép	10 mm	13 mm
Tốc độ không tải (phút ⁻¹)		0 - 3.200	0 - 3.200
Số nhát mỗi phút		0 - 48.000	0 - 48.000
Chiều dài tổng thể		254 mm	262 mm
Trọng lượng tịnh		1,6 kg	1,7 kg
Cấp độ an toàn		□/II	

- Do chương trình nghiên cứu và phát triển liên tục của chúng tôi nên các thông số kỹ thuật trong đây có thể thay đổi mà không cần thông báo trước.
- Các thông số kỹ thuật có thể thay đổi tùy theo từng quốc gia.
- Trọng lượng tùy theo Quy trình EPTA tháng 01/2003

Ký hiệu

END201-7

Phần dưới đây cho biết các ký hiệu được dùng cho thiết bị. Đảm bảo rằng bạn hiểu rõ ý nghĩa của các ký hiệu này trước khi sử dụng.



..... Đọc tài liệu hướng dẫn.



..... CÁCH ĐIỆN KÉP

Mục đích sử dụng

ENE039-1

Dụng cụ này được thiết kế cho việc khoan đóng vào gạch, bê-tông, đá cũng như cho việc khoan không cần đóng vào gỗ, kim loại, gốm và nhựa.

Nguồn cấp điện

ENF002-2

Dụng cụ này chỉ được nối với nguồn cấp điện có điện áp giống như đã chỉ ra trên biển tên và chỉ có thể được vận hành trên nguồn điện AC một pha. Chúng được cách điện hai lớp và do đó cũng có thể được sử dụng với các ổ cắm điện không có dây tiếp đất.

GEA005-3

Cảnh báo An toàn Chung dành cho Dụng cụ Máy

⚠ CẢNH BÁO Đọc tất cả các cảnh báo an toàn và hướng dẫn. Việc không tuân theo các cảnh báo và hướng dẫn có thể dẫn đến điện giật, hỏa hoạn và/hoặc thương tích nghiêm trọng.

Lưu giữ tất cả cảnh báo và hướng dẫn để tham khảo sau này.

Thuật ngữ “dụng cụ máy” trong các cảnh báo đề cập đến dụng cụ máy (có dây) được vận hành bằng nguồn điện chính hoặc dụng cụ máy (không dây) được vận hành bằng pin của bạn.

An toàn tại nơi làm việc

- Giữ nơi làm việc sạch sẽ và có đủ ánh sáng.** Nơi làm việc bừa bộn hoặc tối thường dễ gây ra tai nạn.
- Không vận hành dụng cụ máy trong môi trường cháy nổ, ví dụ như môi trường có sự hiện diện của các chất lỏng, khí hoặc bụi dễ cháy.** Các dụng cụ máy tạo tia lửa điện có thể làm bụi hoặc khí bốc cháy.
- Giữ trẻ em và người ngoài tránh xa nơi làm việc khi đang vận hành dụng cụ máy.** Sự xao lãng có thể khiến bạn mất khả năng kiểm soát.

An toàn về điện

- Phích cắm của dụng cụ máy phải khớp với ổ cắm. Không bao giờ được sửa đổi phích cắm theo bất kỳ cách nào. Không sử dụng bất kỳ phích chuyên đổi nào với các dụng cụ máy được nối đất (tiếp đất).** Các phích cắm còn nguyên vẹn và ổ cắm phù hợp sẽ giảm nguy cơ điện giật.
- Tránh để cơ thể tiếp xúc với các bề mặt nối đất hoặc tiếp đất như đường ống, bộ tản nhiệt, bếp ga và tủ lạnh.** Nguy cơ bị điện giật sẽ tăng lên nếu cơ thể bạn được nối đất hoặc tiếp đất.
- Không để dụng cụ máy tiếp xúc với mưa hoặc trong điều kiện ẩm ướt.** Nước lọt vào dụng cụ máy sẽ làm tăng nguy cơ điện giật.

7. **Không lạm dụng dây. Không bao giờ sử dụng dây đề mang, kéo hoặc tháo phích cắm dụng cụ máy. Giữ dây tránh xa nguồn nhiệt, dầu, các mép sắc hoặc các bộ phận chuyển động.** Dây bị hỏng hoặc bị rối sẽ làm tăng nguy cơ điện giật.
8. **Khi vận hành dụng cụ máy ngoài trời, hãy sử dụng dây kéo dài phù hợp cho việc sử dụng ngoài trời.** Việc dùng dây phù hợp cho việc sử dụng ngoài trời sẽ giảm nguy cơ điện giật.
9. **Nếu bắt buộc phải vận hành dụng cụ máy ở nơi ẩm ướt, hãy sử dụng nguồn cấp điện được bảo vệ bằng thiết bị ngắt dòng điện rò (RCD).** Việc sử dụng RCD sẽ giảm nguy cơ điện giật.
10. **Chúng tôi luôn khuyên bạn sử dụng nguồn cấp điện qua thiết bị ngắt dòng điện dư định mức 30 mA hoặc thấp hơn.**

An toàn cá nhân

11. **Luôn tỉnh táo, quan sát những việc bạn đang làm và sử dụng những phán đoán theo kinh nghiệm khi vận hành dụng cụ máy. Không sử dụng dụng cụ máy khi bạn đang mệt mỏi hoặc chịu ảnh hưởng của ma túy, rượu hay thuốc.** Chỉ một khoảng khắc không tập trung khi đang vận hành dụng cụ máy cũng có thể dẫn đến thương tích cá nhân nghiêm trọng.
12. **Sử dụng thiết bị bảo hộ cá nhân. Luôn đeo thiết bị bảo vệ mắt.** Các thiết bị bảo hộ như mặt nạ chống bụi, giày an toàn chống trượt, mũ bảo hộ hay thiết bị bảo vệ thính giác được sử dụng trong các điều kiện thích hợp sẽ giúp giảm thương tích cá nhân.
13. **Tránh vô tình khởi động dụng cụ máy. Đeo bảo công tắc ở vị trí off (tắt) trước khi nối nguồn điện và/hoặc bộ pin, cắm hoặc mang dụng cụ máy.** Việc mang dụng cụ máy khi đang đặt ngón tay ở vị trí công tắc hoặc cấp điện cho dụng cụ máy đang bật thường dễ gây ra tai nạn.
14. **Tháo mọi khoá hoặc chia vận điều chỉnh trước khi bật dụng cụ máy.** Việc chia vận hoặc khoá vẫn còn gắn vào bộ phận quay của dụng cụ máy có thể dẫn đến thương tích cá nhân.
15. **Không vơi quá cao. Luôn giữ thăng bằng tốt và có chỗ để chân phù hợp.** Điều này cho phép điều khiển dụng cụ máy tốt hơn trong những tình huống bất ngờ.
16. **Ăn mặc phù hợp. Không mặc quần áo rộng hay đeo đồ trang sức. Giữ tóc, quần áo và găng tay tránh xa các bộ phận chuyển động.** Quần áo rộng, đồ trang sức hay tóc dài có thể mắc vào các bộ phận chuyển động.
17. **Nếu các thiết bị được cung cấp để kết nối các thiết bị thu gom và hút bụi, hãy đảm bảo chúng được kết nối và sử dụng hợp lý.** Việc sử dụng thiết bị thu gom bụi có thể làm giảm những mối nguy hiểm liên quan đến bụi.

Sử dụng và bảo quản dụng cụ máy

18. **Không dùng lực đối với dụng cụ máy. Sử dụng đúng dụng cụ máy cho công việc của bạn.** Sử dụng đúng dụng cụ máy sẽ giúp thực hiện công việc tốt hơn và an toàn hơn theo giá trị định mức được thiết kế của dụng cụ máy đó.
19. **Không sử dụng dụng cụ máy nếu công tắc không bật và tắt được dụng cụ máy đó.** Mọi dụng cụ máy không thể điều khiển được bằng công tắc đều rất nguy hiểm và cần được sửa chữa.

20. **Rút phích cắm ra khỏi nguồn điện và/hoặc ngắt kết nối bộ pin khỏi dụng cụ máy trước khi thực hiện bất kỳ công việc điều chỉnh, thay đổi phụ tùng hay cất giữ dụng cụ máy nào.** Những biện pháp an toàn phòng ngừa này sẽ giảm nguy cơ vô tình khởi động vô tình dụng cụ máy.
 21. **Cất giữ các dụng cụ máy không sử dụng ngoài tầm với của trẻ em và không cho bất kỳ người nào không có hiểu biết về dụng cụ máy hoặc các hướng dẫn này vận hành dụng cụ máy.** Dụng cụ máy sẽ rất nguy hiểm nếu được sử dụng bởi những người dùng chưa qua đào tạo.
 22. **Bảo quản dụng cụ máy. Kiểm tra tình trạng lệch trục hoặc bó kẹt của các bộ phận chuyển động, hiện tượng nứt vỡ của các bộ phận và mọi tình trạng khác mà có thể ảnh hưởng đến hoạt động của dụng cụ máy. Nếu có hỏng hóc, hãy sửa chữa dụng cụ máy trước khi sử dụng.** Nhiều tai nạn xảy ra là do không bảo quản tốt dụng cụ máy.
 23. **Luôn giữ cho dụng cụ cất được sắc bén và sạch sẽ.** Những dụng cụ cất được bảo quản tốt có mép cắt sắc sẽ ít bị kẹt hơn và dễ điều khiển hơn.
 24. **Sử dụng dụng cụ máy, phụ tùng và đầu dụng cụ cắt, v.v... theo các hướng dẫn này, có tính đến điều kiện làm việc và công việc được thực hiện.** Việc sử dụng dụng cụ máy cho các công việc khác với công việc dự định có thể gây nguy hiểm.
- Bảo dưỡng**
25. **Đề nhân viên sửa chữa đủ trình độ bảo dưỡng dụng cụ máy của bạn và chỉ sử dụng các bộ phận thay thế đồng nhất.** Việc này sẽ đảm bảo duy trì được độ an toàn của dụng cụ máy.
 26. **Tuân theo hướng dẫn dành cho việc bôi trơn và thay phụ tùng.**
 27. **Giữ tay cầm khô, sạch, không dính dầu và mỡ.**

GEB003-5

CẢNH BÁO AN TOÀN DÀNH CHO KHOAN BÚA

1. **Đeo thiết bị bảo vệ tai khi khoan.** Việc để tai tiếp xúc với tiếng ồn có thể gây giảm thính lực.
2. **Sử dụng (các) tay cầm phụ, nếu được cung cấp cùng với dụng cụ.** Việc mất khả năng kiểm soát có thể dẫn đến thương tích cá nhân.
3. **Cầm dụng cụ máy bằng bề mặt kẹp cách điện khi thực hiện một thao tác trong đó bộ phận cắt có thể tiếp xúc với dây dẫn kín hoặc dây của chính nó.** Bộ phận cắt tiếp xúc với dây dẫn "có điện" có thể khiến các bộ phận kim loại bị hở của dụng cụ máy "có điện" và làm cho người vận hành bị điện giật.
4. **Luôn đảm bảo bạn có chỗ đặt chân vững chắc. Đảm bảo rằng không có ai ở bên dưới khi sử dụng dụng cụ ở trên cao.**
5. **Cầm chắc dụng cụ bằng cả hai tay.**
6. **Giữ tay tránh xa các bộ phận quay.**
7. **Không để mặc dụng cụ hoạt động. Chỉ vận hành dụng cụ khi cầm trên tay.**
8. **Không chạm vào mũi khoan hay vật gia công ngay sau khi vận hành; chúng có thể rất nóng và có thể gây bỏng da.**
9. **Một số vật liệu có thể chứa hoá chất độc. Hãy cẩn thận để tránh hít phải bụi và tiếp xúc với da. Tuân theo dữ liệu an toàn của nhà cung cấp vật liệu.**

LƯU GIỮ CÁC HƯỚNG DẪN NÀY.

⚠ CẢNH BÁO:

KHÔNG được để sự thoải mái hay quen thuộc với sản phẩm (có được do sử dụng nhiều lần) thay thế việc tuân thủ nghiêm ngặt các quy định về an toàn dành cho sản phẩm này. **VIỆC DÙNG SAI** hoặc không tuân theo các quy định về an toàn được nêu trong tài liệu hướng dẫn này có thể dẫn đến thương tích cá nhân nghiêm trọng.

MÔ TẢ CHỨC NĂNG

Hoạt động công tắc (Hình 1)

⚠ CẢNH BÁO:

- Trước khi cắm điện vào dụng cụ, luôn luôn kiểm tra xem cần khởi động công tắc có hoạt động bình thường hay không và trả về vị trí "OFF" (TẮT) khi nhả ra.
- Công tắc có thể khóa ở vị trí "ON" (BẬT) để người vận hành dễ dàng thuận tiện trong quá trình sử dụng kéo dài. Cần hết sức cẩn trọng khi khóa dụng cụ ở vị trí "ON" (BẬT) và phải luôn giữ chặt dụng cụ.

Để khởi động dụng cụ, chỉ cần kéo cần khởi động công tắc. Tốc độ dụng cụ được giảm xuống bằng cách tăng lực ép lên cần khởi động công tắc. Nhả cần khởi động công tắc ra để dừng. Để vận hành liên tục, hãy kéo cần khởi động công tắc, nhấn nút khóa và sau đó nhả cần khởi động công tắc ra. Để dừng dụng cụ từ vị trí đã khóa, hãy kéo cần khởi động công tắc hết mức, sau đó nhả ra.

Hoạt động công tắc đảo chiều (Hình 2)

⚠ CẢNH BÁO:

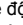

- Luôn luôn kiểm tra hướng xoay trước khi vận hành.
- Chỉ sử dụng công tắc đảo chiều sau khi dụng cụ đã dừng hoàn toàn. Việc thay đổi hướng xoay trước khi dụng cụ dừng có thể làm hỏng dụng cụ.
- Nếu không thể nhấn cần khởi động công tắc, hãy kiểm tra xem công tắc đảo chiều có được cài đặt đủ vào đúng vị trí ⇐ (mặt A) hoặc vị trí ⇒ (mặt B) chưa.

Dụng cụ này có một công tắc đảo chiều để thay đổi chiều xoay. Di chuyển cần gạt công tắc đảo chiều sang vị trí ⇐ (mặt A) để xoay theo chiều kim đồng hồ hoặc sang vị trí ⇒ (mặt B) để xoay ngược chiều kim đồng hồ.

Chọn chế độ hoạt động (Hình 3)

⚠ CẢNH BÁO:

- Luôn trượt cần chuyển chế độ hoạt động hết mức đến vị trí chế độ bạn mong muốn. Nếu bạn vận hành dụng cụ này với cần chuyển chế độ hoạt động được đặt ở giữa các biểu tượng, dụng cụ có thể bị hư hỏng.

Dụng cụ này có một cần chuyển chế độ hoạt động. Để vào chế độ khoan đóng búa, trượt cần chuyển chế độ hoạt động sang bên phải (biểu tượng ). Để vào chế độ chỉ khoan, trượt cần chuyển chế độ hoạt động sang bên trái (biểu tượng ).

LẮP RÁP

⚠ CẢNH BÁO:

- Luôn luôn đảm bảo rằng dụng cụ đã được tắt và tháo phích cắm trước khi dùng dụng cụ thực hiện bất cứ công việc nào.

Lắp đặt tay cầm hông (tay cầm phụ) (Hình 4)

⚠ CẢNH BÁO:

- Luôn đảm bảo rằng dụng cụ này đã được tắt và rút phích cắm trước khi lắp hoặc tháo gỡ tay cầm hông. Luôn sử dụng tay cầm hông để đảm bảo vận hành an toàn. Lắp đặt tay cầm hông sao cho răng của tay cầm khớp vào giữa phần nhô ra của vành trống dụng cụ. Sau đó vặn chặt tay cầm bằng cách xoay theo chiều kim đồng hồ đến vị trí mong muốn. Tay cầm có thể xoay 360° để được giữ chặt ở bất cứ vị trí nào.

LƯU Ý:

- Tay cầm hông không thể xoay 360° khi có lắp thanh đỡ sâu.

Lắp hoặc tháo gỡ mũi khoan (Hình 5)

⚠ CẢNH BÁO:

- Luôn đảm bảo rằng dụng cụ này đã được tắt và rút phích cắm trước khi lắp hoặc tháo gỡ mũi khoan. Để lắp đặt đầu mũi, hãy lắp nó vào trong ngàm kẹp hết mức có thể. Vặn phản ngàm kẹp lại bằng tay. Đặt khóa ngàm vào một trong ba lỗ nhỏ rồi vặn chặt theo chiều kim đồng hồ. Đảm bảo vặn chặt cả ba lỗ ngàm đều nhau. Để tháo mũi khoan, hãy xoay khóa ngàm ngược chiều kim đồng hồ chỉ ở một lỗ, sau đó vặn lỏng bộ phận ngàm bằng tay. Sau khi dùng khóa ngàm, phải đảm bảo đặt nó về vị trí ban đầu.

Thanh đo sâu (phụ kiện tùy chọn) (Hình 6)

Thanh đo sâu rất thuận tiện để khoan các lỗ có chiều sâu đồng nhất. Lắp đặt thanh đo sâu theo trình tự sau.

1. Xoay tay cầm hông ngược chiều kim đồng hồ để vặn lỏng bu-lông lục giác.
2. Lắp thanh đo sâu và điều chỉnh độ sâu lỗ khoan.
3. Xoay tay cầm hông theo chiều kim đồng hồ sao cho thanh đo sâu và đế tay cầm được cố định hoàn toàn trên dụng cụ.

LƯU Ý:

- Thanh đo sâu không thể dùng ở vị trí nơi thanh đo sâu vướng vào thân dụng cụ.

VẬN HÀNH

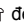
⚠ CẢNH BÁO:

- Luôn sử dụng tay cầm bên hông (tay cầm phụ trợ) và giữ chặt dụng cụ bằng cả hai tay cầm bên hông và đổi tay cầm trong lúc vận hành. (Hình 7)

Thao tác khoan búa

⚠ CẢNH BÁO:

- Sẽ có lực xoắn rất lớn và bất ngờ trên dụng cụ/mũi khoan lúc lỗ khoan được xuyên thủng, khi lỗ khoan bắt đầu bị kẹt bởi các hạt vụn và hạt hoặc khi dụng cụ vào các thép gia cường có trong bê-tông. Luôn sử dụng tay cầm bên hông (tay cầm phụ trợ) và giữ chặt dụng cụ bằng cả hai tay cầm bên hông và đổi tay cầm trong lúc vận hành. Không làm như vậy có thể mất điều khiển dụng cụ và gây thương tích nghiêm trọng.

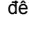
Khi khoan trong bê-tông, đá granite, gạch, v.v... trượt cần chuyển chế độ hoạt động sang vị trí có biểu tượng  để

dùng hoạt động “khoan đóng búa”. Đảm bảo rằng bạn sử dụng mũi khoan có đầu bịt tungsten-cacbua. Không được ấn mạnh khi lỗ khoan bắt đầu bị nghẽn bởi các mảnh vụn và các hạt. Thay vào đó, hãy chạy dụng cụ ở chế độ chờ, sau đó tháo riêng mũi khoan khỏi lỗ. Bằng cách lặp lại thao tác này vài lần, lỗ khoan sẽ được vệ sinh sạch. Sau khi khoan lỗ, sử dụng bóng thổi khí để vệ sinh bụi bắn ra khỏi lỗ.

Thao tác khoan

CẢN TRỌNG:

- Nhấn dụng cụ quá mức sẽ không tăng tốc độ khoan lên được. Trên thực tế, việc nhấn mạnh thêm này sẽ chỉ làm gây hỏng đầu mũi của bạn, giảm hiệu năng và tuổi thọ hoạt động của dụng cụ.
- Sẽ có lực quán tính rất lớn trên dụng cụ/mũi khoan lúc lỗ khoan được xuyên thủng. Giữ chặt dụng cụ và chuẩn bị ghìm lực quán tính lại khi mũi khoan xuyên thủng vật gia công.
- Mũi khoan bị kẹt có thể được tháo ra đơn giản bằng cách đặt công tắc đảo chiều sang chế độ xoay ngược lại để rút mũi khoan ra. Tuy nhiên, dụng cụ có thể quay ngược ra bất ngờ nếu bạn không giữ chặt.
- Luôn luôn giữ chặt các vật gia công có kích thước nhỏ bằng kim hoặc dụng cụ kẹp tương tự.

Khi khoan trong gỗ, kim loại hoặc vật liệu nhựa, trượt cần chuyển chế độ hoạt động sang vị trí có biểu tượng  để dùng hoạt động “chỉ khoan”.

Khoan vào gỗ

Khi khoan vào gỗ, để có kết quả tốt nhất cần sử dụng các mũi khoan dùng để khoan gỗ và vít dẫn. Vít dẫn giúp khoan dễ dàng hơn bằng cách kéo đầu mũi vào trong vật gia công.

Khoan vào kim loại

Để phòng ngừa đầu mũi bị trượt ra lúc bắt đầu khoan lỗ, hãy tạo một vết lõm bằng cách dùng dùi đục tâm và đóng vào điểm cần khoan. Đặt đầu mũi khoan vào chỗ lõm này và bắt đầu khoan. Sử dụng dầu nhờn để cắt khi khoan kim loại. Trừ các trường hợp dùng sắt và đồng thau cần phải được khoan khô.

BẢO TRÌ

CẢN TRỌNG:

- Luôn luôn đảm bảo rằng dụng cụ đã được tắt và tháo phích cắm trước khi dùng dụng cụ thực hiện bất cứ công việc nào.
- Không bao giờ dùng xăng, ét xăng, dung môi, cồn hoặc hóa chất tương tự. Có thể xảy ra hiện tượng mất màu, biến dạng hoặc nứt vỡ.

Để duy trì sự an toàn và tin cậy của sản phẩm, mọi sửa chữa, bảo trì hoặc điều chỉnh dụng cụ đều phải được thực hiện bởi Trung tâm Dịch vụ ủy quyền của Makita.

คำอธิบายของมุมมองทั่วไป

- | | | |
|----------------------------|----------------------------------|-------------------------|
| 1. สวิตช์สั่งงาน | 6. ฟันเฟือง | 11. หัวจับดอกสว่าน |
| 2. ปุ่มล็อค | 7. ด้ามจับด้านข้าง (มือจับเสริม) | 12. ประแจขันหัวจับ |
| 3. ก้านสวิตช์เปลี่ยนทิศทาง | 8. ส่วนที่ยื่นออกมา | 13. ด้ามจับด้านข้าง |
| 4. ก้านเปลี่ยนโหมดการทำงาน | 9. คลาย | 14. เกจวัดความลึก |
| 5. ฐานด้ามจับ | 10. ชันแน่น | 15. สลักเกลียวหกเหลี่ยม |

ข้อมูลจำเพาะ

รุ่น	MT80A	MT80B	
ความสามารถในการเจาะ	คอนกรีต	10 มม.	16 มม.
	ไม้	20 มม.	20 มม.
	โลหะ	10 มม.	13 มม.
ความเร็วขณะหมุนเปล่า (รอบต่อนาที)	0 - 3,200	0 - 3,200	
อัตราเจาะกระแทกต่อนาที	0 - 48,000	0 - 48,000	
ความยาวโดยรวม	254 มม.	262 มม.	
น้ำหนักสุทธิ	1.6 กก.	1.7 กก.	
มาตรฐานความปลอดภัย	II/II		

- เนื่องจากกรค้นคว้าวิจัยและพัฒนาอย่างต่อเนื่อง ข้อมูลจำเพาะในเอกสารฉบับนี้อาจเปลี่ยนแปลงได้โดยไม่ต้องแจ้งให้ทราบล่วงหน้า
- ข้อมูลจำเพาะอาจแตกต่างกันไปในแต่ละประเทศ
- น้ำหนักตามข้อบังคับของ EPTA 01/2003

END201-7

GEA005-3

สัญลักษณ์

ต่อไปนี้เป็นสัญลักษณ์ที่ใช้สำหรับอุปกรณ์โปรดศึกษาความหมายของสัญลักษณ์ให้เข้าใจก่อนการใช้งาน



.....อ่านคู่มือการใช้งาน



.....ฉนวนสองชั้น

จุดประสงค์ของเครื่องมือ

เครื่องมือนี้ใช้สำหรับเจาะกระแทกอิฐ คอนกรีต หิน และใช้สำหรับเจาะไม้ โลหะ เซรามิก และพลาสติก

ENE039-1

ENF002-2

แหล่งจ่ายไฟ

ควรเชื่อมต่อเครื่องมือกับแหล่งจ่ายไฟที่มีแรงดันไฟฟ้าตามที่ระบุไว้ในป้ายข้อมูลของเครื่องมือ และต้องใช้ไฟฟ้ากระแสสลับแบบเฟสเดียวเท่านั้น อุปกรณ์นี้ได้รับการหุ้มฉนวนสองชั้นและสามารถใช้กับปลั๊กไฟที่ไม่มีสายดินได้

คำเตือนด้านความปลอดภัยของเครื่องมือไฟฟ้าทั่วไป

⚠ คำเตือน อ่านคำเตือนด้านความปลอดภัยและคำแนะนำทั้งหมด การไม่ปฏิบัติตามคำเตือนและคำแนะนำดังกล่าวอาจส่งผลให้เกิดไฟฟ้าช็อต ไฟไหม้ และ/หรือได้รับบาดเจ็บอย่างร้ายแรง

เก็บรักษาคำเตือนและคำแนะนำทั้งหมดไว้เป็นข้อมูลอ้างอิงในอนาคต

คำว่า “เครื่องมือไฟฟ้า” ในคำเตือนนี้ หมายถึง เครื่องมือไฟฟ้า (มีสาย) ที่ทำงานโดยใช้กระแสไฟฟ้า หรือเครื่องมือไฟฟ้า (ไร้สาย) ที่ทำงานโดยใช้แบตเตอรี่

ความปลอดภัยของพื้นที่ทำงาน

- ดูแลพื้นที่ทำงานให้มีความสะอาดและมีแสงไฟสว่าง พื้นที่รกระเกะระกะหรือมีดที่บอาน่าไปสู่การเกิดอุบัติเหตุได้

- อย่าใช้งานเครื่องมือไฟฟ้าในสภาพที่อาจเกิดการกระเบิด เช่น ในสถานที่ที่มีของเหลว ก๊าซ หรือฝุ่นผงที่มีคุณสมบัติไวไฟ เครื่องมือไฟฟ้าจะสร้างประกายไฟเพื่อจุดชนวนฝุ่นผงหรือก๊าซดังกล่าว
- ดูแลไม่ให้มีเด็ก ๆ หรือบุคคลอื่นอยู่ในบริเวณที่กักเลี้ยงใช้เครื่องมือไฟฟ้า การมีสิ่งรบกวนสมาธิอาจทำให้คุณสูญเสียการควบคุม

ความปลอดภัยด้านไฟฟ้า

- ปลั๊กของเครื่องมือไฟฟ้าต้องพอดีกับเต้ารับ อย่าตัดแปลงปลั๊กไม่ว่ากรณีใด ๆ อย่าใช้ปลั๊กอะแดปเตอร์กับเครื่องมือไฟฟ้าที่ต่อสายดิน ปลั๊กที่ไม่ถูกต้องและเต้ารับไฟที่เข้ากันพอดีจะชว่ลดความเสี่ยงของการเกิดไฟฟ้าช็อต
- ระวังอย่าให้ร่างกายสัมผัสกับพื้นผิวที่ต่อสายดิน เช่น ท่อเครื่องทำความร้อน เตาหุงต้ม และตู้เย็น มีความเสี่ยงที่จะเกิดไฟฟ้าช็อตสูงขึ้น หากร่างกายของคุณสัมผัสกับพื้น
- อย่าให้เครื่องมือไฟฟ้าถูกน้ำหรืออยู่ในสภาพเปียกชื้น น้ำที่ไหลเข้าไปในเครื่องมือไฟฟ้าจะเพิ่มความเสี่ยงของการเกิดไฟฟ้าช็อต
- อย่าใช้สายไฟอย่างที่ไม่เหมาะสม อย่าใช้สายไฟเพื่อยก ดึง หรือ ถอดปลั๊กเครื่องมือไฟฟ้า เก็บสายไฟให้ห่างจากความร้อน น้ำมัน ของมีคม หรือชิ้นส่วนที่เคลื่อนที่ สายที่ชำรุดหรือพันกันจะเพิ่มความเสี่ยงของการเกิดไฟฟ้าช็อต
- ขณะที่ใช้งานเครื่องมือไฟฟ้านอกอาคาร ควรใช้สายต่อพ่วงที่เหมาะสมกับงานภายนอกอาคาร การใช้สายที่เหมาะสมกับงานภายนอกอาคารจะลดความเสี่ยงของการเกิดไฟฟ้าช็อต
- หากต้องใช้งานเครื่องมือไฟฟ้าในสถานที่เปียกชื้น ให้ใช้อุปกรณ์ป้องกันกระแสไฟรั่ว (RCD) การใช้ RCD จะลดความเสี่ยงของการเกิดไฟฟ้าช็อต
- ขอแนะนำให้ใช้แหล่งจ่ายไฟผ่าน RCD ที่มีกระแสไฟรั่วในอัตราไม่เกิน 30 mA เสมอ

ความปลอดภัยส่วนบุคคล

- ให้ระมัดระวัง และสังเกตเสมอว่าคุณกำลังทำสิ่งใดอยู่ และใช้สามัญสำนึกในขณะที่ใช้งานเครื่องมือไฟฟ้า อย่าใช้งานเครื่องมือไฟฟ้าในขณะที่คุณกำลังเหนื่อย หรือในสภาพที่มีเมฆจากยาเสพติด เครื่องดื่มแอลกอฮอล์ หรือการใช้ยา ช่วงเวลาที่ขาดความระมัดระวังเมื่อกำลังใช้งานเครื่องมือไฟฟ้าอาจทำให้คุณได้รับบาดเจ็บอย่างรุนแรง
- ใช้อุปกรณ์ป้องกันส่วนบุคคล สวมแว่นตาป้องกันเสมอ อุปกรณ์ป้องกัน เช่น หน้ากากกันฝุ่น รองเท้านิรภัยกันลื่น หมวกนิรภัย หรือเครื่องป้องกันการได้ยินที่ใช้ในสภาพที่เหมาะสมจะช่วยลดการบาดเจ็บ
- ป้องกันไม่ให้เปิดใช้งานอย่างไม่มีตั้งใจ ตรวจสอบว่าสวิตช์อยู่ในตำแหน่งปิดก่อนเชื่อมต่อกับแหล่งจ่ายไฟ และ/หรือ ชุดแบตเตอรี่ หรือก่อนการยกหรือถือเครื่องมือ การถอด

นิ้วมือบริเวณสวิตช์เพื่อถือเครื่องมือไฟฟ้า หรือการชาร์จไฟ เครื่องมือไฟฟ้าในขณะที่เปิดสวิตช์อยู่อาจนำไปสู่การเกิดอุบัติเหตุ

- นำกฎแฉับบังคับหรือประแจออกก่อนที่จะเปิดเครื่องมือไฟฟ้า ประแจหรือกฎแฉับที่เสียบค้างอยู่ในชิ้นส่วนที่หมุนได้ของเครื่องมือไฟฟ้าอาจทำให้คุณได้รับบาดเจ็บ
- อย่าทำงานในระบะยะที่สุดเอื้อม จัดทำการยึนและการทรงตัวให้เหมาะสมตลอดเวลา เพราะจะทำให้ควบคุมเครื่องมือไฟฟ้าได้ดีขึ้นในสถานการณ์ที่ไม่คาดคิด
- แต่งกายให้เหมาะสม อย่าสวมเครื่องแต่งกายที่หลวมเกินไป หรือสวมเครื่องประดับ ดูแลไม่ให้เส้นผม เสื้อผ้า และถุงมืออยู่ใกล้ชิ้นส่วนที่เคลื่อนที่ เสื้อผ้ารุ่มร่าม เครื่องประดับ หรือผมที่มีผมยาวอาจเข้าไปติดในชิ้นส่วนที่เคลื่อนที่
- หากมีการจัดอุปกรณ์สำหรับคุณและจัดเก็บฝุ่นไว้ในสถานที่ ให้ตรวจสอบว่าได้เชื่อมต่อและใช้งานอุปกรณ์นั้นอย่างเหมาะสม การใช้เครื่องดูดและจัดเก็บฝุ่นจะช่วยลดอันตรายที่เกิดจากฝุ่นผงได้

การใช้และดูแลเครื่องมือไฟฟ้า

- อย่าฝืนใช้เครื่องมือไฟฟ้า ใช้เครื่องมือไฟฟ้าที่เหมาะสมกับการใช้งานของคุณ เครื่องมือไฟฟ้าที่เหมาะสมจะทำให้ได้งานที่มีประสิทธิภาพและปลอดภัยกว่าตามขีดความสามารถของเครื่องที่ได้รับการออกแบบมา
- อย่าใช้เครื่องมือไฟฟ้า หากสวิตช์ไม่สามารถเปิดปิดได้ เครื่องมือไฟฟ้าที่ควบคุมด้วยสวิตช์ไม่ได้เป็นสิ่งอันตรายและต้องได้รับการซ่อมแซม
- ถอดปลั๊กจากแหล่งจ่ายไฟ และ/หรือชุดแบตเตอรี่ออกจากเครื่องมือไฟฟ้าก่อนทำการปรับแต่ง เปลี่ยนอุปกรณ์เสริม หรือจัดเก็บเครื่องมือไฟฟ้า วิธีการป้องกันด้านความปลอดภัยดังกล่าวจะชว่ลดความเสี่ยงของการเปิดใช้งานเครื่องมือไฟฟ้าอย่างไม่มีตั้งใจ
- จัดเก็บเครื่องมือไฟฟ้าที่ไม่ได้ใช้งานให้ห่างจากมือเด็ก และอย่าอนุญาตให้บุคคลที่ไม่คุ้นเคยกับเครื่องมือไฟฟ้า หรือคำแนะนำเหล่านี้ใช้งานเครื่องมือไฟฟ้า เครื่องมือไฟฟ้าจะเป็นอันตรายเมื่ออยู่ในมือของผู้ที่ไม่ได้รับการฝึกอบรม
- การดูแลรักษาเครื่องมือไฟฟ้า ตรวจสอบการประกอบที่ไม่ถูกต้องหรือการเชื่อมต่อของชิ้นส่วนที่เคลื่อนที่ การแตกหักของชิ้นส่วน หรือสภาพอื่น ๆ ที่อาจส่งผลกระทบต่อการทำงานของเครื่องมือไฟฟ้า หากมีความเสียหายให้นำเครื่องมือไฟฟ้าไปซ่อมแซมก่อนการใช้งาน อุบัติเหตุจำนวนมากเกิดจากการดูแลรักษาเครื่องมือไฟฟ้าอย่างไม่ถูกต้อง
- ล้างทำความสะอาดและทำความสะอาดเครื่องมือการตัดอยู่เสมอ เครื่องมือการตัดที่มีการดูแลอย่างถูกต้องและมีขอบการตัดคมมักจะมีปัญหาตัดชิ้นน้อยและควบคุมได้ง่ายกว่า

24. ใช้เครื่องมือไฟฟ้า อุปกรณ์เสริม และวัสดุสิ้นเปลือง ฯลฯ ตามคำแนะนำดังกล่าว พิจารณาสภาพการทำงานและงานที่จะลงมือทำ การใช้เครื่องมือไฟฟ้าเพื่อทำงานอื่นนอกเหนือจากที่กำหนดไว้อาจทำให้เกิดอันตราย

การบริการ

25. นำเครื่องมือไฟฟ้าเข้ารับบริการจากช่างซ่อมที่ผ่านการรับรองโดยใช้อะไหล่แบบเดียวกันเท่านั้น เพราะจะทำให้การใช้เครื่องมือไฟฟ้ามีความปลอดภัย
26. ปฏิบัติตามคำแนะนำในการหล่อลื่นและการเปลี่ยนอุปกรณ์เสริม
27. ดูแลมือจับให้แห้ง สะอาด และไม่มีน้ำมันและจาระบีเปื้อน

GEB003-5

คำเตือนด้านความปลอดภัยของ ส่วนไฟฟ้าแบบเจาะกระแทก

1. **สวมใส่อุปกรณ์ป้องกันเสียงเมื่อทำการเจาะกระแทก** เสียงที่ดังเกินขนาดอาจทำให้สูญเสียการได้ยิน
2. **ใช้มือจับเสริม** ถ้ามีมากับเครื่อง การสูญเสียความควบคุม อาจทำให้เกิดการบาดเจ็บ
3. **ถือเครื่องมือบริเวณมือจับที่เป็นฉนวนขณะทำงานที่เครื่องมือตัดอาจสัมผัสกับสายไฟที่ซ่อนอยู่หรือสายไฟของเครื่องเอง**
อุปกรณ์การตัดที่สัมผัสกับสายไฟที่ “มีกระแสไฟฟ้าไหลผ่าน” อาจทำให้ส่วนที่เป็นโลหะของเครื่องมือไฟฟ้าที่ไม่มีฉนวนหุ้ม “มีกระแสไฟฟ้าไหลผ่าน” และทำให้ผู้ปฏิบัติงานถูกไฟฟ้าช็อตได้
4. **ตรวจสอบบริเวณที่ขี้นให้มีความมั่นคงเสมอ** หากใช้งานเครื่องมือในพื้นที่สูง ระวังอย่าให้มีคนอยู่ด้านล่าง
5. **จับเครื่องมือให้แน่นด้วยมือทั้งสองข้าง**
6. **ระวังอย่าให้มือสัมผัสกับชิ้นส่วนที่หมุนได้**
7. **อย่าปล่อยให้เครื่องมือทำงานค้างไว้ ใช้งานเครื่องมือในขณะที่ถืออยู่เท่านั้น**
8. **ห้ามสัมผัสกับดอกสว่านหรือชิ้นงานทันทีที่ทำงานเสร็จ** เนื่องจากดอกสว่านหรือชิ้นงานอาจมีความร้อนสูงและลวกผิวหนังของคุณได้
9. **วัสดุบางอย่างอาจมีสารเคมีที่เป็นพิษ ระวังอย่าสูดดมฝุ่นหรือให้สารเหล่านั้นสัมผัสกับร่างกาย ปฏิบัติตามข้อมูลด้านความปลอดภัยของผู้ผลิตวัสดุ**

บันทึกคำแนะนำเหล่านี้

⚠ คำเตือน:

อย่าให้ความไม่ระมัดระวังหรือความคุ้นเคยกับผลิตภัณฑ์ (จากการใช้งานซ้ำหลายครั้ง) อยู่เหนือการปฏิบัติตามกฎเกณฑ์ด้านความปลอดภัยในการใช้งานผลิตภัณฑ์อย่างเคร่งครัด การปฏิบัติอย่างไม่เหมาะสมหรือการไม่ปฏิบัติตามกฎเกณฑ์ด้านความปลอดภัยในคู่มือใช้งานนี้อาจก่อให้เกิดการบาดเจ็บอย่างรุนแรง

คำอธิบายการทำงาน

การทำงานของสวิตช์ (ภาพที่ 1)

⚠ ข้อควรระวัง:

- ก่อนเสียบปลั๊กเครื่องมือ ให้ตรวจสอบว่าสวิตช์สั่งงานสามารถทำงานได้อย่างถูกต้อง และกลับไปยังตำแหน่ง “OFF” เมื่อปล่อย
 - สวิตช์สามารถล๊อคในตำแหน่ง “ON” เพื่อช่วยให้สะดวกในการใช้งานอย่างต่อเนื่อง ใช้ความระมัดระวังเมื่อล๊อคสวิตช์เครื่องมือในตำแหน่ง “ON” และจับเครื่องมือให้แน่นตลอดเวลา
- เปิดใช้เครื่องมือโดยดึงสวิตช์สั่งงาน ความเร็วเครื่องมือจะเพิ่มขึ้นเมื่อออกแรงกดที่สวิตช์สั่งงาน ปล่อยสวิตช์สั่งงานเพื่อหยุดทำงาน ถ้าต้องการใช้งานอย่างต่อเนื่อง ดึงสวิตช์สั่งงาน กดปุ่มล๊อคแล้วปล่อยสวิตช์สั่งงาน ถ้าต้องการเลิกใช้งานเครื่องมือในตำแหน่งล๊อค ให้ดึงสวิตช์สั่งงานจนสุด จากนั้นปล่อยสวิตช์

การทำงานของสวิตช์เปลี่ยนทิศทาง (ภาพที่ 2)

⚠ ข้อควรระวัง:

- ตรวจสอบทิศทางการหมุนก่อนการใช้งานเสมอ
- ใช้สวิตช์เปลี่ยนทิศทางหลังเครื่องมือหยุดสนิทเท่านั้น การเปลี่ยนทิศทางการหมุนก่อนเครื่องมือหยุดสนิทอาจทำให้เครื่องมือเสียหายได้
- ถ้าไม่สามารถกดสวิตช์สั่งงาน ตรวจสอบสวิตช์เปลี่ยนทิศทางให้อยู่ในตำแหน่ง ⇐ (ด้าน A) หรือ ⇨ (ด้าน B) เครื่องมือนี้ไม่มีสวิตช์เปลี่ยนทิศทาง เพื่อใช้เปลี่ยนทิศทางการหมุน ปรับก้านสวิตช์เปลี่ยนทิศทางไปที่ตำแหน่ง ⇐ (ด้าน A) สำหรับการหมุนตามเข็มนาฬิกา หรือไปที่ตำแหน่ง ⇨ (ด้าน B) สำหรับการหมุนทวนเข็มนาฬิกา

การเลือกโหมดการทำงาน (ภาพที่ 3)

⚠ ข้อควรระวัง:

- เลื่อนก้านเปลี่ยนโหมดการทำงานตามตำแหน่งโหมดที่คุณต้องการใช้งานสูงสุดเสมอ หากคุณใช้งานเครื่องมือโดยที่ก้านอยู่กึ่งกลางระหว่างสัญลักษณ์โหมด เครื่องมืออาจเสียหายได้ เครื่องมือนี้มีก้านเปลี่ยนโหมดการทำงาน สำหรับการหมุนและการตอก ให้เลื่อนก้านเปลี่ยนโหมดการทำงานไปทางขวา

(สัญลักษณ์ ๗) สำหรับการหมุนเท่านั้น ให้เลื่อนก้านเปลี่ยนโหมดการทำงานไปทางซ้าย (สัญลักษณ์ ๘)

การประกอบ

⚠ ข้อควรระวัง:

- ตรวจสอบให้แน่ใจว่าสวิตช์เครื่องมืออยู่ในตำแหน่งปิดเครื่อง และถอดปลั๊กเครื่องมือออกก่อนดำเนินงานใดๆ กับเครื่องมือ

การประกอบด้ามจับด้านข้าง (มือจับเสริม)

(ภาพที่ 4)

⚠ ข้อควรระวัง:

- ตรวจสอบให้แน่ใจว่าได้ปิดสวิตช์เครื่องมือและถอดปลั๊กออกก่อนทำการติดตั้งหรือถอดด้ามจับด้านข้าง

ใช้ด้ามจับด้านข้างเสมอ เพื่อความปลอดภัยในการใช้งาน ติดตั้งด้ามจับด้านข้าง โดยให้พื้นผิวของด้ามจับอยู่ระหว่างส่วนที่ยื่นออกมาของเครื่องมือ

จากนั้นขันด้ามจับโดยการหมุนตามเข็มนาฬิกาตรงตำแหน่งที่ต้องการ ซึ่งอาจจะหมุน 360° เพื่อให้ยึดแน่นที่ตำแหน่งใดตำแหน่งหนึ่ง

หมายเหตุ:

- ด้ามจับด้านข้างไม่สามารถหมุน 360° เมื่อติดตั้งเกจวัดความลึก

การติดตั้งหรือถอดดอกสว่าน (ภาพที่ 5)

⚠ ข้อควรระวัง:

- ตรวจสอบให้แน่ใจว่าได้ปิดสวิตช์เครื่องมือและถอดปลั๊กออกก่อนทำ การติดตั้งหรือถอดดอกสว่าน

เมื่อต้องการติดตั้งดอกสว่าน ให้ใส่ดอกสว่านลงในหัวจับจนสุด ขันแน่นหัวจับด้วยมือ ใช้ประแจขันหัวจับขันทั้งสามจุดตามเข็มนาฬิกาอย่างลึม ขันหัวจับทั้งสามจุดให้เท่ากัน ถ้าต้องการถอดดอกสว่าน ให้หมุนประแจขันหัวจับทวนเข็มนาฬิกาเพียงรูเดียว จากนั้นคลายหัวจับด้วยมือ

หลังจากใช้ประแจขันหัวจับ ให้เก็บประแจกลับเข้าที่ตำแหน่งเดิม

เกจวัดความลึก (อุปกรณ์เสริม) (ภาพที่ 6)

เกจวัดความลึกเหมาะสมที่จะใช้สำหรับรูเจาะที่มีความลึกเท่ากัน ติดตั้งเกจวัดความลึกตามลำดับดังนี้

- หมุนด้ามจับด้านข้างทวนเข็มนาฬิกาเพื่อคลายสลักเกลียวหกเหลี่ยม
- ใส่เกจวัดความลึกและปรับความลึกของรู
- หมุนด้ามจับด้านข้างตามเข็มนาฬิกา เกจวัดความลึกและฐานด้ามจับก็จะถูกยึดเข้ากับเครื่องมืออย่างสมบูรณ์

หมายเหตุ:

- เกจวัดความลึกไม่สามารถใช้ที่ตำแหน่งซึ่งเกจชนกับตัวเครื่องมือได้

การใช้งาน

⚠ ข้อควรระวัง:

- ใช้ด้ามจับด้านข้าง (มือจับเสริม) เสมอ และจับเครื่องมือให้แน่นด้วยด้ามจับด้านข้างและมือจับสวิตช์ในระหว่างการใช้งาน (ภาพที่ 7)

การใช้งานการเจาะกระแทก

⚠ ข้อควรระวัง:

- จะมีแรงบิดบนเครื่องมือ/ดอกสว่านอย่างมากทันทีขณะเจาะรูทะลุเมื่อมีเศษวัสดุอุดตันที่รูหรือเมื่อปะทะกับเหล็กเสริมในคอนกรีต ใช้ด้ามจับด้านข้าง (มือจับเสริม) เสมอ และจับเครื่องมือให้แน่นด้วยด้ามจับด้านข้างและมือจับสวิตช์ในระหว่างการใช้งาน การไม่ปฏิบัติตามขั้นตอนดังกล่าวอาจทำให้ไม่สามารถควบคุมเครื่องมือและได้รับบาดเจ็บรุนแรง

เมื่อเจาะคอนกรีต แกรนิต กระเบื้อง ฯลฯ เลื่อนก้านเปลี่ยนโหมดการทำงานไปยังตำแหน่งสัญลักษณ์ ๗ เพื่อใช้งาน "การหมุนและการตอก" ใช้ดอกสว่านปลายทั้งสแตนคาร์ไบด์ ห้ามใช้แรงกดมากขึ้นเมื่อมีเศษโลหะ หรือวัสดุอุดตันที่รู ให้ใช้งานเครื่องมือที่รอบเดินเบาแทน จากนั้นดึงดอกสว่านบางส่วนออกมาจากรู การทำแบบนี้ซ้ำหลายๆ ครั้งจะทำให้รูสะอาด

หลังการเจาะรู ใช้กระดาษยางปาล์มเพื่อทำความสะอาดฝุ่นออกจากรู

การเจาะ

⚠ ข้อควรระวัง:

- การออกแรงกดบนเครื่องมือไม่ช่วยให้การเจาะเร็วขึ้น ตามข้อเท็จจริงแล้ว แรงกดที่มากเกินไปจะทำให้ปลายดอกสว่านเสียหาย ลดประสิทธิภาพและอายุการใช้งานของเครื่องมือ
- จะมีแรงกดบนเครื่องมือ/ดอกสว่านอย่างมากขณะเจาะรู จับเครื่องมือให้แน่น และระมัดระวังเมื่อดอกสว่านเริ่มเจาะทะลุขึ้นมา

- ดอกสว่านที่ติดอยู่ที่ชิ้นงานสามารถนำออกมาได้ง่ายโดยการใช้งานสวิตช์เปลี่ยนทิศทางเพื่อเปลี่ยนทิศทางการหมุนของดอกสว่านให้ถอยออกจากชิ้นงาน อย่างไรก็ตาม เครื่องมืออาจจะถอยออกทันทีโดยที่คุณไม่ทันตั้งตัว คุณจึงควรจับเครื่องมือไว้ให้แน่น

- ยึดชิ้นงานขนาดเล็กด้วยปากกาจับงาน หรืออุปกรณ์ยึดที่คล้ายคลึงกันเสมอ

เมื่อเจาะไม้ โลหะ หรือพลาสติก ให้หมุนก้านเปลี่ยนโหมดการทำงานไปยังตำแหน่งสัญลักษณ์ ๘ เพื่อใช้งาน "การหมุนเท่านั้น"

การเจาะไม้

เพื่อให้ได้ผลดีในการเจาะไม้ ควรใช้สว่านเจาะไม้ควบคู่กับสกรูนำ สกรูนำจะช่วยให้การเจาะง่ายขึ้น โดยการดึงดอกสว่านลงในชิ้นงาน

การเจาะโลหะ

เพื่อป้องกันดอกสว่านเลื่อนเมื่อเริ่มเจาะรู ให้ทำรอยตัดด้วยเหล็ก เจาะนำศูนย์และค้อนในจุดที่จะเจาะ วางปลายดอกสว่านที่รอยตัด และเริ่มเจาะ ใช้สารหล่อลื่นสำหรับการตัดเมื่อเจาะโลหะ ยกเว้นการ เจาะเหล็กและทองเหลือง ซึ่งควรเจาะแบบแห้ง

การบำรุงรักษา

⚠ ข้อควรระวัง:

- ตรวจสอบให้แน่ใจว่าสวิตช์เครื่องมืออยู่ในตำแหน่งปิดเครื่อง และถอดปลั๊กเครื่องมือออกก่อนดำเนินงานใดๆ กับเครื่องมือ
- อย่าใช้น้ำมันเชื้อเพลิง เบนซิน ทินเนอร์ แอลกอฮอล์ หรือวัสดุ ประเภทเดียวกัน เพราะอาจทำให้เครื่องมือมีสีซีดจาง ผิดรูปทรง หรือแตกหักได้

เพื่อความปลอดภัยและนำเชื้อถือของผลิตภัณฑ์ ควรให้ศูนย์บริการ ที่ผ่านการรับรองจาก Makita เป็นผู้ดำเนินการซ่อมแซม บำรุงรักษา และทำการปรับตั้ง

Makita Corporation
3-11-8, Sumiyoshi-cho,
Anjo, Aichi 446-8502 Japan
www.makita.com

885204B370

TRD