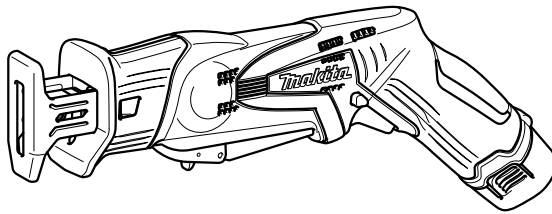




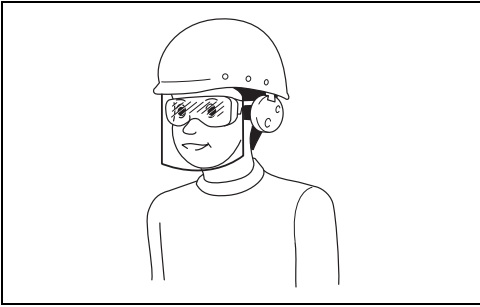
GB	Cordless Recipro Saw	Instruction manual
ID	Gergaji Bolak-Balik Nirkabel	Petunjuk penggunaan
VI	Máy Cưa Kiếm Cầm Tay Hoạt Động Bằng Pin	Tài liệu hướng dẫn
TH	เลื่อยอเนกประสงค์ไร้สาย	คู่มือการใช้งาน

JR100D
JR102D



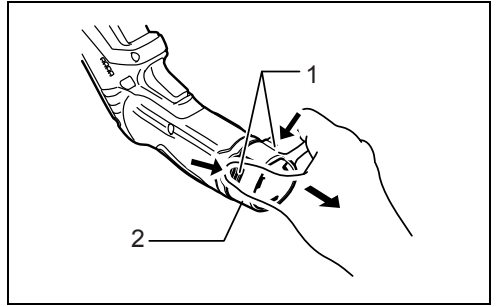
012163





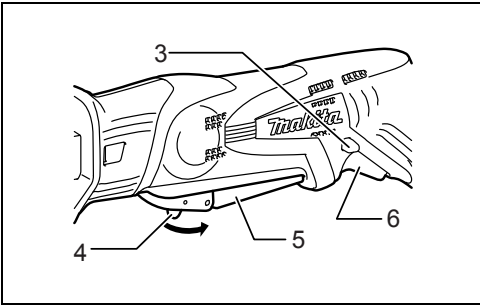
1

000114



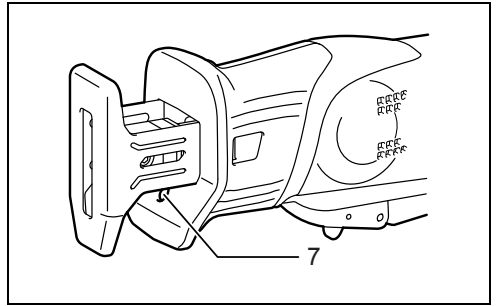
2

012164



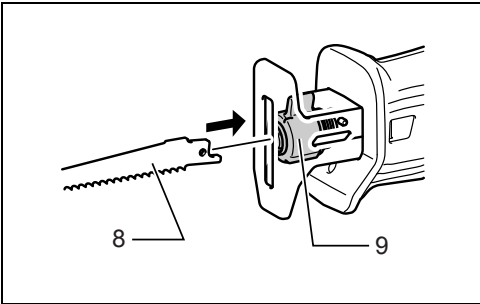
3

012169



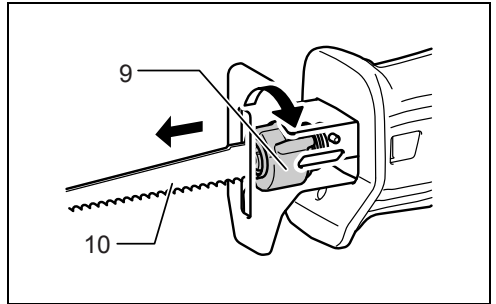
4

012168



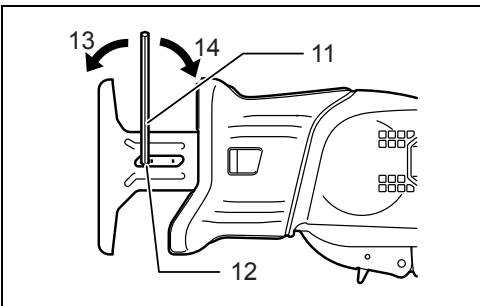
5

012161



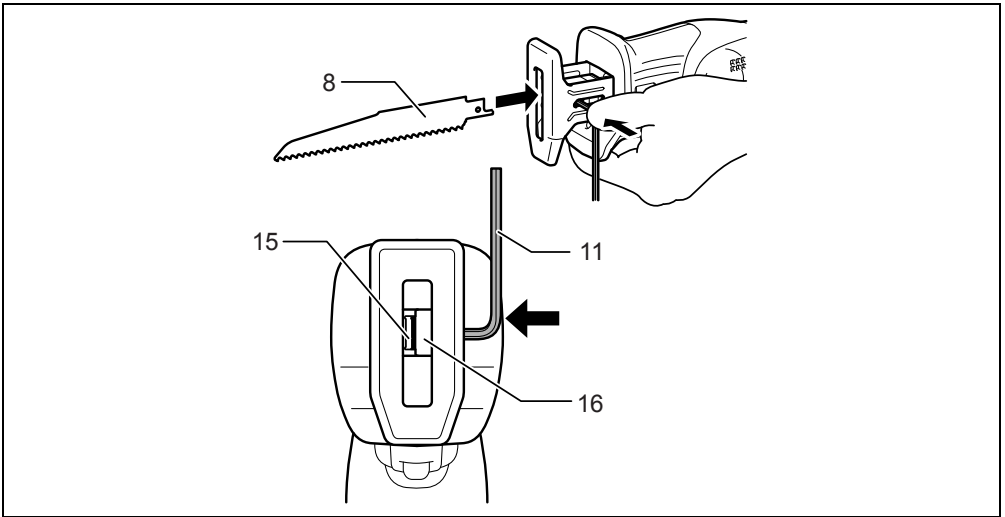
6

012162



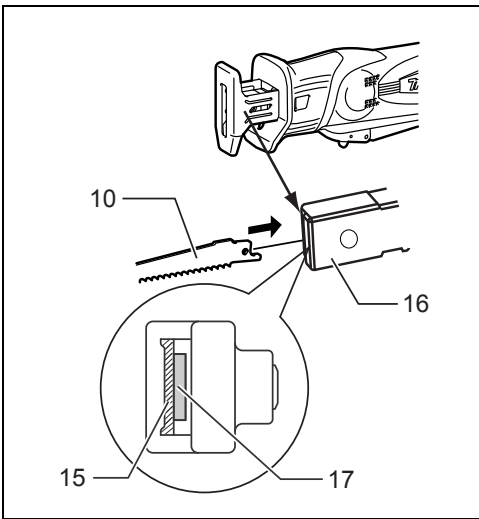
7

012165



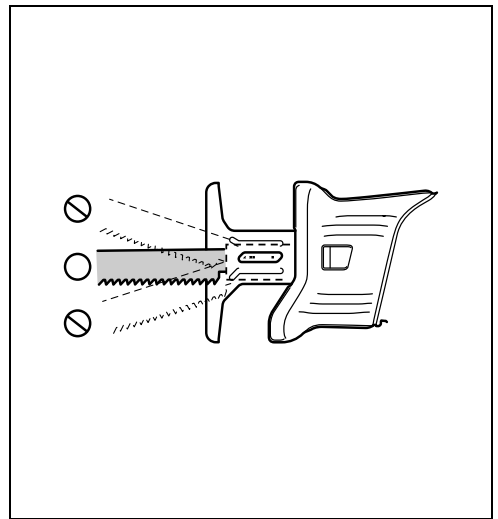
8

013062



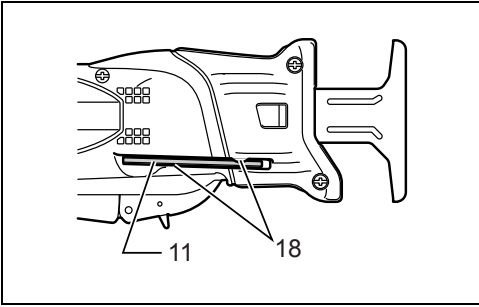
9

012229



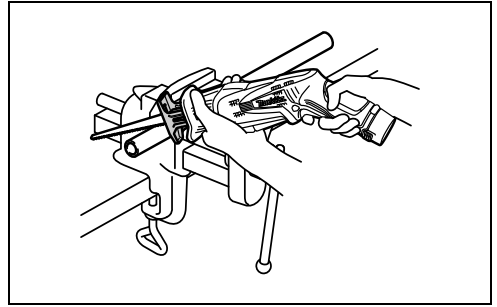
10

012230



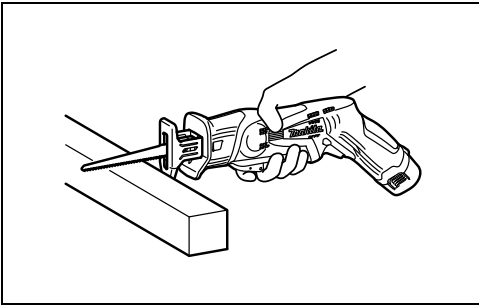
11

012167



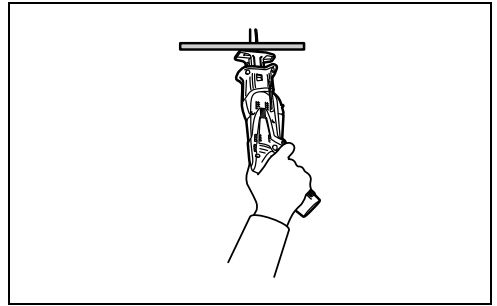
12

012171



13

012172



14

012173

ENGLISH (Original instructions)

Explanation of general view

- | | | |
|--------------------|-----------------------|--------------------------------|
| 1. Buttons | 7. Lamp | 13. Loosen |
| 2. Battery | 8. Recipro saw blade | 14. Tighten |
| 3. Lock-off button | 9. Blade clamp sleeve | 15. Hole for recipro saw blade |
| 4. Lock-off lever | 10. Saw blade | 16. Blade clamp |
| 5. Switch lever | 11. Hex wrench | 17. Hole for jig saw blade |
| 6. Switch trigger | 12. Bolt | 18. Projections |

SPECIFICATIONS

Model	JR100D	JR102D
Length of stroke	13 mm	
Strokes per minute (min ⁻¹)	0 - 3,300	
Max. cutting capacities	Pipe	50 mm
	Wood	50 mm
Overall length (with battery)	355 mm	
Net weight	1.2 kg	1.2 kg
Rated voltage	D.C. 10.8 V	

- Due to our continuing program of research and development, the specifications herein are subject to change without notice.
- Specifications may differ from country to country.
- Weight, with battery cartridge, according to EPTA-Procedure 01/2014

Applicable battery cartridge and charger

Battery cartridge	BL1013
Charger	DC10WA

- Some of the battery cartridges and chargers listed above may not be available depending on your region of residence.

WARNING:

- **Only use the battery cartridges and chargers listed above.** Use of any other battery cartridges and chargers may cause injury and/or fire.

Symbols

END004-7

The following show the symbols used for the equipment. Be sure that you understand their meaning before use.



... Read instruction manual.


Intended use

ENE020-1

The tool is intended for sawing wood, plastic and ferrous materials.

GENERAL POWER TOOL SAFETY WARNINGS

GEA013-2

 **WARNING:** Read all safety warnings, instructions, illustrations and specifications provided with this power tool. Failure to follow all instructions listed below may result in electric shock, fire and/or serious injury.

Save all warnings and instructions for future reference.

The term "power tool" in the warnings refers to your mains-operated (corded) power tool or battery-operated (cordless) power tool.

Work area safety

1. **Keep work area clean and well lit.** Cluttered or dark areas invite accidents.
2. **Do not operate power tools in explosive atmospheres, such as in the presence of flammable liquids, gases or dust.** Power tools create sparks which may ignite the dust or fumes.
3. **Keep children and bystanders away while operating a power tool.** Distractions can cause you to lose control.

Electrical Safety

1. **Power tool plugs must match the outlet. Never modify the plug in any way. Do not use any adapter plugs with earthed (grounded) power tools.** Unmodified plugs and matching outlets will reduce risk of electric shock.
2. **Avoid body contact with earthed or grounded surfaces, such as pipes, radiators, ranges and**

refrigerators. There is an increased risk of electric shock if your body is earthed or grounded.

3. **Do not expose power tools to rain or wet conditions.** Water entering a power tool will increase the risk of electric shock.
4. **Do not abuse the cord. Never use the cord for carrying, pulling or unplugging the power tool. Keep cord away from heat, oil, sharp edges or moving parts.** Damaged or entangled cords increase the risk of electric shock.
5. **When operating a power tool outdoors, use an extension cord suitable for outdoor use.** Use of a cord suitable for outdoor use reduces the risk of electric shock.
6. **If operating a power tool in a damp location is unavoidable, use a residual current device (RCD) protected supply.** Use of an RCD reduces the risk of electric shock.
7. **Power tools can produce electromagnetic fields (EMF) that are not harmful to the user.** However, users of pacemakers and other similar medical devices should contact the maker of their device and/ or doctor for advice before operating this power tool.

Personal Safety

1. **Stay alert, watch what you are doing and use common sense when operating a power tool. Do not use a power tool while you are tired or under the influence of drugs, alcohol or medication.** A moment of inattention while operating power tools may result in serious personal injury.
2. **Use personal protective equipment. Always wear eye protection.** Protective equipment such as a dust mask, non-skid safety shoes, hard hat or hearing protection used for appropriate conditions will reduce personal injuries.
3. **Prevent unintentional starting. Ensure the switch is in the off-position before connecting to power source and/or battery pack, picking up or carrying the tool.** Carrying power tools with your finger on the switch or energising power tools that have the switch on invites accidents.
4. **Remove any adjusting key or wrench before turning the power tool on.** A wrench or a key left attached to a rotating part of the power tool may result in personal injury.
5. **Do not overreach. Keep proper footing and balance at all times.** This enables better control of the power tool in unexpected situations.
6. **Dress properly. Do not wear loose clothing or jewellery. Keep your hair and clothing away from moving parts.** Loose clothes, jewellery or long hair can be caught in moving parts.
7. **If devices are provided for the connection of dust extraction and collection facilities, ensure these are connected and properly used.** Use of dust collection can reduce dust-related hazards.
8. **Do not let familiarity gained from frequent use of tools allow you to become complacent and ignore tool safety principles.** A careless action can cause severe injury within a fraction of a second.
9. **Always wear protective goggles to protect your eyes from injury when using power tools.** The goggles must comply with ANSI Z87.1 in the USA, EN 166 in Europe, or AS/NZS 1336 in Australia/

New Zealand. In Australia/New Zealand, it is legally required to wear a face shield to protect your face, too. (Fig. 1)

It is an employer's responsibility to enforce the use of appropriate safety protective equipments by the tool operators and by other persons in the immediate working area.

Power tool use and care

1. **Do not force the power tool. Use the correct power tool for your application.** The correct power tool will do the job better and safer at the rate for which it was designed.
2. **Do not use the power tool if the switch does not turn it on and off.** Any power tool that cannot be controlled with the switch is dangerous and must be repaired.
3. **Disconnect the plug from the power source and/or remove the battery pack, if detachable, from the power tool before making any adjustments, changing accessories, or storing power tools.** Such preventive safety measures reduce the risk of starting the power tool accidentally.
4. **Store idle power tools out of the reach of children and do not allow persons unfamiliar with the power tool or these instructions to operate the power tool.** Power tools are dangerous in the hands of untrained users.
5. **Maintain power tools and accessories. Check for misalignment or binding of moving parts, breakage of parts and any other condition that may affect the power tool's operation. If damaged, have the power tool repaired before use.** Many accidents are caused by poorly maintained power tools.
6. **Keep cutting tools sharp and clean.** Properly maintained cutting tools with sharp cutting edges are less likely to bind and are easier to control.
7. **Use the power tool, accessories and tool bits etc. in accordance with these instructions, taking into account the working conditions and the work to be performed.** Use of the power tool for operations different from those intended could result in a hazardous situation.
8. **Keep handles and grasping surfaces dry, clean and free from oil and grease.** Slippery handles and grasping surfaces do not allow for safe handling and control of the tool in unexpected situations.
9. **When using the tool, do not wear cloth work gloves which may be entangled.** The entanglement of cloth work gloves in the moving parts may result in personal injury.

Battery tool use and care

1. **Recharge only with the charger specified by the manufacturer.** A charger that is suitable for one type of battery pack may create a risk of fire when used with another battery pack.
2. **Use power tools only with specifically designated battery packs.** Use of any other battery packs may create a risk of injury and fire.
3. **When battery pack is not in use, keep it away from other metal objects, like paper clips, coins, keys, nails, screws or other small metal objects, that can make a connection from one terminal to**

- another. Shorting the battery terminals together may cause burns or a fire.
4. **Under abusive conditions, liquid may be ejected from the battery; avoid contact. If contact accidentally occurs, flush with water. If liquid contacts eyes, additionally seek medical help.**
Liquid ejected from the battery may cause irritation or burns.
 5. **Do not use a battery pack or tool that is damaged or modified.** Damaged or modified batteries may exhibit unpredictable behaviour resulting in fire, explosion or risk of injury.
 6. **Do not expose a battery pack or tool to fire or excessive temperature.** Exposure to fire or temperature above 130 °C may cause explosion.
 7. **Follow all charging instructions and do not charge the battery pack or tool outside the temperature range specified in the instructions.** Charging improperly or at temperatures outside the specified range may damage the battery and increase the risk of fire.

Service

1. **Have your power tool serviced by a qualified repair person using only identical replacement parts.** This will ensure that the safety of the power tool is maintained.
2. **Never service damaged battery packs.** Service of battery packs should only be performed by the manufacturer or authorized service providers.
3. **Follow instruction for lubricating and changing accessories.**

Cordless reciprocating saw safety warnings

GEB188-1

1. **Hold the power tool by insulated gripping surfaces, when performing an operation where the cutting accessory may contact hidden wiring.** Cutting accessory contacting a "live" wire may make exposed metal parts of the power tool "live" and could give the operator an electric shock.
2. **Use clamps or another practical way to secure and support the workpiece to a stable platform.** Holding the workpiece by hand or against your body leaves it unstable and may lead to loss of control.
3. **Always use safety glasses or goggles.** Ordinary eye or sun glasses are NOT safety glasses.
4. **Avoid cutting nails. Inspect workpiece for any nails and remove them before operation.**
5. **Do not cut oversize workpiece.**
6. **Check for the proper clearance beyond the workpiece before cutting so that the blade will not strike the floor, workbench, etc.**
7. **Hold the tool firmly.**
8. **Make sure the blade is not contacting the workpiece before the switch is turned on.**
9. **Keep hands away from moving parts.**
10. **Do not leave the tool running. Operate the tool only when hand-held.**
11. **Always switch off and wait for the blade to come to a complete stop before removing the blade from the workpiece.**

12. **Do not touch the blade or the workpiece immediately after operation; they may be extremely hot and could burn your skin.**
13. **Do not operate the tool at no-load unnecessarily.**
14. **Always use the correct dust mask/respirator for the material and application you are working with.**
15. **Some material contains chemicals which may be toxic. Take caution to prevent dust inhalation and skin contact. Follow material supplier safety data.**

SAVE THESE INSTRUCTIONS.



WARNING:

DO NOT let comfort or familiarity with product (gained from repeated use) replace strict adherence to safety rules for the subject product. **MISUSE** or failure to follow the safety rules stated in this instruction manual may cause serious personal injury.

IMPORTANT SAFETY INSTRUCTIONS FOR BATTERY CARTRIDGE

ENC009-5

1. **Before using battery cartridge, read all instructions and cautionary markings on (1) battery charger, (2) battery, and (3) product using battery.**
2. **Do not disassemble battery cartridge.**
3. **If operating time has become excessively shorter, stop operating immediately. It may result in a risk of overheating, possible burns and even an explosion.**
4. **If electrolyte gets into your eyes, rinse them out with clear water and seek medical attention right away. It may result in loss of your eyesight.**
5. **Do not short the battery cartridge:**
 - (1) **Do not touch the terminals with any conductive material.**
 - (2) **Avoid storing battery cartridge in a container with other metal objects such as nails, coins, etc.**
 - (3) **Do not expose battery cartridge to water or rain.**

A battery short can cause a large current flow, overheating, possible burns and even a breakdown.

6. **Do not store the tool and battery cartridge in locations where the temperature may reach or exceed 50 °C (122 °F).**
7. **Do not incinerate the battery cartridge even if it is severely damaged or is completely worn out. The battery cartridge can explode in a fire.**
8. **Be careful not to drop or strike battery.**
9. **Do not use a damaged battery.**
10. **The contained lithium-ion batteries are subject to the Dangerous Goods Legislation requirements.**

For commercial transports e.g. by third parties, forwarding agents, special requirement on packaging and labeling must be observed.

For preparation of the item being shipped, consulting an expert for hazardous material is required. Please also observe possibly more detailed national regulations.

Tape or mask off open contacts and pack up the battery in such a manner that it cannot move around in the packaging.

11. **Follow your local regulations relating to disposal of battery.**
12. **Use the batteries only with the products specified by Makita.** Installing the batteries to non-compliant products may result in a fire, excessive heat, explosion, or leak of electrolyte.

SAVE THESE INSTRUCTIONS.

⚠ CAUTION: Only use genuine Makita batteries. Use of non-genuine Makita batteries, or batteries that have been altered, may result in the battery bursting causing fires, personal injury and damage. It will also void the Makita warranty for the Makita tool and charger.

Tips for maintaining maximum battery life

1. **Charge the battery cartridge before completely discharged. Always stop tool operation and charge the battery cartridge when you notice less tool power.**
2. **Never recharge a fully charged battery cartridge. Overcharging shortens the battery service life.**
3. **Charge the battery cartridge with room temperature at 10 °C - 40 °C (50 °F - 104 °F). Let a hot battery cartridge cool down before charging it.**

FUNCTIONAL DESCRIPTION

⚠ CAUTION:

- Always be sure that the tool is switched off and the battery cartridge is removed before adjusting or checking function on the tool.

Installing or removing battery cartridge (Fig. 2)

- Always switch off the tool before installing or removing of the battery cartridge.
- To remove the battery cartridge, withdraw it from the tool while pressing the buttons on both sides of the cartridge.
- To install the battery cartridge, hold it so that the battery cartridge front shape fits to that of the battery installment opening and slip it into place. Always insert it all the way until it locks in place with a little click. If not, it may accidentally fall out of the tool, causing injury to you or someone around you.
- Do not use force when installing the battery cartridge. If the cartridge does not slide in easily, it is not being inserted correctly.

Battery protection system

The tool is equipped with a battery protection system. This system automatically cuts off power to the motor to extend battery life.

The tool will automatically stop during operation if the tool and/or battery are placed under one of the following conditions:

- Overloaded:
The tool is operated in a manner that causes it to draw an abnormally high current. In this situation,

release the trigger switch on the tool and stop the application that caused the tool to become overloaded. Then pull the trigger switch again to restart.

- Low battery voltage:
The remaining battery capacity is too low and the tool will not operate. If you pull the switch trigger, the motor runs again but stops soon. In this situation, remove and recharge the battery.

Switch action (Fig. 3)

⚠ CAUTION:

- Before installing the battery cartridge into the tool, always check to see that the switch lever/trigger actuates properly and returns to the "OFF" position when released.

To prevent the switch lever/trigger from accidentally pulled, the lock-off lever/button are provided.

To start the tool, pull either switch lever or trigger.

- For the switch lever, pull the lock-off lever and then pull the switch lever to start the tool.
- For the switch trigger, depress the lock-off button and then pull the switch trigger to start the tool. The lock-off button can be pressed from either right or left.

The tool speed is increased by increasing pressure on the switch lever/trigger. Release the switch lever/trigger to stop.

NOTICE:

Do not pull the switch lever/trigger hard without pulling the lock-off lever/button. This can cause switch breakage.

Lighting up the front lamp (Fig. 4)

⚠ CAUTION:

- Do not look in the light or see the source of light directly.

Pull the switch lever/trigger to light up the lamp. The lamp keeps on lighting while the switch lever/trigger is being pulled.

ASSEMBLY

⚠ CAUTION:

- Always be sure that the tool is switched off and the battery cartridge is removed before carrying out any work on the tool.

Installing or removing the saw blade

⚠ CAUTION:

- Always clean out all chips or foreign matter adhering to the blade, blade clamp and/or slider. Failure to do so may cause insufficient tightening of the blade, resulting in a serious injury.

For Model JR100D (Fig. 5)

Insert the reciprocating saw blade into the blade clamp as far as it will go. The blade clamp sleeve rotates and the saw blade is fixed. Make sure that the saw blade cannot be extracted even though you try to pull it out.

⚠ CAUTION:

- If you do not insert the saw blade deep enough, the saw blade may be ejected unexpectedly during operation. This can be extremely dangerous.

NOTE:

- You can not use the jig saw blade with JR100D. (Fig. 6)

To remove the saw blade, rotate the blade clamp sleeve in the direction of the arrow fully. The saw blade is removed and the blade clamp sleeve is fixed at the released position.

NOTE:

- If you remove the saw blade without rotating the blade clamp sleeve fully, the sleeve may not be fixed. In this case, rotate the blade clamp sleeve fully, then make the sleeve fixed at the released position.

For Model JR102D

To install the saw blade, loosen the bolt by hex wrench. When installing a recipro saw blade, press the bolt with the hex wrench to open the slot during inserting the blade. (Fig. 7 & 8)

You can use both jig saw blades (B type) and recipro saw blades according to your work. Insert the saw blade straight into the blade clamp and tighten it by hex wrench. Pull the saw blade lightly to make sure that the saw blade does not fall off during operation.

To remove the saw blade, follow the installation procedure in reverse. (Fig. 9 & 10)

Hex wrench storage (Fig. 11)

When not in use, store the hex wrench. It is fixed by two projections as shown in the figure to keep it from being lost.

OPERATION (Fig. 12)**⚠ CAUTION:**

- Always press the shoe firmly against the workpiece during operation. If the shoe is held away from the workpiece during operation, strong vibration and/or twisting will be produced, causing the blade to snap dangerously.
- Always wear gloves to protect your hands from hot flying chips when cutting metal.
- Be sure to always wear suitable eye protection which conforms with current national standards.
- Always use a suitable coolant (cutting oil) when cutting metal. Failure to do so will cause premature blade wear.

Press the shoe firmly against the workpiece. Do not allow the tool to bounce. Bring the saw blade into light contact with the workpiece. First, make a pilot groove using a slower speed. Then use a faster speed to continue cutting. (Fig. 13 & 14)

- You can use the switch lever or trigger according to your work.

NOTE:

- If the tool is operated continuously until the battery cartridge has discharged, allow the tool to rest for 15 minutes before proceeding with a fresh battery.

MAINTENANCE**⚠ CAUTION:**

- Always be sure that the tool is switched off and the battery cartridge is removed before attempting to perform inspection or maintenance.

- Never use gasoline, benzene, thinner, alcohol or the like. Discoloration, deformation or cracks may result. To maintain product SAFETY and RELIABILITY, repairs, any other maintenance or adjustment should be performed by Makita Authorized Service Centers, always using Makita replacement parts.

OPTIONAL ACCESSORIES**⚠ CAUTION:**

- These accessories or attachments are recommended for use with your Makita tool specified in this manual. The use of any other accessories or attachments might present a risk of injury to persons. Only use accessory or attachment for its stated purpose.

If you need any assistance for more details regarding these accessories, ask your local Makita Service Center.

- Recipro saw blades
- Jig saw blades (only for Model JR102D)
- Makita genuine battery and charger
- Plastic carrying case

NOTE:

- Some items in the list may be included in the tool package as standard accessories. They may differ from country to country.

BAHASA INDONESIA (Petunjuk Asli)

Penjelasan tampilan keseluruhan

- | | | |
|----------------------|------------------------------|--|
| 1. Tombol | 8. Bilah gergaji bolak-balik | 15. Lubang untuk bilah gergaji bolak-balik |
| 2. Baterai | 9. Selongsong klem bilah | 16. Klem bilah |
| 3. Tombol kunci-mati | 10. Bilah gergaji | 17. Lubang untuk bilah gergaji ukir |
| 4. Tuas kunci-mati | 11. Kunci hex (segi enam) | 18. Penonjolan |
| 5. Tuas sakelar | 12. Baut | |
| 6. Picu sakelar | 13. Kendurkan | |
| 7. Lampu | 14. Kencangkan | |

SPESIFIKASI

Model	JR100D	JR102D
Panjang langkah	13 mm	
Langkah per menit (men ⁻¹)	0 - 3.300	
Kemampuan pemotongan maks.	Pipa	50 mm
	Kayu	50 mm
Panjang keseluruhan (dengan baterai)	355 mm	
Berat bersih	1,2 kg	1,2 kg
Tegangan yang sesuai	D.C. 10,8 V	

- Karena kesinambungan program penelitian dan pengembangan kami, spesifikasi yang disebutkan di sini dapat berubah tanpa pemberitahuan.
- Spesifikasi dapat berbeda dari satu negara ke negara lainnya.
- Berat, dengan kartrid baterai, menurut Prosedur EPTA 01/2014

Kartrid baterai dan pengisi baterai yang sesuai

Kartrid baterai	BL1013
Pengisi baterai	DC10WA

- Beberapa kartrid baterai dan pengisi baterai yang disebutkan di atas mungkin tidak tersedia tergantung pada kawasan tempat tinggal Anda.

⚠ PERINGATAN:

- **Hanya gunakan kartrid baterai dan pengisi baterai yang disebutkan di atas.** Penggunaan kartrid baterai dan pengisi baterai yang lain dapat menyebabkan cedera/atau kebakaran.

Simbol-simbol

END004-7

Berikut ini adalah simbol-simbol yang digunakan pada alat ini. Pastikan Anda mengerti makna masing-masing simbol sebelum menggunakan alat ini.



... Baca petunjuk penggunaan.

Maksud penggunaan

ENE020-1

Alat ini dimaksudkan untuk menggergaji kayu, plastik, dan bahan mengandung besi.

PERINGATAN KESELAMATAN UMUM MESIN LISTRIK

GEA013-2

⚠ **PERINGATAN:** Bacalah semua peringatan keselamatan, petunjuk, ilustrasi dan spesifikasi yang disertakan bersama mesin listrik ini. Kelalaian untuk mematuhi semua petunjuk yang tercantum di bawah

ini dapat menyebabkan sengatan listrik, kebakaran dan/atau cedera serius.

Simpanlah semua peringatan dan petunjuk untuk acuan di masa depan.

Istilah "mesin listrik" dalam semua peringatan mengacu pada mesin listrik yang dijalankan dengan sumber listrik jala-jala (berkabel) atau baterai (tanpa kabel).

Keselamatan tempat kerja

1. **Jaga tempat kerja selalu bersih dan berpenerangan cukup.** Tempat kerja yang berantakan dan gelap mengundang kecelakaan.
2. **Jangan gunakan mesin listrik dalam lingkungan yang mudah meledak, misalnya jika ada cairan, gas, atau debu yang mudah menyala.** Mesin listrik menimbulkan bunga api yang dapat menyalakan debu atau uap tersebut.
3. **Jauhkan anak-anak dan orang lain saat menggunakan mesin listrik.** Bila perhatian terpecah, anda dapat kehilangan kendali.

Keamanan Kelistrikan

1. **Steker mesin listrik harus cocok dengan stopkontak. Jangan sekali-kali mengubah steker dengan cara apa pun. Jangan menggunakan steker adaptor dengan mesin listrik terbumi (dibumikan).** Steker yang tidak diubah dan stopkontak yang cocok akan mengurangi risiko sengatan listrik.
2. **Hindari sentuhan tubuh dengan permukaan terbumi atau yang dibumikan seperti pipa, radiator, kompor, dan kulkas.** Risiko sengatan listrik bertambah jika tubuh Anda terbumikan atau dibumikan.
3. **Jangan membiarkan mesin listrik kehujaan atau kebasahan.** Air yang masuk ke dalam mesin listrik akan meningkatkan risiko sengatan listrik.
4. **Jangan menyalahgunakan kabel. Jangan sekali-kali menggunakan kabel untuk membawa, menarik, atau mencabut mesin listrik dari stopkontak. Jauhkan kabel dari panas, minyak, tepian tajam, atau bagian yang bergerak.** Kabel yang rusak atau kusut memperbesar risiko sengatan listrik.
5. **Bila menggunakan mesin listrik di luar ruangan, gunakan kabel ekstensi yang sesuai untuk penggunaan di luar ruangan.** Penggunaan kabel yang sesuai untuk penggunaan luar ruangan mengurangi risiko sengatan listrik.
6. **Jika mengoperasikan mesin listrik di lokasi lembap tidak terhindarkan, gunakan pasokan daya yang dilindungi peranti imbasan arus (residual current device - RCD).** Penggunaan RCD mengurangi risiko sengatan listrik.
7. **Mesin listrik dapat menghasilkan medan magnet (EMF) yang tidak berbahaya bagi pengguna.** Namun, pengguna alat pacu jantung atau peralatan medis sejenisnya harus berkonsultasi dengan produsen peralatan tersebut dan/atau dokter mereka sebelum mengoperasikan mesin listrik ini.

Keselamatan Diri

1. **Jaga kewaspadaan, perhatikan pekerjaan Anda dan gunakan akal sehat bila menggunakan mesin listrik. Jangan menggunakan mesin listrik saat Anda lelah atau di bawah pengaruh obat bius, alkohol, atau obat.** Sekejaap saja lalai saat menggunakan mesin listrik dapat menyebabkan cedera badan serius.
2. **Gunakan alat pelindung diri. Selalu gunakan pelindung mata.** Peralatan pelindung seperti masker debu, sepatu pengaman anti-selip, helm pengaman, atau pelindung telinga yang digunakan untuk kondisi yang sesuai akan mengurangi risiko cedera badan.
3. **Cegah penyalaaan yang tidak disengaja. Pastikan bahwa sakelar berada dalam posisi mati (off) sebelum menghubungkan mesin ke sumber daya dan/atau paket baterai, atau mengangkat atau membawanya.** Membawa mesin listrik dengan jari Anda pada sakelarnya atau mengalirkan listrik pada mesin listrik yang sakelarnya hidup (on) akan mengundang kecelakaan.
4. **Lepaskan kunci-kunci penyetel sebelum menghidupkan mesin listrik.** Kunci-kunci yang masih terpasang pada bagian mesin listrik yang berputar dapat menyebabkan cedera.

5. **Jangan meraih terlalu jauh. Jagalah pijakan dan keseimbangan sepanjang waktu.** Hal ini memungkinkan kendali yang lebih baik atas mesin listrik dalam situasi yang tidak diharapkan.
6. **Kenakan pakaian yang memadai. Jangan memakai pakaian yang longgar atau perhiasan. Jaga jarak antara rambut dan pakaian Anda dengan komponen mesin yang bergerak.** Pakaian yang longgar, perhiasan, atau rambut yang panjang dapat tersangkut pada komponen yang bergerak.
7. **Jika tersedia fasilitas untuk menghisap dan mengumpulkan debu, pastikan fasilitas tersebut terhubung listrik dan digunakan dengan baik.** Penggunaan pembersih debu dapat mengurangi bahaya yang terkait dengan debu.
8. **Jangan sampai Anda lengah dan mengabaikan prinsip keselamatan mesin ini hanya karena sudah sering mengoperasikannya dan sudah merasa terbiasa.** Tindakan yang lalai dapat menyebabkan cedera berat dalam sepersekian detik saja.
9. **Selalu kenakan kacamata pelindung untuk melindungi mata dari cedera saat menggunakan mesin listrik. Kacamata harus sesuai dengan ANSI Z87.1 di Amerika Serikat, EN 166 di Eropa, atau AS/NZS 1336 di Australia/Selandia Baru. Di Australia/Selandia Baru, secara hukum Anda juga diwajibkan mengenakan pelindung wajah untuk melindungi wajah Anda. (Gb. 1)** Menjadi tanggung jawab atas an untuk menerapkan penggunaan alat pelindung keselamatan yang tepat bagi operator mesin dan orang lain yang berada di area kerja saat itu.

Penggunaan dan pemeliharaan mesin listrik

1. **Jangan memaka mesin listrik. Gunakan mesin listrik yang tepat untuk keperluan Anda.** Mesin listrik yang tepat akan menuntaskan pekerjaan dengan lebih baik dan aman pada kecepatan sesuai rancangannya.
2. **Jangan gunakan mesin listrik jika sakelar tidak dapat menyalakan dan mematikannya.** Mesin listrik yang tidak dapat dikendalikan dengan sakelarnya adalah berbahaya dan harus diperbaiki.
3. **Cabut steker dari sumber listrik dan/atau lepas paket baterai, jika dapat dilepas, dari mesin listrik sebelum melakukan penyetelan apa pun, mengganti aksesoris, atau menyimpan mesin listrik.** Langkah keselamatan preventif tersebut mengurangi risiko hidupnya mesin secara tak sengaja.
4. **Simpan mesin listrik jauh dari jangkauan anak-anak dan jangan biarkan orang yang tidak paham mengenai mesin listrik tersebut atau petunjuk ini menggunakan mesin listrik.** Mesin listrik sangat berbahaya di tangan pengguna yang tak terlatih.
5. **Rawatlah mesin listrik dan aksesoris. Periksa apakah ada komponen bergerak yang tidak lurus atau macet, komponen yang pecah, dan kondisi-kondisi lain yang dapat memengaruhi pengoperasian mesin listrik. Jika rusak, perbaiki mesin listrik terlebih dahulu sebelum digunakan.** Banyak kecelakaan disebabkan oleh kurangnya pemeliharaan mesin listrik.

6. **Jaga agar mesin pemotong tetap tajam dan bersih.** Mesin pemotong yang terawat baik dengan mata pemotong yang tajam tidak mudah macet dan lebih mudah dikendalikan.
7. **Gunakan mesin listrik, aksesoris, dan mata mesin, dll. sesuai dengan petunjuk ini, dengan memperhitungkan kondisi kerja dan jenis pekerjaan yang dilakukan.** Penggunaan mesin listrik untuk penggunaan yang lain dari peruntukan dapat menimbulkan situasi berbahaya.
8. **Jagalah agar gagang dan permukaan pegangan tetap kering, bersih, dan bebas dari minyak dan pelumas.** Gagang dan permukaan pegangan yang licin tidak mendukung keamanan penanganan dan pengendalian mesin dalam situasi-situasi tak terduga.
9. **Ketika menggunakan mesin, jangan menggunakan sarung tangan kain yang dapat tersangkut.** Sarung tangan kain yang tersangkut pada komponen bergerak dapat mengakibatkan cedera pada pengguna.

Penggunaan dan pemeliharaan mesin bertenaga baterai

1. **Isi ulang baterai hanya dengan pengisi daya yang ditentukan oleh pabrik.** Pengisi daya yang cocok untuk satu jenis paket baterai dapat menimbulkan risiko kebakaran ketika digunakan untuk paket baterai yang lain.
2. **Gunakan mesin listrik hanya dengan paket baterai yang telah ditentukan secara khusus.** Penggunaan paket baterai lain dapat menimbulkan risiko cedera dan kebakaran.
3. **Ketika paket baterai tidak digunakan, jauhkan dari benda logam lain, seperti penjepit kertas, uang logam, kunci, paku, sekrup atau benda logam kecil lainnya, yang dapat menghubungkan satu terminal ke terminal lain.** Hubungan singkat terminal baterai dapat menyebabkan luka bakar atau kebakaran.
4. **Pemakaian yang salah, dapat menyebabkan keluarnya cairan dari baterai; hindari kontak.** Jika terjadi kontak secara tidak sengaja, bilas dengan air. Jika cairan mengenai mata, cari bantuan medis. Cairan yang keluar dari baterai bisa menyebabkan iritasi atau luka bakar.
5. **Jangan menggunakan paket baterai atau mesin yang sudah rusak atau telah diubah.** Baterai yang rusak atau telah diubah dapat menyebabkan hal-hal yang tidak dapat diprediksi yang dapat menyebabkan kebakaran, ledakan atau risiko cedera.
6. **Jangan membiarkan paket baterai atau mesin dekat dengan api atau suhu yang berlebihan.** Pajanan api atau suhu di atas 130 °C dapat menyebabkan ledakan.
7. **Ikuti semua petunjuk pengisian daya dan jangan mengisi daya paket baterai atau mesin di luar rentang suhu yang ditentukan di panduan.** Mengisi daya secara tidak tepat atau pada suhu di luar rentang yang ditentukan dapat merusak baterai dan meningkatkan risiko kebakaran.

Servis

1. **Berikan mesin listrik untuk diperbaiki hanya kepada oleh teknisi yang berkualifikasi dengan menggunakan hanya suku cadang pengganti yang**

serupa. Hal ini akan menjamin terjaganya keamanan mesin listrik.

2. **Jangan pernah memperbaiki paket baterai yang sudah rusak.** Perbaikan paket baterai harus dilakukan hanya oleh produsen atau penyedia servis resmi.
3. **Patuhi petunjuk pelumasan dan penggantian aksesoris.**

Peringatan keselamatan gergaji bolak-balik nirkabel

GEB188-1

1. **Pegang mesin listrik pada permukaan genggam yang terisolasi saat melakukan pekerjaan bila aksesoris pemotong mungkin bersentuhan dengan kawat tersembunyi.** Aksesoris pemotong yang menyentuh kawat "hidup" dapat menyebabkan bagian logam pada mesin teraliri arus listrik dan menyengat pengguna.
2. **Gunakan klem atau cara praktis lainnya untuk mengikat dan menahan benda kerja pada posisi yang stabil.** Menahan benda kerja dengan tangan atau berada pada posisi berlawanan dengan badan Anda membuat benda kerja tidak stabil dan dapat menyebabkan kehilangan kendali.
3. **Selalu gunakan kaca mata pengaman atau kaca mata pelindung.** Kaca mata biasa atau kaca mata hitam BUKANLAH kaca mata pengaman.
4. **Hindari memotong paku.** Periksa apakah terdapat paku di benda kerja dan buang semua paku sebelum pengoperasian.
5. **Jangan memotong benda kerja terlalu besar.**
6. **Periksa apakah jarak di luar benda kerja sudah tepat sebelum memotong sehingga mata pisau tidak akan menabrak lantai, meja kerja, dll.**
7. **Pegang mesin kuat-kuat.**
8. **Pastikan bahwa mata pisau tidak menyentuh benda kerja sebelum sakelar dinyalakan.**
9. **Jauhkan tangan dari bagian yang berputar.**
10. **Jangan tinggalkan mesin dalam keadaan hidup.** Jalankan mesin hanya ketika digenggam tangan.
11. **Selalu matikan dan tunggu sampai mata pisau benar-benar berhenti sebelum melepas mata pisau dari benda kerja.**
12. **Jangan menyentuh mata pisau atau benda kerja segera setelah pengoperasian; suhunya mungkin masih sangat panas dan dapat membakar kulit Anda.**
13. **Jangan mengoperasikan mesin tanpa beban dengan tanpa keperluan.**
14. **Selalu gunakan masker debu/alat pernafasan yang tepat sesuai bahan dan pekerjaan yang sedang Anda kerjakan.**
15. **Bahan tertentu mengandung zat kimia yang mungkin beracun.** Hindari menghirup debu dan persentuhan dengan kulit. Ikuti data keselamatan bahan dari pemasok.

SIMPAN PETUNJUK INI.



PERINGATAN:

JANGAN biarkan kenyamanan atau kebiasaannya Anda dengan produk (karena penggunaan berulang) mengurangi kepatuhan yang ketat terhadap aturan

keselamatan untuk produk yang terkait.
PENYALAHGUNAAN atau kelalaian mematuhi kaidah keselamatan yang tertera dalam petunjuk ini dapat menyebabkan cedera badan serius.

PETUNJUK KESELAMATAN PENTING UNTUK KARTRID BATERAI

ENC009-5

1. Sebelum menggunakan kartrid baterai, bacalah semua petunjuk dan penandaan pada (1) pengisi daya baterai, (2) baterai, dan (3) produk yang menggunakan baterai.
2. Jangan membongkar kartrid baterai.
3. Jika waktu beroperasinya menjadi sangat singkat, segera hentikan penggunaan. Hal tersebut dapat menimbulkan risiko panas berlebih, kemungkinan mengalami luka bakar atau bahkan terjadi ledakan.
4. Jika elektrolit mengenai mata Anda, basuh dengan air bersih dan segera cari pertolongan medis. Hal tersebut dapat mengakibatkan hilangnya kemampuan penglihatan Anda.
5. Jangan menghubungkan terminal kartrid baterai:
 - (1) Jangan menyentuh terminal dengan bahan penghantar listrik apa pun.
 - (2) Hindari menyimpan kartrid baterai pada wadah yang berisi benda logam lain seperti paku, uang logam, dsb.
 - (3) Jangan membiarkan baterai terkena air atau kehujanan.

Hubungan singkat baterai dapat menyebabkan aliran arus listrik yang besar, panas berlebih, kemungkinan mengalami luka bakar dan bahkan kerusakan pada baterai.

6. Jangan menyimpan mesin dan kartrid baterai pada lokasi dengan suhu yang bisa mencapai atau melebihi 50 °C.
7. Jangan membuang kartrid baterai di tempat pembakaran sampah walaupun benar-benar rusak atau tidak bisa digunakan sama sekali. Kartrid baterai bisa meledak jika terbakar.
8. Berhati-hatilah jangan sampai baterai jatuh atau terbentur.
9. Jangan menggunakan baterai yang rusak.
10. Baterai litium-ion yang disertakan sesuai dengan persyaratan Perundangan Makanan Berbahaya. Harus ada pengawasan untuk pengangkutan komersial misalnya oleh pihak ketiga, ekspeditor, persyaratan khusus terhadap pengemasan dan pelabelan. Diperlukan adanya konsultasi dengan ahli mengenai material berbahaya untuk persiapan barang yang akan dikirimkan. Perhatikan pula peraturan nasional yang lebih terperinci yang mungkin ada. Beri perekat atau tutupi bagian yang terbuka dan kemasi baterai dengan cara yang tidak akan menimbulkan pergeseran dalam pengemasan.
11. Patuhi peraturan setempat yang berkaitan dengan pembuangan baterai.
12. Gunakan baterai hanya dengan produk yang ditentukan oleh Makita. Memasang baterai pada produk yang tidak sesuai dapat menyebabkan

kebakaran, kelebihan panas, ledakan, atau kebocoran elektrolit.

SIMPAN PETUNJUK INI.

⚠ PERHATIAN: Gunakan baterai asli Makita. Penggunaan baterai Makita yang tidak asli, atau baterai yang sudah diubah, akan mengakibatkan baterai mudah terbakar, cedera dan kerusakan. Akan menghilangkan garansi Makita pada pengisi daya dan alat Makita.

Tip untuk menjaga agar umur pemakaian baterai maksimum

1. Isi ulang kartrid baterai sebelum habis sama sekali. Selalu hentikan penggunaan mesin dan ganti kartrid baterai jika Anda melihat bahwa mesin kurang tenaga.
2. Jangan pernah mengisi ulang kartrid baterai yang sudah diisi penuh. Pengisian ulang yang berlebih memperpendek umur pemakaian baterai.
3. Isi ulang kartrid baterai pada suhu ruangan 10 °C - 40 °C. Biarkan kartrid baterai yang panas menjadi dingin terlebih dahulu sebelum diisi ulang.

DESKRIPSI FUNGSI

⚠ PERHATIAN:

- Selalu pastikan bahwa alat dalam keadaan mati dan kartrid baterainya telah dilepas sebelum menyetel atau memeriksa fungsi alat.

Memasang atau melepas kartrid baterai (Gb. 2)

- Selalu matikan alat sebelum memasang atau melepas kartrid baterainya.
- Untuk mengeluarkan kartrid baterai, tariklah dari alat sambil menekan tombol-tombol pada kedua sisi kartrid.
- Untuk memasang kartrid baterai, pegang dan pasangkan bagian depan kartrid baterai dengan lubang pemasangan baterai dan doronglah masuk ke tempatnya. Selalu masukkan kartrid sepenuhnya sampai terkunci di tempatnya yang ditandai dengan suara klik. Jika tidak, komponen ini dapat terlepas dan jatuh dari alat, sehingga menyebabkan cedera pada Anda atau orang lain di sekitar Anda.
- Jangan mendorong paksa kartrid baterai saat memasangnya. Jika kartrid tidak dapat terdorong masuk dengan mudah, berarti posisi memasukkannya belum tepat.

Sistem perlindungan baterai

Alat ini dilengkapi dengan sistem perlindungan baterai. Sistem ini secara otomatis memutus aliran daya ke motor untuk memperpanjang usia pakai baterai.

Alat akan secara otomatis berhenti beroperasi jika alat dan/atau baterainya berada dalam salah satu keadaan berikut ini:

- Kelebihan beban:
Alat dioperasikan dengan cara yang membuatnya menyedot arus yang luar biasa besar. Dalam keadaan ini, lepaskan sakelar picu alat dan hentikan pemakaian yang menyebabkan alat kelebihan

beban. Kemudian tarik sakelar picu lagi untuk menjalankan alat kembali.

- Tegangan baterai rendah:
Kapasitas baterai yang tersisa terlalu sedikit dan alat tidak mau beroperasi. Jika Anda menarik picu sakelar, motor berjalan lagi tetapi segera mati. Dalam keadaan ini, lepaskan dan isi kembali (cas) baterai.

Gerakan sakelar (Gb. 3)

⚠ PERHATIAN:

- Sebelum memasang kartrid baterai ke dalam alat, selalu pastikan bahwa tuas/picu sakelar bekerja dengan baik dan kembali ke posisi "OFF" saat dilepaskan.

Untuk mencegah tuas/picu sakelar tertarik secara tidak disengaja, disediakan tuas/tombol kunci-mati.

Untuk menyalakan alat, tarik tuas atau picu sakelarnya.

- Untuk tuas sakelar, tarik tuas kunci-mati dan kemudian tarik tuas sakelar untuk menghidupkan alat.
- Untuk picu sakelar, tekan tombol kunci-mati dan kemudian tarik picu sakelar untuk menghidupkan alat. Tombol kunci-mati dapat ditekan dari sisi kanan atau sisi kiri.

Kecepatan alat akan meningkat sejalan dengan semakin kerasnya tuas/picu sakelar ditekan. Lepaskan tuas/picu sakelar untuk menghentikannya.

PEMBERITAHUAN:

Jangan menarik tuas/picu sakelar kuat-kuat tanpa menarik tuas/tombol kunci-mati. Ini dapat menyebabkan sakelar rusak.

Menyalakan lampu depan (Gb. 4)

⚠ PERHATIAN:

- Jangan memandang ke arah lampu atau menatap sumber cahaya secara langsung.

Tarik tuas/picu sakelar untuk menyalakan lampu. Lampu akan terus menyala selama tuas/picu sakelar ditarik.

PERAKITAN

⚠ PERHATIAN:

- Selalu pastikan bahwa mesin dalam keadaan mati dan kartrid baterainya dilepas sebelum melakukan pekerjaan apa pun pada mesin.

Memasang atau melepas bilah gergaji

⚠ PERHATIAN:

- Selalu bersihkan semua serpihan atau benda asing yang menempel pada bilah, klem bilah, dan/atau penggeser. Kelalaian untuk melakukan ini dapat menyebabkan bilah terpasang kurang kencang, sehingga mengakibatkan cedera serius.

Untuk Model JR100D (Gb. 5)

Masukkan bilah gergaji bolak-balik ke dalam klem bilah sejauh dapat masuk. Selongsong klem bilah berputar dan bilah gergaji terkunci. Pastikan bahwa bilah gergaji tidak dapat terlepas meskipun Anda mencoba menariknya keluar.

⚠ PERHATIAN:

- Jika Anda tidak memasukkan bilah gergaji cukup dalam, bilah gergaji dapat terdorong keluar secara tak

terduga saat digunakan. Kondisi ini dapat sangat berbahaya.

CATATAN:

- Anda tidak dapat menggunakan bilah gergaji ukir dengan JR100D. (Gb. 6)

Untuk melepas bilah gergaji, putar selongsong klem bilah sesuai arah tanda panah sepenuhnya. Bilah gergaji terlepas dan selongsong klem bilah terkunci pada posisi terlepas.

CATATAN:

- Jika Anda melepas bilah gergaji tanpa memutar selongsong klem bilah sepenuhnya, selongsong dapat tidak terkunci. Dalam kondisi demikian, putar selongsong klem bilah sepenuhnya, kemudian buat selongsong terkunci pada posisi terlepas.

Untuk Model JR102D

Untuk memasang bilah gergaji, kendurkan bautnya dengan kunci hex. Ketika memasang bilah gergaji bolak-balik, tekan baut tersebut dengan kunci hex untuk membuka slot saat memasukkan bilah. (Gb. 7 & 8) Anda dapat menggunakan bilah gergaji ukir (tipe B) maupun bilah gergaji bolak-balik, sesuai dengan pekerjaan yang dilakukan. Masukkan bilah gergaji lurus ke dalam klem bilah dan kencangkan dengan kunci hex. Tarik bilah gergaji perlahan saja untuk memastikan bahwa bilah tidak akan terjatuh lepas saat alat digunakan. Untuk melepas bilah gergaji, ikuti prosedur pemasangan secara terbalik. (Gb. 9 & 10)

Penyimpanan kunci hex (Gb. 11)

Bila tidak sedang digunakan, simpanlah kunci hex. Kunci hex ini ditahan oleh dua penonjolan seperti terlihat dalam gambar agar tidak hilang.

PENGOPERASIAN (Gb. 12)

⚠ PERHATIAN:

- Selalu tekankan sepatu alat kuat-kuat pada benda kerja selama mengoperasikan. Jika sepatu ditahan tidak menempel pada benda kerja selama dioperasikan, getaran yang kuat dan/atau pemutiran akan terjadi, sehingga menyebabkan bilah mencelat dan menimbulkan bahaya.
- Selalu kenakan sarung tangan untuk melindungi tangan Anda dari serpihan panas yang beterbangan saat memotong logam.
- Pastikan untuk selalu mengenakan pelindung mata yang sesuai yang memenuhi standar nasional yang berlaku.
- Selalu gunakan cairan pendingin yang sesuai (minyak pemotongan) saat memotong logam. Kelalaian untuk melakukan ini akan menyebabkan keausan bilah secara dini.

Tekan sepatu kuat-kuat pada benda kerja. Jangan biarkan alat memantul. Tempelkan bilah gergaji sedikit saja dulu pada benda kerja. Pertama, buatlah alur rintisan menggunakan kecepatan rendah. Kemudian gunakan kecepatan yang lebih tinggi untuk meneruskan pemotongan. (Gb. 13 & 14)

- Anda dapat menggunakan tuas atau picu sakelar sesuai dengan pekerjaan Anda.

CATATAN:

- Jika alat digunakan secara terus-menerus sampai kartrid baterainya habis, istirahatkan alat selama 15 menit sebelum melanjutkan penggunaan dengan baterai baru.

PERAWATAN**⚠ PERHATIAN:**

- Selalu pastikan bahwa alat dalam keadaan mati dan kartrid baterainya dilepas sebelum mencoba melakukan pemeriksaan atau perawatan.
- Jangan sekali-kali menggunakan bensin, tiner, alkohol, atau bahan sejenisnya. Penggunaan bahan demikian dapat menyebabkan perubahan warna dan bentuk serta timbulnya retakan.

Untuk menjaga KEAMANAN dan KEHANDALAN, perbaikan, perawatan lain, atau penyetelan harus dilakukan oleh Pusat Servis Resmi Makita dan gunakan selalu suku cadang Makita.

AKSESORI TAMBAHAN**⚠ PERHATIAN:**

- Aksesori atau alat tambahan ini dianjurkan untuk digunakan dengan alat Makita milik Anda yang disebutkan dalam buku petunjuk ini. Penggunaan aksesori atau alat tambahan lain dapat menimbulkan risiko cedera pada orang. Gunakan aksesori atau alat tambahan sesuai kegunaannya.

Jika Anda membutuhkan bantuan perihal informasi lebih terperinci mengenai aksesori-aksesori ini, tanyakan kepada Pusat Servis Makita setempat.

- Bilah gergaji bolak-balik
- Bilah gergaji ukir (hanya untuk Model JR102D)
- Baterai dan pengisi baterai asli Makita
- Kotak plastik pembawa

CATATAN:

- Beberapa artikel dalam daftar dapat disertakan dalam kemasan mesin sebagai aksesori standar. Kelengkapan ini dapat berbeda dari satu negara ke negara lainnya.

TIẾNG VIỆT (Hướng dẫn Gốc)

Giải thích về hình vẽ tổng thể

- | | | |
|--------------------------|---------------------|--------------------------|
| 1. Nút | 7. Đèn | 13. Nới lỏng |
| 2. Pin | 8. Lưỡi cưa kiểm | 14. Siết chặt |
| 3. Nút khoá | 9. Ống kẹp lưỡi cưa | 15. Lỗ lắp lưỡi cưa kiểm |
| 4. Lẫy khoá | 10. Lưỡi cưa | 16. Kẹp lưỡi cưa |
| 5. Cần công tắc | 11. Cờ lê sáu cạnh | 17. Lỗ lắp lưỡi cưa lọng |
| 6. Bộ khởi động công tắc | 12. Bu-lông | 18. Vấu lỗi |

THÔNG SỐ KỸ THUẬT

Kiểu máy	JR100D	JR102D
Chiều dài hành trình	13 mm	
Số nhát cắt trên một phút (min ⁻¹)	0 - 3.300	
Công suất cắt tối đa	Ống	50 mm
	Gỗ	50 mm
Tổng chiều dài (có pin)	355 mm	
Trọng lượng tịnh	1,2 kg	1,2 kg
Điện áp định mức	Dòng một chiều: 10,8 V	

- Do chương trình nghiên cứu và phát triển liên tục của chúng tôi nên các thông số kỹ thuật dưới đây có thể thay đổi mà không cần thông báo.
- Các thông số kỹ thuật ở mỗi quốc gia có thể khác nhau.
- Trọng lượng, có hộp pin, theo quy định EPTA-Procedure 01/2014

Hộp pin và bộ sạc pin có thể dùng được

Hộp pin	BL1013
Bộ sạc pin	DC10WA

- Một số hộp pin và bộ sạc pin nêu trên có thể không dùng được tùy theo khu vực cư trú của bạn.

CẢNH BÁO:

- Chỉ sử dụng hộp pin và bộ sạc pin có tên trong danh sách nêu trên. Sử dụng hộp pin hoặc bộ sạc pin khác có thể gây thương tích và/hoặc cháy nổ.

Ký hiệu

ENE004-7

Phần dưới đây cho biết các ký hiệu được dùng cho thiết bị. Đảm bảo rằng bạn hiểu ý nghĩa của các ký hiệu này trước khi sử dụng.



... Đọc tài liệu hướng dẫn.


Mục đích sử dụng

ENE020-1

Dụng cụ được sử dụng để cưa gỗ, nhựa và vật liệu chứa sắt.

Cảnh báo an toàn chung dành cho dụng cụ máy

GEA013-2

 **CẢNH BÁO:** Xin đọc tất cả các cảnh báo an toàn, hướng dẫn, minh họa và thông số kỹ thuật đi kèm với dụng cụ máy này. Việc không tuân theo các hướng dẫn được liệt kê dưới đây có thể dẫn đến điện giật, hỏa hoạn và/hoặc thương tích nghiêm trọng.

Lưu giữ tất cả cảnh báo và hướng dẫn để tham khảo sau này.

Thuật ngữ “dụng cụ máy” trong các cảnh báo để cập đến dụng cụ máy (có dây) được vận hành bằng nguồn điện chính hoặc dụng cụ máy (không dây) được vận hành bằng pin của bạn.

An toàn tại nơi làm việc

- Giữ nơi làm việc sạch sẽ và có đủ ánh sáng.** Nơi làm việc bừa bộn hoặc tối thường dễ gây ra tai nạn.
- Không vận hành dụng cụ máy trong môi trường cháy nổ, ví dụ như môi trường có sự hiện diện của các chất lỏng, khí hoặc bụi dễ cháy.** Các dụng cụ máy tạo tia lửa điện có thể làm bụi hoặc khí bốc cháy.
- Giữ trẻ em và người ngoài tránh xa nơi làm việc khi đang vận hành dụng cụ máy.** Sự xao lãng có thể khiến bạn mất khả năng kiểm soát.

An toàn về Điện

- Phích cắm của dụng cụ máy phải khớp với ổ cắm.** Không được sửa đổi phích cắm theo bất kỳ cách nào. Không sử dụng bất kỳ phích chuyển đổi nào với các dụng cụ máy được nối đất (tiếp

- đất**). Các phích cắm còn nguyên vẹn và ổ cắm phù hợp sẽ giảm nguy cơ điện giật.
- Tránh để cơ thể tiếp xúc với các bề mặt nổi đất hoặc tiếp đất như đường ống, bộ tản nhiệt, bếp ga và tủ lạnh.** Nguy cơ bị điện giật sẽ tăng lên nếu cơ thể bạn được nối đất hoặc tiếp đất.
 - Không để dụng cụ máy tiếp xúc với mưa hoặc trong điều kiện ẩm ướt.** Nước lọt vào dụng cụ máy sẽ làm tăng nguy cơ điện giật.
 - Không lạm dụng dây điện.** Không được phép sử dụng dây để mang, kéo hoặc tháo phích cắm dụng cụ máy. Giữ dây tránh xa nguồn nhiệt, dầu, các mép sắc hoặc các bộ phận chuyển động. Dây bị hỏng hoặc bị rối sẽ làm tăng nguy cơ điện giật.
 - Khi vận hành dụng cụ máy ngoài trời, hãy sử dụng dây kéo dài phù hợp cho việc sử dụng ngoài trời.** Việc dùng dây phù hợp cho việc sử dụng ngoài trời sẽ giảm nguy cơ điện giật.
 - Nếu bắt buộc phải vận hành dụng cụ máy ở nơi ẩm ướt, hãy sử dụng nguồn cấp điện được bảo vệ bằng thiết bị ngắt dòng điện rò (RCD).** Việc sử dụng RCD sẽ làm giảm nguy cơ điện giật.
 - Các dụng cụ máy có thể tạo ra từ trường điện (EMF) có hại cho người dùng.** Tuy nhiên, người dùng máy trợ tim và những thiết bị y tế tương tự khác nên liên hệ với nhà sản xuất thiết bị và/hoặc bác sĩ để được tư vấn trước khi vận hành dụng cụ máy.

An toàn Cá nhân

- Luôn tỉnh táo, quan sát những việc bạn đang làm và sử dụng những phán đoán theo kinh nghiệm khi vận hành dụng cụ máy.** Không sử dụng dụng cụ máy khi bạn đang mệt mỏi hoặc chịu ảnh hưởng của ma túy, rượu hay thuốc. Chỉ một khoảnh khắc không tập trung khi đang vận hành dụng cụ máy cũng có thể dẫn đến thương tích cá nhân nghiêm trọng.
- Sử dụng thiết bị bảo hộ cá nhân.** Luôn đeo thiết bị bảo vệ mắt. Các thiết bị bị bảo hộ như mặt nạ chống bụi, giày an toàn chống trượt, mũ bảo hộ hay thiết bị bảo vệ thính giác được sử dụng trong các điều kiện thích hợp sẽ giúp giảm thương tích cá nhân.
- Tránh vô tình khởi động dụng cụ máy.** Đảm bảo công tắc ở vị trí off (tắt) trước khi nối nguồn điện và/hoặc bộ pin, cắm hoặc di chuyển dụng cụ máy. Việc di chuyển dụng cụ máy khi đang đặt ngón tay ở vị trí công tắc hoặc cấp điện cho dụng cụ máy đang bật thường dễ gây ra tai nạn.
- Tháo tất cả các khóa hoặc cờ lê điều chỉnh trước khi bật dụng cụ máy.** Việc cờ lê hoặc khóa vẫn còn gắn vào bộ phận quay của dụng cụ máy có thể dẫn đến thương tích cá nhân.
- Không với quá cao.** Luôn giữ thăng bằng tốt và có chỗ để chân phù hợp. Điều này cho phép điều khiển dụng cụ máy tốt hơn trong những tình huống bất ngờ.
- Ăn mặc phù hợp.** Không mặc quần áo rộng hay đeo đồ trang sức. Giữ tóc và quần áo tránh xa các bộ phận chuyển động. Quần áo rộng, đồ trang sức hay tóc dài có thể mắc vào các bộ phận chuyển động.

- Nếu các thiết bị được cung cấp để kết nối các thiết bị thu gom và hút bụi, hãy đảm bảo chúng được kết nối và sử dụng hợp lý.** Việc sử dụng thiết bị thu gom bụi có thể làm giảm những mối nguy hiểm liên quan đến bụi.
- Không vì quen thuộc do thường xuyên sử dụng các dụng cụ mà cho phép bạn trở nên tự mãn và bỏ qua các nguyên tắc an toàn dụng cụ.** Một hành động bất cẩn có thể gây ra thương tích nghiêm trọng trong một phần của một giây.
- Luôn luôn mang kính bảo hộ để bảo vệ mắt khỏi bị thương khi đang sử dụng các dụng cụ máy.** Kính bảo hộ phải tuân thủ ANSI Z87.1 ở Mỹ, EN 166 ở Châu Âu, hoặc AS/NZS 1336 ở Úc/ New Zealand. Tại Úc/New Zealand, theo luật pháp, bạn cũng phải mang mặt nạ che mặt để bảo vệ mặt. (Hình 1)
Trách nhiệm của chủ lao động là bắt buộc người vận hành dụng cụ và những người khác trong khu vực làm việc cạnh đó phải sử dụng các thiết bị bảo hộ an toàn thích hợp.

Sử dụng và bảo quản dụng cụ máy

- Không dùng lực đối với dụng cụ máy.** Sử dụng đúng dụng cụ máy cho công việc của bạn. Sử dụng đúng dụng cụ máy sẽ giúp thực hiện công việc tốt hơn và an toàn hơn theo giá trị định mức được thiết kế của dụng cụ máy đó.
- Không sử dụng dụng cụ máy nếu công tắc không bật và tắt được dụng cụ máy đó.** Mọi dụng cụ máy không thể điều khiển được bằng công tắc đều rất nguy hiểm và phải được sửa chữa.
- Rút phích cắm ra khỏi nguồn điện và/hoặc tháo kết nối bộ pin khỏi dụng cụ máy, nếu có thể tháo rời trước khi thực hiện bất kỳ công việc điều chỉnh, thay đổi phụ tùng hay cất giữ dụng cụ máy nào.** Những biện pháp an toàn phòng ngừa này sẽ giảm nguy cơ vô tình khởi động dụng cụ máy.
- Cất giữ các dụng cụ máy không sử dụng ngoài tầm với của trẻ em và không cho bất kỳ người nào không có hiểu biết về dụng cụ máy hoặc các hướng dẫn này vận hành dụng cụ máy.** Dụng cụ máy sẽ rất nguy hiểm nếu được sử dụng bởi những người dùng chưa qua đào tạo.
- Bảo dưỡng dụng cụ máy và các phụ kiện.** Kiểm tra tình trạng lệch trục hoặc bó kẹt của các bộ phận chuyển động, hiện tượng nứt vỡ của các bộ phận và mọi tình trạng khác mà có thể ảnh hưởng đến hoạt động của dụng cụ máy. Nếu có hỏng hóc, hãy sửa chữa dụng cụ máy trước khi sử dụng. Nhiều tai nạn xảy ra là do không bảo quản tốt dụng cụ máy.
- Luôn giữ cho dụng cụ cất được sắc bén và sạch sẽ.** Những dụng cụ cất được bảo quản tốt có mép cắt sắc sẽ ít bị kẹt hơn và dễ điều khiển hơn.
- Sử dụng dụng cụ máy, phụ tùng và đầu dụng cụ cất, v.v... theo các hướng dẫn này, có tính đến điều kiện làm việc và công việc được thực hiện.** Việc sử dụng dụng cụ máy cho các công việc khác với công việc dự định có thể gây nguy hiểm.
- Giữ tay cầm và bề mặt tay cầm khô, sạch, không dính dầu và mỡ.** Tay cầm trơn trượt và bề mặt tay cầm không cho phép xử lý an toàn và kiểm soát dụng cụ trong các tình huống bất ngờ.

9. Khi sử dụng dụng cụ, không được đi găng tay lao động bằng vải, có thể bị vướng. Việc găng tay lao động bằng vải vướng vào các bộ phận chuyển động có thể gây ra thương tích cá nhân.

Sử dụng và bảo quản dụng cụ dùng pin

1. Chỉ sạc pin lại với bộ sạc do nhà sản xuất quy định. Bộ sạc phù hợp với một loại bộ pin này có thể gây ra nguy cơ hỏa hoạn khi được dùng cho một bộ pin khác.
2. Chỉ sử dụng các dụng cụ máy với các bộ pin được quy định cụ thể. Việc sử dụng bất cứ bộ pin nào khác có thể gây ra thương tích và hỏa hoạn.
3. Khi không sử dụng bộ pin, hãy giữ tránh xa các đồ vật khác bằng kim loại, chẳng hạn như kẹp giấy, tiền xu, chìa khóa, đinh, ốc vít hoặc các vật nhỏ bằng kim loại mà có thể làm nối tất các đầu cực pin. Các đầu cực pin bị đoản mạch có thể gây cháy hoặc hỏa hoạn.
4. Trong điều kiện sử dụng quá mức, pin có thể bị chảy nước; hãy tránh tiếp xúc. Nếu vô tình tiếp xúc với pin bị chảy nước, hãy rửa sạch bằng nước. Nếu dung dịch từ pin tiếp xúc với mắt, cần đi khám bác sĩ thêm. Dung dịch chảy ra từ pin có thể gây rát da hoặc bỏng.
5. Không sử dụng bộ pin hoặc dụng cụ bị hư hỏng hoặc đã bị sửa đổi. Pin đã bị hư hỏng hoặc đã bị sửa đổi có thể hành động theo cách không thể đoán trước dẫn đến cháy, nổ hoặc nguy cơ chấn thương.
6. Không để bộ pin hoặc dụng cụ tiếp xúc với lửa hoặc nhiệt độ quá cao. Tiếp xúc với lửa hoặc nhiệt độ trên 130°C có thể gây ra cháy nổ.
7. Làm theo tất cả các hướng dẫn sạc pin và không được sạc bộ pin hoặc dụng cụ vượt giới hạn nhiệt độ quy định trong hướng dẫn. Sạc pin không đúng hoặc ở nhiệt độ vượt giới hạn nhiệt độ có thể gây hư hỏng cho pin và làm tăng nguy cơ cháy.

Bảo dưỡng

1. Để nhân viên sửa chữa đủ trình độ bảo dưỡng dụng cụ máy của bạn và chỉ sử dụng các bộ phận thay thế đồng nhất. Việc này sẽ đảm bảo duy trì được độ an toàn của dụng cụ máy.
2. Không bao giờ sử dụng bộ pin đã hỏng. Dịch vụ bảo hành bộ pin chỉ nên thực hiện bởi nhà sản xuất hoặc các nhà cung cấp dịch vụ được ủy quyền.
3. Tuân theo hướng dẫn dành cho việc bôi trơn và thay phụ tùng.

Cảnh báo an toàn dành cho máy của kiểm chạy pin

GEB188-1

1. Cầm dụng cụ máy bằng bề mặt tay cầm cách điện khi thực hiện một thao tác trong đó phụ tùng cắt có thể tiếp xúc với dây điện ngầm. Phụ kiện cắt tiếp xúc với dây dẫn "có điện" có thể khiến các bộ phận kim loại bị hở của dụng cụ máy "có điện" và làm cho người vận hành bị điện giật.
2. Dùng kẹp hoặc làm theo cách khác thì khác để giữ chặt và đỡ phôi gia công trên bề mặt vững chắc. Giữ phôi gia công bằng tay hoặc tỳ vào cơ thể sẽ làm phôi không chắc chắn và có thể dẫn đến mất kiểm soát.

3. Luôn sử dụng kính bảo hộ hoặc kính an toàn. Kính mắt thông thường hoặc kính râm KHÔNG phải là kính an toàn.
4. Tránh cắt đinh. Kiểm tra phôi xem có đinh không và tháo đinh trước khi vận hành.
5. Không cắt phôi có kích thước quá lớn.
6. Kiểm tra khoảng trống phù hợp cách phôi gia công trước khi cắt để lưỡi của không cắt vào sàn, bàn gia công, v.v...
7. Cầm chắc dụng cụ.
8. Đám bảo lưới của không tiếp xúc với phôi gia công trước khi bắt công tác.
9. Giữ tay tránh xa các bộ phận chuyển động.
10. Không để mặc dụng cụ hoạt động. Chỉ vận hành dụng cụ khi cầm trên tay.
11. Luôn tắt nguồn và đợi lưới của dùng hẳn trước khi tháo lưới của ra khỏi phôi gia công.
12. Không chạm vào lưới của hay phôi gia công ngay sau khi vận hành; chúng có thể cực nóng và có thể gây bỏng da.
13. Không vận hành dụng cụ ở chế độ không tải nếu không cần thiết.
14. Luôn sử dụng đúng mặt nạ chống bụi/bình thở khi làm việc với vật liệu và ứng dụng của mình.
15. Một số vật liệu có thể chứa hóa chất độc hại. Phải cẩn trọng tránh hít phải bụi và để tiếp xúc với da. Tuân theo dữ liệu an toàn của nhà cung cấp vật liệu.

LƯU GIỮ CÁC HƯỚNG DẪN NÀY.

⚠ CẢNH BÁO:

KHÔNG vì đã thoải mái hay quen thuộc với sản phẩm (có được do sử dụng nhiều lần) mà không tuân thủ nghiêm ngặt các quy định về an toàn dành cho sản phẩm này. VIỆC DÙNG SAI hoặc không tuân theo các quy định về an toàn được nêu trong tài liệu hướng dẫn này có thể dẫn đến thương tích cá nhân nghiêm trọng.

Hướng dẫn quan trọng về an toàn dành cho hộp pin

ENC009-5

1. Trước khi sử dụng hộp pin, hãy đọc kỹ tất cả các hướng dẫn và dấu hiệu cảnh báo trên (1) bộ sạc pin, (2) pin và (3) sản phẩm sử dụng pin.
2. Không tháo rời hộp pin.
3. Nếu thời gian vận hành ngắn hơn quá mức, hãy ngừng vận hành ngay lập tức. Điều này có thể dẫn đến rủi ro quá nhiệt, có thể gây bỏng và thậm chí là nổ.
4. Nếu chất điện phân rơi vào mắt, hãy rửa sạch bằng nước sạch và đến cơ sở y tế ngay lập tức. Chất này có thể khiến bạn giảm thị lực.
5. Không để hộp pin ở tình trạng đoản mạch:
 - (1) Không chạm vào cực pin bằng vật liệu dẫn điện.
 - (2) Tránh cất giữ hộp pin trong hộp có các vật kim loại khác như đinh, tiền xu, v.v...
 - (3) Không được để hộp pin tiếp xúc với nước hoặc mưa.

Đoản mạch pin có thể gây ra dòng điện lớn, quá nhiệt, có thể gây bỏng và thậm chí là hỏng hóc.

6. **Không cất giữ dụng cụ và hộp pin ở nơi nhiệt độ có thể lên tới hoặc vượt quá 50°C.**
7. **Không đốt hộp pin ngay cả khi hộp pin đã bị hư hại nặng hoặc hư hỏng hoàn toàn. Hộp pin có thể nổ khi tiếp xúc với lửa.**
8. **Hãy cẩn trọng không làm rơi hoặc làm méo pin.**
9. **Không sử dụng pin đã hỏng.**
10. **Pin nén lithium-ion là đối tượng có yêu cầu bắt buộc theo Luật Hàng hoá Nguy hiểm.**

Đối với vận tải thương mại, ví dụ như vận tải do bên thứ ba, đại lý giao nhận, thì yêu cầu đặc biệt về đóng gói và nhãn ghi phải được giám sát.

Để chuẩn bị cho mặt hàng cần vận chuyển, cần phải tham khảo ý kiến chuyên gia về vật liệu nguy hiểm. Nếu được, vui lòng tuân thủ các quy định quốc gia chi tiết hơn.

Buộc hoặc niêm phong các tiếp điểm mở và đóng gói pin theo cách đó để nó không thể di chuyển trong bao bì.

11. **Tuân theo các quy định của địa phương liên quan đến việc thải bỏ pin.**
12. **Chỉ sử dụng pin cho các sản phẩm Makita chỉ định.** Lắp pin vào sản phẩm không thích hợp có thể gây ra hỏa hoạn, quá nhiệt, nổ, hoặc rò chất điện phân.

LƯU GIỮ CÁC HƯỚNG DẪN NÀY.

⚠ THẬN TRỌNG: Chỉ sử dụng pin Makita chính hãng. Việc sử dụng pin không chính hãng Makita, hoặc pin đã được sửa đổi, có thể dẫn đến nổ pin gây ra cháy, thương tích và thiệt hại cá nhân. Nó cũng sẽ làm mất hiệu lực bảo hành của Makita dành cho dụng cụ của Makita và quá sạc.

Mẹo duy trì tuổi thọ tối đa cho pin

1. **Sạc hộp pin trước khi pin bị xả điện hoàn toàn. Luôn dừng việc vận hành dụng cụ và sạc pin khi bạn nhận thấy công suất dụng cụ bị giảm.**
2. **Không được phép sạc lại một hộp pin đã được sạc đầy. Sạc quá mức sẽ làm giảm tuổi thọ của pin.**
3. **Sạc pin ở nhiệt độ phòng 10°C - 40°C. Để cho hộp pin nóng nguội lại dần trước khi sạc pin.**

MÔ TẢ CHỨC NĂNG

⚠ THẬN TRỌNG:

- Luôn đảm bảo rằng dụng cụ đã được tắt và hộp pin đã được tháo trước khi điều chỉnh hoặc kiểm tra chức năng trên dụng cụ.

Lắp hoặc tháo hộp pin (Hình 2)

- Luôn tắt công tắc dụng cụ trước khi lắp hoặc tháo hộp pin.
- Để tháo hộp pin, kéo hộp pin ra khỏi dụng cụ đồng thời nhấn các nút ở hai bên hộp pin.
- Để lắp hộp pin, giữ hộp pin sao cho phần trước của hộp pin vừa với phần cửa lắp đặt của hộp pin và thả hộp pin vào vị trí. Phải đưa pin vào cho đến khi hộp pin khớp vào vị trí với một tiếng lách cách nhỏ. Nếu không, pin có thể bắt ngờ văng ra khỏi dụng cụ, gây thương tích cho bạn hoặc người xung quanh.

- Không dùng lực khi lắp hộp pin. Nếu hộp pin không trượt vào dễ dàng thì có nghĩa là pin đang được lắp không đúng cách.

Hệ thống bảo vệ pin

Dụng cụ này được trang bị hệ thống bảo vệ pin. Hệ thống này sẽ tự động ngắt nguồn cho mô tơ để tăng tuổi thọ pin.

Dụng cụ sẽ tự động ngừng hoạt động nếu dụng cụ và/hoặc pin ở một trong các điều kiện sau.

- Quá tải:

Dụng cụ được vận hành theo cách tạo ra dòng điện cao bất thường. Trong trường hợp này, hãy nhả công tắc khởi động trên dụng cụ và ngừng hoạt động khiến dụng cụ bị quá tải. Sau đó kéo lại công tắc khởi động để khởi động lại.

- Điện áp pin thấp:

Điện dung còn lại của pin quá thấp và dụng cụ sẽ không hoạt động. Nếu bạn kéo bộ khởi động công tắc, mô tơ chạy lại nhưng sẽ dừng lại sớm. Trong trường hợp này, hãy tháo và sạc lại pin.

Hoạt động của công tắc (Hình 3)

⚠ THẬN TRỌNG:

- Trước khi lắp hộp pin vào dụng cụ, luôn kiểm tra xem bộ khởi động/cần công tắc có khởi động đúng và trở về vị trí "OFF" (TẮT) khi được nhả ra hay không.

Lấy/nút khoá được trang bị để tránh bộ khởi động/cần gạt công tắc vô tình bị kéo.

Để khởi động dụng cụ, kéo cần hoặc bộ khởi động công tắc.

- Đối với cần công tắc, hãy kéo lấy khoá rồi kéo cần công tắc để khởi động dụng cụ.

- Đối với bộ khởi động công tắc, hãy nhấn nút khoá rồi kéo bộ khởi động công tắc để khởi động dụng cụ. Có thể ấn nút khoá từ bên phải hoặc bên trái.

Tốc độ dụng cụ tăng khi tăng áp lực lên bộ khởi động/cần công tắc. Nhả bộ khởi động/cần công tắc để dừng.

CHÚ Ý:

Không kéo bộ khởi động/cần công tắc mạnh mà không ấn vào nút/lấy khoá. Điều này có thể gây hỏng công tắc.

Bật đèn phía trước (Hình 4)

⚠ THẬN TRỌNG:

- Không nhìn vào ánh sáng hoặc nhìn nguồn sáng một cách trực tiếp.

Kéo bộ khởi động/cần công tắc để bật đèn. Đèn sáng khi bộ khởi động/cần công tắc được kéo.

QUÁ TRÌNH LẮP RÁP

⚠ THẬN TRỌNG:

- Luôn chắc chắn rằng dụng cụ đã được tắt nguồn và hộp pin đã được tháo ra trước khi thực hiện bất kỳ công việc nào trên dụng cụ.

Lắp hoặc tháo lưỡi cưa

⚠ THẬN TRỌNG:

- Luôn lau sạch tất cả phoi hoặc vật lạ bám vào lưỡi cưa, kẹp và/hoặc nút trượt. Không làm như vậy có

thể khiến cho lưỡi của được siết không đủ chặt dẫn đến thương tích nghiêm trọng.

Dành cho Kiểu máy JR100D (Hình 5)

Lắp lưỡi của kiếm vào kẹp lưỡi của cho đến khi lưỡi của vào hết. Ống kẹp lưỡi của xoay và lưỡi của được cố định. Đảm bảo rằng không thể rút lưỡi của ngay cả khi bạn cố rút lưỡi của ra.

⚠ THẬN TRỌNG:

- Nếu bạn không lắp lưỡi của đủ sâu, lưỡi của có thể bất ngờ bị văng ra trong khi vận hành. Điều này có thể cực kỳ nguy hiểm.

CHÚ Ý:

- Bạn không thể sử dụng lưỡi của lạng với JR100D. (Hình 6)

Để tháo lưỡi của, xoay ống kẹp lưỡi của theo hướng mũi tên. Lưỡi của được tháo và ống kẹp lưỡi của được cố định ở vị trí nhà.

CHÚ Ý:

- Nếu bạn tháo lưỡi của mà không xoay ống kẹp lưỡi của hết cỡ, ống kẹp có thể không được cố định. Trong trường hợp này, xoay ống kẹp lưỡi của hết cỡ, sau đó cố định ống kẹp ở vị trí nhà.

Dành cho Kiểu máy JR102D

Để lắp lưỡi của, hãy nói lỏng bu-lông bằng cờ lê sáu cạnh. Khi lắp lưỡi của kiếm, ấn bu-lông bằng cờ lê sáu cạnh để mở khe trong quá trình lắp lưỡi của. (Hình 7 & 8)

Bạn có thể sử dụng cả lưỡi của lạng (loại B) và lưỡi của kiếm tùy theo công việc của mình. Lắp lưỡi của vào thẳng kẹp lưỡi của và siết chặt bằng cờ lê lục giác. Kéo nhẹ lưỡi của để đảm bảo rằng lưỡi của không bị rơi ra trong quá trình vận hành.

Để tháo lưỡi của, thực hiện ngược lại quy trình lắp. (Hình 9 & 10)

Cất giữ cờ lê sáu cạnh (Hình 11)

Khi không sử dụng, hãy cất giữ cờ lê lục giác. Cờ lê được giữ cố định bằng hai vấu lỗi như minh họa trong hình để không bị mất.

VẬN HÀNH (Hình 12)

⚠ THẬN TRỌNG:

- Luôn ấn chặt đế hãm vào phôi trong khi vận hành. Nếu đế hãm cách xa phôi trong khi vận hành, lực xoắn và/hoặc rung mạnh sẽ sinh ra khiến lưỡi của bị gãy một cách nguy hiểm.
- Luôn đeo găng tay để bảo vệ tay bạn khỏi các phoi nóng bắn ra khi cắt kim loại.
- Đảm bảo luôn đeo thiết bị bảo vệ mắt phù hợp tuân theo các tiêu chuẩn quốc gia hiện tại.
- Luôn sử dụng chất làm mát phù hợp (dầu làm nguội) khi cắt kim loại. Không làm như vậy sẽ làm lưỡi của bị mòn sớm.

Ấn chặt đế hãm vào phôi gia công. Không để dụng cụ bật lên. Để lưỡi của chạm nhẹ vào phôi gia công. Trước tiên, tạo rãnh dẫn hướng với tốc độ chậm hơn. Sau đó sử dụng tốc độ nhanh hơn để tiếp tục cắt.

(Hình 13 & 14)

- Bạn có thể sử dụng cần hoặc bộ khởi động công tắc tùy theo công việc của mình.

CHÚ Ý:

- Nếu vận hành dụng cụ liên tục cho đến khi hết pin, hãy dừng dụng cụ khoảng 15 phút trước khi tiếp tục bằng pin mới.

BẢO DƯỠNG

⚠ THẬN TRỌNG:

- Luôn chắc chắn rằng bạn đã tắt nguồn và tháo pin của dụng cụ ra trước khi thực hiện kiểm tra hoặc bảo trì.
- Không bao giờ dùng xăng, ét xăng, dung môi, cồn hoặc hóa chất tương tự. Có thể xảy ra hiện tượng mất màu, biến dạng hoặc nứt vỡ.

Để duy trì ĐỘ AN TOÀN và ĐỘ TIN CẬY của sản phẩm, việc sửa chữa, bảo dưỡng hoặc bất kỳ điều chỉnh nào khác đều phải do Trung tâm Bảo trì Được ủy quyền của Makita thực hiện, luôn sử dụng các bộ phận thay thế của Makita.

PHỤ KIỆN TỰY CHỌN

⚠ THẬN TRỌNG:

- Các phụ tùng hoặc phụ kiện này được khuyến nghị sử dụng với dụng cụ Makita của bạn được chỉ định trong tài liệu này. Việc sử dụng bất kỳ phụ tùng hoặc phụ kiện nào khác có thể dẫn đến rủi ro thương tích cho con người. Chỉ sử dụng phụ tùng hoặc phụ kiện với mục đích được nêu.

Nếu bạn cần bất kỳ sự hỗ trợ nào để biết thêm chi tiết về các phụ tùng này, hãy hỏi Trung tâm Bảo trì Makita tại địa phương của bạn.

- Lưỡi của kiếm
- Lưỡi của lạng (chỉ sử dụng cho Kiểu máy JR102D)
- Pin và bộ sạc chính hãng Makita
- Hộp đựng bằng nhựa

CHÚ Ý:

- Một số mục trong danh sách có thể được bao gồm trong gói dụng cụ làm các phụ kiện chuẩn. Các mục này ở mỗi quốc gia có thể khác nhau.

คำอธิบายของมุมมองทั่วไป

- | | | |
|-----------------|-----------------------------------|---|
| 1. ปุ่ม | 8. โป้เลยสำหรับเลือกยกเลิกประสงค์ | 15. ช่องใส่โป้เลยสำหรับเลือกยกเลิกประสงค์ |
| 2. แบตเตอรี่ | 9. กระจกหุ้มตัวจับโป้เลย | 16. ตัวยึดโป้เลย |
| 3. ปุ่มลือกคอฟ | 10. โป้เลย | 17. ช่องใส่โป้เลยจล |
| 4. คันลือกคอฟ | 11. กระจกเหลี่ยม | 18. ฟันลือก |
| 5. คันโยกสวิตช์ | 12. โป้ลด์ | |
| 6. โกลสวิตช์ | 13. คลายออก | |
| 7. ไฟสัญญาณ | 14. ชั้นให้แน่น | |

ข้อมูลทางเทคนิค

รุ่น	JR100D	JR102D
ความยาวของช่วงชัก	13 มม	
จังหวะตอานที่ (นาที่ ⁻¹)	0 - 3,300	
ความสามารถในการตัดสูงสุด	ท่อ	50 มม
	ไม้	50 มม
ความยาวรวม (พร้อมแบตเตอรี่)	355 มม	
น้ำหนักสุทธิ	1.2 กก	1.2 กก
อัตราแรงดันไฟฟ้า	D.C. 10.8 V	

- เนื่องจากกรวิจัยและการพัฒนาของเราเป็นแผนงานต่อเนื่อง ดังนั้นข้อมูลเทคนิคที่ระบุในเอกสารนี้อาจมีการเปลี่ยนแปลงโดยไม่ต้องแจ้งให้ทราบล่วงหน้า
- ข้อมูลเทคนิคอาจแตกต่างกันในแต่ละประเทศ
- น้ำหนักพร้อมแบตเตอรี่ตามข้อบังคับของ EPTA 01/2014

ดลับบตเตอรืและแท่นชาร์จที่สามารถใช้งานได้

ดลับบตเตอรื	BL1013
แท่นชาร์จ	DC10WA

- ดลับบตเตอรืและแท่นชาร์จบางรายการที่ระบุไว้ทางด้านบนอาจไม่มีจำหน่ายในภูมิภาคของคุณ

⚠ คำเตือน:

- ใช้แต่ดลับบตเตอรืและแท่นชาร์จที่ระบุไว้ทางด้านบนเท่านั้น การใช้ดลับบตเตอรืและแท่นชาร์จอื่นอาจทำให้ได้รับบาดเจ็บและ/หรือเกิดไฟไหม้ได้

สัญลักษณ์

END004-7

วัตถุประสงค์การใช้งาน

ENE020-1

ต่อไปนี้เป็นสัญลักษณ์ที่ใช้สำหรับอุปกรณ์ โปรดศึกษาความหมายของสัญลักษณ์ให้เข้าใจก่อนการใช้งาน

เครื่องมือนี้ผลิตขึ้นเพื่อใช้ในการตัดวัสดุที่ทำจากไม้ พลาสติก และเหล็ก



..... อ่านคู่มือการใช้งาน

คำเตือนด้านความปลอดภัยของเครื่องมือไฟฟ้าทั่วไป

GEA013-2

- ⚠ คำเตือน: โปรดอ่านคำเตือนด้านความปลอดภัย คำแนะนำภาพประกอบ และข้อมูลจำเพาะต่างๆ ที่ให้มากับเครื่องมือ

ไฟฟ้าอย่างละเอียด การไม่ปฏิบัติตามคำแนะนำดังต่อไปนี้ อาจส่งผลให้เกิดไฟฟ้าช็อต ไฟไหม้ และ/หรือได้รับบาดเจ็บอย่างร้ายแรงได้

เก็บรักษาคำแนะนำและคำแนะนำทั้งหมดไว้เป็น

ข้อมูลอ้างอิงในอนาคต

คำว่า "เครื่องมือไฟฟ้า" ในคำเตือนนี้หมายถึงเครื่องมือไฟฟ้า (มีสาย) ที่ทำงานโดยใช้กระแสไฟฟ้าหรือเครื่องมือไฟฟ้า (ไร้สาย) ที่ทำงานโดยใช้แบตเตอรี่

ความปลอดภัยของพื้นที่ทำงาน

1. ดูแลพื้นที่ทำงานให้มีความสะอาดและมีแสงไฟสว่าง พื้นที่ที่กระเบื้องกระเบื้องหรือมีดที่อาจนำไปสู่การเกิดอุบัติเหตุได้
2. อย่าใช้งานเครื่องมือไฟฟ้าในสภาพที่อาจเกิดการกระเบิด เช่น ในสถานที่ที่มีของเหลว ก๊าซ หรือฝุ่นผงที่มีคุณสมบัติไวไฟ เครื่องมือไฟฟ้าอาจสร้างประกายไฟและจุดชนวนฝุ่นผงหรือก๊าซดังกล่าว
3. ดูแลไม่ให้มีเด็ก ๆ หรือบุคคลอื่นอยู่ในบริเวณที่กำลังใช้เครื่องมือไฟฟ้า การมีสิ่งรบกวนสมาธิอาจทำให้คุณสูญเสียการควบคุม

ความปลอดภัยด้านไฟฟ้า

1. ปลั๊กของเครื่องมือไฟฟ้าต้องพอดีกับเต้ารับ อย่าตัดแปลงปลั๊กไม่ว่ากรณีใด ๆ อย่าใช้ปลั๊กถอดแตรกับเครื่องมือไฟฟ้าที่ต่อสายดิน ปลั๊กที่ไม่ถูกตัดแปลงและเต้ารับที่เข้ากันพอดีจะช่วยลดความเสี่ยงของการเกิดไฟฟ้าช็อต
2. ระวังอย่าให้ร่างกายสัมผัสกับพื้นผิวที่ต่อสายดิน เช่น ท่อเครื่องทำความร้อน เตาหุงต้ม และตู้เย็น มีความเสี่ยงที่จะเกิดไฟฟ้าช็อตสูงขึ้น หากร่างกายของคุณสัมผัสกับพื้น
3. อย่าให้เครื่องมือไฟฟ้าถูกน้ำหรืออยู่ในสภาพเปียกชื้น น้ำที่ไหลเข้าไปในเครื่องมือไฟฟ้าจะเพิ่มความเสี่ยงของการเกิดไฟฟ้าช็อต
4. อย่าใช้สายไฟอย่างไม่เหมาะสม อย่าใช้สายไฟเพื่อยก ดึง หรือถอดปลั๊กเครื่องมือไฟฟ้า เก็บสายไฟให้ห่างจากความร้อน น้ำมัน ของมีคม หรือชิ้นส่วนที่เคลื่อนที่ สายที่ชำรุดหรือพันกันจะเพิ่มความเสี่ยงของการเกิดไฟฟ้าช็อต
5. ขณะที่ใช้งานเครื่องมือไฟฟ้ากลางแจ้ง ควรใช้สายต่อพ่วงที่เหมาะสมกับงานกลางแจ้ง การใช้สายที่เหมาะสมกับงานกลางแจ้งจะลดความเสี่ยงของการเกิดไฟฟ้าช็อต
6. หากต้องใช้งานเครื่องมือไฟฟ้าในสถานที่เปียกชื้น ให้ใช้อุปกรณ์ป้องกันกระแสไฟฟ้ารั่ว (RCD) การใช้ RCD จะลดความเสี่ยงของการเกิดไฟฟ้าช็อต
7. เครื่องมือไฟฟ้าอาจสร้างสนามแม่เหล็ก (EMF) ที่ไม่เป็นอันตรายต่อผู้ใช้ อย่างไรก็ตาม ผู้ใช้ที่ใส่เครื่องกระตุ้นหัวใจ และอุปกรณ์ทางการแพทย์ที่คล้ายกันนี้ควรติดต่อผู้ผลิต

อุปกรณ์และ/หรือแพทย์เพื่อรับคำแนะนำก่อนใช้งานเครื่องมือไฟฟ้า

ความปลอดภัยส่วนบุคคล

1. ให้ระมัดระวังและมีสติอยู่เสมอขณะใช้งานเครื่องมือไฟฟ้า อย่านำใช้งานเครื่องมือไฟฟ้าในขณะที่คุณกำลังเหนื่อย หรือในสภาพที่มีเมฆมาจายาเสพติด เครื่องดื่ม แอลกอฮอล์ หรือการใซ้ยา ช่วงเวลาที่ขาดความระมัดระวังเมื่อกำลังใช้งานเครื่องมือไฟฟ้าอาจทำให้ได้รับบาดเจ็บร้ายแรง
2. ใช้อุปกรณ์ป้องกันส่วนบุคคล สวมแว่นตาป้องกันเสมอ อุปกรณ์ป้องกัน เช่น หน้ากากกันฝุ่น รองเท้านิรภัยกันลื่น หมวกนิรภัย หรือเครื่องป้องกันการได้ยินที่ใช้ในสภาพที่เหมาะสมจะช่วยลดการบาดเจ็บ
3. ป้องกันไม่ให้เกิดการเปิดใช้งานโดยไม่ตั้งใจ ตรวจสอบให้แน่ใจว่าสวิตช์ปิดอยู่ก่อนที่จะเชื่อมต่อกับแหล่งจ่ายไฟ และ/หรือชุดแบตเตอรี่ รวมทั้งตรวจสอบก่อนการยกหรือเคลื่อนย้ายเครื่องมือ การสอดนิ้วมือบริเวณสวิตช์เพื่อถือเครื่องมือไฟฟ้า หรือการชาร์จไฟเครื่องมือไฟฟ้าในขณะที่เปิดสวิตช์อยู่อาจนำไปสู่การเกิดอุบัติเหตุ
4. นำกฎแจบปรับตั้งหรือประแจออกก่อนที่จะเปิดเครื่องมือไฟฟ้า ประแจหรือกฎแจบที่เสียบค้างอยู่ในชิ้นส่วนที่หมุนได้ของเครื่องมือไฟฟ้าอาจทำให้ได้รับบาดเจ็บ
5. อย่านำทำงานในระยะที่สุดเอี่ยม จัดทำการขึ้นและการทรวตัวให้เหมาะสมตลอดเวลา เพราะจะทำให้ควบคุมเครื่องมือไฟฟ้าได้ดีขึ้นในสถานการณ์ที่ไม่คาดคิด
6. แต่งกายให้เหมาะสม อย่านวมเครื่องแต่งกายที่หลวมเกินไป หรือสวมเครื่องประดับ ดูแลไม่ให้เส้นผมและเสื้อผ้าอยู่ใกล้ชิ้นส่วนที่เคลื่อนที่ เสื้อผ้ามูร่าม เครื่องประดับหรือผมที่มีความยาวอาจเข้าไปติดในชิ้นส่วนที่เคลื่อนที่
7. หากมีการจัดอุปกรณ์สำหรับคุณและจัดเก็บฝุ่นไว้ในสถานที่ ให้ตรวจสอบว่าได้เชื่อมต้อและใช้งานอุปกรณ์นั้นอย่างเหมาะสม การใช้เครื่องดูดและจัดเก็บฝุ่นจะช่วยลดอันตรายที่เกิดจากฝุ่นผงได้
8. อย่านำความคุ้นเคยจากการใช้งานเครื่องมือเป็นประจำทำให้คุณทำตัวตามสบายและละเลยหลักการเพื่อความปลอดภัยในการใช้เครื่องมือ การกระทำที่ไม่ระมัดระวังอาจทำให้เกิดการบาดเจ็บร้ายแรงภายในเสี้ยววินาที
9. สวมใส่แว่นครอบตาในรักรัยเพื่อปกป้องดวงตาจากการบาดเจ็บเมื่อใช้เครื่องมือไฟฟ้า แว่นครอบตาจะต้องได้มาตรฐาน ANSI Z87.1 ในสหรัฐอเมริกา, EN 166 ในยุโรป หรือ AS/NZS 1336 ในออสเตรเลีย/นิวซีแลนด์ ในออสเตรเลีย/นิวซีแลนด์ จะต้องสวมเกราะป้องกันใบหน้าเพื่อปกป้องใบหน้าของคุณอย่างถูกต้องตามกฎหมาย (ภาพที่ 1) ด้วยผู้ว่าจ้างมีหน้าที่รับผิดชอบในการบังคับผู้ใช้งาน

เครื่องมือและบุคคลอื่นๆ ที่อยู่ในบริเวณที่ปฏิบัติงาน ให้ใช้อุปกรณ์ป้องกันที่เหมาะสม

การใช้และดูแลเครื่องมือไฟฟ้า

1. อย่าฝืนใช้เครื่องมือไฟฟ้า ใช้เครื่องมือไฟฟ้าที่เหมาะสมกับการใช้งานของคุณ เครื่องมือไฟฟ้าที่เหมาะสมจะทำให้ได้งานที่มีประสิทธิภาพและปลอดภัยกว่าตามขีดความสามารถของเครื่องที่ได้รับการออกแบบมา
2. อย่าใช้เครื่องมือไฟฟ้า หากสวิตช์ไม่สามารถเปิดปิดได้ เครื่องมือไฟฟ้าที่ควบคุมด้วยสวิตช์ไม่ได้เป็นสิ่งอันตรายและต้องได้รับการซ่อมแซม
3. ถอดปลั๊กจากแหล่งจ่ายไฟ และ/หรือชุดแบตเตอรี่ออกจากเครื่องมือไฟฟ้าก่อนทำการปรับตั้ง เปลี่ยนอุปกรณ์เสริม หรือจัดเก็บเครื่องมือไฟฟ้า วิธีการป้องกันด้านความปลอดภัยดังกล่าวจะช่วยลดความเสี่ยงในการเปิดใช้งานเครื่องมือไฟฟ้าโดยไม่ตั้งใจ
4. จัดเก็บเครื่องมือไฟฟ้าที่ไม่ได้ใช้งานในห่างจากมือเด็ก และอย่าอนุญาตให้บุคคลที่ไม่คุ้นเคยกับเครื่องมือไฟฟ้า หรือคำแนะนำเหล่านี้ใช้งานเครื่องมือไฟฟ้า เครื่องมือไฟฟ้าจะเป็นอันตรายเมื่ออยู่ในมือของผู้ที่ไม่ได้รับการฝึกอบรม
5. บำรุงรักษาเครื่องมือไฟฟ้าและอุปกรณ์เสริม ตรวจสอบการประกอบที่ไม่ถูกต้องหรือการเชื่อมต่อของชิ้นส่วนที่เคลื่อนที่ การแตกหักของชิ้นส่วน หรือสภาพอื่นๆ ที่อาจส่งผลกระทบต่อการทำงานของเครื่องมือไฟฟ้า หากมีความเสียหาย ให้นำเครื่องมือไฟฟ้าไปซ่อมแซมก่อนการใช้งาน อุบัติเหตุจำนวนมากเกิดจากการดูแลรักษาเครื่องมือไฟฟ้าอย่างไม่ถูกต้อง
6. ท้าความสะอาดเครื่องมือตัดและลับให้คมอยู่เสมอ เครื่องมือการตัดที่มีการดูแลอย่างถูกต้องและมีขอบการตัดคม มักจะมีปัญหาติดขัดน้อยและควบคุมได้ง่ายกว่า
7. ใช้เครื่องมือไฟฟ้า อุปกรณ์เสริม และวัสดุสิ้นเปลือง ฯลฯ ตามคำแนะนำนำดังกล่าว พิจารณาสภาพการทำงานและงานที่จะลงมือทำ การใช้เครื่องมือไฟฟ้าเพื่อทำงานอื่น นอกเหนือจากที่กำหนดไว้อาจทำให้เกิดอันตราย
8. ดูแลมือจับและบริเวณมือจับให้แห้ง สะอาด และไม่มีน้ำมันและจาระบีเปื้อน มือจับและบริเวณมือจับที่ลื่นจะทำให้ไม่สามารถจับและควบคุมเครื่องมือได้อย่างปลอดภัย ในสถานการณ์ที่ไม่คาดคิด
9. ขณะใช้งานเครื่องมือ อย่าสวมใส่ถุงมือผ้าที่อาจเข้าไปติดในเครื่องมือได้ หากถุงมือผ้าเข้าไปติดในชิ้นส่วนที่กำลังเคลื่อนที่ที่อยู่ข้างทำให้ได้รับบาดเจ็บ

การใช้งานและดูแลเครื่องมือที่ใช้แบตเตอรี่

1. ชาร์จไฟใหม่ด้วยเครื่องชาร์จที่ระบุโดยผู้ผลิตเท่านั้น เครื่องชาร์จที่เหมาะสมสำหรับชุดแบตเตอรี่ประเภทหนึ่งอาจเสี่ยงที่จะเกิดไฟไหม้หากนำไปใช้กับชุดแบตเตอรี่อีกประเภทหนึ่ง

2. ใช้เครื่องมือไฟฟ้ากับชุดแบตเตอรี่ที่กำหนดมาโดยเฉพาะเท่านั้น การใช้ชุดแบตเตอรี่ประเภทอื่นอาจทำให้เสี่ยงที่จะได้รับบาดเจ็บและเกิดไฟไหม้
3. เมื่อไม่ใช้งานชุดแบตเตอรี่ ให้เก็บห่างจากวัตถุที่เป็นโลหะอื่นๆ เช่น คลิปหนีบกระดาษ เหรียญ ญาญแจ กรรไกรตัดเล็บ สกรู หรือวัตถุที่เป็นโลหะขนาดเล็กอื่นๆ ที่สามารถเชื่อมต่อกับหนึ่งกับอีกขั้วหนึ่งได้ การลัดวงจรขั้วแบตเตอรี่อาจทำให้อ่อนจัดหรือเกิดไฟไหม้
4. ในกรณีที่ใช้งานไม่ถูกต้อง อาจมีของเหลวไหลออกจากแบตเตอรี่ ให้หลีกเลี่ยงการสัมผัส หากสัมผัสโดนของเหลวโดยไม่ตั้งใจ ให้ล้างออกด้วยน้ำ หากของเหลวกระเด็นเข้าตา ให้รีบไปพบแพทย์ ของเหลวที่ไหลออกจากแบตเตอรี่อาจทำให้อ่อนจัดหรือระคายเคืองหรือไหม้
5. ห้ามใช้ชุดแบตเตอรี่หรือเครื่องมือที่ชำรุดหรือมีการแก้ไขแบตเตอรี่ที่เสียหายหรือมีการแก้ไขอาจทำให้เกิดสิ่งที่ไม่คาดไม่ถึง เช่น ไฟไหม้ ระเบิด หรือเสี่ยงต่อการบาดเจ็บ
6. ห้ามให้ชุดแบตเตอรี่อยู่ใกล้ไฟ หรือบริเวณที่มีอุณหภูมิสูงเกิน หากโดนไฟ หรืออุณหภูมิสูงเกิน 130 °C อาจก่อให้เกิดการระเบิดได้
7. กรุณาปฏิบัติตามคำแนะนำสำหรับการชาร์จไฟ และห้ามชาร์จแบตเตอรี่หรือเครื่องมือในบริเวณที่มีอุณหภูมิ นอกเหนือไปจากที่ระบุในคำแนะนำ การชาร์จไฟที่ไม่เหมาะสม หรืออุณหภูมิ นอกเหนือไปจากช่วงอุณหภูมิที่ระบุในคำแนะนำอาจทำให้อายุแบตเตอรี่เสียหายและเป็นการเพิ่มความเสี่ยงในการเกิดไฟไหม้

การซ่อมบำรุง

1. นำเครื่องมือไฟฟ้าเข้ารับบริการจากช่างซ่อมที่ผ่านการรับรองโดยช่างไฮสแตนด์บายเท่านั้น เพราะจะทำให้การใช้เครื่องมือไฟฟ้ามีความปลอดภัย
2. ห้ามใช้ชุดแบตเตอรี่ที่เสียหาย ชุดแบตเตอรี่ที่ใช้ควรเป็นชุดที่มาจากผู้ผลิต หรือผู้ให้บริการที่ได้รับอนุญาตเท่านั้น
3. ปฏิบัติตามคำแนะนำในการหลอกล่อนและการเปลี่ยนอุปกรณ์เสริม

คำเตือนด้านความปลอดภัยของ เลื่อยอเนกประสงค์ไร้สาย


GEB188-1

1. ถือเครื่องมือไฟฟ้าบริเวณมือจับที่เป็นฉนวนเมื่อทำงานที่เครื่องมือตัดอาจสัมผัสกับสายไฟที่ซ่อนอยู่ เครื่องมือตัดที่สัมผัสกับสายไฟที่ “มีกระแสไฟฟ้าไหลผ่าน” อาจทำให้ส่วนที่เป็นโลหะของเครื่องมือไฟฟ้าที่ไม่มีฉนวนหุ้ม “มีกระแสไฟฟ้าไหลผ่าน” และทำให้ผู้ปฏิบัติงานถูกไฟฟ้าช็อตได้
2. ใช้ปากกาจับหรือวิธีการปฏิบัติอื่นๆ เพื่อยึดและรองรับชิ้นงานไว้บนพื้นที่ที่มั่นคง การใช้มือจับชิ้นงานหรือยึด

ขึ้นงานไว้กับร่างกายจะทำให้เกิดความไม่มั่นคงและสูญเสียการควบคุมได้

- สวมแว่นตานิรภัยหรือแว่นครอบตาเสมอ แว่นตานิรภัยหรือแว่นกันแดดไม่ใช่แว่นนิรภัย
- หลีกเลี่ยงการตัดตะปู ตรวจหาคะปุกในชิ้นงานและถอนตะปูออกก่อนทำงาน
- อย่าตัดชิ้นงานที่มีขนาดใหญ่เกินไป
- ตรวจสอบสิ่งที่อยู่โดยรอบชิ้นงานก่อนการตัดเพื่อป้องกันไม่ให้ใบเลื่อยโค่นพื้น โตะ ฯลฯ
- จับเครื่องมือให้แน่น
- ตรวจสอบให้แน่ใจว่าใบมีดนั้นไม่ได้สัมผัสกับชิ้นงานก่อนที่จะเปิดสวิตช์
- ระวังอย่าให้มือสัมผัสกับชิ้นส่วนที่เคลื่อนที่
- อย่าปล่อยให้เครื่องมือทำงานค้างไว้ ใช้งานเครื่องมือในขณะที่ถืออยู่เท่านั้น
- ปิดสวิตช์และรองจนกว่าใบเลื่อยหยุดนิ่งสนิทก่อนที่จะเอาใบเลื่อยออกจากชิ้นงาน
- ห้ามสัมผัสกับใบมีดหรือชิ้นงานทันทีที่ทำงานเสร็จ เนื่องจากดอกไขควงหรือชิ้นงานอาจมีความร้อนสูงและลวกผิวหนังของคุณได้
- อย่าใช้เครื่องมือโดยเปิดเครื่องทิ้งไว้เฉยๆ โดยไม่จำเป็น
- ใช้หน้ากากกันฝุ่น/ควีนพิษที่เหมาะสมกับวัสดุและการใช้งานที่คุณกำลังทำงานเสมอ
- วัสดุบางอย่างอาจมีสารเคมีที่เป็นพิษ ระวังอย่าสูดดมฝุ่นหรือสัมผัสกับผิวหนัง ปฏิบัติตามข้อมูลด้านความปลอดภัยของผู้ผลิตวัสดุ

ปฏิบัติตามคำแนะนำเหล่านี้

 คำเตือน:

อย่าให้ความไม่ระมัดระวังหรือความคุ้นเคยกับผลิตภัณฑ์ (จากการใช้งานซ้ำหลายครั้ง) อยู่เหนือการปฏิบัติตามกฎเกณฑ์ด้านความปลอดภัยในการใช้งานผลิตภัณฑ์อย่างเคร่งครัด การใช้งานอย่างไม่เหมาะสมหรือการไม่ปฏิบัติตามกฎเกณฑ์ด้านความปลอดภัยในคู่มือการใช้งานนี้อาจทำให้ได้รับบาดเจ็บร้ายแรง

คำแนะนำเพื่อความปลอดภัยที่สำคัญสำหรับดัดลับแบตเตอรี่

ENC009-5

- ก่อนใช้งานดัดลับแบตเตอรี่ให้อ่านคำแนะนำและเครื่องหมายเตือนทั้งหมดบน (1) เครื่องชาร์จแบตเตอรี่ (2) แบตเตอรี่ และ (3) ตัวผลิตภัณฑ์ที่ใช้แบตเตอรี่
- ห้ามถอดแยกส่วนดัดลับแบตเตอรี่

- หากระยะเวลาที่เครื่องทำงานสั้นเกินไป ให้หยุดใช้งานทันที เนื่องจากอาจมีความเสี่ยงที่จะร้อนจัด ไหมหรือระเบิดได้
- หากสารละลายอิเล็กทรอนิกส์กระเด็นเข้าตา ให้ล้างออกด้วยน้ำเปล่าและรีบไปพบแพทย์ทันที เนื่องจากอาจทำให้ตาบอด
- ห้ามลัดวงจรดัดลับแบตเตอรี่:
 - ห้ามแตะขั้วกับวัตถุที่เป็นสื่อไฟฟ้าใดๆ
 - หลีกเลี่ยงการเก็บดัดลับแบตเตอรี่ไว้ในภาชนะร่วมกับวัตถุที่เป็นโลหะ เช่น กรรไกรตัดเล็บ เหนียว ฯลฯ
 - อย่าให้ดัดลับแบตเตอรี่ถูกน้ำหรือฝนแบตเตอรี่ลัดวงจรอาจทำให้เกิดการไหลของกระแสไฟฟ้า ร้อนจัด ไหมหรือเสียหายได้
- ห้ามเก็บเครื่องมือและดัดลับแบตเตอรี่ไว้ในสถานที่ที่มีอุณหภูมิสูงถึงหรือเกิน 50 °C
- ห้ามเผาดัดลับแบตเตอรี่ทิ้ง แม้ว่าแบตเตอรี่จะเสียหายจนใช้การไม่ได้หรือเสื่อมสภาพแล้ว ดัดลับแบตเตอรี่อาจจะเปิดในกองไฟ
- ระวังอย่าทำแบตเตอรี่ตกหล่นหรือกระทบกระแทก
- ห้ามใช้แบตเตอรี่ที่เสียหาย
- แบตเตอรี่ลิเทียมไอออนที่มีมาในนั้นเป็นไปตามข้อกำหนดของ Dangerous Goods Legislation สำหรับการขนส่งเพื่อการพาณิชย์ เช่น โดยบุคคลที่สาม ตัวแทนขนส่งสินค้า จะต้องตรวจสอบข้อกำหนดพิเศษในด้านการบรรจุหีบห่อหรือการติดป้ายสินค้า

ในการเตรียมสินค้าที่จะขนส่ง ให้ปรึกษาผู้เชี่ยวชาญด้านวัตถุอันตราย โปรดตรวจสอบข้อกำหนดในประเทศที่อาจมีรายละเอียดอื่นๆ เพิ่มเติม

ให้ติดเทปหรือปิดหน้าสัมผัสและห่อแบตเตอรี่ในลักษณะที่แบตเตอรี่จะไม่เคลื่อนที่ไปมาในหีบห่อ

- ปฏิบัติตามข้อบังคับในท้องถิ่นที่เกี่ยวข้องกับการกำจัดแบตเตอรี่
- ใช้แบตเตอรี่กับผลิตภัณฑ์ที่ระบุโดย Makita เท่านั้น การติดตั้งแบตเตอรี่ในผลิตภัณฑ์ที่ไม่ใช่ตามที่ระบุอาจทำให้เกิดไฟไหม้ ความร้อนสูง ระเบิด หรืออิเล็กทรอนิกส์รั่วไหลได้

ปฏิบัติตามคำแนะนำเหล่านี้

 ข้อควรระวัง: ใช้แบตเตอรี่ของแท้จาก Makita เท่านั้น การใช้แบตเตอรี่ Makita ที่ไม่แท้ หรือแบตเตอรี่ที่ถูกเปลี่ยน อาจทำให้แบตเตอรี่ระเบิด ก่อให้เกิดเพลิงลุกไหม้ การบาดเจ็บ และความเสียหายได้ และจะทำให้การรับประกันของ Makita สำหรับเครื่องมือและแท่นชาร์จของ Makita เป็นโมฆะด้วย

เคล็ดลับในการรักษาอายุการใช้งานของ แบตเตอรี่ให้ยาวนานที่สุด

1. ชาร์จระดับแบตเตอรี่ก่อนที่ไฟจะหมด หยุดการใช้งานแล้วชาร์จประจุไฟฟ้าใหม่ทุกครั้งเมื่อคุณรู้สึกว่าอุปกรณ์มีกำลังลดลง
2. อย่าชาร์จระดับแบตเตอรี่ที่มีไฟเต็มแล้ว การชาร์จประจุไฟฟ้ามากเกินไปอาจจะทำให้อายุการใช้งานของตัวแบตเตอรี่สั้นลง
3. ชาร์จประจุไฟฟ้าตัวแบตเตอรี่ในห้องที่มีอุณหภูมิระหว่าง 10 °C - 40 °C ปล่อยให้ตัวแบตเตอรี่เย็นลงก่อนที่จะชาร์จไฟ

คำอธิบายการใช้งาน

⚠️ ข้อควรระวัง:

- ตรวจสอบว่าเปิดสวิตช์เครื่องและถอดตัวแบตเตอรี่ออกก่อนทำการปรับเปลี่ยนหรือตรวจสอบการทำงานของเครื่อง

การประกอบหรือการถอดตัวแบตเตอรี่

(ภาพที่ 2)

- ปิดสวิตช์เครื่องทุกครั้งก่อนใส่หรือถอดตัวแบตเตอรี่
- สำหรับการถอดตัวแบตเตอรี่ ให้ถอดตัวแบตเตอรี่ออกจากเครื่องมือโดยการกดปุ่มทั้งสองข้างของตัวแบตเตอรี่
- สำหรับการใส่ตัวแบตเตอรี่ ให้ถือตัวแบตเตอรี่โดยให้ด้านหน้าตรงกับช่องใส่แบตเตอรี่ที่เปิดอยู่ และเลื่อนแบตเตอรี่เข้าไปในช่อง ใส่แบตเตอรี่เข้าไปจนสุดจนกว่าจะล็อกเข้าที่สนิท โดยจะได้ยินเสียงดังคลิกเบาๆ หากไม่เช่นนั้น แบตเตอรี่อาจร่วงหล่นออกจากเครื่องมืออย่างไม่ตั้งใจและทำให้คุณหรือบุคคลอื่นที่อยู่รอบๆ ได้รับบาดเจ็บ
- อย่าใช้แรงดันในขณะที่ใส่ตัวแบตเตอรี่ หากตัวแบตเตอรี่เลื่อนเข้าไปได้ลำบาก อาจเป็นเพราะมีการใส่แบตเตอรี่ไม่ถูกต้อง

ระบบป้องกันแบตเตอรี่

เครื่องมือนี้มาพร้อมกับระบบป้องกันแบตเตอรี่ ซึ่งจะตัดไฟเข้ามอเตอร์โดยอัตโนมัติเพื่อหยุดแบตเตอรี่ เครื่องมืออาจหยุดลงระหว่างการทำงาน เมื่อเครื่องมือและ/หรือแบตเตอรี่อยู่ภายใต้สถานการณ์ต่อไปนี้:

- ทำงานหนักเกินกำลัง: เครื่องมือถูกใช้งานในลักษณะที่ก่อให้เกิดการดึงกระแสไฟฟ้าสูงผิดปกติ ในสถานการณ์นี้ ปล่อยให้สวิตช์บนเครื่องมือแล้วหยุดการใช้งานที่ทำให้เครื่องมือต้องทำงานหนักเกินกำลัง จากนั้นตั้งสวิตช์อีกครั้งเพื่อเริ่มการทำงานใหม่
- แรงดันแบตเตอรี่ต่ำ:

ความจุแบตเตอรี่เหลืออยู่น้อยเกินไป และเครื่องมือจะไม่ทำงาน หากคุณตั้งสวิตช์ มอเตอร์จะทำงานอีกครั้งแต่จะ

หยุดลงอย่างรวดเร็ว ในสถานการณ์นี้ ให้ถอดและเปลี่ยนแบตเตอรี่

การทำงานของสวิตช์ (ภาพที่ 3)

⚠️ ข้อควรระวัง:

- ก่อนใส่ตัวแบตเตอรี่เข้าไปในเครื่องมือ ให้ตรวจสอบทุกครั้งว่าคันโยก/ไกสวิตช์ทำงานปกติและกลับมาสู่ตำแหน่ง "OFF" เมื่อปล่อย

เพื่อป้องกันไม่ให้เกิดคันโยก/ไกสวิตช์ถูกดึงอย่างไม่ตั้งใจ จึงมีการติดตั้งปุ่ม/คันล็อกคอปเอาไว้

ในการเริ่มต้นใช้งานเครื่องมือ ให้ดึงคันโยก/ไกสวิตช์

- สำหรับคันโยกสวิตช์ ดึงคันล็อกคอปแล้วดึงคันโยกสวิตช์เพื่อเริ่มต้นการทำงาน
- สำหรับไกสวิตช์ กดปุ่มล็อกคอปแล้วดึงไกสวิตช์เพื่อเริ่มต้นการทำงาน คุณสามารถกดปุ่มล็อกคอปได้จากด้านบนขวาหรือด้านซ้าย

ความเร็วของเครื่องจะเพิ่มขึ้นเมื่อเพิ่มแรงกดที่คันโยก/ไกสวิตช์ ปล่อยให้คันโยก/ไกสวิตช์เพื่อหยุดการทำงาน

หมายเหตุ:

อย่าดึงคันโยก/ไกสวิตช์อย่างรุนแรงโดยไม่ดึงคันปุ่มล็อกคอป เพราะอาจทำให้สวิตช์แตกหักได้

การเปิดไฟด้านหน้า (ภาพที่ 4)

⚠️ ข้อควรระวัง:

- อย่ามองเข้าไปในแสงไฟหรือแหล่งกำเนิดแสงไฟโดยตรง ดึงคันโยก/ไกสวิตช์เพื่อเปิดไฟสัญญาณ ไฟสัญญาณจะยังคงติดอยู่ในขณะที่ดึงคันโยก/ไกสวิตช์

ชิ้นส่วนของเครื่อง

⚠️ ข้อควรระวัง:

- ตรวจสอบว่าเปิดสวิตช์เครื่องและถอดตัวแบตเตอรี่ออกเสมอ ก่อนที่จะใช้งานใดๆ กับเครื่อง

การประกอบหรือการนำไปเชื่อมต่อ

⚠️ ข้อควรระวัง:

- ทำความสะอาดเศษชิ้นงานหรือหรือวัตถุแปลกปลอมทั้งหมดที่ติดอยู่กับใบเลื่อย ตัวจับใบเลื่อย และ/หรือตัวเลื่อน การไม่กระทำดังกล่าวอาจทำให้การขันยึดใบเลื่อยไม่แน่นพอซึ่งส่งผลทำให้ผู้ใช้ได้รับบาดเจ็บสาหัส

สำหรับรุ่น JR100D (ภาพที่ 5)

ใส่ใบเลื่อยสำหรับเลื่อยแนวประสมลงเข้าไปข้างในตัวยึดใบเลื่อยจนสุด เมื่อประกอบหุ้มตัวจับใบเลื่อยหมุน และใบเลื่อยจะถูกล็อกตายตัว ตรวจสอบว่าไม่สามารถใบเลื่อยดึงใบเลื่อยออกมาได้ แม้ว่าคุณจะพยายามดึงมันออกก็ตาม

⚠️ ข้อควรระวัง:

- หากคุณไม่เสียใบเลื่อยเข้าไปลึกพอ ใบเลื่อยอาจจะลื่นหลุดออกมาอย่างไม่คาดคิดระหว่างการทำงาน ซึ่งเป็นอันตรายอย่างมาก

หมายเหตุ:

- คุณไม่สามารถใช้ใบเลื่อยจุกกับรุ่น JR100D (ภาพที่ 6) ในการถอดใบเลื่อย ให้หมุนกระบอกหุ้มตัวจับใบเลื่อยไปตามทิศทางของลูกศรจนสุด เมื่อใบเลื่อยถูกถอดออก กระบอกหุ้มตัวจับใบเลื่อยจะถูกล็อกตายตัวที่ตำแหน่งที่ถูกคลายออก

หมายเหตุ:

- หากคุณถอดใบเลื่อยออกโดยไม่หมุนกระบอกหุ้มตัวจับใบเลื่อยจนสุด กระบอกหุ้มจะไม่ถูกล็อกตายตัว ในกรณีนี้ ให้หมุนกระบอกหุ้มตัวจับใบเลื่อยจนสุด จากนั้นให้จัดกระบอกหุ้มให้อยู่ในตำแหน่งที่ถูกคลายออก

สำหรับรุ่น JR102D

ในการใส่ใบเลื่อย ให้คลายเกลียวโบลต์ด้วยประแจหกเหลี่ยม เมื่อใส่ใบเลื่อยสำหรับเลื่อยอนเนกประสงค์ ให้ใช้ประแจหกเหลี่ยมโบลต์ไว้ เพื่อเปิดช่องในระหว่างที่สอดใบเลื่อย (ภาพที่ 7 & 8)

คุณสามารถใช้ได้ทั้งใบเลื่อยฉลุ (ไทป์ B) และใบเลื่อยสำหรับเลื่อยอนเนกประสงค์ ขึ้นอยู่กับลักษณะงานของคุณ ใส่ใบเลื่อยเข้าไปในตัวยึดใบเลื่อยแล้วขันให้แน่นด้วยประแจหกเหลี่ยมดึงใบเลื่อยเบาๆ เพื่อให้แน่ใจว่าใบเลื่อยจะไม่หลุดออกในระหว่างการปฏิบัติงาน

ในการถอดใบเลื่อยออก ให้ปฏิบัติตามกับขั้นตอนการประกอบ (ภาพที่ 9 & 10)

ที่จับเก็บประแจหกเหลี่ยม (ภาพที่ 11)

เก็บประแจหกเหลี่ยมเมื่อไม่ใช่ ประแจจะถูกยึดไว้ด้วยพินล๊อคเพื่อป้องกันการสูญหายดังแสดงในภาพ

การทำงาน (ภาพที่ 12)

⚠️ ข้อควรระวัง:

- กดตัวกันให้แนบสนิทกับชิ้นงานทุกครั้งระหว่างการทำงาน หากตัวกันอยู่ห่างจากชิ้นงานระหว่างการทำงาน อาจทำให้เกิดการสั่นสะเทือนอย่างรุนแรง และ/หรือเกิดการบิดตัว ทำให้ใบเลื่อยอาจแตกหักซึ่งก่อให้เกิดอันตรายได้
- สวมถุงมือทุกครั้งเพื่อป้องกันมือของคุณจากเศษชิ้นงานที่มีความร้อนที่กระเด็นออกมาเมื่อทำการตัดโลหะ
- สวมใส่แว่นป้องกันที่เหมาะสมซึ่งมีคุณสมบัติตรงตามมาตรฐานระดับชาติที่กำหนดใช้ในปัจจุบันทุกครั้ง
- ใช้สารหล่อเย็น (น้ำมันตัดกลึง) ที่เหมาะสมเมื่อทำการตัดโลหะเสมอ การไม่ปฏิบัติตามจะทำให้ใบเลื่อยเกิดการสึกหรอก่อนกำหนด

กดตัวกันให้แนบสนิทกับชิ้นงาน อย่าให้เครื่องมือกระเด็นไปมา จัดใบเลื่อยให้ค่อยๆ สัมผัสกับชิ้นงาน ชั้นแรก ให้ทำร่องเพื่อนำร่องก่อนโดยใช้ความเร็วในระดับต่ำ

จากนั้นจึงใช้ความเร็วสูงขึ้นเพื่อทำการตัดต่อไป (ภาพที่ 13 & 14)

- คุณสามารถใช้ได้ทั้งคันโยกหรือโกสวิตช์ ขึ้นอยู่กับลักษณะงานของคุณ

หมายเหตุ:

- หากมีการใช้งานเครื่องมือเนื่องจนกระทั่งดับแบบเดือรี่ คายประจออกจนหมด ให้พักเครื่องมือทิ้งไว้ประมาณ 15 นาทีก่อนที่จะใช้งานเครื่องด้วยแบตเตอรี่ใหม่

การดูแลรักษา

⚠️ ข้อควรระวัง:

- ตรวจสอบว่าปิดสวิตช์เครื่องและถอดดัลล์แบตเตอรี่ออกแล้ว ก่อนทำการตรวจสอบหรือดูแลรักษาเครื่อง
- อย่าใช้น้ำมันเชื้อเพลิง เบนซิน ทินเนอร์ แอลกอฮอล์ หรือวัสดุประเภทเดียวกัน เพราะอาจทำให้เครื่องมือมีสีซีดจาง ผิดรูปทรงหรือแตกหักได้

เพื่อดูแลให้ผลิตภัณฑ์มีความปลอดภัยและใช้วางใจได้ ควรนำส่งผลิตภัณฑ์ให้แก่อุปกรณ์บริการที่ได้รับอนุญาตของ Makita ดำเนินการซ่อมแซม ดูแลรักษา หรือเปลี่ยนอะไหล่ และใช้อะไหล่แท้ของ Makita เท่านั้น

อุปกรณ์เสริม

⚠️ ข้อควรระวัง:

- ขอแนะนำให้อุปกรณ์เสริมหรือส่วนประกอบเหล่านี้กับเครื่องมือ Makita ของคุณตามที่ระบุในคู่มือนี้ การใช้อุปกรณ์เสริมหรือส่วนประกอบอื่นอาจทำให้ผู้ใช้ได้รับบาดเจ็บ ใช้อุปกรณ์เสริมหรือส่วนประกอบตามที่ระบุไว้เท่านั้น

หากคุณต้องการทราบรายละเอียดเพิ่มเติมเกี่ยวกับอุปกรณ์เสริมดังกล่าว โปรดสอบถามศูนย์บริการของ Makita ในพื้นที่ของคุณ

- ใบเลื่อยสำหรับเลื่อยอนเนกประสงค์
- ใบเลื่อยฉลุ (สำหรับรุ่น JR102D เท่านั้น)
- แบตเตอรี่และแท่นชาร์จของแท้ของ Makita
- กล้องบรรจพลาสติค

หมายเหตุ:

- อุปกรณ์เสริมบางรายการอาจเป็นอุปกรณ์เสริมมาตรฐานที่รวมอยู่ในชุดเครื่องมือแล้ว ทั้งนี้ อาจมีความแตกต่างกันในแต่ละประเทศ

Makita Corporation
3-11-8, Sumiyoshi-cho,
Anjo, Aichi 446-8502 Japan

885069D370

www.makita.com

ALA