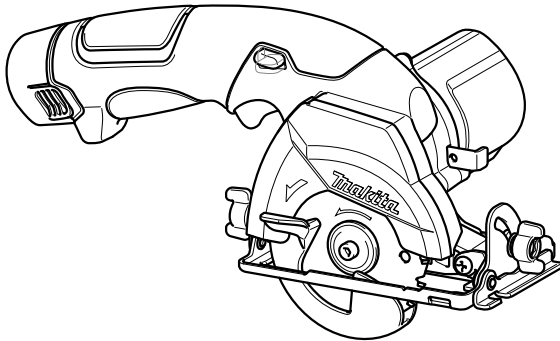




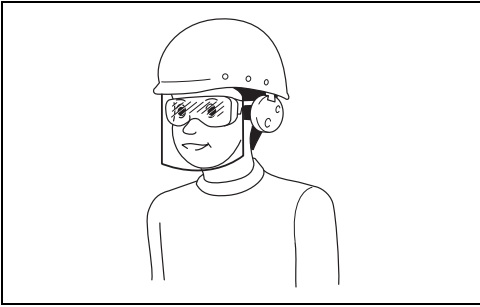
GB	Cordless Circular Saw	Instruction manual
ID	Gergaji Bundar Nirkabel	Petunjuk penggunaan
VI	Máy Cưa Đĩa Cầm Tay Hoạt Động Bằng Pin	Tài liệu hướng dẫn
TH	เครื่องเลื่อยวงเดือนไร้สาย	คู่มือการใช้งาน

HS300D



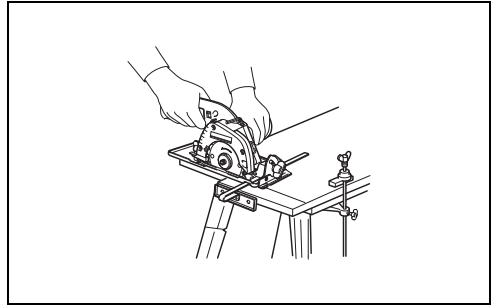
011325





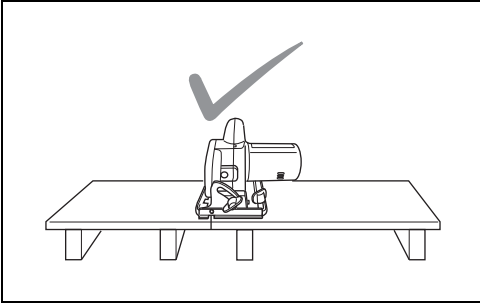
1

000114



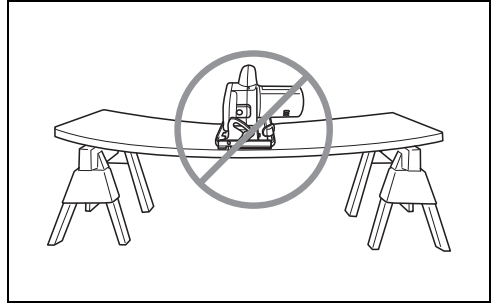
2

1005801



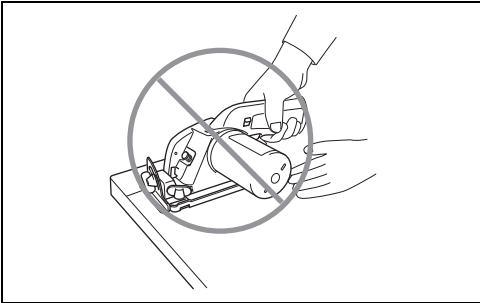
3

1005802



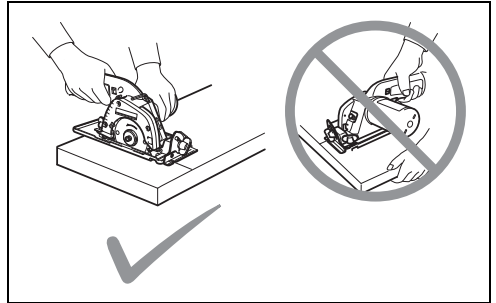
4

1005803



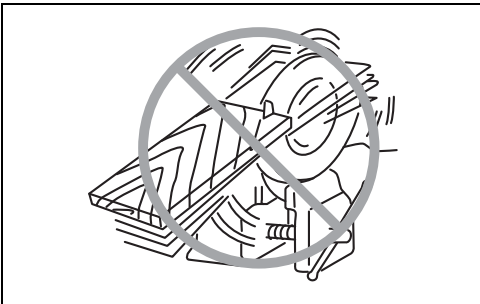
5

1005804



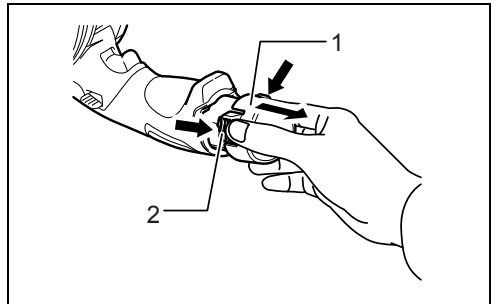
6

1005805



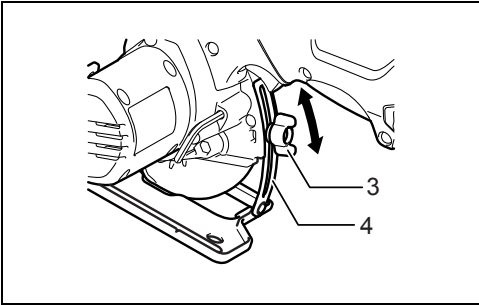
7

011397



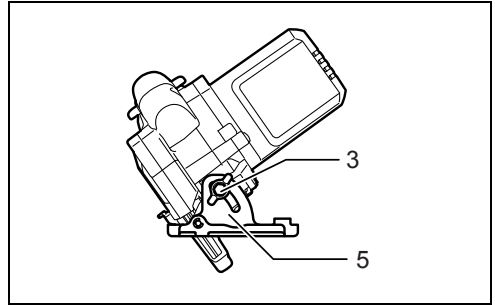
8

011326



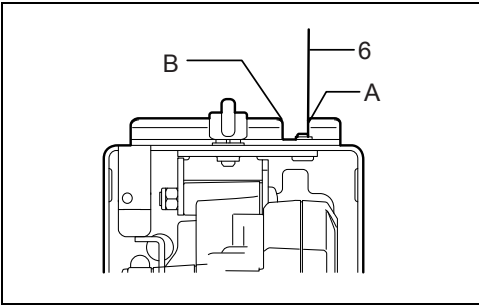
9

011327



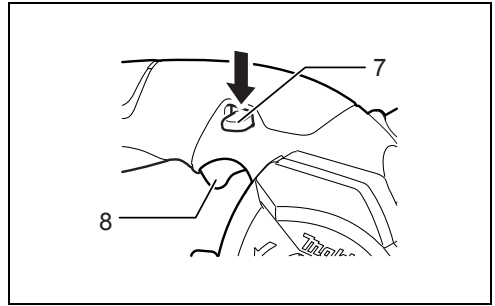
10

011374



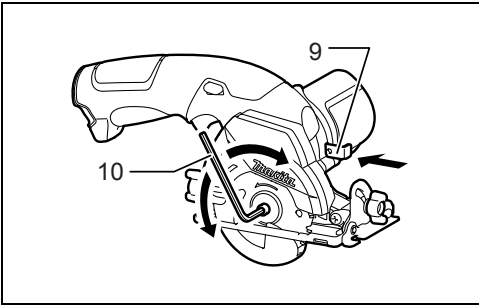
11

011328



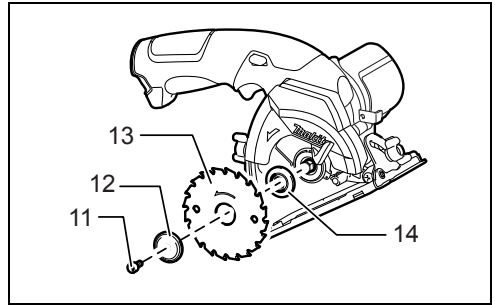
12

011329



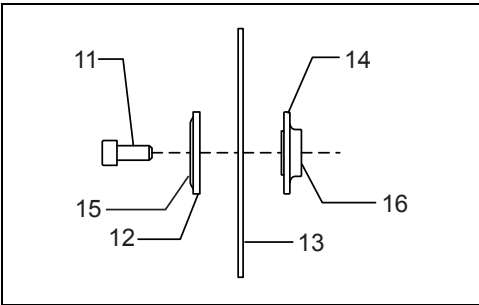
13

011330



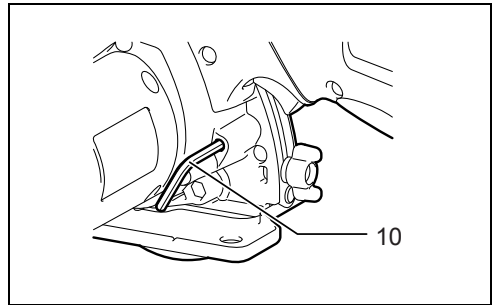
14

011331



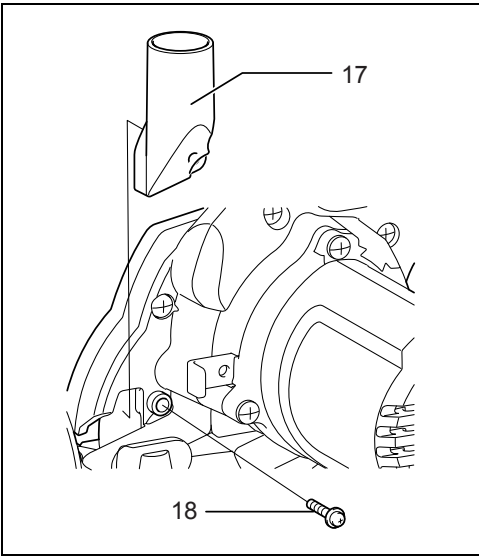
15

011386



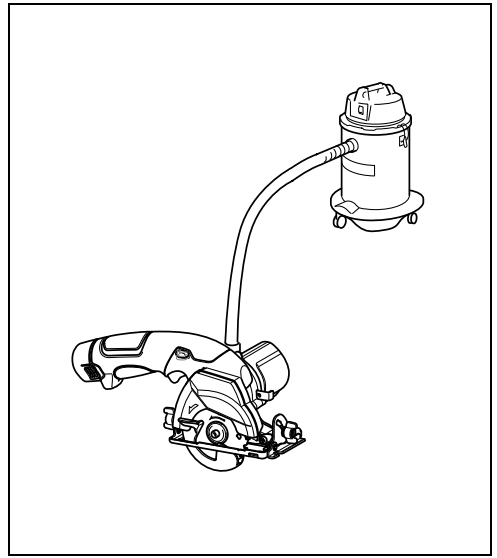
16

011332



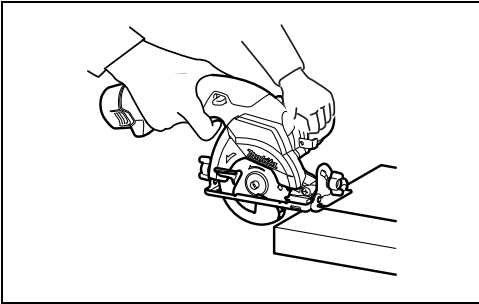
17

011404



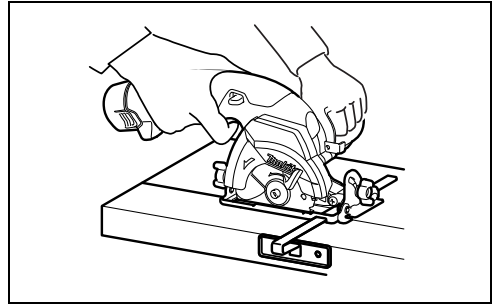
18

011359



19

011333



20

011334

ENGLISH (Original instructions)

Explanation of general view

- | | | |
|----------------------|-------------------|------------------------------|
| 1. Battery cartridge | 7. Lock-off lever | 13. Saw blade |
| 2. Button | 8. Switch trigger | 14. Inner flange |
| 3. Clamping screw | 9. Shaft lock | 15. Protrusion |
| 4. Depth guide | 10. Hex wrench | 16. Protrusion (bigger side) |
| 5. Bevel scale plate | 11. Hex bolt | 17. Dust nozzle (accessory) |
| 6. Cutting line | 12. Outer flange | 18. Screw |

SPECIFICATIONS

Model		HS300D
Blade diameter		85 mm
Max. Cutting depth	at 90°	25.5 mm
	at 45°	16.5 mm
No load speed (min ⁻¹)		1,400
Overall length		300 mm
Net weight		1.5 kg
Rated voltage		D.C. 10.8 V

- Due to our continuing program of research and development, the specifications herein are subject to change without notice.
- Specifications may differ from country to country.
- Weight, with battery cartridge, according to EPTA-Procedure 01/2014

Applicable battery cartridge and charger

Battery cartridge	BL1013
Charger	DC10WA

- Some of the battery cartridges and chargers listed above may not be available depending on your region of residence.

WARNING:

- **Only use the battery cartridges and chargers listed above.** Use of any other battery cartridges and chargers may cause injury and/or fire.

Symbols

ENE004-6

The following show the symbols used for the equipment. Be sure that you understand their meaning before use.



... Read instruction manual.


Intended use

ENE028-1

The tool is intended for performing lengthways and crossways straight cuts and mitre cuts with angles in wood while in firm contact with the workpiece.

GENERAL POWER TOOL SAFETY WARNINGS

GEA013-2

 **WARNING:** Read all safety warnings, instructions, illustrations and specifications provided with this power tool. Failure to follow all instructions listed below may result in electric shock, fire and/or serious injury.

Save all warnings and instructions for future reference.

The term "power tool" in the warnings refers to your mains-operated (corded) power tool or battery-operated (cordless) power tool.

Work area safety

1. **Keep work area clean and well lit.** Cluttered or dark areas invite accidents.
2. **Do not operate power tools in explosive atmospheres, such as in the presence of flammable liquids, gases or dust.** Power tools create sparks which may ignite the dust or fumes.
3. **Keep children and bystanders away while operating a power tool.** Distractions can cause you to lose control.

Electrical Safety

1. **Power tool plugs must match the outlet. Never modify the plug in any way. Do not use any adapter plugs with earthed (grounded) power tools.** Unmodified plugs and matching outlets will reduce risk of electric shock.
2. **Avoid body contact with earthed or grounded surfaces, such as pipes, radiators, ranges and**

refrigerators. There is an increased risk of electric shock if your body is earthed or grounded.

3. **Do not expose power tools to rain or wet conditions.** Water entering a power tool will increase the risk of electric shock.
4. **Do not abuse the cord. Never use the cord for carrying, pulling or unplugging the power tool. Keep cord away from heat, oil, sharp edges or moving parts.** Damaged or entangled cords increase the risk of electric shock.
5. **When operating a power tool outdoors, use an extension cord suitable for outdoor use.** Use of a cord suitable for outdoor use reduces the risk of electric shock.
6. **If operating a power tool in a damp location is unavoidable, use a residual current device (RCD) protected supply.** Use of an RCD reduces the risk of electric shock.
7. **Power tools can produce electromagnetic fields (EMF) that are not harmful to the user.** However, users of pacemakers and other similar medical devices should contact the maker of their device and/ or doctor for advice before operating this power tool.

Personal Safety

1. **Stay alert, watch what you are doing and use common sense when operating a power tool. Do not use a power tool while you are tired or under the influence of drugs, alcohol or medication.** A moment of inattention while operating power tools may result in serious personal injury.
2. **Use personal protective equipment. Always wear eye protection.** Protective equipment such as a dust mask, non-skid safety shoes, hard hat or hearing protection used for appropriate conditions will reduce personal injuries.
3. **Prevent unintentional starting. Ensure the switch is in the off-position before connecting to power source and/or battery pack, picking up or carrying the tool.** Carrying power tools with your finger on the switch or energising power tools that have the switch on invites accidents.
4. **Remove any adjusting key or wrench before turning the power tool on.** A wrench or a key left attached to a rotating part of the power tool may result in personal injury.
5. **Do not overreach. Keep proper footing and balance at all times.** This enables better control of the power tool in unexpected situations.
6. **Dress properly. Do not wear loose clothing or jewellery. Keep your hair and clothing away from moving parts.** Loose clothes, jewellery or long hair can be caught in moving parts.
7. **If devices are provided for the connection of dust extraction and collection facilities, ensure these are connected and properly used.** Use of dust collection can reduce dust-related hazards.
8. **Do not let familiarity gained from frequent use of tools allow you to become complacent and ignore tool safety principles.** A careless action can cause severe injury within a fraction of a second.
9. **Always wear protective goggles to protect your eyes from injury when using power tools.** The goggles must comply with ANSI Z87.1 in the USA, EN 166 in Europe, or AS/NZS 1336 in Australia/

New Zealand. In Australia/New Zealand, it is legally required to wear a face shield to protect your face, too. (Fig. 1)

It is an employer's responsibility to enforce the use of appropriate safety protective equipments by the tool operators and by other persons in the immediate working area.

Power tool use and care

1. **Do not force the power tool. Use the correct power tool for your application.** The correct power tool will do the job better and safer at the rate for which it was designed.
2. **Do not use the power tool if the switch does not turn it on and off.** Any power tool that cannot be controlled with the switch is dangerous and must be repaired.
3. **Disconnect the plug from the power source and/or remove the battery pack, if detachable, from the power tool before making any adjustments, changing accessories, or storing power tools.** Such preventive safety measures reduce the risk of starting the power tool accidentally.
4. **Store idle power tools out of the reach of children and do not allow persons unfamiliar with the power tool or these instructions to operate the power tool.** Power tools are dangerous in the hands of untrained users.
5. **Maintain power tools and accessories. Check for misalignment or binding of moving parts, breakage of parts and any other condition that may affect the power tool's operation. If damaged, have the power tool repaired before use.** Many accidents are caused by poorly maintained power tools.
6. **Keep cutting tools sharp and clean.** Properly maintained cutting tools with sharp cutting edges are less likely to bind and are easier to control.
7. **Use the power tool, accessories and tool bits etc. in accordance with these instructions, taking into account the working conditions and the work to be performed.** Use of the power tool for operations different from those intended could result in a hazardous situation.
8. **Keep handles and grasping surfaces dry, clean and free from oil and grease.** Slippery handles and grasping surfaces do not allow for safe handling and control of the tool in unexpected situations.
9. **When using the tool, do not wear cloth work gloves which may be entangled.** The entanglement of cloth work gloves in the moving parts may result in personal injury.

Battery tool use and care

1. **Recharge only with the charger specified by the manufacturer.** A charger that is suitable for one type of battery pack may create a risk of fire when used with another battery pack.
2. **Use power tools only with specifically designated battery packs.** Use of any other battery packs may create a risk of injury and fire.
3. **When battery pack is not in use, keep it away from other metal objects, like paper clips, coins, keys, nails, screws or other small metal objects, that can make a connection from one terminal to**

another. Shorting the battery terminals together may cause burns or a fire.

- Under abusive conditions, liquid may be ejected from the battery; avoid contact. If contact accidentally occurs, flush with water. If liquid contacts eyes, additionally seek medical help.**
Liquid ejected from the battery may cause irritation or burns.
- Do not use a battery pack or tool that is damaged or modified.** Damaged or modified batteries may exhibit unpredictable behaviour resulting in fire, explosion or risk of injury.
- Do not expose a battery pack or tool to fire or excessive temperature.** Exposure to fire or temperature above 130 °C may cause explosion.
- Follow all charging instructions and do not charge the battery pack or tool outside the temperature range specified in the instructions.** Charging improperly or at temperatures outside the specified range may damage the battery and increase the risk of fire.

Service

- Have your power tool serviced by a qualified repair person using only identical replacement parts.** This will ensure that the safety of the power tool is maintained.
- Never service damaged battery packs.** Service of battery packs should only be performed by the manufacturer or authorized service providers.
- Follow instruction for lubricating and changing accessories.**

CORDLESS CIRCULAR SAW SAFETY WARNINGS

GEB151-1

Cutting procedures

- ⚠ DANGER: Keep hands away from cutting area and the blade. Keep your second hand on auxiliary handle, or motor housing.** If both hands are holding the saw, they cannot be cut by the blade.
- Do not reach underneath the workpiece.** The guard cannot protect you from the blade below the workpiece.
- Adjust the cutting depth to the thickness of the workpiece.** Less than a full tooth of the blade teeth should be visible below the workpiece.
- Never hold the workpiece in your hands or across your leg while cutting. Secure the workpiece to a stable platform.** It is important to support the work properly to minimise body exposure, blade binding, or loss of control. (Fig. 2)
- Hold the power tool by insulated gripping surfaces, when performing an operation where the cutting tool may contact hidden wiring or its own cord.** Contact with a "live" wire will also make exposed metal parts of the power tool "live" and could give the operator an electric shock.
- When ripping, always use a rip fence or straight edge guide.** This improves the accuracy of cut and reduces the chance of blade binding.
- Always use blades with correct size and shape (diamond versus round) of arbour holes.** Blades

that do not match the mounting hardware of the saw will run off-centre, causing loss of control.

- Never use damaged or incorrect blade washers or bolt.** The blade washers and bolt were specially designed for your saw, for optimum performance and safety of operation.

Kickback causes and related warnings

- kickback is a sudden reaction to a pinched, jammed or misaligned saw blade, causing an uncontrolled saw to lift up and out of the workpiece toward the operator;
- when the blade is pinched or jammed tightly by the kerf closing down, the blade stalls and the motor reaction drives the unit rapidly back toward the operator;
- if the blade becomes twisted or misaligned in the cut, the teeth at the back edge of the blade can dig into the top surface of the wood causing the blade to climb out of the kerf and jump back toward the operator.

Kickback is the result of saw misuse and/or incorrect operating procedures or conditions and can be avoided by taking proper precautions as given below.

- Maintain a firm grip with both hands on the saw and position your arms to resist kickback forces. Position your body to either side of the blade, but not in line with the blade.** Kickback could cause the saw to jump backwards, but kickback forces can be controlled by the operator, if proper precautions are taken.
- When blade is binding, or when interrupting a cut for any reason, release the trigger and hold the saw motionless in the material until the blade comes to a complete stop. Never attempt to remove the saw from the work or pull the saw backward while the blade is in motion or kickback may occur.** Investigate and take corrective actions to eliminate the cause of blade binding.
- When restarting a saw in the workpiece, centre the saw blade in the kerf so that the saw teeth are not engaged into the material.** If a saw blade binds, it may walk up or kickback from the workpiece as the saw is restarted.
- Support large panels to minimise the risk of blade pinching and kickback.** Large panels tend to sag under their own weight. Supports must be placed under the panel on both sides, near the line of cut and near the edge of the panel. (Fig. 3 & 4)
- Do not use dull or damaged blades.** Unsharpened or improperly set blades produce narrow kerf causing excessive friction, blade binding and kickback.
- Blade depth and bevel adjusting locking levers must be tight and secure before making the cut.** If blade adjustment shifts while cutting, it may cause binding and kickback.
- Use extra caution when sawing into existing walls or other blind areas.** The protruding blade may cut objects that can cause kickback.
- ALWAYS hold the tool firmly with both hands. NEVER place your hand, leg or any part of your body under the tool base or behind the saw, especially when making cross-cuts.** If kickback occurs, the saw could easily jump backwards over your hand, leading to serious personal injury. (Fig. 5)
- Never force the saw. Push the saw forward at a speed so that the blade cuts without slowing.**

Forcing the saw can cause uneven cuts, loss of accuracy, and possible kickback.

Lower guard function


1. **Check the lower guard for proper closing before each use. Do not operate the saw if the lower guard does not move freely and close instantly. Never clamp or tie the lower guard into the open position.** If the saw is accidentally dropped, the lower guard may be bent. Raise the lower guard with the retracting handle and make sure it moves freely and does not touch the blade or any other part, in all angles and depths of cut.
2. **Check the operation of the lower guard spring. If the guard and the spring are not operating properly, they must be serviced before use.** Lower guard may operate sluggishly due to damaged parts, gummy deposits, or a build-up of debris.
3. **The lower guard may be retracted manually only for special cuts such as “plunge cuts” and “compound cuts”.** Raise the lower guard by the retracting handle and as soon as the blade enters the material, the lower guard must be released. For all other sawing, the lower guard should operate automatically.
4. **Always observe that the lower guard is covering the blade before placing the saw down on bench or floor.** An unprotected, coasting blade will cause the saw to walk backwards, cutting whatever is in its path. Be aware of the time it takes for the blade to stop after switch is released.
5. **To check lower guard, open lower guard by hand, then release and watch guard closure. Also check to see that retracting handle does not touch tool housing.** Leaving blade exposed is VERY DANGEROUS and can lead to serious personal injury.

Additional safety warnings

1. **Use extra caution when cutting damp wood, pressure treated lumber, or wood containing knots.** Maintain smooth advancement of tool without decrease in blade speed to avoid overheating the blade tips.
2. **Do not attempt to remove cut material when blade is moving. Wait until blade stops before grasping cut material.** Blades coast after turn off.
3. **Avoid cutting nails. Inspect for and remove all nails from lumber before cutting.**
4. **Place the wider portion of the saw base on that part of the workpiece which is solidly supported, not on the section that will fall off when the cut is made. If the workpiece is short or small, clamp it down. DO NOT TRY TO HOLD SHORT PIECES BY HAND! (Fig. 6)**
5. **Before setting the tool down after completing a cut, be sure that the guard has closed and the blade has come to a complete stop.**
6. **Never attempt to saw with the circular saw held upside down in a vise. This is extremely dangerous and can lead to serious accidents. (Fig. 7)**
7. **Some material contains chemicals which may be toxic. Take caution to prevent dust inhalation and skin contact. Follow material supplier safety data.**

8. **Do not stop the blades by lateral pressure on the saw blade.**
9. **Do not use any abrasive wheels.**
10. **Only use the saw blade with the diameter that is marked on the tool or specified in the manual.** Use of an incorrectly sized blade may affect the proper guarding of the blade or guard operation which could result in serious personal injury.
11. **Keep blade sharp and clean.** Gum and wood pitch hardened on blades slows saw and increases potential for kickback. Keep blade clean by first removing it from tool, then cleaning it with gum and pitch remover, hot water or kerosene. Never use gasoline.
12. **Wear a dust mask and hearing protection when use the tool.**
13. **Always use the saw blade intended for cutting the material that you are going to cut.**
14. **Only use the saw blades that are marked with a speed equal or higher than the speed marked on the tool.**
15. **(For European countries only)**
Always use the blade which conforms to EN847-1.

SAVE THESE INSTRUCTIONS.

 **WARNING: DO NOT** let comfort or familiarity with product (gained from repeated use) replace strict adherence to safety rules for the subject product. **MISUSE** or failure to follow the safety rules stated in this instruction manual may cause serious personal injury.

IMPORTANT SAFETY INSTRUCTIONS FOR BATTERY CARTRIDGE

ENC009-5

1. **Before using battery cartridge, read all instructions and cautionary markings on (1) battery charger, (2) battery, and (3) product using battery.**
2. **Do not disassemble battery cartridge.**
3. **If operating time has become excessively shorter, stop operating immediately. It may result in a risk of overheating, possible burns and even an explosion.**
4. **If electrolyte gets into your eyes, rinse them out with clear water and seek medical attention right away. It may result in loss of your eyesight.**
5. **Do not short the battery cartridge:**
 - (1) **Do not touch the terminals with any conductive material.**
 - (2) **Avoid storing battery cartridge in a container with other metal objects such as nails, coins, etc.**
 - (3) **Do not expose battery cartridge to water or rain.**

A battery short can cause a large current flow, overheating, possible burns and even a breakdown.
6. **Do not store the tool and battery cartridge in locations where the temperature may reach or exceed 50 °C (122 °F).**

7. **Do not incinerate the battery cartridge even if it is severely damaged or is completely worn out. The battery cartridge can explode in a fire.**
8. **Be careful not to drop or strike battery.**
9. **Do not use a damaged battery.**
10. **The contained lithium-ion batteries are subject to the Dangerous Goods Legislation requirements.**
For commercial transports e.g. by third parties, forwarding agents, special requirement on packaging and labeling must be observed.
For preparation of the item being shipped, consulting an expert for hazardous material is required. Please also observe possibly more detailed national regulations.
Tape or mask off open contacts and pack up the battery in such a manner that it cannot move around in the packaging.
11. **Follow your local regulations relating to disposal of battery.**
12. **Use the batteries only with the products specified by Makita.** Installing the batteries to non-compliant products may result in a fire, excessive heat, explosion, or leak of electrolyte.

SAVE THESE INSTRUCTIONS.

⚠ CAUTION: Only use genuine Makita batteries. Use of non-genuine Makita batteries, or batteries that have been altered, may result in the battery bursting causing fires, personal injury and damage. It will also void the Makita warranty for the Makita tool and charger.

Tips for maintaining maximum battery life

1. **Charge the battery cartridge before completely discharged. Always stop tool operation and charge the battery cartridge when you notice less tool power.**
2. **Never recharge a fully charged battery cartridge. Overcharging shortens the battery service life.**
3. **Charge the battery cartridge with room temperature at 10 °C - 40 °C (50 °F - 104 °F). Let a hot battery cartridge cool down before charging it.**

FUNCTIONAL DESCRIPTION

⚠ CAUTION:

- Always be sure that the tool is switched off and the battery cartridge is removed before adjusting or checking function on the tool.

Installing or removing battery cartridge (Fig. 8)

⚠ CAUTION:

- Always switch off the tool before installing or removing of the battery cartridge.
- **Hold the tool and the battery cartridge firmly when installing or removing battery cartridge.** Failure to hold the tool and the battery cartridge firmly may cause them to slip off your hands and result in damage to the tool and battery cartridge and a personal injury.

To remove the battery cartridge, withdraw it from the tool while pressing the buttons on both sides of the cartridge.

To install the battery cartridge, hold it so that the battery cartridge front shape fits to that of the battery installment opening and slip it into place. Insert it all the way until it locks in place with a little click.

⚠ CAUTION:

- Always insert the battery cartridge all the way until it locks in place. If not, it may accidentally fall out of the tool, causing injury to you or someone around you.
- Do not install the battery cartridge forcibly. If the cartridge does not slide in easily, it is not being inserted correctly.

Battery protection system

The tool is equipped with a battery protection system. This system automatically cuts off power to the motor to extend battery life.

The tool will automatically stop during operation if the tool and/or battery are placed under one of the following conditions:

- **Overloaded:**
The tool is operated in a manner that causes it to draw an abnormally high current.
In this situation, release the switch trigger on the tool and stop the application that caused the tool to become overloaded. Then pull the switch trigger again to restart.
- **Low battery voltage:**
The remaining battery capacity is too low and the tool will not operate. If you pull the switch trigger, the motor runs again but stops soon. In this situation, remove and recharge the battery.

Adjusting depth of cut (Fig. 9)

⚠ CAUTION:

- After adjusting the depth of cut, always tighten the clamping screw securely.

Loosen the clamping screw on the depth guide and move the base up or down. At the desired depth of cut, secure the base by tightening the clamping screw.

For cleaner, safer cuts, set cut depth so that no more than one blade tooth projects below workpiece. Using proper cut depth helps to reduce potential for dangerous KICKBACKS which can cause personal injury.

Bevel cutting (Fig. 10)

Loosen the clamping screw on the bevel scale plate on the front of the base. Set for the desired angle (0° - 45°) by tilting accordingly, then tighten the clamping screw securely.

Sighting (Fig. 11)

For straight cuts, align the A position on the front of the base with your cutting line. For 45° bevel cuts, align the B position with it.

Switch action (Fig. 12)

⚠ CAUTION:

- Before inserting the battery cartridge into the tool, always check to see that the switch trigger actuates properly and returns to the "OFF" position when released.

- Do not pull the switch trigger hard without pressing the lock-off lever. This can cause switch breakage.

To prevent the switch trigger from being accidentally pulled, a lock-off lever is provided. To start the tool, slide the lock-off lever and pull the switch trigger. Release the switch trigger to stop.

WARNING:

- For your safety, this tool is equipped with lock-off lever which prevents the tool from unintended starting. NEVER use the tool if it runs when you simply pull the switch trigger without pressing the lock-off lever. Return tool a MAKITA service center for proper repairs BEFORE further usage.
- NEVER tape down or defeat purpose and function of lock-off lever.

ASSEMBLY

CAUTION:

- Always be sure that the tool is switched off and the battery cartridge is removed before carrying out any work on the tool.

Removing or installing saw blade (Fig. 13)

CAUTION:

- Be sure the blade is installed with teeth pointing up at the front of the tool.
- Use only the Makita wrench to install or remove the blade.

To remove the blade, press the shaft lock fully so that the blade cannot revolve and use the wrench to loosen the hex bolt counterclockwise. Then remove the hex bolt, outer flange and blade. (Fig. 14)

To install the blade, follow the removal procedure in reverse. BE SURE TO TIGHTEN THE HEX BOLT CLOCKWISE SECURELY. (Fig. 15)

NOTE:

- If an inner flange is removed by chance, install the inner flange so that its protrusion (bigger side) faces inside as shown in the figure.

When changing blade, make sure to also clean upper and lower blade guards of accumulated sawdust. Such efforts do not, however, replace the need to check lower guard operation before each use.

Hex wrench storage (Fig. 16)

When not in use, store the hex wrench as shown in the figure to keep it from being lost.

Connecting a vacuum cleaner

Optional accessory (Fig. 17 & 18)

When you wish to perform clean cutting operation, connect a Makita vacuum cleaner to your tool. Install the dust nozzle (accessory) on the tool using the screw. Then connect a hose of the vacuum cleaner to the dust nozzle as shown in the figure.

OPERATION

CAUTION:

- Be sure to move the tool forward in a straight line gently. Forcing or twisting the tool will result in

overheating the motor and dangerous kickback, possibly causing severe injury.

NOTE:

- When the battery cartridge temperature is low, the tool may not work to its full capacity.
- At this time, for example, use the tool for a light-duty cut for a while until the battery cartridge warms up as high as room temperature. Then, the tool can work to its full capacity. (Fig. 19)

Hold the tool firmly. The tool is provided with both a front grip (motor housing) and rear handle. Use both to best grasp the tool. If both hands are holding saw, they cannot be cut by the blade. Set the base on the workpiece to be cut without the blade making any contact. Then turn the tool on and wait until the blade attains full speed. Now simply move the tool forward over the workpiece surface, keeping it flat and advancing smoothly until the sawing is completed.

To get clean cuts, keep your sawing line straight and your speed of advance uniform. If the cut fails to properly follow your intended cut line, do not attempt to turn or force the tool back to the cut line. Doing so may bind the blade and lead to dangerous kickback and possible serious injury. Release switch, wait for blade to stop and then withdraw tool. Realign tool on new cut line, and start cut again. Attempt to avoid positioning which exposes operator to chips and wood dust being ejected from saw. Use eye protection to help avoid injury.

Rip fence (Guide rule) (optional accessory) (Fig. 20)

The handy rip fence allows you to do extra-accurate straight cuts. Simply slide the rip fence up snugly against the side of the workpiece and secure it in position with the screw on the front of the base. It also makes repeated cuts of uniform width possible.

MAINTENANCE

CAUTION:

- Always be sure that the tool is switched off and the battery cartridge is removed before attempting to perform inspection or maintenance.
- Never use gasoline, benzene, thinner, alcohol or the like. Discoloration, deformation or cracks may result. To maintain product SAFETY and RELIABILITY, repairs, any other maintenance or adjustment should be performed by Makita Authorized Service Centers, always using Makita replacement parts.

OPTIONAL ACCESSORIES

CAUTION:

- These accessories or attachments are recommended for use with your Makita tool specified in this manual. The use of any other accessories or attachments might present a risk of injury to persons. Only use accessory or attachment for its stated purpose.

If you need any assistance for more details regarding these accessories, ask your local Makita Service Center.

- Saw blades
- Rip fence (Guide rule)
- Hex wrench 4

- Dust nozzle
- Makita genuine battery and charger

NOTE:

- Some items in the list may be included in the tool package as standard accessories. They may differ from country to country.

BAHASA INDONESIA (Petunjuk asli)

Penjelasan gambaran umum

- | | | |
|----------------------------|--------------------|--------------------------------------|
| 1. Kartrid baterai | 7. Tuas kunci-mati | 13. Roda gergaji |
| 2. Tombol | 8. Picu sakelar | 14. Flensa dalam |
| 3. Sekrup klem | 9. Kunci poros | 15. Tonjolan |
| 4. Pemandu kedalaman | 10. Kunci heksa | 16. Tonjolan (sisi yang lebih besar) |
| 5. Pelat skala penyerongan | 11. Baut heksa | 17. Nozel debu (aksesori) |
| 6. Garis pemotongan | 12. Flensa luar | 18. Sekrup |

SPESIFIKASI

Model		HS300D
Diameter roda gergaji		85 mm
Kedalaman Pemotongan maks.	pada sudut 90°	25,5 mm
	pada sudut 45°	16,5 mm
Kecepatan tanpa beban (men ⁻¹)		1.400
Panjang keseluruhan		300 mm
Berat bersih		1,5 kg
Tegangan yang sesuai		D.C. 10,8 V

- Karena kesinambungan program penelitian dan pengembangan kami, spesifikasi yang disebutkan di sini dapat berubah tanpa pemberitahuan.
- Spesifikasi dapat berbeda dari satu negara ke negara lainnya.
- Berat, dengan kartrid baterai, menurut Prosedur EPTA 01/2014

Kartrid baterai dan pengisi baterai yang sesuai

Kartrid baterai	BL1013
Pengisi baterai	DC10WA

- Beberapa kartrid baterai dan pengisi baterai yang disebutkan di atas mungkin tidak tersedia tergantung pada kawasan tempat tinggal Anda.

PERINGATAN:

- **Hanya gunakan kartrid baterai dan pengisi baterai yang disebutkan di atas.** Penggunaan kartrid baterai dan pengisi baterai yang lain dapat menyebabkan cedera/atau kebakaran.

Simbol-simbol END004-6

Berikut ini adalah simbol-simbol yang digunakan pada mesin ini. Pastikan Anda mengerti makna masing-masing simbol sebelum menggunakan mesin ini.




... Baca petunjuk penggunaan.

Maksud penggunaan ENE028-1

Mesin ini dimaksudkan untuk melakukan pemotongan lurus dan adu manis secara memanjang dan melintang dengan sudut tertentu pada kayu sambil menempelkannya dengan kuat pada benda kerja.

PERINGATAN KESELAMATAN UMUM MESIN LISTRIK GEA013-2

 **PERINGATAN:** Bacalah semua peringatan keselamatan, petunjuk, ilustrasi dan spesifikasi yang disertakan bersama mesin listrik ini. Kelalaian untuk mematuhi semua petunjuk yang tercantum di bawah

ini dapat menyebabkan sengatan listrik, kebakaran dan/atau cedera serius.

Simpanlah semua peringatan dan petunjuk untuk acuan di masa depan.

Istilah "mesin listrik" dalam semua peringatan mengacu pada mesin listrik yang dijalankan dengan sumber listrik jala-jala (berkabel) atau baterai (tanpa kabel).

Keselamatan tempat kerja

1. **Jaga tempat kerja selalu bersih dan berpenyerangan cukup.** Tempat kerja yang berantakan dan gelap mengundang kecelakaan.
2. **Jangan gunakan mesin listrik dalam lingkungan yang mudah meledak, misalnya jika ada cairan, gas, atau debu yang mudah menyala.** Mesin listrik menimbulkan bunga api yang dapat menyala debu atau uap tersebut.
3. **Jauhkan anak-anak dan orang lain saat menggunakan mesin listrik.** Bila perhatian terpecah, anda dapat kehilangan kendali.

Keamanan Kelistrikan

1. **Steker mesin listrik harus cocok dengan stopkontak.** Jangan sekali-kali mengubah steker

dengan cara apa pun. Jangan menggunakan steker adaptor dengan mesin listrik terbumi (dibumikan). Steker yang tidak diubah dan stopkontak yang cocok akan mengurangi risiko sengatan listrik.

2. **Hindari sentuhan tubuh dengan permukaan terbumi atau yang dibumikan seperti pipa, radiator, kompor, dan kulkas.** Risiko sengatan listrik bertambah jika tubuh Anda terbumikan atau dibumikan.
3. **Jangan membiarkan mesin listrik keuhujan atau kebasahan.** Air yang masuk ke dalam mesin listrik akan meningkatkan risiko sengatan listrik.
4. **Jangan menyalahgunakan kabel. Jangan sekali-kali menggunakan kabel untuk membawa, menarik, atau mencabut mesin listrik dari stopkontak. Jauhkan kabel dari panas, minyak, tepian tajam, atau bagian yang bergerak.** Kabel yang rusak atau kusut memperbesar risiko sengatan listrik.
5. **Bila menggunakan mesin listrik di luar ruangan, gunakan kabel ekstensi yang sesuai untuk penggunaan di luar ruangan.** Penggunaan kabel yang sesuai untuk penggunaan luar ruangan mengurangi risiko sengatan listrik.
6. **Jika mengoperasikan mesin listrik di lokasi lembap tidak terhindarkan, gunakan pasokan daya yang dilindungi peranti imbasan arus (residual current device - RCD).** Penggunaan RCD mengurangi risiko sengatan listrik.
7. **Mesin listrik dapat menghasilkan medan magnet (EMF) yang tidak berbahaya bagi pengguna.** Namun, pengguna alat pacu jantung atau peralatan medis sejenisnya harus berkonsultasi dengan produsen peralatan tersebut dan/atau dokter mereka sebelum mengoperasikan mesin listrik ini.

Keselamatan Diri

1. **Jaga kewaspadaan, perhatikan pekerjaan Anda dan gunakan akal sehat bila menggunakan mesin listrik. Jangan menggunakan mesin listrik saat Anda lelah atau di bawah pengaruh obat bius, alkohol, atau obat.** Sekejap saja lalai saat menggunakan mesin listrik dapat menyebabkan cedera badan serius.
2. **Gunakan alat pelindung diri. Selalu gunakan pelindung mata.** Peralatan pelindung seperti masker debu, sepatu pengaman anti-selip, helm pengaman, atau pelindung telinga yang digunakan untuk kondisi yang sesuai akan mengurangi risiko cedera badan.
3. **Cegah penyalaaan yang tidak disengaja. Pastikan bahwa sakelar berada dalam posisi mati (off) sebelum menghubungkan mesin ke sumber daya dan/atau paket baterai, atau mengangkat atau membawanya.** Membawa mesin listrik dengan jari Anda pada sakelarnya atau mengalirkan listrik pada mesin listrik yang sakelarnya hidup (on) akan mengundang kecelakaan.
4. **Lepaskan kunci-kunci penyetel sebelum menghidupkan mesin listrik.** Kunci-kunci yang masih terpasang pada bagian mesin listrik yang berputar dapat menyebabkan cedera.
5. **Jangan meraih terlalu jauh. Jagalah pijakan dan keseimbangan sepanjang waktu.** Hal ini

memungkinkan kendali yang lebih baik atas mesin listrik dalam situasi yang tidak diharapkan.

6. **Kenakan pakaian yang memadai. Jangan memakai pakaian yang longgar atau perhiasan. Jaga jarak antara rambut dan pakaian Anda dengan komponen mesin yang bergerak.** Pakaian yang longgar, perhiasan, atau rambut yang panjang dapat tersangkut pada komponen yang bergerak.
7. **Jika tersedia fasilitas untuk menghisap dan mengumpulkan debu, pastikan fasilitas tersebut terhubung listrik dan digunakan dengan baik.** Penggunaan pembersih debu dapat mengurangi bahaya yang terkait dengan debu.
8. **Jangan sampai Anda lengah dan mengabaikan prinsip keselamatan mesin ini hanya karena sudah sering mengoperasikannya dan sudah merasa terbiasa.** Tindakan yang lalai dapat menyebabkan cedera berat dalam sepersekian detik saja.
9. **Selalu kenakan kacamata pelindung untuk melindungi mata dari cedera saat menggunakan mesin listrik. Kacamata harus sesuai dengan ANSI Z87.1 di Amerika Serikat, EN 166 di Eropa, atau AS/NZS 1336 di Australia/Selandia Baru. Di Australia/Selandia Baru, secara hukum Anda juga diwajibkan mengenakan pelindung wajah untuk melindungi wajah Anda. (Gb. 1)** Menjadi tanggung jawab atasan untuk menerapkan penggunaan alat pelindung keselamatan yang tepat bagi operator mesin dan orang lain yang berada di area kerja saat itu.

Penggunaan dan pemeliharaan mesin listrik

1. **Jangan memaksa mesin listrik. Gunakan mesin listrik yang tepat untuk keperluan Anda.** Mesin listrik yang tepat akan menuntaskan pekerjaan dengan lebih baik dan aman pada kecepatan sesuai rancangannya.
2. **Jaga gunakan mesin listrik jika sakelar tidak dapat menyalakan dan mematikannya.** Mesin listrik yang tidak dapat dikendalikan dengan sakelarnya adalah berbahaya dan harus diperbaiki.
3. **Cabut steker dari sumber listrik dan/atau lepas paket baterai, jika dapat dilepas, dari mesin listrik sebelum melakukan penyetelan apa pun, mengganti aksesori, atau menyimpan mesin listrik.** Langkah keselamatan preventif tersebut mengurangi risiko hidupnya mesin secara tak sengaja.
4. **Simpan mesin listrik jauh dari jangkauan anak-anak dan jangan biarkan orang yang tidak paham mengenai mesin listrik tersebut atau petunjuk ini menggunakan mesin listrik.** Mesin listrik sangat berbahaya di tangan pengguna yang tak terlatih.
5. **Rawatlah mesin listrik dan aksesori. Periksa apakah ada komponen bergerak yang tidak lurus atau macet, komponen yang pecah, dan kondisi-kondisi lain yang dapat memengaruhi pengoperasian mesin listrik. Jika rusak, perbaiki mesin listrik terlebih dahulu sebelum digunakan.** Banyak kecelakaan disebabkan oleh kurangnya pemeliharaan mesin listrik.
6. **Jaga agar mesin pemotong tetap tajam dan bersih.** Mesin pemotong yang terawat baik dengan mata

pemotong yang tajam tidak mudah macet dan lebih mudah dikendalikan.

7. **Gunakan mesin listrik, aksesoris, dan mata mesin, dll. sesuai dengan petunjuk ini, dengan memperhitungkan kondisi kerja dan jenis pekerjaan yang dilakukan.** Penggunaan mesin listrik untuk penggunaan yang lain dari peruntukan dapat menimbulkan situasi berbahaya.
8. **Jagalah agar gagang dan permukaan pegangan tetap kering, bersih, dan bebas dari minyak dan pelumas.** Gagang dan permukaan pegangan yang licin tidak mendukung keamanan penanganan dan pengendalian mesin dalam situasi-situasi tak terduga.
9. **Ketika menggunakan mesin, jangan menggunakan sarung tangan kain yang dapat tersangkut.** Sarung tangan kain yang tersangkut pada komponen bergerak dapat mengakibatkan cedera pada pengguna.

Penggunaan dan pemeliharaan mesin bertena- gaji baterai

1. **Isi ulang baterai hanya dengan pengisi daya yang ditentukan oleh pabrikan.** Pengisi daya yang cocok untuk satu jenis paket baterai dapat menimbulkan risiko kebakaran ketika digunakan untuk paket baterai yang lain.
2. **Gunakan mesin listrik hanya dengan paket baterai yang telah ditentukan secara khusus.** Penggunaan paket baterai lain dapat menimbulkan risiko cedera dan kebakaran.
3. **Ketika paket baterai tidak digunakan, jauhkan dari benda logam lain, seperti penjepit kertas, uang logam, kunci, paku, sekrup atau benda logam kecil lainnya, yang dapat menghubungkan satu terminal ke terminal lain.** Hubungan singkat terminal baterai dapat menyebabkan luka bakar atau kebakaran.
4. **Pemakaian yang salah, dapat menyebabkan keluarnya cairan dari baterai; hindari kontak.** Jika terjadi kontak secara tidak sengaja, bilas dengan air. Jika cairan mengenai mata, cari bantuan medis. Cairan yang keluar dari baterai bisa menyebabkan iritasi atau luka bakar.
5. **Jangan menggunakan paket baterai atau mesin yang sudah rusak atau telah diubah.** Baterai yang rusak atau telah diubah dapat menyebabkan hal-hal yang tidak dapat diprediksi yang dapat menyebabkan kebakaran, ledakan atau risiko cedera.
6. **Jangan membiarkan paket baterai atau mesin dekat dengan api atau suhu yang berlebihan.** Pajanan api atau suhu di atas 130 °C dapat menyebabkan ledakan.
7. **Ikuti semua petunjuk pengisian daya dan jangan mengisi daya paket baterai atau mesin di luar rentang suhu yang ditentukan di panduan.** Mengisi daya secara tidak tepat atau pada suhu di luar rentang yang ditentukan dapat merusak baterai dan meningkatkan risiko kebakaran.

Servis

1. **Berikan mesin listrik untuk diperbaiki hanya kepada orang teknisi yang berkualifikasi dengan menggunakan hanya suku cadang pengganti yang serupa.** Hal ini akan menjamin terjaganya keamanan mesin listrik.

2. **Jangan pernah memperbaiki paket baterai yang sudah rusak.** Perbaikan paket baterai harus dilakukan hanya oleh produsen atau penyedia servis resmi.
3. **Patuhi petunjuk pelumasan dan penggantian aksesoris.**

PERINGATAN KESELAMATAN GERGAJI BUNDAK NIRKABEL

GEB151-1

Prosedur pemotongan

1. **⚠ BAHAYA: Jauhkan tangan dari area pemotongan dan mata pisau. Jaga tangan kedua Anda pada pegangan tambahan, atau tempat motor mesin berada.** Kedua tangan tidak akan terpotong mata pisau jika keduanya memegang gergaji.
2. **Jangan meraih bagian bawah benda kerja.** Pelindung tidak dapat melindungi Anda dari mata pisau yang ada di bawah benda kerja.
3. **Setel kedalaman pemotongan terhadap ketebalan benda kerja.** Sebagian gigi mata pisau harus terlihat di bawah benda kerja.
4. **Jangan pernah memegang benda kerja dengan meletakkannya dalam genggaman tangan atau jepitan kaki Anda. Pastikan benda kerja berada pada platform yang stabil.** Sangat penting untuk menunjang pekerjaan dengan benar untuk meminimalkan tubuh terparap, mata pisau terikat, atau kehilangan kontrol. **(Gb. 2)**
5. **Pegang mesin pada permukaan genggaman yang terinsulasi saat melakukan pekerjaan yang memiliki kemungkinan alat pemotong bersentuhan dengan kabel yang tersembunyi atau kabel mesin tersebut.** Sentuhan kawat "hidup" dapat menyebabkan bagian logam pada mesin teraliri arus listrik dan menyangat pengguna.
6. **Saat membelah, selalu gunakan pagar pembelah atau petunjuk tepi lurus.** Hal ini meningkatkan akurasi potongan dan mengurangi kemungkinan terikatnya mata pisau.
7. **Selalu gunakan mata pisau dengan ukuran dan bentuk yang tepat (bentuk berlian atau lingkaran) dari lubang lengkung.** Mata pisau yang tidak sesuai untuk dipasang pada perangkat keras gergaji jika digunakan akan melenceng dari pusatnya sehingga mengakibatkan kehilangan kontrol.
8. **Jangan pernah gunakan cincin mata pisau atau baut yang salah.** Cincin mata pisau dan baut dirancang secara khusus untuk gergaji Anda, untuk kinerja yang optimal dan keselamatan pengoperasian.

Penyebab hentakan balik dan peringatan terkait

- hentakan balik adalah reaksi mendadak dari mata gergaji yang terjepit, tersangkut atau tidak sejajar, menyebabkan gergaji yang tidak terkontrol mungkin terangkat dan keluar dari benda kerja ke arah operator;
- saat mata pisau terjepit atau tersangkut kuat oleh goresan tertutup, mata pisau berhenti bergerak dan reaksi motor menggerakkan unit dengan cepat ke arah operator;
- jika mata pisau terikat atau tidak sejajar pada potongan, gigi pada tepi belakang mata pisau dapat menggali ke permukaan atas kayu menyebabkan mata

pisau keluar naik dari goresan dan melompat kembali ke arah operator.

Hentikan balik merupakan akibat dari salah cara menggunakan gergaji dan/atau prosedur atau kondisi pengoperasian yang salah dan dapat dihindari dengan melakukan tindakan kewaspadaan yang tepat sebagaimana diuraikan di bawah ini.

1. **Pertahankan pegangan yang kuat pada gergaji dengan kedua tangan dan posisikan lengan Anda untuk menahan kekuatan balik. Posisikan tubuh Anda di sisi mata pisau, bukan sejajar dengan mata pisau.** Hentikan balik dapat menyebabkan gergaji melompat ke belakang, namun kekuatan hentikan balik dapat dikontrol oleh operator, jika dilakukan tindakan pencegahan yang tepat.
2. **Saat mata pisau terikat, atau saat menyela pemotongan, lepaskan picu dan pegang gergaji tidak bergerak dalam bahan kerja sampai mata pisau benar-benar berhenti. Jangan pernah mencoba melepas gergaji dari pekerjaan atau menarik gergaji ke belakang saat mata pisau bergerak, jika tidak, akan terjadi hentikan balik.** Periksa dan ambil tindakan yang tepat untuk menyingkirkan penyebab terikatnya mata pisau.
3. **Saat memulai ulang gergaji pada benda kerja, pusatkan mata gergaji di goresan sehingga gigi gergaji tidak tersangkut pada benda kerja.** Jika mata gergaji tersangkut, maka mata gergaji mungkin keluar atau menyentak balik dari benda kerja saat gergaji dimulai ulang.
4. **Tunjang panel besar untuk meminimalkan risiko mata pisau terjepit dan terhentak balik.** Panel besar cenderung melengkung karena beratnya. Penunjang harus ditempatkan di bawah panel pada kedua sisi, dekat garis pemotongan dan tepi panel. (Gb. 3 & 4)
5. **Jangan gunakan mata pisau yang tumpul atau rusak.** Set mata pisau yang tidak diasah atau tidak tepat dapat menghasilkan goresan yang tipis yang dapat menyebabkan gesekan berlebih, terikatnya mata pisau dan hentikan balik.
6. **Ketajaman mata pisau dan tuas pengunci penyetel sudut harus kencang dan aman sebelum pemotongan.** Apabila penyetelan mata pisau bergeser saat memotong, hal ini dapat menyebabkan mata pisau terikat dan terhentak balik.
7. **Berhati-hatilah saat menggergaji dinding atau area buta lain.** Mata pisau yang mencuat dapat memotong objek yang dapat menyebabkan hentikan balik.
8. **SELALU pegang mesin kuat-kuat dengan kedua tangan. JANGAN PERNAH letakkan tangan, kaki atau bagian tubuh Anda di bawah dudukan mesin atau di belakang gergaji, terutama saat membuat potongan menyilang.** Apabila terjadi hentikan balik, gergaji dapat dengan mudah melompat ke belakang tangan, dan mengakibatkan cedera serius. (Gb. 5)
9. **Jangan sekali-kali menekan gergaji. Dorong gergaji ke depan dengan satu kecepatan sehingga mata pisau memotong tanpa melambat.** Menekan gergaji dapat menyebabkan potongan yang tidak merata, tidak adanya akurasi, dan kemungkinan terjadinya hentikan balik.

Fungsi pelindung

1. **Periksa apakah pelindung bagian bawah tertutup dengan baik setiap kali akan digunakan. Jangan**

mengoperasikan gergaji jika pelindung bagian bawah tidak bergerak bebas dan menutup dengan cepat. Jangan pernah menjepit atau mengikat pelindung bagian bawah ke posisi terbuka. Jika gergaji terjut dengan tidak sengaja, pelindung bagian bawah dapat bengkok. Naikkan pelindung bagian bawah menggunakan pegangan penarik dan pastikan pelindung bergerak bebas dan tidak menyentuh mata pisau atau bagian lain, dalam semua sudut dan kedalaman potongan.

2. **Periksa pengoperasian pegas pelindung bagian bawah. Jika pelindung dan pegas tidak beroperasi dengan benar, maka pelindung dan pegas harus diservis sebelum digunakan.** Pelindung bagian bawah dapat beroperasi dengan lambat karena ada bagian yang rusak, lapisan yang lengket, atau serpihan.
3. **Pelindung bagian bawah dapat ditarik secara manual hanya untuk pemotongan khusus seperti “potongan plunje” dan “potongan campuran”.** Naikkan pelindung bagian bawah menggunakan pegangan penarik, dan pelindung bagian bawah harus dilepas segera setelah mata pisau memasuki material. Untuk semua penggergajian lainnya, pelindung bagian bawah harus beroperasi secara otomatis.
4. **Selalu perhatikan apakah pelindung bagian bawah menutupi mata pisau sebelum menempatkan gergaji pada bangku atau lantai.** Mata pisau yang tidak terlindungi dan meluncur akan menyebabkan gergaji berjalan mundur, memotong apa saja yang ada di jalurnya. Perhatikanlah waktu yang diperlukan mata pisau untuk berhenti setelah sakelar dilepas.
5. **Untuk memeriksa pelindung bagian bawah, buka pelindung bawah dengan tangan lalu lepas dan perhatikan penutupan pelindung.** Periksa juga untuk melihat apakah pegangan penarik tidak menyentuh rumah mesin. Membiarkan mata pisau terbuka adalah hal yang SANGAT BERBAHAYA dan dapat menyebabkan cedera serius.

Peringatan keselamatan tambahan

1. **Berhati-hatilah saat memotong kayu yang basah, kayu balok, atau kayu yang mengandung mata kayu.** Pertahankan laju mesin yang halus tanpa mengurangi kecepatan mata pisau untuk menghindari panas berlebih pada ujung mata pisau.
2. **Jangan mencoba menghilangkan material pemotongan saat mata pisau bergerak. Tunggu sampai mata pisau berhenti sebelum memegang material pemotongan.** Mata pisau meluncur setelah dimatikan.
3. **Hindari memotong paku. Periksa dan buang semua paku dari kayu sebelum pengoperasian.**
4. **Tempatkan bagian yang lebih besar dari dudukan gergaji pada bagian benda kerja yang disokong dengan kuat, bukan pada bagian yang akan jatuh saat pemotongan. Jepit benda kerja jika berukuran kecil atau pendek. JANGAN MENCoba MEMEGANG BAGIAN YANG PENDEK DENGAN TANGAN! (Gb. 6)**
5. **Sebelum menyetel mesin setelah menyelesaikan satu potongan, pastikan pelindung telah tertutup dan mata pisau telah benar-benar berhenti.**

6. Jangan pernah mencoba menggergaji dengan gergaji bundar yang dipasang terbalik pada ragum. Hal ini sangat berbahaya dan dapat mengakibatkan kecelakaan serius. (Gb. 7)
7. Bahan tertentu mengandung zat kimia yang mungkin beracun. Hindari menghirup debu dan persentuhan dengan kulit. Ikuti data keselamatan bahan dari pemasok.
8. Jangan menghentikan mata pisau dengan tekanan lateral pada mata gergaji.
9. Jangan gunakan roda ampelas apa pun.
10. Gunakan hanya mata gergaji dengan diameter yang ditandai pada mesin atau ditentukan dalam petunjuk. Menggunakan mata pisau dengan ukuran yang salah akan memengaruhi perlindungan mata pisau atau pengoperasian pelindung yang dapat mengakibatkan cedera serius.
11. Jaga mata pisau tetap tajam dan bersih. Getah dan ter kayu yang mengeras pada mata pisau memperlambat gergaji dan meningkatkan risiko terjadinya hentakan balik. Jaga agar mata pisau tetap bersih dengan melepasnya terlebih dahulu dari mesin, lalu membersihkannya dengan penghilang getah dan ter, air panas atau kerosin. Jangan pernah gunakan bensin.
12. Gunakan masker debu dan pelindung telinga saat menggunakan mesin.
13. Selalu gunakan mata gergaji yang khusus digunakan untuk memotong material yang Anda inginkan.
14. Hanya gunakan mata gergaji dengan kecepatan yang sama atau lebih tinggi dari kecepatan yang tertera pada mesin.
15. (Hanya untuk negara-negara Eropa)
Gunakan hanya mata pisau yang sesuai dengan EN847-1.
4. Jika elektrolit mengenai mata Anda, basuh dengan air bersih dan segera cari pertolongan medis. Hal tersebut dapat mengakibatkan hilangnya kemampuan penglihatan Anda.
5. Jangan menghubungkan terminal kartrid baterai:
 - (1) Jangan menyentuhkan terminal dengan bahan penghantar listrik apa pun.
 - (2) Hindari menyimpan kartrid baterai pada wadah yang berisi benda logam lain seperti paku, uang logam, dsb.
 - (3) Jangan membiarkan baterai terkena air atau kehujanan.

Hubungan singkat baterai dapat menyebabkan aliran arus listrik yang besar, panas berlebih, kemungkinan mengalami luka bakar dan bahkan kerusakan pada baterai.
6. Jangan menyimpan mesin dan kartrid baterai pada lokasi dengan suhu yang bisa mencapai atau melebihi 50 °C.
7. Jangan membuang kartrid baterai di tempat pembakaran sampah walaupun benar-benar rusak atau tidak bisa digunakan sama sekali. Kartrid baterai bisa meledak jika terbakar.
8. Berhati-hatilah jangan sampai baterai jatuh atau terbentur.
9. Jangan menggunakan baterai yang rusak.
10. Baterai litium-ion yang disertakan sesuai dengan persyaratan Perundangan Makanan Berbahaya. Harus ada pengawasan untuk pengangkutan komersial misalnya oleh pihak ketiga, ekspeditor, persyaratan khusus terhadap pengemasan dan pelabelan.

SIMPAN PETUNJUK INI.

⚠ PERINGATAN: JANGAN biarkan kenyamanan atau terbiasanya Anda dengan produk (karena penggunaan berulang) mengurangi kepatuhan yang ketat terhadap aturan keselamatan untuk produk yang terkait. **PENYALAHGUNAAN** atau kelalaian mematuhi kaidah keselamatan yang tertera dalam petunjuk ini dapat menyebabkan cedera badan serius.

PETUNJUK KESELAMATAN PENTING UNTUK KARTRID BATERAI

ENC009-5

1. Sebelum menggunakan kartrid baterai, bacalah semua petunjuk dan penandaan pada (1) pengisi daya baterai, (2) baterai, dan (3) produk yang menggunakan baterai.
2. Jangan membongkar kartrid baterai.
3. Jika waktu beroperasinya menjadi sangat singkat, segera hentikan penggunaan. Hal tersebut dapat menimbulkan risiko panas berlebih, kemungkinan mengalami luka bakar atau bahkan terjadi ledakan.

11. Patuhi peraturan setempat yang berkaitan dengan pembuangan baterai.
12. Gunakan baterai hanya dengan produk yang ditentukan oleh Makita. Memasang baterai pada produk yang tidak sesuai dapat menyebabkan kebakaran, kelebihan panas, ledakan, atau kebocoran elektrolit.

SIMPAN PETUNJUK INI.

⚠ PERHATIAN: Gunakan baterai asli Makita. Penggunaan baterai Makita yang tidak asli, atau baterai yang sudah diubah, akan mengakibatkan baterai mudah terbakar, cedera dan kerusakan. Akan menghilangkan garansi Makita pada pengisi daya dan alat Makita.

Tip untuk menjaga agar umur pemakaian baterai maksimum

1. Isi ulang kartrid baterai sebelum habis sama sekali. Selalu hentikan penggunaan mesin dan ganti kartrid baterai jika Anda melihat bahwa mesin kurang tenaga.
2. Jangan pernah mengisi ulang kartrid baterai yang sudah diisi penuh. Pengisian ulang yang berlebih memperpendek umur pemakaian baterai.

3. Isi ulang kartrid baterai pada suhu ruangan 10 °C - 40 °C. Biarkan kartrid baterai yang panas menjadi dingin terlebih dahulu sebelum diisi ulang.

DESKRIPSI FUNGSIONAL

⚠ PERHATIAN:

- Selalu pastikan bahwa mesin dalam keadaan mati dan kartrid baterainya telah dilepas sebelum menyatel atau memeriksa fungsi mesin.

Memasang atau melepas kartrid baterai (Gb. 8)

⚠ PERHATIAN:

- Selalu matikan mesin sebelum memasang atau melepas kartrid baterainya.
- **Pegang mesin dan kartrid baterai kuat-kuat saat memasang atau melepaskan kartrid baterai.** Bila tidak dipegang dengan kuat, mesin dan kartrid baterai dapat terlepas dari tangan Anda dan menyebabkan kerusakan pada mesin dan kartrid baterai serta cedera.

Untuk mengeluarkan kartrid baterai, tariklah kartrid dari mesin sambil menekan tombol-tombol pada kedua sisinya.

Untuk memasang kartrid baterai, pegang dan paskan bagian depan kartrid baterai dengan lubang pemasangan baterai dan doronglah masuk ke tempatnya. Masukkan kartrid sepenuhnya sampai terkunci di tempatnya yang ditandai dengan suara klik pelan.

⚠ PERHATIAN:

- Selalu masukkan kartrid baterai sepenuhnya sampai terkunci di tempatnya yang ditandai dengan suara klik. Jika tidak, komponen ini dapat terlepas dan jatuh dari mesin, sehingga menyebabkan cedera pada Anda atau orang lain di sekitar Anda.
- Jangan memasang kartrid baterai secara paksa. Jika kartrid tidak dapat meluncur masuk dengan mudah, berarti posisi memasukkannya belum tepat.

Sistem perlindungan baterai

Mesin ini dilengkapi dengan sistem perlindungan baterai. Sistem ini secara otomatis memutus aliran daya ke motor untuk memperpanjang usia pakai baterai.

Mesin akan secara otomatis berhenti beroperasi jika mesin dan/atau baterainya berada dalam salah satu keadaan berikut ini:

- Kelebihan beban:
 - Mesin dioperasikan dengan cara yang membuatnya menyedot arus yang luar biasa besar. Dalam keadaan ini, lepaskan picu sakelar mesin dan hentikan pemakaian yang menyebabkan mesin kelebihan beban. Kemudian tarik picu sakelar lagi untuk menjalankan mesin kembali.
- Tegangan baterai rendah:
 - Kapasitas baterai yang tersisa terlalu sedikit dan mesin tidak mau beroperasi. Jika Anda menarik picu sakelar, motor berjalan lagi tetapi segera mati. Dalam keadaan ini, lepaskan dan isi kembali (cas) baterainya.

Menyetel kedalaman pemotongan (Gb. 9)

⚠ PERHATIAN:

- Setelah menyetel kedalaman pemotongan, selalu kencangkan sekrup klem kuat-kuat.

Kendurkan sekrup klem pada pemandu kedalaman dan gerakkan alas naik atau turun. Pada kedalaman pemotongan yang diinginkan, amankan alas dengan mengencangkan sekrup klem.

Untuk pemotongan yang lebih bersih dan lebih aman, setel kedalaman pemotongan sehingga tidak lebih dari satu gigi gergaji penuh akan menjorok di bawah benda kerja. Menggunakan kedalaman pemotongan yang tepat akan membantu mengurangi potensi terjadinya TENDANGAN-BALIK yang berbahaya dan dapat menyebabkan cedera.

Pemotongan serong (Gb. 10)

Kendurkan sekrup klem pada pelat skala penyerongan di depan alas. Setel ke sudut yang diinginkan (0° - 45°) dengan memiringkannya, kemudian kencangkan sekrup klem ini kuat-kuat.

Pelurusan (pembidikan) garis potong (Gb. 11)

Untuk pemotongan lurus, luruskan posisi A di bagian depan alas dengan garis pemotongan. Untuk pemotongan serong 45°, luruskan posisi B dengannya.

KERJA SAKELAR (Gb. 12)

⚠ PERHATIAN:

- Sebelum memasukkan kartrid baterai ke dalam mesin, selalu pastikan bahwa picu sakelar bekerja dengan baik dan kembali ke posisi "OFF" (MATI) saat dilepaskan.

- Jangan menarik picu sakelar kuat-kuat tanpa menekan tuas kunci-mati. Ini dapat menyebabkan sakelar pecah.

Untuk mencegah picu sakelar tertarik secara tidak disengaja, disediakan tuas kunci-mati. Untuk menjalankan mesin, geser tuas kunci-mati dan tarik picu sakelar. Lepaskan picu sakelar untuk menghentikan.

⚠ PERINGATAN:

- Demi keselamatan Anda, mesin ini dilengkapi dengan tuas kunci-mati yang mencegah mesin terhidupkan secara tidak sengaja. JANGAN SEKALI-KALI menggunakan mesin jika mesin dapat dihidupkan hanya dengan menarik picu sakelarnya tanpa menekan tuas kunci-mati. Kembalikan mesin ke pusat servis MAKITA untuk diperbaiki dengan benar SEBELUM digunakan.

- JANGAN SEKALI-KALI memplester atau menonaktifkan tujuan dan fungsi tuas kunci-mati.

PERAKITAN

⚠ PERHATIAN:

- Selalu pastikan bahwa mesin dalam keadaan mati dan kartrid baterainya dilepas sebelum melakukan pekerjaan apa pun pada mesin.

Melepas atau memasang roda gergaji (Gb. 13)

⚠️ PERHATIAN:

- Pastikan bahwa roda gergaji terpasang dengan gigi-gigi mengarah ke depan mesin.
- Gunakan hanya kunci Makita untuk memasang atau melepas roda gergaji.

Untuk melepas roda gergaji, tekan kunci poros sepenuhnya sehingga roda gergaji tidak dapat berputar dan gunakan kunci untuk mengendurkan baut heksa berlawanan arah jarum jam. Kemudian lepaskan baut heksa, flensa luar, dan roda gergaji. (Gb. 14)

Untuk memasang bilah, ikuti prosedur pelepasan secara terbalik. PASTIKAN UNTUK MENGENCANGKAN BAUT HEKSA SEARAH JARUM JAM KUAT-KUAT. (Gb. 15)

CATATAN:

- Jika flensa dalam terlepas secara tidak disengaja, pasanglah flensa dalam itu sehingga tonjolannya (sisi yang lebih besar) menghadap ke dalam seperti diperlihatkan dalam gambar.

Saat mengganti roda gergaji, pastikan untuk membersihkan juga pelindung atas dan bawah roda gergaji dari serbuk gergaji yang terakumulasi. Namun demikian, tindakan demikian tidak menggantikan perlunya memeriksa kerja pelindung bawah setiap kali sebelum menggunakan mesin.

Penyimpanan kunci heksa (Gb. 16)

Bila tidak sedang digunakan, simpanlah kunci heksa seperti diperlihatkan dalam gambar agar tidak hilang.

Menghubungkan mesin pembersih vakum

Aksesori tambahan (Gb. 17 & 18)

Bila Anda ingin melakukan pekerjaan pemotongan yang bersih, hubungkan mesin pembersih vakum Makita ke mesin Anda. Pasang nozel debu (aksesori) pada mesin menggunakan sekrupnya. Kemudian hubungkan slang pembersih vakum ke nozel debu seperti diperlihatkan dalam gambar.

PENGOPERASIAN

⚠️ PERHATIAN:

- Pastikan untuk menggerakkan mesin maju dalam garis lurus dengan halus. Memaksa atau memuntir mesin akan mengakibatkan pemanasan berlebihan pada motor dan tendangan-balik, sehingga dapat menimbulkan cedera parah.

CATATAN:

- Bila suhu kartrid baterai rendah, mesin dapat tidak berfungsi sampai kapasitas penuhnya.
- Pada keadaan demikian, gunakan mesin misalnya untuk pemotongan ringan selama beberapa saat sampai kartrid baterai menghangat mencapai suhu ruangan. Maka mesin dapat bekerja sampai kapasitas penuhnya. (Gb. 19)

Pegang mesin kuat-kuat. Mesin ini dilengkapi dengan pegangan depan (rumah motor) dan gagang belakang. Gunakan keduanya untuk mendapat pegangan terbaik atas mesin. Jika kedua tangan memegang gergaji, keduanya tidak mungkin teriris roda gergaji. Letakkan

alas gergaji pada benda kerja yang akan dipotong tanpa membuat roda gergaji menyentuh benda kerja. Kemudian hidupkan mesin dan tunggu sampai roda gergaji mencapai kecepatan penuh. Sekarang, cukup gerakkan mesin ke depan di atas permukaan benda kerja, dengan menjaganya tetap mendatar dan maju dengan halus sampai penggergajian selesai.

Untuk mendapatkan pemotongan yang bersih, jaga garis penggergajian tetap lurus dan kecepatan maju gergaji seragam. Jika pemotongan tidak berhasil mengikuti garis potong yang diinginkan, jangan mencoba membelokkan atau memaksa mesin kembali ke garis potong. Melakukan hal itu dapat membuat roda gergaji macet dan mengakibatkan tendangan-balik yang berbahaya dan kemungkinan cedera serius. Lepaskan sakelar, tunggu roda berhenti, dan kemudian tarik mesin. Luruskan kembali mesin pada garis potong baru, dan mulailah pemotongan kembali. Usahakan untuk menghindari pemosisian yang membuat operator bisa terkena serpihan dan debu kayu yang terlontar dari gergaji. Gunakan pelindung mata untuk membantu menghindari cedera.

Pagar pembelahan (Penggaris pemandu) (aksesori opsional) (Gb. 20)

Pagar pembelahan yang mudah digunakan ini memungkinkan Anda membuat potongan lurus yang ekstra-akurat. Cukup geser pagar pembelahan hingga menempel pas pada sisi benda kerja dan kencangkan di posisinya dengan sekrup di bagian depan alas. Alat ini juga memungkinkan dilakukannya pemotongan berulang dengan lebar yang seragam.

PEMELIHARAAN

⚠️ PERHATIAN:

- Selalu pastikan bahwa mesin dalam keadaan mati dan kartrid baterainya dilepas sebelum mencoba melakukan pemeriksaan atau pemeliharaan.
- Jangan sekali-kali menggunakan bensin, tiner, alkohol, atau bahan sejenisnya. Penggunaan bahan demikian dapat menyebabkan perubahan warna dan bentuk serta timbulnya retakan.

Demi menjaga KEAMANAN dan KEHANDALAN produk, serahkan perbaikan, pemeliharaan atau penyetelan lainnya kepada Pusat Servis Resmi Makita, dengan selalu menggunakan suku cadang pengganti Makita.

AKSESORI TAMBAHAN

⚠️ PERHATIAN:

- Aksesori atau alat tambahan ini dianjurkan untuk digunakan dengan alat Makita milik Anda yang disebutkan dalam buku petunjuk ini. Penggunaan aksesori atau alat tambahan lain dapat menimbulkan risiko cedera pada orang. Gunakan aksesori atau alat tambahan sesuai kegunaannya.

Jika Anda membutuhkan bantuan perihal informasi lebih terperinci mengenai aksesori-aksesori ini, tanyakan kepada Pusat Servis Makita setempat.

- Roda gergaji
- Pagar pembelahan (Penggaris pemandu)
- Kunci heksa 4
- Nozel debu

- Baterai dan pengisi baterai asli Makita

CATATAN:

- Beberapa artikel dalam daftar dapat disertakan dalam kemasan mesin sebagai aksesori standar. Kelengkapan ini dapat berbeda dari satu negara ke negara lainnya.

TIẾNG VIỆT (Hướng dẫn gốc)

Giải thích về hình vẽ tổng thể

- | | | |
|---------------------|--------------------------|---------------------------------|
| 1. Hộp pin | 7. Lấy khoá | 13. Lưỡi cưa |
| 2. Nút | 8. Bộ khởi động công tắc | 14. Vành trong |
| 3. Vít kẹp | 9. Khoá trục | 15. Phần nhô ra |
| 4. Thanh dẫn độ sâu | 10. Cờ lê sáu cạnh | 16. Phần nhô ra (mặt lớn hơn) |
| 5. Đĩa chia độ vít | 11. Bu-lông lục giác | 17. Ống phun mặt cưa (phụ tùng) |
| 6. Đường cưa | 12. Vành ngoài | 18. Vít |

THÔNG SỐ KỸ THUẬT

Kiểu máy		HS300D
Đường kính lưỡi cưa		85 mm
Độ sâu Cắt Tối đa	ở góc 90°	25,5 mm
	ở góc 45°	16,5 mm
Tốc độ không tải (min ⁻¹)		1.400
Tổng chiều dài		300 mm
Trọng lượng tịnh		1,5 kg
Điện áp định mức		Dòng một chiều: 10,8 V

- Do chương trình nghiên cứu và phát triển liên tục của chúng tôi nên các thông số kỹ thuật dưới đây có thể thay đổi mà không cần thông báo.
- Các thông số kỹ thuật ở mỗi quốc gia có thể khác nhau.
- Trọng lượng, có hộp pin, theo quy định EPTA-Procedure 01/2014

Hộp pin và bộ sạc pin có thể dùng được

Hộp pin	BL1013
Bộ sạc pin	DC10WA

- Một số hộp pin và bộ sạc pin nêu trên có thể không dùng được tùy theo khu vực cư trú của bạn.

CẢNH BÁO:

- **Chỉ sử dụng hộp pin và bộ sạc pin có tên trong danh sách nêu trên.** Sử dụng hộp pin hoặc bộ sạc pin khác có thể gây thương tích và/hoặc cháy nổ.

Ký hiệu

END004-6

Phần dưới đây cho biết các ký hiệu được dùng cho thiết bị. Đảm bảo rằng bạn hiểu ý nghĩa của các ký hiệu này trước khi sử dụng.



... Đọc tài liệu hướng dẫn.


Mục đích sử dụng

ENE028-1

Dụng cụ được dùng để cưa gỗ với các đường cưa thẳng theo chiều dọc và theo đường chéo góc cũng như các đường cưa vít có góc khi vẫn gắn chặt vào phôi gia công.

Cảnh báo an toàn chung dành cho dụng cụ máy

GEA013-2

 **CẢNH BÁO:** Xin đọc tất cả các cảnh báo an toàn, hướng dẫn, minh họa và thông số kỹ thuật đi kèm với dụng cụ máy này. Việc không tuân theo các hướng dẫn được liệt kê dưới đây có thể dẫn đến điện giật, hỏa hoạn và/hoặc thương tích nghiêm trọng.

Lưu giữ tất cả cảnh báo và hướng dẫn để tham khảo sau này.

Thuật ngữ “dụng cụ máy” trong các cảnh báo để cập đến dụng cụ máy (có dây) được vận hành bằng nguồn điện chính hoặc dụng cụ máy (không dây) được vận hành bằng pin của bạn.

An toàn tại nơi làm việc

1. **Giữ nơi làm việc sạch sẽ và có đủ ánh sáng.** Nơi làm việc bừa bộn hoặc tối thường dễ gây ra tai nạn.
2. **Không vận hành dụng cụ máy trong môi trường cháy nổ, ví dụ như môi trường có sự hiện diện của các chất lỏng, khí hoặc bụi dễ cháy.** Các dụng cụ máy tạo tia lửa điện có thể làm bụi hoặc khí bốc cháy.
3. **Giữ trẻ em và người ngoài tránh xa nơi làm việc khi đang vận hành dụng cụ máy.** Sự xao lãng có thể khiến bạn mất khả năng kiểm soát.

An toàn về Điện

1. **Phích cắm của dụng cụ máy phải khớp với ổ cắm.** Không được sửa đổi phích cắm theo bất kỳ cách nào. Không sử dụng bất kỳ phích chuyển đổi nào với các dụng cụ máy được nối đất (tiếp

- đất**). Các phích cắm còn nguyên vẹn và ổ cắm phù hợp sẽ giảm nguy cơ điện giật.
- Tránh để cơ thể tiếp xúc với các bề mặt nổi đất hoặc tiếp đất như đường ống, bộ tản nhiệt, bếp ga và tủ lạnh.** Nguy cơ bị điện giật sẽ tăng lên nếu cơ thể bạn được nối đất hoặc tiếp đất.
 - Không để dụng cụ máy tiếp xúc với mưa hoặc trong điều kiện ẩm ướt.** Nước lọt vào dụng cụ máy sẽ làm tăng nguy cơ điện giật.
 - Không lạm dụng dây điện.** Không được phép sử dụng dây để mang, kéo hoặc tháo phích cắm dụng cụ máy. Giữ dây tránh xa nguồn nhiệt, dầu, các mép sắc hoặc các bộ phận chuyển động. Dây bị hỏng hoặc bị rối sẽ làm tăng nguy cơ điện giật.
 - Khi vận hành dụng cụ máy ngoài trời, hãy sử dụng dây kéo dài phù hợp cho việc sử dụng ngoài trời.** Việc dùng dây phù hợp cho việc sử dụng ngoài trời sẽ giảm nguy cơ điện giật.
 - Nếu bắt buộc phải vận hành dụng cụ máy ở nơi ẩm ướt, hãy sử dụng nguồn cấp điện được bảo vệ bằng thiết bị ngắt dòng điện rò (RCD).** Việc sử dụng RCD sẽ làm giảm nguy cơ điện giật.
 - Các dụng cụ máy có thể tạo ra từ trường điện (EMF) có hại cho người dùng.** Tuy nhiên, người dùng máy trợ tim và những thiết bị y tế tương tự khác nên liên hệ với nhà sản xuất thiết bị và/hoặc bác sĩ để được tư vấn trước khi vận hành dụng cụ máy.

An toàn Cá nhân

- Luôn tinh táo, quan sát những việc bạn đang làm và sử dụng những phán đoán theo kinh nghiệm khi vận hành dụng cụ máy.** Không sử dụng dụng cụ máy khi bạn đang mệt mỏi hoặc chịu ảnh hưởng của ma túy, rượu hay thuốc. Chỉ một khoảnh khắc không tập trung khi đang vận hành dụng cụ máy cũng có thể dẫn đến thương tích cá nhân nghiêm trọng.
- Sử dụng thiết bị bảo hộ cá nhân.** Luôn đeo thiết bị bảo vệ mắt. Các thiết bị bị bảo hộ như mặt nạ chống bụi, giày an toàn chống trượt, mũ bảo hộ hay thiết bị bảo vệ thính giác được sử dụng trong các điều kiện thích hợp sẽ giúp giảm thương tích cá nhân.
- Tránh vô tình khởi động dụng cụ máy.** Đảm bảo công tắc ở vị trí off (tắt) trước khi nối nguồn điện và/hoặc bộ pin, cắm hoặc di chuyển dụng cụ máy. Việc di chuyển dụng cụ máy khi đang đặt ngón tay ở vị trí công tắc hoặc cấp điện cho dụng cụ máy đang bật thường dễ gây ra tai nạn.
- Tháo tất cả các khóa hoặc cờ lê điều chỉnh trước khi bật dụng cụ máy.** Việc cờ lê hoặc khóa vẫn còn gắn vào bộ phận quay của dụng cụ máy có thể dẫn đến thương tích cá nhân.
- Không với quá cao.** Luôn giữ thăng bằng tốt và có chỗ để chân phù hợp. Điều này cho phép điều khiển dụng cụ máy tốt hơn trong những tình huống bất ngờ.
- Ăn mặc phù hợp.** Không mặc quần áo rộng hay đeo đồ trang sức. Giữ tóc và quần áo tránh xa các bộ phận chuyển động. Quần áo rộng, đồ trang sức hay tóc dài có thể mắc vào các bộ phận chuyển động.

- Nếu các thiết bị được cung cấp để kết nối các thiết bị thu gom và hút bụi, hãy đảm bảo chúng được kết nối và sử dụng hợp lý.** Việc sử dụng thiết bị thu gom bụi có thể làm giảm những mối nguy hiểm liên quan đến bụi.
- Không vì quen thuộc do thường xuyên sử dụng các dụng cụ mà cho phép bạn trở nên tự mãn và bỏ qua các nguyên tắc an toàn dụng cụ.** Một hành động bất cẩn có thể gây ra thương tích nghiêm trọng trong một phần của một giây.
- Luôn luôn mang kính bảo hộ để bảo vệ mắt khỏi bị thương khi đang sử dụng các dụng cụ máy.** Kính bảo hộ phải tuân thủ ANSI Z87.1 ở Mỹ, EN 166 ở Châu Âu, hoặc AS/NZS 1336 ở Úc/New Zealand. Tại Úc/New Zealand, theo luật pháp, bạn cũng phải mang mặt nạ che mặt để bảo vệ mặt. (Hình 1)
Trách nhiệm của chủ lao động là bắt buộc người vận hành dụng cụ và những người khác trong khu vực làm việc cạnh đó phải sử dụng các thiết bị bảo hộ an toàn thích hợp.

Sử dụng và bảo quản dụng cụ máy

- Không dùng lực đối với dụng cụ máy.** Sử dụng đúng dụng cụ máy cho công việc của bạn. Sử dụng đúng dụng cụ máy sẽ giúp thực hiện công việc tốt hơn và an toàn hơn theo giá trị định mức được thiết kế của dụng cụ máy đó.
- Không sử dụng dụng cụ máy nếu công tắc không bật và tắt được dụng cụ máy đó.** Mọi dụng cụ máy không thể điều khiển được bằng công tắc đều rất nguy hiểm và phải được sửa chữa.
- Rút phích cắm ra khỏi nguồn điện và/hoặc tháo kết nối bộ pin khỏi dụng cụ máy, nếu có thể tháo rời trước khi thực hiện bất kỳ công việc điều chỉnh, thay đổi phụ tùng hay cất giữ dụng cụ máy nào.** Những biện pháp an toàn phòng ngừa này sẽ giảm nguy cơ vô tình khởi động dụng cụ máy.
- Cất giữ các dụng cụ máy không sử dụng ngoài tầm với của trẻ em và không cho bất kỳ người nào không có hiểu biết về dụng cụ máy hoặc các hướng dẫn này vận hành dụng cụ máy.** Dụng cụ máy sẽ rất nguy hiểm nếu được sử dụng bởi những người dùng chưa qua đào tạo.
- Bảo dưỡng dụng cụ máy và các phụ kiện.** Kiểm tra tình trạng lệch trục hoặc bó kẹt của các bộ phận chuyển động, hiện tượng nứt vỡ của các bộ phận và mọi tình trạng khác mà có thể ảnh hưởng đến hoạt động của dụng cụ máy. Nếu có hỏng hóc, hãy sửa chữa dụng cụ máy trước khi sử dụng. Nhiều tai nạn xảy ra là do không bảo quản tốt dụng cụ máy.
- Luôn giữ cho dụng cụ cất được sắc bén và sạch sẽ.** Những dụng cụ cất được bảo quản tốt có mép cắt sắc sẽ ít bị kẹt hơn và dễ điều khiển hơn.
- Sử dụng dụng cụ máy, phụ tùng và đầu dụng cụ cất, v.v... theo các hướng dẫn này, có tính đến điều kiện làm việc và công việc được thực hiện.** Việc sử dụng dụng cụ máy cho các công việc khác với công việc dự định có thể gây nguy hiểm.
- Giữ tay cầm và bề mặt tay cầm khô, sạch, không dính dầu và mỡ.** Tay cầm trơn trượt và bề mặt tay cầm không cho phép xử lý an toàn và kiểm soát dụng cụ trong các tình huống bất ngờ.

9. **Khi sử dụng dụng cụ, không được đi găng tay lao động bằng vải, có thể bị vướng.** Việc găng tay lao động bằng vải vướng vào các bộ phận chuyển động có thể gây ra thương tích cá nhân.

Sử dụng và bảo quản dụng cụ dùng pin

1. **Chỉ sạc pin lại với bộ sạc do nhà sản xuất quy định.** Bộ sạc phù hợp với một loại bộ pin này có thể gây ra nguy cơ hỏa hoạn khi được dùng cho một bộ pin khác.
2. **Chỉ sử dụng các dụng cụ máy với các bộ pin được quy định cụ thể.** Việc sử dụng bất cứ bộ pin nào khác có thể gây ra thương tích và hỏa hoạn.
3. **Khi không sử dụng bộ pin, hãy giữ tránh xa các đồ vật khác bằng kim loại, chẳng hạn như kẹp giấy, tiền xu, chìa khóa, đinh, ốc vít hoặc các vật nhỏ bằng kim loại mà có thể làm nối tất các đầu cực pin.** Các đầu cực pin bị đoản mạch có thể gây cháy hoặc hỏa hoạn.
4. **Trong điều kiện sử dụng quá mức, pin có thể bị chảy nước; hãy tránh tiếp xúc.** Nếu vô tình tiếp xúc với pin bị chảy nước, hãy rửa sạch bằng nước. Nếu dung dịch từ pin tiếp xúc với mắt, cần đi khám bác sĩ thêm. Dung dịch chảy ra từ pin có thể gây rất da hoặc bỏng.
5. **Không sử dụng bộ pin hoặc dụng cụ bị hư hỏng hoặc đã bị sửa đổi.** Pin đã bị hư hỏng hoặc đã bị sửa đổi có thể hành động theo cách không thể đoán trước dẫn đến cháy, nổ hoặc nguy cơ chấn thương.
6. **Không để bộ pin hoặc dụng cụ tiếp xúc với lửa hoặc nhiệt độ quá cao.** Tiếp xúc với lửa hoặc nhiệt độ trên 130°C có thể gây ra cháy nổ.
7. **Làm theo tất cả các hướng dẫn sạc pin và không được sạc bộ pin hoặc dụng cụ vượt giới hạn nhiệt độ quy định trong hướng dẫn.** Sạc pin không đúng hoặc ở nhiệt độ vượt giới hạn nhiệt độ có thể gây hư hỏng cho pin và làm tăng nguy cơ cháy.

Bảo dưỡng

1. **Để nhân viên sửa chữa đủ trình độ bảo dưỡng dụng cụ máy của bạn và chỉ sử dụng các bộ phận thay thế đồng nhất.** Việc này sẽ đảm bảo duy trì được độ an toàn của dụng cụ máy.
2. **Không bao giờ sử dụng bộ pin đã hỏng.** Dịch vụ bảo hành bộ pin chỉ nên thực hiện bởi nhà sản xuất hoặc các nhà cung cấp dịch vụ được ủy quyền.
3. **Tuân theo hướng dẫn dành cho việc bôi trơn và thay phụ tùng.**

Cảnh báo an toàn cho máy của đĩa chạy pin

GEB151-1

Quy trình cắt

1. **⚠ NGUY HIỂM: Để tay tránh xa khu vực cắt và lưỡi cắt.** Để tay thứ hai của bạn lên tay cầm phụ hoặc vỏ động cơ. Nếu cầm cửa bằng cả hai tay thì lưỡi cắt sẽ không thể cắt vào tay.
2. **Không đưa tay xuống bên dưới phôi gia công.** Phần bảo vệ không thể bảo vệ bạn khỏi lưỡi cắt ở bên dưới phôi gia công.
3. **Điều chỉnh độ sâu cắt theo độ dày của phôi gia công.** Phải thấy được một phần rãnh của phía dưới phôi gia công.

4. **Không được cầm phôi gia công trong tay hoặc để chèo qua chân bạn khi cắt.** Cố định phôi gia công vào một bề vững chắc. Điều quan trọng là phải đỡ phôi gia công đúng cách để giảm thiểu khả năng tiếp xúc với cơ thể, hiện tượng bó kẹt lưỡi cắt hoặc mất kiểm soát. **(Hinh 2)**
5. **Chỉ cầm dụng cụ máy bằng bề mặt kẹp cách điện khi thực hiện thao tác, trong đó dụng cụ cắt có thể tiếp xúc với dây dẫn kín hoặc dây của chính nó.** Tiếp xúc với dây dẫn "có điện" có thể khiến các bộ phận kim loại bị hở của dụng cụ máy "có điện" và có thể làm cho người vận hành bị điện giật.
6. **Khi cắt dọc, luôn sử dụng thanh cữ hoặc thước dẫn hướng thẳng.** Điều này giúp cải thiện độ chính xác của đường cắt và giảm nguy cơ bó kẹt lưỡi cắt.
7. **Luôn sử dụng lưỡi cắt có kích thước và hình dạng (hình thoi và hình tròn) của lỗ tâm chính xác.** Những lưỡi cắt không khớp với phần cứng lắp ráp của cửa sẽ chạy lệch tâm, gây mất kiểm soát.
8. **Không được sử dụng các vòng đệm hoặc bu-lông lưỡi cắt bị hỏng hoặc không đúng.** Bu-lông và các vòng đệm lưỡi cắt được thiết kế dành riêng cho máy cắt của bạn, để tối đa hóa hiệu năng và độ an toàn hoạt động.

Nguyên nhân bật ngược và các cảnh báo liên quan

- bật ngược trở lại là hiện tượng phản lực đột ngột khi lưỡi của bị bó, bật lên hoặc bị lệch khiến cho máy cắt bị mất kiểm soát, bật lên và rời khỏi phôi gia công, hướng về phía người vận hành;
- khi lưỡi cắt bị bó hoặc bật lên do rãnh của bị đóng lại, lưỡi cắt sẽ ngừng chạy và phản lực của động cơ sẽ khiến cho thiết bị bật nhanh ngược trở lại người vận hành;
- nếu lưỡi cắt bị xoắn hoặc bị lệch khi cắt, rãnh ở mặt sau lưỡi cắt có thể cắm sâu vào mặt trên của gỗ khiến cho lưỡi cắt chệch ra ngoài vết cắt và bật ngược trở lại người vận hành.

Hiện tượng bật ngược lại là do sử dụng sai cửa và/hoặc quy trình hoặc tình trạng vận hành không chính xác và có thể tránh được bằng cách thực hiện các biện pháp phòng ngừa thích hợp dưới đây.

1. **Luôn cầm chặt của bằng cả hai tay và đặt cánh tay của bạn ở vị trí có thể chịu đựng được các lực bật ngược lại.** Để thân của bạn ở vị trí một trong hai phía của lưỡi cắt nhưng không được thẳng hàng với lưỡi cắt. Hiện tượng bật ngược lại có thể khiến của bật ngược về phía sau nhưng người vận hành có thể kiểm soát được lực bật ngược lại nếu thực hiện các biện pháp phòng ngừa thích hợp.
2. **Khi lưỡi cắt bị bó kẹt hoặc khi đường cắt bị gián đoạn vì bất kỳ lý do nào, hãy nhả bộ khởi động và giữ của đứng im trong vài giây cho đến khi lưỡi cắt hoàn toàn dừng lại.** Không được cố gỡ cửa ra khỏi sản phẩm hoặc kéo cửa về phía sau khi lưỡi cắt vẫn đang chuyển động nếu không có thể xảy ra hiện tượng bật ngược lại. Kiểm tra và tiến hành khắc phục để loại bỏ nguyên nhân gây bó kẹt lưỡi cắt.
3. **Khi khởi động lại của trong phôi gia công, đặt lưỡi của vào giữa rãnh của sao cho các răng của không được mắc vào vật liệu.** Nếu lưỡi của bị

keo, nó có thể bật lên hoặc bật ngược lại khỏi phiê gia công khi cửa được khởi động lại.

- Đỡ tấm ván lớn để giảm thiểu nguy cơ bó lưới cắt và bật ngược lại.** Tấm ván lớn thường có xu hướng võng xuống do trọng lượng của nó. Phải đặt các giá đỡ dưới tấm ván ở cả hai phía, gần đường cắt và gần cạnh của tấm ván. (Hình 3 & 4)
- Không sử dụng lưới cắt bị cùn hoặc bị hư hỏng.** Lưới cắt không được mài sắc hoặc được điều chỉnh không đúng cách sẽ tạo ra vết cắt hẹp, gây ra ma sát quá lớn, bó kẹt lưới cắt cũng như hiện tượng bật ngược lại.
- Phải vận chặt và cố định các lẫy khóa điều chỉnh góc và độ sâu lưới cắt trước khi cắt.** Nếu điều chỉnh lưới cắt thay đổi khi đang cắt thì có thể gây ra bó kẹt và bật ngược lại.
- Đặc biệt cẩn trọng khi cửa vào các tường có sần hoặc các vùng khó nhìn khác.** Lưới cắt nhô ra có thể cắt phải các vật có khả năng gây nên hiện tượng bật lại.
- LUÔN cầm chắc dụng cụ bằng cả hai tay. KHÔNG đặt tay, chân hoặc bất kỳ bộ phận nào của cơ thể bạn ở bên dưới để dùng hoặc phía sau cửa, đặt biệt là khi cắt ngang.** Nếu xảy ra hiện tượng bật ngược lại, cửa có thể dễ dàng bật lại phía sau qua tay của bạn, dẫn đến thương tích cá nhân nghiêm trọng. (Hình 5)
- Không được ấn mạnh cửa. Đẩy cửa về phía trước ở tốc độ sao cho lưới cắt cắt không bị chậm.** Ấn mạnh cửa có thể khiến cho đường cắt gồ ghề, mất độ chính xác và có thể xảy ra hiện tượng bật ngược lại.

Chức năng của phần bảo vệ

- Kiểm tra phần bảo vệ dưới xem đã đóng đúng chưa trước mỗi lần sử dụng.** Không vận hành máy cửa nếu phần bảo vệ dưới không di chuyển tự do và đóng ngay tức khắc. Không kẹp hoặc buộc phần bảo vệ dưới ở vị trí mở. Nếu vô tình đánh rơi cửa thì phần bảo vệ dưới có thể bị cong. Nâng phần bảo vệ dưới có tay cầm co rút được lên và đảm bảo phần bảo vệ di chuyển tự do và không chạm vào lưới cửa hay bất kỳ bộ phận nào khác, ở tất cả các góc và chiều sâu cắt.
- Kiểm tra hoạt động của lò xo phần bảo vệ dưới. Nếu phần bảo vệ và lò xo không hoạt động đúng, chúng phải được bảo trì trước khi sử dụng.** Phần bảo vệ dưới có thể hoạt động chậm do các bộ phận bị hư hỏng, cần bám dính hoặc các mảnh vụn tích tụ.
- Phần bảo vệ dưới chỉ có thể tự chỉnh co rút bằng tay đối với các vết cắt đặc biệt như "cắt chim" và "cắt hỗn hợp".** Nâng phần bảo vệ dưới bằng tay cầm co rút được và ngay khi lưới cửa đi vào vật liệu, phần bảo vệ dưới phải được nhả ra. Đối với tất cả thao tác cửa khác, phần bảo vệ dưới nên vận hành tự động.
- Luôn chú ý xem phần bảo vệ dưới đã che lưới cắt hay chưa trước khi đặt cửa lên ghế hoặc sân nhà.** Lưới cắt không được bảo vệ, theo đà quán tính sẽ khiến cửa chuyển động ngược về phía sau, cắt bất kể thứ gì trên đường đi của nó. Chú ý thời gian cần thiết để lưới cắt dừng sau khi nhả công tắc.

- Để kiểm tra phần bảo vệ dưới, dùng tay mở phần bảo vệ dưới ra, sau đó thả ra và theo dõi phần bảo vệ đóng lại. Đồng thời kiểm tra để thấy rằng tay cầm co rút được không chạm vào võ dụng cụ.** Để lưới cắt hở là RẤT NGUY HIỂM và có thể dẫn đến thương tích cá nhân nghiêm trọng.

Cảnh báo an toàn bổ sung

- Đặc biệt cẩn trọng khi cắt gỗ ẩm, gỗ ép hoặc gỗ có mấu.** Duy trì bước tiến của dụng cụ nhẹ nhàng mà không làm giảm tốc độ lưới cắt để tránh làm quá nhiệt các đầu lưới cắt.
- Không cố gỗ vật liệu bị cắt khi lưới cắt đang chuyển động. Chờ cho tới khi lưới cắt dừng lại trước khi nắm lấy vật liệu bị cắt.** Lưới cắt chạy theo đà quán tính sau khi tắt.
- Tránh cắt đỉnh. Kiểm tra và tháo toàn bộ đỉnh khỏi gỗ trước khi cắt.**
- Đặt phần rộng hơn của bề cửa lên phần phiê gia công được đồ chắc chắn, không đặt lên phần sẽ rời xuống sau khi thực hiện cắt.** Nếu phiê gia công ngắn hoặc nhỏ, hãy kẹp chặt nó xuống. **KHÔNG CỐ GIỮ CÁC MẤU GỖ NGẮN BẰNG TAY!** (Hình 6)
- Trước khi đặt dụng cụ xuống sau khi cắt xong, hãy đảm bảo rằng phần bảo vệ dưới đã đóng và lưới cắt đã dừng hẳn.**
- Không được cố cửa bằng máy cửa đĩa được kẹp lên ngược trong dụng cụ kẹp.** Điều này cực kỳ nguy hiểm và có thể dẫn tới những tai nạn nghiêm trọng. (Hình 7)
- Một số vật liệu có thể chứa hóa chất độc hại. Phải cẩn trọng tránh hít phải bụi và để tiếp xúc với da.** Tuân theo dữ liệu an toàn của nhà cung cấp vật liệu.
- Không dùng lưới cắt bằng áp lực bên lên lưới cửa.**
- Không sử dụng bất kỳ đĩa mài nào.**
- Chỉ sử dụng lưới cửa có đường kính được đánh dấu trên dụng cụ hoặc được chỉ định trong hướng dẫn.** Sử dụng lưới cửa có kích thước không đúng có thể ảnh hưởng đến phần bảo vệ thích hợp của lưới cửa hoặc công động của phần bảo vệ, có thể dẫn đến thương tích nghiêm trọng.
- Giữ lưới cắt sắc và sạch.** Chất dính và nhựa gỗ bám chặt trên lưới cắt làm chậm cửa và tăng khả năng xảy ra hiện tượng bật ngược lại. Giữ lưới cắt sạch bằng cách trước tiên tháo lưới cắt ra khỏi dụng cụ sau đó lau sạch lưới cắt bằng chất tẩy chất dính và nhựa, nước nóng hoặc dầu hỏa. Không được sử dụng xăng.
- Đeo mặt nạ chống bụi và thiết bị bảo vệ thính giác khi sử dụng dụng cụ.**
- Luôn sử dụng lưới cửa được thiết kế để cắt các vật liệu mà bạn sẽ cắt.**
- Chỉ sử dụng lưới cửa có ghi tốc độ bằng hoặc cao hơn tốc độ ghi trên dụng cụ.**
- (Chỉ đối với các quốc gia Châu Âu)**
Luôn sử dụng lưới cửa tuân thủ theo EN847-1.

LƯU GIỮ CÁC HƯỚNG DẪN NÀY.

⚠ **CẢNH BÁO: KHÔNG** vì đã thoải mái hay quen thuộc với sản phẩm (có được do sử dụng nhiều lần) mà không tuân thủ nghiêm ngặt các quy định về an

toàn dành cho sản phẩm này. **VIỆC DÙNG SAI** hoặc không tuân theo các quy định về an toàn được nêu trong tài liệu hướng dẫn này có thể dẫn đến thương tích cá nhân nghiêm trọng.

Hướng dẫn quan trọng về an toàn dành cho hộp pin

ENC009-5

1. Trước khi sử dụng hộp pin, hãy đọc kỹ tất cả các hướng dẫn và dấu hiệu cảnh báo trên (1) bộ sạc pin, (2) pin và (3) sản phẩm sử dụng pin.
2. Không tháo rời hộp pin.
3. Nếu thời gian vận hành ngắn hơn quá mức, hãy ngừng vận hành ngay lập tức. Điều này có thể dẫn đến rủi ro quá nhiệt, có thể gây bỏng và thậm chí là nổ.
4. Nếu chất điện phân rơi vào mắt, hãy rửa sạch bằng nước sạch và đến cơ sở y tế ngay lập tức. Chất này có thể khiến bạn giảm thị lực.
5. Không để hộp pin ở tình trạng đoản mạch:
 - (1) Không chạm vào cực pin bằng vật liệu dẫn điện.
 - (2) Tránh cất giữ hộp pin trong hộp có các vật kim loại khác như đinh, tiền xu, v.v...
 - (3) Không được để hộp pin tiếp xúc với nước hoặc mưa.

Đoản mạch pin có thể gây ra dòng điện lớn, quá nhiệt, có thể gây bỏng và thậm chí là hỏng hóc.

6. Không cất giữ dụng cụ và hộp pin ở nơi nhiệt độ có thể lên tới hoặc vượt quá 50°C.
7. Không đốt hộp pin ngay cả khi hộp pin đã bị hư hại nặng hoặc hư hỏng hoàn toàn. Hộp pin có thể nổ khi tiếp xúc với lửa.
8. Hãy cẩn trọng không làm rơi hoặc làm méo pin.
9. Không sử dụng pin đã hỏng.
10. Pin nén lithium-ion là đối tượng có yêu cầu bắt buộc theo Luật Hàng hoá Nguy hiểm.
Đối với vận tải thương mại, ví dụ như vận tải do bên thứ ba, đại lý giao nhận, thì yêu cầu đặc biệt về đóng gói và nhãn ghi phải được giám sát.
Để chuẩn bị cho mặt hàng cần vận chuyển, cần phải tham khảo ý kiến chuyên gia về vật liệu nguy hiểm. Nếu được, vui lòng tuân thủ các quy định quốc gia chi tiết hơn.
Buộc hoặc niêm phong các tiếp điểm mở và đóng gói pin theo cách đó để nó không thể di chuyển trong bao bì.
11. Tuân theo các quy định của địa phương liên quan đến việc thải bỏ pin.
12. Chỉ sử dụng pin cho các sản phẩm Makita chỉ định. Lắp pin vào sản phẩm không thích hợp có thể gây ra hỏa hoạn, quá nhiệt, nổ, hoặc rò chất điện phân.

LƯU GIỮ CÁC HƯỚNG DẪN NÀY.

⚠ THẬN TRỌNG: Chỉ sử dụng pin Makita chính hãng. Việc sử dụng pin không chính hãng Makita, hoặc pin đã được sửa đổi, có thể dẫn đến nổ pin gây ra cháy, thương tích và thiệt hại cá nhân. Nó cũng sẽ làm mất hiệu lực bảo hành của Makita dành cho dụng cụ của Makita và bộ sạc.

Mẹo duy trì tuổi thọ tối đa cho pin

1. Sạc hộp pin trước khi pin bị xả điện hoàn toàn. Luôn dùng việc vận hành dụng cụ và sạc pin khi bạn nhận thấy công suất dụng cụ bị giảm.
2. Không được phép sạc lại một hộp pin đã được sạc đầy. Sạc quá mức sẽ làm giảm tuổi thọ của pin.
3. Sạc pin ở nhiệt độ phòng 10°C - 40°C. Để cho hộp pin nóng nguội lại dẫn trước khi sạc pin.

MÔ TẢ CHỨC NĂNG

⚠ THẬN TRỌNG:

- Luôn đảm bảo rằng dụng cụ đã được tắt và hộp pin đã được tháo trước khi điều chỉnh hoặc kiểm tra chức năng trên dụng cụ.

Lắp hoặc tháo hộp pin (Hình 8)

⚠ THẬN TRỌNG:

- Luôn tắt công tắc dụng cụ trước khi lắp hoặc tháo hộp pin.
- **Cầm chắc dụng cụ và hộp pin khi lắp hoặc tháo hộp pin.** Không cầm chắc dụng cụ và hộp pin có thể khiến chúng bị trượt khỏi tay bạn, dẫn đến hư hỏng dụng cụ và hộp pin cũng như gây thương tích cá nhân.

Để tháo hộp pin, kéo hộp pin ra khỏi dụng cụ đồng thời nhấn các nút ở hai bên hộp pin.

Để lắp hộp pin, giữ hộp pin sao cho phần trước của hộp pin vừa với phần cửa lắp đặt của hộp pin và thả hộp pin vào vị trí. Đưa toàn bộ pin vào cho đến khi hộp pin khớp vào vị trí với một tiếng cách nhỏ.

⚠ THẬN TRỌNG:

- Luôn lắp hộp pin hết cỡ cho tới khi hộp pin khoá vào vị trí. Nếu không, pin có thể bật ngửa văng ra khỏi dụng cụ, gây thương tích cho bạn hoặc người xung quanh.
- Không dùng sức mạnh để lắp hộp pin. Nếu hộp pin không trượt vào dễ dàng thì có nghĩa là pin đang được lắp không đúng cách.

Hệ thống bảo vệ pin

Dụng cụ này được trang bị hệ thống bảo vệ pin. Hệ thống này sẽ tự động ngắt nguồn cho mô tơ để tăng tuổi thọ pin.

Dụng cụ sẽ tự động ngừng hoạt động nếu dụng cụ và/hoặc pin ở một trong các điều kiện sau.

- Quá tải:
Dụng cụ được vận hành theo cách tạo ra dòng điện cao bất thường.
Trong trường hợp này, hãy nhả bộ khởi động công tắc trên dụng cụ và ngừng hoạt động khiến dụng cụ bị quá tải. Sau đó kéo lại bộ khởi động công tắc để khởi động lại.
- Điện áp pin thấp:
Điện dung còn lại của pin quá thấp và dụng cụ sẽ không hoạt động. Nếu bạn kéo bộ khởi động công tắc, mô tơ chạy lại nhưng sẽ dừng lại sớm. Trong trường hợp này, hãy tháo và sạc lại pin.

Điều chỉnh độ sâu cắt (Hình 9)

⚠ THẬN TRỌNG:

- Sau khi điều chỉnh độ sâu cắt, luôn vận chặt vít kẹp.

Nới lỏng vít kẹp trên thanh dẫn độ sâu và di chuyển bề lên hoặc xuống. Ở độ sâu cắt mong muốn, cố định bề bằng cách vặn chặt vít kẹp.

Để đường của bên thẳng và an toàn hơn, điều chỉnh độ sâu cắt sao cho không quá một răng của nhô ra bên dưới phôi gia công. Sử dụng độ sâu cắt chính xác giúp giảm khả năng xảy ra các HIỆN TƯỢNG BẬT NGƯỢC LẠI nguy hiểm có thể gây thương tích cá nhân.

Cửa vát (Hình 10)

Nới lỏng vít kẹp trên đĩa chia độ vát ở trước bề. Điều chỉnh góc mong muốn (0° - 45°) bằng cách nghiêng đĩa tương ứng, sau đó vặn chặt vít kẹp.

Ngắt đường cửa (Hình 11)

Để cửa thẳng, gióng vị trí A ở phía trước bề thẳng hàng với đường cửa của bạn. Để cửa vát 45°, gióng vị trí B thẳng hàng với đường cửa.

Hoạt động của công tắc (Hình 12)

⚠ THẬN TRỌNG:

- Trước khi lắp hộp pin vào dụng cụ, luôn kiểm tra xem bộ khởi động công tắc có khởi động đúng và trở về vị trí "TẮT" khi được nhấn ra hay không.
- Không kéo bộ khởi động công tắc mạnh mà không ấn vào lấy khoá. Điều này có thể gây hỏng công tắc.

Lấy khoá được trang bị để ngăn bộ khởi động công tắc bị kéo vô tình. Để khởi động dụng cụ, đẩy nhẹ lấy khoá và kéo bộ khởi động công tắc. Nhả bộ khởi động công tắc để dừng.

⚠ CẢNH BÁO:

- Để an toàn cho bạn, dụng cụ này được trang bị lấy khoá giúp ngăn dụng cụ bị khởi động vô tình. **KHÔNG BAO GIỜ** sử dụng dụng cụ này nếu dụng cụ chạy khi bạn chỉ kéo bộ khởi động công tắc mà không ấn lấy khoá. Gửi lại dụng cụ cho trung tâm bảo trì Makita để sửa chữa **TRƯỚC KHI** tiếp tục sử dụng.
- **KHÔNG BAO GIỜ** buộc hay làm sai mục đích và chức năng của lấy khoá.

QUÁ TRÌNH LẮP RÁP

⚠ THẬN TRỌNG:

- Luôn chắc chắn rằng dụng cụ đã được tắt nguồn và hộp pin đã được tháo ra trước khi thực hiện bất kỳ công việc nào trên dụng cụ.

Tháo hoặc lắp lưỡi của (Hình 13)

⚠ THẬN TRỌNG:

- Đảm bảo lắp lưỡi của cố định của hướng lên trên ở phía trước của dụng cụ.
- Chỉ sử dụng cờ lê Makita để lắp hoặc tháo lưỡi của. Để tháo lưỡi của, ấn hết khoá trục sao cho lưỡi của không thể quay và sử dụng cờ lê để vặn lỏng bu lông lục giác theo chiều ngược chiều kim đồng hồ. Sau đó tháo bu lông sáu cạnh, vành ngoài và lưỡi của.

(Hình 14)

Để lắp lưỡi của, hãy làm ngược lại quy trình tháo. **ĐẢM BẢO VẮN CHẶT BU LÔNG LỤC GIÁC THEO CHIỀU KIM ĐỒNG HỒ.** (Hình 15)

CHÚ Ý:

- Nếu vành trong vô tình bị tháo ra, hãy lắp lại vành trong sao cho phần nhô ra (mặt lớn hơn) quay vào bên trong như được minh hoạ trong hình. Khi thay lưỡi của, cũng hãy nhớ lau sạch mùn của tích tụ ở phần bảo vệ trên và dưới lưỡi của. Tuy nhiên, làm như vậy cũng không thay thế được việc cần phải kiểm tra hoạt động của phần bảo vệ dưới trước mỗi lần sử dụng.

Cắt giữ cờ lê sáu cạnh (Hình 16)

Khi không sử dụng, cắt giữ cờ lê sáu cạnh như được minh hoạ trong hình để tránh làm mất.

Nối với máy hút bụi

Phụ kiện tùy chọn (Hình 17 & 18)

Khi bạn muốn thực hiện thao tác của một cách sạch sẽ, hãy nối máy hút bụi Makita với dụng cụ của bạn. Lắp ống phun mặt cửa (phụ tùng) trên dụng cụ bằng vít. Sau đó, nối ống của máy hút bụi với ống phun mặt cửa như được minh hoạ trong hình.

VẬN HÀNH

⚠ THẬN TRỌNG:

- Đảm bảo di chuyển dụng cụ nhẹ nhàng về phía trước theo một đường thẳng. Ấn mạnh hoặc làm xoắn dụng cụ sẽ dẫn đến đường cắt quá nhiệt và nhiệt tượng bật ngược lại nguy hiểm, có thể gây thương tích nghiêm trọng.

CHÚ Ý:

- Khi nhiệt độ của hộp pin thấp, dụng cụ có thể không hoạt động hết công suất.
- Ví dụ: Tại thời điểm này, hãy sử dụng dụng cụ để thực hiện thao tác của nhẹ nhàng trong một khoảng thời gian cho tới khi hộp pin ấm lên bằng với nhiệt độ phòng. Sau đó, dụng cụ có thể hoạt động hết công suất. (Hình 19)

Cầm chắc dụng cụ. Dụng cụ được cung cấp cùng với cả tay nắm trước (vỏ động cơ) và tay cầm sau. Sử dụng cả hai để nắm dụng cụ chắc nhất. Nếu cầm của bằng cả hai tay thì lưỡi của sẽ không thể cắt vào tay. Đặt bề lên phôi gia công chuẩn bị của mà không để lưỡi của có bất kỳ tiếp xúc nào. Sau đó bắt dụng cụ và chờ cho tới khi lưỡi của đạt đến tốc độ tối đa. Giữ chỉ cần di chuyển dụng cụ về phía trước qua bề mặt phôi gia công, giữ dụng cụ ngang bằng và chuyển động nhẹ nhàng về phía trước cho tới khi của xong. Để có đường của bên thẳng, giữ cho đường của thẳng và tốc độ chuyển động tiến không thay đổi. Nếu đường của không theo đúng đường của mà bạn đã định, dừng cố đổi hướng hoặc bắt dụng cụ trở lại đường của đó. Làm như vậy có thể bỏ kẹt lưỡi của và dẫn tới hiện tượng bật ngược lại nguy hiểm và có thể xảy ra thương tích nghiêm trọng. Nhả công tắc, chờ cho lưỡi của dừng, sau đó rút dụng cụ ra. Đặt thẳng lại dụng cụ trên đường của mới và bắt đầu của lại. Cố tránh đứng ở vị trí mà các mảnh gỗ nhỏ và mặt của từ của có thể bắn vào người vận hành. Sử dụng thiết bị bảo vệ mặt để tránh thương tích.

Thanh cũ (Thước dẫn) (phụ tùng tùy chọn) (Hình 20)

Thanh cũ dễ sử dụng cho phép bạn thực hiện những đường cưa thẳng chính xác hơn. Chỉ cần trượt thanh cũ một cách thoải mái áp với cạnh của phôi gia công và cố định nó bằng vít ở phía trước bệ. Ngoài ra, thanh cũ có thể giúp tạo ra các đường cưa lặp lại với độ rộng đồng đều.

BẢO DƯỠNG

THẬN TRỌNG:

- Luôn chắc chắn rằng bạn đã tắt nguồn và tháo pin của dụng cụ ra trước khi thực hiện kiểm tra hoặc bảo trì.
- Không bao giờ dùng xăng, ét xăng, dung môi, cồn hoặc hóa chất tương tự. Có thể xảy ra hiện tượng mất màu, biến dạng hoặc nứt vỡ.

Để duy trì ĐỘ AN TOÀN và ĐỘ TIN CẬY của sản phẩm, việc sửa chữa, bảo dưỡng hoặc bất kỳ điều chỉnh nào khác đều phải do Trung tâm Bảo trì Được ủy quyền của Makita thực hiện, luôn sử dụng các bộ phận thay thế của Makita.

PHỤ KIỆN TÙY CHỌN

THẬN TRỌNG:

- Các phụ tùng hoặc phụ kiện này được khuyến nghị sử dụng với dụng cụ Makita của bạn được chỉ định trong tài liệu này. Việc sử dụng bất kỳ phụ tùng hoặc phụ kiện nào khác có thể dẫn đến rủi ro thương tích cho con người. Chỉ sử dụng phụ tùng hoặc phụ kiện với mục đích được nêu.

Nếu bạn cần bất kỳ sự hỗ trợ nào để biết thêm chi tiết về các phụ tùng này, hãy hỏi Trung tâm Bảo trì Makita tại địa phương của bạn.

- Lưỡi cưa
- Thanh cũ (Thước dẫn)
- Cờ lê sáu cạnh số 4
- Ống phun mặt cưa
- Pin và bộ sạc chính hãng Makita

CHÚ Ý:

- Một số mục trong danh sách có thể được bao gồm trong gói dụng cụ làm các phụ kiện chuẩn. Các mục này ở mỗi quốc gia có thể khác nhau.

คำอธิบายของมุมมองทั่วไป

- | | | |
|------------------------|--------------------|--|
| 1. ดัลล์แบตเตอร์ | 7. คันลีด | 13. โบเลื่อย |
| 2. ปุ่ม | 8. โกสวิตช์ | 14. ขอบด้านใน |
| 3. สกรูยึด | 9. ตัวลีดคเพลา | 15. ส่วนที่ยื่นออกมา |
| 4. แนววัดความลึก | 10. ประแจหกเหลี่ยม | 16. ส่วนที่ยื่นออกมา (ด้านที่ใหญ่กว่า) |
| 5. แผ่นสเกลวัดมุมเฉียง | 11. โบลต์หกเหลี่ยม | 17. หัวขีดกำลังคูณ (อุปกรณ์เสริม) |
| 6. แนวการตัด | 12. ขอบด้านนอก | 18. สกรู |

ข้อมูลทางเทคนิค

รุ่น		HS300D
เส้นผ่าศูนย์กลางโบเลื่อย		85 มม
ความลึกการตัดสูงสุด	ที่ 90°	25.5 มม
	ที่ 45°	16.5 มม
ความเร็วขณะไม่ได้ใช้งาน (นาที่ ⁻¹)		1,400
ความยาวทั้งหมด		300 มม
น้ำหนักสุทธิ		1.5 กก
อัตราแรงดันไฟฟ้า		D.C. 10.8 V

- เนื่องจากกรวิจัยและการพัฒนาของเราเป็นแผนงานต่อเนื่อง ดังนั้นข้อมูลเทคนิคที่ระบุในเอกสารนี้อาจมีการเปลี่ยนแปลงโดยไม่ต้องแจ้งให้ทราบล่วงหน้า
- ข้อมูลเทคนิคอาจแตกต่างกันในแต่ละประเทศ
- น้ำหนักพร้อมแบตเตอรี่ตามข้อบังคับของ EPTA 01/2014

ดัลล์แบตเตอร์และแท่นชาร์จที่สามารถใช้งานได้

ดัลล์แบตเตอร์	BL1013
แท่นชาร์จ	DC10WA

- ดัลล์แบตเตอร์และแท่นชาร์จบางรายการที่ระบุไว้ทางด้านบนอาจไม่มีจำหน่ายในภูมิภาคของคุณ

⚠ คำเตือน:

- ใช้แต่ดัลล์แบตเตอร์และแท่นชาร์จที่ระบุไว้ทางด้านบนเท่านั้น การใช้ดัลล์แบตเตอร์และแท่นชาร์จอื่นอาจทำให้ได้รับบาดเจ็บและ/หรือเกิดไฟไหม้ได้

สัญลักษณ์

END004-6

ต่อไปนี้เป็นสัญลักษณ์ที่ใช้สำหรับอุปกรณ์ โปรดศึกษาความหมายของสัญลักษณ์ให้เข้าใจก่อนการใช้งาน



... อ่านคู่มือการใช้งาน

วัตถุประสงค์การใช้งาน

ENE028-1

เครื่องมือนี้ผลิตขึ้นเพื่อใช้ในการตัดไม้เป็นเส้นตรงในแนวขวางและแนวยาว รวมถึงการตัดบากเป็นมุมต่างๆ เมื่อเครื่องมือแนบสนิทกับชิ้นงาน

คำเตือนด้านความปลอดภัยของ เครื่องมือไฟฟ้าทั่วไป

GEA013-2

⚠ คำเตือน: โปรดอ่านคำเตือนด้านความปลอดภัย คำแนะนำ

ภาพประกอบ และข้อมูลจำเพาะต่าง ๆ ที่ใหม่กับเครื่องมือ ไฟฟ้านี้อย่างละเอียด การไม่ปฏิบัติตามคำแนะนำดังต่อไปนี้ อาจส่งผลให้เกิดไฟฟ้าช็อต ไฟไหม้ และ/หรือได้รับบาดเจ็บ อย่างร้ายแรงได้

เก็บรักษาคำเตือนและคำแนะนำทั้งหมดไว้เป็น ข้อมูลอ้างอิงในอนาคต

คำว่า "เครื่องมือไฟฟ้า" ในคำเตือนนี้หมายถึงเครื่องมือไฟฟ้า (มีสาย) ที่ทำงานโดยใช้กระแสไฟฟ้าหรือเครื่องมือไฟฟ้า (ไร้สาย) ที่ทำงาน โดยใช้แบตเตอรี่

ความปลอดภัยของพื้นที่ทำงาน

1. ดูแลพื้นที่ทำงานให้มีความสะอาดและมีแสงไฟสว่าง พื้นที่ที่รกกระเถอะหรือมืดทึบอาจนำไปสู่การเกิดอุบัติเหตุได้
2. อย่าใช้งานเครื่องมือไฟฟ้าในสภาพที่อาจเกิดการกระเบิด เช่น ในสถานที่ที่มีของเหลว ก๊าซ หรือฝุ่นผงที่มีคุณสมบัติไวไฟ เครื่องมือไฟฟ้าอาจสร้างประกายไฟและจุดชนวนฝุ่นผงหรือก๊าซดังกล่าว
3. ดูแลไม่ให้มีเด็ก ๆ หรือบุคคลอื่นอยู่ในบริเวณที่กำลังใช้เครื่องมือไฟฟ้า การมีสิ่งรบกวนสมาธิอาจทำให้คุณสูญเสียการควบคุม

ความปลอดภัยด้านไฟฟ้า

1. ปลั๊กของเครื่องมือไฟฟ้าต้องพอดีกับเต้ารับ อย่าดัดแปลง ปลั๊กไม่ว่ากรณีใด ๆ อย่าใช้ปลั๊กถอดกับเครื่องมือไฟฟ้าที่ต่อสายดิน ปลั๊กที่ไม่ถูกดัดแปลงและเต้ารับที่เข้ากันพอดีจะช่วยลดความเสี่ยงของการเกิดไฟฟ้าช็อต
2. ระวังอย่าให้ร่างกายสัมผัสกับพื้นผิวที่ต่อสายดิน เช่น ท่อเครื่องนำความร้อน เตาหุงต้ม และตู้เย็น มีความเสี่ยงที่จะเกิดไฟฟ้าช็อตสูงขึ้น หากร่างกายของคุณสัมผัสกับพื้น
3. อย่าให้เครื่องมือไฟฟ้าถูกน้ำหรืออยู่ในสภาพเปียกชื้น น้ำที่ไหลเข้าไปในเครื่องมือไฟฟ้าจะเพิ่มความเสี่ยงของการเกิดไฟฟ้าช็อต
4. อย่าใช้สายไฟอย่างไม่เหมาะสม อย่าใช้สายไฟเพื่อยก吊หรือถอดปลั๊กเครื่องมือไฟฟ้า เก็บสายไฟให้ห่างจากความร้อน น้ำมัน ของมีคม หรือชิ้นส่วนที่เคลื่อนที่ สายที่ชำรุดหรือพันกันจะเพิ่มความเสี่ยงของการเกิดไฟฟ้าช็อต
5. ขณะที่ใช้งานเครื่องมือไฟฟ้านอกอาคาร ควรใช้สายต่อพ่วงที่เหมาะสมกับงานภายนอกอาคาร การใช้สายที่เหมาะสมกับงานภายนอกอาคารจะลดความเสี่ยงของการเกิดไฟฟ้าช็อต

6. หากต้องใช้งานเครื่องมือไฟฟ้าในสถานที่เปียกชื้น ให้ใช้อุปกรณ์ป้องกันกระแสไฟรั่ว (RCD) การใช้ RCD จะลดความเสี่ยงของการเกิดไฟฟ้าช็อต
7. เครื่องมือไฟฟ้าอาจสร้างสนามแม่เหล็ก (EMF) ที่ไม่เป็นอันตรายต่อผู้ใช้ อย่างไรก็ตาม ผู้ใช้ที่ใส่เครื่องกระตุ้นหัวใจและอุปกรณ์ทางการแพทย์ที่คล้ายกันนั้นควรติดต่อผู้ผลิต อุปกรณ์และ/หรือแพทย์เพื่อรับคำแนะนำก่อนใช้งานเครื่องมือไฟฟ้านี้

ความปลอดภัยส่วนบุคคล

1. ให้ระมัดระวังและหลีกเลี่ยงเสมอขณะใช้งานเครื่องมือไฟฟ้า อย่าใช้งานเครื่องมือไฟฟ้าในขณะที่คุณกำลังเหนื่อย หรือในสภาพที่มีเมฆมาจากยาเสพติด เครื่องดื่ม แอลกอฮอล์ หรือการใซ้ยา ช่วงเวลาที่ขาดความระมัดระวังเมื่อกำลังใช้งานเครื่องมือไฟฟ้าอาจทำให้ได้รับบาดเจ็บร้ายแรง
2. ใช้อุปกรณ์ป้องกันส่วนบุคคล สวมแว่นตาป้องกันเสมอ อุปกรณ์ป้องกัน เช่น หน้ากากกันฝุ่น รองเท้ากันภัยกันลื่น หมวกกันภัย หรือเครื่องป้องกันการได้ยินที่ใช้ในสภาพที่เหมาะสมจะช่วยลดการบาดเจ็บ
3. ป้องกันไม่ให้เกิดการเปิดใช้งานโดยไม่ตั้งใจ ตรวจสอบให้แน่ใจว่าสวิตช์ปิดอยู่ก่อนที่จะเชื่อมต่อกับแหล่งจ่ายไฟ และ/หรือชุดแบตเตอรี่ รวมทั้งตรวจสอบก่อนการยกหรือเคลื่อนย้ายเครื่องมือ การสอดนิ้วมือบริเวณสวิตช์เพื่อถือเครื่องมือไฟฟ้า หรือการชาร์จไฟเครื่องมือไฟฟ้าในขณะที่เปิดสวิตช์อยู่อาจนำไปสู่การเกิดอุบัติเหตุ
4. นำกฎแฉับรับตั้งหรือประแจออกก่อนที่จะเปิดเครื่องมือไฟฟ้า ประแจหรือกฎแฉับที่เสียบค้างอยู่ในชิ้นส่วนที่หมุนได้ของเครื่องมือไฟฟ้าอาจทำให้ได้รับบาดเจ็บ
5. อย่าทำงานในระยะเวลาที่สุดเอี่ยม จัดทำการยืนและการทรงตัวให้เหมาะสมตลอดเวลา เพราะจะทำให้ควบคุมเครื่องมือไฟฟ้าได้ดีขึ้นในสถานการณ์ที่ไม่คาดคิด
6. แต่งกายให้เหมาะสม อย่าสวมเครื่องแต่งกายที่หลวมเกินไป หรือสวมเครื่องประดับ ดูแลไม่ให้เส้นผมและเสื้อผ้าอยู่ใกล้ชิ้นส่วนที่เคลื่อนที่ เสื้อผ้ารุ่มร่าม เครื่องประดับหรือผมที่มีความยาวอาจเข้าไปติดในชิ้นส่วนที่เคลื่อนที่
7. หากมีการจัดอุปกรณ์สำหรับดูแลและจัดเก็บฝุ่นไว้ในสถานที่ ให้ตรวจสอบว่าได้เชื่อมต่อและใช้งานอุปกรณ์นั้นอย่างเหมาะสม การใช้เครื่องดูดและจัดเก็บฝุ่นจะช่วยลดอันตรายที่เกิดจากฝุ่นผงได้
8. อย่าให้ความคุ้นเคยจากการใช้งานเครื่องมือเป็นประจำ ทำให้คุณทำตามตามสบายและละเลยหลักการเพื่อความปลอดภัยในการใช้เครื่องมือ การกระทำที่ไม่ระมัดระวังอาจทำให้เกิดการบาดเจ็บร้ายแรงภายในเสี้ยววินาที
9. สวมใส่แว่นครอบตานิรภัยเพื่อปกป้องดวงตาของคุณจากการบาดเจ็บเมื่อใช้เครื่องมือไฟฟ้า แว่นครอบตาจะต้องได้มาตรฐาน ANSI Z87.1 ในสหรัฐอเมริกา, EN 166 ในยุโรป

หรือ AS/NZS 1336 ในออสเตรเลีย/นิวซีแลนด์

ในออสเตรเลีย/นิวซีแลนด์ จะต้องสวมเกราะป้องกัน
ใบหน้าเพื่อปกป้องใบหน้าของคุณอย่างถูกต้องตาม
กฎหมาย (ภาพที่ 1)

ด้วยผู้ว่าจ้างมีหน้าที่รับผิดชอบในการบังคับผู้ใช้งาน
เครื่องมือและบุคคลอื่น ๆ ที่อยู่ในบริเวณที่ปฏิบัติงาน
ให้ใช้อุปกรณ์ป้องกันที่เหมาะสม

การใช้และดูแลเครื่องมือไฟฟ้า

1. อย่าฝืนใช้เครื่องมือไฟฟ้า ใช้เครื่องมือไฟฟ้าที่เหมาะสม
กับการใช้งานของคุณ เครื่องมือไฟฟ้าที่เหมาะสมจะทำให้
ได้งานที่มีประสิทธิภาพและปลอดภัยกว่าตามขีดความสามารถ
ของเครื่องที่ได้รับการออกแบบมา
2. อย่าใช้เครื่องมือไฟฟ้า หากสวิตช์ไม่สามารถเปิดปิดได้
เครื่องมือไฟฟ้าที่ควบคุมด้วยสวิตช์ไม่ได้เป็นสิ่งอันตรายและ
ต้องได้รับการซ่อมแซม
3. ถอดปลั๊กจากแหล่งจ่ายไฟ และ/หรือชุดแบตเตอรี่ออก
จากเครื่องมือไฟฟ้าก่อนทำการปรับตั้ง เปลี่ยนอุปกรณ์
เสริม หรือจัดเก็บเครื่องมือไฟฟ้า วิธีการป้องกันด้านความ
ปลอดภัยดังกล่าวจะช่วยลดความเสี่ยงในการเปิดใช้งาน
เครื่องมือไฟฟ้าโดยไม่ตั้งใจ
4. จัดเก็บเครื่องมือไฟฟ้าที่ไม่ได้ใช้งานให้ห่างจากมือเด็ก
และอย่าอนุญาตให้บุคคลที่ไม่คุ้นเคยกับเครื่องมือไฟฟ้า
หรือคำแนะนำเหล่านี้ใช้งานเครื่องมือไฟฟ้า เครื่องมือ
ไฟฟ้าจะเป็นอันตรายเมื่ออยู่ในมือของผู้ที่ไม่ได้รับการฝึกอบรม
5. บำรุงรักษาเครื่องมือไฟฟ้าและอุปกรณ์เสริม ตรวจสอบ
การประกอบที่ไม่ถูกต้องหรือการเชื่อมต่อของชิ้นส่วนที่
เคลื่อนที่ การแตกหักของชิ้นส่วน หรือสภาพอื่น ๆ ที่อาจ
ส่งผลกระทบต่อการทำงานของเครื่องมือไฟฟ้า หากมี
ความเสี่ยงภัย ให้นำเครื่องมือไฟฟ้าไปซ่อมแซมก่อน
การใช้งาน อุบัติเหตุจำนวนมากเกิดจากการดูแลรักษา
เครื่องมือไฟฟ้าอย่างไม่ถูกต้อง
6. ทำความสะอาดเครื่องมือตัดและลับให้คมอยู่เสมอ
เครื่องมือการตัดที่มีการดูแลอย่างถูกต้องและมีขอบการตัดคม
มักจะมีปัญหาติดขัดน้อยและควบคุมได้ง่ายกว่า
7. ใช้เครื่องมือไฟฟ้า อุปกรณ์เสริม และวัสดุสิ้นเปลือง ฯลฯ
ตามคำแนะนำดังกล่าว พิจารณาสภาพการทำงานและ
งานที่เครื่องมือทำ การใช้เครื่องมือไฟฟ้าเพื่อทำงานอื่น
นอกเหนือจากที่กำหนดไว้ อาจทำให้เกิดอันตราย
8. ดูแลมือจับและบริเวณมือจับให้แห้ง สะอาด และไม่มี
น้ำมันและจาระบีเปื้อน มือจับและบริเวณมือจับที่ลื่นจะ
ทำให้ไม่สามารถจับและควบคุมเครื่องมือได้อย่างปลอดภัย
ในสถานการณ์ที่ไม่คาดคิด
9. ขณะใช้งานเครื่องมือ อย่าสวมใส่ถุงมือผ้าที่อาจเข้าไป
ติดในเครื่องมือได้ หากถุงมือผ้าเข้าไปติดในชิ้นส่วนที่กำลัง
เคลื่อนที่อยู่ อาจทำให้ได้รับบาดเจ็บ

การใช้งานและดูแลเครื่องมือที่ใช้แบตเตอรี่

1. ชาร์จไฟใหม่ด้วยเครื่องชาร์จที่ระบุโดยผู้ผลิตเท่านั้น
เครื่องชาร์จที่เหมาะสมสำหรับชุดแบตเตอรี่ประเภทหนึ่งอาจเสี่ยง
ที่จะเกิดไฟไหม้หากนำไปใช้กับชุดแบตเตอรี่อีกประเภทหนึ่ง
2. ใช้เครื่องมือไฟฟ้ากับชุดแบตเตอรี่ที่กำหนดมาโดยเฉพาะ
เท่านั้น การใช้ชุดแบตเตอรี่ประเภทอื่นอาจทำให้เสี่ยงที่จะ
ได้รับบาดเจ็บและเกิดไฟไหม้
3. เมื่อไม่ใช้งานชุดแบตเตอรี่ ให้เก็บห่างจากวัตถุที่เป็น
โลหะอื่น ๆ เช่น คลิปหนีบกระดาษ เหรียญ ญาญแจ
กรรไกรตัดเล็บ สกรู หรือวัตถุที่เป็นโลหะขนาดเล็กอื่น ๆ
ที่สามารถเชื่อมต่อขั้วหนึ่งกับอีกขั้วหนึ่งได้ การลัดวงจร
ขั้วแบตเตอรี่อาจทำให้อ่อนจัดหรือเกิดไฟไหม้
4. ในกรณีที่ใช้งานไม่ถูกต้อง อาจมีของเหลวไหลออกจาก
แบตเตอรี่ ให้หลีกเลี่ยงการสัมผัส หากสัมผัสโดน
ของเหลวโดยไม่ตั้งใจ ให้ล้างออกด้วยน้ำ หากของเหลว
กระเด็นเข้าตา ให้รีบไปพบแพทย์ ของเหลวที่ไหลออกจาก
แบตเตอรี่อาจทำให้ผิวหนังระคายเคืองหรือไหม้
5. ห้ามใช้ชุดแบตเตอรี่หรือเครื่องมือที่ชำรุดหรือมีการแก้ไข
แบตเตอรี่ที่เสียหายหรือมีการแก้ไขอาจทำให้เกิดสิ่งที่ไม่คาด
ไม่ถึงได้ เช่น ไฟไหม้ ระเบิด หรือเสี่ยงต่อการบาดเจ็บ
6. ห้ามให้ชุดแบตเตอรี่อยู่ใกล้ไฟ หรือบริเวณที่มีอุณหภูมิ
สูงเกิน หากโดนไฟ หรืออุณหภูมิสูงเกิน 130 °C อาจก่อให้เกิด
การระเบิดได้
7. กรุณาปฏิบัติตามคำแนะนำสำหรับการชาร์จไฟ และห้าม
ชาร์จแบตเตอรี่หรือเครื่องมือในบริเวณที่มีอุณหภูมิ
นอกเหนือไปจากที่ระบุในคำแนะนำ การชาร์จไฟที่ไม่
เหมาะสม หรืออุณหภูมิ นอกเหนือไปจากช่วงอุณหภูมิที่ระบุ
ในคำแนะนำอาจทำให้แบตเตอรี่เสียหายและเป็นการเพิ่ม
ความเสี่ยงในการเกิดไฟไหม้

การซ่อมบำรุง

1. นำเครื่องมือไฟฟ้าเข้ารับบริการจากช่างซ่อมที่ผ่านการ
รับรองโดยช่างโพลแบบเดียวกันเท่านั้น เพราะจะทำให้
การใช้เครื่องมือไฟฟ้ามีความปลอดภัย
2. ห้ามใช้ชุดแบตเตอรี่ที่เสียหาย ชุดแบตเตอรี่ที่ชำรุดเป็น
ชุดที่มาจากผู้ผลิต หรือผู้ให้บริการที่ได้รับอนุญาตเท่านั้น
3. ปฏิบัติตามคำแนะนำในการหล่อลื่นและการเปลี่ยน
อุปกรณ์เสริม

คำเตือนด้านความปลอดภัยของ เลื่อยวงกลมไร้สาย

GEB151-1

ขั้นตอนการตัด

1. ⚠️ อันตราย: ระงับอย่าให้มีสัมผัสกับพื้นที่การตัดและ
ใบเลื่อย วางมืออีกข้างของคุณไว้บนมือจับเสริมหรือ

ตัวมอเตอร์ ถ้าคุณจับเลื่อยไว้ทั้งสองมือ มือของคุณจะไม่ถูกใบเลื่อยบาด

2. **อย่าเอื้อมไปใต้ชิ้นงาน** อุปกรณ์ป้องกันไม่สามารถป้องกันคุณจากใบเลื่อยได้ชิ้นงานได้
3. **ปรับความลึกในการตัดให้เข้ากับความหนาของชิ้นงาน** คุณควรมองเห็นพื้นของใบเลื่อยได้ชิ้นงานแบบไม่เต็มซี่
4. **ห้ามถือชิ้นงานด้วยมือหรือวางพาดขาขณะตัด** ยึดชิ้นงานไว้กับแท่นที่มั่นคง การยึดชิ้นงานอยู่ข้างถูกต้องจะลดความเสี่ยงที่นิ้วของคุณจะได้รับการบาดเจ็บหรือได้รับอันตรายจากเครื่องมือใบเลื่อยติดในชิ้นงาน หรือการสูญเสียการควบคุม (ภาพที่ 2)
5. **ถือเครื่องมือไฟฟ้าโดยจับส่วนที่มีฉนวนหุ้ม ขณะปฏิบัติงาน** เครื่องมือตัดอาจไปสัมผัสกับสายไฟที่ซ่อนอยู่ หรือสายไฟของเครื่องมือเอง การสัมผัสกับสายไฟที่ "มีกระแสไฟฟ้าไหลผ่าน" จะทำให้ส่วนที่เป็นโลหะของเครื่องมือไฟฟ้าที่ไม่มีฉนวนหุ้ม "มีกระแสไฟฟ้าไหลผ่าน" และทำให้ผู้ปฏิบัติงานถูกไฟฟ้าช็อตได้
6. **ขณะที่ทำการตัด ให้ใจขาดตัดหรือตัวนำขอบตรงเสมอ** นี้จะช่วยเพิ่มความแม่นยำในการตัดและลดโอกาสที่ใบเลื่อยจะติดขัดได้
7. **ใช้ใบเลื่อยที่มีขนาดและรูปทรง (ทรงข้าวหลามตัดหรือทรงกลม) ของรูเวลาที่ถูกต้องเสมอ** ใบเลื่อยที่ไม่เข้าคู่กับสาร์ตแวร์ของเลื่อยนี้จะหลุดออกจากศูนย์กลาง เป็นเหตุให้สูญเสียการควบคุมได้
8. **ห้ามใช้แหวนหรือสลักเกลียวใบเลื่อยที่เสียหายหรือไม่ถูกต้อง** แหวนและสลักเกลียวใบเลื่อยได้รับการออกแบบมาเป็นพิเศษสำหรับเลื่อยของคุณเพื่อให้เกิดประสิทธิภาพสูงสุดและความปลอดภัยในการทำงาน

สาเหตุของการติดกลับและคำเตือนที่เกี่ยวข้อง

- การติดกลับ คือปฏิกิริยาสะท้อนกลับซึ่งพื้นผิวของใบเลื่อยถูกบีบแน่นจนเกินไป ใบเลื่อยติด หรือไม่ได้ถูกจัดให้อยู่ในตำแหน่งที่ถูกต้อง เป็นเหตุให้ใบเลื่อยสูญเสียการควบคุมตั้งขึ้น และหลุดจากชิ้นงานติดกลับมายังตัวผู้ปฏิบัติงาน
- เมื่อใบเลื่อยถูกบีบ หรือติดแน่นกับร่องตัด ใบเลื่อยจะหยุดกลางคัน และปฏิกิริยาของมอเตอร์จะส่งผลให้เครื่องติดกลับมายังผู้ปฏิบัติงานอย่างรวดเร็ว
- ถ้าใบเลื่อยบิดงอหรือประกอบไม่ถูกต้องอาจอยู่ในรอยตัดแล้ว พื้นเลื่อยตรงส่วนหลังของใบเลื่อยอาจกินเข้าไปในพื้นที่ผิวด้านบนสุดของไม้ ทำให้ใบเลื่อยหลุดออกจากร่องตัดและดึงกลับมาเข้าหาผู้ปฏิบัติงานได้

การติดกลับเป็นผลมาจากการใช้เลื่อยผิดจุดประสงค์และ/หรือการใช้ผิดวิธี และสามารถป้องกันได้ด้วยวิธีการป้องกันดังต่อไปนี้

1. **จับเลื่อยให้มั่นโดยใช้ทั้งสองมือและวางตำแหน่งแขนของคุณเพื่อให้สามารถทนแรงติดกลับได้** วางตำแหน่งร่างกายของคุณไว้ด้านใดด้านหนึ่งของใบเลื่อย แต่อย่าอยู่ในแนวเดียวกับกับใบเลื่อย การติดกลับอาจทำให้เลื่อย

ดิ่งกลับ แต่แรงติดกลับนั้นสามารถควบคุมได้โดยผู้ปฏิบัติงาน หากมีการระมัดระวังไว้ล่วงหน้าอย่างเหมาะสม

2. **เมื่อใบเลื่อยติดขัด หรือเมื่อต้องหยุดการตัดด้วยเหตุใดก็ตาม ให้ปล่อยสวิตช์สั่งงานและถือเลื่อยค้างไว้ในวัสดุเฉย ๆ จนกว่าใบเลื่อยจะหยุดสนิท** ห้ามพยายามถอดเลื่อยออกจากชิ้นงานหรือดึงเลื่อยถอยหลังขณะที่ใบเลื่อยยังเคลื่อนไหว มิฉะนั้นอาจเกิดการติดกลับได้ ตรวจสอบและแก้ไขเพื่อกำจัดสาเหตุที่ทำให้ใบเลื่อยติดขัด
3. **เมื่อเริ่มเดินเครื่องในชิ้นงานอีกครั้ง ให้วางใบเลื่อยตรงกลางร่องตัด เพื่อไม่ให้พื้นเลื่อยติดกับวัสดุ** หากใบเลื่อยติด อาจส่งผลให้เครื่องตั้งขึ้นหรือติดกลับจากชิ้นงานในขณะที่เริ่มเดินเครื่องใหม่
4. **รองรับแผ่นที่มีขนาดใหญ่เพื่อลดความเสี่ยงที่ใบเลื่อยจะถูกบีบและติดกลับ** แผ่นที่มีขนาดใหญ่มีแนวโน้มที่จะแอ่นลงเนื่องจากน้ำหนักของแผ่นเอง ตรวจสอบที่รองรับไว้ได้ แผ่นทั้งสองด้านให้ใกล้กับเส้นรอยตัดและใกล้ขอบของแผ่น (ภาพที่ 3 & 4)
5. **อย่าใช้ใบเลื่อยที่ทื่อหรือเสียหาย** ใบเลื่อยที่ไม่คมหรือติดตั้งไม่เหมาะสมจะทำให้ร่องตัดแคบ ทำให้เกิดการเสียดสีมากเกินควร ใบเลื่อยอาจติดขัด หรือติดกลับได้
6. **ก้านถือปรับความลึกของใบเลื่อยและมุมเอียงจะต้องแน่นและมั่นคงก่อนทำการตัด** ถ้าตัวปรับใบเลื่อยเคลื่อนที่ระหว่างการตัด อาจทำให้เกิดการติดขัดและติดกลับ
7. **ใช้ความระมัดระวังเป็นพิเศษขณะทำการเลื่อยกำแพงที่มีอยู่แล้วหรือพื้นที่มุมอับอื่นๆ** ใบเลื่อยที่ยื่นออกไปอาจตอกในสิ่งต่างๆ ที่ทำให้เกิดการติดกลับ
8. **จับเครื่องมือให้แน่นด้วยมือทั้งสองข้างเสมอ ห้ามวางมือขาหรือส่วนใดของร่างกายไว้ได้ฐานเครื่องมือหรือด้านหลังเลื่อย โดยเฉพาะในขณะที่ทำการตัดเป็นรูปกากบาท** หากเกิดการติดกลับ ใบเลื่อยจะสามารถดิ่งกลับเข้าหามือของคุณทำให้ได้รับบาดเจ็บรุนแรง (ภาพที่ 5)
9. **ห้ามใช้แรงกดบนเลื่อย ดันเลื่อยไปข้างหน้าด้วยความเร็วที่ใบเลื่อยจะตัดได้โดยไม่หมุนซ้ำลง** การใช้แรงกดบนเลื่อยอาจทำให้อยู่ติดไม่เท่ากัน สูญเสียความแม่นยำ และอาจเกิดการติดกลับ

การทำงานของอุปกรณ์ป้องกัน

1. **ตรวจสอบให้ที่ป้องกันด้านล่างปิดอยู่ในตำแหน่งที่เหมาะสมก่อนการใช้งานทุกครั้ง** อย่าใช้งานเลื่อยหากที่ป้องกันด้านล่างไม่สามารถเคลื่อนที่ได้อย่างอิสระและปิดในทันที อย่าหนีบหรือผูกที่ป้องกันด้านล่างไว้ในตำแหน่งเปิดค้างไว้ ถ้าทำเลื่อยตกอย่างไม่ได้ตั้งใจที่ป้องกันด้านล่างอาจงอได้ ยกที่ป้องกันด้านล่างขึ้นด้วยมือจับรับและตรวจสอบว่าอุปกรณ์เคลื่อนที่ได้อย่างอิสระและไม่สัมผัสกับใบเลื่อยหรือส่วนอื่นใดในทุกลมุมและทุกระดับความเสี่ยงในการตัด

2. ตรวจสอบการทำงานของสปริงที่ป้องกันด้านล่าง ถ้าอุปกรณ์ป้องกันและสปริงทำงานไม่ถูกต้อง ก็ควรต้องซ่อมแซมก่อนใช้งาน ที่ป้องกันด้านล่างอาจทำงานอย่างผิดปกติเนื่องจากมีชิ้นส่วนที่เสียหาย เช่นแหวนหรือฝุ่นผงที่สะสม
3. คุณอาจพบเก็บที่ป้องกันด้านล่างด้วยตนเองสำหรับการตัดแบบพิเศษเช่น "จ้วงตัด" และ "ตัดแบบผสม" ยกที่ป้องกันด้านล่างด้วยมือจับรั้ง และเมื่อใบเลื่อยตัดเข้าเนื้อวัสดุ ให้ปล่อยที่ป้องกันด้านล่าง สำหรับการเลื่อยอื่นๆ ที่ป้องกันด้านล่างควรทำงานโดยอัตโนมัติ
4. สังเกตเสมอว่าที่ป้องกันด้านล่างครอบใบเลื่อยอยู่ก่อนที่จะวางเลื่อยลงบนที่นั่งหรือพื้น ใบเลื่อยที่ยังหมุนอยู่และไม่มีการป้องกันจะทำให้เลื่อยขยับถอยหลังและตัดทุกสิ่งที่อยู่ในรัศมี คุณต้องตระหนักถึงระยะเวลาที่ใบเลื่อยจะหยุดหลังจากปล่อยสวิตช์แล้ว
5. เมื่อต้องการตรวจสอบที่ป้องกันด้านล่าง ให้เปิดที่ป้องกันด้านล่างด้วยมือ จากนั้นให้ปล่อยและดูการปิดของที่ป้องกัน และตรวจสอบว่ามีมือจับรั้งไม่สัมผัสกับกรอบเครื่องมือ การเปิดใบเลื่อยเปลี่ยนเป็นอันตรายอย่างมากและอาจทำให้เกิดการบาดเจ็บร้ายแรง
10. ใช้ใบเลื่อยที่มีเส้นผ่านศูนย์กลางตามที่ทำเครื่องหมายไว้บนเครื่องมือหรือระบุไว้ในคู่มือเท่านั้น การใช้ใบเลื่อยที่มีขนาดไม่ถูกต้องอาจส่งผลกระทบต่อการทำงานที่ปลอดภัยของใบเลื่อยและการทำงานของอุปกรณ์ป้องกันซึ่งอาจส่งผลให้เกิดการบาดเจ็บร้ายแรง
11. ทำความสะอาดใบเลื่อยและลับให้คมอยู่เสมอ อย่างไม่เหนียวและยางที่แข็งตัวอยู่บนใบเลื่อยจะทำให้เลื่อยหมุนช้าลงและเพิ่มโอกาสในการติดกลับ รักษาความสะอาดของใบเลื่อยโดยเริ่มจากถอดใบเลื่อยออกจากเครื่องมือ แล้วทำความสะอาดด้วยน้ำยาทำความสะอาดที่ไม่ น้ำร้อน หรือน้ำมันก๊าด ห้ามใช้น้ำมันเชื้อเพลิงเด็ดขาด
12. สวมหน้ากากกันฝุ่นและเครื่องป้องกันการได้ยินขณะใช้งานเครื่องมือ
13. ใช้ใบเลื่อยที่เหมาะสมกับวัสดุที่ต้องการจะตัดเสมอ
14. ใช้ใบเลื่อยที่มีความเร็วที่กำหนดบนใบเลื่อยเท่ากับหรือมากกว่าความเร็วที่กำหนดบนเครื่องมือเท่านั้น
15. (สำหรับประเทศในทวีปยุโรปเท่านั้น)
ใช้ใบเลื่อยที่สอดคล้องตามมาตรฐาน EN847-1 เสมอ

คำเตือนด้านความปลอดภัยเพิ่มเติม

1. ใช้ความระมัดระวังเป็นพิเศษในการตัดไม้ที่เปียกชื้น ไม้ที่ผ่านการใช้แรงอัด หรือไม้ที่มีเนื้อติดอยู่ คอยๆ ดันเครื่องมือไปอย่างรวดเร็วโดยไม่ลดความเร็วของใบเลื่อยเพื่อไม่ให้ปลายใบเลื่อยร้อนเกินไป
2. อย่าพยายามถอดวัสดุตัดออกขณะที่ใบเลื่อยยังเคลื่อนไหวอยู่ รอจนกว่าใบเลื่อยจะหยุดแล้วจึงค่อยจับวัสดุตัด ใบเลื่อยยังหมุนหลังจากปิดเครื่องแล้ว
3. หลีกเลี่ยงการตัดตะปู ตรวจสอบและถอนตะปูทั้งหมดออกจากไม้ก่อนทำการตัด
4. วางส่วนฐานเลื่อยด้านที่กว้างกว่าไว้บนส่วนของชิ้นงานที่มีการรองรับอย่างมั่นคงแล้ว ไม่วางบนส่วนที่จะตกลงไปเมื่อทำการตัดเสร็จ ถ้าชิ้นงานสั้นหรือมีขนาดเล็ก ให้หนีบไว้ อย่าพยายามจับชิ้นส่วนสั้นๆ ด้วยมือ! (ภาพที่ 6)
5. ก่อนวางเครื่องมือลงหลังจากทำการตัดเสร็จแล้ว ให้ตรวจสอบว่าที่ป้องกันปิดแล้วและใบเลื่อยหยุดสนิท
6. อย่าพยายามเลื่อยโดยใช้ที่จับหรือสิ่งอื่น ๆ จับเลื่อยวงกลมหงายขึ้น การกระทำนี้อันตรายเป็นอย่างมากและอาจนำไปสู่อุบัติเหตุร้ายแรงได้ (ภาพที่ 7)
7. วัสดุบางอย่างอาจมีสารเคมีที่เป็นพิษ ระวังอย่าสูดดม ฝุ่นหรือสัมผัสกับผิวหนัง ปฏิบัติตามข้อมูลด้านความปลอดภัยของผู้ผลิตวัสดุ
8. อย่าหยุดใบเลื่อยด้วยการกดด้านข้างของใบเลื่อย
9. อย่าใช้ล้อขัดใดๆ

ปฏิบัติตามคำแนะนำเหล่านี้

- ⚠ คำเตือน: อย่าให้ความไม่ระมัดระวังหรือความคุ้นเคยกับผลิตภัณฑ์ (จากการใช้งานซ้ำหลายครั้ง) อยู่เหนือการปฏิบัติตามกฎเกณฑ์ด้านความปลอดภัยในการใช้งานผลิตภัณฑ์อย่างเคร่งครัด การใช้งานที่ไม่เหมาะสมหรือการไม่ปฏิบัติตามกฎเกณฑ์ด้านความปลอดภัยในคู่มือการใช้งานนี้อาจทำให้ได้รับบาดเจ็บร้ายแรง

คำแนะนำเพื่อความปลอดภัยที่สำคัญสำหรับดัลล์แบดเตอร์

ENC009-5

1. ก่อนใช้งานดัลล์แบดเตอร์ ให้อ่านคำแนะนำและเครื่องหมายเตือนทั้งหมดบน (1) เครื่องชาร์จแบดเตอร์ (2) แบดเตอร์ และ (3) ตัวผลิตภัณฑ์ที่ใช้แบดเตอร์
2. ห้ามถอดแยกส่วนดัลล์แบดเตอร์
3. หากระยะเวลาที่เครื่องทำงานสั้นเกินไป ให้หยุดใช้งานทันที เนื่องจากอาจมีความเสี่ยงที่จะร้อนจัด ไหม้หรือระเบิดได้
4. หากสารละลายอิเล็กทรอนิกส์กระเด็นเข้าตา ให้ล้างออกด้วยน้ำเปล่าและรีบไปพบแพทย์ทันที เนื่องจากอาจทำให้ตาบอด
5. ห้ามลัดวงจรดัลล์แบดเตอร์:
 - (1) ห้ามแตะขั้วกับวัตถุที่เป็นสื่อไฟฟ้าใดๆ
 - (2) หลีกเลี่ยงการเก็บดัลล์แบดเตอร์ไว้ในภาชนะร่วมกับวัตถุที่เป็นโลหะ เช่น กรรไกรตัดเล็บ เหรียญ ฯลฯ
 - (3) อย่าให้ดัลล์แบดเตอร์ถูกน้ำหรือฝน

แบตเตอรี่ลัดวงจรอาจทำให้เกิดการไหลของกระแสไฟฟ้า
ร้อนจัด ไหมหรือเสียหายได้

- ห้ามเก็บเครื่องมือและตลับแบตเตอรี่ไว้ในสถานที่ที่มีอุณหภูมิสูงถึงหรือเกิน 50 °C
- ห้ามเผาตลับแบตเตอรี่ทิ้ง แม้ว่าแบตเตอรี่จะเสียหายจนใช้การไม่ได้หรือเสื่อมสภาพแล้ว ตลับแบตเตอรี่อาจจะเปิดในกองไฟ
- ระวังอย่าทำแบตเตอรี่ตกหล่นหรือกระทบกระแทก
- ห้ามใช้แบตเตอรี่ที่เสียหาย
- แบตเตอรี่ลิเทียมไอออนที่มีมาให้นั้นเป็นไปตามข้อกำหนดของ Dangerous Goods Legislation สำหรับการขนส่งเพื่อการพาณิชย์ เช่น โดยบุคคลที่สาม ตัวแทนขนส่งสินค้า จะต้องตรวจสอบข้อกำหนดพิเศษในด้านการบรรจุหีบห่อหรือการติดป้ายสินค้า ในการเตรียมสินค้าที่จะขนส่ง ให้ปรึกษาผู้เชี่ยวชาญด้านวัตถุอันตราย โปรดตรวจสอบข้อกำหนดในประเทศที่อาจมีรายละเอียดอื่นๆ เพิ่มเติม ให้ติดเทปหรือปิดหน้าสัมผัสและห่อแบตเตอรี่ในลักษณะที่แบตเตอรี่จะไม่เคลื่อนที่ไปมาในหีบห่อ
- ปฏิบัติตามข้อบังคับในท้องถิ่นเกี่ยวกับการกำจัดแบตเตอรี่
- ใช้แบตเตอรี่กับผลิตภัณฑ์ที่ระบุโดย Makita เท่านั้น การติดตั้งแบตเตอรี่ในผลิตภัณฑ์ที่ไม่ใช่ตามที่ระบุอาจทำให้เกิดไฟไหม้ ความร้อนสูง ระเบิด หรืออิเล็กทรอนิกส์ที่ไหลได้

ปฏิบัติตามคำแนะนำเหล่านี้

⚠ ข้อควรระวัง: ใช้แบตเตอรี่ของแท้จาก Makita เท่านั้น การใช้แบตเตอรี่ Makita ที่ไม่แท้ หรือแบตเตอรี่ที่ถูกเปลี่ยน อาจทำให้แบตเตอรี่ระเบิด ก่อให้เกิดเพลิงลุกไหม้ การบาดเจ็บ และความเสียหายได้ และจะทำให้การรับประกันของ Makita สำหรับเครื่องมือและแท่นชาร์จของ Makita เป็นโมฆะด้วย

เคล็ดลับในการรักษาอายุการใช้งานของ

แบตเตอรี่ให้ยาวนานที่สุด

- ชาร์จตลับแบตเตอรี่ก่อนที่ไฟจะหมด หยุดการใช้งานแล้วชาร์จประจุไฟฟ้าใหม่ทุกครั้งเมื่อคุณรู้สึกว่าการเต็มมีกำลังลดลง
- อย่าชาร์จตลับแบตเตอรี่ที่มีไฟเต็มแล้ว การชาร์จประจุไฟฟ้ามากเกินไปอาจจะทำให้อายุการใช้งานของตลับแบตเตอรี่สั้นลง
- ชาร์จประจุไฟฟ้าตลับแบตเตอรี่ในห้องที่มีอุณหภูมิระหว่าง 10 °C - 40 °C ปล่อยให้ตลับแบตเตอรี่เย็นลงก่อนที่จะชาร์จไฟ

คำอธิบายการใช้งาน

⚠ ข้อควรระวัง:

- ตรวจสอบว่าปิดสวิตช์เครื่องและถอดตลับแบตเตอรี่ออกก่อนทำการปรับเปลี่ยนหรือตรวจสอบการทำงานของเครื่อง

การประกอบหรือการถอดตลับแบตเตอรี่

(ภาพที่ 8)

⚠ ข้อควรระวัง:

- ปิดสวิตช์เครื่องทุกครั้งก่อนใส่หรือถอดตลับแบตเตอรี่
- ถือเครื่องมือและตลับแบตเตอรี่ให้แน่นในขณะที่ประกอบหรือถอดตลับแบตเตอรี่ การไม่มีเครื่องมือและตลับแบตเตอรี่ให้แน่นอาจทำให้อุปกรณ์ดังกล่าวลื่นหลุดจากมือของคุณ ซึ่งจะให้เครื่องมือและตลับแบตเตอรี่ชำรุดเสียหายและเกิดการบาดเจ็บได้

สำหรับการถอดตลับแบตเตอรี่ ให้ถอดตลับแบตเตอรี่ออกจากเครื่องมือโดยการกดปุ่มทั้งสองข้างของตลับ

สำหรับการใส่ตลับแบตเตอรี่ ให้ถือตลับแบตเตอรี่โดยให้ด้านหน้าตรงกับช่องใส่แบตเตอรี่ที่เปิดอยู่ และเลื่อนแบตเตอรี่เข้าไปในช่องใส่แบตเตอรี่เข้าไปจนสุดจนกว่าจะล็อกเข้าที่สนิทโดยจะได้ยินเสียงดังคลิกเบาๆ

⚠ ข้อควรระวัง:

- ใส่ตลับแบตเตอรี่เข้าไปจนสุดจนกว่าจะล็อกเข้าที่สนิทเสมอ มิฉะนั้น แบตเตอรี่อาจร่วงหล่นออกจากเครื่องอย่างไม่ตั้งใจ และทำให้คุณหรือบุคคลอื่นที่อยู่รอบๆ ได้รับบาดเจ็บได้
- อย่าฝืนใส่ตลับแบตเตอรี่ หากตลับแบตเตอรี่เลื่อนเข้าไปไม่ได้ลำบาก อาจเป็นเพราะใส่แบตเตอรี่ไม่ถูกต้อง

ระบบป้องกันแบตเตอรี่

เครื่องมือนี้มาพร้อมกับระบบป้องกันแบตเตอรี่ ซึ่งจะตัดไฟเข้ามอเตอร์โดยอัตโนมัติเพื่อหยุดอายุแบตเตอรี่

เครื่องมืออาจหยุดลงระหว่างการทำงาน เมื่อเครื่องมือและ/หรือแบตเตอรี่อยู่ภายใต้สถานการณ์ต่อไปนี้:

- ทำงานหนักเกินกำลัง:

เครื่องมือถูกใช้งานในลักษณะที่ก่อให้เกิดการดึงกระแสไฟฟ้าสูงผิดปกติ

ในสถานการณ์นี้ ปลั๊กไกลสวิตช์บนเครื่องมือแล้วหยุดการใช้งานที่ทำให้เครื่องมือต้องทำงานหนักเกินกำลัง จากนั้นจึงดึงไกลสวิตช์อีกครั้งเพื่อเริ่มการทำงานใหม่

- แรงดันแบตเตอรี่ต่ำ:

ความจุแบตเตอรี่เหลืออยู่น้อยเกินไป และเครื่องมือจะไม่ทำงาน หากคุณดึงไกลสวิตช์ มอเตอร์จะทำงานอีกครั้งแต่จะหยุดลงอย่างรวดเร็ว ในสถานการณ์นี้ ให้ถอดและเปลี่ยนแบตเตอรี่

การปรับความลึกของการตัด (ภาพที่ 9)

⚠ ข้อควรระวัง:

- หลังจากการปรับความลึกของการตัดแล้ว ให้ขันสกรูยึดให้แน่นเสมอ

คลายสกรูยึดของแนววัดความลึก และเลื่อนฐานรองขึ้นหรือลงเมื่อได้ความลึกของการตัดตามที่ต้องการ ให้ยึดฐานรองให้แน่นด้วยสกรูยึด

สำหรับการทำความสะอาด การตัดที่ปลอดภัย การกำหนดความลึกของการตัดไม่ควรให้ฟันของใบเลื่อยมากกว่าหนึ่งซี่ยื่นลงด้านใต้ของชิ้นงาน การใช้ความลึกของการตัดที่เหมาะสมจะช่วยลดความเสี่ยงจากอันตรายของการตัดกลับซึ่งสามารถทำให้ได้รับบาดเจ็บได้

การตัดมุมเอียง (ภาพที่ 10)

คลายเกลียวสกรูยึดของแผ่นสเกลวัดมุมเอียงที่อยู่ด้านหน้าของฐานรอง กำหนดมุมที่ต้องการ (0° - 45°) โดยการเอียงตามมุมดังกล่าว จากนั้นให้ขันสกรูยึดให้แน่น

การเล็งระยะ (ภาพที่ 11)

สำหรับการตัดในแนวตรง ให้จัดตำแหน่ง A ที่อยู่ด้านหน้าของฐานรองตามแนวการตัดของคุณ สำหรับการตัดมุมเอียง 45° ให้จัดตำแหน่ง B ตามมุมดังกล่าว

การทำงานของสวิตช์ (ภาพที่ 12)

⚠ ข้อควรระวัง:

- ก่อนใส่ตัวสวิตช์เข้าไปในเครื่อง ให้ตรวจสอบทุกครั้งว่า ไกสวิตช์ทำงานปกติและกลับมาสู่ตำแหน่ง "ปิด" เมื่อปล่อยโยหรือไม
- อย่าดึงไกสวิตช์อย่างรุนแรงโดยไม่ได้คั่นลอค เพราะอาจทำให้สวิตช์แตกหักได้

เพื่อป้องกันไม่ให้ไกสวิตช์ถูกดึงอย่างไม่ตั้งใจ จึงมีการติดตั้งคั่นลอคเอาไว้ ในการเริ่มต้นใช้งานเครื่อง ให้เลื่อนคั่นลอคและดึงไกสวิตช์ปล่อยไกสวิตช์เพื่อหยุดการทำงาน

⚠ คำเตือน:

- เพื่อความปลอดภัยของคุณ เครื่องมือนี้จะมีคั่นลอคที่จะช่วยป้องกันเครื่องมือไม่ให้เกิดทำงานอย่างไม่ตั้งใจ อย่าใช้เครื่องมือหากมันเปิดทำงานเมื่อคุณแคดดึงไกสวิตช์โดยไม่ได้คั่นลอค นำเครื่องมือส่งศูนย์บริการของ Makita เพื่อทำการซ่อมแซมอย่างถูกต้องก่อนการใช้งานต่อไป
- อย่าติดเทป หรือทำให้วัตถุประสงค์และการทำงานของคั่นลอคผิดเพี้ยนไป

ชิ้นส่วนของเครื่อง

⚠ ข้อควรระวัง:

- ตรวจสอบว่าปิดสวิตช์เครื่องและถอดปลั๊กแบตเตอรี่ออกเสมอ ก่อนที่จะใช้งานใดๆ กับเครื่อง

การถอดหรือการประกอบใบเลื่อย (ภาพที่ 13)

⚠ ข้อควรระวัง:

- ตรวจสอบว่าได้ติดตั้งใบเลื่อยโดยให้ฟันเลื่อยชี้ขึ้นด้านหน้าของเครื่องมือ
- ใช้ประแจกระบอกของ Makita เท่านั้นเพื่อประกอบหรือการนำใบเลื่อยออก

ในการถอดใบเลื่อยออก ให้กดตัวลอคเพลลาจจนสุดเพื่อไม่ให้ใบเลื่อยสามารถหมุนได้ และใช้ประแจกระบอกเพื่อคลายโบลต์หกเหลี่ยมทวนเข็มนาฬิกา จากนั้นให้ถอดโบลต์หกเหลี่ยม ขอบด้านนอก และใบเลื่อยออก (ภาพที่ 14)

ในการประกอบใบเลื่อย ให้ปฏิบัติตามขั้นตอนการถอดในด้านที่ตรงกันข้าม ตรวจสอบว่าได้ขันโบลต์หกเหลี่ยมตามเข็มนาฬิกาจนแน่น (ภาพที่ 15)

หมายเหตุ:

- หากมีการนำขอบด้านในออกโดยไม่ตั้งใจ ให้ติดตั้งขอบด้านในโดยให้ส่วนที่ยื่นออกมาของขอบ (ด้านที่ใหญ่กว่า) หันหน้าเข้าข้างในตามที่แสดงในภาพ

เมื่อทำการเปลี่ยนใบเลื่อย ให้ตรวจสอบว่าได้ทำความสะอาดโดยการนำขี้เลื่อยที่สะสมออกจากเครื่องป้องกันใบเลื่อยด้านบนและด้านล่าง อย่างไรก็ตาม การกระทำดังกล่าวไม่สามารถใช้แทนการตรวจสอบการทำงานของเครื่องป้องกันด้านล่างก่อนใช้งานทุกครั้ง

ที่จัดเก็บประแจหกเหลี่ยม (ภาพที่ 16)

เมื่อไม่ใช้งาน ให้จัดเก็บประแจหกเหลี่ยมตามที่แสดงไว้ในภาพเพื่อป้องกันการสูญหาย

การเชื่อมต่อกับเครื่องดูดฝุ่น

อุปกรณ์เสริม (ภาพที่ 17 & 18)

เมื่อคุณต้องการทำความสะอาดการตัด ให้เชื่อมต่อเครื่องดูดฝุ่น Makita กับเครื่องมือของคุณ ติดตั้งหัวฉีดกำจัดฝุ่น (อุปกรณ์เสริม) เข้ากับเครื่องมือโดยใช้สกรูยึด จากนั้นให้เชื่อมต่อสายของเครื่องดูดฝุ่นเข้ากับหัวฉีดกำจัดฝุ่นตามที่แสดงในภาพ

การทำงาน

⚠ ข้อควรระวัง:

- ตรวจสอบว่าได้ค่อยๆ ทำการเคลื่อนย้ายเครื่องมือไปข้างหน้าในแนวตรง การฝืนหรือบิดเครื่องมือจะทำให้มอเตอร์มีความร้อน

มากขึ้นไป และเกิดอันตรายจากการติดกลับซึ่งอาจทำให้ผู้ใช้ได้รับบาดเจ็บอย่างรุนแรง

หมายเหตุ:

- เมื่อดัดกลับแบบเตอร์มีอุณหภูมิต่ำ เครื่องมืออาจทำงานไม่เต็มประสิทธิภาพ
- ตัวอย่างเช่น ในตอนนี้ให้ใช้เครื่องมือสำหรับงานตัดขนาดเบาลักครู่หนึ่งจนกว่าดัดกลับแบบเตอร์จะอุ่นขึ้นเท่ากับอุณหภูมิห้อง จากนั้น เครื่องมือจะสามารถทำงานได้อย่างเต็มประสิทธิภาพ (ภาพที่ 19)

ถือเครื่องมืออย่างมั่นคง เครื่องมือนี้ติดตั้งทั้งมือจับด้านหน้า (โครงครอบมอเตอร์) และมือจับด้านหลัง ใช้มือจับทั้งสองข้างเพื่อให้จับเครื่องมือได้อย่างมั่นคง หากใช้มือทั้งสองข้างถือเครื่องมือไว้ ใบเลื่อยก็จะไม่สามารถตัดถูกมือได้ จัดตำแหน่งฐานรองบนชิ้นงานที่จะตัดโดยไม่ให้ใบเลื่อยสัมผัสกับสิ่งใด จากนั้นให้เปิดสวิตช์เครื่องมือ และรอกจนกว่าใบเลื่อยจะหมุนด้วยความเร็วสูงสุด ในตอนนี้ให้เลื่อนเครื่องมือไปข้างหน้าบนพื้นผิวของชิ้นงาน รักษาตำแหน่งของเครื่องมือให้อยู่ในแนวระนาบและค่อยๆ เลื่อนเครื่องมือไปข้างหน้าช้าๆ จนกว่าการตัดจะเสร็จสิ้น เพื่อให้ได้งานตัดที่เรียบร้อย ให้จัดแนวการจัดของคุณเป็นเส้นตรง และเคลื่อนเครื่องมือไปข้างหน้าด้วยความเร็วระดับเดียวกัน หากการตัดไม่เป็นไปตามแนวการตัดที่คุณตั้งใจไว้ อย่าพยายามหมุนหรือฝืนใช้เครื่องมือให้กลับไปยังแนวการตัดดังกล่าว การกระทำดังกล่าวอาจทำให้ใบเลื่อยติดขัดซึ่งนำไปสู่การติดกลับที่เป็นอันตราย และอาจทำให้ผู้ใช้ได้รับบาดเจ็บรุนแรง คลายไกสวิตช์ รอกจนกว่าใบเลื่อยจะหยุดหมุน และถอนเครื่องมือออก จัดตำแหน่งเครื่องมือตามแนวการตัดใหม่ และเริ่มตัดอีกครั้งหนึ่ง พยายามหลีกเลี่ยงการจัดตำแหน่งที่ผู้ปฏิบัติจะสัมผัสถูกเศษวัสดุ และขี้เลื่อยที่ออกมาจากเครื่องมือเลื่อย ใช้เครื่องป้องกันดวงตาเพื่อหลีกเลี่ยงการได้รับบาดเจ็บ

จาก (แถบกำหนดแนว) (อุปกรณ์เสริม) (ภาพที่ 20)

ฉากอเนกประสงค์จะช่วยให้คุณทำการตัดในแนวตรงได้แม่นยำเป็นพิเศษ เพียงเลื่อนฉากขึ้นเบาๆ ขนานกับด้านข้างของชิ้นงาน และยึดให้อยู่ในตำแหน่งที่ต้องการด้วยสกรูที่อยู่ด้านบนของฐานรอง และยังสามารถทำการตัดซ้ำๆ ได้ด้วยความกว้างเดียวกัน

การดูแลรักษา

⚠️ ข้อควรระวัง:

- ตรวจสอบว่าเปิดสวิตช์เครื่องและถอดดัดกลับแบบเตอร์ออกแล้ว ก่อนทำการตรวจสอบหรือดูแลรักษาเครื่อง
- อย่าใช้น้ำมันเชื้อเพลิง เบนซิน ทินเนอร์ แอลกอฮอล์ หรือวัสดุประเภทเดียวกัน เพราะอาจทำให้เครื่องมือลื่นหรือเกิดประกายไฟหรือแตกหักได้

เพื่อดูแลให้ผลิตภัณฑ์มีความปลอดภัยและไว้วางใจได้ ควรนำส่งผลิตภัณฑ์ให้แก่ศูนย์บริการที่ได้รับอนุญาตของ Makita ดำเนินการ

ซ่อมแซม ดูแลรักษา หรือเปลี่ยนอะไหล่ และใช้อะไหล่แท้ของ Makita เท่านั้น

อุปกรณ์เสริม

⚠️ ข้อควรระวัง:

- ขอแนะนำให้ใช้อุปกรณ์เสริมหรือส่วนประกอบเหล่านี้กับเครื่องมือ Makita ของคุณตามที่ระบุในคู่มือนี้ การใช้อุปกรณ์เสริมหรือส่วนประกอบอื่นอาจทำให้ผู้ใช้ได้รับบาดเจ็บ ใช้อุปกรณ์เสริมหรือส่วนประกอบตามที่ระบุไว้เท่านั้น

หากคุณต้องการทราบรายละเอียดเพิ่มเติมเกี่ยวกับอุปกรณ์เสริมดังกล่าว โปรดสอบถามศูนย์บริการของ Makita ในพื้นที่ของคุณ

- ใบเลื่อย
- จาก (แถบกำหนดแนว)
- ประแจหกเหลี่ยม 4
- หัวขีดกำลังคู่
- แบตเตอรี่และแท่นชาร์จของแท้ของ Makita

หมายเหตุ:

- อุปกรณ์เสริมบางรายการอาจเป็นอุปกรณ์เสริมมาตรฐานที่รวมอยู่ในชุดเครื่องมือแล้ว ทั้งนี้ อาจมีความแตกต่างกันในแต่ละประเทศ

Makita Corporation
3-11-8, Sumiyoshi-cho,
Anjo, Aichi 446-8502 Japan

884978C370

www.makita.com

ALA