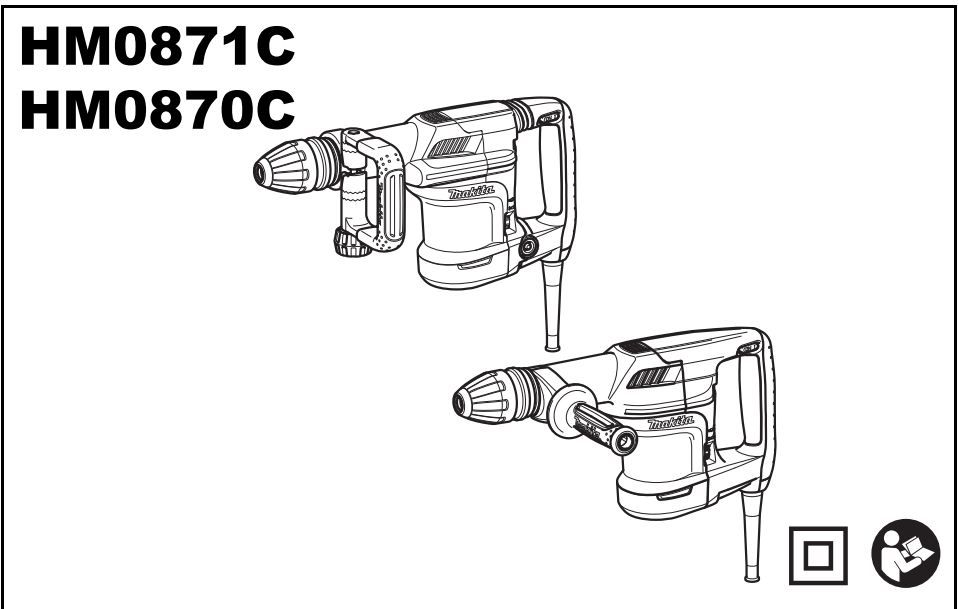
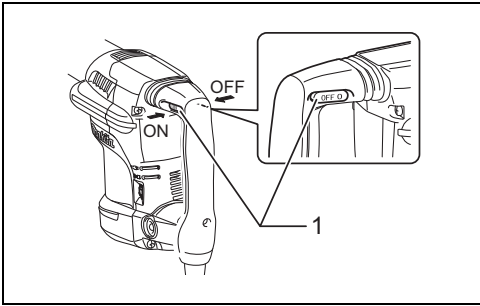




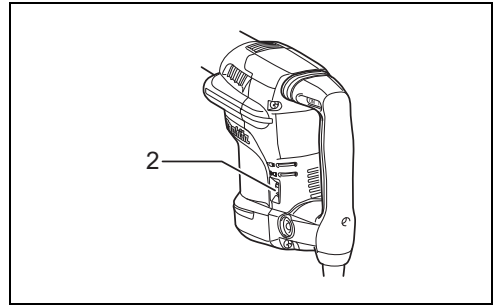
<b>GB</b>	Demolition Hammer	Instruction manual
<b>ZHCN</b>	电镐	使用说明书
<b>ID</b>	Mesin Bobok	Petunjuk penggunaan
<b>VI</b>	Máy Đục Bê Tông Cảm Tay Hoạt Động Bằng Động Cơ Điện	Tài liệu hướng dẫn
<b>TH</b>	เครื่องเจาะสกัด	คู่มือการใช้งาน





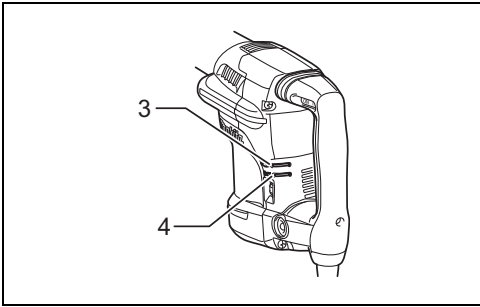
1

010454



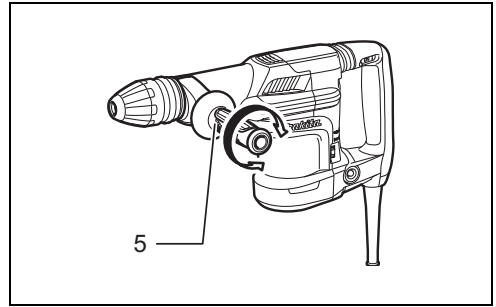
2

010465



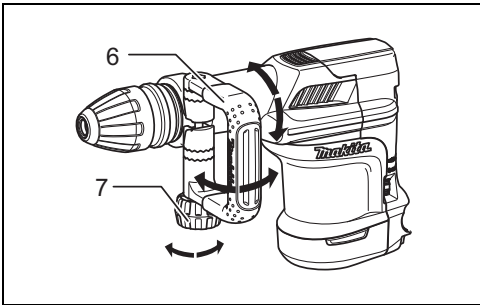
3

010456



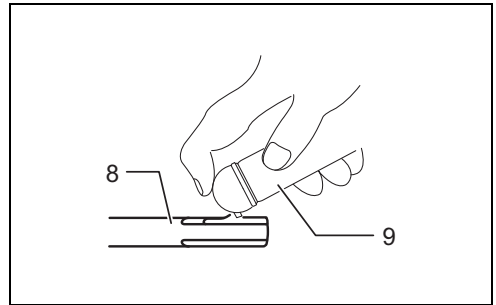
4

010494



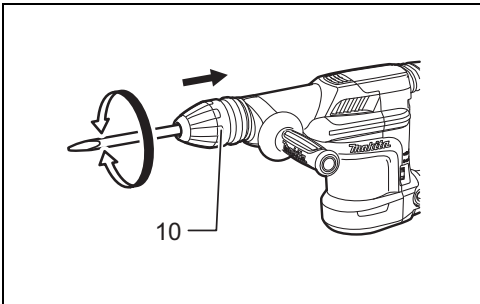
5

010453



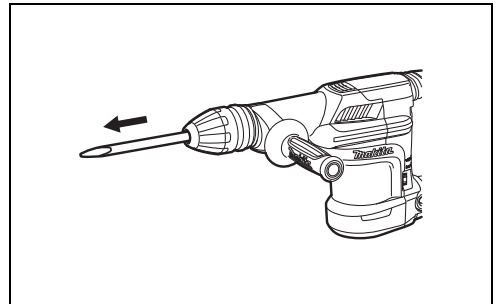
6

009664



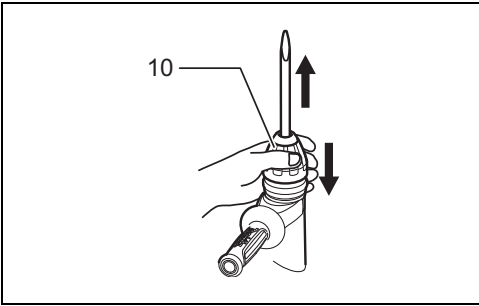
7

010489



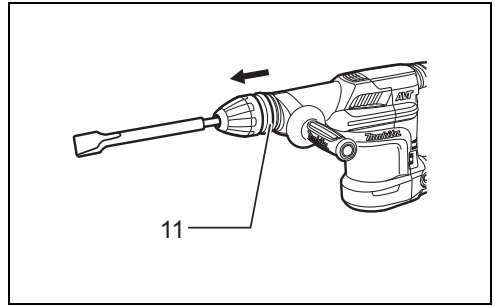
8

010490



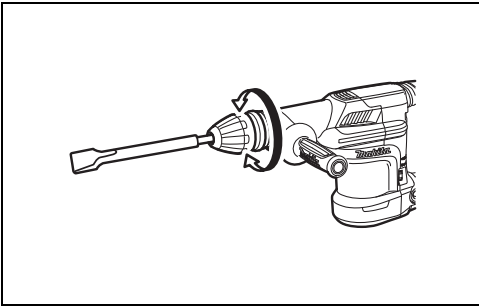
9

010491



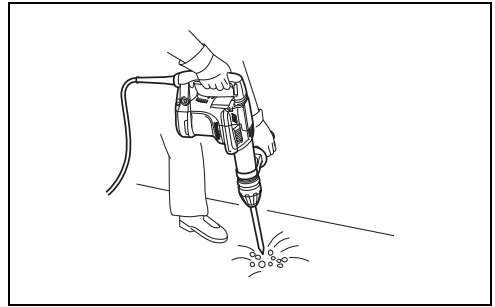
10

010492



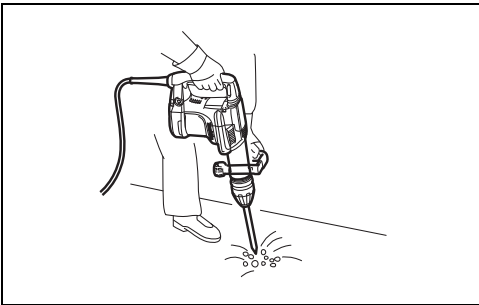
11

010493



12

010495



13

010455

**Explanation of general view**

- |                                    |                     |                     |
|------------------------------------|---------------------|---------------------|
| 1. Switch lever                    | 7. Clamp nut        | 13. Connector       |
| 2. Adjusting dial                  | 8. Bit shank        | 14. White           |
| 3. Power-ON indicator lamp (green) | 9. Bit grease       | 15. Black           |
| 4. Service indicator lamp (red)    | 10. Releasing cover | 16. Crank cap cover |
| 5. Side grip (auxiliary handle)    | 11. Change ring     | 17. Screwdriver     |
| 6. D-sided side handle             | 12. Screws          | 18. Grease          |

**SPECIFICATIONS**

Model	HM0871C	HM0870C
Blows per minute	1,100 - 2,650 min <sup>-1</sup>	
Overall length	466 mm	449 mm
Net weight	5.6 kg	5.1 kg
Safety class	□/II	

- Due to our continuing programme of research and development, the specifications herein are subject to change without notice.
- Specifications may differ from country to country.
- Weight according to EPTA-Procedure 01/2003

END201-4

**Symbols**

The following show the symbols used for the equipment. Be sure that you understand their meaning before use.



..... Read instruction manual.



..... DOUBLE INSULATION

ENE045-1

**Intended use**

The tool is intended for chiselling work in concrete, brick, stone and asphalt as well as for driving and compacting with appropriate accessories.

ENF002-1

**Power supply**

The tool should be connected only to a power supply of the same voltage as indicated on the nameplate, and can only be operated on single-phase AC supply. They are double-insulated in accordance with European Standard and can, therefore, also be used from sockets without earth wire.

GEA005-3

**General Power Tool Safety Warnings**

**⚠ WARNING! Read all safety warnings and all instructions.** Failure to follow the warnings and instructions may result in electric shock, fire and/or serious injury.

**Save all warnings and instructions for future reference.**

The term “power tool” in the warnings refers to your mains-operated (corded) power tool or battery-operated (cordless) power tool.

**Work area safety**

1. **Keep work area clean and well lit.** Cluttered or dark areas invite accidents.
2. **Do not operate power tools in explosive atmospheres, such as in the presence of flammable liquids, gases or dust.** Power tools create sparks which may ignite the dust or fumes.
3. **Keep children and bystanders away while operating a power tool.** Distractions can cause you to lose control.

**Electrical safety**

4. **Power tool plugs must match the outlet. Never modify the plug in any way. Do not use any adapter plugs with earthed (grounded) power tools.** Unmodified plugs and matching outlets will reduce risk of electric shock.
5. **Avoid body contact with earthed or grounded surfaces such as pipes, radiators, ranges and refrigerators.** There is an increased risk of electric shock if your body is earthed or grounded.
6. **Do not expose power tools to rain or wet conditions.** Water entering a power tool will increase the risk of electric shock.
7. **Do not abuse the cord. Never use the cord for carrying, pulling or unplugging the power tool. Keep cord away from heat, oil, sharp edges or moving parts.** Damaged or entangled cords increase the risk of electric shock.

8. **When operating a power tool outdoors, use an extension cord suitable for outdoor use.** Use of a cord suitable for outdoor use reduces the risk of electric shock.
9. **If operating a power tool in a damp location is unavoidable, use a residual current device (RCD) protected supply.** Use of an RCD reduces the risk of electric shock.
10. **Use of power supply via a RCD with a rated residual current of 30mA or less is always recommended.**

#### Personal safety

11. **Stay alert, watch what you are doing and use common sense when operating a power tool. Do not use a power tool while you are tired or under the influence of drugs, alcohol or medication.** A moment of inattention while operating power tools may result in serious personal injury.
12. **Use personal protective equipment. Always wear eye protection.** Protective equipment such as dust mask, non-skid safety shoes, hard hat, or hearing protection used for appropriate conditions will reduce personal injuries.
13. **Prevent unintentional starting. Ensure the switch is in the off-position before connecting to power source and/or battery pack, picking up or carrying the tool.** Carrying power tools with your finger on the switch or energising power tools that have the switch on invites accidents.
14. **Remove any adjusting key or wrench before turning the power tool on.** A wrench or a key left attached to a rotating part of the power tool may result in personal injury.
15. **Do not overreach. Keep proper footing and balance at all times.** This enables better control of the power tool in unexpected situations.
16. **Dress properly. Do not wear loose clothing or jewellery. Keep your hair, clothing, and gloves away from moving parts.** Loose clothes, jewellery or long hair can be caught in moving parts.
17. **If devices are provided for the connection of dust extraction and collection facilities, ensure these are connected and properly used.** Use of dust collection can reduce dust-related hazards.

#### Power tool use and care

18. **Do not force the power tool. Use the correct power tool for your application.** The correct power tool will do the job better and safer at the rate for which it was designed.
19. **Do not use the power tool if the switch does not turn it on and off.** Any power tool that cannot be controlled with the switch is dangerous and must be repaired.
20. **Disconnect the plug from the power source and/or the battery pack from the power tool before making any adjustments, changing accessories, or storing power tools.** Such preventive safety measures reduce the risk of starting the power tool accidentally.

21. **Store idle power tools out of the reach of children and do not allow persons unfamiliar with the power tool or these instructions to operate the power tool.** Power tools are dangerous in the hands of untrained users.
22. **Maintain power tools. Check for misalignment or binding of moving parts, breakage of parts and any other condition that may affect the power tool's operation. If damaged, have the power tool repaired before use.** Many accidents are caused by poorly maintained power tools.
23. **Keep cutting tools sharp and clean.** Properly maintained cutting tools with sharp cutting edges are less likely to bind and are easier to control.
24. **Use the power tool, accessories and tool bits etc. in accordance with these instructions, taking into account the working conditions and the work to be performed.** Use of the power tool for operations different from those intended could result in a hazardous situation.

#### Service

25. **Have your power tool serviced by a qualified repair person using only identical replacement parts.** This will ensure that the safety of the power tool is maintained.
26. **Follow instruction for lubricating and changing accessories.**
27. **Keep handles dry, clean and free from oil and grease.**

GEB004-6

## HAMMER SAFETY WARNINGS

1. **Wear ear protectors.** Exposure to noise can cause hearing loss.
2. **Use auxiliary handle(s), if supplied with the tool.** Loss of control can cause personal injury.
3. **Hold power tool by insulated gripping surfaces, when performing an operation where the cutting accessory may contact hidden wiring or its own cord.** Cutting accessory contacting a "live" wire may make exposed metal parts of the power tool "live" and could give the operator an electric shock.
4. **Wear a hard hat (safety helmet), safety glasses and/or face shield. Ordinary eye or sun glasses are NOT safety glasses.** It is also highly recommended that you wear a dust mask and thickly padded gloves.
5. **Be sure the bit is secured in place before operation.**
6. **Under normal operation, the tool is designed to produce vibration. The screws can come loose easily, causing a breakdown or accident. Check tightness of screws carefully before operation.**
7. **In cold weather or when the tool has not been used for a long time, let the tool warm up for a while by operating it under no load. This will loosen up the lubrication. Without proper warm-up, hammering operation is difficult.**
8. **Always be sure you have a firm footing. Be sure no one is below when using the tool in high locations.**

9. Hold the tool firmly with both hands.
10. Keep hands away from moving parts.
11. Do not leave the tool running. Operate the tool only when hand-held.
12. Do not point the tool at any one in the area when operating. The bit could fly out and injure someone seriously.
13. Do not touch the bit or parts close to the bit immediately after operation; they may be extremely hot and could burn your skin.
14. Do not operate the tool at no-load unnecessarily.
15. Some material contains chemicals which may be toxic. Take caution to prevent dust inhalation and skin contact. Follow material supplier safety data.

#### ⚠ CAUTION:

- The speed adjusting dial can be turned only as far as 5 and back to 1. Do not force it past 5 or 1, or the speed adjusting function may no longer work.

#### For Model HM0871C only

#### NOTE:

- Blows at no load per minute becomes smaller than those on load in order to reduce vibration under no load, but this does not show trouble. Once operation starts with a bit against concrete, blows per minute increase and get to the numbers as shown in the table. When temperature is low and there is less fluidity in grease, the tool may not have this function even with the motor rotating.

## SAVE THESE INSTRUCTIONS.

#### ⚠ WARNING:

DO NOT let comfort or familiarity with product (gained from repeated use) replace strict adherence to safety rules for the subject product.

MISUSE or failure to follow the safety rules stated in this instruction manual may cause serious personal injury.

## FUNCTIONAL DESCRIPTION

#### ⚠ CAUTION:

- Always be sure that the tool is switched off and unplugged before adjusting or checking function on the tool.

### Switch action (Fig. 1)

#### ⚠ CAUTION:

- Before plugging in the tool, always check to see that the tool is switched off.
- Switch can be locked in "ON" position for ease of operator comfort during extended use. Apply caution when locking tool in "ON" position and maintain firm grasp on tool.

To start the tool, push the switch lever "ON (I)" on the left side of the tool. To stop the tool, push the switch lever "OFF (O)" on the right side of the tool.

### Speed change (Fig. 2)

The blows per minute can be adjusted just by turning the adjusting dial. This can be done even while the tool is running. The dial is marked 1 (lowest speed) to 5 (full speed).

Refer to the table below for the relationship between the number settings on the adjusting dial and the blows per minute.

Number on adjusting dial	Blows per minute
5	2,650
4	2,400
3	1,750
2	1,300
1	1,100

### Indicator lamp (Fig. 3)

The green power-ON indicator lamp lights up when the tool is plugged. If the indicator lamp does not light up, the mains cord or the controller may be malfunction. The indicator lamp is lit but the tool does not start even if the tool is switched on, the carbon brushes may be worn out, or the controller, the motor or the ON/OFF switch may be malfunction.

The red service indicator lamp flickers up when the carbon brushes are nearly worn out to indicate that the tool needs servicing. After approx. 8 hours of use, the motor will automatically be shut off.

## ASSEMBLY

#### ⚠ CAUTION:

- Always be sure that the tool is switched off and unplugged before carrying out any work on the tool.

### Side handle (auxiliary handle)

#### For tool with stick type side handle (Fig. 4)

The side grip swings around to either side, allowing easy handling of the tool in any position. Loosen the side grip by turning it counterclockwise, swing it to the desired position and then tighten it by turning clockwise.

#### For tool with D-shaped side handle (Fig. 5)

The side handle can be swung 360° on the vertical and secured at any desired position. It also secures at eight different positions back and forth on the horizontal. Just loosen the clamp nut to swing the side handle to a desired position. Then tighten the clamp nut securely.

### Installing or removing the bit

Clean the bit shank and apply bit grease before installing the bit. (Fig. 6)

Insert the bit into the tool. Turn the bit and push it in until it engages.

If the bit cannot be pushed in, remove the bit. Pull the releasing cover down a couple of times. Then insert the bit again. Turn the bit and push it in until it engages.

#### (Fig. 7)

After installing, always make sure that the bit is securely held in place by trying to pull it out. (Fig. 8)

To remove the bit, pull the releasing cover down all the way and pull the bit out. (Fig. 9)

## Bit angle (Fig. 10 & Fig. 11)

The bit can be secured at 12 different angles. To change the bit angle, slide the change ring forward, then turn the change ring to change the bit angle. At the desired angle, slide the change ring back to the original position. The bit will be secured in place.

## OPERATION

### Chipping/Scaling/Demolition (Fig. 12 & Fig. 13)

Always use the side grip (auxiliary handle) and firmly hold the tool by both side grip and switch handle during operations. Turn the tool on and apply slight pressure on the tool so that the tool will not bounce around, uncontrolled. Pressing very hard on the tool will not increase the efficiency.

## MAINTENANCE

### CAUTION:

- Always be sure that the tool is switched off and unplugged before attempting to perform inspection or maintenance.
- Never use gasoline, benzine, thinner, alcohol or the like. Discoloration, deformation or cracks may result.

### Lubrication

### CAUTION:

- This servicing should be performed by Makita Authorized Service Centers only.

This tool requires no hourly or daily lubrication because it has a grease-packed lubrication system. It should be relubricated regularly. Send the complete tool to Makita Authorized or Factory Service Center for this lubrication service.

To maintain product SAFETY and RELIABILITY, repairs, any other maintenance or adjustment should be performed by Makita Authorized Service Centers, always using Makita replacement parts.

## OPTIONAL ACCESSORIES

### CAUTION:

- These accessories or attachments are recommended for use with your Makita tool specified in this manual. The use of any other accessories or attachments might present a risk of injury to persons. Only use accessory or attachment for its stated purpose.

If you need any assistance for more details regarding these accessories, ask your local Makita Service Center.

- Bull point (SDS-max)
- Cold chisel (SDS-max)
- Scaling chisel (SDS-max)
- Clay spade (SDS-max)
- Bit grease
- Safety goggles
- Hammer grease
- Plastic carrying case

### NOTE:

- Some items in the list may be included in the tool package as standard accessories. They may differ from country to country.

一般外观说明

- |                |          |          |
|----------------|----------|----------|
| 1. 开关柄         | 7. 夹紧螺母  | 13. 接线头  |
| 2. 调节刻度盘       | 8. 钻头柄   | 14. 白色   |
| 3. 电源开启指示灯（绿色） | 9. 钻头润滑脂 | 15. 黑色   |
| 4. 维修指示灯（红色）   | 10. 释放盖板 | 16. 曲轴箱盖 |
| 5. 侧把手（辅助手柄）   | 11. 更换挡圈 | 17. 螺丝起子 |
| 6. D 形侧手柄      | 12. 螺丝   | 18. 润滑脂  |

规格

型号	HM0871C	HM0870C
每分钟锤击数	1,100 - 2,650 /min	
总长度	466 mm	449 mm
净重	5.6 kg	5.1 kg
安全等级	回/II	

- 生产者保留变更规格不另行通知之权利。
- 规格可能因销往国家之不同而异。
- 重量符合 EPTA-Procedure 01/2003

END201-4

符号

以下显示本设备使用的符号。在使用工具之前请务必理解其含义。



.....阅读使用说明书。



.....双重绝缘

ENE045-1

用途

本工具可用于在水泥、砖块、石头和沥青材质上进行凿刻作业，并可与合适的附件结合使用，进行掘进和夯实作业。

ENF002-1

电源

本工具只可连接电压与铭牌所示电压相同的电源，且仅可使用单相交流电源。本工具根据欧洲标准达到双重绝缘，因此也可用于不带接地线的插座。

GEA005-3

电动工具一般安全警告

**△警告！**请诵读所有的安全警告和所有的说明事项。若不遵循警告和说明事项，可能导致触电、起火和 / 或严重的人身伤害。

请保留所有的警告和说明事项，以备日后参考。

警告中所说的“电动工具”指用电源（接线式）或电池（充电式）驱动的电动工具。

工作区域安全事项

1. 保持工作区域清洁，照明情况良好。混乱或黑暗的工作区域容易招致意外情况发生。
2. 请勿在易爆环境，如有可燃性液体、气体或粉尘的环境下操作电动工具。电动工具产生的火花可能会引燃粉尘或气体。
3. 操作电动工具时请让儿童和旁观者远离。操作时的分心会使您无法正常控制工具。

电气安全事项

4. 电动工具的插头必须与插座相匹配。切勿以任何方式对插头进行改装。请勿将任何适配器插头用于接地的电动工具。未经改装的插头和相匹配的插座可降低触电的危险。
5. 请避免与接地的表面如管子、散热器、炉灶以及冰箱等进行身体接触。如果您的身体接地，将会增加触电的危险。
6. 请勿将电动工具暴露在雨水或潮湿的环境中。水进入电动工具将增加触电的危险。



7. 请勿不当使用导线。切勿用导线拖拽工具或拔出电动工具的插头。避免使导线受热、沾染油脂，碰到尖锐的边缘或运动部件。破损或缠绕的导线会增加触电的危险。
8. 在户外操作电动工具时，请使用户外专用的延长线。使用户外专用的导线可降低触电的危险。
9. 如果必须要在潮湿的场所操作电动工具时，请使用带剩余电流装置（RCD）保护功能的电源。使用 RCD 可降低触电的危险。
10. 始终建议通过额定剩余电流为 30 mA 或以下的 RCD 来使用电源。
20. 在进行任何调节、更换附件或存放电动工具之前，请将插头从电源上拔下，并且/或将电池组从工具上取下。这种防护性的安全措施可降低电动工具意外启动的风险。
21. 将闲置的电动工具存放于儿童无法触及之处，并且不得让任何不熟悉工具或这些说明事项的人员操作工具。电动工具在未经训练的用户手中是危险的。
22. 保养电动工具。检查运动部件是否调整到位或卡住，检查零件破损情况和影响电动工具运行的其他状况。如有损坏，应在使用前修理好电动工具。许多事故是由维护不良的电动工具引发的。

### 人身安全注意事项

11. 操作电动工具时请保持警惕，注意您的操作，并运用常识。请勿在疲惫或受到麻醉品、酒精或其他药物作用下操作电动工具。在操作电动工具期间分心可能会导致严重的人身伤害。
12. 请使用个人劳防用品。请务必佩戴安全眼镜。正确使用防尘面罩、防滑安全鞋、硬质帽子或耳罩等劳防用品可减少人身伤害的危险。
13. 防止意外启动。在连接到电源和/或电池组，拿起或搬运工具之前，请确保开关处于关闭位置。搬运工具时手指放在开关上或者在开关打开的情况下给工具通电会招致意外情况发生。
14. 在启动工具之前请取下所有的调节钥匙或扳手。如果工具的旋转部件上留有扳手或调节钥匙，则可能会导致人身伤害。
15. 操作时手不要伸得太长。操作时请双脚站稳，始终保持平衡。这样可在意外情况下较好地控制工具。
16. 着装适当。不要穿宽松衣服或佩戴饰品。勿使您的头发、衣服和手套靠近运动部件。宽松衣服、佩饰或长发可能会卷入运动部件。
17. 如果提供了与除尘和集尘设备连接用的装置，请确保将其正确连接和使用。使用集尘设备可减少与粉尘有关的危害。
23. 保持切割工具的锋利和清洁。保养良好，具有锋利切边的切割工具不易粘连，并且易于控制。
24. 按照这些说明事项，根据作业条件和作业特点来使用电动工具、附件和钻头。将电动工具用于除了这些设计用途以外的操作时将导致意外情况发生。

### 维修服务

25. 请将您的电动工具交由有资格的专业维修人员处理，仅可使用与原部件相同的更换部件。这样可确保工具的安全性。
26. 根据说明进行润滑和更换附件。
27. 保持把手干燥、清洁，无油污和润滑脂。

GEB004-6

## 电镐使用安全警告

### 电动工具的使用和保养

18. 不要滥用电动工具。根据用途使用正确的电动工具。使用工具时不可超出其设计额定值，这样才能更好、更安全地完成作业。
19. 如果工具的开关无法使工具开启和关闭，则请勿使用该工具。无法通过开关控制的电动工具非常危险，必须进行维修。
3. 当进行作业时切割附件可能会接触到隐藏的电线或自身的电线，请握住工具的绝缘抓握表面。切割附件接触到“带电”的电线时，电动工具上曝露的金属部分可能也会“带电”，并使操作者触电。
4. 请佩戴硬质帽子（安全头盔）、安全眼镜和/或面罩。普通眼镜或太阳眼镜并非安全眼镜。强烈建议您佩戴防尘面罩和厚手套。
5. 请在操作前确保钻头到位。
6. 该工具在正常操作下是用来产生振动。螺丝容易松动，造成故障或事故。操作前仔细检查螺钉的紧固度。
7. 在寒冷天气或该工具长时间未使用时，请在无负载下运行该工具以让其预热一会。这会提升润滑度。若没有适当预热，钻孔操作会很困难。
8. 请务必确保立足稳固。  
在高处使用工具时确保下方无人。

9. 需用双手握紧工具。
10. 手应远离运动部件。
11. 运行中的工具不可离手放置。只可在手握工具的情况下操作工具。
12. 操作时请勿将工具对准近旁任何人。钻头会飞出以致严重伤害他人。
13. 操作之后，请勿立刻触摸钻头或靠近钻头的工件，因为它们可能会非常烫而导致烫伤皮肤。
14. 如非必要，请勿在空载状态下操作工具。
15. 某些材料含有有毒化学物质。小心不要吸入粉尘，并避免皮肤接触。遵循材料供应商的安全提示。

## 请保留此说明书。

### △警告：

请勿为图方便或因对产品足够熟悉（由于重复使用而获得的经验）而不严格遵循相关产品安全规则。  
使用不当或不遵循使用说明书中的安全规则会导致严重的人身伤害。

## 功能描述

### △小心：

- 在调节或检查工具功能之前，请务必关闭工具电源开关并拔下电源插头。

## 开关操作（图 1）

### △小心：

- 插上工具电源插头之前，请务必确认工具已关闭。
- 长时间使用时，可将开关锁定在“ON”（开启）位置，使操作更加舒适。将工具锁定在“ON”（开启）位置时请小心，务必牢固把握工具。

推动工具左侧的开关柄“ON (I)”（开启 (I)）即可启动工具。推动工具右侧的开关柄“OFF (O)”（关闭 (O)）即可停止工具。

## 速度变换（图 2）

只需转动调节刻度盘即可调节每分钟锤击数。即使工具正在运行中也可执行该操作。刻度盘分为 1（最低速）至 5（全速）档。

有关调节刻度盘上的数值设定和每分钟锤击数的对应关系，请参阅下表。

调节刻度盘上的数值	每分钟锤击数
5	2,650
4	2,400
3	1,750
2	1,300
1	1,100

010466

### △小心：

- 转速调节刻度盘只能在 1 和 5 之间调节。请勿用强力将其拨至超过 1 或 5 的位置，否则调速功能可能会失灵。

## 仅限 HM0871C 型

### 注：

- 空载时每分钟锤击数要比有负载时的低，这是为了减少空载时的振动而非故障。一旦将钻头抵住混凝土开始操作，每分钟锤击数会升至表中所示对应数值。当温度较低以及润滑脂流动性降低时，即使电机转动，工具也可能无法实现此功能。

## 指示灯（图 3）

工具插上电源时，绿色的电源开启指示灯亮起。如果指示灯没有亮起，则可能是电源线或控制器故障。如果指示灯亮起而工具没有启动（即使工具已开启），则可能是由于碳刷磨损或是控制器、电机或 ON/OFF（开/关）开关故障的缘故。

碳刷接近磨损时，红色的维修指示灯闪烁，表示工具需要维修。连续使用约 8 小时后，电机将自动关机。

## 装配

### △小心：

- 对工具进行任何装配操作前请务必确认工具已关闭且已按下电源插头。

## 侧手柄（辅助手柄）

### 对于带有驾驶杆型侧手柄的工具（图 4）

侧手柄可以旋转到任意一侧，在任何位置都能方便地操作工具。逆时针旋转侧手柄可使其松开，将其转至所需位置，然后顺时针旋转拧紧侧手柄。

## 对于带有 D 形侧手柄的工具（图 5）

侧手柄可在垂直方向 360° 旋转并在任意位置固定。还可在水平方向的前后 8 个位置固定。要将侧手柄旋转到所需位置，只需拧松夹紧螺母。转到所需位置之后重新旋紧夹紧螺母。

## 安装或拆卸钻头

在安装钻头前，请清洁钻头柄并涂上钻头润滑脂。（图 6）

将钻头插入工具中。将钻头旋转推入直到完全啮合。

如果钻头无法推入，请将其拆下。向下拉动释放盖板若干次。然后重新插入钻头。将钻头旋转推入直到完全啮合。（图 7）

安装后，请尝试将其拔出以确保钻头牢固。

（图 8）

卸下钻头时向下拉动释放盖板直至拔出钻头。

（图 9）

## 钻头角度（图 10 及图 11）

钻头可以从 12 个不同的角度固定。要改变钻头角度时，向前滑动更换挡圈，然后旋转更换挡圈来改变钻头的角度。到达所需角度后，将更换挡圈滑动至原来位置以固定钻头。钻头将会固定到位。

## 操作

### 凿 / 剥 / 拆（图 12 及图 13）

操作期间，请务必同时抓牢侧把手（辅助手柄）和开关手柄，紧紧握住工具。打开工具，轻轻施加压力，这样该工具就不会不受控制地弹跳。使劲按压工具不会增加效果。

## 保养

△小心：

- 检查或保养工具之前，请务必关闭工具电源开关并拔下插头。
- 切勿使用汽油、苯、稀释剂、酒精或类似物品清洁工具。否则可能会导致工具变色、变形或出现裂缝。

## 润滑

△小心：

- 该维修操作仅可由 Makita（牧田）授权的维修服务中心执行。

由于拥有储油润滑系统，本工具无需每小时或每天进行润滑。需定期重新润滑。请将全套工具送往 Makita（牧田）授权维修服务中心或工厂维修服务中心润滑维修。

为了保证产品的安全与可靠性，维修、任何其他维修保养或调节需由 Makita（牧田）授权的维修服务中心完成。务必使用 Makita（牧田）的替换部件。

## 选购附件

△小心：

- 这些附件或装置专用于本说明书所列的 Makita（牧田）电动工具。使用其他配件或装置存在人身伤害风险。仅可将附件或装置用于规定目的。

如果您需要了解更多关于这些选购附件的信息，请咨询当地的 Makita（牧田）维修服务中心。

- 尖钻头（SDS-max）
- 冷凿（SDS-max）
- 铲锈凿（SDS-max）
- 泥铲（SDS-max）
- 钻头润滑脂
- 安全护目镜
- 电镐油
- 塑料携带箱

注：

- 本列表中的一些部件可能作为标准附件包含于工具包装内。它们可能因销往国家之不同而异。

**Penjelasan tampilan keseluruhan**

- |                                    |                     |                            |
|------------------------------------|---------------------|----------------------------|
| 1. Tuas saklar                     | 7. Mur klem         | 14. Putih                  |
| 2. saklar penyatel                 | 8. Kepala tirus     | 15. Hitam                  |
| 3. Lampu indikator daya-ON (hijau) | 9. Gemuk mata mesin | 16. Pelindung tutup engkol |
| 4. Lampu indikator servis (merah)  | 10. Tutup pelepas   | 17. Obeng                  |
| 5. Gagang sisi (pegangan tambahan) | 11. Cincin pengubah | 18. Gemuk                  |
| 6. Pegangan sisi berbentuk D       | 12. Sekrup          |                            |
|                                    | 13. Konektor        |                            |

**SPESIFIKASI**

Model	HM0871C	HM0870C
Hembusan per menit	1.100 - 2.650 min <sup>-1</sup>	
Panjang keseluruhan	466 mm	449 mm
Berat bersih	5,6 kg	5,1 kg
Kelas keamanan	□/II	

- Karena kesinambungan program penelitian dan pengembangan kami, spesifikasi yang disebutkan di sini dapat berubah tanpa pemberitahuan.
- Spesifikasi dapat berbeda dari satu negara ke negara lainnya.
- Berat menurut Prosedur EPTA 01/2003

END201-4

**Simbol**

Berikut ini adalah simbol-simbol yang digunakan pada peralatan ini.

Pastikan Anda mengerti makna masing-masing simbol sebelum menggunakan alat.



..... Baca petunjuk penggunaan.



..... ISOLASI GANDA

ENE045-1

**Penggunaan**

Mesin ini digunakan untuk memahat beton, batu bata, batu dan aspal serta untuk memasang dan memadatkan dengan aksesoris yang sesuai.

ENF002-1

**Pasokan daya**

Mesin harus terhubung dengan pasokan daya listrik yang bervoltase sama dengan yang tertera pada pelat nama, dan hanya dapat dijalankan dengan listrik AC fase tunggal. Mesin diisolasi ganda sesuai Standard Eropa dan oleh sebab itu dapat dihubungkan dengan soket tanpa arde.

GEA005-3

**Peringatan Keselamatan Umum Mesin Listrik**

**⚠ PERINGATAN! Bacalah semua peringatan keselamatan dan semua petunjuk.** Kelalaian mematuhi peringatan dan petunjuk dapat menyebabkan sengatan listrik, kebakaran dan/atau cedera serius.

**Simpanlah semua peringatan dan petunjuk untuk acuan di masa depan.**

Istilah "mesin listrik" dalam semua peringatan mengacu pada mesin listrik yang dijalankan dengan sumber listrik jala-jala (berkabel) atau baterai (tanpa kabel).

**Keselamatan tempat kerja**

1. **Jaga tempat kerja selalu bersih dan berpenerangan cukup.** Tempat kerja yang berantakan dan gelap mengundang kecelakaan.
2. **Jangan gunakan mesin listrik dalam lingkungan yang mudah meledak, misalnya jika ada cairan, gas, atau debu yang mudah menyala.** Mesin listrik menimbulkan bunga api yang dapat menyalakan debu atau uap tersebut.
3. **Jauhkan anak-anak dan orang lain saat menggunakan mesin listrik.** Bila perhatian terpecah, anda dapat kehilangan kendali.

**Keamanan kelistrikan**

4. **Steker mesin listrik harus cocok dengan stopkontak. Jangan sekali-kali mengubah steker dengan cara apa pun. Jangan menggunakan steker adaptor dengan mesin listrik berarde (dibumikan).** Steker yang tidak diubah dan stopkontak yang cocok akan mengurangi risiko sengatan listrik.
5. **Hindari sentuhan tubuh dengan permukaan berarde atau yang dibumikan seperti pipa, radiator, kompor, dan kulkas.** Risiko sengatan listrik bertambah jika tubuh Anda terbunikan atau terarde.
6. **Jangan membiarkan mesin listrik kehujanan atau kebasahan.** Air yang masuk ke dalam mesin listrik akan meningkatkan risiko sengatan listrik.

7. **Jangan menyalahgunakan kabel.** Jangan sekali-kali menggunakan kabel untuk membawa, menarik, atau mencabut mesin listrik dari stopkontak. Jauhkan kabel dari panas, minyak, tepian tajam, atau bagian yang bergerak. Kabel yang rusak atau kusut memperbesar risiko sengatan listrik.
8. **Bila menggunakan mesin listrik di luar ruangan, gunakan kabel ekstensi yang sesuai untuk penggunaan di luar ruangan.** Penggunaan kabel yang sesuai untuk penggunaan luar ruangan mengurangi risiko sengatan listrik.
9. **Jika mengoperasikan mesin listrik di lokasi lembap tidak terhindarkan, gunakan pasokan daya yang dilindungi peranti imbasan arus (residual current device - RCD).** Penggunaan RCD mengurangi risiko sengatan listrik.
10. **Penggunaan pasokan daya melalui RCD dengan kapasitas arus sisa 30 mA atau kurang selalu dianjurkan.**

#### Keselamatan diri

11. **Jaga kewaspadaan, perhatikan pekerjaan Anda dan gunakan akal sehat bila menggunakan mesin listrik.** Jangan menggunakan mesin listrik saat Anda lelah atau di bawah pengaruh obat bius, alkohol, atau obat. Sekejap saja lalai saat menggunakan mesin listrik dapat menyebabkan cedera diri yang serius.
12. **Gunakan alat pelindung diri. Selalu gunakan pelindung mata.** Peralatan pelindung seperti masker debu, sepatu pengaman anti-selip, helm pengaman, atau pelindung telinga yang digunakan untuk kondisi yang sesuai akan mengurangi risiko cedera diri.
13. **Cegah penyalaaan yang tidak disengaja. Pastikan bahwa sakelar berada dalam posisi mati (off) sebelum menghubungkan mesin ke sumber daya dan/atau baterai, atau mengangkat atau membawanya.** Membawa mesin listrik dengan jari Anda pada sakelarnya atau mengalirkan listrik pada mesin listrik yang sakelarnya hidup (on) akan mengundang kecelakaan.
14. **Lepaskan kunci-kunci penyetel sebelum menghidupkan mesin listrik.** Kunci-kunci yang masih terpasang pada bagian mesin listrik yang berputar dapat menyebabkan cedera.
15. **Jangan meraih terlalu jauh. Jagalah pijakan dan keseimbangan sepanjang waktu.** Hal ini memungkinkan kendali yang lebih baik atas mesin listrik dalam situasi yang tidak diharapkan.
16. **Kenakan pakaian dengan baik. Jangan memakai pakaian yang kedodoran atau perhiasan. Jaga jarak antara rambut, pakaian, dan sarung tangan Anda dengan bagian mesin yang bergerak.** Pakaian kedodoran, perhiasan, atau rambut panjang dapat tersangkut pada bagian yang bergerak.
17. **Jika tersedia fasilitas untuk menghisap dan mengumpulkan debu, pastikan fasilitas tersebut terhubung listrik dan digunakan dengan baik.** Penggunaan pembersih debu dapat mengurangi bahaya yang terkait dengan debu.

#### Penggunaan dan pemeliharaan mesin listrik

18. **Jangan memaksa mesin listrik. Gunakan mesin listrik yang tepat untuk keperluan Anda.** Mesin listrik yang tepat akan menuntaskan pekerjaan dengan lebih baik dan aman pada kecepatan sesuai rancangannya.
19. **Jangan gunakan mesin listrik jika sakelar tidak dapat menyalakan dan mematikannya.** Mesin listrik yang tidak dapat dikendalikan dengan sakelarnya adalah berbahaya dan harus diperbaiki.
20. **Cabut steker dari sumber listrik dan/atau baterai dari mesin listrik sebelum melakukan penyetelan, penggantian aksesoris, atau menyimpan mesin listrik.** Langkah keselamatan preventif tersebut mengurangi risiko hidupnya mesin secara tak sengaja.
21. **Simpan mesin listrik jauh dari jangkauan anak-anak dan jangan biarkan orang yang tidak paham mengenai mesin listrik tersebut atau petunjuk ini menggunakan mesin listrik.** Mesin listrik sangat berbahaya di tangan pengguna yang tak terlatih.
22. **Rawatlah mesin listrik. Periksa apakah ada bagian bergerak yang tidak lurus atau macet, bagian yang pecah dan kondisi lain yang dapat mempengaruhi penggunaan mesin listrik. Jika rusak, perbaiki dahulu mesin listrik sebelum digunakan.** Banyak kecelakaan disebabkan oleh kurangnya pemeliharaan mesin listrik.
23. **Jaga agar mesin pemotong tetap tajam dan bersih.** Mesin pemotong yang terawat baik dengan mata pemotong yang tajam tidak mudah macet dan lebih mudah dikendalikan.
24. **Gunakan mesin listrik, aksesoris, dan mata mesin, dll. sesuai dengan petunjuk ini, dengan memperhitungkan kondisi kerja dan jenis pekerjaan yang dilakukan.** Penggunaan mesin listrik untuk penggunaan yang lain dari peruntukan dapat menimbulkan situasi berbahaya.

#### Servis

25. **Berikan mesin listrik untuk diperbaiki hanya kepada oleh teknisi yang berkualifikasi dengan menggunakan hanya suku cadang pengganti yang serupa.** Hal ini akan menjamin terjaganya keamanan mesin listrik.
26. **Patuhi petunjuk pelumasan dan penggantian aksesoris.**
27. **Jagalah agar gagang kering, bersih, dan bebas dari minyak dan gemuk.**

GEB004-6

## PERINGATAN KESELAMATAN MESIN BOBOK

1. **Kenakan pelindung telinga.** Terpaan kebisingan dapat menyebabkan hilangnya pendengaran.
2. **Gunakan gagang tambahan, jika disertakan bersama mesin ini.** Kehilangan kendali dapat menyebabkan cedera.
3. **Pegang mesin listrik pada permukaan genggam yang terisolasi saat melakukan pekerjaan bila mesin pemotong mungkin bersentuhan dengan kawat tersembunyi atau kabelnya sendiri.** Pengencang yang menyentuh kawat "hidup" dapat

menyebabkan bagian logam pada mesin teraliri arus listrik dan menyengat pengguna.

4. **Kenakan helm pengaman, kaca mata pengaman dan/atau pelindung muka. Kaca mata biasa atau kaca mata hitam BUKANLAH kaca mata pengaman. Anda sangat dianjurkan untuk mengenakan masker debu dan sarung tangan tebal.**
5. **Pastikan mata mesin terpasang pada tempatnya sebelum penggunaan.**
6. **Pada penggunaan normal, mesin dirancang untuk menghasilkan getaran. Sekrup bisa menjadi longgar dengan mudah, menyebabkan kerusakan atau kecelakaan. Periksa kekencangan sekrup sebelum penggunaan.**
7. **Pada cuaca dingin atau ketika mesin telah lama tidak digunakan, lakukan pemanasan pada mesin beberapa saat dengan mengoperasikannya tanpa beban. Hal ini akan memperlancar pelumasan. Tanpa pemanasan yang tepat, pengerjaan pembobokan menjadi sulit.**
8. **Selalu pastikan Anda berada di atas alas yang kuat. Pastikan tidak ada orang di bawahnya bila Anda menggunakan mesin di tempat yang tinggi.**
9. **Pegang mesin kuat-kuat dengan kedua tangan.**
10. **Jauhkan tangan dari bagian yang berputar.**
11. **Jangan tinggalkan mesin dalam keadaan hidup. Jalankan mesin hanya ketika digenggam tangan.**
12. **Jangan mengarahkan mesin pada siapapun di tempat kerja ketika mengoperasikan. Mata mesin bisa terlempar dan melukai orang dengan serius.**
13. **Jangan menyentuh mata mesin atau benda kerja segera setelah mengoperasikan; suhunya mungkin masih sangat panas dan dapat membakar kulit Anda.**
14. **Jangan mengoperasikan mesin tanpa beban dengan tanpa keperluan.**
15. **Bahan tertentu mengandung zat kimia yang mungkin beracun. Hindari menghirup debu dan persentuhan dengan kulit. Ikuti data keselamatan bahan dari pemasok.**

## SIMPAN PETUNJUK INI.

### ⚠ PERINGATAN:

**JANGAN** biarkan kenyamanan atau terbiasanya Anda dengan produk (karena penggunaan berulang) menggantikan kepatuhan yang ketat terhadap aturan keselamatan untuk produk yang terkait.

**PENYALAHGUNAAN** atau kelalaian mematuhi kaidah keselamatan yang tertera dalam petunjuk ini dapat menyebabkan cedera badan serius.

## DESKRIPSI FUNGSI

### ⚠ PERHATIAN:

- Selalu pastikan bahwa mesin dalam keadaan mati dan steker tercabut sebelum menyetel atau memeriksa kerja mesin.

## KERJA saklar (Gb. 1)

### ⚠ PERHATIAN:

- Sebelum memasukkan steker, pastikan bahwa mesin dalam keadaan mati.
- Saklar bisa dikunci dalam posisi "ON" untuk memberi kenyamanan pada operator selama penggunaan terus-menerus. Selalu berhati-hati ketika mengunci mesin dalam posisi "ON" dan pegang mesin kuat-kuat.

Untuk menyalakan mesin, tekan tuas saklar "ON (I)" pada sisi kiri mesin. Untuk menghentikan mesin, tekan tuas saklar "OFF (O)" pada sisi kanan mesin.

## Perubahan kecepatan (Gb. 2)

Hembusan per menit bisa disetel hanya dengan memutar saklar penyetel. Hal ini dapat dilakukan bahkan ketika mesin sedang bekerja. Saklar diberi tanda 1 (kecepatan terendah) sampai 5 (kecepatan penuh).

Silakan mengacu pada tabel di bawah ini untuk hubungan antara setelan angka pada saklar penyetel dan hembusan per menit.

Angka pada saklar penyetel	Hembusan per menit
5	2.650
4	2.400
3	1.750
2	1.300
1	1.100

010466

### ⚠ PERHATIAN:

- Saklar penyetel kecepatan dapat diputar hanya sampai 5 dan kembali ke 1. Jangan dipaksa melewati 5 atau 1, atau penyetel kecepatan bisa tidak berfungsi lagi.

### Hanya untuk Model HM0871C

#### CATATAN:

- Hembusan tanpa beban per menit menjadi lebih kecil daripada dengan beban karena berkurangnya getaran saat tanpa beban, tetapi hal ini bukan merupakan masalah. Ketika pengoperasian dimulai dengan pengerjaan pada beton, hembusan per menit meningkat dan mencapai angka yang ditunjukkan dalam tabel. Ketika suhu rendah dan gemuknya kurang cair, mesin dapat tidak berfungsi dengan baik walaupun motornya berputar.

## Lampu indikator (Gb. 3)

Lampu indikator daya-ON yang berwarna hijau menyala ketika steker mesin dimasukkan. Jika lampu indikator tidak menyala, mungkin ada kerusakan pada kabel utama atau pengendali. Jika indikator menyala tetapi mesin tidak menyala bahkan ketika saklar mesin ditekan, ada kemungkinan sikat karbon sudah aus, atau ada kerusakan pada pengendali, motor atau saklar ON/OFF. Lampu indikator servis berkedip ketika sikat karbon hampir aus untuk menandakan bahwa mesin perlu diperbaiki. Setelah penggunaan selama kira-kira 8 jam, motor akan mati secara otomatis.

## PERAKITAN

### ⚠ PERHATIAN:

- Selalu pastikan bahwa mesin dalam keadaan mati dan steker tercabut sebelum melakukan pekerjaan apapun pada mesin.

### Pegangan sisi (pegangan tambahan)

#### Untuk mesin dengan pegangan sisi jenis batang (Gb. 4)

Gagang sisi berputar ke sisi lain, memudahkan dalam memegang mesin pada posisi apapun. Kendurkan gagang sisi dengan memutar ke berlawanan arah jarum jam, putar pada posisi yang diinginkan kemudian kencangkan dengan memutarnya searah jarum jam.

#### Untuk mesin dengan pegangan sisi berbentuk D (Gb. 5)

Pegangan sisi bisa diputar 360° secara vertikal dan dipasang pada posisi manapun yang diinginkan. Juga bisa dipasang pada delapan posisi berbeda, mundur dan maju secara horisontal. Cukup mengendurkan mur klem untuk memutar pegangan sisi pada posisi yang diinginkan. Kemudian kencangkan mur klem.

### Memasang atau melepas mata mesin

Bersihkan kepala tirus dan beri gemuk sebelum memasang mata mesin. (Gb. 6)

Masukkan mata mesin ke dalam mesin. Putar mata mesin dan dorong sampai terpasang.

Jika mata mesin tidak bisa didorong, lepas mata mesin. Tarik tutup pelepas beberapa kali. Kemudian masukkan lagi mata mesin. Putar mata mesin dan dorong sampai terpasang. (Gb. 7)

Setelah memasang, selalu pastikan bahwa mata mesin benar-benar terpasang pada tempatnya dengan mencoba menariknya keluar. (Gb. 8)

Untuk melepas mata mesin, tarik tutup pelepas sepenuhnya dan tarik mata mesin keluar. (Gb. 9)

### Sudut mata mesin (Gb. 10 & Gb. 11)

Mata mesin bisa dipasang pada 12 sudut yang berbeda. Untuk mengubah sudut, geser maju cincin pengubah, kemudian putar cincin pengubah untuk mengubah sudut mata mesin. Pada sudut yang diinginkan, geser kembali cincin pengubah ke posisi semula. Mata mesin akan terpasang pada tempatnya.

## PENGGUNAAN

### Menyerpih/Menumbuk/Membobok (Gb. 12 & Gb. 13)

Selalu gunakan gagang sisi (pegangan tambahan) dan pegang mesin kuat-kuat pada kedua gagang sisi dan pegangan saklar selama penggunaan. Nyalakan mesin dan beri sedikit tekanan pada mesin sehingga mesin tidak akan memantul, tidak terkendali. Terlalu menekan mesin tidak akan meningkatkan efisiensinya.

## PERAWATAN

### ⚠ PERHATIAN:

- Selalu pastikan bahwa mesin dimatikan dan steker dicabut sebelum melakukan pemeriksaan atau perawatan.
- Jangan sekali-kali menggunakan bensin, tiner, alkohol, atau bahan sejenisnya. Penggunaan bahan demikian dapat menyebabkan perubahan warna, perubahan bentuk atau timbulnya retakan.

### Pelumasan

#### ⚠ PERHATIAN:

- Perbaikan ini harus dilakukan hanya oleh Pusat Layanan Resmi Makita.

Mesin ini tidak memerlukan pelumasan setiap jam atau harian karena mempunyai sistem pelumasan gemuk yang telah terpasang. Mesin harus dilumasi ulang secara rutin. Kirimkan mesin dengan lengkap ke Pusat Layanan Resmi atau Pabrik Makita untuk pelumasan tersebut.

Untuk menjaga KEAMANAN dan KEANDALAN mesin, perbaikan, perawatan atau penyetulan lain harus dilakukan oleh Pusat Layanan Resmi Makita dan selalu gunakan suku cadang pengganti buatan Makita.

## PILIHAN AKSESORI

### ⚠ PERHATIAN:

- Dianjurkan untuk menggunakan aksesoris atau perangkat tambahan ini dengan mesin Makita Anda yang ditentukan dalam petunjuk ini. Penggunaan aksesoris atau perangkat tambahan lain bisa menyebabkan risiko cedera pada manusia. Hanya gunakan aksesoris atau perangkat tambahan sesuai dengan peruntukannya.

Jika Anda memerlukan bantuan lebih rinci berkenaan dengan aksesoris ini, tanyakan pada Pusat Layanan Makita terdekat.

- Pahat beton (SDS-max)
- Pahat besi (SDS-max)
- Pahat tumbuk (SDS-max)
- Sekop lempung (SDS-max)
- Gemuk mata mesin
- Kaca mata pelindung
- Gemuk mesin bor getar
- Tas jinjing plastik

### CATATAN:

- Beberapa item dalam daftar tersebut mungkin sudah termasuk dalam paket mesin sebagai aksesoris standar. Hal tersebut dapat berbeda dari satu negara ke negara lainnya.

# TIẾNG VIỆT

## Giải thích về hình vẽ tổng thể

- |   |                    |                          |
|---|--------------------|--------------------------|
| 1. Cản gạt công tắc                     | 7. Đai ốc xiết     | 14. Trắng                |
| 2. Đĩa điều chỉnh                       | 8. Đầu gắn mũi     | 15. Đen                  |
| 3. Đèn chỉ báo Nguồn điện-BẬT (xanh lá) | 9. Dầu tra đầu mũi | 16. Tấm đệm nắp tay quay |
| 4. Đèn chỉ báo bảo trì (đỏ)             | 10. Nắp tháo       | 17. Tuốc-nơ-vít          |
| 5. Tay cầm hồng (tay cầm phụ)           | 11. Vòng chỉnh     | 18. Dầu mỡ               |
| 6. Tay nắm hồng mặt D                   | 12. Vít            |                          |
|   | 13. Đầu nối        |                          |

## THÔNG SỐ KỸ THUẬT

Kiểu	HM0871C	HM0870C
Số nhát mỗi phút	1.100 - 2.650 phút <sup>-1</sup>	
Chiều dài tổng thể	466 mm	449 mm
Khối lượng tịnh	5,6 kg	5,1 kg
Cấp độ an toàn	□/II	

- Do chương trình nghiên cứu và phát triển liên tục của chúng tôi nên các thông số kỹ thuật trong đây có thể thay đổi mà không cần thông báo trước.
- Các thông số kỹ thuật có thể thay đổi tùy theo từng quốc gia.
- Khối lượng tùy theo Quy trình EPTA tháng 01/2003

### Ký hiệu

Phần dưới đây cho biết các ký hiệu được dùng cho thiết bị. Đảm bảo rằng bạn hiểu rõ ý nghĩa của các ký hiệu này trước khi sử dụng.



..... Đọc tài liệu hướng dẫn.



..... CÁCH ĐIỆN CẤP 2

### Mục đích sử dụng

Dụng cụ này được dùng cho công tác đục phá bê-tông, gạch, đá và nhựa asphalt cũng như cho việc đóng nện và đầm nén với các phụ kiện thích hợp.

### Nguồn cấp điện

Dụng cụ này chỉ được nối với nguồn cấp điện có điện áp giống như đã chỉ ra trên biển tên và chỉ có thể được vận hành trên nguồn điện AC mt pha. Chúng được cách điện hai lớp theo Tiêu chuẩn Châu Âu và do đó cũng có thể được sử dụng từ các ổ cắm điện không có dây tiếp đất.

## Cảnh báo An toàn Chung dành cho Dụng cụ Máy

**⚠ CẢNH BÁO! Đọc tất cả các cảnh báo an toàn và hướng dẫn.** Việc không tuân theo các cảnh báo và hướng dẫn có thể dẫn đến điện giật, hỏa hoạn và/hoặc thương tích nghiêm trọng.

END201-4

ENE045-1

ENF002-1

GEA005-3

## Lưu giữ tất cả cảnh báo và hướng dẫn để tham khảo sau này.

Thuật ngữ “dụng cụ máy” trong các cảnh báo đề cập đến dụng cụ máy (có dây) được vận hành bằng nguồn điện chính hoặc dụng cụ máy (không dây) được vận hành bằng pin của bạn.

### An toàn tại nơi làm việc

- Giữ nơi làm việc sạch sẽ và có đủ ánh sáng.** Nơi làm việc bừa bộn hoặc tối thường dễ gây ra tai nạn.
- Không vận hành dụng cụ máy trong môi trường cháy nổ, ví dụ như môi trường có sự hiện diện của các chất lỏng, khí hoặc bụi dễ cháy.** Các dụng cụ máy tạo tia lửa điện có thể làm bụi hoặc khí bốc cháy.
- Giữ trẻ em và người ngoài tránh xa nơi làm việc khi đang vận hành dụng cụ máy.** Sự xao lãng có thể khiến bạn mất khả năng kiểm soát.

### An toàn về điện

- Phích cắm của dụng cụ máy phải khớp với ổ cắm. Không bao giờ được sửa đổi phích cắm theo bất kỳ cách nào. Không sử dụng bất kỳ phích chuyên đổi nào với các dụng cụ máy được nối đất (tiếp đất).** Các phích cắm còn nguyên vẹn và ổ cắm phù hợp sẽ giảm nguy cơ điện giật.
- Tránh để cơ thể tiếp xúc với các bề mặt nóng đất hoặc tiếp đất như đường ống, bộ tản nhiệt, bếp ga và tủ lạnh.** Nguy cơ bị điện giật sẽ tăng lên nếu cơ thể bạn được nối đất hoặc tiếp đất.
- Không để dụng cụ máy tiếp xúc với mưa hoặc trong điều kiện ẩm ướt.** Nước lọt vào dụng cụ máy sẽ làm tăng nguy cơ điện giật.



7. **Không lạm dụng dây.** Không bao giờ sử dụng dây để mang, kéo hoặc tháo phích cắm dụng cụ máy. Giữ dây tránh xa nguồn nhiệt, dầu, các mép sắc hoặc các bộ phận chuyển động. Dây bị hỏng hoặc bị rối sẽ làm tăng nguy cơ điện giật.
8. **Khi vận hành dụng cụ máy ngoài trời, hãy sử dụng dây kéo dài phù hợp cho việc sử dụng ngoài trời.** Việc dùng dây phù hợp cho việc sử dụng ngoài trời sẽ giảm nguy cơ điện giật.
9. **Nếu bắt buộc phải vận hành dụng cụ máy ở nơi ẩm ướt, hãy sử dụng nguồn cấp điện được bảo vệ bằng thiết bị ngắt dòng điện rò (RCD).** Việc sử dụng RCD sẽ giảm nguy cơ điện giật.
10. **Chúng tôi luôn khuyên bạn sử dụng nguồn cấp điện qua thiết bị RCD có thể ngắt dòng điện dư định mức 30 mA hoặc thấp hơn.**

#### **An toàn cá nhân**

11. **Luôn tỉnh táo, quan sát những việc bạn đang làm và sử dụng những phán đoán theo kinh nghiệm khi vận hành dụng cụ máy.** Không sử dụng dụng cụ máy khi bạn đang mệt mỏi hoặc chịu ảnh hưởng của ma túy, rượu hay thuốc. Chỉ một khoảng khắc không tập trung khi đang vận hành dụng cụ máy cũng có thể dẫn đến thương tích cá nhân nghiêm trọng.
12. **Sử dụng thiết bị bảo hộ cá nhân.** Luôn đeo thiết bị bảo vệ mắt. Các thiết bị bảo hộ như mũ bảo hộ chống bụi, giày an toàn chống trượt, mũ bảo hộ hay thiết bị bảo vệ thính giác được sử dụng trong các điều kiện thích hợp sẽ giúp giảm thương tích cá nhân.
13. **Tránh vô tình khởi động dụng cụ máy.** Đảm bảo công tắc ở vị trí off (tắt) trước khi nối nguồn điện và/hoặc bộ pin, cắm hoặc mang dụng cụ máy. Việc mang dụng cụ máy khi đang đặt ngón tay ở vị trí công tắc hoặc cấp điện cho dụng cụ máy đang bật thường dễ gây ra tai nạn.
14. **Tháo mọi khoá hoặc chia vận điều chỉnh trước khi bật dụng cụ máy.** Việc chia vận hoặc khoá vẫn còn gắn vào bộ phận quay của dụng cụ máy có thể dẫn đến thương tích cá nhân.
15. **Không với quá cao.** Luôn giữ thăng bằng tốt và có chỗ để chân phù hợp. Điều này cho phép điều khiển dụng cụ máy tốt hơn trong những tình huống bất ngờ.
16. **Ăn mặc phù hợp.** Không mặc quần áo rộng hay đeo đồ trang sức. Giữ tóc, quần áo và giày tay tránh xa các bộ phận chuyển động. Quần áo rộng, đồ trang sức hay tóc dài có thể mắc vào các bộ phận chuyển động.
17. **Nếu các thiết bị được cung cấp để kết nối các thiết bị thu gom và hút bụi, hãy đảm bảo chúng được kết nối và sử dụng hợp lý.** Việc sử dụng thiết bị thu gom bụi có thể làm giảm những mối nguy hiểm liên quan đến bụi.

#### **Sử dụng và bảo quản dụng cụ máy**

18. **Không dùng lực đối với dụng cụ máy.** Sử dụng đúng dụng cụ máy cho công việc của bạn. Sử dụng đúng dụng cụ máy sẽ giúp thực hiện công việc tốt hơn và an toàn hơn theo giá trị định mức được thiết kế của dụng cụ máy đó.
19. **Không sử dụng dụng cụ máy nếu công tắc không bật và tắt được dụng cụ máy đó.** Mọi dụng cụ máy không thể điều khiển được bằng công tắc đều rất nguy hiểm và cần được sửa chữa.

20. **Rút phích cắm ra khỏi nguồn điện và/hoặc ngắt kết nối bộ pin khỏi dụng cụ máy trước khi thực hiện bất kỳ công việc điều chỉnh, thay đổi phụ tùng hay cắt giữ dụng cụ máy nào.** Những biện pháp an toàn phòng ngừa này sẽ giảm nguy cơ vô tình khởi động vô tình dụng cụ máy.
21. **Cắt giữ các dụng cụ máy không sử dụng ngoài tầm với của trẻ em và không cho bất kỳ người nào không có hiểu biết về dụng cụ máy hoặc các hướng dẫn này vận hành dụng cụ máy.** Dụng cụ máy sẽ rất nguy hiểm nếu được sử dụng bởi những người dùng chưa qua đào tạo.
22. **Bảo quản dụng cụ máy.** Kiểm tra tình trạng lệch trục hoặc bó kẹt của các bộ phận chuyển động, hiện tượng nứt vỡ của các bộ phận và mọi tình trạng khác mà có thể ảnh hưởng đến hoạt động của dụng cụ máy. Nếu có hỏng hóc, hãy sửa chữa dụng cụ máy trước khi sử dụng. Nhiều tai nạn xảy ra là do không bảo quản tốt dụng cụ máy.
23. **Luôn giữ cho dụng cụ cắt được sắc bén và sạch sẽ.** Những dụng cụ cắt được bảo quản tốt có mép cắt sắc sẽ ít bị kẹt hơn và dễ điều khiển hơn.
24. **Sử dụng dụng cụ máy, phụ tùng và đầu dụng cụ cắt, v.v... theo các hướng dẫn này, có tính đến điều kiện làm việc và công việc được thực hiện.** Việc sử dụng dụng cụ máy cho các công việc khác với công việc dự định có thể gây nguy hiểm.

#### **Bảo dưỡng**

25. **Đề nhân viên sửa chữa đủ trình độ bảo dưỡng dụng cụ máy của bạn và chỉ sử dụng các bộ phận thay thế đồng nhất.** Việc này sẽ đảm bảo duy trì được độ an toàn của dụng cụ máy.
26. **Tuân theo hướng dẫn dành cho việc bôi trơn và thay phụ tùng.**
27. **Giữ tay cầm khô, sạch, không dính dầu và mỡ.**

GEB004-6

## **CẢNH BÁO AN TOÀN VỀ BÚA**

1. **Đeo thiết bị bảo vệ tai.** Việc để tai tiếp xúc với tiếng ồn có thể gây giảm thính lực.
2. **Sử dụng (các) tay cầm phụ, nếu được cung cấp cùng với dụng cụ.** Việc mất khả năng kiểm soát có thể dẫn đến thương tích cá nhân.
3. **Cầm dụng cụ máy bằng bề mặt kẹp cách điện khi thực hiện một thao tác trong đó bộ phận cắt có thể tiếp xúc với dây dẫn kín hoặc dây của chính nó.** Bộ phận cắt tiếp xúc với dây dẫn “có điện” có thể khiến các bộ phận kim loại bị hở của dụng cụ máy “có điện” và làm cho người vận hành bị điện giật.
4. **Mang mũ cứng (nón bảo hộ), đeo kính an toàn và/hoặc mang tấm bảo vệ mặt.** Các loại kính mắt hoặc kính râm thông thường KHÔNG phải là kính an toàn. Chúng tôi khuyến cáo bạn nên mang khẩu trang chống bụi và một đôi găng tay đệm dày.
5. **Đảm bảo rằng phần mũi dụng cụ giữ chặt ở đúng vị trí trước khi vận hành.**
6. **Khi vận hành bình thường, dụng cụ được thiết kế có phát sinh ra rung động.** Các ốc vít có thể dễ dàng bị lỏng ra làm hỏng hoặc gây tai nạn. Kiểm tra độ chặt của các ốc vít trước khi bắt đầu vận hành.

7. Ở thời tiết lạnh hoặc khi dụng cụ không được sử dụng trong thời gian dài, hãy để dụng cụ nóng lên một chút trước khi vận hành hoặc vận hành nó không tải. Điều này sẽ giúp dầu bôi trơn giãn ra. Nếu không làm nóng dụng cụ, thao tác đóng búa sẽ trở nên khó khăn.
8. Luôn đảm bảo bạn có chỗ đặt chân vững chắc. Đảm bảo rằng không có ai ở bên dưới khi sử dụng dụng cụ ở trên cao.
9. Cầm chắc dụng cụ bằng cả hai tay.
10. Giữ tay tránh xa các bộ phận quay.
11. Không để mặc dụng cụ hoạt động. Chỉ vận hành dụng cụ khi cầm trên tay.
12. Không được chỉ dụng cụ về bất cứ ai trong khu vực đang hoạt động. Đầu mũi có thể bay ra và gây tổn thương nghiêm trọng cho người khác.
13. Không được sờ vào phần đầu mũi hoặc các bộ phận gần đầu mũi ngay sau khi hoạt động xong; chúng có thể cực nóng và làm bỏng da bạn.
14. Không được vận hành dụng cụ ở mức không tải không cần thiết.
15. Một số vật liệu có thể chứa hoá chất độc. Hãy cẩn thận để tránh hít phải bụi và tiếp xúc với da. Tuân theo dữ liệu an toàn của nhà cung cấp vật liệu.

## LƯU GIỮ CÁC HƯỚNG DẪN NÀY.

### ⚠ CẢNH BÁO:

**KHÔNG** được để sự thoải mái hay quen thuộc với sản phẩm (có được do sử dụng nhiều lần) thay thế việc tuân thủ nghiêm ngặt các quy định về an toàn dành cho sản phẩm này.

**VIỆC DÙNG SAI** hoặc không tuân theo các quy định về an toàn được nêu trong tài liệu hướng dẫn này có thể dẫn đến thương tích cá nhân nghiêm trọng.

## MÔ TẢ CHỨC NĂNG

### ⚠ CẢNH BÁO:

- Phải luôn đảm bảo rằng dụng cụ đã được tắt điện và ngắt kết nối trước khi chỉnh sửa hoặc kiểm tra chức năng của dụng cụ.

### Hoạt động công tắc (Hình 1)

#### ⚠ CẢNH BÁO:

- Trước khi cắm điện vào dụng cụ, luôn kiểm tra xem dụng cụ đã tắt chưa.
- Công tắc có thể khóa ở vị trí "ON" (BẬT) để người vận hành dễ dàng thuận tiện trong quá trình sử dụng kéo dài. Cần hết sức cẩn trọng khi khóa dụng cụ ở vị trí "ON" (BẬT) và phải luôn giữ chặt dụng cụ.

Để khởi động dụng cụ, bấm vào cần gạt công tắc "ON (I)" (BẬT) ở bên trái dụng cụ. Để khởi động dụng cụ, bấm vào cần gạt công tắc "OFF (O)" (TẮT) ở bên phải dụng cụ.

### Thay đổi tốc độ (Hình 2)

Số nhất mỗi phút có thể được điều chỉnh bằng cách xoay đĩa điều chỉnh. Có thể thực hiện việc này ngay cả khi dụng cụ đang hoạt động. Đĩa xoay được đánh dấu từ 1 (tốc độ thấp nhất) đến 5 (tốc độ cao nhất).

Tham khảo bảng dưới đây về mối liên quan giữa cài đặt theo số trên đĩa điều chỉnh và số nhất mỗi phút.

Số trên đĩa điều chỉnh	Số nhất mỗi phút
5	2.650
4	2.400
3	1.750
2	1.300
1	1.100

010466

### ⚠ CẢNH BÁO:

- Đĩa điều chỉnh tốc độ chỉ có thể được xoay đến số 5 và trở về số 1. Không được cố xoay quá số 5 hoặc số 1, nếu không chức năng điều chỉnh tốc độ có thể sẽ không còn hoạt động được.

### Đổi với riềng Kiểu HM0871C

#### LƯU Ý:

- Số nhất đóng mỗi phút khi không tải sẽ nhỏ hơn số nhất đóng khi có tải để giảm thiểu lực rung khi không tải, tuy nhiên điều này không phải là sự cố. Khi bắt đầu thao tác với đầu mũi tựa lên bê-tông, số nhất đóng mỗi phút sẽ tăng lên và đến các con số được trình bày trong bảng. Khi nhiệt độ thấp và dầu có độ lỏng thấp, dụng cụ có thể không thực hiện được chức năng này ngay cả khi motor đang quay.

### Đèn chỉ báo (Hình 3)

Đèn chỉ báo nguồn điện BẬT màu xanh lá sẽ sáng lên khi dụng cụ được cắm điện. Nếu đèn chỉ báo này không sáng, dây điện chính hoặc bộ điều khiển có thể không hoạt động. Đèn chỉ báo bật sáng nhưng dụng cụ không khởi động ngay cả khi dụng cụ được bật lên, các chổi các-bon có thể bị mòn, hoặc bộ điều khiển, motor hoặc công tắc ON/OFF có thể bị hư hỏng.

Đèn chỉ báo báo tri màu đỏ nhấp nháy khi các chổi các-bon gần bị mòn hết để chỉ báo rằng dụng cụ cần bảo trì. Sau khoảng 8 giờ sử dụng, motor sẽ tự động tắt.

## LẮP RÁP

### ⚠ CẢNH BÁO:

- Luôn luôn đảm bảo rằng dụng cụ đã được tắt và tháo phích cắm trước khi dùng dụng cụ thực hiện bất cứ công việc nào.

### Tay nắm hông (tay nắm phụ trợ)

#### Đổi với dụng cụ sử dụng tay cầm bên hông dạng que (Hình 4)

Tay cầm hông có thể lật qua lại các mặt, cho phép dễ dàng cầm giữ dụng cụ ở bất cứ vị trí nào. Vận lỏng tay cầm hông bằng cách xoay nó ngược chiều kim đồng hồ, lật đến vị trí mong muốn và vận chặt lại bằng cách xoay theo chiều kim đồng hồ.

#### Đổi với dụng cụ có tay nắm hông hình chữ D (Hình 5)

Tay nắm hông có thể xoay 360° theo chiều dọc và giữ chắc ở bất cứ vị trí nào bạn muốn. Nó cũng giữ chặt tại tám vị trí khác trước và sau theo phương ngang. Chỉ cần vận lỏng đai ốc xiết để xoay tay nắm hông đến vị trí mong muốn. Sau đó vận chặt các đai ốc xiết lại.

### Việc lắp đặt hoặc tháo gỡ đầu mũi

Vệ sinh thân đầu mũi và bôi dầu tra đầu mũi trước khi lắp đầu mũi. (Hình 6)

Lắp đầu mũi và dụng cụ. Xoay đầu mũi và nhấn vào cho đến khi nào vào khớp.

Nếu không thể đẩy đầu mũi vào, hãy tháo đầu mũi ra. Kéo nắp tháo xuống một vài lần. Sau đó lắp đầu mũi vào lại. Xoay đầu mũi và nhấn vào cho đến khi nào vào khớp.

#### **(Hình 7)**

Sau khi lắp, hãy luôn đảm bảo rằng đầu mũi đã được giữ chắc chắn đúng vị trí bằng cách thử kéo ra. **(Hình 8)**

Để tháo đầu mũi, kéo nắp tháo xuống hết mức và kéo đầu mũi ra. **(Hình 9)**

### **Góc đầu mũi (Hình 10 & Hình 11)**

Đầu mũi có thể được giữ ở 12 góc nghiêng. Để thay đổi góc đầu mũi, hãy trượt vòng chuyển về phía trước, sau đó xoay vòng chuyển để thay đổi góc đầu mũi. Đến góc mong muốn, hãy trượt vòng chuyển về lại vị trí ban đầu. Đầu mũi sẽ được giữ chặt tại chỗ.

## **VẬN HÀNH**

### **Đục/Đập/Phá hủy (Hình 12 & Hình 13)**

Luôn sử dụng tay cầm bên hông (tay cầm phụ trợ) và giữ chặt dụng cụ bằng cả hai tay cầm bên hông và đổi tay cầm trong lúc vận hành. Bật dụng cụ lên và nắm giữ dụng cụ với lực vừa đủ sao cho dụng cụ không bị rung bật, không kiểm soát được. Việc ấn rất mạnh lên dụng cụ sẽ không làm tăng hiệu quả sử dụng.

## **BẢO TRÌ**

#### **⚠ CẢN TRỌNG:**

- Hãy luôn chắc chắn rằng dụng cụ đã được tắt và ngắt kết nối trước khi cố gắng thực hiện việc kiểm tra hay bảo dưỡng.
- Không bao giờ dùng xăng, ết xăng, dung môi, cồn hoặc hóa chất tương tự. Có thể xảy ra hiện tượng mất màu, biến dạng hoặc nứt vỡ.

### **Tra dầu mỡ**

#### **⚠ CẢN TRỌNG:**

- Việc bảo trì này chỉ được thực hiện bởi các Trung tâm Dịch vụ Được Ủy quyền của Makita.

Dụng cụ này không cần phải tra dầu mỡ hàng giờ hoặc hàng ngày bởi nó có sẵn hệ thống tra dầu mỡ gắn trong. Nên tra dầu mỡ định kỳ cho dụng cụ. Gửi toàn bộ dụng cụ tới Trung tâm Dịch vụ Nhà máy hoặc Trung tâm Trung tâm Dịch vụ Được Ủy quyền của Makita để thực hiện việc tra dầu mỡ.

Để đảm bảo AN TOÀN và TIN CẬY của sản phẩm, việc sửa chữa hoặc bất cứ thao tác bảo trì, điều chỉnh nào đều phải được thực hiện bởi các Trung tâm Dịch vụ Được Ủy quyền của Makita, luôn sử dụng các phụ tùng thiết bị thay thế của Makita.

## **PHỤ KIỆN TỰY CHỌN**

#### **⚠ CẢN TRỌNG:**

- Các phụ kiện hoặc phụ tùng gắn thêm này được khuyến cáo sử dụng với dụng cụ Makita của bạn theo như quy định trong hướng dẫn này. Việc sử dụng bất cứ phụ kiện hoặc phụ tùng gắn thêm nào khác đều có thể gây ra rủi ro thương tích cho người. Chỉ sử dụng phụ kiện hoặc phụ tùng gắn thêm cho mục đích đã quy định sẵn của chúng.

Nếu bạn cần hỗ trợ để biết thêm chi tiết về những phụ kiện này, hãy liên hệ với Trung tâm Dịch vụ của Makita tại địa phương của bạn.

- Đầu đục (SDS-max)
- Mũi đục nguội (SDS-max)
- Mũi đục đánh vẩy (SDS-max)
- Lưỡi mai cắt sét (SDS-max)
- Đầu tra đầu mũi
- Kính bảo hộ
- Mỡ tra búa
- Hộp nhựa chứa dụng cụ

#### **LƯU Ý:**

- Một vài mục trong danh sách có thể được bao gồm trong gói dụng cụ làm phụ kiện tiêu chuẩn. Các thông số kỹ thuật có thể thay đổi tùy theo từng quốc gia.

## คำอธิบายของมุมมองทั่วไป

- |                                  |                      |                         |
|----------------------------------|----------------------|-------------------------|
| 1. ก้านสวิตช์                    | 7. แหวนเกลียวกันคลาย | 13. ขั้วต่อ             |
| 2. ปุ่มหมุนปรับ                  | 8. ก้านดอกสกัด       | 14. สีขาว               |
| 3. ฝาบอกสถานะเปิดใช้งาน (เขียว)  | 9. จาระบีดอกสกัด     | 15. สีดำ                |
| 4. ไฟเตือนการซ่อมแซม (แดง)       | 10. การเปิดฝา        | 16. ฝาปิดครอบข้อเหวี่ยง |
| 5. ด้ามจับด้านข้าง (มือจับเสริม) | 11. แหวนเปลี่ยน      | 17. ไช้คอง              |
| 6. ที่จับด้านข้างด้าน D          | 12. สกรู             | 18. จาระบี              |

## ข้อมูลจำเพาะ

รุ่น	HM0871C	HM0870C
อัตราเจาะกระแทกต่อนาที	1,100 - 2,650 รอบต่อนาที	
ความยาวโดยรวม	466 มม.	449 มม.
น้ำหนักสุทธิ	5.6 กก.	5.1 กก.
มาตรฐานความปลอดภัย	☐//	

- เนื่องจากการค้นคว้าวิจัยและพัฒนาอย่างต่อเนื่อง ข้อมูลจำเพาะในเอกสารฉบับนี้อาจเปลี่ยนแปลงได้โดยไม่ต้องแจ้งให้ทราบล่วงหน้า
- ข้อมูลจำเพาะอาจแตกต่างกันไปในแต่ละประเทศ
- น้ำหนักตามข้อบังคับของ EPTA 01/2003

END201-4

GEA005-3

## สัญลักษณ์

ต่อไปนี้เป็นสัญลักษณ์ที่ใช้สำหรับอุปกรณ์

โปรดศึกษาความหมายของสัญลักษณ์ให้เข้าใจก่อนการใช้งาน



..... อ่านคู่มือการใช้งาน



..... ฉนวนสองชั้น

ENE045-1

## จุดประสงค์ของเครื่องมือ

เครื่องมือนี้ใช้สำหรับงานเจาะสกัดคอนกรีต อิฐ หิน และยางมะตอย ตลอดจนงานขั้วและการอัดแน่นโดยใช้อุปกรณ์เสริมที่เหมาะสม

ENF002-1

## การจ่ายไฟ

ต้องเชื่อมต่อเครื่องมือกับเครื่องจ่ายไฟที่มีแรงเคลื่อนไฟฟ้าตามที่ระบุไว้ในป้ายข้อมูลเครื่องมือ และจะต้องใช้ไฟฟ้ากระแสสลับแบบเฟสเดียวเท่านั้น อุปกรณ์นี้ได้รับการหุ้มฉนวนสองชั้นตามมาตรฐาน European Standard และสามารถเข้ากับปลั๊กไฟที่ไม่ใช่สายดินได้

## คำเตือนด้านความปลอดภัยของเครื่องมือไฟฟ้าทั่วไป

⚠ คำเตือน อ่านคำเตือนด้านความปลอดภัยและคำแนะนำทั้งหมด การไม่ปฏิบัติตามคำเตือนและคำแนะนำดังกล่าวอาจส่งผลให้เกิดไฟฟ้าช็อต ไฟไหม้ และ/หรือได้รับบาดเจ็บอย่างร้ายแรง

## เก็บรักษาเครื่องมือและคำแนะนำทั้งหมดไว้เป็นข้อมูลอ้างอิงในอนาคต

คำว่า “เครื่องมือไฟฟ้า” ในคำเตือนนี้ หมายถึง เครื่องมือไฟฟ้า (มีสาย) ที่ทำงานโดยใช้กระแสไฟฟ้า หรือเครื่องมือไฟฟ้า (ไร้สาย) ที่ทำงานโดยใช้แบตเตอรี่

## ความปลอดภัยของพื้นที่ทำงาน

- ดูแลพื้นที่ทำงานให้มีความสะอาดและมีแสงไฟสว่าง พื้นที่ที่กระเบื้องหรือมีดที่บอบนำไปสู่การเกิดอุบัติเหตุได้
- อย่าใช้งานเครื่องมือไฟฟ้าในสภาพที่อาจเกิดการระเบิด เช่น ในสถานที่ที่มีของเหลว ก๊าซ หรือฝุ่นผงที่มีคุณสมบัติไวไฟ เครื่องมือไฟฟ้าจะสร้างประกายไฟเพื่อจุดชนวนฝุ่นผงหรือก๊าซดังกล่าว

3. **ดูและไม่ให้มีเด็กๆ หรือบุคคลอื่นอยู่ในบริเวณที่กำลังใช้เครื่องมือไฟฟ้า** การมีสิ่งรบกวนสมาธิอาจทำให้คุณสูญเสียการควบคุม

#### ความปลอดภัยด้านไฟฟ้า

4. **ปลั๊กของเครื่องมือไฟฟ้าต้องพอดีกับตัวรับ อย่าดัดแปลงปลั๊กไม่ว่ากรณีใดๆ** อย่าใช้ปลั๊กอะแดปเตอร์กับเครื่องมือไฟฟ้าที่ต่อสายดิน ปลั๊กที่ไม่ถูกดัดแปลงและเข้ารีดไฟที่เข้ากันพอดีจะช่วยลดความเสี่ยงของการเกิดไฟฟ้าช็อต
5. **ระวังอย่าให้ร่างกายสัมผัสกับพื้นผิวที่ต่อสายดิน เช่น ท่อ เครื่องนำความร้อน เตาหุงต้ม และตู้เย็น** มีความเสี่ยงที่จะเกิดไฟฟ้าช็อตสูงขึ้น หากร่างกายของคุณสัมผัสกับพื้น
6. **อย่าให้เครื่องมือไฟฟ้าถูกน้ำหรืออยู่ในสภาพเปียกชื้น** น้ำที่ไหลเข้าไปในเครื่องมือไฟฟ้าจะเพิ่มความเสี่ยงของการเกิดไฟฟ้าช็อต
7. **อย่าใช้สายไฟอย่างไม่เหมาะสม อย่าใช้สายไฟเพียงอก ดึง หรือถอดปลั๊กเครื่องมือไฟฟ้า** เก็บสายไฟให้ห่างจากความร้อน น้ำมัน ของมีคม หรือชิ้นส่วนที่เคลื่อนที่ สายที่ชำรุดหรือพันกันจะเพิ่มความเสี่ยงของการเกิดไฟฟ้าช็อต
8. **ขณะที่ใช้งานเครื่องมือไฟฟ้าในอาคาร ควรใช้สายที่เหมาะสมกับงาน** ภายนอกอาคารจะลดความเสี่ยงของการเกิดไฟฟ้าช็อต
9. **หากต้องใช้งานเครื่องมือไฟฟ้าในสถานที่เปียกชื้น ให้ใช้อุปกรณ์ป้องกันกระแสไฟรั่ว (RCD)** การใช้ RCD จะลดความเสี่ยงของการเกิดไฟฟ้าช็อต
10. **ขอแนะนำให้เลือกแหล่งจ่ายไฟผ่าน RCD ที่มีกระแสไฟรั่วในอัตราไม่เกิน 30 mA เสมอ**

#### ความปลอดภัยส่วนบุคคล

11. **ให้ระมัดระวัง และสังเกตเสมอว่าคุณกำลังกำลังทำอะไรอยู่ และใช้สามัญสำนึกในขณะที่ใช้งานเครื่องมือไฟฟ้า** อย่าใช้งานเครื่องมือไฟฟ้าในขณะที่คุณกำลังเหนื่อย หรือในสภาพที่มีนเมาจากยาเสพติด เครื่องดื่มแอลกอฮอล์ หรือการใส่ยา ช่วงเวลาที่ขาดความระมัดระวังเมื่อกำลังใช้งานเครื่องมือไฟฟ้าอาจทำให้คุณได้รับบาดเจ็บอย่างรุนแรง
12. **ใช้อุปกรณ์ป้องกันส่วนบุคคล สวมแว่นตาป้องกันเสมอ** อุปกรณ์ป้องกัน เช่น หน้ากากกันฝุ่น รองเท้านิรภัยกันลื่น หมวกนิรภัย หรือเครื่องป้องกันการได้ยินที่ใช้ในสภาพที่เหมาะสมจะช่วยลดการบาดเจ็บ
13. **ป้องกันไม่ให้เปิดใช้งานอย่างไม่ตั้งใจ ตรวจสอบว่าสวิตช์อยู่ในตำแหน่งปิดก่อนเชื่อมต่อแหล่งจ่ายไฟ และ/หรือชุดแบตเตอรี่** หรือก่อนการยกหรือถือเครื่องมือ การสอดนิ้วมือบริเวณสวิตช์ที่ถือเครื่องมือไฟฟ้า หรือการชาร์จไฟเครื่องมือไฟฟ้าในขณะที่เปิดสวิตช์อยู่อาจนำไปสู่การเกิดอุบัติเหตุ
14. **นำกฎฉบับปรับแต่งหรือประกอบก่อนที่จะเปิดเครื่องมือไฟฟ้า** ประแจหรือกุญแจที่เสียบค้างอยู่ในชิ้นส่วนที่หมุนได้ของเครื่องมือไฟฟ้าอาจทำให้คุณได้รับบาดเจ็บ

15. **อย่าทำงานในระบะที่มืดเอี่ยม จัดทำการยืนและการทรงตัวให้เหมาะสมตลอดเวลา** เพราะจะทำให้ควบคุมเครื่องมือไฟฟ้าได้ดีขึ้นในสถานการณ์ที่ไม่คาดคิด
16. **แต่งกายให้เหมาะสม** อย่าสวมเครื่องแต่งกายที่หลวมเกินไป หรือสวมเครื่องประดับ ดูแลไม่ให้เส้นผม เสื้อผ้า และถุงมืออยู่ใกล้ชิ้นส่วนที่เคลื่อนที่ เสื้อผ้าถูกรวม เครื่องประดับ หรือผมที่มีความยาวอาจเข้าไปติดในชิ้นส่วนที่เคลื่อนที่
17. **หากมีการจัดอุปกรณ์สำหรับชุดและจัดเก็บอุปกรณ์ไว้ในสถานที่ ให้ตรวจสอบว่าได้เชื่อมต่อและใช้งานอุปกรณ์นั้นอย่างเหมาะสม** การใช้เครื่องชุดและจัดเก็บฝุ่นจะช่วยลดอันตรายที่เกิดจากฝุ่นผงได้

#### การใช้และดูแลเครื่องมือไฟฟ้า

18. **อย่าฝืนใช้เครื่องมือไฟฟ้า ใช้เครื่องมือไฟฟ้าที่เหมาะสมกับการใช้งานของคุณ** เครื่องมือไฟฟ้าที่เหมาะสมจะทำให้ใช้งานได้มีประสิทธิภาพและปลอดภัยกว่าตามขีดความสามารถของเครื่องที่ได้รับการออกแบบมา
19. **อย่าใช้เครื่องมือไฟฟ้า หากสวิตช์ไม่สามารถเปิดปิดได้** เครื่องมือไฟฟ้าที่ควบคุมด้วยสวิตช์ไม่ได้เป็นอันตรายและต้องได้รับการซ่อมแซม
20. **ถอดปลั๊กจากแหล่งจ่ายไฟ และ/หรือชุดแบตเตอรี่ออกจากเครื่องมือไฟฟ้าก่อนทำการปรับแต่ง เปลี่ยนอุปกรณ์เสริม หรือจัดเก็บเครื่องมือไฟฟ้า** วิธีการป้องกันด้านความปลอดภัยดังกล่าวจะช่วยลดความเสี่ยงของการเปิดใช้งานเครื่องมือไฟฟ้าอย่างไม่ตั้งใจ
21. **จัดเก็บเครื่องมือไฟฟ้าที่ไม่ได้ใช้งานให้ห่างจากมือเด็ก และอย่าอนุญาตให้บุคคลที่ไม่คุ้นเคยกับเครื่องมือไฟฟ้าหรือคำแนะนำเหล่านี้ใช้งานเครื่องมือไฟฟ้า** เครื่องมือไฟฟ้าจะเป็นอันตรายเมื่ออยู่ในมือของผู้ที่ไม่ได้รับการฝึกอบรม
22. **การดูแลรักษาเครื่องมือไฟฟ้า ตรวจสอบการประกอบที่ไม่ถูกต้องหรือการเชื่อมต่อของชิ้นส่วนที่เคลื่อนที่ การแตกหักของชิ้นส่วน หรือสภาพอื่นๆ ที่อาจส่งผลกระทบต่อการทำงานของเครื่องมือไฟฟ้า** หากมีความเสียหาย ให้นำเครื่องมือไฟฟ้าไปซ่อมแซมก่อนการใช้งาน อุบัติเหตุจำนวนมากเกิดจากการดูแลรักษาเครื่องมือไฟฟ้าอย่างไม่ถูกต้อง
23. **ล้างความคมและทำความสะอาดเครื่องมือการตัดอยู่เสมอ** เครื่องมือการตัดที่มีการดูแลอย่างถูกต้องและมีขอบการตัดคมมักจะมีปัญหาตัดชัตน้อยและควบคุมได้ง่ายกว่า
24. **ใช้เครื่องมือไฟฟ้า อุปกรณ์เสริม และวัสดุสิ้นเปลือง ฯลฯ ตามคำแนะนำดังกล่าว** พิจารณาสภาพการทำงานและงานที่จะลงมือทำ การใช้เครื่องมือไฟฟ้าเพื่อทำงานอื่นนอกเหนือจากที่กำหนดไว้อาจทำให้เกิดอันตราย

#### การบริการ

25. **นำเครื่องมือไฟฟ้าเข้ารับบริการจากช่างซ่อมที่ผ่านการรับรองโดยใช้อะไหล่แบบเดียวกันเท่านั้น** เพราะจะทำให้การใช้เครื่องมือไฟฟ้ามีความปลอดภัย

26. ปฏิบัติตามคำแนะนำในการหล่อลื่นและการเปลี่ยนอุปกรณ์เสริม
27. ดูแลมือจับให้แห้ง สะอาด และไม่มีน้ำมันและจาระบีเปื้อน

GEB004-6

## คำเตือนด้านความปลอดภัยของเครื่อง

### เจาะสกัด

1. สวมใส่อุปกรณ์ป้องกันเสียง เสียงที่ดังเกินขนาดอาจทำให้สูญเสียการได้ยิน
2. ใช้มือจับเสริม ถ้ามีมากับเครื่อง การสูญเสียความควบคุมอาจทำให้เกิดการบาดเจ็บ
3. ถือเครื่องมือบริเวณมือจับที่เป็นคนวน ขณะทำงานที่เครื่องมือตัดอาจสัมผัสกับสายไฟที่ซ่อนอยู่หรือสายไฟของเครื่องเอง เครื่องมือตัดที่สัมผัสกับสายไฟที่ “มีกระแสไฟฟ้าไหลผ่าน” อาจทำให้ส่วนที่เป็นโลหะของเครื่องมือไฟฟ้าที่ไม่มีฉนวนหุ้ม “มีกระแสไฟฟ้าไหลผ่าน” และทำให้ผู้ปฏิบัติงานถูกไฟฟ้าช็อตได้
4. สวมหมวกแข็ง (หมวกนิรภัย) แวนนิรภัย และ/หรือหน้ากากป้องกัน แวนตาปกติหรือแว่นกันแดดไม่ใช่แว่นนิรภัย และขอแนะนำอย่างยิ่งให้สวมหน้ากากกันฝุ่นและถุงมือหนาๆ
5. ตรวจสอบให้แน่ใจว่าดอกสว่านยึดแน่นเข้าที่ดีแล้วก่อนการใช้งาน
6. ภายใต้งานทำงานปกติ เครื่องมือได้รับการออกแบบมาเพื่อสร้างแรงสั่นสะเทือน ดังนั้น สกรูต่างๆ จะหลวมได้ง่าย ซึ่งอาจทำให้เครื่องเสียหายหรือเกิดอุบัติเหตุ ตรวจสอบให้แน่ใจว่าขันสกรูแน่นดีแล้วก่อนการใช้งาน
7. ในสภาพอากาศหนาวหรือเมื่อไม่มีการใช้เครื่องมือเป็นระยะเวลานาน ต้องอุ่นเครื่องมือสักครู่โดยการเปิดเครื่องทิ้งไว้เฉยๆ เพื่อให้มีการหล่อลื่น หากไม่มีการอุ่นเครื่องมืออย่างเหมาะสม การเจาะสกัดจะทำได้ยาก
8. ตรวจสอบบริเวณที่ยืนให้มีความมั่นคงเสมอหากใช้งานเครื่องมือในพื้นที่สูง ระวังอย่าให้มีคนอยู่ด้านล่าง
9. จับเครื่องมือให้แน่นด้วยมือทั้งสองข้าง
10. ระวังอย่าให้มือสัมผัสกับชิ้นส่วนที่เคลื่อนที่
11. อย่าปล่อยให้เครื่องมือทำงานค้างไว้ ใช้งานเครื่องมือในขณะที่ถืออยู่เท่านั้น
12. อย่าใช้เครื่องมือชี้ไปที่บุคคลใดในพื้นที่ทำงานขณะใช้งาน ดอกสว่านอาจหลุดออกและทำให้ได้รับบาดเจ็บร้ายแรงได้
13. ห้ามสัมผัสกับดอกสว่านหรือชิ้นส่วนที่ใกล้กับดอกสว่านทันทีที่ทำงานเสร็จ เนื่องจากดอกสว่านหรือชิ้นส่วนอาจมีความร้อนสูงและลวกผิวหนังของคุณได้
14. อย่าใช้เครื่องมือโดยเปิดเครื่องทิ้งไว้เฉยๆ โดยไม่จำเป็น
15. วัสดุบางอย่างอาจมีสารเคมีที่เป็นพิษ ระวังอย่าสูดดมฝุ่นหรือให้สารเหล่านั้นสัมผัสกับร่างกาย ปฏิบัติตามข้อมูลด้านความปลอดภัยของผู้ผลิตวัสดุ

## บันทึกคำแนะนำเหล่านี้

### ⚠ คำเตือน:

อย่าให้ความไม่ระมัดระวังหรือความคุ้นเคยกับผลิตภัณฑ์ (จากการใช้งานซ้ำหลายครั้ง) อยู่เหนือการปฏิบัติตามกฎเกณฑ์ด้านความปลอดภัยในการใช้งานผลิตภัณฑ์อย่างเคร่งครัด การปฏิบัติอย่างไม่เหมาะสมหรือการไม่ปฏิบัติตามกฎเกณฑ์ด้านความปลอดภัยในคู่มือใช้งานนี้อาจก่อให้เกิดการบาดเจ็บอย่างรุนแรง

## คำอธิบายการทำงาน

### ⚠ ข้อควรระวัง:

- ตรวจสอบให้แน่ใจว่าสวิตช์เครื่องมืออยู่ในตำแหน่งปิดเครื่อง และถอดปลั๊กเครื่องมือออกก่อนปรับตั้งหรือตรวจสอบการทำงานของเครื่องมือ

## การทำงานของสวิตช์ (ภาพที่ 1)

### ⚠ ข้อควรระวัง:

- ก่อนเสียบปลั๊กเครื่องมือ ให้ตรวจสอบว่าสวิตช์เครื่องมืออยู่ในตำแหน่งปิดเครื่อง
  - สวิตช์สามารถล็อกในตำแหน่ง “ON” เพื่อช่วยให้สะดวกในการใช้งานอย่างต่อเนื่อง ใช้ความระมัดระวังเมื่อล็อกสวิตช์เครื่องมือในตำแหน่ง “ON” และจับเครื่องมือให้แน่นตลอดเวลา
- เปิดใช้เครื่องมือโดยดันก้านสวิตช์ไปที่ตำแหน่ง “ON (I)” ทางด้านซ้ายของเครื่องมือ ปิดใช้เครื่องมือโดยดันก้านสวิตช์ไปที่ตำแหน่ง “OFF (O)” ทางด้านขวาของเครื่องมือ

## การเปลี่ยนระดับความเร็ว (ภาพที่ 2)

อัตราเจาะกระแทกต่อนาทีสามารถปรับได้โดยการหมุนปุ่มหมุนปรับ ซึ่งสามารถทำได้ขณะที่เครื่องมือกำลังทำงานอยู่ ปุ่มหมุนปรับจะมีระดับ 1 (ความเร็วต่ำสุด) ถึง 5 (ความเร็วสูงสุด) โปรดดูความสัมพันธ์ระหว่างระดับที่ปุ่มหมุนปรับและอัตราการหมุนต่อนาที

ตัวเลขบนปุ่มหมุนปรับ	อัตราเจาะกระแทกต่อนาที
5	2,650
4	2,400
3	1,750
2	1,300
1	1,100

010466

### ⚠ ข้อควรระวัง:

- ปุ่มหมุนปรับความเร็วสามารถหมุนไปจนสุดที่หมายเลข 5 และหมุนกลับจนถึงหมายเลข 1 อย่างอื่นหมุนเลยหมายเลข 5 หรือ 1 ไม่เช่นนั้นฟังก์ชันการปรับความเร็วอาจไม่สามารถใช้งานได้อีกต่อไป

### สำหรับรุ่น HM0871C เท่านั้น

#### หมายเหตุ:

- อัตราเจาะกระแทกก่อนที่โดยไม่มีวัตถุใดๆ รองรับจะน้อยกว่าอัตราเจาะกระแทกโดยมีวัตถุรองรับ ทั้งนี้เพื่อลดแรงสั่นสะเทือนเมื่อไม่มีวัตถุใดๆ รองรับ ซึ่งไม่ใช่ปัญหาแต่อย่างใด หลังจากที่เริ่มเจาะดอกไขควงเข้ากับคอนกรีต อัตราเจาะกระแทกก่อนที่ จะเพิ่มขึ้นและเป็นไปตามตัวเลขที่ปรากฏในตาราง เมื่ออุณหภูมิต่ำ และจากระบบมีความหนืดน้อยลง เครื่องมืออาจจะไม่ทำงานตามที่กล่าวมานี้แม้ว่ามอเตอร์จะหมุนอยู่ก็ตาม

### ไฟแสดงสถานะ (ภาพที่ 3)

ไฟแสดงสถานะเปิดเครื่องสีเขียวจะสว่างขึ้นเมื่อเสียบปลั๊กเครื่องเมื่อถ้าไฟแสดงสถานะไม่สว่างขึ้น แสดงว่าสายไฟหลักหรือตัวควบคุมอาจทำงานผิดปกติ การที่ไฟแสดงสถานะติดแต่เครื่องมือไม่เริ่มทำงานแม้จะเปิดสวิตช์ก็ตามแสดงว่าแปรปรวนบางอย่างจะเสีย หรือตัวควบคุม มอเตอร์ และสวิตช์เปิดปิดอาจเสีย

ดวงไฟแจ้งเตือนสีแดงจะพริบเมื่อแปรปรวนบางอย่างทั้งหมดสภาพเพื่อให้ผู้ใช้ทราบว่ามีอาการซ่อมแซมเครื่องมือ หลังจากใช้งานประมาณ 8 ชั่วโมง มอเตอร์จะปิดการทำงานโดยอัตโนมัติ

### การประกอบ

#### ⚠ ข้อควรระวัง:

- ตรวจสอบให้แน่ใจว่าสวิตช์เครื่องมืออยู่ในตำแหน่งปิดเครื่อง และถอดปลั๊กเครื่องมือออกก่อนดำเนินการใดๆ กับเครื่องมือ

### มือจับด้านข้าง (มือจับเสริม)

#### สำหรับเครื่องมือที่มีมือจับด้านข้างแบบด้าม (ภาพที่ 4)

ด้ามจับด้านข้างสามารถเลื่อนไปรอบๆ ได้ทั้งสองด้าน ทำให้จับเครื่องมือได้ง่ายในทุกตำแหน่ง คลายด้ามจับด้านข้างโดยการหมุนด้ามจับบนขีมนาฬิกา แล้วเลื่อนไปยังตำแหน่งที่ต้องการ จากนั้นยึดให้แน่นโดยการหมุนด้ามจับตามขีมนาฬิกา

#### สำหรับเครื่องมือที่มีมือจับด้านข้างรูปตัว D (ภาพที่ 5)

มือจับด้านข้างสามารถปรับหมุนในแนวตั้งได้ 360° และยึดแน่นในตำแหน่งที่ต้องการ และยังสามารถปรับในแนวนอนไปข้างหน้าและข้างหลังได้แปดตำแหน่ง เพียงคลายน็อตบนกลายเพื่อเลื่อนมือจับด้านข้างไปยังตำแหน่งที่ต้องการ แล้วขันน็อตบนกลายให้แน่น

### การติดตั้งหรือถอดดอกสกัด

ทำความสะอาดก้านดอกสกัดและหาจากระเบียงที่ดอกสกัดก่อนการติดตั้งดอกสกัด (ภาพที่ 6)

ใส่ดอกสกัดลงในเครื่องมือ หมุนและดันดอกสกัดจนกระทั่งเข้าที่ ถ้าไม่สามารถดันดอกสกัดเข้าไปได้ ให้ถอดดอกสกัดออก แล้วดึงหัวจับลงสองครั้ง จากนั้นใส่ดอกสกัดอีกครั้ง หมุนและดันดอกสกัดจนกระทั่งเข้าที่ (ภาพที่ 7)

หลังจากการติดตั้ง ตรวจสอบให้แน่ใจว่าดอกสกัดยึดแน่นเข้าที่ดีแล้ว โดยลองพยายามดึงออก (ภาพที่ 8)

เมื่อต้องการถอดดอกสว่านออก ให้ดึงหัวจับลงจนสุดและดึงดอกสว่านออก (ภาพที่ 9)

### มุมดอกสกัด (ภาพที่ 10 และภาพที่ 11)

ดอกสกัดสามารถปรับมุมได้ 12 ตำแหน่ง เมื่อต้องการเปลี่ยนมุมดอกสกัด ให้เลื่อนแหวนปรับมุมไปข้างหน้า แล้วหมุนแหวนปรับมุมเพื่อเปลี่ยนมุมดอกสกัด เมื่อได้มุมที่ต้องการแล้ว ให้เลื่อนแหวนปรับมุมกลับสู่ตำแหน่งเดิม ดอกสกัดจะยึดเข้าที่

### การใช้งาน

### การกระแทก/การกระแทก/การเจาะสกัด (ภาพที่ 12 และภาพที่ 13)

ใช้ด้ามจับด้านข้าง (มือจับเสริม) เสมอ และจับเครื่องมือให้แน่นด้วยด้ามจับด้านข้างและมือจับสวิตช์ในระหว่างการใช้งาน เปิดสวิตช์เครื่องมือ และใช้แรงกดเครื่องมือเล็กน้อย เพื่อไม่ให้เครื่องมือติดกลับจนไม่สามารถควบคุมได้ การกดเครื่องมือแรงๆ จะไม่เพิ่มประสิทธิภาพการทำงาน

### การบำรุงรักษา

#### ⚠ ข้อควรระวัง:

- ตรวจสอบให้แน่ใจว่าได้ปิดสวิตช์เครื่องมือและถอดปลั๊กออกก่อนทำการตรวจสอบหรือบำรุงรักษา
- อย่าใช้น้ำมันเชื้อเพลิง เบนซิน ทินเนอร์ แอลกอฮอล์ หรือวัสดุประเภทเดียวกัน เพราะอาจทำให้เครื่องมือมีสีซีดจาง ผิดรูปทรงหรือแตกหักได้

### การหล่อลื่น

#### ⚠ ข้อควรระวัง:

- การให้บริการนี้ควรทำโดยศูนย์บริการที่ผ่านการรับรองจาก Makita เท่านั้น

เครื่องมือนี้ไม่จำเป็นต้องหล่อลื่นทุกชั่วโมงหรือทุกวัน เนื่องจากระบบหล่อลื่นด้วยการอัดจาระบี ควรหล่อลื่นเครื่องมือเป็นประจำโปรดส่งเครื่องมือทั้งหมดไปยังศูนย์บริการหรือโรงงานที่ผ่านการรับรองจาก Makita เพื่อทำการหล่อลื่น

เพื่อความปลอดภัยและความน่าเชื่อถือของผลิตภัณฑ์ ควรให้ศูนย์บริการที่ได้รับการรับรองจาก Makita เป็นผู้ดำเนินการซ่อมแซม บำรุงรักษา และทำการปรับตั้งอื่นๆ นอกจากนี้ให้ใช้อะไหล่ของแท้จาก Makita เสมอ

## อุปกรณ์เสริม

### ⚠ ข้อควรระวัง:

- ขอแนะนำให้ใช้เฉพาะอุปกรณ์เสริมหรืออุปกรณ์ต่อพ่วงเหล่านี้กับเครื่องมือ Makita ที่ระบุในคู่มือ การใช้อุปกรณ์เสริมหรืออุปกรณ์ต่อพ่วงอื่นๆ อาจมีความเสี่ยงที่จะได้รับบาดเจ็บ ใช้อุปกรณ์เสริมหรืออุปกรณ์ต่อพ่วงตามวัตถุประสงค์ที่ระบุไว้เท่านั้น

หากคุณต้องการทราบรายละเอียดเกี่ยวกับอุปกรณ์เสริมเหล่านี้ โปรดสอบถามศูนย์บริการ Makita ใกล้บ้านคุณ

- ดอกสกัดปากแหลม (SDS-max)
- ดอกสกัดปากแบน (SDS-max)
- ดอกสกัดแบนใหญ่ (SDS-max)
- ดอกสกัดพลั่ว (SDS-max)
- จาระบีดอกสกัด
- แวนดามันรภัย
- จาระบีเครื่องเจาะสกัด
- กระจเป่าลือพลาสติก

### หมายเหตุ:

- อุปกรณ์บางรายการอาจรวมอยู่ในชุดอุปกรณ์พื้นฐานของผลิตภัณฑ์ ซึ่งอาจแตกต่างกันไปในแต่ละประเทศ

Makita Corporation  
3-11-8, Sumiyoshi-cho,  
Anjo, Aichi 446-8502 Japan  
www.makita.com