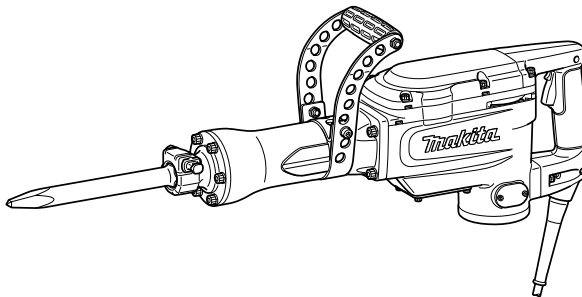
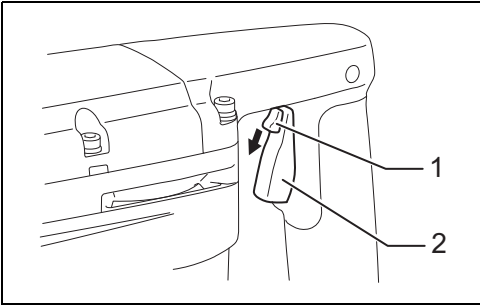




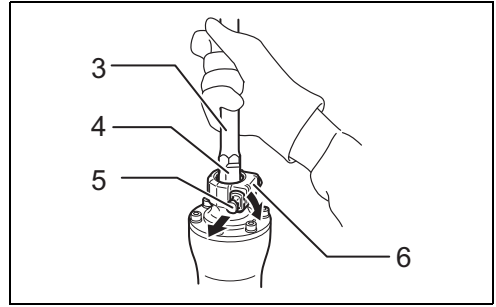
<b>GB</b>	Demolition Hammer	Instruction manual
<b>ZHCN</b>	电镐	使用说明书
<b>ID</b>	Mesin Bobok	Petunjuk penggunaan
<b>MS</b>	Tukul Meroboh	Manual arahan
<b>VI</b>	Máy Đục Bê Tông Cầm Tay Hoạt Động Bằng Động Cơ Điện	Tài liệu hướng dẫn
<b>TH</b>	เครื่องเจาะสกัด	คู่มือการใช้งาน

# HM1306

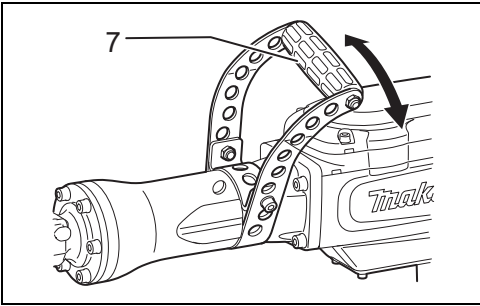




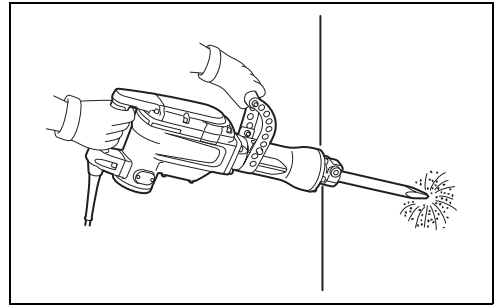
1 008265



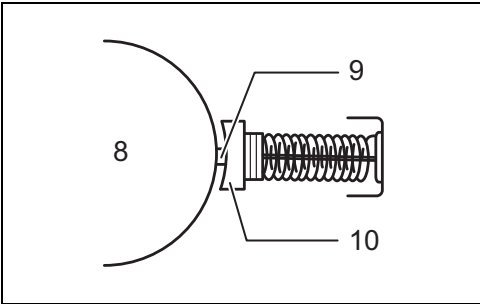
2 008266



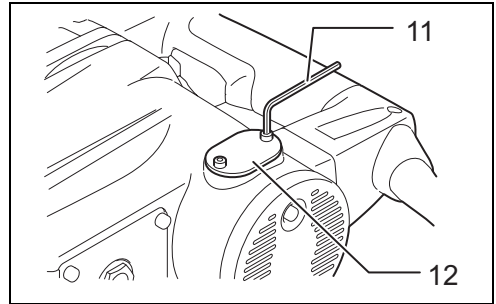
3 008267



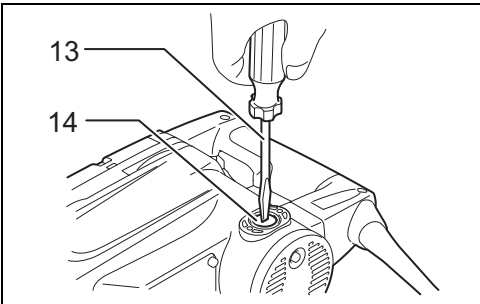
4 008268



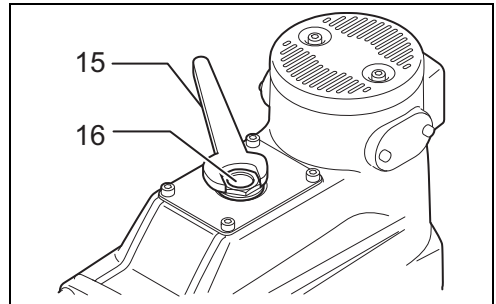
5 001146



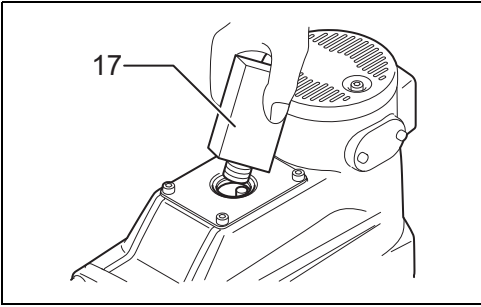
6 008269



7 008270



8 008271



**9**

008272

**Explanation of general view**

- |                    |                      |                      |
|--------------------|----------------------|----------------------|
| 1. Lock button     | 7. Side handle       | 13. Screwdriver      |
| 2. Switch trigger  | 8. Commutator        | 14. Brush holder cap |
| 3. Bull point      | 9. Insulating tip    | 15. Wrench           |
| 4. Notched portion | 10. Carbon brush     | 16. Oil gauge        |
| 5. Tool retainer   | 11. Hex wrench       | 17. Oil supply       |
| 6. Tool holder     | 12. Holder cap plate |                      |

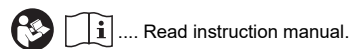
**SPECIFICATIONS**

Model	HM1306
Blows per minute	1,450 min <sup>-1</sup>
Overall length	652 mm
Net weight	15.1 kg

- Due to our continuing programme of research and development, the specifications herein are subject to change without notice.
- Specifications may differ from country to country.
- Weight according to EPTA-Procedure 01/2003

**Symbols**

The following show the symbols used for the equipment. Be sure that you understand their meaning before use.



END224-3

**Intended use**

The tool is intended for heavy chiselling and demolition work as well as for driving and compacting with appropriate accessories.

ENE046-1

**Power supply**

The tool should be connected only to a power supply of the same voltage as indicated on the nameplate, and can only be operated on single-phase AC supply. This tool should be grounded while in use to protect the operator from electric shock. Use only three-wire extension cords which have three-prong grounding-type plugs and three-pole receptacles which accept the tool's plug.

ENF001-1

**General Power Tool Safety Warnings**

**⚠ WARNING! Read all safety warnings and all instructions.** Failure to follow the warnings and instructions may result in electric shock, fire and/or serious injury.

GEA005-3

**Save all warnings and instructions for future reference.**

The term "power tool" in the warnings refers to your mains-operated (corded) power tool or battery-operated (cordless) power tool.

**Work area safety**

1. **Keep work area clean and well lit.** Cluttered or dark areas invite accidents.
2. **Do not operate power tools in explosive atmospheres, such as in the presence of flammable liquids, gases or dust.** Power tools create sparks which may ignite the dust or fumes.
3. **Keep children and bystanders away while operating a power tool.** Distractions can cause you to lose control.

**Electrical safety**

4. **Power tool plugs must match the outlet. Never modify the plug in any way. Do not use any adapter plugs with earthed (grounded) power tools.** Unmodified plugs and matching outlets will reduce risk of electric shock.
5. **Avoid body contact with earthed or grounded surfaces such as pipes, radiators, ranges and refrigerators.** There is an increased risk of electric shock if your body is earthed or grounded.
6. **Do not expose power tools to rain or wet conditions.** Water entering a power tool will increase the risk of electric shock.
7. **Do not abuse the cord. Never use the cord for carrying, pulling or unplugging the power tool. Keep cord away from heat, oil, sharp edges or moving parts.** Damaged or entangled cords increase the risk of electric shock.
8. **When operating a power tool outdoors, use an extension cord suitable for outdoor use.** Use of a cord suitable for outdoor use reduces the risk of electric shock.
9. **If operating a power tool in a damp location is unavoidable, use a residual current device (RCD) protected supply.** Use of an RCD reduces the risk of electric shock.
10. **Use of power supply via a RCD with a rated residual current of 30mA or less is always recommended.**

## Personal safety

11. **Stay alert, watch what you are doing and use common sense when operating a power tool. Do not use a power tool while you are tired or under the influence of drugs, alcohol or medication.** A moment of inattention while operating power tools may result in serious personal injury.
12. **Use personal protective equipment. Always wear eye protection.** Protective equipment such as dust mask, non-skid safety shoes, hard hat, or hearing protection used for appropriate conditions will reduce personal injuries.
13. **Prevent unintentional starting. Ensure the switch is in the off-position before connecting to power source and/or battery pack, picking up or carrying the tool.** Carrying power tools with your finger on the switch or energising power tools that have the switch on invites accidents.
14. **Remove any adjusting key or wrench before turning the power tool on.** A wrench or a key left attached to a rotating part of the power tool may result in personal injury.
15. **Do not overreach. Keep proper footing and balance at all times.** This enables better control of the power tool in unexpected situations.
16. **Dress properly. Do not wear loose clothing or jewellery. Keep your hair, clothing, and gloves away from moving parts.** Loose clothes, jewellery or long hair can be caught in moving parts.
17. **If devices are provided for the connection of dust extraction and collection facilities, ensure these are connected and properly used.** Use of dust collection can reduce dust-related hazards.

## Power tool use and care

18. **Do not force the power tool. Use the correct power tool for your application.** The correct power tool will do the job better and safer at the rate for which it was designed.
19. **Do not use the power tool if the switch does not turn it on and off.** Any power tool that cannot be controlled with the switch is dangerous and must be repaired.
20. **Disconnect the plug from the power source and/or the battery pack from the power tool before making any adjustments, changing accessories, or storing power tools.** Such preventive safety measures reduce the risk of starting the power tool accidentally.
21. **Store idle power tools out of the reach of children and do not allow persons unfamiliar with the power tool or these instructions to operate the power tool.** Power tools are dangerous in the hands of untrained users.
22. **Maintain power tools. Check for misalignment or binding of moving parts, breakage of parts and any other condition that may affect the power tool's operation. If damaged, have the power tool repaired before use.** Many accidents are caused by poorly maintained power tools.
23. **Keep cutting tools sharp and clean.** Properly maintained cutting tools with sharp cutting edges are less likely to bind and are easier to control.
24. **Use the power tool, accessories and tool bits etc. in accordance with these instructions, taking into**

**account the working conditions and the work to be performed.** Use of the power tool for operations different from those intended could result in a hazardous situation.

## Service

25. **Have your power tool serviced by a qualified repair person using only identical replacement parts.** This will ensure that the safety of the power tool is maintained.
26. **Follow instruction for lubricating and changing accessories.**
27. **Keep handles dry, clean and free from oil and grease.**

GEB079-1

## HAMMER SAFETY WARNINGS

1. **Wear ear protectors.** Exposure to noise can cause hearing loss.
2. **Use auxiliary handle(s), if supplied with the tool.** Loss of control can cause personal injury.
3. **Wear a hard hat (safety helmet), safety glasses and/or face shield. Ordinary eye or sun glasses are NOT safety glasses. It is also highly recommended that you wear a dust mask and thickly padded gloves.**
4. **Be sure the bit is secured in place before operation.**
5. **Under normal operation, the tool is designed to produce vibration. The screws can come loose easily, causing a breakdown or accident. Check tightness of screws carefully before operation.**
6. **In cold weather or when the tool has not been used for a long time, let the tool warm up for a while by operating it under no load. This will loosen up the lubrication. Without proper warm-up, hammering operation is difficult.**
7. **Always be sure you have a firm footing. Be sure no one is below when using the tool in high locations.**
8. **Hold the tool firmly with both hands.**
9. **Keep hands away from moving parts.**
10. **Do not leave the tool running. Operate the tool only when hand-held.**
11. **Do not point the tool at any one in the area when operating. The bit could fly out and injure someone seriously.**
12. **Do not touch the bit or parts close to the bit immediately after operation; they may be extremely hot and could burn your skin.**
13. **Do not operate the tool at no-load unnecessarily.**
14. **Some material contains chemicals which may be toxic. Take caution to prevent dust inhalation and skin contact. Follow material supplier safety data.**

## SAVE THESE INSTRUCTIONS.

### ⚠ WARNING:

**DO NOT let comfort or familiarity with product (gained from repeated use) replace strict adherence to safety rules for the subject product.**

**MISUSE or failure to follow the safety rules stated in this instruction manual may cause serious personal injury.**

# FUNCTIONAL DESCRIPTION

## CAUTION:

- Always be sure that the tool is switched off and unplugged before adjusting or checking function on the tool.

## Switch action (Fig. 1)

### CAUTION:

- Before plugging in the tool, always check to see that the switch trigger actuates properly and returns to the "OFF" position when released.
- To start the tool, simply pull the switch trigger. Release the switch trigger to stop.
- For continuous operation, pull the switch trigger and then slide down the lock button.
- To stop the tool from the locked position, pull the switch trigger fully, then release it.

# ASSEMBLY

## CAUTION:

- Always be sure that the tool is switched off and unplugged before carrying out any work on the tool.

## Installing or removing the bit (Fig. 2)

With the notched portion on the shank of the bit facing toward the tool retainer, insert the bit into the tool holder as far as it will go. Then pull out and turn the tool retainer 180° to secure the bit. After installing, always make sure that the bit is securely held in place by trying to pull it out.

## Side handle (auxiliary handle) (Fig. 3)

The side handle swings around to either side, allowing easy handling of the tool in any position.

# OPERATION

## Chipping/Scaling/Demolition (Fig. 4)

Hold the tool firmly with both hands. Turn the tool on and apply slight pressure on the tool so that the tool will not bounce around, uncontrolled. Pressing very hard on the tool will not increase the efficiency.

# MAINTENANCE

## CAUTION:

- Always be sure that the tool is switched off and unplugged before attempting to perform inspection or maintenance.
- Never use gasoline, benzine, thinner, alcohol or the like. Discoloration, deformation or cracks may result.

## NOTE:

- Oil may leak if you store the tool with its head pointing downward for a long period of time. When you store it, lay it on its side.

## Replacing carbon brushes

When the resin insulating tip inside the carbon brush is exposed to contact the commutator, it will automatically shut off the motor. When this occurs, both carbon brushes should be replaced. Keep the carbon brushes clean and

free to slip in the holders. Both carbon brushes should be replaced at the same time. Use only identical carbon brushes. (Fig. 5)  
Use a hex-wrench to remove the holder cap plates. (Fig. 6)

Use a screwdriver to remove the brush holder caps. Take out the worn carbon brushes, insert the new ones and secure the brush holder caps. (Fig. 7)  
Reinstall the holder cap plates firmly.

## Oiling (Fig. 8 & Fig. 9)

To replenish, remove the oil gauge with the wrench 23. Use only Makita genuine oil. The use of any other oil may harm the tool.

To maintain product SAFETY and RELIABILITY, repairs, any other maintenance or adjustment should be performed by Makita Authorized Service Centers, always using Makita replacement parts.

# OPTIONAL ACCESSORIES

## CAUTION:

- These accessories or attachments are recommended for use with your Makita tool specified in this manual. The use of any other accessories or attachments might present a risk of injury to persons. Only use accessory or attachment for its stated purpose.

If you need any assistance for more details regarding these accessories, ask your local Makita Service Center.

- Bull point
- Cold chisel
- Scaling chisel
- Clay spade
- Rammer
- Oil supply
- Wrench 23
- Steel carrying case

## NOTE:

- Some items in the list may be included in the tool package as standard accessories. They may differ from country to country.

## 一般外观说明

- |          |          |          |
|----------|----------|----------|
| 1. 锁定按钮  | 7. 侧手柄   | 13. 螺丝刀  |
| 2. 开关扳机  | 8. 换向器   | 14. 碳刷夹盖 |
| 3. 尖凿    | 9. 绝缘接头  | 15. 扳手   |
| 4. 凹槽部分  | 10. 碳刷   | 16. 油量计  |
| 5. 工具锁紧栓 | 11. 六角扳手 | 17. 供油罐  |
| 6. 工具座   | 12. 夹盖板  |          |

## 规格

型号	HM1306
每分钟锤击数	1,450 /min
总长度	652 mm
净重	15.1 kg

- 由于研发计划将持续进行，生产者保留变更规格不另行通知之权利。
- 规格可能因销往国家之不同而异。
- 重量符合 EPTA-Procedure 01/2003

END224-3

## 符号

以下显示本设备使用的符号。在使用工具之前请务必理解其含义。



...阅读使用说明书。

ENE046-1

## 用途

本工具可用于强力凿刻和拆除作业，并可与合适的附件结合使用，进行掘进和夯实作业。

ENF001-1

## 电源

本工具只可连接电压与铭牌所示电压相同的电源，且仅可使用单相交流电源。本工具在使用期间应接地，以保护操作者免受电击。只能使用带有三芯接地插头的三芯延长线，以及适合本工具插头的三孔插座。

GEA005-3

## 电动工具一般安全警告

**△警告！请通读所有的安全警告和所有的说明事项。**若不遵循警告和说明事项，可能导致触电、起火和/或严重的人身伤害。

## 请保留所有的警告和说明事项，以备日后参考。

警告中所说的“电动工具”指用电源（接线式）或电池（充电式）驱动的电动工具。

### 工作区域安全事项

1. 保持工作区域清洁，照明情况良好。混乱或黑暗的工作区域容易导致意外情况发生。
2. 请勿在易爆环境，如有可燃性液体、气体或粉尘的环境下操作电动工具。电动工具产生的火花可能会引燃粉尘或气体。
3. 操作电动工具时请远离儿童和旁观者。操作时分心会使您无法正常控制工具。

### 电气安全事项

4. 电动工具的插头必须与插座相匹配。切勿以任何方式对插头进行改装。请勿将任何适配器插头用于接地的电动工具。未经改装的插头和相匹配的插座可降低触电风险。
5. 请避免与接地的表面如管子、散热器、炉灶以及冰箱等进行身体接触。如果您的身体接地，将会增加触电的风险。
6. 请勿将电动工具暴露在雨水或潮湿的环境中。电动工具进水将增加触电的风险。
7. 请勿滥用导线。切勿用导线拖拽工具或拔下电动工具的插头。避免使导线受热、沾染油脂，碰到尖锐的边缘或运动部件。破损或缠绕的导线会增加触电的风险。

8. 在室外操作电动工具时，请用户外专用的延长线。使用户外专用的导线可降低触电风险。
9. 如果必要要在潮湿的场所操作电动工具时，请使用带剩余电流装置（RCD）保护功能的电源。使用 RCD 可降低触电风险。
10. 始终建议通过额定剩余电流为 30mA 或以下的 RCD 来使用电源。

#### 人身安全注意事项

11. 操作电动工具时请保持警惕，注意您的操作，并运用常识。请勿在疲惫或麻醉品、酒精或其他药物作用下操作电动工具。在操作电动工具期间分心可能会导致严重的人身伤害。
12. 请使用个人劳防用品。请务必佩戴安全眼镜。正确使用防尘面罩、防滑安全鞋、硬质帽子或耳罩等劳防用品可减少人身伤害的危险。
13. 防止意外启动。在连接至电源和 / 或电池组，拿起或搬运工具之前，请确保开关处于关闭位置。搬运工具时手指放在开关上或者在开关打开的情况下给工具通电会导致意外情况发生。
14. 在启动工具之前请取下所有的调节钥匙或扳手。如果工具的旋转部件上留有扳手或调节钥匙，可能会导致人身伤害。
15. 操作时手不要伸得太长。操作时请双脚站稳，始终保持平衡。这样可在意外情况下较好地控制工具。
16. 着装适当。不要穿宽松衣服或佩戴饰品。勿使您的头发、衣服和手套靠近运动部件。宽松衣服、佩饰或长发可能会卷入运动部件中。
17. 如果提供了与除尘和集尘设备连接用的装置，请确保将其正确连接和使用。使用集尘设备可减少与粉尘有关的危害。

#### 电动工具的使用和保养

18. 不要强力按压电动工具。根据用途使用正确的电动工具。使用工具时不可超出其设计额定值，这样才能更好、更安全地完成作业。
19. 如果工具的开关无法使工具开启和关闭，则请勿使用该工具。无法通过开关控制的电动工具非常危险，必须进行维修。
20. 在进行任何调节、更换附件或存放电动工具之前，请将插头从电源上拔下，并且 / 或将电池组从工具上取下。这种防护性的安全措施可降低电动工具意外启动的风险。

21. 将闲置的电动工具存放于儿童无法触及之处，并且不得让任何不熟悉工具或这些说明事项的人员操作工具。电动工具在未经训练的用户手中是危险的。
22. 保养电动工具。检查运动部件是否调整到位或卡住，检查零件破损情况和影响电动工具运行的其他状况。如有损坏，应在使用前修理好电动工具。许多事故是由维护不良的电动工具引发的。
23. 保持切割工具的锋利和清洁。保养良好，具有锋利切边的切割工具不易粘连，并且易于控制。
24. 按照这些说明事项，根据作业条件和作业特点来使用电动工具、附件和钻头等。将电动工具用于除了这些设计用途以外的操作时将导致意外情况发生。

#### 维修服务

25. 请将您的电动工具交由有资格的专业维修人员处理，仅可使用与原部件相同的更换部件。这样可确保工具的安全性。
26. 根据说明进行润滑和更换附件。
27. 保持手柄干燥、清洁，无油污和润滑脂。

GEB079-1

## 电镐使用安全警告

1. 佩戴耳罩。噪音会损伤听力。
2. 如果本工具附有辅助手柄，请使用辅助手柄。失控会造成人身伤害。
3. 请佩戴硬质帽子（安全头盔）、安全眼镜和 / 或面罩。普通眼镜或太阳眼镜并非安全眼镜。强烈建议您佩戴防尘面罩和厚手套。
4. 请在操作前确保钻头到位。
5. 该工具在正常操作下是用来产生振动的。螺丝容易松动，因此容易造成故障或事故。操作前请仔细检查螺丝的紧固度。
6. 在寒冷天气或该工具长时间未使用时，请在无负载下运行该工具以让其预热一会。这会提升其润滑度。若没有适当预热，钻孔操作会很困难。
7. 请务必确保立足稳固。  
在高处使用工具时确保下方无人。
8. 需用双手握紧工具。
9. 手应远离运动部件。
10. 运行中的工具不可离手放置。只可在手握工具的情况下操作工具。
11. 操作时请勿将工具对准近旁任何人。钻头会飞出从而会严重伤及他人。
12. 操作之后，请勿立刻触摸钻头或靠近钻头的工件，因为它们可能会非常烫而导致烫伤皮肤。



- 13.如非必要，请勿在空载状态下操作工具。  
14.某些材料含有有毒化学物质。小心不要吸入粉尘，并避免皮肤接触。遵循材料供应商的安全提示。

## 请保留此说明书。

### △警告：

请勿为图方便或因对产品足够熟悉（由于重复使用而获得的经验）而不严格遵循相关产品安全规则。

使用不当或不遵循使用说明书中的安全规则会导致严重的人身伤害。

## 功能描述

### △小心：

- 在调节或检查工具功能之前，请务必关闭工具电源开关并拔下电源插头。

## 开关操作（图片 1）

### △小心：

- 插上工具电源插头之前，请务必确认开关扳机能够正常工作，松开时能回到“OFF”（关闭）位置。

启动工具时，只要扣动开关扳机即可。松开开关扳机，工具即停止。

连续操作时，扣动开关扳机并向下滑动锁定按钮。

要从锁定位置停止工具时，可将开关扳机扣到底，然后松开。

## 装配

### △小心：

- 对工具进行任何操作前，请务必确认工具已关闭且已拔下电源插头。

## 钻头的安装或拆卸（图片 2）

钻头柄的凹槽部分朝向工具锁紧栓，将钻头尽可能深入的插入工具座。然后拉出并 180° 转动工具锁紧栓以紧固钻头。安装钻头后，请尝试将其拔出以确保钻头牢固。

## 侧手柄（辅助手柄）（图片 3）

侧手柄可以旋转到任意一侧，在任何位置都能方便地操作工具。

## 操作

### 凿 / 剥 / 拆（图片 4）

需用双手握紧工具。打开工具，轻轻施加压力，这样工具就不会不受控制地弹跳。使劲按压工具不会增加效果。

## 保养

### △小心：

- 检查或保养工具之前，请务必关闭工具电源开关并拔下插头。
- 切勿使用汽油、苯、稀释剂、酒精或类似物品清洁工具。否则可能会导致工具变色、变形或出现裂缝。

### 注：

- 若将工具头部朝下长时间存放，可能会导致漏油。存放工具时，请将其沿一侧平放。

## 更换碳刷

当碳刷内部的树脂绝缘接头暴露并与换向器接触时会自动关闭电机。发生这种情况时，两个碳刷都应更换。请保持碳刷清洁并使其在碳刷夹内能自由滑动。两个碳刷应同时更换。请仅使用相同的碳刷。（图片 5）

使用六角扳手拆下夹盖板。（图片 6）

使用螺丝刀拆下碳刷夹盖。取出已磨损的碳刷，插入新的碳刷，然后紧固碳刷夹盖。

（图片 7）

将夹盖板重新安装牢固。

## 注油（图片 8 及图片 9）

补充机油时，请使用 23 号扳手拆下油量计。只能使用 Makita（牧田）机油。使用任何其他机油均有可能损坏工具。

为了保证产品的安全性与可靠性，维修、任何其他维修保养或调节需由 Makita（牧田）授权的维修服务中心完成。务必使用 Makita（牧田）的替换部件。

## 选购附件

### ⚠小心:

- 这些附件或装置专用于本说明书所列的 **Makita** (牧田) 工具。若使用其他附件或装置, 可能存在人身伤害风险。仅可将附件或装置用于规定目的。

如您需要了解更多关于这些选购附件的信息, 请咨询当地的 **Makita** (牧田) 维修服务中心。

- 尖凿
- 冷凿
- 铲锈凿
- 泥铲
- 撞锤
- 供油罐
- **23** 号扳手
- 钢制携带箱

### 注:

- 本列表中的一些部件可能作为标准配件包含于工具包装内。它们可能因销往国家之不同而异。

**Penjelasan tampilan keseluruhan**

- |                    |                          |                        |
|--------------------|--------------------------|------------------------|
| 1. Tombol kunci    | 7. Pegangan sisi         | 13. Obeng              |
| 2. Picu saklar     | 8. Komutator             | 14. Tutup tempat sikat |
| 3. Pahat beton     | 9. Ujung isolasi         | 15. Kunci pas          |
| 4. Bagian bertakik | 10. Sikat karbon         | 16. Pengukur oli       |
| 5. Penahan alat    | 11. Kunci L              | 17. Pasokan oli        |
| 6. Pemegang alat   | 12. Pelat tutup pemegang |                        |

**SPESIFIKASI**

Model	HM1306
Hembusan per menit	1.450 min <sup>-1</sup>
Panjang keseluruhan	652 mm
Berat bersih	15,1 kg

- Karena kesinambungan program penelitian dan pengembangan kami, spesifikasi yang disebutkan di sini dapat berubah tanpa pemberitahuan.
- Spesifikasi dapat berbeda dari satu negara ke negara lainnya.
- Berat menurut Prosedur EPTA 01/2003

END224-3

**Simbol**

Berikut ini adalah simbol-simbol yang digunakan pada peralatan ini.

Pastikan Anda mengerti makna masing-masing simbol sebelum menggunakan alat.



.... Baca petunjuk penggunaan.

ENE046-1

**Penggunaan**

Mesin ini digunakan untuk pekerjaan berat memahat dan membobok serta untuk memasang dan memadatkan dengan aksesoris yang sesuai.

ENF001-1

**Pasokan daya**

Mesin harus terhubung dengan pasokan daya listrik yang bervoltase sama dengan yang tertera pada pelat nama, dan hanya dapat dijalankan dengan listrik AC fase tunggal. Mesin ini harus terarde (dibumikan) ketika digunakan untuk melindungi operator dari sengatan listrik. Gunakan hanya kabel ekstensi tiga-kawat yang mempunyai steker tipe pengardean tiga-kaki dan stop kontak tiga-kutub yang bisa dimasuki steker mesin.

GEA005-3

**Peringatan Keselamatan Umum Mesin Listrik**

**⚠ PERINGATAN! Bacalah semua peringatan keselamatan dan semua petunjuk.** Kelalaian mematuhi peringatan dan petunjuk dapat menyebabkan sengatan listrik, kebakaran dan/atau cedera serius.

**Simpanlah semua peringatan dan petunjuk untuk acuan di masa depan.**

Istilah “mesin listrik” dalam semua peringatan mengacu pada mesin listrik yang dijalankan dengan sumber listrik jala-jala (berkabel) atau baterai (tanpa kabel).

**Keselamatan tempat kerja**

1. **Jaga tempat kerja selalu bersih dan berpenerangan cukup.** Tempat kerja yang berantakan dan gelap mengundang kecelakaan.
2. **Jangan gunakan mesin listrik dalam lingkungan yang mudah meledak, misalnya jika ada cairan, gas, atau debu yang mudah menyala.** Mesin listrik menimbulkan bunga api yang dapat menyalakan debu atau uap tersebut.
3. **Jauhkan anak-anak dan orang lain saat menggunakan mesin listrik.** Bila perhatian terpecah, anda dapat kehilangan kendali.

**Keamanan kelistrikan**

4. **Steker mesin listrik harus cocok dengan stopkontak. Jangan sekali-kali mengubah steker dengan cara apa pun. Jangan menggunakan steker adaptor dengan mesin listrik berarde (dibumikan).** Steker yang tidak diubah dan stopkontak yang cocok akan mengurangi risiko sengatan listrik.
5. **Hindari sentuhan tubuh dengan permukaan berarde atau yang dibumikan seperti pipa, radiator, kompor, dan kulkas.** Risiko sengatan listrik bertambah jika tubuh Anda terbumikan atau terarde.
6. **Jangan membiarkan mesin listrik kehujanan atau kebasahan.** Air yang masuk ke dalam mesin listrik akan meningkatkan risiko sengatan listrik.

7. **Jangan menyalahgunakan kabel. Jangan sekali-kali menggunakan kabel untuk membawa, menarik, atau mencabut mesin listrik dari stopkontak. Jauhkan kabel dari panas, minyak, tepian tajam, atau bagian yang bergerak.** Kabel yang rusak atau kusut memperbesar risiko sengatan listrik.
8. **Bila menggunakan mesin listrik di luar ruangan, gunakan kabel ekstensi yang sesuai untuk penggunaan di luar ruangan.** Penggunaan kabel yang sesuai untuk penggunaan luar ruangan mengurangi risiko sengatan listrik.
9. **Jika mengoperasikan mesin listrik di lokasi lembap tidak terhindarkan, gunakan pasokan daya yang dilindungi peranti imbasan arus (residual current device - RCD).** Penggunaan RCD mengurangi risiko sengatan listrik.
10. **Penggunaan pasokan daya melalui RCD dengan kapasitas arus sisa 30 mA atau kurang selalu dianjurkan.**

#### Keselamatan diri

11. **Jaga kewaspadaan, perhatikan pekerjaan Anda dan gunakan akal sehat bila menggunakan mesin listrik. Jangan menggunakan mesin listrik saat Anda lelah atau di bawah pengaruh obat bius, alkohol, atau obat.** Sekejap saja lalai saat menggunakan mesin listrik dapat menyebabkan cedera diri yang serius.
12. **Gunakan alat pelindung diri. Selalu gunakan pelindung mata.** Peralatan pelindung seperti masker debu, sepatu pengaman anti-selip, helm pengaman, atau pelindung telinga yang digunakan untuk kondisi yang sesuai akan mengurangi risiko cedera diri.
13. **Cegah penyalan yang tidak disengaja. Pastikan bahwa sakelar berada dalam posisi mati (off) sebelum menghubungkan mesin ke sumber daya dan/atau baterai, atau mengangkat atau membawanya.** Membawa mesin listrik dengan jari Anda pada sakelarnya atau mengalirkan listrik pada mesin listrik yang sakelarnya hidup (on) akan mengundang kecelakaan.
14. **Lepaskan kunci-kunci penyetel sebelum menghidupkan mesin listrik.** Kunci-kunci yang masih terpasang pada bagian mesin listrik yang berputar dapat menyebabkan cedera.
15. **Jangan meraih terlalu jauh. Jagalah pijakan dan keseimbangan sepanjang waktu.** Hal ini memungkinkan kendali yang lebih baik atas mesin listrik dalam situasi yang tidak diharapkan.
16. **Kenakan pakaian dengan baik. Jangan memakai pakaian yang kedodoran atau perhiasan. Jaga jarak antara rambut, pakaian, dan sarung tangan Anda dengan bagian mesin yang bergerak.** Pakaian kedodoran, perhiasan, atau rambut panjang dapat tersangkut pada bagian yang bergerak.
17. **Jika tersedia fasilitas untuk menghisap dan mengumpulkan debu, pastikan fasilitas tersebut terhubung listrik dan digunakan dengan baik.** Penggunaan pembersih debu dapat mengurangi bahaya yang terkait dengan debu.

#### Penggunaan dan pemeliharaan mesin listrik

18. **Jangan memaksa mesin listrik. Gunakan mesin listrik yang tepat untuk keperluan Anda.** Mesin

listrik yang tepat akan menuntaskan pekerjaan dengan lebih baik dan aman pada kecepatan sesuai rancangannya.

19. **Jangan gunakan mesin listrik jika sakelar tidak dapat menyalakan dan mematikannya.** Mesin listrik yang tidak dapat dikendalikan dengan sakelarnya adalah berbahaya dan harus diperbaiki.
20. **Cabut steker dari sumber listrik dan/atau baterai dari mesin listrik sebelum melakukan penyetelan, penggantian aksesori, atau menyimpan mesin listrik.** Langkah keselamatan preventif tersebut mengurangi risiko hidupnya mesin secara tak sengaja.
21. **Simpan mesin listrik jauh dari jangkauan anak-anak dan jangan biarkan orang yang tidak paham mengenai mesin listrik tersebut atau petunjuk ini menggunakan mesin listrik.** Mesin listrik sangat berbahaya di tangan pengguna yang tak terlatih.
22. **Rawatlah mesin listrik. Periksa apakah ada bagian bergerak yang tidak lurus atau macet, bagian yang pecah dan kondisi lain yang dapat mempengaruhi penggunaan mesin listrik. Jika rusak, perbaiki dahulu mesin listrik sebelum digunakan.** Banyak kecelakaan disebabkan oleh kurangnya pemeliharaan mesin listrik.
23. **Jaga agar mesin pemotong tetap tajam dan bersih.** Mesin pemotong yang terawat baik dengan mata pemotong yang tajam tidak mudah macet dan lebih mudah dikendalikan.
24. **Gunakan mesin listrik, aksesori, dan mata mesin, dll. sesuai dengan petunjuk ini, dengan memperhitungkan kondisi kerja dan jenis pekerjaan yang dilakukan.** Penggunaan mesin listrik untuk penggunaan yang lain dari peruntukan dapat menimbulkan situasi berbahaya.

#### Servis

25. **Berikan mesin listrik untuk diperbaiki hanya kepada oleh teknisi yang berkualifikasi dengan menggunakan hanya suku cadang pengganti yang serupa.** Hal ini akan menjamin terjaganya keamanan mesin listrik.
26. **Patuhi petunjuk pelumas dan penggantian aksesori.**
27. **Jagalah agar gagang kering, bersih, dan bebas dari minyak dan gemuk.**

GEB079-1

## PERINGATAN KESELAMATAN MESIN BOBOK

1. **Kenakan pelindung telinga.** Terpaan kebisingan dapat menyebabkan hilangnya pendengaran.
2. **Gunakan gagang tambahan, jika disertakan bersama mesin ini.** Kehilangan kendali dapat menyebabkan cedera.
3. **Kenakan helm pengaman, kaca mata pengaman dan/atau pelindung muka.** Kaca mata biasa atau kaca mata hitam BUKANLAH kaca mata pengaman. Anda sangat dianjurkan untuk mengenakan masker debu dan sarung tangan tebal.
4. **Pastikan mata mesin terpasang pada tempatnya sebelum penggunaan.**

5. Pada penggunaan normal, mesin dirancang untuk menghasilkan getaran. Sekrup bisa menjadi longgar dengan mudah, menyebabkan kerusakan atau kecelakaan. Periksa kekencangan sekrup sebelum penggunaan.
6. Pada cuaca dingin atau ketika mesin telah lama tidak digunakan, lakukan pemanasan pada mesin beberapa saat dengan mengoperasikannya tanpa beban. Hal ini akan memperlancar pelumasan. Tanpa pemanasan yang tepat, pengerjaan pembobokan menjadi sulit.
7. Selalu pastikan Anda berada di atas alas yang kuat.  
Pastikan tidak ada orang di bawahnya bila Anda menggunakan mesin di tempat yang tinggi.
8. Pegang mesin kuat-kuat dengan kedua tangan.
9. Jauhkan tangan dari bagian yang berputar.
10. Jangan tinggalkan mesin dalam keadaan hidup. Jalankan mesin hanya ketika digenggam tangan.
11. Jangan mengarahkan mesin pada siapapun di tempat kerja ketika mengoperasikan. Mata mesin bisa terlempar dan melukai orang dengan serius.
12. Jangan menyentuh mata mesin atau benda kerja segera setelah pengoperasian; suhunya mungkin masih sangat panas dan dapat membakar kulit Anda.
13. Jangan mengoperasikan mesin tanpa beban dengan tanpa keperluan.
14. Bahan tertentu mengandung zat kimia yang mungkin beracun. Hindari menghirup debu dan persentuhan dengan kulit. Ikuti data keselamatan bahan dari pemasok.

## SIMPAN PETUNJUK INI.

**⚠ PERINGATAN:**  
JANGAN biarkan kenyamanan atau terbiasanya Anda dengan produk (karena penggunaan berulang) menggantikan kepatuhan yang ketat terhadap aturan keselamatan untuk produk yang terkait.  
**PENYALAHGUNAAN** atau kelalaian mematuhi kaidah keselamatan yang tertera dalam petunjuk ini dapat menyebabkan cedera badan serius.

## DESKRIPSI FUNGSI

**⚠ PERHATIAN:**

- Pastikan bahwa mesin dalam keadaan mati dan steker tercabut sebelum menyetel atau memeriksa kerja mesin.

### Kerja saklar (Gb. 1)

**⚠ PERHATIAN:**

- Sebelum memasukkan steker, pastikan saklar berfungsi dengan baik dan kembali ke posisi "OFF" saat dilepas.

Untuk menjalankan mesin, cukup tarik picu saklarnya. Lepaskan picu saklar untuk berhenti. Untuk penggunaan terus-menerus, tarik picu saklar dan kemudian tekan tombol kunci. Untuk membebaskan posisi terkunci, tarik picu saklar sampai penuh, lalu lepaskan.

## PERAKITAN

**⚠ PERHATIAN:**

- Pastikan bahwa mesin dalam keadaan mati dan steker tercabut sebelum melakukan pekerjaan apapun pada mesin.

### Memasang atau melepas mata mesin (Gb. 2)

Dengan bagian bertakik pada tirus mata mesin menghadap ke penahan alat, masukkan mata mesin ke dalam pemegang alat sejauh mungkin. Kemudian tarik dan putar penahan alat 180° untuk mengencangkan mata mesin. Setelah memasang, selalu pastikan bahwa mata mesin benar-benar terpasang pada tempatnya dengan mencoba menariknya keluar.

### Pegangan sisi (pegangan tambahan) (Gb. 3)

Gagang sisi berputar ke sisi lain, memudahkan dalam memegang mesin pada posisi apapun.

## PENGUNAAN

### Menyerpih/Menumbuk/Membobok (Gb. 4)

Pegang mesin kuat-kuat dengan kedua tangan. Nyalakan mesin dan beri sedikit tekanan pada mesin sehingga mesin tidak akan memantul, tidak terkendali. Terlalu menekan mesin tidak akan meningkatkan efisiensinya.

## PERAWATAN

**⚠ PERHATIAN:**

- Selalu pastikan bahwa mesin dimatikan dan steker dicabut sebelum melakukan pemeriksaan atau perawatan.
- Jangan sekali-kali menggunakan bensin, tiner, alkohol, atau bahan sejenisnya. Penggunaan bahan demikian dapat menyebabkan perubahan warna, perubahan bentuk atau timbulnya retakan.

**CATATAN:**

- Oli bisa bocor jika Anda menyimpan mesin dengan posisi kepalanya mengarah ke bawah dalam jangka waktu yang lama. Bila Anda akan menyimpannya, rebahkan di salah satu sisinya.

### Mengganti sikat karbon

Jika ujung isolasi resin di dalam sikat karbon dibiarkan mengenai komutator, akan mematikan motor secara otomatis. Jika hal ini terjadi, kedua sikat karbon harus diganti. Jaga agar sikat sikat karbon tetap bersih dan tidak bergeser dari tempatnya. Kedua sikat karbon harus diganti pada waktu yang sama. Hanya gunakan sikat karbon yang sama. **(Gb. 5)**

Gunakan kunci L untuk melepas pelat tutup pemegang. **(Gb. 6)**

Gunakan obeng untuk melepas tutup tempat sikat. Tarik keluar sikat karbon yang aus, masukkan yang baru dan pasang tutup tempat sikat. **(Gb. 7)**

Pasang kembali pelat tutup pemegang kuat-kuat.

## Mengisi Oli (Gb. 8 & Gb. 9)

Untuk pengisian, lepas pengukur oli dengan kunci pas 23. Gunakan hanya oli asli buatan Makita. Penggunaan oli lain dapat merusak mesin.

Untuk menjaga KEAMANAN dan KEANDALAN mesin, perbaikan, perawatan atau penyetelan lain harus dilakukan oleh Pusat Layanan Resmi Makita; selalu gunakan suku cadang pengganti buatan Makita.

## PILIHAN AKSESORI

### PERHATIAN:

- Dianjurkan untuk menggunakan aksesoris atau perangkat tambahan ini dengan mesin Makita Anda yang ditentukan dalam petunjuk ini. Penggunaan aksesoris atau perangkat tambahan lain bisa menyebabkan risiko cedera pada manusia. Hanya gunakan aksesoris atau perangkat tambahan sesuai dengan peruntukannya.

Jika Anda memerlukan bantuan lebih rinci berkenaan dengan aksesoris ini, tanyakan pada Pusat Layanan Makita terdekat.

- Pahat beton
- Pahat besi
- Pahat tumbuk
- Sekop lempung
- Penumbuk
- Pasokan oli
- Kunci pas 23
- Tas jinjing baja

### CATATAN:

- Beberapa item dalam daftar tersebut mungkin sudah termasuk dalam paket mesin sebagai aksesoris standar. Hal tersebut dapat berbeda dari satu negara ke negara lainnya.

**Penerangan tentang pandangan umum**

- |                      |                           |                            |
|----------------------|---------------------------|----------------------------|
| 1. Butang kunci      | 7. Pemegang sisi          | 13. Pemutar skru           |
| 2. Pemacu suis       | 8. Penukar tertib         | 14. Penutup pemegang berus |
| 3. Mata bull         | 9. Hujung penebat         | 15. Perengkuh              |
| 4. Bahagian bertakuk | 10. Berus karbon          | 16. Tolok minyak           |
| 5. Penahan alat      | 11. Kunci allen           | 17. Sumber minyak          |
| 6. Pemegang alat     | 12. Plat penutup pemegang |                            |

**SPESIFIKASI**

Model	HM1306
Pukulan seminit	1,450 min <sup>-1</sup>
Panjang keseluruhan	652 mm
Berat bersih	15.1 kg

- Disebabkan program penyelidikan dan pembangunan kami yang berterusan, spesifikasi yang terkandung di dalam ini adalah tertakluk kepada perubahan tanpa notis.
- Spesifikasi mungkin berbeza mengikut negara.
- Berat mengikut Prosedur EPTA 01/2003

END224-3

**Simbol**

Berikut menunjukkan simbol-simbol yang digunakan untuk alat ini. Pastikan anda memahami maksudnya sebelum menggunakan.



.... Baca manual arahan.

ENE046-1

**Tujuan penggunaan**

Alat digunakan untuk tujuan kerja memahat dan merobohkan serta untuk memacu dan memadamkan dengan menggunakan aksesori yang betul.

ENF001-1

**Bekalan kuasa**

Alat ini perlu disambungkan hanya kepada bekalan kuasa dengan voltan yang sama seperti yang ditunjukkan pada papan nama, dan hanya boleh dikendalikan pada bekalan AC fasa tunggal. Alat ini haruslah dibumikan semasa penggunaan bagi melindungi pengendali daripada kejutan elektrik. Gunakan kord sambungan tiga wayar yang mempunyai palam jenis tiga serampang dan bekalan tiga kutub yang menerima palam alat.

GEA005-3

**Amaran Keselamatan Umum Alat Kuasa**

**⚠️ AMARAN! Baca semua amaran keselamatan dan semua arahan.** Kegagalan mematuhi amaran dan arahan boleh menyebabkan kejutan elektrik, kebakaran dan/atau kecederaan serius.

**Simpan semua amaran dan arahan untuk rujukan masa depan.**

Istilah "alat kuasa" dalam amaran merujuk kepada alat kuasa yang menggunakan tenaga elektrik (dengan kord) atau alat kuasa yang menggunakan bateri (tanpa kord).

**Keselamatan kawasan kerja**

1. **Pastikan kawasan kerja bersih dan diterangi dengan baik.** Kawasan berselerak atau gelap mengundang kemalangan.
2. **Jangan kendalikan alat kuasa dalam keadaan yang mudah meletup, seperti dalam kehadiran cecair, gas atau habuk yang mudah terbakar.** Alat kuasa menghasilkan percikan api yang boleh menyalaikan debu atau wasap.
3. **Jauhkan kanak-kanak dan orang ramai semasa mengendalikan alat kuasa.** Gangguan boleh menyebabkan anda hilang kawalan.

**Keselamatan elektrik**

4. **Palam alat kuasa mesti sepadan dengan soket. Jangan ubah suai palam dalam apa cara sekalipun. Jangan gunakan sebarang palam penyesuai dengan alat kuasa terbumi.** Palam yang tidak diubah suai dan soket yang sepadan akan mengurangkan risiko kejutan elektrik.
5. **Elakkan sentuhan badan dengan permukaan terbumi, seperti paip, radiator, dapur dan peti sejuk.** Terdapat peningkatan risiko kejutan elektrik jika elektrik terbumi terkena badan anda.
6. **Jangan biarkan alat kuasa terkena hujan atau basah.** Air yang memasuki alat kuasa akan meningkatkan risiko kejutan elektrik.

7. **Jangan salah gunakan kord. Jangan gunakan kord untuk membawa, menarik atau mencabut palam alat kuasa. Jauhkan kord dari haba, minyak, bucu tajam atau bahagian yang bergerak.** Kord yang rosak atau tersimpul meningkatkan risiko kejutan elektrik.
8. **Semasa mengendalikan alat kuasa di luar, gunakan kord sambungan yang bersesuaian untuk kegunaan luar.** Penggunaan kord yang sesuai untuk kegunaan luar mengurangkan risiko kejutan elektrik.
9. **Sekiranya pengendalian alat kuasa di lokasi lembap tidak dapat dielakkan, gunakan bekalan peranti arus sisa (RCD) yang diilindungi.** Penggunaan RCD mengurangkan risiko kejutan elektrik.
10. **Penggunaan bekalan kuasa melalui RCD dengan arus sisa yang bernilai 30mA atau kurang sentiasa disyorkan.**

#### **Keselamatan diri**

11. **Sentiasa berwaspada, perhatikan apa yang anda lakukan dan guna akal budi semasa mengendalikan alat kuasa. Jangan gunakan alat kuasa semasa anda letih atau di bawah pengaruh dadah, alkohol atau ubat.** Kelekaan seketika semasa mengendalikan alat kuasa boleh menyebabkan kecederaan diri yang serius.
12. **Gunakan peralatan pelindung diri. Sentiasa pakai pelindung mata.** Peralatan pelindung seperti topeng debu, kasut keselamatan tak mudah tergelincir, topi keselamatan atau pelindung pendengaran yang digunakan untuk keadaan yang sesuai akan mengurangkan kecederaan diri.
13. **Elakkan permulaan yang tidak disengajakan. Pastikan suis ditutup sebelum menyambung kepada sumber kuasa dan/atau pek bateri, semasa mengangkat atau membawa alat.** Membawa alat kuasa dengan jari anda pada suis atau menahan tangan alat kuasa dengan suis pada kedudukan hidup mengundang kemalangan.
14. **Alihkan sebarang kunci atau sepana pelaras sebelum menghidupkan alat kuasa.** Sepana atau kunci yang ditinggalkan pada bahagian berputar alat kuasa boleh menyebabkan kecederaan diri.
15. **Jangan lampau jangka. Jaga pijakan dan keseimbangan yang betul pada setiap masa.** Ini membolehkan kawalan alat kuasa yang lebih baik dalam situasi yang tidak dijangka.
16. **Berpakaian dengan betul. Jangan pakai pakaian yang longgar atau barang kemas. Jauhkan rambut, pakaian, dan sarung tangan anda dari bahagian yang bergerak.** Pakaian longgar, barang kemas atau rambut yang panjang boleh terperangkap dalam bahagian yang bergerak.
17. **Jika peranti disediakan untuk sambungan kemudahan pengekstrakan dan pengumpulan habuk, pastikan ia disambung dan digunakan dengan betul.** Penggunaan pengumpulan habuk boleh mengurangkan bahaya berkaitan habuk.

#### **Penggunaan dan penjagaan alat kuasa**

18. **Jangan gunakan alat kuasa dengan kasar. Gunakan alat kuasa yang betul untuk penggunaan anda.** Alat kuasa yang betul akan melakukan tugas dengan lebih baik dan lebih selamat pada kadar mana ia direka cipta.
19. **Jangan gunakan alat kuasa jika suis tidak berfungsi untuk menghidupkan dan mematikkannya.** Alat kuasa yang tidak dapat dikawal dengan suis adalah berbahaya dan mesti dibaiki.
20. **Cabut palam dari sumber kuasa dan/atau pek bateri dari alat kuasa sebelum membuat sebarang pelarasan, menukar aksesori, atau menyimpan alat kuasa.** Langkah-langkah keselamatan pencegahan sedemikian mengurangkan risiko memulakan alat kuasa secara tidak sengaja.
21. **Simpan alat kuasa yang tidak digunakan jauh dari jangkauan kanak-kanak dan jangan biarkan orang yang tidak biasa dengan alat kuasa atau arahan ini untuk mengendalikan alat kuasa.** Alat kuasa adalah berbahaya di tangan pengguna yang tidak terlatih.
22. **Menyelenggara alat kuasa. Periksa salah jajaran atau ikatan pada bahagian yang bergerak, bahagian yang pecah dan apa-apa keadaan lain yang boleh menjejaskan operasi alat kuasa. Jika rosak, baiki alat kuasa sebelum digunakan.** Kebanyakan kemalangan adalah disebabkan oleh alat kuasa yang tidak dijaga dengan baik.
23. **Pastikan alat pemotong tajam dan bersih.** Alat pemotong yang dijaga dengan betul dengan hujung pemotong yang tajam mempunyai kemungkinan yang rendah untuk terikat dan lebih mudah dikendalikan.
24. **Gunakan alat kuasa, aksesori dan alat bit dan sebagainya mengikut arahan ini dengan mengambil kira keadaan kerja dan kerja yang perlu dilakukan.** Penggunaan alat kuasa untuk operasi yang berbeza dari yang dimaksudkan boleh menyebabkan keadaan berbahaya.

#### **Servis**

25. **Pastikan alat kuasa anda diservis oleh orang yang berkelayakan dengan hanya menggunakan alat ganti yang sama.** Ini akan memastikan keselamatan alat kuasa dapat dikekalkan.
26. **Ikut arahan untuk melincir dan menukar aksesori.**
27. **Pastikan pemegang sentiasa kering, bersih dan bebas dari minyak dan gris.**

GEB079-1

## **AMARAN KESELAMATAN TUKUL**

1. **Pakai pelindung telinga.** Pendedahan kepada bunyi bising boleh menyebabkan kehilangan pendengaran.
2. **Gunakan pemegang tambahan, jika dibekalkan dengan alat.** Hilang kawalan boleh menyebabkan kecederaan diri.
3. **Pakai topi keselamatan (topi keledar), cermin mata keselamatan dan/atau pelindung muka.** Cermin mata atau cermin mata gelap biasa BUKAN cermin mata keselamatan. Ia juga sangat disyorkan untuk anda memakai topeng habuk dan sarung tangan tebal.
4. **Pastikan bit dipasang dengan betul sebelum operasi.**



5. Di bawah operasi biasa, alat ini direka untuk menghasilkan getaran. Skru boleh menjadi longgar dengan mudah yang menyebabkan kerosakan atau kemalangan. Periksa keketatan skru dengan teliti sebelum operasi.
6. Dalam cuaca sejuk atau apabila alat tidak digunakan untuk jangka masa yang panjang, biarkan alat dipanaskan seketika dengan mengendalikannya tanpa sebarang beban. Ini akan mencairkan pelinciran. Tanpa pemanasan yang betul, operasi menukul adalah sukar.
7. Sentiasa pastikan anda mempunyai tapak berpijak yang kukuh.  
Pastikan tiada siapa di bawah apabila menggunakan alat di lokasi yang tinggi.
8. Pegang alat dengan kuat menggunakan kedua-dua tangan.
9. Jauhkan tangan dari bahagian bergerak.
10. Jangan tinggalkan alat yang sedang berjalan. Kendalikan alat hanya apabila dipegang.
11. Jangan halakan alat kepada sesiapa di kawasan sekitar semasa mengendalikan. Bit boleh terbang dan mencederakan seseorang dengan serius.
12. Jangan sentuh bit atau bahagian yang dekat dengan bit dengan serta-merta selepas operasi; ia mungkin panas dan boleh membakar kulit anda.
13. Jangan kendalikan alat tanpa beban tanpa keperluan.
14. Sesetengah bahan mengandungi bahan kimia yang mungkin toksik. Sila berhati-hati untuk mencegah penyedutan habuk dan sentuhan kulit. Ikut data keselamatan pembekal bahan.

## SIMPAN ARAHAN INI.

### ⚠️ AMARAN:

JANGAN biarkan keselesaan atau kebiasaan dengan produk (daripada penggunaan berulang) menggantikan pematuhan ketat terhadap peraturan keselamatan untuk produk yang ditetapkan. SALAH GUNA atau keagagalan mematuhi peraturan-peraturan keselamatan yang dinyatakan dalam manual arahan ini boleh menyebabkan kecederaan diri yang serius.

## KETERANGAN FUNGSI

### ⚠️ AWAS:

- Sentiasa pastikan alat dimatikan dan palamnya dicabut sebelum menyelaras atau menyemak fungsi pada alat.

### Tindakan suis (Raj. 1)

#### ⚠️ AWAS:

- Sebelum memasang alat, sentiasa periksa untuk melihat pemacu suis bergerak dengan betul dan kembali ke posisi "OFF" apabila dilepaskan.

Untuk memulakan alat, hanya tarik pemacu suis. Lepaskan pemacu suis untuk berhenti.

Untuk operasi berterusan, tarik pemacu suis dan kemudian tolok masuk butang kunci.

Untuk menghentikan alat dari kedudukan terkunci, tarik pemacu suis sepenuhnya, kemudian lepaskan.

## PEMASANGAN

### ⚠️ AWAS:

- Sentiasa pastikan alat dimatikan dan palamnya dicabut sebelum menjalankan apa-apa kerja pada alat.

### Memasang atau menanggalkan bit (Raj. 2)

Dengan bahagian bertakuk pada batang mata menghala ke arah penahan alat, masukkan mata ke pemegang alat setakat ia boleh dimasukkan. Kemudian tarik keluar dan pusingkan penahan alat 180° untuk mengukuhkan mata. Selepas memasang, sentiasa pastikan mata dipasang kemas dengan cuba menariknya keluar.

### Pemegang sisi (pemegang tambahan) (Raj. 3)

Genggaman sisi berayun ke salah satu sisi, membolehkan pengendalian yang mudah bagi alat pada sebarang kedudukan.

## OPERASI

### Menyerpih/Menskala/ Meroboh (Raj. 4)

Pegang alat dengan kuat menggunakan kedua-dua tangan. Hidupkan alat dan beri sedikit tekanan pada alat supaya alat tidak akan melantun dan tidak terkawal. Menekan alat dengan sangat kuat tidak akan menambah kecekapan.

## PENYELENGGARAAN

### ⚠️ AWAS:

- Sentiasa pastikan alat dimatikan dan palamnya dicabut sebelum cuba menjalankan pemeriksaan atau penyelenggaraan.
- Jangan gunakan gasolin, benzin, pencair, alkohol atau bahan yang serupa. Ia boleh menyebabkan perubahan warna, bentuk atau keretakan.

### NOTA:

- Minyak mungkin bocor jika anda menyimpan alat dengan kepalanya menghala ke bawah untuk jangka masa yang lama. Semasa anda menyimpannya, baringkan ia pada sisinya.

### Menggantikan berus karbon

Apabila hujung penebat resin di dalam berus karbon terdedah kepada sentuhan penukar tertib, ia akan memadamkan motor secara automatik. Apabila ini berlaku, kedua-dua berus karbon perlu diganti. Pastikan berus karbon sentiasa bersih dan mudah untuk diselitikan ke dalam pemegang. Kedua-dua berus karbon perlulah diganti pada masa yang sama. Gunakan hanya berus karbon yang serupa. (Raj. 5)

Gunakan perengkuh heksagon untuk menanggalkan plat penutup pemegang.

#### (Raj. 6)

Gunakan pemutar skru untuk mengeluarkan penutup pemegang berus. Keluarkan berus karbon yang telah haus, masukkan berus baharu dan kukuhkan penutup pemegang berus. (Raj. 7)

Pasang semula plat penutup pemegang dengan kukuh.

## **Meletakkan minyak (Raj. 8 & Raj. 9)**

Untuk menggantikan, keluarkan tolok minyak dengan perengkuh 23. Gunakan minyak Makita yang asli.

Penggunaan minyak lain boleh merosakkan alat tersebut.

Untuk mengekalkan KESELAMATAN dan

KEBOLEHPERCAYAAN produk, pembaikan, sebarang penyelenggaraan atau penyesuaian lain perlu dilakukan oleh Kilang atau Pusat Servis Makita yang Diiktiraf, sentiasa gunakan alat ganti Makita.

## **AKSESORI PILIHAN**

### **⚠️ AWAS:**

- Aksesori atau alat tambahan ini adalah disyorkan untuk digunakan dengan alat Makita anda yang dinyatakan dalam manual ini. Penggunaan mana-mana aksesori atau alat tambahan lain mungkin mengakibatkan risiko kecederaan kepada orang. Hanya gunakan aksesori atau alat tambahan untuk tujuan yang dinyatakannya.

Jika anda memerlukan sebarang bantuan untuk maklumat lebih lanjut mengenai aksesori ini, tanya Pusat Perkhidmatan Makita tempatan anda.

- Mata bull
- Pahat sejuk
- Pahat penskalaan
- Penceduk lempung
- Pelantak
- Sumber minyak
- Perengkuh 23
- Bekas pembawa keluli

### **NOTA:**

- Beberapa item dalam senarai mungkin disertakan dalam pakej alat sebagai aksesori standard. Item mungkin berbeza mengikut negara.

# TIẾNG VIỆT

## Giải thích về hình vẽ tổng thể

- |                           |                   |                         |
|---------------------------|-------------------|-------------------------|
| 1. Nút khóa               | 7. Tay nắm hồng   | 13. Tuốc-nơ-vít         |
| 2. Cần công tắc khởi động | 8. Vành góp điện  | 14. Nắp giữ chổi        |
| 3. Đầu đục                | 9. Đầu cách điện  | 15. Cờ-lê               |
| 4. Phần cắt khắc          | 10. Chổi các-bon  | 16. Đồng hồ đo dầu nhờn |
| 5. Chốt kẹp dụng cụ       | 11. Khóa lực giác | 17. Hộp tra dầu nhờn    |
| 6. Đầu cặp dụng cụ        | 12. Tấm nắp giữ   |                         |

## THÔNG SỐ KỸ THUẬT

Kiểu	HM1306
Số nhát mỗi phút	1.450 phút <sup>-1</sup>
Chiều dài tổng thể	652 mm
Khối lượng tịnh	15,1 kg

- Do chương trình nghiên cứu và phát triển liên tục của chúng tôi nên các thông số kỹ thuật trong đây có thể thay đổi mà không cần thông báo trước.
- Các thông số kỹ thuật có thể thay đổi tùy theo từng quốc gia.
- Khối lượng tùy theo Quy trình EPTA tháng 01/2003

### Ký hiệu

Phân dưới đây cho biết các ký hiệu được dùng cho thiết bị. Đảm bảo rằng bạn hiểu rõ ý nghĩa của các ký hiệu này trước khi sử dụng.



.... Đọc tài liệu hướng dẫn.

END224-3

### An toàn tại nơi làm việc

- Giữ nơi làm việc sạch sẽ và có đủ ánh sáng.** Nơi làm việc bừa bộn hoặc tối thường dễ gây ra tai nạn.
- Không vận hành dụng cụ máy trong môi trường cháy nổ, ví dụ như môi trường có sự hiện diện của các chất lỏng, khí hoặc bụi dễ cháy.** Các dụng cụ máy tạo tia lửa điện có thể làm bụi hoặc khí bốc cháy.
- Giữ trẻ em và người ngoài tránh xa nơi làm việc khi đang vận hành dụng cụ máy.** Sự xao lãng có thể khiến bạn mất khả năng kiểm soát.

### Mục đích sử dụng

Dụng cụ được dùng cho công tác khoan và đục phá cứng như dùng để đóng và đảm nén với các phụ kiện phù hợp.

ENE046-1

### An toàn về điện

- Phích cắm của dụng cụ máy phải khớp với ổ cắm. Không bao giờ được sửa đổi phích cắm theo bất kỳ cách nào. Không sử dụng bất kỳ phích chuyên đổi nào với các dụng cụ máy được nối đất (tiếp đất).** Các phích cắm còn nguyên vẹn và ổ cắm phù hợp sẽ giảm nguy cơ điện giật.
- Tránh để cơ thể tiếp xúc với các bề mặt nóng đất hoặc tiếp đất như đường ống, bộ tản nhiệt, bếp ga và tủ lạnh.** Nguy cơ bị điện giật sẽ tăng lên nếu cơ thể bạn được nối đất hoặc tiếp đất.
- Không để dụng cụ máy tiếp xúc với mưa hoặc trong điều kiện ẩm ướt.** Nước lọt vào dụng cụ máy sẽ làm tăng nguy cơ điện giật.
- Không lạm dụng dây. Không bao giờ sử dụng dây để mang, kéo hoặc tháo phích cắm dụng cụ máy. Giữ dây tránh xa nguồn nhiệt, dầu, các mép sắc hoặc các bộ phận chuyển động.** Dây bị hỏng hoặc bị rối sẽ làm tăng nguy cơ điện giật.
- Khi vận hành dụng cụ máy ngoài trời, hãy sử dụng dây kéo dài phù hợp cho việc sử dụng ngoài trời.** Việc dùng dây phù hợp cho việc sử dụng ngoài trời sẽ giảm nguy cơ điện giật.
- Nếu bắt buộc phải vận hành dụng cụ máy ở nơi ẩm ướt, hãy sử dụng nguồn cấp điện được bảo vệ bằng thiết bị ngắt dòng điện rò (RCD).** Việc sử dụng RCD sẽ giảm nguy cơ điện giật.

### Nguồn cấp điện

Dụng cụ này chỉ được nối với nguồn cấp điện có điện áp giống như đã chỉ ra trên biển tên và chỉ có thể được vận hành trên nguồn điện AC một pha. Dụng cụ này cần phải được nối đất trong lúc sử dụng để đảm bảo người vận hành không bị điện giật. Chỉ sử dụng các dây điện nối dài loại ba lõi với các phích cắm loại ba chấu có tiếp đất và các ổ cắm điện ba chấu dùng cho phích cắm của dụng cụ.

ENF001-1

GEA005-3

## Cảnh báo An toàn Chung dành cho Dụng cụ Máy

**⚠ CẢNH BÁO!** Đọc tất cả các cảnh báo an toàn và hướng dẫn. Việc không tuân theo các cảnh báo và hướng dẫn có thể dẫn đến điện giật, hỏa hoạn và/hoặc thương tích nghiêm trọng.

## Lưu giữ tất cả cảnh báo và hướng dẫn để tham khảo sau này.

Thuật ngữ “dụng cụ máy” trong các cảnh báo đề cập đến dụng cụ máy (có dây) được vận hành bằng nguồn điện chính hoặc dụng cụ máy (không dây) được vận hành bằng pin của bạn.

10. Chúng tôi luôn khuyên bạn sử dụng nguồn cấp điện qua thiết bị RCD có thể ngắt dòng điện dự định mức 30 mA hoặc thấp hơn.

#### An toàn cá nhân

11. Luôn tỉnh táo, quan sát những việc bạn đang làm và sử dụng những phần đoán theo kinh nghiệm khi vận hành dụng cụ máy. Không sử dụng dụng cụ máy khi bạn đang mệt mỏi hoặc chịu ảnh hưởng của ma túy, rượu hay thuốc. Chỉ một khoảng khắc không tập trung khi đang vận hành dụng cụ máy cũng có thể dẫn đến thương tích cá nhân nghiêm trọng.
12. Sử dụng thiết bị bảo hộ cá nhân. Luôn đeo thiết bị bảo vệ mắt. Các thiết bị bảo hộ như mặt nạ chống bụi, giày an toàn chống trượt, mũ bảo hộ hay thiết bị bảo vệ thính giác được sử dụng trong các điều kiện thích hợp sẽ giúp giảm thương tích cá nhân.
13. Tránh vô tình khởi động dụng cụ máy. Đảm bảo công tắc ở vị trí OFF (tắt) trước khi nối nguồn điện và/hoặc bộ pin, cắm hoặc mang dụng cụ máy. Việc mang dụng cụ máy khi đang đặt ngón tay ở vị trí công tắc hoặc cấp điện cho dụng cụ máy đang bật thường dễ gây ra tai nạn.
14. Tháo mọi khoá hoặc chia vận điều chỉnh trước khi bật dụng cụ máy. Việc chia vận hoặc khoá vẫn còn gắn vào bộ phận quay của dụng cụ máy có thể dẫn đến thương tích cá nhân.
15. Không với quá cao. Luôn giữ thăng bằng tốt và có chỗ để chân phù hợp. Điều này cho phép điều khiển dụng cụ máy tốt hơn trong những tình huống bất ngờ.
16. Ăn mặc phù hợp. Không mặc quần áo rộng hay đeo đồ trang sức. Giữ tóc, quần áo và găng tay tránh xa các bộ phận chuyển động. Quần áo rộng, đồ trang sức hay tóc dài có thể mắc vào các bộ phận chuyển động.
17. Nếu các thiết bị được cung cấp để kết nối các thiết bị thu gom và hút bụi, hãy đảm bảo chúng được kết nối và sử dụng hợp lý. Việc sử dụng thiết bị thu gom bụi có thể làm giảm những mối nguy hiểm liên quan đến bụi.

#### Sử dụng và bảo quản dụng cụ máy

18. Không dùng lực đối với dụng cụ máy. Sử dụng đúng dụng cụ máy cho công việc của bạn. Sử dụng đúng dụng cụ máy sẽ giúp thực hiện công việc tốt hơn và an toàn hơn theo giá trị định mức được thiết kế của dụng cụ máy đó.
19. Không sử dụng dụng cụ máy nếu công tắc không bật và tắt được dụng cụ máy đó. Mọi dụng cụ máy không thể điều khiển được bằng công tắc đều rất nguy hiểm và cần được sửa chữa.
20. Rút phích cắm ra khỏi nguồn điện và/hoặc ngắt kết nối bộ pin khỏi dụng cụ máy trước khi thực hiện bất kỳ công việc điều chỉnh, thay đổi phụ tùng hay cất giữ dụng cụ máy nào. Những biện pháp an toàn phòng ngừa này sẽ giảm nguy cơ vô tình khởi động vô tình dụng cụ máy.
21. Cất giữ các dụng cụ máy không sử dụng ngoài tầm với của trẻ em và không cho bất kỳ người nào không có hiểu biết về dụng cụ máy hoặc các hướng dẫn này vận hành dụng cụ máy. Dụng cụ máy sẽ rất nguy hiểm nếu được sử dụng bởi những người dùng chưa qua đào tạo.

22. Bảo quản dụng cụ máy. Kiểm tra tình trạng lệch trục hoặc bó kẹt của các bộ phận chuyển động, hiện tượng nứt vỡ của các bộ phận và mọi tình trạng khác mà có thể ảnh hưởng đến hoạt động của dụng cụ máy. Nếu có hỏng hóc, hãy sửa chữa dụng cụ máy trước khi sử dụng. Nhiều tai nạn xảy ra là do không bảo quản tốt dụng cụ máy.
  23. Luôn giữ cho dụng cụ cắt được sắc bén và sạch sẽ. Những dụng cụ cắt được bảo quản tốt có mép cắt sắc sẽ ít bị kẹt hơn và dễ điều khiển hơn.
  24. Sử dụng dụng cụ máy, phụ tùng và đầu dụng cụ cắt, v.v... theo các hướng dẫn này, có tính đến điều kiện làm việc và công việc được thực hiện. Việc sử dụng dụng cụ máy cho các công việc khác với công việc dự định có thể gây nguy hiểm.
- #### Bảo dưỡng
25. Để nhân viên sửa chữa đủ trình độ bảo dưỡng dụng cụ máy của bạn và chỉ sử dụng các bộ phận thay thế đồng nhất. Việc này sẽ đảm bảo duy trì được độ an toàn của dụng cụ máy.
  26. Tuân theo hướng dẫn dành cho việc bôi trơn và thay phụ tùng.
  27. Giữ tay cầm khô, sạch, không dính dầu và mỡ.

## CẢNH BÁO AN TOÀN VỀ BÚA

GEB079-1

1. Đeo thiết bị bảo vệ tai. Việc để tai tiếp xúc với tiếng ồn có thể gây giảm thính lực.
2. Sử dụng (các) tay cầm phụ, nếu được cung cấp cùng với dụng cụ. Việc mất khả năng kiểm soát có thể dẫn đến thương tích cá nhân.
3. Mang mũ cứng (nón bảo hộ), đeo kính an toàn và/hoặc mang tấm bảo vệ mặt. Các loại kính mắt hoặc kính râm thông thường KHÔNG phải là kính an toàn. Chúng tôi khuyến cáo bạn nên mang khẩu trang chống bụi và một đôi găng tay đệm dày.
4. Đảm bảo rằng phần mũi được giữ chặt ở đúng vị trí trước khi vận hành.
5. Khi vận hành bình thường, dụng cụ được thiết kế có phát sinh ra rung động. Các ốc vít có thể dễ dàng bị lỏng ra làm hỏng hoặc gây tai nạn. Kiểm tra độ chặt của các ốc vít trước khi bắt đầu vận hành.
6. Ở thời tiết lạnh hoặc khi dụng cụ không được sử dụng trong thời gian dài, hãy để dụng cụ nóng lên một chút trước khi vận hành hoặc vận hành nó không tải. Điều này sẽ giúp dầu bôi trơn giãn ra. Nếu không làm nóng dụng cụ, thao tác đóng búa sẽ trở nên khó khăn.
7. Luôn đảm bảo bạn có chỗ đặt chân vững chắc. Đảm bảo rằng không có ai ở bên dưới khi sử dụng dụng cụ ở trên cao.
8. Cầm dụng cụ bằng cả hai tay.
9. Giữ tay tránh xa các bộ phận quay.
10. Không để mặt dụng cụ hoạt động. Chỉ vận hành dụng cụ khi cầm trên tay.
11. Không được chỉ dụng cụ về bất cứ ai trong khu vực đang hoạt động. Đầu mũi có thể bay ra và gây tổn thương nghiêm trọng cho người khác.
12. Không được sờ vào phần đầu mũi hoặc các bộ phận gần đầu mũi ngay sau khi hoạt động xong; chúng có thể cực nóng và làm bỏng da bạn.

13. Không được vận hành dụng cụ ở mức không tải không cần thiết.
14. Một số vật liệu có thể chứa hoá chất độc. Hãy cẩn thận để tránh hít phải bụi và tiếp xúc với da. Tuân theo dữ liệu an toàn của nhà cung cấp vật liệu.

## LƯU GIỮ CÁC HƯỚNG DẪN NÀY.

### ⚠ CẢNH BÁO:

**KHÔNG** được để sự thoải mái hay quen thuộc với sản phẩm (có được do sử dụng nhiều lần) thay thế việc tuân thủ nghiêm ngặt các quy định về an toàn dành cho sản phẩm này.

**VIỆC DÙNG SAI** hoặc không tuân theo các quy định về an toàn được nêu trong tài liệu hướng dẫn này có thể dẫn đến thương tích cá nhân nghiêm trọng.

## MÔ TẢ CHỨC NĂNG

### ⚠ CẢNH BÁO:

- Phải luôn đảm bảo rằng dụng cụ đã được tắt điện và ngắt kết nối trước khi chỉnh sửa hoặc kiểm tra chức năng của dụng cụ.

### Hoạt động công tắc (Hình 1)

#### ⚠ CẢNH BÁO:

- Trước khi cắm điện vào dụng cụ, luôn luôn kiểm tra xem cần khởi động công tắc có hoạt động bình thường hay không và trả về vị trí "OFF" (TẮT) khi nhả ra.

Để khởi động dụng cụ, chỉ cần kéo cần khởi động công tắc. Nhả cần khởi động công tắc ra để dừng.

Để tiếp tục vận hành, hãy kéo cần khởi động công tắc và sau đó trượt nút khóa xuống dưới.

Để dừng dụng cụ từ vị trí đã khóa, hãy kéo cần khởi động công tắc hết mức, sau đó nhả ra.

## LẮP RÁP

### ⚠ CẢNH BÁO:

- Luôn luôn đảm bảo rằng dụng cụ đã được tắt và tháo phích cắm trước khi dùng dụng cụ thực hiện bất cứ công việc nào.

### Lắp hoặc tháo đầu mũi (Hình 2)

Đặt phần cắt khác trên thân đầu mũi hướng về phía chốt kẹp dụng cụ, đẩy đầu mũi vào bên trong đầu cặp dụng cụ hết mức có thể. Sau đó kéo ra và xoay chốt kẹp dụng cụ 180° để giữ chặt đầu mũi. Sau khi lắp, hãy luôn đảm bảo rằng đầu mũi đã được giữ chắc chắn đúng vị trí bằng cách thử kéo ra.

### Tay nắm hông (tay nắm phụ trợ) (Hình 3)

Tay nắm hông có thể lật qua lại các mặt, cho phép dễ dàng cầm giữ dụng cụ ở bất cứ vị trí nào.

## VẬN HÀNH

### Đục/Đập/Phá hủy (Hình 4)

Cầm chắc dụng cụ bằng cả hai tay. Bật dụng cụ lên và nắm giữ dụng cụ với lực vừa đủ sao cho dụng cụ không bị rung bật, không kiểm soát được. Việc ấn rất mạnh lên dụng cụ sẽ không làm tăng hiệu quả sử dụng.

## BẢO TRÌ

### ⚠ CẢNH BÁO:

- Hãy luôn chắc chắn rằng dụng cụ đã được tắt và ngắt kết nối trước khi cố gắng thực hiện việc kiểm tra hay bảo dưỡng.
- Không bao giờ dùng xăng, ét xăng, dung môi, cồn hoặc hóa chất tương tự. Có thể xảy ra hiện tượng mất màu, biến dạng hoặc nứt vỡ.

### LƯU Ý:

- Dầu có thể rò rỉ nếu cất giữ dụng cụ ở vị trí đầu quay xuống dưới trong một thời gian dài. Khi cất giữ dụng cụ, hãy để dụng cụ nằm nghiêng.

### Thay thế các chổi các-bon

Khi đầu cách điện bằng nhựa dẻo bên trong chổi các-bon bị lộ ra tiếp xúc với vành góp điện, nó sẽ tự động tắt mô-tơ. Khi điều này xảy ra cần phải thay cả hai chổi các-bon. Hãy giữ cho các chổi các-bon sạch sẽ và không quấn vào trong các đầu giữ. Các chổi các-bon nên được thay thế cùng lúc. Hãy sử dụng các chổi các-bon giống nhau.

#### (Hình 5)

Sử dụng khóa lục giác để tháo các tấm nắp giữ. (Hình 6) Hãy sử dụng một tuốc-nơ-vít để tháo các nắp giữ chổi.

Hãy tháo các chổi các-bon đã bị mòn, lắp vào các chổi mới và vặn chặt các nắp giữ chổi. (Hình 7)

Lắp đặt lại thật chặt các tấm nắp giữ.

### Tra dầu nhớt (Hình 8 & Hình 9)

Để bổ sung thêm, tháo đồng hồ đo dầu nhớt bằng cờ-lê số 23. Chỉ sử dụng dầu nhớt chính hãng của Makita. Việc sử dụng bất cứ loại dầu nhớt nào khác đều có thể làm hư hỏng dụng cụ.

Để đảm bảo AN TOÀN và TIN CẬY của sản phẩm, việc sửa chữa hoặc bất cứ thao tác bảo trì, điều chỉnh nào đều phải được thực hiện bởi các Trung tâm Dịch vụ Được Ủy quyền của Makita (Makita Authorized Service Center), luôn sử dụng các phụ tùng thiết bị thay thế của Makita.

## PHỤ KIỆN TỰY CHỌN

### ⚠ CẢNH BÁO:

- Các phụ kiện hoặc phụ tùng gắn thêm này được khuyến cáo sử dụng với dụng cụ Makita của bạn theo như quy định trong hướng dẫn này. Việc sử dụng bất cứ phụ kiện hoặc phụ tùng gắn thêm nào khác đều có thể gây ra rủi ro thương tích cho người. Chỉ sử dụng phụ kiện hoặc phụ tùng gắn thêm cho mục đích đã quy định sẵn của chúng.

Nếu bạn cần hỗ trợ để biết thêm chi tiết về những phụ kiện này, hãy liên hệ với Trung tâm Dịch vụ của Makita tại địa phương của bạn.

- Đầu đục
- Mũi đục nguội
- Mũi đục đánh vảy
- Lưỡi mai cắt sét
- Đầm nện
- Hộp tra dầu nhớt
- Cờ-lê số 23
- Hộp chứa bằng sắt

**LƯU Ý:**

- Một vài mục trong danh sách có thể được bao gồm trong gói dụng cụ làm phụ kiện tiêu chuẩn. Các thông số kỹ thuật có thể thay đổi tùy theo từng quốc gia.

## คำอธิบายของมุมมองทั่วไป

- |                     |                               |                      |
|---------------------|-------------------------------|----------------------|
| 1. ปุ่มลัด          | 7. มือจับด้านข้าง             | 13. ไชควง            |
| 2. สวิตช์สั่งงาน    | 8. ตัวเปลี่ยนทิศทางกระแสไฟฟ้า | 14. ฝาที่ยึดแปรงถ่าน |
| 3. ลิวหัวแหลม       | 9. ปลายหุ้มฉนวน               | 15. ประแจ            |
| 4. ส่วนที่ทำรอยบาก  | 10. แปรงถ่าน                  | 16. มาตรวัดน้ำมัน    |
| 5. ตัวยึดเครื่องมือ | 11. ประแจหกเหลี่ยม            | 17. น้ำมันหล่อลื่น   |
| 6. ตัวจับเครื่องมือ | 12. แผ่นปิดฝาครอบ             |                      |

## ข้อมูลจำเพาะ

รุ่น	HM1306
อัตราเจาะกระแทกต่อนาที	1,450 รอบต่อนาที
ความยาวโดยรวม	652 มม.
น้ำหนักสุทธิ	15.1 กก.

- เนื่องจากมีการค้นคว้าวิจัยและพัฒนาอย่างต่อเนื่อง ข้อมูลจำเพาะในเอกสารฉบับนี้อาจเปลี่ยนแปลงได้โดยไม่ต้องแจ้งให้ทราบล่วงหน้า
- ข้อมูลจำเพาะอาจแตกต่างกันไปในแต่ละประเทศ
- น้ำหนักตามข้อบังคับของ EPTA 01/2003

## สัญลักษณ์

END224-3

ต่อไปนี้เป็นสัญลักษณ์ที่ใช้สำหรับอุปกรณ์

โปรดศึกษาความหมายของสัญลักษณ์ให้เข้าใจก่อนการใช้งาน



... อ่านคู่มือการใช้งาน

## จุดประสงค์ของเครื่องมือ

ENE046-1

เครื่องมือนี้ใช้สำหรับสกัดขนาดใหญ่และงานรื้อถอน และใช้สำหรับ การตอกและการอัดเมื่อใช้ร่วมกับอุปกรณ์เสริมที่เหมาะสม

## การจ่ายไฟ

ENF001-1

ต้องเชื่อมต่อเครื่องมือกับเครื่องจ่ายไฟที่มีแรงเคลื่อนไฟฟ้าตาม ที่ระบุไว้ในป้ายข้อมูลเครื่องจักร และจะต้องใช้ไฟฟ้ากระแสสลับแบบ เฟสเดียวเท่านั้น ควรต่อสายดินขณะใช้เครื่องมือ เพื่อป้องกันผู้ใช้งานจากการถูกไฟฟ้าช็อต ใช้สายพ่วงชนิดสามสาย ซึ่งมีปลั๊ก สามขาชนิดมีสายดิน และตัวรับสามขั้ว ซึ่งรองรับปลั๊กเครื่องมือ เท่านั้น

GEA005-3

## คำเตือนด้านความปลอดภัยของเครื่องมือไฟฟ้าทั่วไป

**⚠ คำเตือน!** อ่านคำเตือนด้านความปลอดภัยและคำแนะนำทั้งหมด การไม่ปฏิบัติตามคำเตือนและคำแนะนำดังกล่าวอาจส่งผลให้เกิดไฟฟ้าช็อต ไฟไหม้ และ/หรือได้รับบาดเจ็บอย่างร้ายแรง

## เก็บรักษาตำแหน่งและคำแนะนำทั้งหมดไว้เป็นข้อมูลอ้างอิงในอนาคต

คำว่า “เครื่องมือไฟฟ้า” ในคำเตือนนี้ หมายถึง เครื่องมือไฟฟ้า (มีสาย) ที่ทำงานโดยใช้กระแสไฟฟ้า หรือเครื่องมือไฟฟ้า (ไร้สาย) ที่ทำงานโดยใช้แบตเตอรี่

## ความปลอดภัยของพื้นที่ทำงาน

- ดูแลพื้นที่ทำงานให้มีความสะอาดและมีแสงไฟสว่าง พื้นที่ กระจกเงาระยะหรือมืดที่บดบังอาจนำไปสู่การเกิดอุบัติเหตุได้
- อย่าใช้งานเครื่องมือไฟฟ้าในสภาพที่อาจเกิดการระเบิด เช่น ในสถานที่ที่มีของเหลว ก๊าซ หรือฝุ่นผงที่มีคุณสมบัติไวไฟ เครื่องมือไฟฟ้าจะสร้างประกายไฟเพื่อจุดชนวนฝุ่นผงหรือก๊าซดังกล่าว
- ดูแลไม่ให้มีเด็ก ๆ หรือบุคคลอื่นอยู่ในบริเวณที่กำลังใช้เครื่องมือไฟฟ้า การมีสิ่งรบกวนสมาธิอาจทำให้คุณสูญเสียการควบคุม

## ความปลอดภัยด้านไฟฟ้า

- ปลั๊กของเครื่องมือไฟฟ้าต้องพอดีกับตัวรับ อย่าดัดแปลงปลั๊กไม่ว่ากรณีใดๆ อย่าใช้ปลั๊กอะแดปเตอร์กับเครื่องมือไฟฟ้าที่ต่อสายดิน ปลั๊กที่ไม่ถูกต้องและตัวรับไฟที่เข้ากันพอดีจะช่วยลดความเสี่ยงของการเกิดไฟฟ้าช็อต
- ระวังอย่าให้ร่างกายสัมผัสกับพื้นผิวที่ต่อสายดิน เช่น ท่อเครื่องทำความร้อน เตาทุ้ม และตู้เย็น มีความเสี่ยงที่จะเกิดไฟฟ้าช็อตสูงขึ้น หากร่างกายของคุณสัมผัสกับพื้น

6. อย่าให้เครื่องมือไฟฟ้าถูกน้ำหรืออยู่ในสภาพเปียกชื้น น้ำที่ไหลเข้าไปในเครื่องมือไฟฟ้าจะเพิ่มความเสี่ยงของการเกิดไฟฟ้าช็อต
7. อย่าใช้สายไฟอย่างไม่เหมาะสม อย่าใช้สายไฟเพื่อยก ดึง หรือ ถอดปลั๊กเครื่องมือไฟฟ้า เก็บสายไฟให้ห่างจากความร้อน น้ำมัน ของมีคม หรือชิ้นส่วนที่เคลื่อนที่ สายที่ชำรุดหรือพันกันจะเพิ่มความเสี่ยงของการเกิดไฟฟ้าช็อต
8. ขณะที่ใช้งานเครื่องมือไฟฟ้านอกอาคาร ควรใช้สายต่อพ่วงที่เหมาะสมกับงานภายนอกอาคาร การใช้สายที่เหมาะสมกับงานภายนอกอาคารจะลดความเสี่ยงของการเกิดไฟฟ้าช็อต
9. หากต้องใช้งานเครื่องมือไฟฟ้าในสถานที่เปียกชื้น ให้ใช้อุปกรณ์ป้องกันกระแสไฟรั่ว (RCD) การใช้ RCD จะลดความเสี่ยงของการเกิดไฟฟ้าช็อต
10. ขอแนะนำให้ใช้แหล่งจ่ายไฟผ่าน RCD ที่มีกระแสไฟรั่วในอัตราไม่เกิน 30 mA เสมอ

#### ความปลอดภัยส่วนบุคคล

11. ให้ระมัดระวัง และสังเกตเสมอว่าคุณกำลังทำสิ่งใดอยู่ และใช้สามัญสำนึกในขณะที่ใช้งานเครื่องมือไฟฟ้า อย่าใช้งานเครื่องมือไฟฟ้าในขณะที่คุณกำลังเหนื่อย หรือในสภาพที่มีเมฆมาจากยาเสพติด เครื่องดื่มแอลกอฮอล์ หรือการใช้ยา ช่วงเวลาที่ขาดความระมัดระวังเมื่อกำลังใช้งานเครื่องมือไฟฟ้าอาจทำให้คุณได้รับบาดเจ็บอย่างรุนแรง
12. ใช้อุปกรณ์ป้องกันส่วนบุคคล สวมแว่นตาป้องกันเสมอ อุปกรณ์ป้องกัน เช่น หน้ากากกันฝุ่น รองเท้านิรภัยกันสั่น หมวกนิรภัย หรือเครื่องป้องกันการได้ยินที่ใช้ในสภาพที่เหมาะสมจะช่วยลดการบาดเจ็บ
13. ป้องกันไม่ให้เปิดใช้งานอย่างไม่ตั้งใจ ตรวจสอบว่าสวิตช์อยู่ในตำแหน่งปิดก่อนเชื่อมต่อกับแหล่งจ่ายไฟ และ/หรือชุดแบตเตอรี่ หรือก่อนการยกหรือถือเครื่องมือ การถอดนิ้วมือบริเวณสวิตช์เพื่อถือเครื่องมือไฟฟ้า หรือการชาร์จไฟเครื่องมือไฟฟ้าในขณะที่เปิดสวิตช์อยู่อาจนำไปสู่การเกิดอุบัติเหตุ
14. นำกุญแจมาปรับแต่งหรือประแจออกก่อนที่จะเปิดเครื่องมือไฟฟ้า ประแจหรือกุญแจที่เสียบค้างอยู่ในชิ้นส่วนที่หมุนได้ของเครื่องมือไฟฟ้าอาจทำให้คุณได้รับบาดเจ็บ
15. อย่าทำงานในระยะที่สุดอ้อม จัดท่าการยืนและการทรงตัวให้เหมาะสมตลอดเวลา เพราะจะทำให้ควบคุมเครื่องมือไฟฟ้าได้ดีขึ้นในสถานการณ์ที่ไม่คาดคิด
16. แต่งกายให้เหมาะสม อย่าสวมเครื่องแต่งกายที่หลวมเกินไป หรือสวมเครื่องประดับ ดูแลไม่ให้เส้นผม เสื้อผ้า และถุงมืออยู่ใกล้ชิ้นส่วนที่เคลื่อนที่ เสื้อผ้า ร่ม ร่ม เครื่องประดับ หรือผมที่มีความยาวอาจเข้าไปติดในชิ้นส่วนที่เคลื่อนที่
17. หากมีการจัดอุปกรณ์สำหรับจับและจับเก็บฝุ่นไว้ในสถานที่ ให้ตรวจสอบว่าได้เชื่อมต่อและใช้งานอุปกรณ์นั้นอย่าง

เหมาะสม การใช้เครื่องดูดและจัดเก็บฝุ่นจะช่วยลดอันตรายที่เกิดจากฝุ่นผงได้

#### การใช้และดูแลเครื่องมือไฟฟ้า

18. อย่าฝืนใช้เครื่องมือไฟฟ้า ใช้เครื่องมือไฟฟ้าที่เหมาะสมกับการใช้งานของคุณ เครื่องมือไฟฟ้าที่เหมาะสมจะทำงานที่มีประสิทธิภาพและปลอดภัยกว่าตามขีดความสามารถของเครื่องที่ได้รับการออกแบบมา
19. อย่าใช้เครื่องมือไฟฟ้า หากสวิตช์ไม่สามารถเปิดปิดได้ เครื่องมือไฟฟ้าที่ควบคุมด้วยสวิตช์ไม่ได้เป็นสิ่งอันตรายและต้องได้รับการซ่อมแซม
20. ถอดปลั๊กจากแหล่งจ่ายไฟ และ/หรือชุดแบตเตอรี่ออกจากเครื่องมือไฟฟ้าก่อนทำการปรับแต่ง เปลี่ยน อุปกรณ์เสริม หรือจัดเก็บเครื่องมือไฟฟ้า วิธีการป้องกันด้านความปลอดภัยดังกล่าวจะช่วยลดความเสี่ยงของการเปิดใช้งานเครื่องมือไฟฟ้าอย่างไม่ตั้งใจ
21. จัดเก็บเครื่องมือไฟฟ้าที่ไม่ได้ใช้งานให้ห่างจากมือเด็ก และอย่าอนุญาตให้บุคคลที่ไม่คุ้นเคยกับเครื่องมือไฟฟ้า หรือคำแนะนำเหล่านี้ใช้งานเครื่องมือไฟฟ้า เครื่องมือไฟฟ้าจะเป็นอันตรายเมื่ออยู่ในมือของผู้ที่ไม่ได้รับการฝึกอบรม
22. การดูแลรักษาเครื่องมือไฟฟ้า ตรวจสอบการประกอบที่ไม่ถูกต้องหรือการเชื่อมต่อของชิ้นส่วนที่เคลื่อนที่ การแตกหักของชิ้นส่วน หรือสภาพอื่นๆ ที่อาจส่งผลกระทบต่อการทำงานของเครื่องมือไฟฟ้า หากมีความเสียหายให้นำเครื่องมือไฟฟ้าไปซ่อมแซมก่อนการใช้งาน อุบัติเหตุจำนวนมากเกิดจากการดูแลรักษาเครื่องมือไฟฟ้าอย่างไม่ถูกต้อง
23. ลับความคมและทำความสะอาดเครื่องมือการตัดอยู่เสมอ เครื่องมือการตัดที่มีการดูแลอย่างถูกต้องและมีขอบการตัดคมมักจะมีปัญหาติดขัดน้อยและควบคุมได้ง่ายกว่า
24. ใช้เครื่องมือไฟฟ้า อุปกรณ์เสริม และวัสดุสิ้นเปลือง ฯลฯ ตามคำแนะนำดังกล่าว พิจารณาสภาพการทำงานและงานที่จะลงมือทำ การใช้เครื่องมือไฟฟ้าเพื่อทำงานอื่นนอกเหนือจากที่กำหนดไว้อาจทำให้เกิดอันตราย

#### การบริการ

25. นำเครื่องมือไฟฟ้าเข้ารับบริการจากช่างซ่อมที่ผ่านการรับรองโดยใช้อะไหล่แบบเดียวกันเท่านั้น เพราะจะทำให้การใช้เครื่องมือไฟฟ้ามีความปลอดภัย
26. ปฏิบัติตามคำแนะนำในการหล่อลื่นและการเปลี่ยนอุปกรณ์เสริม
27. ดูแลมือจับให้แห้ง สะอาด และไม่มีน้ำมันและจาระบีเปื้อน



# คำเตือนด้านความปลอดภัยของเครื่อง เจาะสกัด

- สวมใส่อุปกรณ์ป้องกันเสียง เสียงที่ดังเกินขนาดอาจทำให้สูญเสียการได้ยิน
- ใช้มือจับเสริม ถ้ามีมากับเครื่อง การสูญเสียความควบคุม อาจทำให้เกิดการบาดเจ็บ
- สวมหมวกแข็ง (หมวกนิรภัย) แวนนิรภัย และ/หรือ หน้ากากป้องกัน แวนตาปกติกหรือแว่นกันแดดไม่ใช่อันนิรภัย และจะชนและนำอย่างยิ่งให้สวมหน้ากากกันฝุ่นและถุงมือหนาๆ
- ตรวจสอบให้แน่ใจว่าดอกสว่านยึดแน่นเข้าที่ดีแล้วก่อนการใช้งาน
- ภายใต้การทำงานปกติ เครื่องมือได้รับการออกแบบมาเพื่อสร้างแรงสั่นสะเทือน ดังนั้น สกรูต่างๆ จะหลวมได้ง่าย ซึ่งอาจทำให้เครื่องเสียหรือเกิดอุบัติเหตุ ตรวจสอบให้แน่ใจว่าขันสกรูแน่นดีแล้วก่อนการใช้งาน
- ในสภาพอากาศหนาวหรือเมื่อไม่มีการใช้เครื่องมือเป็นระยะเวลานาน ต้องอุ่นเครื่องมือสักครู่โดยการเปิดเครื่องทิ้งไว้เฉยๆ เพื่อให้มีการหล่อลื่น หากไม่มีการอุ่นเครื่องมืออย่างเหมาะสม การเจาะสกัดจะทำได้ยาก
- ตรวจสอบบริเวณที่ยืนให้มีความมั่นคงเสมอ หากใช้งานเครื่องมือในพื้นที่สูง ระวังอย่าให้มีคนอยู่ด้านล่าง
- จับเครื่องมือให้แน่นด้วยมือทั้งสองข้าง
- ระวังอย่าให้มือสัมผัสกับชิ้นส่วนที่เคลื่อนที่
- อย่าปล่อยให้เครื่องมือทำงานค้างไว้ ใช้งานเครื่องมือในขณะที่ถืออยู่เท่านั้น
- อย่าใช้เครื่องมือซีไปที่บุคคลใดในพื้นที่ทำงานขณะใช้งาน ดอกสว่านอาจหลุดออกและทำให้ได้รับบาดเจ็บร้ายแรงได้
- ห้ามสัมผัสกับดอกสว่านหรือชิ้นส่วนที่ใกล้กับดอกสว่านทันทีที่ทำงานเสร็จ เนื่องจากดอกสว่านหรือชิ้นส่วนอาจมีความร้อนสูงและลวกผิวหนังของคุณได้
- อย่าใช้เครื่องมือโดยเปิดเครื่องทิ้งไว้เฉยๆ โดยไม่จำเป็น
- วัสดุบางอย่างอาจมีสารเคมีที่เป็นพิษ ระวังอย่าสูดดมฝุ่นหรือให้สารเหล่านั้นสัมผัสกับร่างกาย ปฏิบัติตามข้อมูลด้านความปลอดภัยของผู้ผลิตวัสดุ

## บันทึกคำแนะนำเหล่านี้

### ⚠ คำเตือน:

อย่าให้ความไม่ระมัดระวังหรือความคุ้นเคยกับผลิตภัณฑ์ (จากการใช้งานซ้ำหลายครั้ง) อยู่เหนือการปฏิบัติตามกฎเกณฑ์ด้านความปลอดภัยในการใช้งานผลิตภัณฑ์อย่างเคร่งครัด

การปฏิบัติอย่างไม่เหมาะสมหรือการไม่ปฏิบัติตามกฎเกณฑ์ด้านความปลอดภัยในคู่มือใช้งานนี้อาจก่อให้เกิดการบาดเจ็บอย่างรุนแรง

## คำอธิบายการทำงาน

### ⚠ ข้อควรระวัง:

- ตรวจสอบให้แน่ใจว่าได้ปิดสวิตช์เครื่องมือและถอดปลั๊กออกก่อนทำการปรับตั้งหรือตรวจสอบการทำงานของเครื่องมือ

### การทำงานของสวิตช์ (ภาพที่ 1)

#### ⚠ ข้อควรระวัง:

- ก่อนเสียบปลั๊กเครื่องมือ ให้ตรวจสอบว่าสวิตช์สั่งงานสามารถทำงานได้อย่างถูกต้อง และกลับไปยังตำแหน่ง "OFF" เมื่อปล่อยเปิดใช้เครื่องมือโดยดึงสวิตช์สั่งงาน ปล่อยสวิตช์สั่งงานเพื่อหยุดทำงาน ถ้าต้องการใช้งานอย่างต่อเนื่อง ดึงสวิตช์สั่งงานและจากนั้นเลื่อนปุ่มลึกลง ถ้าต้องการเลิกใช้งานเครื่องมือในตำแหน่งลึกลง ให้ดึงสวิตช์สั่งงานจนสุด จากนั้นปล่อยสวิตช์

## การประกอบ

### ⚠ ข้อควรระวัง:

- ตรวจสอบให้แน่ใจว่าสวิตช์เครื่องมืออยู่ในตำแหน่งปิดเครื่อง และถอดปลั๊กเครื่องมือออกก่อนดำเนินการใดๆ กับเครื่องมือ

### การติดตั้งหรือถอดดอกสว่าน (ภาพที่ 2)

ให้ส่วนที่ทำการยกบนก้านของดอกสว่านหันหน้าไปทางตัวยึดเครื่องมือ ใสดอกสว่านลงไปในตัวจับเครื่องมือจนสุด จากนั้นดึงออกมา และหมุนตัวยึดเครื่องมือ 180° เพื่อยึดดอกสว่าน หลังการประกอบ ตรวจสอบให้แน่ใจว่าดอกสว่านยึดเข้าที่ดีแล้วโดยการพยายามดึงดอกสว่านออกมา

### มือจับด้านข้าง (มือจับเสริม) (ภาพที่ 3)

มือจับด้านข้างที่หมุนได้พร้อมทำให้จับเครื่องมือในตำแหน่งต่างๆ ได้ง่าย

## การใช้งาน

### การถาก/การกะเทาะ/การสกัด (ภาพที่ 4)

ถือเครื่องมืออย่างมั่นคงด้วยมือทั้งสองข้าง เปิดเครื่องและกดเครื่องมือด้วยแรงเพียงเล็กน้อยเพื่อไม่ให้เครื่องมือติดกลับและสูญเสียการควบคุม การออกแรงกดบนเครื่องมือมากเกินไปไม่ช่วยเพิ่มประสิทธิภาพในการทำงาน

## การบำรุงรักษา

### ⚠ ข้อควรระวัง:

- ตรวจสอบให้แน่ใจว่าสวิตช์เครื่องมืออยู่ในตำแหน่งปิดเครื่อง และถอดปลั๊กเครื่องมือออกก่อนดำเนินการตรวจสอบหรือบำรุงรักษา
- อย่าใช้น้ำมันเชื้อเพลิง เบนซิน ทินเนอร์ แอลกอฮอล์ หรือวัสดุประเภทเดียวกัน เพราะอาจทำให้เครื่องมือเสียหาย วัสดุรูปทรงหรือแตกหักได้

### หมายเหตุ:

- น้ำมันอาจรั่วได้ หากเก็บเครื่องมือโดยหันหัวลงเป็นเวลานาน เมื่อเก็บเครื่องมือ ให้วางนอนด้านข้าง

## การเปลี่ยนแปรงถ่าน

มอเตอร์จะหยุดการทำงานโดยอัตโนมัติ เมื่อปลายหุ้มฉนวนวางภายในแปรงถ่านสัมผัสกับตัวเปลี่ยนทิศทางกระแสไฟฟ้า เมื่อเกิดเหตุการณ์นี้ขึ้น ควรเปลี่ยนแปรงถ่าน รักษาความสะอาดของแปรงถ่านและตรวจสอบว่าสามารถเลื่อนไปมาในที่ยึดได้ ควรเปลี่ยนแปรงถ่านใหม่พร้อมกันเป็นคู่ ใช้แปรงถ่านลักษณะเหมือนกันเท่านั้น

### (ภาพที่ 5)

ใช้ประแจหกเหลี่ยมเพื่อถอดแผ่นปิดฝาครอบ (ภาพที่ 6)

ใช้ไขควงเพื่อถอดฝาที่ยึดแปรงถ่าน นำแปรงถ่านที่สึกหรอแล้วออกมา ใส่แปรงถ่านใหม่เข้าไป และยึดฝาที่ยึดแปรงถ่านเข้าที่

### (ภาพที่ 7)

ประกอบแผ่นปิดฝาครอบเข้าไปใหม่ให้แน่น

## การเติมน้ำมันหล่อลื่น (ภาพที่ 8 และภาพที่ 9)

ถ้าต้องการเติมน้ำมันหล่อลื่น ให้ถอดมาตรวัดน้ำมันด้วยประแจเบอร์ 23 ใช้เฉพาะน้ำมันหล่อลื่นของแท้ของ Makita เท่านั้น การใช้ น้ำมันหล่อลื่นชนิดอื่นๆ อาจทำให้เครื่องมือเสียหายได้ เพื่อความปลอดภัยและนำเชื้อเพลิงของผลิตภัณฑ์ ควรให้ศูนย์บริการที่ผ่านการรับรองจาก Makita เป็นผู้ดำเนินการซ่อมแซม บำรุงรักษา และทำการปรับตั้งอื่นๆ นอกจากนี้ให้ใช้อะไหล่ของแท้จาก Makita เสมอ

## อุปกรณ์เสริม

### ⚠ ข้อควรระวัง:

- แนะนำให้ใช้อุปกรณ์เสริมหรืออุปกรณ์ต่อพ่วงต่อไปนี้ร่วมกับเครื่องมือของ Makita ที่ระบุไว้ในคู่มือการใช้งานฉบับนี้ การใช้ อุปกรณ์เสริมหรืออุปกรณ์ต่อพ่วงอื่นๆ อาจเสี่ยงต่อการบาดเจ็บได้ ใช้อุปกรณ์เสริมหรืออุปกรณ์ต่อพ่วงตามวัตถุประสงค์ที่ระบุไว้เท่านั้น

ถ้าคุณต้องการความช่วยเหลือหรือข้อมูลเพิ่มเติมเกี่ยวกับ อุปกรณ์เสริมเหล่านี้ โปรดสอบถามศูนย์บริการของ Makita

- สีหัวแหลม

- เหล็กสกัด
- สิวสกัดผิว
- ที่ชะดิน
- เครื่องตอก
- น้ำมันหล่อลื่น
- ประแจเบอร์ 23
- กระเป๋าน้ำมันสำหรับใส่เครื่องมือ

### หมายเหตุ:

- อุปกรณ์บางรายการอาจรวมอยู่ในชุดอุปกรณ์พื้นฐานของผลิตภัณฑ์ ซึ่งอาจแตกต่างกันไปในแต่ละประเทศ



**Makita Corporation**  
3-11-8, Sumiyoshi-cho,  
Anjo, Aichi 446-8502 Japan  
[www.makita.com](http://www.makita.com)

884757C376

TRD