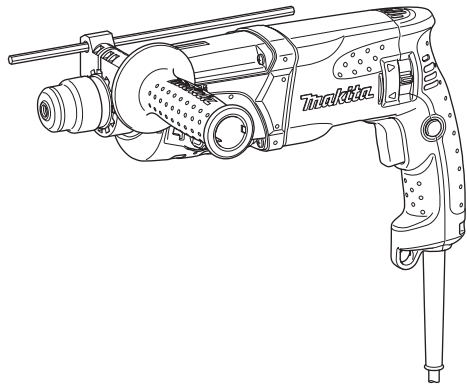




EN	Rotary Hammer	INSTRUCTION MANUAL	5
ZHCN	电锤	使用说明书	11
ID	Bor Getar Rotari	PETUNJUK PENGGUNAAN	17
MY	Tukul Berputar	MANUAL ARAHAN	24
VI	Máy Khoan Động Lực Cầm Tay Hoạt Động Bằng Động Cơ Điện	TÀI LIỆU HƯỚNG DẪN	31
TH	สว่านเจาะกระแทกแบบโรตารี	คู่มือการใช้งาน	37

HR2470
HR2470F
HR2470FT
HR2470T



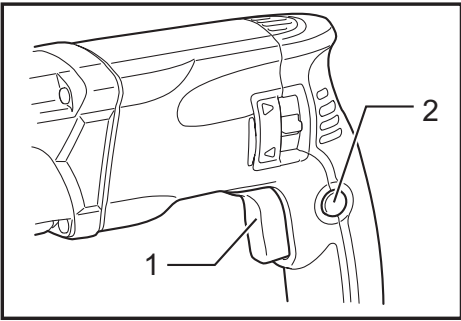


Fig.1

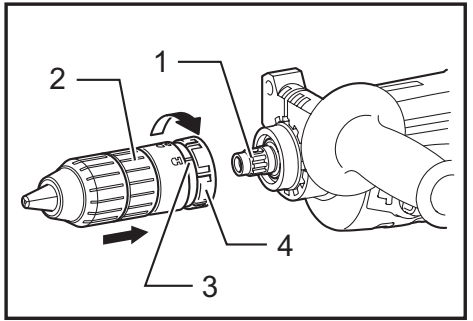


Fig.5

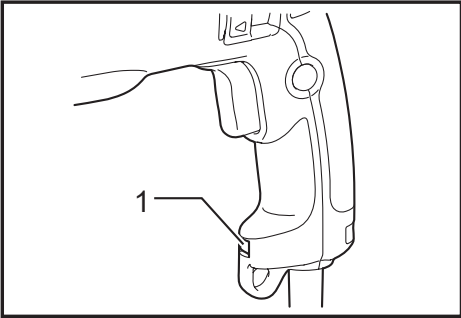


Fig.2

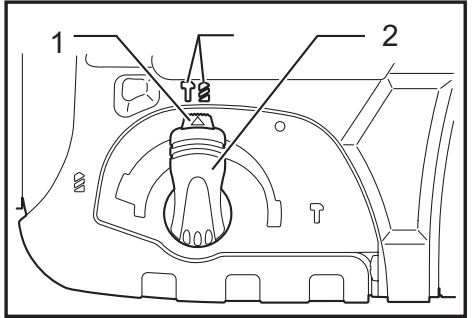


Fig.6

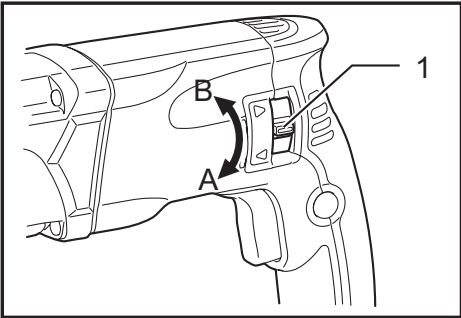


Fig.3

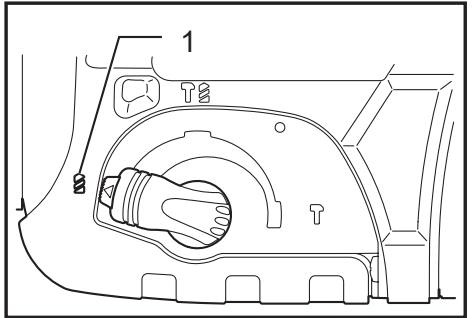


Fig.7

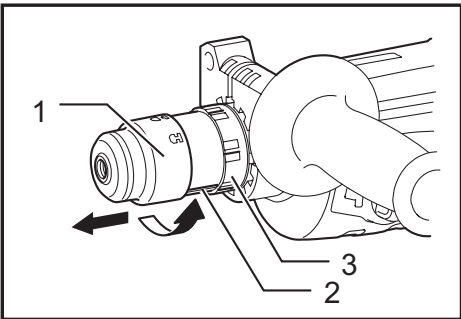


Fig.4

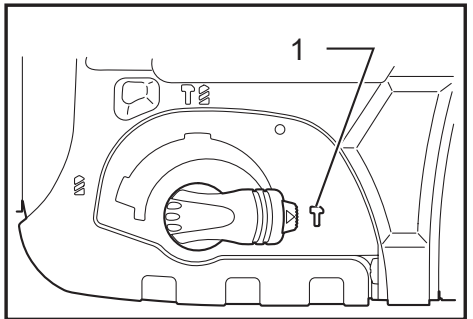


Fig.8

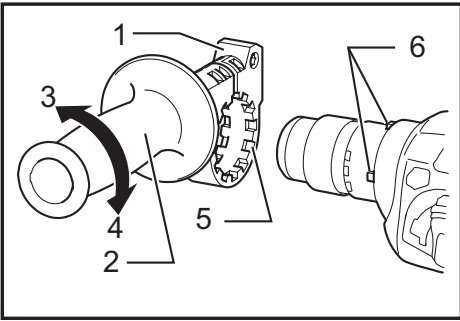


Fig.9

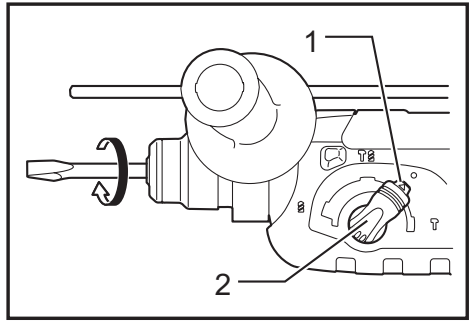


Fig.13

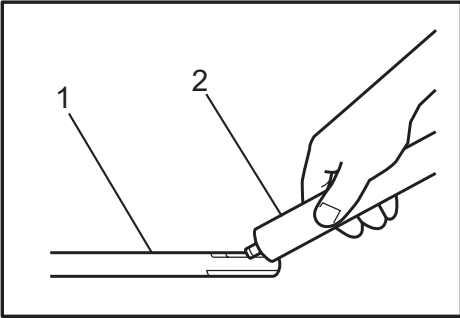


Fig.10

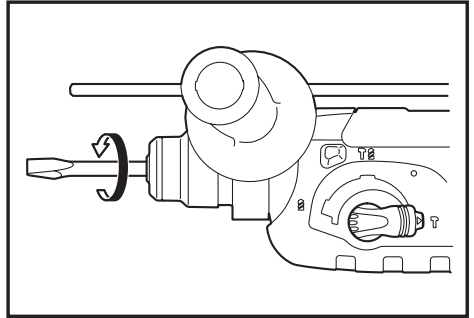


Fig.14

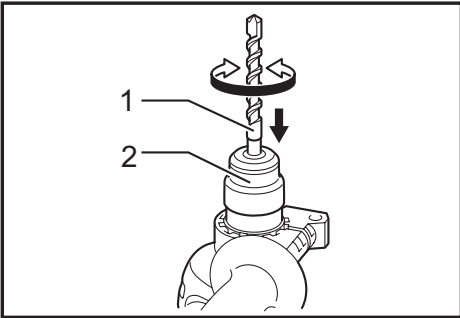


Fig.11

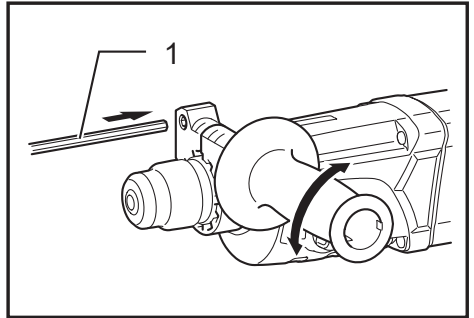


Fig.15

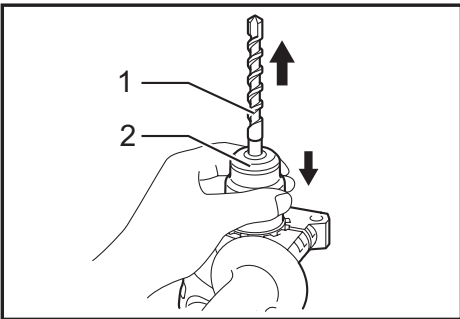


Fig.12

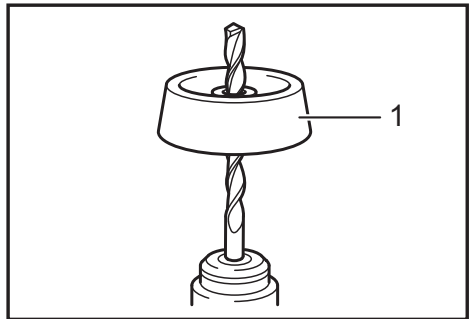


Fig.16

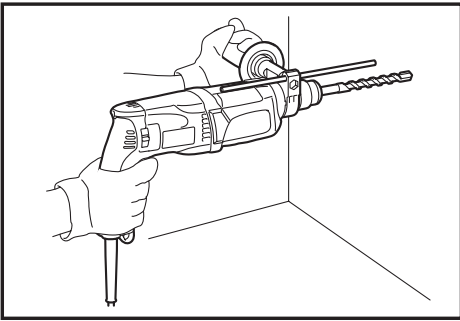


Fig.17

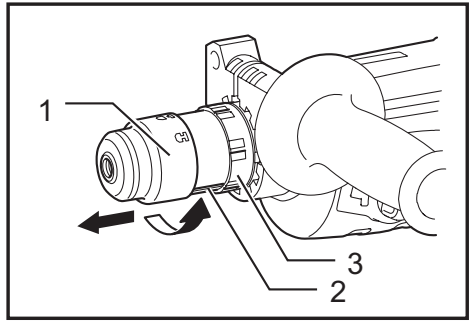


Fig.21

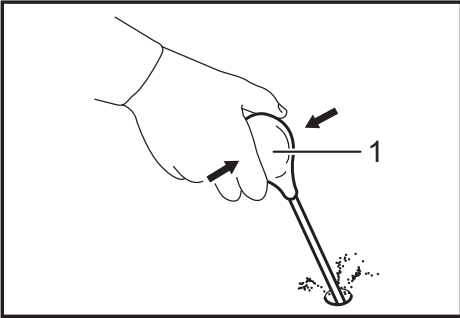


Fig.18

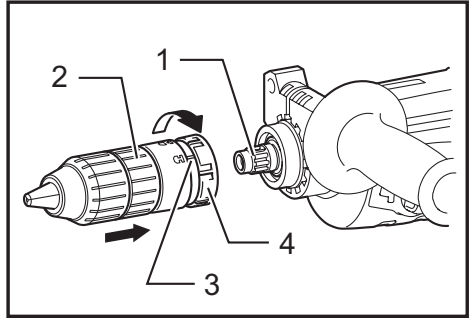


Fig.22

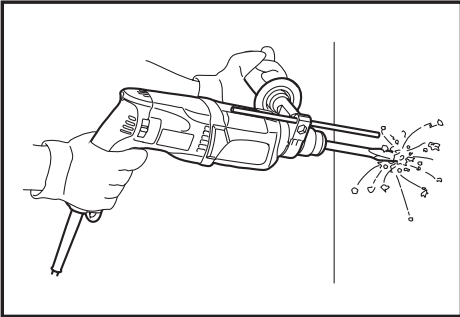


Fig.19

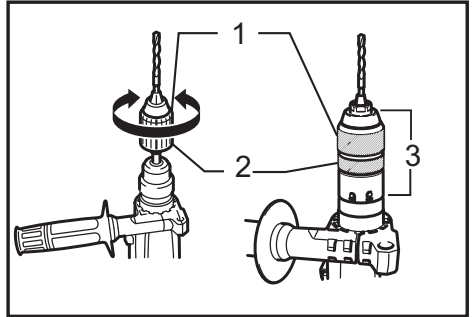


Fig.23

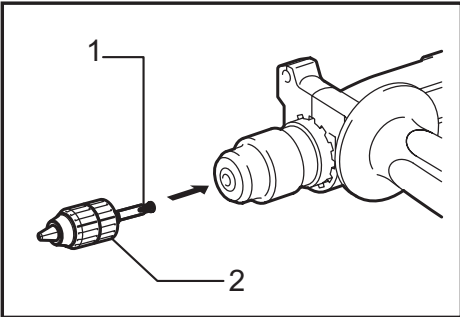


Fig.20

SPECIFICATIONS

Model			HR2470/HR2470F	HR2470T/HR2470FT
Capacities	Concrete	Tungsten-carbide tipped bit	24 mm	
		Core bit	54 mm	
		Diamond core bit (dry type)	65 mm	
	Steel		13 mm	
	Wood		32 mm	
No load speed (min ⁻¹)			0 - 1,100	
Blows per minute			0 - 4,500	
Overall length			370 mm	394 mm
Net weight			2.9 kg	3.0 kg
Safety class			□/II	

- Due to our continuing program of research and development, the specifications herein are subject to change without notice.
- Specifications may differ from country to country.
- Weight according to EPTA-Procedure 01/2003

Symbols

The following show the symbols used for the equipment. Be sure that you understand their meaning before use.

	Read instruction manual.
	DOUBLE INSULATION
	Only for EU countries Do not dispose of electric equipment together with household waste material! In observance of the European Directive, on Waste Electric and Electronic Equipment and its implementation in accordance with national law, electric equipment that have reached the end of their life must be collected separately and returned to an environmentally compatible recycling facility.

Intended use

The tool is intended for hammer drilling and drilling in brick, concrete and stone as well as for chiselling work. It is also suitable for drilling without impact in wood, metal, ceramic and plastic.

Power supply

The tool should be connected only to a power supply of the same voltage as indicated on the nameplate, and can only be operated on single-phase AC supply. They are double-insulated and can, therefore, also be used from sockets without earth wire.

General Power Tool Safety Warnings

⚠ WARNING Read all safety warnings and all instructions. Failure to follow the warnings and instructions may result in electric shock, fire and/or serious injury.

Save all warnings and instructions for future reference.

The term "power tool" in the warnings refers to your mains-operated (corded) power tool or battery-operated (cordless) power tool.

Work area safety

1. **Keep work area clean and well lit.** Cluttered or dark areas invite accidents.
2. **Do not operate power tools in explosive atmospheres, such as in the presence of flammable liquids, gases or dust.** Power tools create sparks which may ignite the dust or fumes.
3. **Keep children and bystanders away while operating a power tool.** Distractions can cause you to lose control.

Electrical safety

4. **Power tool plugs must match the outlet. Never modify the plug in any way. Do not use any adapter plugs with earthed (grounded) power tools.** Unmodified plugs and matching outlets will reduce risk of electric shock.
5. **Avoid body contact with earthed or grounded surfaces such as pipes, radiators, ranges and refrigerators.** There is an increased risk of electric shock if your body is earthed or grounded.
6. **Do not expose power tools to rain or wet conditions.** Water entering a power tool will increase the risk of electric shock.
7. **Do not abuse the cord. Never use the cord for carrying, pulling or unplugging the power tool. Keep cord away from heat, oil, sharp edges or moving parts.** Damaged or entangled cords increase the risk of electric shock.

8. **When operating a power tool outdoors, use an extension cord suitable for outdoor use.** Use of a cord suitable for outdoor use reduces the risk of electric shock.
9. **If operating a power tool in a damp location is unavoidable, use a residual current device (RCD) protected supply.** Use of an RCD reduces the risk of electric shock.
10. **Use of power supply via a RCD with a rated residual current of 30 mA or less is always recommended.**

Personal safety

11. **Stay alert, watch what you are doing and use common sense when operating a power tool. Do not use a power tool while you are tired or under the influence of drugs, alcohol or medication.** A moment of inattention while operating power tools may result in serious personal injury.
12. **Use personal protective equipment. Always wear eye protection.** Protective equipment such as dust mask, non-skid safety shoes, hard hat, or hearing protection used for appropriate conditions will reduce personal injuries.
13. **Prevent unintentional starting. Ensure the switch is in the off-position before connecting to power source and/or battery pack, picking up or carrying the tool.** Carrying power tools with your finger on the switch or energising power tools that have the switch on invites accidents.
14. **Remove any adjusting key or wrench before turning the power tool on.** A wrench or a key left attached to a rotating part of the power tool may result in personal injury.
15. **Do not overreach. Keep proper footing and balance at all times.** This enables better control of the power tool in unexpected situations.
16. **Dress properly. Do not wear loose clothing or jewellery. Keep your hair, clothing, and gloves away from moving parts.** Loose clothes, jewellery or long hair can be caught in moving parts.
17. **If devices are provided for the connection of dust extraction and collection facilities, ensure these are connected and properly used.** Use of dust collection can reduce dust-related hazards.

Power tool use and care

18. **Do not force the power tool. Use the correct power tool for your application.** The correct power tool will do the job better and safer at the rate for which it was designed.
19. **Do not use the power tool if the switch does not turn it on and off.** Any power tool that cannot be controlled with the switch is dangerous and must be repaired.
20. **Disconnect the plug from the power source and/or the battery pack from the power tool before making any adjustments, changing accessories, or storing power tools.** Such preventive safety measures reduce the risk of starting the power tool accidentally.
21. **Store idle power tools out of the reach of children and do not allow persons unfamiliar with the power tool or these instructions to operate the power tool.** Power tools are dangerous in the hands of untrained users.

22. **Maintain power tools. Check for misalignment or binding of moving parts, breakage of parts and any other condition that may affect the power tool's operation. If damaged, have the power tool repaired before use.** Many accidents are caused by poorly maintained power tools.
23. **Keep cutting tools sharp and clean.** Properly maintained cutting tools with sharp cutting edges are less likely to bind and are easier to control.
24. **Use the power tool, accessories and tool bits etc. in accordance with these instructions, taking into account the working conditions and the work to be performed.** Use of the power tool for operations different from those intended could result in a hazardous situation.

Service

25. **Have your power tool serviced by a qualified repair person using only identical replacement parts.** This will ensure that the safety of the power tool is maintained.
26. **Follow instruction for lubricating and changing accessories.**
27. **Keep handles dry, clean and free from oil and grease.**

ROTARY HAMMER SAFETY WARNINGS

1. **Wear ear protectors.** Exposure to noise can cause hearing loss.
2. **Use auxiliary handle(s), if supplied with the tool.** Loss of control can cause personal injury.
3. **Hold power tool by insulated gripping surfaces, when performing an operation where the cutting accessory may contact hidden wiring or its own cord.** Cutting accessory contacting a "live" wire may make exposed metal parts of the power tool "live" and could give the operator an electric shock.
4. **Wear a hard hat (safety helmet), safety glasses and/or face shield.** Ordinary eye or sun glasses are NOT safety glasses. It is also highly recommended that you wear a dust mask and thickly padded gloves.
5. **Be sure the bit is secured in place before operation.**
6. **Under normal operation, the tool is designed to produce vibration. The screws can come loose easily, causing a breakdown or accident. Check tightness of screws carefully before operation.**
7. **In cold weather or when the tool has not been used for a long time, let the tool warm up for a while by operating it under no load. This will loosen up the lubrication. Without proper warm-up, hammering operation is difficult.**
8. **Always be sure you have a firm footing. Be sure no one is below when using the tool in high locations.**
9. **Hold the tool firmly with both hands.**
10. **Keep hands away from moving parts.**
11. **Do not leave the tool running. Operate the tool only when hand-held.**

12. Do not point the tool at any one in the area when operating. The bit could fly out and injure someone seriously.
13. Do not touch the bit or parts close to the bit immediately after operation; they may be extremely hot and could burn your skin.
14. Some material contains chemicals which may be toxic. Take caution to prevent dust inhalation and skin contact. Follow material supplier safety data.

SAVE THESE INSTRUCTIONS.

⚠WARNING: DO NOT let comfort or familiarity with product (gained from repeated use) replace strict adherence to safety rules for the subject product. MISUSE or failure to follow the safety rules stated in this instruction manual may cause serious personal injury.

FUNCTIONAL DESCRIPTION

⚠CAUTION:

- Always be sure that the tool is switched off and unplugged before adjusting or checking function on the tool.

Switch action

- Fig.1: 1. Switch trigger 2. Lock button

⚠CAUTION:

- Before plugging in the tool, always check to see that the switch trigger actuates properly and returns to the "OFF" position when released.

To start the tool, simply pull the switch trigger. Tool speed is increased by increasing pressure on the switch trigger. Release the switch trigger to stop. For continuous operation, pull the switch trigger and then push in the lock button. To stop the tool from the locked position, pull the switch trigger fully, then release it.

Lighting up the lamps

For Model HR2470F/2470FT

- Fig.2: 1. Lamp

⚠CAUTION:

- Do not look in the light or see the source of light directly.

To turn on the lamp, pull the trigger. Release the trigger to turn it off.

NOTE:

- Use a dry cloth to wipe the dirt off the lens of lamp. Be careful not to scratch the lens of lamp, or it may lower the illumination.

Reversing switch action

- Fig.3: 1. Reversing switch lever

⚠CAUTION:

- Always check the direction of rotation before operation.
- Use the reversing switch only after the tool comes to a complete stop. Changing the direction of rotation before the tool stops may damage the tool.
- If the switch trigger can not be depressed, check to see that the reversing switch is fully set to position ◀ (A side) or ▶ (B side).

This tool has a reversing switch to change the direction of rotation. Move the reversing switch lever to the ◀ position (A side) for clockwise rotation or the ▶ position (B side) for counterclockwise rotation.

Changing the quick change chuck for SDS-plus

For model HR2470T/HR2470FT



The quick change chuck for SDS-plus can be easily exchanged for the quick change drill chuck.

Removing the quick change chuck for SDS-plus

- Fig.4: 1. Quick change chuck for SDS-plus
2. Change cover line 3. Change cover


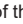
⚠CAUTION:


- Before removing the quick change chuck for SDS-plus, always remove the bit.

Grasp the change cover of the quick change chuck for SDS-plus and turn in the direction of the arrow until the change cover line moves from the  symbol to the  symbol. Pull forcefully in the direction of the arrow.

Attaching the quick change drill chuck

- Fig.5: 1. Spindle 2. Quick change drill chuck
3. Change cover line 4. Change cover


Check the line of the quick change drill chuck shows the  symbol. Grasp the change cover of the quick change drill chuck and set the line to the  symbol. Place the quick change drill chuck on the spindle of the tool.

Grasp the change cover of the quick change drill chuck and turn the change cover line to the  symbol until a click can clearly be heard.

Selecting the action mode


Rotation with hammering

► **Fig.6:** 1. Lock button 2. Action mode changing knob

For drilling in concrete, masonry, etc., depress the lock button and rotate the action mode changing knob to the  symbol. Use a tungsten-carbide tipped bit.


Rotation only

► **Fig.7:** 1. Rotation only

For drilling in wood, metal or plastic materials, depress the lock button and rotate the action mode changing knob to the  symbol. Use a twist drill bit or wood bit.

Hammering only

► **Fig.8:** 1. Hammering only

For chipping, scaling or demolition operations, depress the lock button and rotate the action mode changing knob to the  symbol. Use a bull point, cold chisel, scaling chisel, etc.

⚠ CAUTION:

- Do not rotate the action mode changing knob when the tool is running under load. The tool will be damaged.
- To avoid rapid wear on the mode change mechanism, be sure that the action mode changing knob is always positively located in one of the three action mode positions.

Torque limiter

The torque limiter will actuate when a certain torque level is reached. The motor will disengage from the output shaft. When this happens, the bit will stop turning.

⚠ CAUTION:

- As soon as the torque limiter actuates, switch off the tool immediately. This will help prevent premature wear of the tool.
- Bits such as hole saw, which tend to pinch or catch easily in the hole, are not appropriate for this tool. This is because they will cause the torque limiter to actuate too frequently.

ASSEMBLY

⚠ CAUTION:

- Always be sure that the tool is switched off and unplugged before carrying out any work on the tool.

Side grip (auxiliary handle)

► **Fig.9:** 1. Grip base 2. Side grip 3. Loosen 4. Tighten 5. Teeth 6. Protrusion

⚠ CAUTION:

- Always use the side grip to ensure operating safety.

Install the side grip so that the teeth on the grip fit in between the protrusions on the tool barrel. Then tighten the grip by turning clockwise at the desired position. It may be swung 360° so as to be secured at any position.

Bit grease

Coat the bit shank head beforehand with a small amount of bit grease (about 0.5 - 1 g). This chuck lubrication assures smooth action and longer service life.

Installing or removing the bit

► **Fig.10:** 1. Bit shank 2. Bit grease

Clean the bit shank and apply bit grease before installing the bit.

► **Fig.11:** 1. Bit 2. Chuck cover

Insert the bit into the tool. Turn the bit and push it in until it engages.


After installing, always make sure that the bit is securely held in place by trying to pull it out.

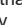
To remove the bit, pull the chuck cover down all the way and pull the bit out.

► **Fig.12:** 1. Bit 2. Chuck cover

Bit angle (when chipping, scaling or demolishing)

► **Fig.13:** 1. Lock button 2. Action mode changing knob

The bit can be secured at the desired angle. To change the bit angle, depress the lock button and rotate the action mode changing knob to the  symbol. Turn the bit to the desired angle.

Depress the lock button and rotate the action mode changing knob to the  symbol. Then make sure that the bit is securely held in place by turning it slightly.

► **Fig.14**

Depth gauge

► **Fig.15:** 1. Depth gauge

The depth gauge is convenient for drilling holes of uniform depth. Loosen the side grip and insert the depth gauge into the hole in the side grip. Adjust the depth gauge to the desired depth and tighten the side grip.

NOTE:

- The depth gauge cannot be used at the position where the depth gauge strikes against the gear housing.

Dust cup

► Fig.16: 1. Dust cup


Use the dust cup to prevent dust from falling over the tool and on yourself when performing overhead drilling operations. Attach the dust cup to the bit as shown in the figure. The size of bits which the dust cup can be attached to is as follows.

	Bit diameter
Dust cup 5	6 mm - 14.5 mm
Dust cup 9	12 mm - 16 mm

OPERATION

Hammer drilling operation

► Fig.17

Set the action mode changing knob to the  symbol. Position the bit at the desired location for the hole, then pull the switch trigger.

Do not force the tool. Light pressure gives best results. Keep the tool in position and prevent it from slipping away from the hole.

Do not apply more pressure when the hole becomes clogged with chips or particles. Instead, run the tool at an idle, then remove the bit partially from the hole. By repeating this several times, the hole will be cleaned out and normal drilling may be resumed.

▲CAUTION:

- There is a tremendous and sudden twisting force exerted on the tool/bit at the time of hole break-through, when the hole becomes clogged with chips and particles, or when striking reinforcing rods embedded in the concrete. Always use the side grip (auxiliary handle) and firmly hold the tool by both side grip and switch handle during operations. Failure to do so may result in the loss of control of the tool and potentially severe injury.

NOTE: Eccentricity in the bit rotation may occur while operating the tool with no load. The tool automatically centers itself during operation. This does not affect the drilling precision.


Blow-out bulb (optional accessory)

► Fig.18: 1. Blow-out bulb

After drilling the hole, use the blow-out bulb to clean the dust out of the hole.

Chipping/Scaling/Demolition

► Fig.19

Set the action mode changing knob to the  symbol. Hold the tool firmly with both hands. Turn the tool on and apply slight pressure on the tool so that the tool will not bounce around, uncontrolled. Pressing very hard on the tool will not increase the efficiency.

Drilling in wood or metal

► Fig.20: 1. Chuck adapter 2. Keyless drill chuck

► Fig.21: 1. Quick change chuck for SDS-plus 2. Change cover line 3. Change cover

► Fig.22: 1. Spindle 2. Quick change drill chuck 3. Change cover line 4. Change cover

► Fig.23: 1. Sleeve 2. Ring 3. Quick change drill chuck


For Model HR2470/HR2470F

Use the optional drill chuck assembly. When installing it, refer to "Installing or removing the bit" described on the previous page.

For model HR2470T/HR2470FT

Use the quick change drill chuck as standard equipment. When installing it, refer to "changing the quick change chuck for SDS-plus" described on the previous page.

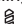
Hold the ring and turn the sleeve counterclockwise to open the chuck jaws. Place the bit in the chuck as far as it will go. Hold the ring firmly and turn the sleeve clockwise to tighten the chuck. To remove the bit, hold the ring and turn the sleeve counterclockwise.

Set the action mode changing knob to the  symbol. You can drill up to 13 mm diameter in metal and up to 32 mm diameter in wood.

▲CAUTION:

- Never use "rotation with hammering" when the quick change drill chuck is installed on the tool. The quick change drill chuck may be damaged. Also, the drill chuck will come off when reversing the tool.
- Pressing excessively on the tool will not speed up the drilling. In fact, this excessive pressure will only serve to damage the tip of your bit, decrease the tool performance and shorten the service life of the tool.
- There is a tremendous twisting force exerted on the tool/bit at the time of hole breakthrough. Hold the tool firmly and exert care when the bit begins to break through the workpiece.
- A stuck bit can be removed simply by setting the reversing switch to reverse rotation in order to back out. However, the tool may back out abruptly if you do not hold it firmly.
- Always secure small workpieces in a vise or similar hold-down device.

Diamond core drilling

When performing diamond core drilling operations, always set the change lever to the  position to use "rotation only" action.

▲CAUTION:

- If performing diamond core drilling operations using "rotation with hammering" action, the diamond core bit may be damaged.

MAINTENANCE

⚠ CAUTION:

- Always be sure that the tool is switched off and unplugged before attempting to perform inspection or maintenance.
- Never use gasoline, benzine, thinner, alcohol or the like. Discoloration, deformation or cracks may result.

To maintain product SAFETY and RELIABILITY, repairs, carbon brush inspection and replacement, any other maintenance or adjustment should be performed by Makita Authorized Service Centers, always using Makita replacement parts.

OPTIONAL ACCESSORIES

⚠ CAUTION:

- These accessories or attachments are recommended for use with your Makita tool specified in this manual. The use of any other accessories or attachments might present a risk of injury to persons. Only use accessory or attachment for its stated purpose.

If you need any assistance for more details regarding these accessories, ask your local Makita Service Center.

- SDS-Plus Carbide-tipped bits
- Bull point
- Cold chisel
- Scaling chisel
- Grooving chisel
- Drill chuck assembly
- Drill chuck S13
- Chuck adapter
- Chuck key S13
- Bit grease
- Side grip
- Depth gauge
- Blow-out bulb
- Dust cup
- Dust extractor attachment
- Safety goggles
- Plastic carrying case
- Keyless drill chuck

NOTE:

- Some items in the list may be included in the tool package as standard accessories. They may differ from country to country.

规格

型号		HR2470/ HR2470F	HR2470T/ HR2470FT
能力	混凝土	碳化钨钻头	24 mm
		空心钻	54 mm
		金刚石空心钻 (干式)	65 mm
	钢材		13 mm
	木材		32 mm
空载速度 (/min)		0 - 1,100	
每分钟锤击数		0 - 4,500	
长度		370 mm	394 mm
净重		2.9 kg	3.0 kg
安全等级		回//	

- 生产者保留变更规格不另行通知之权利。
- 规格可能因销往国家之不同而异。
- 重量符合EPTA-Procedure 01/2003

符号

以下显示本工具使用的符号。在使用工具之前请务必理解其含义。



阅读使用说明书。



双重绝缘



仅限于欧盟国家
请勿将电气设备与家庭普通废弃物一同丢弃！请务必遵守欧洲关于废弃电子电气设备的指令，根据各国法律法规执行。达到使用寿命的电气设备必须分类回收至符合环境保护规定的再循环机构。

用途

本工具用于在砖块、混凝土和石头中的冲击钻孔以及开凿工作。
也适用于木材、金属、陶瓷和塑料中的无冲击钻孔。

电源

本工具只可连接电压与铭牌所示电压相同的电源，且仅可使用单相交流电源。本工具双重绝缘，因此也可用于不带接地线的插座。

电动工具通用安全警告

⚠警告！阅读所有警告和所有说明。 不遵照以下警告和说明会导致电击、着火和 / 或严重伤害。

保存所有警告和说明书以备查阅。

在所有下列的警告中术语“电动工具”指市电驱动（有线）电动工具或电池驱动（无线）电动工具。

工作场地的安全

1. 保持工作场地清洁和明亮。混乱和黑暗的场地会引发事故。
2. 不要在易爆环境，如有易燃液体、气体或粉尘的环境下操作电动工具。电动工具产生的火花会点燃粉尘或气体。
3. 让儿童和旁观者离开后操作电动工具。注意力不集中会使操作者失去对工具的控制。

电气安全

4. 电动工具插头必须与插座相配。绝不能以任何方式改装插头。需接地的电动工具不能使用任何转换插头。未经改装的插头和相配的插座将减少电击危险。

5. 避免人体接触接地表面，如管道、散热片和冰箱。如果你身体接地会增加电击危险。
6. 不得将电动工具暴露在雨中或潮湿环境中。水进入电动工具将增加电击危险。
7. 不得滥用电线。绝不能用电线搬运、拉动电动工具或拔出其插头。使电线远离热源、油、锐边或运动部件。受损或缠绕的软线会增加电击危险。
8. 当在户外使用电动工具时，使用适合户外使用的外接软线。适合户外使用的软线将减少电击危险。
9. 如果在潮湿环境下操作电动工具是不可避免的，应使用剩余电流动作保护器（RCD）。使用RCD可减少电击危险。
10. 始终建议通过额定剩余电流为30mA或以下的RCD来使用电源。

人身安全

11. 保持警觉，当操作电动工具时关注所从事的操作并保持清醒。当你感到疲倦，或在有药物、酒精或治疗反应时，不要操作电动工具。在操作电动工具时瞬间的疏忽会导致严重人身伤害。
12. 使用个人防护装置。始终佩戴护目镜。安全装置，诸如适当条件下使用防尘面具、防滑安全鞋、安全帽、听力防护等装置能减少人身伤害。
13. 防止意外起动。确保开关在连接电源和/或电池盒、拿起或搬运工具时处于关断位置。手指放在已接通电源的开关上或开关处于接通时插入插头可能会导致危险。
14. 在电动工具接通之前，拿掉所有调节钥匙或扳手。遗留在电动工具旋转零件上的扳手或钥匙会导致人身伤害。
15. 手不要伸展得太长。时刻注意立足点和身体平衡。这样在意外情况下能很好地控制电动工具。
16. 着装适当。不要穿宽松衣服或佩戴饰品。让衣服、手套和头发远离运动部件。宽松衣服、佩饰或长发可能会卷入运动部件中。
17. 如果提供了与排屑、集尘设备连接用的装置，要确保他们连接完好且使用得当。使用这些装置可减少尘屑引起的危险。

电动工具使用和注意事项

18. 不要滥用电动工具，根据用途使用适当的电动工具。选用适当设计的电动工具会使你工作更有效、更安全。

19. 如果开关不能接通或关断工具电源，则不能使用该电动工具。不能用开关来控制电动工具是危险的且必须进行修理。
20. 在进行任何调节、更换附件或贮存电动工具之前，必须从电源上拔掉插头和/或使电池盒与工具脱开。这种防护性措施将减少工具意外起动的危险。
21. 将闲置不用的电动工具贮存在儿童所及范围之外，并且不要让不熟悉电动工具或对这些说明不了解的人操作电动工具。电动工具在未经培训的用户手中是危险的。
22. 保养电动工具。检查运动件是否调整到位或卡住，检查零件破损情况和影响电动工具运行的其他状况。如有损坏，电动工具应在使用前修理好。许多事故由维护不良的电动工具引发。
23. 保持切削刀具锋利和清洁。保养良好的有锋利切削刃的刀具不易卡住而且容易控制。
24. 按照使用说明书，考虑作业条件和进行的作业来使用电动工具、附件和工具的刀头等。将电动工具用于那些与其用途不符的操作可能会导致危险。

维修

25. 将你的电动工具送交专业维修人员，使用同样的备件进行修理。这样将确保所维修的电动工具的安全性。
26. 上润滑油及更换附件时请遵循本说明书指示。
27. 手柄务必保持干燥、清洁、无油（脂）。

锤类工具的安全警告

1. 戴好耳罩。暴露在噪声中会引起听力损伤。
2. 使用随工具提供的辅助手柄。操作失手会引起人身伤害。
3. 在切削附件可能触及暗线或其自身软线之处进行操作时，要通过绝缘握持面来握持工具。切削附件碰到带电导线会使工具外露的金属零件带电从而使操作者受到电击。
4. 请佩戴硬质帽子（安全头盔）、安全眼镜和/或面罩。普通眼镜或太阳眼镜并非安全眼镜。强烈建议您佩戴防尘面罩和厚手套。
5. 请在操作前确保钻头到位。
6. 该工具在正常操作下是用来产生振动。螺丝容易松动，造成故障或事故。操作前仔细检查螺钉的紧固度。

7. 在寒冷天气或该工具长时间未使用时，请在无负载下运行该工具以让其预热一会。这会提升润滑度。若没有适当预热，钻孔操作会很困难。
8. 请务必确保立足稳固。在高处使用工具时确保下方无人。
9. 需用双手握紧工具。
10. 手应远离移动的部件。
11. 运行中的工具不可离手放置。只可在手握工具的情况下操作工具。
12. 操作时请勿将工具对准近旁任何人。钻头会飞出以致严重伤害他人。
13. 操作之后，请勿立刻触摸钻头或靠近钻头的工件，因为它们可能会非常烫而导致烫伤皮肤。
14. 某些材料含有有毒化学物质。小心不要吸入粉尘，并避免皮肤接触。遵循材料供应商的安全提示。

请保留此说明书。

警告： 请勿为图方便或因对产品足够熟悉（由于重复使用而获得的经验）而不严格遵循相关产品安全规则。使用不当或不遵循使用说明书中的安全规则会导致严重的人身伤害。

功能描述

小心：

- 在调节或检查工具功能之前，请务必关闭工具电源开关并拔下电源插头。

开关操作

- 图片1: 1. 开关扳机 2. 锁定按钮

小心：

- 插上工具电源插头之前，请务必确认开关扳机能够正常工作，松开时能回到“OFF”（关闭）位置。

启动工具时，只要扣动开关扳机即可。随着在开关扳机上施加压力的增大，工具速度会提高。松开开关扳机工具即停止。连续操作时，扣动开关扳机并按下锁定按钮。要从锁定位置停止工具时，可将开关扳机扣到底，然后松开。

点亮照明灯

用于HR2470F/2470FT型

- 图片2: 1. 照明灯

小心：

- 请勿直视灯光或光源。

扣动扳机打开照明灯。松开扳机关闭照明灯。

注：

- 请用干布清除灯面上的灰尘。注意不要刮花灯镜面，否则会降低照明亮度。

反转开关操作

- 图片3: 1. 反转切换柄

小心：

- 请在操作前务必检查旋转方向。
- 请在工具完全停止后使用反转开关。在工具停止前改变旋转方向可能会损坏工具。
- 若开关扳机无法扣动，请检查反转开关是否完全拨在◁位置（A侧）或▷位置（B侧）。

本工具设有反转开关，可改变旋转方向。向◁位置（A侧）按压反转切换柄可进行顺时针方向旋转或向▷位置（B侧）按压进行逆时针方向旋转。

更换SDS-plus的快换式卡盘

用于HR2470T/HR2470FT型

SDS-plus的快换式卡盘可以轻松替换为快换式钻机卡盘。

拆卸SDS-plus快换式卡盘

- 图片4: 1. SDS-plus快换式卡盘 2. 更换盖线 3. 更换盖



小心：


- 在拆卸SDS-plus快换式卡盘前，请务必拆卸钻头。

抓住SDS-plus快换式卡盘的更换盖，并按箭头方向旋转直至更换盖线从▲符号移动到■符号。朝箭头方向使劲拉。

安装快换式钻机卡盘


- **图片5:** 1. 主轴 2. 快换式钻机卡盘 3. 更换盖线 4. 更换盖

检查快换式钻机卡盘的线显示  符号。抓住快换式钻机卡盘的更换盖，并将线设置在  符号上。


将快换式钻机卡盘放在工具主轴上。抓住快换式钻机卡盘的更换盖，将更换盖线旋转至  符号直至听到一声咔哒声。

选择动作模式

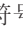
旋转并冲击

- **图片6:** 1. 锁定按钮 2. 动作模式变换钮
若要在混凝土、石材等上钻孔，请按下锁定按钮并旋转动作模式变换钮至  符号的位置。请使用碳化钨钻头。

仅旋转

- **图片7:** 1. 仅旋转
若要在木材、金属或塑料上钻孔，请按下锁定按钮并旋转动作模式变换钮至  符号的位置。请使用麻花钻头或木钻头。

仅冲击

- **图片8:** 1. 仅冲击
若要进行切削、刮或拆除，请按下锁定按钮并旋转动作模式变换钮至  符号的位置。使用尖凿、冷凿、铲锈凿等。

小心:

- 不可在工具负载运转时旋转动作模式变换钮。否则会损坏工具。
- 为避免模式变换机制磨损过快，请确保动作模式变换钮始终处在三个动作模式位置上的一个。

扭矩限制器

达到一定扭矩水平扭矩限制器便会启动。电机从输出轴脱离。这时钻头将会停止旋转。

小心:

- 扭矩限制器启动时，请立即关闭工具。这有助于防止工具过早磨损。
- 本工具不宜使用孔锯等容易卡入孔中的钻头。此类部件会致使扭矩限制器频繁动作。

装配

小心:

- 对工具进行任何装配操作前请务必确认工具已关闭且已拔下电源插头。

侧把手（辅助手柄）

- **图片9:** 1. 把手基座 2. 侧把手 3. 拧松 4. 拧紧 5. 齿 6. 凸起部分

小心:

- 请务必使用侧把手以保证操作安全。

安装侧把手时，请将把手的齿嵌入工具的凸起之间。然后顺时针旋紧把手至适当位置。把手可以360°旋转到任何一面，因此可以固定在任何位置。

钻头润滑脂

请预先在钻头柄上涂抹少量（约0.5 g至1 g）钻头润滑脂。
卡盘润滑确保了顺利操作和更长的使用寿命。

安装或拆卸钻头

- **图片10:** 1. 钻头柄 2. 钻头润滑脂

在安装钻头前，请清洁钻头柄并涂上钻头润滑脂。

- **图片11:** 1. 钻头 2. 卡盘盖

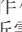

将钻头插入工具中。将钻头旋转推入直到完全啮合。

安装钻头后，请尝试将其拔出以确保钻头牢固。

若要拆卸钻头，请下拉卡盘盖不放松然后将钻头拔出。

- **图片12:** 1. 钻头 2. 卡盘盖

钻头角度（切削、刮或拆除时）

- **图片13:** 1. 锁定按钮 2. 动作模式变换钮
钻头可固定在需要的角度。若要改变钻头角度，请按下锁定按钮并旋转动作模式变换钮至  符号的位置。旋转钻头至所需角度。请按下锁定按钮并旋转动作模式变换钮至  符号的位置。轻轻旋转钻头以确保钻头牢固在位置上。

- **图片14**

深度规

► 图片15: 1. 深度规

深度规是一种使用方便，可确保钻孔深度统一的工具。拧松侧把手，并将深度规插入侧把手的孔中。调整深度规到所需深度并拧紧侧把手。

注:

- 如操作位置会造成深度规撞击齿轮箱，则请勿使用深度规。

集尘杯

► 图片16: 1. 集尘杯

在执行头顶钻孔操作时，请使用集尘杯以防止灰尘落在工具或您身上。请依图示将集尘杯安装在钻头上。可以安装集尘杯的钻头尺寸如下。

	钻头直径
集尘杯 5	6 mm - 14.5 mm
集尘杯 9	12 mm - 16 mm

操作

冲击钻孔操作

► 图片17

将动作模式变换钮设置在  符号一侧。

将钻头对准孔的适当位置，然后扣动开关扳机。

不要强力按压工具。最好轻轻按压。将工具保持在位置上，防止从孔中滑离。

当孔中有碎屑堵塞时请不要增加压力。相反，请怠速旋转工具，然后逐渐从孔中取出钻头。重复此操作数次之后，钻孔将被清理干净，可重新开始钻孔。

⚠小心:

- 钻穿时若钻孔被碎片或粉屑堵塞或冲击到混凝土中的钢筋，工具 / 钻头会受到极大的突然扭力。操作期间，请务必同时抓牢侧把手（辅助手柄）和开关手柄，紧紧握住工具。否则可能造成工具失控和严重伤害。

注: 工具在无负载下操作时，钻头旋转可能会偏离中心。操作期间该工具会自动对准中心。这不影响钻孔的精确度。

吹气球（选购附件）

► 图片18: 1. 吹气球

钻孔后用吹气球清除孔眼中的尘土。

切削、刮或拆除

► 图片19

将动作模式变换钮设置在  符号一侧。

需用双手握紧工具。打开工具，轻轻施加压力，这样该工具就不会不受控制地弹跳。使劲按压工具不会增加效果。

木材或金属钻孔

► 图片20: 1. 卡盘适配器 2. 手紧式钻机卡盘

► 图片21: 1. SDS-plus快换式卡盘 2. 更换盖线 3. 更换盖

► 图片22: 1. 主轴 2. 快换式钻机卡盘 3. 更换盖线 4. 更换盖

► 图片23: 1. 套筒 2. 挡圈 3. 快换式钻机卡盘

用于HR2470/HR2470F型

使用选购的钻机卡盘组件。安装时请参阅前页的“安装或拆卸钻头”。

用于HR2470T/HR2470FT型

使用属于标准设备的快换式钻机卡盘。安装时请参阅前页的“更换 SDS-plus 的快换式卡盘”。

握住挡圈，逆时针旋转套筒打开卡盘爪。尽量将钻头放入卡盘最里侧。紧紧握住挡圈，顺时针转动套筒旋紧卡盘。要卸下钻头时，握住挡圈然后逆时针旋转套筒。


将动作模式变换钮设置在  符号一侧。

金属钻孔可达13mm，木材钻孔可达32mm。

⚠小心：

- 当有钻机卡盘安装在本工具上时，切勿使用“旋转并冲击”。可能会损坏快换式钻机卡盘。同样，反转工具时钻机卡盘会脱落。
- 过分用力按压工具并不会提高钻孔效率。事实上，过大的压力只会损坏钻头尖，降低工具性能，缩短工具使用寿命。
- 钻穿时工具 / 钻头会受到极大的突然扭力。钻头即将钻穿工件时需握紧工具，注意力集中。
- 取出卡住的钻头时，只需将反转开关设为反向旋转便可退出工具。但如果不够紧紧握住工具，工具可能突然退出。
- 请务必用虎钳或类似夹紧装置固定小型工件。

金刚石空心钻

采用金刚石空心钻进行钻孔操作时，请务必将变换杆设于  位置，选择“仅旋转”动作模式。

⚠小心：

- 如选择“旋转并冲击”的动作模式，金刚石空心钻可能受损。

保养

⚠小心：

- 检查或保养工具之前，请务必关闭工具电源开关并拔下插头。
- 切勿使用汽油、苯、稀释剂、酒精或类似物品清洁工具。否则可能会导致工具变色、变形或出现裂缝。

为了保证产品的安全性与可靠性，任何维修、碳刷检查、更换部件或其它维修保养工作需由Makita（牧田）授权服务中心完成。务必使用Makita（牧田）的替换部件。

选购附件

⚠小心：

- 这些附件或装置专用于本说明书所列的Makita（牧田）电动工具。其他附件或装置的使用可能会有人身伤害风险。仅可将附件或装置用于规定目的。

如果您需要了解更多关于这些选购附件的信息，请咨询当地的Makita（牧田）维修服务中心。

- SDS碳化钻头
- 尖凿
- 冷凿
- 铲锈凿
- 开槽凿
- 钻机卡盘组件
- 钻机卡盘S13
- 卡盘适配器
- 卡盘键S13
- 钻头润滑脂
- 侧把手
- 深度规
- 吹气球
- 集尘杯
- 除尘装置
- 安全护目镜
- 塑料携带箱
- 手紧式钻机卡盘

注：

- 本列表中的一些部件可能作为标准配件包含于工具包装内。它们可能因销往国家之不同而异。

SPEKIFIKASI

Model		HR2470/HR2470F	HR2470T/HR2470FT
Kapasitas	Beton	Mata mesin bor berujung tungsten-carbide	24 mm
		Mata mesin bor berteras	54 mm
		Mata mesin bor berteras intan (tipe kering)	65 mm
	Baja	13 mm	
	Kayu	32 mm	
Kecepatan tanpa beban (min ⁻¹)		0 - 1.100	
Hantaman per menit		0 - 4.500	
Panjang keseluruhan		370 mm	394 mm
Berat bersih		2,9 kg	3,0 kg
Kelas keamanan		□/II	

- Karena kami terus melakukan program penelitian dan pengembangan, spesifikasi yang disebutkan di sini mungkin berubah tanpa pemberitahuan.
- Spesifikasi dapat berbeda dari satu negara ke negara lainnya.
- Berat menurut Prosedur EPTA 01/2003

Simbol

Berikut ini adalah simbol-simbol yang digunakan pada peralatan ini. Pastikan Anda memahami arti masing-masing simbol sebelum menggunakan alat.



Baca petunjuk penggunaan.



ISOLASI GANDA



Hanya untuk negara-negara Uni Eropa
Jangan membuang peralatan listrik atau baterai bersama-sama dengan bahan limbah rumah tangga! Dengan memerhatikan Petunjuk Eropa, tentang Limbah Peralatan Listrik dan Elektronik serta pelaksanaannya sesuai dengan ketentuan hukum nasional, peralatan listrik yang telah habis umurnya harus dikumpulkan secara terpisah dan dikembalikan ke fasilitas daur ulang yang kompatibel secara lingkungan.

Tujuan penggunaan

Mesin ini digunakan untuk pengeboran dengan getas dan mengebor batu bata, beton dan batu serta pekerjaan pemahatan.

Juga cocok untuk pengeboran tanpa hentakan pada kayu, logam, keramik dan plastik.

Pasokan daya

Mesin harus terhubung dengan pasokan daya listrik yang bervoltase sama dengan yang tertera pada pelat nama, dan hanya dapat dijalankan dengan listrik AC fase tunggal. Mesin diisolasi ganda sehingga dapat juga dihubungkan dengan soket tanpa kabel arde.

Peringatan Keselamatan Umum Mesin Listrik

⚠ PERINGATAN Bacalah semua peringatan keselamatan dan semua petunjuk. Kelalaian mematuhi peringatan dan petunjuk dapat menyebabkan sengatan listrik, kebakaran dan/atau cedera serius.

Simpanlah semua peringatan dan petunjuk untuk acuan di masa depan.

Istilah “mesin listrik” dalam semua peringatan mengacu pada mesin listrik yang dijalankan dengan sumber listrik jala-jala (berkabel) atau baterai (tanpa kabel).

Keselamatan tempat kerja

1. **Jaga tempat kerja selalu bersih dan berpenerangan cukup.** Tempat kerja yang berantakan dan gelap mengundang kecelakaan.
2. **Jangan gunakan mesin listrik dalam lingkungan yang mudah meledak, misalnya terdapat cairan, gas, atau debu yang mudah terbakar.** Mesin listrik menimbulkan bunga api yang dapat membakar debu atau uap tersebut.
3. **Jauhkan anak-anak dan orang lain saat menggunakan mesin listrik.** Jika perhatian terpecah, Anda mungkin saja kehilangan kendali.

Keamanan Kelistrikan

4. **Steker mesin listrik harus cocok dengan stopkontak. Jangan sekali-kali mengubah steker dengan cara apa pun. Jangan menggunakan steker adaptor dengan mesin listrik yang terbumi (dibumikan).** Steker yang tidak diubah dan stopkontak yang cocok akan mengurangi risiko sengatan listrik.

5. **Hindari sentuhan tubuh dengan permukaan yang terbumi atau dibumikan seperti pipa, radiator, kompor, dan kulkas.** Risiko sengatan listrik bertambah jika ada bagian tubuh Anda yang menyentuh bumi atau tanah.
6. **Jangan membiarkan mesin listrik kehujanan atau basah.** Air yang masuk ke dalam mesin listrik akan meningkatkan risiko sengatan listrik.
7. **Jangan menyalahgunakan kabel.** Jangan sekali-kali menggunakan kabel untuk membawa, menarik, atau mencabut mesin listrik dari stopkontak. Jauhkan kabel dari panas, minyak, tepian tajam, atau bagian yang bergerak. Kabel yang rusak atau kusut memperbesar risiko sengatan listrik.
8. **Jika menggunakan mesin listrik di luar ruangan, gunakan kabel ekstensi yang sesuai dengan penggunaan di luar ruangan.** Menggunakan kabel yang sesuai dengan penggunaan luar ruangan akan mengurangi risiko sengatan listrik.
9. **Jika mengoperasikan mesin listrik di lokasi lembap tidak terhindarkan, gunakan pasokan daya yang dilindungi peranti imbasan arus (residual current device - RCD).** Penggunaan RCD mengurangi risiko sengatan listrik.
10. **Disarankan untuk menggunakan pasokan daya melalui RCD dengan kapasitas arus sisa 30mA atau kurang.**

Keselamatan Diri

11. **Jaga kewaspadaan, perhatikan pekerjaan Anda dan gunakan akal sehat saat menggunakan mesin listrik.** Jangan menggunakan mesin listrik saat Anda lelah atau di bawah pengaruh obat-obatan, alkohol, atau dalam masa pengobatan. Sesaat saja Anda lalai saat menggunakan mesin listrik dapat menyebabkan cedera badan serius.
12. **Gunakan alat pelindung diri. Selalu gunakan pelindung mata.** Penggunaan peralatan pelindung seperti masker debu, sepatu pengaman anti-selip, helm pengaman, atau pelindung telinga untuk kondisi yang sesuai akan mengurangi risiko cedera badan.
13. **Cegah penyalaaan yang tidak disengaja. Pastikan bahwa sakelar berada dalam posisi mati (off) sebelum menghubungkan mesin ke sumber daya dan/atau paket baterai, mengangkat, atau membawanya.** Membawa mesin listrik dengan jari berada di sakelar atau mengalirkan listrik pada mesin listrik dengan sakelar hidup (on) akan mengundang kecelakaan.
14. **Lepaskan kunci-kunci penyetel sebelum menghidupkan mesin listrik.** Kunci-kunci yang masih terpasang pada bagian mesin listrik yang berputar dapat menyebabkan cedera.
15. **Jangan meraih terlalu jauh. Selalu jagalah pijakan dan keseimbangan.** Hal ini memungkinkan pengendalian mesin listrik yang lebih baik dalam situasi yang tidak diharapkan.

16. **Kenakan pakaian dengan baik. Jangan memakai pakaian yang kedodoran atau perhiasan. Jaga jarak antara rambut, pakaian, dan sarung tangan Anda dengan bagian mesin yang bergerak.** Pakaian kedodoran, perhiasan, atau rambut panjang dapat tersangkut pada bagian yang bergerak.
17. **Jika pada peranti tersedia fasilitas untuk menghisap dan mengumpulkan debu, pastikan fasilitas tersebut terhubung listrik dan digunakan dengan baik.** Penggunaan pembersih debu dapat mengurangi bahaya yang terkait dengan debu.

Penggunaan dan pemeliharaan mesin listrik

18. **Jangan memaksa mesin listrik. Gunakan mesin listrik yang tepat untuk keperluan Anda.** Mesin listrik yang tepat akan menuntaskan pekerjaan dengan lebih baik dan aman jika pada kecepatan sesuai rancangannya.
19. **Jangan menggunakan mesin listrik jika sakelar tidak dapat menyala dan mematakannya.** Mesin listrik yang tidak dapat dikendalikan dengan sakelarnya akan berbahaya dan harus diperbaiki.
20. **Cabut steker dari sumber listrik dan/atau paket baterai dari mesin listrik sebelum melakukan penyetelan, penggantian aksesoris, atau menyimpan mesin listrik.** Langkah keselamatan preventif tersebut mengurangi risiko hidupnya mesin secara tak sengaja.
21. **Simpan mesin listrik jauh dari jangkauan anak-anak dan jangan biarkan orang yang tidak paham mengenai mesin listrik tersebut atau petunjuk ini untuk menggunakan mesin listrik.** Mesin listrik sangat berbahaya di tangan pengguna yang tidak terlatih.
22. **Rawatlah mesin listrik. Periksa apakah ada bagian bergerak yang tidak sejajar atau macet, bagian yang pecah, dan kondisi lain yang dapat memengaruhi penggunaan mesin listrik. Jika rusak, perbaiki mesin listrik terlebih dahulu sebelum digunakan.** Banyak kecelakaan disebabkan oleh kurangnya pemeliharaan mesin listrik.
23. **Jaga agar mesin pemotong tetap tajam dan bersih.** Mesin pemotong yang terawat baik dengan mata pemotong yang tajam tidak mudah macet dan lebih mudah dikendalikan.
24. **Gunakan mesin listrik, aksesoris, dan mata mesin, dll. berdasarkan petunjuk ini, dengan memperhitungkan kondisi kerja dan jenis pekerjaan yang dilakukan.** Pemakaian mesin listrik untuk penggunaan selain yang diperuntukkan dapat menimbulkan situasi berbahaya.

Servis

25. **Bawa mesin listrik untuk diperbaiki hanya kepada oleh teknisi yang berkualifikasi menggunakan hanya suku cadang pengganti yang serupa.** Hal ini akan menjamin terjaganya keamanan mesin listrik.
26. **Patuhi petunjuk pelumasan dan penggantian aksesoris.**
27. **Jagalah agar gagang kering, bersih, serta bebas dari minyak dan gemuk.**

PERINGATAN KESELAMATAN MESIN BOR GETAR ROTARI

1. Kenakan pelindung telinga. Terpaan kebisingan dapat menyebabkan hilangnya pendengaran.
2. Gunakan gagang tambahan, jika disertakan bersama mesin ini. Kehilangan kendali dapat menyebabkan cedera.
3. Pegang mesin listrik pada permukaan genggam yang terisolasi saat melakukan pekerjaan bila mesin pemotong mungkin bersentuhan dengan kawat tersembunyi atau kabelnya sendiri. Aksesori pemotong yang menyentuh kawat "hidup" dapat menyebabkan bagian logam pada mesin teraliri arus listrik dan menyengat pengguna.
4. Kenakan helm pengaman, kaca mata pengaman dan/atau pelindung muka. Kaca mata biasa atau kaca mata hitam BUKANLAH kaca mata pengaman. Anda sangat dianjurkan untuk mengenakan masker debu dan sarung tangan tebal.
5. Pastikan mata mesin terpasang pada tempatnya sebelum penggunaan.
6. Pada penggunaan normal, mesin dirancang untuk menghasilkan getaran. Sekrup bisa menjadi longgar dengan mudah, menyebabkan kerusakan atau kecelakaan. Periksa kekencangan sekrup sebelum penggunaan.
7. Pada cuaca dingin atau ketika mesin telah lama tidak digunakan, lakukan pemanasan pada mesin beberapa saat dengan mengoperasikannya tanpa beban. Hal ini akan memperlancar pelumasan. Tanpa pemanasan yang tepat, pengerjaan pembobokan menjadi sulit.
8. Selalu pastikan Anda berdiri pada pijakan yang stabil. Pastikan tidak ada orang berada di bawah Anda saat menggunakan mesin di tempat yang tinggi.
9. Pegang mesin kuat-kuat dengan kedua tangan.
10. Jauhkan tangan dari bagian yang berputar.
11. Jangan tinggalkan mesin dalam keadaan hidup. Jalankan mesin hanya ketika digenggam dengan tangan.
12. Jangan mengarahkan mesin pada siapa pun di tempat kerja ketika mengoperasikan. Mata mesin bisa terlempar dan melukai orang dengan serius.
13. Jangan menyentuh mata mesin atau bagian yang berdekatan dengan mata mesin segera setelah pengoperasian; suhunya mungkin masih sangat panas dan dapat membakar kulit Anda.
14. Bahan tertentu mengandung zat kimia yang mungkin beracun. Hindari menghirup debu dan kontak dengan kulit. Ikuti data keselamatan bahan dari pemasok.

SIMPAN PETUNJUK INI.

⚠ PERINGATAN: JANGAN biarkan kenyamanan atau terbiasanya Anda dengan produk (karena penggunaan berulang) mengurangi kepatuhan yang ketat terhadap aturan keselamatan untuk produk yang terkait. **PENYALAHGUNAAN** atau kelalaian dalam mematuhi aturan keselamatan yang tertera pada petunjuk ini dapat menyebabkan cedera badan serius.

DESKRIPSI FUNGSI

⚠ PERHATIAN:

- Selalu pastikan bahwa mesin dalam keadaan mati dan steker tercabut sebelum menyatel atau memeriksa kerja mesin.

Kerja sakelar

► **Gbr.1:** 1. Pelatuk sakelar 2. Tombol kunci

⚠ PERHATIAN:

- Sebelum memasukkan steker, selalu pastikan pelatuk sakelar berfungsi dengan baik dan kembali ke posisi "MATI" saat dilepas.

Untuk menjalankan mesin, cukup tarik pelatuk sakelar. Kecepatan mesin akan meningkat dengan menambah tekanan pada pelatuk sakelar. Lepaskan pelatuk sakelar untuk berhenti. Untuk penggunaan terus menerus, tarik pelatuk sakelar lalu tekan tombol kunci. Untuk membebaskan posisi terkunci, tarik pelatuk sakelar sampai penuh, lalu lepaskan.

Menyalakan lampu

Untuk Model HR2470F/2470FT

► **Gbr.2:** 1. Lampu

⚠ PERHATIAN:

- Jangan melihat lampu atau sumber cahaya secara langsung.

Untuk menyalakan lampu, tarik pelatuk sakelar. Lepaskan pelatuk untuk mematikan.

CATATAN:

- Gunakan kain kering untuk mengelap kotoran dari lensa lampu. Hati-hati jangan sampai menggores lensa lampu, atau hal tersebut dapat menurunkan tingkat penerangannya.

Kerja sakelar pembalik arah

► **Gbr.3:** 1. Tuas sakelar pembalik arah

⚠ **PERHATIAN:**

- Selalu periksa arah putaran sebelum digunakan.
- Gunakan sakelar pembalik arah hanya setelah mesin benar-benar berhenti. Mengubah arah putaran sebelum mesin berhenti dapat merusak mesin.
- Jika pelatuk sakelar tidak bisa ditekan, pastikan bahwa sakelar pembalik arah diposisikan sepenuhnya ke posisi ◀ (sisi A) atau ▶ (sisi B).

Mesin ini memiliki sakelar pembalik arah untuk mengubah arah putaran. Gerakkan tuas sakelar pembalik arah ke posisi ◀ (sisi A) untuk putaran searah jarum jam atau ▶ (sisi B) untuk putaran berlawanan arah jarum jam.

Mengganti cekam ganti cepat untuk SDS-plus

Untuk model HR2470T/HR2470FT



Cekam ganti cepat untuk SDS-plus dengan mudah bisa ditukar dengan cekam bor ganti cepat.

Melepas cekam ganti cepat untuk SDS-plus

► **Gbr.4:** 1. Cekam ganti cepat untuk SDS-plus
2. Garis tutup ganti 3. Tutup ganti



⚠ **PERHATIAN:**


- Sebelum melepas cekam ganti cepat untuk SDS-plus, selalu lepas mata mesin.

Genggam tutup ganti pada cekam ganti cepat untuk SDS-plus dan putar sesuai arah panah sampai garis tutup ganti bergerak dari simbol  ke simbol . Tarik dengan kuat sesuai arah panah.

Memasang cekam bor ganti cepat

► **Gbr.5:** 1. Spindel 2. Cekam bor ganti cepat 3. Garis tutup ganti 4. Tutup ganti


Periksa apakah garis cekam bor ganti cepat menunjukkan simbol . Genggam tutup ganti pada cekam bor ganti cepat dan posisikan garisnya ke simbol .

Pasang cekam bor ganti cepat pada spindel mesin. Genggam tutup ganti pada cekam bor ganti cepat dan putar garis tutup ganti ke simbol  sampai bisa terdengar bunyi klik dengan jelas.

Memilih mode kerja


Putaran dengan getar

► **Gbr.6:** 1. Tombol kunci 2. Tombol pengubah mode kerja

Untuk mengebor beton, tembok, dsb., tekan tombol kunci dan putar tombol pengubah mode kerja ke simbol . Gunakan mata mesin bor berujung tungsten-carbide.

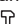
Putaran saja

► **Gbr.7:** 1. Putaran saja

Untuk mengebor bahan kayu, logam atau plastik, tekan tombol kunci dan putar tombol pengubah mode kerja ke simbol . Gunakan mata mesin bor putar atau mata bor kayu.

Getar saja

► **Gbr.8:** 1. Getar saja

Untuk pekerjaan menyerpih, menumbuk atau membobok, tekan tombol kunci dan putar tombol pengubah mode kerja ke simbol . Gunakan pahat beton, pahat besi, pahat tumbuk, dsb.

⚠ **PERHATIAN:**

- Jangan memutar tombol pengubah mode kerja ketika mesin sedang bekerja dengan beban. Mesin bisa rusak.
- Untuk menghindari keausan yang cepat pada mekanisme pengubah mode, pastikan bahwa tombol pengubah mode kerja diposisikan dengan tepat pada salah satu dari tiga posisi mode kerja.

Pembatas torsi

Pembatas torsi akan berfungsi ketika mencapai tingkat torsi tertentu. Motor akan terlepas dari poros keluaran. Ketika hal ini terjadi, mata mesin bor akan berhenti berputar.

⚠ **PERHATIAN:**

- Segera setelah pembatas torsi berfungsi, matikan mesin dengan segera. Hal ini akan membantu mencegah keausan dini pada mesin.
- Mata mesin seperti gergaji lubang, yang cenderung terjepit atau terperangkap dalam lubang dengan mudah, tidak sesuai untuk mesin ini. Karena hal ini akan menyebabkan pembatas torsi terlalu sering berfungsi.

PERAKITAN

⚠️ PERHATIAN:

- Pastikan bahwa mesin dalam keadaan mati dan steker tercabut sebelum melakukan pekerjaan apa pun pada mesin.

Gagang sisi (pegangan tambahan)

- **Gbr.9:** 1. Alas gagang 2. Gagang sisi 3. Kendorkan 4. Kencangkan 5. Gigi-gigi 6. Tonjolan

⚠️ PERHATIAN:

- Gunakan selalu gagang sisi untuk menjamin keselamatan penggunaan.

Pasang gagang sisi sedemikian rupa hingga gigi-gigi pada gagang bertemu dengan tonjolan pada silinder mesin. Lalu kencangkan gagang dengan memutar searah jarum jam ke posisi yang diinginkan. Gagang dapat diputar 360° agar dapat ditahan di posisi mana saja.

Gemuk mata mesin

Lapisi sebelumnya kepala tirus dengan sedikit gemuk mata mesin (sekitar 0,5 - 1 g). Pelumasan cekam ini menjamin kelancaran kerja dan memperpanjang umur pemakaian mesin.

Memasang atau melepas mata mesin

- **Gbr.10:** 1. Kepala tirus 2. Gemuk mata mesin

Bersihkan kepala tirus dan beri gemuk sebelum memasang mata mesin.

- **Gbr.11:** 1. Mata mesin 2. Tutup cekam



Masukkan mata mesin ke dalam mesin. Putar mata mesin dan dorong sampai terpasang. Setelah memasang, selalu pastikan bahwa mata mesin benar-benar terpasang pada tempatnya dengan mencoba menariknya keluar.

Untuk melepas mata mesin, tarik tutup cekam sepenuhnya dan tarik mata mesin keluar.

- **Gbr.12:** 1. Mata mesin 2. Tutup cekam

Sudut mata mesin (ketika menyerpih, menumbuk atau membobok)

- **Gbr.13:** 1. Tombol kunci 2. Tombol pengubah mode kerja

Mata mesin bisa dipasang dengan sudut yang diinginkan. Untuk mengubah sudut mata mesin, tekan tombol kunci dan putar tombol pengubah mode kerja ke simbol . Putar mata mesin ke sudut yang diinginkan. Tekan tombol kunci dan putar tombol pengubah mode kerja ke simbol . Kemudian pastikan bahwa mata mesin benar-benar terpasang pada tempatnya dengan memutarinya sedikit.

- **Gbr.14**

Pengukur kedalaman

- **Gbr.15:** 1. Pengukur kedalaman

Pengukur kedalaman sangat tepat digunakan untuk menghasilkan lubang-lubang pengeboran dengan kedalaman yang seragam. Kendorkan gagang sisi dan masukkan pengukur kedalaman ke dalam lubang pada gagang sisi. Sesuaikan pengukur kedalaman pada kedalaman yang diinginkan dan kencangkan gagang sisi.

CATATAN:

- Pengukur kedalaman tidak bisa digunakan bila posisinya berlawanan dengan rumahan gir.

Mangkuk debu

- **Gbr.16:** 1. Mangkuk debu


Gunakan mangkuk debu untuk mencegah debu berjatuhan ke atas mesin dan pada diri Anda sendiri ketika melakukan pekerjaan pengeboran di atas kepala. Pasang mangkuk debu pada mata mesin seperti ditunjukkan pada gambar. Ukuran mata mesin yang bisa dipasang mangkuk debu adalah sebagai berikut.

	Diameter mata mesin
Mangkuk debu 5	6 mm - 14,5 mm
Mangkuk debu 9	12 mm - 16 mm

PENGUNAAN

Cara pengoperasian bor getar

- **Gbr.17**

Posisikan tombol pengubah mode kerja ke simbol . Posisikan mata mesin pada lokasi yang diinginkan untuk membuat lubang, kemudian tarik pelatuk sakelar. Jangan memaksa mesin listrik. Tekanan yang ringan akan memberi hasil yang terbaik. Jaga posisi mesin dan cegah agar tidak selip dari lubang. Jangan menambah tekanan bila lubang dipenuhi geram-geram atau partikel. Tetapi, nyalakan mesin tanpa putaran, lalu angkat mata mesin sedikit dari lubang. Dengan melakukan hal ini beberapa kali, lubang akan bersih dan pengeboran normal bisa dilanjutkan kembali.

⚠️ PERHATIAN:

- Akan timbul gaya yang sangat kuat dan tiba-tiba pada mesin/mata mesin saat menembus lubang, bila lubang dipenuhi geram-geram atau partikel, atau bila menabrak besi-besi tulangan yang terpasang di dalam beton. Selalu gunakan gagang sisi (pegangan tambahan) dan pegang mesin kuat-kuat pada kedua gagang sisi dan pegangan sakelar selama penggunaan. Kelalaian dalam melakukannya dapat menyebabkan kehilangan kendali pada mesin dan berpotensi mengakibatkan cedera berat.

CATATAN: Eksentrisitas pada putaran mata mesin bisa terjadi ketika menggunakan mesin tanpa beban. Mesin akan memusatkan diri secara otomatis selama penggunaan. Hal ini tidak memengaruhi ketepatan pengeboran.


Penghembus angin (aksesori pilihan)

► **Gbr.18:** 1. Penghembus angin

Setelah mengebor lubang, gunakan penghembus angin untuk membersihkan lubang dari debu.

Menyerpih/Menumbuk/Membobok

► **Gbr.19**

Posisikan tombol pengubah mode kerja ke simbol . Pegang mesin kuat-kuat dengan kedua tangan. Nyalakan mesin dan beri sedikit tekanan pada mesin sehingga mesin tidak akan memantul, tidak terkendali. Terlalu menekan mesin tidak akan meningkatkan efisiensinya.

Mengebor kayu atau logam

► **Gbr.20:** 1. Adaptor cekam 2. Cekam bor tanpa kunci

► **Gbr.21:** 1. Cekam ganti cepat untuk SDS-plus 2. Garis tutup ganti 3. Tutup ganti

► **Gbr.22:** 1. Spindel 2. Cekam bor ganti cepat 3. Garis tutup ganti 4. Tutup ganti

► **Gbr.23:** 1. Selongsong 2. Cincin 3. Cekam bor ganti cepat


Untuk model HR2470/HR2470F

Gunakan pilihan perakitan cekam bor. Ketika memasangnya, silakan mengacu pada “memasang atau melepas mata mesin” yang telah dijelaskan pada halaman sebelumnya.

Untuk model HR2470T/HR2470FT

Gunakan cekam bor ganti cepat sebagai perlengkapan standar. Ketika memasangnya, silakan mengacu pada “mengganti cekam ganti cepat untuk SDS-plus” yang telah dijelaskan pada halaman sebelumnya.


Tahan cincin dan putar selongsong berlawanan arah jarum jam untuk membuka rahang cekam. Masukkan mata mesin bor ke dalam cekam sejauh mungkin. Pegang cincin dengan kuat dan putar selongsong searah jarum jam untuk mengencangkan cekam. Untuk melepas mata mesin bor, pegang cincin dan putar selongsong berlawanan arah jarum jam.

Posisikan tombol pengubah mode kerja ke simbol . Anda bisa mengebor sampai diameter 13 mm pada logam dan sampai diameter 32 mm pada kayu.

⚠ PERHATIAN:

- Jangan sekali-kali menggunakan “putaran dengan getar” ketika cekam bor ganti cepat terpasang pada mesin. Cekam bor ganti cepat bisa rusak. Cekam bor juga akan terlepas ketika membalik arah mesin.
- Menekan mesin secara berlebihan tidak akan mempercepat pengeboran. Bahkan, tekanan yang berlebihan hanya akan merusak mata mesin bor Anda, mengurangi kinerja mesin dan memperpendek usia pakai mesin.
- Akan timbul gaya puntir yang sangat kuat pada mesin/mata mesin bor saat menembus lubang. Pegang mesin dengan kuat dan berhati-hatilah saat mata mesin bor menembus benda kerja.
- Mata mesin bor yang macet dapat dicabut dengan menyatel sakelar pembalik arah agar mesin berputar berlawanan arah untuk mundur. Tetapi, mesin bisa saja mundur mendadak jika Anda tidak memegangnya dengan kuat.
- Tahan benda kerja berukuran kecil dengan penjepit atau alat penahan lain.

Pengeboran dengan mata bor berterasan

Ketika melakukan pekerjaan pengeboran dengan mata bor berterasan, selalu posisikan tuas pengubah ke posisi  untuk menggunakan kerja “putaran saja”.

⚠ PERHATIAN:

- Jika melakukan pekerjaan pengeboran dengan mata bor berterasan menggunakan kerja “putaran dengan getar”, mata mesin bor berterasan intan bisa rusak.

PERAWATAN

⚠ PERHATIAN:

- Selalu pastikan bahwa mesin dimatikan dan steker dicabut sebelum melakukan pemeriksaan atau perawatan.
- Jangan sekali-kali menggunakan bensin, tiner, alkohol, atau bahan sejenisnya. Penggunaan bahan tersebut dapat menyebabkan perubahan warna, perubahan bentuk, atau timbulnya retakan.

Untuk menjaga KEAMANAN dan KEANDALAN mesin, perbaikan, pemeriksaan dan penggantian sikat karbon, serta perawatan atau penyetulan lain harus dilakukan oleh Pusat Layanan Resmi Makita, selalu gunakan suku cadang pengganti buatan Makita.

AKSESORI PILIHAN

⚠️ PERHATIAN:

- Dianjurkan untuk menggunakan aksesoris atau perangkat tambahan ini dengan mesin Makita Anda yang ditentukan dalam petunjuk ini. Penggunaan aksesoris atau perangkat tambahan lain bisa menyebabkan risiko cedera pada manusia. Hanya gunakan aksesoris atau perangkat tambahan sesuai dengan peruntukannya.

Jika Anda memerlukan bantuan lebih rinci berkenaan dengan aksesoris ini, tanyakan pada Pusat Layanan Makita terdekat.

- Mata mesin berujung Carbide SDS-Plus
- Pahat beton
- Pahat besi
- Pahat tumbuk
- Pahat alur
- Perakitan cekam bor
- Cekam bor S13
- Adaptor cekam
- Kunci cekam S13
- Gemuk mata mesin
- Gagang sisi
- Pengukur kedalaman
- Penghembus angin
- Mangkuk debu
- Perangkat tambahan pengumpul debu
- Kaca mata pelindung
- Tas jinjing plastik
- Cekam bor tanpa kunci

CATATAN:

- Beberapa item dalam daftar tersebut mungkin sudah termasuk dalam paket mesin sebagai aksesoris standar. Hal tersebut dapat berbeda dari satu negara ke negara lainnya.

SPESIFIKASI

Model		HR2470/HR2470F	HR2470T/HR2470FT
Kapasiti	Konkrit	Bit hujung tungsten karbida	24 mm
		Bit teras	54 mm
		Bit teras intan (jenis kering)	65 mm
	Keluli	13 mm	
	Kayu	32 mm	
Kelajuan tanpa beban (min ⁻¹)		0 - 1,100	
Pukulan seminit		0 - 4,500	
Panjang keseluruhan		370 mm	394 mm
Berat bersih		2.9 kg	3.0 kg
Kelas keselamatan		□/II	

- Disebabkan program penyelidikan dan pembangunan kami yang berterusan, spesifikasi yang terkandung di dalam ini adalah tertakluk kepada perubahan tanpa notis.
- Spesifikasi mungkin berbeza mengikut negara.
- Berat mengikut Prosedur EPTA 01/2003

Simbol

Berikut menunjukkan simbol-simbol yang digunakan untuk alat ini. Pastikan anda memahami maksudnya sebelum menggunakan.



Baca manual arahan.



PENEBATAN BERGANDA



Hanya untuk negara-negara Kesatuan Eropah
 Jangan buang peralatan elektrik bersama bahan sisa rumah! Dalam mematuhi Arahan Eropah mengenai Sisa Peralatan Elektrik dan Elektronik serta pelaksanaannya mengikut undang-undang negara, peralatan elektrik yang telah mencapai akhir hayatnya mesti dikumpul secara berasingan dan dikembalikan ke kemudahan kitar semula yang bersesuaian dengan alam sekitar.

Tujuan penggunaan

Alat ini bertujuan untuk penggerudian tukul dan penggerudian dalam bata, konkrit dan batu serta untuk kerja memahat.

Ia juga sesuai untuk penggerudian tanpa impak pada kayu, logam, seramik dan plastik.

Bekalan kuasa

Alat ini perlu disambungkan hanya kepada bekalan kuasa dengan voltan yang sama seperti yang ditunjukkan pada papan nama, dan hanya boleh dikendalikan pada bekalan AC fasa tunggal. Ia mempunyai penebatan berganda dan oleh itu, ia juga boleh digunakan dari soket tanpa wayar bumi.

Amaran Keselamatan Umum Alat Kuasa

⚠️ AMARAN Baca semua amaran keselamatan dan semua arahan. Kegagalan mematuhi amaran dan arahan boleh menyebabkan kejutan elektrik, kebakaran dan/atau kecederaan serius.

Simpan semua amaran dan arahan untuk rujukan masa depan.

Istilah "alat kuasa" dalam amaran merujuk kepada alat kuasa yang menggunakan tenaga elektrik (dengan kord) atau alat kuasa yang menggunakan bateri (tanpa kord).

Keselamatan kawasan kerja

1. **Pastikan kawasan kerja bersih dan terang.** Kawasan berselerak atau gelap mengundang kemalangan.
2. **Jangan kendalikan alat kuasa dalam keadaan yang mudah meletup, seperti dalam kehadiran cecair, gas atau habuk yang mudah terbakar.** Alat kuasa menghasilkan percikan api yang boleh menyalakan debu atau wasap.
3. **Jauhkan kanak-kanak dan orang ramai semasa mengendalikan alat kuasa.** Gangguan boleh menyebabkan anda hilang kawalan.

Keselamatan elektrik

4. **Palam alat kuasa mesti sepadan dengan soket. Jangan ubah suai palam dalam apa cara sekalipun. Jangan gunakan sebarang palam penyesuai dengan alat kuasa terbumi.** Palam yang tidak diubah suai dan soket yang sepadan akan mengurangkan risiko kejutan elektrik.

5. **Elakkan sentuhan badan dengan permukaan terbumi, seperti paip, radiator, dapur dan peti sejuk.** Terdapat peningkatan risiko kejutan elektrik jika elektrik terbumi terkena badan anda.
6. **Jangan biarkan alat kuasa terkena hujan atau basah.** Air yang memasuki alat kuasa akan meningkatkan risiko kejutan elektrik.
7. **Jangan salah gunakan kord.** Jangan gunakan kord untuk membawa, menarik atau mencabut palam alat kuasa. Jauhkan kord dari haba, minyak, bucu tajam atau bahagian yang bergerak. Kord yang rosak atau tersimpul meningkatkan risiko kejutan elektrik.
8. **Semasa mengendalikan alat kuasa di luar, gunakan kord sambungan yang bersesuaian untuk kegunaan luar.** Penggunaan kord yang sesuai untuk kegunaan luar mengurangkan risiko kejutan elektrik.
9. **Sekiranya pengendalian alat kuasa di lokasi lembap tidak dapat dielakkan, gunakan bekalan peranti arus sisa (RCD) yang dilindungi.** Penggunaan RCD mengurangkan risiko kejutan elektrik.
10. **Penggunaan bekalan kuasa melalui RCD dengan arus sisa yang bernilai 30 mA atau kurang sentiasa disyorkan.**

Keselamatan diri

11. **Sentiasa berwaspada, perhatikan apa yang anda lakukan dan guna akal budi semasa mengendalikan alat kuasa.** Jangan gunakan alat kuasa semasa anda letih atau di bawah pengaruh dadah, alkohol atau ubat. Kelekaan seketika semasa mengendalikan alat kuasa boleh menyebabkan kecederaan diri yang serius.
12. **Gunakan peralatan pelindung diri. Sentiasa pakai pelindung mata.** Peralatan pelindung seperti topeng debu, kasut keselamatan tak mudah tergelincir, topi keselamatan atau pelindung pendengaran yang digunakan untuk keadaan yang sesuai akan mengurangkan kecederaan diri.
13. **Elakkan permulaan yang tidak disengajakan. Pastikan suis ditutup sebelum menyambung kepada sumber kuasa dan/atau pek bateri, semasa mengangkat atau membawa alat.** Membawa alat kuasa dengan jari anda pada suis atau alat kuasa dengan suis pada kedudukan hidup mengundang kemalangan.
14. **Alihkan sebarang kunci atau sepana pelaras sebelum menghidupkan alat kuasa.** Sepana atau kunci yang ditinggalkan pada bahagian berputar alat kuasa boleh menyebabkan kecederaan diri.
15. **Jangan lampau jangkau. Jaga pijakan dan keseimbangan yang betul pada setiap masa.** Ini membolehkan kawalan alat kuasa yang lebih baik dalam situasi yang tidak dijangka.
16. **Berpakaian dengan betul. Jangan pakai pakaian yang longgar atau barang kemas. Jauhkan rambut, pakaian, dan sarung tangan anda dari bahagian yang bergerak.** Pakaian longgar, barang kemas atau rambut yang panjang boleh terperangkap dalam bahagian yang bergerak.

17. **Jika peranti disediakan untuk sambungan kemudahan pengestrakan dan pengumpulan habuk, pastikan ia disambung dan digunakan dengan betul.** Penggunaan pengumpulan habuk boleh mengurangkan bahaya berkaitan habuk.

Penggunaan dan penjagaan alat kuasa

18. **Jangan gunakan alat kuasa dengan kasar. Gunakan alat kuasa yang betul untuk penggunaan anda.** Alat kuasa yang betul akan melakukan tugas dengan lebih baik dan lebih selamat pada kadar mana ia direka cipta.
19. **Jangan gunakan alat kuasa jika suis tidak berfungsi untuk menghidupkan dan mematikkannya.** Alat kuasa yang tidak dapat dikawal dengan suis adalah berbahaya dan mesti dibaiki.
20. **Cabut palam dari sumber kuasa dan/atau pek bateri dari alat kuasa sebelum membuat sebarang pelarasan, menukar aksesori, atau menyimpan alat kuasa.** Langkah-langkah keselamatan pencegahan sedemikian mengurangkan risiko memulakan alat kuasa secara tidak sengaja.
21. **Simpan alat kuasa yang tidak digunakan jauh dari jangkauan kanak-kanak dan jangan biarkan orang yang tidak biasa dengan alat kuasa atau arahan ini untuk mengendalikan alat kuasa.** Alat kuasa adalah berbahaya di tangan pengguna yang tidak terlatih.
22. **Menyelenggara alat kuasa. Periksa salah jajaran atau ikatan pada bahagian yang bergerak, bahagian yang pecah dan apa-apa keadaan lain yang boleh menjejaskan operasi alat kuasa. Jika rosak,baiki alat kuasa sebelum digunakan.** Kebanyakan kemalangan adalah disebabkan oleh alat kuasa yang tidak dijaga dengan baik.
23. **Pastikan alat pemotong tajam dan bersih.** Alat pemotong yang dijaga dengan betul dengan hujung pemotong yang tajam mempunyai kemungkinan yang rendah untuk terikat dan lebih mudah dikendalikan.
24. **Gunakan alat kuasa, aksesori dan alat bit dan sebagainya mengikut arahan ini dengan mengambil kira keadaan kerja dan kerja yang perlu dilakukan.** Penggunaan alat kuasa untuk operasi yang berbeza dari yang dimaksudkan boleh menyebabkan keadaan berbahaya.

Servis

25. **Pastikan alat kuasa anda diservis oleh orang yang berkelayakan dengan hanya menggunakan alat ganti yang sama.** Ini akan memastikan keselamatan alat kuasa dapat dikekalkan.
26. **Ikut arahan untuk melincir dan menukar aksesori.**
27. **Pastikan pemegang sentiasa kering, bersih dan bebas dari minyak dan gris.**

AMARAN KESELAMATAN TUKUL BERPUTAR

1. **Pakai pelindung telinga.** Pendedahan kepada bunyi bising boleh menyebabkan kehilangan pendengaran.
2. **Gunakan pemegang tambahan, jika dibekalkan dengan alat.** Hilang kawalan boleh menyebabkan kecederaan diri.
3. **Pegang alat kuasa dengan permukaan mencengkam tertebat apabila melakukan operasi di mana aksesori pemotong boleh tersentuh wayar tersembunyi atau kordnya sendiri.** Aksesori pemotong yang bersentuh dengan wayar "hidup" boleh menyebabkan bahagian logam terdedah alat kuasa "hidup" dan boleh memberi kejutan elektrik kepada pengendali.
4. **Pakai topi keselamatan (topi keledar), cermin mata keselamatan dan/atau pelindung muka. Cermin mata atau cermin mata gelap biasa BUKAN cermin mata keselamatan. Ia juga sangat disyorkan untuk anda memakai topeng habuk dan sarung tangan tebal.**
5. **Pastikan bit dipasang dengan betul sebelum operasi.**
6. **Di bawah operasi biasa, alat ini direka untuk menghasilkan getaran. Skru boleh menjadi longgar dengan mudah yang menyebabkan kerosakan atau kemalangan. Periksa keketatan skru dengan teliti sebelum operasi.**
7. **Dalam cuaca sejuk atau apabila alat tidak digunakan untuk jangka masa yang panjang, biarkan alat dipanaskan seketika dengan mengendalikannya tanpa sebarang beban. Ini akan mencairkan pelinciran. Tanpa pemanasan yang betul, operasi menukul adalah sukar.**
8. **Sentiasa pastikan anda mempunyai tapak berpijak yang kukuh. Pastikan tiada sesiapa di bawah apabila menggunakan alat di lokasi yang tinggi.**
9. **Pegang alat dengan kuat menggunakan kedua-dua tangan.**
10. **Jauhkan tangan dari bahagian bergerak.**
11. **Jangan tinggalkan alat yang sedang berjalan. Kendalikan alat hanya apabila dipegang.**
12. **Jangan halakan alat kepada sesiapa di kawasan sekitar semasa mengendalikan. Bit boleh terbang dan mencederakan seseorang dengan serius.**
13. **Jangan sentuh bit atau bahagian yang dekat dengan bit dengan serta-merta selepas operasi; ia mungkin panas dan boleh membakar kulit anda.**
14. **Setengah bahan mengandungi bahan kimia yang mungkin toksik. Sila berhati-hati untuk mencegah penyedutan habuk dan sentuhan kulit. Ikut data keselamatan pembekal bahan.**

SIMPAN ARAHAN INI.

AMARAN: JANGAN biarkan keselesaan atau kebiasaan dengan produk (daripada penggunaan berulang) menggantikan pematuhan ketat terhadap peraturan keselamatan untuk produk yang ditetapkan. **SALAH GUNA** atau kegagalan untuk mematuhi peraturan-peraturan keselamatan yang dinyatakan dalam manual arahan ini boleh menyebabkan kecederaan diri yang serius.

KETERANGAN FUNGSI

PERHATIAN:

- Sentiasa pastikan alat dimatikan dan palangnya dicabut sebelum menyelaras atau menyemak fungsi pada alat.

Tindakan suis

► **Rajah1:** 1. Pemicu suis 2. Butang kunci

PERHATIAN:

- Sebelum memasang alat, sentiasa periksa untuk melihat pemicu suis bergerak dengan betul dan kembali ke posisi "OFF" apabila dilepaskan.

Untuk memulakan alat, hanya tarik pemicu suis. Kelajuan alat ditingkatkan dengan menambah tekanan pada pemicu suis. Lepaskan pemicu suis untuk berhenti. Untuk operasi berterusan, tarik pemicu suis dan kemudian tolak masuk butang kunci. Untuk menghentikan alat dari kedudukan terkunci, tarik pemicu suis sepenuhnya, kemudian lepaskan.

Menyalakan lampu

Untuk model HR2470F/2470FT

► **Rajah2:** 1. Lampu

PERHATIAN:

- Jangan lihat ke dalam cahaya atau lihat sumber cahaya secara langsung.

Untuk menghidupkan lampu, tarik pemicu. Lepaskan pemicu untuk mematikannya.

NOTA:

- Gunakan kain kering untuk mengelap kotoran daripada kanta lampu. Berhati-hati agar tidak mencalarkan kanta lampu, atau ia mungkin mengurangkan pencahayaan.

Tindakan suis pembalik

► **Rajah3:** 1. Tuil suis pembalik

⚠ **PERHATIAN:**

- Sentiasa periksa arah putaran sebelum operasi.
- Gunakan suis pembalik hanya selepas alat berhenti sepenuhnya. Menukar arah putaran sebelum alat berhenti boleh merosakkan alat.
- Jika pemicu suis tidak boleh ditekan, periksa untuk melihat sama ada suis pembalik ditetapkan sepenuhnya ke kedudukan ◀ (Sisi A) atau ▶ (Sisi B).

Alat ini mempunyai suis pembalik untuk mengubah arah putaran. Ubah tuil suis pembalik ke kedudukan ◀ (sisi A) untuk putaran arah jam atau pada kedudukan ▶ (sisi B) untuk putaran arah lawan jam.

Menukar cuk tukar cepat untuk SDS-plus

Untuk model HR2470T/HR2470FT


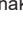
Cuk tukar cepat untuk SDS-plus boleh ditukar dengan mudah untuk cuk gerudi tukar cepat.

Menanggalkan cuk tukar cepat untuk SDS-plus

► **Rajah4:** 1. Cuk tukar cepat untuk SDS-plus
2. Garisan penutup tukar 3. Penutup tukar




⚠ **PERHATIAN:**

- Sebelum menanggalkan cuk tukar cepat untuk SDS-plus, sentiasa tanggalkan bit.

Genggam penutup tukar bagi cuk tukar cepat untuk SDS-plus dan putarkan mengikut arah anak panah sehingga garisan penutup tukar beralih dari simbol  kepada simbol . Tarik dengan kuat mengikut arah anak panah.

Memasang cuk gerudi tukar cepat


► **Rajah5:** 1. Spindel 2. Cuk gerudi tukar cepat
3. Garisan penutup tukar 4. Penutup tukar

Pastikan garisan cuk gerudi tukar cepat menunjukkan simbol . Genggam penutup tukar bagi cuk gerudi tukar cepat dan tetapkan garisan kepada simbol . Letakkan cuk gerudi tukar cepat pada spindel alat. Genggam penutup tukar bagi cuk gerudi tukar cepat dan putar garisan penutup tukar kepada simbol  sehingga bunyi klik dapat didengar dengan jelas.

Memilih mod tindakan


Putaran dengan menukul

► **Rajah6:** 1. Butang kunci 2. Tombol penukar mod tindakan

Untuk penggerudian pada konkrit, batu, dsb., tekan butang kunci dan putar tombol penukar mod tindakan ke simbol . Gunakan bit hujung tungsten karbida.


Putaran sahaja

► **Rajah7:** 1. Putaran sahaja

Untuk penggerudian pada kayu, logam atau bahan plastik, tekan butang kunci dan putar tombol penukar mod tindakan ke simbol . Gunakan bit gerudi berpintal atau bit kayu.

Menukul sahaja

► **Rajah8:** 1. Menukul sahaja

Untuk operasi menyerpih, menskala atau meroboh, tekan butang kunci dan putar tombol penukar mod tindakan ke simbol . Gunakan mata bull, pahat sejuk, pahat penskalaan, dan sebagainya.

⚠ **PERHATIAN:**

- Jangan putar tombol penukar mod tindakan semasa alat sedang beroperasi di bawah beban. Alat akan rosak.
- Untuk mengelakkan mekanisme mod penukar menjadi haus dengan cepat, pastikan tombol penukar mod tindakan sentiasa berada di salah satu dari tiga kedudukan mod tindakan.

Pengehad tork

Pengehad tork akan bergerak apabila tahap tork tertentu dicapai. Motor akan dilepaskan dari aci keluaran. Apabila ini berlaku, bit akan berhenti berpusing.

⚠ **PERHATIAN:**

- Sebaik sahaja pengehad tork bergerak, matikan alat dengan serta-merta. Ini akan membantu mengelakkan alat dari haus dengan cepat.
- Bit seperti gergaji lubang yang cenderung tersepit atau tersangkut dalam lubang dengan mudah adalah tidak sesuai untuk alat ini. Ini kerana ia akan menyebabkan pengehad tork bergerak dengan terlalu kerap.

PEMASANGAN

⚠️ PERHATIAN:

- Sentiasa pastikan alat dimatikan dan palamnya dicabut sebelum menjalankan apa-apa kerja pada alat.

Genggaman sisi (pemegang tambahan)

- **Rajah9:** 1. Tapak genggaman 2. Genggaman sisi 3. Longgarkan 4. Ketatkan 5. Gigi 6. Tonjol

⚠️ PERHATIAN:

- Sentiasa gunakan genggaman sisi untuk memastikan keselamatan operasi.

Pasang genggaman sisi supaya gigi pada genggaman sesuai di antara tonjol pada tong alat. Kemudian ketatkan genggaman dengan putaran arah jam pada kedudukan yang dikehendaki. Ia mungkin berayun 360° supaya dapat dipasang dengan teguh pada mana-mana kedudukan.

Gris bit

Salut kepala bilah bit terlebih dahulu dengan sedikit gris bit (kira-kira 0.5 - 1 g). Pelinciran cuk ini memastikan tindakan yang lancar dan hayat perkhidmatan yang lebih lama.

Memasang atau menanggalkan bit

- **Rajah10:** 1. Bilah bit 2. Gris bit

Bersihkan bilah bit dan sapukan gris bit sebelum memasang bit.

- **Rajah11:** 1. Bit 2. Penutup cuk

Masukkan bit ke alat tersebut. Putar dan tolak bit ke dalam sehingga ia terpasang.

Selepas memasang, sentiasa pastikan bit dipasang kemas dengan cuba menariknya keluar.

Untuk menanggalkan bit, tarik penutup cuk ke bawah dan tarik bit keluar.

- **Rajah12:** 1. Bit 2. Penutup cuk

Sudut bit (semasa menyerpih, menskala atau meroboh)

- **Rajah13:** 1. Butang kunci 2. Tombol penukar mod tindakan

Bit boleh dipasang pada sudut yang dikehendaki. Untuk mengubah sudut bit, tekan butang kunci dan putar tombol penukar mod tindakan ke simbol **O**. Putar bit ke sudut yang dikehendaki.

Tekan butang kunci dan putar tombol penukar mod tindakan ke simbol **T**. Kemudian pastikan bit dipasang kemas dengan memutarinya sedikit.

- **Rajah14**

Tolok kedalaman

- **Rajah15:** 1. Tolok kedalaman

Tolok kedalaman dapat memudahkan penggerudian lubang pada kedalaman yang seragam. Longgarkan genggaman sisi dan sisipkan tolak kedalaman ke dalam lubang dalam genggaman sisi. Laraskan tolak kedalaman ke kedalaman yang dikehendaki dan ketatkan genggaman sisi.

NOTA:

- Tolok kedalaman tidak boleh digunakan pada kedudukan apabila tolak kedalaman melanggar perumah gear.

Cawan habuk

- **Rajah16:** 1. Cawan habuk

Gunakan cawan habuk untuk mengelakkan habuk daripada jatuh di atas alat dan diri anda ketika melakukan operasi penggerudian di atas kepala. Pasangkan cawan habuk pada bit seperti yang ditunjukkan dalam rajah. Saiz bit yang boleh dipasang cawan habuk adalah seperti berikut.

	Diameter bit
Cawan habuk 5	6 mm - 14.5 mm
Cawan habuk 9	12 mm - 16 mm

OPERASI

Operasi penggerudian tukul

- **Rajah17**

Tetapkan tombol penukar mod tindakan ke simbol **T**.

Letakkan bit pada lokasi yang dikehendaki untuk lubang, kemudian tarik pemacu suis.

Jangan paksa alat. Tekanan ringan memberi hasil yang terbaik. Pastikan alat berada pada kedudukan dan elakkan tergelincir dari lubang.

Jangan beri lebih tekanan apabila lubang tersumbat dengan serpihan atau debu. Sebaliknya, gunakan alat tersebut pada keadaan melahu, kemudian keluarkan sebahagian bit dari lubang. Dengan mengulangi ini beberapa kali, lubang itu akan dibersihkan dan penggerudian biasa dapat diteruskan.

⚠️ PERHATIAN:

- Terdapat kekuatan putaran yang sangat kuat dan mendadak pada alat/bit semasa lubang dibolosi, apabila lubang tersumbat dengan serpihan dan zarah, atau apabila terkena batang rod penguat yang terbenam dalam konkrit. Sentiasa gunakan genggaman sisi (pemegang tambahan) dan pegang alat dengan kukuh pada kedua-dua genggaman sisi dan pemegang suis semasa operasi. Kegagalan berbuat demikian boleh mengakibatkan hilang kawalan pada alat dan kecederaan yang teruk.

NOTA: Kesipian dalam putaran bit mungkin berlaku semasa mengendalikannya alat tanpa beban. Alat akan memusatkan diri secara automatik semasa operasi. Ini tidak menjejaskan ketepatan penggerudian.


Bebuli hembus keluar (aksesori pilihan)

► Rajah18: 1. Bebuli hembus keluar

Selepas menggerudi lubang, gunakan bebuli hembus keluar untuk membersihkan habuk keluar daripada lubang.

Menyerpih/Menskala/Meroboh

► Rajah19

Tetapkan tombol penukar mod tindakan ke simbol . Pegang alat dengan kuat menggunakan kedua-dua tangan. Hidupkan alat dan beri sedikit tekanan pada alat supaya alat tidak akan melantun dan tidak terkawal. Menekan alat dengan sangat kuat tidak akan menambah kecekapan.

Penggerudian pada kayu atau logam

- **Rajah20:** 1. Penyesuai cuk 2. Cuk gerudi tanpa kunci
- **Rajah21:** 1. Cuk tukar cepat untuk SDS-plus 2. Garisan penutup tukar 3. Penutup tukar
- **Rajah22:** 1. Spindel 2. Cuk gerudi tukar cepat 3. Garisan penutup tukar 4. Penutup tukar
- **Rajah23:** 1. Lengan 2. Gelang 3. Cuk gerudi tukar cepat


Untuk model HR2470/HR2470F

Gunakan pemasangan cuk gerudi pilihan. Apabila memasangnya, rujuk "Memasang atau menanggalkan bit" yang dihuraikan pada halaman sebelumnya.

Untuk model HR2470T/HR2470FT

Gunakan cuk gerudi tukar cepat sebagai peralatan standard. Apabila memasangnya, rujuk "menukar cuk tukar cepat untuk SDS-plus." yang dihuraikan pada halaman sebelumnya.


Pegang gelang dan putarkan lengan arah lawan jam untuk membuka rahang cuk. Letakkan bit di dalam cuk setakat ia boleh dimasukkan. Pegang gelang dan putarkan lengan arah jam untuk mengetatkan cuk. Untuk menanggalkan bit, pegang gelang dan putarkan lengan arah lawan jam.

Tetapkan tombol penukar mod tindakan ke simbol . Anda boleh menggerudi sehingga 13 mm diameter pada logam dan sehingga 32 mm diameter pada kayu.

PERHATIAN:

- Jangan sekali-kali menggunakan "putaran dengan menukul" apabila cuk gerudi tukar cepat dipasang pada alat. Cuk gerudi tukar cepat mungkin rosak. Selain itu, cuk gerudi akan terkeluar apabila membalikkan alat.
- Menekan alat secara berlebihan tidak akan mempercepatkan penggerudian. Malah, tekanan yang berlebihan ini hanya akan merosakkan hujung bit anda, mengurangkan prestasi alat dan memendekkan tempoh hayat perkhidmatan alat.
- Terdapat kekuatan putaran besar yang dikenakan pada alat/bit pada masa lubang dibolosi. Pegang alat dengan kukuh dan beri perhatian apabila bit mula menembusi bahan kerja.
- Bit yang tersangkut boleh dialih keluar hanya dengan menetapkan suis pembalik kepada putaran terbalik supaya ia dapat dialih keluar. Walau bagaimanapun, alat mungkin terkeluar secara tiba-tiba jika anda tidak memegangnya dengan kukuh.
- Sentiasa menambat bahan kerja yang kecil menggunakan peranti penekan atau peranti yang serupa.

Penggerudian teras intan

Apabila melakukan operasi penggerudian teras intan, sentiasa tetapkan tuil ubah ke posisi  untuk menggunakan tindakan "putaran sahaja".

PERHATIAN:

- Jika menjalankan operasi penggerudian teras intan menggunakan tindakan "putaran dengan menukul", bit teras intan mungkin rosak.

PENYELENGGARAAN

PERHATIAN:

- Sentiasa pastikan alat dimatikan dan palamnya dicabut sebelum cuba menjalankan pemeriksaan atau penyelenggaraan.
- Jangan gunakan gasolin, benzin, pencair, alkohol atau bahan yang serupa. Ia boleh menyebabkan perubahan warna, bentuk atau keretakan.

Untuk mengekalkan KESELAMATAN dan KEBOLEHPERCAYAAN produk, pembaikan, pemeriksaan dan penggantian berus karbon, apa-apa penyelenggaraan atau penyesuaian lain perlu dilakukan oleh Pusat Servis Makita yang Diiktiraf, sentiasa gunakan alat ganti Makita.

AKSESORI PILIHAN

PERHATIAN:

- Aksesori-aksesori atau lampiran-lampiran ini adalah disyorkan untuk digunakan dengan alat Makita anda yang ditentukan dalam manual ini. Penggunaan mana-mana aksesori-aksesori atau lampiran-lampiran lain mungkin mengakibatkan risiko kecederaan kepada orang. Hanya gunakan aksesori atau lampiran untuk tujuan yang dinyatakannya.

Jika anda memerlukan bantuan untuk butiran lanjut berkenaan aksesori-aksesori ini, tanya Pusat Servis Makita tempatan anda.

- Bit hujung karbida SDS-Plus
- Mata bull
- Pahat sejuk
- Pahat penskalaan
- Pahat peluruhan
- Pemasangan cuk gerudi
- Cuk gerudi S13
- Penyesuai cuk
- Kunci cuk S13
- Gris bit
- Genggaman sisi
- Tolok kedalaman
- Bebuli hembus keluar
- Cawan habuk
- Lampiran pengekstrak habuk
- Gogel keselamatan
- Bekas pembawa plastik
- Cuk gerudi tanpa kunci

NOTA:

- Beberapa item dalam senarai mungkin disertakan dalam pakej alat sebagai aksesori standard. Item mungkin berbeza mengikut negara.

THÔNG SỐ KỸ THUẬT

Kiểu			HR2470/HR2470F	HR2470T/HR2470FT
Công suất	Bê-tông	Đầu mũi bịt Tungsten-cacbua	24 mm	
		Đầu mũi lõi	54 mm	
		Đầu mũi lõi kim cương (kiểu khô)	65 mm	
	Thép		13 mm	
	Gỗ		32 mm	
Tốc độ không tải (min ⁻¹)			0 - 1.100	
Số nhát mỗi phút			0 - 4.500	
Chiều dài tổng thể			370 mm	394 mm
Khối lượng tịnh			2,9 kg	3,0 kg
Cấp an toàn			□/II	

- Do chương trình nghiên cứu và phát triển liên tục của chúng tôi nên các thông số kỹ thuật trong đây có thể thay đổi mà không cần thông báo trước.
- Các thông số kỹ thuật có thể thay đổi tùy theo từng quốc gia.
- Khối lượng tính theo Quy trình EPTA tháng 01/2003

Ký hiệu

Phần dưới đây cho biết các ký hiệu được dùng cho thiết bị. Đảm bảo rằng bạn hiểu rõ ý nghĩa của các ký hiệu này trước khi sử dụng.



Đọc tài liệu hướng dẫn.



CÁCH ĐIỆN CẤP 2



Chỉ dành cho các quốc gia EU
Không tháo bỏ thiết bị điện cùng với các chất thải sinh hoạt! Đề tuân thủ Chỉ thị của Châu Âu về thiết bị điện và điện tử thải bỏ, và thi hành những chỉ thị này phù hợp với luật lệ quốc gia, thiết bị điện tử không còn sử dụng được nữa phải được thu nhặt riêng và đưa trở lại một cơ sở tái chế tương thích với môi trường.

Mục đích sử dụng

Dụng cụ này được thiết kế để khoan đóng búa và khoan vào gạch, bê-tông và đá cũng như dùng cho công tác khoan đục.

Nó cũng có thể phù hợp cho việc khoan không va đập vào gỗ, kim loại, gốm và nhựa.

Nguồn cấp điện

Dụng cụ này chỉ được nối với nguồn cấp điện có điện áp giống như đã chỉ ra trên biển tên và chỉ có thể được vận hành trên nguồn điện AC một pha. Chúng được cách điện hai lớp và do đó cũng có thể được sử dụng từ các ổ cắm điện không có dây tiếp đất.

Cảnh báo An toàn Chung dành cho Dụng cụ Máy

⚠CẢNH BÁO Đọc tất cả các cảnh báo an toàn và hướng dẫn. Việc không tuân theo các cảnh báo và hướng dẫn có thể dẫn đến điện giật, hỏa hoạn và/hoặc thương tích nghiêm trọng.

Lưu giữ tất cả cảnh báo và hướng dẫn để tham khảo sau này.

Thuật ngữ "dụng cụ máy" ở mục cảnh báo là nói đến dụng cụ máy dùng dùng (có dây) hoặc dụng cụ máy dùng pin (không dây).

An toàn tại nơi làm việc

1. **Giữ nơi làm việc sạch sẽ và có đủ ánh sáng.**
Nơi làm việc bừa bộn hoặc tối thường dễ gây ra tai nạn.
2. **Không vận hành dụng cụ máy trong môi trường cháy nổ, ví dụ như môi trường có sự hiện diện của các chất lỏng, khí hoặc bụi dễ cháy.** Các dụng cụ máy tạo tia lửa điện có thể làm bụi hoặc khí bốc cháy.
3. **Giữ trẻ em và người ngoài tránh xa nơi làm việc khi đang vận hành dụng cụ máy.** Sự xao lãng có thể khiến bạn mất khả năng kiểm soát.

An toàn về Điện

4. **Giữ trẻ em và người ngoài tránh xa nơi làm việc khi đang vận hành dụng cụ máy.** Sự xao lãng có thể khiến bạn mất khả năng kiểm soát.
- An toàn về Điện**
4. **Phích cắm của dụng cụ máy phải khớp với ổ cắm. Không được sửa đổi phích cắm theo bất kỳ cách nào. Không sử dụng bất kỳ phích chuyên đổi nào với các dụng cụ máy được nối đất (tiếp đất).** Các phích cắm còn nguyên vẹn và ổ cắm phù hợp sẽ giảm nguy cơ điện giật.

5. **Tránh để cơ thể tiếp xúc với các bề mặt nổi đất hoặc tiếp đất như đường ống, bộ tản nhiệt, bếp ga và tủ lạnh.** Nguy cơ bị điện giật sẽ tăng lên nếu cơ thể bạn được nối đất hoặc tiếp đất.
6. **Không để dụng cụ máy tiếp xúc với mưa hoặc trong điều kiện ẩm ướt.** Nước lọt vào dụng cụ máy sẽ làm tăng nguy cơ điện giật.
7. **Không lạm dụng dây điện.** Không được phép sử dụng dây để mang, kéo hoặc tháo phích cắm dụng cụ máy. Giữ dây tránh xa nguồn nhiệt, dầu, các mép sắc hoặc các bộ phận chuyển động. Dây bị hỏng hoặc bị rối sẽ làm tăng nguy cơ điện giật.
8. **Khi vận hành dụng cụ máy ngoài trời, hãy sử dụng dây kéo dài phù hợp cho việc sử dụng ngoài trời.** Việc dùng dây phù hợp cho việc sử dụng ngoài trời sẽ giảm nguy cơ điện giật.
9. **Nếu bắt buộc phải vận hành dụng cụ máy ở nơi ẩm ướt, hãy sử dụng nguồn cấp điện được bảo vệ bằng thiết bị ngắt dòng điện rò (RCD).** Việc sử dụng RCD sẽ giảm nguy cơ điện giật.
10. **Chúng tôi luôn khuyên bạn sử dụng nguồn cấp điện qua thiết bị RCD có thể ngắt dòng điện rò định mức 30mA hoặc thấp hơn.**

An toàn Cá nhân

11. **Luôn tỉnh táo, quan sát những việc bạn đang làm và sử dụng những phán đoán theo kinh nghiệm khi vận hành dụng cụ máy.** Không sử dụng dụng cụ máy khi bạn đang mệt mỏi hoặc chịu ảnh hưởng của ma túy, rượu hay thuốc. Chỉ một khoảnh khắc không tập trung khi đang vận hành dụng cụ máy cũng có thể dẫn đến thương tích cá nhân nghiêm trọng.
12. **Sử dụng thiết bị bảo hộ cá nhân.** Luôn đeo thiết bị bảo vệ mắt. Các thiết bị bảo hộ như mặt nạ chống bụi, giày an toàn chống trượt, mũ bảo hộ hay thiết bị bảo vệ thính giác được sử dụng trong các điều kiện thích hợp sẽ giúp giảm thương tích cá nhân.
13. **Tránh vô tình khởi động dụng cụ máy.** Đảm bảo công tắc ở vị trí off (tắt) trước khi nối nguồn điện và/hoặc bộ pin, cầm hoặc mang dụng cụ máy. Việc mang dụng cụ máy khi đang đặt ngón tay ở vị trí công tắc hoặc cấp điện cho dụng cụ máy đang bật thường dễ gây ra tai nạn.
14. **Tháo mọi khóa hoặc chia vận điều chỉnh trước khi bật dụng cụ máy.** Việc chia vận hoặc khóa vẫn còn gắn vào bộ phận quay của dụng cụ máy có thể dẫn đến thương tích cá nhân.
15. **Không vớ quá cao.** Luôn giữ thăng bằng tốt và có chỗ để chân phù hợp. Điều này cho phép điều khiển dụng cụ máy tốt hơn trong những tình huống bất ngờ.
16. **Ăn mặc phù hợp.** Không mặc quần áo rộng hay đeo đồ trang sức. Giữ tóc, quần áo và gang tay tránh xa các bộ phận chuyển động. Quần áo rộng, đồ trang sức hay tóc dài có thể mắc vào các bộ phận chuyển động.
17. **Nếu các thiết bị được cung cấp để kết nối các thiết bị thu gom và hút bụi, hãy đảm bảo chúng được kết nối và sử dụng hợp lý.** Việc sử dụng thiết bị thu gom bụi có thể làm giảm những mối nguy hiểm liên quan đến bụi.

Sử dụng và bảo quản dụng cụ máy

18. **Không dùng lực đối với dụng cụ máy.** Sử dụng đúng dụng cụ máy cho công việc của bạn. Sử dụng đúng dụng cụ máy sẽ giúp thực hiện công việc tốt hơn và an toàn hơn theo giá trị định mức được thiết kế của dụng cụ máy đó.
19. **Không sử dụng dụng cụ máy nếu công tắc không bật và tắt được dụng cụ máy đó.** Mọi dụng cụ máy không thể điều khiển được bằng công tắc đều rất nguy hiểm và phải được sửa chữa.
20. **Rút phích cắm ra khỏi nguồn điện và/hoặc ngắt kết nối bộ pin khỏi dụng cụ máy trước khi thực hiện bất kỳ công việc điều chỉnh, thay đổi phụ tùng hay cắt giữ dụng cụ máy nào.** Những biện pháp an toàn phòng ngừa này sẽ giảm nguy cơ vô tình khởi động dụng cụ máy.
21. **Cắt giữ các dụng cụ máy không sử dụng ngoài tầm với của trẻ em và không cho bất kỳ người nào không có hiểu biết về dụng cụ máy hoặc các hướng dẫn này vận hành dụng cụ máy.** Dụng cụ máy sẽ rất nguy hiểm nếu được sử dụng bởi những người dùng chưa qua đào tạo.
22. **Bảo quản dụng cụ máy.** Kiểm tra tình trạng lệch trục hoặc bó kẹt của các bộ phận chuyển động, hiện tượng nứt vỡ của các bộ phận và mọi tình trạng khác mà có thể ảnh hưởng đến hoạt động của dụng cụ máy. Nếu có hỏng hóc, hãy sửa chữa dụng cụ máy trước khi sử dụng. Nhiều tai nạn xảy ra là do không bảo quản tốt dụng cụ máy.
23. **Luôn giữ cho dụng cụ cắt được sắc bén và sạch sẽ.** Những dụng cụ cắt được bảo quản tốt có mép cắt sắc sẽ ít bị kẹt hơn và dễ điều khiển hơn.
24. **Sử dụng dụng cụ máy, phụ tùng và đầu dụng cụ cắt, v.v... theo các hướng dẫn này, có tính đến điều kiện làm việc và công việc được thực hiện.** Việc sử dụng dụng cụ máy cho các công việc khác với công việc dự định có thể gây nguy hiểm.

Bảo dưỡng

25. **Đề nghị viên sửa chữa đủ trình độ bảo dưỡng dụng cụ máy của bạn và chỉ sử dụng các bộ phận thay thế đồng nhất.** Việc này sẽ đảm bảo duy trì được độ an toàn của dụng cụ máy.
26. **Tuân theo hướng dẫn dành cho việc bôi trơn và thay phụ tùng.**
27. **Giữ tay cầm khô, sạch, không dính dầu và mỡ.**

CẢNH BÁO AN TOÀN MÁY KHOAN ĐỘNG LỰC CẦM TAY HOẠT ĐỘNG BẰNG ĐỘNG CƠ ĐIỆN

1. **Đeo thiết bị bảo vệ tai.** Việc để tai tiếp xúc với tiếng ồn có thể gây giảm thính lực.
2. **Sử dụng các tay cầm phụ nếu được cung cấp kèm theo dụng cụ.** Việc mất khả năng kiểm soát có thể dẫn đến thương tích cá nhân.

3. **Cầm dụng cụ máy bằng bề mặt kẹp cách điện** khi thực hiện một thao tác trong đó bộ phận cắt có thể tiếp xúc với dây dẫn kín hoặc dây của chính nó. Bộ phận cắt tiếp xúc với dây dẫn “có điện” có thể khiến các bộ phận kim loại bị hở của dụng cụ máy “có điện” và làm cho người vận hành bị điện giật.
4. **Đội mũ cứng (mũ bảo hộ), mang kính bảo hộ và/hoặc mặt nạ bảo vệ mặt. Mắt thường hoặc kính râm KHÔNG phải là loại kính an toàn.** Chúng tôi hết sức khuyến cáo bạn nên mang khẩu trang chống bụi và đeo găng tay có đệm dày.
5. **Đảm bảo rằng đầu mũi được gắn chặt đúng vị trí trước khi vận hành.**
6. **Trong điều kiện vận hành bình thường, dụng cụ được thiết kế tạo ra rung động. Các ốc vít có thể dễ dàng bị lỏng dần ra, gây ra hỏng hóc hoặc tai nạn. Kiểm tra kỹ độ chặt của các ốc vít trước khi vận hành.**
7. **Khi thời tiết lạnh hoặc không sử dụng dụng cụ trong thời gian dài, hãy làm nóng dụng cụ một lúc bằng cách vận hành không tải. Điều này sẽ giúp dầu bôi trơn giãn nở ra. Nếu không được làm nóng đúng cách, thao tác đóng búa sẽ gặp khó khăn.**
8. **Luôn chắc chắn rằng bạn có chỗ tựa chân vững chắc.** Đảm bảo rằng không có ai ở dưới khi dùng dụng cụ ở những vị trí trên cao.
9. **Cầm chắc dụng cụ bằng cả hai tay.**
10. **Giữ tay tránh xa các bộ phận quay.**
11. **Không để mặc dụng cụ hoạt động. Chỉ vận hành dụng cụ khi cầm trên tay.**
12. **Không được chĩa dụng cụ vào bất cứ ai ở gần khi vận hành dụng cụ. Đầu mũi có thể văng ra ngoài và gây thương tích nghiêm trọng cho ai đó.**
13. **Không chạm vào đầu mũi hoặc các bộ phận gần đầu mũi ngay sau khi vận hành; chúng có thể rất nóng và gây bỏng da.**
14. **Một số vật liệu có thể chứa hóa chất độc. Phải cẩn trọng tránh hít phải bụi và để tiếp xúc với da. Tuân theo dữ liệu an toàn của nhà cung cấp vật liệu.**

LƯU GIỮ CÁC HƯỚNG DẪN NÀY.

⚠CẢNH BÁO: KHÔNG vì đã thoải mái hay quen thuộc với sản phẩm (có được do sử dụng nhiều lần) mà không tuân thủ nghiêm ngặt các quy định về an toàn dành cho sản phẩm này. **VIỆC DÙNG SAI** hoặc không tuân theo các quy định về an toàn được nêu trong tài liệu hướng dẫn này có thể dẫn đến thương tích cá nhân nghiêm trọng.

MÔ TẢ CHỨC NĂNG

⚠THẬN TRỌNG:

- Luôn bảo đảm rằng dụng cụ được tắt điện và rút phích cắm trước khi điều chỉnh hoặc kiểm tra chức năng của dụng cụ.

Hoạt động công tắc

► **Hình1:** 1. Cần khởi động công tắc 2. Nút khóa

⚠THẬN TRỌNG:

- Trước khi cắm điện vào dụng cụ, luôn luôn kiểm tra xem cần khởi động công tắc có hoạt động bình thường hay không và trả về vị trí “TẮT” khi nhả ra.

Để khởi động dụng cụ, chỉ cần kéo cần khởi động công tắc. Tốc độ của dụng cụ được tăng lên bằng cách tăng áp lực lên cần khởi động công tắc. Nhả cần khởi động công tắc ra để dừng. Để tiếp tục vận hành, hãy kéo cần khởi động công tắc và sau đó nhấn vào nút khóa. Để dừng dụng cụ từ vị trí đã khóa, hãy kéo cần khởi động công tắc hết mức, sau đó nhả ra.

Bật các đèn

Đối với Kiểu HR2470F/2470FT

► **Hình2:** 1. Đèn

⚠THẬN TRỌNG:

- Đừng nhìn thẳng trực tiếp vào đèn hoặc nguồn sáng.

Để bật đèn, hãy kéo cần khởi động. Nhả cần khởi động để tắt đèn.

LƯU Ý:

- Dùng vải khô để lau bụi bẩn trên kính đèn. Cần thận trọng không được làm xước kính đèn, nếu không đèn có thể bị giảm độ sáng.

Hoạt động công tắc đảo chiều

► **Hình3:** 1. Cần công tắc đảo chiều

⚠THẬN TRỌNG:

- Luôn luôn kiểm tra hướng xoay trước khi vận hành.
- Chỉ sử dụng công tắc đảo chiều sau khi dụng cụ đã dừng hoàn toàn. Việc thay đổi hướng xoay trước khi dụng cụ dừng có thể làm hỏng dụng cụ.
- Nếu không thể nhấn cần khởi động công tắc, hãy kiểm tra xem công tắc đảo chiều có được cài đầy đủ vào đúng vị trí ◁ (mặt A) hoặc ▷ (mặt B) chưa.

Dụng cụ này có một công tắc đảo chiều để thay đổi chiều xoay. Di chuyển cần công tắc đảo chiều sang ◁ vị trí (mặt A) để xoay theo chiều kim đồng hồ hoặc vị trí ▷ (mặt B) để xoay ngược chiều kim đồng hồ.

Thay đổi ngàm lắp nhanh cho loại SDS-plus

Đối với kiểu HR2470T/HR2470FT



Ngàm lắp nhanh cho loại SDS-plus có thể dễ dàng thay đổi sang loại ngàm khoan lắp nhanh.

Tháo ngàm lắp nhanh cho loại SDS-plus

- **Hình4:** 1. Ngàm lắp nhanh cho loại SDS-plus
2. Vạch nắp thay 3. Nắp thay

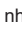

⚠ THẬN TRỌNG:


- Trước khi tháo ngàm lắp nhanh cho loại SDS-plus, luôn luôn tháo đầu mũi ra.

Nắm lấy nắp thay của ngàm lắp nhanh cho loại SDS-plus và xoay theo hướng mũi tên cho đến khi vạch nắp thay di chuyển từ biểu tượng  đến biểu tượng . Dùng lực kéo mạnh theo hướng mũi tên.

Gắn ngàm khoan lắp nhanh

- **Hình5:** 1. Trục quay 2. Ngàm khoan lắp nhanh
3. Vạch nắp thay 4. Nắp thay

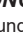
Kiểm tra để vạch của ngàm khoan lắp nhanh chỉ biểu tượng . Nắm lấy nắp thay của ngàm khoan lắp nhanh và đặt đến biểu tượng .

Đặt ngàm khoan lắp nhanh trên trục quay của dụng cụ. Nắm lấy nắp thay của ngàm khoan lắp nhanh và xoay vạch nắp thay đến biểu tượng  cho đến khi nào nghe tiếng click vào khớp rõ ràng.

Chọn chế độ hoạt động

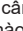
Khoan đóng búa

- **Hình6:** 1. Nút khóa 2. Nút thay đổi chế độ hoạt động

Để khoan vào bê tông, hồ vữa, v.v..., hãy nhấn nút khóa và xoay nút chuyển chế độ hoạt động sang biểu tượng . Sử dụng đầu mũi bịt tungsten-các-bua.


Chỉ khoan

- **Hình7:** 1. Chỉ khoan

Để khoan vào gỗ, kim loại hoặc vật liệu nhựa, hãy nhấn nút khóa và xoay nút chuyển chế độ hoạt động sang biểu tượng . Sử dụng đầu mũi khoan xoắn hoặc đầu mũi khoan gỗ.

Chỉ đóng búa

- **Hình8:** 1. Chỉ đóng búa

Để đập phá, đánh vảy hoặc làm các hoạt động phá dỡ, hãy nhấn nút khóa và xoay nút chuyển chế độ hoạt động sang biểu tượng . Sử dụng đầu đục, mũi đục nguội, mũi đục đánh vảy, v.v...

⚠ THẬN TRỌNG:

- Không xoay nút chuyển chế độ hoạt động khi dụng cụ đang chạy có tải. Dụng cụ sẽ bị hư hỏng.
- Để tránh mài mòn nhanh đối với cơ cấu chuyển chế độ, đảm bảo rằng nút chuyển chế độ hoạt động phải luôn được đặt đúng một trong ba vị trí chế độ hoạt động.

Bộ phận giới hạn lực vặn xiết

Bộ phận giới hạn lực vặn xiết sẽ khởi hoạt khi đạt tới một mức lực vặn xiết nhất định. Động cơ sẽ được ngắt khỏi trục dẫn động. Khi điều này xảy ra, đầu mũi sẽ ngừng xoay.

⚠ THẬN TRỌNG:

- Khi bộ phận giới hạn lực vặn xiết khởi hoạt, hãy tắt dụng cụ ngay càng sớm khi có thể. Điều này sẽ giúp ngăn ngừa dụng cụ bị mài mòn quá sớm.
- Các đầu mũi chẳng hạn như cưa lỗ có khuynh hướng dễ dàng bị kẹt hoặc kẹt vào trong lỗ sẽ không phù hợp với dụng cụ này. Điều này là do chúng sẽ làm cho bộ phận giới hạn lực vặn xiết khởi hoạt quá thường xuyên.

LẮP RÁP

⚠ THẬN TRỌNG:

- Luôn luôn đảm bảo rằng dụng cụ đã được tắt và tháo phích cắm trước khi dùng dụng cụ thực hiện bất cứ công việc nào.

Tay cầm hông (tay cầm phụ)

- **Hình9:** 1. Đế tay cầm 2. Tay cầm hông 3. Nơi lồng 4. Vặn chặt 5. Ràng 6. Phần nhớ ra

⚠ THẬN TRỌNG:

- Luôn sử dụng tay cầm hông để đảm bảo vận hành an toàn.

Lắp đặt tay cầm hông sao cho răng của tay cầm khớp vào giữa phần nhô ra của tang trống dụng cụ. Sau đó vặn chặt tay cầm bằng cách xoay theo chiều kim đồng hồ đến vị trí mong muốn. Tay cầm có thể xoay 360° để được giữ chặt ở bất cứ vị trí nào.

Dầu tra đầu mũi

Phủ lên phía trước thân đầu mũi một lượng nhỏ dầu tra đầu mũi (khoảng 0,5 - 1 g).

Chất bôi trơn ngàm này nhằm đảm bảo vận hành trôi chảy và kéo dài tuổi thọ dụng cụ hơn.

Lắp đặt hoặc tháo gỡ mũi vít

- **Hình10:** 1. Đầu gắn mũi 2. Dầu tra đầu mũi

Vệ sinh thân đầu mũi và bôi dầu tra đầu mũi trước khi lắp đầu mũi.

- **Hình11:** 1. Đầu mũi 2. Nắp ngàm

Lắp đầu mũi và dụng cụ. Xoay đầu mũi và nhấn vào cho đến khi nào vào khớp.

Sau khi lắp, hãy luôn đảm bảo rằng mũi vít đã được giữ chắc chắn đúng vị trí bằng cách thử kéo ra.

Đề tháo mũi vít, kéo nắp ngàm xuống hết mức và kéo đầu mũi ra.

► **Hình12:** 1. Đầu mũi 2. Nắp ngàm

Góc nghiêng đầu mũi (khí đập phá, đánh vảy hoặc phá dỡ)

► **Hình13:** 1. Nút khóa 2. Núm thay đổi chế độ hoạt động

Đầu mũi có thể được giữ ở một góc nghiêng mong muốn. Để thay đổi góc nghiêng đầu mũi, hãy nhấn nút khóa và xoay núm chuyển chế độ hoạt động sang biểu tượng **O**. Xoay đầu mũi về góc nghiêng mong muốn. Nhấn nút khóa và xoay núm chuyển chế độ hoạt động sang **↑** biểu tượng. Sau đó đảm bảo rằng mũi vít đã được giữ chắc chắn đúng vị trí bằng cách xoay nhẹ.

► **Hình14**

Thanh đo sâu

► **Hình15:** 1. Thanh đo sâu

Thanh đo sâu rất thuận tiện để khoan các lỗ có chiều sâu đồng nhất. Vận lỏng tay cầm hồng và lắp thanh đo sâu vào lỗ trong tay cầm hồng. Điều chỉnh thanh đo sâu đến độ sâu mong muốn và vận chặt tay cầm hồng.

LƯU Ý:

- Thanh đo sâu không thể dùng ở vị trí nơi thanh đo sâu vướng vào hộp số.

Ổng chứa bụi

► **Hình16:** 1. Ổng chứa bụi

Sử dụng ống chứa bụi để ngăn ngừa bụi rơi lên dụng cụ và lên người bạn khi thực hiện các thao tác khoan cao quá đầu. Gắn ống chứa bụi và đầu mũi như trình bày trong hình. Kích thước của đầu mũi mà ống chứa bụi có thể gắn vào như sau.

	Đường kính đầu mũi
Ổng chứa bụi 5	6 mm - 14,5 mm
Ổng chứa bụi 9	12 mm - 16 mm

VẬN HÀNH

Thao tác khoan búa

► **Hình17**

Cài núm chuyển chế độ đến biểu tượng **↑**.

Định vị đầu mũi vào vị trí mong muốn cho lỗ khoan, sau đó kéo cần khởi động công tắc.

Không dùng lực đối với dụng cụ máy. Ấn nhẹ sẽ mang lại kết quả tốt nhất. Giữ cho dụng cụ ở đúng vị trí và ngăn không bị trượt khỏi lỗ khoan.

Không được nhấn mạnh thêm khi lỗ khoan bắt đầu bị kẹt bởi các vụn và các hạt. Thay vào đó, hãy chạy dụng cụ ở chế độ chờ, sau đó tháo riêng mũi khoan khỏi lỗ. Bằng cách lặp lại thao tác này vài lần, lỗ khoan sẽ được sạch sẽ và có thể tiếp tục khoan bình thường.

⚠ THẬN TRỌNG:

- Sẽ có lực xoắn rất lớn và bất ngờ trên dụng cụ/mũi khoan lúc lỗ khoan được xuyên thủng, khi lỗ khoan bắt đầu bị kẹt bởi các hạt vụn và hạt hoặc khi dụng cụ vào các thép gia cường có trong bê-tông. Luôn sử dụng tay cầm hồng (tay cầm phụ) và giữ chặt dụng cụ bằng cả hai tay cầm hồng và đổi tay cầm trong lúc vận hành. Không làm như vậy có thể mất điều khiển dụng cụ và gây thương tích nghiêm trọng.

LƯU Ý: Có thể bị lệch tâm khi xoay đầu mũi trong lúc vận hành dụng cụ không tải. Dụng cụ sẽ tự động chỉnh đúng tâm trong lúc vận hành. Điều này không ảnh hưởng đến độ chính xác khi khoan.

Bóng thổi khí (phụ kiện tùy chọn)

► **Hình18:** 1. Bóng thổi khí

Sau khi khoan lỗ, sử dụng bóng thổi khí để vệ sinh bụi bắn ra khỏi lỗ.

Đục/Đập/Phá hủy

► **Hình19**

Cài núm chuyển chế độ đến biểu tượng **↑**.

Cầm chắc dụng cụ bằng cả hai tay. Bật dụng cụ lên và nắm giữ dụng cụ với lực vừa đủ sao cho dụng cụ không bị rung bật, không kiểm soát được. Việc ấn rất mạnh lên dụng cụ sẽ không làm tăng hiệu quả sử dụng.

Khoan vào gỗ hoặc kim loại

► **Hình20:** 1. Thanh dẫn ngàm 2. Ngàm khoan không cần khóa

► **Hình21:** 1. Ngàm lắp nhanh cho loại SDS-plus 2. Vạch nắp thay 3. Nắp thay

► **Hình22:** 1. Trục quay 2. Ngàm khoan lắp nhanh 3. Vạch nắp thay 4. Nắp thay

► **Hình23:** 1. Trục ngoài 2. Vòng 3. Ngàm khoan lắp nhanh

Đối với kiểu HR2470/HR2470F

Sử dụng bộ phận ngàm khoan tùy chọn. Khi lắp nó, tham khảo phần "Lắp hoặc tháo đầu mũi" được mô tả ở trang trước.

Đối với kiểu HR2470T/HR2470FT

Sử dụng ngàm khoan lắp nhanh làm thiết bị tiêu chuẩn. Khi lắp nó, tham khảo phần "thay đổi ngàm lắp nhanh dành cho loại SDS-plus" được mô tả ở trang trước. Giữ vòng và xoay trụ ngoài ngược chiều kim đồng hồ để mở các mấu ngàm kẹp. Đặt đầu mũi vào trong ngàm kẹp hết mức có thể. Giữ chặt vòng và xoay trụ ngoài theo chiều kim đồng hồ để vận chặt ngàm. Để tháo mũi khoan, giữ vòng và xoay trụ ngoài ngược chiều kim đồng hồ.


Cài núm chuyển chế độ đến biểu tượng **↑**.

Bạn có thể khoan lỗ đường kính lên đến 13mm vào kim loại và lên đến 32mm khi khoan vào gỗ.

⚠ THẬN TRỌNG:

- Không bao giờ sử dụng chế độ “khoan đóng búa” khi ngàm khoan lắp nhanh được lắp trên dụng cụ. Ngàm khoan lắp nhanh có thể bị hỏng. Ngoài ra, ngàm khoan sẽ rơi ra khi đảo chiều xoay dụng cụ.
- Nhấn dụng cụ quá mức sẽ không tăng tốc độ khoan lên được. Trên thực tế, việc nhấn mạnh thêm này sẽ chỉ làm gây hỏng đầu mũi của bạn, giảm hiệu năng và tuổi thọ hoạt động của dụng cụ.
- Sẽ có lực xoay rất lớn trên dụng cụ/mũi khoan lúc lỗ khoan được xuyên thủng. Giữ chặt dụng cụ và chuẩn bị ghìm lực quán tính lại khi mũi khoan xuyên thủng vật gia công.
- Mũi khoan bị kẹt có thể được tháo ra đơn giản bằng cách đặt công tắc đảo chiều sang chế độ xoay ngược lại để rút mũi khoan ra. Tuy nhiên, dụng cụ có thể quay ngược ra bất ngờ nếu bạn không giữ chặt.
- Luôn luôn giữ chặt các phôi gia công có kích thước nhỏ bằng kim hoặc dụng cụ kẹp tương tự.

Khoan bằng lõi kim cương

Khi tiến hành hoạt động khoan bằng lõi kim cương, luôn đặt cần thay đổi về vị trí  để sử dụng thao tác “chỉ khoan”.

⚠ THẬN TRỌNG:

- Nếu thực hiện các thao tác khoan bằng lõi kim cương ở chế độ “khoan đóng búa”, đầu mũi lõi kim cương có thể bị hư hỏng.

BẢO TRÌ

⚠ THẬN TRỌNG:

- Luôn bảo đảm rằng dụng cụ được tắt điện và rút phích cắm trước khi thử thực hiện việc kiểm tra hoặc bảo trì.
- Không bao giờ dùng xăng, ết xăng, dung môi, cồn hoặc hóa chất tương tự. Có thể xảy ra hiện tượng mất màu, biến dạng hoặc nứt vỡ.

Để đảm bảo AN TOÀN và TIN CẬY của sản phẩm, việc sửa chữa, việc kiểm tra và thay thế chổi các-bon, hoặc bất cứ thao tác bảo trì, điều chỉnh nào đều phải được thực hiện bởi các Trung tâm Dịch vụ Được Ủy quyền của Makita (Makita Authorized Service Center), luôn sử dụng các phụ tùng thiết bị thay thế của Makita.

PHỤ KIỆN TỰY CHỌN

⚠ THẬN TRỌNG:

- Các phụ kiện hoặc phụ tùng gắn thêm này được khuyến cáo sử dụng với dụng cụ Makita của bạn theo như quy định trong hướng dẫn này. Việc sử dụng bất cứ phụ kiện hoặc phụ tùng gắn thêm nào khác đều có thể gây ra rủi ro thương tích cho người. Chỉ sử dụng phụ kiện hoặc phụ tùng gắn thêm cho mục đích đã quy định sẵn của chúng.

Nếu bạn cần bất kỳ sự hỗ trợ nào để biết thêm chi tiết về các phụ tùng này, hãy hỏi Trung tâm Dịch vụ của Makita tại địa phương của bạn.

- Đầu mũi bịt SDS-Plus các-bua
- Đầu đục
- Mũi đục nguội
- Mũi đục đánh vẩy
- Mũi đục rãnh
- Bộ phận ngàm khoan
- Ngàm khoan S13
- Thanh dẫn ngàm
- Khóa ngàm S13
- Dầu tra đầu mũi
- Tay cầm hồng
- Thanh đo sâu
- Bóng thổi khí
- Ống chứa bụi
- Phụ tùng bộ hút bụi
- Kính bảo hộ
- Hộp nhựa chứa dụng cụ
- Ngàm khoan không cần khóa

LƯU Ý:

- Một số mục trong danh sách có thể được bao gồm trong gói dụng cụ làm phụ kiện tiêu chuẩn. Các mục này ở mỗi quốc gia có thể khác nhau.

ข้อมูลจำเพาะ

รุ่น		HR2470/HR2470F	HR2470T/HR2470FT
สมรรถนะ	คอนกรีต	ดอกสว่านปลายทั้งสแตนคาร์ไบด์	24 mm
		แกนดอกสว่าน	54 mm
		ดอกสว่านแกนเพชร (ชนิดแห้ง)	65 mm
	โลหะ		13 mm
	ไม้		32 mm
ความเร็วขณะหมุนเปล่า (min ⁻¹)		0 - 1,100	
อัตราการเจาะกระแทกต่อนาที		0 - 4,500	
ความยาวโดยรวม		370 mm	394 mm
น้ำหนักสุทธิ		2.9 kg	3.0 kg
มาตรฐานความปลอดภัย		□/II	

- เนื่องจากโปรแกรมการค้นคว้าพัฒนาอย่างต่อเนื่องของเรา ข้อมูลจำเพาะอาจมีการเปลี่ยนแปลงโดยไม่แจ้งให้ทราบล่วงหน้า
- ข้อมูลจำเพาะอาจแตกต่างกันไปในแต่ละประเทศ
- น้ำหนักตามข้อบังคับของ EPTA 01/2003

สัญลักษณ์

สัญลักษณ์ที่ใช้สำหรับอุปกรณ์มีดังต่อไปนี้ โปรดศึกษาความหมายของสัญลักษณ์ให้เข้าใจก่อนการใช้งาน



อ่านคู่มือการใช้งาน



ฉนวนสองชั้น



สำหรับประเทศในสหภาพยุโรปเท่านั้น ห้ามทิ้งอุปกรณ์ไฟฟ้ารวมกับขยะครัวเรือนทั่วไป เพื่อให้เป็นไปตามกฎระเบียบของยุโรปเกี่ยวกับขยะจำพวกอุปกรณ์ไฟฟ้าและอิเล็กทรอนิกส์ และการปฏิบัติตามกฎหมายในประเทศ ต้องเก็บอุปกรณ์ไฟฟ้าทั้งหมดอายุการใช้งานแล้วแยกต่างหาก และส่งกลับไปยังศูนย์รีไซเคิลที่เป็นมิตรต่อสิ่งแวดล้อม

จุดประสงค์ในการใช้งาน

เครื่องมือนี้ใช้สำหรับการเจาะกระแทกและการเจาะอิฐ คอนกรีต หิน และงานสกัด

เครื่องมือนี้ยังเหมาะสมกับงานเจาะแบบไร้แรงกระแทกบน ไม้ โลหะ เซรามิก และพลาสติกด้วย

แหล่งจ่ายไฟ

ควรเชื่อมต่อเครื่องมือกับแหล่งจ่ายไฟที่มีแรงดันไฟฟ้าตามที่ระบุไว้ในป้ายข้อมูลของเครื่องมือ และต้องใช้ไฟฟ้ากระแสสลับแบบเฟสเดียวเท่านั้น อุปกรณ์นี้ได้รับการหุ้มฉนวนสองชั้นและสามารถใช้กับปลั๊กไฟที่ไม่มีสายดินได้

คำเตือนด้านความปลอดภัยของเครื่องมือไฟฟ้าทั่วไป

⚠ คำเตือน อ่านคำเตือนด้านความปลอดภัยและคำแนะนำทั้งหมดก่อนใช้งาน การไม่ปฏิบัติตามคำเตือนและคำแนะนำดังกล่าวอาจส่งผลให้ไฟฟ้าช็อต ไฟไหม้ และ/หรือได้รับบาดเจ็บร้ายแรง

เก็บรักษาคำเตือนและคำแนะนำทั้งหมดไว้

เป็นข้อมูลอ้างอิงในอนาคต

คำว่า “เครื่องมือไฟฟ้า” ในคำเตือนนี้หมายถึงเครื่องมือไฟฟ้า (มีสาย) ที่ทำงานโดยใช้กระแสไฟฟ้า หรือเครื่องมือไฟฟ้า (ไร้สาย) ที่ทำงานโดยใช้แบตเตอรี่

ความปลอดภัยของพื้นที่ทำงาน

1. ดูแลพื้นที่ทำงานให้มีความสะอาดและมีแสงไฟสว่าง พื้นที่ที่กระเบื้องกระเบื้องหรือมีดที่บิ่นอาจนำไปสู่การเกิดอุบัติเหตุได้
2. อย่าใช้งานเครื่องมือไฟฟ้าในสภาพที่อาจเกิดการระเบิด เช่น ในสถานที่ที่มีของเหลว ก๊าซ หรือฝุ่นผงที่มีคุณสมบัติไวไฟ เครื่องมือไฟฟ้าอาจสร้างประกายไฟและจุดชนวนฝุ่นผงหรือก๊าซดังกล่าว
3. ดูแลไม่ให้มีเด็กหรือบุคคลอื่นอยู่ในบริเวณที่กำลังใช้เครื่องมือไฟฟ้า การมีสิ่งรบกวนสมาธิอาจทำให้คุณสูญเสียการควบคุม

ความปลอดภัยด้านไฟฟ้า

4. ปลั๊กของเครื่องมือไฟฟ้าต้องพอดีกับเต้ารับ อย่าดัดแปลงปลั๊กไม่ว่ากรณีใดๆ อย่าใช้ปลั๊กอะแดปเตอร์กับเครื่องมือไฟฟ้าที่ต่อสายดิน ปลั๊กที่ไม่ถูกดัดแปลงและเต้ารับที่เข้ากันพอดีจะช่วยลดความเสี่ยงของการเกิดไฟฟ้าช็อต
5. ระวังอย่าให้ร่างกายสัมผัสกับพื้นผิวที่ต่อสายดิน เช่น ท่อ เครื่องนำความร้อน เต้าหุงต้ม และตู้เย็น มีความเสี่ยงที่จะเกิดไฟฟ้าช็อตสูงขึ้น หากร่างกายของคุณสัมผัสกับพื้น
6. อย่าให้เครื่องมือไฟฟ้าถูกน้ำหรืออยู่ในสภาพเปียกชื้น น้ำที่ไหลเข้าไปในเครื่องมือไฟฟ้าจะเพิ่มความเสี่ยงของการเกิดไฟฟ้าช็อต
7. อย่าใช้สายไฟอย่างไม่เหมาะสม อย่าใช้สายไฟเพื่อยก ดึง หรือถอดปลั๊กเครื่องมือไฟฟ้า เก็บสายไฟให้ห่างจากความร้อน น้ำมัน ของมีคม หรือชิ้นส่วนที่เคลื่อนที่ สายที่ชำรุดหรือพันกันจะเพิ่มความเสี่ยงของการเกิดไฟฟ้าช็อต
8. ขณะที่ใช้งานเครื่องมือไฟฟ้ากลางแจ้ง ควรใช้สายต่อพ่วงที่เหมาะสมกับงานกลางแจ้ง การใช้สายที่เหมาะสมกับงานกลางแจ้งจะลดความเสี่ยงของการเกิดไฟฟ้าช็อต
9. หากต้องใช้งานเครื่องมือไฟฟ้าในสถานที่เปียกชื้น ให้ใช้อุปกรณ์ป้องกันกระแสไฟรั่ว (RCD) การใช้ RCD จะลดความเสี่ยงของการเกิดไฟฟ้าช็อต
10. แนะนำให้ใช้แหล่งจ่ายไฟผ่าน RCD ที่มีกระแสไฟรั่วในอัตราไม่เกิน 30mA เสมอ

ความปลอดภัยส่วนบุคคล

11. ให้ระมัดระวังและมีสติอยู่เสมอขณะใช้งานเครื่องมือไฟฟ้า อย่าใช้งานเครื่องมือไฟฟ้าในขณะที่คุณกำลังเหนื่อย หรือในสภาพที่มึนเมาจากยาเสพติด เครื่องดื่ม แอลกอฮอล์ หรือการกินยา ช่วงขณะที่ขาดความระมัดระวังเมื่อกำลังใช้งานเครื่องมือไฟฟ้าอาจทำให้ได้รับบาดเจ็บร้ายแรง
12. ใช้อุปกรณ์ป้องกันส่วนบุคคล สวมแว่นตาป้องกันเสมอ อุปกรณ์ป้องกัน เช่น หน้ากากกันฝุ่น รองเท้านิรภัย กันสั่น หมวกนิรภัย หรืออุปกรณ์ป้องกันเสียงที่ใช้ในสภาพที่เหมาะสมจะช่วยลดการบาดเจ็บ
13. ป้องกันไม่ให้เกิดการเปิดใช้งานโดยไม่ตั้งใจ ตรวจสอบให้แน่ใจว่าสวิตช์ปิดอยู่ก่อนที่จะเชื่อมต่อกับแหล่งจ่ายไฟ และ/หรือชุดแบตเตอรี่ รวมทั้งตรวจสอบก่อนการยกหรือเคลื่อนย้ายเครื่องมือ การสอดนิ้วมือบริเวณสวิตช์เพื่อถือเครื่องมือไฟฟ้า หรือการชาร์จไฟเครื่องมือไฟฟ้าในขณะที่เปิดสวิตช์อยู่อาจนำไปสู่การเกิดอุบัติเหตุ
14. นำคู่มือฉบับปรับปรุงหรือประกาศออกก่อนที่จะเปิดเครื่องมือไฟฟ้า ประแจหรือคู่มือที่เสียบค้างอยู่ในชิ้นส่วนที่หมุนไต่ของเครื่องมือไฟฟ้าอาจทำให้ได้รับบาดเจ็บ
15. อย่าทำงานในระยะที่สูดเอื้อม จัดท่าการยืนและการทรงตัวให้เหมาะสมตลอดเวลา เพราะจะทำให้ควบคุมเครื่องมือไฟฟ้าได้ดีขึ้นในสถานการณ์ที่ไม่คาดคิด
16. แต่งกายให้เหมาะสม อย่าสวมเครื่องแต่งกายที่หลวมเกินไป หรือสวมเครื่องประดับ ดูแลไม่ให้เส้นผม เสื้อผ้า และถุงมืออยู่ใกล้ชิ้นส่วนที่เคลื่อนที่ เสื้อผ้า รุ่มร่าม เครื่องประดับ หรือผมที่มีความยาวอาจเข้าไปติดในชิ้นส่วนที่เคลื่อนที่
17. หากมีการจัดอุปกรณ์สำหรับดูดและจับฝุ่นไว้ในสถานที่ ให้ตรวจสอบว่าได้เชื่อมต่อและใช้งานอุปกรณ์นั้นอย่างเหมาะสม การใช้เครื่องดูดและจับฝุ่นจะช่วยลดอันตรายที่เกิดจากฝุ่นผงได้

การใช้และดูแลเครื่องมือไฟฟ้า

18. อย่าฝืนใช้เครื่องมือไฟฟ้า ใช้เครื่องมือไฟฟ้าที่เหมาะสมกับการใช้งานของคุณ เครื่องมือไฟฟ้าที่เหมาะสมจะทำให้ได้งานที่มีประสิทธิภาพและปลอดภัยกว่าตามขีดความสามารถของเครื่องที่ได้รับการออกแบบมา
19. อย่าใช้เครื่องมือไฟฟ้า หากสวิตช์ไม่สามารถเปิดปิดได้ เครื่องมือไฟฟ้าที่ควบคุมด้วยสวิตช์ไม่ได้เป็นสิ่งอันตรายและต้องได้รับการซ่อมแซม

20. ถอดปลั๊กจากแหล่งจ่ายไฟ และ/หรือชุดแบตเตอรี่ออกจากเครื่องมือไฟฟ้าก่อนทำการปรับตั้ง เปลี่ยนอุปกรณ์เสริม หรือจัดเก็บเครื่องมือไฟฟ้า วิธีการป้องกันด้านความปลอดภัยดังกล่าวจะช่วยลดความเสี่ยงของการเปิดใช้งานเครื่องมือไฟฟ้าอย่างไม่ตั้งใจ
 21. จัดเก็บเครื่องมือไฟฟ้าที่ไม่ได้ใช้งานให้ห่างจากมือเด็ก และอย่าอนุญาตให้บุคคลที่ไม่คุ้นเคยกับเครื่องมือไฟฟ้าหรือคำแนะนำเหล่านี้ใช้งานเครื่องมือไฟฟ้า เครื่องมือไฟฟ้าจะเป็นอันตรายเมื่ออยู่ในมือของผู้ที่ไม่ได้รับการฝึกอบรม
 22. การดูแลรักษาเครื่องมือไฟฟ้า ตรวจสอบการประกอบที่ไม่ถูกต้องหรือการเชื่อมต่อของชิ้นส่วนที่เคลื่อนที่ การแตกหักของชิ้นส่วน หรือสภาพอื่น ๆ ที่อาจส่งผลกระทบต่อการทำงานของเครื่องมือไฟฟ้า หากมีความเสียหาย ให้นำเครื่องมือไฟฟ้าไปซ่อมแซมก่อนการใช้งาน อุบัติเหตุจำนวนมากเกิดจากการดูแลรักษาเครื่องมือไฟฟ้าอย่างไม่ถูกต้อง
 23. ทำความสะอาดเครื่องมือตัดและลับให้คมอยู่เสมอ เครื่องมือตัดที่มีการดูแลรักษาอย่างถูกต้องและมีขอบตัดคมมักจะไม่มีปัญหาติดขัดน้อยและควบคุมได้ง่ายกว่า
 24. ใช้เครื่องมือไฟฟ้า อุปกรณ์เสริม และวัสดุสิ้นเปลือง ฯลฯ ตามคำแนะนำดังกล่าว พิจารณาสภาพการทำงานและงานที่จะลงมือทำ การใช้เครื่องมือไฟฟ้าเพื่อทำงานอื่นนอกเหนือจากที่กำหนดไว้อาจทำให้เกิดอันตราย
- การซ่อมบำรุง
25. นำเครื่องมือไฟฟ้าเข้ารับบริการจากช่างซ่อมที่ผ่านการรับรองโดยใช้อะไหล่แบบเดียวกันเท่านั้น เพราะจะทำให้การใช้เครื่องมือไฟฟ้ามีความปลอดภัย
 26. ปฏิบัติตามคำแนะนำในการหล่อลื่นและการเปลี่ยนอุปกรณ์เสริม
 27. ดูแลมือจับให้แห้ง สะอาด และไม่มีน้ำมันและจาระบีเปื้อน

คำเตือนด้านความปลอดภัยของส่วนเจาะ กระแทกแบบโรตารี

1. สวมใส่อุปกรณ์ป้องกันเสียง เสียงที่ดังเกินขนาดอาจทำให้สูญเสียการได้ยิน
2. ใช้มือจับเสริม หากมีมากับเครื่องมือ การสูญเสียการควบคุมอาจทำให้ได้รับบาดเจ็บได้

3. ถือเครื่องมือบริเวณมือจับที่เป็นฉนวน ขณะทำงานที่เครื่องมือตัดอาจสัมผัสกับสายไฟที่ซ่อนอยู่หรือสายไฟของเครื่องเอง หากอุปกรณ์ส่วนที่ใช้ตัดสัมผัสกับสายไฟที่มี “กระแสไฟฟ้าไหลผ่าน” อาจทำให้ส่วนที่เป็นโลหะของเครื่องมือไฟฟ้าที่ไม่มีฉนวนหุ้มมี “กระแสไฟฟ้าไหลผ่าน” และอาจส่งผลให้ผู้ปฏิบัติงานถูกไฟฟ้าช็อตได้
4. สวมหมวกแข็ง (หมวกนิรภัย) แวนนิรภัย และ/หรือ หน้ากากป้องกัน แวนตาปติหรือแวนกันแดดไม่ใช่ แวนนิรภัย และขอแนะนำอย่างยิ่งให้สวมหมวกกันฝุ่นและถุงมือหนาๆ
5. ตรวจสอบให้แน่ใจว่าดอกสว่านยึดแน่นเข้าที่ดีแล้วก่อนการใช้งาน
6. ภายใต้การทำงานปกติ เครื่องมือได้รับการออกแบบมาเพื่อสร้างแรงสั่นสะเทือน ดังนั้น สกรูต่างๆ จะหลวมได้ง่าย ซึ่งอาจทำให้เครื่องเสียหายหรือเกิดอุบัติเหตุ ตรวจสอบให้แน่ใจว่าชิ้นสกรูแน่นดีแล้วก่อนการใช้งาน
7. ในสภาพอากาศหนาวหรือเมื่อไม่มีการใช้เครื่องมือเป็นระยะเวลานาน ต้องอุ่นเครื่องมือสักครู่โดยการเปิดเครื่องทิ้งไว้เฉยๆ เพื่อให้มีการหล่อลื่น หากไม่มีการอุ่นเครื่องมืออย่างเหมาะสม การเจาะกระแทกจะทำไต่ยาก
8. ตรวจสอบบริเวณที่ยืนให้มีความมั่นคงเสมอ ตรวจสอบให้แน่ใจว่าไม่มีคนอยู่ด้านล่างเมื่อใช้งานเครื่องมือบนที่สูง
9. จับเครื่องมือให้แน่นด้วยมือทั้งสองข้าง
10. ระวังอย่าให้มือสัมผัสกับชิ้นส่วนที่เคลื่อนที่
11. อย่าปล่อยให้เครื่องมือทำงานค้างไว้ ใช้งานเครื่องมือเฉพาะเมื่อจับด้วยมือเท่านั้น
12. อย่าใช้เครื่องมือเข้าไปที่บุคคลใดในพื้นที่ทำงานขณะใช้งาน ดอกสว่านอาจกระเด็นออกและทำให้ได้รับบาดเจ็บสาหัสได้
13. ห้ามสัมผัสกับดอกสว่านหรือชิ้นส่วนที่ใกล้กับดอกสว่านทันทีที่ทำงานเสร็จ เนื่องจากอาจมีความร้อนสูงและทำให้ผิวหนังไหม้ได้
14. วัสดุบางอย่างอาจมีสารเคมีที่เป็นพิษ ระวังอย่าสูดดมฝุ่นหรือสัมผัสกับผิวหนัง ปฏิบัติตามข้อมูลด้านความปลอดภัยของผู้ผลิตวัสดุ

ปฏิบัติตามคำแนะนำเหล่านี้

⚠ คำเตือน: อย่าให้ความไม่ระมัดระวังหรือความคุ้นเคยกับผลิตภัณฑ์ (จากการใช้งานซ้ำหลายครั้ง) อยู่เหนือการปฏิบัติตามกฎเกณฑ์ด้านความปลอดภัยในการใช้งานผลิตภัณฑ์อย่างเคร่งครัด การใช้งานที่ผิดหรือไม่ปฏิบัติตามกฎความปลอดภัยที่ระบุไว้ในคู่มือการใช้งานนี้อาจทำให้ได้รับบาดเจ็บสาหัสได้

คำอธิบายการทำงาน

⚠ ข้อควรระวัง:

- ตรวจสอบให้แน่ใจเสมอว่าปิดสวิตช์เครื่องมือและถอดปลั๊กแล้วก่อนทำการปรับหรือตรวจสอบฟังก์ชันบนเครื่องมือ

การทำงานของสวิตช์

▶ หมายเลข 1: 1. สวิตช์สั่งงาน 2. ปุ่มล๊อค

⚠ ข้อควรระวัง:

- ก่อนเสียบปลั๊กเครื่องมือ ให้ตรวจสอบทุกครั้งว่าสวิตช์สั่งงานสามารถทำงานได้อย่างถูกต้อง และกลับไปยังตำแหน่ง "OFF" เมื่อปล่อย

การเริ่มใช้งานเครื่องมือ เพียงแค่กดสวิตช์สั่งงาน ความเร็วของเครื่องมือจะเพิ่มขึ้นเมื่อออกแรงกดที่สวิตช์สั่งงานมากขึ้น ปล่อยสวิตช์สั่งงานเพื่อหยุด ถ้าต้องการให้เครื่องมือทำงานอย่างต่อเนื่อง ให้กดสวิตช์สั่งงานและกดปุ่มล๊อค ถ้าต้องการเลิกใช้งานเครื่องมือในตำแหน่งล๊อค ให้กดสวิตช์สั่งงานจนสุด จากนั้นปล่อยสวิตช์

การเปิดดวงไฟ

สำหรับรุ่น HR2470F/2470FT

▶ หมายเลข 2: 1. ไฟ

⚠ ข้อควรระวัง:

- อย่ามองเข้าไปในดวงไฟหรือจ้องดูแหล่งกำเนิดแสงโดยตรง

เมื่อต้องการเปิดไฟ ให้ดึงสวิตช์สั่งงาน ปล่อยสวิตช์สั่งงานเพื่อปิดไฟ

หมายเหตุ:

- ใช้ผ้าแห้งเพื่อเช็ดสิ่งสกปรกออกจากเลนส์ของดวงไฟ ระวังอย่าขีดข่วนเลนส์ของดวงไฟ ไม่เช่นนั้นอาจทำให้ส่องสว่างได้น้อยลง

การใช้งานสวิตช์เปลี่ยนทิศทาง

▶ หมายเลข 3: 1. ก้านสวิตช์เปลี่ยนทิศทาง

⚠ ข้อควรระวัง:

- ตรวจสอบทิศทางการหมุนก่อนการใช้งานเสมอ
- ใช้สวิตช์เปลี่ยนทิศทางหลังจากเครื่องมือหยุดสนิทแล้วเท่านั้น การเปลี่ยนทิศทางก่อนเครื่องมือหยุดสนิทอาจทำให้เครื่องมือเสียหายได้
- ถ้าไม่สามารถกดสวิตช์สั่งงานได้ ให้ตรวจสอบสวิตช์เปลี่ยนทิศทางให้อยู่ในตำแหน่ง ◀ (ด้าน A) หรือ ▶ (ด้าน B)

เครื่องมือนี้มีสวิตช์เปลี่ยนทิศทาง เพื่อใช้เปลี่ยนทิศทางการหมุน เลื่อนก้านสวิตช์เปลี่ยนทิศทางไปที่ตำแหน่ง ◀ (ด้าน A) เพื่อให้หมุนแบบตามเข็มนาฬิกา หรือตำแหน่ง ▶ (ด้าน B) เพื่อให้หมุนแบบทวนเข็มนาฬิกา

การเปลี่ยนหัวจับถอดเปลี่ยนเร็วสำหรับ

SDS-พลัส

สำหรับรุ่น HR2470T/HR2470FT



หัวจับถอดเปลี่ยนเร็วสำหรับ SDS-พลัส สามารถสลับเปลี่ยนได้ง่ายเพื่อให้เปลี่ยนหัวจับดอกสว่านได้อย่างรวดเร็ว

การถอดหัวจับถอดเปลี่ยนเร็วสำหรับ SDS-พลัส

▶ หมายเลข 4: 1. หัวจับถอดเปลี่ยนเร็วสำหรับ SDS-พลัส 2. เส้นผ่าครอบเปลี่ยน 3. ผาครอบเปลี่ยน



⚠ ข้อควรระวัง:


- ก่อนที่จะถอดหัวจับถอดเปลี่ยนเร็วสำหรับ SDS-พลัส ให้ถอดดอกสว่านออกเสมอ

จับฝาเปลี่ยนของหัวจับถอดเปลี่ยนเร็วสำหรับ SDS-พลัส แล้วหมุนในทิศทางตามลูกศรจนเส้นผ่าครอบเปลี่ยนเลื่อนจากสัญลักษณ์  ไปที่สัญลักษณ์  ใช้แรงดึงไปตามทิศทางของลูกศร

การใส่หัวจับดอกสว่านถอดเปลี่ยนเร็ว

▶ หมายเลข 5: 1. แกนหมุน 2. หัวจับดอกสว่านถอดเปลี่ยนเร็ว 3. เส้นผ่าครอบเปลี่ยน 4. ผาครอบเปลี่ยน


ตรวจสอบเส้นของหัวจับดอกสว่านถอดเปลี่ยนเร็วว่าแสดงสัญลักษณ์  จับฝาครอบเปลี่ยนของหัวจับดอกสว่านถอดเปลี่ยนเร็ว แล้วตั้งเส้นไปที่สัญลักษณ์ 

วางหัวจับดอกสว่านถอดเปลี่ยนเร็วลงบนแกนหมุนของเครื่องมือ
จับฝาครอบเปลี่ยนของหัวจับดอกสว่านถอดเปลี่ยนเร็วแล้วหมุนเส้นฝาครอบเปลี่ยนไปที่สัญลักษณ์  จนได้ยินเสียงคลิกดังชัดเจน

การเลือกโหมดการทำงาน


การหมุนพร้อมกระแทก

► **หมายเลข 6:** 1. ปุ่มล็อค 2. ปุ่มหมุนเปลี่ยนโหมดการทำงาน

สำหรับการเจาะคอนกรีต อิฐปูน ฯลฯ ให้กดปุ่มล็อคและหมุนปุ่มหมุนเลือกโหมดการทำงานไปยังเครื่องหมาย  ใช้ดอกสว่านปลายทั้งสแตนคาร์ไบด์


การหมุนอย่างเดียว

► **หมายเลข 7:** 1. การหมุนอย่างเดียว

สำหรับการเจาะไม้ เหล็ก หรือวัสดุพลาสติก ให้กดปุ่มล็อคและหมุนปุ่มหมุนเลือกโหมดการทำงานไปยังเครื่องหมาย  ใช้ดอกสว่านเกลียวหรือดอกสว่านเจาะไม้

การกระแทกอย่างเดียว

► **หมายเลข 8:** 1. การกระแทกอย่างเดียว

สำหรับการสกัด กระเทาะ กระแทก ให้กดปุ่มล็อคและหมุนปุ่มหมุนเลือกโหมดการทำงานไปยังเครื่องหมาย  ใช้ดอกสว่านปากแหลม ดอกสว่านปากแบน ดอกสว่านแบนใหญ่ ฯลฯ

⚠️ ข้อควรระวัง:

- อย่าหมุนปุ่มหมุนเลือกโหมดการทำงานในขณะที่เครื่องมือทำงานหรือมีโหลดการทำงานอยู่ เครื่องมือจะเสียหายได้
- เพื่อหลีกเลี่ยงการสึกหรออย่างรวดเร็วของกลไกการเปลี่ยนโหมดการทำงาน ให้แน่ใจว่าปุ่มหมุนเปลี่ยนโหมดนั้นอยู่ตรงกับตำแหน่งใดตำแหน่งหนึ่งจากสามตำแหน่งอย่างแน่นอน

ตัวจำกัดแรงบิด

ตัวจำกัดแรงบิดจะทำงานเมื่อแรงบิดขึ้นไปถึงระดับหนึ่งมอเตอร์จะผล่ออกจากเพลาส่งกำลัง เมื่อเป็นเช่นนี้ ดอกสว่านจะหยุดหมุน

⚠️ ข้อควรระวัง:

- เมื่อตัวจำกัดแรงบิดทำงาน ให้ปิดสวิตช์เครื่องมือทันที ทั้งนี้เพื่อช่วยป้องกันการสึกหรอก่อนกำหนดของเครื่องมือ
- ดอกสว่านเช่นเลื่อยเจาะรู มักขบหรือติดกับรูได้ง่ายและไม่เหมาะสำหรับเครื่องมือนี้ เนื่องจากจะทำให้ตัวจำกัดแรงบิดทำงานบ่อยเกินไป

การประกอบ

⚠️ ข้อควรระวัง:

- ตรวจสอบให้แน่ใจเสมอว่าปิดเครื่องมือและถอดปลั๊กแล้วก่อนดำเนินงานใดๆ กับเครื่องมือ

ด้ามจับด้านข้าง (มือจับเสริม)

► **หมายเลข 9:** 1. ฐานด้ามจับ 2. ด้ามจับด้านข้าง 3. คลาย 4. ชั้นแน่น 5. ฟันเฟือง 6. ส่วนที่ยื่นออกมา

⚠️ ข้อควรระวัง:

- ใช้ด้ามจับด้านข้างเสมอเพื่อความปลอดภัยในการทำงาน

ติดตั้งด้ามจับด้านข้าง โดยให้ฟันเฟืองของด้ามจับอยู่ระหว่างส่วนที่ยื่นออกมาของเครื่องมือ จากนั้นขันด้ามจับโดยการหมุนตามเข็มนาฬิกาตรงตำแหน่งที่ต้องการ ซึ่งอาจจะหมุน 360° เพื่อให้ยึดแน่นที่ตำแหน่งใดตำแหน่งหนึ่ง

จาระบีดอกสว่าน

เคลือบหัวกันดอกสว่านก่อนด้วยจาระบีดอกสว่านจำนวนเล็กน้อย (ประมาณ 0.5 - 1 g)
การหล่อลื่นหัวจับนี้ช่วยให้มั่นใจถึงการทำงานที่ราบเรียบและอายุการใช้งานที่ยาวนานขึ้น

การติดตั้งหรือการถอดดอกสว่าน

▶ **หมายเลข 10:** 1. ก้านดอกสว่าน 2. จาระบีดอกสว่าน
ทำความสะอาดก้านดอกสว่านและทาจาระบีดอกสว่านก่อนติดตั้งดอกสว่าน

▶ **หมายเลข 11:** 1. ดอกสว่าน 2. ฝาครอบหัวจับ

ใส่ดอกสว่านลงในเครื่องมือ หมุนและดันดอกสว่านจนกระทั่งเข้าที่

หลังจากการติดตั้ง ตรวจสอบให้แน่ใจว่าดอกสว่านยึดแน่นเข้าที่ดีแล้วโดยลองพยายามดึงออก

เมื่อต้องการถอดดอกสว่านออก ให้ดึงฝาครอบหัวจับลงจนสุดและดึงดอกสว่านออก

▶ **หมายเลข 12:** 1. ดอกสว่าน 2. ฝาครอบหัวจับ

มุมดอกสว่าน (เมื่อทำการสกัด กะเทาะ หรือ กระแทก)

▶ **หมายเลข 13:** 1. ปุ่มล๊อค 2. ปุ่มหมุนเปลี่ยนโหมดการทำงาน

ดอกสว่านสามารถปรับมุมได้ตามต้องการ เพื่อเปลี่ยนมุมดอกสว่าน ให้กดปุ่มล๊อคแล้วหมุนปุ่มหมุนเลือกโหมดการทำงานไปยังตำแหน่ง O หมุนดอกสว่านไปยังมุมที่ต้องการ กดปุ่มล๊อคแล้วหมุนปุ่มหมุนเลือกโหมดการทำงานไปยังสัญลักษณ์ Π จากนั้นตรวจสอบให้แน่ใจว่าดอกสว่านนั้นถูกยึดเข้าที่อย่างแน่นหนาด้วยการหมุนเบาๆ

▶ **หมายเลข 14**

เกจวัดความลึก

▶ **หมายเลข 15:** 1. เกจวัดความลึก

เกจวัดความลึกให้ความสะดวกสำหรับการเจาะรูที่มีความลึกเท่ากัน คลายด้ามจับด้านข้างออกและใส่เกจวัดความลึกเข้าไปในรูของฐานด้ามจับ ปรับเกจวัดความลึกไปที่ระดับความลึกที่ต้องการ จากนั้นขันด้ามจับด้านข้างให้แน่น

หมายเหตุ:

- เกจวัดความลึกไม่สามารถใช้ที่ตำแหน่งที่เกจชนกับเรือนเกียร์ได้

ถ้ายึดฝัก

▶ **หมายเลข 16:** 1. ถ้ายึดฝัก

ใช้ถ้ายึดฝักเพื่อป้องกันไม่ให้ฝักร่วงหล่นลงบนเครื่องมือและบนตัวคุณเมื่อทำงานเจาะเหนือศีรษะ ติดถ้ายึดฝักเข้ากับดอกสว่านตามที่แสดงในภาพ ขนาดของดอกสว่านที่ถ้ายึดฝักฝักจะสามารถติดเข้าด้วยได้มีดังนี้

	เส้นผ่านศูนย์กลางดอกสว่าน
ถ้ายึดฝัก 5	6 mm - 14.5 mm
ถ้ายึดฝัก 9	12 mm - 16 mm

การใช้งาน

การใช้งานการเจาะกระแทก

▶ **หมายเลข 17**

ตั้งปุ่มเปลี่ยนโหมดการทำงานไปที่สัญลักษณ์ Π

วางตำแหน่งดอกสว่านที่ตำแหน่งที่ต้องการเจาะรู แล้วดึงสวิตช์สั่งงาน

อย่าฝืนใช้เครื่องมือ การใช้แรงกดเบาๆ จะให้ผลดีที่สุด จับเครื่องมือให้อยู่ในตำแหน่งและระวังไม่ให้เลื่อนออกจากรู

อย่าใช้แรงกดมากขึ้นเมื่อมีเศษวัสดุอุดตันที่รู ให้ใช้งานเครื่องมือที่รอบเดินเบาแทน จากนั้นดึงดอกสว่านบางส่วนออกมาจากรู การทำแบบนี้ซ้ำหลายๆ ครั้งจะทำให้รูสะอาดและสามารถทำการเจาะได้ตามขนาดปกติ

⚠ ข้อควรระวัง:

- จะมีแรงบิดบนเครื่องมือ/ดอกสว่านอย่างมากทันทีขณะเจาะรูทะลุ เมื่อมีเศษวัสดุอุดตันที่รู หรือเมื่อปะทะกับเหล็กเสริมในคอนกรีต ใช้ด้ามจับด้านข้าง (มือจับเสริม) เสมอ และจับเครื่องมือให้แน่นด้วยด้ามจับด้านข้างและมือจับสวิตช์ในระหว่างการใช้งาน การไม่ปฏิบัติตามขั้นตอนดังกล่าวอาจทำให้ไม่สามารถควบคุมเครื่องมือและได้รับบาดเจ็บรุนแรง

หมายเหตุ: ความผิดปกติในการหมุนดอกสว่านอาจเกิดขึ้นในระหว่างทำงานแบบหมุนเปล่า เครื่องมือจะตั้งศูนย์ให้เองในระหว่างการทำงาน ซึ่งจะไม่ส่งผลกระทบต่อความแม่นยำในการเจาะ

กระเปาะยางเป่าลม (อุปกรณ์เสริม)

▶ **หมายเลข 18:** 1. กระเปาะยางเป่าลม

หลังการเจาะรู ใช้กระเปาะยางเป่าลมเพื่อเป่าฝุ่นออกจากรู

การสกัด/กะเทาะ/กระแทก

► หมายเลข 19

ตั้งปุ่มเปลี่ยนโหมดการทำงานไปที่สัญลักษณ์ **⏏** จับเครื่องมือให้แน่นด้วยมือทั้งสองข้าง เปิดสวิตช์เครื่องมือ และใช้แรงกดเครื่องมือเล็กน้อย เพื่อไม่ให้เครื่องมือติดกลับ จนไม่สามารถควบคุมได้ การกดเครื่องมือแรงๆ จะไม่เพิ่มประสิทธิภาพการทำงาน

การเจาะไม้หรือโลหะ

► หมายเลข 20: 1. ตัวแปลงหัวจับ 2. หัวจับดอกสว่าน แบบไม่มีก๊อญแจ

► หมายเลข 21: 1. หัวจับถอดเปลี่ยนเร็วสำหรับ SDS-พลัส 2. เส้นผ่าครอปเปลี่ยน 3. ผ่าครอปเปลี่ยน

► หมายเลข 22: 1. แกนหมุน 2. หัวจับดอกสว่านถอดเปลี่ยนเร็ว 3. เส้นผ่าครอปเปลี่ยน 4. ผ่าครอปเปลี่ยน

► หมายเลข 23: 1. ปลอก 2. แหวน 3. หัวจับดอกสว่านถอดเปลี่ยนเร็ว

สำหรับรุ่น HR2470/HR2470F

ใช้ตัวแปลงหัวจับดอกสว่านที่เป็นอุปกรณ์เสริม เมื่อติดตั้งให้ดูคำอธิบาย “การติดตั้งหรือการถอดดอกสว่าน” ในหน้าที่ผ่านมา

สำหรับรุ่น HR2470T/HR2470FT

ใช้หัวจับดอกสว่านถอดเปลี่ยนเร็วเป็นอุปกรณ์มาตรฐาน เมื่อทำการใส่ตัวแปลง ให้ดูคำอธิบาย “การเปลี่ยนหัวจับถอดเปลี่ยนเร็วสำหรับ SDS-พลัส” ในหน้าที่ผ่านมา จับแหวนและหมุนปลอกทวนเข็มนาฬิกาเพื่อเปิดฟันของหัวจับ ใส่ดอกสว่านลงไปในหัวจับจนสุด ยึดแหวนไว้ให้แน่น และหมุนปลอกตามเข็มนาฬิกาเพื่อขันแน่นหัวจับ การถอดดอกสว่านออก ให้จับแหวนและหมุนปลอกทวนเข็มนาฬิกา ตั้งปุ่มเปลี่ยนโหมดการทำงานไปที่สัญลักษณ์ **⏏** คุณสามารถเจาะรูที่มีเส้นผ่านศูนย์กลางสูงสุดถึง 13 mm ในโลหะ และ 32 mm ในไม้

⚠ ข้อควรระวัง:

- ห้ามใช้โหมด “การหมุนพร้อมกระแทก” เมื่อติดตั้งหัวจับดอกสว่านถอดเปลี่ยนเร็วบนเครื่องมือ หัวจับดอกสว่านถอดเปลี่ยนเร็วอาจเสียหาย นอกจากนี้ หัวจับดอกสว่านอาจหลุดออกมาเมื่อเปลี่ยนทิศทางหมุนของเครื่องมือด้วย
- การออกแรงกดบนเครื่องมือไม่ช่วยให้การเจาะเร็วขึ้น ตามข้อเท็จจริงแล้ว แรงกดที่มากเกินไปจะ ทำให้ปลายดอกสว่านเสียหาย ลดประสิทธิภาพการทำงานและอายุการใช้งานของเครื่องมือ
- จะมีแรงบิดบนเครื่องมือ/ดอกสว่านอย่างมากขณะเจาะรูทะลุ จับเครื่องมือให้แน่นและระมัดระวังเมื่อดอกสว่านเริ่มเจาะทะลุขึ้นงาน
- ดอกสว่านที่ติดอยู่ที่ชิ้นงานสามารถนำออกมาได้ง่ายโดยการตั้งค่าสวิตช์เปลี่ยนทิศทางให้ดอกสว่านหมุนย้อนกลับ อย่างไรก็ตาม เครื่องมืออาจจะถอยออกทันทีโดยที่คุณไม่ทันตั้งตัว คุณจึงควรจับเครื่องมือไว้ให้แน่น
- ยึดชิ้นงานขนาดเล็กด้วยปากกาจับงานหรืออุปกรณ์จับยึดที่คล้ายกันนี้เสมอ

การเจาะด้วยดอกสว่านแกนเพชร

เมื่อทำการเจาะด้วยดอกสว่านแกนเพชร ให้ตั้งก้านเปลี่ยนไปที่ตำแหน่ง **Ⓜ** เพื่อใช้การทำงานแบบ “การหมุนอย่างเดียว”

⚠ ข้อควรระวัง:

- หากทำการเจาะด้วยดอกสว่านแกนเพชรโดยใช้การทำงานแบบ “การหมุนพร้อมกระแทก” ดอกสว่านแกนเพชรอาจเสียหายได้

การบำรุงรักษา

⚠ ข้อควรระวัง:

- ตรวจสอบให้แน่ใจเสมอว่าปิดสวิตช์เครื่องมือและถอดปลั๊กออกแล้วก่อนดำเนินการตรวจสอบหรือบำรุงรักษา
- ห้ามใช้แก๊สโซลีน เบนซิน ทินเนอร์ แอลกอฮอล์ หรือสิ่งอื่นที่คล้ายกันนี้ เนื่องจากอาจทำให้สีซีดจางเสียหาย หรือแตกร้าได้

เพื่อความปลอดภัยและความน่าเชื่อถือของผลิตภัณฑ์ ควรให้ศูนย์บริการที่ผ่านการรับรองจาก Makita เป็นผู้ดำเนินการซ่อมแซม ตรวจสอบ และเปลี่ยนแปลงคาร์บอน บำรุงรักษา หรือทำการปรับตั้งอื่นๆ นอกจากนี้ให้ใช้อะไหล่ของแท้จาก Makita เสมอ

อุปกรณ์เสริม

⚠ ข้อควรระวัง:

- ขอแนะนำให้อุปกรณ์เสริมหรืออุปกรณ์ต่อพ่วงเหล่านี้กับเครื่องมือของ Makita ที่ระบุไว้ในคู่มือนี้ การใช้อุปกรณ์เสริมหรืออุปกรณ์ต่อพ่วงอื่นๆ อาจมีความเสี่ยงที่จะได้รับบาดเจ็บ ใช้อุปกรณ์เสริมหรืออุปกรณ์ต่อพ่วงตามวัตถุประสงค์ที่ระบุไว้เท่านั้น

หากต้องการทราบรายละเอียดเพิ่มเติมเกี่ยวกับอุปกรณ์เสริมเหล่านี้ โปรดสอบถามศูนย์บริการ Makita ใกล้บ้านคุณ

- ดอกสว่านปลาย SDS-พลัส คาร์ไบด์
- ดอกสกัดปากแหลม
- ดอกสกัดปากแบน
- ดอกสกัดแบนใหญ่
- ดอกสกัดเซาะร่อง
- ชุดหัวจับดอกสว่าน
- หัวจับดอกสว่าน S13
- ตัวแปลงหัวจับ
- ประแจขันหัวจับ S13
- จาระบีดอกสว่าน
- ด้ามจับด้านข้าง
- เกจวัดความลึก
- กระเปาะยางเป่าลม
- ถ้วยดักฝุ่น
- ที่ต่ออุปกรณ์ดูดฝุ่น
- แวนตานีรภัย
- เคสพลาสติก
- หัวจับดอกสว่านแบบไม่มีกุญแจ

หมายเหตุ:

- อุปกรณ์บางชิ้นในรายการอาจมีมาให้ในชุดเครื่องมือเป็นอุปกรณ์มาตรฐาน ซึ่งอาจแตกต่างกันไปในแต่ละประเทศ

Makita Corporation

3-11-8, Sumiyoshi-cho,

Anjo, Aichi 446-8502 Japan

www.makita.com

884704C377
EN, ZHCN, ID, MY,
VI, TH
20190621