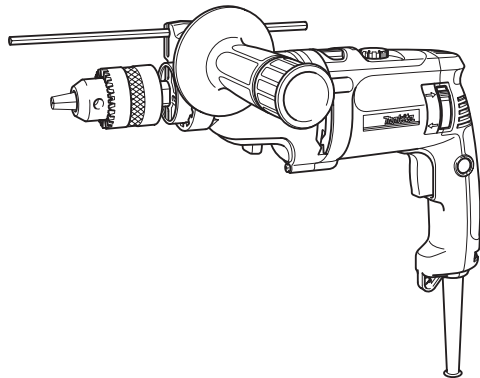




EN	2-Speed Hammer Drill	INSTRUCTION MANUAL	4
ZHCN	冲击电钻	使用说明书	9
ID	Bor Getar 2-Kecepatan	PETUNJUK PENGGUNAAN	14
MS	Gerudi Tukul Kelajuan 2	MANUAL ARAHAN	20
VI	Máy Khoan Búa 2 Tốc Độ Cầm Tay Hoạt Động Bằng Động Cơ Điện	TÀI LIỆU HƯỚNG DẪN	26
TH	สว่านไฟฟ้าแบบเจาะกระแทกความเร็ว 2 ระดับ	คู่มือการใช้งาน	31

HP2070
HP2070F
HP2071
HP2071F



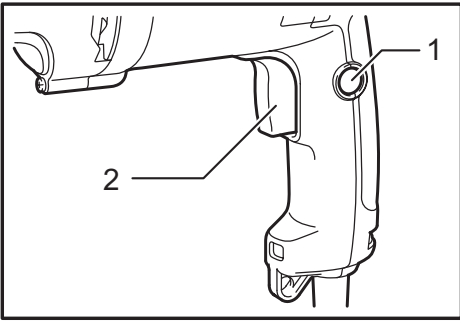


Fig.1

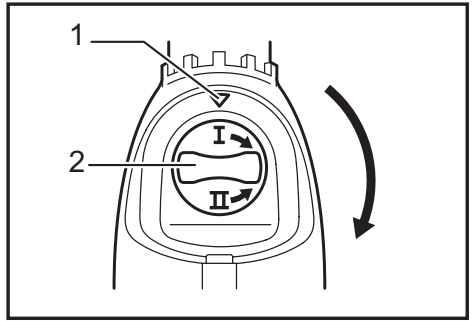


Fig.5

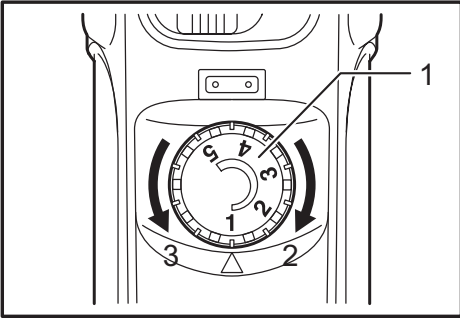


Fig.2

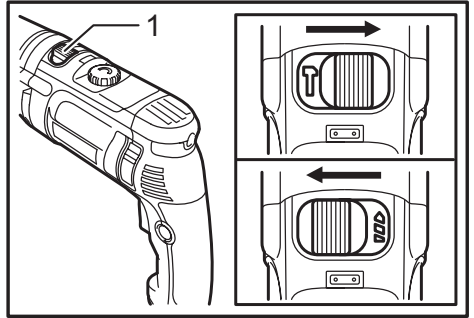


Fig.6

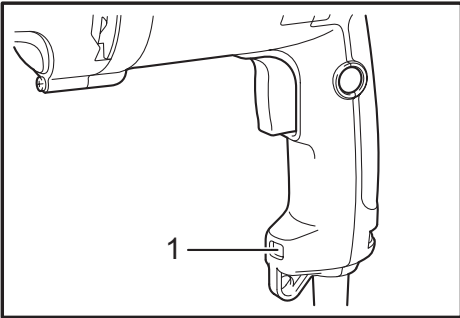


Fig.3

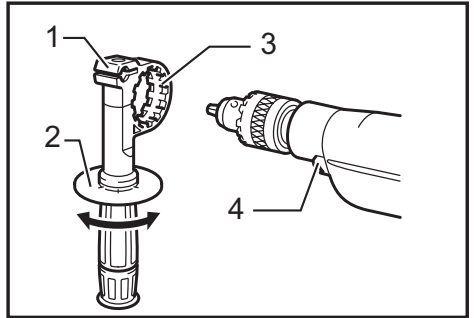


Fig.7

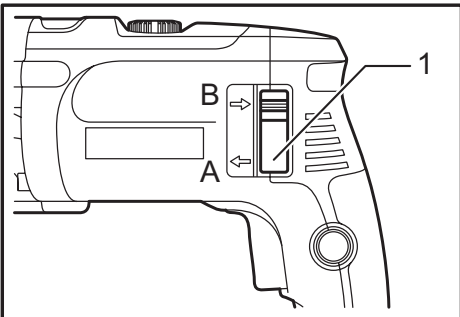


Fig.4

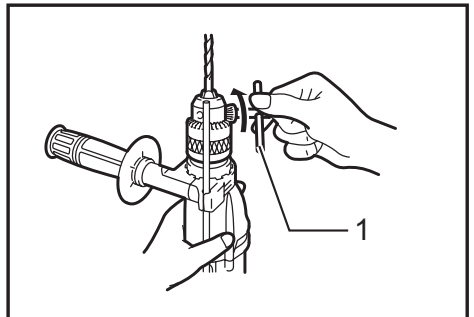


Fig.8

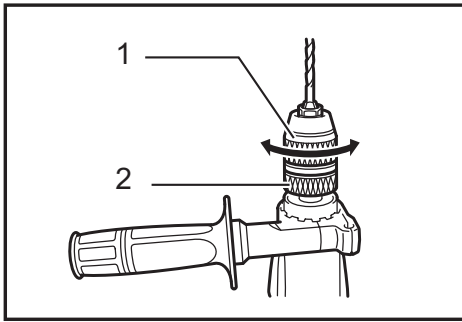


Fig.9

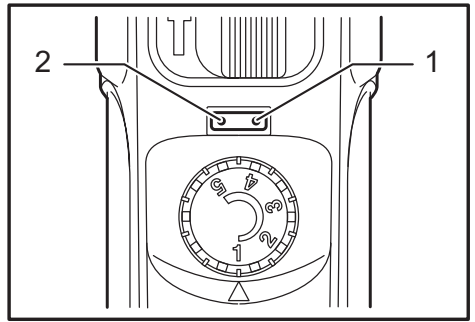


Fig.13

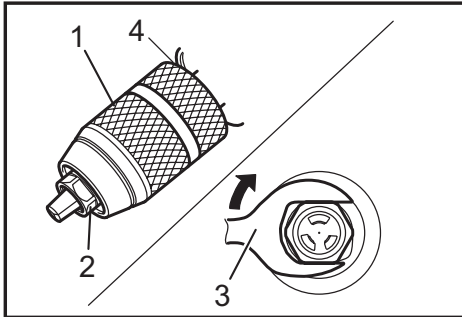


Fig.10

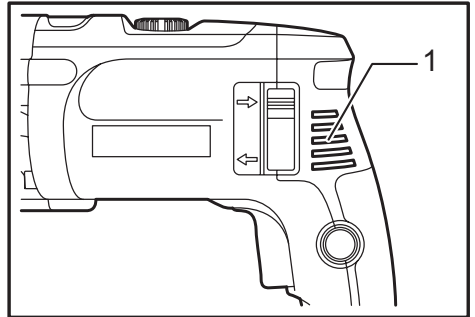


Fig.14

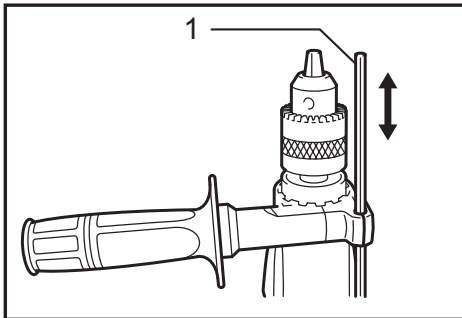


Fig.11

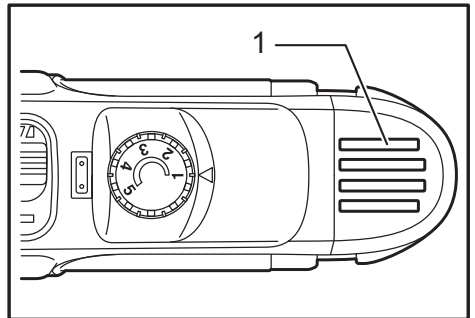


Fig.15

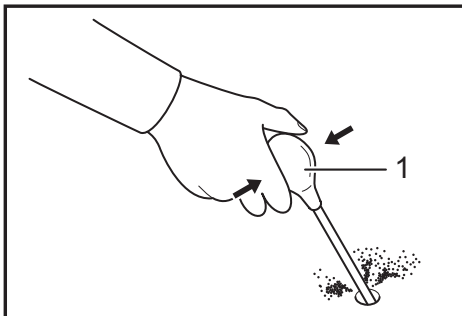


Fig.12

SPECIFICATIONS

Model		HP2070/HP2070F		HP2071/HP2071F	
Speed		High	Low	High	Low
Capacities	Concrete	20 mm	----	20 mm	----
	Steel	8 mm	16 mm	8 mm	16 mm
	Wood	25 mm	40 mm	25 mm	40 mm
No load speed (min ⁻¹)		0 - 2,900	0 - 1,200	0 - 2,900	0 - 1,200
Blows per minute		0 - 58,000	0 - 24,000	0 - 58,000	0 - 24,000
Overall length		364 mm		362 mm	
Net weight		2.6 kg		2.6 kg	
Safety class		□/II			

- Due to our continuing programme of research and development, the specifications herein are subject to change without notice.
- Specifications may differ from country to country.
- Weight according to EPTA-Procedure 01/2003

Symbols

The following show the symbols used for the equipment. Be sure that you understand their meaning before use.



Read instruction manual.



DOUBLE INSULATION



Only for EU countries
Do not dispose of electric equipment together with household waste material! In observance of the European Directive, on Waste Electric and Electronic Equipment and its implementation in accordance with national law, electric equipment that have reached the end of their life must be collected separately and returned to an environmentally compatible recycling facility.

Intended use

The tool is intended for hammer drilling and drilling in brick, concrete and stone. It is also suitable for drilling without impact in wood, metal, ceramic and plastic.

Power supply

The tool should be connected only to a power supply of the same voltage as indicated on the nameplate, and can only be operated on single-phase AC supply. They are double-insulated and can, therefore, also be used from sockets without earth wire.

General Power Tool Safety Warnings

⚠ WARNING Read all safety warnings and all instructions. Failure to follow the warnings and instructions may result in electric shock, fire and/or serious injury.

Save all warnings and instructions for future reference.

The term "power tool" in the warnings refers to your mains-operated (corded) power tool or battery-operated (cordless) power tool.

Work area safety

1. **Keep work area clean and well lit.** Cluttered or dark areas invite accidents.
2. **Do not operate power tools in explosive atmospheres, such as in the presence of flammable liquids, gases or dust.** Power tools create sparks which may ignite the dust or fumes.
3. **Keep children and bystanders away while operating a power tool.** Distractions can cause you to lose control.

Electrical safety

4. **Power tool plugs must match the outlet. Never modify the plug in any way. Do not use any adapter plugs with earthed (grounded) power tools.** Unmodified plugs and matching outlets will reduce risk of electric shock.
5. **Avoid body contact with earthed or grounded surfaces such as pipes, radiators, ranges and refrigerators.** There is an increased risk of electric shock if your body is earthed or grounded.
6. **Do not expose power tools to rain or wet conditions.** Water entering a power tool will increase the risk of electric shock.
7. **Do not abuse the cord. Never use the cord for carrying, pulling or unplugging the power tool. Keep cord away from heat, oil, sharp edges or moving parts.** Damaged or entangled cords increase the risk of electric shock.
8. **When operating a power tool outdoors, use an extension cord suitable for outdoor use.** Use of a cord suitable for outdoor use reduces the risk of electric shock.

9. **If operating a power tool in a damp location is unavoidable, use a residual current device (RCD) protected supply.** Use of an RCD reduces the risk of electric shock.
10. **Use of power supply via a RCD with a rated residual current of 30 mA or less is always recommended.**

Personal safety

11. **Stay alert, watch what you are doing and use common sense when operating a power tool. Do not use a power tool while you are tired or under the influence of drugs, alcohol or medication.** A moment of inattention while operating power tools may result in serious personal injury.
12. **Use personal protective equipment. Always wear eye protection.** Protective equipment such as dust mask, non-skid safety shoes, hard hat, or hearing protection used for appropriate conditions will reduce personal injuries.
13. **Prevent unintentional starting. Ensure the switch is in the off-position before connecting to power source and/or battery pack, picking up or carrying the tool.** Carrying power tools with your finger on the switch or energising power tools that have the switch on invites accidents.
14. **Remove any adjusting key or wrench before turning the power tool on.** A wrench or a key left attached to a rotating part of the power tool may result in personal injury.
15. **Do not overreach. Keep proper footing and balance at all times.** This enables better control of the power tool in unexpected situations.
16. **Dress properly. Do not wear loose clothing or jewellery. Keep your hair, clothing, and gloves away from moving parts.** Loose clothes, jewellery or long hair can be caught in moving parts.
17. **If devices are provided for the connection of dust extraction and collection facilities, ensure these are connected and properly used.** Use of dust collection can reduce dust-related hazards.

Power tool use and care

18. **Do not force the power tool. Use the correct power tool for your application.** The correct power tool will do the job better and safer at the rate for which it was designed.
19. **Do not use the power tool if the switch does not turn it on and off.** Any power tool that cannot be controlled with the switch is dangerous and must be repaired.
20. **Disconnect the plug from the power source and/or the battery pack from the power tool before making any adjustments, changing accessories, or storing power tools.** Such preventive safety measures reduce the risk of starting the power tool accidentally.
21. **Store idle power tools out of the reach of children and do not allow persons unfamiliar with the power tool or these instructions to operate the power tool.** Power tools are dangerous in the hands of untrained users.

22. **Maintain power tools. Check for misalignment or binding of moving parts, breakage of parts and any other condition that may affect the power tool's operation. If damaged, have the power tool repaired before use.** Many accidents are caused by poorly maintained power tools.
23. **Keep cutting tools sharp and clean.** Properly maintained cutting tools with sharp cutting edges are less likely to bind and are easier to control.
24. **Use the power tool, accessories and tool bits etc. in accordance with these instructions, taking into account the working conditions and the work to be performed.** Use of the power tool for operations different from those intended could result in a hazardous situation.

Service

25. **Have your power tool serviced by a qualified repair person using only identical replacement parts.** This will ensure that the safety of the power tool is maintained.
26. **Follow instruction for lubricating and changing accessories.**
27. **Keep handles dry, clean and free from oil and grease.**

HAMMER DRILL SAFETY WARNINGS

1. **Wear ear protectors when impact drilling.** Exposure to noise can cause hearing loss.
2. **Use auxiliary handle(s), if supplied with the tool.** Loss of control can cause personal injury.
3. **Hold power tool by insulated gripping surfaces, when performing an operation where the cutting accessory may contact hidden wiring or its own cord.** Cutting accessory contacting a "live" wire may make exposed metal parts of the power tool "live" and could give the operator an electric shock.
4. **Always be sure you have a firm footing. Be sure no one is below when using the tool in high locations.**
5. **Hold the tool firmly with both hands.**
6. **Keep hands away from rotating parts.**
7. **Do not leave the tool running. Operate the tool only when hand-held.**
8. **Do not touch the bit or the workpiece immediately after operation; they may be extremely hot and could burn your skin.**
9. **Some material contains chemicals which may be toxic. Take caution to prevent dust inhalation and skin contact. Follow material supplier safety data.**

SAVE THESE INSTRUCTIONS.

⚠WARNING: DO NOT let comfort or familiarity with product (gained from repeated use) replace strict adherence to safety rules for the subject product. **MISUSE** or failure to follow the safety rules stated in this instruction manual may cause serious personal injury.

FUNCTIONAL DESCRIPTION

⚠ CAUTION:

- Always be sure that the tool is switched off and unplugged before adjusting or checking function on the tool.

Switch action

► Fig.1: 1. Lock button 2. Switch trigger

⚠ CAUTION:

- Before plugging in the tool, always check to see that the switch trigger actuates properly and returns to the "OFF" position when released.

To start the tool, simply pull the switch trigger. Tool speed is increased by increasing pressure on the switch trigger. Release the switch trigger to stop.

For continuous operation, pull the switch trigger and then push in the lock button.

To stop the tool from the locked position, pull the switch trigger fully, then release it.

A speed adjusting dial is provided so that maximum tool speed can be limited (variable). Turn the speed adjusting dial clockwise for higher speed, and counterclockwise for lower speed.

► Fig.2: 1. Speed adjusting dial 2. Higher 3. Lower

Lighting up the lamps

For Model HP2070F, HP2071F

► Fig.3: 1. Lamp

⚠ CAUTION:

- Do not look in the light or see the source of light directly.

To turn on the lamp, pull the trigger. Release the trigger to turn it off.

NOTE:

- Use a dry cloth to wipe the dirt off the lens of lamp. Be careful not to scratch the lens of lamp, or it may lower the illumination.
- Never use gasoline or thinner to clean the lens of the lamp, or it will be damaged.

Reversing switch action

► Fig.4: 1. Reversing switch

This tool has a reversing switch to change the direction of rotation. Move the reversing switch lever to the ⇐ position (A side) for clockwise rotation or the ⇒ position (B side) for counterclockwise rotation.

⚠ CAUTION:

- Always check the direction of rotation before operation.
- Use the reversing switch only after the tool comes to a complete stop. Changing the direction of rotation before the tool stops may damage the tool.
- If the switch trigger can not be depressed, check to see that the reversing switch is fully set to position ⇐ (A side) or ⇒ (B side).

Speed change

► Fig.5: 1. Arrow 2. Speed change knob

Two speed ranges can be preselected with the speed change knob.

To change the speed, turn the speed change knob so that the arrow on the tool body points toward the "I" position on the knob for low speed or "II" position for high speed.

If it is hard to turn the knob, first turn the chuck slightly in either direction and then turn the knob again.

⚠ CAUTION:

- Use the speed change knob only after the tool comes to a complete stop. Changing the tool speed before the tool stops may damage the tool.
- Always set the speed change knob to the correct position. If you operate the tool with the speed change knob positioned halfway between the "I" and "II" position, the tool may be damaged.

Selecting the action mode

► Fig.6: 1. Action mode changing lever

This tool has an action mode change lever. For rotation with hammering, slide the action mode change lever to the right (⚡ symbol). For rotation only, slide the action mode change lever to the left (⚙ symbol).

⚠ CAUTION:

- Always slide the action mode change lever all the way to your desired mode position. If you operate the tool with the lever positioned halfway between the mode symbols, the tool may be damaged.

ASSEMBLY

⚠ CAUTION:

- Always be sure that the tool is switched off and unplugged before carrying out any work on the tool.

Installing side grip (auxiliary handle)

- **Fig.7:** 1. Grip base 2. Side grip (auxiliary handle) 3. Teeth 4. Protrusions

Always use the side grip to ensure operating safety. Install the side grip so that the teeth on the grip fit in between the protrusions on the tool barrel. Then tighten the grip by turning clockwise at the desired position. It may be swung 360° so as to be secured at any position.

Installing or removing drill bit

For Model HP2070, HP2070F

- **Fig.8:** 1. Chuck key

To install the bit, place it in the chuck as far as it will go. Tighten the chuck by hand. Place the chuck key in each of the three holes and tighten clockwise. Be sure to tighten all three chuck holes evenly.

To remove the bit, turn the chuck key counterclockwise in just one hole, then loosen the chuck by hand.

After using the chuck key, be sure to return to the original position.

For Model HP2071, HP2071F

- **Fig.9:** 1. Sleeve 2. Ring

Hold the ring and turn the sleeve counterclockwise to open the chuck jaws. Place the bit in the chuck as far as it will go. Hold the ring firmly and turn the sleeve clockwise to tighten the chuck.

To remove the bit, hold the ring and turn the sleeve counterclockwise.

NOTE:

- If the keyless drill chuck cannot be loosened because of a drill bit being caught inside the jaws of the chuck, loosen the drill chuck as follows.

- **Fig.10:** 1. Sleeve 2. Hexagonal nut 3. Wrench 19 4. Retaining ring

1. Hold the sleeve of the drill chuck firmly with water pump pliers or the like (Note: Do not hold the retaining ring portion.)
2. Place the wrench 19, adjustable wrench or one of other appropriate wrenches on the hexagonal nut at the front of the drill chuck. Turn the wrench clockwise as shown in the figure to loosen the drill chuck.

Depth gauge

- **Fig.11:** 1. Depth gauge

The depth gauge is convenient for drilling holes of uniform depth. Loosen the side grip and insert the depth gauge into the hole in the side grip. Adjust the depth gauge to the desired depth and tighten the side grip.

NOTE:

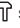
- The depth gauge cannot be used at the position where the depth gauge strikes against the tool body.

OPERATION

Hammer drilling operation

⚠ CAUTION:

- There is a tremendous and sudden twisting force exerted on the tool/bit at the time of hole break-through, when the hole becomes clogged with chips and particles, or when striking reinforcing rods embedded in the concrete. Always use the side grip (auxiliary handle) and firmly hold the tool by both side grip and switch handle during operations. Failure to do so may result in the loss of control of the tool and potentially severe injury.

When drilling in concrete, granite, tile, etc., move the action mode changing lever to the position of  symbol to use "rotation with hammering" action.

Be sure to use a tungsten-carbide tipped bit.

Position the bit at the desired location for the hole, then pull the switch trigger. Do not force the tool. Light pressure gives best results. Keep the tool in position and prevent it from slipping away from the hole.


Do not apply more pressure when the hole becomes clogged with chips or particles. Instead, run the tool at an idle, then remove the bit partially from the hole. By repeating this several times, the hole will be cleaned out and normal drilling may be resumed.

Blow-out bulb (optional accessory)

- **Fig.12:** 1. Blow-out bulb

After drilling the hole, use the blow-out bulb to clean the dust out of the hole.

Drilling operation

When drilling in wood, metal or plastic materials, move the action mode changing lever to the position of  symbol to use "rotation only" action.

Drilling in wood

When drilling in wood, the best results are obtained with wood drills equipped with a guide screw. The guide screw makes drilling easier by pulling the bit into the workpiece.

Drilling in metal

To prevent the bit from slipping when starting a hole, make an indentation with a center-punch and hammer at the point to be drilled. Place the point of the bit in the indentation and start drilling.

Use a cutting lubricant when drilling metals. The exceptions are iron and brass which should be drilled dry.

⚠ CAUTION:

- Pressing excessively on the tool will not speed up the drilling. In fact, this excessive pressure will only serve to damage the tip of your bit, decrease the tool performance and shorten the service life of the tool.
- There is a tremendous force exerted on the tool/bit at the time of hole break through. Hold the tool firmly and exert care when the bit begins to break through the workpiece.
- A stuck bit can be removed simply by setting the reversing switch to reverse rotation in order to back out. However, the tool may back out abruptly if you do not hold it firmly.
- Always secure small workpieces in a vise or similar hold-down device.

MAINTENANCE

⚠ CAUTION:

- Always be sure that the tool is switched off and unplugged before attempting to perform inspection or maintenance.
- Never use gasoline, benzene, thinner, alcohol or the like. Discoloration, deformation or cracks may result.

Indicator lamp

- **Fig.13:** 1. Power-ON indicator lamp (green)
2. Service indicator lamp (red)

The green power-ON indicator lamp lights up when the tool is switched ON. If the indicator lamp is lit but the tool does not start, the carbon brushes may be worn out, or the electric circuit or the motor may be defective. If the indicator lamp does not light up and the tool does not start, the ON/OFF switch or the mains cord may be defective.

The red service indicator lamp lights up when the tool is excessively loaded. Continued operation under such a condition will result in a failure or breakage of the tool. At this time, cool down the tool by running the tool under no load.

Cleaning vent holes

- **Fig.14:** 1. Vent holes

The tool and its air vents have to be kept clean.

Regularly clean the tool's air vents or whenever the vents start to become obstructed.

- **Fig.15:** 1. Vent holes

To maintain product SAFETY and RELIABILITY, repairs, carbon brush inspection and replacement, any other maintenance or adjustment should be performed by Makita Authorized Service Centers, always using Makita replacement parts.

OPTIONAL ACCESSORIES

⚠ CAUTION:

- These accessories or attachments are recommended for use with your Makita tool specified in this manual. The use of any other accessories or attachments might present a risk of injury to persons. Only use accessory or attachment for its stated purpose.

If you need any assistance for more details regarding these accessories, ask your local Makita Service Center.

- Tungsten-carbide tipped hammer bit
- Hole saws
- Blow-out bulb
- Safety goggles
- Keyless drill chuck 13
- Chuck key
- Grip assembly
- Depth gauge
- Plastic carrying case

NOTE:

- Some items in the list may be included in the tool package as standard accessories. They may differ from country to country.

规格

型号		HP2070/HP2070F		HP2071/HP2071F	
速度		高	低	高	低
性能	混凝土	20 mm	----	20 mm	----
	钢材	8 mm	16 mm	8 mm	16 mm
	木材	25 mm	40 mm	25 mm	40 mm
空载速度 (r/min)		0 - 2,900	0 - 1,200	0 - 2,900	0 - 1,200
每分钟锤击数		0 - 58,000	0 - 24,000	0 - 58,000	0 - 24,000
总长度		364 mm		362 mm	
净重		2.6 kg		2.6 kg	
安全等级		回/II			

- 由于持续的研发计划，生产者保留变更规格不另行通知之权利。
- 规格可能因销往国家之不同而异。
- 重量符合EPTA-Procedure 01/2003

符号

以下显示本工具使用的符号。在使用工具之前请务必理解其含义。



阅读使用说明书。



II类工具



仅限于欧盟国家
请勿将电气设备与家庭普通废弃物一同丢弃！请务必遵守欧洲关于废弃电子电气设备的指令，根据各国法律法规执行。达到使用寿命的电气设备必须分类回收至符合环境保护规定的再循环机构。

用途

本工具用于在砖块、混凝土和石头中的冲击钻孔。
也适用于木材、金属、陶瓷和塑料中的无冲击钻孔。

电源

本工具只可连接电压与铭牌所示电压相同的电源，且仅可使用单相交流电源。本工具双重绝缘，因此也可用于不带接地线的插座。

电动工具通用安全警告

⚠警告！阅读所有警告和所有说明。不遵照以下警告和说明会导致电击、着火和/或严重伤害。

保存所有警告和说明书以备查阅。

在所有下列的警告中术语“电动工具”指手电驱动（有线）电动工具或电池驱动（无线）电动工具。

工作场地的安全

1. 保持工作场地清洁和明亮。混乱和黑暗的场地会引发事故。
2. 不要在易爆环境，如有易燃液体、气体或粉尘的环境下操作电动工具。电动工具产生的火花会点燃粉尘或气体。
3. 让儿童和旁观者离开后操作电动工具。注意力不集中会使操作者失去对工具的控制。

电气安全

4. 电动工具插头必须与插座相配。绝不能以任何方式改装插头。需接地的电动工具不能使用任何转换插头。未经改装的插头和相配的插座将减少电击危险。
5. 避免人体接触接地表面，如管道、散热片和冰箱。如果你身体接地会增加电击危险。

- 不得将电动工具暴露在雨中或潮湿环境中。水进入电动工具将增加电击危险。
- 不得滥用电线。绝不用电线搬运、拉动电动工具或拔出其插头。使电线远离热源、油、锐边或运动部件。受损或缠绕的软线会增加电击危险。
- 当在户外使用电动工具时，使用适合户外使用的外接软线。适合户外使用的软线将减少电击危险。
- 如果在潮湿环境下操作电动工具是不可以避免的，应使用剩余电流动作保护器（RCD）。使用RCD可减少电击危险。
- 始终建议通过额定剩余电流为30mA或以下的RCD来使用电源。

人身安全

- 保持警觉，当操作电动工具时关注所从事的操作并保持清醒。当你感到疲倦，或在有药物、酒精或治疗反应时，不要操作电动工具。在操作电动工具时瞬间的疏忽会导致严重人身伤害。
- 使用个人防护装置。始终佩戴护目镜。安全装置，诸如适当条件下使用防尘面具、防滑安全鞋、安全帽、听力防护等装置能减少人身伤害。
- 防止意外启动。确保开关在连接电源和/或电池盒、拿起或搬运工具时处于关断位置。手指放在已接通电源的开关上或开关处于接通时插入插头可能会导致危险。
- 在电动工具接通之前，拿掉所有调节钥匙或扳手。遗留在电动工具旋转零件上的扳手或钥匙会导致人身伤害。
- 手不要伸展得太长。时刻注意立足点和身体平衡。这样在意外情况下能很好地控制电动工具。
- 着装适当。不要穿宽松衣服或佩戴饰品。让衣服、手套和头发远离运动部件。宽松衣服、配饰或长发可能会卷入运动部件中。
- 如果提供了与排屑、集尘设备连接用的装置，要确保他们连接完好且使用得当。使用这些装置可减少尘屑引起的危险。

电动工具使用和注意事项

- 不要滥用电动工具，根据用途使用适当的电动工具。选用适当设计的电动工具会使你工作更有效、更安全。
- 如果开关不能接通或关断工具电源，则不能使用该电动工具。不能用开关来控制电动工具是危险的且必须进行修理。

- 在进行任何调节、更换附件或贮存电动工具之前，必须从电源上拔掉插头和/或使电池盒与工具脱开。这种防护性措施将减少工具意外起动的危险。
- 将闲置不用的电动工具贮存在儿童所及范围之外，并且不要让不熟悉电动工具或对说明不了解的人操作电动工具。电动工具在未经培训的用户手中是危险的。
- 保养电动工具。检查运动件是否调整到位或卡住，检查零件破损情况和影响电动工具运行的其他状况。如有损坏，电动工具应在使用前修理好。许多事故由维护不良的电动工具引发。
- 保持切削刀具锋利和清洁。保养良好的有锋利切削刃的刀具不易卡住而且容易控制。
- 按照使用说明书，考虑作业条件和进行的作业来使用电动工具、附件和工具的刀头等。将电动工具用于那些与其用途不符的操作可能会导致危险。

维修

- 将你的电动工具送交专业维修人员，使用同样的备件进行修理。这样将确保所维修的电动工具的安全性。
- 上润滑油及更换附件时请遵循本说明书指示。
- 手柄务必保持干燥、清洁、无油（脂）。

冲击电钻使用安全警告

- 冲击钻孔时请佩带耳罩。噪音会损伤听力。
- 使用辅助手柄，如果附带此工具。失控会造成人身伤害。
- 当进行作业时切割附件可能会接触到隐藏的电线或自身的电线，请握住工具的绝缘抓握表面。切割附件接触到“带电”的电线时，电动工具上曝露的金属部分可能也会“带电”，并使操作者触电。
- 请务必确保立足稳固。在高处使用工具时确保下方无人。
- 需用双手握紧工具。
- 手应远离旋转的部件。
- 运行中的工具不可离手放置。只可在手握工具的情况下操作工具。
- 操作之后，请勿立刻触摸起子头或工件，因为它们可能会非常烫而导致烫伤皮肤。

9. 某些材料含有有毒化学物质。小心不要吸入粉尘，并避免皮肤接触。遵循材料供应商的安全提示。

请保留此说明书。

警告： 请勿为图方便或因对产品足够熟悉（由于重复使用而获得的经验）而不严格遵循相关产品安全规则。使用不当或不遵循使用说明书中的安全规则会导致严重的人身伤害。

功能描述

小心：

- 在调节或检查工具功能之前，请务必关闭工具电源开关并拔下电源插头。

开关操作

- **图片1:** 1. 锁定按钮 2. 开关扳机

小心：

- 插上工具电源插头之前，请务必确认开关扳机能够正常工作，松开时能回到“OFF”（关闭）位置。

启动工具时，只需扣动开关扳机即可。随着在开关扳机上施加压力的增大，工具速度会提高。松开开关扳机工具即停止。

连续操作时，扣动开关扳机并按下锁定按钮。若要从锁定位置停止工具时，可将开关扳机扣到底，然后松开。

本工具采用转速调节刻度盘，可限制工具的最大速度（可变）。顺时针转动转速调节刻度盘可以提高速度，逆时针转动则降低速度。

- **图片2:** 1. 转速调节刻度盘 2. 高速
3. 低速

点亮照明灯

HP2070F、HP2071F型号

- **图片3:** 1. 照明灯

小心：

- 请勿直视灯光或光源。

扣动扳机以打开照明灯。松开扳机以关闭照明灯。

注：

- 请用干布清除灯面上的灰尘。注意不要刮花灯镜面，否则会降低照明亮度。
- 切勿使用汽油或稀释剂清洁照明灯镜片，否则可能会导致镜片损坏。

反转开关操作

- **图片4:** 1. 反转开关

本工具设有反转开关，可改变旋转方向。向↶位置（A侧）按压反转切换柄可进行顺时针方向旋转或向↷位置（B侧）按压进行逆时针方向旋转。

小心：

- 操作前，务必检查旋转方向。
- 请在工具完全停止后，再使用反转开关。在工具停止前改变旋转方向可能会损坏工具。
- 若开关扳机无法扣动，请检查反转开关是否完全拨在↶位置（A侧）或↷位置（B侧）。

变速

- **图片5:** 1. 箭头 2. 变速钮

使用变速钮可以预选两种速度范围。要改变转速时，转动变速钮使工具机身上的箭头指向旋钮的“I”位置则低速运转或指向“II”位置则高速运转。

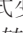

如果难以转动旋钮，请先稍微转动卡盘（任意方向），然后再转动旋钮。

小心：

- 请在工具完全停止后使用变速钮。在工具停止前改变工具速度可能会损坏工具。
- 请务必将变速钮置于正确位置。在变速钮处于“I”位置与“II”位置之间的半位时操作工具，会使工具受损。

选择动作模式

► 图片6: 1. 动作模式变换杆

本工具带有动作模式变换杆。需要旋转并作冲击动作时，请将动作模式变换杆滑动到右边（符号）。仅需要旋转时，可将动作模式变换杆滑动到左边（符号）。

⚠小心:

- 请务必将动作模式变换杆向需要的模式位置滑动到底。如果将变换杆滑动到中途位置便操作工具，则有可能使工具损坏。

装配

⚠小心:

- 对工具进行任何装配操作前请务必确认工具已关闭且已拔下电源插头。

安装侧把手（辅助手柄）

► 图片7: 1. 把手基座 2. 侧把手（辅助手柄） 3. 齿 4. 凸起部分

请务必使用侧把手以保证操作安全。安装侧把手时，请将把手的齿嵌入工具的凸起之间。然后顺时针旋紧把手至适当位置。把手可以360°旋转到任何一面，因此可以固定在任何位置。

安装或拆卸钻头

HP2070、HP2070F型号

► 图片8: 1. 卡盘键

安装钻头时，应将钻头装入卡盘，尽量将其推到底。用手旋紧卡盘。将卡盘键依次放入三个孔中并顺时针旋紧。请务必均匀旋紧三个卡盘孔。

拆下钻头时，将卡盘键插入一个孔中并逆时针旋转，然后用手拧松卡盘。用完卡盘键后，请务必将其放回原位。

HP2071、HP2071F型号

► 图片9: 1. 套筒 2. 挡圈

握住挡圈，逆时针旋转套筒打开卡盘爪。尽量将钻头放入卡盘最里侧。握紧挡圈，顺时针转动套筒以旋紧卡盘。

要卸下钻头时，握紧挡圈，然后逆时针旋转套筒。

注:

- 如果由于钻头卡在卡盘爪内而无法松开手紧式钻机卡盘时，请按以下步骤松开钻卡盘。

► 图片10: 1. 套筒 2. 六角螺母 3. 19号扳手 4. 锁紧环

1. 用水泵钳或类似工具牢牢握住钻机卡盘的套筒（注：不要握住锁紧环部分。）
2. 将19号扳手、可调节扳手或其他合适的扳手之一放在钻机卡盘前的六角螺母上。如图所示，顺时针旋转扳手以松开钻机卡盘。

深度规

► 图片11: 1. 深度规

深度规是一种使用方便，可确保钻孔深度统一的工具。拧松侧把手，并将深度规插入侧把手的孔中。调整深度规到所需深度并拧紧侧把手。

注:


- 如操作位置会造成深度规撞击机身，则请勿使用深度规。

操作

冲击钻孔操作

⚠小心:

- 钻穿时若钻孔被碎片或粉屑堵塞或冲击到混凝土中的钢筋，工具/钻头会受到极大的突然扭力。操作期间，请务必同时抓牢侧把手（辅助手柄）和开关手柄，紧紧握住工具。否则可能造成工具失控和严重伤害。


在混凝土、花岗岩、砖瓦等材料上钻孔时，请将动作模式变换杆移动到  符号的位置，使用“旋转并冲击”动作。请务必使用碳化钨钻头。将钻头对准需钻孔的位置，然后扣动开关扳机。不要强力按压工具。最好轻轻按压。将工具保持在位置上，防止从孔中滑落。当孔中有碎屑堵塞时请不要增加压力。相反，请急速旋转工具，然后逐渐从孔中取出钻头。重复此操作数次之后，钻孔将被清理干净，可重新开始钻孔。

吹气球（选购附件）

► 图片12: 1. 吹气球

钻孔后用吹气球清除孔眼中的尘土。

钻孔操作

在木材、金属或塑料材料上钻孔时，请将动作模式变换杆移动到  符号的位置，使用“仅旋转”动作。

在木材上钻孔

在木材上钻孔时，使用带有前导螺丝的木材用钻头将获得最佳效果。这种前导螺丝可令钻孔操作更加轻松。

在金属上钻孔

开始钻孔时，为了防止钻头打滑，可用一尖冲头和錘子在金属板上想要钻孔的地方打一凹痕。将钻头尖端放入凹痕，然后开始钻孔。

在金属上钻孔时请使用切割油。但在铁和铜材料上钻孔时应干钻。

⚠小心:

- 过分用力按压工具并不会提高钻孔效率。事实上，过大的压力只会损坏钻头尖，降低工具性能，缩短工具使用寿命。
- 在孔钻通时，会在钻头上产生极大的力。钻头即将钻穿工件时需握紧工具，注意力集中。
- 取出卡住的钻头时，只需将反转开关设为反向旋转便可退出工具。但如果不紧紧握住工具，工具可能突然退出。
- 请务必用虎钳或类似夹紧装置固定小型工件。

保养

⚠小心:

- 检查或保养工具之前，请务必关闭工具电源开关并拔出插头。
- 切勿使用汽油、苯、稀释剂、酒精或类似物品清洁工具。否则可能会导致工具变色、变形或出现裂缝。

指示灯

- 图片13: 1. 电源开启指示灯（绿色）
2. 维修指示灯（红色）

工具开启时，绿色的电源开启指示灯亮起。如果指示灯亮起但工具没有启动时，则可能是由于碳刷磨损或短路、电机故障的缘故。如果指示灯没有点亮且工具也没有启动时，则可能是ON/OFF开关或主要电线发生故障。工具过载时，红色的维修指示灯将亮起。在这种情况下，若继续操作会导致工具故障或破损。此时，请在无负载的情况下运行工具以冷却工具。

清洁通风孔

► 图片14: 1. 通风孔

工具及其通风孔应保持清洁。定期清洁通风口或在通风口开始被堵塞时进行清洁。

► 图片15: 1. 通风孔

为了保证产品的安全性与可靠性，任何维修、碳刷检查和更换、其它维修保养或调节工作需由Makita（牧田）授权服务中心完成。务必使用Makita（牧田）的替换部件。

选购附件

⚠小心:

- 这些附件或装置专用于本说明书所列的Makita（牧田）电动工具。其他附件或装置的使用可能会有人身伤害风险。仅可将附件或装置用于规定目的。


如您需要了解更多关于这些选购附件的信息，请咨询当地的Makita（牧田）维修服务中心。

- 碳化钨冲击钻头
- 孔锯
- 吹气球
- 安全护目镜
- 手紧式钻机卡盘13
- 卡盘键
- 把手组件
- 深度规
- 塑料携带箱

注:

- 本列表中的一些部件可能作为标准配件包含于工具包装内。它们可能因销往国家之不同而异。

SPESIFIKASI

Model		HP2070/HP2070F		HP2071/HP2071F	
Kecepatan		Tinggi	Rendah	Tinggi	Rendah
Kapasitas	Beton	20 mm	----	20 mm	----
	Baja	8 mm	16 mm	8 mm	16 mm
	Kayu	25 mm	40 mm	25 mm	40 mm
Kecepatan tanpa beban (min ⁻¹)		0 - 2.900	0 - 1.200	0 - 2.900	0 - 1.200
Hantaman per menit		0 - 58.000	0 - 24.000	0 - 58.000	0 - 24.000
Panjang keseluruhan		364 mm		362 mm	
Berat bersih		2,6 kg		2,6 kg	
Kelas keamanan					

- Karena kami terus melakukan program penelitian dan pengembangan, spesifikasi yang disebutkan di sini dapat berubah tanpa pemberitahuan.
- Spesifikasi dapat berbeda di setiap negara.
- Berat menurut Prosedur EPTA 01/2003

Simbol

Berikut ini adalah simbol-simbol yang digunakan pada peralatan ini. Pastikan Anda memahami arti masing-masing simbol sebelum menggunakan alat.



Baca petunjuk penggunaan.



ISOLASI GANDA



Hanya untuk negara-negara Uni Eropa
Jangan membuang peralatan listrik atau baterai bersama-sama dengan bahan limbah rumah tangga! Dengan memerhatikan Petunjuk Eropa, tentang Limbah Peralatan Listrik dan Elektronik serta pelaksanaannya sesuai dengan ketentuan hukum nasional, peralatan listrik yang telah habis umurnya harus dikumpulkan secara terpisah dan dikembalikan ke fasilitas daur ulang yang kompatibel secara lingkungan.

Penggunaan

Mesin ini digunakan untuk pengeboran ketuk dan mengebor batu bata, beton, dan batu. Juga cocok untuk pengeboran tanpa hentakan pada kayu, logam, keramik dan plastik.

Pasokan daya

Mesin harus terhubung dengan pasokan daya listrik yang bervoltase sama dengan yang tertera pada pelat nama, dan hanya dapat dijalankan dengan listrik AC fase tunggal. Mesin diisolasi ganda sehingga dapat juga dihubungkan dengan soket tanpa kabel arde.

Peringatan Keselamatan Umum Mesin Listrik

⚠️ PERINGATAN Bacalah semua peringatan keselamatan dan semua petunjuk. Kelalaian mematuhi peringatan dan petunjuk dapat menyebabkan sengatan listrik, kebakaran dan/atau cedera serius.

Simpanlah semua peringatan dan petunjuk untuk acuan di masa depan.

Istilah “mesin listrik” dalam semua peringatan mengacu pada mesin listrik yang dijalankan dengan sumber listrik jala-jala (berkabel) atau baterai (tanpa kabel).

Keselamatan tempat kerja

1. **Jaga tempat kerja selalu bersih dan berpenerangan cukup.** Tempat kerja yang berantakan dan gelap mengundang kecelakaan.
2. **Jangan gunakan mesin listrik dalam lingkungan yang mudah meledak, misalnya terdapat cairan, gas, atau debu yang mudah terbakar.** Mesin listrik menimbulkan bunga api yang dapat membakar debu atau uap tersebut.
3. **Jauhkan anak-anak dan orang lain saat menggunakan mesin listrik.** Jika perhatian terpecah, Anda mungkin saja kehilangan kendali.

Keamanan Kelistrikan

4. **Steker mesin listrik harus cocok dengan stopkontak. Jangan sekali-kali mengubah steker dengan cara apa pun. Jangan menggunakan steker adaptor dengan mesin listrik yang terbumi (dibumikan).** Steker yang tidak diubah dan stopkontak yang cocok akan mengurangi risiko sengatan listrik.
5. **Hindari sentuhan tubuh dengan permukaan yang terbumi atau dibumikan seperti pipa, radiator, kompor, dan kulkas.** Risiko sengatan listrik bertambah jika ada bagian tubuh Anda yang menyentuh bumi atau tanah.

6. **Jangan membiarkan mesin listrik kehujanan atau basah.** Air yang masuk ke dalam mesin listrik akan meningkatkan risiko sengatan listrik.
 7. **Jangan menyalahgunakan kabel.** Jangan sekali-kali menggunakan kabel untuk membawa, menarik, atau mencabut mesin listrik dari stopkontak. Jauhkan kabel dari panas, minyak, tepian tajam, atau bagian yang bergerak. Kabel yang rusak atau kusut memperbesar risiko sengatan listrik.
 8. **Jika menggunakan mesin listrik di luar ruangan, gunakan kabel ekstensi yang sesuai dengan penggunaan di luar ruangan.** Menggunakan kabel yang sesuai dengan penggunaan luar ruangan akan mengurangi risiko sengatan listrik.
 9. **Jika mengoperasikan mesin listrik di lokasi lembap tidak terhindarkan, gunakan pasokan daya yang dilindungi peranti imbasan arus (residual current device - RCD).** Penggunaan RCD mengurangi risiko sengatan listrik.
 10. **Disarankan untuk menggunakan pasokan daya melalui RCD dengan kapasitas arus sisa 30mA atau kurang.**
- Keselamatan Diri**
11. **Jaga kewaspadaan, perhatikan pekerjaan Anda dan gunakan akal sehat saat menggunakan mesin listrik.** Jangan menggunakan mesin listrik saat Anda lelah atau di bawah pengaruh obat-obatan, alkohol, atau dalam masa pengobatan. Sesaat saja Anda lalai saat menggunakan mesin listrik dapat menyebabkan cedera badan serius.
 12. **Gunakan alat pelindung diri. Selalu gunakan pelindung mata.** Penggunaan peralatan pelindung seperti masker debu, sepatu pengaman anti-selip, helm pengaman, atau pelindung telinga untuk kondisi yang sesuai akan mengurangi risiko cedera badan.
 13. **Cegah penyalan yang tidak disengaja. Pastikan bahwa sakelar berada dalam posisi mati (off) sebelum menghubungkan mesin ke sumber daya dan/atau paket baterai, mengangkat, atau membawanya.** Membawa mesin listrik dengan jari berada di sakelar atau mengalirkan listrik pada mesin listrik dengan sakelar hidup (on) akan mengundang kecelakaan.
 14. **Lepaskan kunci-kunci penyetel sebelum menghidupkan mesin listrik.** Kunci-kunci yang masih terpasang pada bagian mesin listrik yang berputar dapat menyebabkan cedera.
 15. **Jangan meraih terlalu jauh. Selalu jagalah pijakan dan keseimbangan.** Hal ini memungkinkan pengendalian mesin listrik yang lebih baik dalam situasi yang tidak diharapkan.
 16. **Kenakan pakaian dengan baik. Jangan memakai pakaian yang kedodoran atau perhiasan. Jaga jarak antara rambut, pakaian, dan sarung tangan Anda dengan bagian mesin yang bergerak.** Pakaian kedodoran, perhiasan, atau rambut panjang dapat tersangkut pada bagian yang bergerak.
 17. **Jika pada peranti tersedia fasilitas untuk menghisap dan mengumpulkan debu, pastikan fasilitas tersebut terhubung listrik dan digunakan dengan baik.** Penggunaan pembersih debu dapat mengurangi bahaya yang terkait dengan debu.
- Penggunaan dan pemeliharaan mesin listrik**
18. **Jangan memaksa mesin listrik. Gunakan mesin listrik yang tepat untuk keperluan Anda.** Mesin listrik yang tepat akan menuntaskan pekerjaan dengan lebih baik dan aman jika pada kecepatan sesuai rancangannya.
 19. **Jangan menggunakan mesin listrik jika sakelar tidak dapat menyalakan dan mematikannya.** Mesin listrik yang tidak dapat dikendalikan dengan sakelarnya akan berbahaya dan harus diperbaiki.
 20. **Cabut steker dari sumber listrik dan/atau paket baterai dari mesin listrik sebelum melakukan penyetelan, penggantian aksesoris, atau menyimpan mesin listrik.** Langkah keselamatan preventif tersebut mengurangi risiko hidupnya mesin secara tak sengaja.
 21. **Simpan mesin listrik jauh dari jangkauan anak-anak dan jangan biarkan orang yang tidak paham mengenai mesin listrik tersebut atau petunjuk ini untuk menggunakan mesin listrik.** Mesin listrik sangat berbahaya di tangan pengguna yang tidak terlatih.
 22. **Rawatlah mesin listrik. Periksa apakah ada bagian bergerak yang tidak sejajar atau macet, bagian yang pecah, dan kondisi lain yang dapat memengaruhi penggunaan mesin listrik. Jika rusak, perbaiki mesin listrik terlebih dahulu sebelum digunakan.** Banyak kecelakaan disebabkan oleh kurangnya pemeliharaan mesin listrik.
 23. **Jaga agar mesin pemotong tetap tajam dan bersih.** Mesin pemotong yang terawat baik dengan mata pemotong yang tajam tidak mudah macet dan lebih mudah dikendalikan.
 24. **Gunakan mesin listrik, aksesoris, dan mata mesin, dll. berdasarkan petunjuk ini, dengan memperhitungkan kondisi kerja dan jenis pekerjaan yang dilakukan.** Pemakaian mesin listrik untuk penggunaan selain yang diperuntukkan dapat menimbulkan situasi berbahaya.
- Servis**
25. **Bawa mesin listrik untuk diperbaiki hanya kepada oleh teknisi yang berkualifikasi menggunakan hanya suku cadang pengganti yang serupa.** Hal ini akan menjamin terjaganya keamanan mesin listrik.
 26. **Patuhi petunjuk pelumasan dan penggantian aksesoris.**
 27. **Jagalah agar gagang kering, bersih, serta bebas dari minyak dan gemuk.**

PERINGATAN KESELAMATAN BOR PALU

1. Kenakan pelindung telinga saat melakukan pengeboran tumbuk. Terpaan kebisingan dapat menyebabkan hilangnya pendengaran.
2. Gunakan gagang tambahan, jika disertakan bersama mesin ini. Kehilangan kendali dapat menyebabkan cedera.
3. Pegang mesin listrik pada permukaan genggam yang terisolasi saat melakukan pekerjaan bila aksesoris pemotong mungkin bersentuhan dengan kawat tersembunyi atau kabelnya sendiri. Aksesoris pemotong yang menyentuh kawat "hidup" dapat menyebabkan bagian logam pada mesin teraliri arus listrik dan menyengat pengguna.
4. Selalu pastikan Anda berdiri pada pijakan yang stabil. Pastikan tidak ada orang berada di bawah Anda saat menggunakan mesin di tempat yang tinggi.
5. Pegang mesin kuat-kuat dengan kedua tangan.
6. Jauhkan tangan dari bagian yang berputar.
7. Jangan tinggalkan mesin dalam keadaan hidup. Jalankan mesin hanya ketika digenggam dengan tangan.
8. Jangan menyentuh mata mesin atau benda kerja segera setelah pengoperasian; suhunya mungkin masih sangat panas dan dapat membakar kulit Anda.
9. Bahan tertentu mengandung zat kimia yang mungkin beracun. Hindari menghirup debu dan kontak dengan kulit. Ikuti data keselamatan bahan dari pemasok.

SIMPAN PETUNJUK INI.

PERINGATAN: JANGAN biarkan kenyamanan atau terbiasanya Anda dengan produk (karena penggunaan berulang) mengurangi kepatuhan yang ketat terhadap aturan keselamatan untuk produk yang terkait. PENYALAHGUNAAN atau kelalaian dalam mematuhi aturan keselamatan yang tertera pada petunjuk ini dapat menyebabkan cedera badan serius.

DESKRIPSI FUNGSI

PERHATIAN:

- Selalu pastikan mesin dalam keadaan mati dan steker tercabut sebelum menyatel atau memeriksa kerja mesin.

Kerja sakelar

- Gbr.1: 1. Tombol kunci 2. Pelatuk sakelar

PERHATIAN:

- Sebelum memasukkan steker, selalu pastikan pelatuk sakelar berfungsi dengan baik dan kembali ke posisi "OFF" saat dilepas.

Untuk menjalankan mesin, cukup tarik pelatuk sakelar. Kecepatan mesin akan meningkat dengan menambah tekanan pada pelatuk sakelar. Lepaskan pelatuk sakelar untuk berhenti.

Untuk penggunaan terus-menerus, tarik pelatuk sakelar dan kemudian tekan tombol kunci.

Untuk membuka penguncian mesin, tarik pelatuk sakelar sampai penuh, lalu lepaskan.

Sakelar penyatel kecepatan tersedia agar kecepatan maksimum mesin bisa dibatasi (variabel). Putar sakelar penyatel kecepatan searah jarum jam untuk kecepatan yang lebih tinggi, dan berlawanan arah jarum jam untuk kecepatan yang lebih rendah.

► Gbr.2: 1. Sakelar penyatel kecepatan 2. Lebih tinggi 3. Turunkan

Menyalakan lampu

Untuk Model HP2070F, HP2071F

- Gbr.3: 1. Lampu

PERHATIAN:

- Jangan melihat ke arah lampu atau sumber cahaya secara langsung.

Untuk menyalakan lampu, tarik pelatuk sakelar. Lepaskan pelatuk untuk mematikan.

CATATAN:

- Gunakan kain kering untuk mengelap kotoran dari lensa lampu. Berhati-hatilah agar tidak menggores lensa lampu, karena dapat menurunkan tingkat penerangannya.
- Jangan sekali-kali menggunakan bensin atau tiner untuk membersihkan lensa lampu, karena lensa dapat rusak karenanya.

Kerja sakelar pengganti arah

- Gbr.4: 1. Sakelar pengganti arah

Mesin ini memiliki sakelar pengganti arah untuk mengubah arah putaran. Gerakkan tuas sakelar pengganti arah ke posisi ⇐ (sisi A) untuk putaran searah jarum jam atau posisi ⇒ (sisi B) untuk putaran berlawanan arah jarum jam.

PERHATIAN:

- Selalu periksa arah putaran sebelum digunakan.
- Gunakan sakelar pengganti arah hanya setelah mesin benar-benar berhenti. Mengubah arah putaran sebelum mesin berhenti dapat merusak mesin.
- Jika pelatuk sakelar tidak bisa ditekan, pastikan bahwa sakelar pengganti arah diposisikan sepenuhnya ke posisi ⇐ (sisi A) atau ⇒ (sisi B).

Perubahan kecepatan

- **Gbr.5:** 1. Tanda panah 2. Knop pengubah kecepatan

Dua rentang kecepatan bisa dipilih di awal melalui knop pengubah kecepatan.

Untuk mengubah kecepatan, putar knop pengubah kecepatan sehingga tanda panah pada bodi mesin mengarah ke posisi "I" pada knop untuk kecepatan rendah atau posisi "II" untuk kecepatan tinggi.



Jika knop sulit diputar, pertama-tama putar sedikit cekam ke salah satu arah lalu putar lagi knop.

⚠PERHATIAN:

- Gunakan knop pengubah kecepatan hanya setelah mesin berhenti sepenuhnya. Mengubah kecepatan mesin sebelum mesin tersebut berhenti dapat merusak mesin.
- Selalu posisikan knop pengubah kecepatan ke posisi yang tepat. Jika Anda menggunakan mesin dengan knop pengubah kecepatan berada di posisi tengah antara posisi "I" dan "II", mesin dapat rusak.

Memilih mode kerja

- **Gbr.6:** 1. Tuas pengganti sistem kerja

Mesin ini memiliki tuas pengubah mode kerja. Untuk putaran dengan getar, geser tuas pengubah mode kerja ke kanan (simbol ). Untuk putaran saja, geser tuas pengubah mode kerja ke kiri (simbol ).

⚠PERHATIAN:

- Selalu geser tuas pengubah mode kerja hingga penuh ke posisi yang Anda inginkan. Jika anda memakai mesin dengan tuas berada di posisi tengah antara kedua simbol mode mesin dapat rusak.

PERAKITAN

⚠PERHATIAN:

- Pastikan bahwa mesin dalam keadaan mati dan steker tercabut sebelum melakukan pekerjaan apa pun pada mesin.

Memasang gagang sisi (pegangan tambahan)

- **Gbr.7:** 1. Alas gagang 2. Gagang sisi (pegangan tambahan) 3. Gigi-gigi 4. Tonjolan

Gunakan selalu gagang sisi untuk menjamin keselamatan penggunaan. Pasang gagang sisi sedemikian rupa hingga gerigi pada gagang bertemu dengan tonjolan pada silinder mesin. Lalu kencangkan gagang dengan memutarnya ke arah jarum jam hingga posisi yang diinginkan. Gagang dapat diputar 360° agar dapat ditahan di posisi mana saja.

Memasang atau melepas mata bor

Untuk Model HP2070, HP2070F

- **Gbr.8:** 1. Kunci cekam

Untuk memasang mata mesin, masukkan mata mesin ke dalam cekam sedalam mungkin. Kencangkan cekam dengan tangan. Masukkan kunci cekam ke dalam tiga lubang yang ada, lalu kencangkan searah jarum jam. Pastikan untuk mengencangkan ketiga lubang cekam secara merata.

Untuk melepas mata bor, putar kunci cekam berlawanan arah jarum jam pada satu lubang saja, lalu kendurkan mata bor dengan tangan.

Setelah menggunakan kunci cekam, pastikan untuk mengembalikannya ke posisi semula.

Untuk Model HP2071, HP2071F

- **Gbr.9:** 1. Selongsong 2. Cincin

Tahan cincin dan putar selongsong berlawanan arah jarum jam untuk membuka rahang cekam. Masukkan mata mesin ke dalam cekam sejauh mungkin. Pegang cincin dengan kuat dan putar selongsong searah jarum jam untuk mengencangkan cekam.

Untuk melepas mata bor, pegang cincin dan putar selongsong berlawanan arah jarum jam.

CATATAN:

- Jika cekam bor tanpa kunci tidak dapat dikendurkan karena mata bor tersangkut di dalam rahang cekam, kendurkan cekam bor sebagaimana berikut.

- **Gbr.10:** 1. Selongsong 2. Mur segi-enam 3. Kunci pas 19 4. Cincin penahan

1. Tahan selongsong cekam bor kuat-kuat dengan tang pompa air atau sejenisnya (Catatan: Jangan memegang bagian cincin penahan.)
2. Posisikan kunci pas 19, kunci Inggris atau salah satu kunci lain yang cocok pada mur segi-enam di depan cekam bor. Putar kunci pas searah jarum jam seperti ditunjukkan pada gambar untuk mengendurkan cekam bor.

Pengukur kedalaman

- **Gbr.11:** 1. Pengukur kedalaman

Pengukur kedalaman sangat tepat digunakan untuk menghasilkan lubang-lubang pengeboran dengan kedalaman yang seragam. Kendurkan gagang sisi dan masukkan pengukur kedalaman ke dalam lubang pada gagang sisi. Sesuaikan pengukur kedalaman pada kedalaman yang diinginkan dan kencangkan gagang sisi.

CATATAN:


- Pengukur kedalaman tidak dapat digunakan jika posisinya berlawanan dengan bodi mesin.

PENGOPERASIAN

Pengoperasian pengeboran bor palu

⚠️PERHATIAN:

- Akan timbul gaya akibat putaran yang sangat kuat dan tiba-tiba pada mesin/mata mesin saat menembus lubang, jika lubang tersumbat serpihan atau partikel, atau jika menabrak besi-besi tulangan yang terpasang di dalam beton. Selalu gunakan gagang sisi (pegangan tambahan) dan pegang mesin kuat-kuat pada kedua gagang sisi dan pegangan sakelar selama penggunaan. Kelalaian dalam melakukannya dapat menyebabkan hilangnya kendali pada mesin dan berpotensi mengakibatkan cedera berat.


Saat mengebor beton, granit, ubin, dll., pindahkan tuas pengganti sistem kerja ke posisi bersimbol  untuk menggunakan gerakan "putar dengan getaran". Pastikan Anda menggunakan mata bor berujung tungsten-carbide. Posisikan mata bor pada lokasi yang akan dibuat lubang, kemudian tarik pelatuk sakelar. Jangan memaksa mesin listrik. Penekanan ringan akan memberi hasil yang terbaik. Jaga posisi mesin dan cegah agar tidak selip dari lubang. Jangan menambah tekanan jika lubang tersumbat serpihan atau partikel. Tetapi, nyalakan mesin tanpa putaran, lalu angkat mata mesin sedikit dari lubang. Dengan melakukan hal ini beberapa kali, lubang akan bersih dan pengeboran normal bisa dilanjutkan kembali.

Penghembus angin (aksesori pilihan)

- **Gbr.12:** 1. Penghembus angin

Setelah mengebor lubang, gunakan penghembus angin untuk membersihkan lubang dari debu.

Pekerjaan pengeboran

Saat mengebor bahan kayu, logam atau plastik, gerakkan tuas pengganti sistem kerja ke posisi bersimbol  untuk menggunakan gerakan "putaran saja".

Mengebor kayu

Ketika mengebor kayu, hasil terbaik didapat dengan mata bor kayu yang dilengkapi sekrup pemandu. Sekrup pemandu mempermudah pengeboran dengan menarik mata bor ke dalam benda kerja.

Mengebor logam

Untuk mencegah mata bor selip ketika mulai membuat lubang, buatlah takik dengan peniti lalu palu pada titik yang akan dibor. Letakkan ujung mata bor pada takik dan mulailah mengebor. Gunakan pelumas pemotongan saat mengebor logam. Pengecualian untuk besi dan kuningan yang harus dibor kering.

⚠️PERHATIAN:

- Menekan mesin secara berlebihan tidak akan mempercepat pengeboran. Bahkan, tekanan yang berlebihan hanya akan merusak mata mesin Anda, mengurangi kinerja mesin dan memperpendek usia pakai mesin.
- Akan timbul gaya yang sangat kuat pada mesin/mata bor saat menembus lubang. Pegang mesin dengan kuat dan berhati-hatilah saat mata mesin bor menembus benda kerja.
- Mata mesin bor yang macet dapat dicabut dengan menyetel sakelar pembalik arah agar mesin berputar berlawanan arah untuk mundur. Tetapi, mesin bisa saja mundur mendadak jika Anda tidak memegangnya dengan kuat.
- Tahan benda kerja berukuran kecil dengan penjepit atau alat penahan lain.

PERAWATAN

⚠️PERHATIAN:

- Selalu pastikan bahwa mesin dimatikan dan steker dicabut sebelum melakukan pemeriksaan atau perawatan.
- Jangan sekali-kali menggunakan benzena, tiner, alkohol, atau bahan sejenisnya. Penggunaan bahan tersebut dapat menyebabkan perubahan warna, perubahan bentuk, atau timbulnya retakan.

Lampu indikator

- **Gbr.13:** 1. Lampu indikator daya-ON (hijau)
2. Lampu indikator servis (merah)

Lampu indikator daya-ON yang berwarna hijau menyala ketika mesin dinyalakan. Jika lampu indikator menyala tetapi mesin tidak menyala, ada kemungkinan sikat karbon sudah aus, atau rangkaian listrik atau motornya mungkin saja rusak. Jika lampu indikator dan mesin tidak menyala, mungkin ada kerusakan pada sakelar ON/OFF atau kabel utama.

Lampu indikator servis yang berwarna merah akan menyala saat mesin mengalami beban berlebihan. Melanjutkan pengoperasian dalam kondisi seperti itu akan mengakibatkan kegagalan atau kerusakan pada mesin.

Pada kondisi ini, biarkan suhu mesin turun dengan menjalankannya mesin tanpa beban.

Membersihkan lubang ventilasi

- **Gbr.14:** 1. Lubang ventilasi

Mesin dan ventilasi udara harus dijaga agar tetap bersih. Bersihkan ventilasi udara mesin secara teratur atau saat ventilasi mulai terganggu.

- **Gbr.15:** 1. Lubang ventilasi

Untuk menjaga KEAMANAN dan KEANDALAN mesin, perbaikan, pemeriksaan dan penggantian sikat karbon, serta perawatan atau penyetelan lain harus dilakukan oleh Pusat Layanan Resmi Makita, dan selalu menggunakan suku cadang pengganti buatan Makita.

AKSESORI PILIHAN

⚠️ PERHATIAN:

- Dianjurkan untuk menggunakan aksesoris atau perangkat tambahan ini dengan mesin Makita Anda yang ditentukan dalam petunjuk ini. Penggunaan aksesoris atau perangkat tambahan lain bisa menyebabkan risiko cedera pada manusia. Hanya gunakan aksesoris atau perangkat tambahan yang sesuai dengan tujuan yang telah ditetapkan.

Jika Anda memerlukan bantuan lebih terperinci berkenaan dengan aksesoris ini, tanyakan pada Pusat Layanan Makita terdekat.

- Mata bor getar berujung tungsten-carbide
- Gergaji lubang
- Penghembus angin
- Kacamata pelindung
- Cekam bor tanpa kunci 13
- Kunci cekam
- Rakitan gagang
- Pengukur kedalaman
- Tas jinjing plastik

CATATAN:

- Beberapa item dalam daftar tersebut mungkin sudah termasuk dalam paket mesin sebagai aksesoris standar. Kelengkapan mesin dapat berbeda di setiap negara.

SPESIFIKASI

Model		HP2070/HP2070F		HP2071/HP2071F	
Kelajuan		Tinggi	Rendah	Tinggi	Rendah
Kapasiti	Konkrit	20 mm	----	20 mm	----
	Keluli	8 mm	16 mm	8 mm	16 mm
	Kayu	25 mm	40 mm	25 mm	40 mm
Kelajuan tanpa beban (min ⁻¹)		0 - 2,900	0 - 1,200	0 - 2,900	0 - 1,200
Pukulan seminit		0 - 58,000	0 - 24,000	0 - 58,000	0 - 24,000
Panjang keseluruhan		364 mm		362 mm	
Berat bersih		2.6 kg		2.6 kg	
Kelas keselamatan		□/II			

- Disebabkan program penyelidikan dan pembangunan kami yang berterusan, spesifikasi yang terkandung di dalam ini adalah tertakluk kepada perubahan tanpa notis.
- Spesifikasi mungkin berbeza mengikut negara.
- Berat mengikut Prosedur EPTA 01/2003

Simbol

Berikut menunjukkan simbol-simbol yang digunakan untuk alat ini. Pastikan anda memahami maksudnya sebelum menggunakan.



Baca manual arahan.



PENEBATAN BERGANDA



Hanya untuk negara-negara Kesatuan Eropah
 Jangan buang peralatan elektrik bersama bahan sisa rumah! Dalam mematuhi Arahan Eropah mengenai Sisa Peralatan Elektrik dan Elektronik serta pelaksanaannya mengikut undang-undang negara, peralatan elektrik yang telah mencapai akhir hayatnya mesti dikumpul secara berasingan dan dikembalikan ke kemudahan kitar semula yang bersesuaian dengan alam sekitar.

Tujuan penggunaan

Alat ini bertujuan untuk penggerudian tukul dan penggerudian dalam bata, konkrit dan batu la juga sesuai untuk penggerudian tanpa impak pada kayu, logam, seramik dan plastik.

Bekalan kuasa

Alat ini perlu disambungkan hanya kepada bekalan kuasa dengan voltan yang sama seperti yang ditunjukkan pada papan nama, dan hanya boleh dikendalikan pada bekalan AC fasa tunggal. Ia mempunyai penebatan berganda dan oleh itu, ia juga boleh digunakan dari soket tanpa wayar bumi.

Amaran Keselamatan Umum Alat Kuasa

⚠️ AMARAN Baca semua amaran keselamatan dan semua arahan. Kegagalan mematuhi amaran dan arahan boleh menyebabkan kejutan elektrik, kebakaran dan/atau kecederaan serius.

Simpan semua amaran dan arahan untuk rujukan masa depan.

Istilah "alat kuasa" dalam amaran merujuk kepada alat kuasa yang menggunakan tenaga elektrik (dengan kord) atau alat kuasa yang menggunakan bateri (tanpa kord).

Keselamatan kawasan kerja

1. **Pastikan kawasan kerja bersih dan terang.** Kawasan berselerak atau gelap mengundang kemalangan.
2. **Jangan kendalikan alat kuasa dalam keadaan yang mudah meletup, seperti dalam kehadiran cecair, gas atau habuk yang mudah terbakar.** Alat kuasa menghasilkan percikan api yang boleh menyalakan debu atau wasap.
3. **Jauhkan kanak-kanak dan orang ramai semasa mengendalikan alat kuasa.** Gangguan boleh menyebabkan anda hilang kawalan.

Keselamatan elektrik

4. **Palam alat kuasa mesti sepadan dengan soket. Jangan ubah suai palam dalam apa cara sekalipun. Jangan gunakan sebarang palam penyesuai dengan alat kuasa terbumi.** Palam yang tidak diubah suai dan soket yang sepadan akan mengurangkan risiko kejutan elektrik.
5. **Elakkan sentuhan badan dengan permukaan terbumi, seperti paip, radiator, dapur dan peti sejuk.** Terdapat peningkatan risiko kejutan elektrik jika elektrik terbumi terkena badan anda.

6. **Jangan biarkan alat kuasa terkena hujan atau basah.** Air yang memasuki alat kuasa akan meningkatkan risiko kejutan elektrik.
7. **Jangan salah gunakan kord. Jangan gunakan kord untuk membawa, menarik atau mencabut palam alat kuasa. Jauhkan kord dari haba, minyak, bucu tajam atau bahagian yang bergerak.** Kord yang rosak atau tersimpul meningkatkan risiko kejutan elektrik.
8. **Semasa mengendalikan alat kuasa di luar, gunakan kord sambungan yang bersesuaian untuk kegunaan luar.** Penggunaan kord yang sesuai untuk kegunaan luar mengurangkan risiko kejutan elektrik.
9. **Sekiranya pengendalian alat kuasa di lokasi lembap tidak dapat dielakkan, gunakan bekalan peranti arus sisa (RCD) yang dilindungi.** Penggunaan RCD mengurangkan risiko kejutan elektrik.
10. **Penggunaan bekalan kuasa melalui RCD dengan arus sisa yang bernilai 30 mA atau kurang sentiasa disyorkan.**

Keselamatan diri

11. **Sentiasa berwaspada, perhatikan apa yang anda lakukan dan guna akal budi semasa mengendalikan alat kuasa. Jangan gunakan alat kuasa semasa anda letih atau di bawah pengaruh dadah, alkohol atau ubat.** Kelekaan seketika semasa mengendalikan alat kuasa boleh menyebabkan kecederaan diri yang serius.
12. **Gunakan peralatan pelindung diri. Sentiasa pakai pelindung mata.** Peralatan pelindung seperti topeng debu, kasut keselamatan tak mudah tergelincir, topi keselamatan atau pelindung pendengaran yang digunakan untuk keadaan yang sesuai akan mengurangkan kecederaan diri.
13. **Elakkan permulaan yang tidak disengajakan. Pastikan suis ditutup sebelum menyambung kepada sumber kuasa dan/atau pek bateri, semasa mengangkat atau membawa alat.** Membawa alat kuasa dengan jari anda pada suis atau alat kuasa dengan suis pada kedudukan hidup mengundang kemalangan.
14. **Alihkan sebarang kunci atau sepana pelaras sebelum menghidupkan alat kuasa.** Sepana atau kunci yang ditinggalkan pada bahagian berputar alat kuasa boleh menyebabkan kecederaan diri.
15. **Jangan lampau jangkau. Jaga pijakan dan keseimbangan yang betul pada setiap masa.** Ini membolehkan kawalan alat kuasa yang lebih baik dalam situasi yang tidak dijangka.
16. **Berpakaian dengan betul. Jangan pakai pakaian yang longgar atau barang kemas. Jauhkan rambut, pakaian, dan sarung tangan anda dari bahagian yang bergerak.** Pakaian longgar, barang kemas atau rambut yang panjang boleh terperangkap dalam bahagian yang bergerak.
17. **Jika peranti disediakan untuk sambungan kemudahan pengekstrakan dan pengumpulan habuk, pastikan ia disambung dan digunakan dengan betul.** Penggunaan pengumpulan habuk boleh mengurangkan bahaya berkaitan habuk.

Penggunaan dan penjagaan alat kuasa

18. **Jangan gunakan alat kuasa dengan kasar. Gunakan alat kuasa yang betul untuk penggunaan anda.** Alat kuasa yang betul akan melakukan tugas dengan lebih baik dan lebih selamat pada kadar mana ia direka cipta.
19. **Jangan gunakan alat kuasa jika suis tidak berfungsi untuk menghidupkan dan mematikannya.** Alat kuasa yang tidak dapat dikawal dengan suis adalah berbahaya dan mesti dibaiki.
20. **Cabut palam dari sumber kuasa dan/atau pek bateri dari alat kuasa sebelum membuat sebarang pelarasan, menukar aksesori, atau menyimpan alat kuasa.** Langkah-langkah keselamatan pencegahan sedemikian mengurangkan risiko memulakan alat kuasa secara tidak sengaja.
21. **Simpan alat kuasa yang tidak digunakan jauh dari jangkauan kanak-kanak dan jangan biarkan orang yang tidak biasa dengan alat kuasa atau arahan ini untuk mengendalikan alat kuasa.** Alat kuasa adalah berbahaya di tangan pengguna yang tidak terlatih.
22. **Menyelenggara alat kuasa. Periksa salah jajaran atau ikatan pada bahagian yang bergerak, bahagian yang pecah dan apa-apa keadaan lain yang boleh menjejaskan operasi alat kuasa. Jika rosak, baiki alat kuasa sebelum digunakan.** Kebanyakan kemalangan adalah disebabkan oleh alat kuasa yang tidak dijaga dengan baik.
23. **Pastikan alat pemotong tajam dan bersih.** Alat pemotong yang dijaga dengan betul dengan hujung pemotong yang tajam mempunyai kemungkinan yang rendah untuk terikat dan lebih mudah dikendalikan.
24. **Gunakan alat kuasa, aksesori dan alat bit dan sebagainya mengikut arahan ini dengan mengambil kira keadaan kerja dan kerja yang perlu dilakukan.** Penggunaan alat kuasa untuk operasi yang berbeza dari yang dimaksudkan boleh menyebabkan keadaan berbahaya.

Servis

25. **Pastikan alat kuasa anda diservis oleh orang yang berkelayakan dengan hanya menggunakan alat ganti yang sama.** Ini akan memastikan keselamatan alat kuasa dapat dikesalkan.
26. **Ikut arahan untuk melincir dan menukar aksesori.**
27. **Pastikan pemegang sentiasa kering, bersih dan bebas dari minyak dan gris.**

AMARAN KESELAMATAN GERUDI TUKUL

1. **Pakai pelindung telinga semasa penggerudian berimpak.** Pendedahan kepada bunyi bising boleh menyebabkan kehilangan pendengaran.
2. **Gunakan pemegang tambahan, jika dibekalkan dengan alat.** Hilang kawalan boleh menyebabkan kecederaan diri.
3. **Pegang alat kuasa dengan permukaan mencengkam tertebat apabila melakukan operasi yang aksesori pemotong mungkin tersentuh wayar tersembunyi atau kordnya sendiri.** Aksesori pemotong yang bersentuh dengan wayar "hidup" boleh menyebabkan bahagian logam terdedah alat kuasa "hidup" dan boleh memberi kejutan elektrik kepada pengendali.
4. **Sentiasa pastikan anda mempunyai tapak berpijak yang kukuh. Pastikan tiada sesiapa di bawah apabila menggunakan alat di lokasi yang tinggi.**
5. **Pegang alat dengan kukuh menggunakan kedua-dua tangan.**
6. **Jauhkan tangan daripada bahagian berpusing.**
7. **Jangan tinggalkan alat yang sedang berjalan. Kendalikan alat hanya apabila dipegang.**
8. **Jangan sentuh bit atau bahan kerja dengan serta-merta selepas operasi; ia mungkin panas dan boleh melecurkan kulit anda.**
9. **Sesetengah bahan mengandungi bahan kimia yang mungkin toksik. Sila berhati-hati untuk mencegah penyedutan habuk dan sentuhan kulit. Ikut data keselamatan pembekal bahan.**

SIMPAN ARAHAN INI.

AMARAN: JANGAN biarkan keselesaan atau kebiasaan dengan produk (daripada penggunaan berulang) menggantikan pematuhan ketat terhadap peraturan keselamatan untuk produk yang ditetapkan. SALAH GUNA atau kegagalan untuk mematuhi peraturan-peraturan keselamatan yang dinyatakan dalam manual arahan ini boleh menyebabkan kecederaan diri yang serius.

KETERANGAN FUNGSI

PERHATIAN:

- Sentiasa pastikan alat dimatikan dan palamnya dicabut sebelum menyelaras atau menyemak fungsi pada alat.

Tindakan suis

- **Rajah1:** 1. Butang kunci 2. Pemicu suis

PERHATIAN:

- Sebelum memasang alat, sentiasa periksa untuk melihat pemicu suis bergerak dengan betul dan kembali ke posisi "OFF" apabila dilepaskan.

Untuk memulakan alat, hanya tarik pemicu suis. Kelajuan alat ditingkatkan dengan menambah tekanan pada pemicu suis. Lepaskan pemicu suis untuk berhenti.

Untuk operasi berterusan, tarik pemicu suis dan kemudian tolak masuk butang kunci.

Untuk menghentikan alat dari kedudukan terkunci, tarik pemicu suis sepenuhnya, kemudian lepaskan.

Dail pelarasan kelajuan disediakan supaya kelajuan alat maksimum dapat dihadkan (boleh ubah). Pusing dial pelarasan kelajuan mengikut arah jam untuk kelajuan yang lebih tinggi, dan lawan jam untuk kelajuan yang lebih rendah.

- **Rajah2:** 1. Dail pelarasan kelajuan 2. Tinggi 3. Rendah

Menyalakan lampu

Untuk model HP2070F, HP2071F

- **Rajah3:** 1. Lampu

PERHATIAN:

- Jangan lihat ke dalam cahaya atau lihat sumber cahaya secara langsung.

Untuk menghidupkan lampu, tarik pemicu. Lepaskan pemicu untuk mematikannya.

NOTA:

- Gunakan kain kering untuk mengelap kotoran daripada kanta lampu. Berhati-hati agar tidak mencalarakan kanta lampu, atau ia mungkin mengurangkan pencahayaan.
- Jangan sesekali gunakan gasolin atau pencair untuk membersihkan kanta lampu, atau ia akan rosak.

Tindakan suis pembalik

► Rajah4: 1. Suis pembalik

Alat ini mempunyai suis pembalik untuk mengubah arah putaran. Ubah tuil suis pembalik ke kedudukan ⇐ (sisi A) untuk putaran arah jam atau pada kedudukan ⇒ (sisi B) untuk putaran arah lawan jam.

⚠PERHATIAN:

- Sentiasa periksa arah putaran sebelum operasi.
- Gunakan suis pembalik hanya selepas alat berhenti sepenuhnya. Menukar arah putaran sebelum alat berhenti boleh merosakkan alat.
- Jika pemacu suis tidak boleh ditekan, periksa untuk melihat sama ada suis pembalik ditetapkan sepenuhnya ke kedudukan ⇐ (sisi A) atau ⇒ (sisi B).

Perubahan kelajuan

► Rajah5: 1. Anak panah 2. Tombol perubahan kelajuan

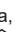

Dua julat kelajuan boleh prapilih dengan tombol perubahan kelajuan. Untuk menukar kelajuan, pusing tombol perubahan kelajuan supaya anak panah di badan alat menunjuk ke arah kedudukan "I" pada tombol untuk kelajuan rendah atau kedudukan "II" untuk kelajuan tinggi. Jika sukar untuk menghidupkan tombol, mula-mula pusing sedikit pada kedua-dua arah dan kemudian putar tombol sekali lagi.

⚠PERHATIAN:

- Menggunakan knob perubahan kelajuan hanya selepas alat itu selesai berhenti. Menukar alat putaran sebelum alat berhenti boleh merosakkan alat.
- Sentiasa tetapkan tombol perubahan kelajuan ke kedudukan yang betul. Jika anda mengendalikan alat dengan tombol perubahan kelajuan berkedudukan separuh jalan di antara "I" dan "II", alat itu mungkin rosak.

Memilih mod tindakan

► Rajah6: 1. Tuil penukar mod tindakan

Alat ini mempunyai tuil penukar mod tindakan. Untuk putaran dengan menukul, luncurkan tuil penukar mod tindakan ke kanan (simbol ). Untuk putaran sahaja, luncurkan tuil penukar mod tindakan ke kiri (simbol ).

⚠PERHATIAN:

- Sentiasa luncurkan tuil penukar mod tindakan sepenuhnya ke kedudukan mod yang anda kehendaki. Jika anda kendalikan alat dengan tuil diletakkan separa di antara simbol mod, alat mungkin rosak.

PEMASANGAN

⚠PERHATIAN:

- Sentiasa pastikan alat dimatikan dan palangnya dicabut sebelum menjalankan apa-apa kerja pada alat.

Memasang genggaman sisi (pemegang tambahan)

► Rajah7: 1. Tapak genggaman 2. Genggaman sisi (pemegang tambahan) 3. Gigi 4. Bonjolan

Sentiasa gunakan genggaman sisi untuk memastikan keselamatan operasi. Pasang genggaman tepi supaya gigi pada cengkaman sesuai di antara bonjolan pada tong alat. Kemudian ketatkan cengkaman dengan pusing pada arah ikut jam yang diinginkan. Ia mungkin berayun 360° supaya dapat dipasang dengan teguh pada mana-mana kedudukan.

Memasang atau menanggalkan bit gerudi

Untuk model HP2070, HP2070F

► Rajah8: 1. Kekunci cuk

Untuk memasang bit, letakkannya di dalam cuk setakat ia boleh dimasukkan. Ketatkan cuk menggunakan tangan. Letakkan kekunci cuk dalam setiap tiga lubang dan ketatkan mengikut arah jam. Pastikan anda mengetatkan ketiga-tiga lubang cuk dengan sama rata. Untuk mengeluarkan bit, putar kekunci cuk pada arah lawan jam hanya pada satu lubang, kemudian longgarkan cuk dengan tangan. Selepas menggunakan kekunci cuk, pastikan untuk mengembalikannya ke kedudukan asal.

Untuk model HP2071, HP2071F

► Rajah9: 1. Lengan 2. Gelang

Pegang gelang dan putarkan lengan arah lawan jam untuk membuka rahang cuk. Letakkan bit di dalam cuk setakat ia boleh dimasukkan. Pegang gelang dan putarkan lengan arah jam untuk mengetatkan cuk. Pegang gelang dan putarkan lengan arah jam untuk mengetatkan cuk.

NOTA:

- Jika cuk gerudi tanpa kunci tidak boleh dilonggarkan kerana bit gerudi tersangkut di dalam rahang cuk, lepaskan cuk gerudi seperti berikut.

► Rajah10: 1. Lengan 2. Nut heksagon 3. Perengkuh 19 4. Penahan gelung

1. Memegang lengan gerudi cuk dengan kukuh dengan playar pam air atau seperti (Nota: Jangan pegang bahagian gelung penahan.)
2. Letakkan perengkuh 19, perengkuh yang boleh laras atau satu perengkuh yang sesuai pada nut heksagon di bahagian depan cuk gerudi. Pusing perengkuh mengikut arah jam seperti yang ditunjukkan dalam gambar untuk melonggarkan gerudi.

Tolak kedalaman

► Rajah11: 1. Tolak kedalaman

Tolak kedalaman dapat memudahkan pengerjudian lubang pada kedalaman yang seragam. Longgarkan genggamannya sisi dan sisipkan tolak kedalaman ke dalam lubang dalam genggamannya sisi. Laraskan tolak kedalaman ke kedalaman yang dikehendaki dan ketatkan genggamannya sisi.

NOTA:


- Tolak kedalaman tidak boleh digunakan pada kedudukan apabila tolak kedalaman melanggar badan alat.

OPERASI

Operasi pengerjudian tukul

⚠ PERHATIAN:

- Terdapat kekuatan putaran yang sangat kuat dan mendadak pada alat/bit semasa lubang dibolosi, apabila lubang tersumbat dengan serpihan dan zarah, atau apabila terkena batang rod penguat yang terbenam dalam konkrit. Sentiasa gunakan genggamannya sisi (pemegang tambahan) dan pegang alat dengan kukuh pada kedua-dua genggamannya sisi dan pemegang suis semasa operasi. Kegagalan berbuat demikian boleh mengakibatkan hilang kawalan pada alat dan kecederaan yang teruk.


Semasa menggerudi dalam konkrit, granit, jubin, dan sebagainya, alihkan tuil penukar mod tindakan ke kedudukan simbol  untuk menggunakan tindakan "putaran dengan menukul". Pastikan menggunakan bit hujung tungsten karbida. Letakkan bit pada lokasi yang dikehendaki untuk lubang, kemudian tarik pemacu suis. Jangan paksa alat. Tekanan ringan memberi hasil yang terbaik. Pastikan alat berada pada kedudukan dan elakkan tergelincir dari lubang. Jangan beri lebih tekanan apabila lubang tersumbat dengan serpihan atau debu. Sebaliknya, gunakan alat tersebut pada keadaan melahu, kemudian keluarkan sebahagian bit dari lubang. Dengan mengulangi ini beberapa kali, lubang itu akan dibersihkan dan pengerjudian biasa dapat diteruskan.

Bebuli hembus keluar (aksesori pilihan)

► Rajah12: 1. Bebuli hembus keluar

Selepas menggerudi lubang, gunakan bebuli hembus keluar untuk membersihkan habuk keluar daripada lubang.

Operasi gerudi

Semasa menggerudi dalam kayu, logam atau bahan plastik, alihkan tuil penukar mod tindakan ke kedudukan simbol  untuk gunakan tindakan "putaran sahaja".

Menggerudi ke kayu

Apabila menggerudi kayu, hasil terbaik boleh didapati dengan gerudi kayu yang dilengkapi dengan skru panduan. Skru panduan menjadikan pengerjudian lebih mudah dengan menarik bit ke dalam bahan kerja.

Menggerudi ke besi

Untuk menghalang bit daripada tergelincir apabila memulakan lubang, buat lekukan dengan pukulan tengah dan ketuk pada titik untuk digerudi. Letakkan hujung bit dalam lekukan dan mula menggerudi. Gunakan pelincir pemotong apabila menggerudi besi. Pengecualian adalah besi dan tembaga yang mesti digerudi kering.

⚠ PERHATIAN:

- Menekan alat secara berlebihan tidak akan mempercepatkan pengerjudian. Malah, tekanan yang berlebihan ini hanya akan merosakkan hujung bit anda, mengurangkan prestasi alat dan memendekkan hayat perkhidmatan alat.
- Terdapat kekuatan besar yang dikenakan pada alat/bit pada masa lubang dibolosi. Pegang alat dengan kukuh dan beri perhatian apabila bit mula menembusi bahan kerja.
- Bit yang tersangkut boleh dialih keluar hanya dengan menetapkan suis pembalik kepada putaran terbalik supaya ia dapat dialih keluar. Walau bagaimanapun, alat mungkin terkeluar secara tiba-tiba jika anda tidak memegangnya dengan kukuh.
- Sentiasa kukuhkan bahan kerja yang kecil dalam ragum atau peranti penekan yang serupa.

PENYELENGGARAAN

⚠️ PERHATIAN:

- Sentiasa pastikan alat dimatikan dan palamnya dicabut sebelum cuba menjalankan pemeriksaan atau penyelenggaraan.
- Jangan gunakan gasolin, benzin, pencair, alkohol atau bahan yang serupa. Ia boleh menyebabkan perubahan warna, bentuk atau keretakan.

Lampu penunjuk

- **Rajah13:** 1. Lampu penunjuk kuasa-ON (hijau)
2. Lampu penunjuk servis (merah)

Lampu penunjuk kuasa-ON hijau menyala apabila alat ON. Jika lampu penunjuk dinyalakan tetapi alat tidak mula, berus karbon mungkin haus, atau litar elektrik atau motor mungkin rosak. Jika lampu penunjuk tidak menyala dan alat tidak mula, suis ON/OFF atau kord utama mungkin rosak.

Lampu penunjuk perkhidmatan merah menyala apabila alat itu dimuatkan secara berlebihan. Operasi yang berterusan di bawah keadaan sedemikian akan mengakibatkan kegagalan atau kerosakan alat. Pada masa ini, menyejukkan alat dengan menjalankan alat tanpa beban.

Membersihkan lubang bolong

- **Rajah14:** 1. Lubang bolong

Alat dan bolong udaranya perlu sentiasa bersih. Bersihkan bolong udara alat dengan kerap atau apabila bolong tersebut mula tersekat.

- **Rajah15:** 1. Lubang bolong

Untuk mengekalkan KESELAMATAN dan KEBOLEHPERCAYAAN produk, pembaikan, pemeriksaan dan penggantian berus karbon, apa-apa penyelenggaraan atau penyesuaian lain perlu dilakukan oleh Pusat Servis Makita yang Diiktiraf, sentiasa gunakan alat ganti Makita.

AKSESORI PILIHAN

⚠️ PERHATIAN:

- Aksesori atau alatan tambahan ini adalah disyorkan untuk digunakan dengan alat Makita anda yang ditentukan dalam manual ini. Penggunaan mana-mana aksesori atau alatan tambahan lain mungkin mengakibatkan risiko kecederaan kepada orang. Hanya gunakan aksesori atau lampiran untuk tujuan yang dinyatakannya.

Jika anda memerlukan sebarang bantuan untuk maklumat lebih lanjut mengenai aksesori ini, tanya Pusat Perkhidmatan Makita tempatan anda.

- Bit tukul hujung tungsten karbida
- Gergaji lubang
- Bebuli hembus keluar
- Gogal keselamatan
- Cuk gerudi tanpa kunci 13
- Kekunci cuk
- Pemasangan genggam
- Tolok kedalaman
- Bekas pembawa plastik

NOTA:

- Beberapa item dalam senarai mungkin disertakan dalam pakej alat sebagai aksesori standard. Item mungkin berbeza mengikut negara.

THÔNG SỐ KỸ THUẬT

Kiểu		HP2070/HP2070F		HP2071/HP2071F	
Tốc độ		Cao	Thấp	Cao	Thấp
Công suất	Bê-tông	20 mm	-----	20 mm	-----
	Thép	8 mm	16 mm	8 mm	16 mm
	Gỗ	25 mm	40 mm	25 mm	40 mm
Tốc độ không tải (min ⁻¹)		0 - 2.900	0 - 1.200	0 - 2.900	0 - 1.200
Số nhát mỗi phút		0 - 58.000	0 - 24.000	0 - 58.000	0 - 24.000
Tổng chiều dài		364 mm		362 mm	
Khối lượng tịnh		2,6 kg		2,6 kg	
Cấp an toàn		II			

- Do chương trình nghiên cứu và phát triển liên tục của chúng tôi nên các thông số kỹ thuật trong đây có thể thay đổi mà không cần thông báo trước.
- Các thông số kỹ thuật có thể thay đổi tùy theo từng quốc gia.
- Khối lượng tùy theo Quy trình EPTA tháng 01/2003

Ký hiệu

Phần dưới đây cho biết các ký hiệu được dùng cho thiết bị. Đảm bảo rằng bạn hiểu rõ ý nghĩa của các ký hiệu này trước khi sử dụng.



Đọc tài liệu hướng dẫn.



CÁCH ĐIỆN CẤP 2



Chỉ dành cho các quốc gia EU
Không thải bỏ thiết bị điện cùng với các chất thải sinh hoạt! Đề tuân thủ Chỉ thị của Châu Âu về thiết bị điện và điện tử thải bỏ, và thi hành những chỉ thị này phù hợp với luật lệ quốc gia, thiết bị điện tử không còn sử dụng được nữa phải được thu nhặt riêng và đưa trở lại một cơ sở tái chế tương thích với môi trường.

Mục đích sử dụng

Dụng cụ này được thiết kế để khoan đóng búa và khoan vào gạch, bê-tông và đá.

Nó cũng có thể phù hợp cho việc khoan không va đập vào gỗ, kim loại, gốm và nhựa.

Nguồn cấp điện

Dụng cụ này chỉ được nối với nguồn cấp điện có điện áp giống như đã chỉ ra trên biển tên và chỉ có thể được vận hành trên nguồn điện AC một pha. Chúng được cách điện hai lớp và do đó cũng có thể được sử dụng từ các ổ cắm điện không có dây tiếp đất.

Cảnh báo An toàn Chung dành cho Dụng cụ Máy

⚠ CẢNH BÁO Đọc tất cả các cảnh báo an toàn và hướng dẫn. Việc không tuân theo các cảnh báo và hướng dẫn có thể dẫn đến điện giật, hỏa hoạn và/hoặc thương tích nghiêm trọng.

Lưu giữ tất cả cảnh báo và hướng dẫn để tham khảo sau này.

Thuật ngữ “dụng cụ máy” ở mục cảnh báo là nói đến dụng cụ máy dùng điện (có dây) hoặc dụng cụ máy dùng pin (không dây).

An toàn tại nơi làm việc

1. **Giữ nơi làm việc sạch sẽ và có đủ ánh sáng.** Nơi làm việc bừa bộn hoặc tối thường dễ gây ra tai nạn.
2. **Không vận hành dụng cụ máy trong môi trường cháy nổ, ví dụ như môi trường có sự hiện diện của các chất lỏng, khí hoặc bụi dễ cháy.** Các dụng cụ máy tạo tia lửa điện có thể làm bụi hoặc khí bốc cháy.
3. **Giữ trẻ em và người ngoài tránh xa nơi làm việc khi đang vận hành dụng cụ máy.** Sự xao lãng có thể khiến bạn mất khả năng kiểm soát.

An toàn về Điện

4. **Phích cắm của dụng cụ máy phải khớp với ổ cắm. Không được sửa đổi phích cắm theo bất kỳ cách nào. Không sử dụng bất kỳ phích cắm chuyển đổi nào với các dụng cụ máy được nối đất (tiếp đất).** Các phích cắm còn nguyên vẹn và ổ cắm phù hợp sẽ giảm nguy cơ điện giật.
5. **Tránh để cơ thể tiếp xúc với các bề mặt nóng đất hoặc tiếp đất như đường ống, bộ tản nhiệt, bếp ga và tủ lạnh.** Nguy cơ bị điện giật sẽ tăng lên nếu cơ thể bạn được nối đất hoặc tiếp đất.
6. **Không để dụng cụ máy tiếp xúc với mưa hoặc trong điều kiện ẩm ướt.** Nước lọt vào dụng cụ máy sẽ làm tăng nguy cơ điện giật.
7. **Không lạm dụng dây điện. Không được phép sử dụng dây để mang, kéo hoặc tháo phích cắm dụng cụ máy. Giữ dây tránh xa nguồn nhiệt, dầu, các mép sắc hoặc các bộ phận chuyển động.** Dây bị hỏng hoặc bị rối sẽ làm tăng nguy cơ điện giật.

8. **Khi vận hành dụng cụ máy ngoài trời, hãy sử dụng dây kéo dài phù hợp cho việc sử dụng ngoài trời.** Việc dùng dây phù hợp cho việc sử dụng ngoài trời sẽ giảm nguy cơ điện giật.
9. **Nếu bắt buộc phải vận hành dụng cụ máy ở nơi ẩm ướt, hãy sử dụng nguồn cấp điện được bảo vệ bằng thiết bị ngắt dòng điện rò (RCD).** Việc sử dụng RCD sẽ giảm nguy cơ điện giật.
10. **Chúng tôi luôn khuyên bạn sử dụng nguồn cấp điện qua thiết bị RCD có thể ngắt dòng điện rò định mức 30mA hoặc thấp hơn.**

An toàn Cá nhân

11. **Luôn tỉnh táo, quan sát những việc bạn đang làm và sử dụng những phán đoán theo kinh nghiệm khi vận hành dụng cụ máy.** Không sử dụng dụng cụ máy khi bạn đang mệt mỏi hoặc chịu ảnh hưởng của ma túy, rượu hay thuốc. Chỉ một khoảnh khắc không tập trung khi đang vận hành dụng cụ máy cũng có thể dẫn đến thương tích cá nhân nghiêm trọng.
12. **Sử dụng thiết bị bảo hộ cá nhân.** Luôn đeo thiết bị bảo vệ mắt. Các thiết bị bảo hộ như mặt nạ chống bụi, giày an toàn chống trượt, mũ bảo hộ hay thiết bị bảo vệ thính giác được sử dụng trong các điều kiện thích hợp sẽ giúp giảm thương tích cá nhân.
13. **Tránh vô tình khởi động dụng cụ máy.** Đảm bảo công tắc ở vị trí off (tắt) trước khi nối nguồn điện và/hoặc bộ pin, cắm hoặc mang dụng cụ máy. Việc mang dụng cụ máy khi đang đặt ngón tay ở vị trí công tắc hoặc cấp điện cho dụng cụ máy đang bật thường dễ gây ra tai nạn.
14. **Tháo mọi khóa hoặc chia vận điều chỉnh trước khi bật dụng cụ máy.** Việc chia vận hoặc khóa vẫn còn gắn vào bộ phận quay của dụng cụ máy có thể dẫn đến thương tích cá nhân.
15. **Không vơi quá cao.** Luôn giữ thăng bằng tốt và có chỗ để chân phù hợp. Điều này cho phép điều khiển dụng cụ máy tốt hơn trong những tình huống bất ngờ.
16. **Ăn mặc phù hợp.** Không mặc quần áo rộng hay đeo đồ trang sức. Giữ tóc, quần áo và găng tay tránh xa các bộ phận chuyển động. Quần áo rộng, đồ trang sức hay tóc dài có thể mắc vào các bộ phận chuyển động.
17. **Nếu các thiết bị được dụng cụ cấp để kết nối các thiết bị thu gom và hút bụi, hãy đảm bảo chúng được kết nối và sử dụng hợp lý.** Việc sử dụng thiết bị thu gom bụi có thể làm giảm những mối nguy hiểm liên quan đến bụi.

Sử dụng và bảo quản dụng cụ máy

18. **Không dùng lực đối với dụng cụ máy.** Sử dụng đúng dụng cụ máy cho công việc của bạn. Sử dụng đúng dụng cụ máy sẽ giúp thực hiện công việc tốt hơn và an toàn hơn theo giá trị định mức được thiết kế của dụng cụ máy đó.
19. **Không sử dụng dụng cụ máy nếu công tắc không bật và tắt được dụng cụ máy đó.** Mọi dụng cụ máy không thể điều khiển được bằng công tắc đều rất nguy hiểm và phải được sửa chữa.
20. **Rút phích cắm ra khỏi nguồn điện và/hoặc ngắt kết nối bộ pin khỏi dụng cụ máy trước khi thực hiện bất kỳ công việc điều chỉnh, thay đổi phụ tùng hay cắt giữ dụng cụ máy nào.** Những biện pháp an toàn phòng ngừa này sẽ giảm nguy cơ vô tình khởi động dụng cụ máy.
21. **Cắt giữ các dụng cụ máy không sử dụng ngoài tầm với của trẻ em và không cho bất kỳ người nào không có hiểu biết về dụng cụ máy hoặc các hướng dẫn này vận hành dụng cụ máy.** Dụng cụ máy sẽ rất nguy hiểm nếu được sử dụng bởi những người dùng chưa qua đào tạo.
22. **Bảo quản dụng cụ máy.** Kiểm tra tình trạng lệch trục hoặc bó kẹt của các bộ phận chuyên động, hiện tượng nứt vỡ của các bộ phận và mọi tình trạng khác mà có thể ảnh hưởng đến hoạt động của dụng cụ máy. Nếu có hỏng hóc, hãy sửa chữa dụng cụ máy trước khi sử dụng. Nhiều tai nạn xảy ra là do không bảo quản tốt dụng cụ máy.
23. **Luôn giữ cho dụng cụ cắt được sắc bén và sạch sẽ.** Những dụng cụ cắt được bảo quản tốt có mép cắt sắc sẽ ít bị kẹt hơn và dễ điều khiển hơn.
24. **Sử dụng dụng cụ máy, phụ tùng và đầu dụng cụ cắt, v.v... theo các hướng dẫn này, có tính đến điều kiện làm việc và công việc được thực hiện.** Việc sử dụng dụng cụ máy cho các công việc khác với công việc dự định có thể gây nguy hiểm.

Bảo dưỡng

25. **Đề nhân viên sửa chữa đủ trình độ bảo dưỡng dụng cụ máy của bạn và chỉ sử dụng các bộ phận thay thế đồng nhất.** Việc này sẽ đảm bảo duy trì được độ an toàn của dụng cụ máy.
26. **Tuân theo hướng dẫn dành cho việc bôi trơn và thay phụ tùng.**
27. **Giữ tay cầm khô, sạch, không dính dầu và mỡ.**

CẢNH BÁO AN TOÀN ĐỐI VỚI MÁY KHOAN BÚA CẦM TAY HOẠT ĐỘNG BẰNG ĐỘNG CƠ ĐIỆN

1. **Đeo thiết bị bảo vệ tai khi thực hiện công tác khoan.** Việc đề tai tiếp xúc với tiếng ồn có thể gây giảm thính lực.
2. **Sử dụng (các) tay cầm phụ nếu được cung cấp kèm theo dụng cụ.** Việc mất khả năng kiểm soát có thể dẫn đến thương tích cá nhân.
3. **Cầm dụng cụ máy bằng bề mặt kẹp cách điện khi thực hiện một thao tác trong đó bộ phận cắt có thể tiếp xúc với dây dẫn kín hoặc dây của chính nó.** Phụ kiện cắt tiếp xúc với dây dẫn "có điện" có thể khiến các bộ phận kim loại bị hở của dụng cụ máy "có điện" và làm cho người vận hành bị điện giật.
4. **Luôn chắc chắn rằng bạn có chỗ tựa chân vững chắc.**
Đảm bảo rằng không có ai ở dưới khi dùng dụng cụ ở những vị trí trên cao.
5. **Cầm chắc dụng cụ bằng cả hai tay.**
6. **Giữ tay tránh xa các bộ phận quay.**
7. **Không để mặc dụng cụ hoạt động.** Chỉ vận hành dụng cụ khi cầm trên tay.

8. Không chạm vào đầu mũi hoặc phối gia công ngay sau khi vận hành; chúng có thể rất nóng và có thể gây bỏng da.
9. Một số vật liệu có thể chứa hóa chất độc hại. Phải cẩn trọng tránh hít phải bụi và để tiếp xúc với da. Tuân theo dữ liệu an toàn của nhà cung cấp vật liệu.

LƯU GIỮ CÁC HƯỚNG DẪN NÀY.

⚠CẢNH BÁO: KHÔNG vì đã thoải mái hay quen thuộc với sản phẩm (có được do sử dụng nhiều lần) mà không tuân thủ nghiêm ngặt các quy định về an toàn dành cho sản phẩm này. **VIỆC DÙNG SAI** hoặc không tuân theo các quy định về an toàn được nêu trong tài liệu hướng dẫn này có thể dẫn đến thương tích cá nhân nghiêm trọng.

MÔ TẢ CHỨC NĂNG

⚠THẬN TRỌNG:

- Luôn bảo đảm rằng dụng cụ được tắt điện và rút phích cắm trước khi điều chỉnh hoặc kiểm tra chức năng của dụng cụ.

Hoạt động công tắc

- **Hình1:** 1. Nút khóa 2. Cần khởi động công tắc

⚠THẬN TRỌNG:

- Trước khi cắm điện vào dụng cụ, luôn luôn kiểm tra xem cần khởi động công tắc có hoạt động bình thường hay không và trả về vị trí "OFF" (TẮT) khi nhả ra.

Để khởi động dụng cụ, chỉ cần kéo cần khởi động công tắc. Tốc độ dụng cụ được tăng lên bằng cách tăng áp lực lên cần khởi động công tắc. Nhả cần khởi động công tắc ra để dừng.

Để tiếp tục vận hành, hãy kéo cần khởi động công tắc và sau đó nhấn vào nút khóa.

Để dừng dụng cụ từ vị trí đã khóa, hãy kéo cần khởi động công tắc hết mức, sau đó nhả ra.

Máy có vòng điều chỉnh tốc độ sao cho tốc độ dụng cụ lớn nhất có thể được giới hạn (biến đổi). Xoay vòng điều chỉnh tốc độ theo chiều kim đồng hồ để có tốc độ cao hơn và ngược chiều kim đồng hồ để có tốc độ thấp hơn.

- **Hình2:** 1. Đĩa điều chỉnh tốc độ 2. Cao hơn 3. Hạ xuống

Bật các đèn

Đối với Kiểu HP2070F, HP2071F

- **Hình3:** 1. Đèn

⚠THẬN TRỌNG:

- Đừng nhìn thẳng trực tiếp vào đèn hoặc nguồn sáng.

Để bật đèn, hãy kéo cần khởi động. Nhả cần khởi động để tắt đèn.

LƯU Ý:

- Dùng vải khô để lau bụi bẩn trên kính đèn. Cần thận không được làm xước kính đèn, nếu không đèn có thể bị giảm độ sáng.
- Tuyệt đối không sử dụng xăng hoặc dung môi để vệ sinh các kính đèn, nếu không nó sẽ bị hỏng.

Hoạt động cần công tắc đảo chiều

- **Hình4:** 1. Công tắc đảo chiều

Dụng cụ này có một công tắc đảo chiều để thay đổi chiều xoay. Di chuyển cần công tắc đảo chiều sang ⇐ vị trí (mặt A) để xoay theo chiều kim đồng hồ hoặc vị trí ⇒ (mặt B) để xoay ngược chiều kim đồng hồ.

⚠THẬN TRỌNG:

- Luôn luôn kiểm tra hướng xoay trước khi vận hành.
- Chỉ sử dụng công tắc đảo chiều sau khi dụng cụ đã dừng hoàn toàn. Việc thay đổi hướng xoay trước khi dụng cụ dừng có thể làm hỏng dụng cụ.
- Nếu không thể nhấn cần khởi động công tắc, hãy kiểm tra xem công tắc đảo chiều có được cài đầy đủ vào đúng vị trí ⇐ (mặt A) hoặc ⇒ (mặt B) chưa.

Thay đổi tốc độ

- **Hình5:** 1. Mũi tên 2. Nút thay đổi tốc độ

Có thể lựa chọn trước hai dải tốc độ bằng nút thay đổi tốc độ.

Để thay đổi tốc độ, hãy xoay nút thay đổi tốc độ sao cho mũi tên trên thân dụng cụ chỉ về vị trí "I" trên nút để có tốc độ thấp hoặc vị trí "II" để có tốc độ cao.



Nếu khó xoay nút, đầu tiên hãy xoay nhẹ ngàm theo một hướng và sau đó xoay nút một lần nữa.

⚠THẬN TRỌNG:

- Chỉ sử dụng nút thay đổi tốc độ sau khi dụng cụ đã dừng hoàn toàn. Thay đổi tốc độ trước khi máy dừng hoàn toàn có thể làm hỏng máy.
- Luôn đặt nút thay đổi tốc độ vào đúng vị trí. Nếu bạn vận hành dụng cụ với nút thay đổi tốc độ đặt ở một nửa giữa vị trí "I" và "II", dụng cụ có thể bị hư hỏng.

Chọn chế độ hoạt động

► **Hình6:** 1. Cần thay đổi chế độ hoạt động

Dụng cụ này có một cần chuyển chế độ hoạt động. Để vào chế độ khoan đóng búa, trượt cần chuyển chế độ hoạt động sang bên phải (biểu tượng ). Để vào chế độ chỉ khoan, trượt cần chuyển chế độ hoạt động sang bên trái (biểu tượng ).

⚠ THẬN TRỌNG:

- Luôn trượt cần chuyển chế độ hoạt động hết mức đến vị trí chế độ bạn mong muốn. Nếu bạn vận hành dụng cụ này với cần được đặt ở giữa các biểu tượng chế độ, dụng cụ có thể bị hư hỏng.

LẮP RÁP

⚠ THẬN TRỌNG:

- Luôn luôn đảm bảo rằng dụng cụ đã được tắt và tháo phích cắm trước khi dùng dụng cụ thực hiện bất cứ công việc nào.

Lắp đặt tay cầm hông (tay cầm phụ)

► **Hình7:** 1. Để tay cầm 2. Tay cầm hông (tay cầm phụ) 3. Ràng 4. Gờ nhô ra

Luôn sử dụng tay cầm hông để đảm bảo vận hành an toàn. Lắp đặt tay cầm hông sao cho răng của tay cầm khớp vào giữa phần nhô ra của tang trống dụng cụ. Sau đó vận chặt tay cầm bằng cách xoay theo chiều kim đồng hồ đến vị trí mong muốn. Tay cầm có thể xoay 360° để được giữ chặt ở bất cứ vị trí nào.

Lắp hoặc tháo gỡ mũi khoan

Đối với Kiểu HP2070, HP2070F

► **Hình8:** 1. Khóa ngàm

Để lắp đặt đầu mũi, hãy lắp nó vào trong ngàm kẹp hết mức có thể. Vận phần ngàm kẹp lại bằng tay. Đặt khóa ngàm vào một trong ba lỗ nhỏ rồi vận chặt theo chiều kim đồng hồ. Cần đảm bảo vận chặt cả ba lỗ ngàm kẹp đều nhau.

Để tháo đầu mũi, xoay khóa ngàm ngược chiều kim đồng hồ ở chỉ một lỗ, sau đó rời lỏng ngàm kẹp bằng tay.

Sau khi sử dụng khóa ngàm, cần đảm bảo trả nó lại vị trí ban đầu.

Đối với Kiểu HP2071, HP2071F

► **Hình9:** 1. Trụ ngoài 2. Vòng

Giữ vòng và xoay trụ ngoài ngược chiều kim đồng hồ để mở các mẫu ngàm kẹp. Đặt đầu mũi vào trong ngàm kẹp hết mức có thể. Giữ chặt vòng và xoay trụ ngoài theo chiều kim đồng hồ để vận chặt ngàm kẹp.

Để tháo đầu mũi, giữ vòng và xoay trụ ngoài ngược chiều kim đồng hồ.

LƯU Ý:

- Nếu ngàm khoan không cần khóa không thể rời lỏng ra được do mũi khoan bị vướng vào trong mẫu ngàm kẹp, hãy rời lỏng ngàm khoan như sau.

► **Hình10:** 1. Trụ ngoài 2. Đai ốc lục giác 3. Cờ lê 19 4. Vòng hãm

1. Giữ chắc trụ ngoài của ngàm khoan bằng kim giữ máy bơm nước hoặc vật tương tự (Lưu ý: Không giữ phần vòng hãm.)
2. Giữ cờ lê 19, cờ lê có thể điều chỉnh hoặc một trong các cờ lê thích hợp khác trên đai ốc lục giác ở phía trước ngàm khoan. Xoay cờ lê theo chiều kim đồng hồ như trong hình minh họa để rời lỏng ngàm khoan.

Thanh đo sâu

► **Hình11:** 1. Thanh đo sâu

Thanh đo sâu rất thuận tiện để khoan các lỗ có chiều sâu đồng nhất. Vận lỏng tay cầm hông và lắp thanh đo sâu vào lỗ trong tay cầm hông. Điều chỉnh thanh đo sâu đến độ sâu mong muốn và vận chặt tay cầm hông.

LƯU Ý:

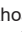
- Thanh đo sâu không thể dùng ở vị trí nơi thanh đo sâu vướng vào thân dụng cụ.

VẬN HÀNH

Thao tác khoan búa

⚠ THẬN TRỌNG:

- Sẽ có lực xoắn rất lớn và bất ngờ trên dụng cụ/ mũi khoan lúc lỗ khoan được xuyên thủng, khi lỗ khoan bắt đầu bị kẹt bởi các hạt vụn và hạt hoặc khi dụng cụ vào các thép gia cường có trong bê-tông. Luôn sử dụng tay cầm hông (tay cầm phụ) và giữ chặt dụng cụ bằng cả hai tay cầm hông và đổi tay cầm trong lúc vận hành. Không làm như vậy có thể mất điều khiển dụng cụ và gây thương tích nghiêm trọng.

Khi khoan trong bê-tông, đá granite, gạch, v.v... đưa cần thay đổi chế độ hoạt động sang vị trí có biểu tượng  để dùng hoạt động "khoan đóng búa". Đảm bảo rằng đã sử dụng đầu mũi bị tungsten-các-bua. Đặt đầu mũi tại vị trí muốn tạo lỗ, sau đó kéo cần khởi động công tắc. Không dùng lực đối với dụng cụ. Ấn nhẹ sẽ mang lại kết quả tốt nhất. Giữ cho dụng cụ ở đúng vị trí và ngăn không bị trượt khỏi lỗ khoan. Không được nhấn mạnh thêm khi lỗ khoan bắt đầu bị kẹt bởi các vụn và các hạt. Thay vào đó, hãy chạy dụng cụ ở chế độ chờ, sau đó tháo riêng mũi khoan khỏi lỗ. Bằng cách lặp lại thao tác này vài lần, lỗ khoan sẽ được sạch sẽ và có thể tiếp tục khoan bình thường.

Bóng thổi khí (phụ kiện tùy chọn)

► Hình12: 1. Bóng thổi khí

Sau khi khoan lỗ, sử dụng bóng thổi khí để vệ sinh bụi bẩn ra khỏi lỗ.

Thao tác khoan

Khi khoan vào gỗ, kim loại hoặc vật liệu nhựa, di chuyển cần thay đổi chế độ hoạt động sang vị trí có biểu tượng để dừng hoạt động “chỉ khoan”.

Khoan vào gỗ

Khi khoan vào gỗ, để có kết quả tốt nhất cần sử dụng các mũi khoan dùng để khoan gỗ và vít dẫn. Vít dẫn giúp khoan dễ dàng hơn bằng cách kéo đầu mũi vào trong phôi gia công.

Khoan vào kim loại

Để phòng ngừa đầu mũi bị trượt ra lúc bắt đầu khoan lỗ, hãy tạo một vết lõm bằng cách dùng mũi đục tâm và đóng vào điểm cần khoan. Đặt đỉnh của đầu mũi vào vết lõm và bắt đầu khoan.

Sử dụng dầu nhờn dùng để cắt khi khoan kim loại. Trừ các trường hợp dùng sắt và đồng thau cần phải được khoan khô.

⚠ THẬN TRỌNG:

- Nhấn dụng cụ quá mức sẽ không tăng tốc độ khoan lên được. Trên thực tế, việc nhấn mạnh thêm này sẽ chỉ làm gây hỏng đầu mũi của bạn, giảm hiệu năng và tuổi thọ hoạt động của dụng cụ.
- Sẽ có lực quán tính rất lớn trên dụng cụ/mũi khoan lúc lỗ khoan được xuyên thủng. Giữ chặt dụng cụ và chuẩn bị ghìm lực quán tính lại khi mũi khoan xuyên thủng vật gia công.
- Mũi khoan bị kẹt có thể được tháo ra đơn giản bằng cách đặt công tắc đảo chiều sang chế độ xoay ngược lại để rút mũi khoan ra. Tuy nhiên, dụng cụ có thể quay ngược ra bất ngờ nếu bạn không giữ chặt.
- Luôn giữ chặt các phôi gia công có kích thước nhỏ bằng kim hoặc dụng cụ kẹp tương tự.

BẢO TRÌ

⚠ THẬN TRỌNG:

- Luôn bảo đảm rằng dụng cụ được tắt điện và rút phích cắm trước khi thử thực hiện việc kiểm tra hoặc bảo trì.
- Không được phép dùng xăng, ét xăng, dung môi, cồn hoặc hóa chất tương tự. Có thể xảy ra hiện tượng mất màu, biến dạng hoặc nứt vỡ.

Đèn chỉ báo

- Hình13: 1. Đèn chỉ báo Nguồn điện-BẬT (xanh lá)
2. Đèn chỉ báo bảo trì (đỏ)

Đèn chỉ báo nguồn điện BẬT màu xanh lá sẽ sáng lên khi dụng cụ được bật sang ON (BẬT). Nếu đèn chỉ báo bật sáng nhưng dụng cụ không khởi động, các chổi các-bon có thể bị mòn hết hoặc mạch điện hay motor có thể bị hỏng. Nếu đèn chỉ báo không sáng lên và dụng cụ không khởi động, công tắc ON/OFF (BẬT/TẮT) hoặc dây điện có thể bị hỏng.

Đèn chỉ báo bảo trì màu đỏ báo sáng khi dụng cụ bị quá tải. Tiếp tục hoạt động trong điều kiện như vậy sẽ dẫn đến hỏng hóc hoặc nứt vỡ dụng cụ. Tại thời điểm này, làm mát công cụ bằng cách chạy dụng cụ ở chế độ không tải.

Vệ sinh các lỗ thông hơi

- Hình14: 1. Lỗ thông hơi

Dụng cụ và các khe thông khí của nó cần phải được giữ sạch sẽ. Thường xuyên vệ sinh các khe thông khí của dụng cụ hoặc bất cứ khi nào các khe này bắt đầu bị kẹt vướng.

- Hình15: 1. Lỗ thông hơi

Để đảm bảo AN TOÀN và TIN CẬY của sản phẩm, việc sửa chữa, việc kiểm tra và thay thế chổi các-bon, hoặc bất cứ thao tác bảo trì, điều chỉnh nào đều phải được thực hiện bởi các Trung tâm Dịch vụ Được Ủy quyền của Makita (Makita Authorized Service Center), luôn sử dụng các phụ tùng thiết bị thay thế của Makita.

PHỤ KIỆN TÙY CHỌN

⚠ THẬN TRỌNG:

- Các phụ kiện hoặc phụ tùng gắn thêm này được khuyến cáo sử dụng với dụng cụ Makita của bạn theo như quy định trong hướng dẫn này. Việc sử dụng bất cứ phụ kiện hoặc phụ tùng gắn thêm nào khác đều có thể gây ra rủi ro thương tích cho người. Chỉ sử dụng phụ kiện hoặc phụ tùng gắn thêm cho mục đích đã quy định sẵn của chúng.

Nếu bạn cần bất kỳ sự hỗ trợ nào để biết thêm chi tiết về các phụ tùng này, hãy hỏi Trung tâm Dịch vụ của Makita tại địa phương của bạn.

- Đầu mũi búa bịt Tungsten-cacbua
- Cưa lỗ
- Bóng thổi khí
- Kính bảo hộ
- Ngâm khoan không cần khóa 13
- Khóa ngâm
- Bộ phận tay cầm
- Thanh đo sâu
- Hộp chứa dụng cụ bằng nhựa

LƯU Ý:

- Một số mục trong danh sách có thể được bao gồm trong gói dụng cụ làm phụ kiện tiêu chuẩn. Các mục này ở mỗi quốc gia có thể khác nhau.

ข้อมูลจำเพาะ

รุ่น		HP2070/HP2070F		HP2071/HP2071F	
ความเร็ว		สูง	ต่ำ	สูง	ต่ำ
ความสามารถในการเจาะกระแทก	คอนกรีต	20 mm	-----	20 mm	-----
	เหล็กกล้า	8 mm	16 mm	8 mm	16 mm
	ไม้	25 mm	40 mm	25 mm	40 mm
ความเร็วหมุนเปล่า (min ⁻¹)		0 - 2,900	0 - 1,200	0 - 2,900	0 - 1,200
อัตราการเจาะกระแทกต่อนาที		0 - 58,000	0 - 24,000	0 - 58,000	0 - 24,000
ความยาวโดยรวม		364 mm		362 mm	
น้ำหนักสุทธิ		2.6 kg		2.6 kg	
มาตรฐานความปลอดภัย		回/II			

- เนื่องจากมีการค้นคว้าวิจัยและพัฒนาอย่างต่อเนื่อง ข้อมูลจำเพาะในเอกสารฉบับนี้อาจเปลี่ยนแปลงได้โดยไม่ต้องแจ้งให้ทราบล่วงหน้า
- ข้อมูลจำเพาะอาจแตกต่างกันไปในแต่ละประเทศ
- นำหนักตามข้อบังคับของ EPTA 01/2003

สัญลักษณ์

สัญลักษณ์ที่ใช้สำหรับอุปกรณ์มีดังต่อไปนี้ โปรดศึกษาความหมายของสัญลักษณ์ให้เข้าใจก่อนการใช้งาน



อ่านคู่มือการใช้งาน



ฉนวนสองชั้น



สำหรับประเทศในสหภาพยุโรปเท่านั้น ห้ามตั้งอุปกรณ์ไฟฟ้ารวมกับขยะครัวเรือนทั่วไป เพื่อให้เป็นไปตามกฎระเบียบของยุโรปเกี่ยวกับขยะจำพวกอุปกรณ์ไฟฟ้าและอิเล็กทรอนิกส์ และการปฏิบัติตามกฎหมายในประเทศ ต้องเก็บอุปกรณ์ไฟฟ้าทั้งหมดอายุการใช้งานแล้วแยกต่างหาก และส่งกลับไปยังศูนย์รีไซเคิลที่เป็นมิตรต่อสิ่งแวดล้อม

จุดประสงค์ในการใช้งาน

เครื่องมือนี้ใช้สำหรับการเจาะกระแทกและการเจาะอิฐคอนกรีต และหิน

นอกจากนี้ยังเหมาะสำหรับการเจาะแบบไม่กระแทกเมื่อใช้กับไม้ โลหะ เซรามิก และพลาสติกด้วย

แหล่งจ่ายไฟ

ควรเชื่อมต่อเครื่องมือกับแหล่งจ่ายไฟที่มีแรงดันไฟฟ้าตามที่ระบุไว้ในป้ายข้อมูลของเครื่องมือ และจะต้องใช้ไฟฟ้ากระแสสลับแบบเฟสเดียวเท่านั้น อุปกรณ์นี้ได้รับการคุ้มครองสองชั้นและสามารถใช้กับปลั๊กไฟที่ไม่มีสายดินได้

คำเตือนด้านความปลอดภัยของเครื่องมือไฟฟ้าทั่วไป

⚠ คำเตือน อ่านคำเตือนด้านความปลอดภัยและคำแนะนำทั้งหมดก่อนใช้งาน การไม่ปฏิบัติตามคำเตือนและคำแนะนำดังกล่าวอาจส่งผลให้ไฟฟ้าวี๊ด ไฟไหม้ และ/หรือได้รับบาดเจ็บร้ายแรง

เก็บรักษาคำเตือนและคำแนะนำทั้งหมดไว้

เป็นข้อมูลอ้างอิงในอนาคต

คำว่า “เครื่องมือไฟฟ้า” ในคำเตือนนี้หมายถึงเครื่องมือไฟฟ้า (มีสาย) ที่ทำงานโดยใช้กระแสไฟฟ้า หรือเครื่องมือไฟฟ้า (ไร้สาย) ที่ทำงานโดยใช้แบตเตอรี่

ความปลอดภัยของพื้นที่ทำงาน

1. ดูแลพื้นที่ทำงานให้มีความสะอาดและมีแสงไฟสว่าง พื้นที่รกกระระเกะหรือมืดทึบอาจนำไปสู่การเกิดอุบัติเหตุได้
2. อย่าใช้งานเครื่องมือไฟฟ้าในสภาพที่อาจเกิดการระเบิด เช่น ในสถานที่ที่มีของเหลว ก๊าซ หรือฝุ่นผงที่มีคุณสมบัติไวไฟ เครื่องมือไฟฟ้าอาจสร้างประกายไฟและจุดชนวนฝุ่นผงหรือก๊าซดังกล่าว
3. ดูแลไม่ให้มีเตี๊ยก หรือบุคคลอื่นอยู่ในบริเวณที่กำลังใช้เครื่องมือไฟฟ้า การมีสิ่งรบกวนสมาธิอาจทำให้คุณสูญเสียการควบคุม

ความปลอดภัยด้านไฟฟ้า

4. ปลั๊กของเครื่องมือไฟฟ้าต้องพอดีกับเต้ารับ อย่าดัดแปลงปลั๊กไม่ว่ากรณีใดๆ อย่าใช้ปลั๊กอะแดปเตอร์กับเครื่องมือไฟฟ้าที่ต่อสายดิน ปลั๊กที่ไม่ถูกดัดแปลงและเต้ารับที่เข้ากันพอดีจะช่วยลดความเสี่ยงของการเกิดไฟฟ้าช็อต
5. ระวังอย่าให้ร่างกายสัมผัสกับพื้นผิวที่ต่อสายดิน เช่น ท่อ เครื่องนำความร้อน เตาหุงต้ม และตู้เย็น มีความเสี่ยงที่จะเกิดไฟฟ้าช็อตสูงขึ้น หากร่างกายของคุณสัมผัสกับพื้น
6. อย่าให้เครื่องมือไฟฟ้าถูกน้ำหรืออยู่ในสภาพเปียกชื้น น้ำที่ไหลเข้าไปในเครื่องมือไฟฟ้าจะเพิ่มความเสี่ยงของการเกิดไฟฟ้าช็อต
7. อย่าใช้สายไฟอย่างไม่เหมาะสม อย่าใช้สายไฟเพื่อยก ดึง หรือถอดปลั๊กเครื่องมือไฟฟ้า เก็บสายไฟให้ห่างจากความร้อน น้ำมัน ของมีคม หรือชิ้นส่วนที่เคลื่อนที่ สายที่ชำรุดหรือพันกันจะเพิ่มความเสี่ยงของการเกิดไฟฟ้าช็อต
8. ขณะที่ใช้งานเครื่องมือไฟฟ้านอกอาคาร ควรใช้สายต่อพ่วงที่เหมาะสมกับงานภายนอกอาคาร การใช้สายที่เหมาะสมกับงานภายนอกอาคารจะลดความเสี่ยงของการเกิดไฟฟ้าช็อต
9. หากต้องใช้งานเครื่องมือไฟฟ้าในสถานที่เปียกชื้น ให้ใช้อุปกรณ์ป้องกันกระแสไฟรั่ว (RCD) การใช้ RCD จะลดความเสี่ยงของการเกิดไฟฟ้าช็อต
10. แนะนำให้ใช้แหล่งจ่ายไฟผ่าน RCD ที่มีกระแสไฟรั่วในอัตราไม่เกิน 30mA เสมอ

ความปลอดภัยส่วนบุคคล

11. ให้ระมัดระวังและมีสติอยู่เสมอขณะใช้งานเครื่องมือไฟฟ้า อย่าใช้งานเครื่องมือไฟฟ้าในขณะที่คุณกำลังเหนื่อย หรือในสภาพที่มึนเมาจากยาเสพติด เครื่องดื่ม แอลกอฮอล์ หรือการเข้ายา ชั่วขณะที่ขาดความระมัดระวังเมื่อกำลังใช้งานเครื่องมือไฟฟ้าอาจทำให้ได้รับบาดเจ็บร้ายแรง

12. ใช้อุปกรณ์ป้องกันส่วนบุคคล สวมแว่นตาป้องกันเสมอ อุปกรณ์ป้องกัน เช่น หน้ากากกันฝุ่น รองเท้านิรภัย กันลื่น หมวกนิรภัย หรืออุปกรณ์ป้องกันเสียงที่ใช้ในสภาพที่เหมาะสมจะช่วยลดการบาดเจ็บ
13. ป้องกันไม่ให้เกิดการเปิดใช้งานโดยไม่ตั้งใจ ตรวจสอบให้แน่ใจว่าสวิตช์ปิดอยู่ก่อนที่จะเชื่อมต่อกับแหล่งจ่ายไฟ และ/หรือชุดแบตเตอรี่ รวมทั้งตรวจสอบก่อนการยกหรือเคลื่อนย้ายเครื่องมือ การสอดนิ้วมือบริเวณสวิตช์เพื่อถือเครื่องมือไฟฟ้า หรือการชาร์จไฟเครื่องมือไฟฟ้าในขณะที่เปิดสวิตช์อยู่อาจนำไปสู่การเกิดอุบัติเหตุ
14. นำกุญแจปรับตั้งหรือประแจออกก่อนที่จะเปิดเครื่องมือไฟฟ้า ประแจหรือกุญแจที่เสียบค้างอยู่ในชิ้นส่วนที่หมุนได้ของเครื่องมือไฟฟ้าอาจทำให้ได้รับบาดเจ็บ
15. อย่าทำงานในระยะที่มืดอึม จัดท่าการยืนและการทรงตัวให้เหมาะสมตลอดเวลา เพราะจะทำให้ควบคุมเครื่องมือไฟฟ้าได้ดีขึ้นในสถานการณ์ที่ไม่คาดคิด
16. แต่งกายให้เหมาะสม อย่าสวมเครื่องแต่งกายที่หลวมเกินไป หรือสวมเครื่องประดับ ดูแลไม่ให้เส้นผม เสื้อผ้า และถุงมืออยู่ใกล้ชิ้นส่วนที่เคลื่อนที่ เสื้อผ้า รุ่มร่าม เครื่องประดับ หรือผมที่มีความยาวอาจเข้าไปติดในชิ้นส่วนที่เคลื่อนที่
17. หากมีการจัดอุปกรณ์สำหรับดูดและจัดเก็บฝุ่นไว้ในสถานที่ ให้ตรวจสอบว่าได้เชื่อมต่อและใช้งานอุปกรณ์นั้นอย่างเหมาะสม การใช้เครื่องดูดและจัดเก็บฝุ่นจะช่วยลดอันตรายที่เกิดจากฝุ่นผงได้

การใช้และดูแลเครื่องมือไฟฟ้า

18. อย่าฝืนใช้เครื่องมือไฟฟ้า ใช้เครื่องมือไฟฟ้าที่เหมาะสมกับการใช้งานของคุณ เครื่องมือไฟฟ้าที่เหมาะสมจะทำให้ได้งานที่มีประสิทธิภาพและปลอดภัยกว่าตามขีดความสามารถของเครื่องที่ได้รับการออกแบบมา
19. อย่าใช้เครื่องมือไฟฟ้า หากสวิตช์ไม่สามารถเปิดปิดได้ เครื่องมือไฟฟ้าที่ควบคุมด้วยสวิตช์ไม่ได้เป็นสิ่งอันตรายและต้องได้รับการซ่อมแซม
20. ถอดปลั๊กจากแหล่งจ่ายไฟ และ/หรือชุดแบตเตอรี่ออกจากเครื่องมือไฟฟ้าก่อนทำการปรับตั้ง เปลี่ยนอุปกรณ์เสริม หรือจัดเก็บเครื่องมือไฟฟ้า วิธีการป้องกันด้านความปลอดภัยดังกล่าวกจะช่วยลดความเสี่ยงของการเปิดใช้งานเครื่องมือไฟฟ้าอย่างไม่ตั้งใจ
21. จัดเก็บเครื่องมือไฟฟ้าที่ไม่ได้ใช้งานให้ห่างจากมือเด็ก และอย่าอนุญาตให้บุคคลที่ไม่คุ้นเคยกับเครื่องมือไฟฟ้าหรือคำแนะนำเหล่านี้ใช้งานเครื่องมือไฟฟ้า เครื่องมือไฟฟ้าจะเป็นอันตรายเมื่ออยู่ในมือของผู้ที่ไม่ได้รับการฝึกอบรม

22. การดูแลรักษาเครื่องมือไฟฟ้า ตรวจสอบการประกอบที่ไม่ถูกต้องหรือการเชื่อมต่อของชิ้นส่วนที่เคลื่อนที่ การแตกหักของชิ้นส่วน หรือสภาพอื่นๆ ที่อาจส่งผลกระทบต่อการทำงานของเครื่องมือไฟฟ้า หากมีความเสียหาย ให้นำเครื่องมือไฟฟ้าไปซ่อมแซมก่อนการใช้งาน อุบัติเหตุจำนวนมากเกิดจากการดูแลรักษาเครื่องมือไฟฟ้าอย่างไม่ถูกต้อง
23. ทำความสะอาดเครื่องมอดัดและลับให้คมอยู่เสมอ เครื่องมอดัดที่มีการดูแลรักษาอย่างถูกต้องและมีขอบตัดคมมักจะมีปัญหาติดขัดน้อยและควบคุมได้ง่ายกว่า
24. ใช้เครื่องมือไฟฟ้า อุปกรณ์เสริม และวัสดุสิ้นเปลือง ฯลฯ ตามคำแนะนำดังกล่าว พิจารณาสภาพการทำงานและงานที่จะลงมือทำ การใช้เครื่องมือไฟฟ้าเพื่อทำงานอื่นนอกเหนือจากที่กำหนดไว้อาจทำให้เกิดอันตราย

การซ่อมบำรุง

25. นำเครื่องมือไฟฟ้าเข้ารับบริการจากช่างซ่อมที่ผ่านการรับรองโดยช่างะไหลแบบเดียวกันเท่านั้น เพราะจะทำให้การใช้เครื่องมือไฟฟ้ามีความปลอดภัย
26. ปฏิบัติตามคำแนะนำในการหล่อลื่นและการเปลี่ยนอุปกรณ์เสริม
27. ดูแลมือจับให้แห้ง สะอาด และไม่มันมันและจาระบีเปื้อน

คำเตือนด้านความปลอดภัยของส่วนไฟฟ้าแบบเจาะกระแทก

1. สวมใส่อุปกรณ์ป้องกันเสียงเมื่อทำการเจาะกระแทกเสียงที่ดังเกินขนาดอาจทำให้สูญเสียการได้ยิน
2. ใช้มือจับเสริม หากมีมากับเครื่องมือ การสูญเสียการควบคุมอาจส่งผลให้ได้รับบาดเจ็บได้
3. จับเครื่องมือที่พื้นผิวมือจับหุ้มฉนวนเมื่อทำงานที่อุปกรณ์ตัดอาจสัมผัสกับสายไฟที่ซ่อนอยู่หรือสายไฟของเครื่องมือเอง อุปกรณ์ตัดที่สัมผัสกับสายไฟที่ "มีกระแสไฟไหลผ่าน" อาจทำให้ชิ้นส่วนโลหะเปลือยของเครื่องมือไฟฟ้า "มีกระแสไฟไหลผ่าน" และอาจทำให้ผู้ปฏิบัติงานถูกไฟช็อตได้
4. ตรวจสอบบริเวณที่ยืนให้มีความมั่นคงเสมอ ตรวจสอบให้แน่ใจว่าไม่มีคนอยู่ด้านล่างเมื่อใช้งานเครื่องมือบนที่สูง
5. จับเครื่องมือให้แน่นด้วยมือทั้งสองข้าง
6. ระวังอย่าให้มีสัมผัสกับชิ้นส่วนที่หมุนได้
7. อย่าปล่อยให้เครื่องมือทำงานค้างไว้ ใช้งานเครื่องมือเฉพาะเมื่อถือด้วยมือเท่านั้น

8. ห้ามสัมผัสกับดอกกลหรือชิ้นงานทันทีที่ทำงานเสร็จ เนื่องจากดอกกลหรือชิ้นงานอาจมีความร้อนสูงและลวกผิวหนังของคุณได้
9. วัสดุบางอย่างอาจมีสารเคมีที่เป็นพิษ ระวังอย่าสูดดมฝุ่นหรือสัมผัสกับผิวหนัง ปฏิบัติตามข้อมูลด้านความปลอดภัยของซัพพลายเออร์วัสดุ

ปฏิบัติตามคำแนะนำเหล่านี้

คำเตือน: อย่าให้ความไม่ระมัดระวังหรือความคุ้นเคยกับผลิตภัณฑ์ (จากการใช้งานซ้ำหลายครั้ง) อยู่เหนือการปฏิบัติตามกฎเกณฑ์ด้านความปลอดภัยในการใช้งานผลิตภัณฑ์อย่างเคร่งครัด การใช้งานที่ผิดจุดประสงค์หรือการไม่ปฏิบัติตามกฎเกณฑ์ด้านความปลอดภัยที่ระบุไว้ในคู่มือการใช้งานนี้อาจทำให้เกิดเจ็บสาหัสได้

คำอธิบายการทำงาน

ข้อควรระวัง:

- ตรวจสอบให้แน่ใจเสมอว่าปิดสวิตช์เครื่องมือและถอดปลั๊กแล้วก่อนทำการปรับตั้งหรือตรวจสอบการทำงานของเครื่องมือ

การทำงานของสวิตช์

► **หมายเลข 1:** 1. ปุ่มล๊อค 2. สวิตช์สั่งงาน

ข้อควรระวัง:

- ก่อนเสียบปลั๊กเครื่องมือ ให้ตรวจสอบเพื่อดูว่าสวิตช์สั่งงานทำงานอย่างถูกต้องและกลับไปตำแหน่ง "OFF" (ปิด) เมื่อปล่อยเสมอ

เมื่อต้องการเปิดใช้เครื่องมือ ให้ดึงสวิตช์สั่งงาน ความเร็วของเครื่องมือจะเพิ่มขึ้นได้ด้วยการเพิ่มแรงกดบนสวิตช์สั่งงาน ปล่อยสวิตช์สั่งงานเพื่อหยุดการทำงาน สำหรับการทำงานต่อเนื่อง ให้กดสวิตช์สั่งงาน แล้วดันปุ่มล๊อคเข้า

การหยุดใช้งานเครื่องมือจากตำแหน่งล๊อค ให้กดสวิตช์สั่งงานจนสุดแล้วปล่อย

ปุ่มปรับความเร็วมีจุดประสงค์เพื่อให้ผู้ใช้สามารถควบคุมความเร็วเครื่องมือได้ (แตกต่างกัน) การหมุนปุ่มปรับความเร็วตามเข็มนาฬิกาจะเป็นการทำให้ความเร็วสูงขึ้น การหมุนสกรูควบคุมความเร็วทวนเข็มนาฬิกาจะทำให้ความเร็วต่ำลง

► **หมายเลข 2:** 1. แป้นปรับความเร็ว 2. สูงขึ้น 3. ต่ำลง

การเปิดดวงไฟ

สำหรับรุ่น HP2070F, HP2071F

▶ หมายเลข 3: 1. ดวงไฟ

⚠ ข้อควรระวัง:

- อย่ามองเข้าไปในดวงไฟหรือจ้องดูแหล่งกำเนิดแสงโดยตรง

เมื่อต้องการเปิดไฟ ให้ดึงสวิตช์สั่งงาน ปลดสวิตช์สั่งงานเพื่อปิดไฟ

หมายเหตุ:

- ใช้ผ้าแห้งเพื่อเช็ดสิ่งสกปรกออกจากเลนส์ของดวงไฟ ระวังอย่าขีดข่วนเลนส์ของดวงไฟ ไม่เช่นนั้นอาจทำให้ส่องสว่างได้น้อยลง
- อย่าใช้แก๊สโซลีนหรือทินเนอร์เช็ดทำความสะอาดเลนส์ของดวงไฟเพราะจะทำให้เลนส์เสียหาย

การใช้งานสวิตช์เปลี่ยนทิศทาง

▶ หมายเลข 4: 1. สวิตช์เปลี่ยนทิศทาง

เครื่องมือนี้มีสวิตช์เปลี่ยนทิศทาง เพื่อใช้เปลี่ยนทิศทางการหมุน เลื่อนก้านสวิตช์เปลี่ยนทิศทางไปที่ตำแหน่ง ◁ (ด้าน A) สำหรับการหมุนตามเข็มนาฬิกา หรือตำแหน่ง ▷ (ด้าน B) สำหรับการหมุนทวนเข็มนาฬิกา

⚠ ข้อควรระวัง:

- ตรวจสอบทิศทางการหมุนก่อนการใช้งานเสมอ
- ใช้สวิตช์เปลี่ยนทิศทางหลังจากเครื่องมือหยุดสนิทแล้วเท่านั้น การเปลี่ยนทิศทางก่อนเครื่องมือหยุดสนิทอาจทำให้เครื่องมือเสียหายได้
- ถ้าไม่สามารถกดสวิตช์สั่งงานได้ ให้ตรวจสอบสวิตช์เปลี่ยนทิศทางให้อยู่ในตำแหน่ง ◁ (ด้าน A) หรือ ▷ (ด้าน B)

การเปลี่ยนความเร็ว

▶ หมายเลข 5: 1. ลูกศร 2. ปุ่มหมุนเปลี่ยนความเร็วสามารถตั้งความเร็วได้สองระดับโดยใช้ปุ่มหมุนเปลี่ยนความเร็ว

หากต้องการเปลี่ยนความเร็ว ให้หมุนปุ่มเปลี่ยนความเร็วให้ลูกศรบนเครื่องชี้ไปที่ตำแหน่ง "I" บนปุ่มเปลี่ยนความเร็วสำหรับการทำงานแบบความเร็วต่ำ หรือตำแหน่ง "II" สำหรับการทำงานแบบความเร็วสูง หากการหมุนปุ่มทำได้ยาก ให้หมุนหัวจับไปทางใดทางหนึ่งเล็กน้อยแล้วหมุนปุ่มอีกครั้ง

⚠ ข้อควรระวัง:

- ใช้ปุ่มหมุนเปลี่ยนความเร็วหลังจากเครื่องมือหยุดสนิทแล้วเท่านั้น การเปลี่ยนความเร็วในขณะที่เครื่องมือยังไม่หยุดสนิทอาจทำให้เครื่องมือเสียหายได้
- ตรวจสอบที่หมุนเปลี่ยนความเร็วให้อยู่ในตำแหน่งที่ถูกต้องเสมอ หากคุณใช้งานเครื่องมือโดยที่หมุนเปลี่ยนความเร็วอยู่กึ่งกลางระหว่างตำแหน่ง "I" และ "II" เครื่องมืออาจเสียหายได้

การเลือกโหมดการทำงาน

▶ หมายเลข 6: 1. ก้านเปลี่ยนโหมดการทำงาน

เครื่องมือนี้มีก้านเปลี่ยนโหมดการทำงาน สำหรับการหมุนพร้อมกระแทก ให้เลื่อนก้านเปลี่ยนโหมดการทำงานไปทางขวา (สัญลักษณ์ T) สำหรับการหมุนอย่างเดียว ให้เลื่อนก้านเปลี่ยนโหมดการทำงานไปทางซ้าย (สัญลักษณ์ S)

⚠ ข้อควรระวัง:

- เลื่อนก้านเปลี่ยนโหมดการทำงานไปจนสุดเสมอตามตำแหน่งโหมดที่คุณต้องการ หากคุณใช้งานเครื่องมือโดยที่ก้านอยู่กึ่งกลางระหว่างสัญลักษณ์โหมด เครื่องมืออาจเสียหายได้

การประกอบ

⚠️ ข้อควรระวัง:

- ตรวจสอบให้แน่ใจเสมอว่าปิดสวิตช์เครื่องมือแล้ว และถอดปลั๊กออกก่อนดำเนินการใดๆ กับเครื่องมือ

การติดตั้งด้ามจับด้านข้าง (มือจับเสริม)

- **หมายเลข 7:** 1. ฐานด้ามจับ 2. ด้ามจับด้านข้าง (มือจับเสริม) 3. ฟันเฟือง 4. ส่วนที่ยื่นออกมา

ใช้ด้ามจับด้านข้างเสมอเพื่อความปลอดภัยในการใช้งาน ติดตั้งด้ามจับด้านข้างโดยให้ฟันเฟืองของด้ามจับอยู่ระหว่างส่วนที่ยื่นออกมาของลำกล้องเครื่องมือ จากนั้นยึดด้ามจับให้แน่นโดยการหมุนตามเข็มนาฬิกาไปตามตำแหน่งที่ต้องการ ซึ่งอาจจะหมุน 360° เพื่อให้ยึดแน่นที่ตำแหน่งใดตำแหน่งหนึ่ง

การติดตั้งหรือถอดดอกสว่าน

สำหรับรุ่น HP2070, HP2070F

- **หมายเลข 8:** 1. ประแจขันหัวจับ

เมื่อต้องการติดตั้งดอกสว่าน ให้ใส่ดอกสว่านลงในหัวจับจนสุด ขันหัวจับให้แน่นด้วยมือ ใช้ประแจขันหัวจับให้แน่นทั้งสามรูตามเข็มนาฬิกา ตรวจสอบให้แน่ใจว่าขันหัวจับทั้งสามรูให้แน่นเท่ากัน

เมื่อต้องการถอดดอกสว่าน ให้หมุนประแจขันหัวจับทวนเข็มนาฬิกาเพียงรูเดียว จากนั้นคลายหัวจับด้วยมือ หลังจากใช้ประแจขันหัวจับให้เก็บประแจกลับเข้าที่ตำแหน่งเดิม

สำหรับรุ่น HP2071, HP2071F

- **หมายเลข 9:** 1. ปลอก 2. ห่วง

จับแหวนและหมุนปลอกทวนเข็มนาฬิกาเพื่อเปิดฟันของหัวจับ ใส่ดอกสว่านลงไปให้หัวจับจนสุด ยึดแหวนไว้ให้แน่น และหมุนปลอกตามเข็มนาฬิกาเพื่อขันแน่นหัวจับ เมื่อต้องการถอดดอกสว่าน ให้ยึดแหวนไว้และหมุนปลอกทวนเข็มนาฬิกา

หมายเหตุ:

- หากไม่สามารถคลายตัวแปลงหัวจับดอกสว่านแบบไม่มีกุญแจได้เนื่องจากดอกสว่านค้างอยู่ในเขี้ยวจับ ให้คลายหัวจับดอกสว่านด้วยวิธีดังนี้

- **หมายเลข 10:** 1. ปลอก 2. น็อตหกเหลี่ยม 3. ประแจ 19 4. แหวนรอง

1. ใช้คีมค่อมหรืออุปกรณ์รูปแบบดังกล่าวจับหัวจับดอกสว่านไว้ให้แน่น (หมายเหตุ: อย่าจับที่ส่วนของแหวนรอง)
2. ใช้ประแจ 19 ประแจแบบปรับได้ หรือประแจชนิดอื่นๆ ที่เหมาะสมกับน็อตหกเหลี่ยมที่ด้านหน้าของหัวจับดอกสว่าน หมุนประแจตามเข็มนาฬิกาตามที่แสดงในภาพเพื่อคลายหัวจับดอกสว่าน

เกจวัดความลึก

- **หมายเลข 11:** 1. เกจวัดความลึก

เกจวัดความลึกให้ความสะดวกสำหรับการเจาะรูที่มีความลึกเท่ากัน คลายด้ามจับด้านข้างออกและใส่เกจวัดความลึกเข้าไปในรูของฐานด้ามจับ ปรับเกจวัดความลึกไปที่ระดับความลึกที่ต้องการ จากนั้นขันด้ามจับด้านข้างให้แน่น

หมายเหตุ:

- เกจวัดความลึกไม่สามารถใช้ที่ตำแหน่งซึ่งเกจวัดความลึกชนกับตัวเครื่องมือได้

การใช้งาน

การใช้งานการเจาะกระแทก

⚠️ ข้อควรระวัง:

- จะมีแรงบิดบนเครื่องมือ/ดอกสว่านอย่างมากทันทีขณะเจาะรูทะลุ เมื่อมีเศษวัสดุอุดตันที่รู หรือเมื่อปะทะกับเหล็กเสริมในคอนกรีต ใช้ด้ามจับด้านข้าง (มือจับเสริม) เสมอ และจับเครื่องมือให้แน่นด้วยด้ามจับด้านข้างและมือจับสวิตช์ในระหว่างการใช้งาน การไม่ปฏิบัติตามขั้นตอนดังกล่าวอาจทำให้ไม่สามารถควบคุมเครื่องมือและได้รับบาดเจ็บสาหัสได้

เมื่อทำการเจาะในคอนกรีต หินแกรนิต กระเบื้อง ฯลฯ ให้เลื่อนก้านเปลี่ยนโหมดการทำงานไปที่ตำแหน่งสัญลักษณ์ **Π** เพื่อใช้โหมด “การหมุนพร้อมกระแทก” ตรวจสอบให้แน่ใจว่าใช้หัวสว่านปลายทังสเตน จัดตำแหน่งหัวสว่านที่ตำแหน่งที่ต้องการสำหรับการเจาะรู จากนั้นกดสวิตช์สั่งงาน อย่าฝืนใช้เครื่องมือ การใช้แรงกดเบาๆ จะให้ผลดีที่สุด จับเครื่องมือให้อยู่ในตำแหน่งและระวังไม่ให้เลื่อนออกจากรู อย่าใช้แรงกดมากขึ้นเมื่อมีเศษวัสดุอุดตันที่รู ให้ใช้งานเครื่องมือที่รอบเดินเบาแทน จากนั้นดึงดอกสว่านบางส่วนออกมาจากรู การทำแบบนี้ซ้ำหลายครั้งจะทำให้รูสะอาดและสามารถทำการเจาะได้ตามปกติ

กระเปาะยางเป่าลม (อุปกรณ์เสริม)

▶ **หมายเลข 12:** 1. กระเปาะยางเป่าลม
หลังการเจาะรู ใช้กระเปาะยางเป่าลมเพื่อเป่าฝุ่นออกจาก

การเจาะ

เมื่อทำการเจาะในไม้ โลหะ หรือพลาสติก ให้เลื่อนก้าน เปลี่ยนโหมดการทำงานไปที่ตำแหน่งสัญลักษณ์ **II** เพื่อใช้การทำงาน “การหมุนทวนเข็มนาฬิกา”

การเจาะไม้

เพื่อให้ได้ผลดีในการเจาะไม้ ควรใช้สว่านเจาะไม้ควบคู่กับ สกรูไม้ สกรูนี้จะทำให้เจาะได้ง่ายขึ้นโดยการดึงดอกสว่าน ลงไปในชิ้นงาน

การเจาะโลหะ

เพื่อป้องกันหัวสว่านจากการเลื่อนหลุดเมื่อเริ่มเจาะรู ให้ทำรอยตัดด้วยเหล็กเจาะนำศูนย์และด้อนที่จุดที่ต้องการจะเจาะ วางปลายดอกสว่านที่รอยตัดและเริ่มเจาะ ใช้สารหล่อลื่นสำหรับการตัดเมื่อเจาะโลหะ ยกเว้นการเจาะเหล็กและทองเหลืองซึ่งควรเจาะแบบแห้ง

⚠️ ข้อควรระวัง:

- การออกแรงกดบนเครื่องมือไม่ช่วยให้การเจาะเร็วขึ้น ในความเป็นจริงแล้ว การออกแรงกดมากเกินไปจะทำให้ปลายดอกสว่านเสียหาย ลดประสิทธิภาพการทำงานของเครื่องมือ และทำให้อายุการใช้งานของเครื่องมือสั้นลงได้
- จะมีแรงกดบนเครื่องมือ/ดอกสว่านอย่างมากขณะเจาะรู จับเครื่องมือให้แน่น และระมัดระวังเมื่อดอกสว่านเริ่มเจาะทะลุชิ้นงาน
- สามารถถอดดอกสว่านที่ติดออกได้โดยการตั้งสวิตช์เปลี่ยนทิศทางไปที่ตำแหน่งการหมุนย้อนกลับเพื่อดึงดอกสว่านถอยหลัง อย่างไรก็ตาม เครื่องมืออาจจะถอยออกทันทีที่คุณไม่ทันตั้งตัว คุณจึงควรจับเครื่องมือไว้ให้แน่น
- ยึดชิ้นงานขนาดเล็กไว้ด้วยปากกาจับชิ้นงานและอุปกรณ์จับยึดที่คล้ายกันนี้

การบำรุงรักษา

⚠️ ข้อควรระวัง:

- ตรวจสอบให้แน่ใจเสมอว่าปิดสวิตช์เครื่องมือและถอดปลั๊กออกแล้วก่อนพยายามดำเนินการตรวจสอบหรือบำรุงรักษา
- ห้ามใช้แก๊สโซลีน เบนซิน ทินเนอร์ แอลกอฮอล์ หรือสิ่งอื่นที่คล้ายกันนี้ เนื่องจากอาจทำให้เกิดไฟไหม้หรือระเบิดได้

ไฟแสดงสถานะ

▶ **หมายเลข 13:** 1. ไฟแสดงสถานะการเปิดเครื่อง (เขียว) 2. ไฟแสดงสถานะการชาร์จ (แดง)

ไฟแสดงสถานะเปิดเครื่องสีเขียวจะสว่างขึ้นเมื่อเปิดเครื่องมือ หากไฟแสดงสถานะเปิดเครื่องกระพริบแต่เครื่องมือไม่เริ่มทำงาน แสดงว่าแปรงคาร์บอนอาจเสื่อมสภาพ หรือวงจรไฟฟ้าหรือมอเตอร์อาจเสีย หากไฟแสดงสถานะเปิดเครื่องไม่ติดและเครื่องมือไม่ทำงาน แสดงว่าสวิตช์เปิด/ปิดเครื่องมือหรือสายไฟอาจเสีย ดวงไฟแจ้งเตือนสีแดงจะติดขึ้นเมื่อเครื่องมือทำงานหนักเกินไป การใช้งานภายใต้เงื่อนไขดังกล่าวจะทำให้เกิดการทำงานผิดพลาดหรือเครื่องมือเสียหาย ในกรณีดังกล่าว ให้ปล่อยให้เครื่องมือเย็นลงโดยการหมุนเปล่า

การทำความสะอาดช่องระบายอากาศ

▶ **หมายเลข 14:** 1. ระบายอากาศ

เครื่องมือและช่องระบายอากาศของเครื่องมือต้องสะอาดอยู่เสมอ ทำความสะอาดช่องระบายอากาศของเครื่องมือให้เป็นประจำหรือเมื่อใดก็ตามที่ช่องระบายอากาศเริ่มถูกปิดกั้น

▶ **หมายเลข 15:** 1. ระบายอากาศ

เพื่อความปลอดภัยและความน่าเชื่อถือของผลิตภัณฑ์ ควรให้ศูนย์บริการที่ผ่านการรับรองจาก Makita เป็นผู้ดำเนินการซ่อมแซม ตรวจสอบ และเปลี่ยนแปรงคาร์บอน บำรุงรักษา หรือทำการปรับตั้งอื่นๆ นอกจากนี้ให้ใช้อะไหล่ของแท้จาก Makita เสมอ

อุปกรณ์เสริม

ข้อควรระวัง:

- ขอแนะนำให้ใช้อุปกรณ์เสริมหรืออุปกรณ์ต่อพ่วงเหล่านี้กับเครื่องมือ Makita ที่ระบุในคู่มือนี้ การใช้ อุปกรณ์เสริมหรืออุปกรณ์ต่อพ่วงอื่นๆ อาจมีความเสี่ยงที่จะได้รับบาดเจ็บ ใช้อุปกรณ์เสริมหรืออุปกรณ์ต่อพ่วงตามวัตถุประสงค์ที่ระบุไว้เท่านั้น

หากต้องการทราบรายละเอียดเพิ่มเติมเกี่ยวกับอุปกรณ์เสริมเหล่านี้ โปรดสอบถามศูนย์บริการ Makita ใกล้บ้านคุณ

- ดอกสว่านเจาะกระแทกปลายทั้งสแตนคาร์ไบด์
- เลื่อยเจาะรู
- กระป๋องเป่าลม
- แวนตานีรภัย
- หัวจับดอกสว่านแบบไม่มีกุญแจเบอร์ 13
- ประแจขันหัวจับ
- ชุดที่จับ
- เกจวัดความลึก
- กล่องพลาสติกสำหรับเคลื่อนย้าย

หมายเหตุ:

- อุปกรณ์บางอย่างในรายการเป็นอุปกรณ์เสริมมาตรฐานที่มีมาให้พร้อมกับชุดเครื่องมือ ซึ่งอาจแตกต่างกันไปในแต่ละประเทศ

Makita Corporation

3-11-8, Sumiyoshi-cho,
Anjo, Aichi 446-8502 Japan

www.makita.com

884501B371
EN, ZHCN, ID, MS,
VI, TH
20191108