



VN	VIETNAM
----	---------

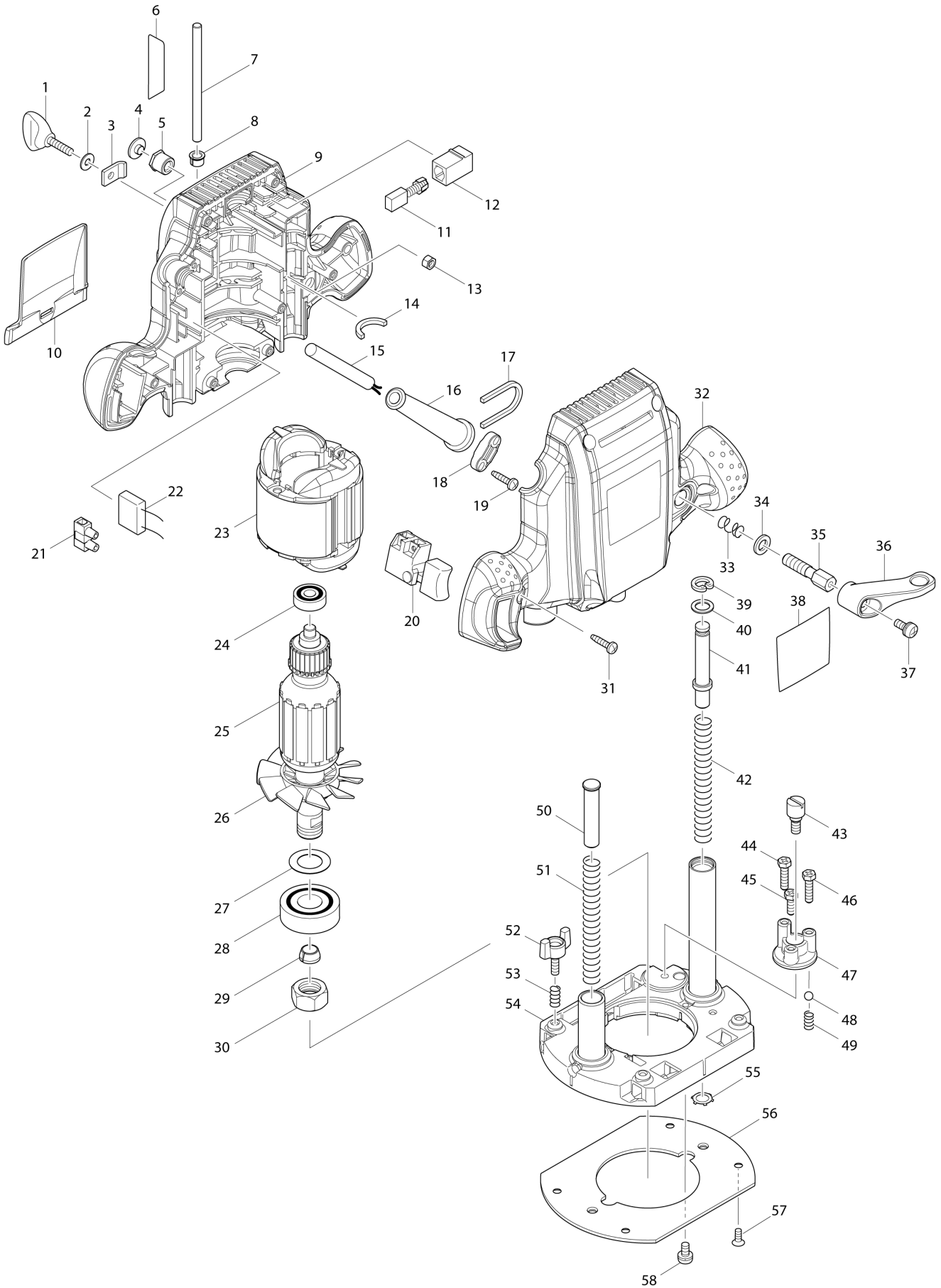
# Diagram / Parts List

**RP0900**

**ROUTER**



(VN) RP0900 / ROUTER



<b>VN</b>	<b>VIETNAM</b>
-----------	----------------

**RP0900 / ROUTER**

Item	Sub	Parts No.	Parts Description	Qty	I/C	E/C No.	Close No.	Remark
001		251878-6	SCREW M5X20	1				
002		941101-4	FLAT WASHER 5	1				
003		346007-5	PRESSURE PLATE	1				
004		424156-9	RUBBER CAP	1			A3877	
005		252094-3	HEX. NUT M8	1				
006		816925-6	SCALE LABEL	1			88599	
006-1		816924-8	SCALE LABEL	1	<	88599		
007		321948-6	STOPPER POLE	1				
008		451035-8	DEPTH POINTER	1				
009		188696-8	HOUSING SET	1				
	C10	263002-9	RUBBER PIN 4	3				
	C20	263005-3	RUBBER PIN 6	1				
	D10		INC. 13,32					
010		450820-6	CHIP DEFLECTOR	1				
011		A-81290	CARBON BRUSH CB-106A	1			85070	
011-1		B-80313	CARBON BRUSH SET CB-106A	1	<	85070		
012		643601-7	BRUSH HOLDER 6-10	2				
013		931202-6	HEX. NUT M5	1				
014		443073-4	FELT	1				
015		691015-4	POWER SUPPLY CORD 0.75-2-2.5	1				
016		682504-0	CORD GUARD 10-85	1				
017		443074-2	FELT	1				
018		687140-7	STRAIN RELIEF	1				
019		266326-2	TAPPING SCREW 4X18	2				
020		651280-7	SWITCH SGE115CDY-5	1				
023		594593-2	FIELD ASS'Y 220V	1				
	C10	654037-5	INSULATED TERM. FT1.25-M3	2			Y06150	
	C11	654037-5	INSULATED TERM. FT1.25-M3	2	O	Y06150		
024		210044-4	BALL BEARING 608DDW	1			C8129	
024-1		210200-6	BALL BEARING 608DDW	1	O	C8129		
025		513778-1	ARMATURE ASS'Y 220V	1				
	D10		INC. 24,26-28					
026		241835-2	FAN 72	1			86868	
026-1		240123-4	FAN 72	1	<	86868		
027		267114-0	FLAT WASHER 17	1				
028		211278-2	BALL BEARING 6203DDW	1				
029		763619-3	COLLET CONE 3/8"	1				
030		763615-1	COLLET NUT	1				
031		266326-2	TAPPING SCREW 4X18	7				
032		188696-8	HOUSING SET	1				
	C10	263002-9	RUBBER PIN 4	3				
	C20	263005-3	RUBBER PIN 6	1				
	D10		INC. 9,13					
033		233110-0	COMPRESSION SPRING 8	1				
034		941202-8	FLAT WASHER 8	1				
035		266460-8	SET BOLT M8	1			A3877	
035-1		266920-0	SET BOLT M8	1	S	A3877		
036		450821-4	LEVER 47	1				
037		911213-7	PAN HEAD SCREW M5X12	1				
038		866313-7	RP0900 NAME PLATE	1				
039		962065-9	RETAINING RING R-15	1				
040		267047-9	FLAT WASHER 10	1				
041		415992-4	PIN 10	1			85025	
041-1		451524-3	PIN 10	1	<	85025		
042		231416-0	COMPRESSION SPRING 10	1				
043		251447-3	- FLAT HEAD SCREW M6	1				
044		265587-1	+HEX. BOLT M5X20	1				
045		265586-3	+HEX. BOLT M5X14	1				
046		265587-1	+HEX. BOLT M5X20	1				
047		135264-8	STOPPER ASS'Y	1				
	D10		INC. 43-46					
048		216022-2	STEEL BALL 7.0	1				
049		231419-4	COMPRESSION SPRING 5	1				
050		256651-9	PIN 10	1				
051		231417-8	COMPRESSION SPRING 10	1				

Interchange  
O : Yes  
X : No  
< : the new part can be substituted for the current.  
> : the current part can be substituted for the new.  
S : Interchangeable as a set.

