



VN	VIETNAM
----	---------

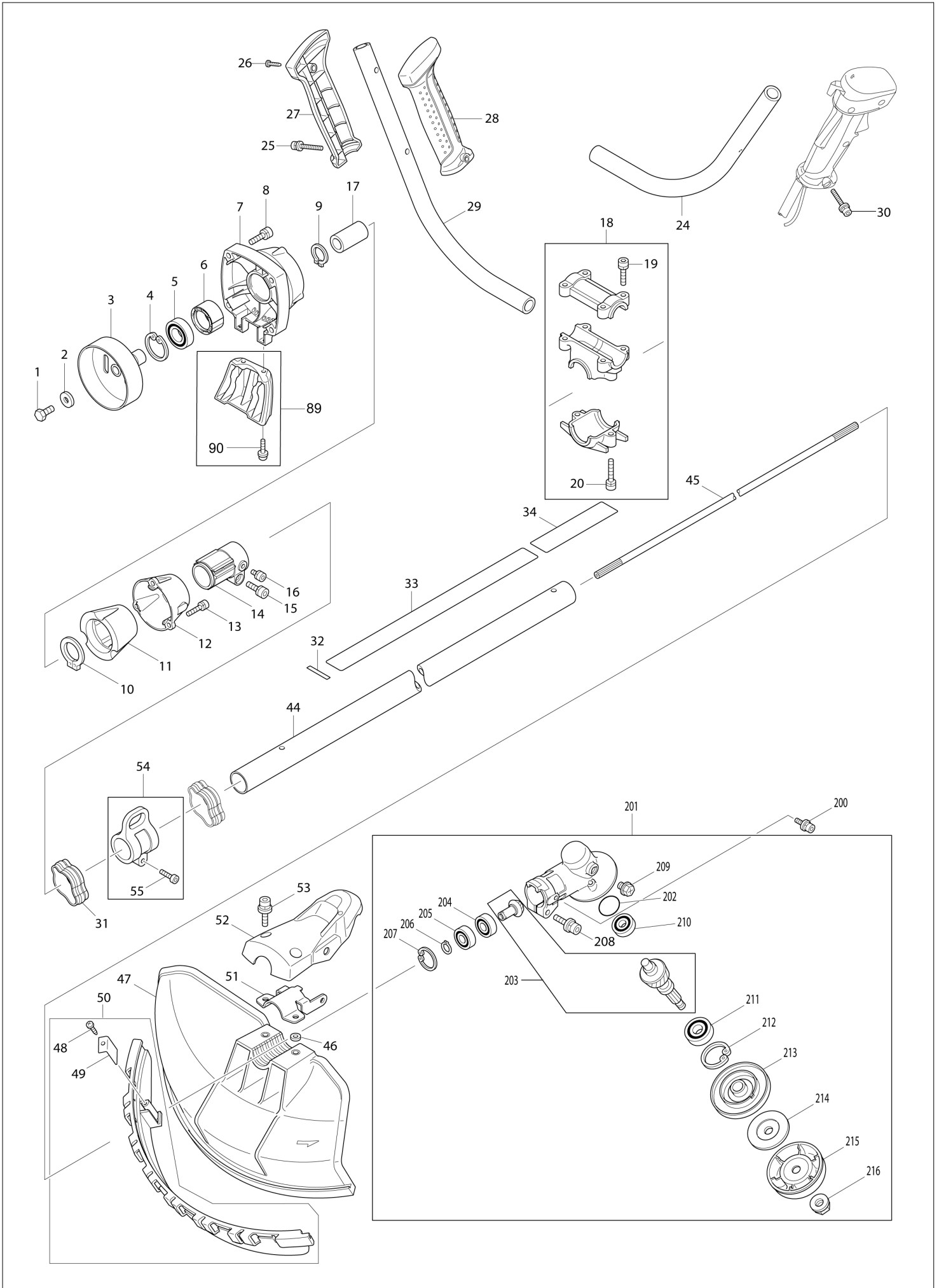
# Diagram / Parts List

**RBC413U**

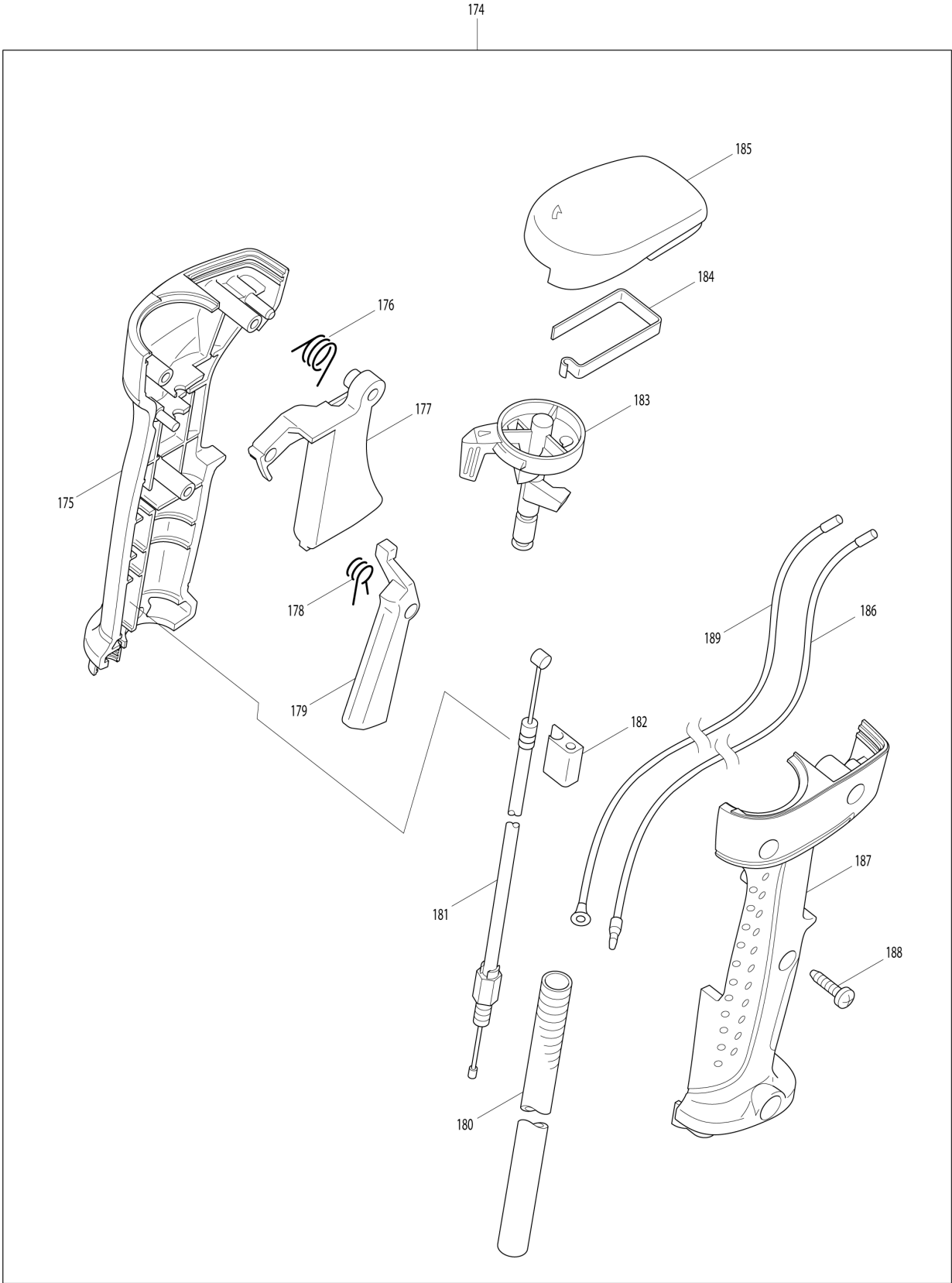
**PETROL BRUSH CUTTER**



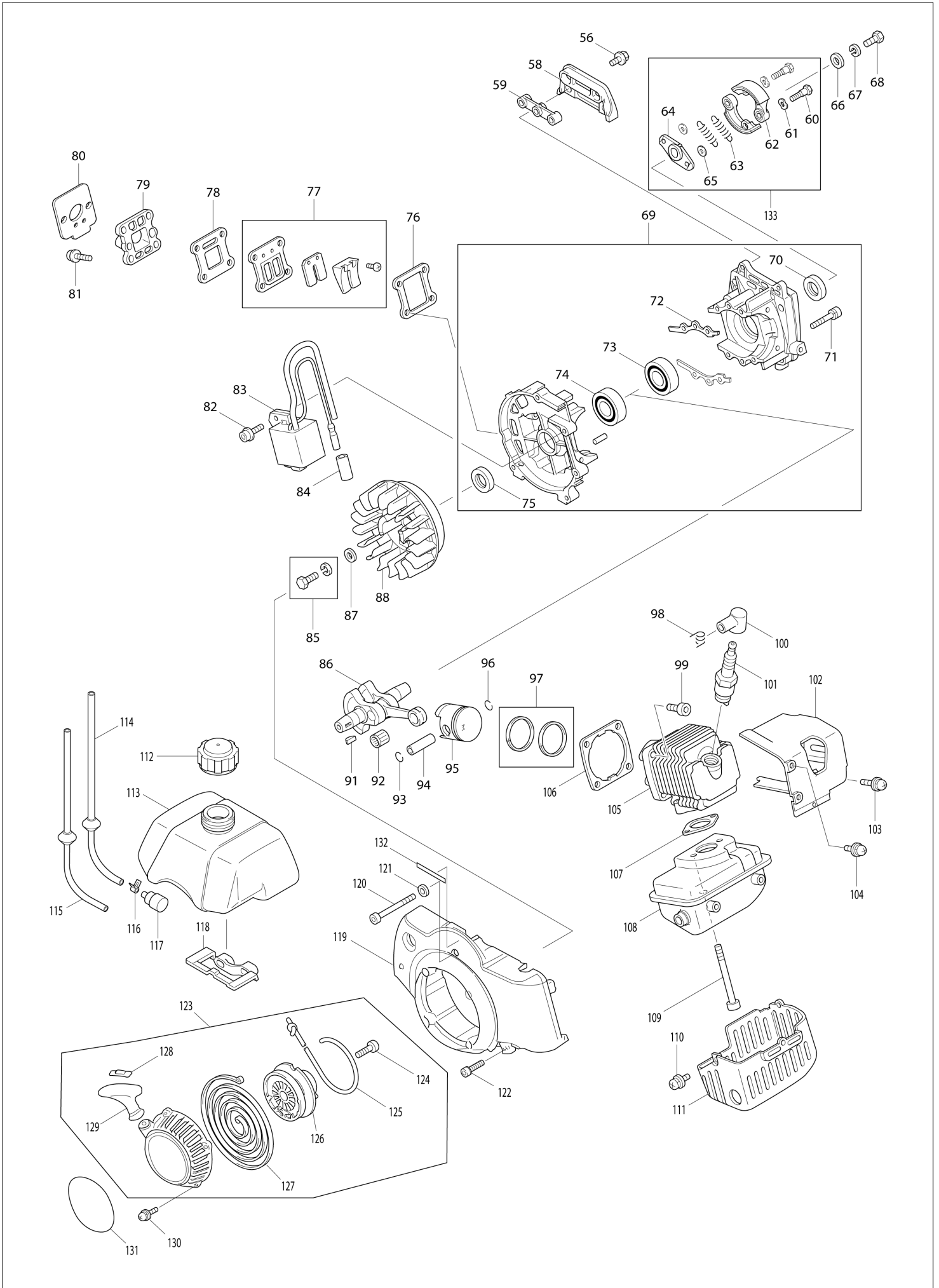
# (VN) RBC413U / PETROL BRUSH CUTTER



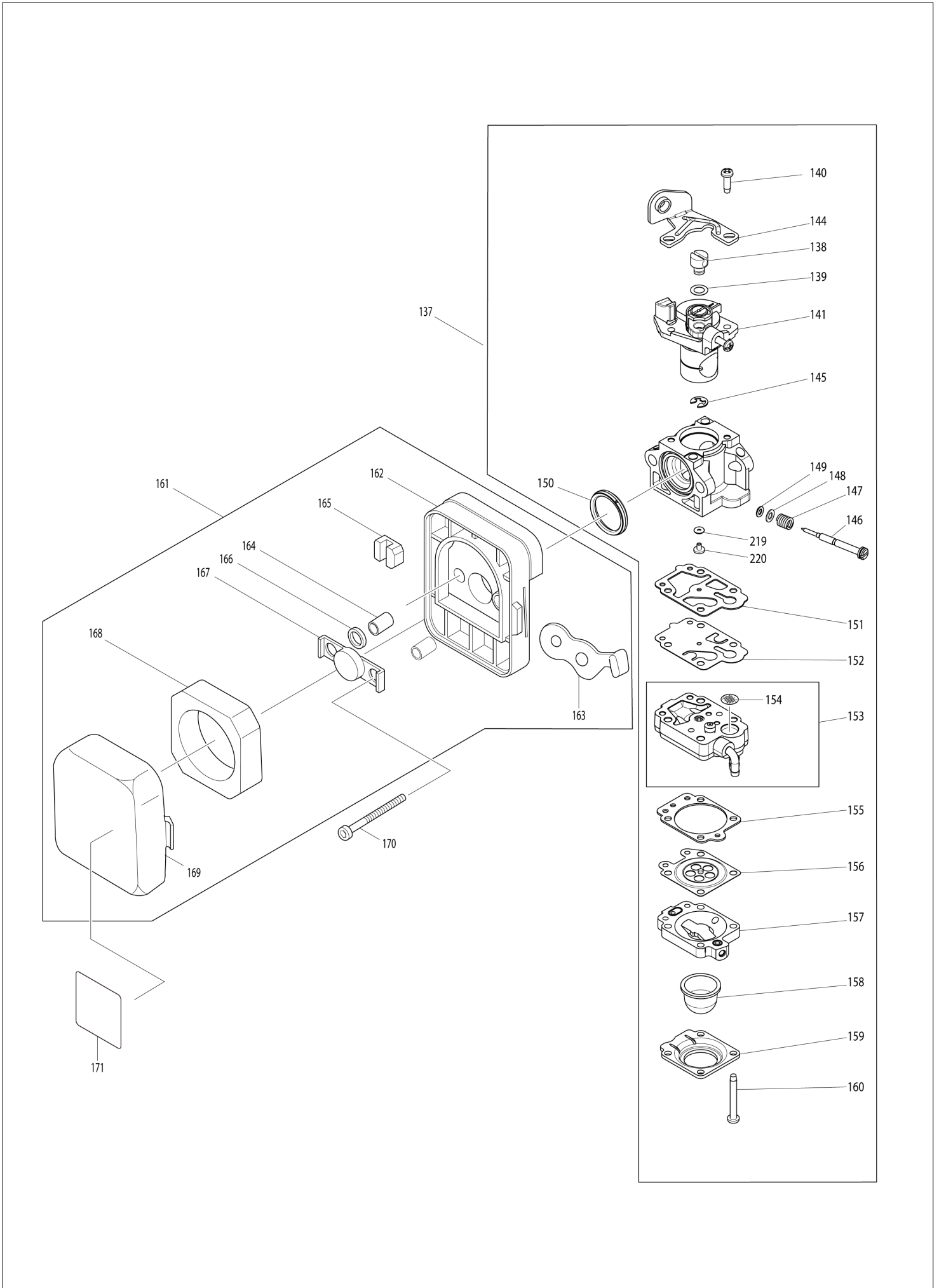
(VN) RBC413U / PETROL BRUSH CUTTER



# (VN) RBC413U / PETROL BRUSH CUTTER



(VN) RBC413U / PETROL BRUSH CUTTER



<b>VN</b>	<b>VIETNAM</b>
-----------	----------------

### RBC413U / PETROL BRUSH CUTTER

Item	Sub	Parts No.	Parts Description	Qty	I/C	E/C No.	Close No.	Remark
001		266598-9	HEX. HEAD BOLT M6X14	1			B5217	
001-1		251527-5	HEX. HEAD BOLT M6X14	1	<	B5217		
002		267429-5	FLAT WASHER 6	1				
003		141689-6	CLUTCH DRUM COMPLETE	1			C3198	
003-1		161877-9	CLUTCH DRUM COMPLETE	1	O	C3198		
004		962153-2	RETAINING RING R-35	1				
005		210126-2	BALL BEARING 6003LLU	1				
006		451157-4	SPACER	1				
007		318421-5	CLUTCH CASE	1				
008		922331-6	HEX. SOCKET HEAD BOLT M6X20	4				
009		961057-5	RETAINING RING S-17	1				
010		961151-3	RETAINING RING S-32	1				
011		424204-4	DAMPER	1				
012		318453-2	PIPE RETAINER	1				
013		922231-0	HEX. SOCKET HEAD BOLT M5X20	3				
014		318454-0	PIPE BRACKET	1				
015		922331-6	HEX. SOCKET HEAD BOLT M6X20	1				
016		922201-9	HEX. SOCKET HEAD BOLT M5X8	1				
017		424403-8	DAMPER	1				
018		135614-7	HANDLE HOLDER ASS'Y	1				
	D10		INC. 19,20					
019		922241-7	HEX. SOCKET HEAD BOLT M5X25	4				
020		922351-0	HEX. SOCKET HEAD BOLT M6X30	2				
024		332040-3	HANDLE 19R	1				
025		922256-4	HEX. SOCKET HEAD BOLT M5X35	1				
026		266326-2	TAPPING SCREW 4X18	1				
027		188659-4	GRIP SET	1				
	D10		INC. 28					
028		188659-4	GRIP SET	1				
	D10		INC. 27					
029		332041-1	HANDLE 19L	1				
030		922256-4	HEX. SOCKET HEAD BOLT M5X35	1				
031		451525-1	WIRE CLAMP	2			A4367	
031-1		451160-5	WIRE CLAMP	2	<	A4367	A7902	
031-2		455588-9	WIRE CLAMP	2	<	A7902		
032		814E64-6	SERIAL NO. LABEL	1				
034		819312-8	MAKITA LOGO LABEL	1				
044		142693-8	SHAFT PIPE COMPLETE	1				
	C10	803W43-7	CAUTION LABEL	1				
	C20	808723-2	CAUTION LABEL	1				
045		142144-1	SHAFT COMPLETE	1				
047		453874-2	PROTECTOR	1				
051		346642-9	PROTECTOR CLAMP	1				
053		922328-5	H.S.H.BOLT M6X18 WITH WR	2				
054		125558-9	HANGER ASSEMBLY	1				
	D10		INC. 55					
055		922232-8	HEX. SOCKET HEAD BOLT M5X20	1				
056		266595-5	HEX. HEAD BOLT M5X14	2				
058		168586-1	FUEL TANK BRACKET ASSEMBLY	1			A8052	
058-1		455434-6	FUEL TANK BRACKET	1	S	A8052		
059		424335-9	BRACKET DAMPER	1			A8052	
059-1		424660-8	BRACKET DAMPER	1	S	A8052		
060		266894-5	SHOULDER HEX. BOLT M8	2			B4342	
060-1		251523-3	SHOULDER HEX. BOLT M8	2	O	B4342		
061		267849-3	WAVE WASHER 10	2			B4342	
061-1		253385-5	WAVE WASHER 10	2	O	B4342		
062		168622-3	CLUTCH SHOE	2			B4342	
062-1		161465-2	CLUTCH SHOE	2	S	B4342		
063		231869-3	SPRING	2			B4342	
063-1		AN23010C00	SPRING	2	S	B4342		
064		313197-9	HOLDER	1			B4342	
064-1		310774-8	HOLDER	1	O	B4342		
065		267428-7	FLAT WASHER 8	2			B4342	
065-1		253384-7	FLAT WASHER 8	2	O	B4342		
066		267429-5	FLAT WASHER 6	1				

Interchange  
O : Yes  
X : No  
< : the new part can be substituted for the current.  
> : the current part can be substituted for the new.  
S : Interchangeable as a set.

<b>VN</b>	<b>VIETNAM</b>
-----------	----------------

### RBC413U / PETROL BRUSH CUTTER

Item	Sub	Parts No.	Parts Description	Qty	I/C	E/C No.	Close No.	Remark
067		942151-2	SPRING WASHER 6	1			C3118	
067-1		253428-3	SPRING WASHER 6	1	O	C3118		
068		266598-9	HEX. HEAD BOLT M6X14	1			B5217	
068-1		251527-5	HEX. HEAD BOLT M6X14	1	<	B5217		
069		135558-1	CRANKCASE ASSEMBLY	1				
	D10		INC. 70-75					
070		213546-9	OIL SEAL 15	1				
071		922251-4	HEX. SOCKET HEAD BOLT M5X30	4			B9377	
071-1		922252-2	HEX. SOCKET HEAD BOLT M5X30	4	O	B9377		
072		442157-5	CRANKCASE GASKET	1				
073		211483-1	BALL BEARING 6202	1				
074		211483-1	BALL BEARING 6202	1				
075		213546-9	OIL SEAL 15	1				
076		442160-6	LEAD VALVE GASKET	1				
077		126211-0	LEAD VALVE ASSEMBLY	1				
078		442189-2	INSULATOR GASKET	1				
079		453971-4	INSULATOR	1				
080		442190-7	CARBURETOR GASKET	1				
081		266793-1	HEX. S.H.B. M5X25 WITH WR	4				
082		922236-0	HEX. SOCKET HEAD BOLT M5X22	2				
083		168587-9	IGNITION COIL	1				
084		422059-1	TUBE	1				
085		266596-3	HEX. HEAD BOLT M6X16 WITH W	1				
086		142159-8	CRANKSHAFT COMPLETE	1				
087		267427-9	FLAT WASHER 7	1				
088		318632-2	FLYWHEEL	1				
089		195144-0	STAND SET	1				
	D10		INC. 90					
090		911218-7	PAN HEAD SCREW M5X14	2				
091		254040-2	WOODRUFF KEY 3	1				
092		212085-6	NEEDLE CAGE1014	1				
093		233983-1	CLIP	1				
094		257797-4	PISTON PIN	1				
095		318631-4	PISTON	1				
096		233983-1	CLIP	1				
097		257309-3	PISTON RING	2				
098		324891-8	PLUG CAP SPRING	1				
099		922327-7	HEX. SOCKET HEAD BOLT M6X18	4			C1328	
099-1		922332-4	HEX. SOCKET HEAD BOLT M6X20	4	O	C1328		
100		424337-5	PLUG CAP	1				
101		168588-7	SPARK PLUG	1				
102		452003-4	CYLINDER COVER	1				
103		911233-1	PAN HEAD SCREW M5X20	1			A6389	
103-1		0140059330	SCREW M5X20(W,SW)	1	<	A6389	A8718	
103-2		265A08-9	PAN HEAD SCREW M5X20	1	O	A8718		
104		911218-7	PAN HEAD SCREW M5X14	1			A6389	
104-1		266677-3	PAN HEAD SCREW M5X14	1	<	A6389		
105		318630-6	CYLINDER	1				
106		442156-7	CYLINDER GASKET	1				
107		168584-5	MUFFLER GASKET	1				
108		168589-5	EXHAUST MUFFLER	1			B4354	
108-1		161573-9	MUFFLER	1	O	B4354		
109		266589-0	HEX. SOCKET HEAD BOLT M6X60	2				
110		911218-7	PAN HEAD SCREW M5X14	3			A6389	
110-1		266677-3	PAN HEAD SCREW M5X14	3	<	A6389		
111		451998-8	MUFFLER COVER	1				
112		452920-8	FUEL TANK CAP	1				
113		454559-3	FUEL TANK	1				
114		168765-1	TUBE COMPLETE	1				
115		168766-9	TUBE COMPLETE	1				
116		345920-4	HOSE CLAMP	3				
117		163447-0	FUEL FILTER	1			B3537	
117-1		163447-0	FUEL FILTER	1	O	B3537		
118		424336-7	FUEL TANK DAMPER	1				
119		452002-6	BLOWER HOUSING	1				

Interchange  
O : Yes  
X : No  
< : the new part can be substituted for the current.  
> : the current part can be substituted for the new.  
S : Interchangeable as a set.

<b>VN</b>	<b>VIETNAM</b>
-----------	----------------

### RBC413U / PETROL BRUSH CUTTER

Item	Sub	Parts No.	Parts Description	Qty	I/C	E/C No.	Close No.	Remark
120		266592-1	HEX. SOCKET HEAD BOLT M5X50	1				
121		941102-2	FLAT WASHER 5	1				
122		922236-0	HEX. SOCKET HEAD BOLT M5X22	2				
123		126364-5	RECOIL STARTER ASSEMBLY	1				
	D10		INC. 124-129					
124		266634-1	SET SCREW M6X20	1			Y07633	
124-1		SG00000013	SET SCREW M6X20	1	O	Y07633		
125		SG00000019	STARTER ROPE	1				
126		452288-2	REEL	1				
127		SG00000018	SPIRAL SPRING	1				
128		424360-0	ROPE STOPPER	1				
129		424361-8	STARTER KNOB	1				
130		911218-7	PAN HEAD SCREW M5X14	4				
131		803S09-3	RBC413U MODEL NO. LABEL	1				
132		819967-9	SERIAL NO. LABEL	1				
133		125829-4	CLUTCH ASSEMBLY	1			B4342	
	D10		INC. 60-65				B4342	
133-1		123885-8	CLUTCH ASSEMBLY	1	O	B4342		
	D10		INC. 60-65			B4342		
137		168856-8	CARBURETOR	1				
	D10		INC. 138-153,155-160					
138		325922-6	SWIVEL	1				
139		413140-9	WASHER	1				
140		266704-6	PAN HEAD SCREW M3X10	2				
141		453970-6	THROTTLE VALVE	1				
144		346491-4	BRACKET CABLE	1				
145		257964-1	STOP RING E-3	1				
146		326211-2	HIGH SPEED NEEDLE	1				
147		WJ00098404	SPRING	1				
148		WJ00136152	WASHER	1				
149		WJ00016105	O RING	1				
150		424444-4	PACKING RING	1				
151		442172-9	PUMP GASKET	1				
152		168575-6	PUMP DIAPHRAGM	1			Y07366	
152-1		WJ00009599	PUMP DIAPHRAGM	1	O	Y07366		
153		140989-1	PUMP BODY ASSEMBLY	1				
	D10		INC. 154					
154		352010-6	INLET SCREEN	1			Y07179	
154-1		WJ00014070	INLET SCREEN	1	O	Y07179		
155		442154-1	METERING DIAPHRAGM GASKET	1				
156		168767-7	METALING DIAPHRAGM	1				
157		140988-3	AIR PURGE BODY ASSEMBLY	1				
158		424314-7	PRIMER PUMP	1				
159		346270-0	PRIMER PUMP COVER	1				
160		266582-4	TAPPING SCREW 3X24	4				
161		126212-8	AIR CLEANER ASSEMBLY	1				
	D10		INC. 162-169					
162		453981-1	AIR CLEANER HOUSING	1				
163		346627-5	CHOKE VALVE	1				
164		332044-5	SLEEVE	2				
165		453983-7	CLEANER COVER CLIP	1				
166		424523-8	WASHER	1				
167		346626-7	PLATE	1				
168		443180-3	AIR FILTER	1				
169		453982-9	AIR CLEANER COVER	1				
170		266794-9	HEX. SOCKET HEAD BOLT M5X50	2				
171		800G01-8	INDICATION LABEL	1				
174		126446-3	CONTROL LEVER ASSEMBLY	1				
	D10		INC. 175-189					
175		188656-0	LEVER CASE SET	1			A5657	
	D10		INC. 187				A5657	
175-1		183A10-9	LEVER CASE SET	1	S	A5657		
	D10		INC. 187			A5657		
176		233540-5	TORSION SPRING 11	1				
177		451084-5	THROTTLE LEVER	1				

Interchange  
O : Yes  
X : No  
< : the new part can be substituted for the current.  
> : the current part can be substituted for the new.  
S : Interchangeable as a set.



