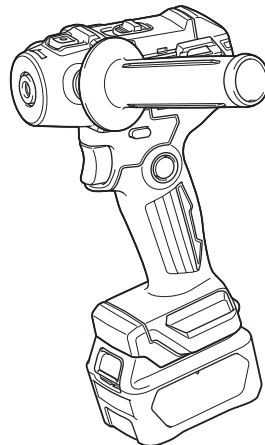




EN	Cordless Sander Polisher	INSTRUCTION MANUAL	4
ZHCN	充电式抛光机	使用说明书	13
ID	Mesin Pemoles Pengampelas Tanpa Kabel	PETUNJUK PENGGUNAAN	22
MS	Penggilap Pelelas Tanpa Kord	MANUAL ARAHAN	32
VI	Máy Đánh Bóng Cầm Tay Hoạt Động Bằng Pin	TÀI LIỆU HƯỚNG DẪN	42
TH	เครื่องขัด/ขัดเงาไร้สาย	คู่มือการใช้งาน	51

PV301D



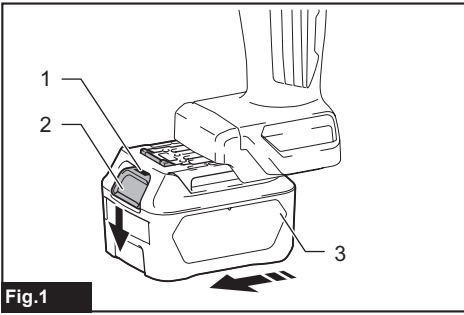


Fig.1

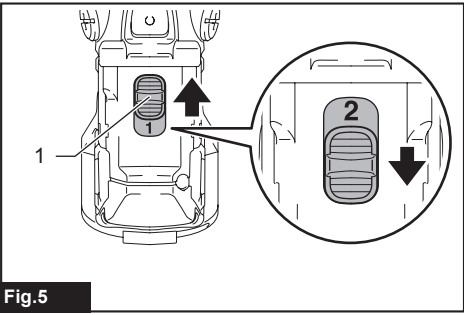


Fig.5

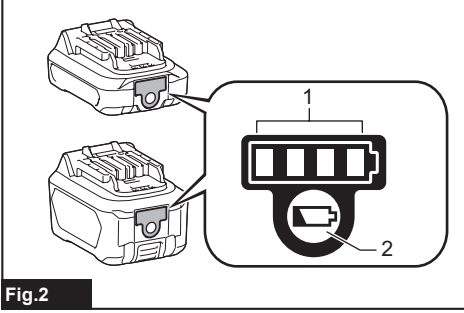


Fig.2

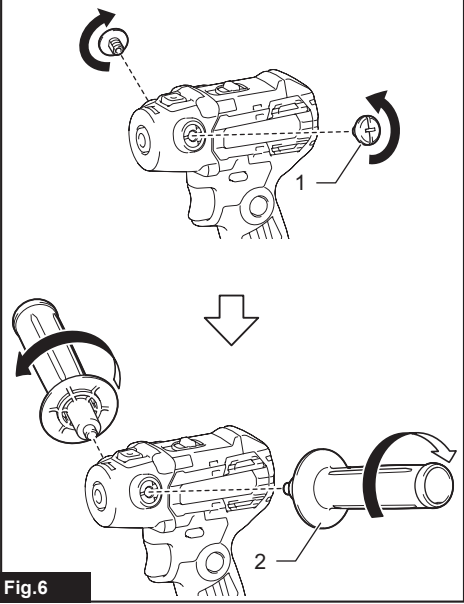


Fig.6

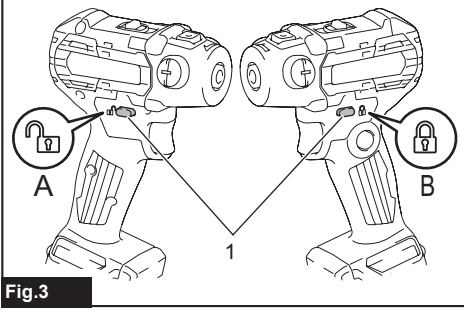


Fig.3

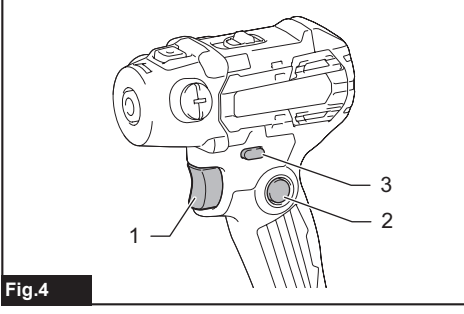


Fig.4

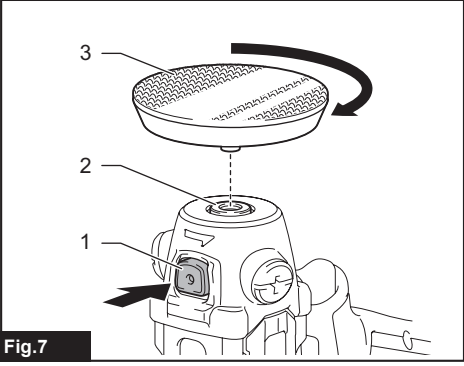


Fig.7

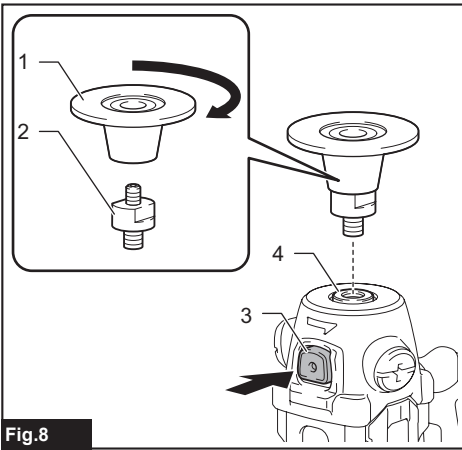


Fig.8

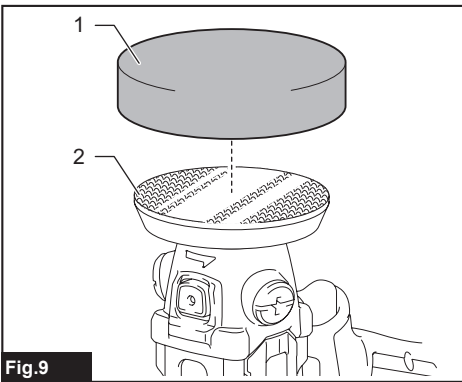


Fig.9

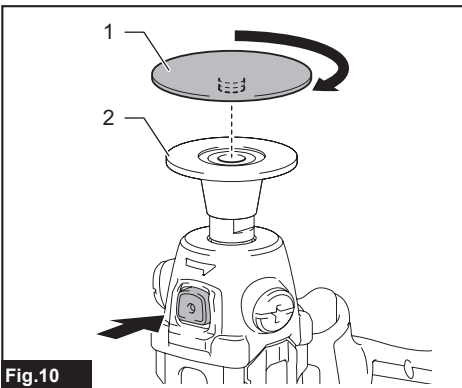


Fig.10

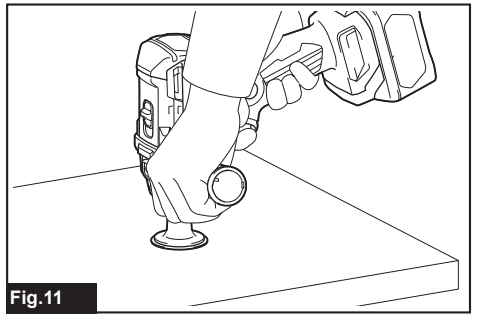


Fig.11

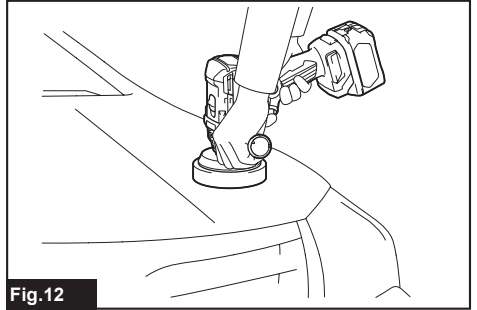


Fig.12

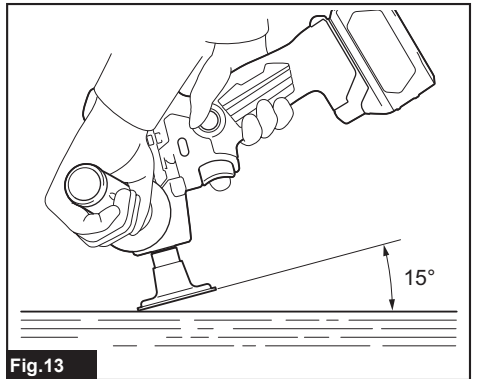


Fig.13

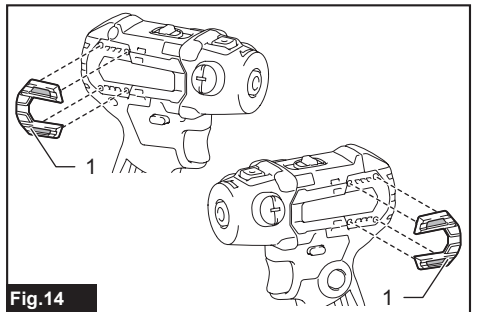



Fig.14

SPECIFICATIONS

Model:		PV301D
Maximum capacities	Wool pad	80 mm
	Sponge pad	80 mm
	Sanding disc	50 mm
Backing pad diameter	For sanding	46 mm
	For polishing	75 mm
Rated speed (n) / No load speed (n ₀)	High (2  Overall length	139 mm *1
	Rated voltage	
Net weight		1.1 - 1.2 kg

*1. With battery cartridge (BL1041B).

- Due to our continuing program of research and development, the specifications herein are subject to change without notice.
- Specifications and battery cartridge may differ from country to country.
- The weight may differ depending on the attachment(s), including the battery cartridge. The lightest and heaviest combinations, according to EPTA-Procedure 01/2014, are shown in the table.

Applicable battery cartridge and charger

Battery cartridge	BL1016 / BL1021B / BL1041B
Charger	DC10SA / DC10SB / DC10WC / DC10WD / DC18RE

- Some of the battery cartridges and chargers listed above may not be available depending on your region of residence.

⚠ WARNING: Only use the battery cartridges and chargers listed above. Use of any other battery cartridges and chargers may cause injury and/or fire.

Symbols

The followings show the symbols which may be used for the equipment. Be sure that you understand their meaning before use.



Read instruction manual.



Wear safety glasses.



Only for EU countries
Do not dispose of electric equipment or battery pack together with household waste material!

In observance of the European Directives, on Waste Electric and Electronic Equipment and Batteries and Accumulators and their implementation in accordance with national laws, electric equipment and batteries and battery pack(s) that have reached the end of their life must be collected separately and returned to an environmentally compatible recycling facility.

Intended use

The tool is intended for polishing, smoothing before painting, finishing surfaces, and removing rust and paint.

SAFETY WARNINGS

General power tool safety warnings

⚠️WARNING: Read all safety warnings, instructions, illustrations and specifications provided with this power tool. Failure to follow all instructions listed below may result in electric shock, fire and/or serious injury.

Save all warnings and instructions for future reference.

The term "power tool" in the warnings refers to your mains-operated (corded) power tool or battery-operated (cordless) power tool.

Work area safety

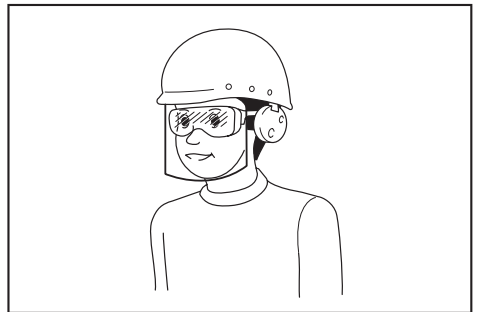
1. **Keep work area clean and well lit.** Cluttered or dark areas invite accidents.
2. **Do not operate power tools in explosive atmospheres, such as in the presence of flammable liquids, gases or dust.** Power tools create sparks which may ignite the dust or fumes.
3. **Keep children and bystanders away while operating a power tool.** Distractions can cause you to lose control.

Electrical safety

1. **Power tool plugs must match the outlet. Never modify the plug in any way. Do not use any adapter plugs with earthed (grounded) power tools.** Unmodified plugs and matching outlets will reduce risk of electric shock.
2. **Avoid body contact with earthed or grounded surfaces, such as pipes, radiators, ranges and refrigerators.** There is an increased risk of electric shock if your body is earthed or grounded.
3. **Do not expose power tools to rain or wet conditions.** Water entering a power tool will increase the risk of electric shock.
4. **Do not abuse the cord. Never use the cord for carrying, pulling or unplugging the power tool. Keep cord away from heat, oil, sharp edges or moving parts.** Damaged or entangled cords increase the risk of electric shock.
5. **When operating a power tool outdoors, use an extension cord suitable for outdoor use.** Use of a cord suitable for outdoor use reduces the risk of electric shock.
6. **If operating a power tool in a damp location is unavoidable, use a residual current device (RCD) protected supply.** Use of an RCD reduces the risk of electric shock.
7. **Power tools can produce electromagnetic fields (EMF) that are not harmful to the user.** However, users of pacemakers and other similar medical devices should contact the maker of their device and/or doctor for advice before operating this power tool.

Personal safety

1. **Stay alert, watch what you are doing and use common sense when operating a power tool. Do not use a power tool while you are tired or under the influence of drugs, alcohol or medication.** A moment of inattention while operating power tools may result in serious personal injury.
2. **Use personal protective equipment. Always wear eye protection.** Protective equipment such as a dust mask, non-skid safety shoes, hard hat or hearing protection used for appropriate conditions will reduce personal injuries.
3. **Prevent unintentional starting. Ensure the switch is in the off-position before connecting to power source and/or battery pack, picking up or carrying the tool.** Carrying power tools with your finger on the switch or energising power tools that have the switch on invites accidents.
4. **Remove any adjusting key or wrench before turning the power tool on.** A wrench or a key left attached to a rotating part of the power tool may result in personal injury.
5. **Do not overreach. Keep proper footing and balance at all times.** This enables better control of the power tool in unexpected situations.
6. **Dress properly. Do not wear loose clothing or jewellery. Keep your hair and clothing away from moving parts.** Loose clothes, jewellery or long hair can be caught in moving parts.
7. **If devices are provided for the connection of dust extraction and collection facilities, ensure these are connected and properly used.** Use of dust collection can reduce dust-related hazards.
8. **Do not let familiarity gained from frequent use of tools allow you to become complacent and ignore tool safety principles.** A careless action can cause severe injury within a fraction of a second.
9. **Always wear protective goggles to protect your eyes from injury when using power tools. The goggles must comply with ANSI Z87.1 in the USA, EN 166 in Europe, or AS/NZS 1336 in Australia/New Zealand. In Australia/New Zealand, it is legally required to wear a face shield to protect your face, too.**



It is an employer's responsibility to enforce the use of appropriate safety protective equipments by the tool operators and by other persons in the immediate working area.

Power tool use and care

1. **Do not force the power tool. Use the correct power tool for your application.** The correct power tool will do the job better and safer at the rate for which it was designed.
2. **Do not use the power tool if the switch does not turn it on and off.** Any power tool that cannot be controlled with the switch is dangerous and must be repaired.
3. **Disconnect the plug from the power source and/or remove the battery pack, if detachable, from the power tool before making any adjustments, changing accessories, or storing power tools.** Such preventive safety measures reduce the risk of starting the power tool accidentally.
4. **Store idle power tools out of the reach of children and do not allow persons unfamiliar with the power tool or these instructions to operate the power tool.** Power tools are dangerous in the hands of untrained users.
5. **Maintain power tools and accessories. Check for misalignment or binding of moving parts, breakage of parts and any other condition that may affect the power tool's operation. If damaged, have the power tool repaired before use.** Many accidents are caused by poorly maintained power tools.
6. **Keep cutting tools sharp and clean.** Properly maintained cutting tools with sharp cutting edges are less likely to bind and are easier to control.
7. **Use the power tool, accessories and tool bits etc. in accordance with these instructions, taking into account the working conditions and the work to be performed.** Use of the power tool for operations different from those intended could result in a hazardous situation.
8. **Keep handles and grasping surfaces dry, clean and free from oil and grease.** Slippery handles and grasping surfaces do not allow for safe handling and control of the tool in unexpected situations.
9. **When using the tool, do not wear cloth work gloves which may be entangled.** The entanglement of cloth work gloves in the moving parts may result in personal injury.

Battery tool use and care

1. **Recharge only with the charger specified by the manufacturer.** A charger that is suitable for one type of battery pack may create a risk of fire when used with another battery pack.
2. **Use power tools only with specifically designated battery packs.** Use of any other battery packs may create a risk of injury and fire.
3. **When battery pack is not in use, keep it away from other metal objects, like paper clips, coins, keys, nails, screws or other small metal objects, that can make a connection from one terminal to another.** Shorting the battery terminals together may cause burns or a fire.
4. **Under abusive conditions, liquid may be ejected from the battery; avoid contact. If contact accidentally occurs, flush with water. If liquid contacts eyes, additionally seek medical help.** Liquid ejected from the battery may cause irritation or burns.

5. **Do not use a battery pack or tool that is damaged or modified.** Damaged or modified batteries may exhibit unpredictable behaviour resulting in fire, explosion or risk of injury.
6. **Do not expose a battery pack or tool to fire or excessive temperature.** Exposure to fire or temperature above 130 °C may cause explosion.
7. **Follow all charging instructions and do not charge the battery pack or tool outside the temperature range specified in the instructions.** Charging improperly or at temperatures outside the specified range may damage the battery and increase the risk of fire.

Service

1. **Have your power tool serviced by a qualified repair person using only identical replacement parts.** This will ensure that the safety of the power tool is maintained.
2. **Never service damaged battery packs.** Service of battery packs should only be performed by the manufacturer or authorized service providers.
3. **Follow instruction for lubricating and changing accessories.**

Cordless sander polisher safety warnings

Safety Warnings Common for Sanding or Polishing Operations:

1. **This power tool is intended to function as a sander or polisher. Read all safety warnings, instructions, illustrations and specifications provided with this power tool.** Failure to follow all instructions listed below may result in electric shock, fire and/or serious injury.
2. **Operations such as grinding, wire brushing or cutting-off are not recommended to be performed with this power tool.** Operations for which the power tool was not designed may create a hazard and cause personal injury.
3. **Do not use accessories which are not specifically designed and recommended by the tool manufacturer.** Just because the accessory can be attached to your power tool, it does not assure safe operation.
4. **The rated speed of the accessory must be at least equal to the maximum speed marked on the power tool.** Accessories running faster than their rated speed can break and fly apart.
5. **The outside diameter and the thickness of your accessory must be within the capacity rating of your power tool.** Incorrectly sized accessories cannot be adequately guarded or controlled.
6. **Threaded mounting of accessories must match the spindle thread of the tool. For accessories mounted by flanges, the arbour hole of the accessory must fit the locating diameter of the flange.** Accessories that do not match the mounting hardware of the power tool will run out of balance, vibrate excessively and may cause loss of control.

7. **Do not use a damaged accessory. Before each use inspect the accessory such as backing pad for cracks, tear or excess wear. If power tool or accessory is dropped, inspect for damage or install an undamaged accessory. After inspecting and installing an accessory, position yourself and bystanders away from the plane of the rotating accessory and run the power tool at maximum no-load speed for one minute.** Damaged accessories will normally break apart during this test time.
8. **Wear personal protective equipment. Depending on application, use face shield, safety goggles or safety glasses. As appropriate, wear dust mask, hearing protectors, gloves and workshop apron capable of stopping small abrasive or workpiece fragments.** The eye protection must be capable of stopping flying debris generated by various operations. The dust mask or respirator must be capable of filtering particles generated by your operation. Prolonged exposure to high intensity noise may cause hearing loss.
9. **Keep bystanders a safe distance away from work area. Anyone entering the work area must wear personal protective equipment.** Fragments of workpiece or of a broken accessory may fly away and cause injury beyond immediate area of operation.
10. **Hold the power tool by insulated gripping surfaces only, when performing an operation where the cutting tool may contact hidden wiring.** Contact with a "live" wire will also make exposed metal parts of the power tool "live" and could give the operator an electric shock.
11. **Never lay the power tool down until the accessory has come to a complete stop.** The spinning accessory may grab the surface and pull the power tool out of your control.
12. **Do not run the power tool while carrying it at your side.** Accidental contact with the spinning accessory could snag your clothing, pulling the accessory into your body.
13. **Regularly clean the power tool's air vents.** The motor's fan will draw the dust inside the housing and excessive accumulation of powdered metal may cause electrical hazards.
14. **Do not operate the power tool near flammable materials.** Sparks could ignite these materials.
15. **Do not use accessories that require liquid coolants.** Using water or other liquid coolants may result in electrocution or shock.

Kickback and Related Warnings

Kickback is a sudden reaction to a pinched or snagged rotating wheel, backing pad, brush or any other accessory. Pinching or snagging causes rapid stalling of the rotating accessory which in turn causes the uncontrolled power tool to be forced in the direction opposite of the accessory's rotation at the point of the binding. For example, if an abrasive wheel is snagged or pinched by the workpiece, the edge of the wheel that is entering into the pinch point can dig into the surface of the material causing the wheel to climb out or kick out. The wheel may either jump toward or away from the operator, depending on direction of the wheel's movement at the point of pinching. Abrasive wheels may also break under these conditions.

Kickback is the result of power tool misuse and/or incorrect operating procedures or conditions and can be avoided by taking proper precautions as given below.

1. **Maintain a firm grip on the power tool and position your body and arm to allow you to resist kickback forces. Always use auxiliary handle, if provided, for maximum control over kickback or torque reaction during start-up.** The operator can control torque reactions or kickback forces, if proper precautions are taken.
2. **Never place your hand near the rotating accessory.** Accessory may kickback over your hand.
3. **Do not position your body in the area where power tool will move if kickback occurs.** Kickback will propel the tool in direction opposite to the wheel's movement at the point of snagging.
4. **Use special care when working corners, sharp edges etc. Avoid bouncing and snagging the accessory.** Corners, sharp edges or bouncing have a tendency to snag the rotating accessory and cause loss of control or kickback.
5. **Do not attach a saw chain woodcarving blade or toothed saw blade.** Such blades create frequent kickback and loss of control.

Safety Warnings Specific for Sanding Operations:

1. **Do not use excessively oversized sanding disc paper. Follow manufacturers recommendations, when selecting sanding paper.** Larger sanding paper extending beyond the sanding pad presents a laceration hazard and may cause snagging, tearing of the disc or kickback.

Safety Warnings Specific for Polishing Operations:

1. **Do not allow any loose portion of the polishing bonnet or its attachment strings to spin freely. Tuck away or trim any loose attachment strings.** Loose and spinning attachment strings can entangle your fingers or snag on the workpiece.

Additional Safety Warnings:

1. **Make sure the wheel is not contacting the workpiece before the switch is turned on.**
2. **Before using the tool on an actual workpiece, let it run for a while. Watch for vibration or wobbling that could indicate poor installation or a poorly balanced wheel.**
3. **Use the specified surface of the wheel to perform the sanding or polishing.**
4. **Do not leave the tool running. Operate the tool only when hand-held.**

5. Do not touch the workpiece immediately after operation; it may be extremely hot and could burn your skin.
6. Do not touch accessories immediately after operation; it may be extremely hot and could burn your skin.
7. Observe the instructions of the manufacturer for correct mounting and use of wheels. Handle and store wheels with care.
8. Check that the workpiece is properly supported.
9. Pay attention that the wheel continues to rotate after the tool is switched off.
10. Do not use the tool on any materials containing asbestos.
11. Do not use cloth work gloves during operation. Fibers from cloth gloves may enter the tool, which causes tool breakage.
8. Do not nail, cut, crush, throw, drop the battery cartridge, or hit against a hard object to the battery cartridge. Such conduct may result in a fire, excessive heat, or explosion.
9. Do not use a damaged battery.
10. The contained lithium-ion batteries are subject to the Dangerous Goods Legislation requirements. For commercial transports e.g. by third parties, forwarding agents, special requirement on packaging and labeling must be observed. For preparation of the item being shipped, consulting an expert for hazardous material is required. Please also observe possibly more detailed national regulations. Tape or mask off open contacts and pack up the battery in such a manner that it cannot move around in the packaging.

SAVE THESE INSTRUCTIONS.

⚠WARNING: DO NOT let comfort or familiarity with product (gained from repeated use) replace strict adherence to safety rules for the subject product. MISUSE or failure to follow the safety rules stated in this instruction manual may cause serious personal injury.

Important safety instructions for battery cartridge

1. Before using battery cartridge, read all instructions and cautionary markings on (1) battery charger, (2) battery, and (3) product using battery.
2. Do not disassemble or tamper with the battery cartridge. It may result in a fire, excessive heat, or explosion.
3. If operating time has become excessively shorter, stop operating immediately. It may result in a risk of overheating, possible burns and even an explosion.
4. If electrolyte gets into your eyes, rinse them out with clear water and seek medical attention right away. It may result in loss of your eyesight.
5. Do not short the battery cartridge:
 - (1) Do not touch the terminals with any conductive material.
 - (2) Avoid storing battery cartridge in a container with other metal objects such as nails, coins, etc.
 - (3) Do not expose battery cartridge to water or rain.
6. Do not store and use the tool and battery cartridge in locations where the temperature may reach or exceed 50 °C (122 °F).
7. Do not incinerate the battery cartridge even if it is severely damaged or is completely worn out. The battery cartridge can explode in a fire.
11. When disposing the battery cartridge, remove it from the tool and dispose of it in a safe place. Follow your local regulations relating to disposal of battery.
12. Use the batteries only with the products specified by Makita. Installing the batteries to non-compliant products may result in a fire, excessive heat, explosion, or leak of electrolyte.
13. If the tool is not used for a long period of time, the battery must be removed from the tool.
14. During and after use, the battery cartridge may take on heat which can cause burns or low temperature burns. Pay attention to the handling of hot battery cartridges.
15. Do not touch the terminal of the tool immediately after use as it may get hot enough to cause burns.
16. Do not allow chips, dust, or soil stuck into the terminals, holes, and grooves of the battery cartridge. It may result in poor performance or breakdown of the tool or battery cartridge.
17. Unless the tool supports the use near high-voltage electrical power lines, do not use the battery cartridge near high-voltage electrical power lines. It may result in a malfunction or breakdown of the tool or battery cartridge.
18. Keep the battery away from children.

SAVE THESE INSTRUCTIONS.

⚠CAUTION: Only use genuine Makita batteries. Use of non-genuine Makita batteries, or batteries that have been altered, may result in the battery bursting causing fires, personal injury and damage. It will also void the Makita warranty for the Makita tool and charger.

Tips for maintaining maximum battery life

1. Charge the battery cartridge before completely discharged. Always stop tool operation and charge the battery cartridge when you notice less tool power.
2. Never recharge a fully charged battery cartridge. Overcharging shortens the battery service life.
3. Charge the battery cartridge with room temperature at 10 °C - 40 °C (50 °F - 104 °F). Let a hot battery cartridge cool down before charging it.
4. When not using the battery cartridge, remove it from the tool or the charger.

FUNCTIONAL DESCRIPTION

CAUTION: Always be sure that the tool is switched off and the battery cartridge is removed before adjusting or checking function on the tool.

Installing or removing battery cartridge

CAUTION: Always switch off the tool before installing or removing of the battery cartridge.

CAUTION: Hold the tool and the battery cartridge firmly when installing or removing battery cartridge. Failure to hold the tool and the battery cartridge firmly may cause them to slip off your hands and result in damage to the tool and battery cartridge and a personal injury.

► Fig.1: 1. Red indicator 2. Button 3. Battery cartridge

To remove the battery cartridge, slide it from the tool while sliding the button on the front of the cartridge.

To install the battery cartridge, align the tongue on the battery cartridge with the groove in the housing and slip it into place. Insert it all the way until it locks in place with a little click. If you can see the red indicator on the upper side of the button, it is not locked completely.

CAUTION: Always install the battery cartridge fully until the red indicator cannot be seen. If not, it may accidentally fall out of the tool, causing injury to you or someone around you.

CAUTION: Do not install the battery cartridge forcibly. If the cartridge does not slide in easily, it is not being inserted correctly.

Indicating the remaining battery capacity

Only for battery cartridges with the indicator

► Fig.2: 1. Indicator lamps 2. Check button

Press the check button on the battery cartridge to indicate the remaining battery capacity. The indicator lamps light up for a few seconds.

Indicator lamps		Remaining capacity
Lighted	Off	
■ ■ ■ ■		75% to 100%
■ ■ ■ □		50% to 75%
■ ■ □ □		25% to 50%
■ □ □ □		0% to 25%

NOTE: Depending on the conditions of use and the ambient temperature, the indication may differ slightly from the actual capacity.

Tool / battery protection system

The tool is equipped with a tool/battery protection system. This system automatically cuts off power to the motor to extend tool and battery life. The tool will automatically stop during operation if the tool or battery is placed under one of the following conditions:

Overload protection

When the tool or battery is operated in a manner that causes it to draw an abnormally high current, the tool automatically stops without any indication. In this situation, turn the tool off and stop the application that caused the tool to become overloaded. Then turn the tool on to restart.

Overheat protection

When the tool or battery is overheated, the tool stops automatically. In this case, let the tool and battery cool before turning the tool on again.

Overdischarge protection


When the battery capacity is not enough, the tool stops automatically. In this case, remove the battery from the tool and charge the battery.



Switch action

CAUTION: Before installing the battery cartridge into the tool, always check to see that the switch trigger actuates properly and returns to the “OFF” position when released.

CAUTION: Switch can be locked in “ON” position for ease of operator comfort during extended use. Apply caution when locking tool in “ON” position and maintain firm grasp on tool.

CAUTION: Do not install the battery cartridge with the lock button engaged.

CAUTION: When not operating the tool, depress the trigger-lock button from  side to lock the switch trigger in the OFF position.

To prevent the switch trigger from accidentally pulled, the trigger-lock button is provided. To start the tool, depress the trigger-lock button from A () side and pull the switch trigger. Tool speed is increased by increasing pressure on the switch trigger. Release the switch trigger to stop. After use, depress the trigger-lock button from B () side.

► **Fig.3:** 1. Trigger-lock button

For continuous operation, depress the lock button while pulling the switch trigger, and then release the switch trigger. To stop the tool, pull the switch trigger fully, then release it.

► **Fig.4:** 1. Switch trigger 2. Lock button 3. Trigger-lock button

Speed change lever



CAUTION: Always set the speed change lever fully to the correct position. If you operate the tool with the speed change lever positioned halfway between the “1” side and “2” side, the tool may be damaged.

CAUTION: Do not use the speed change lever while the tool is running. The tool may be damaged.

CAUTION: If the tool is operated continuously at low speeds for a long time, the motor will get overloaded, resulting in tool malfunction.

To change the speed, switch off the tool first. Push the speed change lever to display “2” for high speed or “1” for low speed. Be sure that the speed change lever is set to the correct position before operation. Use the right speed for your job.

► **Fig.5:** 1. Speed change lever

Displayed number	Symbol	Speed	Applicable operation
2		High	Sanding operation
1		Low	Polishing operation

Accidental restart preventive function

If you install the battery cartridge while pulling the switch trigger or locking the switch trigger, the tool does not start. To start the tool, release the switch trigger, and then pull the switch trigger.

ASSEMBLY

CAUTION: Always be sure that the tool is switched off and the battery cartridge is removed before carrying out any work on the tool.

Installing side grip

CAUTION: Tighten the caps or side grip firmly. Otherwise, the front cover may fall and cause an injury.

Remove the cap and screw the side grip on the tool securely. The side grip can be installed on either side of the tool.
► **Fig.6:** 1. Cap 2. Side grip

Installing backing pad

CAUTION: Make sure that the backing pad is secured properly. Loose attachment will run out of balance and cause an excessive vibration which may cause loss of control.

CAUTION: Never actuate the shaft lock when the spindle is moving. The tool may be damaged.

NOTE: Regularly clean the accessories and spindle to remove dust and debris. Wipe the components clean with a cloth dampened in soapy water if necessary.

Hook-and-loop system

Press in the shaft lock to prevent spindle rotation, and thread the backing pad into the spindle. Hand tighten securely.

► **Fig.7:** 1. Shaft lock 2. Spindle 3. Backing pad

To remove the backing pad, follow the installation procedure in reverse.

Twist-on/twist-off system

Screw the backing pad onto the adapter. Then thread the other end of the adapter into the spindle while pressing in the shaft lock. Hand tighten securely.

► **Fig.8:** 1. Backing pad 2. Adapter 3. Shaft lock 4. Spindle

To remove the backing pad, follow the installation procedure in reverse.

Installing and removing polishing pad

CAUTION: Only use the hook-and-loop system pads for polishing.

CAUTION: Make sure that the pad and backing pad are aligned and securely attached. Otherwise the pad will cause an excessive vibration which may cause loss of control or the pad may be thrown out from the tool.

Remove all dirt and foreign matter from the hook-and-loop system of a pad and backing pad. Attach the pad to the backing pad so that their edges are aligned.

To remove the pad from the backing pad, just pull up from its edge.

► **Fig.9:** 1. Pad 2. Backing pad

Installing abrasive disc

Optional accessory

CAUTION: Only use the twist-on/twist-off system discs for sanding.

Disc selection

CAUTION: The outside diameter of accessory must be within the capacity rating of the power tool.

CAUTION: The rated speed of accessory must be equal or higher than the maximum speed marked on the power tool.

Always use the correct sized wheel that is made from appropriate abrasive materials with the right grit size for your job.

Abrasive disc materials

Abrasive materials	Basic features	Practical applications
Aluminum Oxide	Best for steel, stainless steel and metals. Single crystal abrasive material with high tenacity and durability.	Fast sanding Most metal jobs
Alumina Zirconium	Best for INOX and metals. Extremely sharp and hard abrasive material with high durability.	Removing paint from cars and boats, etc.
Ceramic	Best for INOX, metals and non-ferrous materials. Extremely sharp and high resistant to shock/heat/wear.	General metal work

Grit size

Grit	Practical applications
24/36 (coarse)	Heavy stock removal
60/80	Medium stock removal
120 (fine)	Finishing

Installing and removing abrasive disc

CAUTION: Make sure that the backing pad is secured properly. Loose attachment will run out of balance and cause an excessive vibration which may cause loss of control.

Remove all dirt and foreign matter from the backing pad. Thread an abrasive disc onto the backing pad while pressing in the shaft lock. Hand tighten securely. To remove the disc from the backing pad, follow the installation procedure in reverse.

► **Fig.10:** 1. Abrasive disc 2. Backing pad

OPERATION

CAUTION: Only use Makita genuine pads for polishing.

CAUTION: Only use Makita genuine abrasive disc for sanding (optional accessories).

CAUTION: Make sure the work material is secured and stable. Falling object may cause personal injury.

CAUTION: Hold the tool firmly with one hand on the switch handle and the other hand on the side grip when performing the tool.

CAUTION: Do not run the tool at high load over an extended time period. It may result in tool malfunction which causes electric shock, fire and/or serious injury.

CAUTION: Be careful not to touch the rotating part.

CAUTION: Before operating the tool, make sure that the side grip or caps are not loose. If the side grip or caps are loose, the front cover may fall and cause an injury.

NOTICE: Never force the tool. Excessive pressure may lead to decreased polishing efficiency, damaged pad, or shorten tool life.

NOTICE: Continuous operation at high speed may damage work surface.

General operation

► Fig.11

1. Make sure that the workpiece is properly supported and both hands are free to control the tool.
2. Hold the tool firmly with one hand on the switch handle and the other hand on the side grip.
3. Turn the tool on, letting the wheel reach full speed, and then carefully enter into operation moving the tool forward over the workpiece surface.
4. Having finished, switch the tool off and wait until the wheel has come to a complete stop before putting the tool down.

Polishing operation

► Fig.12

1. Surface treatment

Use a wool pad for rough finishing then use a sponge pad for fine finishing.

2. Applying wax

Use a sponge pad. Apply wax to the sponge pad or work surface. Run the tool at low speed to smooth out wax.

CAUTION: Do not apply excessive wax or polishing agent. It will generate more dust and may cause eye or respiratory diseases.

NOTE: First, perform a test waxing on an inconspicuous portion of the work surface. Make sure that the tool will not scratch the surface or result in uneven waxing.

3. Removing wax

Use a sponge pad. Run the tool to remove wax.

4. Polishing

Apply a sponge pad gently to the work surface.

Sanding operation

CAUTION: Never switch on the tool when it is in contact with the workpiece, it may cause an injury to operator.

CAUTION: Never run the tool without the abrasive disc. You may seriously damage the pad.

CAUTION: Always wear safety goggles or a face shield during operation.

CAUTION: After operation, always switch off the tool and wait until the disc has come to a complete stop before putting the tool down.

► Fig.13

ALWAYS hold the tool firmly with one hand on rear handle and the other on the side handle. Turn the tool on and then apply the abrasive disc to the workpiece. In general, keep the abrasive disc at an angle of about 15 degrees to the workpiece surface. Apply slight pressure only. Excessive pressure will result in poor performance and premature wear to abrasive disc.

MAINTENANCE

CAUTION: Always be sure that the tool is switched off and the battery cartridge is removed before attempting to perform inspection or maintenance.

NOTICE: Never use gasoline, benzine, thinner, alcohol or the like. Discoloration, deformation or cracks may result.

To maintain product SAFETY and RELIABILITY, repairs, any other maintenance or adjustment should be performed by Makita Authorized or Factory Service Centers, always using Makita replacement parts.

Cleaning dust covers

► Fig.14: 1. Dust cover

Regularly clean the dust covers on the inhalation vents for smooth air circulation. Remove the dust covers and clean the mesh.

OPTIONAL ACCESSORIES

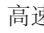

CAUTION: These accessories or attachments are recommended for use with your Makita tool specified in this manual. The use of any other accessories or attachments might present a risk of injury to persons. Only use accessory or attachment for its stated purpose.

If you need any assistance for more details regarding these accessories, ask your local Makita Service Center.

- Wool pad
- Sponge pad (yellow)
- Sponge pad (white)
- Magic pad
- Twist-on/twist-off pad
- Makita genuine battery and charger

NOTE: Some items in the list may be included in the tool package as standard accessories. They may differ from country to country.

规格

型号:	PV301D	
最大工作性能	羊绒抛光刷	80 mm
	海绵垫	80 mm
	砂磨盘	50 mm
支持垫盘直径	用于砂磨	46 mm
	用于抛光	75 mm
额定速度(n) / 空载速度 (n ₀)	高速 (2 ): 砂磨模式	0 - 9,500 r/min
	低速 (1 ): 抛光模式	0 - 2,800 r/min
总长度	139 mm *1	
额定电压	D.C. 10.8 V - 12 V (最大)	
净重	1.1 - 1.2 kg	

*1. 带电池组 (BL1041B)。

- 生产者保留变更规格不另行通知之权利。
- 规格和电池组可能因销往国家之不同而异。
- 重量因附件 (包括电池组) 而异。根据 EPTA-Procedure 01/2014, 最重与最轻的组合见表格。

适用电池组和充电器

电池组	BL1016 / BL1021B / BL1041B
充电器	DC10SA / DC10SB / DC10WC / DC10WD / DC18RE

- 部分以上所列电池组和充电器是否适用视用户所在地区而异。

警告： 请仅使用以上所列电池组和充电器。使用其他类型的电池组或充电器可能会导致人身伤害和 / 或失火。

符号

以下显示本设备可能会使用的符号。在使用工具之前, 请务必理解其含义。



阅读使用说明书。



佩带安全眼镜。



仅限于欧盟国家
请勿将电气设备或电池组与家庭普通废弃物一同丢弃！
请务必遵守欧洲关于废弃电子电气设备、电池和蓄电池以及废弃电池和蓄电池的指令并根据法律法规执行。达到使用寿命的电气设备和电池组必须分类回收至符合环境保护规定的再循环机构。

用途

本工具主要用于抛光、喷漆前砂光、表面精加工、去除锈迹和漆面。

安全警告

电动工具通用安全警告

警告： 阅读随电动工具提供的所有安全警告、说明、图示和规定。不遵照以下所列说明会导致电击、着火和 / 或严重伤害。

保存所有警告和说明书以备查阅。

警告中的术语“电动工具”是指市电驱动（有线）电动工具或电池驱动（无线）电动工具。

工作场地的安全

1. 保持工作场地清洁和明亮。杂乱和黑暗的场地会引发事故。
2. 不要在易爆环境，如有易燃液体、气体或粉尘的环境下操作电动工具。电动工具产生的火花会点燃粉尘或气体。
3. 操作电动工具时，远离儿童和旁观者。注意力不集中会使你失去对工具的控制。

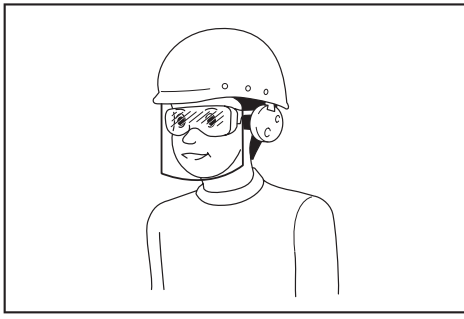
电气安全

1. 电动工具插头必须与插座相配。绝不能以任何方式改装插头。需接地的电动工具不能使用任何转换插头。未经改装的插头和相配的插座将降低电击风险。
2. 避免人体接触接地表面，如管道、散热片和冰箱。如果你身体接触接地表面会增加电击风险。
3. 不得将电动工具暴露在雨中或潮湿环境中。水进入电动工具将增加电击风险。
4. 不得滥用软线。绝不能用软线搬运、拉动电动工具或拔出其插头。使软线远离热源、油、锐边或运动部件。受损或缠绕的软线会增加电击风险。
5. 当在户外使用电动工具时，使用适合户外使用的延长线。适合户外使用的电线将降低电击风险。
6. 如果无法避免在潮湿环境中操作电动工具，应使用带有剩余电流装置（RCD）保护的电源。RCD 的使用可降低电击风险。

7. 电动工具会产生对用户无害的电磁场（EMF）。但是，起搏器和其他类似医疗设备的用户应在操作本电动工具前咨询其设备的制造商和 / 或医生寻求建议。

人身安全

1. 保持警觉，当操作电动工具时关注所从事的操作并保持清醒。当你感到疲倦，或在有药物、酒精或治疗反应时，不要操作电动工具。在操作电动工具时瞬间的疏忽会导致严重人身伤害。
2. 使用个人防护装置。始终佩戴护目镜。防护装置，诸如适当条件下使用防尘面具、防滑安全鞋、安全帽、听力防护等装置能减少人身伤害。
3. 防止意外起动。在连接电源和 / 或电池包、拿起或搬运工具前确保开关处于关断位置。手指放在开关上搬运工具或开关处于接通时通电会导致危险。
4. 在电动工具接通之前，拿掉所有调节钥匙或扳手。遗留在电动工具旋转零件上的扳手或钥匙会导致人身伤害。
5. 手不要过分伸展。时刻注意立足点和身体平衡。这样能在意外情况下能更好地控制住电动工具。
6. 着装适当。不要穿宽松衣服或佩戴饰品。让你的头发和衣服远离运动部件。宽松衣服、佩饰或长发可能会卷入运动部件。
7. 如果提供了与排屑、集尘设备连接用的装置，要确保其连接完好且使用得当。使用集尘装置可降低尘屑引起的危险。
8. 不要因为频繁使用工具而产生的熟悉感而掉以轻心，忽视工具的安全准则。某个粗心的动作可能在瞬间导致严重的伤害。
9. 使用电动工具时请始终佩带护目镜以免伤害眼睛。护目镜须符合美国 ANSI Z87.1、欧洲 EN 166 或者澳大利亚 / 新西兰的 AS/NZS 1336 的规定。在澳大利亚 / 新西兰，法律要求佩带面罩保护脸部。



雇主有责任监督工具操作者和其他近工作区域人员佩戴合适的安全防护设备。

电动工具使用和注意事项

1. 不要勉强使用电动工具，根据用途使用合适的电动工具。选用合适的按照额定值设计的电动工具会使你工作更有效、更安全。
2. 如果开关不能接通或关断电源，则不能使用该电动工具。不能通过开关来控制电动工具是危险的且必须进行修理。
3. 在进行任何调节、更换附件或贮存电动工具之前，必须从电源上拔掉插头和/或卸下电池包（如可拆卸）。这种防护性的安全措施降低了电动工具意外起动的风险。
4. 将闲置不用的电动工具贮存在儿童所及范围之外，并且不允许不熟悉电动工具和不了解这些说明的人操作电动工具。电动工具在未经培训的使用者手中是危险的。
5. 维护电动工具及其附件。检查运动部件是否调整到位或卡住，检查零件破损情况和影响电动工具运行的其他状况。如有损坏，应在使用前修理好电动工具。许多事故是由维护不良的电动工具引发的。
6. 保持切削刀具锋利和清洁。维护良好地有锋利切削刃的刀具不易卡住而且容易控制。
7. 按照使用说明书，并考虑作业条件和要进行的作业来选择电动工具、附件和工具的刀头等。将电动工具用于那些与其用途不符的操作可能会导致危险情况。
8. 保持手柄和握持表面干燥、清洁，不得沾有油脂。在意外的情况下，湿滑的手柄不能保证握持的安全和对工具的控制。
9. 使用本工具时，请勿佩戴可能会缠结的布质工作手套。布质工作手套卷入移动部件可能会造成人身伤害。

电池式工具使用和注意事项

1. 仅使用生产者规定的充电器充电。将适用于某种电池包的充电器用到其他电池包时可能会发生着火危险。
2. 仅使用配有专用电池包的电动工具。使用其他电池包可能会产生伤害和着火危险。
3. 当电池包不用时，将它远离其他金属物体，例如回形针、硬币、钥匙、钉子、螺钉或其他小金属物体，以防电池包一端与另一端连接。电池组端部短路可能会引起燃烧或着火。
4. 在滥用条件下，液体可能会从电池组中溅出；应避免接触。如果意外碰到液体，用水冲洗。如果液体碰到了眼睛，还应寻求医疗帮助。从电池中溅出的液体可能会发生腐蚀或燃烧。
5. 不要使用损坏或改装过的电池包或工具。损坏或改装过的电池组可能呈现无法预测的结果，导致着火、爆炸或伤害。
6. 不要将电池包暴露于火或高温中。电池包暴露于火或高于 130 °C 的高温中可能导致爆炸。
7. 遵循所有充电说明。不要在说明书中指定的温度范围之外给电池包或电动工具充电。不正确或在指定的温度范围外充电可能会损坏电池和增加着火的风险。

维修

1. 让专业维修人员使用相同的备件维修电动工具。这将保证所维修的电动工具的安全。
2. 决不能维修损坏的电池包。电池包仅能由生产者或其授权的维修服务商进行维修。
3. 上润滑油及更换附件时请遵循本说明书指示。

充电式抛光机使用安全警告

关于砂磨或抛光操作的一般安全警告：

1. 本电动工具主要作为砂磨机或抛光机使用。请通读本电动工具附带的所有安全警告、说明、插图和规格。若不遵循下列说明，则可能导致触电、起火和/或严重的人身伤害。
2. 最好不要将本工具用于磨削、钢丝刷清理或切割等操作。进行非本工具设计用途的操作可能会有危险并导致人身伤害。

3. 请勿使用非专用的或未得到工具制造商推荐的附件。这样的附件虽然可安装到电动工具上，但无法确保操作安全。
 4. 附件的额定速度必须至少等同于电动工具上标示的最大速度。当运转速度大于额定速度时，附件可能会破裂并飞出。
 5. 附件的外径和厚度必须在工具的额定能力之内。尺寸不正确的附件将无法安全操控。
 6. 附件的安装螺纹必须与工具的主轴螺纹相匹配。对于使用法兰进行安装的附件，其轴孔必须与法兰的定位直径相适应。若附件与本电动工具的安装硬件不匹配，则会导致工具失衡、剧烈振动、甚至可能出现失控的情况。
 7. 请勿使用损坏的附件。每次使用之前，请检查支持垫盘等附件是否有裂痕、破损或过度磨损。如果工具或附件掉落，请检查有无损坏或重新安装一个未损坏的附件。检查和安装附件之后，请使旁观者以及您自己远离旋转的附件，并以最大空载速度运行工具一分钟。损坏的附件通常会在此测试期间破裂。
 8. 请穿戴个人劳防用品。根据应用情况，请使用面罩、安全护目镜或安全眼镜。根据情况佩带可防止较小的砂磨碎片或工件碎片的防尘面罩、耳罩、手套和车间用的围裙。护目镜必须具备可以防止多种操作所产生的飞溅的碎片伤害到您的能力。防尘面罩或呼吸器必须具备可过滤操作中产生的微粒的能力。长时间的高强度噪音可能会损伤您的听力。
 9. 使旁观者远离工作区域，保持一定的安全距离。所有进入工作区域的人员必须穿戴个人劳防用品。工件的碎片或破损的附件可能会飞溅到操作区域以外并导致人身伤害。
 10. 当进行作业时切割工具可能会接触到隐藏的电线，请仅握住电动工具的绝缘抓握表面。接触到“带电”的电线时，工具上曝露的金属部分也会“带电”，并使操作者触电。
 11. 在附件完全停止之前切勿将工具放下。旋转附件可能会碰撞地面或工作台面而导致工具失控。
 12. 您身边携带电动工具时请勿运行工具。防止因不小心接触到旋转附件而导致衣物被卷入，甚至伤及身体。
 13. 请定期清洁工具的通风口。电机的风扇会将灰尘带入外壳，过多的金属粉末累积会导致电气危害。
 14. 请勿在可燃物附近运行电动工具。火花可能会点燃这些物品。
 15. 请勿使用需要冷却液的附件。使用水或其他冷却液可能会导致触电或死亡。
- ### 反弹和相关警告
- 反弹是正在旋转的砂轮、垫片、钢丝刷或其他配件卡滞或卡滞时突然产生的反作用力。卡滞会导致旋转配件的快速停止，从而导致在卡滞点处对失控的工具产生与配件旋转方向相反的作用力。
- 例如，如果工件使得砂轮卡滞，则进入卡滞点的砂轮边缘将进入工件材料的表面，导致砂轮跳出或弹出。根据砂轮在卡滞点的运动方向，砂轮可能会跳向或远离操作者。在这种情况下，砂轮也可能会破裂。
- 电动工具误操作和/或不正确的操作步骤或操作条件将导致反弹，遵守以下所述的注意事项即可避免。
1. 请牢固紧握电动工具的把手，调整身体和手臂位置以防止反弹力。如果提供了辅助手柄，请务必使用，以在启动时最大程度地控制反弹或转矩反作用力。如果正确遵守注意事项，操作者可控制转矩反作用力或反弹力。
 2. 切勿将手靠近旋转的附件。附件可能会反弹到您手上。
 3. 请勿置身于发生反弹时电动工具可能移动的区域。反弹会在卡滞点处以与砂轮运动方向相反的力作用于砂轮。
 4. 当处理边角、锐利的边缘等处时请特别小心。避免使附件跳跃和卡滞。边角、锐利的边缘或附件发生跳跃可能会使旋转的附件被钩住并导致工具失控或反弹。
 5. 请勿安装锯链木雕锯片或齿状锯片。这些锯片会发生频繁的反弹并导致工具失控。
- ### 专用于砂磨操作的安全警告：
1. 请勿使用尺寸过大的砂纸。选择砂纸时请遵照制造商的推荐。大于砂盘的砂纸会有破裂的危险并可能导致砂轮片的卡滞、破裂或反弹。
- ### 专用于抛光操作的安全警告：
1. 请勿让抛光球的任何松散部分或其附着丝自由旋转。请缩拢或修剪任何松散的附着丝。松散和旋转的附着丝可能会缠结手指或击打工件。

附加安全警告：

1. 打开开关前，请确认砂轮未与工件接触。
2. 在实际的工件上使用工具之前，请先让工具空转片刻。请注意，振动或摇摆可能表示安装不当或砂轮不平衡。
3. 请使用砂轮的指定表面进行砂磨或抛光操作。
4. 运行中的工具不可离手放置。只可在手握工具的情况下操作工具。
5. 操作之后，请勿立刻触摸工件，因为它们可能会非常烫，导致烫伤皮肤。
6. 操作之后，请勿立刻触摸附件，因为它们可能会非常烫，从而导致烫伤皮肤。
7. 请遵照制造商的说明进行正确安装和使用砂轮。请小心处理和存放砂轮。
8. 检查并确认工件被正确支撑。
9. 请注意，关闭工具之后，砂轮还会继续旋转。
10. 请勿在任何含有石棉的材料上使用本工具。
11. 操作时请勿使用布质工作手套。布质手套的纤维可能会进入工具，导致工具破裂。

请保留此说明书。

警告： 请勿为图方便或因对产品足够熟悉（由于重复使用而获得的经验）而不严格遵循相关产品安全规则。使用不当或不遵循使用说明书中的安全规则会导致严重的人身伤害。

电池组的重要安全注意事项

1. 在使用电池组之前，请仔细阅读所有的说明以及（1）电池充电器，（2）电池，以及（3）使用电池的产品上的警告标记。
2. 切勿拆卸或改装电池组。否则可能引起火灾、过热或爆炸。
3. 如果机器运行时间变得过短，请立即停止使用。否则可能会导致过热、起火甚至爆炸。
4. 如果电解液进入您的眼睛，用清水将其冲洗干净并立即就医。否则可能会导致视力受损。
5. 请勿使电池组短路：
 - (1) 请勿使任何导电材料碰触到端子。
 - (2) 避免将电池组与其他金属物品如钉子、硬币等放置在同一容器内。
 - (3) 请勿将电池组置于水中或使其淋雨。

电池短路将产生大的电流，导致过热，并可能导致起火甚至击穿。

6. 请勿在温度可能达到或超过 **50°C (122°F)** 的场所存放以及使用工具和电池组。
7. 即使电池组已经严重损坏或完全磨损，也请勿焚烧电池组。电池组会在火中爆炸。
8. 请勿对电池组射钉，或者切削、挤压、抛掷、掉落电池组，又或者用硬物撞击电池组。否则可能引起火灾、过热或爆炸。
9. 请勿使用损坏的电池。
10. 本工具附带的锂离子电池需符合危险品法规要求。

第三方或转运代理等进行商业运输时，应遵循包装和标识方面的特殊要求。

有关运输项目的准备作业，咨询危险品方面的专业人士。同时，请遵守可能更为详尽的国家法规。

请使用胶带保护且勿遮掩表面的联络信息，并牢固封装电池，使电池在包装内不可动。

11. 丢弃电池组时，需将其从工具上卸下并在安全地带进行处理。关于如何处理废弃的电池，请遵循当地法规。
12. 仅将电池用于 **Makita**（牧田）指定的产品。将电池安装至不兼容的产品会导致起火、过热、爆炸或电解液泄漏。
13. 如长时间未使用工具，必须将电池从工具内取出。
14. 使用工具期间以及使用工具之后，电池组温度可能较高易引起灼伤或低温烫伤。处理高温电池组时请小心操作。
15. 在使用工具后请勿立即触碰工具的端子，否则可能引起灼伤。
16. 避免锯屑、灰尘或泥土卡入电池组的端子、孔口和凹槽内。否则可能导致工具或电池组性能下降或故障。
17. 除非工具支持在高压电源线路附近使用，否则请勿在高压电源线路附近使用电池组。否则可能导致工具或电池组故障或失常。
18. 确保电池远离儿童。

请保留此说明书。

小心： 请仅使用 **Makita**（牧田）原装电池。使用非 **Makita**（牧田）原装电池或经过改装的电池可能会导致电池爆炸，从而造成火灾、人身伤害或物品受损。同时也会导致牧田工具和充电器的牧田保修服务失效。

保持电池最大使用寿命的提示

1. 在电池组电量完全耗尽前及时充电。发现工具电量低时，请停止工具操作，并给电池组充电。
2. 请勿对已充满电的电池组重新充电。过度充电将缩短电池的使用寿命。
3. 请在 10°C - 40°C (50°F - 104°F) 的室温条件下给电池组充电。请在灼热的电池组冷却后再充电。
4. 不使用电池组时，请将其从工具或充电器上拆除。

功能描述

⚠️ 小心： 调节或检查工具功能之前，请务必关闭工具的电源并取出电池组。

安装或拆卸电池组

⚠️ 小心： 安装或拆卸电池组之前，请务必关闭工具电源。

⚠️ 小心： 安装或拆卸电池组时请握紧工具和电池组。否则它们可能从您的手中滑落，导致工具和电池组受损，甚至造成人身伤害。

► 图片 1: 1. 红色指示器 2. 按钮 3. 电池组

拆卸电池组时，按下电池组前侧的按钮，同时将电池组从工具中抽出。

安装电池组时，要将电池组上的舌簧与外罩上的凹槽对齐，然后推滑到位。将其完全插入到位，直到电池组被锁定并发出卡嗒声为止。如果插入后仍能看到按钮上侧的红色指示器，则说明电池组未完全锁紧。










⚠️ 小心： 务必完全装入电池组，直至看不见红色指示器为止。否则，它可能会从工具中意外脱落，从而造成自身或他人受伤。

⚠️ 小心： 请勿强行安装电池组。如果电池组难以插入，可能是插入方法不当。

显示电池的剩余电量

仅限带指示灯的电池组

► 图片 2: 1. 指示灯 2. CHECK (查看) 按钮
按电池组上的 CHECK (查看) 按钮可显示电池剩余电量。指示灯将亮起数秒。

指示灯		剩余电量
 点亮	 熄灭	
		75% 至 100%
		50% 至 75%
		25% 至 50%
		0% 至 25%

注：在不同的使用条件及环境温度下，指示灯所示电量可能与实际情况略有不同。

工具 / 电池保护系统

本工具配备有工具 / 电池保护系统。该系统可自动切断电机电源以延长工具和电池寿命。作业时，如果工具或电池处于以下情况，工具将会自动停止运转。

过载保护

以导致异常高电流的方式操作工具或电池时，工具会自动停止运转，指示灯不闪烁。在这种情况下，请关闭工具并停止导致工具过载的应用操作。然后开启工具重新启动。

过热保护

工具或电池过热时，工具会自动停止运转。在这种情况下，请待工具和电池冷却后再开启工具。

过放电保护


电池电量不足时，本工具自动停止运转。此时，请取出工具中的电池并予以充电。



开关操作

⚠️ 小心： 在将电池组插入工具之前，请务必检查开关扳机是否能扣动自如，松开时能否退回至“OFF”（关闭）位置。

⚠️ 小心： 长时间使用时，可将开关锁定在“ON”（开启）位置，使操作更加舒适。将工具锁定在“ON”（开启）位置时请小心，务必牢固抓握工具。

⚠️ 小心： 切勿在锁定按钮处于解锁状态时安装电池组。

⚠️ 小心： 不再操作工具时，从  侧按下扳机锁按钮，将开关扳机锁定在关位置。

为避免使用者不小心扣动开关扳机，本工具采用扳机锁按钮。要启动工具时，从 A () 侧按下扳机锁按钮，然后扣动开关扳机即可。随着在开关扳机上施加压力的增大，工具速度会提高。松开开关扳机工具即停止。使用之后，从 B () 侧按下扳机锁按钮。

► 图片 3: 1. 扳机锁按钮

需长时间操作时，请在按住开关扳机的同时按下锁定按钮，然后再松开开关扳机。要停止工具时，可将开关扳机扣到底，然后松开。

► 图片 4: 1. 开关扳机 2. 锁定按钮 3. 扳机锁按钮

变速杆

⚠️ 小心： 请务必将变速杆完全置于正确位置。在变速杆处于“1”侧与“2”侧之间的半位时操作工具，会使工具受损。

⚠️ 小心： 不可在机器运转时使用变速杆。否则可能会损坏工具。

⚠️ 小心： 如果工具长时间以低速持续操作，则电机可能会过载，导致工具出现故障。

若要改变速度，请先关闭工具。需要高速时将变速杆推向“2”，需要低速时将变速杆推向“1”。使用之前确保将变速杆置于正确位置。请使用适当的速度进行工作。

► 图片 5: 1. 变速杆

显示的数字	符号	速度	适用操作
2		高速	砂磨操作
1		低速	抛光操作

防止意外重启功能

即使在扣住开关扳机或锁定开关扳机的情况下安装电池组，工具不会启动。要启动工具，请先松开开关扳机，然后再扣动开关扳机即可。

装配

⚠️ 小心： 对工具进行任何装配操作前，请务必关闭工具电源，并取出电池组。

侧把手的安装

⚠️ 小心： 牢牢拧紧封盖或侧把手。否则前盖可能会跌落导致人身伤害。

取下盖子，并将侧把手牢固地拧紧在工具上。可以将侧把手安装在工具的任一侧。

► 图片 6: 1. 盖子 2. 侧把手

安装支持垫盘

⚠️ 小心： 确保支持垫盘已正确紧固。松散的附件将会失去平衡并造成过度振动，从而导致失控。

⚠️ 小心： 切勿在主轴转动时启用轴锁。否则可能会损坏工具。

注： 定期清洁附件和主轴以去除灰尘和碎片。必要时，请使用蘸有肥皂水的抹布将元件擦拭干净。

钩环型系统

按下轴锁防止主轴旋转，然后将支持垫盘旋入主轴。再手动将其牢固拧紧。

► 图片 7: 1. 轴锁 2. 主轴 3. 支持垫盘

要拆下支持垫盘时，请按与安装时相反的步骤进行操作。

拧紧 / 拧松型系统

将支持垫盘拧至适配器上。然后在按下轴锁的同时将适配器的另一端旋入主轴内。再手动将其牢固拧紧。

► 图片 8: 1. 支持垫盘 2. 适配器 3. 轴锁 4. 主轴

要拆下支持垫盘时，请按与安装时相反的步骤进行操作。

安装和拆卸抛光盘

⚠️小心： 请仅使用抛光专用的钩环型系统垫片。

⚠️小心： 确保垫片和支持垫盘对齐并牢固安装。否则垫片将造成会过度振动，引起失控或垫片飞出工具。

清除钩环型系统垫片和支持垫盘上的所有污垢和异物。安装垫片至支持垫盘，使两者的边缘对齐。

从支持垫盘上拆下垫片时，只需从其边缘向上拉出。

▶ **图片 9:** 1. 垫片 2. 支持垫盘

安装砂轮片

选购附件

⚠️小心： 请仅使用砂磨专用的拧紧 / 拧松型系统砂轮片。

砂轮片选型

⚠️小心： 附件的外直径必须在工具的额定工作性能之内。

⚠️小心： 附件的额定速度必须等于或高于电动工具上标示的最大速度。

务必使用规格及磨料合适、砂粒度尺寸适用于当前作业的砂轮。

砂轮片材料

磨料	基本特性	实际应用
氧化铝	最适用于钢、不锈钢和金属。高韧性、高耐久性单晶磨料。	快速砂磨大多数金属加工
氧化铝锆	最适用于 INOX 和金属。极其锋利、高耐久性硬性磨料。	清除汽车和船艇等载具上的喷漆。
陶瓷	最适用于 INOX、金属和非铁质材料。极其锋利，抗震性 / 抗热性 / 抗磨性强。	一般金属加工

砂粒尺寸

砂粒	实际应用
24/36 (粗粒)	大切削量
60/80	中等切削量
120 (细粒)	精加工

安装和拆卸砂轮片

⚠️小心： 确保支持垫盘已正确紧固。松散的附件将会失去平衡并造成过度振动，从而导致失控。

清除支持垫盘上的所有污垢和异物。在按压轴锁的同时，将砂轮片旋拧至支持垫盘上。再手动将其牢固拧紧。

要将砂轮片从支持垫盘上拆下时，请按与安装时相反的步骤进行操作。

▶ **图片 10:** 1. 砂轮片 2. 支持垫盘

操作

⚠️小心： 请仅使用抛光用的 **Makita** (牧田) 原装垫片。

⚠️小心： 请仅使用砂磨专用的 **Makita** (牧田) 原装砂轮片 (选购附件)。

⚠️小心： 确保牢固固定加工材料。落下的物体可能会造成人身伤害。

⚠️小心： 操作本工具时，请用一只手牢牢抓住开关把手，另一只手紧握侧把手。

⚠️小心： 请勿在高负载的情况下过长时间运转工具。否则可能会造成工具故障，引起触电、火灾和 / 或严重伤害。

⚠️小心： 请勿触摸旋转部件。

⚠️小心： 在操作工具前，请确保侧把手或封盖已固定牢靠。如果侧把手或封盖松动，则前盖可能会跌落，导致人身伤害。

注意： 切勿对工具用力过大压力过大。压力过大可能会降低抛光效率、损坏垫片或缩短工具寿命。

注意： 连续高速操作可能会损坏工件表面。

一般操作

► 图片 11

1. 确保工件获得正确支撑并且双手可自由控制工具。
2. 请用一只手牢牢抓住开关把手，另一只手紧握侧把手。
3. 打开工具，然后待砂轮达到全速后再小心操作工具，使其向前移动至工件表面上。
4. 完成操作后，请务必关闭工具，待砂轮完全停止转动后再把工具放下。

抛光操作

► 图片 12

1. 表面处理

使用羊绒抛光刷进行粗抛光，然后使用海绵垫进行精细抛光。

2. 涂蜡

使用海绵垫。将蜡涂抹在海绵垫或工作表面上。低速运行工具，使蜡分布均匀。

⚠️小心：请勿涂抹过多的蜡或抛光剂。否则会产生过多的灰尘，并可能引起眼部或呼吸疾病。

注：请先在作业表面的不显眼部分进行试打蜡。确保工具不会刮花表面或造成涂蜡不均。

3. 除蜡

使用海绵垫。运行工具，清除表面上的蜡。

4. 抛光

将海绵垫轻轻覆于作业表面上。

砂磨操作

⚠️小心：切勿在工具与工件接触的情况下接通工具电源，否则会导致操作者受伤。

⚠️小心：切勿在未安装砂轮片时运转工具，否则可能会使垫片严重受损。

⚠️小心：操作时请务必佩戴安全眼镜或面罩。

⚠️小心：操作完毕后，请务必关闭工具，并等到砂轮片完全停止转动后再把工具放下。

► 图片 13

请务必用一只手握持工具后把手，另一只手握持侧把手，将工具握紧。打开工具开关，然后使用砂轮片加工工件。通常砂轮片应与工件表面保持约15°的角度。只能施加较小的压力。压力过大会导致性能不良并使砂轮片过早磨损。

保养

⚠️小心：检查或保养工具之前，请务必关闭工具电源并取出电池组。

注意：切勿使用汽油、苯、稀释剂、酒精或类似物品清洁工具。否则可能会导致工具变色、变形或出现裂缝。

为了保证产品的安全与可靠性，维修、任何其他维修保养或调节需由 Makita（牧田）授权的或工厂维修服务中心完成。务必使用 Makita（牧田）的替换部件。

清洁防尘罩

► 图片 14: 1. 防尘罩

定期清洁防尘罩吸风口以使空气可流畅流动。拆下防尘罩并清洁网眼。

选购附件



⚠️小心：这些附件或装置专用于本说明书所列的 Makita（牧田）工具。如使用其他厂牌附件或装置，可能导致人身伤害。仅可将附件或装置用于规定目的。

如您需要了解更多关于这些选购附件的信息，请咨询当地的 Makita（牧田）维修服务中心。

- 羊绒抛光刷
- 海绵垫（黄色）
- 海绵垫（白色）
- 魔术垫
- 拧紧 / 拧松衬垫
- Makita（牧田）原装电池和充电器

注：本列表表中的一些部件可能作为标准配件包含于工具包装内。它们可能因销往国家之不同而异。

SPEKIFIKASI

Model:		PV301D
Kapasitas maksimum	Bantalan wol	80 mm
	Bantalan spons	80 mm
	Cakram pengampelas	50 mm
Diameter bantalan belakang	Untuk mengampelas	46 mm
	Untuk memoles	75 mm
Kecepatan terukur (n) / Kecepatan tanpa beban (n ₀)	Tinggi (2 ): mode pengampelasan	0 - 9.500 min ⁻¹
	Rendah (1 ): mode pemolesan	0 - 2.800 min ⁻¹
Panjang keseluruhan		139 mm *1
Tegangan terukur		D.C. 10,8 V - 12 V maks
Berat bersih		1,1 - 1,2 kg

*1. Dengan kartrid baterai (BL1041B).

- Karena kesinambungan program penelitian dan pengembangan kami, spesifikasi yang disebutkan di sini dapat berubah tanpa pemberitahuan.
- Spesifikasi dan kartrid baterai dapat berbeda dari satu negara ke negara lainnya.
- Berat alat mungkin berbeda tergantung perangkat tambahan yang dipasang, termasuk kartrid baterai. Kombinasi alat terberat dan teringan, sesuai Prosedur EPTA 01/2014, ditunjukkan pada tabel.

Kartrid dan pengisi daya baterai yang dapat digunakan





Kartrid baterai	BL1016 / BL1021B / BL1041B
Pengisi daya	DC10SA / DC10SB / DC10WC / DC10WD / DC18RE

- Beberapa kartrid baterai dan pengisi daya yang tercantum di atas mungkin tidak tersedia, tergantung wilayah tempat tinggal Anda.

⚠ PERINGATAN: Hanya gunakan kartrid dan pengisi daya baterai yang tercantum di atas. Penggunaan kartrid dan pengisi daya baterai lain dapat menimbulkan risiko cedera dan/atau kebakaran.

Simbol

Berikut ini adalah simbol-simbol yang dapat digunakan pada peralatan ini. Pastikan Anda memahami arti masing-masing simbol sebelum menggunakan peralatan.

	Baca petunjuk penggunaan.
	Gunakan kaca mata pengaman.
	
	



Hanya untuk negara-negara UE
Jangan membuang peralatan listrik atau paket baterai bersama-sama dengan bahan limbah rumah tangga!
Dengan memerhatikan Petunjuk Eropa, tentang Limbah Peralatan Listrik dan Elektronik serta Baterai dan Akumulator serta Limbah Baterai dan Akumulator dan pelaksanaannya sesuai dengan ketentuan hukum nasional, peralatan listrik dan baterai dan paket baterai yang telah habis umur pakainya harus dikumpulkan secara terpisah dan dikembalikan ke fasilitas daur ulang yang kompatibel secara lingkungan.

Penggunaan

Mesin ini digunakan untuk memoles, melicinkan sebelum pengecatan, menghaluskan permukaan, dan menghilangkan karat dan cat.

PERINGATAN KESELAMATAN

Peringatan keselamatan umum mesin listrik

⚠️ PERINGATAN: Bacalah semua peringatan keselamatan, petunjuk, ilustrasi dan spesifikasi yang disertakan bersama mesin listrik ini. Kelalaian untuk mematuhi semua petunjuk yang tercantum di bawah ini dapat menyebabkan sengatan listrik, kebakaran dan/atau cedera serius.

Simpanlah semua peringatan dan petunjuk untuk acuan di masa depan.

Istilah "mesin listrik" dalam semua peringatan mengacu pada mesin listrik yang dijalankan dengan sumber listrik jala-jala (berkabel) atau baterai (tanpa kabel).

Keselamatan tempat kerja

1. **Jaga tempat kerja selalu bersih dan berpenerangan cukup.** Tempat kerja yang berantakan dan gelap mengundang kecelakaan.
2. **Jangan gunakan mesin listrik dalam lingkungan yang mudah meledak, misalnya jika ada cairan, gas, atau debu yang mudah menyala.** Mesin listrik menimbulkan bunga api yang dapat menyalakan debu atau uap tersebut.
3. **Jauhkan anak-anak dan orang lain saat menggunakan mesin listrik.** Bila perhatian terpecah, anda dapat kehilangan kendali.

Keamanan Kelistrikan

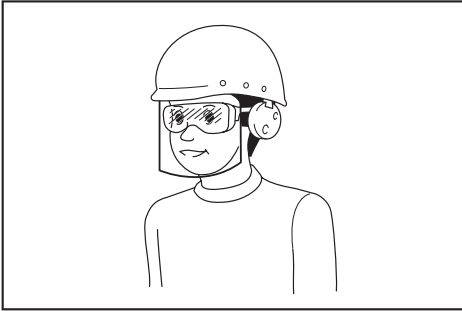
1. **Steker mesin listrik harus cocok dengan stopkontak. Jangan sekali-kali mengubah steker dengan cara apa pun. Jangan menggunakan steker adaptor dengan mesin listrik terbumi (dibumikan).** Steker yang tidak diubah dan stopkontak yang cocok akan mengurangi risiko sengatan listrik.
2. **Hindari sentuhan tubuh dengan permukaan terbumi atau yang dibumikan seperti pipa, radiator, kompor, dan kulkas.** Risiko sengatan listrik bertambah jika tubuh Anda terbumikan atau dibumikan.
3. **Jangan membiarkan mesin listrik kehujanan atau kebasahan.** Air yang masuk ke dalam mesin listrik akan meningkatkan risiko sengatan listrik.
4. **Jangan menyalahtgunakan kabel. Jangan sekali-kali menggunakan kabel untuk membawa, menarik, atau mencabut mesin listrik dari stopkontak. Jauhkan kabel dari panas, minyak, tepian tajam, atau bagian yang bergerak.** Kabel yang rusak atau kusut memperbesar risiko sengatan listrik.
5. **Bila menggunakan mesin listrik di luar ruangan, gunakan kabel ekstensi yang sesuai untuk penggunaan di luar ruangan.** Penggunaan kabel yang sesuai untuk penggunaan luar ruangan mengurangi risiko sengatan listrik.

6. **Jika mengoperasikan mesin listrik di lokasi lembap tidak terhindarkan, gunakan pasokan daya yang dilindungi peranti imbasan arus (residual current device - RCD).** Penggunaan RCD mengurangi risiko sengatan listrik.
7. **Mesin listrik dapat menghasilkan medan magnet (EMF) yang tidak berbahaya bagi pengguna.** Namun, pengguna alat pacu jantung atau peralatan medis sejenisnya harus berkonsultasi dengan produsen peralatan tersebut dan/atau dokter mereka sebelum mengoperasikan mesin listrik ini.

Keselamatan Diri

1. **Jaga kewaspadaan, perhatikan pekerjaan Anda dan gunakan akal sehat bila menggunakan mesin listrik. Jangan menggunakan mesin listrik saat Anda lelah atau di bawah pengaruh obat bius, alkohol, atau obat.** Sekejap saja lalai saat menggunakan mesin listrik dapat menyebabkan cedera badan serius.
2. **Gunakan alat pelindung diri. Selalu gunakan pelindung mata.** Peralatan pelindung seperti masker debu, sepatu pengaman anti-selip, helm pengaman, atau pelindung telinga yang digunakan untuk kondisi yang sesuai akan mengurangi risiko cedera badan.
3. **Cegah penyalaan yang tidak disengaja. Pastikan bahwa sakelar berada dalam posisi mati (off) sebelum menghubungkan mesin ke sumber daya dan/atau paket baterai, atau mengangkat atau membawanya.** Membawa mesin listrik dengan jari Anda pada sakelarnya atau mengalirkan listrik pada mesin listrik yang sakelarnya hidup (on) akan mengundang kecelakaan.
4. **Lepaskan kunci-kunci penyetel sebelum menghidupkan mesin listrik.** Kunci-kunci yang masih terpasang pada bagian mesin listrik yang berputar dapat menyebabkan cedera.
5. **Jangan meraih terlalu jauh. Jagalah pijakan dan keseimbangan sepanjang waktu.** Hal ini memungkinkan kendali yang lebih baik atas mesin listrik dalam situasi yang tidak diharapkan.
6. **Kenakan pakaian yang memadai. Jangan memakai pakaian yang longgar atau perhiasan. Jaga jarak antara rambut dan pakaian Anda dengan komponen mesin yang bergerak.** Pakaian yang longgar, perhiasan, atau rambut yang panjang dapat tersangkut pada komponen yang bergerak.
7. **Jika tersedia fasilitas untuk menghisap dan mengumpulkan debu, pastikan fasilitas tersebut terhubung listrik dan digunakan dengan baik.** Penggunaan pembersih debu dapat mengurangi bahaya yang terkait dengan debu.
8. **Jangan sampai Anda lelah dan mengabaikan prinsip keselamatan mesin ini hanya karena sudah sering mengoperasikannya dan sudah merasa terbiasa.** Tindakan yang lalai dapat menyebabkan cedera berat dalam sepersekian detik saja.

9. **Selalu kenakan kacamata pelindung untuk melindungi mata dari cedera saat menggunakan mesin listrik. Kacamata harus sesuai dengan ANSI Z87.1 di Amerika Serikat, EN 166 di Eropa, atau AS/NZS 1336 di Australia/Selandia Baru. Di Australia/Selandia Baru, secara hukum Anda juga diwajibkan mengenakan pelindung wajah untuk melindungi wajah Anda.**



Menjadi tanggung jawab atasan untuk menerapkan penggunaan alat pelindung keselamatan yang tepat bagi operator mesin dan orang lain yang berada di area kerja saat itu.

Penggunaan dan pemeliharaan mesin listrik

- 1. Jangan memaksa mesin listrik. Gunakan mesin listrik yang tepat untuk keperluan Anda.** Mesin listrik yang tepat akan menuntaskan pekerjaan dengan lebih baik dan aman pada kecepatan sesuai rancangannya.
- 2. Jangan gunakan mesin listrik jika sakelar tidak dapat menyala dan memastikannya.** Mesin listrik yang tidak dapat dikendalikan dengan sakelarnya adalah berbahaya dan harus diperbaiki.
- 3. Cabut steker dari sumber listrik dan/atau lepas paket baterai, jika dapat dilepas, dari mesin listrik sebelum melakukan penyetelan apa pun, mengganti aksesoris, atau menyimpan mesin listrik.** Langkah keselamatan preventif tersebut mengurangi risiko hidupnya mesin secara tak sengaja.
- 4. Simpan mesin listrik jauh dari jangkauan anak-anak dan jangan biarkan orang yang tidak paham mengenai mesin listrik tersebut atau petunjuk ini menggunakan mesin listrik.** Mesin listrik sangat berbahaya di tangan pengguna yang tak terlatih.
- 5. Rawatlah mesin listrik dan aksesoris. Periksa apakah ada komponen bergerak yang tidak lurus atau macet, komponen yang pecah, dan kondisi-kondisi lain yang dapat memengaruhi pengoperasian mesin listrik. Jika rusak, perbaiki mesin listrik terlebih dahulu sebelum digunakan.** Banyak kecelakaan disebabkan oleh kurangnya pemeliharaan mesin listrik.
- 6. Jaga agar mesin pemotong tetap tajam dan bersih.** Mesin pemotong yang terawat baik dengan mata pemotong yang tajam tidak mudah macet dan lebih mudah dikendalikan.
- 7. Gunakan mesin listrik, aksesoris, dan mata mesin, dll. sesuai dengan petunjuk ini, dengan memperhitungkan kondisi kerja dan jenis pekerjaan yang dilakukan.** Penggunaan mesin listrik untuk penggunaan yang lain dari peruntukan dapat menimbulkan situasi berbahaya.
- 8. Jagalah agar gagang dan permukaan pegangan tetap kering, bersih, dan bebas dari minyak dan pelumas.** Gagang dan permukaan pegangan yang licin tidak mendukung keamanan penanganan dan pengendalian mesin dalam situasi-situasi tak terduga.
- 9. Ketika menggunakan mesin, jangan menggunakan sarung tangan kain yang dapat tersangkut.** Sarung tangan kain yang tersangkut pada komponen bergerak dapat mengakibatkan cedera pada pengguna.

Penggunaan dan pemeliharaan mesin bertenaga baterai

- 1. Isi ulang baterai hanya dengan pengisi daya yang ditentukan oleh pabrik.** Pengisi daya yang cocok untuk satu jenis paket baterai dapat menimbulkan risiko kebakaran ketika digunakan untuk paket baterai yang lain.
- 2. Gunakan mesin listrik hanya dengan paket baterai yang telah ditentukan secara khusus.** Penggunaan paket baterai lain dapat menimbulkan risiko cedera dan kebakaran.
- 3. Ketika paket baterai tidak digunakan, jauhkan dari benda logam lain, seperti penjepit kertas, uang logam, kunci, paku, sekrup atau benda logam kecil lainnya, yang dapat menghubungkan satu terminal ke terminal lain.** Hubungan singkat terminal baterai dapat menyebabkan luka bakar atau kebakaran.
- 4. Pemakaian yang salah, dapat menyebabkan keluarnya cairan dari baterai; hindari kontak. Jika terjadi kontak secara tidak sengaja, bilas dengan air. Jika cairan mengenai mata, cari bantuan medis.** Cairan yang keluar dari baterai bisa menyebabkan iritasi atau luka bakar.
- 5. Jangan menggunakan paket baterai atau mesin yang sudah rusak atau telah diubah.** Baterai yang rusak atau telah diubah dapat menyebabkan hal-hal yang tidak dapat diprediksi yang dapat menyebabkan kebakaran, ledakan atau risiko cedera.
- 6. Jangan membiarkan paket baterai atau mesin dekat dengan api atau suhu yang berlebihan.** Paparan api atau suhu di atas 130 °C dapat menyebabkan ledakan.
- 7. Ikuti semua petunjuk pengisian daya dan jangan mengisi daya paket baterai atau mesin di luar rentang suhu yang ditentukan di panduan.** Mengisi daya secara tidak tepat atau pada suhu di luar rentang yang ditentukan dapat merusak baterai dan meningkatkan risiko kebakaran.

Servis

- 1. Berikan mesin listrik untuk diperbaiki hanya kepada oleh teknisi yang berkualifikasi dengan menggunakan hanya suku cadang pengganti yang serupa.** Hal ini akan menjamin terjaganya keamanan mesin listrik.

2. **Jangan pernah memperbaiki paket baterai yang sudah rusak.** Perbaikan paket baterai harus dilakukan hanya oleh produsen atau penyedia servis resmi.
3. **Patuhi petunjuk pelumasan dan penggantian aksesoris.**

Peringatan keselamatan mesin pemoles pengampelas tanpa kabel

Peringatan Keselamatan Umum untuk Pekerjaan Pengampelasan atau Pemolesan:

1. **Mesin listrik ini berfungsi sebagai mesin pengampelas atau pemoles. Bacalah semua peringatan keselamatan, petunjuk, ilustrasi dan spesifikasi yang disertakan bersama mesin listrik ini.** Kelalaian untuk mematuhi semua petunjuk yang tercantum di bawah ini dapat menyebabkan sengatan listrik, kebakaran dan/atau cedera serius.
2. **Tidak dianjurkan menggunakan mesin listrik ini untuk melakukan pekerjaan seperti menggerinda, menyikat dengan kawat, atau memotong.** Pekerjaan yang tidak sesuai dengan spesifikasi mesin listrik ini dapat menimbulkan bahaya dan menyebabkan cedera pada pengguna.
3. **Jangan gunakan aksesoris yang tidak dirancang secara khusus dan dianjurkan oleh produsen mesin.** Hanya karena aksesoris tersebut dapat dipasang pada mesin listrik Anda, bukan berarti dapat menjamin keselamatan dalam pengoperasian.
4. **Kecepatan terukur pada aksesoris setidaknya harus sama dengan kecepatan maksimum yang tertera pada mesin listrik.** Aksesoris yang bekerja lebih cepat dari kecepatan terukurnya mungkin saja pecah dan terlempar.
5. **Diameter luar dan tebal aksesoris Anda harus berada dalam nilai kapasitas mesin listrik Anda.** Aksesoris dengan ukuran yang tidak tepat tidak dapat dilindungi atau dikendalikan secara memadai.
6. **Pemasangan aksesoris berulir harus sesuai dengan ulir spindel mesin. Untuk aksesoris yang dipasang menggunakan flensa, lubang arbor pada aksesoris harus cocok dengan diameter tempat pemasangan pada flensa.** Aksesoris yang tidak sesuai dengan perangkat keras pemasangan mesin listrik akan bekerja secara tidak seimbang, bergetar berlebihan dan dapat menyebabkan hilangnya kendali.
7. **Jangan menggunakan aksesoris yang sudah rusak. Sebelum digunakan, selalu periksa aksesoris seperti bantalan belakang akan adanya keretakan, pecah atau keausan yang berlebihan. Jika mesin listrik atau aksesoris jatuh, periksa apakah terjadi kerusakan, atau pasang aksesoris yang tidak rusak. Setelah memeriksa dan memasang aksesoris, jauhkan posisi Anda dan orang di sekitar dari bidang aksesoris yang berputar dan jalankan mesin listrik pada kecepatan maksimum tanpa beban selama satu menit.** Aksesoris yang rusak umumnya akan pecah selama waktu pengujian ini.

8. **Kenakan alat pelindung diri. Tergantung pekerjaannya, gunakan pelindung muka, kaca mata pelindung atau kaca mata pengaman. Sesuai dengan pekerjaannya, kenakan masker debu, pelindung telinga, sarung tangan, dan apron bengkel yang mampu menahan debu gerinda atau serpihan benda kerja.** Pelindung mata harus mampu menahan debu yang berhamburan, yang ditimbulkan dari berbagai jenis pekerjaan. Masker debu atau alat pernapasan harus mampu menyaring partikel yang dihasilkan dari pekerjaan Anda. Terpaan yang berkepanjangan terhadap kebisingan berintensitas tinggi dapat menyebabkan hilangnya pendengaran.
9. **Jaga agar orang di sekitar berada dalam jarak aman yang jauh dari area kerja. Siapa pun yang masuk ke area kerja harus mengenakan alat pelindung diri.** Potongan benda kerja atau dari aksesoris yang rusak mungkin saja terlempar dan menyebabkan cedera di area yang langsung berdekatan dengan pekerjaan.
10. **Pegang mesin listrik hanya pada permukaan genggaman yang terisolasi saat melakukan pekerjaan karena mesin pemotong mungkin saja bersentuhan dengan kabel tersembunyi.** Sentuhan kawat "hidup" dapat menyebabkan bagian logam pada mesin teraliri arus listrik dan menyengat pengguna.
11. **Jangan sekali-kali meletakkan mesin listrik sebelum aksesorinya benar-benar berhenti.** Aksesoris yang berputar dapat menyambar permukaan dan menarik mesin listrik di luar kendali Anda.
12. **Jangan menyalakan mesin listrik sambil membawanya di sisi badan Anda.** Sentuhan yang tidak disengaja oleh aksesoris yang berputar dapat merobek pakaian Anda, yang akan menarik aksesoris ke arah badan Anda.
13. **Bersihkan ventilasi udara mesin listrik secara rutin.** Kipas motor akan menarik debu ke dalam rumahan, dan serbuk logam yang terkumpul secara berlebihan dapat menyebabkan bahaya listrik.
14. **Jangan mengoperasikan mesin listrik di dekat benda-benda yang mudah terbakar.** Percikan apinya dapat menyulut benda-benda tersebut.
15. **Jangan menggunakan aksesoris yang membutuhkan cairan pendingin.** Menggunakan air atau cairan pendingin lain dapat mengakibatkan kematian akibat sengatan listrik.

Hentikan balik dan Peringatan Terkait

Hentikan balik merupakan reaksi tiba-tiba akibat terjepit atau tersangkutnya roda yang berputar, bantalan belakang, sikat atau aksesoris lainnya. Kondisi terjepit atau tersangkut akan menyebabkan aksesoris yang berputar akan berhenti dengan cepat yang kemudian berubah mengakibatkan terdorongnya mesin listrik yang tak terkendali ke arah yang berlawanan dengan putaran aksesoris di titik tempat aksesoris tersebut terjepit.

Sebagai contoh, jika roda ampelas tersangkut atau terjepit oleh benda kerja, tepi roda yang masuk ke titik tempat roda tersebut terjepit bisa menggali permukaan bahan, yang menyebabkan roda tersebut menanjak atau menghentak. Roda mungkin saja melompat ke arah atau menjauhi operator, tergantung arah gerakan roda di titik tempat roda tersebut terjepit. Roda ampelas juga mungkin saja pecah karena kondisi tersebut. Hentakan balik merupakan akibat dari kesalahan cara penggunaan mesin listrik dan/atau prosedur atau kondisi pengoperasian yang salah, dan dapat dihindari dengan melakukan tindakan kewaspadaan yang tepat sebagaimana diuraikan di bawah ini.

1. **Pertahankan genggaman yang kuat pada mesin listrik serta posisi badan dan lengan Anda sehingga Anda dapat menahan gaya hentakan balik. Selalu gunakan pegangan tambahan, bila tersedia, untuk mengendalikan hentakan balik atau reaksi torsi secara maksimum selama mesin mulai dihidupkan.** Jika tindakan kewaspadaan yang tepat dilakukan, operator dapat mengendalikan reaksi torsi atau gaya hentakan balik.
2. **Jangan sekali-kali memosisikan tangan Anda di dekat aksesoris yang berputar.** Aksesoris mungkin saja menghentak balik ke arah tangan Anda.
3. **Jangan memosisikan badan Anda di area tempat mesin listrik akan bergerak bila terjadi hentakan balik.** Hentakan balik akan memutar mesin dalam arah yang berlawanan dengan gerakan roda di titik tempat roda tersebut tersangkut.
4. **Sangat berhati-hatilah saat bekerja di area sudut, tepi yang tajam, dsb. Jaga agar aksesoris tidak memantul atau tersangkut.** Area sudut, tepi yang tajam, atau pantulan cenderung menyebabkan aksesoris yang berputar tersangkut dan menyebabkan kehilangan kendali atau timbulnya hentakan balik.
5. **Jangan memasang mata gergaji rantai atau mata gergaji bergerigi.** Mata mesin seperti ini menghasilkan hentakan balik secara berkali-kali dan menyebabkan kehilangan kendali.

Peringatan Keselamatan Khusus untuk Pekerjaan Pengampelasan:

1. **Jangan menggunakan kertas cakram ampelas yang ukurannya terlalu besar.** Ikuti rekomendasi pabrik saat memilih kertas ampelas. Kertas ampelas yang lebih besar melebihi bantalan ampelas akan menimbulkan bahaya cedera dan bisa menyebabkan tersangkut, pecahnya cakram atau terjadinya hentakan balik.

Peringatan Keselamatan Khusus untuk Pekerjaan Pemolesan:

1. **Jangan biarkan bagian bonet pemoles atau benang perangkat tambahan mesin yang longgar berputar dengan bebas.** Selipkan atau potong benang perangkat tambahan yang longgar. Benang perangkat tambahan yang longgar dan berputar dapat menjerat jari Anda atau memotong benda kerja.

Peringatan Keselamatan Tambahan:

1. **Pastikan bahwa roda tidak menyentuh benda kerja sebelum sakelar dinyalakan.**
2. **Sebelum menggunakan mesin pada benda kerja yang sebenarnya, jalankan mesin sebentar.** Waspada! getaran atau goyangan yang dapat menunjukkan lemahnya pemasangan atau roda yang kurang seimbang.
3. **Gunakan permukaan roda yang sudah ditentukan untuk melakukan pengampelasan atau pemolesan.**
4. **Jangan tinggalkan mesin dalam keadaan hidup.** Jalankan mesin hanya ketika digenggam dengan tangan.
5. **Jangan menyentuh benda kerja segera setelah pengoperasian;** suhunya mungkin masih sangat panas dan dapat membakar kulit Anda.
6. **Jangan menyentuh aksesoris segera setelah penggunaan;** suhunya mungkin masih sangat panas dan dapat membakar kulit Anda.
7. **Patuhi petunjuk produsen mengenai cara memasang dan menggunakan roda yang benar.** Rawat dan simpan roda dengan cermat.
8. **Periksa apakah benda kerja telah ditopang dengan baik.**
9. **Perhatikan bahwa roda terus berputar setelah mesin dimatikan.**
10. **Jangan menggunakan mesin pada bahan yang mengandung asbestos.**
11. **Jangan gunakan sarung tangan kerja kain selama pengoperasian.** Serat dari sarung tangan kain dapat masuk ke mesin dan mengakibatkan kerusakan.

SIMPAN PETUNJUK INI.

⚠️ PERINGATAN: JANGAN biarkan kenyamanan atau terbiasanya Anda dengan produk (karena penggunaan berulang) mengurangi kepatuhan yang ketat terhadap aturan keselamatan untuk produk yang terkait. **PENYALAHGUNAAN** atau kelalaian mematuhi kaidah keselamatan yang tertera dalam petunjuk ini dapat menyebabkan cedera badan serius.

Petunjuk keselamatan penting untuk kartrid baterai

1. **Sebelum menggunakan kartrid baterai, bacalah semua petunjuk dan penandaan pada (1) pengisi daya baterai, (2) baterai, dan (3) produk yang menggunakan baterai.**
2. **Jangan membongkar atau memodifikasi kartrid baterai.** Tindakan tersebut dapat menimbulkan api, panas berlebih, atau ledakan.
3. **Jika waktu beroperasinya menjadi sangat singkat, segera hentikan penggunaan.** Hal tersebut dapat menimbulkan risiko panas berlebih, kemungkinan mengalami luka bakar atau bahkan terjadi ledakan.
4. **Jika elektrolit mengenai mata Anda, basuh dengan air bersih dan segera cari pertolongan medis.** Hal tersebut dapat mengakibatkan hilangnya kemampuan penglihatan Anda.

5. **Jangan menghubungkan terminal kartrid baterai:**
 - (1) **Jangan menyentuh terminal dengan bahan penghantar listrik apa pun.**
 - (2) **Hindari menyimpan kartrid baterai pada wadah yang berisi benda logam lain seperti paku, uang logam, dsb.**
 - (3) **Jangan membiarkan baterai terkena air atau keujanan.**

Hubungan singkat baterai dapat menyebabkan aliran arus listrik yang besar, panas berlebih, kemungkinan mengalami luka bakar dan bahkan kerusakan pada baterai.
6. **Jangan menyimpan dan menggunakan mesin dan kartrid baterai pada lokasi dengan suhu yang bisa mencapai atau melebihi 50 °C (122 °F).**
7. **Jangan membuang kartrid baterai di tempat pembakaran sampah walaupun benar-benar rusak atau tidak bisa digunakan sama sekali. Kartrid baterai bisa meledak jika terbakar.**
8. **Jangan memaku, memotong, menghancurkan, melempar, menjatuhkan kartrid baterai, atau memukulkan benda keras ke kartrid baterai.** Tindakan tersebut dapat menimbulkan api, panas berlebih, atau ledakan.
9. **Jangan menggunakan baterai yang rusak.**
10. **Baterai litium-ion yang disertakan sesuai dengan persyaratan Perundangan Makanan Berbahaya.**

Harus ada pengawasan untuk pengangkutan komersial misalnya oleh pihak ketiga, ekspeditor, persyaratan khusus terhadap pengemasan dan pelabelan.

Diperlukan adanya konsultasi dengan ahli mengenai material berbahaya untuk persiapan barang yang akan dikirimkan. Perhatikan pula peraturan nasional yang lebih terperinci yang mungkin ada.

Beri perekat atau tutupi bagian yang terbuka dan kemasi baterai dengan cara yang tidak akan menimbulkan pergeseran dalam pengemasan.
11. **Ketika membuang kartrid baterai, lepaskan dari mesin dan buang ke tempat yang aman. Patuhi peraturan setempat yang berkaitan dengan pembuangan baterai.**
12. **Gunakan baterai hanya dengan produk yang ditentukan oleh Makita.** Memasang baterai pada produk yang tidak sesuai dapat menyebabkan kebakaran, kelebihan panas, ledakan, atau kebocoran elektrolit.
13. **Jika mesin tidak digunakan dalam jangka waktu yang lama, baterai harus dilepas dari mesin.**
14. **Selama dan setelah digunakan, kartrid baterai mungkin menyimpan panas yang dapat menyebabkan luka bakar atau luka bakar suhu rendah.** Perhatikan cara memegang kartrid baterai yang masih panas.
15. **Jangan langsung menyentuh terminal mesin setelah digunakan karena suhunya mungkin cukup panas untuk menyebabkan luka bakar.**
16. **Jangan biarkan serpihan, debu, atau tanah menempel di terminal, lubang, dan alur kartrid baterai.** Hal tersebut dapat mengakibatkan kinerja buruk atau kerusakan mesin maupun kartrid baterai.
17. **Kecuali jika mesin mendukung penggunaan di dekat saluran listrik bertegangan tinggi, jangan gunakan kartrid baterai di dekat saluran listrik bertegangan tinggi.** Hal tersebut dapat mengakibatkan kegagalan fungsi atau kerusakan mesin maupun kartrid baterai.
18. **Jauhkan baterai dari jangkauan anak-anak.**

SIMPAN PETUNJUK INI.

⚠PERHATIAN: Gunakan baterai asli Makita. Penggunaan baterai Makita yang tidak asli, atau baterai yang sudah diubah, akan mengakibatkan baterai mudah terbakar, cedera dan kerusakan. Akan menghilangkan garansi Makita pada pengisi daya dan alat Makita.

Tip untuk menjaga agar umur pemakaian baterai maksimum

1. **Isi ulang kartrid baterai sebelum habis sama sekali. Selalu hentikan penggunaan mesin dan ganti kartrid baterai jika Anda melihat bahwa mesin kurang tenaga.**
2. **Jangan pernah mengisi ulang kartrid baterai yang sudah diisi penuh. Pengisian ulang yang berlebih memperpendek umur pemakaian baterai.**
3. **Isi ulang kartrid baterai pada suhu ruangan 10 °C - 40 °C. Biarkan kartrid baterai yang panas menjadi dingin terlebih dahulu sebelum diisi ulang.**
4. **Saat kartrid baterai tidak digunakan, lepaskan dari mesin atau pengisi daya.**

DESKRIPSI FUNGSI

⚠PERHATIAN: Selalu pastikan bahwa mesin dimatikan dan kartrid baterai dilepas sebelum menyatel atau memeriksa kerja mesin.

Memasang atau melepas baterai

⚠PERHATIAN: Selalu matikan mesin sebelum memasang atau melepas kartrid baterai.

⚠PERHATIAN: Pegang mesin dan kartrid baterai kuat-kuat saat memasang atau melepas kartrid baterai. Kelalaian untuk memegang mesin dan kartrid baterai kuat-kuat bisa menyebabkan keduanya tergelincir dari tangan Anda dan mengakibatkan kerusakan pada mesin dan kartrid baterai dan cedera diri.

- **Gbr.1:** 1. Indikator berwarna merah 2. Tombol 3. Kartrid baterai

Untuk melepas kartrid baterai, geser dari mesin sambil menggeser tombol pada bagian depan kartrid.

Untuk memasang kartrid baterai, sejajarkan lidah kartrid baterai dengan alur pada rumah dan masukkan ke dalam tempatnya. Masukkan seluruhnya sampai terkunci pada tempatnya dan terdengar bunyi klik kecil. Jika Anda bisa melihat indikator berwarna merah pada sisi atas tombol, berarti tidak terkunci sepenuhnya.

⚠️PERHATIAN: Selalu pasang kartrid baterai sepenuhnya sampai indikator berwarna merah tidak terlihat. Jika tidak, bisa terlepas dari mesin secara tidak sengaja, menyebabkan luka pada Anda atau orang di sekitar Anda.

⚠️PERHATIAN: Jangan memasang kartrid baterai secara paksa. Jika kartrid tidak bergeser dengan mudah, berarti tidak dimasukkan dengan benar.

Mengindikasikan kapasitas baterai yang tersisa

Hanya untuk kartrid baterai dengan indikator

► **Gbr.2:** 1. Lampu indikator 2. Tombol pemeriksaan

Tekan tombol pemeriksaan pada kartrid baterai untuk melihat kapasitas baterai yang tersisa. Lampu indikator menyala selama beberapa detik.

Lampu indikator		Kapasitas yang tersisa
Menyala	Mati	
		75% hingga 100%
		50% hingga 75%
		25% hingga 50%
		0% hingga 25%

CATATAN: Tergantung kondisi penggunaan dan suhu lingkungannya, penunjukkan mungkin saja sedikit berbeda dari kapasitas sebenarnya.

Sistem perlindungan mesin / baterai

Mesin ini dilengkapi dengan sistem perlindungan mesin/baterai. Sistem ini memutuskan daya ke motor secara otomatis untuk memperpanjang umur pakai mesin dan baterai. Mesin akan berhenti secara otomatis saat dioperasikan jika mesin atau baterai mengalami salah satu dari kondisi-kondisi berikut ini:

Perlindungan kelebihan beban

Jika mesin atau baterai digunakan sedemikian rupa sehingga mesin menarik arus terlalu tinggi, mesin akan berhenti secara otomatis tanpa peringatan sebelumnya. Dalam situasi ini, matikan mesin dan hentikan pekerjaan yang menyebabkan mesin mengalami kelebihan beban. Kemudian, nyalakan mesin untuk kembali melanjutkan pekerjaan.

Perlindungan panas berlebih

Saat mesin atau baterai terlalu panas, mesin akan berhenti secara otomatis. Pada keadaan ini, tunggu hingga mesin dan baterai mendingin sebelum dinyalakan kembali.

Perlindungan pengisian daya berlebih

Ketika kapasitas baterai tidak cukup, mesin akan berhenti secara otomatis. Dalam kondisi ini, lepaskan baterai dari mesin dan isi ulang baterai.

Kerja sakelar

⚠️PERHATIAN: Sebelum memasukkan kartrid baterai pada mesin, pastikan picu saklar berfungsi dengan baik dan kembali ke posisi "OFF" saat dilepas.

⚠️PERHATIAN: Saklar bisa dikunci dalam posisi "ON" untuk memberi kenyamanan pada operator selama penggunaan terus-menerus. Selalu berhati-hati ketika mengunci mesin dalam posisi "ON" dan pegang mesin kuat-kuat.

⚠️PERHATIAN: Jangan memasang kartrid baterai dengan tombol kunci terpasang.

⚠️PERHATIAN: Saat mesin tidak dioperasikan, tekan tombol pengunci pelatuk dari sisi untuk mengunci pelatuk sakelar di posisi MATI.

Untuk mencegah pelatuk sakelar tertarik secara tidak sengaja, tersedia tombol pengunci pelatuk. Untuk menjalankan mesin, tekan tombol pengunci pelatuk dari sisi A () dan tarik pelatuk sakelar. Kecepatan mesin meningkat dengan menambah tekanan pada pelatuk sakelar. Lepaskan pelatuk sakelar untuk berhenti. Setelah selesai digunakan, tekan tombol pengunci pelatuk dari sisi B (.

► **Gbr.3:** 1. Tombol pengunci pelatuk

Untuk pengoperasian terus-menerus, tekan tombol kunci sambil menarik pelatuk sakelar, lalu lepaskan pelatuk sakelar. Untuk menghentikan mesin, tarik pelatuk sakelar sampai penuh, kemudian lepaskan.

► **Gbr.4:** 1. Pelatuk sakelar 2. Tombol kunci 3. Tombol pengunci pelatuk

Tuas pengubah kecepatan

⚠️PERHATIAN: Selalu posisikan tuas pengubah kecepatan sepenuhnya pada posisi yang tepat. Jika anda menggunakan mesin dengan tuas pengubah kecepatan berada di posisi tengah antara sisi "1" dan sisi "2", mesin bisa rusak.

⚠️PERHATIAN: Jangan menggunakan tuas pengubah kecepatan ketika mesin sedang bekerja. Mesin bisa rusak.

⚠️PERHATIAN: Jika mesin dijalankan secara terus-menerus dengan kecepatan rendah dalam waktu yang lama, motor akan mengalami kelebihan beban dan mengakibatkan kerusakan mesin.

Untuk mengubah kecepatan, matikan mesin terlebih dahulu. Tekan tuas pengubah kecepatan ke angka "2" untuk kecepatan tinggi atau "1" untuk kecepatan rendah. Pastikan bahwa tuas pengubah kecepatan diatur pada posisi yang tepat sebelum penggunaan. Gunakan kecepatan yang tepat untuk pekerjaan Anda.

► **Gbr.5:** 1. Tuas pengubah kecepatan

Angka yang ditampilkan	Simbol	Kecepatan	Pengoperasian yang dapat diterapkan
2		Tinggi	Penggunaan ampelas
1		Rendah	Pekerjaan pemolesan

Fungsi pencegah penyalan ulang secara tidak sengaja

Jika Anda memasang kartrid baterai sementara menarik pelatuk sakelar atau mengunci pelatuk sakelar, mesin tidak berjalan. Untuk menjalankan mesin, lepaskan pelatuk sakelar, lalu tarik pelatuk sakelar.

PERAKITAN

⚠PERHATIAN: Selalu pastikan bahwa mesin dimatikan dan kartrid baterai dilepas sebelum melakukan pekerjaan apa pun pada mesin.

Memasang gagang sisi

⚠PERHATIAN: Kencangkan tutup atau gagang sisi dengan kuat. Jika tidak, penutup depan dapat jatuh dan menyebabkan cedera.

Lepas tutup, kemudian pasang gagang sisi pada mesin menggunakan sekrup dengan kuat. Gagang sisi dapat dipasang pada salah satu sisi mesin.

► **Gbr.6:** 1. Tutup 2. Gagang sisi

Memasang bantalan belakang

⚠PERHATIAN: Pastikan bantalan belakang terpasang dengan benar. Perangkat tambahan yang longgar akan kehilangan keseimbangan dan menimbulkan getaran berlebihan yang dapat menyebabkan hilang kendali.

⚠PERHATIAN: Jangan gerakkan kunci poros ketika spindel sedang bergerak. Mesin mungkin saja rusak.

CATATAN: Bersihkan aksesoris dan spindel secara teratur untuk menghilangkan debu dan kotoran. Bersihkan komponen hingga bersih dengan kain yang dibasahi air sabun jika perlu.

Sistem kait-dan-loop

Tekan kunci poros untuk mencegah putaran spindel, dan ulirkan bantalan belakang ke dalam spindel. Kencangkan dengan kuat dengan tangan.

► **Gbr.7:** 1. Kunci poros 2. Spindel 3. Bantalan belakang

Untuk melepas bantalan belakang, ikuti urutan terbalik dari prosedur pemasangan.

Sistem twist-on/twist-off

Pasang bantalan belakang ke adaptor menggunakan sekrup. Kemudian ulirkan ujung adaptor yang lain ke dalam spindel sambil menekan kunci poros. Kencangkan dengan kuat dengan tangan.

► **Gbr.8:** 1. Bantalan belakang 2. Adaptor 3. Kunci poros 4. Spindel

Untuk melepas bantalan belakang, ikuti urutan terbalik dari prosedur pemasangan.

Memasang atau melepas bantalan pemolesan

⚠PERHATIAN: Hanya gunakan bantalan dengan sistem kait-dan-loop untuk memoles.

⚠PERHATIAN: Pastikan bantalan serta bantalan belakang sejajar dan terpasang dengan kuat. Bila tidak, bantalan akan menyebabkan getaran berlebihan yang dapat menyebabkan hilangnya kendali atau dapat menyebabkan bantalan terlempar dari mesin.

Bersihkan semua kotoran serta benda asing dari sistem kait-dan-loop bantalan serta bantalan belakang. Pasang bantalan pada bantalan belakang sehingga kedua ujungnya sejajar.

Untuk melepas bantalan dari bantalan belakang, cukup cabut dari bagian tepinya.

► **Gbr.9:** 1. Bantalan 2. Bantalan belakang

Memasang cakram abrasif

Aksesori pilihan

⚠PERHATIAN: Hanya gunakan cakram twist-on/twist-off untuk mengampelas.

Pemilihan cakram

⚠PERHATIAN: Diameter luar aksesoris harus berada dalam nilai kapasitas mesin listrik.

⚠PERHATIAN: Kecepatan terukur aksesoris harus sama dengan atau lebih tinggi dari kecepatan maksimum yang tertera pada mesin listrik.

Selalu gunakan roda berukuran tepat yang terbuat dari bahan abrasif yang sesuai dengan ukuran grit yang tepat untuk pekerjaan Anda.

Bahan cakram abrasif

Bahan abrasif	Fitur dasar	Penerapan praktis
Aluminium Oksida	Terbaik untuk baja, baja tahan karat dan logam. Bahan abrasif kristal tunggal dengan keuletan dan daya tahan tinggi.	Pengampelasan cepat Sebagian besar pekerjaan logam
Alumina Zirkonium	Terbaik untuk INOX dan logam. Sangat tajam dan bahan abrasif keras dengan daya tahan tinggi.	Membersihkan cat pada mobil dan kapal, dll.
Keramik	Terbaik untuk INOX, logam dan bahan selain besi. Sangat tajam dan resistan tinggi terhadap guncangan/panas/aus.	Pekerjaan logam umum

Ukuran grit

Grit	Penerapan praktis
24/36 (kuarsa)	Penghilangan stok berat
60/80	Penghilangan stok sedang
120 (halus)	Penyelesaian

Memasang dan melepas cakram abrasif

⚠️PERHATIAN: Pastikan bantalan belakang terpasang dengan benar. Perangkat tambahan yang longgar akan kehilangan keseimbangan dan menimbulkan getaran berlebihan yang dapat menyebabkan hilang kendali.

Buang semua kotoran dan benda asing dari bantalan belakang. Uliarkan cakram abrasif ke bantalan belakang sambil menekan kunci poros. Kencangkan dengan kuat dengan tangan.

Untuk melepas cakram dari bantalan belakang, ikuti urutan terbaik dari prosedur pemasangan.

► **Gbr.10:** 1. Cakram abrasif 2. Bantalan belakang

PENGUNAAN

⚠️PERHATIAN: Hanya gunakan bantalan asli Makita untuk memoles.

⚠️PERHATIAN: Hanya gunakan cakram abrasif asli Makita untuk pengampelasan (aksesori pilihan).

⚠️PERHATIAN: Pastikan benda kerja dikencangkan dan dalam posisi yang stabil. Benda yang terjatuh dapat menyebabkan cedera diri.

⚠️PERHATIAN: Pegang mesin kuat-kuat dengan satu tangan pada pegangan sakelar dan tangan yang lain pada gagang sisi ketika menjalankan mesin.

⚠️PERHATIAN: Jangan nyalakan mesin pada beban tinggi terlalu lama. Hal tersebut dapat mengakibatkan kerusakan fungsi mesin yang mengakibatkan sengatan listrik, kebakaran, dan/atau cedera serius.

⚠️PERHATIAN: Jangan menyentuh bagian yang berputar.

⚠️PERHATIAN: Sebelum mengoperasikan mesin, pastikan gagang sisi atau tutup tidak kendur. Jika gagang sisi atau tutup kendur, penutup depan dapat jatuh dan menyebabkan cedera.

⚠️PEMBERITAHUAN: Jangan sekali-kali menekan mesin. Tekanan yang berlebihan dapat menyebabkan efisiensi pemolesan menurun, kerusakan pada bantalan, atau pemendekan umur mesin.

⚠️PEMBERITAHUAN: Penggunaan terus-menerus pada kecepatan tinggi dapat merusak permukaan kerja.

Pengoperasian umum

► Gbr.11

1. Pastikan bahwa benda kerja ditopang dengan tepat dan kedua tangan bebas untuk mengontrol mesin.
2. Pegang mesin kuat-kuat dengan satu tangan pada pegangan sakelar dan tangan yang lain pada gagang sisi.
3. Nyalakan mesin, biarkan roda mencapai kecepatan penuh, dan kemudian secara perlahan masuk ke pengoperasian yang menggerakkan mesin ke depan di atas permukaan benda kerja.
4. Jika sudah selesai, matikan mesin dan tunggu hingga roda benar-benar berhenti sebelum meletakkan mesin kembali.

Pekerjaan pemolesan

► Gbr.12

1. Perlakuan permukaan

Gunakan bantalan wol untuk pengerjaan akhir kasar lalu gunakan bantalan spons untuk pengerjaan akhir halus.

2. Memberi bahan poles

Gunakan bantalan spons. Beri bahan poles pada bantalan spons atau permukaan kerja. Jalankan mesin pada kecepatan rendah untuk meratakan bahan poles.

⚠PERHATIAN: Jangan berikan bahan poles atau agen poles terlalu banyak. Hal tersebut dapat menyebabkan debu yang menempel semakin banyak dan dapat menyebabkan penyakit mata atau saluran pernapasan.

CATATAN: Pertama-tama, lakukan pengujian pemberian bahan poles pada bagian permukaan kerja yang tidak menarik perhatian. Pastikan mesin tidak akan menggores permukaan atau mengakibatkan polesan yang tidak rata.

3. Membuang bahan poles

Gunakan bantalan spons. Jalankan mesin untuk membuang sisa-sisa bahan poles.

4. Pemolesan

Pasang bantalan spons secara perlahan pada permukaan kerja.

Penggunaan ampelas

⚠PERHATIAN: Jangan sekali-kali menyalakan mesin saat menyentuh benda kerja, hal tersebut bisa menyebabkan luka pada operator.

⚠PERHATIAN: Jangan sekali-kali menyalakan mesin tanpa cakram abrasif. Anda dapat merusak bantalan dengan serius.

⚠PERHATIAN: Selalu gunakan kaca mata pelindung atau pelindung muka selama pengoperasian.

⚠PERHATIAN: Setelah pengoperasian, selalu matikan mesin dan tunggu sampai cakram benar-benar berhenti sebelum meletakkan mesin kembali.

► Gbr.13

SELALU pegang mesin kuat-kuat dengan satu tangan pada pegangan belakang dan tangan lainnya pada sisi pegangan. Hidupkan mesin, kemudian tekan cakram abrasif pada benda kerja.

Secara umum, pertahankan cakram abrasif pada sudut sekitar 15 derajat terhadap permukaan benda kerja. Beri sedikit tekanan saja. Tekanan yang berlebihan akan mengakibatkan menurunnya kinerja dan terjadinya keausan dini pada cakram abrasif.

PERAWATAN

⚠PERHATIAN: Selalu pastikan bahwa mesin dimatikan dan kartrid baterai dilepas sebelum melakukan pemeriksaan atau perawatan.

PEMBERITAHUAN: Jangan sekali-kali menggunakan bensin, tiner, alkohol, atau bahan sejenisnya. Penggunaan bahan demikian dapat menyebabkan perubahan warna, perubahan bentuk atau timbulnya retakan.

Untuk menjaga KEAMANAN dan KEANDALAN mesin, perbaikan, perawatan atau penyetulan lainnya harus dilakukan oleh Pusat Layanan Resmi atau Pabrik Makita; selalu gunakan suku cadang pengganti buatan Makita.

Membersihkan penutup debu

► Gbr.14: 1. Penutup debu

Bersihkan penutup debu pada ventilasi penyerapan secara teratur agar sirkulasi udara lancar. Lepaskan penutup debu lalu bersihkan lubang tersebut.

AKSESORI PILIHAN



⚠PERHATIAN: Dianjurkan untuk menggunakan aksesoris atau perangkat tambahan ini dengan mesin Makita Anda yang ditentukan dalam petunjuk ini. Penggunaan aksesoris atau perangkat tambahan lain bisa menyebabkan risiko cedera pada manusia. Hanya gunakan aksesoris atau perangkat tambahan sesuai dengan peruntukannya.

Jika Anda memerlukan bantuan lebih rinci berkenaan dengan aksesoris ini, tanyakan pada Pusat Layanan Makita terdekat.

- Bantalan wol
- Bantalan spons (kuning)
- Bantalan spons (putih)
- Bantalan ajaib
- Bantalan twist-on/twist-off
- Baterai dan pengisi daya asli buatan Makita

CATATAN: Beberapa item dalam daftar tersebut mungkin sudah termasuk dalam paket mesin sebagai aksesoris standar. Hal tersebut dapat berbeda dari satu negara ke negara lainnya.

SPEKIFIKASI

Model:		PV301D
Kapasiti maksimum	Pad kain berbulu	80 mm
	Pad span	80 mm
	Cakera pengamplasan	50 mm
Diameter pad penyokong	Untuk pengamplasan	46 mm
	Untuk penggilapan	75 mm
Kelajuan terkadar (n) / Kelajuan tanpa beban (n ₀)	Tinggi (2 ): mod pengamplasan	0 - 9,500 min ⁻¹
	Rendah (1 ): mod penggilapan	0 - 2,800 min ⁻¹
Panjang keseluruhan		139 mm *1
Voltan terkadar		D.C. 10.8 V - 12 V maks
Berat bersih		1.1 - 1.2 kg

*1. Dengan kartrij bateri (BL1041B).

- Disebabkan program penyelidikan dan pembangunan kami yang berterusan, spesifikasi yang terkandung di dalam ini adalah tertakluk kepada perubahan tanpa notis.
- Spesifikasi dan kartrij bateri mungkin berbeza mengikut negara.
- Berat mungkin berbeza bergantung kepada pemasangan, termasuk kartrij bateri. Kombinasi paling ringan dan paling berat, mengikut Prosedur EPTA 01/2014, ditunjukkan di dalam jadual.

Kartrij bateri dan pengecas yang boleh digunakan

Kartrij bateri	BL1016 / BL1021B / BL1041B
Pengecas	DC10SA / DC10SB / DC10WC / DC10WD / DC18RE

- Sesetengah kartrij bateri dan pengecas yang disenaraikan di atas mungkin tidak tersedia bergantung pada kawasan kediaman anda.

⚠️ AMARAN: Gunakan hanya kartrij bateri dan pengecas yang disenaraikan di atas. Penggunaan mana-mana kartrij bateri dan pengecas yang lain mungkin menyebabkan kecederaan dan/atau kebakaran.

Simbol

Berikut menunjukkan simbol-simbol yang boleh digunakan untuk alat ini. Pastikan anda memahami maksudnya sebelum menggunakan.



Baca manual arahan.



Pakai cermin mata keselamatan.



Hanya untuk negara-negara EU
Jangan lupuskan peralatan elektrik atau pek bateri bersama-sama bahan sisa rumah!
Dalam mematuhi Arahan-Arahan Eropah mengenai Sisa Peralatan Elektrik dan Elektronik dan Bateri dan Akumulator dan Sisa Bateri dan Akumulator serta pelaksanaan mereka mengikut undang-undang negara, peralatan elektrik dan bateri dan pek-pek bateri yang telah mencapai akhir hayatnya mesti dikumpul secara berasingan dan dikembalikan ke kemudahan kitar semula yang bersesuaian dengan alam sekitar.

Tujuan penggunaan

Alat ini bertujuan untuk penggilapan, pelicinan sebelum mengecat, pengemasan permukaan dan menghilangkan karat dan cat.

AMARAN KESELAMATAN

Amaran keselamatan umum alat kuasa

⚠️ AMARAN: Baca semua amaran keselamatan, arahan, ilustrasi dan spesifikasi yang disediakan dengan alat kuasa ini. Kegagalan mengikut amaran dan arahan boleh menyebabkan kejutan elektrik, kebakaran dan/atau kecederaan serius.

Simpan semua amaran dan arahan untuk rujukan masa depan.

Istilah "alat kuasa" dalam amaran merujuk kepada alat kuasa yang menggunakan tenaga elektrik (kabel) atau alat kuasa yang menggunakan bateri (tanpa kord).

Keselamatan kawasan kerja

1. **Pastikan kawasan kerja bersih dan terang.** Kawasan berselerak atau gelap mengundang kemalangan.
2. **Jangan kendalikan alat kuasa dalam keadaan yang mudah meletup, seperti dalam kehadiran cecair, gas atau habuk yang mudah terbakar.** Alat kuasa menghasilkan percikan api yang boleh menyalakan debu atau wasap.
3. **Jauhkan kanak-kanak dan orang ramai semasa mengendalikan alat kuasa.** Gangguan boleh menyebabkan anda hilang kawalan.

Keselamatan elektrik

1. **Palam alat kuasa mesti sepadan dengan soket.** Jangan ubah suai palam dalam apa cara sekalipun. Jangan gunakan sebarang palam penyesuai dengan alat kuasa terbumi. Palam yang tidak diubah suai dan soket yang sepadan akan mengurangkan risiko kejutan elektrik.
2. **Elakkan sentuhan badan dengan permukaan terbumi, seperti paip, radiator, dapur dan peti sejuk.** Terdapat peningkatan risiko kejutan elektrik jika elektrik terbumi terkena badan anda.
3. **Jangan biarkan alat kuasa terkena hujan atau basah.** Air yang memasuki alat kuasa akan meningkatkan risiko kejutan elektrik.
4. **Jangan salah gunakan kord.** Jangan gunakan kord untuk membawa, menarik atau mencabut palam alat kuasa. Jauhkan kord dari haba, minyak, bucu tajam atau bahagian yang bergerak. Kord yang rosak atau tersimpul meningkatkan risiko kejutan elektrik.
5. **Semasa mengendalikan alat kuasa di luar, gunakan kord sambungan yang bersesuaian untuk kegunaan luar.** Penggunaan kord yang sesuai untuk kegunaan luar mengurangkan risiko kejutan elektrik.
6. **Sekiranya pengendalian alat kuasa di lokasi lembap tidak dapat dielakkan, gunakan bekalan peranti arus sisa (RCD) yang dilindungi.** Penggunaan RCD mengurangkan risiko kejutan elektrik.

7. **Alat kuasa boleh menghasilkan medan elektromagnetik (EMF) yang tidak berbahaya kepada pengguna.** Walau bagaimanapun, pengguna perentak jantung atau peranti perubatan yang serupa harus menghubungi pembuat peranti mereka dan/atau doktor untuk nasihat sebelum mengendalikan alat kuasa ini.

Keselamatan diri

1. **Sentiasa berwaspada, perhatikan apa yang anda lakukan dan guna akal budi semasa mengendalikan alat kuasa. Jangan gunakan alat kuasa semasa anda letih atau di bawah pengaruh dadah, alkohol atau ubat.** Kelekaan seketika semasa mengendalikan alat kuasa boleh menyebabkan kecederaan diri yang serius.
2. **Gunakan peralatan pelindung diri. Sentiasa pakai pelindung mata.** Peralatan pelindung seperti topeng debu, kasut keselamatan tak mudah tergelincir, topi keselamatan atau pelindung pendengaran yang digunakan untuk keadaan yang sesuai akan mengurangkan kecederaan diri.
3. **Elakkan permulaan yang tidak disengajakan. Pastikan suis ditutup sebelum menyambung kepada sumber kuasa dan/atau pek bateri, semasa mengangkat atau membawa alat.** Membawa alat kuasa dengan jari anda pada suis atau menahan alat kuasa dengan suis pada kedudukan hidup mengundang kemalangan.
4. **Alihkan sebarang kunci atau sepana pelaras sebelum menghidupkan alat kuasa.** Sepana atau kunci yang ditinggalkan pada bahagian berputar alat kuasa boleh menyebabkan kecederaan diri.
5. **Jangan lampau jangkau. Jaga pijakan dan keseimbangan yang betul pada setiap masa.** Ini membolehkan kawalan alat kuasa yang lebih baik dalam situasi yang tidak dijangka.
6. **Berpakaian dengan betul. Jangan pakai pakaian yang longgar atau barang kemas. Jauhkan rambut dan pakaian anda dari bahagian yang bergerak.** Pakaian longgar, barang kemas atau rambut yang panjang boleh terperangkap dalam bahagian yang bergerak.
7. **Jika peranti disediakan untuk sambungan kemudahan pengekstrakan dan pengumpulan habuk, pastikan ia disambung dan digunakan dengan betul.** Penggunaan pengumpulan habuk boleh mengurangkan bahaya berkaitan habuk.
8. **Jangan biarkan kebiasaan daripada kekerapan penggunaan alat membuatkan anda berpuas hati dan mengabaikan prinsip keselamatan alat.** Keceuaian boleh menyebabkan kecederaan serius dalam sekelip mata.
9. **Sentiasa pakai gogal pelindung untuk melindungi mata anda daripada kecederaan apabila menggunakan alat kuasa.** Gogal mestilah mematuhi ANSI Z87.1 di AS, EN 166 di Eropah, atau AS/NZS 1336 di Australia/New Zealand. Di Australia/New Zealand, undang-undang mengarahkan untuk memakai pelindung muka bagi melindungi muka anda, juga.



Menjadi tanggungjawab majikan untuk menguatkuasa penggunaan peralatan perlindungan keselamatan yang bersesuaian oleh pengendali alat dan oleh orang lain dalam kawasan bekerja semasa.

Penggunaan dan penjagaan alat kuasa

1. **Jangan gunakan alat kuasa dengan kasar. Gunakan alat kuasa yang betul untuk penggunaan anda.** Alat kuasa yang betul akan melakukan tugas dengan lebih baik dan lebih selamat pada kadar mana ia direka cipta.
2. **Jangan gunakan alat kuasa jika suis tidak berfungsi untuk menghidupkan dan mematikannya.** Alat kuasa yang tidak dapat dikawal dengan suis adalah berbahaya dan mesti dibaiki.
3. **Cabut palam dari sumber kuasa dan/atau keluarkan pek bateri, jika boleh ditanggalkan, dari alat kuasa sebelum membuat sebarang pelarasan, menukar aksesori, atau menyimpan alat kuasa.** Langkah-langkah keselamatan pencegahan sedemikian mengurangkan risiko memulakan alat kuasa secara tidak sengaja.
4. **Simpan alat kuasa yang tidak digunakan jauh dari jangkauan kanak-kanak dan jangan biarkan orang yang tidak biasa dengan alat kuasa atau arahan ini untuk mengendalikan alat kuasa.** Alat kuasa adalah berbahaya di tangan pengguna yang tidak terlatih.
5. **Menyelenggara alat kuasa dan aksesori. Periksa salah jajaran atau ikatan pada bahagian yang bergerak, bahagian yang pecah dan apa-apa keadaan lain yang boleh menjejaskan operasi alat kuasa. Jika rosak,baiki alat kuasa sebelum digunakan.** Kebanyakan kemalangan adalah disebabkan oleh alat kuasa yang tidak dijaga dengan baik.
6. **Pastikan alat pemotong tajam dan bersih.** Alat pemotong yang dijaga dengan betul dengan hujung pemotong yang tajam mempunyai kemungkinan yang rendah untuk terikat dan lebih mudah dikendalikan.
7. **Gunakan alat kuasa, aksesori dan alat bit dan sebagainya mengikut arahan ini dengan mengambil kira keadaan kerja dan kerja yang perlu dilakukan.** Penggunaan alat kuasa untuk operasi yang berbeza dari yang dimaksudkan boleh menyebabkan keadaan berbahaya.

8. **Pastikan pemegang dan permukaan pegangan kering, bersih dan bebas dari minyak dan gris.** Pemegang dan permukaan pegangan yang licin tidak membolehkan pengendalian dan kawalan selamat bagi alat dalam situasi yang tidak dijangka.
9. **Apabila menggunakan alat, jangan pakai sarung tangan kerja kain yang mungkin boleh kusut.** Kekusutan sarung tangan kerja kain pada bahagian yang bergerak boleh menyebabkan kecederaan diri.

Penggunaan dan penjagaan alat bateri

1. **Cas semula dengan pengecas yang ditentukan oleh pengeluar sahaja.** Pengecas yang sesuai untuk satu jenis pek bateri mungkin menimbulkan risiko kebakaran apabila digunakan dengan pek bateri lain.
2. **Gunakan alat kuasa dengan pek bateri yang ditentukan secara khusus sahaja.** Penggunaan mana-mana pek bateri lain mungkin menimbulkan risiko kecederaan dan kebakaran.
3. **Apabila pek bateri tidak digunakan, jauhkannya daripada objek besi lain, seperti klip kertas, duit syiling, paku, skru atau objek besi kecil lain, yang boleh membuat sambungan dari satu terminal ke yang lain.** Memintas terminal bateri bersama-sama mungkin menyebabkan letupan atau kebakaran.
4. **Di bawah keadaan kasar, cecair mungkin dikeluarkan daripada bateri; elakkan sentuhan. Jika tersentuh secara tidak sengaja, siram dengan air. Jika cecair terkena mata, dapatkan bantuan perubatan di samping siraman air.** Cecair yang dikeluarkan dari bateri mungkin menyebabkan kegatalan atau letupan.
5. **Jangan gunakan pek bateri atau alat yang rosak atau diubah suai.** Bateri yang rosak atau diubah suai mungkin menunjukkan perilaku yang tidak dijangka menyebabkan kebakaran, letupan atau risiko kecederaan.
6. **Jangan dedahkan pek bateri atau alat kepada api atau suhu yang berlebihan.** Pendedahan kepada api atau suhu melebihi 130 °C mungkin menyebabkan letupan.
7. **Ikut semua arahan pengecasan dan jangan cas pek bateri atau alat di luar julat suhu yang ditetapkan dalam arahan.** Mengecas dengan tidak betul atau pada suhu di luar julat yang dinyatakan mungkin merosakkan bateri dan meningkatkan risiko kebakaran.

Servis

1. **Pastikan alat kuasa anda diservis oleh orang yang berkelayakan dengan hanya menggunakan alat ganti yang sama.** Ini akan memastikan keselamatan alat kuasa dapat dikekalkan.
2. **Jangan servis pek bateri yang telah rosak.** Servis pek bateri hanya boleh dilakukan oleh pengeluar atau penyedia servis yang sah.
3. **Ikut arahan untuk melincir dan menukar aksesori.**

Amaran keselamatan penggilap pelepas tanpa kord

Amaran Keselamatan Biasa untuk Operasi Pengamplasan atau Penggilapan:

- 1. Alat kuasa ini bertujuan untuk berfungsi sebagai pelepas atau penggilap. Baca semua amaran keselamatan, arahan, ilustrasi dan spesifikasi yang disediakan dengan alat kuasa ini.** Kegagalan mengikuti semua arahan yang disenaraikan di bawah boleh menyebabkan kejutan elektrik, kebakaran dan/atau kecederaan serius.
- 2. Operasi seperti pengisaran, pemberusan wayar atau pemetongan tidak disyorkan untuk dilakukan dengan alat kuasa ini.** Operasi yang tidak direka bentuk untuk alat kuasa ini boleh menyebabkan bahaya dan kecederaan diri.
- 3. Jangan gunakan aksesori yang tidak direka secara khusus dan disyorkan oleh pengilang alat.** Hanya kerana aksesori boleh dipasang pada alat kuasa anda, itu tidak menjamin operasi yang selamat.
- 4. Kelajuan kadaran aksesori mesti sekurang-kurangnya sama seperti kelajuan maksimum yang ditandakan pada alat kuasa.** Aksesori yang beroperasi lebih laju daripada kelajuan kadarannya boleh pecah dan berkecai.
- 5. Diameter luar dan ketebalan aksesori anda mesti dalam perkadaran kapasiti alat kuasa anda.** Aksesori dengan saiz yang tidak betul tidak boleh dijaga atau dikawal dengan secukupnya.
- 6. Pelekapan aksesori yang berulir mesti sepadan dengan ulir spindel alat. Untuk aksesori yang dilekapkan dengan bebibir, lubang arbor aksesori mesti sesuai dengan diameter penempat bebibir.** Aksesori yang tidak sepadan dengan perkakasan pelekapan alat kuasa akan tidak seimbang, bergetar secara berlebihan dan boleh menyebabkan hilang kawalan.
- 7. Jangan gunakan aksesori yang rosak. Sebelum setiap penggunaan, periksa aksesori seperti pad penyokong untuk retak, lusuh atau haus berlebihan. Jika alat kuasa atau aksesori terjatuh, periksa untuk mengesan kerosakan atau pasang aksesori yang tidak rosak.** Selepas pemeriksaan dan pemasangan aksesori, jauhkan diri anda dan orang ramai daripada satah aksesori yang berputar dan jalankan alat kuasa pada kelajuan tanpa beban maksimum selama seminit. Aksesori yang rosak biasanya akan pecah berderai sepanjang tempoh ujian ini.
- 8. Pakai peralatan pelindung diri. Bergantung kepada penggunaan, gunakan pelindung muka, gogal keselamatan atau cermin mata keselamatan. Sebagaimana yang sesuai, pakai topeng habuk, pelindung pendengaran, sarung tangan dan apron bengkel yang mampu menghalang serpihan pelepas atau bahan kerja yang kecil.** Pengadang mata mesti mampu menghalang serpihan yang terbang yang dihasilkan oleh pelbagai operasi. Topeng habuk atau alat pernafasan mesti mampu menapis zarah yang dihasilkan oleh operasi anda. Pendedahan yang berlanjutan kepada hingar dengan keamatan yang tinggi boleh menyebabkan hilang pendengaran.
- 9. Pastikan orang ramai berada pada jarak yang selamat dari kawasan kerja. Sesiapa sahaja yang memasuki kawasan kerja mesti memakai peralatan pelindung diri.** Serpihan bahan kerja atau aksesori yang pecah mungkin berterbangan dan menyebabkan kecederaan di luar kawasan operasi terdekat.
- 10. Pegang alat kuasa dengan permukaan mencengkam terkuat sahaja apabila melakukan operasi di mana alat pemotong boleh tersentuh wayar tersembunyi.** Tersentuh wayar "hidup" mungkin juga menyebabkan bahagian logam terdedah alat kuasa "hidup" dan boleh memberi kejutan elektrik kepada pengendali.
- 11. Jangan sekali-kali meletakkan alat kuasa ke bawah sehingga aksesori telah berhenti sepenuhnya.** Aksesori yang berputar boleh menyambar permukaan dan menarik alat kuasa daripada kawalan anda.
- 12. Jangan jalankan alat kuasa ketika membawanya di sisi anda.** Sentuhan secara tidak sengaja dengan aksesori yang berputar boleh menyebabkan pakaian anda tersangkut dan menarik aksesori ke badan anda.
- 13. Bersihkan dengan kerap bolong udara alat kuasa.** Kipas motor akan mengeluarkan habuk di dalam perumah dan pengumpulan logam serbuk yang berlebihan boleh menyebabkan bahaya elektrik.
- 14. Jangan kendalikan alat kuasa berhampiran bahan mudah terbakar.** Percikan boleh menyalakan bahan ini.
- 15. Jangan gunakan aksesori yang memerlukan bahan pendingin cecair.** Penggunaan air atau bahan pendingin cecair yang lain boleh menyebabkan renjatan elektrik.

Tolak keluar dan Amaran Berkaitan

Tolak keluar ialah tindak balas tersepit tiba-tiba kepada roda berputar, pad penyokong, berus atau aksesori yang lain. Tersepit atau tersangkut menyebabkan kelajuan pegun dengan cepat pada aksesori putaran yang menyebabkan alat kuasa tidak dapat dikawal dipaksa ke arah bertentangan dengan putaran aksesori pada titik pengikat.

Sebagai contoh, jika roda pelepas tersangkut atau tersepit pada bahan kerja, bahagian tepi roda yang memasuki titik sepiatan boleh menekan dalam permukaan bahan menyebabkan roda ternaik atau terkeluar. Roda mungkin sama ada melantun ke arah atau jauh daripada pengendali, bergantung kepada arah pergerakan roda ketika aksesori tersepit. Roda pelepas mungkin juga pecah di bawah keadaan ini. Tolak keluar adalah akibat daripada penyalahgunaan alat kuasa dan/atau prosedur atau keadaan operasi yang tidak betul dan boleh dielakkan dengan mengambil langkah berjaga-jaga yang betul seperti yang diberikan di bawah.

1. **Kekalkan genggaman yang kukuh pada alat kuasa dan pastikan kedudukan badan dan lengan anda membolehkan anda menahan daya tolak keluar.** Sentiasa gunakan pemegang tambahan, jika disediakan, untuk kawalan maksimum terhadap tolak keluar atau tindak balas tork semasa permulaan. Pengendali boleh mengawal tindak balas tork atau daya tolak keluar, jika langkah berjaga-jaga yang betul diambil.
2. **Jangan sekali-kali meletakkan tangan anda dekat dengan aksesori yang berputar.** Aksesori mungkin ditolak keluar ke atas tangan anda.
3. **Jangan letakkan badan anda di kawasan di mana alat kuasa akan bergerak jika keadaan sikat berlaku.** Tolak keluar akan mendorong alat ke arah bertentangan kepada pergerakan roda ketika aksesori tersangkut.
4. **Menggunakan dengan lebih berhati-hati apabila bekerja di sudut, pinggir yang tajam dan sebagainya. Elakkan aksesori daripada melantun dan tersangkut.** Sudut, pinggir yang tajam atau melantun mempunyai kecenderungan untuk menyebabkan aksesori berputar tersangkut dan menyebabkan hilang kawalan atau tolak keluar.
5. **Jangan pasang bilah ukiran kayu gergaji rantai atau bilah gergaji bergigi.** Bilah seperti ini akan kerap menghasilkan tolak keluar dan hilang kawalan.

Amaran Keselamatan Khusus untuk Operasi Pemasiran:

1. **Jangan gunakan kertas cakera pemasiran yang terlalu besar secara berlebihan.** Ikut pengesyoran pengilang, apabila memilih kertas pemasiran. Kertas pemasiran lebih besar yang terkeluar daripada pad pemasiran akan mewujudkan bahaya melecet dan mungkin menyebabkan tersangkut dan mengoyakkan cakera atau tolak keluar.

Amaran Keselamatan Khusus untuk Operasi Penggilap:

1. **Jangan benarkan sebarang bahagian longgar bonet penggilap atau pemasangan talinya berpusing dengan bebas.** Sorok atau pangkas sebarang tali pemasangan yang longgar. Tali pemasangan yang longgar dan berpusing boleh membelit jari anda atau tersangkut pada bahan kerja.

Amaran Keselamatan Tambahan:

1. **Pastikan roda tidak menyentuh bahan kerja sebelum suis dihidupkan.**
2. **Sebelum menggunakan alat pada bahan kerja sebenar, biarlah ia beroperasi seketika.** Perhatikan getaran atau gangguan yang boleh menunjukkan pemasangan yang lemah atau roda yang sangat tidak seimbang.
3. **Gunakan permukaan roda tertentu untuk melakukan pengamplasan atau penggilapan.**
4. **Jangan tinggalkan alat yang sedang berjalan.** Kendalikan alat hanya apabila dipegang.
5. **Jangan sentuh bahan kerja dengan serta-merta selepas operasi; ia mungkin sangat panas dan boleh melecurkan kulit anda.**
6. **Jangan sentuh aksesori dengan serta-merta selepas operasi; ia mungkin sangat panas dan boleh melecurkan kulit anda.**
7. **Patuhi arahan pengilang untuk pelekapan dan penggunaan roda yang betul.** Kendalikan dan simpan roda dengan cermat.
8. **Pastikan bahawa bahan kerja disokong dengan betul.**
9. **Ambil perhatian bahawa roda akan terus berputar selepas alat dimatikan.**
10. **Jangan gunakan alat pada mana-mana bahan yang mengandungi asbestos.**
11. **Jangan guna sarung tangan kerja jenis kain semasa operasi.** Fiber daripada sarung tangan jenis kain mungkin termasuk ke dalam alat, yang menyebabkan alat pecah.

SIMPAN ARAHAN INI.

⚠️AMARAN: JANGAN biarkan keselesaan atau kebiasaan dengan produk (daripada penggunaan berulang) menggantikan pematuhan ketat terhadap peraturan keselamatan untuk produk yang ditetapkan. **SALAH GUNA** atau kegagalan mematuhi peraturan-peraturan keselamatan yang dinyatakan dalam manual arahan ini boleh menyebabkan kecederaan diri yang serius.

Arahan keselamatan penting untuk kartrij bateri

1. **Sebelum menggunakan kartrij bateri, baca semua arahan dan tanda amaran pada (1) pengecas bateri, (2) bateri, dan (3) produk menggunakan bateri.**
2. **Jangan buka atau cabut kartrij bateri.** Ia boleh mengakibatkan kebakaran, haba berlebihan, atau letupan.
3. **Jika masa operasi menjadi sangat pendek, berhenti operasi serta merta.** Ia mungkin menyebabkan risiko pemanasan lampau, melecet bahkan letupan.
4. **Jika elektrolit masuk ke dalam mata anda, bilas mata dengan air jernih dan dapatkan rawatan perubatan serta merta.** Ia mungkin menyebabkan kehilangan penglihatan.

5. **Jangan pintaskan kartrij bateri:**
 - (1) Jangan sentuh terminal dengan bahan berkonduksi.
 - (2) Elakkan menyimpan kartrij bateri dalam bekas bersama-sama objek besi lain seperti paku, duit syiling, dll.
 - (3) Jangan dedahkan kartrij bateri kepada air atau hujan.

Pintasan bateri boleh menyebabkan aliran kuasa yang besar, pemanasan lampau, melecun dan juga kerosakan.

6. **Jangan simpan dan gunakan alat dan kartrij bateri di lokasi yang suhunya mungkin mencapai atau melebihi 50 °C (122 °F).**
7. **Jangan bakar kartrij bateri walaupun jika ia rosak teruk atau haus sepenuhnya.** Kartrij bateri boleh meletup dalam kebakaran.
8. **Jangan paku, potong, pecahkan, buang, jatuhkan kartrij bateri, atau tekan objek keras pada kartrij bateri.** Perbuatan sedemikian boleh mengakibatkan kebakaran, haba berlebihan, atau letupan.
9. **Jangan gunakan bateri yang rosak.**
10. **Bateri litium ion yang terkandung adalah tertakluk kepada keperluan Perundangan Barangan Berbahaya.**
 Bagi pengangkutan komersial cth. oleh pihak ketiga, ejen penghantar, keperluan khas pada pembungkusan dan pelabelan mestilah diperhatikan.
 Bagi persediaan item yang dihantar, berunding dengan pakar bahan berbahaya adalah diperlukan. Sila juga perhatikan sebolehnya peraturan kebangsaan yang lebih terperinci. Lekatkan atau balut bahagian terbuka dan pek bateri supaya ia tidak bergerak dalam pembungkusan.
11. **Apabila melupuskan kartrij bateri, keluarkan ia daripada alat dan lupuskan ia di tempat selamat.** Ikut peraturan tempatan anda mengenai pelupusan bateri.
12. **Gunakan bateri hanya dengan produk yang ditentukan oleh Makita.** Memasang bateri kepada produk yang tidak patuh mungkin menyebabkan kebakaran, pemanasan lampau, atau kebocoran elektrolit.
13. **Jika alat tidak digunakan untuk tempoh masa yang lama, bateri mesti dikeluarkan daripada alat.**
14. **Semasa dan selepas penggunaan, kartrij bateri mungkin ada haba yang boleh menyebabkan terbakar atau suhu rendah terbakar.** Beri perhatian kepada pengendalian kartrij bateri yang panas.
15. **Jangan sentuh terminal alat itu selepas digunakan kerana ia mungkin panas** menyebabkan terbakar.
16. **Jangan biarkan cip, habuk, atau tanah terperangkap ke dalam terminal, lubang, dan alur kartrij bateri.** Ia mungkin menyebabkan prestasi atau pecahan yang buruk dari alat atau kartrij bateri.

17. **Melainkan alat ini menyokong penggunaan yang hampir dari talian kuasa elektrik voltan tinggi, jangan gunakan kartrij bateri berhampiran talian kuasa elektrik voltan tinggi.** Ia mungkin menyebabkan kerosakan atau pecah pada alat atau kartrij bateri.
18. **Jauhkan bateri daripada kanak-kanak.**

SIMPAN ARAHAN INI.

⚠PERHATIAN: Hanya gunakan bateri asli Makita. Penggunaan bateri tidak asli Makita, atau bateri yang telah diubah suai, mungkin menyebabkan bateri meletup menyebabkan kebakaran, kecederaan diri dan kerosakan. Ia juga membatalkan jaminan Makita untuk alat Makita dan pengecas.

Tip untuk mengekalkan hayat bateri maksimum

1. **Cas kartrij bateri sebelum ternyahcas sepenuhnya.** Sentiasa hentikan operasi alat dan cas kartrij bateri apabila anda menyedari kurang kuasa alat.
2. **Jangan cas semula kartrij bateri yang dicas sepenuhnya.** Terlebih cas memendekkan hayat servis bateri.
3. **Cas kartrij bateri dengan suhu bilik pada 10 °C - 40 °C (50 °F - 104 °F).** Biarkan kartrij bateri yang panas menyejuk sebelum mengecasnya.
4. **Apabila tidak menggunakan kartrij bateri, tanggalkannya dari alat atau pengecas.**

KETERANGAN FUNGSI

⚠PERHATIAN: Sentiasa pastikan alat dimatikan dan kartrij bateri dikeluarkan sebelum menyelaras atau menyemak fungsi pada alat.

Memasang atau mengeluarkan kartrij bateri

⚠PERHATIAN: Sentiasa matikan alat sebelum memasang atau mengeluarkan kartrij bateri.

⚠PERHATIAN: Pegang alat dan kartrij bateri dengan kukuh apabila memasang atau mengeluarkan kartrij bateri. Gagal untuk memegang alat dan kartrij bateri dengan kukuh mungkin menyebabkan mereka terlepas daripada tangan anda dan mengakibatkan kerosakan kepada alat dan kartrij bateri dan kecederaan peribadi.

- **Rajah1:** 1. Penunjuk merah 2. Butang 3. Kartrij bateri

Untuk mengeluarkan kartrij bateri, luncurkan ia daripada alat apabila meluncurkan butang di hadapan kartrij.

Untuk memasang kartrij bateri, selaraskan lidah pada kartrij bateri dengan alur pada perumah dan gelincirkan ia ke tempatnya. Masukkan ia sepenuhnya sehingga ia terkunci di tempatnya dengan klik kecil. Jika anda boleh melihat penunjuk merah di sisi atas butang, ia tidak dikunci sepenuhnya.

⚠️PERHATIAN: Sentiasa pasang kartrij bateri sepenuhnya sehingga penunjuk merah tidak boleh dilihat. Jika tidak, ia mungkin jatuh tanpa sengaja daripada alat, menyebabkan kecederaan kepada anda atau seseorang di sekeliling anda.

⚠️PERHATIAN: Jangan pasang kartrij bateri secara paksa. Jika kartrij tidak meluncur dengan mudah, ia tidak dimasukkan dengan betul.

Menunjukkan kapasiti bateri yang tinggal

Hanya untuk kartrij bateri dengan penunjuk

► **Rajah2:** 1. Lampu penunjuk 2. Butang semak

Tekan butang semak pada kartrij bateri untuk menunjukkan kapasiti bateri yang tinggal. Lampu penunjuk menyalakan untuk beberapa saat.

Lampu penunjuk		Kapasiti yang tinggal
Dinyalakan	Mati	
		75% hingga 100%
		50% hingga 75%
		25% hingga 50%
		0% hingga 25%

NOTA: Bergantung kepada keadaan penggunaan dan suhu persekitaran, penunjuk mungkin berbeza sedikit daripada kapasiti sebenar.

Sistem perlindungan alat / bateri

Alat dilengkapi dengan sistem perlindungan alat/bateri. Sistem ini memotong kuasa kepada motor secara automatik untuk memanjangkan hayat alat dan bateri. Alat akan berhenti secara automatik ketika operasi jika alat atau bateri diletakkan di bawah salah satu syarat yang berikut:

Perlindungan lebih beban

Apabila alat atau bateri beroperasi dengan cara yang menyebabkan ia menarik arus tinggi yang luar biasa, alat secara automatik berhenti tanpa sebarang penunjuk. Dalam situasi ini, matikan alat dan hentikan penggunaan yang menyebabkan alat menjadi terlebih beban. Kemudian hidupkan alat untuk mula semula.

Perlindungan pemanasan lampau

Apabila alat atau bateri terlalu panas, alat itu berhenti secara automatik. Dalam hal ini, biarkan alat dan bateri sejuk sebelum menghidupkan semula alat.

Perlindungan lebih nyahcas

Apabila kapasiti bateri tidak mencukupi, alat akan berhenti secara automatik. Dalam kes ini, keluarkan bateri daripada alat dan cas bateri.

Tindakan suis

⚠️PERHATIAN: Sebelum memasang kartrij bateri ke dalam alat, sentiasa periksa untuk melihat pemacu suis bergerak dengan betul dan kembali ke posisi "OFF" apabila dilepaskan.

⚠️PERHATIAN: Suis boleh dikunci dalam kedudukan "ON" untuk memudahkan keselesaan pengendali semasa penggunaan berpanjangan. Berhati-hati semasa mengunci alat dalam kedudukan "ON" dan kekalkan genggam yang kukuh pada alat.

⚠️PERHATIAN: Jangan pasang kartrij bateri dengan butang kunci terikat.

⚠️PERHATIAN: Apabila tidak mengendalikan alat ini, tekan butang kunci pemacu dari sisi untuk mengunci pemacu suis di kedudukan OFF.

Untuk mengelakkan pemacu suis daripada ditarik secara tidak sengaja, butang kunci pemacu disediakan. Untuk memulakan alat, tekan butang buka pemacu dari sisi A () dan tarik pemacu suis. Kelajuan alat ditingkatkan dengan menambah tekanan pada pemacu suis. Lepaskan pemacu suis untuk berhenti. Selepas digunakan, sentiasa tekan butang kunci pemacu dari sisi B ().

► **Rajah3:** 1. Butang kunci pemacu

Untuk operasi berterusan, tekan butang kunci sambil menarik pemacu suis dan kemudian lepaskan pemacu suis. Untuk menghentikan alat, tarik pemacu suis sepenuhnya, kemudian lepaskan.

► **Rajah4:** 1. Pemacu suis 2. Butang kunci 3. Butang kunci pemacu

Tuil perubahan kelajuan

⚠️PERHATIAN: Sentiasa tetapkan tuil perubahan kelajuan sepenuhnya ke kedudukan yang betul. Jika anda kendalikan alat dengan tuil perubahan kelajuan diletakkan separa di antara sisi "1" dan sisi "2", alat mungkin rosak.

⚠️PERHATIAN: Jangan gunakan tuil perubahan kelajuan ketika alat sedang berjalan. Alat mungkin rosak.

⚠️PERHATIAN: Jika alat ini dikendalikan secara berterusan pada kelajuan yang rendah untuk masa yang lama, motor akan menjadi lebih beban, mengakibatkan kerosakan alat.

Untuk menukar kelajuan, matikan alat dahulu. Tolak tuil perubahan kelajuan untuk memaparkan “2” bagi kelajuan tinggi atau “1” bagi kelajuan rendah. Pastikan tuil perubahan kelajuan ditetapkan kepada kedudukan yang betul sebelum operasi. Menggunkan kelajuan yang tepat untuk kerja anda.

► **Rajah5:** 1. Tuil perubahan kelajuan

Nombor yang dipaparkan	Simbol	Kelajuan	Operasi yang boleh digunakan
2		Tinggi	Operasi pengamplasan
1		Rendah	Operasi menggilap

Fungsi pencegahan mula semula secara tidak sengaja

Jika anda memasang kartrij bateri semasa menarik pemicu suis atau mengunci pemicu suis, alat tidak bermula. Untuk memulakan alat, lepaskan pemicu suis dan kemudian tarik pemicu suis.

PEMASANGAN

⚠PERHATIAN: Sentiasa pastikan alat dimatikan dan kartrij bateri dikeluarkan sebelum menjalankan sebarang kerja pada alat.

Memasang genggamannya sisi

⚠PERHATIAN: Ketatkan penutup atau genggamannya sisi dengan kuat. Jika tidak, penutup hadapan boleh jatuh dan menyebabkan kecederaan.

Pasang penutup kemudian skrukan genggamannya sisi pada alat dengan kukuh. Pemasangan yang longgar akan hilang keseimbangan dan menyebabkan getaran berlebihan yang boleh menyebabkan hilangnya kawalan.

► **Rajah6:** 1. Penutup 2. Genggamannya sisi

Memasang pad penyokong

⚠PERHATIAN: Pastikan pad penyokong dipasang dengan betul. Pemasangan yang longgar akan hilang keseimbangan dan menyebabkan getaran berlebihan yang boleh menyebabkan hilangnya kawalan.

⚠PERHATIAN: Jangan sekali-kali menggerakkan kunci aci ketika spindel bergerak. Alat mungkin rosak.

NOTA: Bersihkan aksesori dan spindel secara berkala untuk membuang habuk dan serpihan. Lap komponen sehingga bersih menggunakan kain yang dilembapkan dengan air sabun jika perlu.

Sistem cangkuk dan gelung

Tekan pada kunci aci untuk mengelakkan putaran spindel, dan masukkan pad penyokong ke spindel. Ketatkan dengan kukuh menggunakan tangan.

► **Rajah7:** 1. Kunci aci 2. Spindel 3. Pad penyokong

Untuk menanggalkan pad penyokong, ikut prosedur pemasangan secara terbalik.

Sistem putar pasang/putar tanggal

Skrukan pad penyokong kepada penyesuai. Kemudian masukkan hujung penyesuai yang lain ke spindel sambil menekan kunci aci. Ketatkan dengan kukuh menggunakan tangan.

► **Rajah8:** 1. Pad penyokong 2. Penyesuai 3. Kunci aci 4. Spindel

Untuk menanggalkan pad penyokong, ikut prosedur pemasangan secara terbalik.

Memasang dan menanggalkan pad penggilapan

⚠PERHATIAN: Hanya gunakan pad sistem cangkuk dan gelung untuk penggilapan.

⚠PERHATIAN: Pastikan pad tersebut dan pad penyokong diselaraskan dan dipasang dengan kukuh. Jika tidak, pad akan menyebabkan getaran yang berlebihan yang boleh menyebabkan hilangnya kawalan atau pad boleh tercampak dari alat.

Buang semua kotoran dan benda asing dari sistem cangkuk dan gelung pad dan pada penyokong. Pasangkan pad tersebut ke pad penyokong sehingga tepinya sejajar.

Untuk mengeluarkan pad dari pad penyokong, tarik sahaja dari tepinya.

► **Rajah9:** 1. Pad 2. Pad penyokong

Memasang cakera lelas

Aksesori pilihan

⚠PERHATIAN: Hanya gunakan cakera sistem putar pasang/putar tanggal untuk pengamplasan.

Pemilihan cakera

⚠PERHATIAN: Diameter luar aksesori mestilah dalam pengkadaran kapasiti alat kuasa.

⚠PERHATIAN: Kelajuan terkadar aksesori mesti sama atau lebih tinggi daripada kelajuan maksimum yang ditandakan pada alat kuasa.

Sentiasa gunakan roda berukiran yang betul diperbuat daripada bahan lelas yang sesuai dengan ukuran kikir yang tepat untuk kerja anda.

Bahan cakera lelas

Bahan lelas	Ciri asas	Aplikasi praktikal
Aluminium Oksida	Paling sesuai untuk keluli, keluli tahan karat dan logam. Bahan lelas kristal tunggal dengan kekukuhan dan ketahanan yang tinggi.	Pengamplasan pantas Kebanyakan kerja logam
Alumina Zirkonium	Paling sesuai untuk INOX dan logam. Bahan lelas yang sangat tajam dan keras dengan ketahanan yang tinggi.	Menanggalkan cat dari kereta dan kapal, dll.
Tembikar	Paling sesuai untuk bahan INOX, logam dan bukan ferus. Sangat tajam dan berketahanan tinggi terhadap kejutan/panas/kehausan.	Kerja logam umum

Saiz kikir

Kikir	Aplikasi praktikal
24/36 (kasar)	Penanggalan stok yang berat
60/80	Penanggalan stok yang sederhana
120 (halus)	Kemasan

Memasang dan mengeluarkan cakera lelas

⚠️PERHATIAN: Pastikan pad penyokong dipasang dengan betul. Pemasangan yang longgar akan hilang keseimbangan dan menyebabkan getaran berlebihan yang boleh menyebabkan hilangnya kawalan.

Keluarkan semua kotoran dan bahan asing dari pad penyokong. Lalukan cakera kasar pada pad sokongan sambil menekan kunci aci. Ketatkan dengan kukuh menggunakan tangan.

Untuk menanggalkan cakera dari pad penyokong, ikut prosedur pemasangan secara terbalik.

► **Rajah10:** 1. Cakera lelas 2. Pad penyokong

OPERASI

⚠️PERHATIAN: Hanya gunakan pad asli Makita untuk menggilap.

⚠️PERHATIAN: Hanya gunakan cakera lelas Makita asli untuk pengamplasan (aksesori pilihan).

⚠️PERHATIAN: Pastikan bahan kerja dipasang dengan kukuh dan stabil. Objek yang jatuh boleh menyebabkan kecederaan diri.

⚠️PERHATIAN: Pegang alat dengan kukuh dengan satu tangan pada pemegang suis dan tangan lain pada genggam sisi apabila menggunakan alat.

⚠️PERHATIAN: Jangan jalankan alat dengan beban tinggi dalam jangka masa yang panjang. Ia boleh mengakibatkan kerosakan alat yang menyebabkan kejutan elektrik, kebakaran dan/atau kecederaan serius.

⚠️PERHATIAN: Berhati-hati supaya tidak tersentuh bahagian berputar.

⚠️PERHATIAN: Sebelum mengoperasikan alat, pastikan bahawa cengkaman sisi atau penutup tidak longgar. Sekiranya genggam sisi atau penutupnya longgar, penutup depan boleh jatuh dan menyebabkan kecederaan.

NOTIS: Jangan sekali-kali paksa alat. Tekanan yang berlebihan boleh menyebabkan penurunan kecekapan penggilapan, pad yang rosak atau memendekkan jangka hayat alat.

NOTIS: Operasi berterusan pada kelajuan tinggi boleh merosakkan permukaan kerja.

Operasi umum

► Rajah11

1. Pastikan benda kerja disokong dengan betul dan kedua-dua tangan bebas untuk mengawal alat.
2. Pegang alat dengan kukuh dengan satu tangan pada pemegang suis dan tangan lain pada genggam sisi.
3. Hidupkan alat tersebut, biarkan roda mencapai kelajuan penuh dan berhati-hati masuk ke dalam potongan dan menggerakkan alat ke depan pada permukaan bahan kerja.
4. Setelah selesai, sentiasa matikan alat dan tunggu sehingga roda berhenti sepenuhnya sebelum meletakkan alat di bawah.

Operasi menggilap

► Rajah12

1. Rawatan permukaan

Gunakan pad kain berbulu untuk kemasan kasar kemudian gunakan pad span untuk kemasan halus.

2. Menyapu lilin

Gunakan pad span. Sapukan lilin pada pad span atau permukaan kerja. Jalankan alat dalam kelajuan rendah untuk melicinkan lilin.

⚠PERHATIAN: Jangan gunakan lilin atau ejen penggilapan yang berlebihan. Ia akan menghasilkan lebih banyak habuk dan boleh menyebabkan penyakit mata atau pernafasan.

NOTA: Mula-mula, lakukan ujian pelilinan pada bahagian permukaan kerja yang tidak ketara. Pastikan alat ini tidak mencalarakan permukaan atau mengakibatkan pelilinan tidak rata.

3. Menanggalkan lilin

Gunakan pad span. Jalankan alat untuk menanggalkan lilin.

4. Penggilapan

Sapukan pad span ke permukaan kerja dengan lembut.

Operasi pengamplasan

⚠PERHATIAN: Jangan sekali-kali menghidupkan alat ketika ia bersentuhan dengan bahan kerja, ia boleh menyebabkan kecederaan kepada pengendali.

⚠PERHATIAN: Jangan sekali-kali menjalankan alat tanpa cakera lelas. Anda boleh merosakkan alat dengan serius.

⚠PERHATIAN: Sentiasa memakai gogal keselamatan atau pelindung muka semasa operasi.

⚠PERHATIAN: Selepas operasi, sentiasa matikan alat dan tunggu sehingga cakera berhenti sepenuhnya sebelum meletakkan alat di bawah.

► Rajah13

SENTIASA pegang alat dengan kemas dengan satu tangan pada pemegang belakang dan satu lagi tangan pada pemegang sisi. Hidupkan alat dan kemudian letak cakera lelas pada bahan kerja.

Secara amnya, kekalkan cakera lelas pada sudut kira-kira 15 darjah dari permukaan bahan kerja.

Gunakan sedikit sahaja tekanan. Tekanan yang berlebihan akan menyebabkan prestasi yang lemah dan haus terlalu awal pada cakera lelas.

PENYELENGGARAAN

⚠PERHATIAN: Sentiasa pastikan alat dimatikan dan kartrij bateri dikeluarkan sebelum cuba menjalankan pemeriksaan atau penyelenggaraan.

NOTIS: Jangan gunakan petrol, benzin, pencair, alkohol atau bahan yang serupa. Ia boleh menyebabkan perubahan warna, bentuk atau keretakan.

Untuk mengekalkan KESELAMATAN dan KEBOLEHPERCAYAAN produk, pembaikan, apa-apa penyelenggaraan atau penyesuaian lain perlu dilakukan oleh Kilang atau Pusat Servis Makita yang Diiktiraf, sentiasa gunakan alat ganti Makita.

Membersihkan pelindung habuk

► Rajah14: 1. Pelindung habuk

Bersihkan pelindung habuk secara berkala pada lubang penyedutan untuk peredaran udara yang lancar. Tanggalkan pelindung habuk dan bersihkan jaring.

AKSESORI PILIHAN

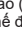

⚠PERHATIAN: Aksesori-aksesori atau lampiran-lampiran ini adalah disyorkan untuk digunakan dengan alat Makita anda yang ditentukan dalam manual ini. Penggunaan mana-mana aksesori-aksesori atau lampiran-lampiran lain mungkin mengakibatkan risiko kecederaan kepada orang. Hanya gunakan aksesori atau lampiran untuk tujuan yang dinyatakan.

Jika anda memerlukan sebarang bantuan untuk maklumat lebih lanjut mengenai aksesori ini, tanya Pusat Perkhidmatan Makita tempatan anda.

- Pad kain berbulu
- Pad span (kuning)
- Pad span (putih)
- Span ajaib
- Pad putar pasang/putar tanggal
- Bateri dan pengecas asli Makita

NOTA: Beberapa item dalam senarai mungkin disertakan dalam pakej alat sebagai aksesori standard. Item mungkin berbeza mengikut negara.

THÔNG SỐ KỸ THUẬT

Kiểu máy:		PV301D
Công suất tối đa	Tấm len	80 mm
	Tấm bọt biển	80 mm
	Đĩa chà nhám	50 mm
Đường kính tấm đặt lót	Đế chà nhám	46 mm
	Đế đánh bóng	75 mm
Tốc độ định mức (n) / Tốc độ không tải (n ₀)	Cao (2 ): chế độ chà nhám	0 - 9.500 min ⁻¹
	Thấp (1 ): chế độ đánh bóng	0 - 2.800 min ⁻¹
Tổng chiều dài		139 mm *1
Điện áp định mức		D.C. 10,8 V - tối đa 12 V
Khối lượng tịnh		1,1 - 1,2 kg

*1. Với hộp pin (BL1041B).

- Do chương trình nghiên cứu và phát triển liên tục của chúng tôi nên các thông số kỹ thuật trong đây có thể thay đổi mà không cần thông báo trước.
- Các thông số kỹ thuật và hộp pin có thể thay đổi tùy theo từng quốc gia.
- Khối lượng có thể khác nhau tùy thuộc vào (các) phụ kiện, bao gồm cả hộp pin. Tổ hợp nhẹ nhất và nặng nhất, theo Quy trình EPTA 01/2014, được trình bày trong bảng.

Hộp pin và sạc pin có thể áp dụng

Hộp pin	BL1016 / BL1021B / BL1041B
Bộ sạc	DC10SA / DC10SB / DC10WC / DC10WD / DC18RE

- Một số hộp pin và sạc pin được nêu trong danh sách ở trên có thể không khả dụng tùy thuộc vào khu vực cư trú của bạn.

⚠ CẢNH BÁO: Chỉ sử dụng hộp pin và sạc pin được nêu trong danh sách ở trên. Việc sử dụng bất cứ hộp pin và sạc pin nào khác có thể gây ra thương tích và/hoặc hỏa hoạn.

Ký hiệu

Phần dưới đây cho biết các ký hiệu có thể được dùng cho thiết bị. Đảm bảo rằng bạn hiểu rõ ý nghĩa của các ký hiệu này trước khi sử dụng.



Đọc tài liệu hướng dẫn.



Mang kính an toàn.



Chỉ dành cho các quốc gia EU
Không tháo bỏ thiết bị điện hoặc bộ pin cùng với các chất thải sinh hoạt!
Để tuân thủ các Chỉ thị của Châu Âu về thiết bị điện và điện tử thải bỏ, và về pin và ắc quy và pin và ắc quy thải bỏ, và thi hành những chỉ thị này phù hợp với luật lệ quốc gia, các thiết bị điện tử và pin và (các) bộ pin không còn sử dụng được nữa phải được thu nhặt riêng và đưa trở lại một cơ sở tái chế tương thích với môi trường.

Mục đích sử dụng

Dụng cụ này được dùng để đánh bóng, làm mịn trước khi sơn, hoàn thiện các bề mặt và loại bỏ rỉ sét và sơn.

CẢNH BÁO AN TOÀN

Cảnh báo an toàn chung dành cho dụng cụ máy

⚠ CẢNH BÁO: Xin đọc tất cả các cảnh báo an toàn, hướng dẫn, minh họa và thông số kỹ thuật đi kèm với dụng cụ máy này. Việc không tuân theo các hướng dẫn được liệt kê dưới đây có thể dẫn đến điện giật, hỏa hoạn và/hoặc thương tích nghiêm trọng.

Lưu giữ tất cả cảnh báo và hướng dẫn để tham khảo sau này.

Thuật ngữ “dụng cụ máy” trong các cảnh báo đề cập đến dụng cụ máy (có dây) được vận hành bằng nguồn điện chính hoặc dụng cụ máy (không dây) được vận hành bằng pin của bạn.

An toàn tại nơi làm việc

1. **Giữ nơi làm việc sạch sẽ và có đủ ánh sáng.** Nơi làm việc bừa bộn hoặc tối thường dễ gây ra tai nạn.
2. **Không vận hành dụng cụ máy trong môi trường cháy nổ, ví dụ như môi trường có sự hiện diện của các chất lỏng, khí hoặc bụi dễ cháy.** Các dụng cụ máy tạo tia lửa điện có thể làm bụi hoặc khí bốc cháy.
3. **Giữ trẻ em và người ngoài tránh xa nơi làm việc khi đang vận hành dụng cụ máy.** Sự xao lãng có thể khiến bạn mất khả năng kiểm soát.

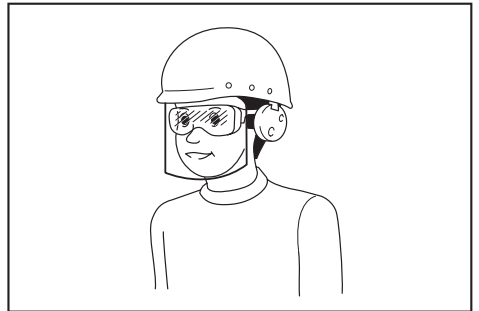
An toàn về Điện

1. **Phích cắm của dụng cụ máy phải khớp với ổ cắm. Không được sửa đổi phích cắm theo bất kỳ cách nào. Không sử dụng bất kỳ phích chuyển đổi nào với các dụng cụ máy được nối đất (tiếp đất).** Các phích cắm còn nguyên vẹn và ổ cắm phù hợp sẽ giảm nguy cơ điện giật.
2. **Tránh đề cơ thể tiếp xúc với các bề mặt nối đất hoặc tiếp đất như đường ống, bộ tản nhiệt, bếp gas và tủ lạnh.** Nguy cơ bị điện giật sẽ tăng lên nếu cơ thể bạn được nối đất hoặc tiếp đất.
3. **Không để dụng cụ máy tiếp xúc với mưa hoặc trong điều kiện ẩm ướt.** Nước lọt vào dụng cụ máy sẽ làm tăng nguy cơ điện giật.
4. **Không lạm dụng dây điện. Không được phép sử dụng dây để mang, kéo hoặc tháo phích cắm dụng cụ máy. Giữ dây tránh xa nguồn nhiệt, dầu, các mép sắc hoặc các bộ phận chuyển động.** Dây bị hỏng hoặc bị rối sẽ làm tăng nguy cơ điện giật.
5. **Khi vận hành dụng cụ máy ngoài trời, hãy sử dụng dây kéo dài phù hợp cho việc sử dụng ngoài trời.** Việc dùng dây phù hợp cho việc sử dụng ngoài trời sẽ giảm nguy cơ điện giật.
6. **Nếu bắt buộc phải vận hành dụng cụ máy ở nơi ẩm ướt, hãy sử dụng nguồn cấp điện được bảo vệ bằng thiết bị ngắt dòng điện rò (RCD).** Việc sử dụng RCD sẽ làm giảm nguy cơ điện giật.
7. **Các dụng cụ máy có thể tạo ra từ trường điện (EMF) có hại cho người dùng.** Tuy nhiên, người dùng máy trợ tim và những thiết bị y tế tương tự khác nên liên hệ với nhà sản xuất thiết bị và/hoặc bác sỹ để được tư vấn trước khi vận hành dụng cụ máy.

An toàn Cá nhân

1. **Luôn tỉnh táo, quan sát những việc bạn đang làm và sử dụng những phán đoán theo kinh nghiệm khi vận hành dụng cụ máy. Không sử dụng dụng cụ máy khi bạn đang mệt mỏi hoặc chịu ảnh hưởng của ma túy, rượu hay thuốc.** Chỉ một khoảnh khắc không tập trung khi đang vận hành dụng cụ máy cũng có thể dẫn đến thương tích cá nhân nghiêm trọng.

2. **Sử dụng thiết bị bảo hộ cá nhân. Luôn đeo thiết bị bảo vệ mắt.** Các thiết bị bảo hộ như mặt nạ chống bụi, giày an toàn chống trượt, mũ bảo hộ hay thiết bị bảo vệ thính giác được sử dụng trong các điều kiện thích hợp sẽ giúp giảm thương tích cá nhân.
3. **Tránh vô tình khởi động dụng cụ máy. Đảm bảo công tắc ở vị trí off (tắt) trước khi nối nguồn điện và/hoặc bộ pin, cầm hoặc di chuyển dụng cụ máy.** Việc di chuyển dụng cụ máy khi đang đặt ngón tay ở vị trí công tắc hoặc cấp điện cho dụng cụ máy đang bật thường dễ gây ra tai nạn.
4. **Tháo tất cả các khóa hoặc cờ lê điều chỉnh trước khi bật dụng cụ máy.** Việc cờ lê hoặc khóa vẫn còn gắn vào bộ phận quay của dụng cụ máy có thể dẫn đến thương tích cá nhân.
5. **Không vịn quá cao. Luôn giữ thăng bằng tốt và có chỗ để chân phù hợp.** Điều này cho phép điều khiển dụng cụ máy tốt hơn trong những tình huống bất ngờ.
6. **Ăn mặc phù hợp. Không mặc quần áo rộng hay đeo đồ trang sức. Giữ tóc và quần áo tránh xa các bộ phận chuyển động.** Quần áo rộng, đồ trang sức hay tóc dài có thể mắc vào các bộ phận chuyển động.
7. **Nếu các thiết bị được cung cấp để kết nối các thiết bị thu gom và hút bụi, hãy đảm bảo chúng được kết nối và sử dụng hợp lý.** Việc sử dụng thiết bị thu gom bụi có thể làm giảm những mối nguy hiểm liên quan đến bụi.
8. **Không vì quen thuộc do thường xuyên sử dụng các dụng cụ mà cho phép bạn trở nên tự mãn và bỏ qua các nguyên tắc an toàn dụng cụ.** Một hành động bất cẩn có thể gây ra thương tích nghiêm trọng trong một phần của một giây.
9. **Luôn luôn mang kính bảo hộ để bảo vệ mắt khỏi bị thương khi đang sử dụng các dụng cụ máy. Kính bảo hộ phải tuân thủ ANSI Z87.1 ở Mỹ, EN 166 ở Châu Âu, hoặc AS/NZS 1336 ở Úc/New Zealand. Tại Úc/New Zealand, theo luật pháp, bạn cũng phải mang mặt nạ che mặt để bảo vệ mặt.**



Trách nhiệm của chủ lao động là bắt buộc người vận hành dụng cụ và những người khác trong khu vực làm việc cạnh đó phải sử dụng các thiết bị bảo hộ an toàn thích hợp.

Sử dụng và bảo quản dụng cụ máy

1. **Không dùng lực đối với dụng cụ máy. Sử dụng đúng dụng cụ máy cho công việc của bạn.** Sử dụng đúng dụng cụ máy sẽ giúp thực hiện công việc tốt hơn và an toàn hơn theo giá trị định mức được thiết kế của dụng cụ máy đó.
2. **Không sử dụng dụng cụ máy nếu công tắc không bật và tắt được dụng cụ máy đó.** Mọi dụng cụ máy không thể điều khiển được bằng công tắc đều rất nguy hiểm và phải được sửa chữa.
3. **Rút phích cắm ra khỏi nguồn điện và/hoặc tháo kết nối bộ pin khỏi dụng cụ máy, nếu có thể tháo rời trước khi thực hiện bất kỳ công việc điều chỉnh, thay đổi phụ tùng hay cất giữ dụng cụ máy nào.** Những biện pháp an toàn phòng ngừa này sẽ giảm nguy cơ vô tình khởi động dụng cụ máy.
4. **Cất giữ các dụng cụ máy không sử dụng ngoài tầm với của trẻ em và không cho bất kỳ người nào không có hiểu biết về dụng cụ máy hoặc các hướng dẫn này vận hành dụng cụ máy.** Dụng cụ máy sẽ rất nguy hiểm nếu được sử dụng bởi những người dùng chưa qua đào tạo.
5. **Bảo dưỡng dụng cụ máy và các phụ kiện. Kiểm tra tình trạng lệch trục hoặc bó kẹt của các bộ phận chuyển động, hiện tượng nứt vỡ của các bộ phận và mọi tình trạng khác mà có thể ảnh hưởng đến hoạt động của dụng cụ máy. Nếu có hỏng hóc, hãy sửa chữa dụng cụ máy trước khi sử dụng.** Nhiều tai nạn xảy ra là do không bảo quản tốt dụng cụ máy.
6. **Luôn giữ cho dụng cụ cất được sắc bén và sạch sẽ.** Những dụng cụ cất được bảo quản tốt có mức cất sắc sẽ ít bị kẹt hơn và dễ điều khiển hơn.
7. **Sử dụng dụng cụ máy, phụ tùng và đầu dụng cụ cắt, v.v... theo các hướng dẫn này, có tính đến điều kiện làm việc và công việc được thực hiện.** Việc sử dụng dụng cụ máy cho các công việc khác với công việc dự định có thể gây nguy hiểm.
8. **Giữ tay cầm và bề mặt tay cầm khô, sạch, không dính dầu và mỡ.** Tay cầm trơn trượt và bề mặt tay cầm không cho phép xử lý an toàn và kiểm soát dụng cụ trong các tình huống bất ngờ.
9. **Khi sử dụng dụng cụ, không được đi giày tay lao động bằng vải vớng vào các bộ phận chuyển động có thể gây ra thương tích cá nhân.**

Sử dụng và bảo quản dụng cụ dùng pin

1. **Chỉ sạc pin lại với bộ sạc do nhà sản xuất quy định.** Bộ sạc phù hợp với một loại bộ pin này có thể gây ra nguy cơ hỏa hoạn khi được dùng cho một bộ pin khác.
2. **Chỉ sử dụng các dụng cụ máy với các bộ pin được quy định cụ thể.** Việc sử dụng bất cứ bộ pin nào khác có thể gây ra thương tích và hỏa hoạn.
3. **Khi không sử dụng bộ pin, hãy giữ tránh xa các đồ vật khác bằng kim loại, chẳng hạn như kẹp giấy, tiền xu, chìa khóa, đinh, ốc vít hoặc các vật nhỏ bằng kim loại mà có thể làm nối tất các đầu cực pin.** Các đầu cực pin bị đoản mạch có thể gây cháy hoặc hỏa hoạn.

4. **Trong điều kiện sử dụng quá mức, pin có thể bị chảy nước; hãy tránh tiếp xúc. Nếu vô tình tiếp xúc với pin bị chảy nước, hãy rửa sạch bằng nước. Nếu dung dịch từ pin tiếp xúc với mắt, cần đi khám bác sĩ thêm.** Dung dịch chảy ra từ pin có thể gây rát da hoặc bỏng.
5. **Không sử dụng bộ pin hoặc dụng cụ bị hư hỏng hoặc đã bị sửa đổi.** Pin đã bị hư hỏng hoặc đã bị sửa đổi có thể hành động theo cách không thể đoán trước dẫn đến cháy, nổ hoặc nguy cơ chấn thương.
6. **Không để bộ pin hoặc dụng cụ tiếp xúc với lửa hoặc nhiệt độ quá cao.** Tiếp xúc với lửa hoặc nhiệt độ trên 130 °C có thể gây ra cháy nổ.
7. **Làm theo tất cả các hướng dẫn sạc pin và không được sạc bộ pin hoặc dụng cụ vượt giới hạn nhiệt độ quy định trong hướng dẫn.** Sạc pin không đúng hoặc ở nhiệt độ vượt giới hạn nhiệt độ có thể gây hư hỏng cho pin và làm tăng nguy cơ cháy.

Bảo dưỡng

1. **Đề nghị viên sửa chữa đủ trình độ bảo dưỡng dụng cụ máy của bạn và chỉ sử dụng các bộ phận thay thế đồng nhất.** Việc này sẽ đảm bảo duy trì được độ an toàn của dụng cụ máy.
2. **Không bao giờ sử dụng bộ pin đã hỏng.** Dịch vụ bảo hành bộ pin chỉ nên thực hiện bởi nhà sản xuất hoặc các nhà cung cấp dịch vụ được ủy quyền.
3. **Tuân theo hướng dẫn dành cho việc bôi trơn và thay phụ tùng.**

Cảnh báo an toàn đối với máy đánh bóng cầm tay hoạt động bằng pin

Cảnh Báo An Toàn Thông Thường Cho Thao Tác Chà Nhám Hoặc Đánh Bóng:

1. **Dụng cụ máy này được dùng để làm máy chà nhám hoặc máy đánh bóng. Xin đọc tất cả các cảnh báo an toàn, hướng dẫn, minh họa và thông số kỹ thuật đi kèm với dụng cụ máy này.** Việc không tuân theo các hướng dẫn được liệt kê dưới đây có thể dẫn đến điện giật, hỏa hoạn và/hoặc thương tích nghiêm trọng.
2. **Các thao tác như mài, đánh bàn chải kim loại hoặc cắt không được khuyến khích thực hiện bằng dụng cụ máy này.** Các thao tác mà dụng cụ máy này không được thiết kế để thực hiện có thể tạo ra nguy hiểm và gây thương tích cá nhân.
3. **Không được dùng các phụ kiện không được thiết kế đặc biệt và không theo khuyến cáo của nhà sản xuất dụng cụ.** Bởi nếu có thể gắn phụ kiện đó vào dụng cụ máy của bạn thì điều đó hoàn toàn không đảm bảo việc vận hành máy an toàn.
4. **Tốc độ định mức của phụ kiện ít nhất phải bằng tốc độ tối đa được đánh dấu trên dụng cụ máy này.** Các phụ kiện chạy nhanh hơn tốc độ định mức của chúng có thể bị vỡ và bay ra ngoài.
5. **Đường kính bên ngoài và độ dày của phụ kiện phải nằm trong mức đánh giá công suất của dụng cụ máy của bạn.** Các phụ kiện có kích thước không chính xác không thể được bảo vệ hoặc kiểm soát một cách đầy đủ.

6. **Lắp ren của phụ kiện phải khớp với ren của dụng cụ. Đối với các phụ kiện được gắn bằng vành, lỗ trục tâm của phụ kiện đó phải vừa khớp với đường kính định vị của vành.** Các phụ kiện không khớp với phần kim loại lắp ghép của dụng cụ máy sẽ bị mất cân bằng, rung động quá mức và có thể gây ra mất kiểm soát.
7. **Không sử dụng phụ kiện đã hư hỏng. Trước mỗi lần sử dụng hãy kiểm tra phụ kiện như tấm đặt lót xem có nứt, gãy hoặc bị ăn mòn quá mức không. Nếu dụng cụ máy hoặc phụ kiện bị rơi, hãy kiểm tra xem có hư hỏng hay không hoặc lắp lại phụ kiện không bị hư hại. Sau khi kiểm tra và cài đặt phụ kiện, hãy tìm chỗ đứng cho bản thân mình và những người xung quanh để tránh xa mặt phẳng phụ kiện quay và chạy dụng cụ máy này ở tốc độ không tải tối đa trong vòng một phút.** Phụ kiện bị hư hỏng thông thường sẽ bị vỡ trong thời gian thử nghiệm này.
8. **Mang thiết bị bảo hộ cá nhân. Tùy thuộc vào việc sử dụng máy, hãy dùng mặt nạ bảo vệ mặt, kính bảo hộ hoặc kính an toàn. Khi thích hợp, hãy mang mặt nạ chống bụi, dụng cụ bảo vệ thính giác, găng tay và tạp dề làm việc có khả năng ngăn chặn các mảnh mài mòn hoặc mảnh vỡ từ vật gia công. Thiết bị bảo vệ mắt phải có khả năng ngăn chặn các mảnh vụn bay ra phát sinh bởi các hoạt động khác nhau. Mặt nạ chống bụi hoặc khẩu trang phải có khả năng lọc được các hạt tạo ra bởi hoạt động của bạn. Tiếp xúc kéo dài với tiếng ồn có cường độ cao có thể gây ra mất thính giác.**
9. **Giữ những người xung quanh tránh xa nơi làm việc một khoảng cách an toàn. Bất cứ ai bước vào khu vực làm việc đều phải đeo thiết bị bảo hộ cá nhân.** Các mảnh vỡ của phôi gia công hoặc phụ kiện bị vỡ có thể bắn ra và gây thương tích bên ngoài khu vực thao tác cạnh đó.
10. **Chỉ cần dụng cụ máy bằng bề mặt tay cầm cách điện khi thực hiện một thao tác trong đó dụng cụ cắt có thể tiếp xúc với dây điện ngầm.** Tiếp xúc với dây dẫn "có điện" có thể khiến các bộ phận kim loại bị hở của dụng cụ máy "có điện" và có thể làm cho người vận hành bị điện giật.
11. **Không bao giờ đặt dụng cụ máy xuống cho đến khi phụ kiện đã dừng hẳn.** Phụ kiện quay có thể quán lấy bề mặt và kéo công cụ máy vượt khỏi tầm kiểm soát của bạn.
12. **Không được chạy dụng cụ máy trong lúc đang mang bên hông bạn.** Tiếp xúc bất ngờ với phụ kiện quay có thể quán lấy quần áo của bạn, kéo phụ kiện văng vào người bạn.
13. **Thường xuyên làm sạch các lỗ thông hơi của dụng cụ máy.** Quạt của động cơ sẽ thu hút bụi vào bên trong vỏ và nhiều bột kim loại tích tụ có thể gây ra các nguy hiểm về điện.
14. **Không vận hành công cụ máy gần các vật liệu dễ cháy.** Các tia lửa có thể kích cháy các vật liệu này.
15. **Không sử dụng các phụ kiện có yêu cầu chất làm mát dạng lỏng. Sử dụng chất làm mát bằng nước hoặc chất lỏng khác có thể dẫn đến điện giật hoặc sốc.**

Lực đẩy ngược và Cảnh báo Liên quan

Lực đẩy ngược là phản ứng bất ngờ đối với đĩa mài, tấm đặt lót, chổi hoặc bất cứ phụ kiện nào khác đang quay nhưng bị kẹt hoặc bị quán. Việc bị kẹt hoặc quán sẽ làm phụ kiện đang quay bị dừng nhanh chóng và do đó dụng cụ máy không kiểm soát được sẽ bị buộc phải theo hướng đối diện hướng quay của phụ kiện tại điểm bị ràng buộc.

Ví dụ, nếu đĩa nhám bị quán hoặc kẹt bởi phôi gia công, phần mép của đĩa đang đi vào điểm kẹt có thể cày xới bề mặt vật liệu làm đĩa nhám trượt hoặc văng ra ngoài. Đĩa nhám có thể hoặc bật ra về gần hoặc xa khỏi người vận hành, tùy thuộc vào hướng chuyển động của đĩa nhám tại điểm kẹt. Đĩa nhám cũng có thể bị vỡ trong những tình huống sau.

Lực đẩy ngược là kết quả của việc sử dụng dụng cụ máy không đúng và/hoặc do các quy trình vận hành hoặc các điều kiện không chính xác và có thể tránh được bằng cách thực hiện các biện pháp phòng ngừa thích hợp như được nêu dưới đây.

1. **Nắm giữ chắc dụng cụ máy và chọn thế đứng và vị trí tay cầm để cho phép bạn chống lại lực đẩy ngược. Luôn luôn sử dụng tay cầm phụ, nếu được cung cấp, để kiểm soát tối đa lực đẩy ngược hoặc mô-men xoắn trong lúc khởi động.** Người vận hành máy có thể kiểm soát mô-men xoắn hay lực đẩy ngược nếu thực hiện các biện pháp phòng ngừa đúng cách.
2. **Không bao giờ đặt tay bạn gần phụ kiện quay.** Phụ kiện có thể quay ngược lại lên tay bạn.
3. **Không đứng tại vị trí nơi dụng cụ máy sẽ bị đẩy tới nếu xảy ra lực đẩy ngược.** Lực đẩy ngược sẽ làm xoay dụng cụ theo hướng ngược lại chuyển động của đĩa mài tại vị trí bị quán.
4. **Cần đặc biệt cẩn thận khi thao tác với các cạnh góc, mép sắc, v.v... Tránh làm đội ra và quán vào phụ kiện.** Các góc, mép sắc hoặc đội ra có xu hướng làm quán lấy phụ kiện đang quay và gây mất kiểm soát hoặc tạo lực đẩy ngược.
5. **Không được gắn lưỡi cưa xích khác gỗ hoặc lưỡi cưa nhôm.** Các loại lưỡi như vậy thường tạo ra lực đẩy ngược và dễ mất kiểm soát.

Cảnh báo an toàn chỉ định cho thao tác chà nhám:

1. **Không sử dụng giấy chà nhám dạng đĩa có khổ quá lớn. Làm theo các hướng nghị của nhà sản xuất khi lựa chọn giấy nhám.** Giấy nhám lớn hơn vượt ra khỏi tấm đánh nhám sẽ dễ gây nguy hiểm rách giấy và có thể gây quán, xé rách đĩa hoàn toàn tạo lực đẩy ngược.

Cảnh Báo An Toàn Chỉ Định Cho Thao Tác Đánh Bóng:

1. **Không cho phép bất kỳ phần bị lỏng nào của nắp đánh bóng hoặc các dây phụ kiện quay tự do. Thu dây hoặc xén bớt các dây phụ kiện bị lỏng bất kỳ.** Nới lỏng và quay dây phụ kiện có thể vướng vào các ngón tay của bạn hoặc quán vào phôi gia công.

Cảnh báo an toàn bổ sung:

1. **Phải đảm bảo rằng đĩa mài không tiếp xúc với phôi gia công trước khi bật công tắc lên.**
2. **Trước khi sử dụng dụng cụ này trên phôi gia công thực, hãy để dụng cụ chạy trong ít phút. Theo dõi sự rung động hoặc đu đưa qua lại có thể cho thấy việc lắp đặt không đạt yêu cầu hoặc đĩa mài được cân bằng kém.**

3. Sử dụng bề mặt của đĩa mài chỉ định để thực hiện chà nhám hoặc đánh bóng.
4. Không để mặc dụng cụ hoạt động. Chỉ vận hành dụng cụ khi cầm trên tay.
5. Không chạm vào phôi gia công ngay sau khi vận hành; chúng có thể rất nóng và có thể gây bỏng da.
6. Không chạm vào phụ kiện ngay sau khi vận hành; chúng có thể rất nóng và có thể gây bỏng da.
7. Tuân thủ các hướng dẫn của nhà sản xuất để gắn và sử dụng chính xác các đĩa mài. Xử lý và lưu trữ các đĩa mài cẩn thận.
8. Kiểm tra xem phôi gia công đã được kê đỡ đầy đủ chưa.
9. Chú ý rằng đĩa mài sẽ tiếp tục quay sau khi tắt dụng cụ.
10. Không dùng dụng cụ này trên bất kỳ vật liệu nào có chứa amiăng.
11. Không sử dụng găng tay làm việc bằng vải trong khi vận hành. Sợi từ găng tay bằng vải có thể đi vào dụng cụ, làm dụng cụ hư hỏng.
7. Không đốt hộp pin ngay cả khi hộp pin đã bị hư hại nặng hoặc hư hỏng hoàn toàn. Hộp pin có thể nổ khi tiếp xúc với lửa.
8. Không đóng đinh, cắt, nghiền nát, ném, làm rơi hộp pin hoặc va vật cứng vào hộp pin. Làm như thế có thể dẫn đến hỏa hoạn, quá nhiệt hoặc nổ.
9. Không sử dụng pin đã hỏng.
10. Pin nén lithium-ion là đối tượng có yêu cầu bắt buộc theo Luật Hàng hoá Nguy hiểm. Đối với vận tải thương mại, ví dụ như vận tải do bên thứ ba, đại lý giao nhận, thì yêu cầu đặc biệt về đóng gói và nhãn ghi phải được giám sát. Để chuẩn bị cho mặt hàng cần vận chuyển, cần phải tham khảo ý kiến chuyên gia về vật liệu nguy hiểm. Nếu được, vui lòng tuân thủ các quy định quốc gia chi tiết hơn. Buộc hoặc niêm phong các tiếp điểm mở và đóng gói pin theo cách đó để nó không thể di chuyển trong bao bì.
11. Khi vứt bỏ hộp pin, hãy tháo chúng khỏi dụng cụ và thái bỏ ở nơi an toàn. Phải tuân thủ theo các quy định của địa phương liên quan đến việc thái bỏ pin.

LƯU GIỮ CÁC HƯỚNG DẪN NÀY.

⚠CẢNH BÁO: KHÔNG vì đã thoải mái hay quen thuộc với sản phẩm (có được do sử dụng nhiều lần) mà không tuân thủ nghiêm ngặt các quy định về an toàn dành cho sản phẩm này. VIỆC DÙNG SAI hoặc không tuân theo các quy định về an toàn được nêu trong tài liệu hướng dẫn này có thể dẫn đến thương tích cá nhân nghiêm trọng.

Hướng dẫn quan trọng về an toàn dành cho hộp pin

1. Trước khi sử dụng hộp pin, hãy đọc kỹ tất cả các hướng dẫn và dấu hiệu cảnh báo trên (1) bộ sạc pin, (2) pin và (3) sản phẩm sử dụng pin.
2. Không tháo rời hoặc làm thay đổi hộp pin. Việc này có thể dẫn đến hỏa hoạn, quá nhiệt hoặc nổ.
3. Nếu thời gian vận hành ngắn hơn quá mức, hãy ngừng vận hành ngay lập tức. Điều này có thể dẫn đến rùi ro quá nhiệt, có thể gây bỏng và thậm chí là nổ.
4. Nếu chất điện phân rơi vào mắt, hãy rửa sạch bằng nước sạch và đến cơ sở y tế ngay lập tức. Chất này có thể khiến bạn giảm thị lực.
5. Không để hộp pin ở tình trạng đoản mạch:
 - (1) Không chạm vào cực pin bằng vật liệu dẫn điện.
 - (2) Tránh cất giữ hộp pin trong hộp có các vật kim loại khác như đinh, tiền xu, v.v...
 - (3) Không được để hộp pin tiếp xúc với nước hoặc mưa.
16. Không để vụn bào, bụi hoặc đất bám vào các điện cực, lỗ và rãnh của hộp pin. Việc này có thể dẫn đến hiệu suất kém hoặc hỏng hóc dụng cụ hay hộp pin.
17. Trừ khi dụng cụ hỗ trợ sử dụng gần đường dây điện cao thế, không sử dụng hộp pin gần đường dây điện cao thế. Việc này có thể dẫn đến trực trực hoặc hỏng hóc dụng cụ hay hộp pin.
18. Giữ pin tránh xa trẻ em.

LƯU GIỮ CÁC HƯỚNG DẪN NÀY.

⚠THẬN TRỌNG: Chỉ sử dụng pin Makita chính hãng. Việc sử dụng pin không chính hãng Makita, hoặc pin đã được sửa đổi, có thể dẫn đến nổ pin gây ra cháy, thương tích và thiệt hại cá nhân. Nó cũng sẽ làm mất hiệu lực bảo hành của Makita dành cho dụng cụ của Makita và bộ sạc.

- Đoản mạch pin có thể gây ra dòng điện lớn, quá nhiệt, có thể gây bỏng và thậm chí là hỏng hóc.
6. Không cất giữ cũng như sử dụng dụng cụ và hộp pin ở nơi nhiệt độ có thể lên tới hoặc vượt quá 50 °C (122 °F).

Mẹo duy trì tuổi thọ tối đa cho pin

1. Sạc hộp pin trước khi pin bị xả điện hoàn toàn. Luôn dừng việc vận hành dụng cụ và sạc pin khi bạn nhận thấy công suất dụng cụ bị giảm.
2. Không được phép sạc lại một hộp pin đã được sạc đầy. Sạc quá mức sẽ làm giảm tuổi thọ của pin.
3. Sạc pin ở nhiệt độ phòng 10°C - 40°C. Để cho hộp pin nóng nguội lại dần trước khi sạc pin.
4. Khi không sử dụng hộp pin, hãy tháo hộp pin ra khỏi dụng cụ hoặc bộ sạc.

MÔ TẢ CHỨC NĂNG

⚠ THẬN TRỌNG: Luôn đảm bảo rằng đã tắt dụng cụ và tháo hộp pin ra trước khi thực hiện việc điều chỉnh hoặc kiểm tra chức năng trên dụng cụ.

Lắp hoặc tháo hộp pin

⚠ THẬN TRỌNG: Luôn tắt dụng cụ trước khi lắp hoặc tháo hộp pin.

⚠ THẬN TRỌNG: Giữ dụng cụ và hộp pin thật chắc khi lắp hoặc tháo hộp pin. Không giữ dụng cụ và hộp pin thật chắc có thể làm trượt chúng khỏi tay và làm hư hỏng dụng cụ và hộp pin hoặc gây thương tích cá nhân.

► **Hình1:** 1. Chỉ báo màu đỏ 2. Nút 3. Hộp pin

Để tháo hộp pin, vừa trượt pin ra khỏi dụng cụ vừa đẩy trượt nút ở phía trước hộp pin.

Để lắp hộp pin, đặt thẳng hàng phần chốt nhô ra của hộp pin vào phần rãnh nằm trên vỏ và trượt hộp pin vào vị trí. Đưa hộp pin vào cho đến khi chốt khóa vào đúng vị trí với một tiếng "cách" nhẹ. Nếu bạn vẫn còn nhìn thấy chỉ báo màu đỏ ở mặt trên của nút, điều đó có nghĩa là chốt vẫn chưa được khóa hoàn toàn.

⚠ THẬN TRỌNG: Luôn lắp hộp pin khớp hoàn toàn vào vị trí cho đến khi không thể nhìn thấy chỉ báo màu đỏ. Nếu không, hộp pin có thể vô tình rơi ra khỏi dụng cụ, gây thương tích cho bạn hoặc người khác xung quanh.

⚠ THẬN TRỌNG: Không được dùng sức lắp hộp pin. Nếu hộp pin không nhẹ nhàng trượt vào vị trí, có nghĩa là pin vẫn chưa được lắp đúng.

Chỉ báo dung lượng pin còn lại

Chỉ dành cho hộp pin có đèn chỉ báo

► **Hình2:** 1. Các đèn chỉ báo 2. Nút Check (kiểm tra)

Ấn nút check (kiểm tra) trên hộp pin để chỉ báo dung lượng pin còn lại. Các đèn chỉ báo bật sáng lên trong vài giây.

Các đèn chỉ báo		Dung lượng còn lại
Bật sáng	Tắt	
		75% đến 100%
		50% đến 75%
		25% đến 50%
		0% đến 25%

LƯU Ý: Tùy thuộc vào các điều kiện sử dụng và nhiệt độ xung quanh, việc chỉ báo có thể khác biệt một chút so với dung lượng thực sự.

Hệ thống bảo vệ dụng cụ / pin

Dụng cụ này được trang bị hệ thống bảo vệ dụng cụ / pin. Hệ thống này sẽ tự động ngắt nguồn điện đến động cơ để kéo dài tuổi thọ dụng cụ và pin. Dụng cụ sẽ tự động dừng vận hành khi dụng cụ hoặc pin ở một trong những trường hợp sau đây:

Bảo vệ quá tải

Khi vận hành dụng cụ hoặc pin trong điều kiện làm máy tiêu tốn dòng cao bất thường, dụng cụ sẽ tự động dừng lại mà không có bất cứ dấu hiệu nào. Trong trường hợp này, hãy tắt dụng cụ và ngừng ứng dụng làm cho dụng cụ trở nên quá tải. Sau đó bật dụng cụ lên để khởi động lại.

Bảo vệ quá nhiệt

Khi dụng cụ hoặc pin bị quá nhiệt, dụng cụ sẽ tự động dừng. Trong trường hợp này, hãy để dụng cụ và pin nguội trước khi bật dụng cụ lại.

Bảo vệ xả điện quá mức


Khi dung lượng pin không đủ, thì dụng cụ sẽ tự động dừng. Trong trường hợp này, hãy tháo pin khỏi dụng cụ và sạc pin lại.


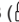
Hoạt động công tắc

⚠ THẬN TRỌNG: Trước khi lắp hộp pin vào dụng cụ, luôn luôn kiểm tra xem cần khởi động công tắc có hoạt động bình thường hay không và trả về vị trí “OFF” (TẮT) khi nhả ra.

⚠ THẬN TRỌNG: Công tắc có thể khóa ở vị trí “ON” (BẬT) để người vận hành dễ dàng thuận tiện trong quá trình sử dụng kéo dài. Cần hết sức cẩn trọng khi khóa dụng cụ ở vị trí “ON” (BẬT) và phải luôn giữ chặt dụng cụ.

⚠ THẬN TRỌNG: Không lắp hộp pin khi nút khóa đang được giải.

⚠ THẬN TRỌNG: Khi không vận hành dụng cụ, ấn xuống nút khóa cần khởi động từ bên  để khóa cần khởi động công tắc ở vị trí TẮT.

Để ngăn ngừa vô tình kéo cần khởi động công tắc, dụng cụ được trang bị một nút khóa cần khởi động. Để khởi động dụng cụ, nhấn nút khóa cần khởi động từ bên mặt A () và kéo cần khởi động công tắc. Tốc độ của dụng cụ được tăng lên bằng cách tăng áp lực lên cần khởi động công tắc. Nhả cần khởi động công tắc ra để dừng. Sau khi sử dụng, nhấn vào nút khóa cần khởi động từ bên mặt B ().

► **Hình3:** 1. Nút khóa cần khởi động

Để hoạt động liên tục, vừa ấn nút khóa vừa kéo cần khởi động công tắc, và sau đó nhả cần khởi động công tắc. Để dừng dụng cụ, hãy kéo cần khởi động công tắc hết mức, sau đó nhả ra.

► **Hình4:** 1. Cần khởi động công tắc 2. Nút khóa 3. Nút khóa cần khởi động

Cần thay đổi tốc độ

⚠ THẬN TRỌNG: Luôn để cần thay đổi tốc độ vào thật đúng vị trí. Nếu bạn vận hành dụng cụ với cần thay đổi tốc độ đặt ở một nửa giữa vị trí “1” và “2”, dụng cụ có thể bị hư hỏng.

⚠ THẬN TRỌNG: Không được sử dụng cần thay đổi tốc độ trong lúc dụng cụ đang chạy. Dụng cụ có thể bị hư hỏng.

⚠ THẬN TRỌNG: Nếu vận hành liên tục dụng cụ ở tốc độ thấp trong thời gian dài, động cơ sẽ bị quá tải, dẫn đến trục trặc dụng cụ.

Để thay đổi tốc độ, trước tiên hãy tắt dụng cụ. Đây cần thay đổi tốc độ để hiển thị “2” cho tốc độ cao hoặc “1” cho tốc độ thấp. Đảm bảo rằng cần thay đổi tốc độ được đặt ở đúng vị trí trước khi vận hành. Sử dụng đúng tốc độ cho công việc của bạn.

► **Hình5:** 1. Cần thay đổi tốc độ

Số hiển thị	Biểu tượng	Tốc độ	Vận hành phù hợp
2		Cao	Thao tác chà nhám
1		Thấp	Thao tác đánh bóng

Chức năng phòng ngừa vô tình khởi động lại

Nếu bạn lắp đặt hộp pin trong lúc kéo cần khởi động công tắc hoặc khóa cần khởi động công tắc, dụng cụ vẫn sẽ không khởi động. Để khởi động dụng cụ, nhả cần khởi động công tắc ra, và sau đó kéo cần khởi động công tắc.

LẮP RÁP

⚠ THẬN TRỌNG: Luôn đảm bảo rằng đã tắt dụng cụ và tháo hộp pin ra trước khi thực hiện bất cứ thao tác nào trên dụng cụ.

Lắp tay cầm hồng

⚠ THẬN TRỌNG: Siết nắp hoặc tay cầm hồng thật chặt. Nếu không, nắp trước có thể rơi ra và gây chấn thương.

Tháo phần nắp và bắt vít tay cầm hồng trên dụng cụ thật chặt.

Tay cầm hồng có thể được gắn ở cả hai bên của dụng cụ.

► **Hình6:** 1. Nắp 2. Tay cầm hồng

Lắp tấm đặt lót

⚠ THẬN TRỌNG: Đảm bảo rằng tấm đặt lót được cố định đúng cách. Phụ tùng bị lỏng sẽ bị mất cân bằng và gây rung động quá mức có thể gây ra mất kiểm soát.

⚠ THẬN TRỌNG: Tuyệt đối không kích hoạt khóa trục khi trục quay đang chuyển động. Dụng cụ có thể bị hư hỏng.

LƯU Ý: Thường xuyên làm sạch các phụ kiện và trục quay để loại bỏ bụi bẩn và mảnh vụn. Lau sạch các bộ phận bằng khăn thấm nước xà phòng nếu cần.

Hệ thống hook-and-loop (móc và xoay)

Nhấn khóa trục để ngăn quay trục quay và luồn tấm đặt lót vào trục quay. Siết chặt bằng tay.

► **Hình7:** 1. Khóa trục 2. Trục quay 3. Tấm đặt lót

Để tháo tấm đặt lót, hãy làm ngược lại quy trình lắp vào.

Hệ thống vận vào/vận ra

Vận tấm đặt lót vào bộ chuyển đổi. Sau đó luồn đầu kia của bộ chuyển đổi vào trục quay trong khi nhấn vào khóa trục. Siết chặt bằng tay.

► **Hình8:** 1. Tấm đặt lót 2. Bộ chuyển đổi 3. Khóa trục 4. Trục quay

Để tháo tấm đặt lót, hãy làm ngược lại quy trình lắp vào.

Lắp đặt hoặc tháo tấm đánh bóng

⚠ THẬN TRỌNG: Chỉ sử dụng các tấm mút có đặt lót được cân thẳng hàng (móc và xoay) để đánh bóng.

⚠ THẬN TRỌNG: Đảm bảo rằng tấm mút và tấm đặt lót được cân thẳng hàng và được gắn chặt. Nếu không thì tấm mút sẽ gây ra rung động quá mức và có thể gây ra mất kiểm soát hoặc tấm mút có thể bị rơi ra khỏi dụng cụ.

Loại bỏ tất cả bụi bẩn và vật thể lạ từ hệ thống hook-and-loop (móc và xoay) của tấm mút và tấm đặt lót. Gắn tấm mút vào tấm đặt lót sao cho các cạnh của chúng được cân thẳng hàng.

Để tháo tấm mút ra khỏi tấm đặt lót, chỉ cần kéo lên khỏi cạnh của nó.

► **Hình9:** 1. Tấm mút 2. Tấm đặt lót

Lắp đĩa nhám

Phụ kiện tùy chọn

⚠ THẬN TRỌNG: Chỉ sử dụng đĩa có hệ thống vận vào/vận ra để chà nhám.

Lựa chọn đĩa

⚠ THẬN TRỌNG: Đường kính bên ngoài của phụ kiện phải nằm trong định mức công suất của dụng cụ máy.

⚠ THẬN TRỌNG: Tốc độ định mức của phụ kiện phải bằng hoặc cao hơn tốc độ tối đa được khắc trên dụng cụ máy.

Luôn sử dụng đĩa mài có kích thước chính xác được sản xuất từ vật liệu mài thích hợp với kích thước hạt cát mài mòn phù hợp cho công việc của bạn.

Vật liệu đĩa nhám

Vật liệu mài	Tính năng cơ bản	Ứng dụng thực tế
Oxit nhôm	Tốt nhất cho thép, thép không gỉ và kim loại. Vật liệu mài tinh thể đơn có độ dai và độ bền cao.	Chà nhám nhanh Hầu hết các công việc với kim loại
Alumina Zirconium	Tốt nhất cho INOX và kim loại. Vật liệu mài cực kỳ sắc bén và cứng với độ bền cao.	Loại bỏ sơn khỏi ô tô và tàu thuyền, v.v...
Gốm	Tốt nhất cho INOX, kim loại và vật liệu màu. Cực kỳ sắc bén và khả năng chống sốc/nhiệt/ăn mòn cao.	Gia công kim loại nói chung

Kích thước hạt cát mài mòn

Hạt cát mài mòn	Ứng dụng thực tế
24/36 (thô)	Loại bỏ phần thừa lớn
60/80	Loại bỏ phần thừa trung bình
120 (mịn)	Hoàn thiện

Lắp hoặc tháo đĩa nhám

⚠ THẬN TRỌNG: Đảm bảo rằng tấm đặt lót được cố định đúng cách. Phụ tùng bị lỏng sẽ bị mất cân bằng và gây rung động quá mức có thể gây ra mất kiểm soát.

Loại bỏ tất cả bụi bẩn và vật thể lạ ra khỏi tấm đặt lót. Luôn đĩa nhám vào tấm đặt lót trong khi nhấn vào khóa trục. Siết chặt bằng tay.

Để tháo đĩa nhám ra khỏi tấm đặt lót, hãy thực hiện ngược lại quy trình lắp vào.

► **Hình10:** 1. Đĩa nhám 2. Tấm đặt lót

VẬN HÀNH

⚠ THẬN TRỌNG: Chỉ sử dụng tấm mút chính hãng của Makita để đánh bóng.

⚠ THẬN TRỌNG: Chỉ sử dụng đĩa nhám chính hãng của Makita để chà nhám (phụ kiện tùy chọn).

⚠ THẬN TRỌNG: Đảm bảo rằng các vật liệu gia công đều chặt và cố định. Vật rơi có thể gây thương tích cá nhân.

⚠ THẬN TRỌNG: Giữ chặt dụng cụ bằng một tay để trên tay cầm gắn công tắc và tay kia để trên tay cầm hông khi thao tác với dụng cụ.

⚠ THẬN TRỌNG: Không chạy dụng cụ ở tải trọng cao suốt một khoảng thời gian kéo dài. Điều này có thể dẫn đến hỏng hóc dụng cụ và gây điện giật, hỏa hoạn và/hoặc thương tích nghiêm trọng.

⚠ THẬN TRỌNG: Cần thận không chạm vào phần xoay.

⚠ THẬN TRỌNG: Trước khi vận hành dụng cụ, đảm bảo tay cầm hông hoặc nắp không bị rơi lỏng. Nếu tay cầm hông hoặc nắp bị rơi lỏng, nắp trước có thể rơi ra và gây thương tích.

CHÚ Ý: Không bao giờ nhấn mạnh dụng cụ. Áp lực quá nhiều có thể dẫn đến hiệu suất đánh bóng bị giảm, tấm mút bị hỏng, hoặc làm giảm tuổi thọ của dụng cụ.

CHÚ Ý: Tiếp tục vận hành với tốc độ cao có thể làm hỏng bề mặt công tác.

Vận hành chung

► Hình11

1. Đảm bảo rằng phôi gia công được đỡ đúng cách và cả hai tay đều trống không để điều khiển công cụ.
2. Giữ chặt dụng cụ bằng một tay để trên tay cầm gần công tắc và tay kia để trên tay cầm hồng.
3. Bật dụng cụ, để đĩa mài đạt tốc độ tối đa, sau đó cẩn thận bắt đầu vận hành di chuyển dụng cụ về phía trước trên bề mặt phôi gia công.
4. Sau khi hoàn thiện, hãy tắt dụng cụ và đợi cho đến khi đĩa mài dừng hoàn toàn trước khi đặt dụng cụ xuống.

Thao tác đánh bóng

► Hình12

1. Xử lý bề mặt

Sử dụng một tấm len để hoàn thiện thô rồi sử dụng một tấm bọt biển để hoàn thiện tinh.

2. Bôi sáp

Sử dụng một tấm bọt biển. Bôi sáp lên tấm bọt biển hoặc bề mặt công tác. Chạy dụng cụ ở tốc độ thấp để dần đều sáp.

⚠ THẬN TRỌNG: Không bôi quá nhiều sáp hoặc chất đánh bóng. Điều này sẽ sinh ra nhiều bụi hơn và có thể gây các bệnh mắt hoặc hô hấp.

LƯU Ý: Trước tiên, thực hiện đánh sáp thử trên phần khuất của bề mặt công tác. Đảm bảo rằng dụng cụ sẽ không làm trầy xước bề mặt hoặc dẫn đến đánh sáp không đều.

3. Gỡ sáp

Sử dụng một tấm bọt biển. Chạy dụng cụ để gỡ sáp.

4. Đánh bóng

Nhẹ nhàng gắn tấm bọt biển vào bề mặt công tác.

Thao tác chà nhám

⚠ THẬN TRỌNG: Tuyệt đối không bật dụng cụ lên khi dụng cụ đang tiếp xúc với phôi gia công, điều này có thể gây thương tích cho người vận hành.

⚠ THẬN TRỌNG: Tuyệt đối không vận hành dụng cụ mà không có đĩa nhám. Bạn có thể gây hư hỏng nghiêm trọng cho tấm mát.

⚠ THẬN TRỌNG: Luôn luôn mang kính bảo hộ hoặc mặt nạ bảo vệ mặt trong khi vận hành.

⚠ THẬN TRỌNG: Sau khi vận hành, luôn tắt dụng cụ và chờ đến khi đĩa dừng hoàn toàn trước khi đặt dụng cụ xuống.

► Hình13

LUÔN cầm chắc dụng cụ bằng một tay đặt lên tay cầm sau và tay kia đặt lên tay nắm hồng. Bật dụng cụ lên và sau đó sử dụng đĩa nhám cho vật gia công.

Nói chung, hãy giữ đĩa nhám ở một góc khoảng 15 độ so với bề mặt vật gia công.

Án xuống bằng một lực nhỏ. Án mạnh quá mức sẽ dẫn đến hiệu suất kém và hao mòn quá sớm đối với đĩa nhám.

BẢO TRÌ

⚠ THẬN TRỌNG: Hãy luôn chắc chắn rằng dụng cụ đã được tắt và hộp pin đã được tháo ra trước khi cố gắng thực hiện việc kiểm tra hay bảo dưỡng.

CHÚ Ý: Không được phép dùng xăng, ét xăng, dung môi, cồn hoặc hóa chất tương tự. Có thể xảy ra hiện tượng mất màu, biến dạng hoặc nứt vỡ.

Để đảm bảo ĐỘ AN TOÀN và ĐỘ TIN CẬY của sản phẩm, việc sửa chữa hoặc bất cứ thao tác bảo trì, điều chỉnh nào đều phải được thực hiện bởi các Trung tâm Dịch vụ Nhà máy hoặc Trung tâm được Makita Ủy quyền và luôn sử dụng các phụ tùng thiết bị thay thế của Makita.

Vệ sinh tấm chắn bụi

► Hình14: 1. Tấm chắn bụi

Thường xuyên vệ sinh tấm chắn bụi trên lỗ hút khí để lưu thông khí trơn tru. Tháo tấm chắn bụi và làm sạch mặt lưới.

PHỤ KIỆN TỰY CHỌN

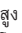

⚠ THẬN TRỌNG: Các phụ kiện hoặc phụ tùng gắn thêm này được khuyến cáo sử dụng với dụng cụ Makita của bạn theo như quy định trong hướng dẫn này. Việc sử dụng bất cứ phụ kiện hoặc phụ tùng gắn thêm nào khác đều có thể gây ra rủi ro thương tích cho người. Chỉ sử dụng phụ kiện hoặc phụ tùng gắn thêm cho mục đích đã quy định sẵn của chúng.

Nếu bạn cần bất kỳ sự hỗ trợ nào để biết thêm chi tiết về các phụ tùng này, hãy hỏi Trung tâm Dịch vụ của Makita tại địa phương của bạn.

- Tấm len
- Tấm bọt biển (màu vàng)
- Tấm bọt biển (màu trắng)
- Tấm xóa
- Tấm vận vào/vận ra
- Pin và bộ sạc chính hãng của Makita

LƯU Ý: Một số mục trong danh sách có thể được bao gồm trong gói dụng cụ làm phụ kiện tiêu chuẩn. Các mục này ở mỗi quốc gia có thể khác nhau.

ข้อมูลจำเพาะ

รุ่น:	PV301D	
ความสามารถสูงสุด	แผ่นตัดผ้าขนสัตว์	80 mm
	แผ่นตัดพองน้ำ	80 mm
	แผ่นกระดาษทราย	50 mm
เส้นผ่านศูนย์กลางของแผ่นรองหลังกระดาษทราย	สำหรับการตัด	46 mm
	สำหรับการตัดเงา	75 mm
อัตราความเร็ว (n) / ความเร็วหมุนเปล่า (n ₀)	สูง (2 ): โหมดตัด	0 - 9,500 min ⁻¹
	ต่ำ (1 ): โหมดตัดเงา	0 - 2,800 min ⁻¹
ความยาวโดยรวม	139 mm *1	
แรงดันไฟฟ้าสูงสุด	D.C. 10.8 V - 12 V สูงสุด	
น้ำหนักสุทธิ	1.1 - 1.2 kg	

*1. รวมด้ามแบตเตอรี่ (BL1041B)

- เนื่องจากการค้นคว้าวิจัยและพัฒนาอย่างต่อเนื่อง ข้อมูลจำเพาะในเอกสารฉบับนี้อาจเปลี่ยนแปลงได้โดยไม่ต้องแจ้งให้ทราบล่วงหน้า
- ข้อมูลจำเพาะและด้ามแบตเตอรี่อาจแตกต่างกันไปในแต่ละประเทศ
- น้ำหนักอาจแตกต่างกันไปตามอุปกรณ์เสริม รวมถึงด้ามแบตเตอรี่ การติดอุปกรณ์เสริมที่เบาที่สุดและหนักที่สุดตามข้อบังคับของ EPTA 01/2014 มีแสดงอยู่ในตาราง

ด้ามแบตเตอรี่และเครื่องชาร์จที่ใช้ได้

ด้ามแบตเตอรี่	BL1016 / BL1021B / BL1041B
เครื่องชาร์จ	DC10SA / DC10SB / DC10WC / DC10WD / DC18RE

- ด้ามแบตเตอรี่และเครื่องชาร์จบางรายการที่แสดงอยู่ด้านบนอาจไม่มีวางจำหน่ายขึ้นอยู่กับภูมิภาคที่คุณอาศัยอยู่

คำเตือน: ใช้ด้ามแบตเตอรี่และเครื่องชาร์จที่ระบุไว้ข้างบนเท่านั้น การใช้ด้ามแบตเตอรี่และเครื่องชาร์จประเภทอื่นอาจก่อให้เกิดความเสี่ยงที่จะได้รับบาดเจ็บและ/หรือเกิดไฟไหม้

สัญลักษณ์

ต่อไปนี้เป็นสัญลักษณ์ที่อาจใช้สำหรับอุปกรณ์ โปรดศึกษาความหมายของสัญลักษณ์ให้เข้าใจก่อนการใช้งาน



อ่านคู่มือการใช้งาน



สวมแว่นตานิรภัย



NI-MH
Li-ion

สำหรับประเทศในสหภาพยุโรปเท่านั้น ห้ามทิ้งอุปกรณ์ไฟฟ้าหรือชุดแบตเตอรี่รวมกับขยะครัวเรือนทั่วไป เพื่อให้เป็นไปตามกฎระเบียบของยุโรปเกี่ยวกับขยะจำพวกอุปกรณ์ไฟฟ้าและอิเล็กทรอนิกส์ และขยะจำพวกแบตเตอรี่และหม้อสะสมไฟฟ้า และการปฏิบัติตามกฎหมายในประเทศ ต้องเก็บอุปกรณ์ไฟฟ้าและแบตเตอรี่และชุดแบตเตอรี่ทั้งหมดอายุการใช้งานแล้วแยกต่างหาก และส่งกลับไปยังศูนย์รีไซเคิลที่เป็นมิตรต่อสิ่งแวดล้อม

จุดประสงค์การใช้งาน

เครื่องมือนี้มียุติประสงค์เพื่อใช้ขุดเจาะ ขุดเรียบก่อนการทำ ลี ขุดพื้นผิวเพื่อเก็บงาน และนำสิ่งสกปรกและคราบสีออก จากชิ้นงาน

คำเตือนด้านความปลอดภัย

คำเตือนด้านความปลอดภัยของเครื่องมือไฟฟ้าทั่วไป

คำเตือน: โปรดอ่านคำเตือนด้านความปลอดภัย คำแนะนำ ภาพประกอบ และข้อมูลจำเพาะต่างๆ ที่มากับเครื่องมือไฟฟ้าอย่างละเอียด การไม่ปฏิบัติตามคำแนะนำดังต่อไปนี้ อาจส่งผลให้เกิดไฟฟ้าช็อต ไฟไหม้ และ/หรือได้รับบาดเจ็บอย่างร้ายแรงได้

เก็บรักษาคำเตือนและคำแนะนำทั้งหมดไว้เป็นข้อมูลอ้างอิงในอนาคต

คำว่า "เครื่องมือไฟฟ้า" ในคำเตือนนี้หมายถึงเครื่องมืองไฟฟ้า (มีสาย) ที่ทำงานโดยใช้กระแสไฟฟ้าหรือเครื่องมือไฟฟ้า (ไร้สาย) ที่ทำงานโดยใช้แบตเตอรี่

ความปลอดภัยของพื้นที่ทำงาน

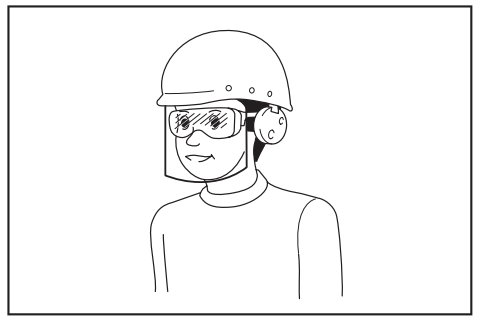
1. ดูแลพื้นที่ทำงานให้มีความสะอาดและมีแสงไฟสว่าง พื้นที่ที่ระเกะระกะหรือมืดที่บอานำไปสู่การเกิดอุบัติเหตุได้
2. อย่าใช้งานเครื่องมือไฟฟ้าในสภาพที่อาจเกิดการระเบิด เช่น ในสถานที่ที่มีของเหลว ก๊าซ หรือฝุ่นผงที่มีคุณสมบัติไวไฟ เครื่องมือไฟฟ้าอาจสร้างประกายไฟและจุดชนวนฝุ่นผงหรือก๊าซดังกล่าว
3. ดูแลไม่ให้มีเด็กๆ หรือบุคคลอื่นอยู่ในบริเวณที่กำลังใช้เครื่องมือไฟฟ้า การมีสิ่งรบกวนสมาธิอาจทำให้คุณสูญเสียการควบคุม

ความปลอดภัยด้านไฟฟ้า

1. ปลั๊กของเครื่องมือไฟฟ้าต้องพอดีกับเต้ารับ อย่าดัดแปลงปลั๊กไม่ว่ากรณีใดๆ อย่าใช้ปลั๊กอะแดปเตอร์กับเครื่องมือไฟฟ้าที่ต่อสายดิน ปลั๊กที่ไม่ถูกดัดแปลงและเต้ารับที่เข้ากันพอดีจะช่วยลดความเสี่ยงของการเกิดไฟฟ้าช็อต
2. ระมัดระวังอย่าให้ร่างกายสัมผัสกับพื้นผิวที่ต่อสายดิน เช่น ท่อ เครื่องนำความร้อน เต่างุ้งต้ม และตู้เย็น มีความเสี่ยงที่จะเกิดไฟฟ้าช็อตสูงขึ้น หากร่างกายของคุณสัมผัสกับพื้น
3. อย่าให้เครื่องมือไฟฟ้าถูกน้ำหรืออยู่ในสภาพเปียกชื้น น้ำที่ไหลเข้าไปในเครื่องมือไฟฟ้าจะเพิ่มความเสี่ยงของการเกิดไฟฟ้าช็อต
4. อย่าใช้สายไฟอย่างไม่เหมาะสม อย่าใช้สายไฟเพื่อยก ดึง หรือถอดปลั๊กเครื่องมือไฟฟ้า เก็บสายไฟให้ห่างจากความร้อน น้ำมัน ของมีคม หรือชิ้นส่วนที่เคลื่อนที่ สายที่ชำรุดหรือพันกันจะเพิ่มความเสี่ยงของการเกิดไฟฟ้าช็อต
5. ขณะที่ใช้งานเครื่องมือไฟฟ้านอกอาคาร ควรใช้สายต่อพ่วงที่เหมาะสมกับงานภายนอกอาคาร การใช้สายที่เหมาะสมกับงานภายนอกอาคารจะลดความเสี่ยงของการเกิดไฟฟ้าช็อต
6. หากต้องใช้งานเครื่องมือไฟฟ้าในสถานที่เปียกชื้น ให้ใช้อุปกรณ์ป้องกันกระแสไฟรั่ว (RCD) การใช้ RCD จะลดความเสี่ยงของการเกิดไฟฟ้าช็อต
7. เครื่องมือไฟฟ้าอาจสร้างสนามแม่เหล็ก (EMF) ที่ไม่เป็นอันตรายต่อผู้ใช้ อย่างไรก็ตาม ผู้ใช้ที่ใส่เครื่องกระตุ้นหัวใจและอุปกรณ์ทางการแพทย์ที่คล้ายกันนี้ ควรติดต่อผู้ผลิตอุปกรณ์และ/หรือแพทย์เพื่อรับคำแนะนำก่อนใช้งานเครื่องมือไฟฟ้านี้

ความปลอดภัยส่วนบุคคล

1. ให้ระมัดระวังและมีสติอยู่เสมอขณะใช้งานเครื่องมือไฟฟ้า อย่าใช้งานเครื่องมือไฟฟ้าในขณะที่คุณกำลังเหนื่อย หรือในสภาพที่มีเมฆจากยาเสพติด เครื่องดื่ม แอลกอฮอล์ หรือการเข้ายา ช่วงเวลาที่ขาดความระมัดระวังเมื่อกำลังใช้งานเครื่องมือไฟฟ้าอาจทำให้ได้รับบาดเจ็บร้ายแรง
2. ใช้อุปกรณ์ป้องกันส่วนบุคคล สวมแว่นตาป้องกันเสมอ อุปกรณ์ป้องกัน เช่น หน้ากากกันฝุ่น รองเท้านิรภัย กันลื่น หมวกนิรภัย หรือเครื่องป้องกันการได้ยินที่ใช้ในสภาพที่เหมาะสมจะช่วยลดการบาดเจ็บ
3. ป้องกันไม่ให้เกิดการเปิดใช้งานโดยไม่ตั้งใจ ตรวจสอบให้แน่ใจว่าสวิตช์ปิดอยู่ก่อนที่จะเชื่อมต่อกับแหล่งจ่ายไฟ และ/หรือชุดแบตเตอรี่ รวมทั้งตรวจสอบก่อนการยกหรือเคลื่อนย้ายเครื่องมือ การถอดนิ้วมือบริเวณสวิตช์เพื่อถ่วงเครื่องมือไฟฟ้า หรือการชาร์จไฟเครื่องมือไฟฟ้าในขณะที่เปิดสวิตช์อยู่อาจนำไปสู่การเกิดอุบัติเหตุ
4. นำกุญแจปรับตั้งหรือประแจออกก่อนที่จะเปิดเครื่องมือไฟฟ้า ประแจหรือกุญแจที่เสียบค้างอยู่ในชิ้นส่วนที่หมุนได้ของเครื่องมือไฟฟ้าอาจทำให้ได้รับบาดเจ็บ
5. อย่าทำงานในระบะที่มืดอึม จัดท่าการยืนและการทรงตัวให้เหมาะสมตลอดเวลา เพราะจะทำให้ควบคุมเครื่องมือไฟฟ้าได้ดีขึ้นในสถานการณ์ที่ไม่คาดคิด
6. แต่งกายให้เหมาะสม อย่าสวมเครื่องแต่งกายที่หลวมเกินไป หรือสวมเครื่องประดับ ดูแลไม่ให้เส้นผมและเสื้อผ้าอยู่ใกล้ชิ้นส่วนที่เคลื่อนที่ เสื้อผ้ารุ่มร่าม เครื่องประดับ หรือผมที่มีความยาวอาจเข้าไปติดในชิ้นส่วนที่เคลื่อนที่
7. หากมีการจัดอุปกรณ์สำหรับดูดและจัดเก็บฝุ่นไว้ในสถานที่ ให้ตรวจสอบว่าได้เชื่อมต่อและใช้งานอุปกรณ์นั้นอย่างเหมาะสม การใช้เครื่องดูดและจัดเก็บฝุ่นจะช่วยลดอันตรายที่เกิดจากฝุ่นผงได้
8. อย่าให้ความดันเคຍจากการใช้งานเครื่องมือเป็นประจำทำให้คุณทำตัวตามสบายและละเลยหลักการเพื่อความปลอดภัยในการใช้เครื่องมือ การกระทำที่ไม่ระมัดระวังอาจทำให้เกิดการบาดเจ็บร้ายแรงภายในเสี้ยววินาที
9. สวมใส่แว่นครอบตานิรภัยเพื่อปกป้องดวงตาของคุณจากการบาดเจ็บเมื่อใช้เครื่องมือไฟฟ้า แว่นครอบตาจะต้องได้มาตรฐาน ANSI Z87.1 ในสหรัฐอเมริกา, EN 166 ในยุโรป หรือ AS/NZS 1336 ในออสเตรเลีย/นิวซีแลนด์ ในออสเตรเลีย/นิวซีแลนด์ จะต้องสวมเกราะป้องกันใบหน้าเพื่อปกป้องใบหน้าของคุณอย่างถูกต้องตามกฎหมายด้วย



ผู้ว่าจ้างมีหน้าที่รับผิดชอบในการบังคับผู้ใช้งานเครื่องมือและบุคคลอื่นๆ ที่อยู่ในบริเวณที่ปฏิบัติงานให้ใช้อุปกรณ์ป้องกันที่เหมาะสม

การใช้และดูแลเครื่องมือไฟฟ้า

1. อย่าฝืนใช้เครื่องมือไฟฟ้า ใช้เครื่องมือไฟฟ้าที่เหมาะสมกับการใช้งานของคุณ เครื่องมือไฟฟ้าที่เหมาะสมจะทำให้ได้งานที่มีประสิทธิภาพและปลอดภัยกว่าตามขีดความสามารถของเครื่องที่ได้รับการออกแบบมา
2. อย่าใช้เครื่องมือไฟฟ้า หากสวิตช์ไม่สามารถเปิดปิดได้ เครื่องมือไฟฟ้าที่ควบคุมด้วยสวิตช์ไม่ได้เป็นสิ่งอันตรายและต้องได้รับการซ่อมแซม
3. ถอดปลั๊กจากแหล่งจ่ายไฟ และ/หรือชุดแบตเตอรี่ออกจากเครื่องมือไฟฟ้าก่อนทำการปรับตั้ง เปลี่ยนอุปกรณ์เสริม หรือจัดเก็บเครื่องมือไฟฟ้า วิธีการป้องกันด้านความปลอดภัยดังกล่าวจะช่วยลดความเสี่ยงในการเปิดใช้งานเครื่องมือไฟฟ้าโดยไม่ตั้งใจ
4. จัดเก็บเครื่องมือไฟฟ้าที่ไม่ได้ใช้งานให้ห่างจากมือเด็ก และอย่าอนุญาตให้บุคคลที่ไม่คุ้นเคยกับเครื่องมือไฟฟ้าหรือคำแนะนำเหล่านี้ใช้งานเครื่องมือไฟฟ้า เครื่องมือไฟฟ้าจะเป็นอันตรายเมื่ออยู่ในมือของผู้ที่ไม่ได้รับการฝึกอบรม
5. บำรุงรักษาเครื่องมือไฟฟ้าและอุปกรณ์เสริม ตรวจสอบการประกอบที่ไม่ถูกต้องหรือการเชื่อมต่อของชิ้นส่วนที่เคลื่อนที่ การแตกหักของชิ้นส่วน หรือสภาพอื่นๆ ที่อาจส่งผลกระทบต่อการทำงานของเครื่องมือไฟฟ้า หากมีความเสียหายให้นำเครื่องมือไฟฟ้าไปซ่อมแซมก่อนการใช้งาน อุบัติเหตุจำนวนมากเกิดจากการดูแลรักษาเครื่องมือไฟฟ้าอย่างไม่ถูกต้อง
6. ทำความสะอาดเครื่องมือตัดและลับให้คมอยู่เสมอ เครื่องมือการตัดที่มีการดูแลอย่างถูกต้องและมีขอบการตัดคมมักจะมีปัญหาตัดชิ้นน้อยและควบคุมได้ง่ายกว่า

- ใช้เครื่องมือไฟฟ้า อุปกรณ์เสริม และวัสดุสิ้นเปลือง ฯลฯ ตามคำแนะนำดังกล่าว พิจารณาสภาพการทำงานและงานที่จะลงมือทำ การใช้เครื่องมือไฟฟ้าเพื่อทำงานอื่นนอกเหนือจากที่กำหนดไว้อาจทำให้เกิดอันตราย
- ดูลมมือจับและบริเวณมือจับให้แห้ง สะอาด และไม่มีน้ำมันและจาระบีเปื้อน มือจับและบริเวณมือจับที่ลื่นจะทำให้ไม่สามารถจับและควบคุมเครื่องมือได้อย่างปลอดภัยในสถานการณ์ที่ไม่คาดคิด
- ขณะใช้งานเครื่องมือ อย่าสวมใส่ถุงมือผ้าที่อาจเข้าไปติดในเครื่องมือได้ หากถุงมือผ้าเข้าไปติดในชิ้นส่วนที่กำลังเคลื่อนที่อยู่อาจทำให้ได้รับบาดเจ็บ

การใช้งานและดูแลเครื่องมือที่ใช้แบตเตอรี่

- ชาร์จไฟใหม่ด้วยเครื่องชาร์จที่ระบุโดยผู้ผลิตเท่านั้น เครื่องชาร์จที่เหมาะสมสำหรับชุดแบตเตอรี่ประเภทหนึ่งอาจเสี่ยงที่จะเกิดไฟไหม้หากนำไปใช้กับชุดแบตเตอรี่อีกประเภทหนึ่ง
- ใช้เครื่องมือไฟฟ้ากับชุดแบตเตอรี่ที่กำหนดมาโดยเฉพาะเท่านั้น การใช้ชุดแบตเตอรี่ประเภทอื่นอาจทำให้เสี่ยงที่จะได้รับบาดเจ็บและเกิดไฟไหม้
- เมื่อไม่ใช้งานชุดแบตเตอรี่ ให้เก็บห่างจากวัตถุที่เป็นโลหะอื่นๆ เช่น คลิปหนีบกระดาษ เหรียญ กุญแจ กรรไกรตัดเล็บ สกรู หรือวัตถุที่เป็นโลหะขนาดเล็กอื่นๆ ที่สามารถเชื่อมต่อชั่วคราวกับอีกขั้วหนึ่งได้ การลัดวงจรขั้วแบตเตอรี่อาจทำให้ร้อนจัดหรือเกิดไฟไหม้
- ในกรณีที่ใช้งานไม่ถูกต้อง อาจมีของเหลวไหลออกจากแบตเตอรี่ ให้หลีกเลี่ยงการสัมผัส หากสัมผัสโดนของเหลวโดยไม่ตั้งใจ ให้ล้างออกด้วยน้ำ หากของเหลวกระเด็นเข้าตา ให้รีบไปพบแพทย์ ของเหลวที่ไหลออกจากแบตเตอรี่อาจทำให้ผิวหนังระคายเคืองหรือไหม้
- ห้ามใช้ชุดแบตเตอรี่หรือเครื่องมือที่ชำรุดหรือมีการแก้ไข แบตเตอรี่ที่เสียหายหรือมีการแก้ไขอาจทำให้เกิดสิ่งที่ไม่ถึงได้ เช่น ไฟไหม้ ระเบิด หรือเสี่ยงต่อการบาดเจ็บ
- ห้ามให้ชุดแบตเตอรี่อยู่ใกล้ไฟ หรือบริเวณที่มีอุณหภูมิสูงเกิน หากโดนไฟ หรืออุณหภูมิสูงเกิน 130 °C อาจก่อให้เกิดการระเบิดได้
- กรุณาปฏิบัติตามคำแนะนำสำหรับการชาร์จไฟ และห้ามชาร์จแบตเตอรี่หรือเครื่องมือในบริเวณที่มีอุณหภูมิภายนอกเหนือไปจากที่ระบุในคำแนะนำ การชาร์จไฟที่ไม่เหมาะสม หรืออุณหภูมิภายนอกเหนือไปจากช่วงอุณหภูมิที่ระบุในคำแนะนำอาจทำให้แบตเตอรี่เสียหายและเป็นการเพิ่มความเสี่ยงในการเกิดไฟไหม้

การซ่อมบำรุง

- นำเครื่องมือไฟฟ้าเข้ารับบริการจากช่างซ่อมที่ผ่านการรับรองโดยช่างผู้เชี่ยวชาญเท่านั้น เพราะจะทำให้การใช้เครื่องมือไฟฟ้ามีความปลอดภัย
- ห้ามใช้ชุดแบตเตอรี่ที่เสียหาย ชุดแบตเตอรี่ที่ชำรุดเป็นชุดที่มาจากผู้ผลิต หรือผู้ให้บริการที่ได้รับอนุญาตเท่านั้น
- ปฏิบัติตามคำแนะนำในการหล่อลื่นและการเปลี่ยนอุปกรณ์เสริม

คำเตือนด้านความปลอดภัยของเครื่องขัด/ปัดเงาไร้สาย

คำเตือนด้านความปลอดภัยทั่วไปสำหรับการใช้งานขัดหรือขัดเงา:

- เครื่องมือไฟฟ้านี้ใช้สำหรับเป็นเครื่องขัดหรือเครื่องขัดเงา อ่านคำเตือนด้านความปลอดภัย คำแนะนำ ภาพประกอบ และข้อมูลจำเพาะทั้งหมดที่มาพร้อมกับเครื่องมือไฟฟ้านี้ หากไม่ปฏิบัติตามคำเตือนทั้งหมดด้านล่างนี้อาจส่งผลให้เกิดไฟช็อต ไฟไหม้ และ/หรือได้รับบาดเจ็บสาหัสได้
- ไม่แนะนำให้ใช้เครื่องมือไฟฟ้านี้ในการไส การใช้แปรงขัด หรือการตัด การทำงานที่เครื่องมือไฟฟ้าไม่ได้ระบุไว้นี้อาจทำให้เกิดอันตรายและทำให้ได้รับบาดเจ็บได้
- อย่าใช้อุปกรณ์เสริมที่ไม่ได้ออกแบบและแนะนำโดยผู้ผลิตเครื่องมือนี้ การที่อุปกรณ์เสริมต่างๆ สามารถติดตั้งเข้ากับเครื่องมือไฟฟ้าของคุณได้นั้นไม่ได้เป็นการรับประกันว่าจะสามารถใช้งานร่วมกับอุปกรณ์ดังกล่าวได้อย่างปลอดภัย
- อัตราความเร็วของอุปกรณ์เสริมนั้นอย่างน้อยต้องเท่ากับความเร็วสูงสุดที่ระบุไว้ในเครื่องมือไฟฟ้านี้ อุปกรณ์เสริมที่ทำงานด้วยความเร็วสูงกว่าอัตราความเร็วของตนเองอาจจะแตกหักหรือกระเด็นออกมาได้
- เส้นผ่านศูนย์กลางภายนอกและความหนาของอุปกรณ์เสริมของคุณจะต้องอยู่ในอัตราความสามารถของเครื่องมือไฟฟ้าของคุณ อุปกรณ์เสริมที่มีขนาดไม่เหมาะสมจะไม่สามารถควบคุมหรือป้องกันได้อย่างมีประสิทธิภาพ
- รูติดตั้งของอุปกรณ์เสริมต้องมีขนาดพอดีกับแกนหมุนของเครื่องมือ สำหรับอุปกรณ์เสริมที่ใช้การติดตั้งโดยแกน รูเสลาของอุปกรณ์เสริมต้องมีขนาดพอดีกับเส้นผ่านศูนย์กลางของแกน อุปกรณ์เสริมที่มีขนาดของส่วนติดตั้งไม่พอดีกับส่วนติดตั้งอุปกรณ์ของเครื่องมือไฟฟ้าจะทำให้ไม่สามารถทำงานได้อย่างสมดุล มีอาการสั่นมากเกินไป และอาจทำให้ไม่สามารถควบคุมได้

7. อย่าใช้อุปกรณ์เสริมที่มีความเสียหาย ก่อนการใช้งานทุกครั้ง โปรดตรวจสอบอุปกรณ์ต่างๆ เช่น ตรวจสอบการแตกชำรุด ฉีกขาด หรือสึกหรอของแผ่นรองหลังกระดาดทราย หากเครื่องมือไฟฟ้าหรืออุปกรณ์เสริมร่วงหล่น ให้ตรวจสอบหาความเสียหาย หรือติดตั้งอุปกรณ์เสริมที่ไม่มี ความเสียหาย หลังจากทำการตรวจสอบและติดตั้งอุปกรณ์เสริม ให้ตัวคุณเองและผู้อยู่ใกล้เคียงอยู่ห่างจากระนาบของอุปกรณ์เสริมที่กำลังหมุน และเปิดเครื่องมือไฟฟ้าที่ความเร็วหมุนเปล่าสูงสุดเป็นเวลาหนึ่งนาที โดยปกติแล้วอุปกรณ์เสริมที่เสียหายจะแตกออกจากกันในระหว่างการทดสอบนี้
 8. สวมอุปกรณ์ป้องกันส่วนบุคคล ขึ้นอยู่กับรูปแบบการใช้งานของคุณ ให้ใช้หมวก หน้กากันนริภัยหรือนวนนริภัย สวมหน้กากันนริภัยที่ป้องกันเสียง ดึงมือและผ้ากันเปื้อนที่สามารถป้องกันการกระเด็นของชิ้นงานได้ตามความเหมาะสม อุปกรณ์ป้องกันดวงตาจะต้องสามารถป้องกันฝุ่นหรือสิ่งสกปรกที่กระเด็นจากการทำงานได้ หน้กากันนริภัยหรือที่ช่วยหายใจจะต้องสามารถกรองอนุภาคที่เกิดจากการทำงานของคุณได้ การฟังเสียงดังมากๆ เป็นเวลานาน อาจทำให้ระบบการได้ยินเสียหายได้
 9. โปรดกันให้ผู้อื่นไม่เกี่ยวข้องอยู่ห่างจากบริเวณที่ปฏิบัติงานในระยยะปลอดภัย ผู้ที่เข้าพื้นที่ปฏิบัติงานจะต้องสวมอุปกรณ์ป้องกันส่วนบุคคล เศษชิ้นงานหรืออุปกรณ์ที่แตกหักอาจจะกระเด็นและก่อให้เกิดอาการบาดเจ็บในสถานที่รอบๆ บริเวณปฏิบัติงานได้
 10. ถือเครื่องมือไฟฟ้าบริเวณมือจับที่เป็นฉนวนเท่านั้น เมื่อทำงานที่เครื่องมือตัดอาจสัมผัสกับสายไฟที่ซ่อนอยู่ การสัมผัสกับสายไฟที่ “มีกระแสไฟฟ้าไหลผ่าน” จะทำให้ส่วนที่เป็นโลหะของเครื่องมือไฟฟ้าที่ไม่มีฉนวนหุ้ม “มีกระแสไฟฟ้าไหลผ่าน” และทำให้ผู้ปฏิบัติงานถูกไฟฟ้าช็อตได้
 11. อย่าวางเครื่องมือไฟฟ้าลงจนกว่าจะหยุดหมุนสนิท อุปกรณ์ที่กำลังหมุนอาจจะกระทบกับพื้นผิวและทำให้เครื่องมือไฟฟ้าหลุดมือคุณได้
 12. อย่าเปิดเครื่องมือไฟฟ้าเมื่อถือไว้ข้างตัวคุณ เนื่องจากการสัมผัสกับอุปกรณ์ที่กำลังหมุนโดยไม่ตั้งใจนั้นอาจพันกับเสื้อผ้าของคุณและดึงอุปกรณ์เข้าสู่ร่างกายของคุณได้
 13. โปรดทำความสะอาดบรรยากาศของเครื่องมือไฟฟ้าอย่างสม่ำเสมอ พัดลมของมอเตอร์จะดูดฝุ่นเข้าไปในตัวเครื่องและการมีผงโลหะในตัวเครื่องมากเกินไปอาจทำให้เกิดอันตรายจากกระแสไฟฟ้าได้
 14. อย่าใช้เครื่องมือไฟฟ้าใกล้ๆ วัสดุที่ติดไฟได้ เนื่องจากประกายไฟอาจทำให้วัสดุดังกล่าวติดไฟ
 15. อย่าใช้อุปกรณ์เสริมที่ต้องใช้ของเหลวเพื่อระบายความร้อน การใช้น้ำหรือของเหลวเพื่อระบายความร้อนอื่นๆ อาจทำให้เกิดไฟฟ้าดูดได้
- คำเตือนเกี่ยวกับการติดกลับและสิ่งที่เกี่ยวข้อง**
- การติดกลับคือการตอบสนองโดยฉับพลันเมื่อเกิดการสะดุดหรือติดขัดของลูกล้อ แผ่นหลัง แปรง หรืออุปกรณ์เสริมอื่นๆ ที่กำลังหมุน การสะดุดหรือการติดขัดจะทำให้ อุปกรณ์ที่กำลังหมุนปิกหัวลงอย่างรวดเร็วซึ่งเป็นสาเหตุให้เครื่องมือไฟฟ้าที่ไม่สามารถควบคุมได้เกิดแรงสะท้อนกลับไปยังทิศทางตรงข้ามกับการหมุน
- ตัวอย่างเช่น หากลูกล้อขี้นในสะดุดหรือติดขัดกับชิ้นงานขอบของลูกล้อที่เข้าไปยังจุดติดขัดจะเจาะเข้าไปยังพื้นผิวของวัสดุและทำให้ลูกล้อติดตัวขึ้นมา ลูกล้อดังกล่าวอาจจะกระเด็นเข้าหาหรือออกห่างตัวผู้ปฏิบัติงาน ทั้งนี้ขึ้นอยู่กับทิศทางการหมุนของลูกล้อเมื่อเกิดการสะดุด ในกรณีดังกล่าว ลูกล้อขัดอาจจะแตกหักได้ด้วย
- การติดกลับเป็นผลมาจากการใช้เครื่องมือไฟฟ้าผิดจุดประสงค์ และ/หรือ การใช้ผิดวิธี และสามารถป้องกันได้โดยใช้วิธีการป้องกันดังต่อไปนี้
1. จับตามจับเครื่องมือไฟฟ้าให้แน่นและจัดตำแหน่งร่างกายและแขนให้สามารถต้านทานแรงติดกลับได้ ใช้มือจับเสริมเสมอ ถ้ามี เพื่อให้สามารถควบคุมการติดกลับหรือการสะท้อนของแรงบิดในระหว่างการเริ่มทำงานได้อย่างมีประสิทธิภาพ ผู้ปฏิบัติงานจะสามารถควบคุมแรงสะท้อนของแรงบิดหรือแรงปัดกลับได้หากดำเนินการป้องกันอย่างเหมาะสม
 2. อย่าเอามือไว้ใกล้อุปกรณ์หมุน อุปกรณ์ดังกล่าวอาจติดกลับใส่มือคุณได้
 3. อย่าอยู่ในบริเวณที่อาจจะโดนเครื่องมือหากมีการติดกลับเกิดขึ้น การติดกลับจะทำให้เครื่องมือสะบัดไปยังทิศทางตรงกันข้ามของการเคลื่อนไหวของลูกล้อเมื่อเกิดการสะดุด
 4. ใช้ความระมัดระวังเป็นพิเศษเพื่อปฏิบัติงานกับมุมขอบที่มีความแหลมคม ฯลฯ หลีกเลี่ยงการกระแทกและการติดขัดของอุปกรณ์ มุม ขอบที่มีความแหลมคม หรือการกระแทกนั้นอาจทำให้เกิดการสะดุดของอุปกรณ์หมุนและทำให้เสียการควบคุมหรือการติดกลับได้
 5. อย่าติดตั้งใบมีดเลียนแบบไซหรือใบเลื่อยแบบซี่ ใบมีดแบบดังกล่าวมักจะทำให้เกิดการติดกลับและสูญเสียการควบคุม

คำเตือนด้านความปลอดภัยสำหรับการทำงานขัด:

1. อย่าใช้แผ่นกระดาษทรายที่มีขนาดใหญ่เกินไป ปฏิบัติตามคำแนะนำของผู้ผลิตเมื่อเลือกกระดาษทราย กระดาษทรายที่ใหญ่เกินไปจะยื่นออกมาเกินแผ่นขัด และจะทำให้เกิดการฉีกขาด เป็นสาเหตุของการสะดุด จานขรุขระ หรือการตีตกกลับได้

คำเตือนด้านความปลอดภัยเฉพาะสำหรับการทำงานขัดเงา:

1. อย่าให้ส่วนของปกของฟองน้ำขัดผิวที่ไม่แน่นหรือสายที่ติดมาหมุนไปมาอย่างอิสระ เล็มหรือเก็บส่วนที่หลวมของสายที่ติดมา สายที่ติดมาหลวมหรือหมุนไปมาอาจพันเข้ากับนิ้วมือของคุณหรือเข้าไปติดในชิ้นงานได้

คำเตือนด้านความปลอดภัยเพิ่มเติม:

1. ตรวจสอบให้แน่ใจว่าลูกกลิ้งนั้นไม่ได้สัมผัสกับชิ้นงานก่อนที่จะเปิดสวิตช์
2. ก่อนที่จะใช้เครื่องมือบนชิ้นงานจริง ปล่อยให้เครื่องมือทำงานเปล่าๆ สักครู่ ดูการสั่นสะเทือนหรือโยกโคลงที่อาจแสดงถึงการใส่และการให้สมดุลลูกกลิ้งที่ไม่ดีพอ
3. ใช้พื้นผิววงล้อที่ระบุในการขัดหรือขัดเงา
4. อย่าปล่อยให้เครื่องมือทำงานค้างไว้ ใช้งานเครื่องมือในขณะที่ถืออยู่เท่านั้น
5. ห้ามสัมผัสกับชิ้นงานทันทีที่ทำงานเสร็จ เนื่องจากชิ้นงานอาจมีความร้อนสูงและลวกผิวหนังของคุณได้
6. ห้ามสัมผัสกับอุปกรณ์เสริมทันทีหลังจากทำงานเสร็จ เนื่องจากอาจมีความร้อนสูงและอาจลวกผิวหนังของคุณได้
7. ปฏิบัติตามคำแนะนำของผู้ผลิตในการติดตั้งและการใช้ลูกกลิ้ง ใช้งานและจัดเก็บลูกกลิ้งด้วยความระมัดระวัง
8. ตรวจสอบว่าชิ้นงานมีสิ่งรบกวนหรือค้ำยันที่มั่นคง
9. พึงระลึกไว้เสมอว่าลูกกลิ้งจะยังคงหมุนต่อไปแม้ว่าจะปิดเครื่องมือแล้วก็ตาม
10. อย่าใช้เครื่องมือกับวัสดุที่มีรอยเหิน
11. อย่าใช้เครื่องมือทำงานแบบผ່าระหว่างการทำงาน เส้นใยจากถุงมือผ้าอาจเข้าไปในเครื่องมือ ซึ่งจะทำให้เครื่องมือเสียหายได้

ปฏิบัติตามคำแนะนำเหล่านี้

คำเตือน: อย่าให้ความไม่ระมัดระวังหรือความคุ้นเคยกับผลิตภัณฑ์ (จากการใช้งานซ้ำหลายครั้ง) อยู่เหนือการปฏิบัติตามกฎเกณฑ์ด้านความปลอดภัยในการใช้งานผลิตภัณฑ์อย่างเคร่งครัด การใช้งานอย่างไม่เหมาะสมหรือการไม่ปฏิบัติตามกฎเกณฑ์ด้านความปลอดภัยในคู่มือการใช้งานนี้อาจทำให้ได้รับบาดเจ็บร้ายแรง

คำแนะนำเพื่อความปลอดภัยที่สำคัญสำหรับดัลลิบแบตเตอร์

1. ก่อนใช้งานดัลลิบแบตเตอร์ ให้อ่านคำแนะนำและเครื่องหมายเตือนทั้งหมดบน (1) เครื่องชาร์จ แบตเตอรี่ (2) แบตเตอรี่ และ (3) ตัวผลิตภัณฑ์ที่ใช้ แบตเตอรี่
2. อย่าถอดแยกชิ้นส่วนหรือทำการดัดแปลงดัลลิบแบตเตอรี่ เนื่องจากอาจทำให้เกิดไฟไหม้ ความร้อนที่สูงเกินไป หรือระเบิดได้
3. หากระยะเวลาที่เครื่องทำงานสั้นเกินไป ให้หยุดใช้งานทันที เนื่องจากอาจมีความเสี่ยงที่จะร้อนจัด ไหม้หรือระเบิดได้
4. หากสารละลายอิเล็กโทรไลต์กระเด็นเข้าตา ให้ล้างออกด้วยน้ำเปล่าและรีบไปพบแพทย์ทันที เนื่องจากอาจทำให้ตาบอด
5. ห้ามลัดวงจรดัลลิบแบตเตอรี่:
 - (1) ห้ามแตะขั้วกับวัตถุที่เป็นสื่อนำไฟฟ้าใดๆ
 - (2) หลีกเลี่ยงการเก็บดัลลิบแบตเตอรี่ไว้ในภาชนะร่วมกับวัตถุที่เป็นโลหะ เช่น กรรไกรตัดเล็บ เหรียญ ฯลฯ
 - (3) อย่าให้ดัลลิบแบตเตอรี่ถูกน้ำหรือฝนแบตเตอรี่ลัดวงจรอาจทำให้เกิดการไหลของกระแสไฟฟ้า ร้อนจัด ไหม้หรือเสียหายได้
6. ห้ามเก็บและใช้เครื่องมือและดัลลิบแบตเตอรี่ไว้ในสถานที่ที่อุณหภูมิสูงถึงหรือเกิน 50 °C (122 °F)
7. ห้ามเผาถลับแบตเตอรี่ทิ้ง แม้ว่าแบตเตอรี่จะเสียหายจนใช้การไม่ได้หรือเสื่อมสภาพแล้ว ดัลลิบแบตเตอรี่อาจจะระเบิดในกองไฟ
8. อย่าถอดตะปู ตัด บด ขว้าง หรือทำดัลลิบแบตเตอรี่ หล่นพื้น หรือกระแทกดัลลิบแบตเตอรี่กับวัตถุของแข็ง การกระทำดังกล่าวอาจส่งผลให้เกิดไฟไหม้ ความร้อนที่สูงเกินไป หรือระเบิดได้
9. ห้ามใช้แบตเตอรี่ที่เสียหาย
10. แบตเตอรี่ลิเทียมไอออนที่มีมาให้นั้นเป็นไปตามข้อกำหนดของ Dangerous Goods Legislation สำหรับการขนส่งเพื่อการพาณิชย์ เช่น โดยบุคคลที่สาม ตัวแทนขนส่งสินค้า จะต้องตรวจสอบข้อกำหนดพิเศษในด้านการบรรจุหีบห่อหรือการติดป้ายสินค้าในการเตรียมสินค้าที่จะขนส่ง ให้ปรึกษาผู้เชี่ยวชาญด้านวัตถุอันตราย โปรดตรวจสอบข้อกำหนดในประเทศที่อาจมีรายละเอียดอื่น ๆ เพิ่มเติม ให้ติดเทปหรือปิดหน้าสัมผัสและห่อแบตเตอรี่ในลักษณะที่แบตเตอรี่จะไม่เคลื่อนที่ไปมาในหีบห่อ

- เมื่อกำลังตัดลับแบตเตอรี่ ให้ถอดด้ามแบตเตอรี่ออกจากเครื่องมือและกำจัดในสถานที่ที่ปลอดภัย ปฏิบัติตามข้อบังคับในท้องถิ่นที่เกี่ยวกับการกำจัดแบตเตอรี่
- ใช้แบตเตอรี่กับผลิตภัณฑ์ที่ระบุโดย Makita เท่านั้น การติดตั้งแบตเตอรี่ในผลิตภัณฑ์ที่ไม่ใช่ตามที่ระบุอาจทำให้เกิดไฟไหม้ ความร้อนสูง ระเบิด หรืออิเล็กทรอนิกส์รั่วไหลได้
- หากไม่ใช้เครื่องมือเป็นระยะเวลานาน จะต้องถอดแบตเตอรี่ออกจากเครื่องมือ
- ในระหว่างและหลังการใช้งาน ด้ามแบตเตอรี่อาจร้อน ซึ่งอาจลวกผิวหรือทำให้ผิวหนังไหม้ที่อุณหภูมิต่ำไปตรงระดับครึ่งในการจัดการกับแบตเตอรี่ที่ร้อน
- อย่าสัมผัสขั้วของเครื่องมือทันทีหลังจากการใช้งาน เนื่องจากอาจมีความร้อนพอที่จะทำให้ผิวหนังไหม้ได้
- อย่าปล่อยให้เศษวัสดุ ฝุ่นผง หรือดินเข้าไปติดอยู่ในขั้ว รู และร่องของด้ามแบตเตอรี่ เนื่องจากอาจทำให้เครื่องมือหรือด้ามแบตเตอรี่มีประสิทธิภาพลดลงหรือเสียหายได้
- หากเครื่องมือไม่รองรับสายไฟแรงดันสูง อย่าใช้ด้ามแบตเตอรี่ใกล้กับสายไฟแรงดันสูง เนื่องจากเครื่องมือหรือด้ามแบตเตอรี่อาจทำงานผิดปกติหรือเสียหายได้
- เก็บแบตเตอรี่ให้ห่างจากเด็ก

ปฏิบัติตามคำแนะนำเหล่านี้

⚠ ข้อควรระวัง: ใช้แบตเตอรี่ของแท้จาก Makita เท่านั้น การใช้แบตเตอรี่ Makita ที่ไม่แท้ หรือแบตเตอรี่ที่ถูกเปลี่ยน อาจทำให้แบตเตอรี่ระเบิด ก่อให้เกิดเพลิงลุกไหม้ การบาดเจ็บ และความเสียหายได้ และจะทำให้การรับประกันของ Makita สำหรับเครื่องมือและแท่นชาร์จของ Makita เป็นโมฆะด้วย

คำอธิบายการทำงาน

⚠ ข้อควรระวัง: ตรวจสอบให้แน่ใจว่าได้ปิดสวิตช์เครื่องมือและถอดด้ามแบตเตอรี่ออกก่อนปรับตั้งหรือตรวจสอบการทำงานของเครื่องมือ

การใส่หรือการถอดด้ามแบตเตอรี่

⚠ ข้อควรระวัง: ปิดสวิตช์เครื่องมือก่อนทำการติดตั้งหรือการถอดด้ามแบตเตอรี่ทุกครั้ง

⚠ ข้อควรระวัง: ถอดเครื่องมือและด้ามแบตเตอรี่ให้แน่นในระหว่างการติดตั้งหรือการถอดด้ามแบตเตอรี่ หากไม่ถอดเครื่องมือและด้ามแบตเตอรี่ให้แน่น อาจทำให้ด้ามแบตเตอรี่และเครื่องมือลื่นหลุดมือ และทำให้เครื่องมือและด้ามแบตเตอรี่เสียหายหรือได้รับบาดเจ็บได้

▶ **หมายเลข 1:** 1. ซิลลี่แดง 2. ปุ่ม 3. ด้ามแบตเตอรี่

เมื่อต้องการถอดด้ามแบตเตอรี่ ให้เลื่อนปุ่มที่ด้านหน้าของด้ามแล้วดึงออกจากเครื่องมือ

เมื่อต้องการติดตั้งด้ามแบตเตอรี่ ให้จัดแนวสันบนด้ามแบตเตอรี่ให้ตรงกับร่องบนตัวเครื่องมือ แล้วเลื่อนด้ามแบตเตอรี่เข้าที่ ติดตั้งด้ามแบตเตอรี่เข้าจนสุดจนกระทั่งล็อกเข้าที่และได้ยินเสียงคลิก หากยังเห็นซิลลี่แดงที่ด้านบนของปุ่ม แสดงว่าด้ามแบตเตอรี่ยังไม่ล็อกเข้าที่

⚠ ข้อควรระวัง: ให้ดันด้ามแบตเตอรี่เข้าจนสุดจนไม่เห็นซิลลี่แดงอีก ไม่เช่นนั้น ด้ามแบตเตอรี่อาจหลุดออกจากเครื่องมือทำให้คุณหรือคนรอบข้างได้รับบาดเจ็บ

⚠ ข้อควรระวัง: อย่าฝืนติดตั้งด้ามแบตเตอรี่โดยใช้แรงมากเกินไป หากด้ามแบตเตอรี่ไม่เลื่อนเข้าไปโดยง่าย แสดงว่าใส่ไม่ถูกต้อง

เคล็ดลับในการรักษาอายุการใช้งานของ

แบตเตอรี่ให้ยาวนานที่สุด

- ชาร์จด้ามแบตเตอรี่ก่อนที่ไฟจะหมด หยุดการใช้งานแล้วชาร์จประจุไฟฟ้าใหม่ทุกครั้งเมื่อคุณรู้สึกว่าคุณประจักษ์กำลังลดลง
- อย่าชาร์จด้ามแบตเตอรี่ที่มีไฟเต็มแล้ว การชาร์จประจุไฟมากเกินไปอาจจะทำให้อายุการใช้งานของด้ามแบตเตอรี่สั้นลง
- ชาร์จประจุไฟฟ้าด้ามแบตเตอรี่ในห้องที่มีอุณหภูมิระหว่าง 10 °C - 40 °C ปล่อยให้ด้ามแบตเตอรี่เย็นลงก่อนที่จะชาร์จไฟ
- เมื่อไม่ใช้ด้ามแบตเตอรี่ ให้ถอดออกจากเครื่องมือหรือเครื่องชาร์จ

การระบุระดับพลังงานแบตเตอรี่ที่เหลืออยู่

สำหรับดรัมแบตเตอรี่ที่มีตัวแสดงสถานะเท่านั้น

► หมายเลข 2: 1. ไฟแสดงสถานะ 2. ปุ่มตรวจสอบ

กดปุ่ม ตรวจสอบ บนดรัมแบตเตอรี่เพื่อดูปริมาณแบตเตอรี่ที่เหลือ ไฟแสดงสถานะจะสว่างขึ้นเป็นเวลาสองสามวินาที

ไฟแสดงสถานะ		แบตเตอรี่ที่เหลือ
ไฟสว่าง	ดับ	
■ ■ ■ ■	□	75% ถึง 100%
■ ■ ■ □	□	50% ถึง 75%
■ ■ □ □	□	25% ถึง 50%
■ □ □ □	□	0% ถึง 25%

หมายเหตุ: ขึ้นอยู่กับสภาพการใช้งานและอุณหภูมิ โดยรอบ การแสดงสถานะอาจแตกต่างกันจากปริมาณแบตเตอรี่จริงเล็กน้อย

ระบบป้องกันเครื่องมือ/แบตเตอรี่

เครื่องมือมีระบบป้องกันเครื่องมือ/แบตเตอรี่ ระบบนี้จะตัดไฟที่ส่งไปยังมอเตอร์โดยอัตโนมัติเพื่อยืดอายุการใช้งาน เครื่องมือและแบตเตอรี่ เครื่องมือจะหยุดทำงานระหว่างการใช้งานโดยอัตโนมัติ หากเครื่องมือหรือแบตเตอรี่อยู่ภายใต้สถานการณ์ต่อไปนี้

การป้องกันโอเวอร์โหลด

เมื่อเครื่องมือหรือแบตเตอรี่ทำงานในรูปแบบที่อาจจะดึงพลังงานไฟฟ้าสูงเกินไป เครื่องมือจะหยุดโดยอัตโนมัติโดยไม่มีอาการแจ้งเตือนใดๆ ในกรณีนี้ ให้ปิดเครื่องมือและหยุดการใช้งานในลักษณะที่อาจทำให้เครื่องมือทำงานหนักเกินไป แล้วเปิดเครื่องมือเพื่อเริ่มการทำงานอีกครั้ง

การป้องกันความร้อนสูงเกินไป

เมื่อเครื่องมือหรือแบตเตอรี่ร้อนเกินไป เครื่องมือจะหยุดโดยอัตโนมัติ ในกรณีนี้ ปล่อยให้เครื่องมือและแบตเตอรี่เย็นลงก่อนที่จะเปิดเครื่องมืออีกครั้ง

การป้องกันไฟหมด

เมื่อแบตเตอรี่มีระดับพลังงานไม่เพียงพอ เครื่องมือจะหยุดโดยอัตโนมัติ ในกรณีนี้ ให้ถอดแบตเตอรี่ออกจากเครื่องมือและนำแบตเตอรี่ไปชาร์จไฟ

การทำงานของสวิตช์

⚠ **ข้อควรระวัง:** ก่อนใส่ดรัมแบตเตอรี่ลงในเครื่องมือ ให้ตรวจสอบว่าสวิตช์สั่งงานสามารถทำงานได้อย่างถูกต้อง และกลับไปยังตำแหน่ง “ปิด” เมื่อปล่อย

⚠ **ข้อควรระวัง:** สวิตช์สามารถล็อกในตำแหน่ง “เปิด” เพื่อช่วยให้สะดวกในการใช้งานอย่างต่อเนื่อง ใช้ความระมัดระวังเมื่อล็อกสวิตช์เครื่องมือในตำแหน่ง “เปิด” และจับเครื่องมือให้แน่นตลอดเวลา

⚠ **ข้อควรระวัง:** อย่าติดตั้งดรัมแบตเตอรี่โดยที่ปุ่มล็อกถูกกดไว้

⚠ **ข้อควรระวัง:** เมื่อไม่ใช้งานเครื่องมือ ให้กดปุ่มล็อกสวิตช์สั่งงานจากด้าน (A) เพื่อล็อกสวิตช์สั่งงานในตำแหน่งปิด

เพื่อป้องกันไม่ให้อุปกรณ์สั่งงานถูกกดโดยไม่ตั้งใจ จึงมีปุ่มล็อกสวิตช์สั่งงานติดตั้งไว้ การเริ่มใช้งานเครื่องมือ ให้กดปุ่มล็อกสวิตช์สั่งงานลงจากด้าน A (A) แล้วกดสวิตช์สั่งงาน ความเร็วของเครื่องมือจะเพิ่มขึ้นโดยการเพิ่มแรงกดบนสวิตช์สั่งงาน ปล่อยสวิตช์สั่งงานเพื่อหยุด หลังใช้งาน ให้กดปุ่มล็อกสวิตช์สั่งงานลงจากด้าน B (B)

► หมายเลข 3: 1. ปุ่มล็อกสวิตช์สั่งงาน

สำหรับการใช้งานต่อเนื่อง ให้กดปุ่มล็อกลงในขณะที่กดสวิตช์สั่งงานไว้ แล้วจึงปล่อยสวิตช์สั่งงาน การหยุดเครื่องมือ ให้กดสวิตช์สั่งงานจนสุดแล้วปล่อย

► หมายเลข 4: 1. สวิตช์สั่งงาน 2. ปุ่มล็อก 3. ปุ่มล็อกสวิตช์สั่งงาน

ก้านเปลี่ยนความเร็ว

⚠ **ข้อควรระวัง:** ตรวจสอบก้านเปลี่ยนระดับความเร็วให้อยู่ในตำแหน่งที่ถูกต้องเสมอ หากคุณใช้งานเครื่องมือโดยที่ก้านเปลี่ยนระดับความเร็วอยู่กึ่งกลางระหว่าง “1” และ “2” เครื่องมืออาจเสียหายได้

⚠ **ข้อควรระวัง:** ห้ามใช้ก้านเปลี่ยนระดับความเร็วในขณะที่เครื่องมือกำลังทำงานอยู่ เครื่องมืออาจเสียหายได้

⚠ **ข้อควรระวัง:** หากเครื่องมือถูกใช้งานที่ความเร็วต่ำอย่างต่อเนื่องเป็นเวลานาน มอเตอร์จะเกิดการโอเวอร์โหลด ส่งผลให้เครื่องมือทำงานผิดปกติ

เพื่อเปลี่ยนความเร็ว ให้ปิดสวิตช์เครื่องมือก่อน ดันก้านเปลี่ยนความเร็วให้แสดงหมายเลข “2” สำหรับความเร็วสูงหรือหมายเลข “1” สำหรับความเร็วต่ำ ตรวจสอบให้แน่ใจว่าก้านเปลี่ยนความเร็วอยู่ในตำแหน่งที่ถูกต้องก่อนการใช้งาน ใช้ความเร็วที่เหมาะสมกับงานของคุณ

► หมายเลข 5: 1. ก้านเปลี่ยนความเร็ว

หมายเลขที่แสดง	สัญลักษณ์	ความเร็ว	การทำงานที่เหมาะสม
2		สูง	การขัดด้วยกระดาษทราย
1		ต่ำ	การดำเนินการขัดเงา

ฟังก์ชันป้องกันการรีสตาร์ทโดยอัตโนมัติ

หากคุณติดตั้งตัวแบตเตอรี่ในขณะที่กดสวิตช์สั่งงานค้างอยู่หรือลือคสวิตช์สั่งงานเอาไว้ เครื่องมือจะไม่เริ่มทำงาน การเริ่มใช้งานเครื่องมือ ให้ปล่อยแล้วกดสวิตช์สั่งงาน

การประกอบ

⚠ ข้อควรระวัง: ตรวจสอบให้แน่ใจว่าได้ปิดสวิตช์เครื่องมือและถอดตัวแบตเตอรี่ออกก่อนดำเนินการใดๆ กับเครื่องมือ

การติดตั้งตามจับด้านข้าง

⚠ ข้อควรระวัง: ขันฝาปิดหรือตามจับด้านข้างให้แน่น ไม่เช่นนั้นฝาครอบด้านหน้าอาจร่วงหล่นและทำให้ได้รับบาดเจ็บได้

นำฝาปิดออกแล้วขันตามจับด้านข้างเข้ากับเครื่องมือให้แน่นหนา ตามจับด้านข้างสามารถติดตั้งได้ทั้งสองด้านของเครื่องมือ

▶ **หมายเลข 6:** 1. ฝาปิด 2. ตามจับด้านข้าง

การติดตั้งแผ่นรองหลังกระดาษทราย

⚠ ข้อควรระวัง: ตรวจสอบให้แน่ใจว่าแผ่นรองหลังกระดาษทรายถูกติดตั้งอย่างแน่นหนา อุปกรณ์ต่อพ่วงที่หลวมจะขาดความสมดุลและทำให้เกิดการสั่นสะเทือนที่มากเกินไปซึ่งอาจส่งผลให้เสียการควบคุมได้

⚠ ข้อควรระวัง: ห้ามดันที่ลือคก้านขณะที่แกนหมุนกำลังเคลื่อนที่ เครื่องมืออาจเสียหายได้

หมายเหตุ: ทำความสะอาดอุปกรณ์เสริมและแกนหมุนเป็นประจำเพื่อกำจัดฝุ่นผงและเศษวัสดุ เช็ดส่วนประกอบให้สะอาดโดยใช้ผ้าชุบน้ำสบู่หากจำเป็น

แบบแผ่นขัดหลังสีกหลาย

กดลือคก้านเพื่อป้องกันไม่ให้แกนหมุน และหมุนเกลียวแผ่นรองหลังกระดาษทรายเข้ากับแกนหมุน หมุนให้แน่นด้วยมือ

▶ **หมายเลข 7:** 1. ลือคก้าน 2. แกนหมุน 3. แผ่นรองหลังกระดาษทราย

เมื่อต้องการถอดแผ่นรองหลังกระดาษทราย ให้ปฏิบัติตามขั้นตอนการติดตั้ง

แบบบิดเข้าบิดออก

ขันแผ่นรองหลังกระดาษทรายเข้ากับอะแดปเตอร์ แล้วหมุนเกลียวอีกด้านหนึ่งของอะแดปเตอร์เข้ากับแกนหมุนพร้อมกดลือคก้าน หมุนให้แน่นด้วยมือ

▶ **หมายเลข 8:** 1. แผ่นรองหลังกระดาษทราย 2. อะแดปเตอร์ 3. ลือคก้าน 4. แกนหมุน

เมื่อต้องการถอดแผ่นรองหลังกระดาษทราย ให้ปฏิบัติตามขั้นตอนการติดตั้ง

การติดตั้งและการถอดแผ่นขัดเงา

⚠ ข้อควรระวัง: ใช้แผ่นขัดหลังสีกหลายเท่านั้นในการขัดเงา

⚠ ข้อควรระวัง: ตรวจสอบให้แน่ใจว่าแผ่นขัดและแผ่นรองหลังกระดาษทรายเรียงตรงกันและยึดติดกันอย่างแน่นหนา ไม่อย่างนั้นตัวแผ่นขัดจะก่อให้เกิดแรงสั่นสะเทือนที่มากเกินไป ซึ่งจะทำให้คุณเครื่องมือไม่ได้ หรือตัวแผ่นขัดอาจจะเด็นออกจากเครื่อง

นำเอาฝุ่นผงหรือสิ่งแปลกปลอมออกจากหลังสีกหลายของแผ่นขัดและแผ่นรองหลังกระดาษทรายก่อน ติดแผ่นขัดเข้ากับแผ่นรองหลังกระดาษทรายโดยทำให้มุมตรงกัน

วิธีการนำแผ่นขัดออกจากแผ่นรองหลังกระดาษทราย เพียงดึงที่ขอบขึ้น

▶ **หมายเลข 9:** 1. แผ่นขัด 2. แผ่นรองหลังกระดาษทราย

การติดตั้งงานขัด

อุปกรณ์เสริม

⚠ ข้อควรระวัง: ใช้งานแบบบิดเข้า/บิดออกเท่านั้นในการขัด

การเลือกงานขัด

⚠ ข้อควรระวัง: เส้นผ่านศูนย์กลางภายนอกของอุปกรณ์เสริมจะต้องอยู่ในอัตราความสามารถของเครื่องมือไฟฟ้า

⚠ ข้อควรระวัง: อัตราความเร็วของอุปกรณ์เสริมนั้นจะต้องเท่ากันหรือมากกว่าความเร็วสูงสุดที่ระบุไว้ในเครื่องมือไฟฟ้านี้

ใช้ล้อขัดที่มีขนาดถูกต้องซึ่งผลิตขึ้นมาจากวัสดุขัดที่เหมาะสมและมีขนาดเม็ดหยาบที่เหมาะสมกับงานของคุณ

วัสดุของงานขัด

วัสดุขัด	คุณสมบัติพื้นฐาน	การใช้งานที่เหมาะสม
อะลูมิเนียมออกไซด์	เหมาะสำหรับเหล็กกล้า สแตนเลสสตีล และโลหะวัสดุขัดผลึกเดี่ยวที่มีความเหนียวและความทนทานสูง	การขัดกระดาษทรายแบบเร็ว งานโลหะส่วนใหญ่
อะลูมินา เซอร์โคเนียม	เหมาะสำหรับ INOX และโลหะต่างๆ วัสดุขัดที่คมกริบและแข็งมากและมีความทนทานสูง	การขัดลอกสี ทรายนต์ เรือ และอื่นๆ
เซรามิก	เหมาะสำหรับ INOX โลหะ และวัสดุที่ไม่มีส่วนผสมของเหล็ก คมกริบและทนทานต่อแรงกระแทก/ความร้อน/การสึกหรอสูง	งานโลหะทั่วไป

ขนาดเม็ดหยาบ

เม็ดหยาบ	การใช้งานที่เหมาะสม
24/36 (หยาบ)	การขัดพื้นผิวขั้นรุนแรง
60/80	การขัดพื้นผิวขั้นปานกลาง
120 (ละเอียด)	การขัดเก็บงาน

การติดตั้งและถอดงานขัด

⚠ ข้อควรระวัง: ตรวจสอบให้แน่ใจว่าแผ่นรองหลังกระดาษทรายถูกติดตั้งอย่างแน่นหนา อุปกรณ์ต่อพ่วงที่หลวมจะขาดความสมดุลและทำให้เกิดการสั่นสะเทือนที่มากเกินไปซึ่งอาจส่งผลให้เสียการควบคุมได้

ขจัดสิ่งสกปรกและสิ่งแปลกปลอมทั้งหมดออกจากแผ่นรองหลังกระดาษทราย หมุนเกลียวงานขัดเข้ากับแผ่นรองหลังกระดาษทรายพร้อมกดล็อกค้ำ หมุนให้แน่นด้วยมือ เมื่อต้องการถอดงานขัดออกจากแผ่นรองหลังกระดาษทราย ให้ปฏิบัติตามขั้นตอนการติดตั้ง

► หมายเลข 10: 1. งานขัด 2. แผ่นรองหลังกระดาษทราย

การใช้งาน

⚠ ข้อควรระวัง: ใช้แผ่นขัด Makita ของแท้เท่านั้นในงานขัดเงา

⚠ ข้อควรระวัง: ใช้เฉพาะงานขัดของแท้ของ Makita เท่านั้นสำหรับการขัด (อุปกรณ์เสริม)

⚠ ข้อควรระวัง: ตรวจสอบให้แน่ใจว่ายึดชิ้นงานไว้อย่างแน่นหนา วัตถุที่ร่วงหล่นอาจทำให้เกิดการบาดเจ็บได้

⚠ ข้อควรระวัง: จับเครื่องมือให้มั่นโดยให้มือข้างหนึ่งอยู่ที่มือจับสวิตช์และให้มืออีกข้างหนึ่งอยู่ที่ด้ามจับด้านข้าง ในขณะที่ใช้งานเครื่องมือ

⚠ ข้อควรระวัง: อย่าใช้งานเครื่องอย่างหนักเป็นเวลานานๆ อาจทำให้เกิดการทำงานที่ผิดปกติของเครื่องมือ โดยอาจทำให้เกิดไฟฟ้าช็อต เพลิงไหม้ และ/หรือการบาดเจ็บได้

⚠ ข้อควรระวัง: ระมัดระวังอย่าสัมผัสกับส่วนหมุน

⚠ ข้อควรระวัง: ก่อนใช้งานเครื่องมือ ตรวจสอบให้แน่ใจว่าด้ามจับด้านข้างหรือฝาปิดไม่หลวม หากด้ามจับด้านข้างหรือฝาปิดหลวม ฝาครอบด้านหน้าอาจร่วงหล่นและทำให้ได้รับบาดเจ็บได้

ข้อสังเกต: อย่าใช้แรงกดบนเครื่องมือ แรงกดที่มากเกินไปอาจทำให้ประสิทธิภาพในการขัดเงาลดลง แผ่นขัดเกิดความเสียหาย หรือทำให้อายุการใช้งานของเครื่องมือสั้นลง

ข้อสังเกต: การใช้งานอย่างต่อเนื่องด้วยความเร็วสูงอาจทำให้พื้นผิวการทำงานเสียหาย

การใช้งานทั่วไป

▶ หมายเลข 11

1. ตรวจสอบให้แน่ใจว่าไดรเวอร์รับชิ้นงานอย่างเหมาะสมแล้ว และสามารถควบคุมเครื่องมือด้วยมือทั้งสองข้าง
2. จับเครื่องมือให้มั่นโดยให้มือข้างหนึ่งอยู่ที่มือจับสวิตช์และให้มืออีกข้างหนึ่งอยู่ที่ด้ามจับด้านข้าง
3. เปิดเครื่องมือ ปล่อยให้ล้อทำงานถึงความเร็วสูงสุดและค่อยๆ ทำงานโดยเคลื่อนเครื่องมือไปข้างหน้าเหนือพื้นผิวของชิ้นงาน
4. เมื่อเสร็จสิ้นแล้ว ให้ปิดเครื่องมือและรอจนกว่าล้อจะหยุดสนิท แล้วจึงวางเครื่องมือลง

การดำเนินการขัด

▶ หมายเลข 12

1. การปรับสภาพพื้นผิว

ใช้แผ่นขัดผ้าขนสัตว์สำหรับการขัดหยาบและใช้แผ่นขัดฟองน้ำสำหรับงานขัดละเอียด

2. การใส่แว็กซ์

ใช้แผ่นขัดฟองน้ำ ใส่แว็กซ์เข้าที่แผ่นฟองน้ำหรือพื้นผิวที่ขัดเปิดเครื่องมือด้วยความเร็วต่ำเพื่อทาแว็กซ์ให้ทั่ว

⚠ ข้อควรระวัง: อย่าใส่แว็กซ์หรือสารขัดเงามากเกินไป เพราะจะทำให้เกิดฝุ่นมากขึ้นและอาจทำให้เกิดโรคตาหรือโรคที่เกี่ยวข้องกับระบบหายใจได้

หมายเหตุ: อันดับแรก ทดลองการลงแว็กซ์บนพื้นผิวของงานส่วนที่ไม่เป็นที่สะดุดตาก่อน ตรวจสอบให้แน่ใจว่าเครื่องมือไม่ขัดกับพื้นผิวหรือลงแว็กซ์อย่างไม่สม่ำเสมอ

3. การขัดแว็กซ์ออก

ใช้แผ่นขัดฟองน้ำ เปิดใช้งานเครื่องมือเพื่อนำแว็กซ์ออก

4. การขัดเงา

วางแผ่นขัดฟองน้ำลงบนพื้นผิวงานเบาๆ

การขัดด้วยกระดาษทราย

⚠ ข้อควรระวัง: ห้ามเปิดเครื่องมือในขณะที่สัมผัสกับชิ้นงาน เนื่องจากอาจทำให้ผู้ปฏิบัติงานบาดเจ็บได้

⚠ ข้อควรระวัง: ห้ามเปิดเครื่องมือโดยไม่มีงานขัด เนื่องจากอาจทำให้แผ่นรองเสียหายอย่างรุนแรงได้

⚠ ข้อควรระวัง: สวมแว่นตาด้านลมนิรภัยหรือหน้ากากป้องกันใบหน้าเสมอเมื่อปฏิบัติงาน

⚠ ข้อควรระวัง: หลังจากปฏิบัติงาน ให้ปิดเครื่องมือเสมอและรอจนกว่างานจะหยุดสนิท แล้วจึงวางเครื่องมือลง

▶ หมายเลข 13

ใช้มือข้างหนึ่งถือเครื่องมือให้แน่นที่มือจับด้านหลังและมืออีกข้างจับที่มือจับด้านข้างเสมอ เปิดเครื่องมือแล้วใช้งานขัดกับชิ้นงาน

โดยทั่วๆ ไป ให้เอียงงานขัดให้ทำมุมกับชิ้นงาน 15 องศา

ใช้แรงกดเล็กน้อยเท่านั้น การใช้แรงกดมากเกินไปจะทำให้ประสิทธิภาพการทำงานลดลงและทำให้งานขัดสึกหรออย่างรวดเร็ว

การบำรุงรักษา

⚠ ข้อควรระวัง: ตรวจสอบให้แน่ใจว่าได้ปิดสวิตช์เครื่องมือและถอดด้ามแบตเตอรี่ออกก่อนทำการตรวจสอบหรือบำรุงรักษา

ข้อสังเกต: อย่าใช้น้ำมันเชื้อเพลิง เบนซิน ทินเนอร์ แอลกอฮอล์ หรือวัสดุประเภทเดียวกัน เนื่องจากอาจทำให้ลื่นหรือเสียหายได้

เพื่อความปลอดภัยและนำเชื้อเพลิงของผลิตภัณฑ์ ควรให้ศูนย์บริการหรือโรงงานที่ผ่านการรับรองจาก Makita เป็นผู้ดำเนินการซ่อมแซม บำรุงรักษาและทำการปรับตั้งอื่นๆ นอกจากนี้ให้ใช้อะไหล่ของแท้จาก Makita เสมอ

การทำความสะอาดกล่องเก็บฝุ่น

▶ หมายเลข 14: 1. กล่องเก็บฝุ่น

ทำความสะอาดกล่องเก็บฝุ่นตรงร่องระบายอากาศอย่างสม่ำเสมอเพื่อให้อากาศไหลเวียน นำเอาฟลาคอกรอบกันฝุ่นออกและทำความสะอาดขาข่ายดักฝุ่น

อุปกรณ์เสริม

⚠ ข้อควรระวัง: ขอแนะนำให้ใช้เฉพาะอุปกรณ์เสริมหรืออุปกรณ์ต่อพ่วงเหล่านี้กับเครื่องมือ Makita ที่ระบุในคู่มือการใช้อุปกรณ์เสริมหรืออุปกรณ์ต่อพ่วงอื่นๆ อาจมีความเสี่ยงที่จะได้รับบาดเจ็บ ใช้อุปกรณ์เสริมหรืออุปกรณ์ต่อพ่วงตามวัตถุประสงค์ที่ระบุไว้เท่านั้น

หากต้องการทราบรายละเอียดเพิ่มเติมเกี่ยวกับอุปกรณ์เสริมเหล่านี้ โปรดสอบถามศูนย์บริการ Makita ใกล้บ้านคุณ

- แผ่นขัดผ้าขนสัตว์
- แผ่นขัดฟองน้ำ (สีเหลือง)
- แผ่นขัดฟองน้ำ (สีขาว)
- แผ่นแมจิก
- แผ่นบิตเข้า/บิตออก
- แบตเตอรี่และเครื่องชาร์จ Makita ของแท้

หมายเหตุ: อุปกรณ์บางรายการอาจจะรวมอยู่ในชุดเครื่องมือเป็นอุปกรณ์มาตรฐาน ซึ่งอาจแตกต่างกันไปในแต่ละประเทศ

Makita Corporation
3-11-8, Sumiyoshi-cho,
Anjo, Aichi 446-8502 Japan
www.makita.com

885842-378
EN, ZHCN, ID, MS,
VI, TH
20200930