



VN	VIETNAM
----	---------

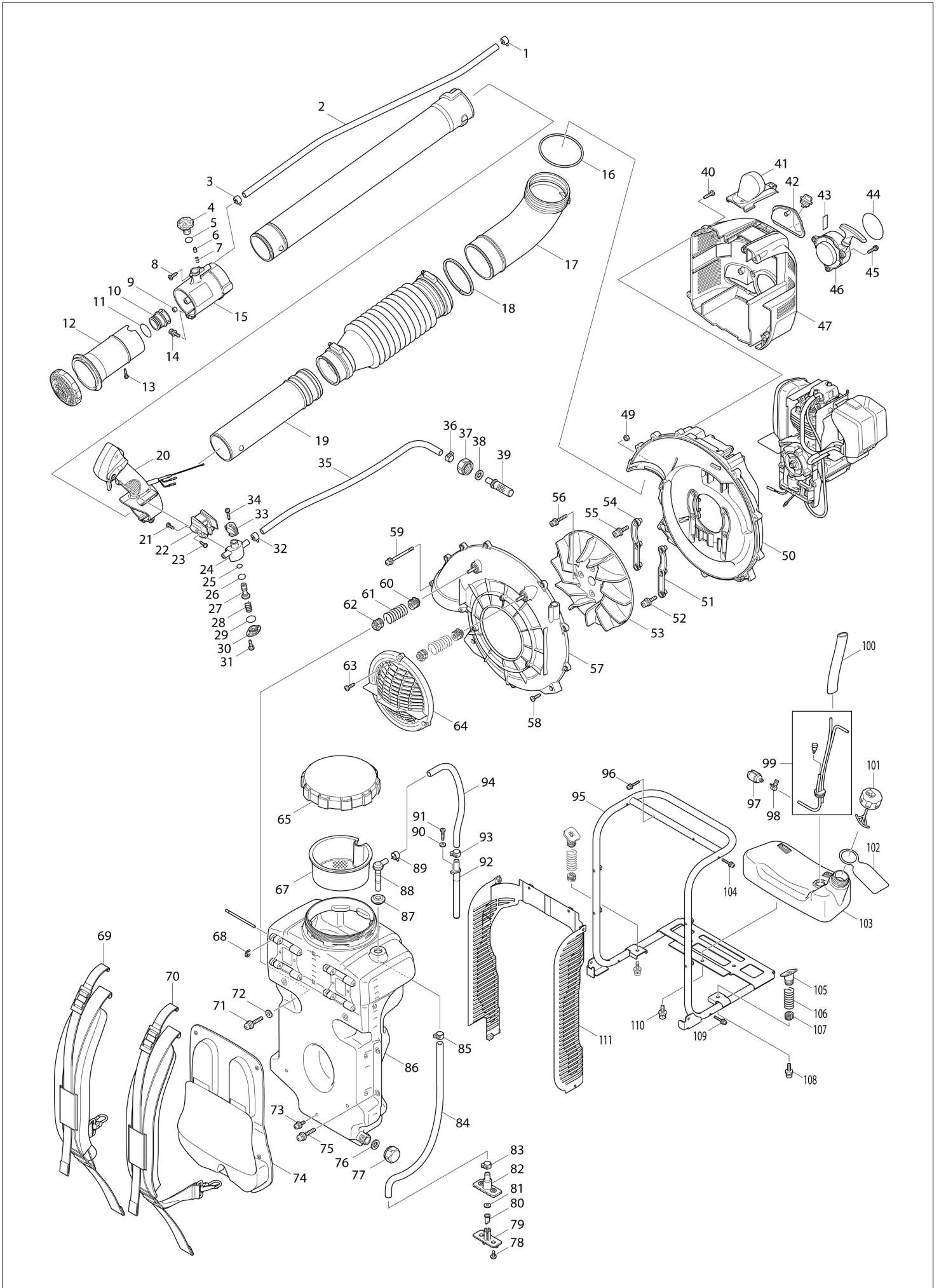
Diagram / Parts List

PM7650H

PETROL MIST BLOWER

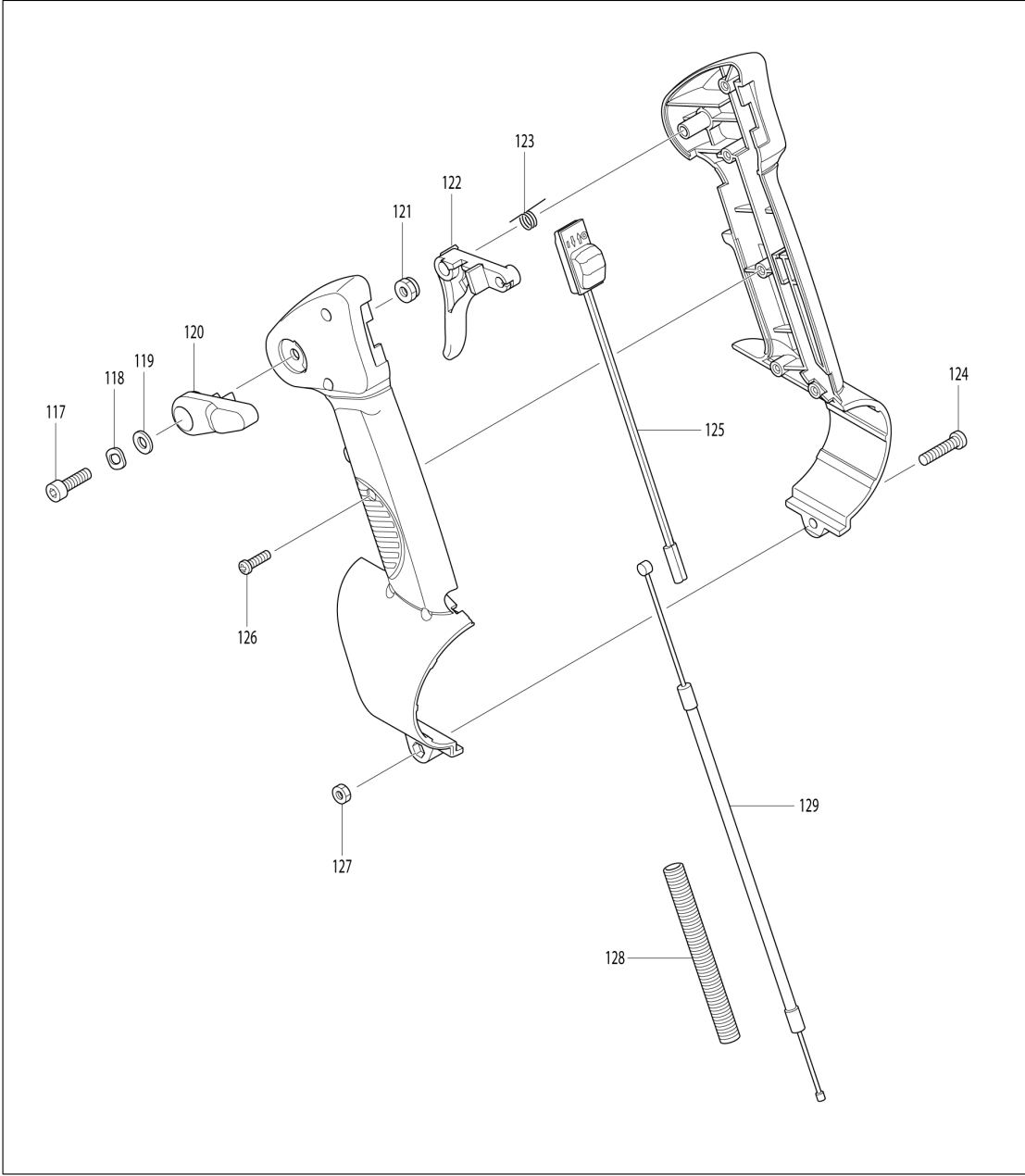


(VN) PM7650H / PETROL MIST BLOWER

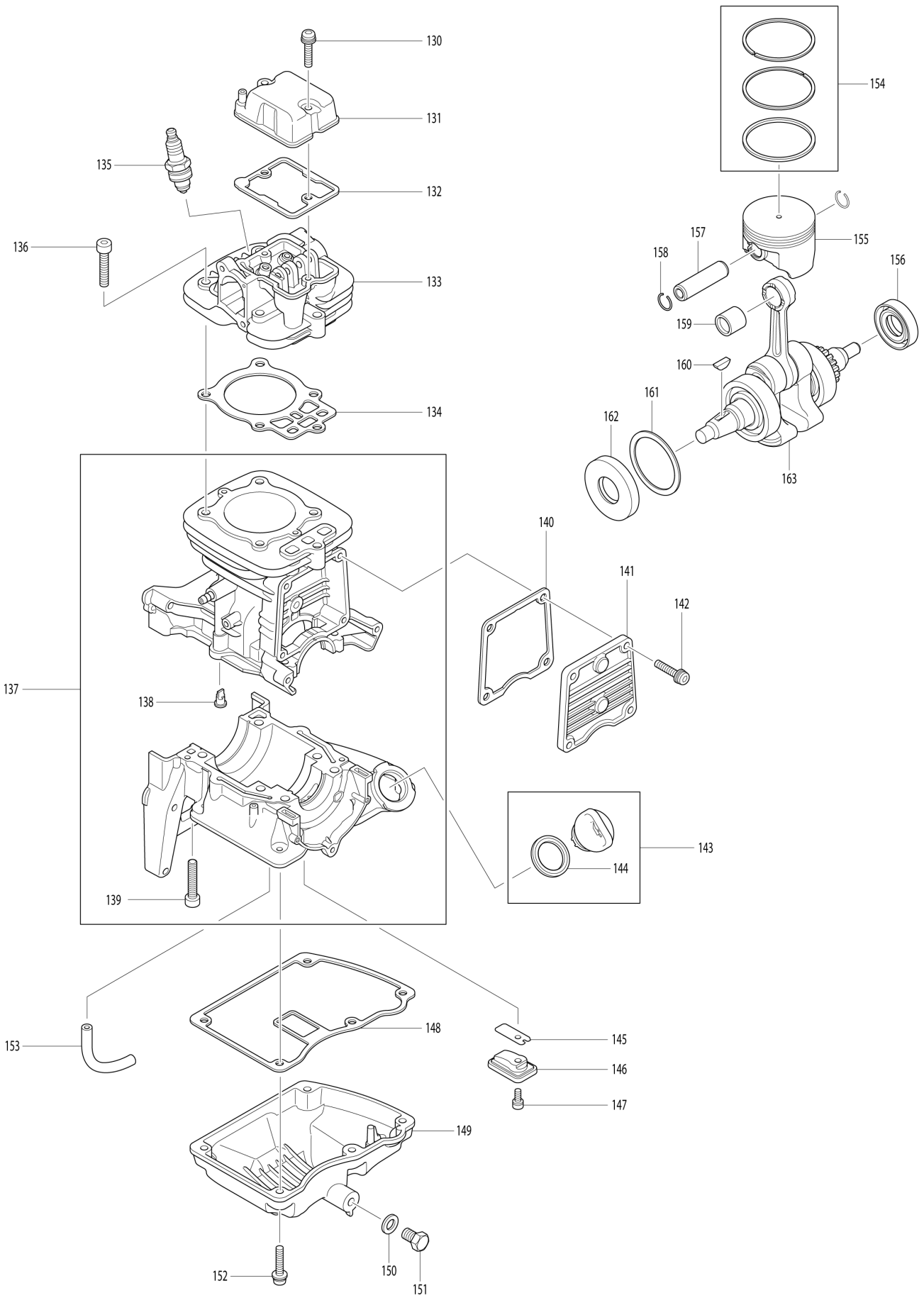


(VN) PM7650H / PETROL MIST BLOWER

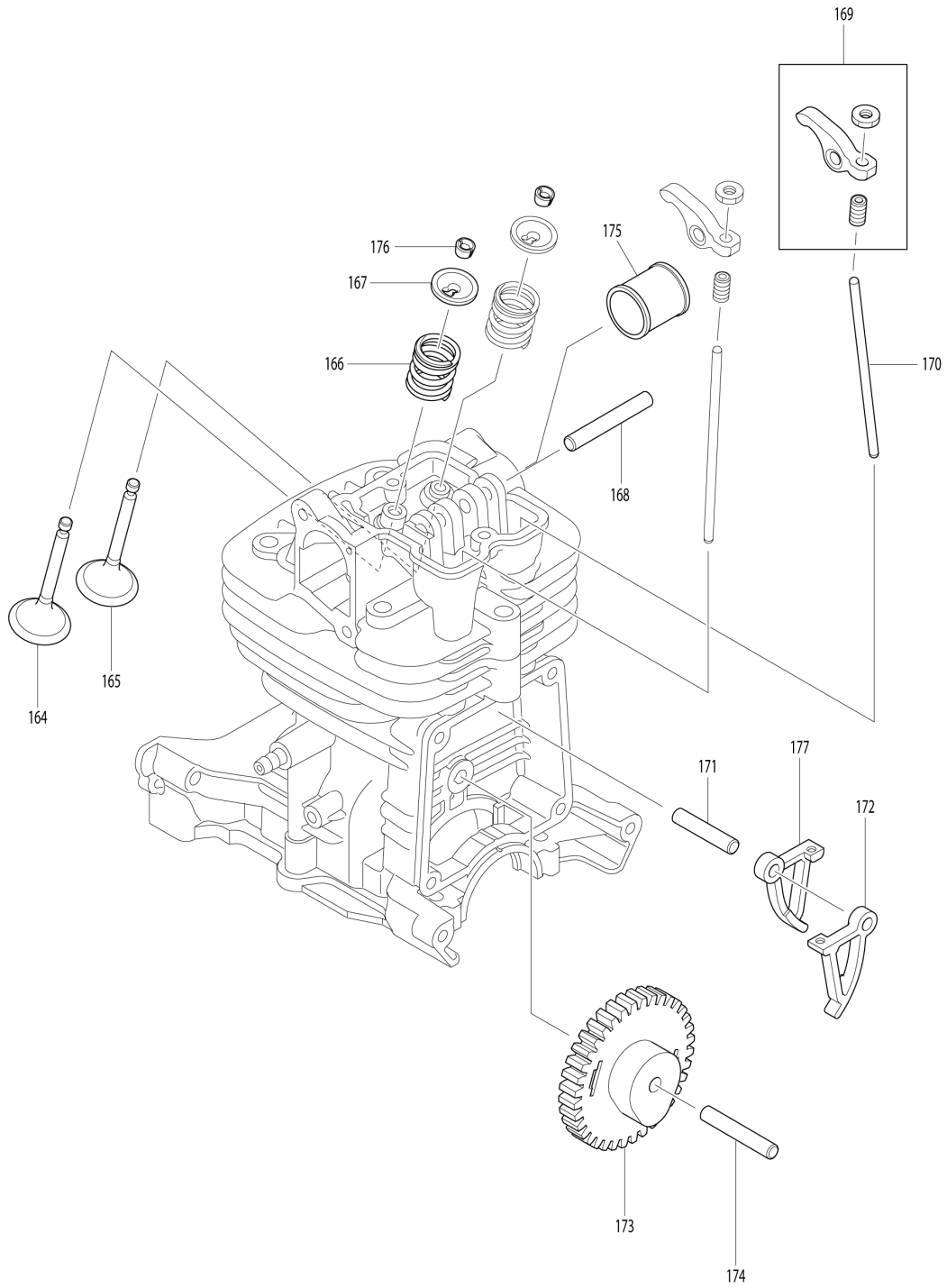
20



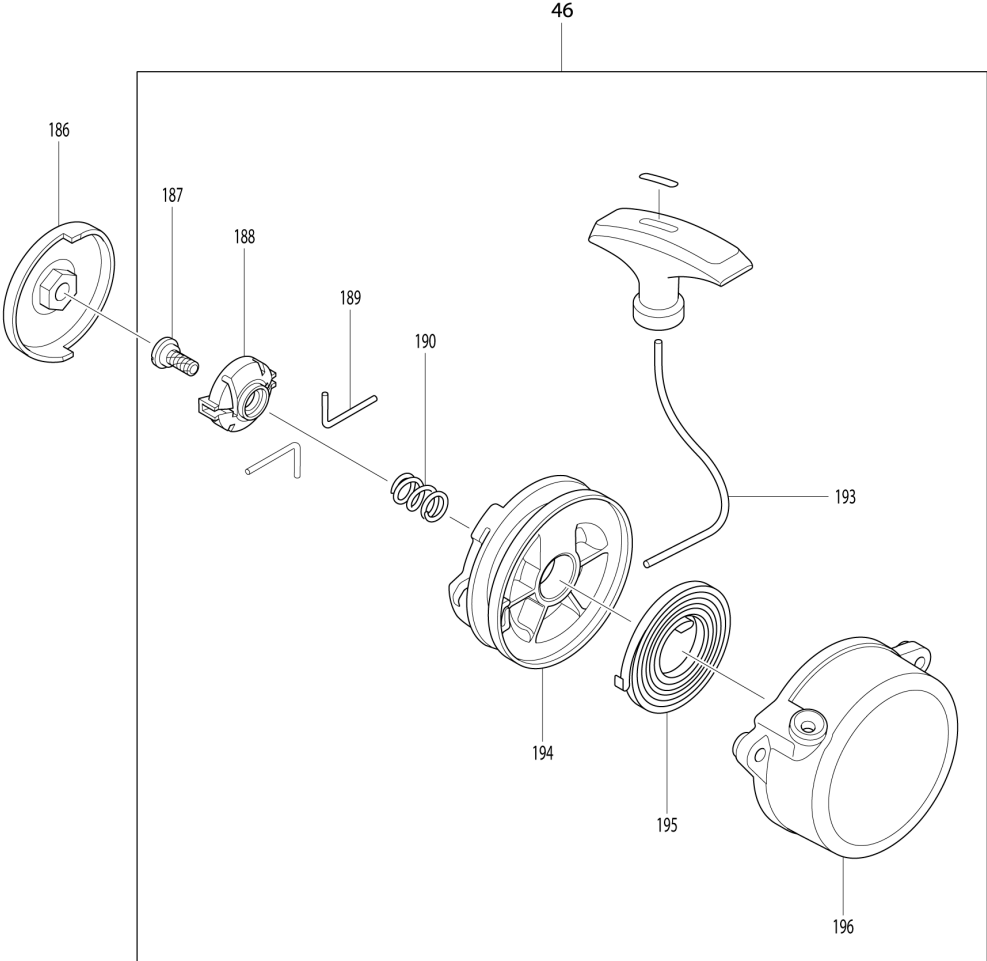
(VN) PM7650H / PETROL MIST BLOWER



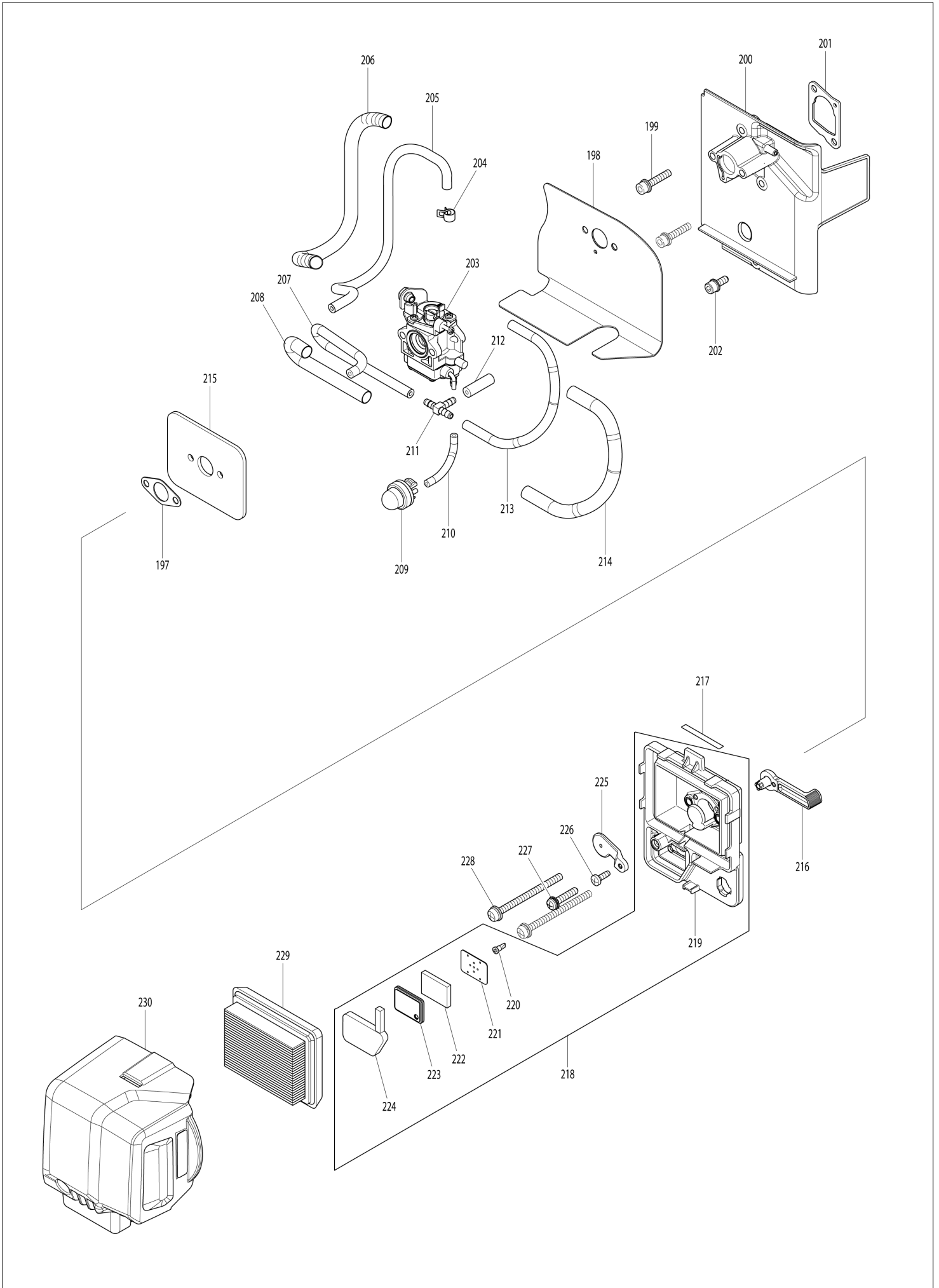
(VN) PM7650H / PETROL MIST BLOWER



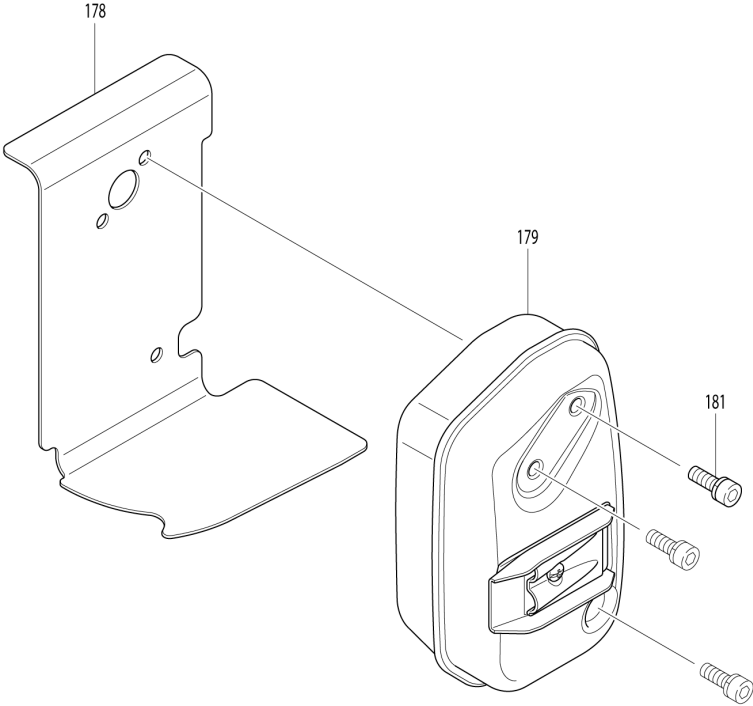
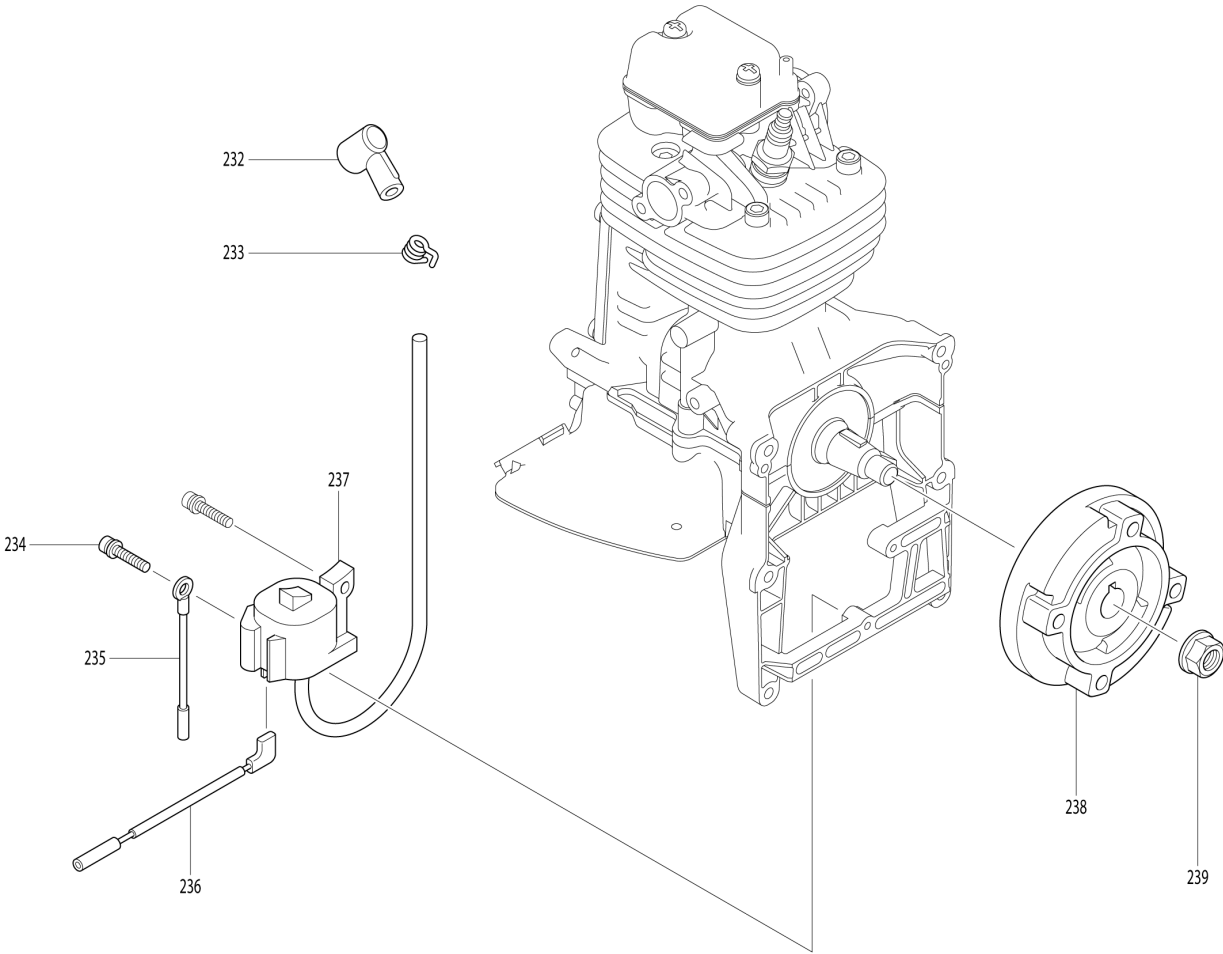
(VN) PM7650H / PETROL MIST BLOWER



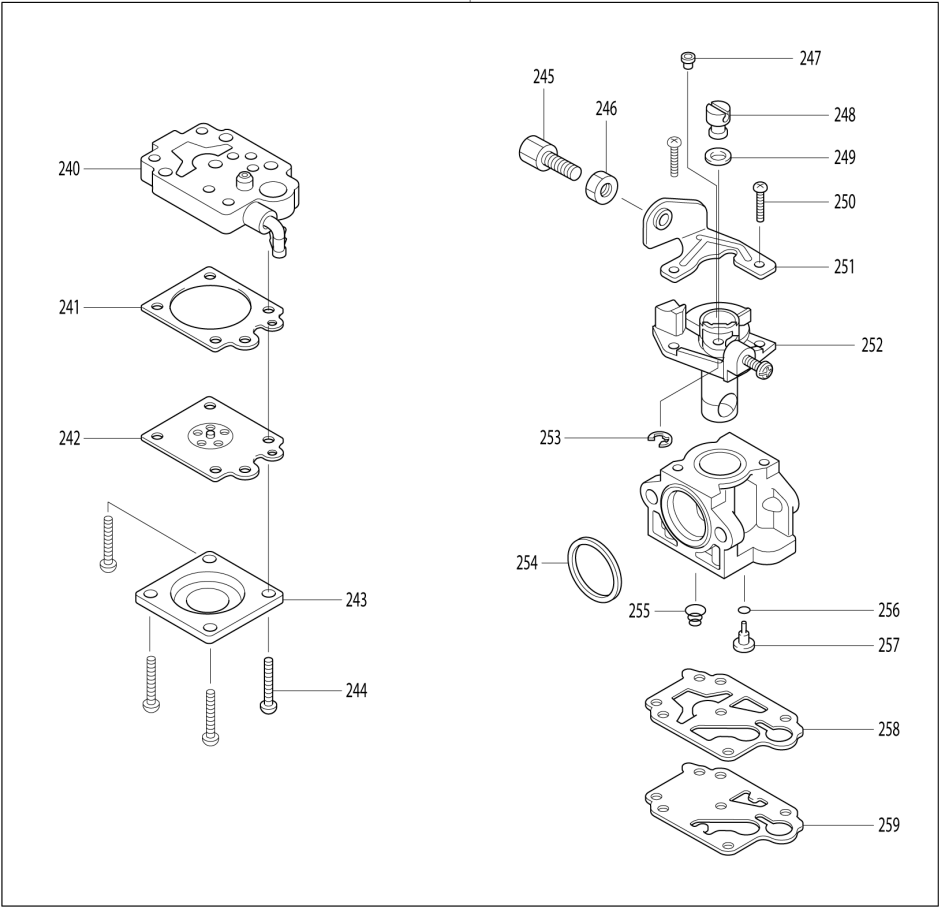
(VN) PM7650H / PETROL MIST BLOWER



(VN) PM7650H / PETROL MIST BLOWER



203



VN	VIETNAM
-----------	----------------

PM7650H / PETROL MIST BLOWER

Item	Sub	Parts No.	Parts Description	Qty	I/C	E/C No.	Close No.	Remark
001		282023-2	HOSE CLAMP 14	1				
002		412109-0	TUBE 10-500	1			A8121	
002-1		412108-2	TUBE 10-300	1	S	A8121		
003		282023-2	HOSE CLAMP 14	1				
004		453505-3	NOZZLE CAP	1				
005		213686-3	O-RING 12	1				
006		268288-0	PIN 5.5	1				
007		234244-2	COMPRESSION SPRING 3	1				
008		266007-8	TAPPING SCREW BIND PT 3X10	1				
009		326198-8	NOZZLE 4.5	1				
010		453599-8	SLEEVE 25	1				
011		213437-4	O RING 28	1				
012		453986-1	TOP ADAPTER	1			D0223	
012-1		140T54-6	TOP ADAPTER COMPLETE	1	<	D0223		
	C10	898344-8	CAUTION LABEL	1		D0223		
013		266045-0	TAPPING SCREW 4X20	1				
014		911228-4	PAN HEAD SCREW M5X18	1				
015		141921-8	NOZZLE ADAPTER COMPLETE	1				
016		213645-7	O RING 93	1			Y06205	
016-1		213645-7	O RING 93	1	O	Y06205		
017		412116-3	ELBOW	1				
018		453714-4	WIRE BAND	1				
019		168746-5	SWIVEL PIPE COMPLETE	1				
020		126137-6	CONTROL LEVER ASSEMBLY	1			A5944	
	D10		INC. 117-129				A5944	
020-1		197095-3	CONTROL LEVER SET	1	O	A5944	B4128	
	D10		INC. 117-129			A5944	B4128	
020-2		198218-6	CONTROL LEVER SET	1	O	B4128		
	D10		INC. 117-129			B4128		
021		266192-7	TAPPING SCREW 4X14	2			A8121	
022		141522-2	BODY HOLDER COMPLETE	1			A8121	
	C10	898351-1	INDICATION LABEL	1			A8121	
023		266192-7	TAPPING SCREW 4X14	2			A8121	
024		453508-7	COCK BODY	1			A8121	
024-1		126580-9	COCK ASSEMBLY	1	S	A8121	B4128	
	C10	455656-8	COCK BODY	1		A8121	B4128	
	C20	213647-3	O-RING 9	1		A8121	B4128	
	C30	455655-0	COCK	1		A8121	B4128	
	C40	455657-6	COCK LEVER	1		A8121	B4128	
	C50	266326-2	TAPPING SCREW 4X18	1		A8121	B4128	
024-2		123852-3	COCK ASSEMBLY	1	O	B4128	B5940	
	C10	455656-8	COCK BODY	1		B4128	B5940	
	C20	213647-3	O-RING 9	1		B4128	B5940	
	C30	455655-0	COCK	1		B4128	B5940	
	C41	457249-7	COCK LEVER	1	O	B4128	B5940	
	C50	266326-2	TAPPING SCREW 4X18	1		B4128	B5940	
024-3		123981-2	COCK ASSEMBLY	1	<	B5940		
	C10	455656-8	COCK BODY	1		B5940		
	C20	213647-3	O-RING 9	1		B5940		
	C31	457674-2	COCK	1	S	B5940		
	C42	457675-0	COCK LEVER	1	S	B5940		
	C50	266326-2	TAPPING SCREW 4X18	1		B5940		
025		213647-3	O-RING 9	1			A8121	
026		213686-3	O-RING 12	1			A8121	
027		453510-0	VALVE ROD	1			A8121	
028		234245-0	COMPRESSION SPRING 12	1			A8121	
029		213649-9	O-RING 18	1			Y06205	
029-1		213649-9	O-RING 18	1	O	Y06205	A8121	
030		453509-5	BODY COVER	1			A8121	
031		266192-7	TAPPING SCREW 4X14	2			A8121	
032		282023-2	HOSE CLAMP 14	1				
033		453511-8	PUSH BUTTON	1			A8121	
034		266130-9	TAPPING SCREW BIND PT 3X16	1			A8121	
035		412110-5	TUBE 10-750	1				
036		282023-2	HOSE CLAMP 14	1				

Interchange
O : Yes
X : No
< : the new part can be substituted for the current.
> : the current part can be substituted for the new.
S : Interchangeable as a set.

VN	VIETNAM
-----------	----------------

PM7650H / PETROL MIST BLOWER

Item	Sub	Parts No.	Parts Description	Qty	I/C	E/C No.	Close No.	Remark
037		453616-4	CAP HOSE	1				
038		423434-4	BLIND PACKING	1			A9019	
038-1		424760-4	BLIND PACKING	1	O	A9019		
039		453559-0	JOINT STRAINER	1				
040		266420-0	TAPPING SCREW 5X20	4				
041		450964-2	PLUG COVER	1				
042		424504-2	OIL GUARD	1				
043		897623-1	SERIAL NO. LABEL	1				
044		898353-7	PM7650H MODEL NO. LABEL	1				
045		911233-1	PAN HEAD SCREW M5X20	3				
046		126165-1	RECOIL	1				
	D10		INC. 187-190,193-196				97736	
	D11		INC. 187-190,193-196,261,262			97736		
047		141521-4	ENGINE COVER COMPLETE	1				
	C10	898343-0	CAUTION LABEL	1				
	C20	443193-4	INSULATION LABEL D	1		A4828		
049		931202-6	HEX. NUT M5	2				
050		453558-2	VOLUTE CASE 2	1				
051		318891-8	BASE R	1				
052		922353-6	HEX.SOCKET HEAD BOLT M6X30	3				
053		240138-1	IMPELLER	1				
054		318890-0	BASE L	1				
055		922353-6	HEX.SOCKET HEAD BOLT M6X30	3				
056		922363-3	H.S.H.BOLT M6X40 WITH WR	4			97546	
056-1		266828-8	H.S.H.BOLT M6X40 WITH WR	4	<	97546		
057		453491-8	VOLUTE CASE 1	1			A0155	
057-1		454669-6	VOLUTE CASE 1	1	<	A0155		
058		266420-0	TAPPING SCREW 5X20	9				
059		911288-6	PAN HEAD SCREW M5X65	2				
060		453561-3	TANK HOLDER	2				
061		234247-6	COMPRESSION SPRING 20	2				
062		453561-3	TANK HOLDER	2				
063		266420-0	TAPPING SCREW 5X20	3				
064		453497-6	FAN GUARD	1			A0155	
064-1		454670-1	FAN GUARD	1	S	A0155		
065		141764-8	TANK CAP COMPLETE	1				
067		453493-4	TANK STRAINER	1			A7643	
067-1		455784-9	TANK STRAINER	1	S	A7643		
068		961011-9	STOP RING E-4	4				
069		166109-9	BAND R	1			98616	
069-1		166121-9	BAND R	1	<	98616	A8537	
069-2		166143-9	BAND R	1	<	A8537	B2292	
069-3		161510-3	BAND R	1	<	B2292		
070		166108-1	BAND L	1			98616	
070-1		166120-1	BAND L	1	<	98616	A8537	
070-2		166142-1	BAND L	1	<	A8537	B2292	
070-3		161509-8	BAND L	1	<	B2292		
071		911353-1	PAN HEAD SCREW M6X30	2				
072		253804-1	FLAT WASHER 6	2				
073		911213-7	PAN HEAD SCREW M5X12	5				
074		166107-3	CUSHION	1			A5944	
074-1		166144-7	CUSHION	1	<	A5944	B4785	
074-2		161566-6	CUSHION	1	<	B4785		
075		911353-1	PAN HEAD SCREW M6X30	4				
076		423434-4	BLIND PACKING	1			A9019	
076-1		424760-4	BLIND PACKING	1	O	A9019		
077		453615-6	CAP	1				
078		266767-2	PAN HEAD SCREW M5X12	2				
079		453496-8	MIXING BODY LOWER	1				
080		424492-3	CHECK VALVE	1				
081		267462-7	FLAT WASHER 10	1				
082		453495-0	MIXING BODY UPPER	1				
083		282023-2	HOSE CLAMP 14	1				
084		412109-0	TUBE 10-500	1				
085		282023-2	HOSE CLAMP 14	1				

Interchange
O : Yes
X : No
< : the new part can be substituted for the current.
> : the current part can be substituted for the new.
S : Interchangeable as a set.

VN	VIETNAM
-----------	----------------

PM7650H / PETROL MIST BLOWER

Item	Sub	Parts No.	Parts Description	Qty	I/C	E/C No.	Close No.	Remark
086		141523-0	TANK COMPLETE	1			A0155	
	C10	898344-8	CAUTION LABEL	1			A0155	
086-1		142370-2	TANK COMPLETE	1	<	A0155	A7643	
	C10	898344-8	CAUTION LABEL	1		A0155	A7643	
086-2		143198-1	TANK COMPLETE	1	S	A7643	D0223	
	C10	898344-8	CAUTION LABEL	1		A7643	D0223	
086-3		455935-4	TANK	1	>	D0223		
087		424503-4	GROMMET	1				
088		453494-2	JOINT 1	1			99415	
088-1		454683-2	JOINT 1	1	S	99415		
089		282023-2	HOSE CLAMP 14	1				
090		253874-0	FLAT WASHER 4	1				
091		265995-6	TAPPING SCREW 4X18	1				
092		453498-4	PRESSURE PIPE	1				
093		282023-2	HOSE CLAMP 14	1				
094		412108-2	TUBE 10-300	1				
095		165686-8	FRAME COMPLETE	1				
096		911148-2	PAN HEAD SCREW M4X25	2				
097		163532-9	FILTER	1				
098		345920-4	HOSE CLAMP	1				
099		126138-4	FUEL TUBE ASSEMBLY	1				
100		412119-7	TUBE GUARD 20-160	1				
101		125472-9	FUEL TANK CAP ASSEMBLY	1			C4429	
101-1		127108-6	FUEL TANK CAP ASSEMBLY	1	O	C4429		
102		810455-9	CAUTION PLATE	1				
103		453618-0	FUEL TANK	1				
104		911148-2	PAN HEAD SCREW M4X25	2				
105		453499-2	FRAME HOLDER	2				
106		234246-8	COMPRESSION SPRING 17	2				
107		453560-5	LOWER FRAME HOLDER	2				
108		911333-7	PAN HEAD SCREW M6X20	2				
109		911148-2	PAN HEAD SCREW M4X25	2				
110		911313-3	PAN HEAD SCREW M6X12 WITH WR	3				
111		453600-9	GUARD	1			A0155	
111-1		454684-0	GUARD	1	<	A0155		
117		922317-0	HEX. SOCKET HEAD BOLT M6X14	1				
118		267841-9	WAVE WASHER 7	1				
119		267459-6	FLAT WASHER 7	1				
120		453717-8	LEVER 2 THROTTLE	1				
121		931302-2	HEX. NUT M6	1				
122		453716-0	LEVER 1 THROTTLE	1				
123		233602-9	TORSION SPRING 9	1				
124		911242-0	PAN HEAD SCREW M5X25	1				
125		168745-7	SWITCH COMPLETE	1				
126		266768-0	TAPPING SCREW 4X16	5				
127		931202-6	HEX. NUT M5	1			A5944	
127-1		252103-8	HEX. LOCK NUT M5-8	1	X	A5944		
128		453715-2	TUBE CABLE	1				
129		168744-9	CONTROL CABLE	1				
130		266789-2	H.S.H.BOLT M5X30 WITH WR	2			A7397	
130-1		922253-0	H.S.H.BOLT M5X30 WITH WR	2	O	A7397		
131		141771-1	ROCKER COVER COMPLETE	1				
132		5971500900	ROCKER COVER GASKET	1				
133		5971003002	CYLINDER HEAD COMPL	1			A0518	
	D10		INC. 168,169				A0518	
133-1		142381-7	CYLINDER HEAD COMPLETE	1	<	A0518	A3731	
	D10		INC. 168,169			A0518	A3731	
133-2		142771-4	CYLINDER HEAD COMPLETE	1	<	A3731	C1654	
	D10		INC. 168,169			A3731	C1654	
133-3		126943-9	CYLINDER HEAD ASSEMBLY	1	O	C1654		
134		442167-2	CYLINDER HEAD GASKET	1				
135		168401-9	SPARK PLUG	1				
136		0119069670	SOCKET HEAD BOLT M6X35	5			A5256	
136-1		922357-8	HEX. SOCKET HEAD BOLT M6X35	5	O	A5256		
137		5971007001	CYLINDER BLOCK SET	1			B1426	

Interchange
O : Yes
X : No
< : the new part can be substituted for the current.
> : the current part can be substituted for the new.
S : Interchangeable as a set.

VN	VIETNAM
-----------	----------------

PM7650H / PETROL MIST BLOWER

Item	Sub	Parts No.	Parts Description	Qty	I/C	E/C No.	Close No.	Remark
	D10		INC. 138,139				B1426	
137-1		197786-6	CYLINDER BLOCK SET	1	S	B1426	B1432	
	D10		INC. 138,139			B1426	B1432	
137-2		123580-0	ENGINE BLOCK ASSY(FOR SERVICE)	1	<	B1432		
	C10	197786-6	CYLINDER BLOCK SET	1		B1432	Y07265	
	C11	135739-7	CYLINDER BLOCK ASS'Y	1	O	Y07265		
	D10		INC. 130-134,136,140-159			B1432		
	D20		INC. 161-167,170,172-174			B1432		
	D30		INC. 176,177			B1432		
138		424201-0	CHECK VALVE	2				
139		0119069930	HEX. SOCKET HEAD BOLT M6X30	6			A5256	
139-1		922352-8	HEX. SOCKET HEAD BOLT M6X30	6	O	A5256		
140		442168-0	CAM GEAR GASKET	1				
141		318725-5	CAM GEAR COVER	1				
142		0119059531	SOCKET HEAD BOLT M5X16(W,SW)	4			Y06152	
142-1		266813-1	H.S.H.BOLT M5X16 WITH WR	4	O	Y06152	B5072	
142-2		922223-9	H.S.H.BOLT M5X16 WITH WR	4	O	B5072		
143		6676005000	OIL CAP ASSY	1				
	D10		INC. 144					
144		0213229980	GASKET	1				
145		346083-9	LEAD VALVE	1				
146		5931501300	RETAINER PLATE	1				
147		0119049980	SOCKET HEAD BOLT M4X10	1			C1654	
147-1		922117-8	HEX. SOCKET HEAD BOLT M4X12	1	O	C1654		
148		5976500100	OIL CASE GASKET	1				
149		5976500000	OIL CASE	1			A5256	
149-1		319008-6	OIL CASE	1	O	A5256		
150		0037008000	ALUMINUM GASKET	1			Y06275	
150-1		346452-4	GASKET	1	O	Y06275		
151		0016608120	BOLT M8X12	1			A5256	
151-1		266916-1	HEX. BOLT M8X12	1	O	A5256	B3107	
151-2		921412-3	HEX. BOLT M8X12	1	<	B3107		
152		0119059390	SOCKET HEAD BOLT M5X25	5			A7397	
152-1		922243-3	HEX. SOCKET HEAD BOLT M5X25	5	O	A7397		
153		0851109960	TUBE	1			C4546	
153-1		422420-2	TUBE3-80	1	<	C4546		
154		5972003000	PISTON RING SET	1			A8768	
154-1		197040-8	PISTON RING SET	1	<	A8768		
155		318726-3	PISTON	1			A9068	
155-1		197456-7	PISTON SET	1	<	A9068		
	C10	318726-3	PISTON	1		A9068		
	D10		INC. 154,158			A9068		
156		213599-8	OIL SEAL 17	1			Y06333	
156-1		213599-8	OIL SEAL 17	1	O	Y06333	B9286	
156-2		213091-4	OIL SEAL 17	1	<	B9286		
157		5802500702	PISTON PIN	1			A7397	
157-1		257344-1	PISTON PIN	1	O	A7397	B8974	
157-2		326039-8	PISTON PIN	1	O	B8974		
158		233995-4	RING SPRING 12	2				
159		0610129940	NEEDLE ROLLER BEARING	1				
160		0323049950	WOODRUFF KEY	1				
161		267448-1	FLAT WASHER 41	1				
162		213598-0	OIL SEAL(L)	1			B9286	
162-1		213090-6	OIL SEAL(L)	1	<	B9286		
163		5972002002	CRANKSHAFT COMPL	1			Y06458	
163-1		142205-7	CRANK SHAFT COMPLETE	1	O	Y06458	A5040	
163-2		126576-0	CRANK SHAFT ASSEMBLY	1	O	A5040		
164		331964-0	INTAKE VALVE	1				
165		331965-8	EXHAUST VALVE	1				
166		234212-5	COMPRESSION SPRING 11	2				
167		331966-6	RETAINER	2				
168		5973500501	SHAFT ROCKER ARM	1			A0518	
168-1		268310-3	PIN 5	1	O	A0518	Y07036	
169		126005-3	ROCKER ARM ASSEMBLY	2			Y07036	
170		256526-2	PUSH ROD	2				

Interchange
O : Yes
X : No
< : the new part can be substituted for the current.
> : the current part can be substituted for the new.
S : Interchangeable as a set.

VN	VIETNAM
-----------	----------------

PM7650H / PETROL MIST BLOWER

Item	Sub	Parts No.	Parts Description	Qty	I/C	E/C No.	Close No.	Remark
171		5973500700	SHAFT CAM LIFTER	1			A5759	
171-1		256186-0	PIN 5	1	O	A5759	B1426	
172		59735006K1	CAM LIFTER	1			99226	
172-1		313266-6	CAM LIFTER L	1	<	99226	B1426	
172-2		310715-4	CAM LIFTER L	1	S	B1426		
173		5973002002	CAMGEAR ASSY	1			B8173	
173-1		126622-9	CAMGEAR ASSEMBLY	1	<	B8173		
174		256200-2	PIN 5	1				
175		331937-3	EXHAUST PORT SPACER	1				
176		331967-4	COTTER	4				
177		5973502300	CAM LIFTER	1			99635	
177-1		313267-4	CAM LIFTER R	1	<	99635		
178		5973501301	MUFFLER GASKET	1			Y06236	
178-1		5973501302	MUFFLER GASKET	1	O	Y06236	A7397	
178-2		346682-7	MUFFLER GASKET	1	O	A7397		
179		5973001003	MUFFLER EXHAUST	1			B4259	
179-1		168807-1	EXHAUST MUFFLER	1	O	B4259		
181		266771-1	SOCKET HEAD BOLT M6X18	3				
186		5975500000	PULLEY	1			C0676	
186-1		161599-1	PULLEY	1	O	C0676		
187		266585-8	TAPPING SCREW 5X12	1				
188		424516-5	COLLAR	1				
189		326200-7	SWING ARM	2				
190		234257-3	FRICITION SPRING	1				
193		126186-3	ROPE ASSEMBLY	1			97736	
193-1		444043-6	STARTER ROPE	1	S	97736		
194		441075-4	REEL	1				
195		232262-4	SPIRAL SPRING	1			Y07731	
195-1		SG00000014	SPIRAL SPRING	1	O	Y07731		
196		141649-8	STARTER CASE COMPLETE	1				
197		5233504200	CARBURETOR GASKET	1				
198		423438-6	CARBURETOR GASKET	1				
199		266749-4	HEX. S.H.B. M5X25 WITH WR	2				
200		141670-7	INSULATOR COMPL	1				
201		162333-2	INSULATOR GASKET	1				
202		0119059490	SOCKET HEAD BOLT M5X14 (W,SW)	1				
203		168725-3	CARBURETOR	1				
	D10		INC. 240-246,248-251,253-259					
204		282027-4	HOSE CLAMP 6	1				
205		412134-1	TUBE 3-210	1				
206		454190-5	CORRUGATE TUBE 160	1				
207		412121-0	TUBE 3-130	1				
208		412123-6	TUBE 10-110	1				
209		168398-2	PRIMER PUMP	1				
210		412112-1	TUBE 3-60	1				
211		452952-5	HOSE JOINT	1				
212		422096-5	TUBE 3-25	1				
213		412122-8	TUBE 3-240	1				
214		412124-4	TUBE 10-220	1				
215		346582-1	PLATE 31	1				
216		453502-9	CHOKE LEVER	1			B9550	
216-1		458165-6	CHOKE LEVER	1	S	B9550		
217		898347-2	SERIAL NO. LABEL	1			Y07098	
217-1		814P65-0	SERIAL NO. LABEL	1	<	Y07098		
218		126149-9	CLEANER PLATE ASSEMBLY	1				
	D10		INC. 219-224					
219		453501-1	AIR CLEANER PLATE	1				
220		424316-3	CHECK VALVE	1				
221		162325-1	SEPARATOR GASKET	1				
222		352013-0	SEPARATOR NET	1				
223		162322-7	SEPARATOR STOPPER	1				
224		162324-3	SEPARATOR PLATE	1				
225		5973501700	CHOKE PLATE	1			B9550	
225-1		458166-4	CHOKE PLATE	1	<	B9550		
226		266427-6	TAPPING SCREW 4X12	1				

Interchange
O : Yes
X : No
< : the new part can be substituted for the current.
> : the current part can be substituted for the new.
S : Interchangeable as a set.

VN	VIETNAM
-----------	----------------

PM7650H / PETROL MIST BLOWER

Item	Sub	Parts No.	Parts Description	Qty	I/C	E/C No.	Close No.	Remark
227		911243-8	PAN HEAD SCREW M5X25	1				
228		911293-3	PAN HEAD SCREW M5X70	2				
229		442181-8	AIR CLEANER ELEMENT	1			D6115	
229-1		442181-8	AIR CLEANER ELEMENT	1	O	D6115		
230		141525-6	AIR CLEANER COVER COMPLETE	1				
	C10	898350-3	INDICATION LABEL	1				
232		424105-6	PLUG CAP	1				
233		324891-8	PLUG CAP SPRING	1				
234		0119049970	SOCKET HEAD BOLT M4X20	2			C1786	
234-1		922138-0	H.S.H.BOLT M4X20 WITH WR	2	O	C1786		
235		638784-6	WIRE	1				
236		638710-5	LEAD WIRE	1				
237		5977001010	IGNITION COIL	1			B9550	
237-1		161837-1	IGNITION COIL	1	O	B9550		
238		5977001020	FLYWHEEL COMPL	1			B4259	
238-1		319170-7	FLYWHEEL	1	O	B4259		
239		264054-3	FLANGE NUT M10	1				
240		141672-3	PUMP BODY ASSEMBLY	1				
241		442183-4	METERING DIAPHRAGM GASKET	1				
242		168620-7	METERING DIAPHRAGM	1				
243		346608-9	METER DIAPHRAGM COVER	1			Y06944	
243-1		WJ00021158	METERING DIAPHRAGM COVER	1	O	Y06944		
244		266770-3	SCREW	4			Y06944	
244-1		WJ00096325	SCREW	4	O	Y06944		
245		266795-7	ADJUST SCREW	1				
246		264065-8	CABLE ADJUST NUT M6	1				
248		325922-6	SWIVEL	1				
249		413140-9	WASHER	1				
250		266704-6	PAN HEAD SCREW M3X10	2				
251		346491-4	BRACKET CABLE	1				
253		257964-1	STOP RING E-3	1				
254		424444-4	PACKING RING	1				
255		234183-6	CONICAL COMPRESSION SPRING 5-9	1				
256		213538-8	O RING 2	1				
257		326243-9	JET	1				
258		442155-9	PUMP GASKET	1				
259		168575-6	PUMP DIAPHRAGM	1			Y07366	
259-1		WJ00009599	PUMP DIAPHRAGM	1	O	Y07366		
260		195926-0	O RING SET	1				
	D10		INC. 5,25,26,29					
261		424361-8	STARTER KNOB	1	S	97736		
262		424360-0	ROPE STOPPER	1	S	97736		
263		423467-9	SPONGE 12	1	S	99415		
264		135600-8	CYLINDER HEAD ASS'Y 76CC	1		Y06476	A3731	
	D10		INC. 133,164-167,176			Y06476	A3731	
264-1		135619-7	CYLINDER HEAD ASS'Y 76CC	1	<	A3731		
	D10		INC. 133,164-167,176			A3731		
A01		163319-9	HAND STRAP	1				
A02		782237-8	BOX WRENCH	1				
A03		783019-1	DRIVER	1				
A04		282024-0	HOSE CLAMP 76	3			A8121	
A04-1		282024-0	HOSE CLAMP 76	4	O	A8121		
A05		282025-8	HOSE CLAMP 100	1				
A06		453700-5	STRAIGHT PIPE 380	1			98043	
A06-1		453700-5	STRAIGHT PIPE 380	1	O	98043		
A07		412115-5	FLEXIBLE PIPE	1				
A08		453506-1	DIFFUSION COVER	1				
A12		196733-4	BAND 25 SET	1		A8537	D6786	
A12-1		196733-4	BAND 25 SET	1	O	D6786		
A13		198225-9	NOZZLE 0.7 SET	1		B4076		
A15		198248-7	DEFLECTOR SET MG	1		B4706		
B01		197056-3	HOSE CLAMP SET	1		Y07999		
	D10		INC. A04,A05			Y07999		
E01		819432-8	CAUTION TAG	1				

Interchange
O : Yes
X : No
< : the new part can be substituted for the current.
> : the current part can be substituted for the new.
S : Interchangeable as a set.