



VN	VIETNAM
----	---------

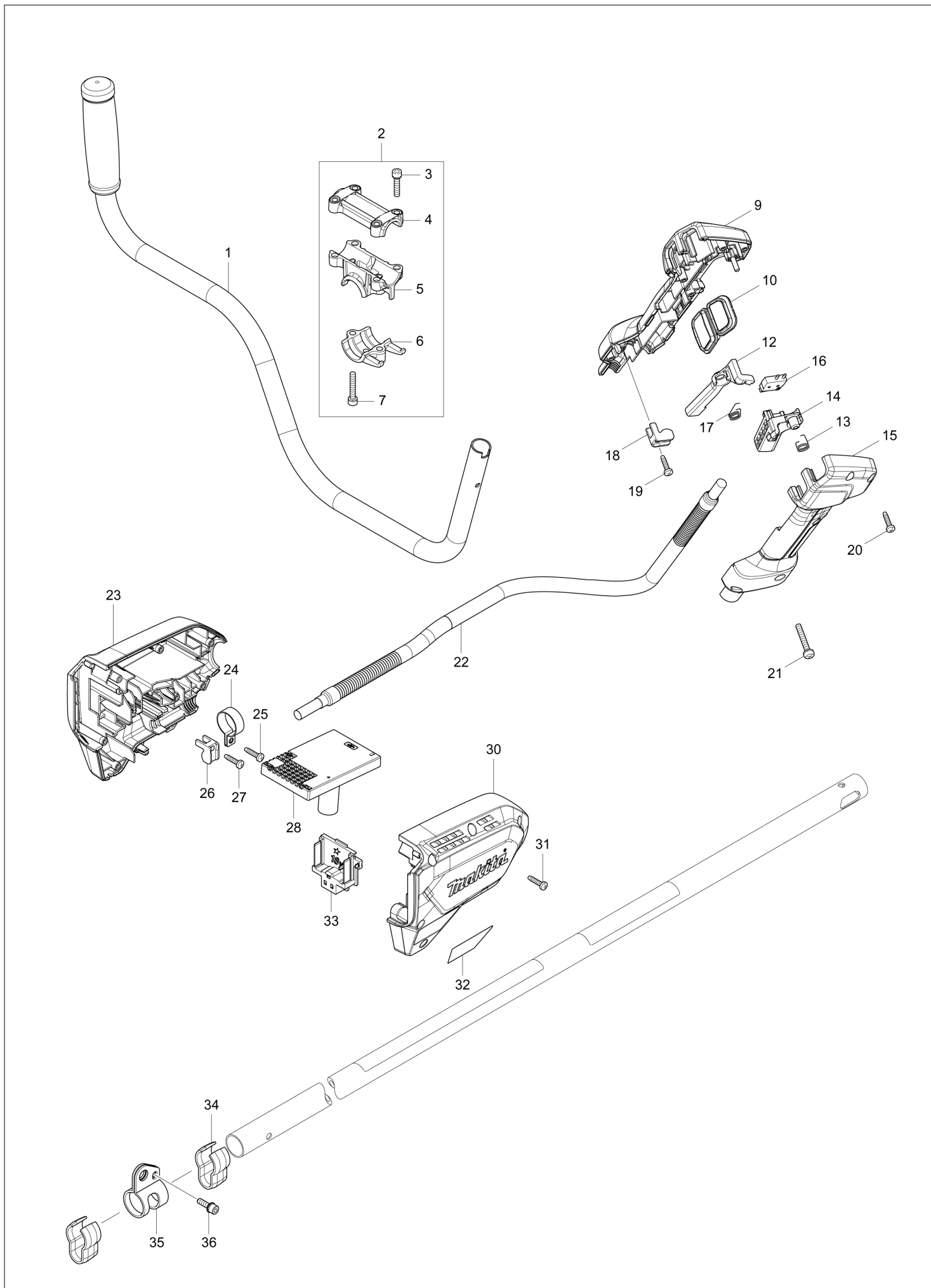
# Diagram / Parts List

**DUR187U**

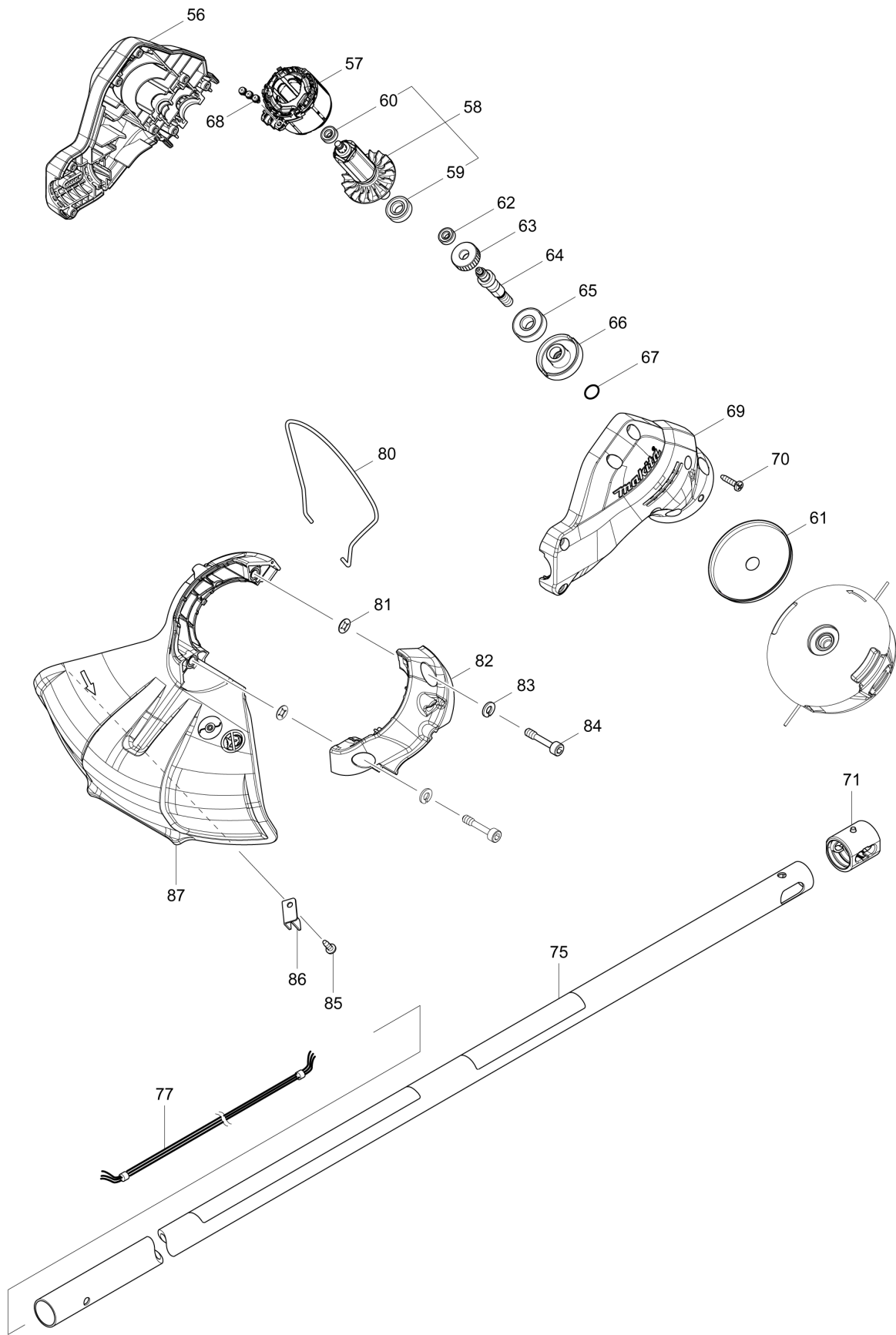
**CORDLESS GRASS TRIMMER**



# (VN) DUR187U / CORDLESS GRASS TRIMMER



(VN) DUR187U / CORDLESS GRASS TRIMMER



<b>VN</b>	<b>VIETNAM</b>
-----------	----------------

### DUR187U / CORDLESS GRASS TRIMMER

Item	Sub	Parts No.	Parts Description	Qty	I/C	E/C No.	Close No.	Remark
001		144374-0	HANDLE COMPLETE	1				
002		135395-3	HANDLE HOLDER ASS'Y	1				
	D10		INC. 3-7					
003		922241-7	HEX. SOCKET HEAD BOLT M5X25	4				
004		318272-6	HANDLE HOLDER 1	1				
005		318273-4	HANDLE HOLDER 2	1				
006		318274-2	HANDLE HOLDER 3	1				
007		922251-4	HEX. SOCKET HEAD BOLT M5X30	2				
009		183A77-7	GRIP SET	1				
	C10	252180-0	HEX. LOCK NUT M5-8	1				
	D10		INC. 15					
010		144371-6	SUB CONTROLLER COMPLETE	1				
012		455629-1	LOCK OFF LEVER	1				
013		233612-6	TORSION SPRING 10	1				
014		455816-2	SWITCH LEVER	1				
015		183A77-7	GRIP SET	1				
	C10	252180-0	HEX. LOCK NUT M5-8	1				
	D10		INC. 9					
016		632E40-6	SWITCH UNIT	1				
017		233621-5	TORSION SPRING 9	1				
018		687260-7	STRAIN RELIEF	1				
019		266326-2	TAPPING SCREW 4X18	1				
020		266326-2	TAPPING SCREW 4X18	5				
021		911258-5	PAN HEAD SCREW M5X35	1				
022		699084-9	POWER SUPPLY CORD UNIT	1				
023		183F35-3	HOUSING SET	1				
	C10	263005-3	RUBBER PIN 6	2				
	D10		INC. 30					
024		346248-3	CLAMP 24	1				
025		266326-2	TAPPING SCREW 4X18	1				
026		687260-7	STRAIN RELIEF	1				
027		266326-2	TAPPING SCREW 4X18	1				
028		620642-0	CONTROLLER	1				
030		183F35-3	HOUSING SET	1				
	C10	263005-3	RUBBER PIN 6	2				
	D10		INC. 23					
031		266326-2	TAPPING SCREW 4X18	6				
032		852X73-1	DUR187U NAME PLATE	1				
033		644809-6	TERMINAL	1				
034		457458-8	CLAMP	2				
035		347116-3	HANGER	1				
036		922212-4	HEX. SOCKET HEAD BOLT M5X12	1				
056		183F18-3	MOTOR HOUSING SET	1				
	D10		INC. 69					
057		629248-1	STATOR	1				
058		519429-4	ROTOR ASS'Y	1			D0256	
	D10		INC. 59,60				D0256	
058-1		519429-4	ROTOR ASS'Y	1	O	D0256		
	D10		INC. 59,60			D0256		
059		210049-4	BALL BEARING 609ZZ	1				
060		211157-4	BALL BEARING 695ZZ	1				
061		346857-8	GUARD	1				
062		211157-4	BALL BEARING 695ZZ	1				
063		221492-2	HELICAL GEAR 26	1				
064		326924-5	CUTTER SHAFT	1				
065		210059-1	BALL BEARING 6000DDW	1				
066		144512-4	RECEIVE WASHER COMPLETE	1				
	D10		INC. 67					
067		213055-8	O RING 10	1				
068		652069-6	FLAT HEAD SCREW M3X6	3				
069		183F18-3	MOTOR HOUSING SET	1				
	D10		INC. 56					
070		266326-2	TAPPING SCREW 4X18	8				
071		424567-8	RUBBER SLEEVE 24	1				
075		142241-3	PIPE COMPLETE	1				

B:DUR187URFE(H)  
C:DUR187URF(H)

Interchange  
O : Yes  
X : No  
< : the new part can be substituted for the current.  
> : the current part can be substituted for the new.  
S : Interchangeable as a set.

