



VN	VIETNAM
----	---------

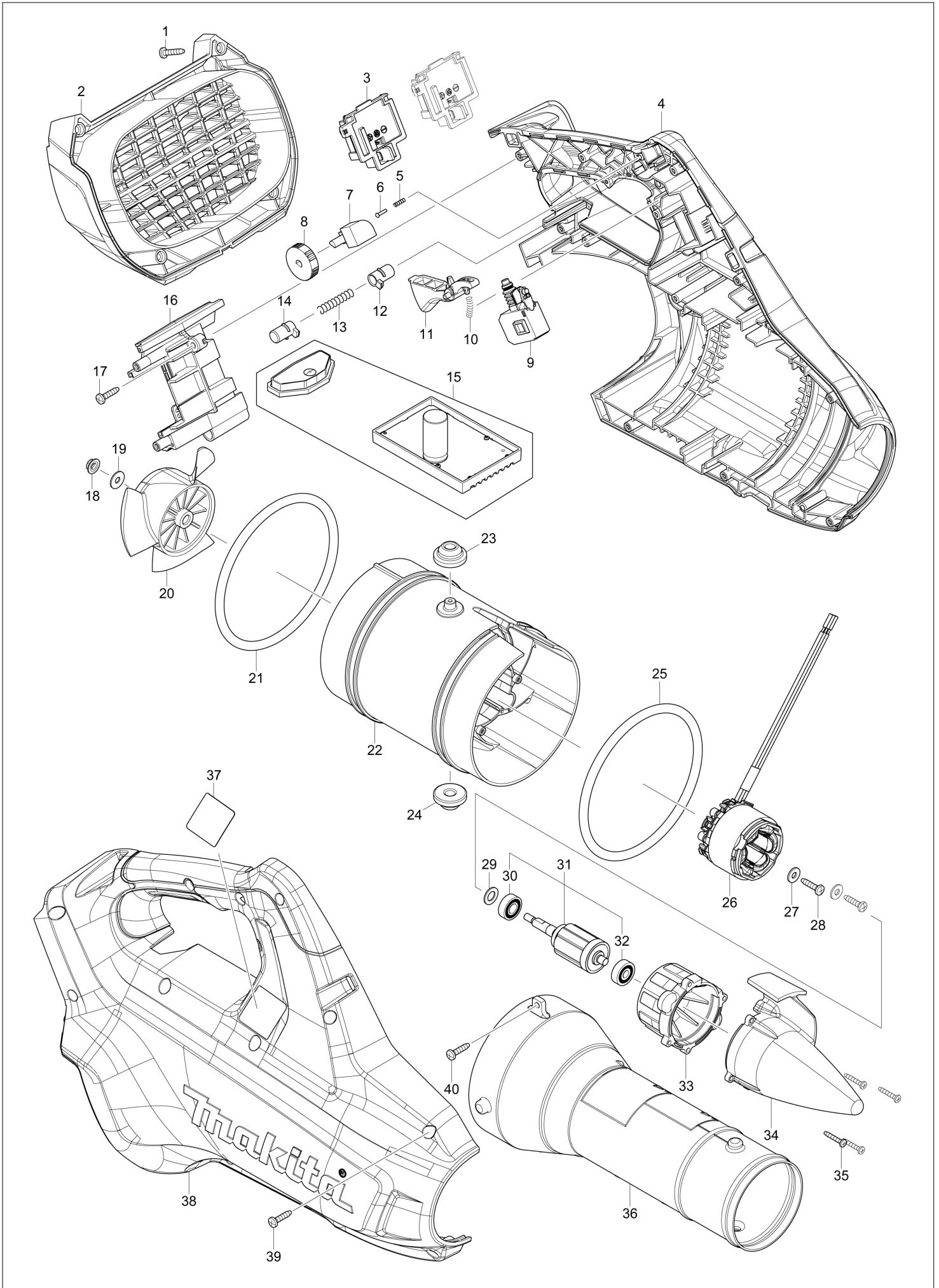
# Diagram / Parts List

**DUB362**

**CORDLESS BLOWER**



(VN) DUB362 / CORDLESS BLOWER



<b>VN</b>	<b>VIETNAM</b>
-----------	----------------

### DUB362 / CORDLESS BLOWER

Item	Sub	Parts No.	Parts Description	Qty	I/C	E/C No.	Close No.	Remark
001		266326-2	TAPPING SCREW 4X18	4				
002		455912-6	REAR COVER	1				
003		644808-8	TERMINAL	2				
004		183A81-6	HOUSING SET	1				
	C10	263005-3	RUBBER PIN 6	2				
	C20	806D81-4	CAUTION LABEL	1				
	D10		INC. 38					
005		233002-3	COMPRESSION SPRING 3	1				
006		255058-6	RIVET 2	1				
007		620415-1	SUB CONTROLLER	1				
008		271427-3	DIAL 28	1				
009		650709-0	SWITCH C3JW-1A-P	1				
010		233101-1	COMPRESSION SPRING 4	1				
011		455913-4	SWITCH LEVER	1			C4022	
011-1		458864-0	SWITCH LEVER	1	<	C4022		
012		418881-2	LOCK ON BUTTON	1				
013		233092-6	COMPRESSION SPRING 5	1				
014		418881-2	LOCK ON BUTTON	1				
015		143166-4	CONTROLLER COMPLETE	1				
016		143146-0	CENTER CASE COMPLETE	1				
	C10	263005-3	RUBBER PIN 6	2				
017		266326-2	TAPPING SCREW 4X18	2				
018		264111-7	CORNED DISK SPRING HEX.NUT M5	1			B4833	
018-1		252103-8	HEX. LOCK NUT M5-8	1	<	B4833	C9795	
018-2		252286-4	COLLARED HEX.LOCK NUT M5-8	1	S	C9795		
019		253194-2	FLAT WASHER 5	1			C9795	
020		240158-5	FAN 110	1			B4833	
020-1		240177-1	FAN 110	1	<	B4833		
021		424721-4	RUBBER RING 115	1				
022		455907-9	MOTOR HOUSING	1			D0227	
022-1		455907-9	MOTOR HOUSING	1	O	D0227		
023		424194-1	RUBBER RING 8	1				
024		424194-1	RUBBER RING 8	1			D0227	
025		424721-4	RUBBER RING 115	1				
026		629153-2	STATOR DC36V	1				
027		253184-5	FLAT WASHER 5	2			C5745	
028		266326-2	TAPPING SCREW 4X18	2			C5745	
028-1		265620-9	TAPPING SCREW FLANGE 4X18	2	S	C5745		
029		253835-0	FLAT WASHER 8	1			B4833	
030		210040-2	BALL BEARING 698LLU	1				
031		519366-2	ROTOR ASS'Y	1			B5767	
	D10		INC. 30,32				B5767	
031-1		519444-8	ROTOR ASS'Y	1	O	B5767		
	D10		INC. 30,32			B5767		
032		210022-4	BALL BEARING 626DDW	1				
033		455908-7	MOTOR HOUSING COVER	1				
034		455909-5	CAP	1			D2022	
034-1		455909-5	CAP	1	O	D2022		
035		265935-4	TAPPING SCREW 3X20	4				
036		455914-2	FRONT NOZZLE	1				
037		850U44-4	DUB362 NAME PLATE	1				
038		183A81-6	HOUSING SET	1				
	C10	263005-3	RUBBER PIN 6	2				
	C20	806D81-4	CAUTION LABEL	1				
	D10		INC. 4					
039		266326-2	TAPPING SCREW 4X18	12				
040		266326-2	TAPPING SCREW 4X18	2			A8379	
040-1		266300-0	TAPPING SCREW 4X18	2	<	A8379	C5745	
040-2		265678-8	TAPPING SCREW 4X18	2	O	C5745		
A01		166094-6	SHOULDER BELT	1		C2347		
A02		455915-0	LONG NOZZLE	1			D5482	
A02-1		455915-0	LONG NOZZLE	1	O	D5482	Y08367	
A02-2		183R02-0	LONG NOZZLE SET	1	O	Y08367		

Interchange  
O : Yes  
X : No  
< : the new part can be substituted for the current.  
> : the current part can be substituted for the new.  
S : Interchangeable as a set.