



VN	VIETNAM
----	---------

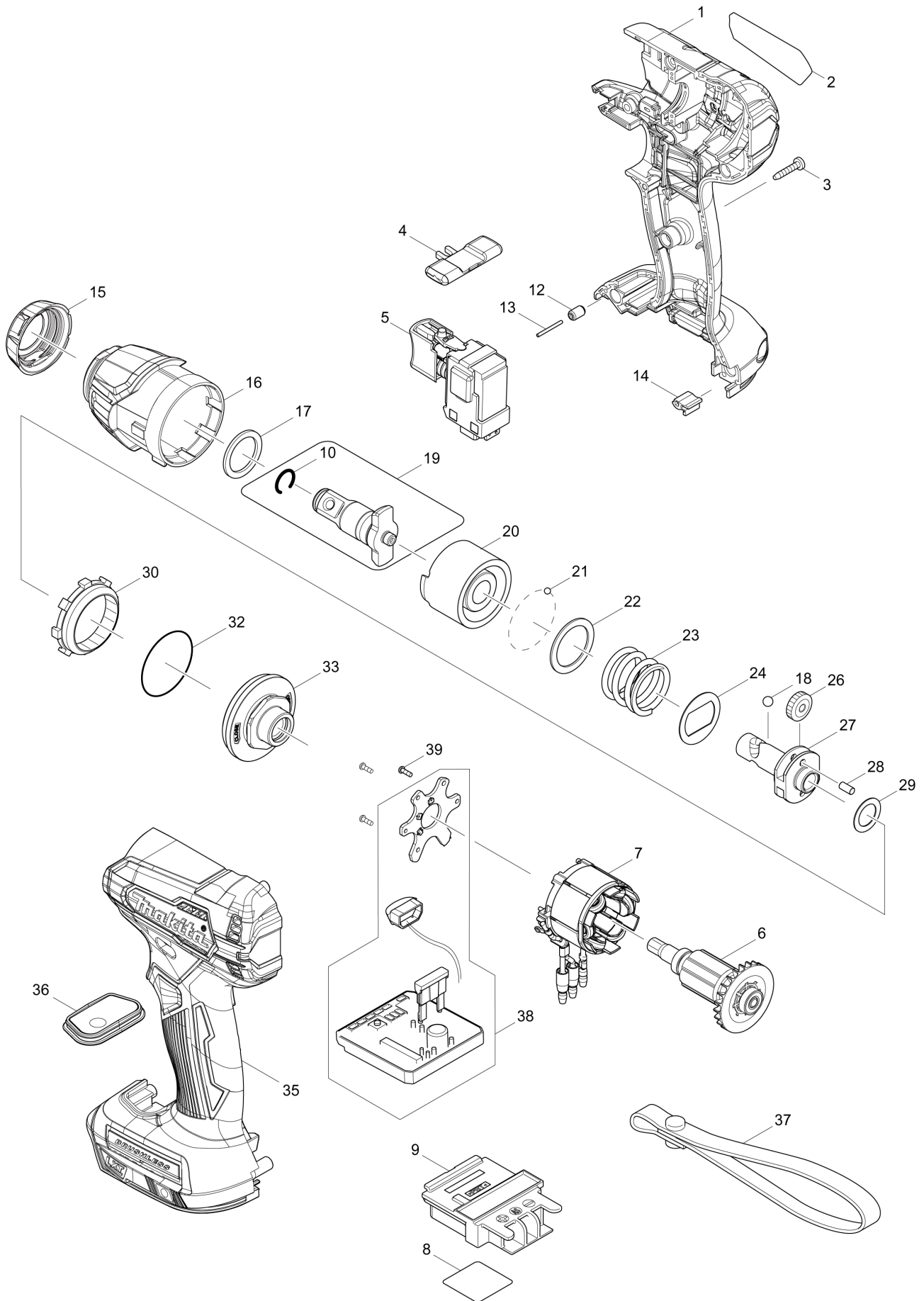
Diagram / Parts List

DTW181

CORDLESS IMPACT WRENCH



(VN) DTW181 / CORDLESS IMPACT WRENCH



VN	VIETNAM
-----------	----------------

DTW181 / CORDLESS IMPACT WRENCH

Item	Sub	Parts No.	Parts Description	Qty	I/C	E/C No.	Close No.	Remark
001		183J24-2	HOUSING SET	1				
	C10	263005-3	RUBBER PIN 6	2				
	C20	252126-6	HEX. LOCK NUT M4-7	2				
	D10		INC. 35					
002		855C45-9	DTW181 NAME PLATE	1				
003		266429-2	TAPPING SCREW 3X16	9				
004		455053-8	F/R CHANGE LEVER	1				
005		143975-1	SWITCH COMPLETE	1				
	C10	424890-1	SWITCH COVER	1				
006		619491-0	ROTOR	1			D0256	
006-1		619491-0	ROTOR	1	O	D0256		
007		629334-8	STATOR	1				
008		855C51-4	DTW181 SERIAL NO. LABEL	1				
009		643860-3	TERMINAL	1				
010		231907-1	RING SPRING 10	1				
012		263036-2	RUBBER PIN 5	1				
013		268284-8	PIN 1.5	1				
014		424517-3	CUSHION	1				
015		422407-4	BUMPER	1				
016		140E43-1	HAMMER CASE COMPLETE	1				
	C10	213207-1	O RING 16	1			C5341	
	C11	213882-3	O-RING 16	1	<	C5341		
017		261159-0	NYLON WASHER 19	1				
018		216002-8	STEEL BALL 4.8	2				
019		136030-6	ANVIL E ASSY	1				
	D10		INC. 10					
020		327200-0	HAMMER	1				
021		216019-1	STEEL BALL 3	24				
022		267352-4	FLAT WASHER 22	1				
023		232489-6	COMPRESSION SPRING 21	1				
024		267813-4	WASHER 21	1				
026		221437-0	SPUR GEAR 17	2				
027		327046-4	SPINDLE	1				
028		268217-3	PIN 3.5	2				
029		253052-2	FLAT WASHER 12	1				
030		227316-0	INTERNAL GEAR 43	1				
032		213479-8	O RING 33	1				
033		140G75-0	BEARING BOX COMPLETE	1				
	C10	213845-9	O-RING 13	1				
035		183J24-2	HOUSING SET	1				
	C10	263005-3	RUBBER PIN 6	2				
	C20	252126-6	HEX. LOCK NUT M4-7	2				
	D10		INC. 1					
036		144828-7	SWITCH PLATE COMPLETE	1				
038		620743-4	CONTROLLER	1				
039		266490-9	TAPPING SCREW PT 2X6	3				
A01		346317-0	HOOK	1				
A02		266622-8	+ TRUSS HEAD SCREW M4X12	1				
A03B		***DC18RC	DC18RC FAST CHARGER	1				
	D10		COMPO-PARTS					
A03C		***DC18RC	DC18RC FAST CHARGER	1				
	D10		COMPO-PARTS					
A04B		450128-8	BATTERY COVER	1				
A04C		450128-8	BATTERY COVER	1				
A05B		197600-6	BATTERY BL1830B SET	2			C4176	
A05C		197280-8	BATTERY BL1850B SET	2			C5219	
A05-1B		197600-6	BATTERY BL1830B SET	2	O	C4176		
A05-1C		197280-8	BATTERY BL1850B SET	2	O	C5219		
A06B		141856-3	PLASTIC CARRYING CASE COMPLETE	1				
	C10	162302-3	LATCH	2				
	C20	324207-7	SHAFT	1				
	C30	451749-9	HANDLE	1				
A06C		141856-3	PLASTIC CARRYING CASE COMPLETE	1				
	C10	162302-3	LATCH	2				
	C20	324207-7	SHAFT	1				

B:DTW181RFE(H)
C:DTW181RTE(H)

Interchange
O : Yes
X : No
< : the new part can be substituted for the current.
> : the current part can be substituted for the new.
S : Interchangeable as a set.

