



VN	VIETNAM
----	---------

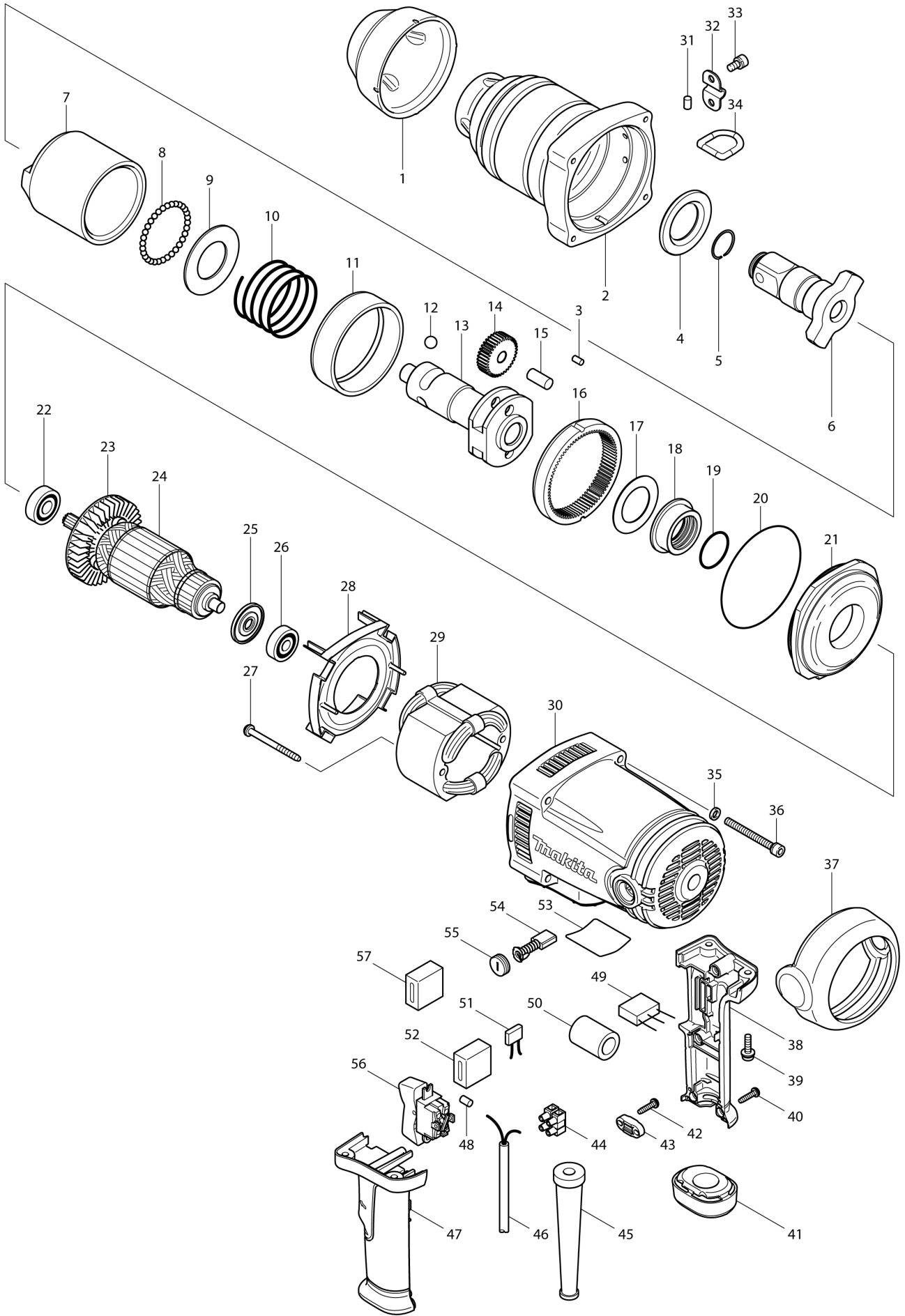
Diagram / Parts List

TW1000

IMPACT WRENCH



(VN) TW1000 / IMPACT WRENCH



VN	VIETNAM
-----------	----------------

TW1000 / IMPACT WRENCH

Item	Sub	Parts No.	Parts Description	Qty	I/C	E/C No.	Close No.	Remark
001		421895-2	FRONT BUMPER	1				
002		154555-8	HAMMER CASE COMPLETE	1				
003		256253-1	PIN 5	2				
004		253909-7	FLAT WASHER 35	1				
005		231921-7	RING SPRING 22	1				
006		325587-4	ANVIL	1				
007		325415-3	HAMMER	1				
008		216002-8	STEEL BALL 4.8	32				
009		253712-6	FLAT WASHER 36	1				
010		233428-9	COMPRESSION SPRING 45	1			86673	
010-1		231211-8	COMPRESSION SPRING 36	1	S	86673		
011		333112-7	RING 79	1				
012		216010-9	STEEL BALL 10.3	2				
013		324501-7	SPINDLE	1			86673	
013-1		324666-5	SPINDLE	1	S	86673		
014		227149-3	SPUR GEAR 37	2				
015		256051-3	PIN 10	2				
016		221815-4	INTERNAL GEAR 82	1				
017		267170-0	FLAT WASHER 34	1				
018		310154-8	BEARING BOX	1				
019		213459-4	O RING 32	1				
020		213855-6	O RING 95	1				
021		317841-0	HAMMER CASE COVER	1				
022		211137-0	BALL BEARING 6201LLU	1				
023		240003-4	FAN 80	1				
024		516918-0	ARMATURE ASS'Y 220V	1				
	D10		INC. 22,23,25,26					
025		681665-3	INSULATION WASHER	1				
026		211066-7	BALL BEARING 6200LLB	1				
027		265345-5	+ HEX. BOLT M5X60	2				
028		418814-7	BAFFLE PLATE	1				
029		526148-5	FIELD ASS'Y 220V	1				
	C10	654020-2	RING TERMINAL	2				
	C20	654502-4	CONNECTOR P-2	2				
030		154556-6	MOTOR HOUSING COMPLETE	1				
	C10	643653-8	BRUSH HOLDER 6.5-13.5	2				
031		263005-3	RUBBER PIN 6	1				
032		345517-9	PLATE	1				
033		266157-9	HEX. SOCKET HEAD BOLT M6X12	2			B9166	
033-1		922311-2	HEX. SOCKET HEAD BOLT M6X12	2	S	B9166		
034		282018-5	D-RING	1				
035		941151-9	FLAT WASHER 6	4				
036		265538-4	HEX.SOCKET HEAD BOLT M6X60	4			76313	
036-1		265538-4	HEX.SOCKET HEAD BOLT M6X60	4	<	76313		
037		421896-0	REAR BUMPER	1				
038		183935-1	HANDLE SET	1				
	D10		INC. 47					
039		911233-1	PAN HEAD SCREW M5X20	4				
040		265995-6	TAPPING SCREW 4X18	4				
041		421897-8	BUMPER	1				
042		265995-6	TAPPING SCREW 4X18	2				
043		687053-2	STRAIN RELIEF	1				
044		654531-7	TERMINAL BLOCK 2P	1				
045		682564-2	CORD GUARD	1				
046		691015-4	POWER SUPPLY CORD 0.75-2-2.5	1				
047		183935-1	HANDLE SET	1				
	D10		INC. 38					
048		263005-3	RUBBER PIN 6	1				
052		685725-3	SPONGE SHEET	1				
053		861265-7	TW1000 NAME PLATE	1				
054		A-81240	CARBON BRUSH CB-153A	1			83185	
054-1		B-80117	CARBON BRUSH SET CB-153A	1	O	83185	85070	
054-2		B-80329	CARBON BRUSH SET CB-153A	1	<	85070		
055		643650-4	BRUSH HOLDER CAP 6.5-13.5	2			B0305	
055-1		643650-4	BRUSH HOLDER CAP 6.5-13.5	2	O	B0305		

Interchange
O : Yes
X : No
< : the new part can be substituted for the current.
> : the current part can be substituted for the new.
S : Interchangeable as a set.

