



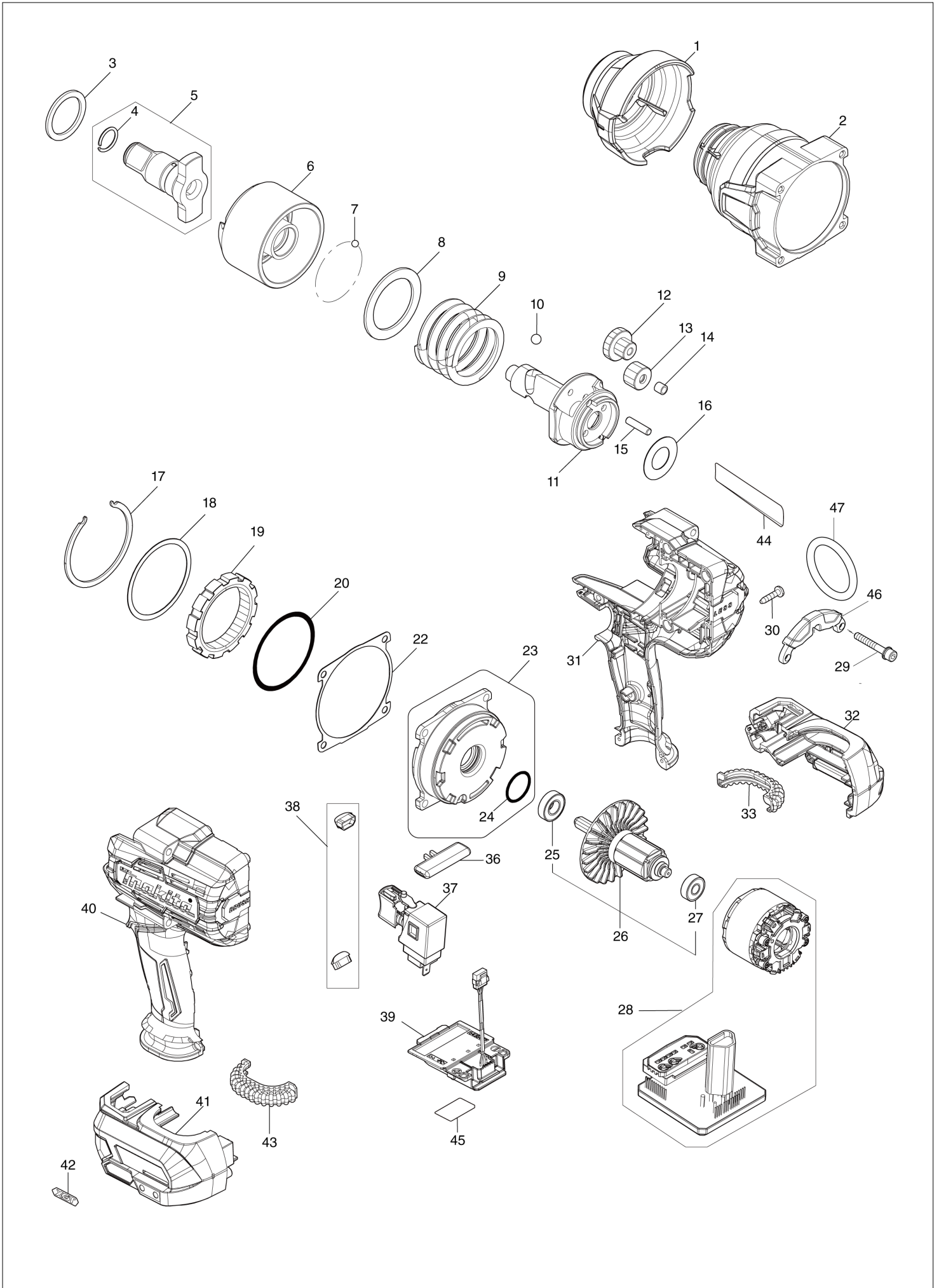
VN	VIETNAM
----	---------

Diagram / Parts List

TW001G

CORDLESS IMPACT WRENCH

(VN) TW001G / CORDLESS IMPACT WRENCH



VN	VIETNAM
-----------	----------------

TW001G / CORDLESS IMPACT WRENCH

Item	Sub	Parts No.	Parts Description	Qty	I/C	E/C No.	Close No.	Remark
001		422594-9	BUMPER	1				
002		140T99-4	HAMMER CASE COMPLETE	1				
003		267250-2	FLAT WASHER 30	1				
004		232334-5	RING SPRING 16	1				
005		136249-7	ANVIL E ASS'Y	1				
	D10		INC. 4					
006		327595-1	HAMMER	1				
007		216002-8	STEEL BALL 4.8	30				
008		253478-8	FLAT WASHER 41	1				
009		232623-8	COMPRESSION SPRING 41	1				
010		216009-4	STEEL BALL 7.1	2				
011		327594-3	SPINDLE	1				
012		226990-1	SPUR GEAR 11-22	2				
013		226989-6	SPUR GEAR 15	2			DA671	
013-1		227935-2	SPUR GEAR 15	2	S	DA671		
014		257539-6	SLEEVE 5	2			DA671	
015		268238-5	PIN 5	4				
016		267235-8	FLAT WASHER 18	1				
017		346947-7	RETAINER	1				
018		253479-6	FLAT WASHER 57	1				
019		226991-9	INTERNAL SPUR GEAR 50	1				
020		213663-5	O RING 55	1				
022		422595-7	GASKET	1				
023		136279-8	INTERNAL GEAR CASE ASS'Y	1				
	D10		INC. 24					
024		213961-7	O RING 22	1				
025		210069-8	BALL BEARING 6900DDW	1				
026		519630-1	ROTOR ASSY	1				
	D10		INC. 25,27					
027		211022-7	BALL BEARING 607ZZ	1				
028		629A16-8	STATOR UNIT	1				
	C10	8012S9-8	SWITCH LABEL	1				
029		265B38-6	H. S. HEAD BOLT M5X50 WITH WRM	4				
030		266326-2	TAPPING SCREW 4X18	9				
031		183P61-2	HOUSING SET	1				
	D10		INC. 40					
032		183P62-0	BATTERY HOUSING SET	1			N14628	
	C10	263005-3	RUBBER PIN 6	2			N14628	
	C20	252126-6	HEX. LOCK NUT M4-7	4			N14628	
	D10		INC. 41				N14628	
032-1		183S33-5	BATTERY HOUSING SET	1	S	N14628		
	C10	263005-3	RUBBER PIN 6	2		N14628		
	C20	252126-6	HEX. LOCK NUT M4-7	4		N14628		
	D10		INC. 41			N14628		
033		424773-5	CUSHION RUBBER	1			DC149	
033-1		422810-9	CUSHION RUBBER	1	<	DC149		
034A		268284-8	PIN 1.5	1			D4478	
034B		268284-8	PIN 1.5	1			D4478	
035A		263036-2	RUBBER PIN 5	1			D4478	
035B		263036-2	RUBBER PIN 5	1			D4478	
036		456268-0	F/R CHANGE LEVER	1				
037		140U03-9	SWITCH COMPLETE	1				
	C10	424774-3	SWITCH COVER	1				
038		620D09-6	LED CIRCUIT	1				
039		632P49-4	TERMINAL UNIT	1				
040		183P61-2	HOUSING SET	1				
	D10		INC. 31					
041		183P62-0	BATTERY HOUSING SET	1			N14628	
	C10	263005-3	RUBBER PIN 6	2			N14628	
	C20	252126-6	HEX. LOCK NUT M4-7	4			N14628	
	D10		INC. 32				N14628	
041-1		183S33-5	BATTERY HOUSING SET	1	S	N14628		
	C10	263005-3	RUBBER PIN 6	2		N14628		
	C20	252126-6	HEX. LOCK NUT M4-7	4		N14628		
	D10		INC. 32			N14628		

A:TW001GZ(N)
 B:TW001GM201(H)
 C:TW001GM204(H)
 D:TW001GZ02(N)

Interchange
 O : Yes
 X : No
 < : the new part can be substituted for the current.
 > : the current part can be substituted for the new.
 S : Interchangeable as a set.

